



## Parts Manual

Revision C For Serial numbers  $\geq$  KS-115004  
For Machines Built after 01/07/2014

Kelly Engineering  
PO Box 100  
Boomeroo Centre SA 5482  
Australia

Phone: + 61 8 8667 2253

Fax: + 61 8 8667 2250

Email: [office@kellyengineering.com.au](mailto:office@kellyengineering.com.au)

Website (US): [www.kellyharrows.com](http://www.kellyharrows.com)

Website (Australia): [www.kellyengineering.com.au](http://www.kellyengineering.com.au)



## Thank you for choosing a Kelly Engineering product

We trust the following manual should be clear and easy to follow, however feel free to contact our company for customer support.  
(details below)

Should you have any problems or wish to suggest any improvements or modifications that would help to improve our products please contact us.  
We welcome feedback.

Parts can be purchased when required through your local dealer, or by contacting either Kelly Engineering in Australia or in the US, Hood & Company Inc.

### **Kelly Engineering**

**Phone:** + 61 8 8667 2253

**Fax:** + 61 8 8667 2250

**Email:** [office@kellyengineering.com.au](mailto:office@kellyengineering.com.au)

**Website (Australia):** [www.kellyengineering.com.au](http://www.kellyengineering.com.au)

**Website (US):** [www.kellyharrows.com](http://www.kellyharrows.com)

### **Hood & Company Inc Springfield MO**

**Phone:** 417 865 2100

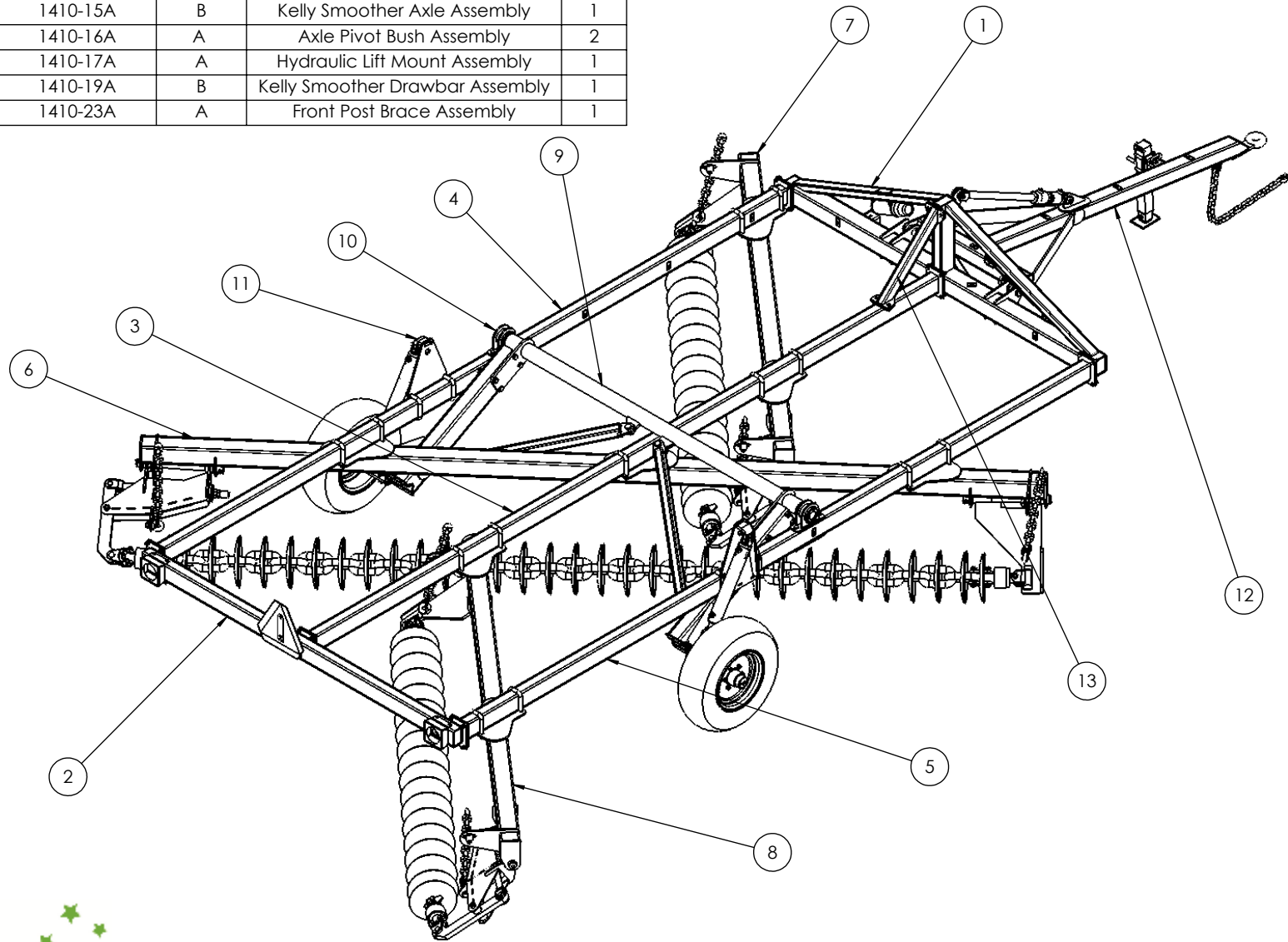
**Fax:** 417 865 2105

**Email:** [hoodco@hoodco.com](mailto:hoodco@hoodco.com)

# Kelly Smoother Parts Index

1. 1410-100 (Kelly Smoother)
2. 1410-01A (Kelly Smoother Front Assembly)
3. 1410-02A (Kelly Smoother Rear Assembly)
4. 1410-06A (Kelly Smoother Long Module Assembly)
5. 0802-PCHB55 (20mm Bolt Swivel Unit)
6. 0810-103FA-40-45 (40/45' Front Module Tension Assembly)
7. 1410-07A (Kelly Smoother Short Front Module Assembly)
8. 0810-103RA-40-45 (40/45' Rear Module Tension Assembly)
9. 1410-08A (Kelly Smoother Short Rear Assembly)
10. 1410-15A (Kelly Smoother Axle Assembly)
11. 0733-K5083T66S (Axle 2"R 3T 6 on 6" PCD 330 OHF)
12. 1410-16A (Axle Pivot Bush Assembly)
13. 1410-17A (Hydraulic Lift Mount Assembly)
14. 0311-2516 (2.5" Bore x 16" Stroke Hydraulic Cylinder)
- 15.1410-19A (Kelly Smoother Drawbar Assembly)
- 16.0311-2506EXT (2.5" Bore x 6" Stroke Extended Cylinder)
- 17.1402-16 (Safety Chain Assembly)
- 18.1410-24A (Jack Assembly 1500Kg)
- 19.1410-23A (Front Post Brace Assembly)
- 20.1402-HK (Kelly Smoother Hydraulic Kit)
- 21.1402-HK (Kelly Smoother Hydraulic Detail A-C)
- 22.1402-HK (Kelly Smoother Hydraulic Detail D-E)
- 23.1402-LK (Kelly Smoother Light Kit)
- 24.1402-LK (Kelly Smoother Light Kit Detail A-D)
- 25.1402-DK (Kelly Smoother Decal Kit)

ITEM NO.	PART NUMBER	Revision	DESCRIPTION	QTY.
1	1410-01A	A	Kelly Smoother Front Assembly	1
2	1410-02A	A	Kelly Smoother Rear Assembly	1
3	1410-03C	C-0	Kelly Smoother Rail Centre	1
4	1410-03LH	C-0	Kelly Smoother Rail Left Hand	1
5	1410-03RH	C-0	Kelly Smoother Rail Right Hand	1
6	1410-06A	A	Kelly Smoother Long Module Assembly	1
7	1410-07A	A	Kelly Smoother Short Front Module Assembly	1
8	1410-08A	A	Kelly Smoother Short Rear Module Assembly	1
9	1410-15A	B	Kelly Smoother Axle Assembly	1
10	1410-16A	A	Axle Pivot Bush Assembly	2
11	1410-17A	A	Hydraulic Lift Mount Assembly	1
12	1410-19A	B	Kelly Smoother Drawbar Assembly	1
13	1410-23A	A	Front Post Brace Assembly	1



Part Number  
**1410 - 100**

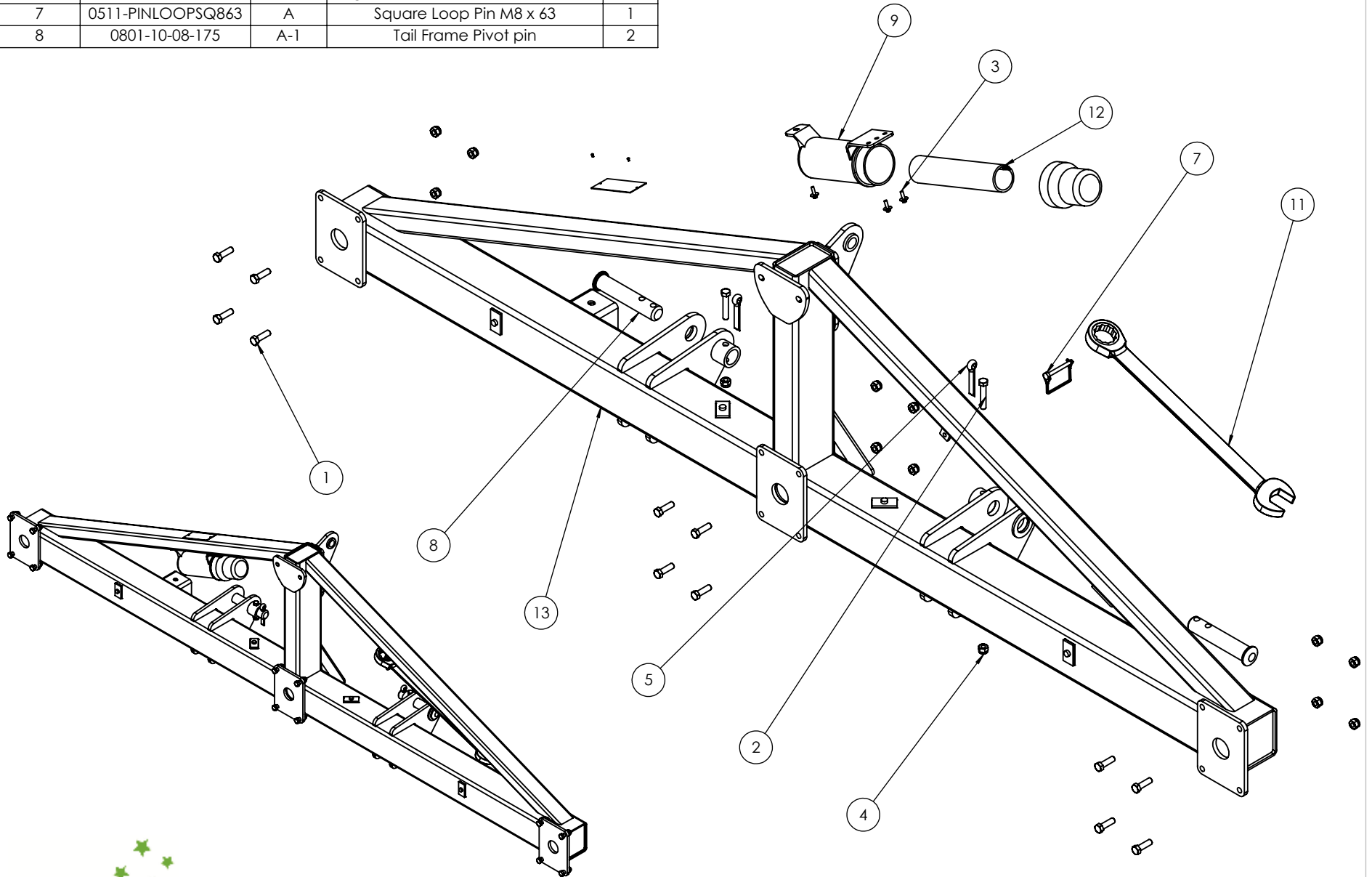
Description  
**Kelly Smoother**

For Machines Built:  
01/07/2014 (KS-115004)

Revision  
**C**

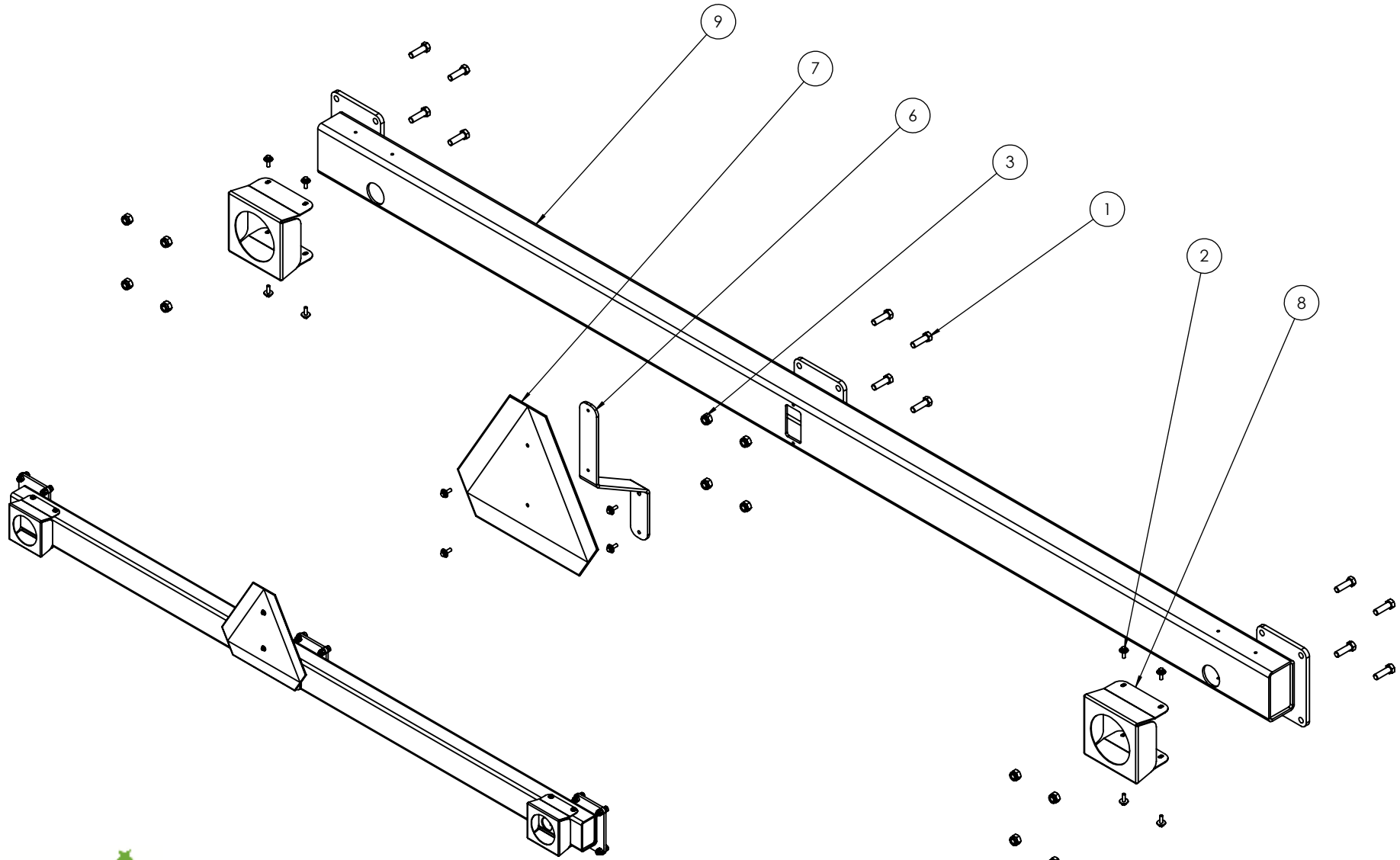
ITEM NO.	PART NUMBER	Revision	DESCRIPTION 2	QTY.
1	0211-1240	A	M12 x 40 grade 8.8 ZP Bolt	12
2	0211-1265	A	M12 x 65 grade 8.8 ZP Bolt	2
3	0211-M620MZPHTF		M6 x 20 Trilobe self tapping ScREW	3
4	0221-NYL12		Nyloc Nut M12	14
5	0261-PINC1363		Cotter Pin M13 x 63	2
6	0271-4X316UDS		4g x 3/16 U Hammer Drive Screw	2
7	0511-PINLOOPSQ863	A	Square Loop Pin M8 x 63	1
8	0801-10-08-175	A-1	Tail Frame Pivot pin	2

ITEM NO.	PART NUMBER	Revision	DESCRIPTION 2	QTY.
9	0801-OMC-1	A	Operator Manual Cannister	1
10	0801-SDP-X		Data Plate, Kelly Smoother	1
11	0802-GW1 3-4	A	Gear Wrench 1 3/4"	1
12	1401-OPMAN	A	Kelly Smoother Operating Instruction Manual	1
13	1410-01	C-0	Kelly Smoother Front Frame	1



Part Number <b>1410-01A</b>	Description <b>Kelly Smoother Front Assembly</b>	For Machines Built: 01/07/2014 (KS-115004)-	Revision <b>A</b>
--------------------------------	---	--	----------------------

ITEM NO.	PART NUMBER	Revision	DESCRIPTION	QTY.
1	0211-1240	A	M12 x 40 grade 8.8 ZP Bolt	12
2	0211-M620MZPHTF		M6 x 20 Trilobe self tapping ScREW	12
3	0221-NYL12		Nyloc Nut M12	12
6	0800-195.1	B	SMV Sign Bracket	1
7	0801-FBSMVTUF	A	Slow Moving Vehical Sign	1
8	1400-046	A-0	Light Bracket	2
9	1410-02	C-0	Kelly Smoother Rear Frame	1



Part Number

**1410-02A**

Description

**Kelly Smoother Rear Assembly**

For Machines Built:

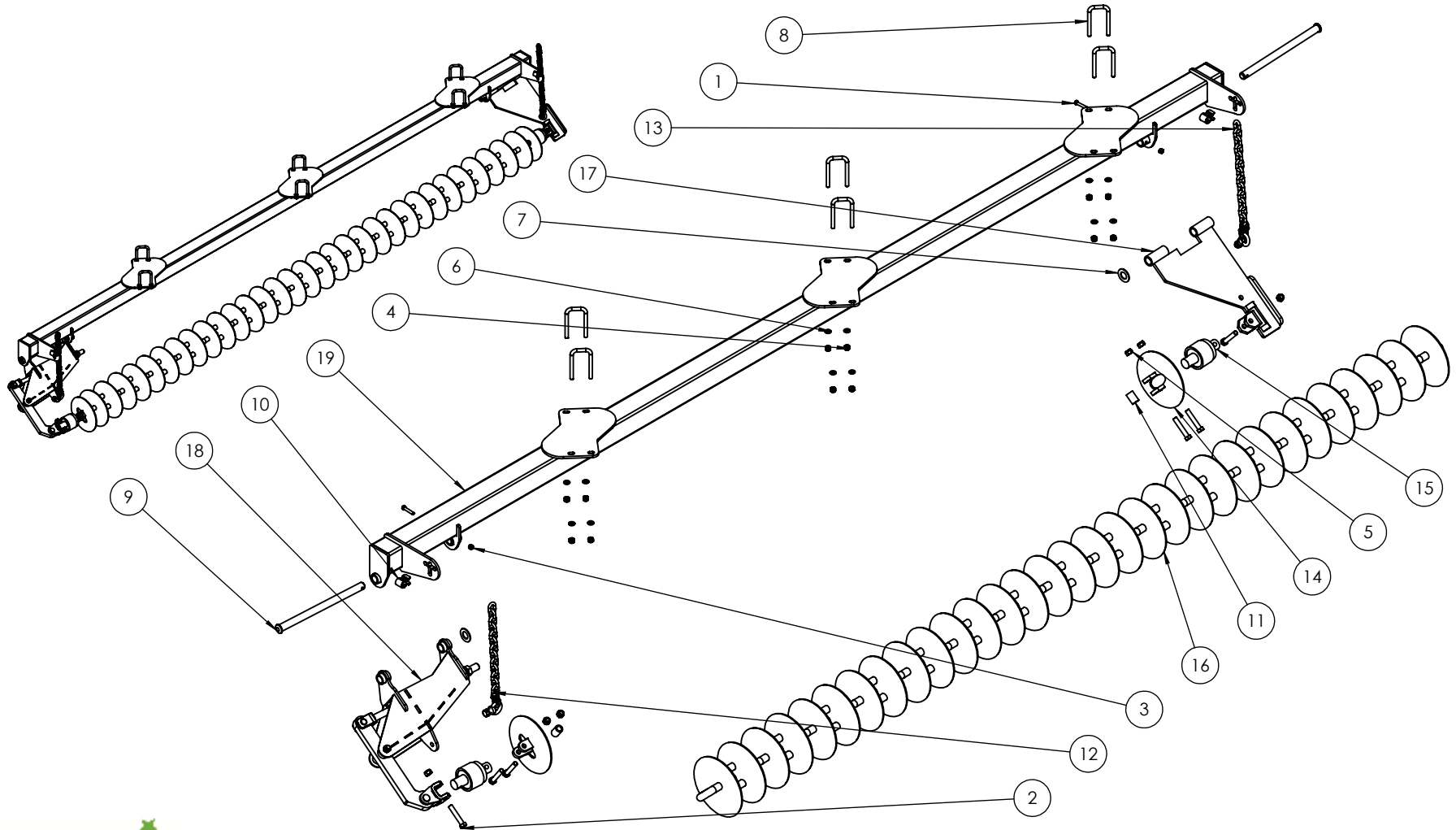
01/07/2014 (KS-115004) -

Revision

**A**

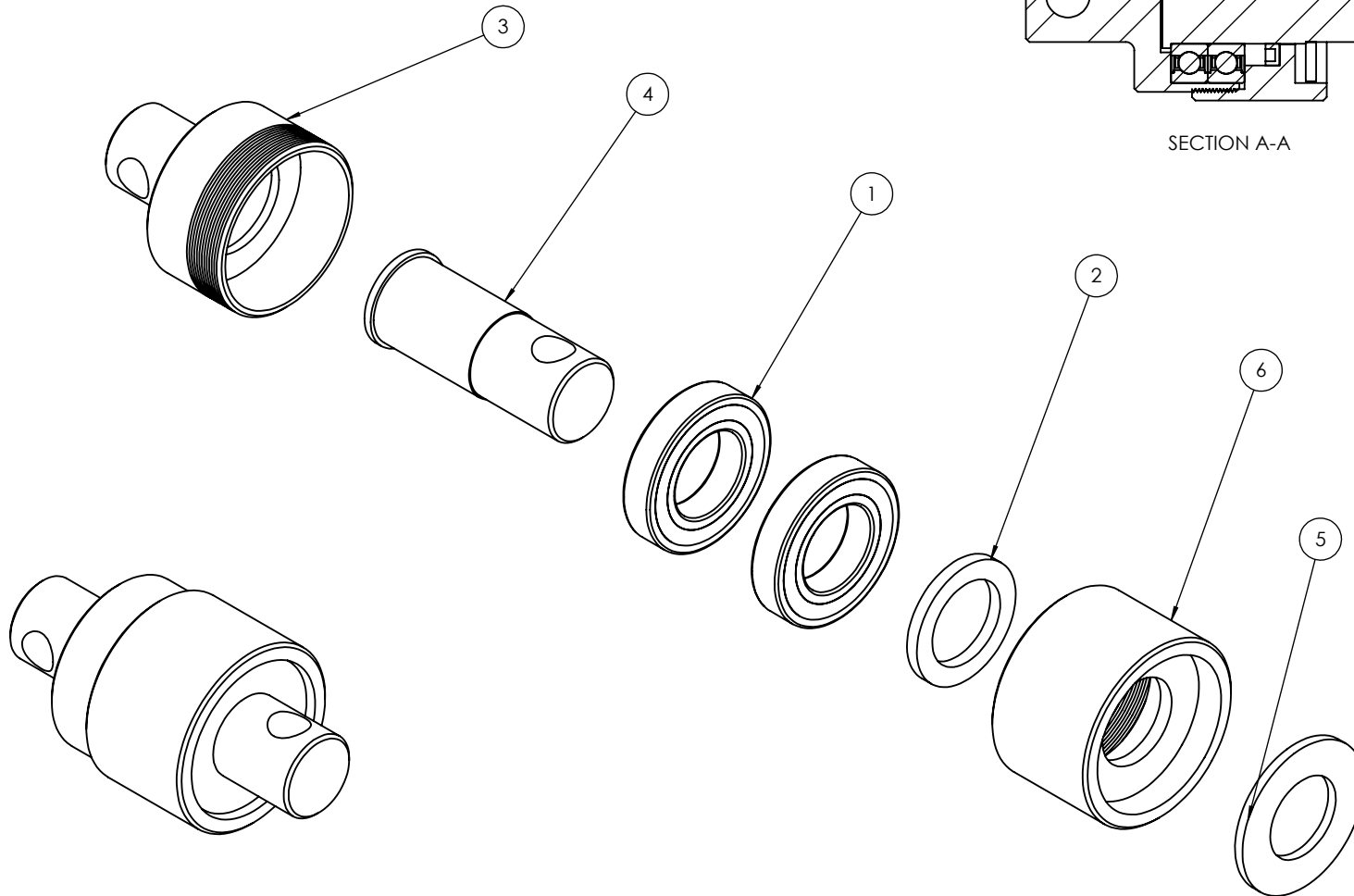
ITEM NO.	PART NUMBER	Revision	DESCRIPTION	QTY.
1	0211-1265	A	M12 x 65 grade 8.8 ZP Bolt	2
2	0211-201 10 ST	A	M20 x 110 grade 10.9 ZP Short Thread Bolt	6
3	0221-NYL12		Nyloc Nut M12	2
4	0221-NYL16		Nyloc Nut M16	12
5	0221-NYL20		Nyloc Nut M20	6
6	0231-F16		Washer Flat M16	12
7	0232-HT13-8		Washer High Tensile 1 3/8"	2
8	0271-1616077	A	U-Bolt M16 x 160 Deep X 77 Wide	6
9	0801-10-51	A	Chain Mount Pivot Pin	2
10	0801-KE014	B	Height Adjustor Retaining Clip	2

ITEM NO.	PART NUMBER	Revision	DESCRIPTION	QTY.
11	0801-PCDCS55	A	Tie Plate Bush	2
12	0801-PCH24MCA	A	Height Adjusting Chain Assembly	1
13	0801-PCH24MCA	A	Height Adjusting Chain Assembly	1
14	0802-DCTP-20	A	Disc Chain Tie Plate Link 20mm	2
15	0802-PCHB55	A	20mm Bolt Swivel Unit	2
16	0803-W36	A	W36/25 Chain Link	31
17	0810-20	B	Chain Mt Arm	1
18	0810-103FA-40-45	B	40/45' Front Module Tension Assembly	1
19	1410-06	B-0	Kelly Smoother Long Module Beam	1



Part Number <b>1410-06A</b>	Description Kelly Smoother Long Module Assembly	For Machines Built: 01/07/2014 (KS-115004) -	Revision <b>A</b>
--------------------------------	--	---	----------------------

ITEM NO.	PART NUMBER	Revision	DESCRIPTION	QTY.
1	0112-6211		Bearing 6211 2RS	2
2	0121-TC5588		TC Seal 55mm x 80mm x 8mm	1
3	0801-PCHB55H	A	Housing to Suit PCHB55 Swivel	1
4	0801-PCHB55S	A	Shaft To Suit PCHB55 Swivel	1
5	0801-PCHB55WA	A	Washer To Suit PCHB55 Swivel	1
6	0801-PCHB55C	A	Cap To Suit PCHB55 Swivel	1



Part Number  
**0802-PCHB55**

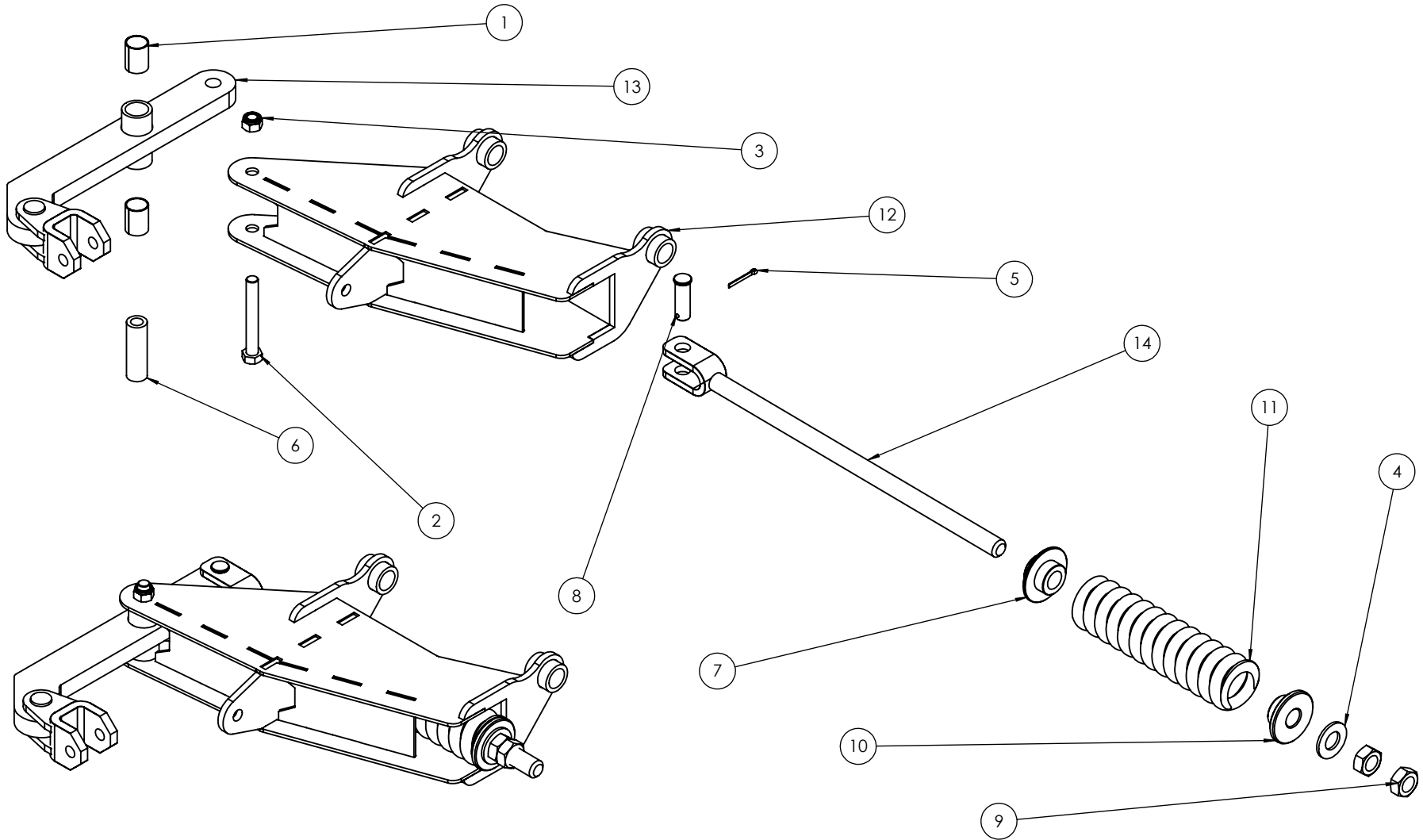
Description  
**20mm Bolt Swivel Unit**

For Machines Built:  
2002-

Revision  
**A**



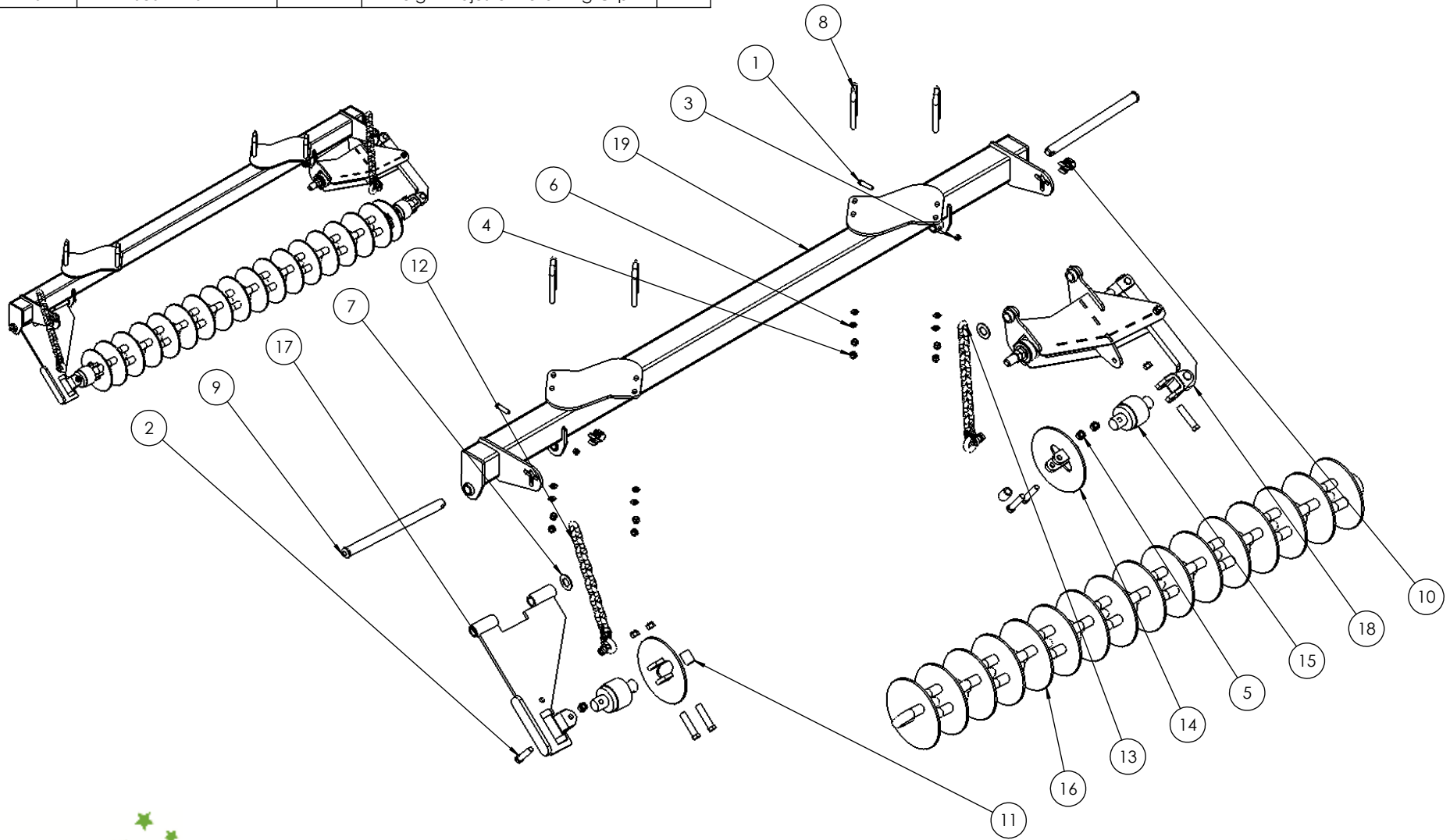
ITEM NO.	PART NUMBER	Revision	DESCRIPTION	QTY.	ITEM NO.	PART NUMBER	Revision	DESCRIPTION	QTY.
1	0113-MB 3550DX	A	35 ID x 50mm DX Bush	2	8	0801-KE0307-1	A	Clevis Pin 25mm x 75mm	1
2	0211-20150	A	M20 x 150 grade 8.8 ZP Bolt	1	9	0801-PCHTA-N6	B	ACME Lock Nut 1 1/4 - 5NA - 2G	2
3	0221-NYL20		Nyloc Nut M20	1	10	0801-PCHTA-SB	B	Steel Spring Retaining Bush	1
4	0232-HT11-4		Washer High Tensile 1 1/4"	1	11	0801-XK9261S	A	20mm Compression Spring	1
5	0261-PINC550	A	Cotter Pin M5 x 50	1	12	0810-103F	C	Front Module Tension Body	1
6	0801-10-110	B	Module Pivot Arm Bush	1	13	0810-104-40-45	B	40/45' Module Tension Arm	1
7	0801-10-S2L	A	Rigid Spring Locator	1	14	0810-105	C	Module Tension Linkage	1



Part Number <b>0810-103FA-40-45</b>	Description 40/45' Front Module Tension Assembly	For Machines Built: 10/3/10 (10016-45R)-	Revision <b>B</b>
--	---	---	----------------------

ITEM NO.	PART NUMBER	Revision	DESCRIPTION	QTY.
1	0211-1265	A	M12 x 65 grade 8.8 ZP Bolt	2
2	0211-20110 ST	A	M20 x 110 grade 10.9 ZP Short Thread Bolt	6
3	0221-NYL12		Nyloc Nut M12	2
4	0221-NYL16		Nyloc Nut M16	8
5	0221-NYL20		Nyloc Nut M20	6
6	0231-F16		Washer Flat M16	8
7	0232-HT13-8		Washer High Tensile 1 3/8"	2
8	0271-1616077	A	U-Bolt M16 x 160 Deep X 77 Wide	4
9	0801-10-51	A	Chain Mount Pivot Pin	2
10	0801-KE014	B	Height Adjustor Retaining Clip	2

ITEM NO.	PART NUMBER	Revision	DESCRIPTION	QTY.
11	0801-PCDCS55	A	Tie Plate Bush	2
12	0801-PCH24MCA	A	Height Adjusting Chain Assembly	1
13	0801-PCH24MCA	A	Height Adjusting Chain Assembly	1
14	0802-DCTP-20	A	Disc Chain Tie Plate Link 20mm	2
15	0802-PCHB55	A	20mm Bolt Swivel Unit	2
16	0803-W36	A	W36/25 Chain Link	16
17	0810-20	B	Chain Mt Arm	1
18	0810-103RA-40-45	B	40-45' Rear Module Tension Assembly	1
19	1410-07	B-0	Kelly Smoother Short Front Module	1



Part Number

**1410-07A**

Description

Kelly Smoother Short Front Module Assembly

For Machines Built:

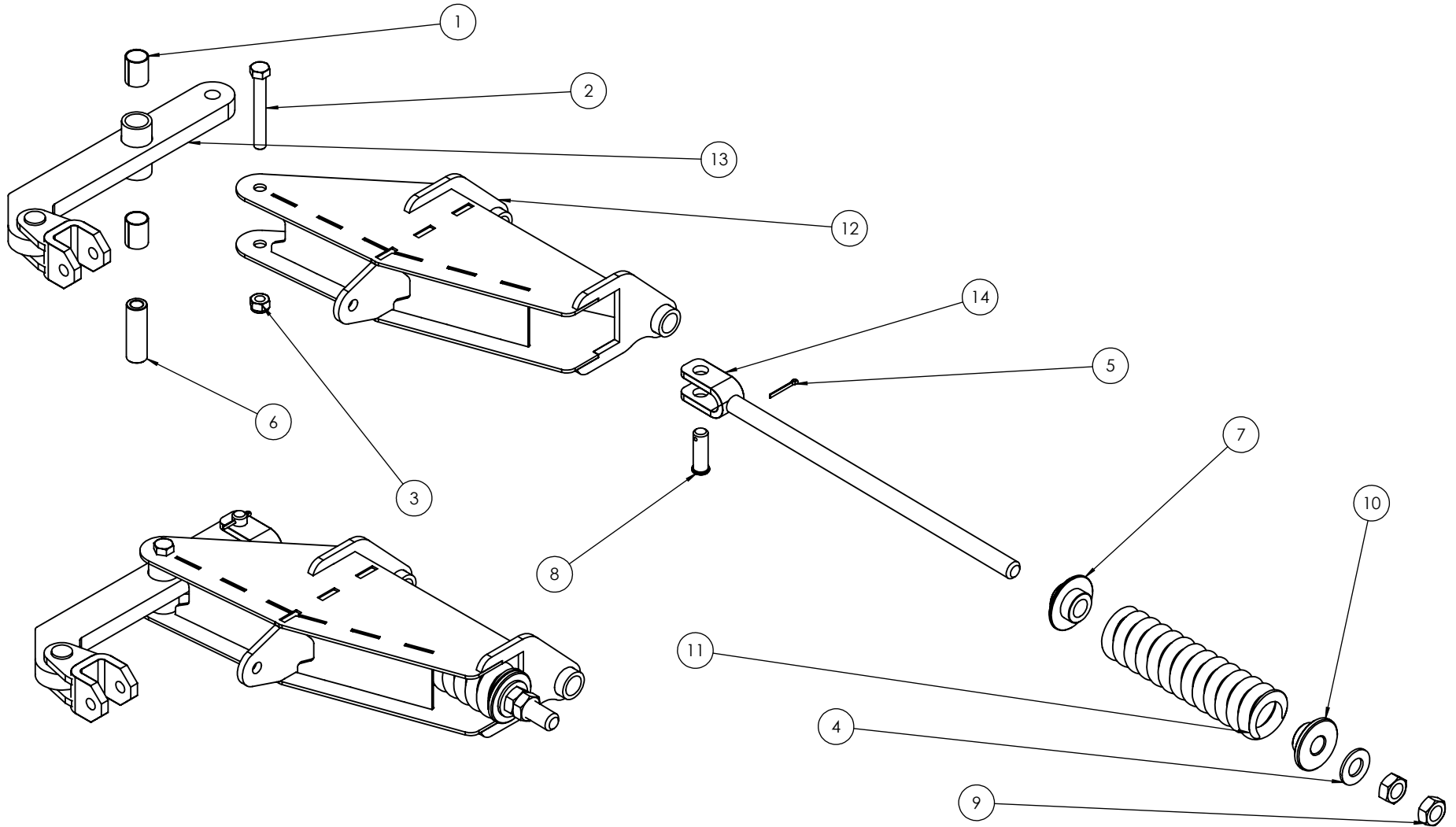
01/07/2014 (KS-115004) -

Revision

**A**

ITEM NO.	PART NUMBER	Revision	DESCRIPTION	QTY.
1	0113-MB 3550DX	A	35 ID x 50mm DX Bush	2
2	0211-20150	A	M20 x 150 grade 8.8 ZP Bolt	1
3	0221-NYL20		Nyloc Nut M20	1
4	0232-HT11-4		Washer High Tensile 1 1/4"	1
5	0261-PINC550	A	Cotter Pin M5 x 50	1
6	0801-10-110	B	Module Pivot Arm Bush	1
7	0801-10-S2L	A	Rigid Spring Locator	1

ITEM NO.	PART NUMBER	Revision	DESCRIPTION	QTY.
8	0801-KE0307-1	A	Clevis Pin 25mm x 75mm	1
9	0801-PCHTA-N6	B	ACME Lock Nut 1 1/4 - 5NA - 2G	2
10	0801-PCHTA-SB	B	Steel Spring Retaining Bush	1
11	0801-XK9261S	A	20mm Compression Spring	1
12	0810-103R	C	Rear Module Tension Body	1
13	0810-104-40-45	B	40/45' Module Tension Arm	1
14	0810-105	C	Module Tension Linkage	1



Part Number  
**0810-103RA-40-45**

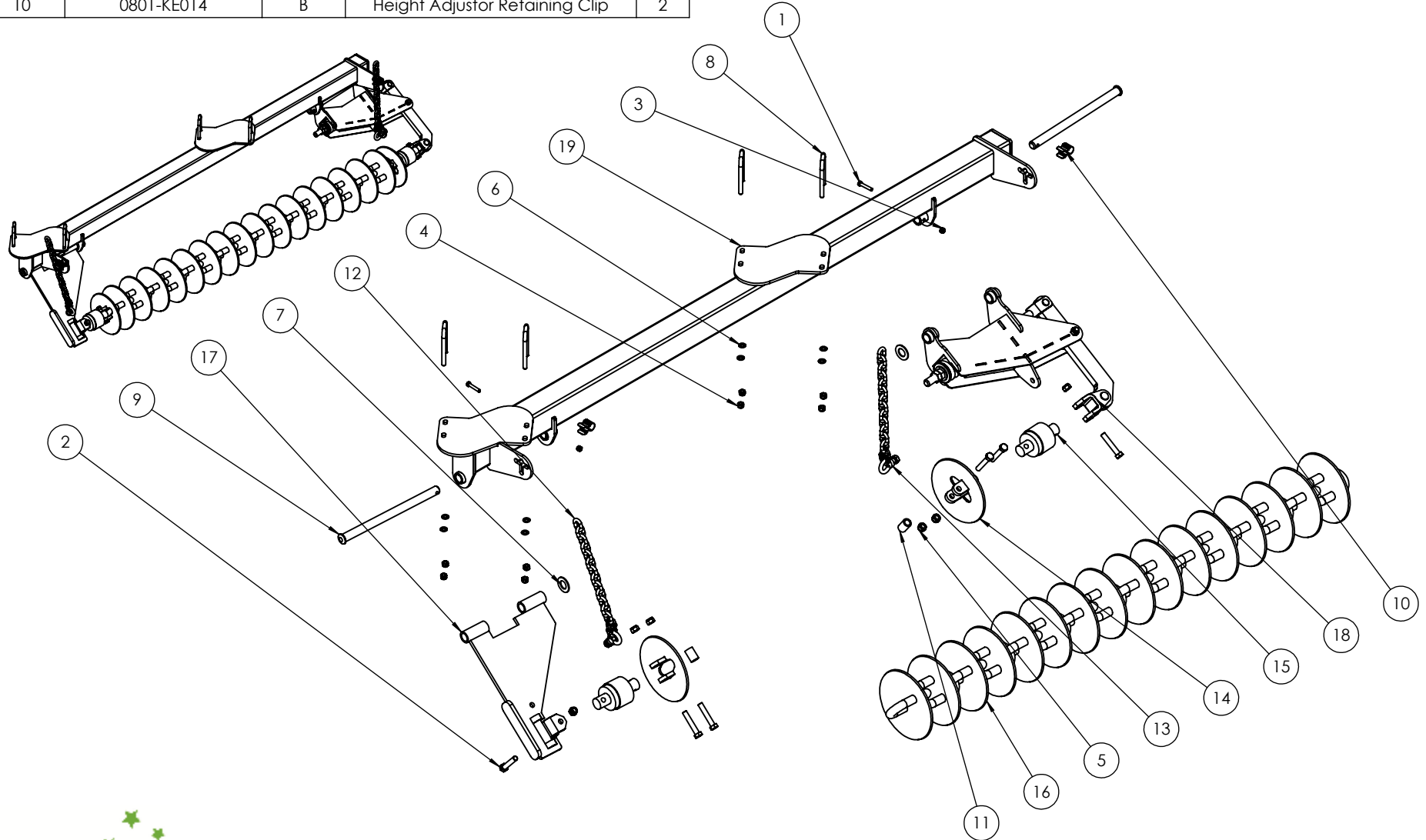
Description  
**40-45' Rear Module Tension Assembly**

For Machines Built:  
10/3/10 (10016-45R)-

Revision  
**B**

ITEM NO.	PART NUMBER	Revision	DESCRIPTION	QTY.
1	0211-1265	A	M12 x 65 grade 8.8 ZP Bolt	2
2	0211-20110 ST	A	M20 x 110 grade 10.9 ZP Short Thread Bolt	6
3	0221-NYL12		Nyloc Nut M12	2
4	0221-NYL16		Nyloc Nut M16	8
5	0221-NYL20		Nyloc Nut M20	6
6	0231-F16		Washer Flat M16	8
7	0232-HT13-8		Washer High Tensile 1 3/8"	2
8	0271-1616077	A	U-Bolt M16 x 160 Deep X 77 Wide	4
9	0801-10-51	A	Chain Mount Pivot Pin	2
10	0801-KE014	B	Height Adjustor Retaining Clip	2

ITEM NO.	PART NUMBER	Revision	DESCRIPTION	QTY.
11	0801-PCDCS55	A	Tie Plate Bush	2
12	0801-PCH24MCA	A	Height Adjusting Chain Assembly	1
13	0801-PCH24MCA	A	Height Adjusting Chain Assembly	1
14	0802-DCTP-20	A	Disc Chain Tie Plate Link 20mm	2
15	0802-PCHB55	A	20mm Bolt Swivel Unit	2
16	0803-W36	A	W36/25 Chain Link	16
17	0810-20	B	Chain Mt Arm	1
18	0810-103RA-40-45	B	40-45' Rear Module Tension Assembly	1
19	1410-08	B-0	Kelly Smoother Short Rear Module	1



Part Number

**1410-08A**

Description

Kelly Smoother Short Rear Module Assembly

For Machines Built:

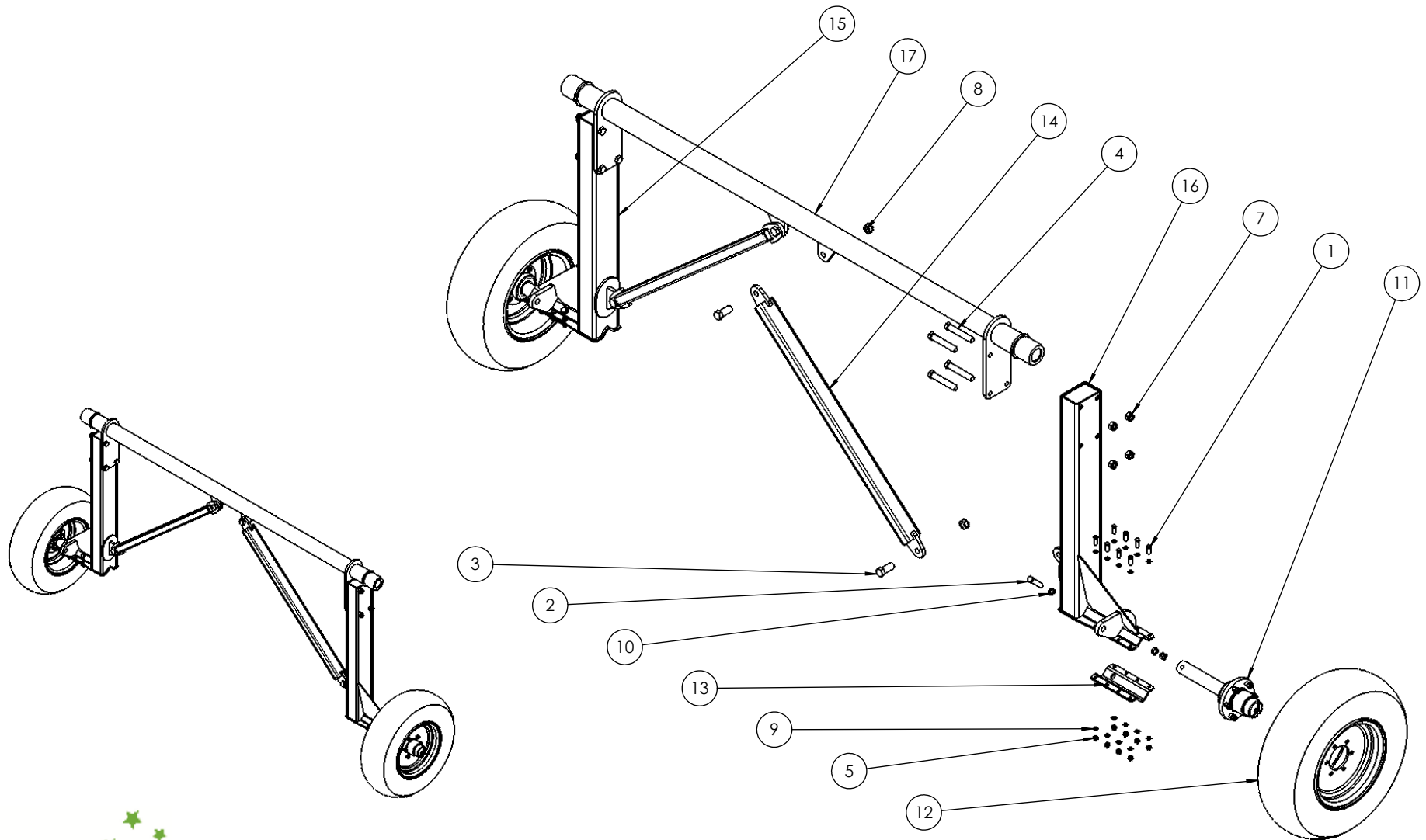
01/07/2014 (KS-115004) -

Revision

**A**

ITEM NO.	PART NUMBER	Revision	DESCRIPTION	QTY.
1	0211-1035	A	M10 x 30 grade 8.8 ZP Bolt	16
2	0211-1690	A	M16 x 90 grade 8.8 zp Bolt	2
3	0211-2465		M24 x 65 grade 8.8 zp Bolt	4
4	0211-20140	A	M20 x 140 grade 8.8 ZP Bolt	8
5	0221-NYL10		Nyloc Nut M10	16
6	0221-NYL16		Nyloc Nut M16	2
7	0221-NYL20		Nyloc Nut M20	8
8	0221-NYL24		Nyloc Nut M24	4
9	0231-F10		Washer Flat M10	32

ITEM NO.	PART NUMBER	Revision	DESCRIPTION	QTY.
10	0231-F16		Washer Flat M16	4
11	0733-K5083T66S	A	Axle 2"R 3T 6 on 6" PCD 330 OHF	2
12	0751-11L15	A	11L15F3 Tyre on Rim	2
13	1400-055	A-0	Axle Clamp Plate	2
14	1410-13	A-0	Kelly Smoother Axle Brace Arm	2
15	1410-14LH	B-0	Kelly Smoother LH Axle Arm	1
16	1410-14RH	B-0	Kelly Smoother RH Axle Arm	1
17	1410-15	B-0	Kelly Smoother Axle Beam	1



Part Number

**1410-15A**

Description

**Kelly Smoother Axle Assembly**

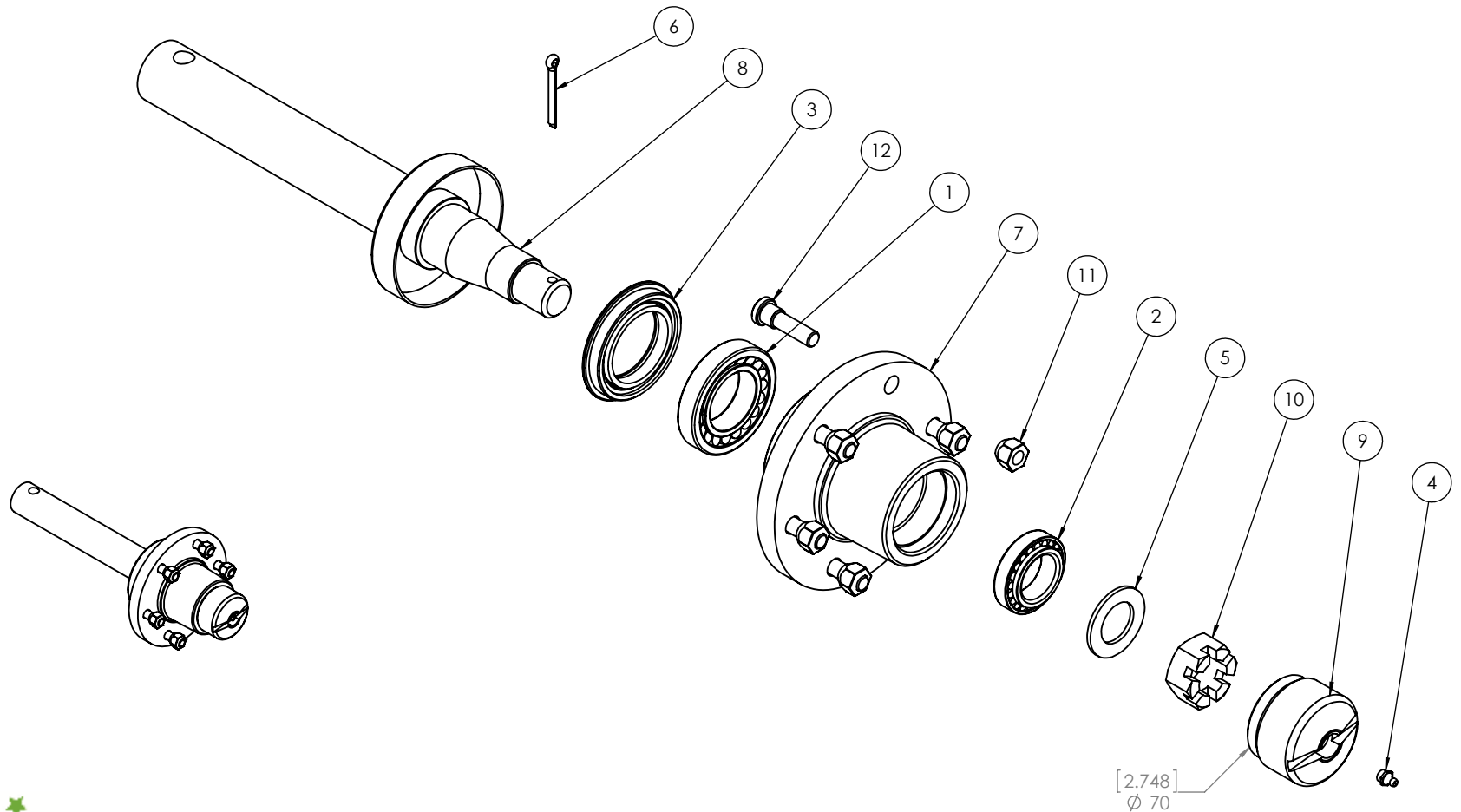
For Machines Built:

01/07/2014 (KS-115004) -

Revision

**B**

ITEM NO.	PART NUMBER	Revision	DESCRIPTION	QTY.
1	0111-30210		Bearing Tapered Roller 50x90x21.75	1
2	0111-LM29749-10		Bearing Tapered Roller 38.1x65.088x18.034	1
3	0121-AP64607	A	AP7 Seal 90 x 60.3 x 10mm	1
4	0181-GN1-8	A	Grease Nipple 1/8" BSP	1
5	0232-F11-4		Washer Flat 1 1/4"	1
6	0261-PINC650		Cotter Pin M6 x 50mm	1
7	0731-H83660	A	3T 6 on 6" Hub Only	1
8	0732-K5083TS	A	2" Round 330 OHF Stub Only	1
9	0741-D-CAPLC4T	A	Dust Cap Ali 70 Round	1
10	0741-NCAST114	A	Castle Nut 1 1/4" x 12	1
11	0741-NWH1-2	A	Wheel Nut 1/2" UNF	6
12	0741-WS1-2	A	Wheel Stud 1/2" UNF x 2"	6



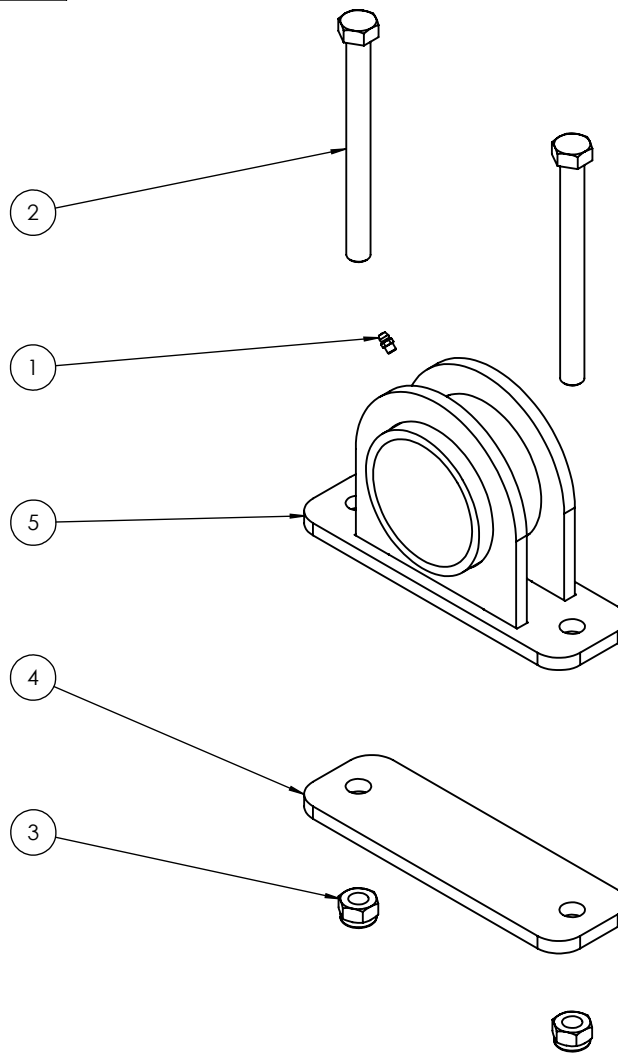
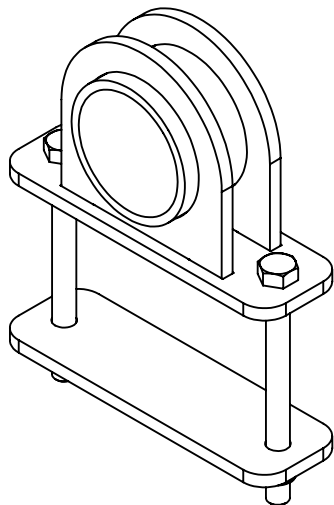
Part Number  
**0733-K5083T66S**

Description  
**Axle 2"R 3T 6 on 6" PCD 330 OHF**

For Machines Built:  
26/11/09-

Revision  
**A**

ITEM NO.	PART NUMBER	Revision	DESCRIPTION	QTY.
1	0181-GN1-4		Grease Nipple 1/4" UNF	1
2	0211-16180	A	M16 x 180 grade 8.8 zp Bolt	2
3	0221-NYL16		Nyloc Nut M16	2
4	1400-024	B-0	Axle Pivot Mount Bolt Plate	1
5	1410-16	A-0	Axle Arm Pivot Mount	1



Part Number

**1410-16A**

Description

**Axle Pivot Bush Assembly**

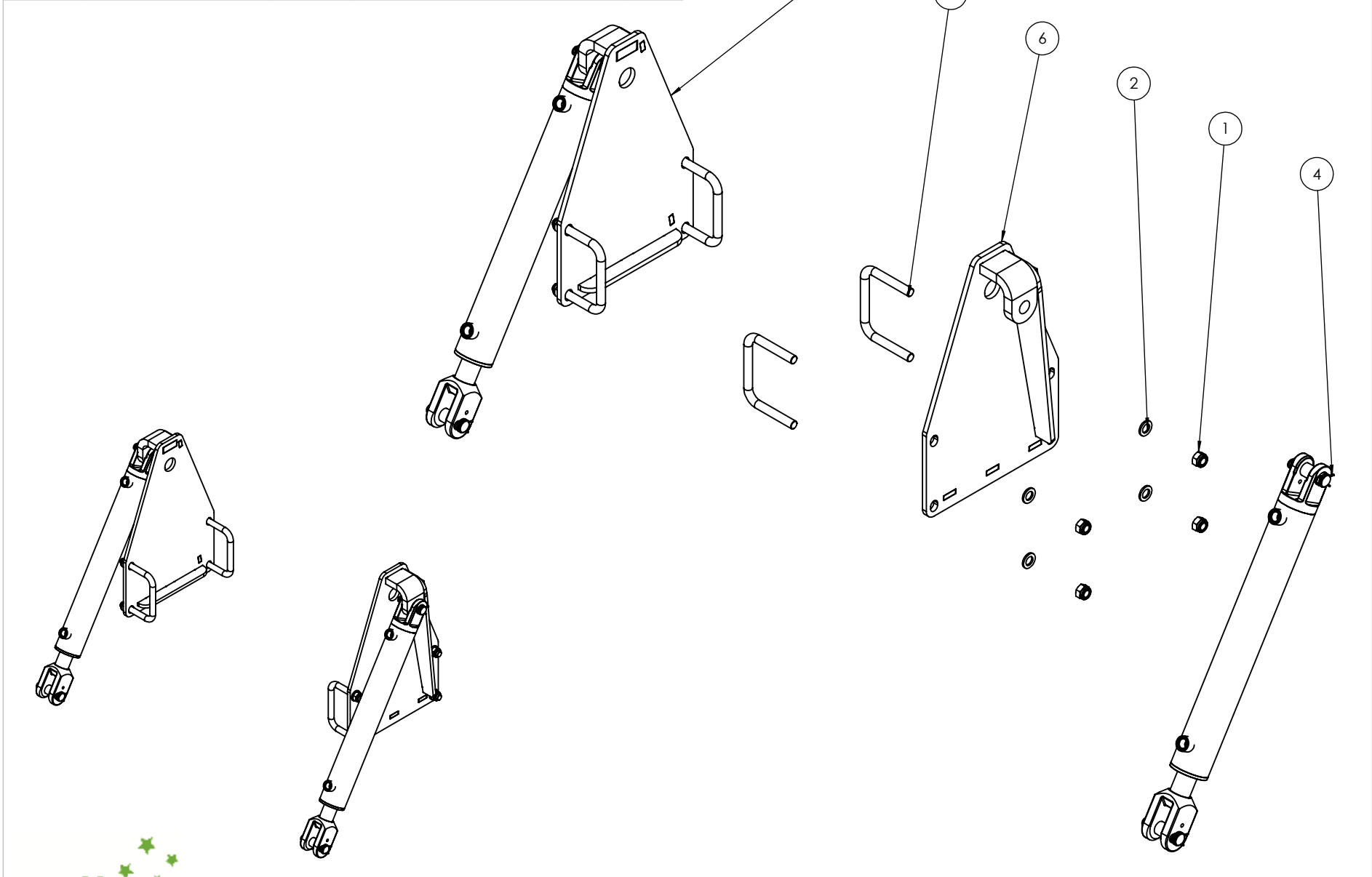
For Machines Built:

01/07/2014 (KS-115004) -

Revision

**A**

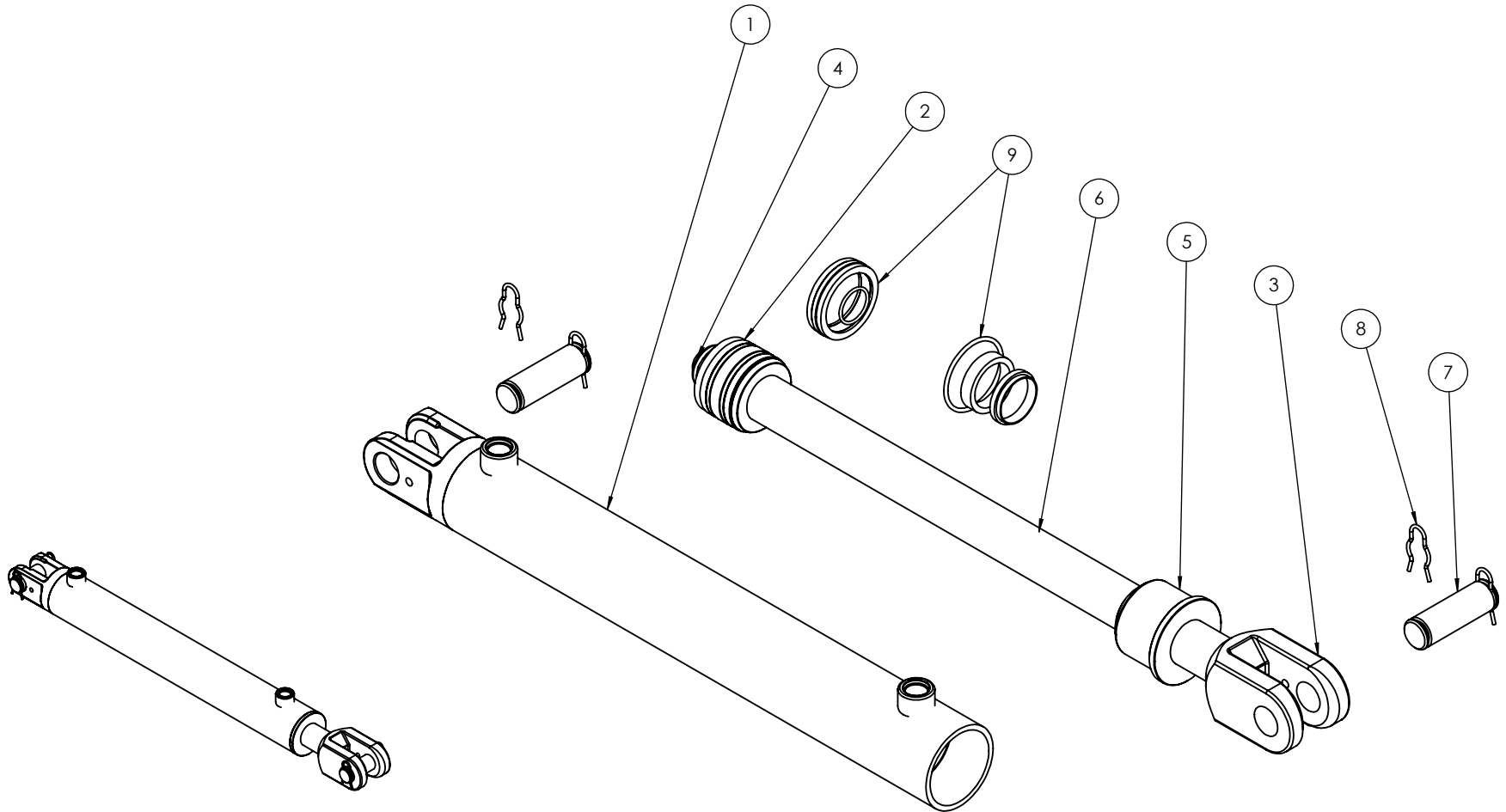
ITEM NO.	PART NUMBER	Revision	DESCRIPTION	QTY.
1	0221-NYL16		Nyloc Nut M16	8
2	0231-F16		Washer Flat M16	8
3	0271-16110129	A	U-Bolt M16 x 110 Deep x 129 Wide	4
4	0311-2516	A	2.5" Bore x 16" Stroke Hydraulic Cylinder	2
5	1410-17	B-0	Hydraulic Lift Mount Left Hand	1
6	1410-18	B-0	Hydraulic Lift Mount Right Hand	1



Part Number <b>1410-17A</b>	Description <b>Hydraulic Lift Mount Assembly</b>	For Machines Built: 01/07/2014 (KS-115004) -	Revision <b>A</b>
--------------------------------	---	---	----------------------



ITEM NO.	PART NUMBER	Revision	DESCRIPTION	QTY.
1	0313-2516B		2.5" Bore x 16" Stroke Hydraulic Cylinder Barrel	1
2	0313-NP2		Nordon 2" Cylinder Piston	1
3	0313-NRC1		Nordon Rod Clevis 1"	1
4	0313-NN1		Nordon 1" Cylinder Rod Nut	1
5	0313-NG15X25		Nordon Gland 1.5" Rod x 2.5" Barrel	1
6	0313-2516R		2.5" Bore x 16" Stroke Cylinder Rod	1
7	0313-N1		Nordon 1" x 80mm Cylinder Pin	2
8	0313-N1C		Nordon 1" Cylinder Pin Clip	4
9	0312-N25		Nordon 2.5" Cylinder Seal Kit	1



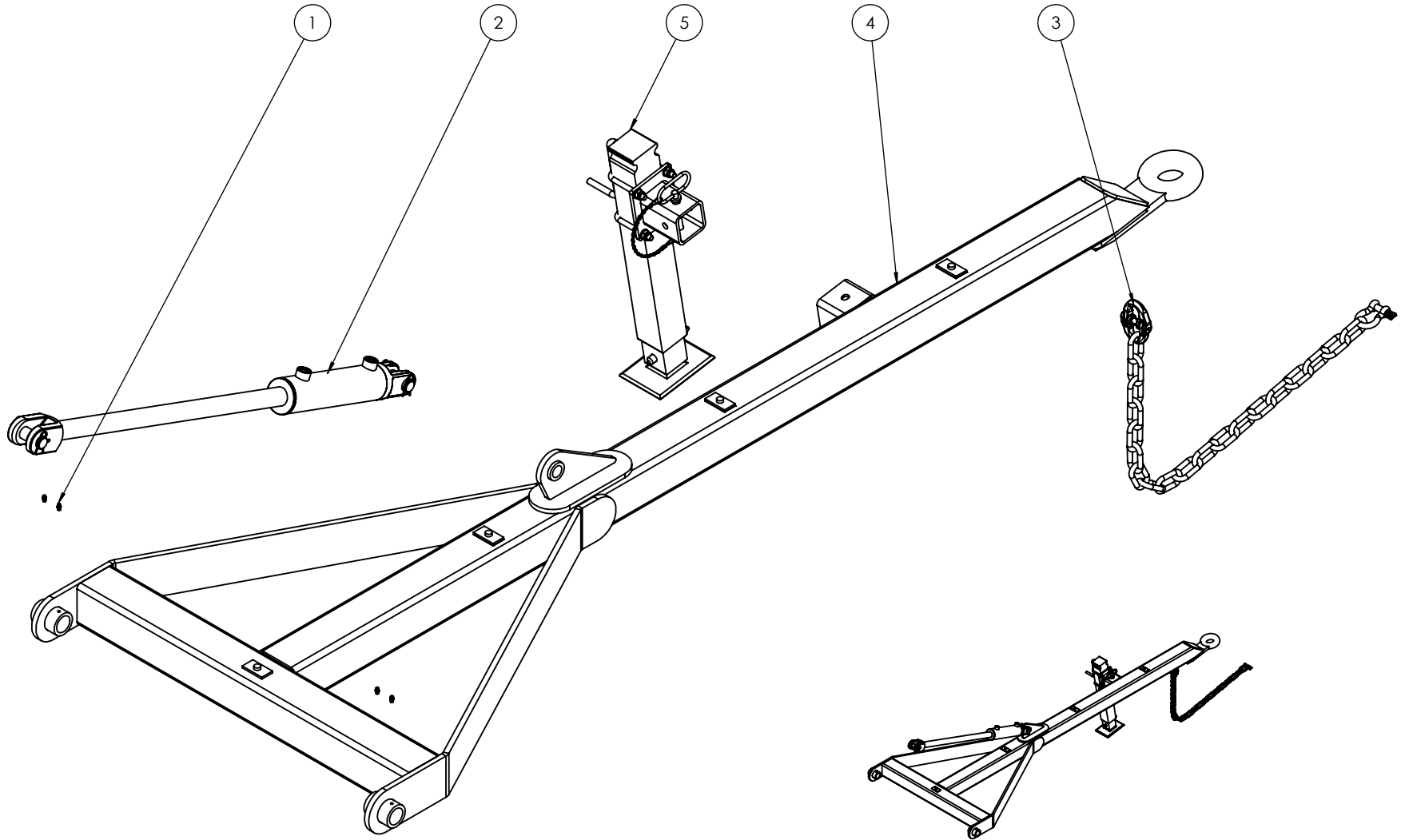
Part Number  
**0311-2516**

Description  
2.5" Bore x 16" Stroke Hydraulic Cylinder

For Machines Built:  
01/07/2014 (KS-115004)

Revision  
**A**

ITEM NO.	PART NUMBER	Revision	DESCRIPTION	QTY.
1	0181-GN1-4		Grease Nipple 1/4" UNF	4
2	0311-2506EXT	A	2.5" Bore x 6" Stroke Extended Cylinder	1
3	1402-16	A	Safety Chain Assembly	1
4	1410-19	B-1	Kelly Smoother Drawbar	1
5	1410-24A	A	Jack Assembly 1500kg	1



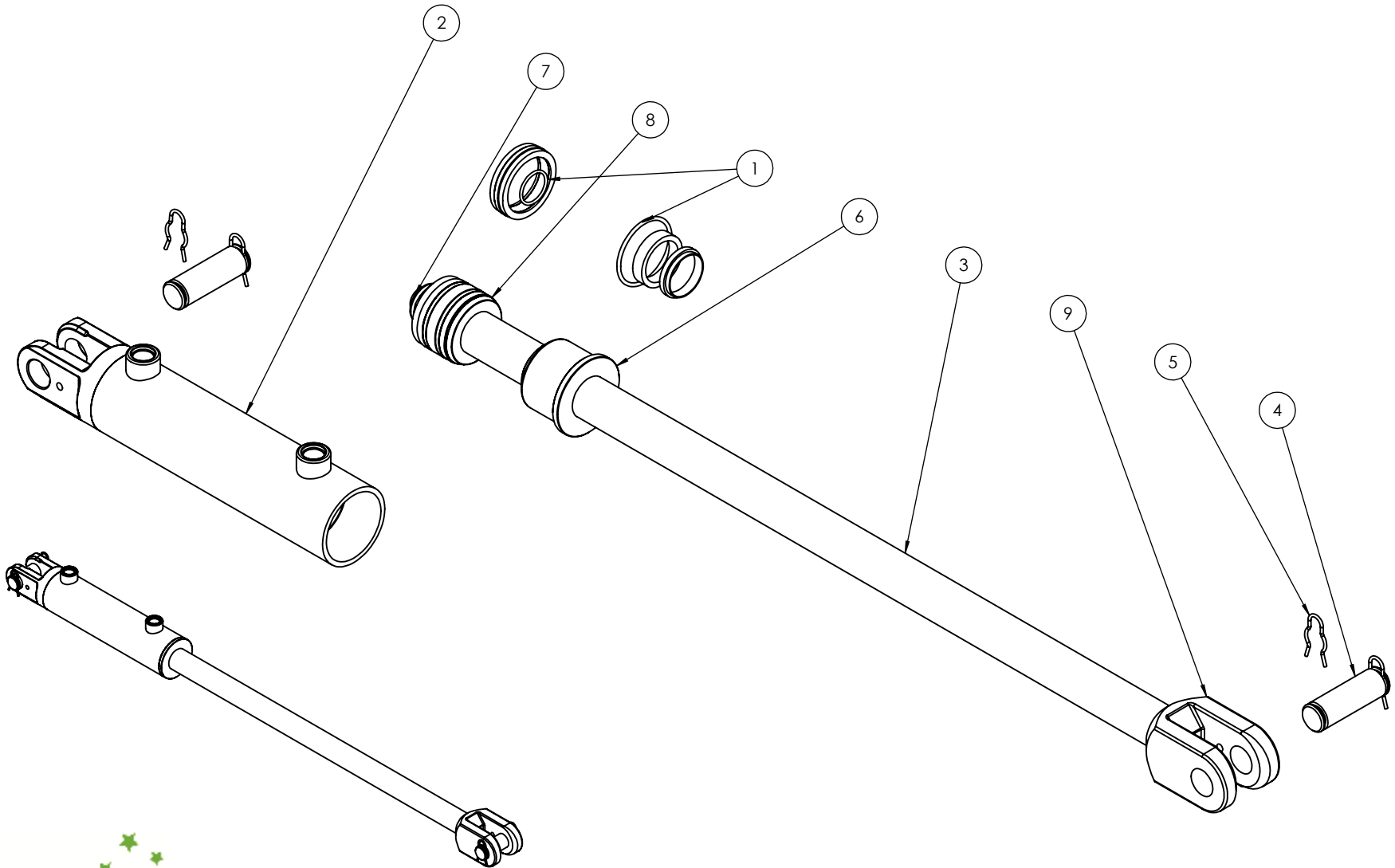
Part Number  
**1410-19A**

Description  
**Kelly Smoother Drawbar Assembly**

For Machines Built:  
01/07/2014 (KS-115004) -

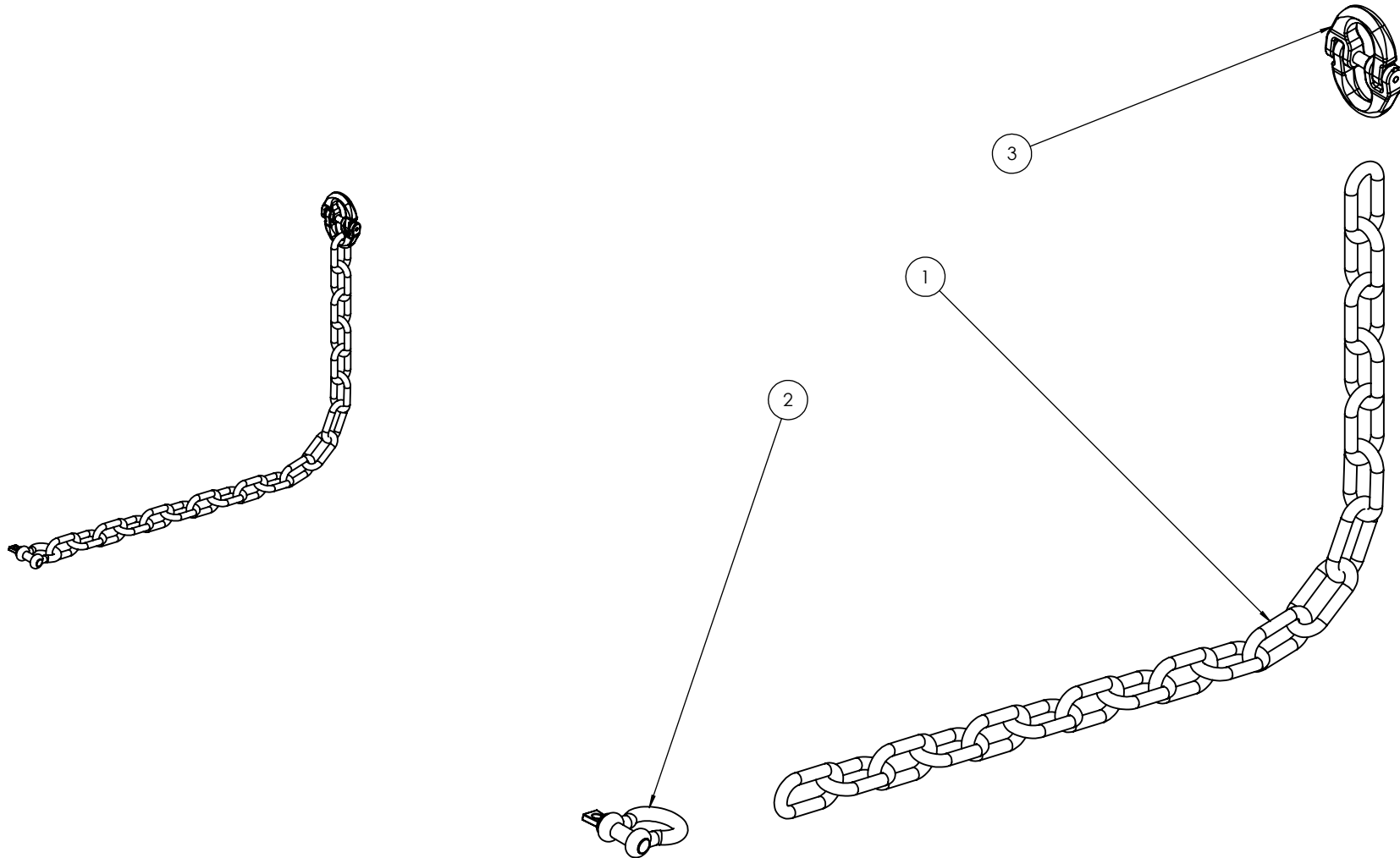
Revision  
**B**

ITEM NO.	PART NUMBER	Revision	DESCRIPTION	QTY.
1	0312-N25		Nordon 2.5" Cylinder Seal Kit	1
2	0313-2506EXTB		2.5" Bore x 6" Stroke Cylinder Barrel	1
3	0313-2506EXTR		2.5" x 6" Extended Cylinder Rod	1
4	0313-N1		Nordon 1" x 80mm Cylinder Pin	2
5	0313-N1C		Nordon 1" Cylinder Pin Clip	4
6	0313-NG15X25		Nordon Gland 1.5" Rod x 2.5" Barrel	1
7	0313-NN1		Nordon 1" Cylinder Rod Nut	1
8	0313-NP2		Nordon 2" Cylinder Piston	1
9	0313-NRC1		Nordon Rod Clevis 1"	1



Part Number	Description	For Machines Built:	Revision
<b>0311-2506EXT</b>	2.5" Bore x 6" Stroke Extended Cylinder	01/07/2014 (KS-115004) -	<b>A</b>

ITEM NO.	PART NUMBER	Revision	DESCRIPTION	QTY.
1	0511-CHHT10LINK		Chain HT 10mm Link	19
2	0511-SHKL B13		Bow Shackle 13mm	1
3	0511-CHCON10MM	A	Chain Connector 10mm	1



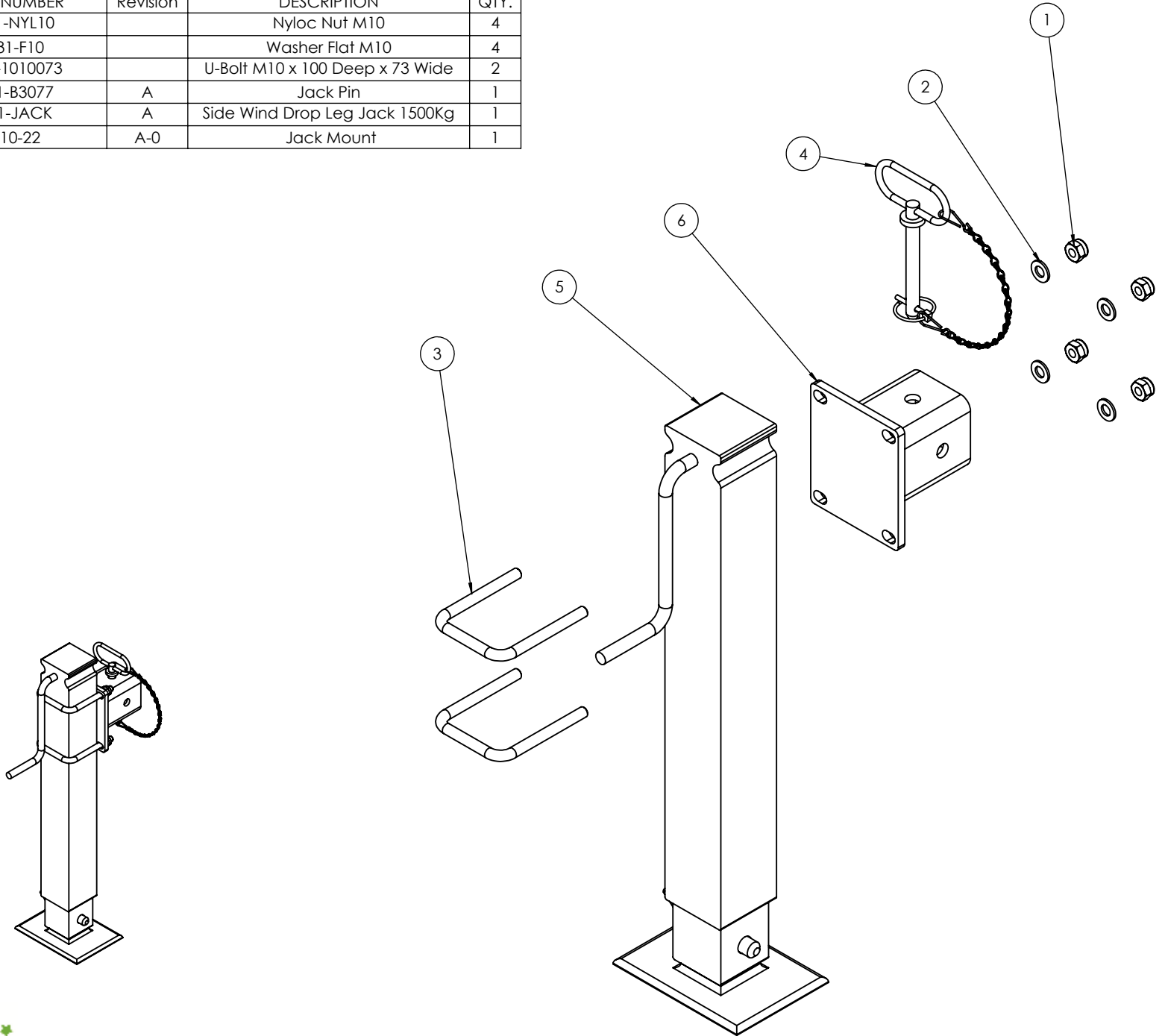
Part Number  
**1402-16**

Description  
**Safety Chain Assembly**

For Machines Built:  
01/07/2014 (KS-115004)

Revision  
**A**

ITEM NO.	PART NUMBER	Revision	DESCRIPTION	QTY.
1	0221-NYL10		Nyloc Nut M10	4
2	0231-F10		Washer Flat M10	4
3	0271-1010073		U-Bolt M10 x 100 Deep x 73 Wide	2
4	0801-B3077	A	Jack Pin	1
5	1401-JACK	A	Side Wind Drop Leg Jack 1500Kg	1
6	1410-22	A-0	Jack Mount	1



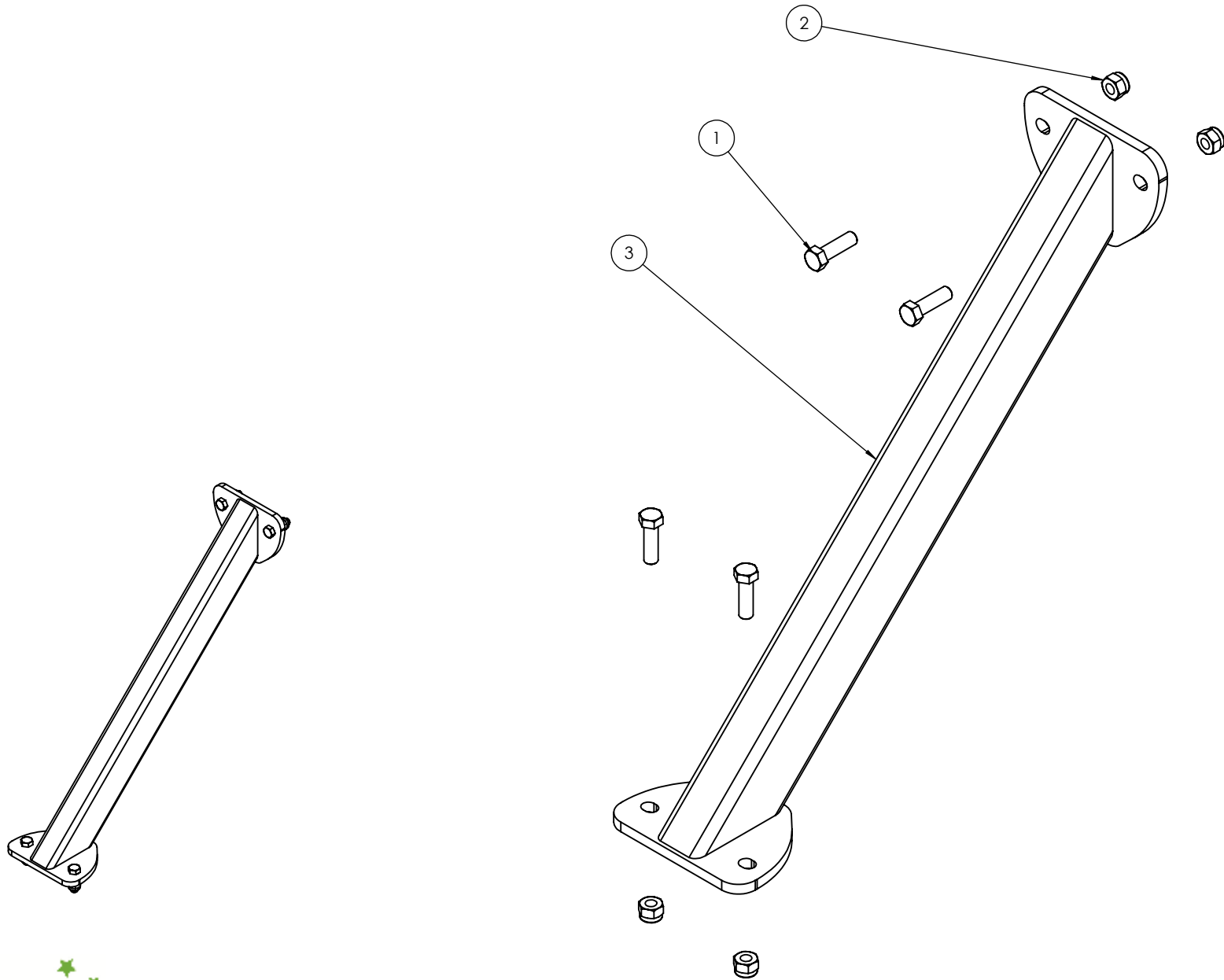
Part Number  
**1410-24A**

Description  
**Jack Assembly 1500kg**

For Machines Built:  
01/07/2014 (KS-115004) -

Revision  
**A**

ITEM NO.	PART NUMBER	Revision	DESCRIPTION	QTY.
1	0211-1240	A	M12 x 40 grade 8.8 ZP Bolt	4
2	0221-NYL12		Nyloc Nut M12	4
3	1410-23	A-0	Front Post Brace Bar	1

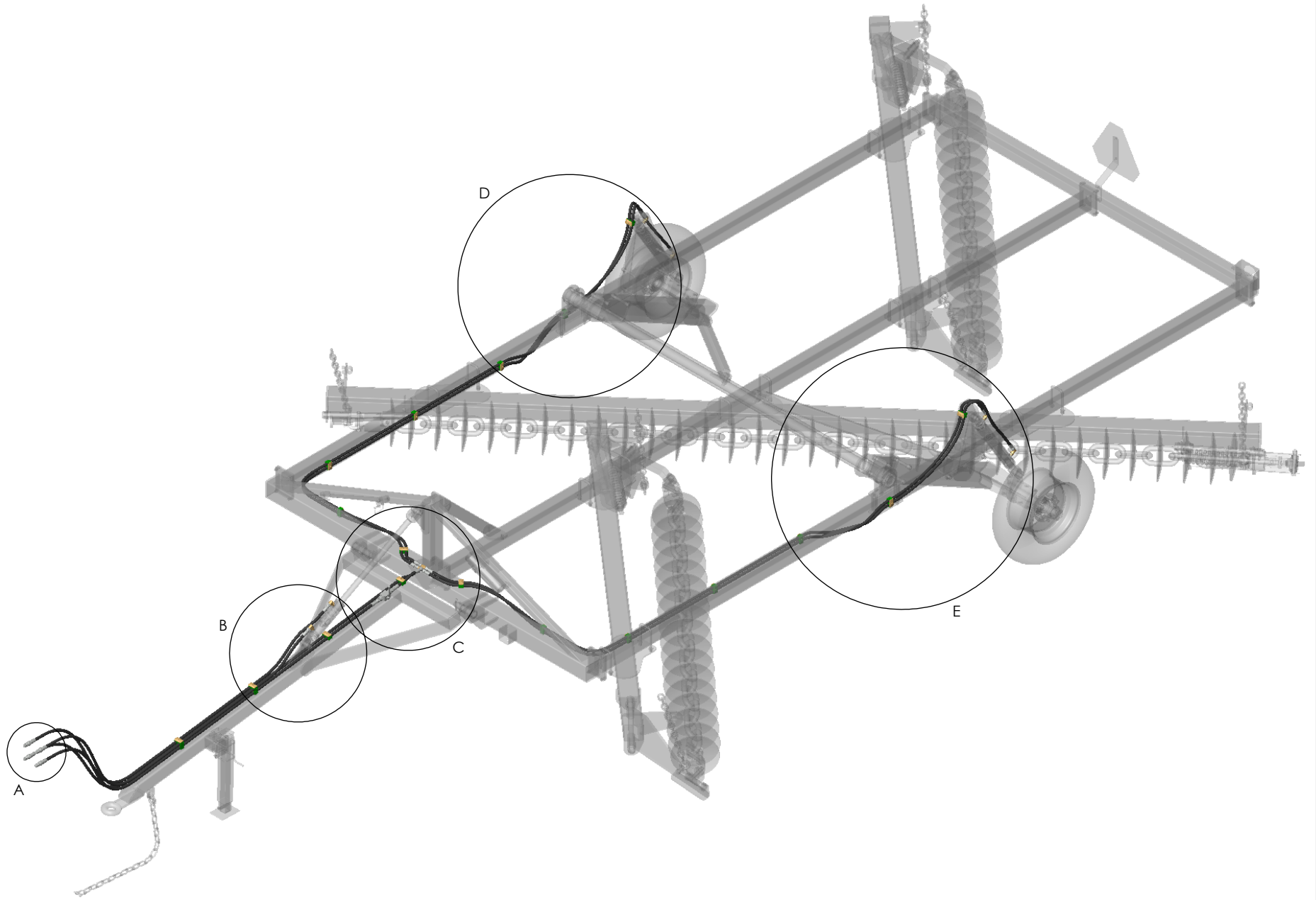


Part Number  
**1410-23A**

Description  
**Front Post Brace Assembly**

For Machines Built:  
01/07/2014 (KS-115004) -

Revision  
**A**

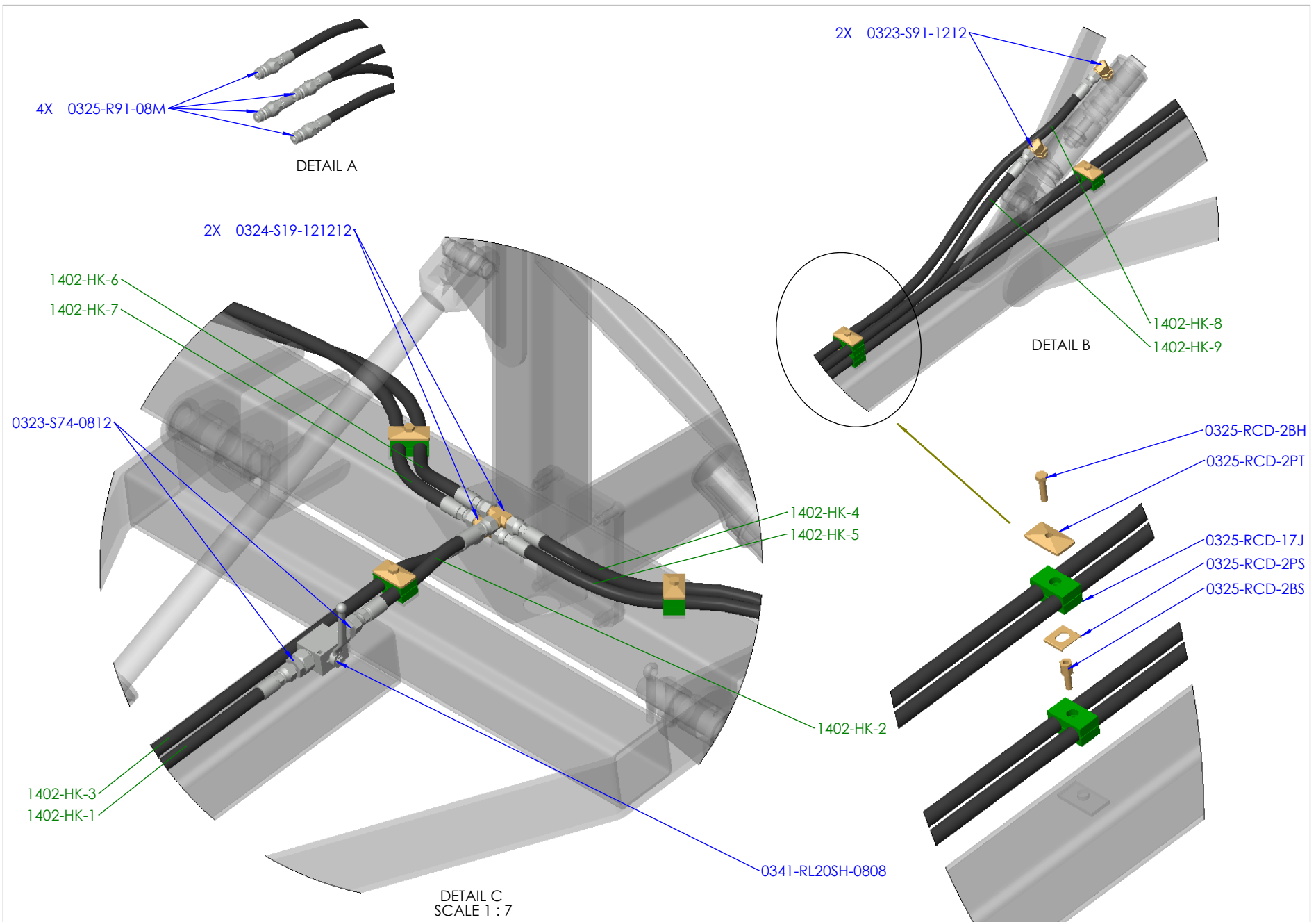


Part Number  
**1402-HK**

Description  
 Kelly Smoother Hydraulic Kit

For Machines Built:  
 01/07/2014 (KS-115004) -

Revision  
**B**



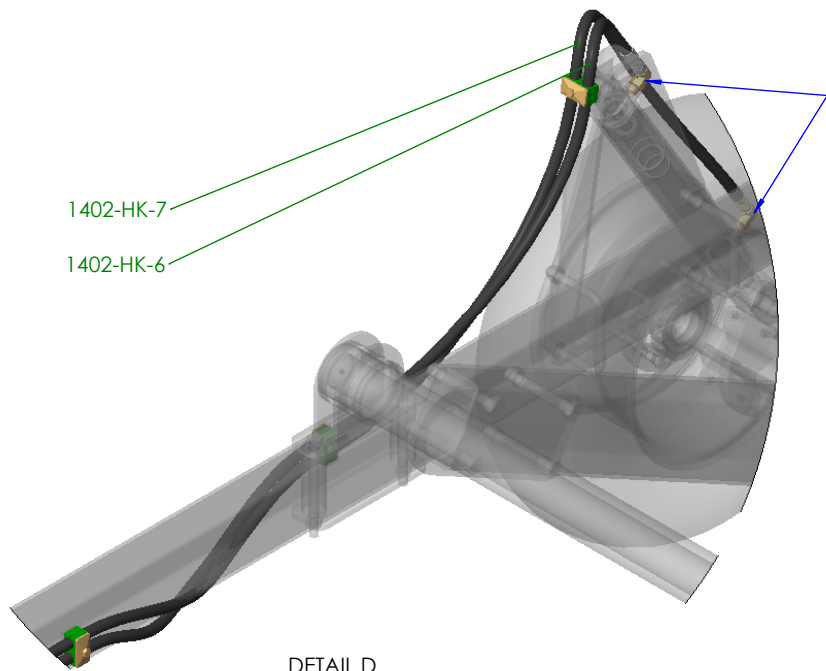
— = Hydraulic Hose Assemblies

— = Hydraulic Fittings



Part Number	Description	For Machines Built:	Revision
<b>1402-HK</b>	<b>Kelly Smoother Hydraulic Kit</b>	01/07/2014 (KS-115004) -	<b>B</b>



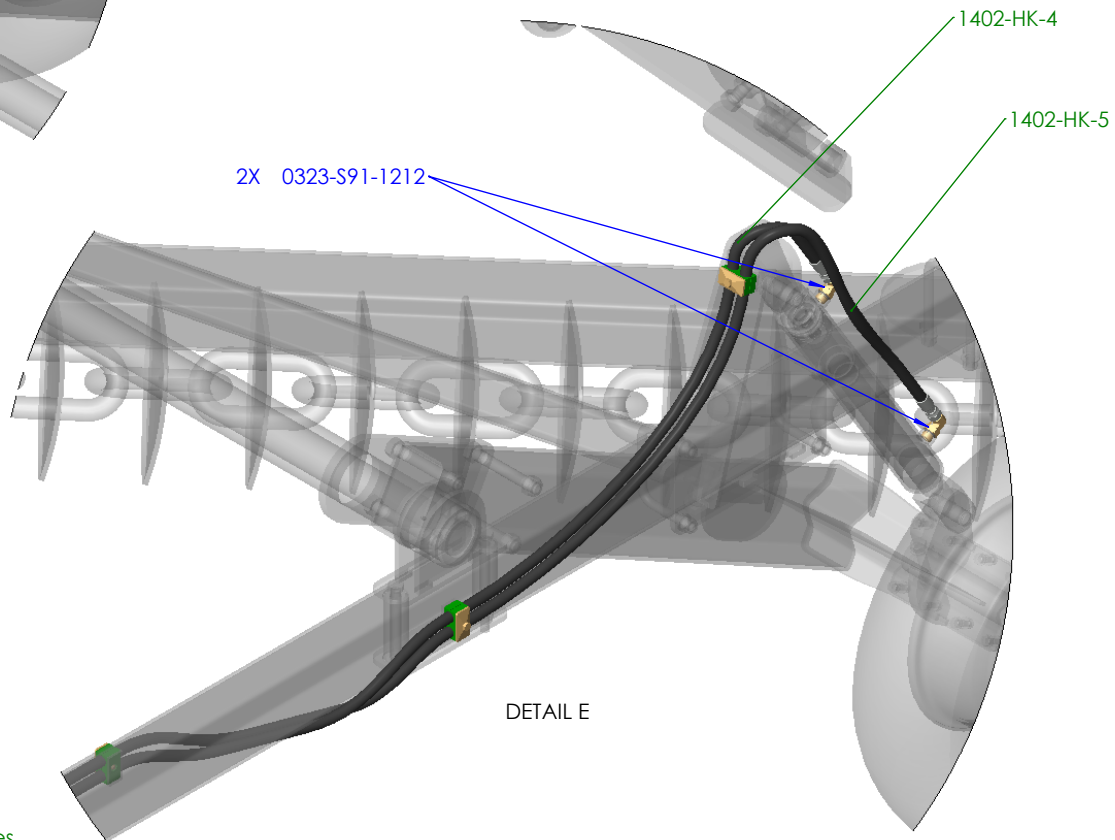


1402-HK-7

1402-HK-6

DETAIL D

2X 0323-S91-1212



1402-HK-4

1402-HK-5

2X 0323-S91-1212

DETAIL E

— = Hydraulic Hose Assemblies

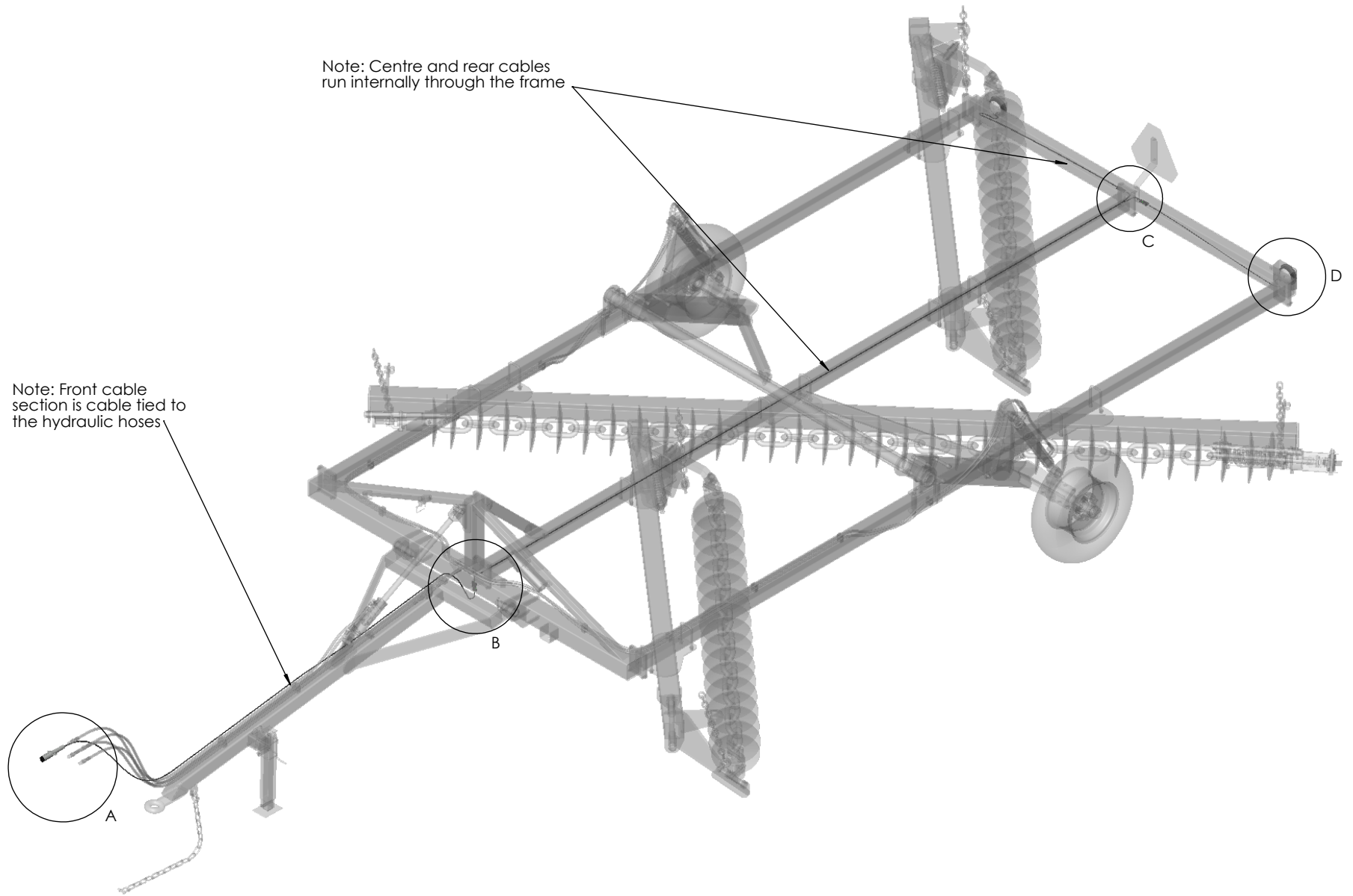
— = Hydraulic Fittings



Part Number	Description	For Machines Built:	Revision
<b>1402-HK</b>	Kelly Smoother Hydraulic Kit	01/07/2014 (KS-115004) -	<b>B</b>

Note: Centre and rear cables run internally through the frame

Note: Front cable section is cable tied to the hydraulic hoses

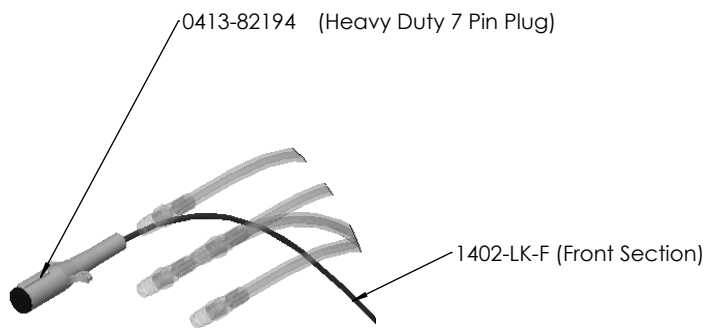


Part Number  
**1402-LK**

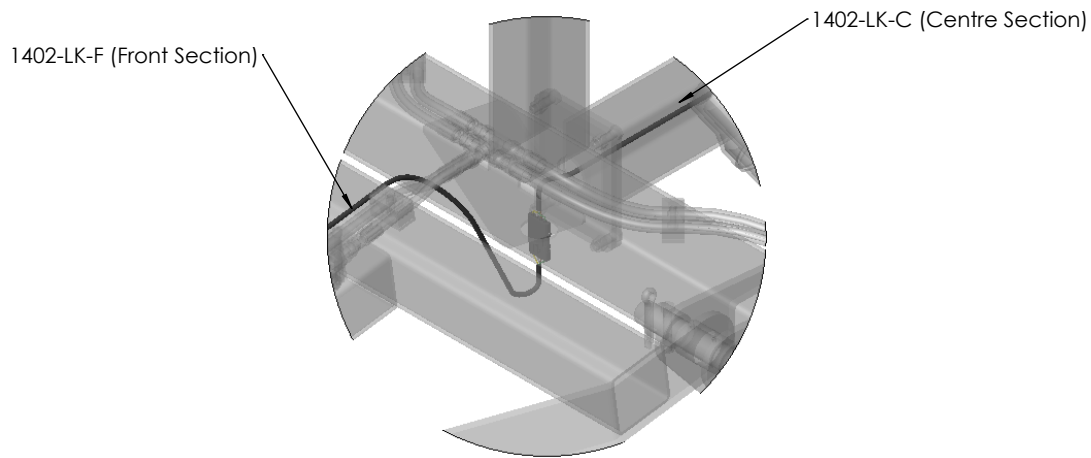
Description  
**Levee Reclaimer Light Kit**

For Machines Built:  
01/07/2014 (KS-115004) -

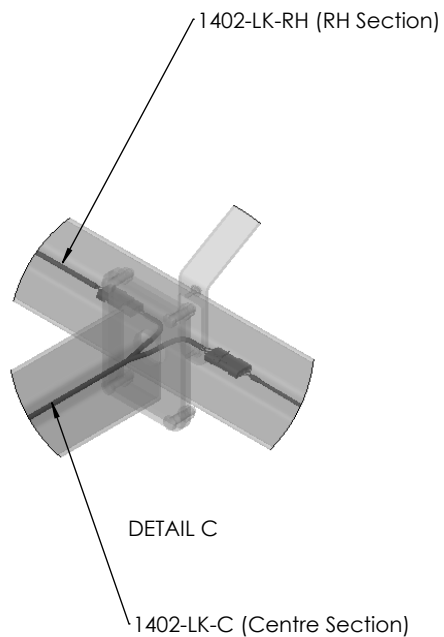
Revision  
**B**



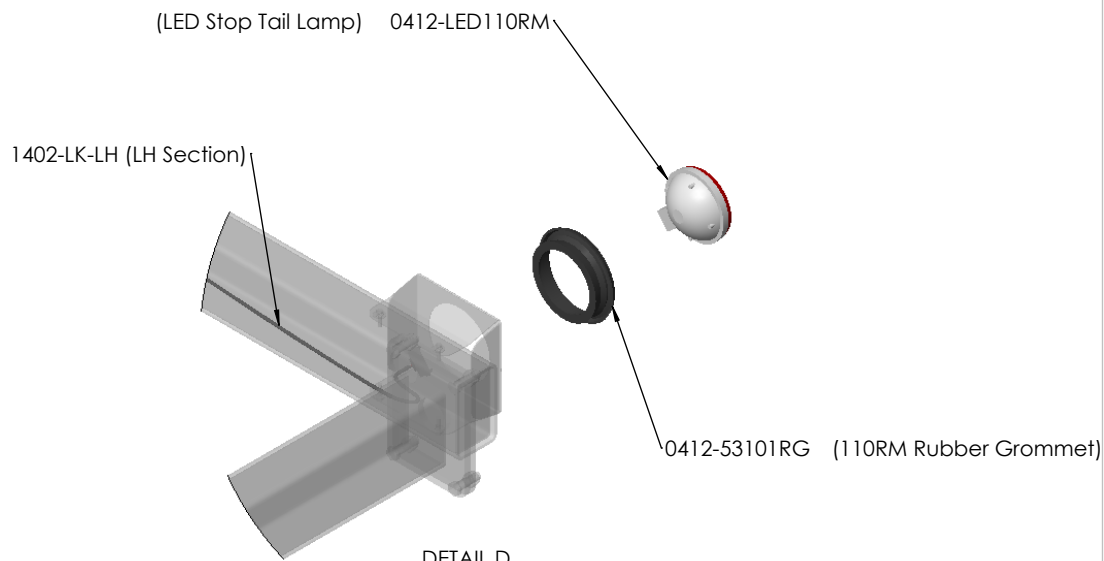
DETAIL A



DETAIL B



DETAIL C



DETAIL D

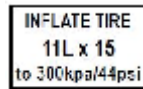
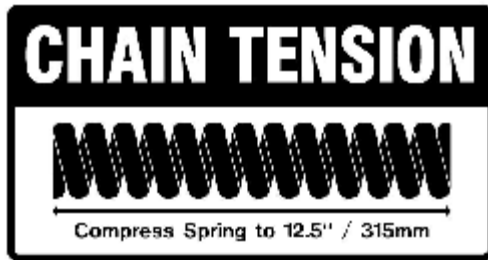


Part Number	Description	For Machines Built:	Revision
<b>1402-LK</b>	Levee Reclaimer Light Kit	01/07/2014 (KS-115004) -	<b>B</b>

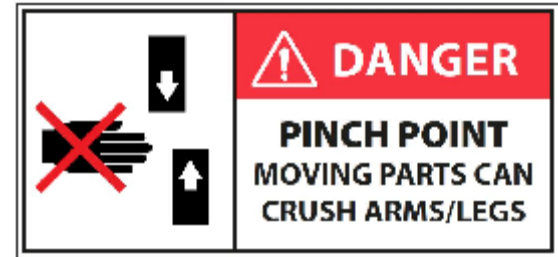
ITEM	PART No	DESCRIPTION	QTY PER MACHINE
1	1401-DK-2	Kelly Smoother Decal - Kelly Smoother	2
2	1401-DK-3	Kelly Smoother Decal - US Patents	2
3	1401-DK-4	Kelly Smoother Decal - Chain Tension	2
4	1401-DK-5	Kelly Smoother Decal - High Pressure Fluid	1
5	1401-DK-6	Kelly Smoother Decal - Max Towing Speed	1
6	1401-DK-7	Kelly Smoother Decal - Pinch Point	2
7	1401-DK-8	Kelly Smoother Decal - Do Not Stand	2
8	0801-S8-11L/15	Decal - 11L/15 Tyre Inflation	2
9	0801-S9	Decal - Wheel Nut	2
10	0801-S10	Decal - Grease	4
11	0801-S12	Decal - Kelly Engineering	2



**US Patents**  
D615107 • D615108



**CHECK WHEEL NUTS**  
AFTER FIRST .5 HRS  
AND AT REGULAR INTERVALS



Part Number  
**1402-DK**

Description  
Kelly Smoother Decal Kit

For Machines Built:  
01/07/2014 (KS- 115004) -

Revision  
A



