



Diamond Chain Harrow

Parts Manual

Model

Australia 60CT

United States 62

Revision B

Kelly Engineering
PO Box 100
Boomer Centre SA 5482
Australia

Phone: + 61 8 8667 2253

Fax: + 61 8 8667 2250

Email: office@kellyengineering.com.au

Website (US): www.kellyharrows.com

Website (Australia): www.kellyengineering.com.au



Thank you for choosing a Kelly Engineering product

We trust that you find the following manual clear and easy to follow. If you should require additional customer support or assistance, please do not hesitate to contact us.

Spare parts can be purchased, as required, through your local dealer or by contacting Kelly Engineering Australia or in the United States, Hood & Company.

Kelly Engineering welcomes feedback. Should you have any difficulties that you wish to raise, suggestions for improvement or modifications that you feel would enhance our products we look forward to hearing from you.

Australia

Kelly Engineering

PO Box 100

Booleroo Centre SA 5482

Phone: + 61 8 8667 2253

Fax: + 61 8 8667 2250

Email: sales@kellyengineering.com.au

Spare Parts: parts@kellyengineering.com.au

Website: www.kellyengineering.com.au

United States

Kelly Engineering

526 1st Street

PO Box 121

New Glarus WI 53574

Phone: 608 527 2386

Mobile: 316 304 6178

Email: waynerosenbaum@kellyharrows.com

Website: www.kellyharrows.com

Spare Parts

Hood & Company Inc

Spring field MO

Phone: 417 865 2100

Fax: 417 865 2105

Email: hoodco@hoodco.com

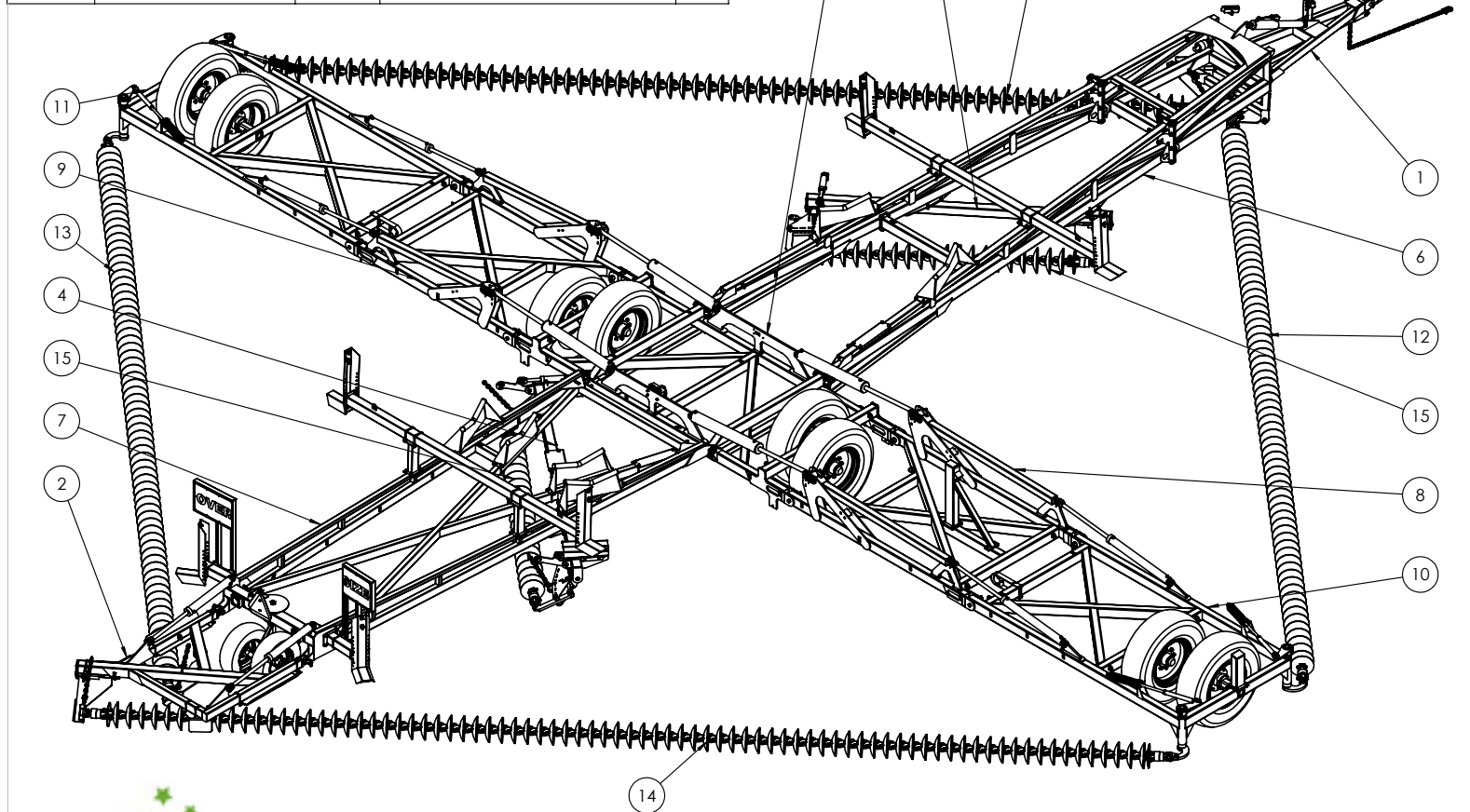
60CT Parts book index

	Page no		Page no
1. 0860CT-100	5	8. 0860CT-03A	38
2. 0810-08A	6	8.1. 0311-2958	
2.1. 0311-6357		8.2. 0810-03EB	
2.2. 0810-09A		8.3. 0810-109A	
2.3. 0810-151A		8.4. 0810-11-70A	
2.4. 0810-16		8.4.1.0733-K5083T66S	
2.5. 0810-22A		8.5. 0810-110A	
2.6. 0810-37A		8.6. 0810-111A	
3. 0810-10A	13	8.7. 0810-12CALA	
3.1. 0802-PCHB553		8.8. 0810-17-60RA	
3.2. 0810-220		8.9. 0810-18RA	
3.3. 0810-235		8.10.0810-19A	
3.4. 0810-498		8.11.0810-19L-RA	
4. 0810-28-60A	18	8.12.0810-228-75	
4.1. 0311-5041		9. 0860CT-04A	52
4.2. 0802-PCHB553		10.0860CT-05A	53
4.3. 0810-103FA-50-60		11.0860CT-06A	54
5. 0810-29-60A	22	11.1.0311-6896	
5.1. 0311-5041		11.2.0733-90	
5.2. 0802-PCHB553		11.3.0802-PCHB553	
5.3. 0810-103RA-50-60		11.4.0802-PCHTAA	
5.4. 0810-229-125		11.5.0810-34LBA	
6. 0860CT-01A	27	12.0860CT-07A	60
6.1. 0311-2956		12.1.0311-6896	
6.2. 0733-90		12.2.0733-90	
6.3. 0802-SV688712		12.3.0802-PCHB553	
7. 0860CT-02A	31	12.4.0802-PCHTAA	
7.1. 0810-17-60FA		12.5.0810-34LBA	
7.2. 0810-18R-FA		13.0803-60CT-FL&R	66
7.3. 0810-19L-FA		14.0803-60CT-LHR	67
7.4. 0810-228-102		15.0803-60CT-RHR	68
7.5. 0860CT-02FA		16.0803-60CT-MOD	69
7.5.1.0802-PCHB553			

Parts

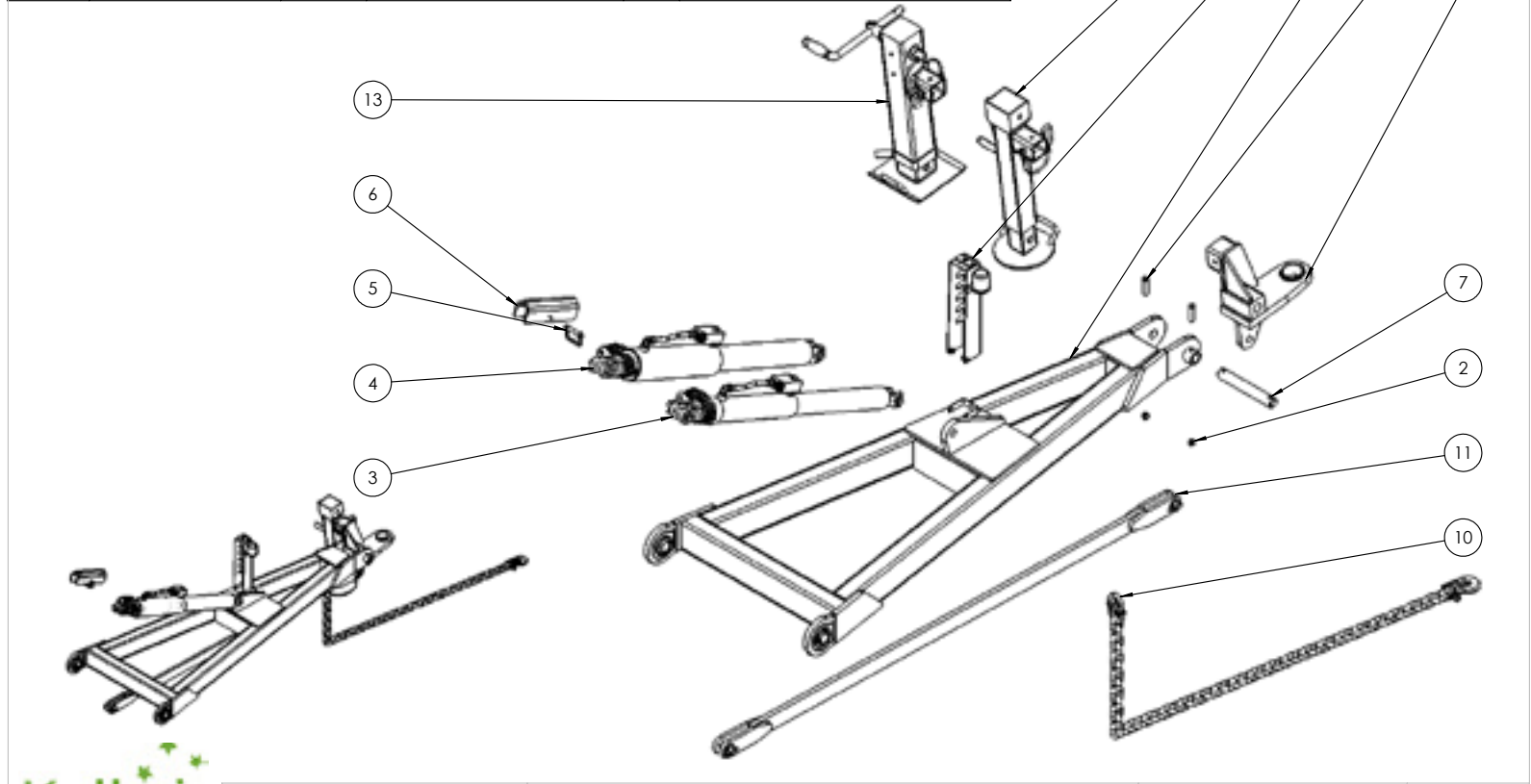
ITEM NO.	PART NUMBER	Revision	DESCRIPTION	QTY.
1	0810-08A	B	Drawbar Assembly	1
2	0810-10A	G	Rear Tail Assembly	1
3	0810-28-60A	B	50-60' Front Module Assembly	1
4	0810-29-60A	B	50-60' Rear Module Assembly	1
5	0860CT-01A	A	60CT Centre Frame Assembly	1
6	0860CT-02A	A	60CT Front A-Frame Assembly	1
7	0860CT-03A	A	60CT Rear A-Frame Assembly	1
8	0860CT-04A	A	60CT RH Inner Wing Assembly	1
9	0860CT-05A	A	60CT LH Inner Wing Assembly	1
10	0860CT-06A	A	60CT RH Outer Wing Assembly	1
11	0860CT-07A	A	60CT LH Outer Wing Assembly	1

ITEM NO.	PART NUMBER	Revision	DESCRIPTION	QTY.
12	0803-60CT-FL&R		60CT Front Chain	2
13	0803-60CT-LHR		60CT Left Hand Rear Chain	1
14	0803-60CT-RHR		60CT Right Hand Rear Chain	1
15	0803-60CT-MOD		60CT Module Chain	2



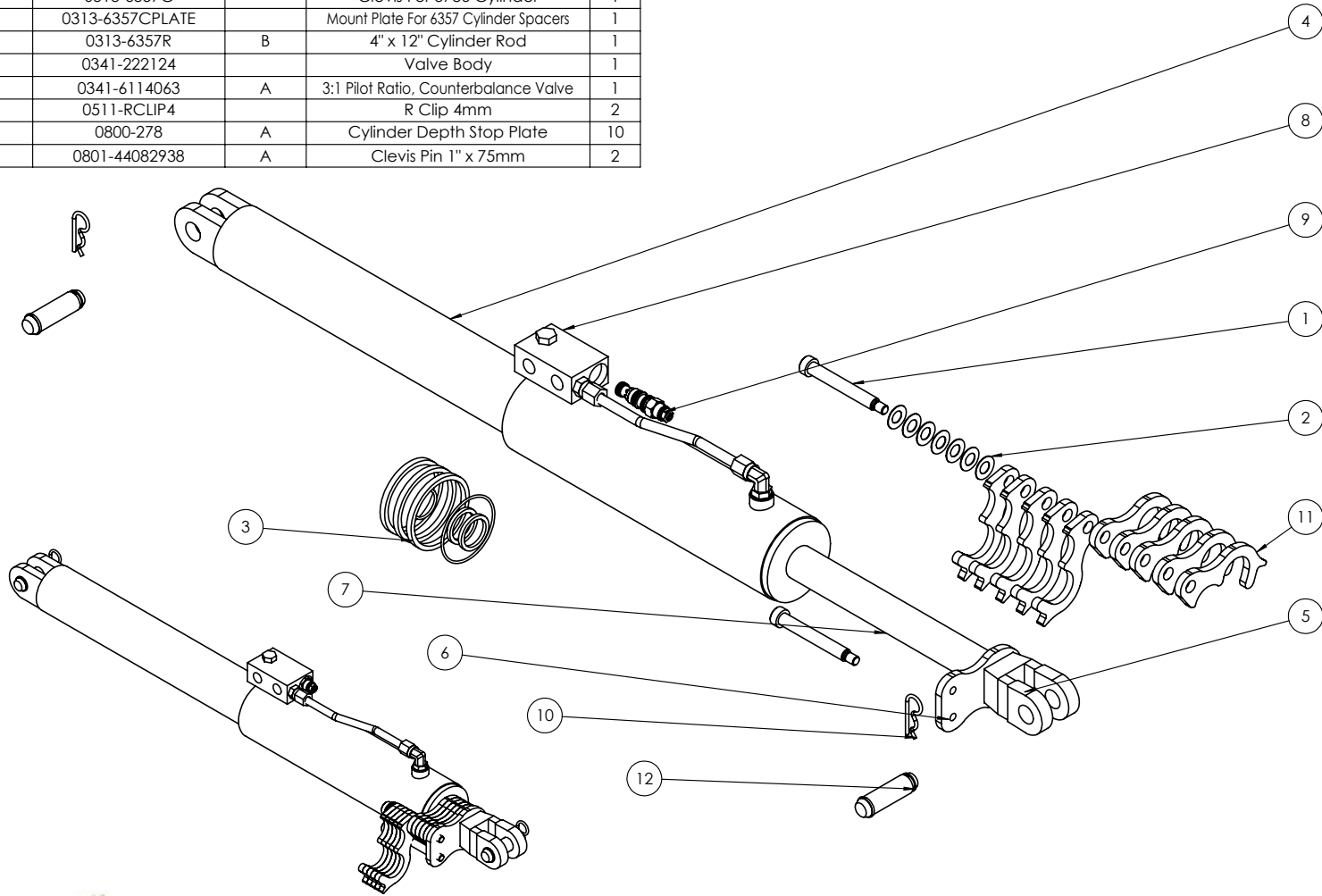
Part Number	Description	For Machines Built:	Revision
0860CT-100	60CT Kelly Diamond Harrow	113060-60CT	A

ITEM NO.	PART NUMBER	Revision	DESCRIPTION	QTY.	Notes
1	0211-1265	A	M12 x 65 grade 8.8 ZP Bolt	2	
2	0221-NYL12		Nyloc Nut M12	2	
3	0311-6002	A	Hyd Cylinder 3 x 12 Extended	1	30,40,45' Domestic Machines only
4	0311-6357	A	Hyd Cylinder 4 x 12 Extended	1	All Export Machines & 50,60' Domestic
5	0511-PINLOOPSQ863	A	Square Loop Pin M8 x 63	1	
6	0800-212.1	B	Cylinder Safety Stop	1	
7	0801-10-06	A	Tow Hitch Pivot Pin	1	
8	0810-08	D-0	Draw Bar Frame	1	
9	0810-09A	B	Tow Hitch Assembly	1	
10	0810-16	B	Safety Chain Assembly	1	
11	0810-22A	B	Parallel Arm Assembly	1	
12	0810-31A	B	Jack Assembly	1	30,40,45" machines only
13	0810-37A	A	Heavy Duty Jack Assembly	1	50,60' machines only
14	0810-151A	B	Hose Post Assembly	1	



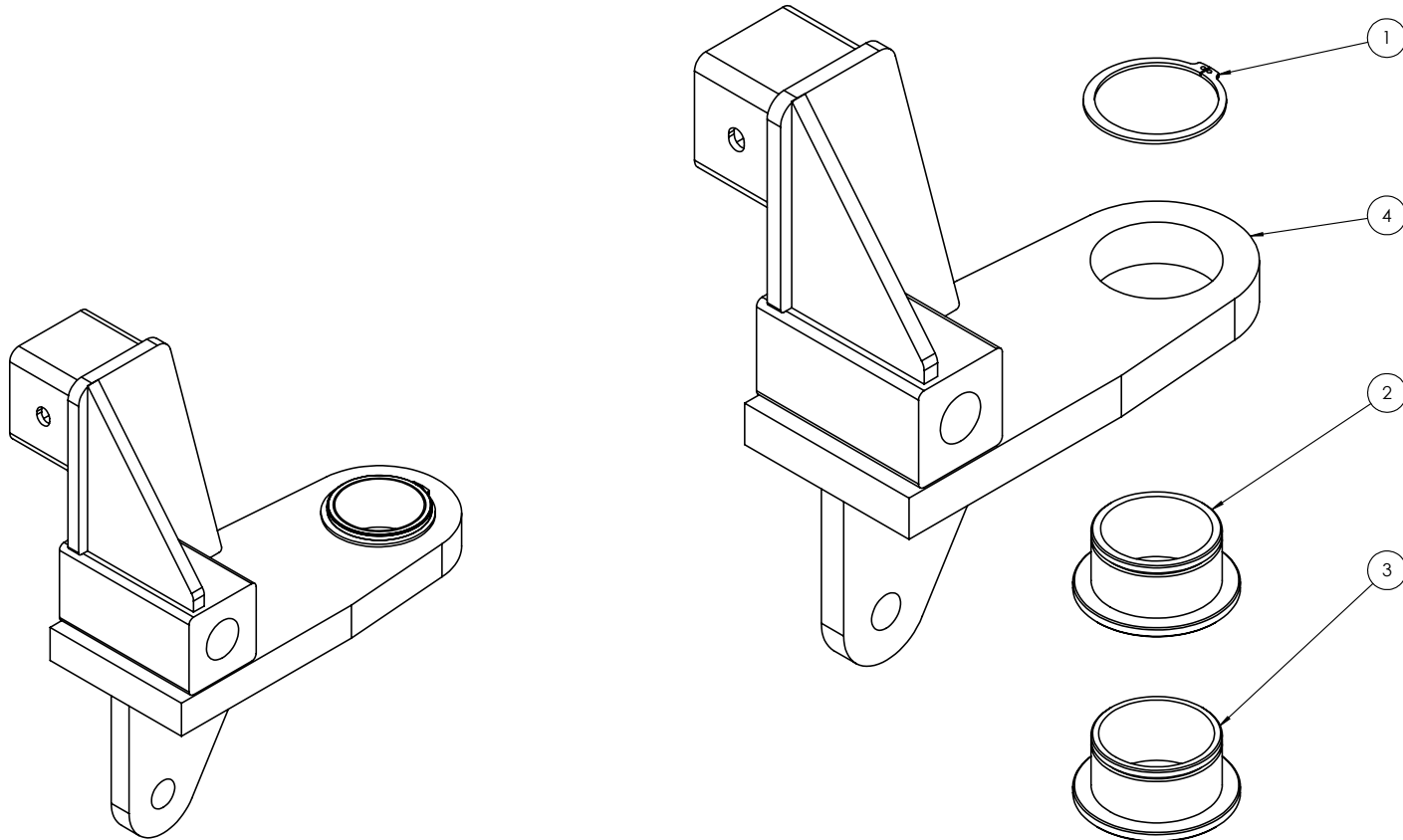
Part Number 0810-08A	Description Drawbar Assembly	For Machines Built: (08033-60)-	Revision B
--------------------------------	---------------------------------	------------------------------------	----------------------

ITEM NO.	PART NUMBER	Revision	DESCRIPTION	QTY.
1	0211-12110SHSCREW	A	Shoulder Screw M12 x 16 x 110	2
2	0231-SPRINGCUP	A	Compression Cup Washer	7
3	0312-EF0316		Seal Kit 4"	1
4	0313-6357B		4" x 12" EXT Cylinder Barrel	1
5	0313-6357C		Clevis For 3786 Cylinder	1
6	0313-6357CPLATE		Mount Plate For 6357 Cylinder Spacers	1
7	0313-6357R	B	4" x 12" Cylinder Rod	1
8	0341-222124		Valve Body	1
9	0341-6114063	A	3:1 Pilot Ratio, Counterbalance Valve	1
10	0511-RCLIP4		R Clip 4mm	2
11	0800-278	A	Cylinder Depth Stop Plate	10
12	0801-44082938	A	Clevis Pin 1" x 75mm	2



Part Number 0311-6357	Description Hyd Cylinder 4 x 12 Extended	For Machines Built: 50/60 (1110200-60)-	Revision A
---------------------------------	---	--	---------------

ITEM NO.	PART NUMBER	Revision	DESCRIPTION	QTY.	NOTES
1	0172-D1400-0820	A	Criclip External 82mm	1	
2	0801-KE-0905-1-B	A	Hardened Tow Hitch Bush 2 1/4"	1	As Standard
3	0801-KE-0905-1-C	A	Hardened Tow Hitch Bush 2 1/2"	1	Optional Upgrade
4	0810-09	C	Tow Hitch	1	



Part Number
0810-09A

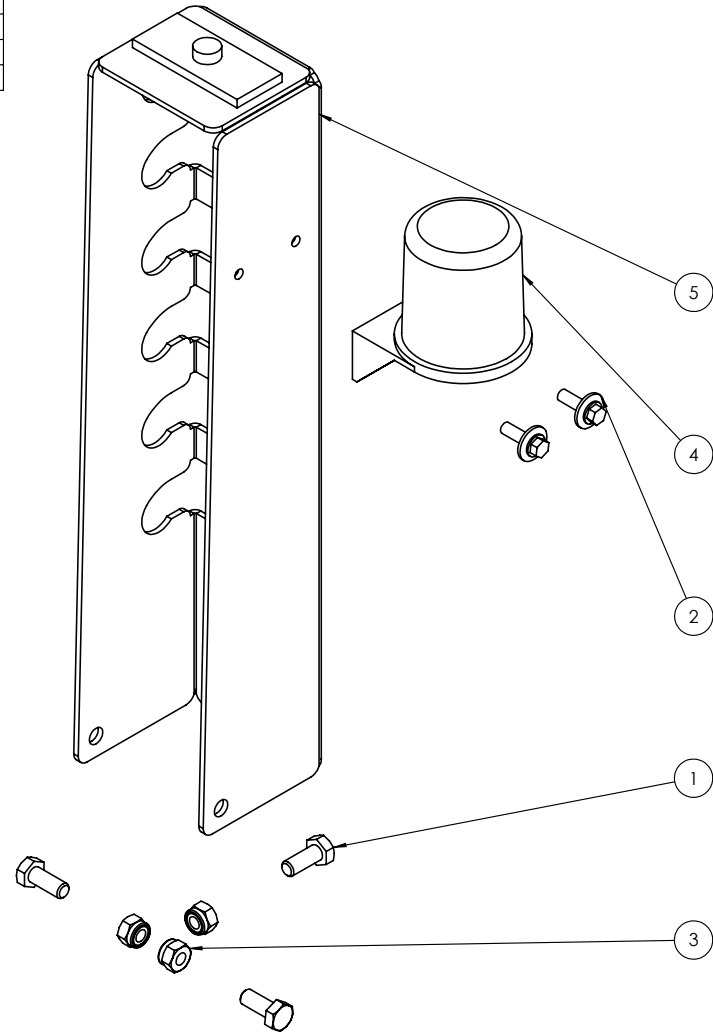
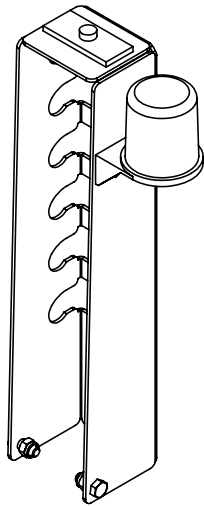
Description
Tow Hitch Assembly

For Machines Built:
01/02/2012 -

Revision

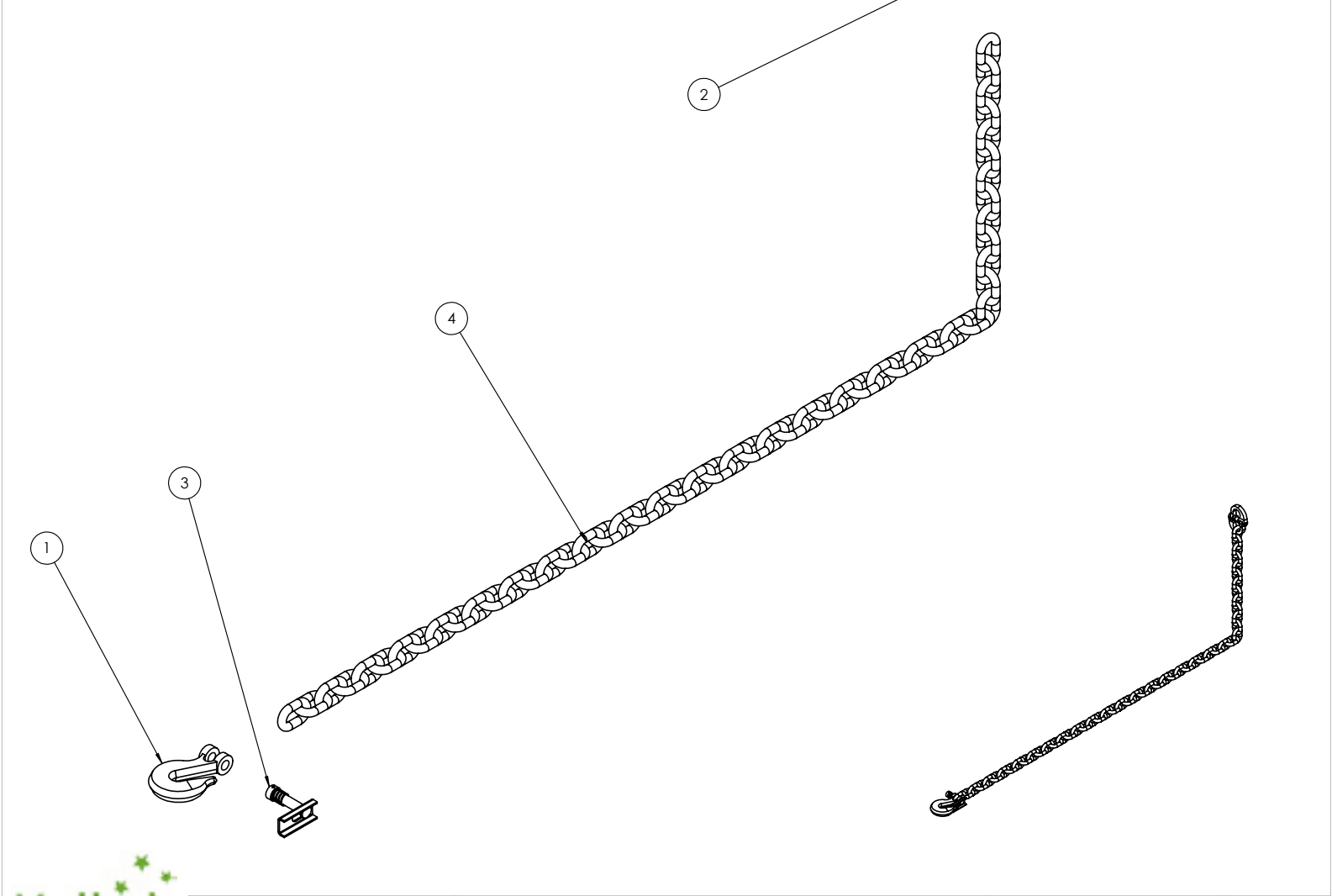
ITEM NO.	PART NUMBER	Revision	DESCRIPTION	QTY.
1	0211-820		M8 x 20 grade 8.8 ZP Bolt	3
2	0211-M620MZPHTF	E	M6 x 20 Trilobe self tapping ScREW	2
3	0221-NYL8		Nyloc Nut M8	3
4	0416-11750B	E	Electrical Plug Keeper	1
5	0810-151	B	Hose Post	1

E = For Export machines only



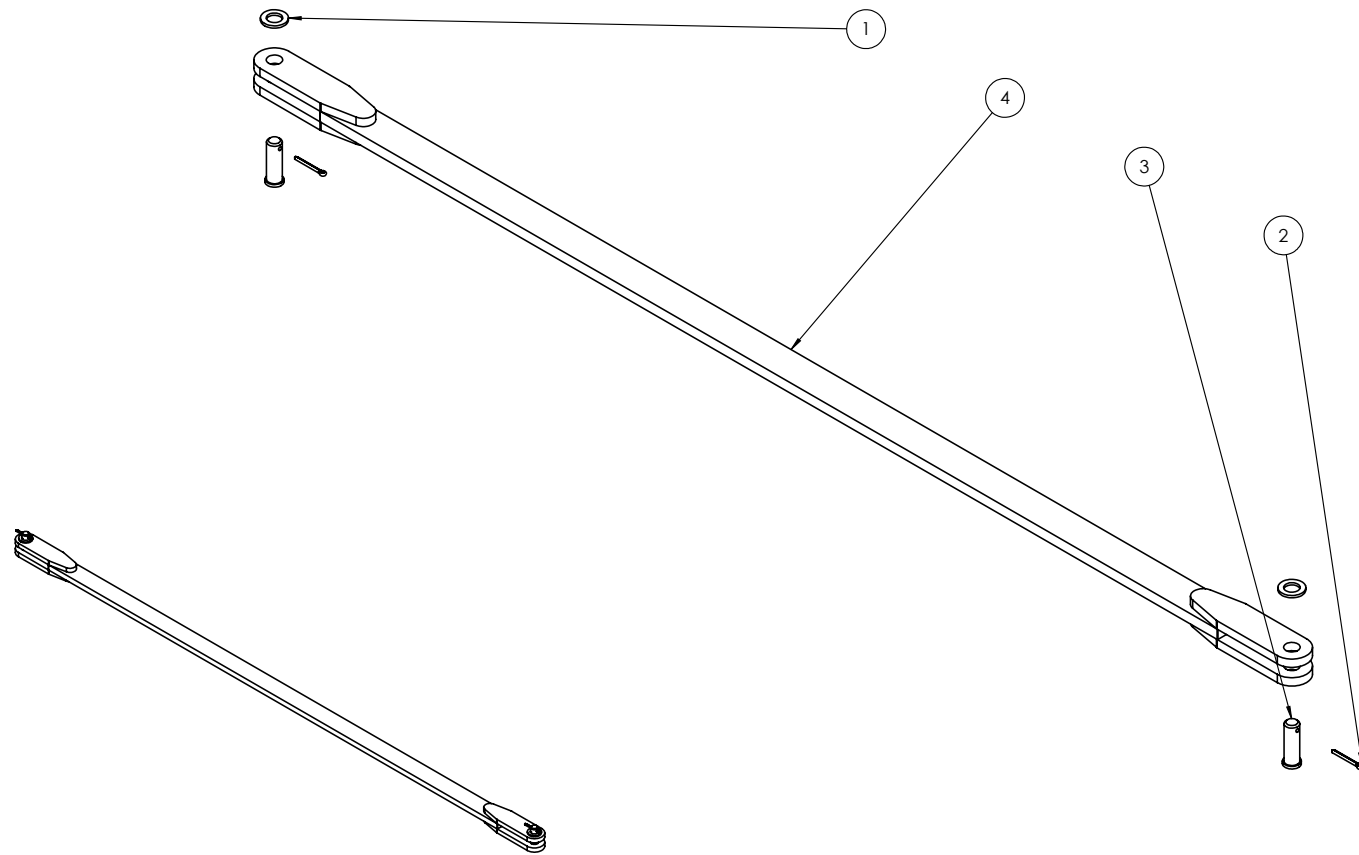
Part Number	Description	For Machines Built:	Revision
0810-151A	Hose Post Assembly	(0805-45R)-	B

ITEM NO.	PART NUMBER	Revision	DESCRIPTION	QTY.
1	0801-CFHG13		Clevis Grab Hook	1
2	0801-CMAH13N		Grade 80 Conn. Link 13mm	1
3	0801-KESCLA	B	Safety Latch Assembly	1
4	0810-CHHT13		Transport Chain 13mm @ 2.1m	1



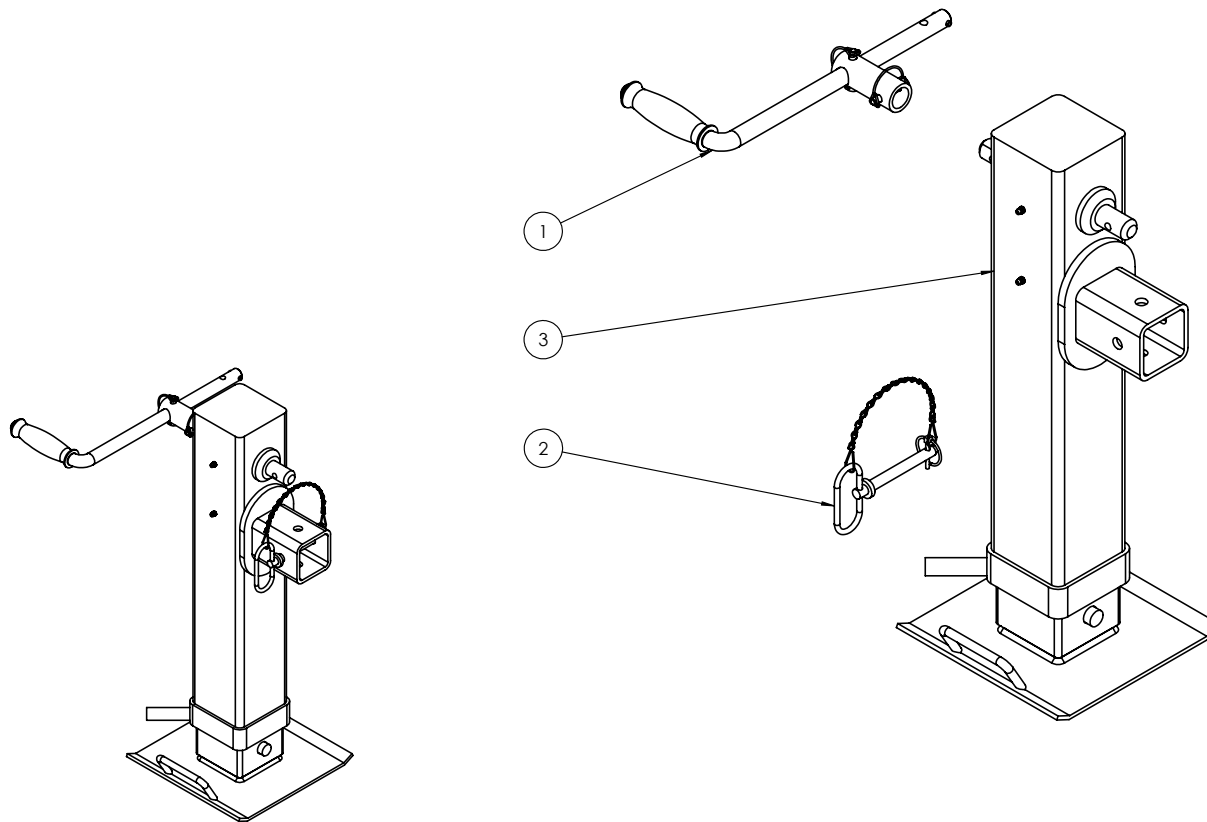
Part Number 0810-16	Description Safety Chain Assembly	For Machines Built: All (2008)-	Revision B
-------------------------------	---	------------------------------------	----------------------

ITEM NO.	PART NUMBER	Revision	DESCRIPTION	QTY.
1	0231-F24		Washer Flat M24	2
2	0261-PINC550	A	Cotter Pin M5 x 50	2
3	0801-KE0307-1	A	Clevis Pin 25mm x 75mm	2
4	0810-22	D-0	Parallel Arm	1



Part Number 0810-22A	Description Parallel Arm Assembly	For Machines Built: (08033-60)-	Revision B
--------------------------------	--------------------------------------	------------------------------------	----------------------

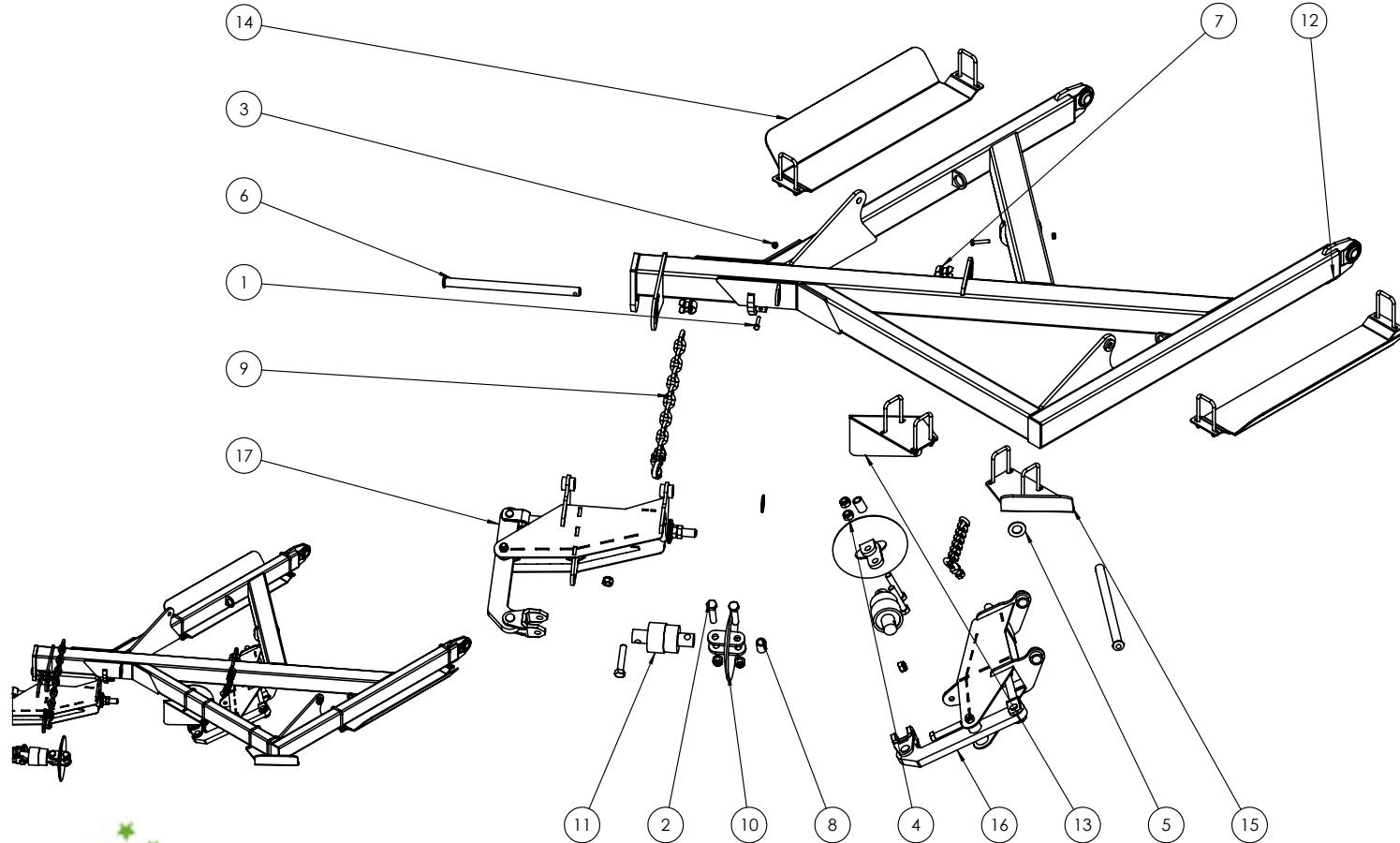
ITEM NO.	PART NUMBER	Revision	DESCRIPTION	QTY.
1	0801-622110HA	A	Jack Handle Assembly 4 Tonne	1
2	0801-B3077	A	Jack Pin	1
3	0810-37	A	Heavy Duty Jack	1



Part Number 0810-37A	Description Heavy Duty Jack Assembly	For Machines Built: 65'(112043-65)-	Revision A
--------------------------------	--	--	----------------------

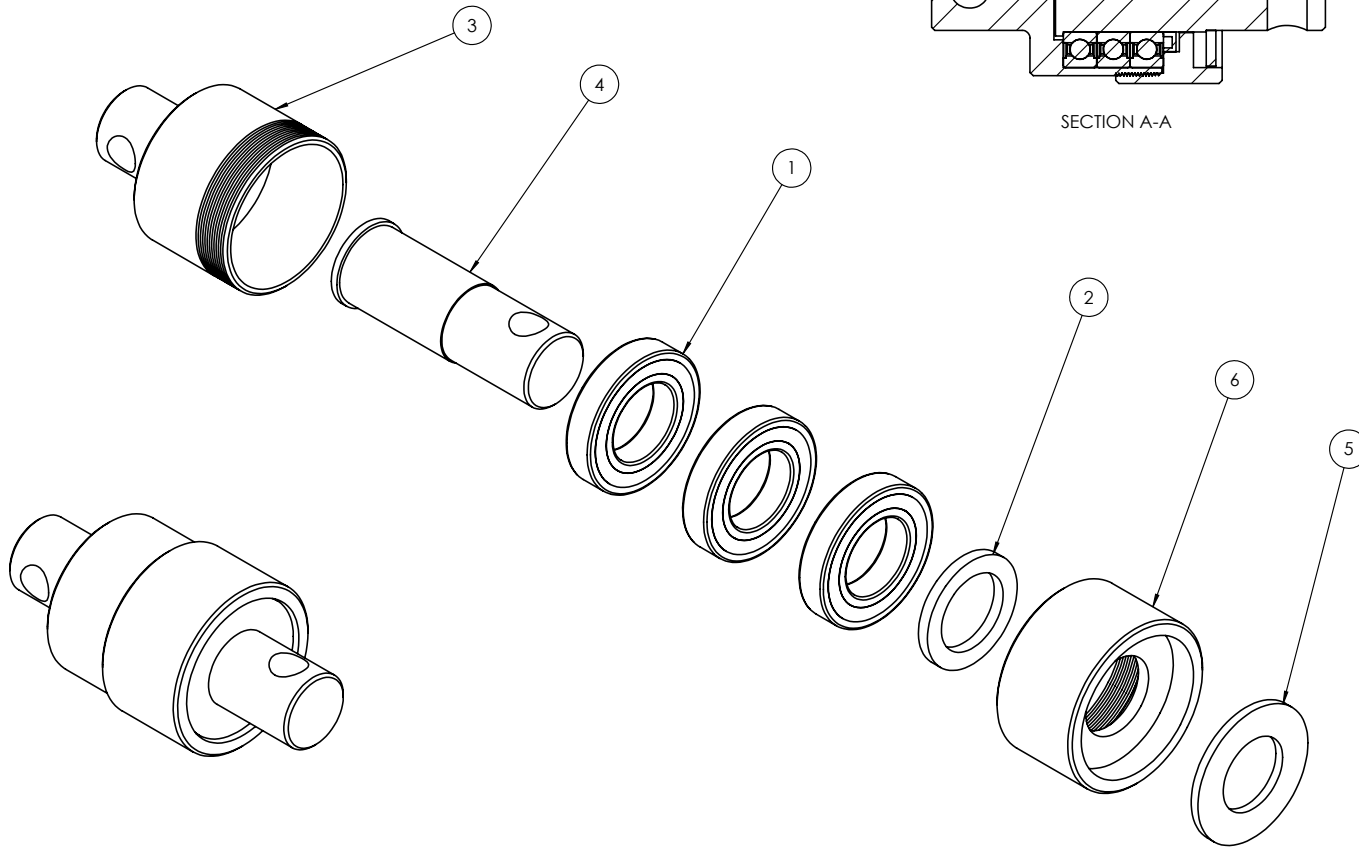
ITEM NO.	PART NUMBER	Revision	DESCRIPTION	QTY.
1	0211-1265		M12 x 65 grade 8.8 ZP Bolt	2
2	0211-24120ST	A	M24 x 120 grade 10.9 zp Short Thread Bolt	6
3	0221-NYL12		Nyloc Nut M12	2
4	0221-NYL24		Nyloc Nut M24	6
5	0232-HT13-8		Washer High Tensile 1 3/8"	2
6	0801-10-51	A	Chain Mount Pivot Pin	2
7	0801-KE014	B	Height Adjustor Retaining Clip	2
8	0801-PCDCS55	A	Tie Plate Bush	2

ITEM NO.	PART NUMBER	Revision	DESCRIPTION	QTY.
9	0801-PCH24MCA	A	Height Adjusting Chain Assembly	2
10	0802-DCTP-24	A	Disc Chain Tie Plate Link 24mm	2
11	0802-PCHB553	A	24mm Bolt Swivel Unit	2
12	0810-10	J-1	Rear Tail	1
13	0810-220	B	Tail Chain Stop Guard Assembly	1
14	0810-235	B	Rear Tail Guard Assembly	2
15	0810-498		Angled Chain Guard Assembly	1
16	0810-103RA-50-60	B	50-60' Rear Module Tension Assembly	1
17	0810-103FA-50-60	B	50-60" Front Module Tension Assembly	1



Part Number 0810-10A	Description Rear Tail Assembly	For Machines Built: (112038-62)-	Revision H-0
--------------------------------	--	-------------------------------------	------------------------

ITEM NO.	PART NUMBER	Revision	DESCRIPTION	QTY.
1	0112-6211		Bearing 6211 2RS	3
2	0121-TC5588		TC Seal 55mm x 80mm x 8mm	1
3	0801-PCHB553H	A	Housing to Suit PCHB553 Swivel	1
4	0801-PCHB553S	A	Shaft To Suit PCHB553 Swivel	1
5	0801-PCHB553WA	A	Washer To Suit PCHB553 Swivel	1
6	0801-PCHD553C	A	Cap To Suit PCHB553 Swivel	1



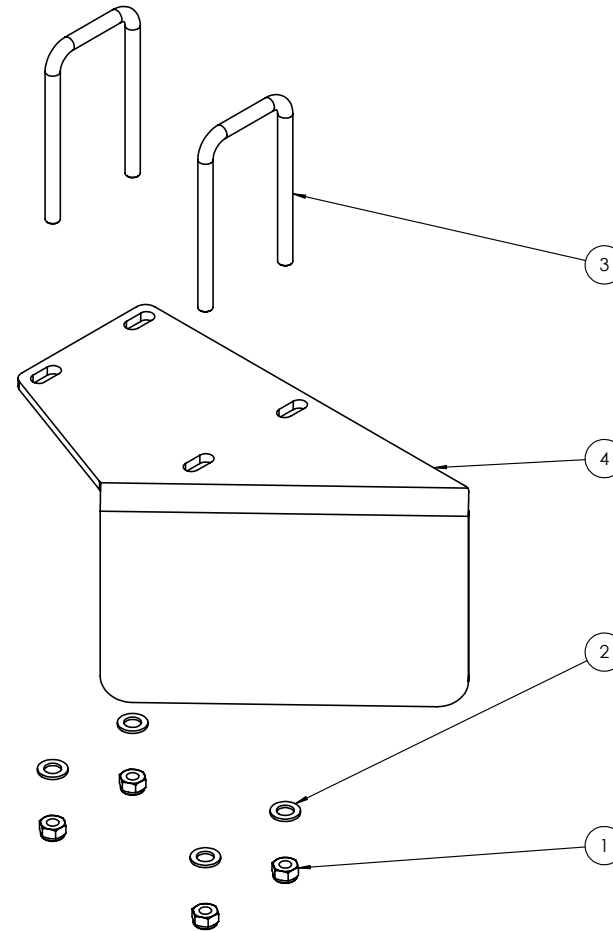
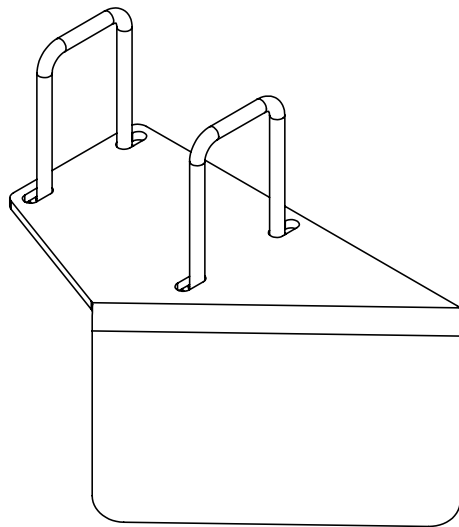
Part Number
0802-PCHB553

Description
24mm Bolt Swivel Unit

For Machines Built:
65'(112043-65)-

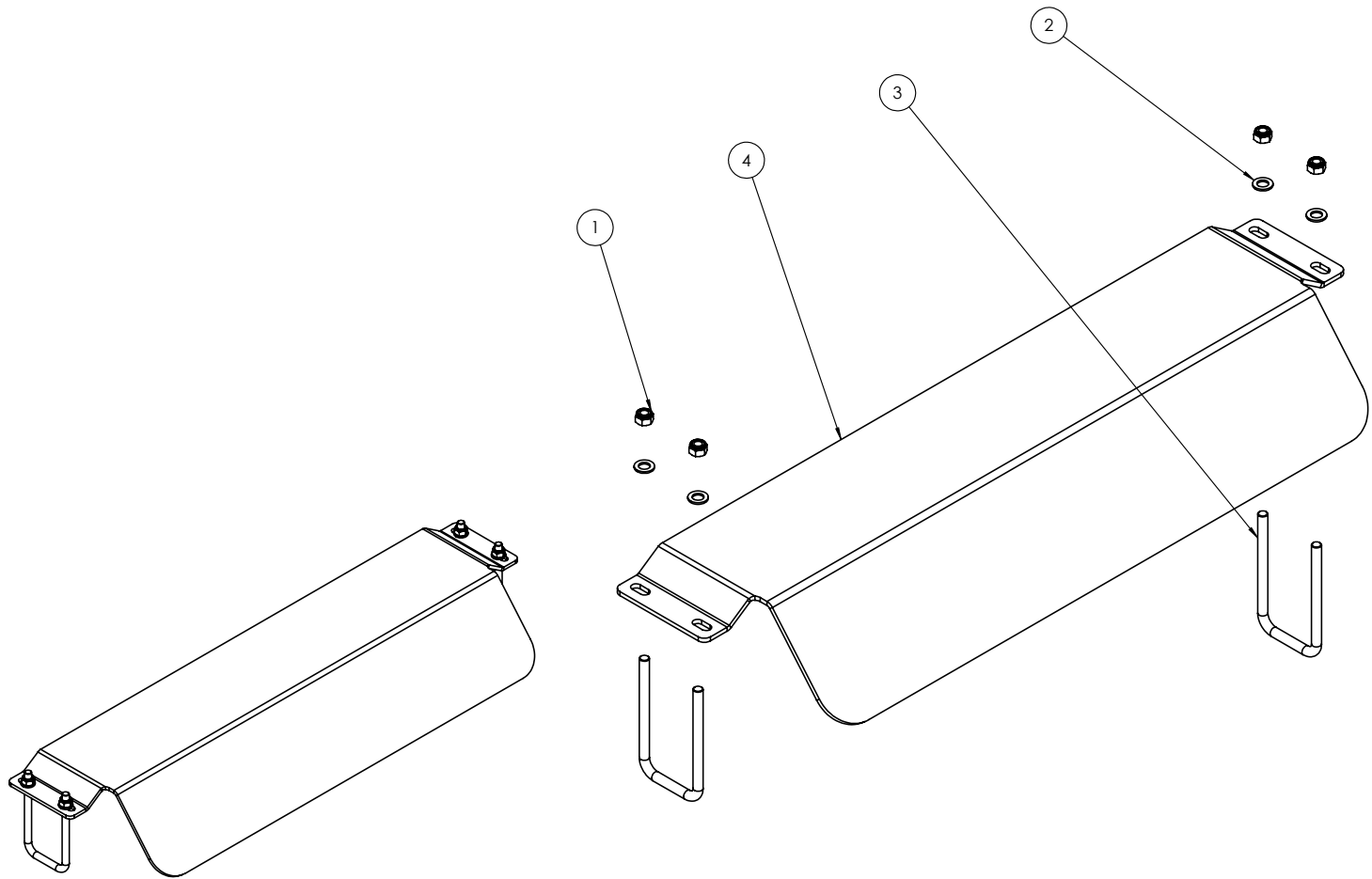
Revision
A

ITEM NO.	PART NUMBER	Revision	DESCRIPTION	QTY.
1	0221-NYL12		Nyloc Nut M12	4
2	0231-F12		Washer Flat M12	4
3	0271-1215577		U-Bolt M12 x 155 Deep x 77 Wide	2
4	0800-220.1	B	Tail Chain Stop Guard	1



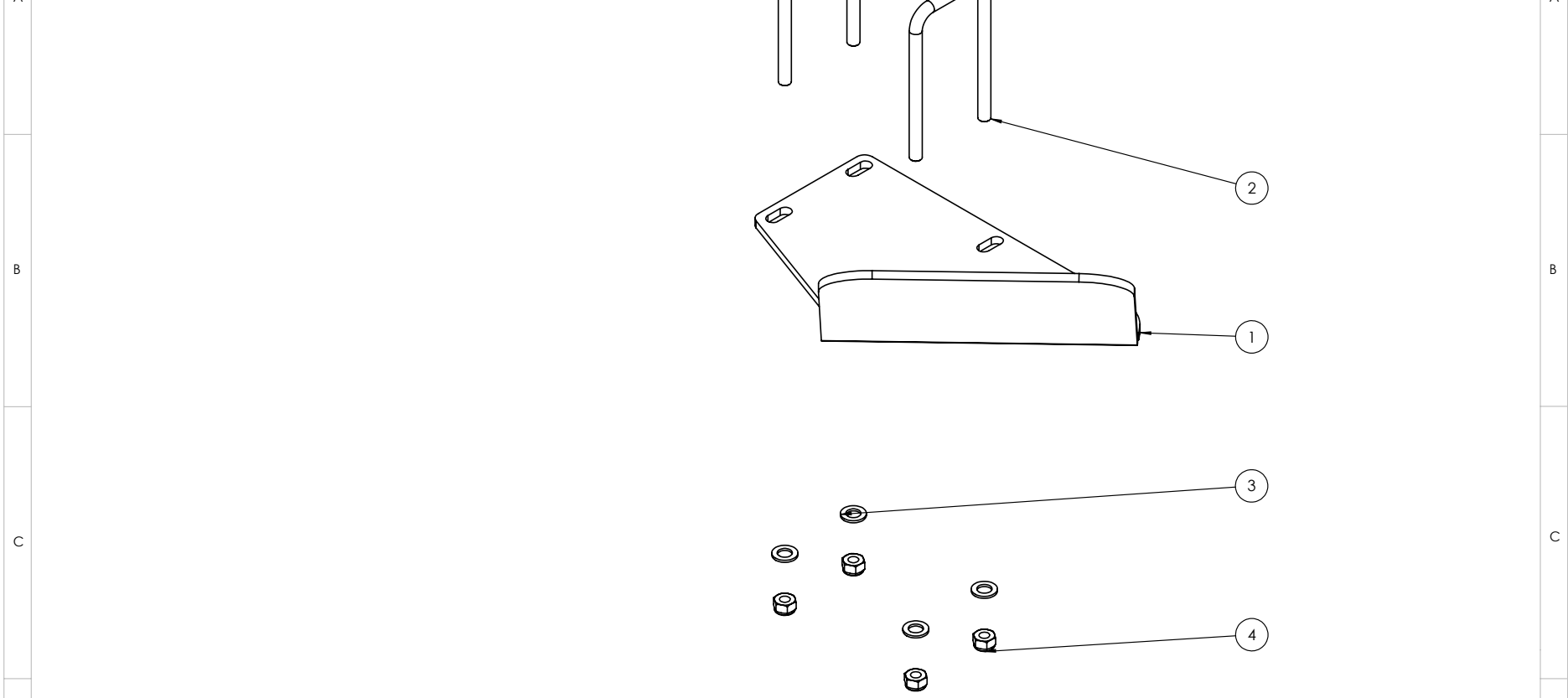
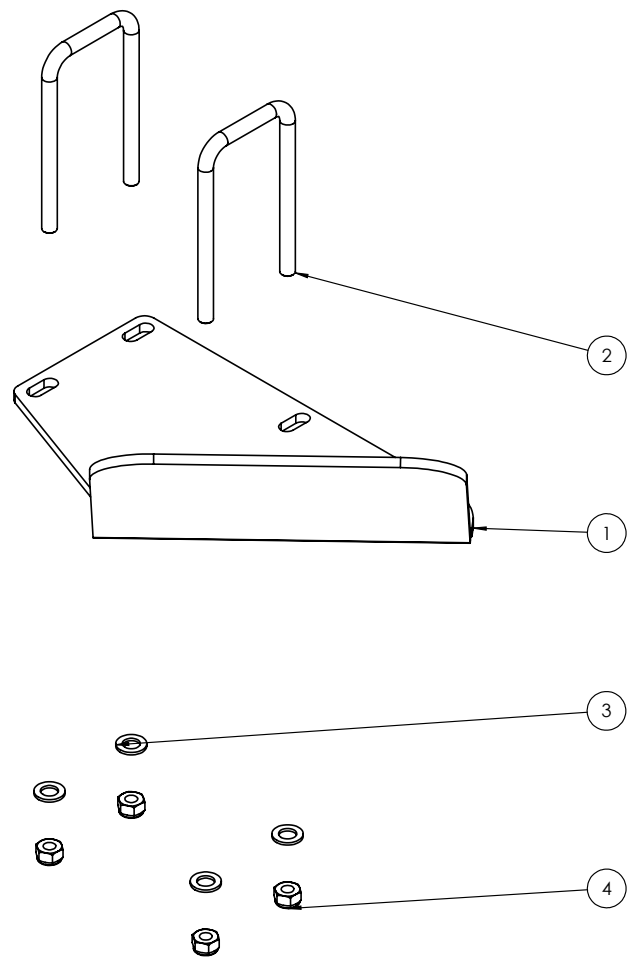
Part Number 0810-220	Description Tail Chain Stop Guard Assembly	For Machines Built: (112043-65)-	Revision B
--------------------------------	--	-------------------------------------	----------------------

ITEM NO.	PART NUMBER	Revision	DESCRIPTION	QTY.
1	0221-NYL12		Nyloc Nut M12	4
2	0231-F12		Washer Flat M12	4
3	0271-1215577		U-Bolt M12 x 155 Deep x 77 Wide	2
4	0800-235	B	Rear Tail Guard	1



Part Number 0810-235	Description Rear Tail Guard Assembly	For Machines Built: (1110224-50)-	Revision B
--------------------------------	--	--------------------------------------	----------------------

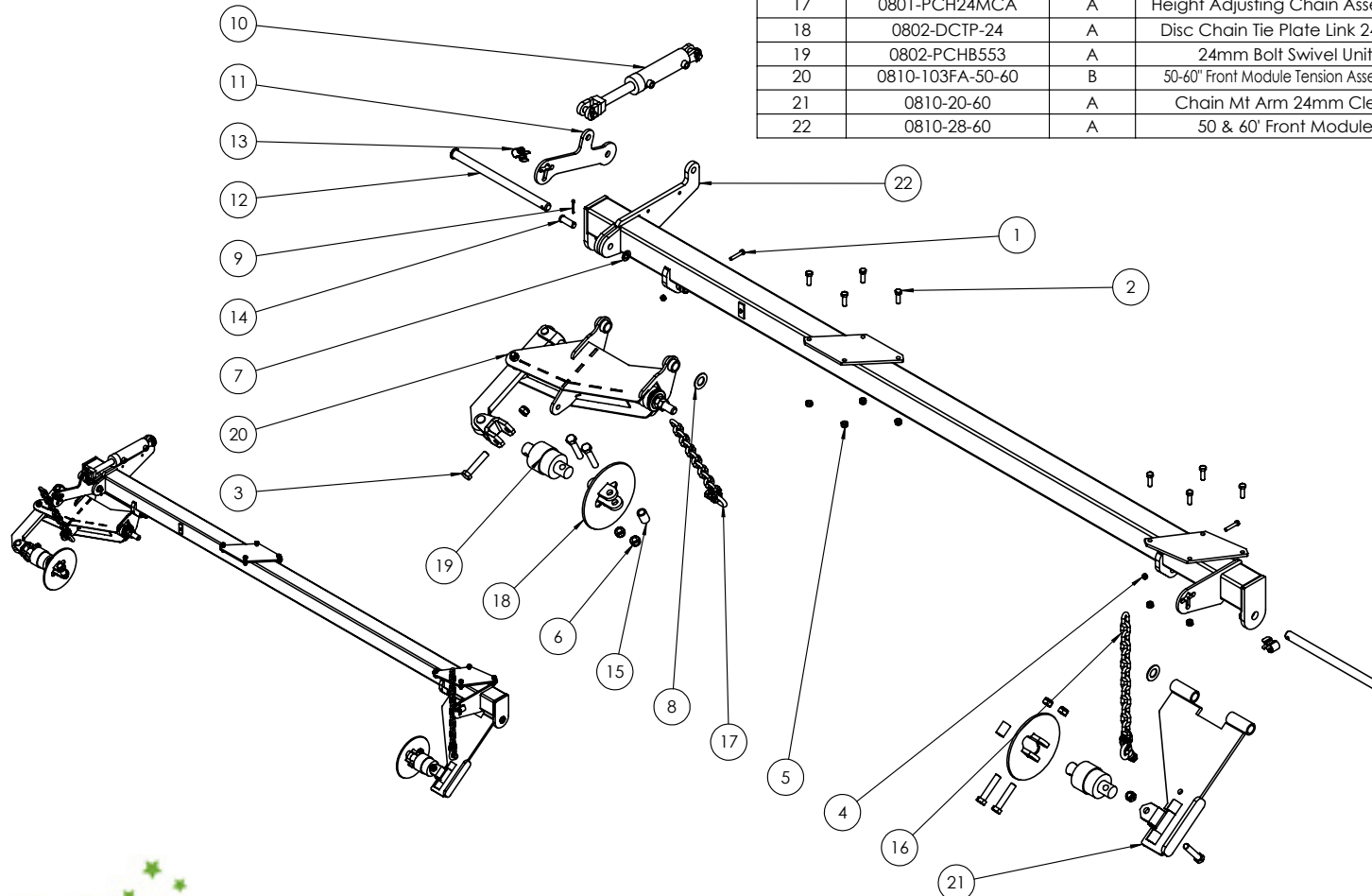
ITEM NO.	PART NUMBER	Revision	DESCRIPTION	QTY.
1	0800-498	B-0	Angled Chain Gaurd	1
2	0271-1215577		U-Bolt M12 x 155 Deep x 77 Wide	2
3	0231-F12		Washer Flat M12	4
4	0221-NYL12		Nyloc Nut M12	4



				DO NOT SCALE DRAWING		REVISION	
				Tolerance (UNO) .XX ± 0.1mm .X ± 0.2mm X ± 0.5mm XX ± 1.0mm XXX ± 2.0mm XXXX ± 3.0mm .X* ± 0.1" X* ± 0.5"		TITLE: <h2 style="text-align: center;">Angled Chain Guard Assembly</h2>	
Rev	Date	Revision Description		For Machines Built: (112043-65)-		DWG NO. 0810-498	
				NAME	SIGNATURE	DATE	A4
				DRAWN	O Clothier	05/05/2016	
				CHK'D			
1		2		APPV'D		WEIGHT: 8.440 Kg Kg	SCALE: 1:5
						SHEET 1 OF 1	

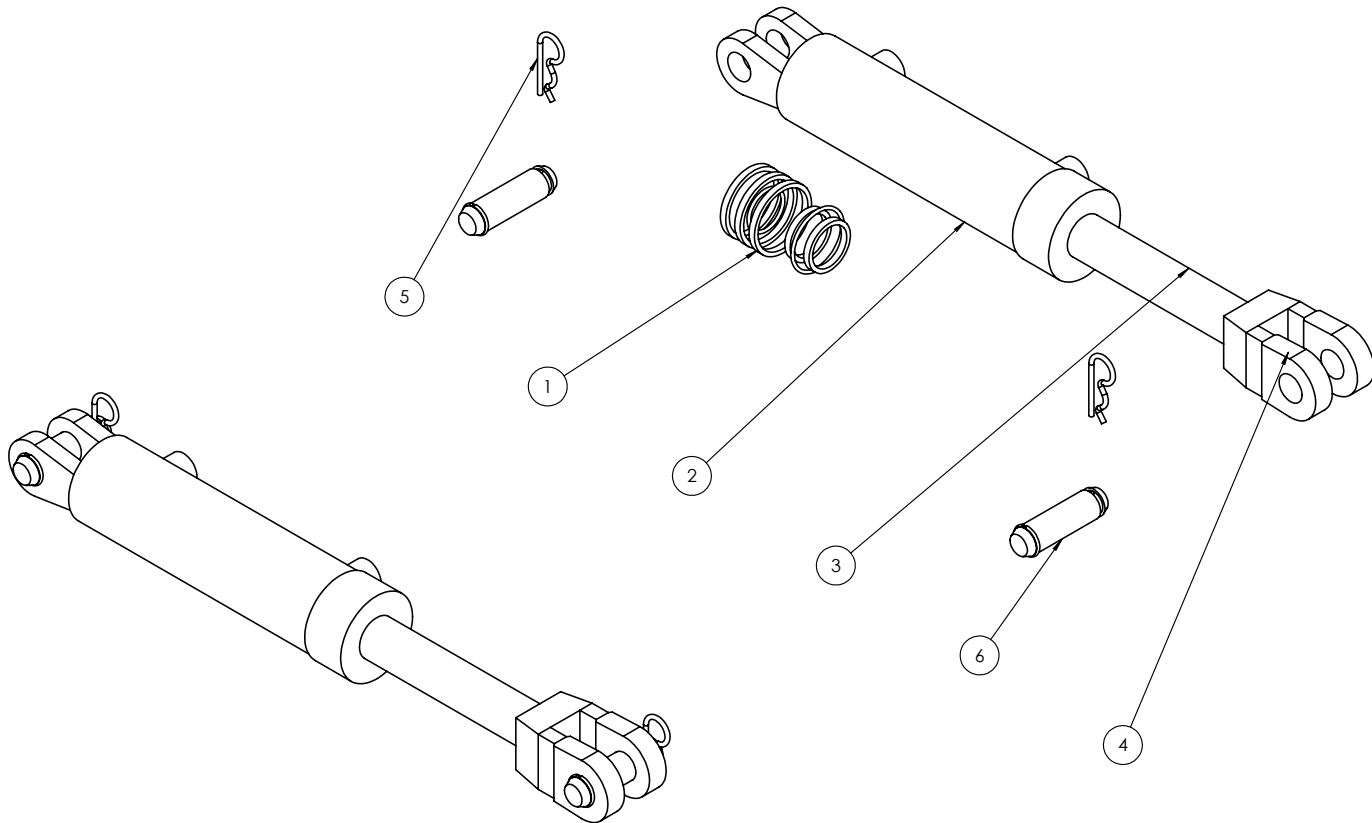
ITEM NO.	PART NUMBER	Revision	DESCRIPTION	QTY.
1	0211-1265	A	M12 x 65 8.8 zp Bolt	2
2	0211-1650	A	M16 x 50 8.8 zp Bolt	8
3	0211-24120ST	A	M24 x 120 Short Thread 8.8 zp Bolt	6
4	0221-NYL12		M12 Nyloc Nut	2
5	0221-NYL16		M16 Nyloc Nut	8
6	0221-NYL24		M24 Nyloc Nut	6
7	0231-F24		M24 zp Flat Washer	1
8	0232-HT13-8		Washer High Tensile 1 3/8"	2

ITEM NO.	PART NUMBER	Revision	DESCRIPTION	QTY.
9	0261-PINC550	A	Cotter Pin M5 x 50	1
10	0311-5041	A	Hyd Cylinder 2.5" x 6" Side Port	1
11	0800-120.3	B	Module Lift Plate	1
12	0801-10-51	A	Chain Mount Pivot Pin	2
13	0801-KE014	B	Height Adjustor Retaining Clip	2
14	0801-KE0307-1	A	Clevis Pin 25mm x 75mm	1
15	0801-PCDCS55	A	Tie Plate Bush	2
16	0801-PCH24MCA	A	Height Adjusting Chain Assembly	1
17	0801-PCH24MCA	A	Height Adjusting Chain Assembly	1
18	0802-DCTP-24	A	Disc Chain Tie Plate Link 24mm	2
19	0802-PCHB553	A	24mm Bolt Swivel Unit	2
20	0810-103FA-50-60	B	50-60' Front Module Tension Assembly	1
21	0810-20-60	A	Chain Mt Arm 24mm Clevis	1
22	0810-28-60	A	50 & 60' Front Module	1



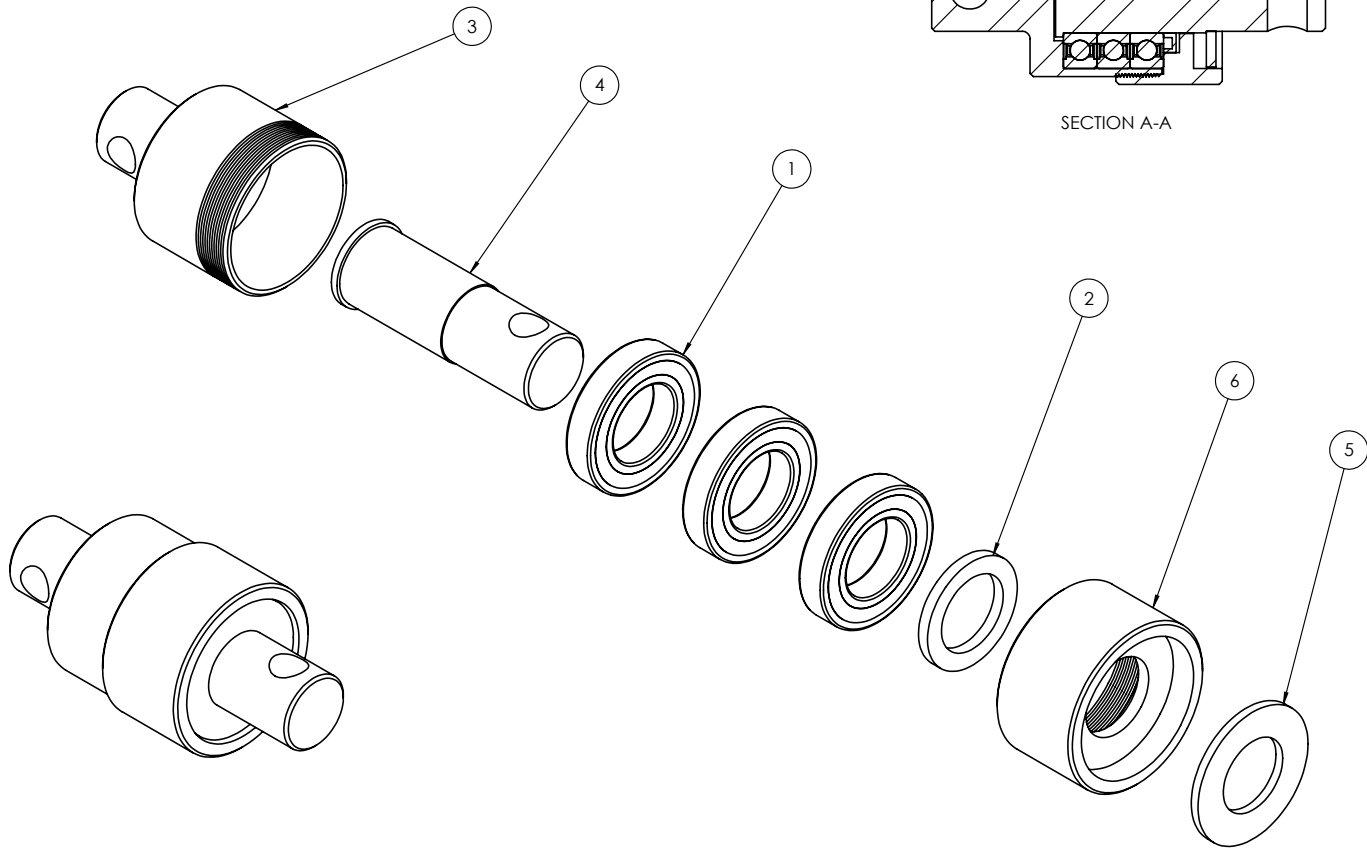
Part Number	Description	For Machines Built:	Revision
0810-28-60A	50-60' Front Module Assembly	(10019-60)-	B

ITEM NO.	PART NUMBER	Revision	DESCRIPTION	QTY.
1	0312-EF0006		Seal Kit 2.5"	1
2	0313-5041B	A	2.5" x 6" Cylinder Barrel Side Port	1
3	0313-5041R	A	2.5" x 6" Cylinder Rod	1
4	0313-6002C		Clevis For 2957, 5041, 6002, 2958 Cylinders	1
5	0511-RCLIP4		R Clip 4mm	2
6	0801-44082938	A	Clevis Pin 1" x 75mm	2



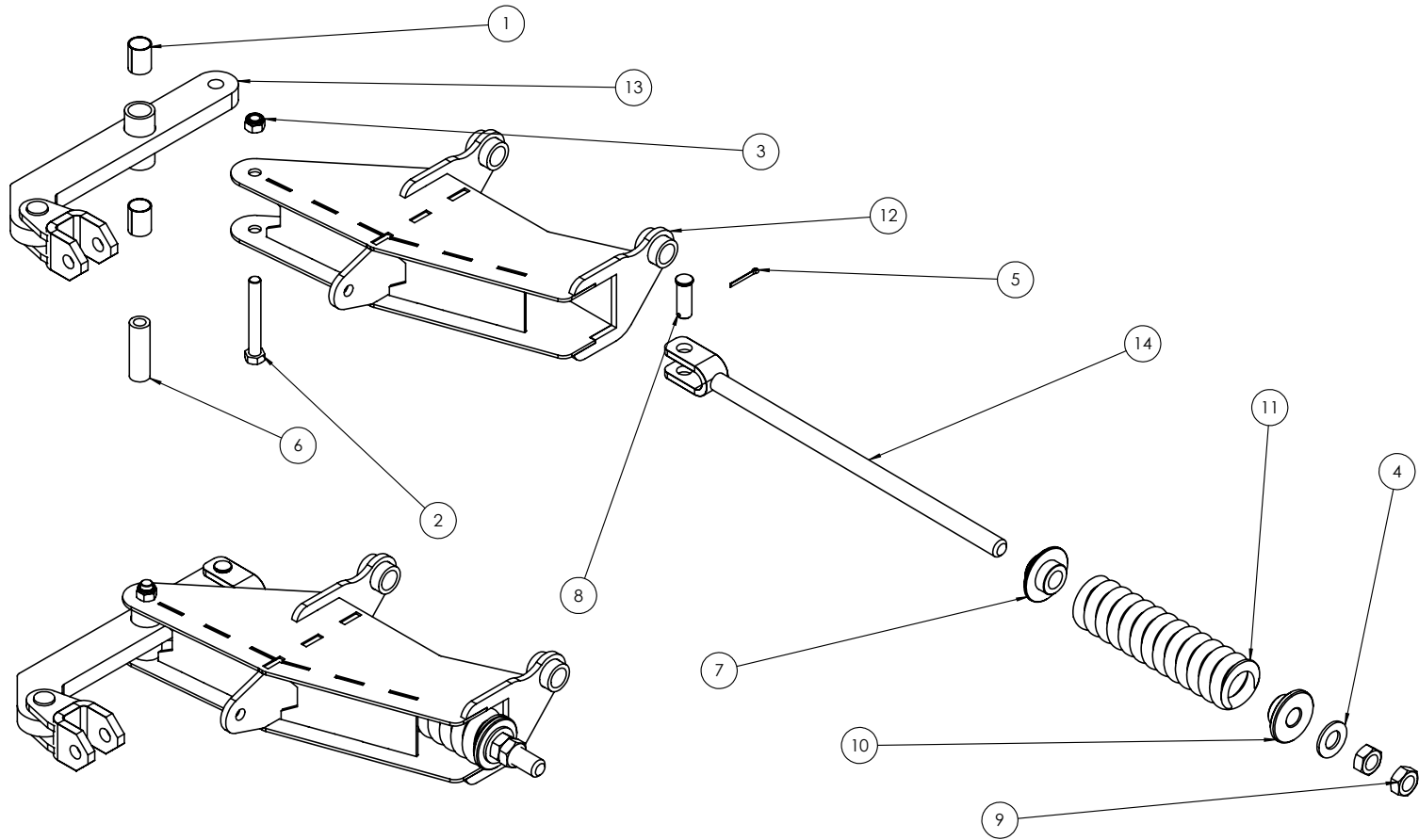
Part Number 0311-5041	Description Hyd Cylinder 2.5" x 6" Side Port	For Machines Built: All(2008)-	Revision A
---------------------------------	---	-----------------------------------	---------------

ITEM NO.	PART NUMBER	Revision	DESCRIPTION	QTY.
1	0112-6211		Bearing 6211 2RS	3
2	0121-TC5588		TC Seal 55mm x 80mm x 8mm	1
3	0801-PCHB553H	A	Housing to Suit PCHB553 Swivel	1
4	0801-PCHB553S	A	Shaft To Suit PCHB553 Swivel	1
5	0801-PCHB553WA	A	Washer To Suit PCHB553 Swivel	1
6	0801-PCHD553C	A	Cap To Suit PCHB553 Swivel	1



0802-PCHB553	24mm Bolt Swivel Unit	For Machines Built: 65'(112043-65)-	Revision A
---------------------	-----------------------	--	----------------------

ITEM NO.	PART NUMBER	Revision	DESCRIPTION	QTY.	ITEM NO.	PART NUMBER	Revision	DESCRIPTION	QTY.
1	0113-MB 3550DX	A	35 ID x 50mm DX Bush	2	8	0801-KE0307-1	A	Clevis Pin 25mm x 75mm	1
2	0211-20150	A	M20 x 150 8.8 zp Bolt	1	9	0801-PCHTA-N6	A	1 1/4" 6 tpi ACME Lock Nut	2
3	0221-NYL20		M20 Nyloc Nut	1	10	0801-PCHTA-SB	B	Steel Spring Retaining Bush	1
4	0232-HT11-4		Washer High Tensile 1 1/4"	1	11	0801-XK9261S	A	20mm Compression Spring	1
5	0261-PINC550	A	Cotter Pin M5 x 50	1	12	0810-103F	B	Front Module Tension Body	1
6	0801-10-110	B	Module Pivot Arm Bush	1	13	0810-104-50-60	A	40/45' Module Tension Arm	1
7	0801-10-S2L	A	Rigid Spring Locator	1	14	0810-105	B	Module Tension Linkage	1



Part Number
0810-103FA-50-60

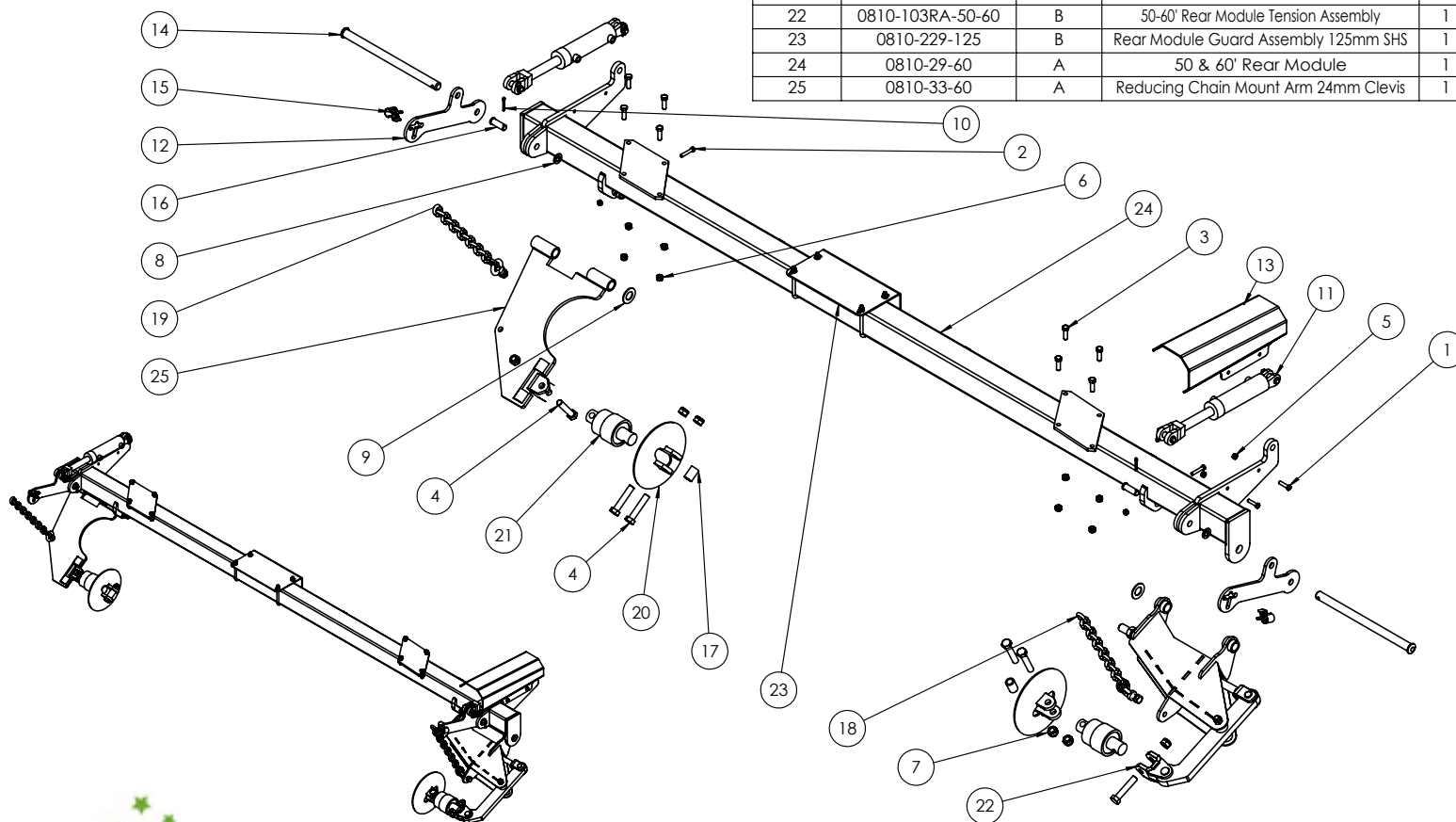
Description
50-60" Front Module Tension Assembly

For Machines Built:
10/3/10 (10016-45R)-

Revision
B

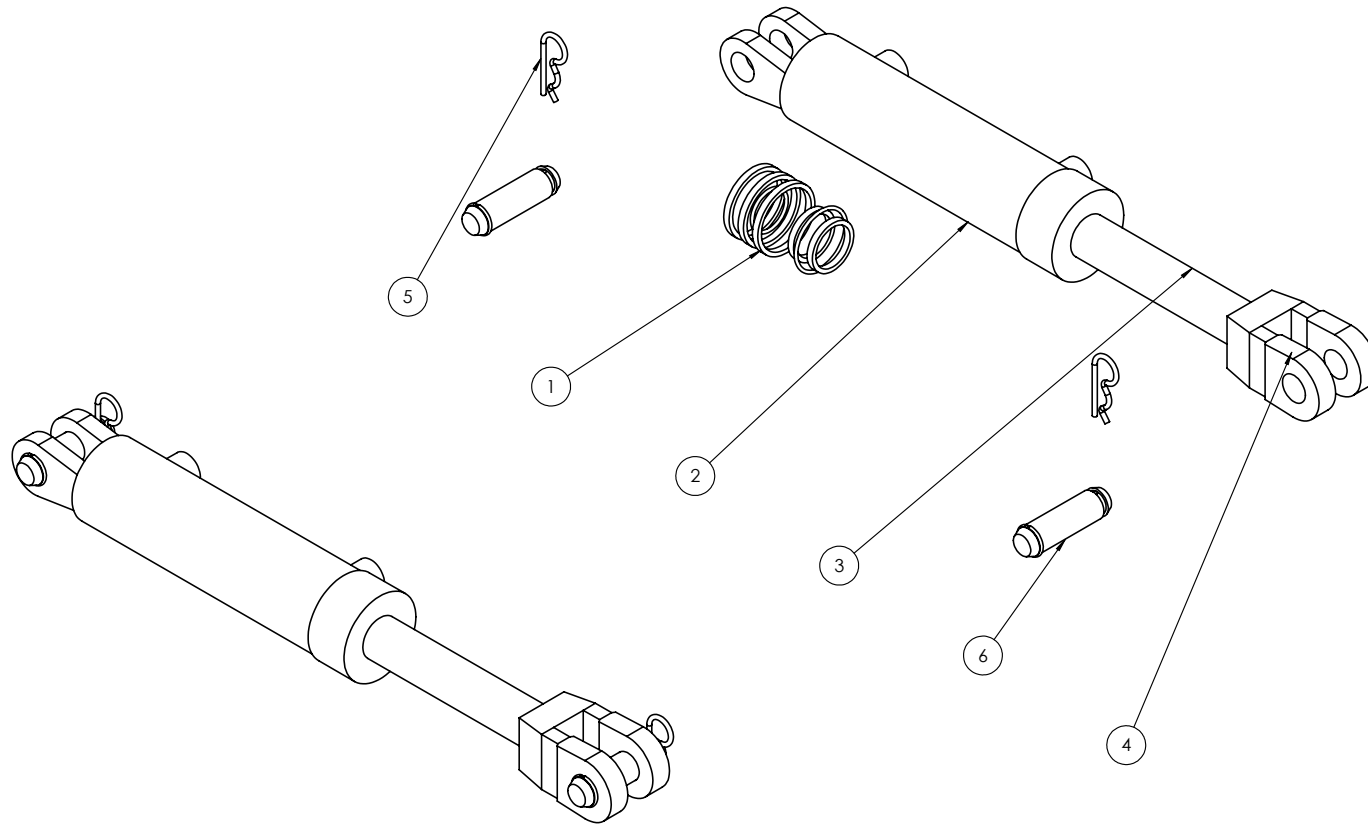
ITEM NO.	PART NUMBER	Revision	DESCRIPTION	QTY.
1	0211-1250	A	M12 x 50 8.8 zp Bolt	2
2	0211-1265	A	M12 x 65 8.8 zp Bolt	2
3	0211-1650	A	M16 x 50 8.8 zp Bolt	8
4	0211-24120ST	A	M24 x 120 Short Thread 8.8 zp Bolt	6
5	0221-NYL12		M12 Nyloc Nut	4
6	0221-NYL16		M16 Nyloc Nut	8
7	0221-NYL24		M24 Nyloc Nut	6
8	0231-F24		M24 zp Flat Washer	2
9	0232-HT13-8		Washer High Tensile 1 3/8"	2
10	0261-PINC550	A	Cotter Pin M5 x 50	2

ITEM NO.	PART NUMBER	Revision	DESCRIPTION	QTY.
11	0311-5041	A	Hyd Cylinder 2.5" x 6" Side Port	2
12	0800-120.3	B	Module Lift Plate	2
13	0800-167.3	B	Module Cylinder Guard	1
14	0801-10-51	A	Chain Mount Pivot Pin	2
15	0801-KE014	B	Height Adjustor Retaining Clip	2
16	0801-KE0307-1	A	Clevis Pin 25mm x 75mm	2
17	0801-PCDCS55	A	Tie Plate Bush	2
18	0801-PCH24MCA	A	Height Adjusting Chain Assembly	1
19	0801-PCH24MCA	A	Height Adjusting Chain Assembly	1
20	0802-DCTP-24	A	Disc Chain Tie Plate Link 24mm	2
21	0802-PCHB553	A	24mm Bolt Swivel Unit	2
22	0810-103RA-50-60	B	50-60' Rear Module Tension Assembly	1
23	0810-229-125	B	Rear Module Guard Assembly 125mm SHS	1
24	0810-29-60	A	50 & 60' Rear Module	1
25	0810-33-60	A	Reducing Chain Mount Arm 24mm Clevis	1



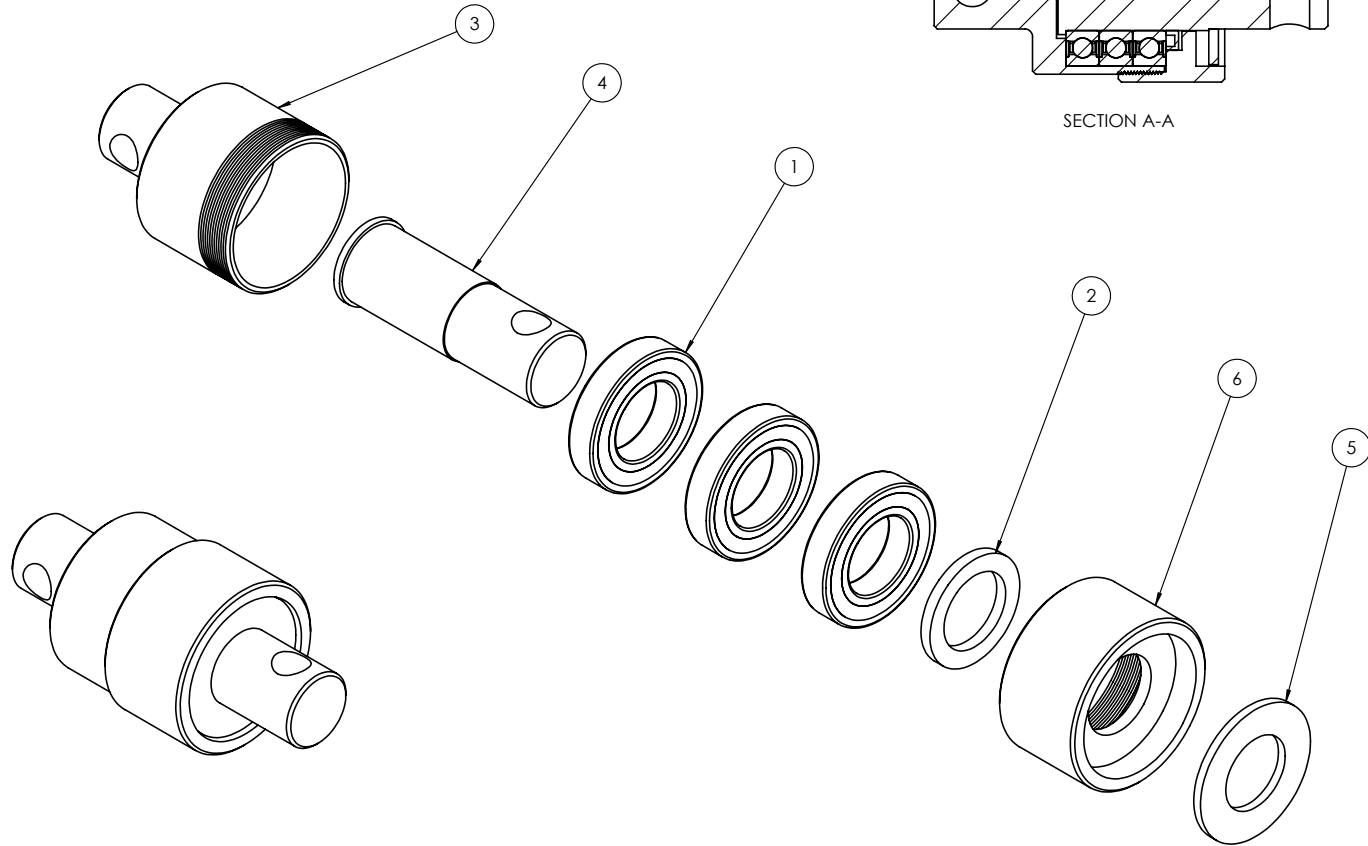
Part Number 0810-29-60A	Description 50-60' Rear Module Assembly	For Machines Built: (10019-60)-	Revision B
-----------------------------------	---	------------------------------------	----------------------

ITEM NO.	PART NUMBER	Revision	DESCRIPTION	QTY.
1	0312-EF0006		Seal Kit 2.5"	1
2	0313-5041B	A	2.5" x 6" Cylinder Barrel Side Port	1
3	0313-5041R	A	2.5" x 6" Cylinder Rod	1
4	0313-6002C		Clevis For 2957, 5041, 6002, 2958 Cylinders	1
5	0511-RCLIP4		R Clip 4mm	2
6	0801-44082938	A	Clevis Pin 1" x 75mm	2



Part Number 0311-5041	Description Hyd Cylinder 2.5" x 6" Side Port	For Machines Built: All(2008)-	Revision A
---------------------------------	---	-----------------------------------	----------------------

ITEM NO.	PART NUMBER	Revision	DESCRIPTION	QTY.
1	0112-6211		Bearing 6211 2RS	3
2	0121-TC5588		TC Seal 55mm x 80mm x 8mm	1
3	0801-PCHB553H	A	Housing to Suit PCHB553 Swivel	1
4	0801-PCHB553S	A	Shaft To Suit PCHB553 Swivel	1
5	0801-PCHB553WA	A	Washer To Suit PCHB553 Swivel	1
6	0801-PCHD553C	A	Cap To Suit PCHB553 Swivel	1



Part Number
0802-PCHB553

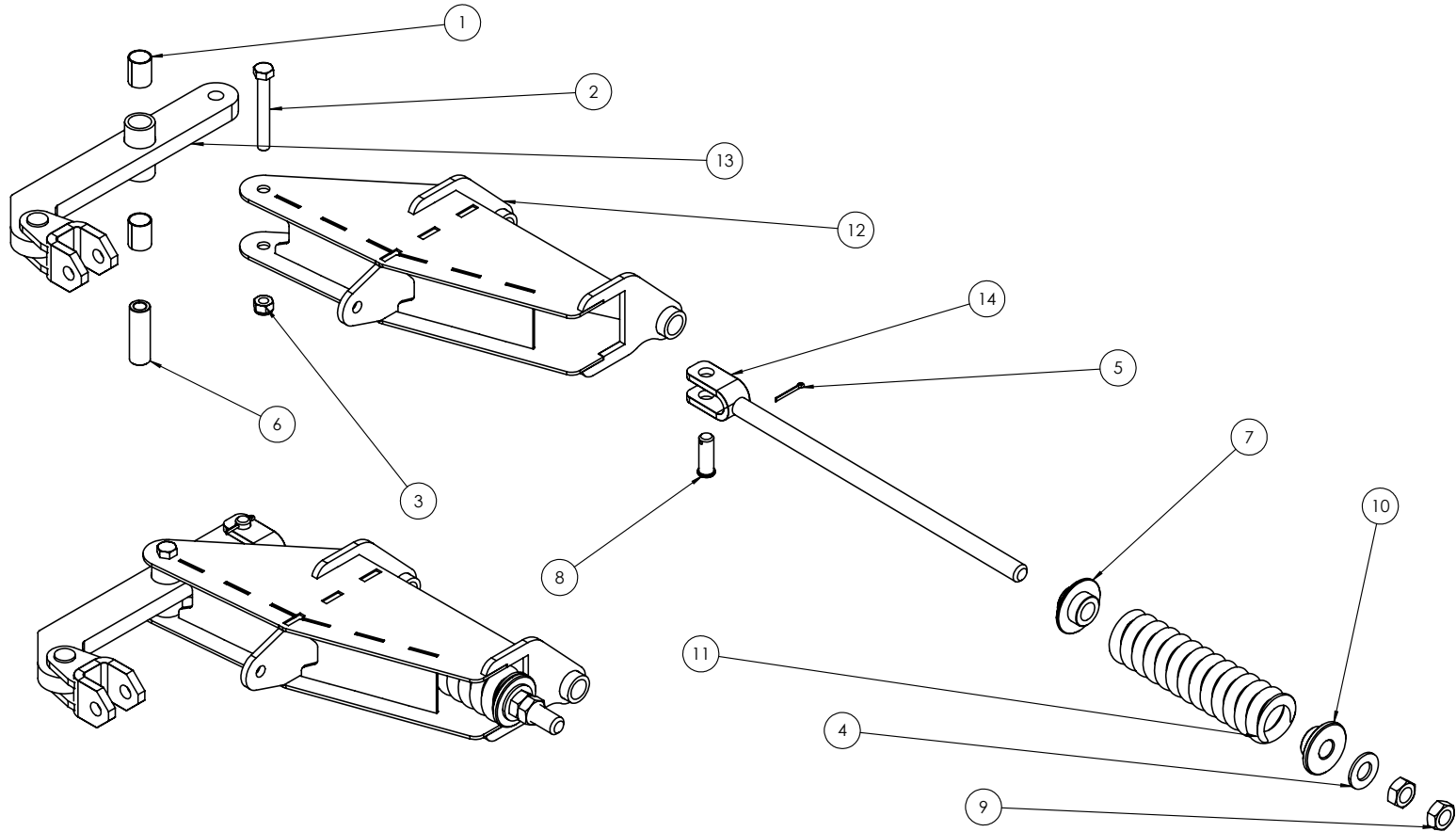
Description
24mm Bolt Swivel Unit

For Machines Built:
65'(112043-65)-

Revision
A

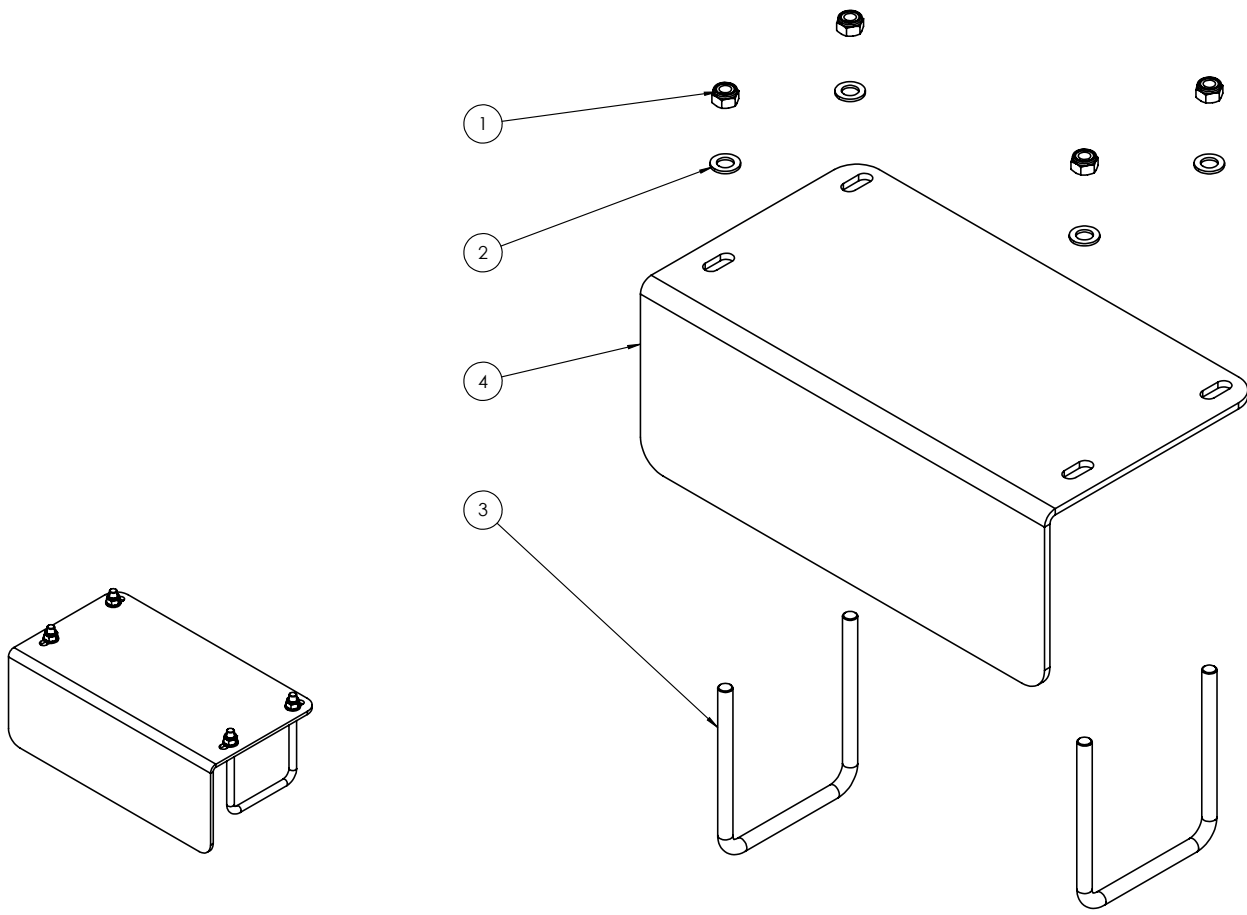
ITEM NO.	PART NUMBER	Revision	DESCRIPTION	QTY.
1	0113-MB 3550DX	A	35 ID x 50mm DX Bush	2
2	0211-20150	A	M20 x 150 8.8 zp Bolt	1
3	0221-NYL20		M20 Nylloc Nut	1
4	0232-HT11-4		Washer High Tensile 1 1/4"	1
5	0261-PINC550	A	Cotter Pin M5 x 50	1
6	0801-10-110	B	Module Pivot Arm Bush	1
7	0801-10-S2L	A	Rigid Spring Locator	1

ITEM NO.	PART NUMBER	Revision	DESCRIPTION	QTY.
8	0801-KE0307-1	A	Clevis Pin 25mm x 75mm	1
9	0801-PCHTA-N6	A	1 1/4" 6 tpi ACME Lock Nut	2
10	0801-PCHTA-SB	B	Steel Spring Retaining Bush	1
11	0801-XK9261S	A	20mm Compression Spring	1
12	0810-103R	B	Rear Module Tension Body	1
13	0810-104-50-60	A	40/45' Module Tension Arm	1
14	0810-105	B	Module Tension Linkage	1



Part Number	Description	For Machines Built:	Revision
0810-103RA-50-60	50-60' Rear Module Tension Assembly	10/3/10 (10016-45R)-	B

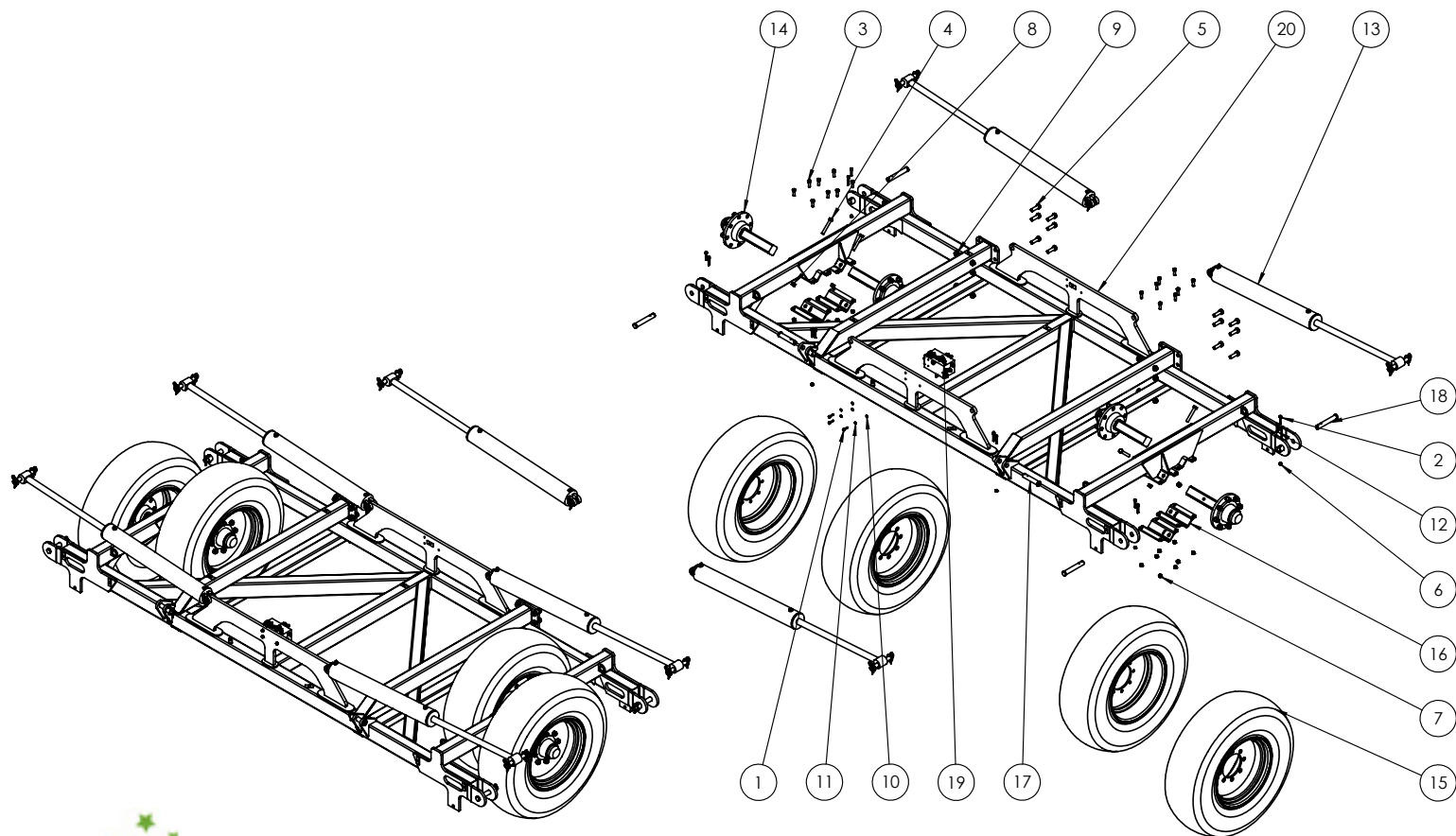
ITEM NO.	PART NUMBER	Revision	DESCRIPTION	QTY.
1	0221-NYL12		M12 Nyloc Nut	4
2	0231-F12		M12 zp Flat Washer	4
3	0271-12155127	A	U-Bolt M12 x 155 Deep x 127 Wide	2
4	0800-229.1	B	Rear Module Guard 60'/65'	1



Part Number 0810-229-125	Description Rear Module Guard Assembly 125mm SHS	For Machines Built: (112040-60)-	Revision B
------------------------------------	---	-------------------------------------	----------------------

ITEM NO.	PART NUMBER	Revision	DESCRIPTION	QTY.
1	0211-1040	A	M10 x 40 8.8 zp Bolt	3
2	0211-1265	A	M12 x 65 8.8 zp Bolt	6
3	0211-1650	A	M16 x 50 8.8 zp Bolt	16
4	0211-20130	A	M20 x 130 8.8 zp Bolt	4
5	0211-2475	A	M24 x 75 8.8 zp Bolt	12
6	0221-NYL12		M12 Nyloc Nut	6
7	0221-NYL16		M16 Nyloc Nut	16
8	0221-NYL20		M20 Nyloc Nut	4
9	0221-NYL24		M24 Nyloc Nut	12
10	0231-F10		M10 zp Flat Washer	3

ITEM NO.	PART NUMBER	Revision	DESCRIPTION	QTY.
11	0231-S10		M10 zp Spring Washer	3
12	0261-PINC1363		Cotter Pin M13 x 63	6
13	0311-2956	A	Hyd Cylinder 5" x 36"	4
14	0733-90	A	90 Series Stub Axle (Stub and Hub Complete)	4
15	0751-15.5-80-248STR	A	15.5/80/24 Tyre on 8 Stud Rim	4
16	0800-253	B	60CT Axle Mount Plate	4
17	0801-10-08-175	A	Tail Frame Pivot pin	2
18	0801-10-08-235	A	PCH Wing Pivot Pin	4
19	0802-SV688712	B	3 Stage Kickdown Sequence Valve	1
20	0860CT-01	A	60CT Centre Frame	1



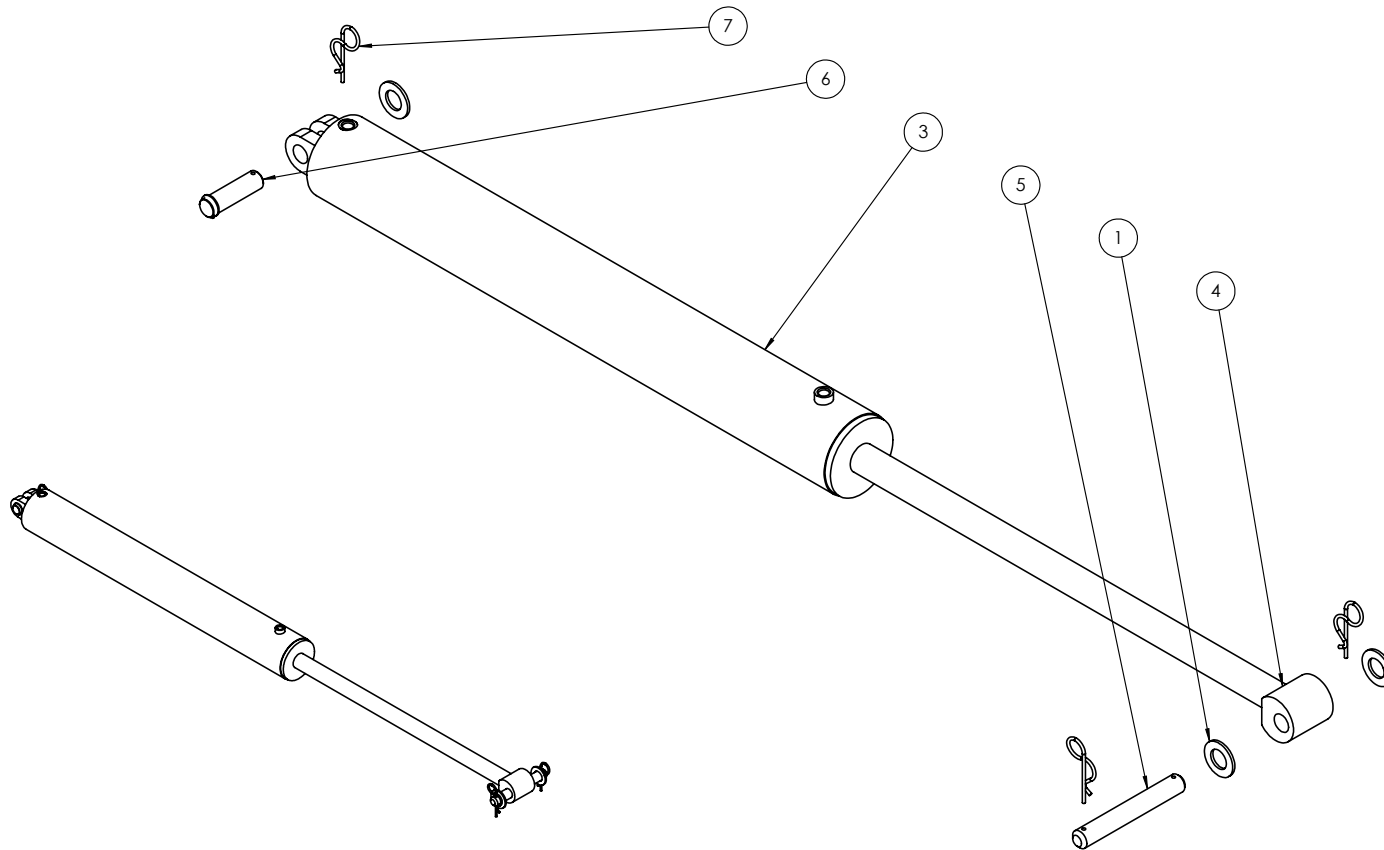
Part Number
0860CT-01A

Description
60CT Centre Frame Assembly

For Machines Built:
113060-60CT -

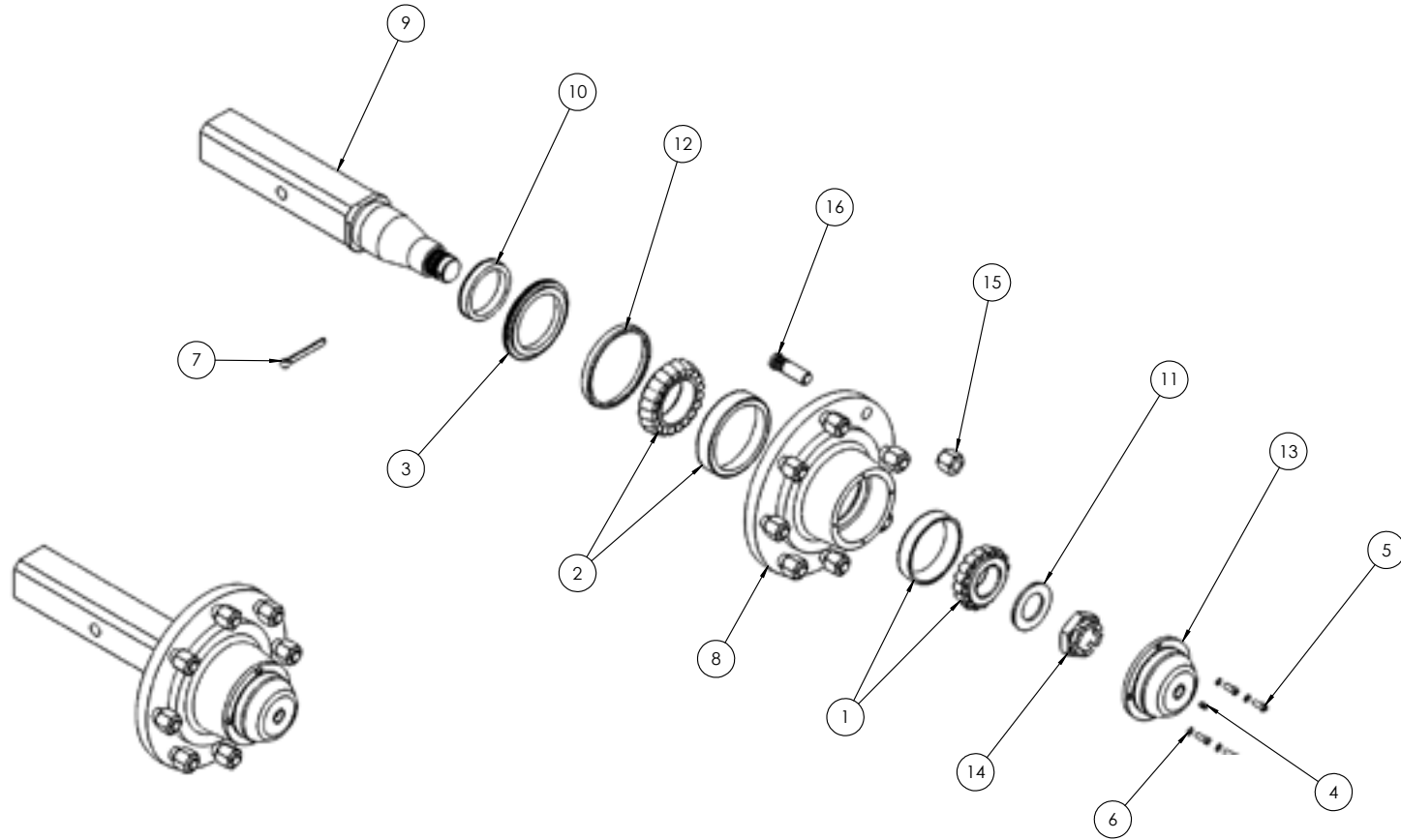
Revision
A

ITEM NO.	PART NUMBER	Revision	DESCRIPTION	60CT/QTY.
1	0232-F11-4		Washer Flat 1 1/4"	3
2	0312-EF2956		Seal Kit 5"	1
3	0313-2956B	A	5" x 36" Hydraulic Cylinder Barrel	1
4	0313-2956R	A	5" x 36" Hydraulic Cylinder Rod	1
5	0801-44102956-1	B	Cylinder Pin 1 1/4" x 230mm 4140	1
6	0801-44102956-2	A	1 1/4" x 116mm Cylinder Pin	1
7	0801-KE012	A	S Locking Pin Clip 5mm	3



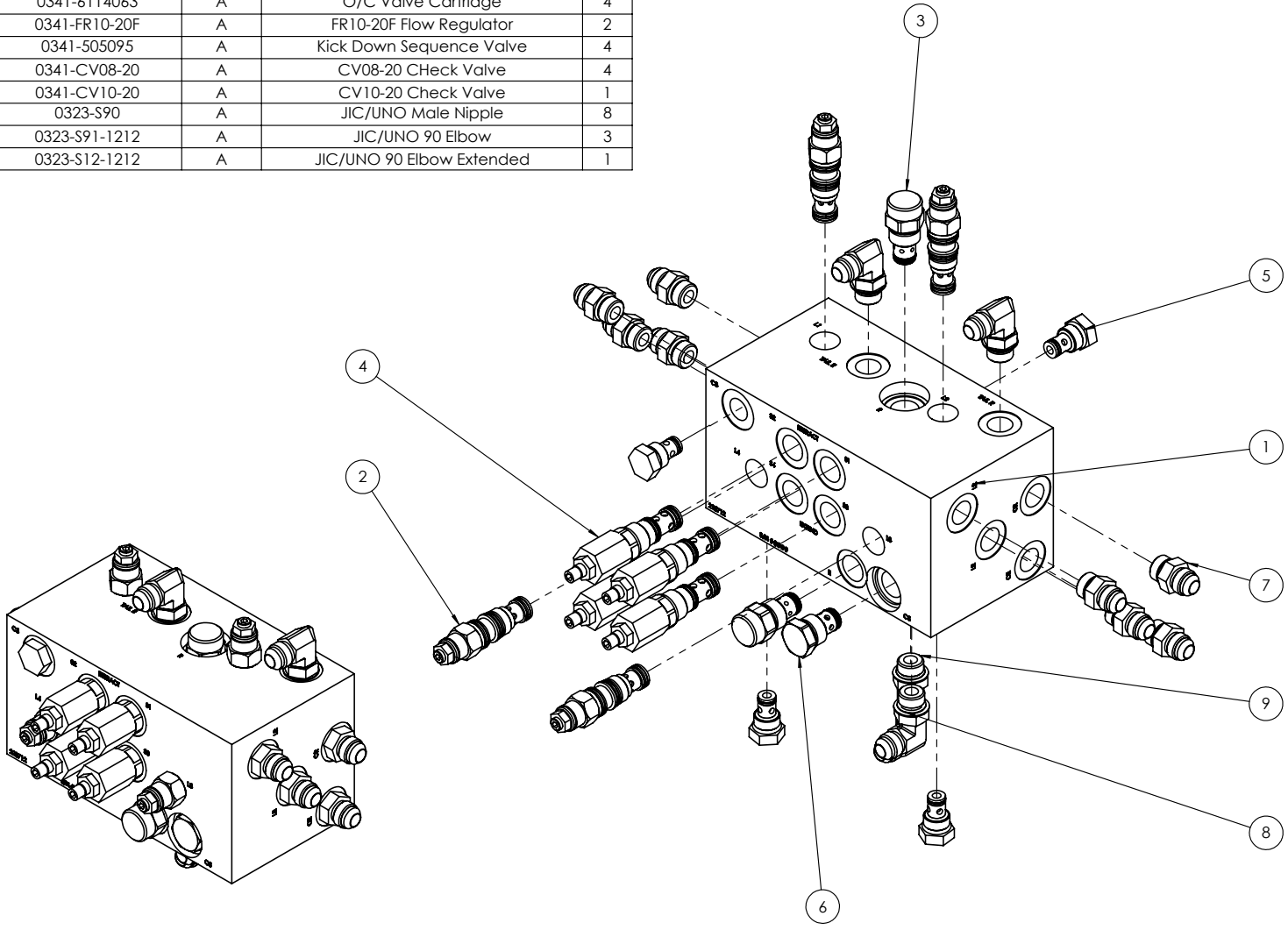
Part Number 0311-2956	Description Hyd Cylinder 5" x 36"	For Machines Built: 65(112043-65)- & 60CT(113060-60CT)-	Revision A
---------------------------------	--------------------------------------	---	---------------

ITEM NO.	PART NUMBER	Revision	DESCRIPTION	QTY.	ITEM NO.	PART NUMBER	Revision	DESCRIPTION	QTY.
1	0111-30311		Bearing 30311 (Cup & Cone)	1	9	0732-90S	A	90 Series Stub Axle (stub only)	1
2	0111-32216		Bearing 32216 (Cup & Cone)	1	10	0741-90SR	A	90 Series Axle Seal Ring	1
3	0121-X3-14010012	A	Triple Lip Seal 140 x 100 x 12mm	1	11	0741-90W	A	90 Series Axle Washer	1
4	0181-GN1-4		Grease Nipple 1/4" UNF	1	12	0741-90WR	A	90 Series Axle Wear Ring	1
5	AS 1420 - M6 x 20-N			4	13	0741-D-CAP90	A	Dust Cap Bolt On Titan 90 Series	1
6	0231-SL6		Serrated Lock Washer M6	4	14	0741-NCASTM45	A	Castle Nut M45 x 1.5	1
7	AS 1236 PSM - 8 x 80			1	15	0741-NWHM20	A	Wheel Nut M20 x 1.5 Radiused	8
8	0732-90H	A	90 Series 8 on 275mm Hub (Hub only)	1	16	0741-WS20	A	M20 Wheel Stud Titan 90 Series	8



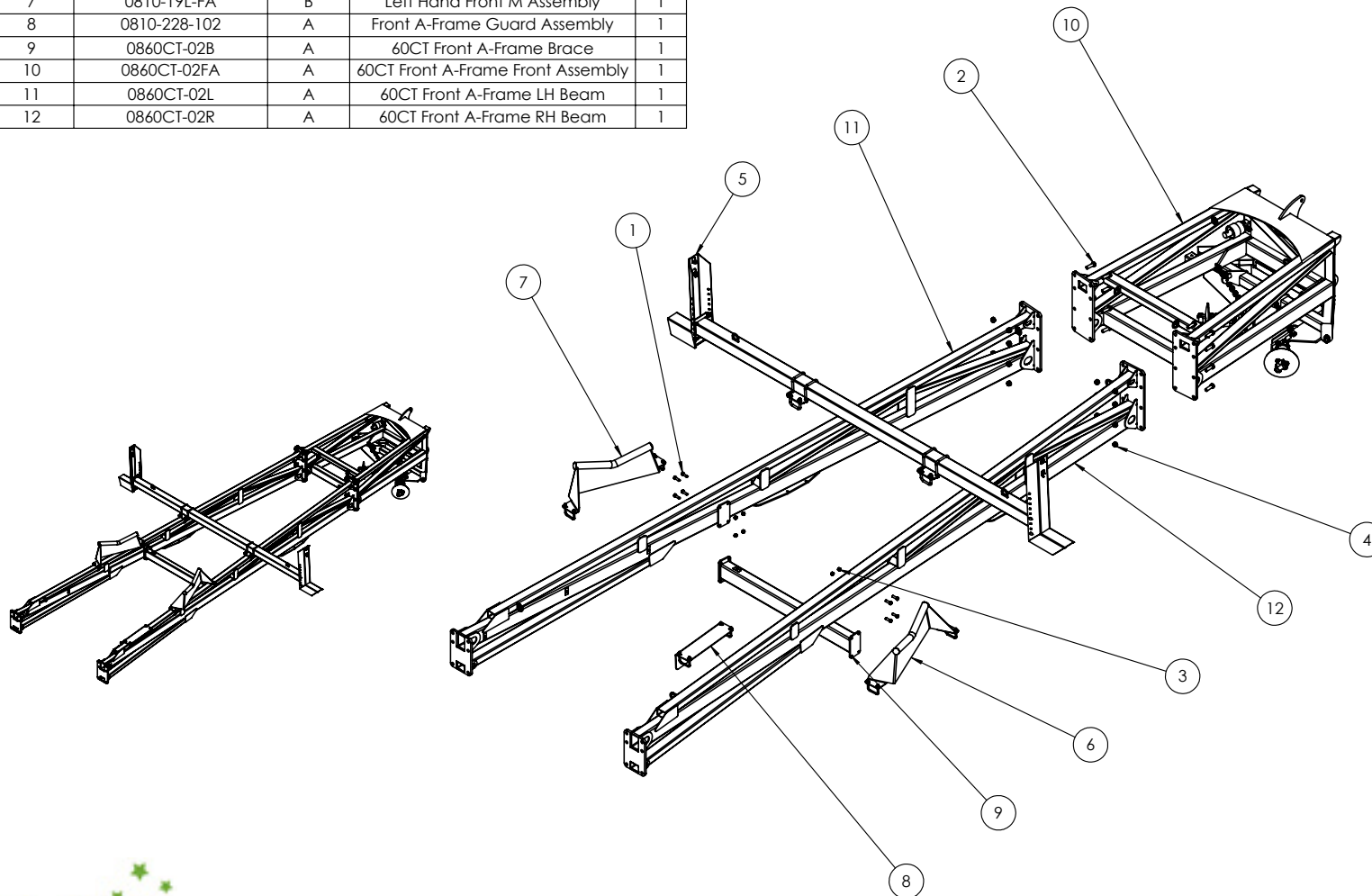
Part Number 0733-90	Description 90 Series Stub Axle (Stub and Hub Complete)	For Machines Built: 65'(112043-65)-	Revision A
-------------------------------	--	--	----------------------

ITEM NO.	PART NUMBER	Revision	DESCRIPTION	QTY.
1	0802-SV688712B	B	3 Stage Kickdown Sequence Valve Body	1
2	0341-6114063	A	O/C Valve Cartridge	4
3	0341-FR10-20F	A	FR10-20F Flow Regulator	2
4	0341-505095	A	Kick Down Sequence Valve	4
5	0341-CV08-20	A	CV08-20 CCheck Valve	4
6	0341-CV10-20	A	CV10-20 Check Valve	1
7	0323-S90	A	JIC/UNO Male Nipple	8
8	0323-S91-1212	A	JIC/UNO 90 Elbow	3
9	0323-S12-1212	A	JIC/UNO 90 Elbow Extended	1



Part Number	Description	For Machines Built:	Revision
0802-SV688712	3 Stage Kickdown Sequence Valve		B

ITEM NO.	PART NUMBER	Revision	DESCRIPTION	QTY.
1	0211-1650	A	M16 x 50 8.8 zp Bolt	8
2	0211-2475	A	M24 x 75 8.8 zp Bolt	16
3	0221-NYL16		M16 Nyloc Nut	8
4	0221-NYL24		M24 Nyloc Nut	16
5	0810-17-60FA	C	60' Front Chain Carrier Assembly	1
6	0810-18R-FA	B	Right Hand Front M Assembly	1
7	0810-19L-FA	B	Left Hand Front M Assembly	1
8	0810-228-102	A	Front A-Frame Guard Assembly	1
9	0860CT-02B	A	60CT Front A-Frame Brace	1
10	0860CT-02FA	A	60CT Front A-Frame Front Assembly	1
11	0860CT-02L	A	60CT Front A-Frame LH Beam	1
12	0860CT-02R	A	60CT Front A-Frame RH Beam	1



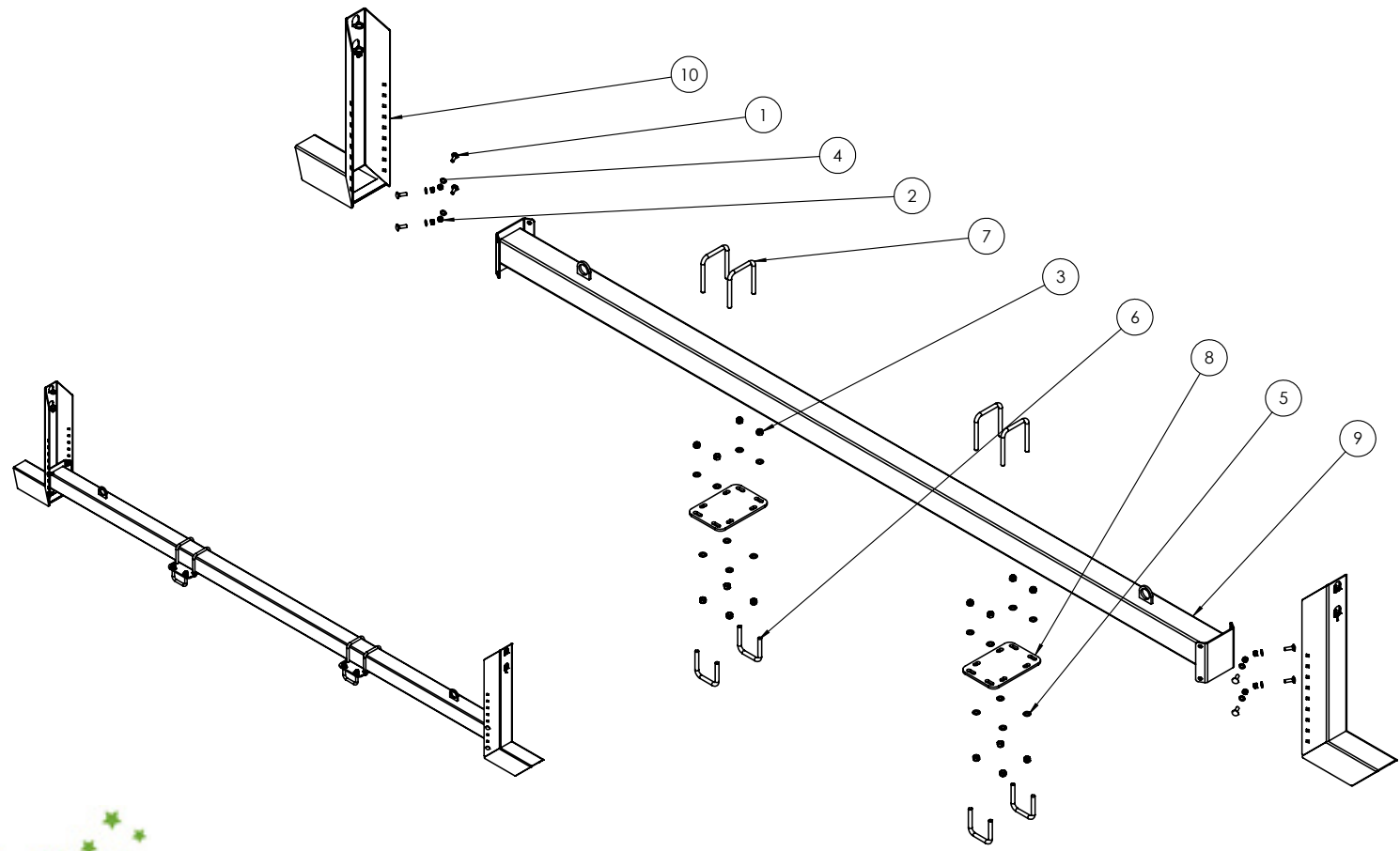
Part Number
0860CT-02A

Description
60CT Front A-Frame Assembly

For Machines Built:
113060-60CT

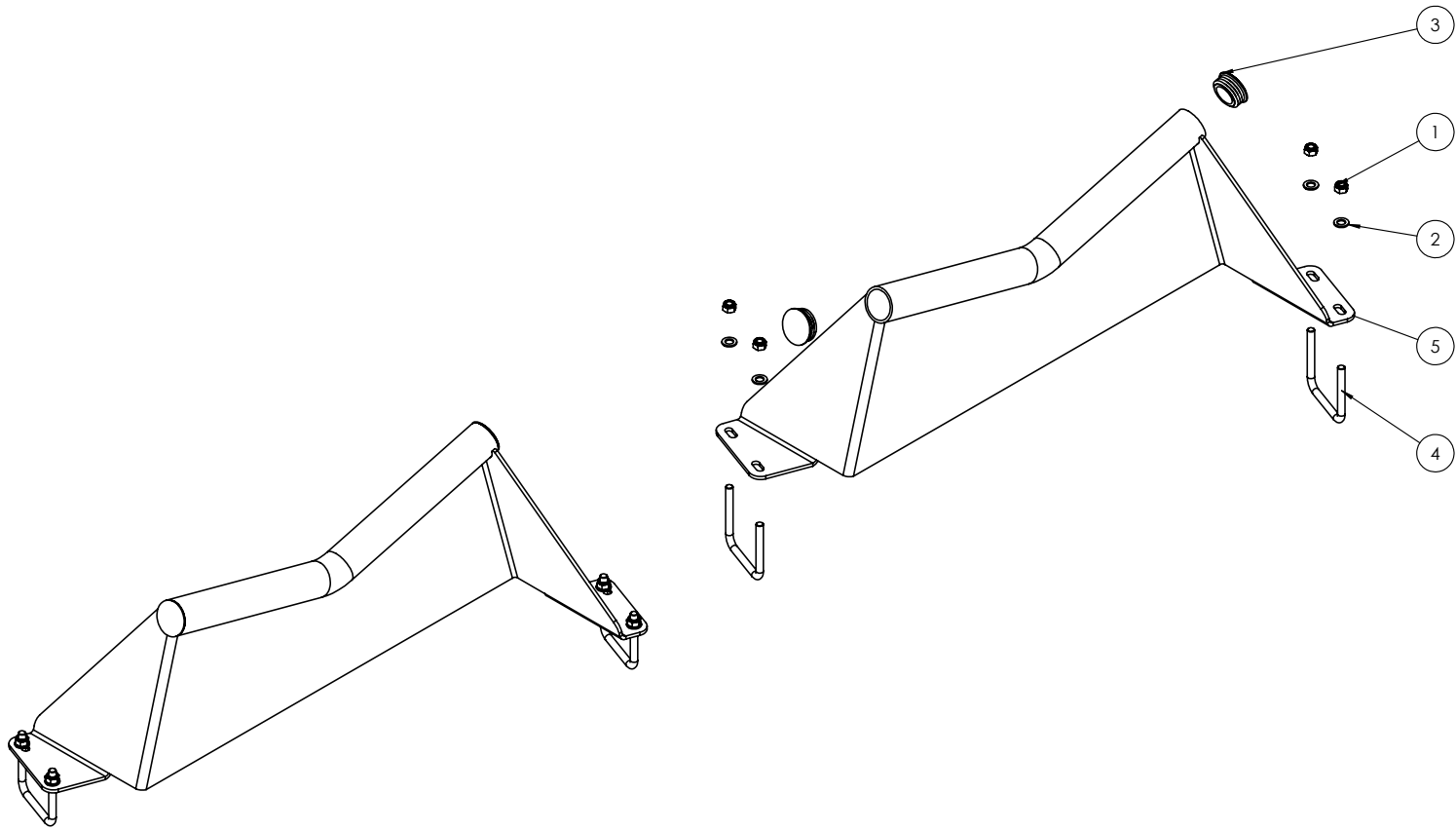
Revision
A

ITEM NO.	PART NUMBER	Revision	DESCRIPTION	Detailed/QTY.
1	0215-CH1240		M12 x 40 Coach Head Bolt	8
2	0221-NYL12		M12 Nyloc Nut	8
3	0221-NYL16		M16 Nyloc Nut	16
4	0231-F12		M12 zp Flat Washer	8
5	0231-F16		M16 zp Flat Washer	16
6	0271-16112104	A	U-Bolt M16 x 112 Deep x 104 Wide	4
7	0271-16160127	A	U-Bolt M16 x 160 Deep x 127 Wide	4
8	0800-139	B	Chain Carrier Mount Plate	2
9	0810-17-60	C	50/60' Chain Carrier Beam	1
10	0810-17L	B	Chain Carrier Bolt on End	2



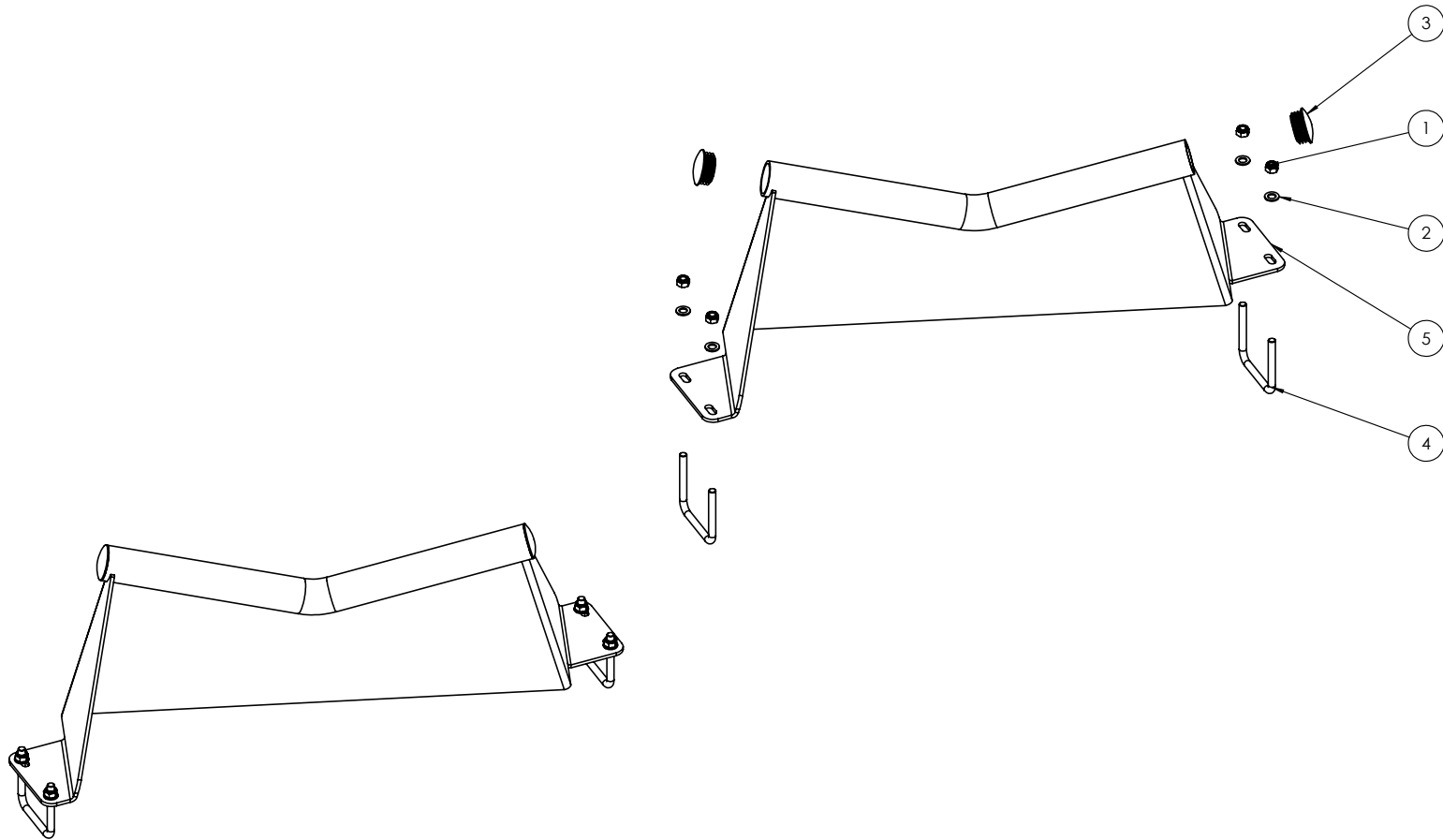
Part Number 0810-17-60FA	Description 60' Front Chain Carrier Assembly	For Machines Built: 60' (112043-60D)-	Revision C
------------------------------------	--	--	----------------------

ITEM NO.	PART NUMBER	Revision	DESCRIPTION	QTY.
1	0221-NYL12		Nyloc Nut M12	4
2	0231-F12		Washer Flat M12	4
3	0264-RTRI-5584	A	Round Tube Insert 60.3 x 3.2-5mm	2
4	0271-12105104		U-Bolt M12 x 105 Deep x 104 Wide	2
5	0810-18R	B	Right Hand Off Set M	1



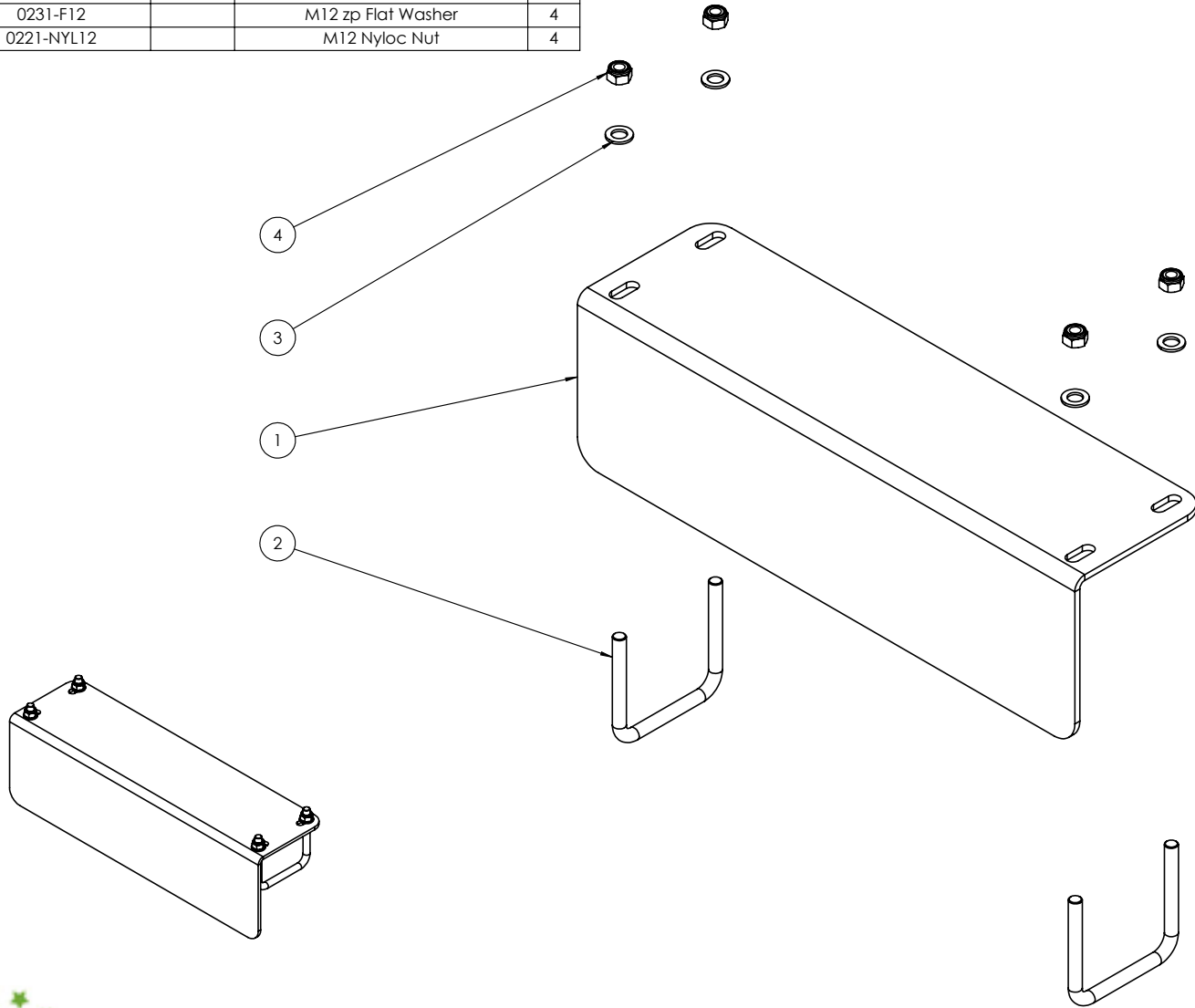
Part Number	Description	For Machines Built:	Revision
0810-18R-FA	Right Hand Front M Assembly		B

ITEM NO.	PART NUMBER	Revision	DESCRIPTION	QTY.
1	0221-NYL12		Nyloc Nut M12	4
2	0231-F12		Washer Flat M12	4
3	0264-RTRI-5584	A	Round Tube Insert 60.3 x 3.2-5mm	2
4	0271-12105104		U-Bolt M12 x 105 Deep x 104 Wide	2
5	0810-19L	B	Left Hand Off Set M	1



Part Number	Description	For Machines Built:	Revision
0810-19L-FA	Left Hand Front M Assembly		B

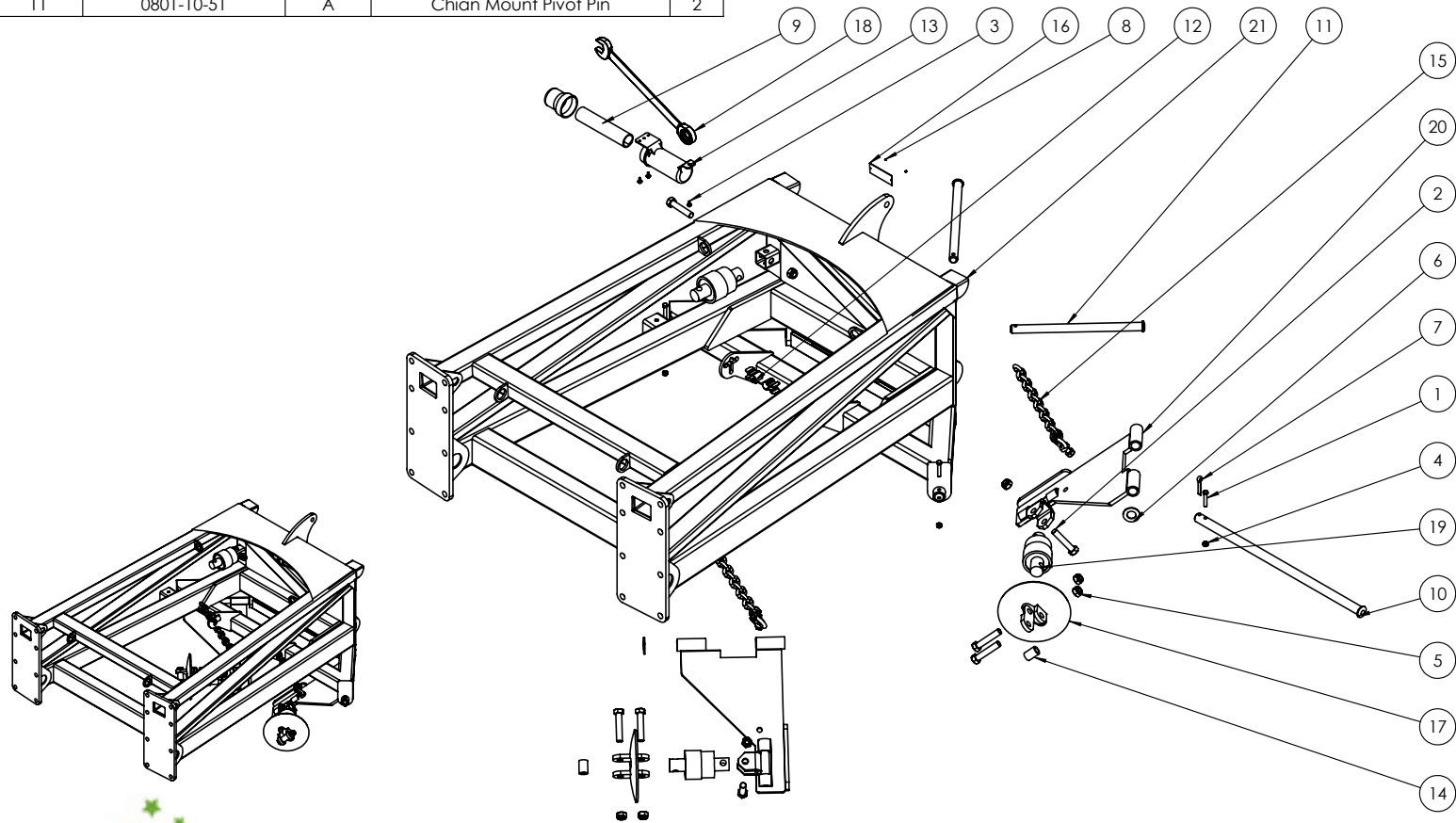
ITEM NO.	PART NUMBER	Revision	DESCRIPTION	QTY.
1	0800-228.1	B	60" Rear A-Frame Guard	1
2	0271-12105104	A	U-Bolt M12 x 105 Deep x 104 Wide	2
3	0231-F12		M12 zp Flat Washer	4
4	0221-NYL12		M12 Nyloc Nut	4



Part Number 0810-228-102	Description Front A-Frame Guard Assembly	For Machines Built: 60CT (2012-)	Revision A
------------------------------------	---	-------------------------------------	---------------

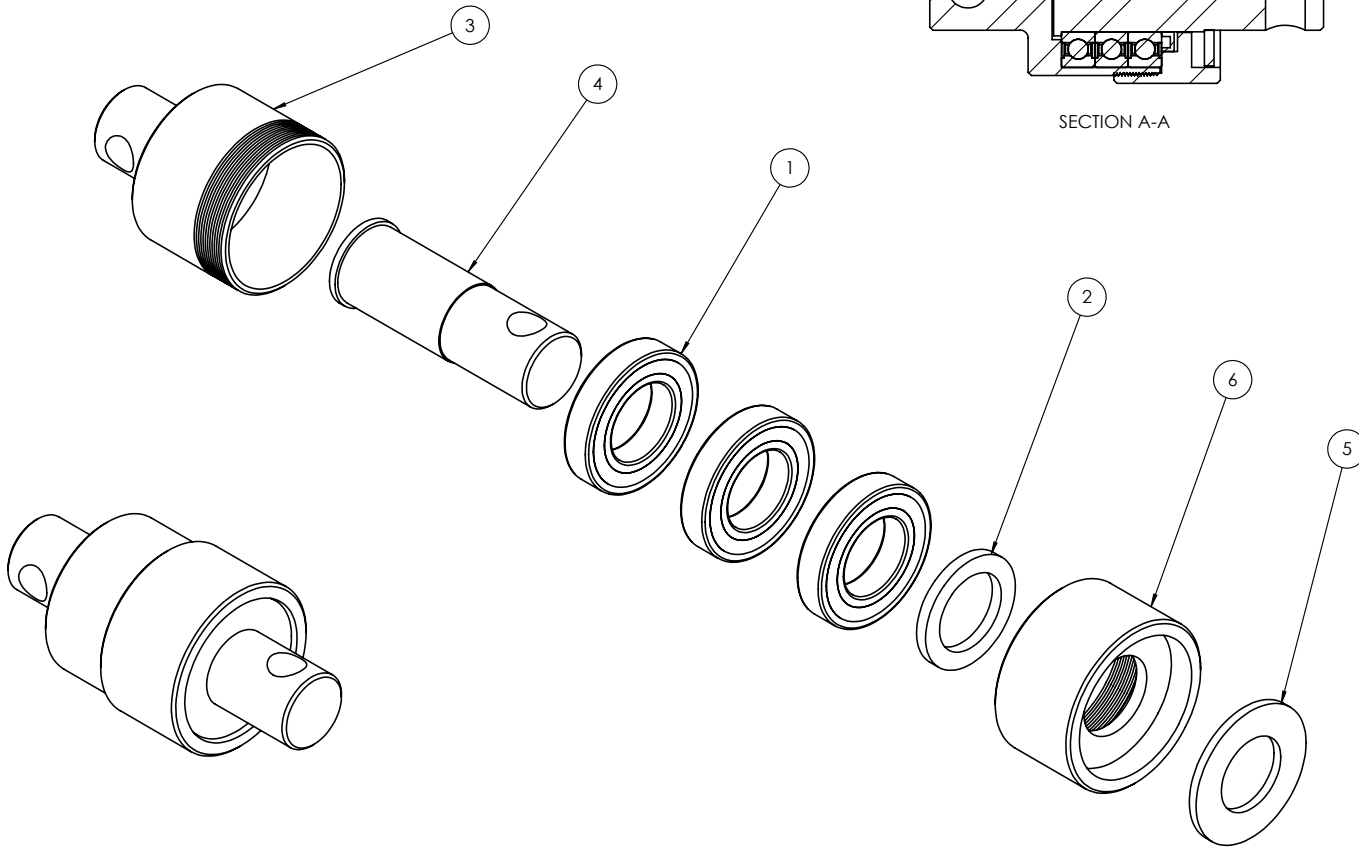
ITEM NO.	PART NUMBER	Revision	DESCRIPTION	QTY.
1	0211-1265	A	M12 x 65 8.8 zp Bolt	3
2	0211-24120ST	A	M24 x 120 Short Thread 8.8 zp Bolt	7
3	0211-M620MZPHTF		M6 x 20 Trilobe self tapping ScREW	3
4	0221-NYL12		M12 Nyloc Nut	3
5	0221-NYL24		M24 Nyloc Nut	7
6	0232-HT13-8		Washer High Tensile 1 3/8"	2
7	0261-PINC1363		Cotter Pin M13 x 63	1
8	0271-4X316UDS		4g x 3/16 U Hammer Drive Screw	2
9	0492-OPMAN		Diamond Harrow Operating Instruction Manual	1
10	0801-10-13-970	B	Drawbar Pivot Pin	1
11	0801-10-51	A	Chain Mount Pivot Pin	2

ITEM NO.	PART NUMBER	Revision	DESCRIPTION	QTY.
12	0801-KE014	B	Height Adjustor Retaining Clip	2
13	0801-OMC-1	A	Operator Manual Cannister	1
14	0801-PCDCS55	A	Tie Plate Bush	2
15	0801-PCH24MCA	A	Height Adjusting Chain Assembly	2
16	0801-SDP		Data Plate	1
17	0802-DCTP-24	A	Disc Chain Tie Plate Link 24mm	2
18	0802-GW1 3-4	A	Gear Wrench 1 3/4"	1
19	0802-PCHB553	A	24mm Bolt Swivel Unit	3
20	0810-20-60	A	Chain Mt Arm 24mm Clevis	2
21	0860CT-02F	A	60CT Front A-Frame Front Section	1



Part Number	Description	For Machines Built:	Revision
0860CT-02FA	60CT Front A-Frame Front Assembly	113060-60CT-	A

ITEM NO.	PART NUMBER	Revision	DESCRIPTION	QTY.
1	0112-6211		Bearing 6211 2RS	3
2	0121-TC5588		TC Seal 55mm x 80mm x 8mm	1
3	0801-PCHB553H	A	Housing to Suit PCHB553 Swivel	1
4	0801-PCHB553S	A	Shaft To Suit PCHB553 Swivel	1
5	0801-PCHB553WA	A	Washer To Suit PCHB553 Swivel	1
6	0801-PCHD553C	A	Cap To Suit PCHB553 Swivel	1



Part Number
0802-PCHB553

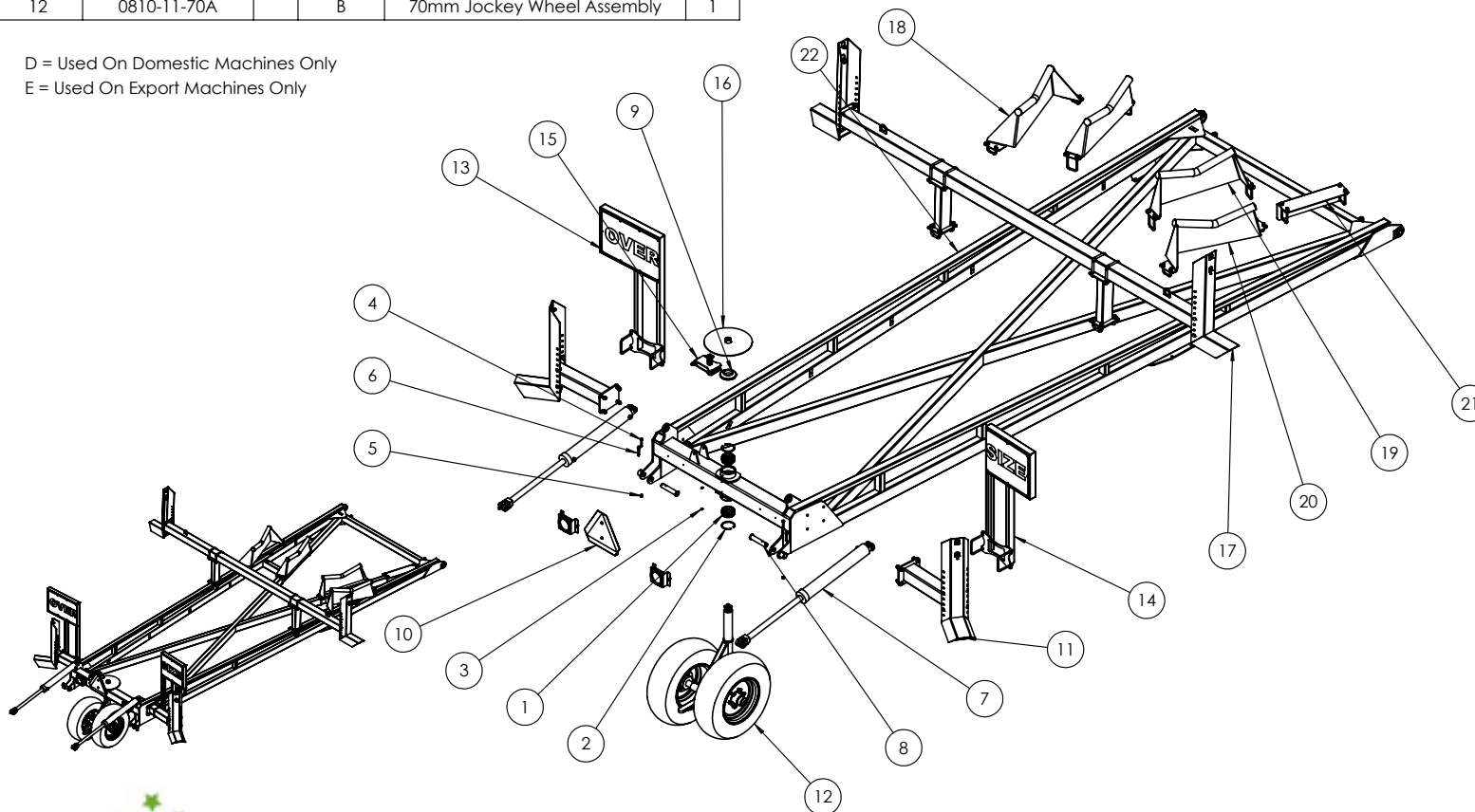
Description
24mm Bolt Swivel Unit

For Machines Built:
65'(112043-65)-

Revision
A

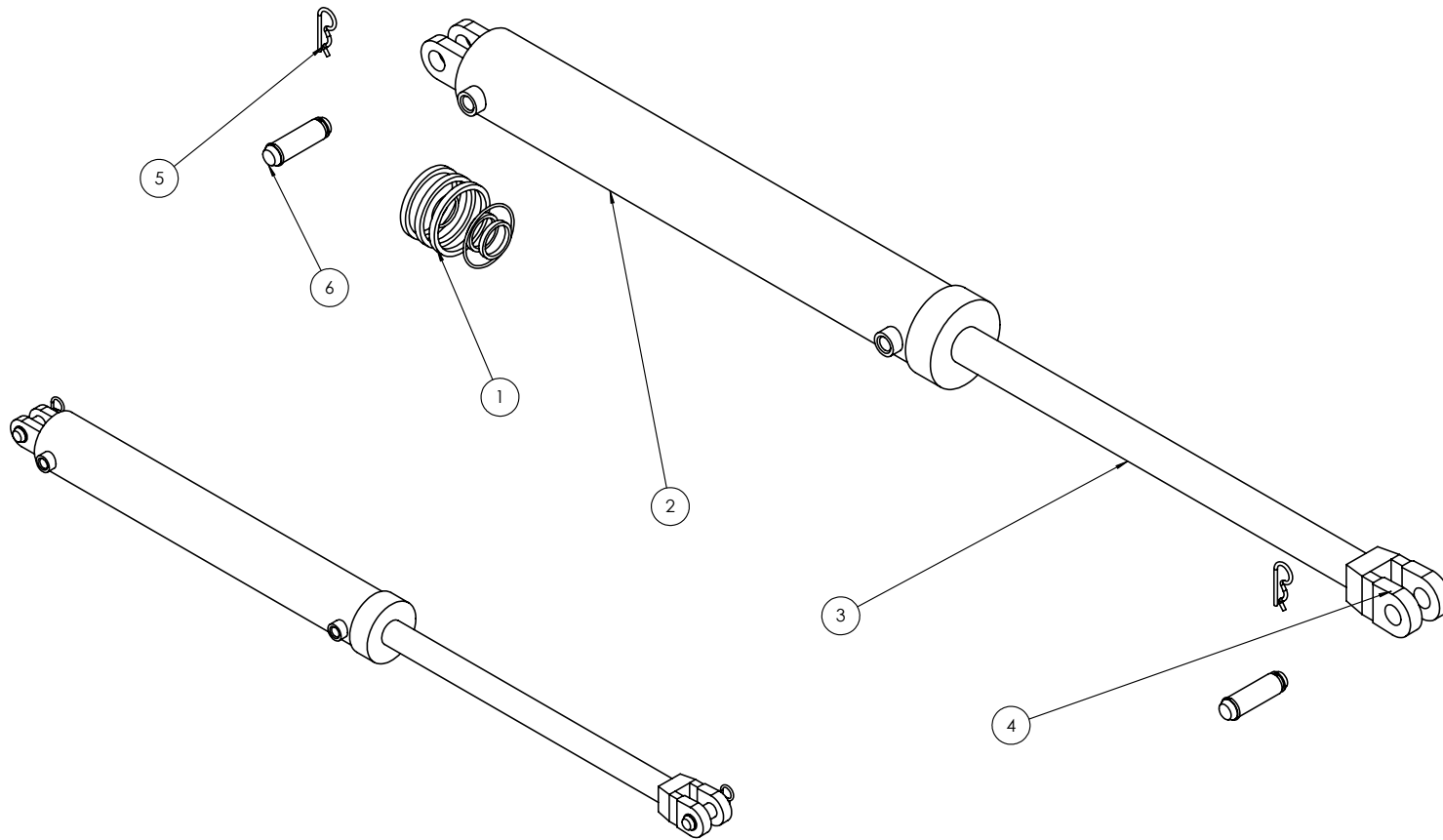
ITEM NO.	PART NUMBER	Revision	DESCRIPTION	QTY.	ITEM NO.	PART NUMBER	Revision	DESCRIPTION	QTY.
1	0113-GE70DO-2RS	A	Plain Spherical Bearing 70mm	2	13	0810-110A	D	LH Oversize Sign Assembly	1
2	0171-J105	A	Circlip Internal 105mm	2	14	0810-111A	D	RH Oversize Sign Assembly	1
3	0181-GN1-4		Grease Nipple 1/4" UNF	2	15	0810-12CALA	A	Jockey Wheel Brake Caliper Assembly	1
4	0211-1265	A	M12 x 65 8.8 zp Bolt	2	16	0810-12DISC	A	Jockey Wheel Brake Disc	1
5	0221-NYL12		M12 Nyloc Nut	2	17	0810-17-60RA	C	60' Rear Chain Carrier Assembly	1
6	0261-PINC1363		Cotter Pin M13 x 63	2	18	0810-18R-RA	B	Left Hand Rear M Assembly	1
7	0311-2958	B	Hyd Cylinder 3.5" x 24"	2	19	0810-19A	B	Centre Rear M Assembly	2
8	0801-10-08-175	A	Tail Frame Pivot pin	2	20	0810-19L-RA	B	Right Hand Rear M Assembly	1
9	0801-KE0705-13	A	70mm Polymer dust cap	1	21	0810-228-75	A	Rear A-Frame Guard Assembly	1
10	0810-03EB	E	Rear A-Frame Export Sign/Light Brackets	1	22	0860CT-03	A	60CT Rear A-Frame	1
11	0810-109A	A	Outrigger Assembly	2					
12	0810-11-70A	B	70mm Jockey Wheel Assembly	1					

D = Used On Domestic Machines Only
 E = Used On Export Machines Only



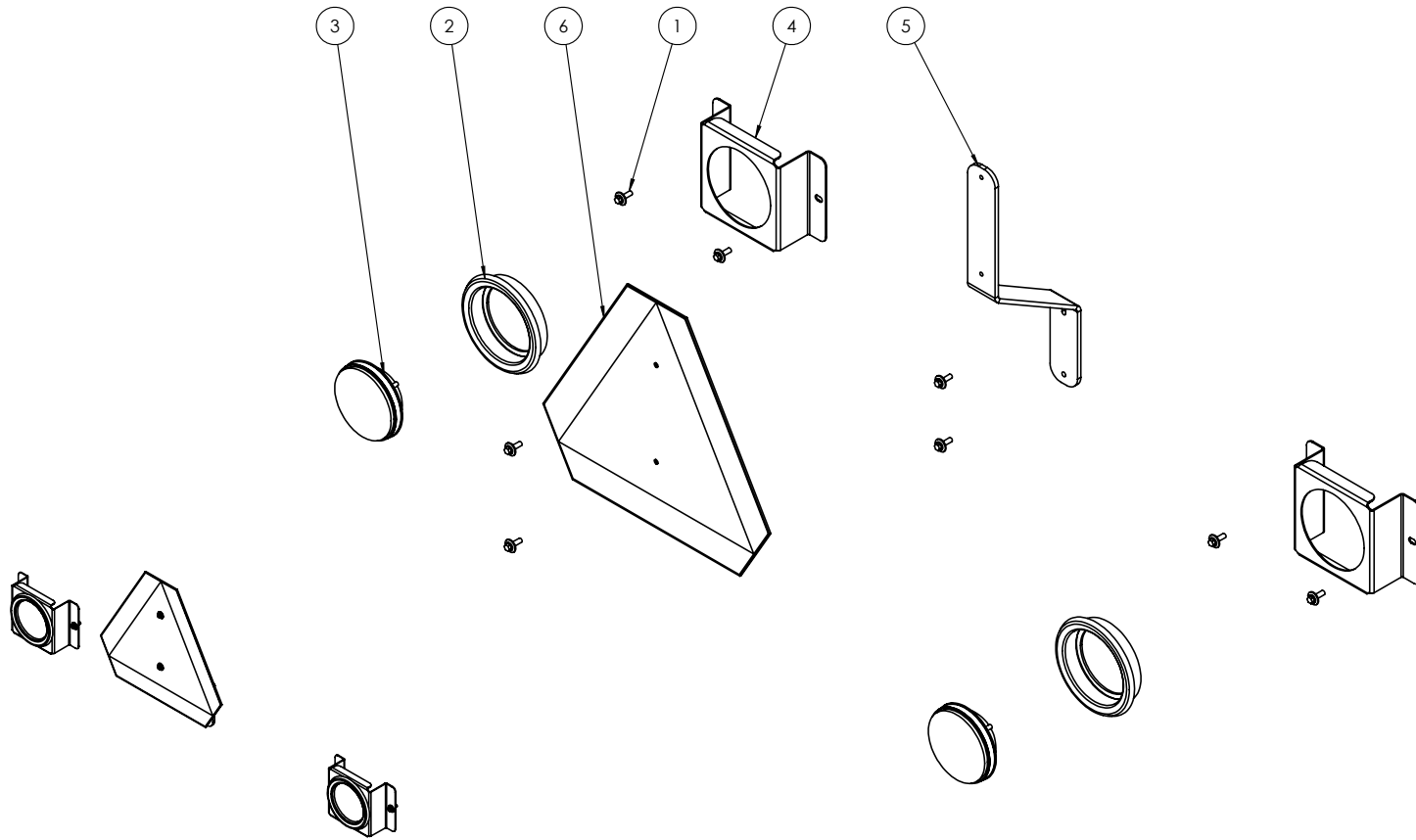
Part Number 0860CT-03A	Description 60CT Rear A-Frame Assembly	For Machines Built: 113060-60CT -	Revision A
----------------------------------	--	--------------------------------------	----------------------

ITEM NO.	PART NUMBER	Revision	DESCRIPTION	QTY.
1	0312-EF0202		Seal Kit 3.5"	1
2	0313-2958B	A	3.5" x 24" Hydraulic Cylinder Barrel	1
3	0313-2958R	A	3.5" x 24" Hydraulic Cylinder Rod	1
4	0313-6002C		Clevis For 2957, 5041, 6002, 2958 Cylinders	1
5	0511-RCLIP4		R Clip 4mm	2
6	0801-44082938	A	Clevis Pin 1" x 75mm	2



Part Number 0311-2958	Description Hyd Cylinder 3.5" x 24"	For Machines Built: 65 (112043-65)-	Revision B
---------------------------------	--	--	----------------------

ITEM NO.	PART NUMBER	Revision	DESCRIPTION	QTY.
1	0211-M620MZPHTF		M6 x 20 Trilobe self tapping ScREW	8
2	0412-53101RG	A	110RM Rubber Grommet	2
3	0412-LED110RM	A	LED Stop Tail Lamp	2
4	0800-194.1	A	US Tail Light Bracket	2
5	0800-195.1	B	SMV Sign Bracket	1
6	0801-FBSMVTUF	A	Slow Moving Vehical Sign	1



Used On Export Machines Only



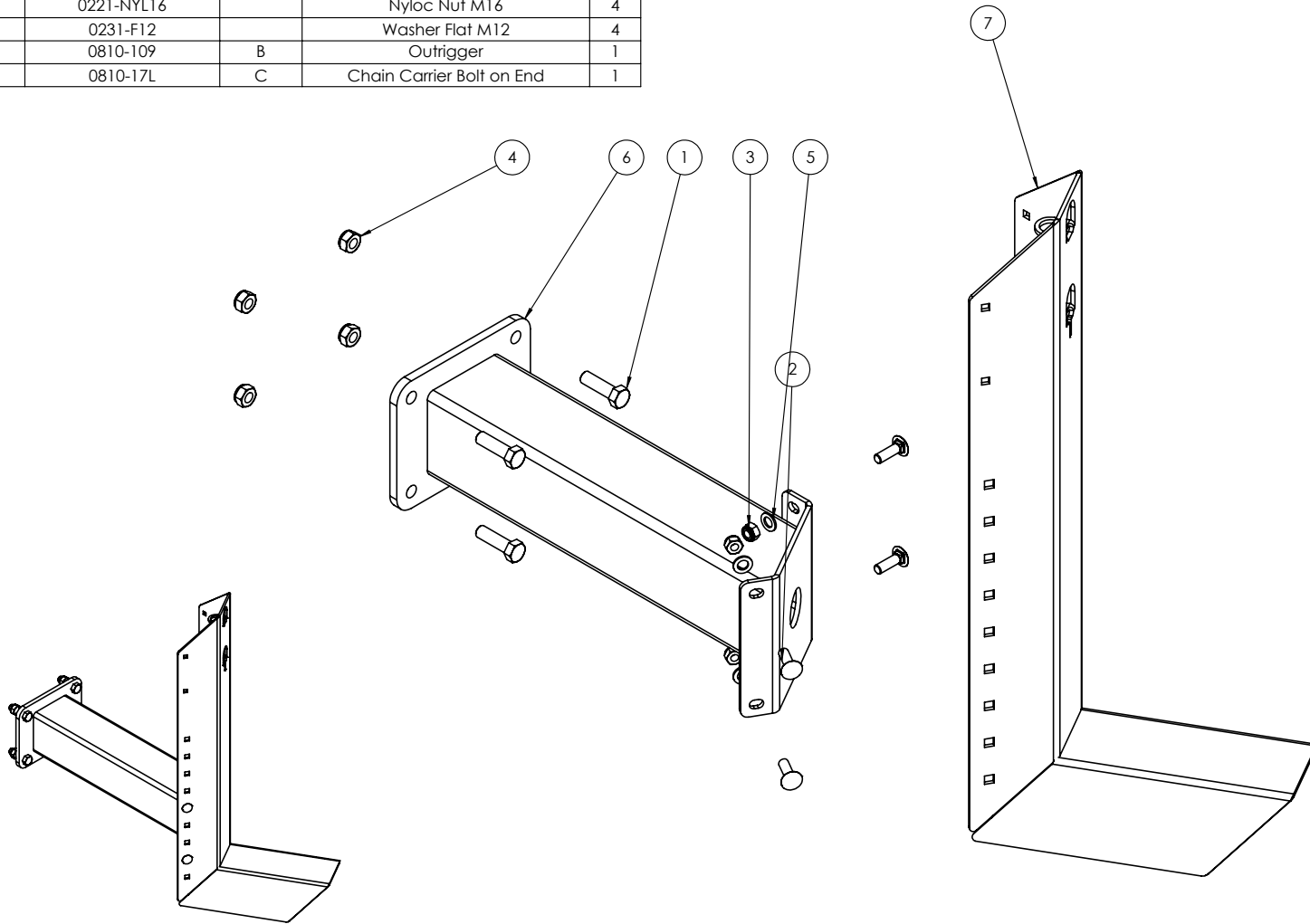
Part Number
0810-03EB

Description
Rear A-Frame Export Sign/Light Brackets

For Machines Built:
All Export (2010)-

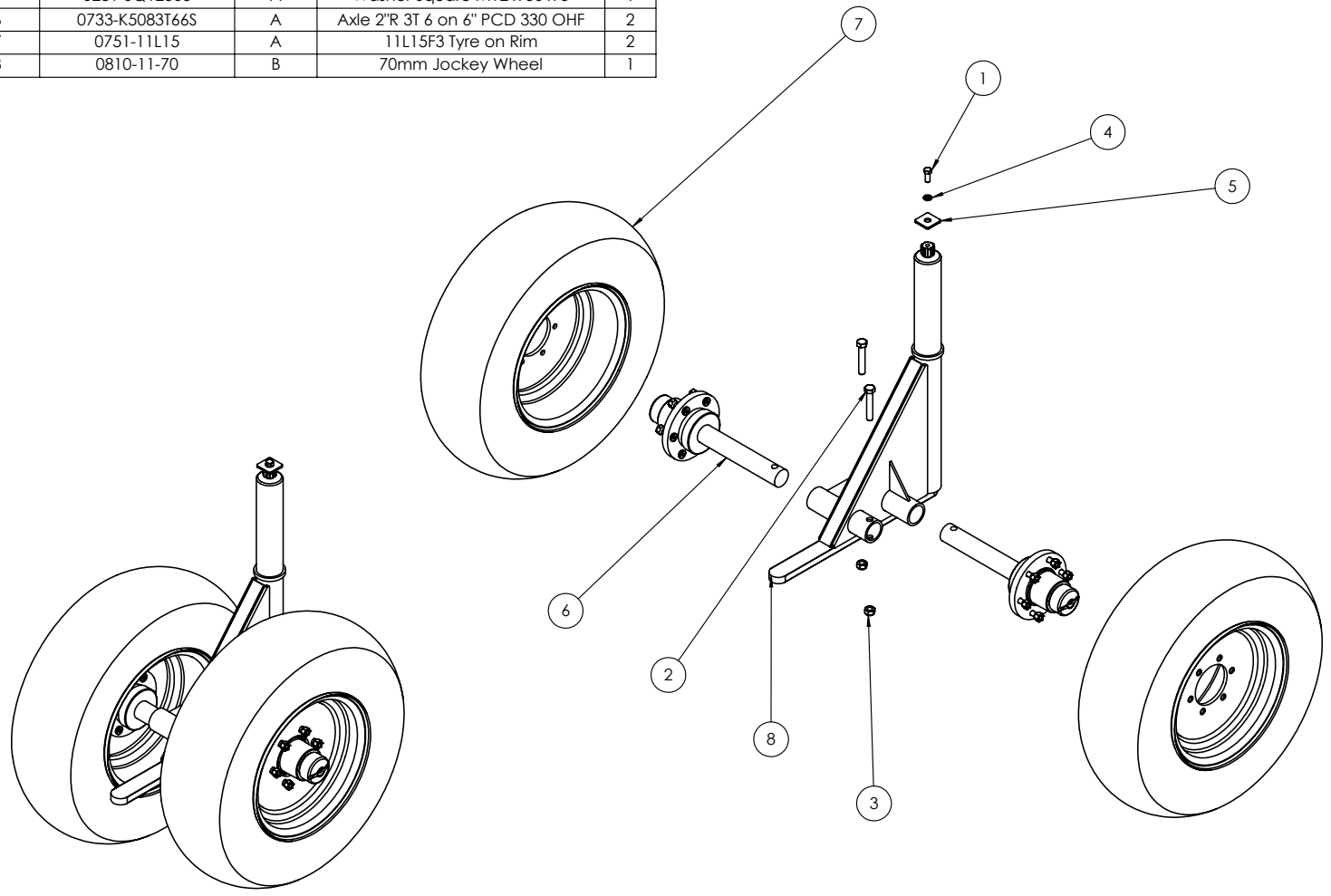
Revision
A

ITEM NO.	PART NUMBER	Revision	DESCRIPTION	QTY.
1	0211-1655	A	M16 x 55 grade 8.8 zp Bolt	4
2	0215-CH1240		M12 x 40 Coach Head Bolt	4
3	0221-NYL12		Nyloc Nut M12	4
4	0221-NYL16		Nyloc Nut M16	4
5	0231-F12		Washer Flat M12	4
6	0810-109	B	Outrigger	1
7	0810-17L	C	Chain Carrier Bolt on End	1



Part Number 0810-109A	Description Outrigger Assembly	For Machines Built: All(2011)-	Revision A
---------------------------------	-----------------------------------	-----------------------------------	---------------

ITEM NO.	PART NUMBER	Revision	DESCRIPTION	QTY.
1	0211-1230	A	M12 x 30 grade 8.8 ZP Bolt	1
2	0211-1690	A	M16 x 90 grade 8.8 zp Bolt	2
3	0221-NYL16		Nyloc Nut M16	2
4	0231-S12		Washer Spring M12	1
5	0231-SQ12505	A	Washer Square M12 x 50 x 5	1
6	0733-K5083T66S	A	Axle 2'R 3T 6 on 6" PCD 330 OHF	2
7	0751-11L15	A	11L15F3 Tyre on Rim	2
8	0810-11-70	B	70mm Jockey Wheel	1



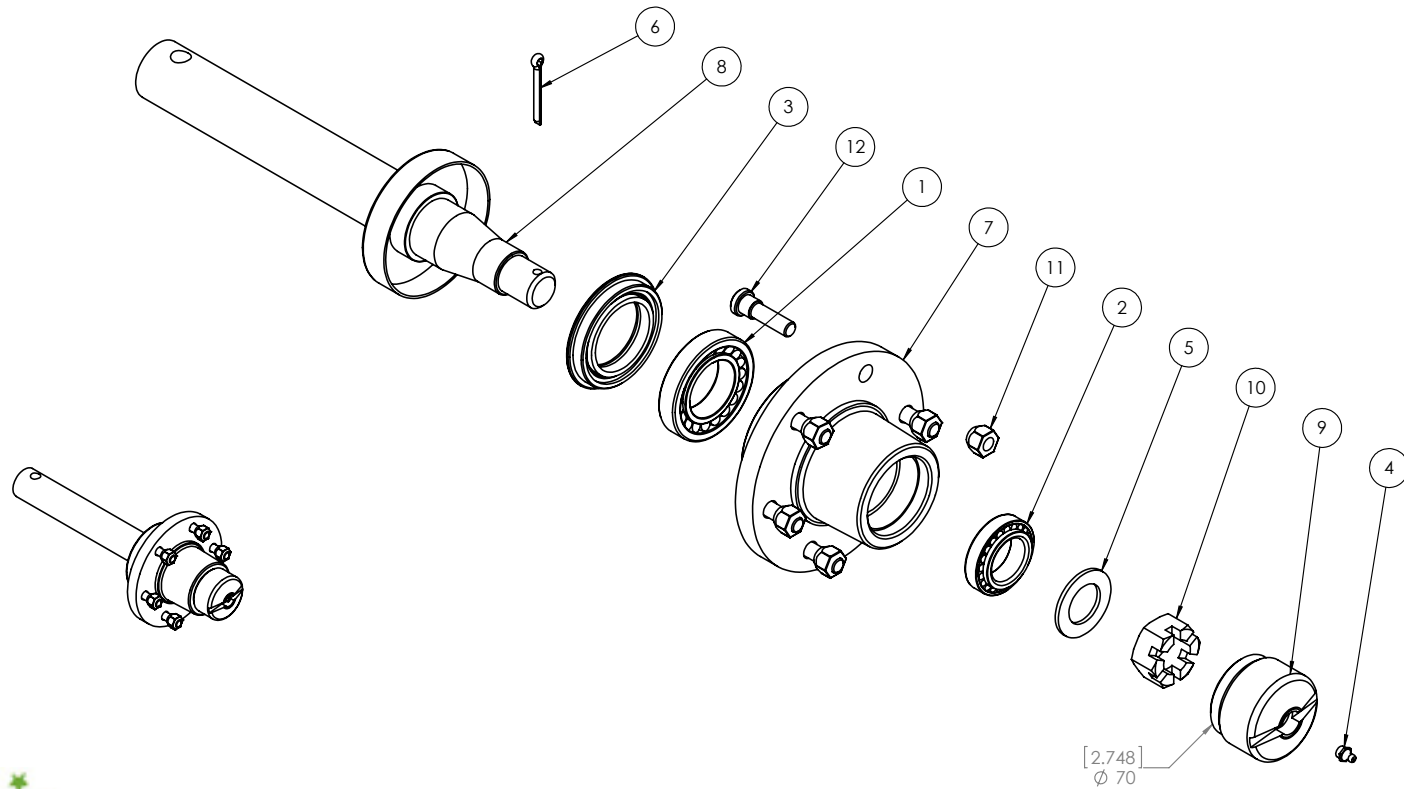
Part Number
0810-11-70A

Description
70mm Jockey Wheel Assembly

For Machines Built:
26/11/2009

Revision
B

ITEM NO.	PART NUMBER	Revision	DESCRIPTION	QTY.
1	0111-30210		Bearing Tapered Roller 50x90x21.75	1
2	0111-LM29749-10		Bearing Tapered Roller 38.1x65.088x18.034	1
3	0121-AP64607	A	AP7 Seal 90 x 60.3 x 10mm	1
4	0181-GN1-8	A	Grease Nipple 1/8" BSP	1
5	0232-F11-4		Washer Flat 1 1/4"	1
6	0261-PINC650		Cotter Pin M6 x 50mm	1
7	0731-H83660	A	3T 6 on 6" Hub Only	1
8	0732-K5083TS	A	2" Round 330 OHF Stub Only	1
9	0741-D-CAPLC4T	A	Dust Cap Ali 70 Round	1
10	0741-NCAST114	A	Castle Nut 1 1/4" x 12	1
11	0741-NWH1-2	A	Wheel Nut 1/2"	6
12	0741-WS1-2	A	Wheel Stud 1/2" x 2"	6



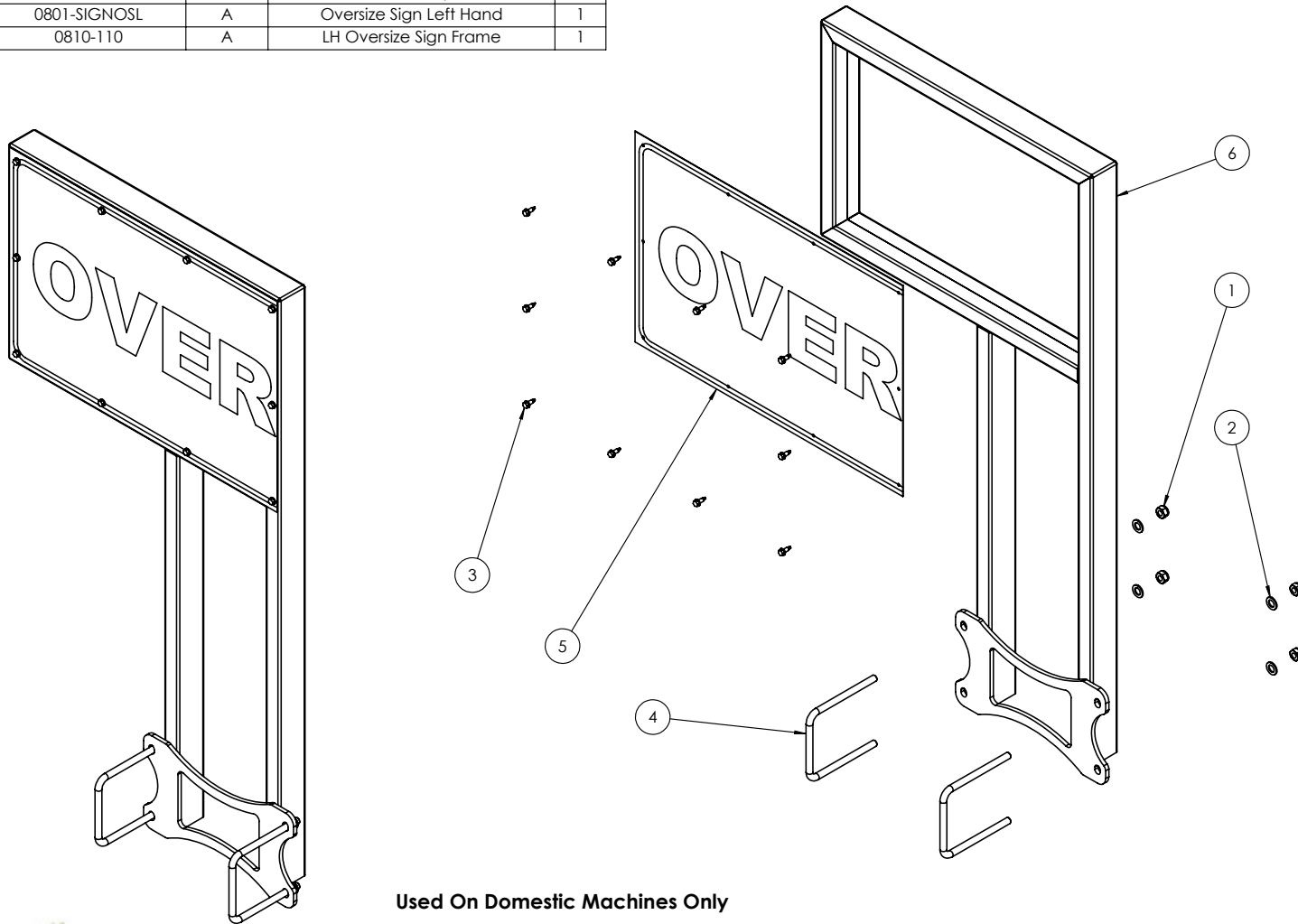
Part Number
0733-K5083T66S

Description
Axle 2"R 3T 6 on 6" PCD 330 OHF

For Machines Built:
26/11/09-

Revision
A

ITEM NO.	PART NUMBER	Revision	DESCRIPTION	QTY.
1	0221-NYL12		Nyloc Nut M12	4
2	0231-F12		Washer Flat M12	4
3	0241-TEK10-1616		TEK Screw 10g 16 x 16	10
4	0271-12155127		U-Bolt M12 x 155 Deep x 127 Wide	2
5	0801-SIGNOSL	A	Oversize Sign Left Hand	1
6	0810-110	A	LH Oversize Sign Frame	1

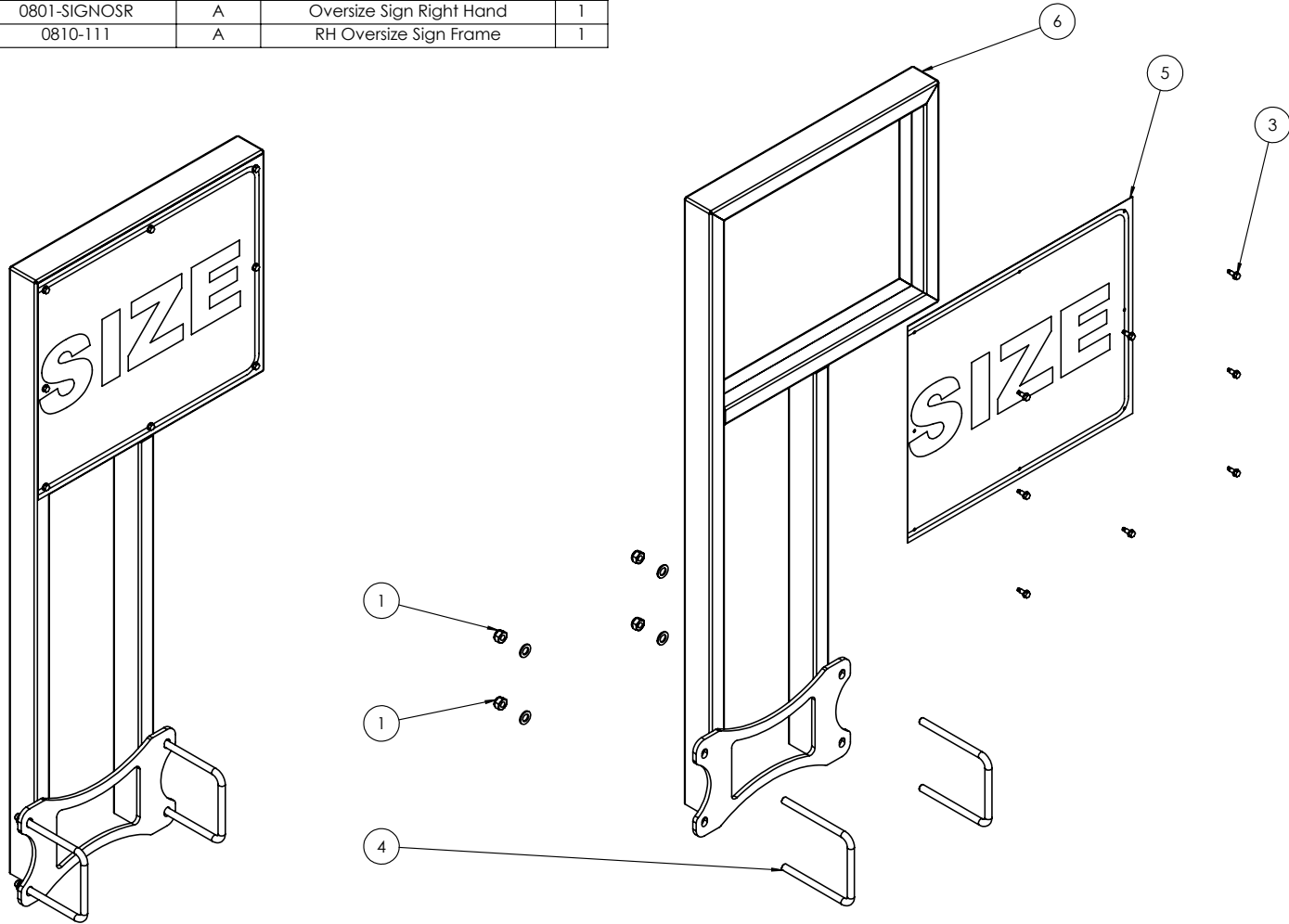


Used On Domestic Machines Only



Part Number 0810-110A	Description LH Oversize Sign Assembly	For Machines Built: 18/9/2012 -	Revision A
---------------------------------	--	------------------------------------	---------------

ITEM NO.	PART NUMBER	Revision	DESCRIPTION	QTY.
1	0221-NYL12		Nyloc Nut M12	4
2	0231-F12		Washer Flat M12	4
3	0241-TEK10-1616		TEK Screw 10g 16 x 16	8
4	0271-12155127		U-Bolt M12 x 155 Deep x 127 Wide	2
5	0801-SIGNOSR	A	Oversize Sign Right Hand	1
6	0810-111	A	RH Oversize Sign Frame	1

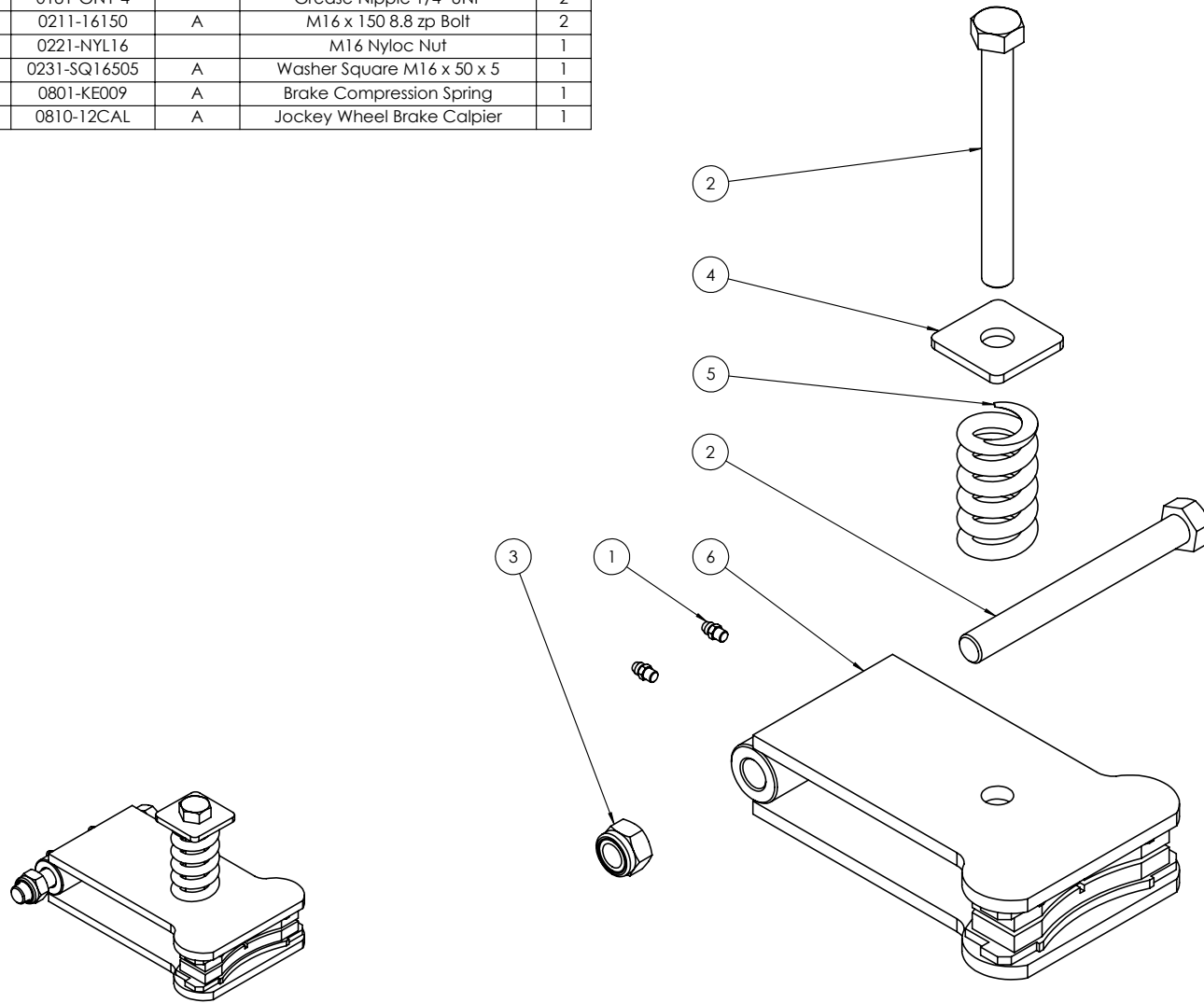


Used On Domestic Machines Only



Part Number 0810-111A	Description RH Oversize Sign Assembly	For Machines Built: 18/9/2012 -	Revision A
---------------------------------	--	------------------------------------	---------------

ITEM NO.	PART NUMBER	Revision	DESCRIPTION	QTY.
1	0181-GN1-4		Grease Nipple 1/4" UNF	2
2	0211-16150	A	M16 x 150 8.8 zp Bolt	2
3	0221-NYL16		M16 Nyloc Nut	1
4	0231-SQ16505	A	Washer Square M16 x 50 x 5	1
5	0801-KE009	A	Brake Compression Spring	1
6	0810-12CAL	A	Jockey Wheel Brake Caliper	1



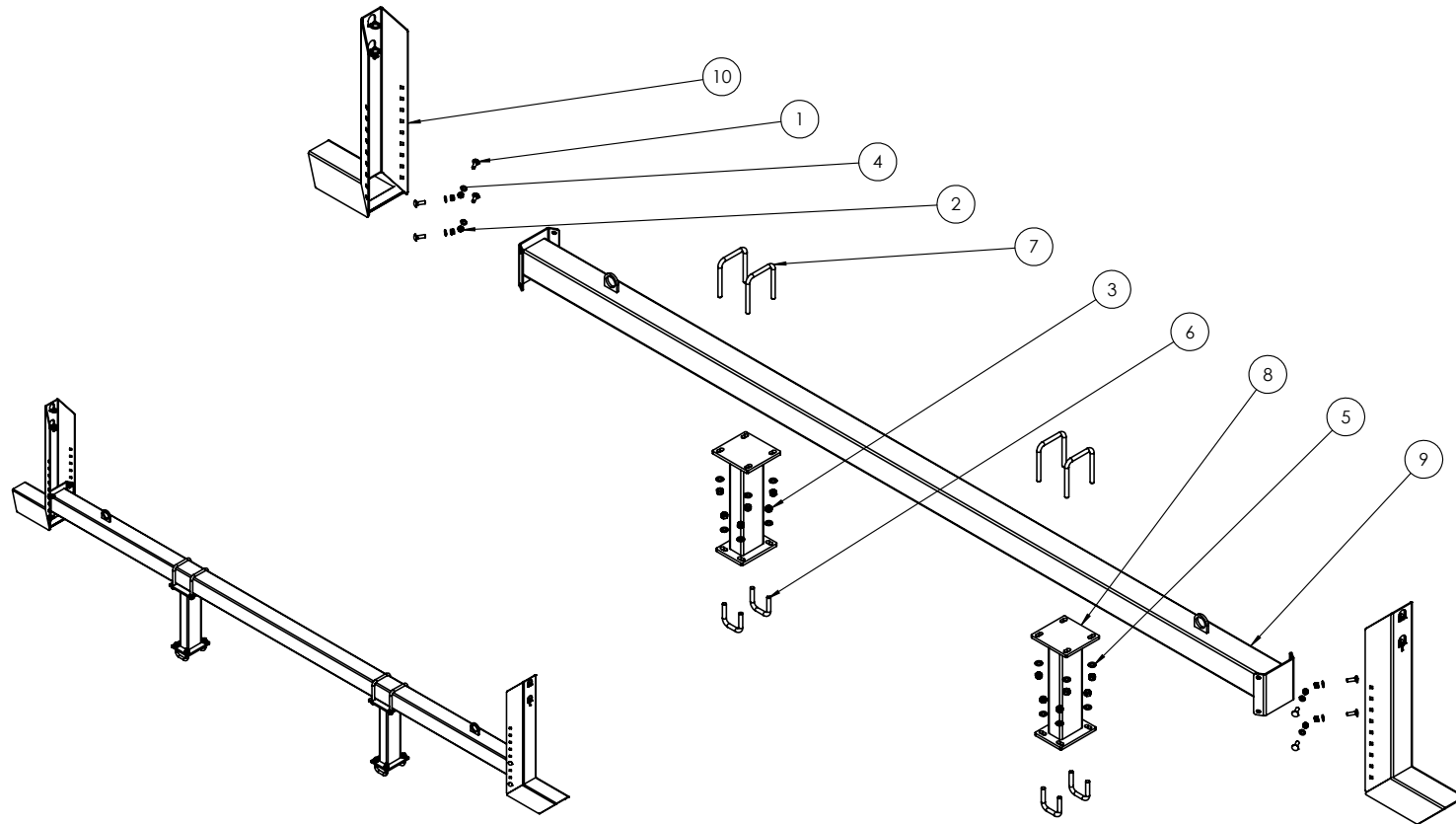
Part Number
0810-12CALA

Description
Jockey Wheel Brake Caliper Assembly

For Machines Built:
All(2005)-

Revision
A

ITEM NO.	PART NUMBER	Revision	DESCRIPTION	QTY.
1	0215-CH1240		M12 x 40 Coach Head Bolt	8
2	0221-NYL12		M12 Nyloc Nut	8
3	0221-NYL16		M16 Nyloc Nut	16
4	0231-F12		M12 zp Flat Washer	8
5	0231-F16		M16 zp Flat Washer	16
6	0271-168577	A	U-Bolt M16 x 85 Deep X 77 Wide	4
7	0271-16160127	A	U-Bolt M16 x 160 Deep x 127 Wide	4
8	0810-23-60	C	60CT Chain Carrier Pedestal	2
9	0810-17-60	C	50/60' Chain Carrier Beam	1
10	0810-17L	B	Chain Carrier Bolt on End	2



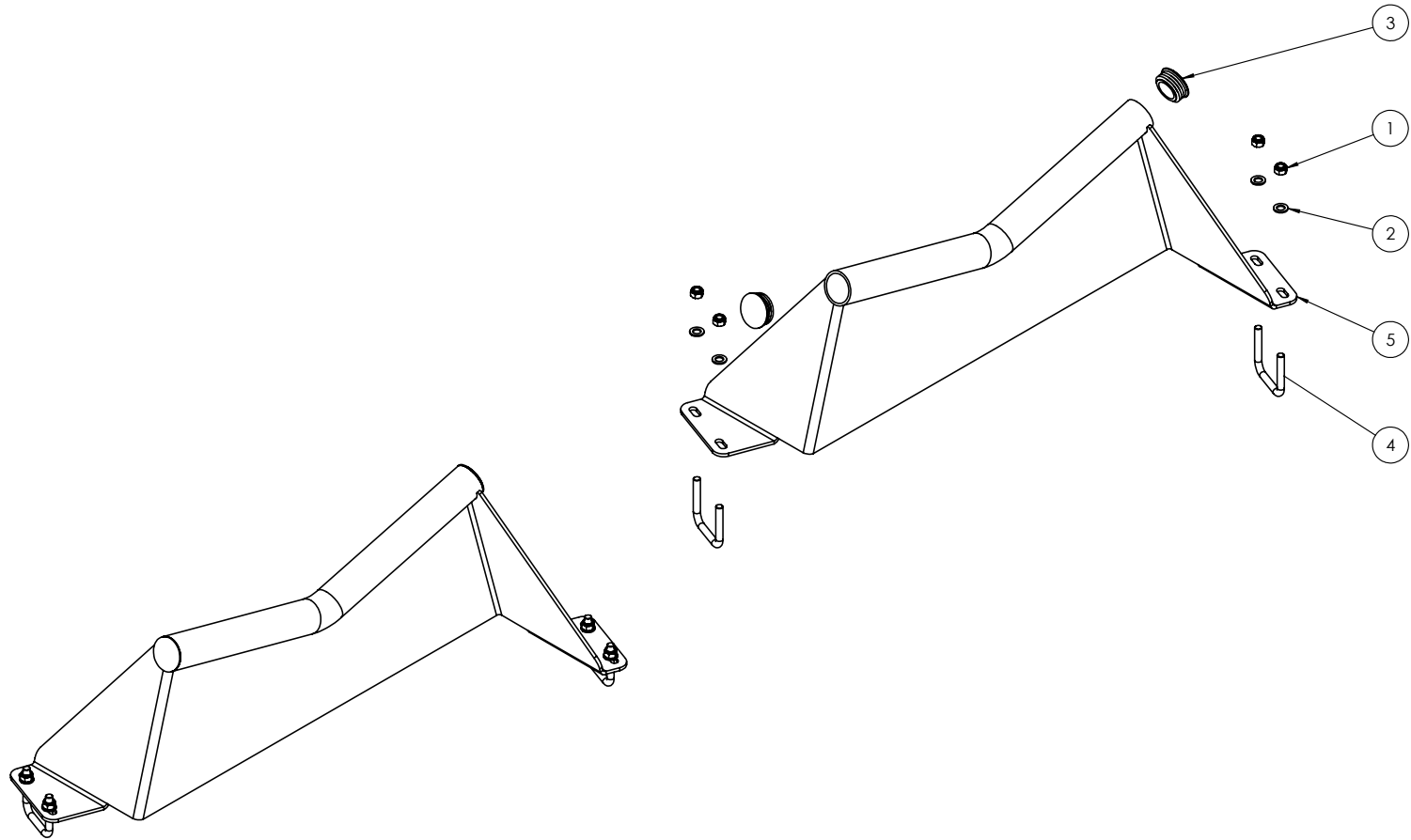
Part Number
0810-17-60RA

Description
60' Rear Chain Carrier Assembly

For Machines Built:
60' (112043-60D)-

Revision
C

ITEM NO.	PART NUMBER	Revision	DESCRIPTION	QTY.
1	0221-NYL12		Nyloc Nut M12	4
2	0231-F12		Washer Flat M12	4
3	0264-RTRI-5584	A	Round Tube Insert 60.3 x 3.2-5mm	2
4	0271-128077		U-Bolt M12 x 80 Deep x 77 Wide	2
5	0810-18R	B	Right Hand Off Set M	1



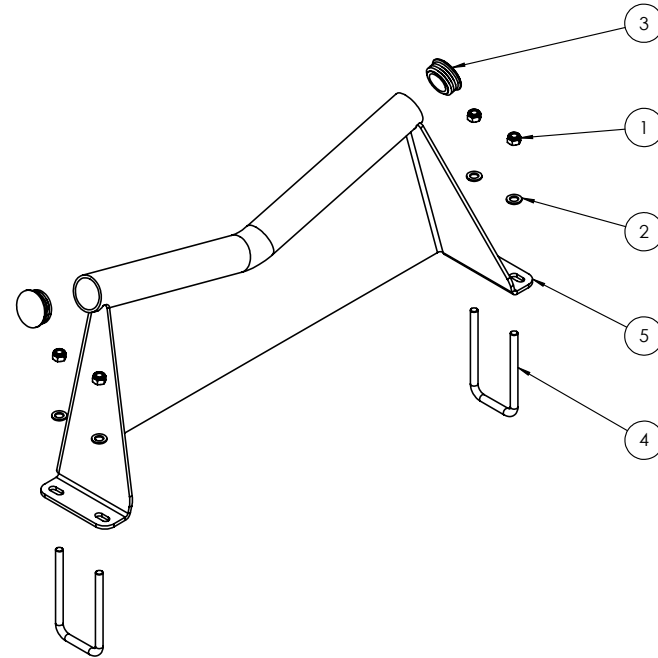
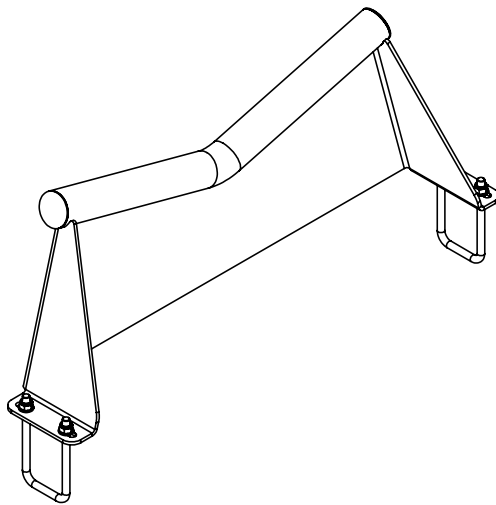
Part Number
0810-18R-RA

Description
Left Hand Rear M Assembly

For Machines Built:

Revision
B

ITEM NO.	PART NUMBER	Revision	DESCRIPTION	QTY.
1	0221-NYL12		Nyloc Nut M12	4
2	0231-F12		Washer Flat M12	4
3	0264-RTRI-5584	A	Round Tube Insert 60.3 x 3.2-5mm	2
4	0271-1215577		U-Bolt M12 x 155 Deep x 77 Wide	2
5	0810-19	D	Straight Chain Carrier M	1



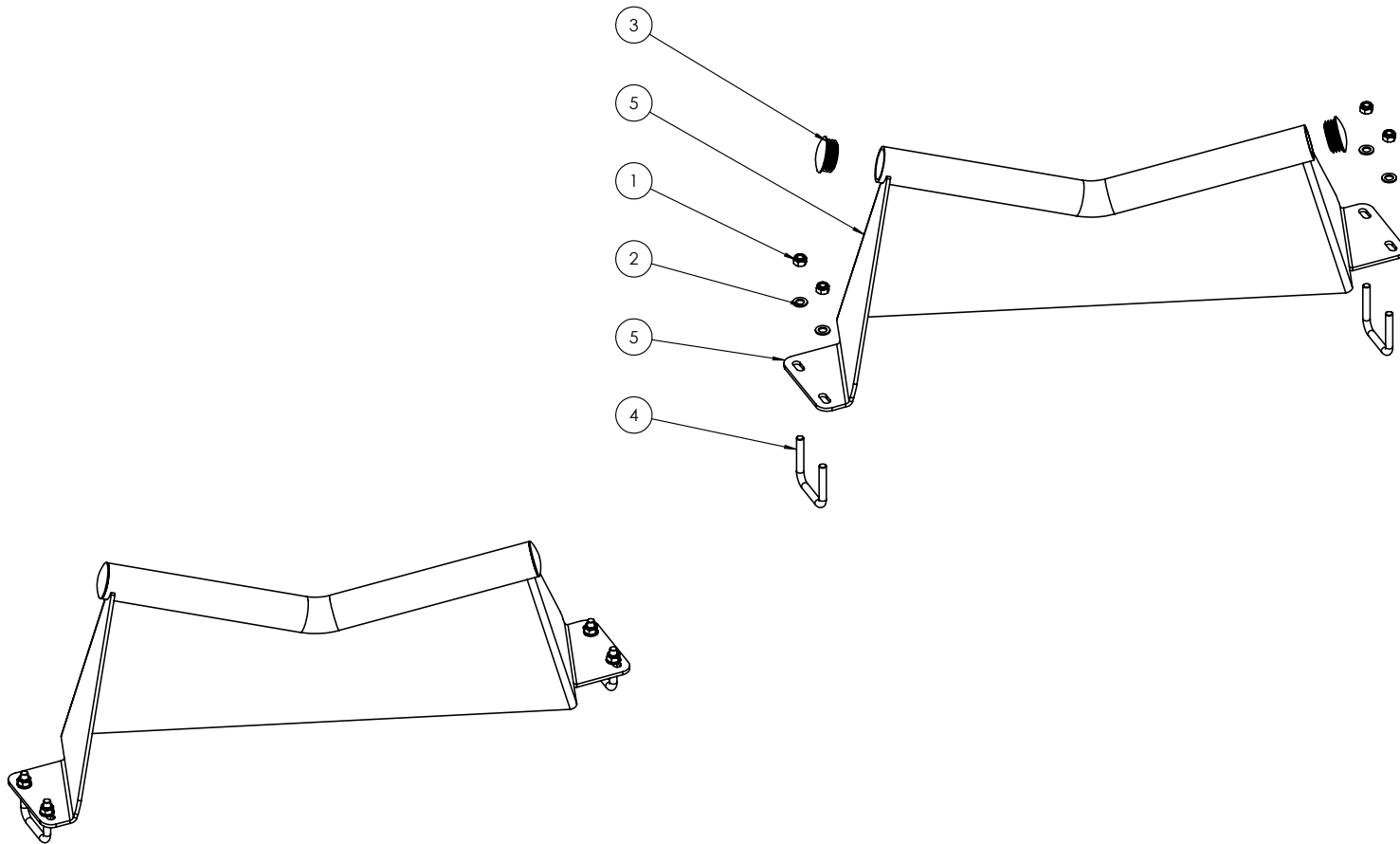
Part Number
0810-19A

Description
Centre Rear M Assembly

For Machines Built:

Revision
B

ITEM NO.	PART NUMBER	Revision	DESCRIPTION	QTY.
1	0221-NYL12		Nyloc Nut M12	4
2	0231-F12		Washer Flat M12	4
3	0264-RTRi-5584	A	Round Tube Insert 60.3 x 3.2-5mm	2
4	0271-128077		U-Bolt M12 x 80 Deep x 77 Wide	2
5	0810-19L	B	Left Hand Off Set M	1



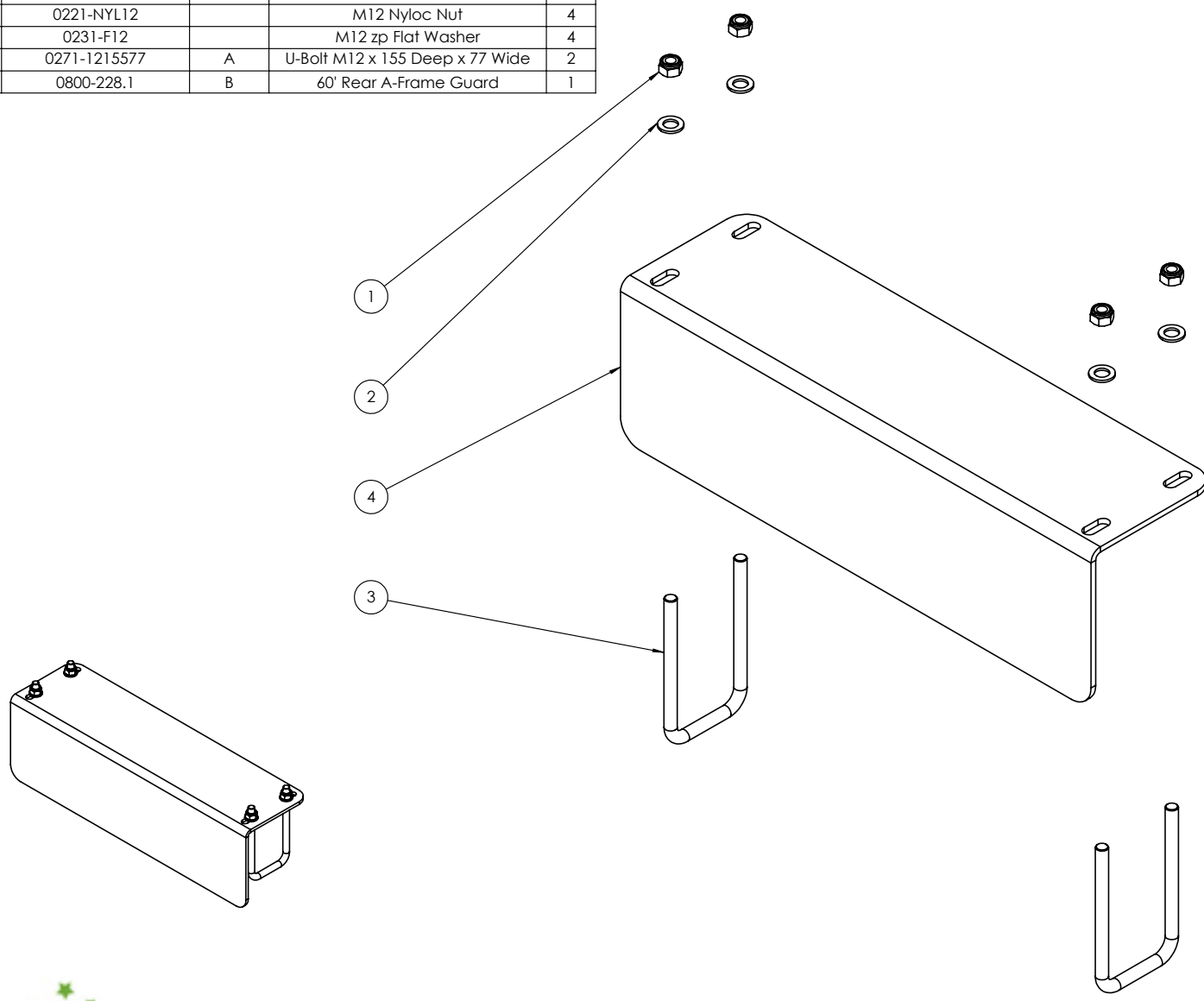
Part Number
0810-19L-RA

Description
Right Hand Rear M Assembly

For Machines Built:

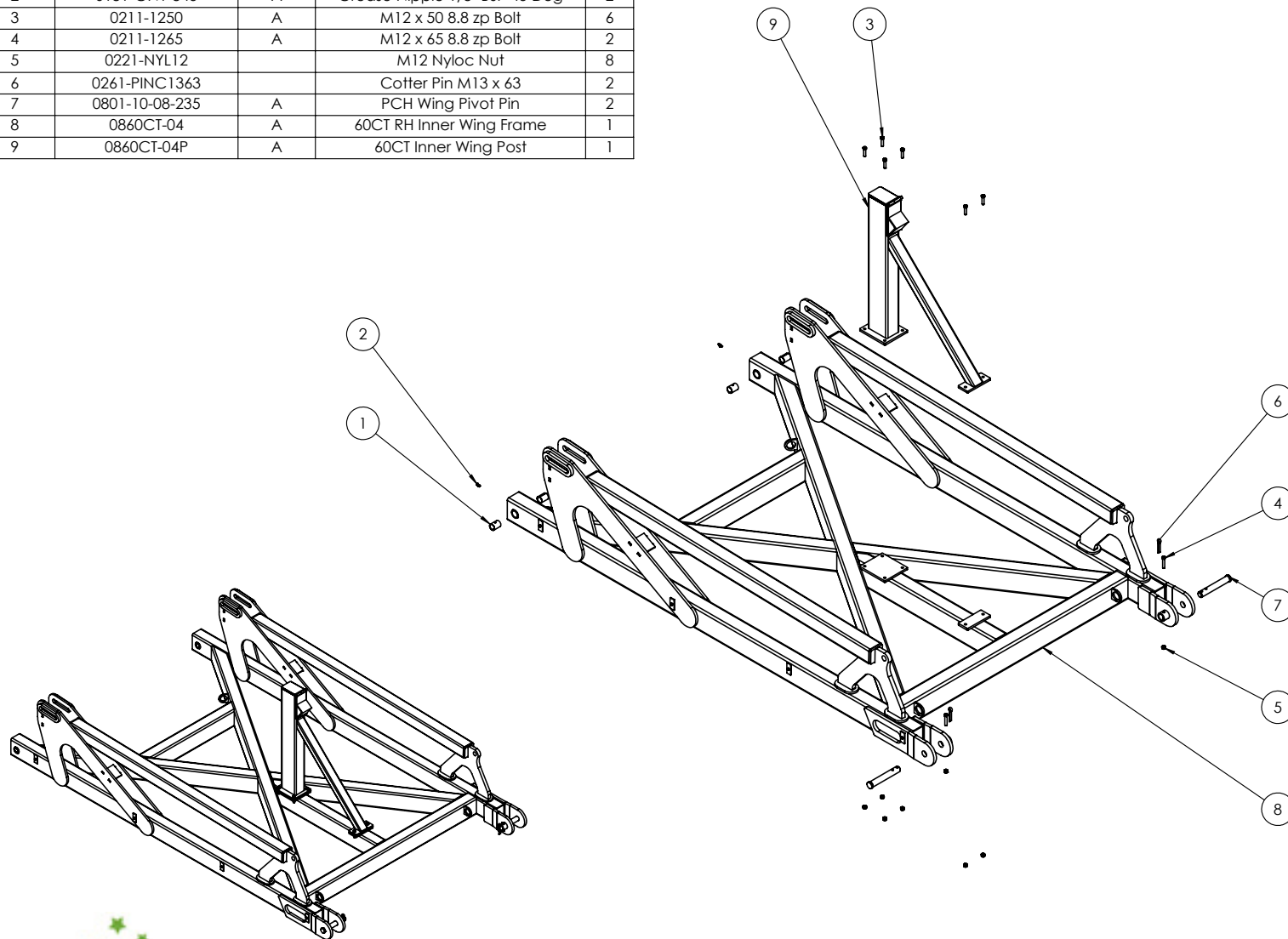
Revision
B

ITEM NO.	PART NUMBER	Revision	DESCRIPTION	QTY.
1	0221-NYL12		M12 Nyloc Nut	4
2	0231-F12		M12 zp Flat Washer	4
3	0271-1215577	A	U-Bolt M12 x 155 Deep x 77 Wide	2
4	0800-228.1	B	60' Rear A-Frame Guard	1



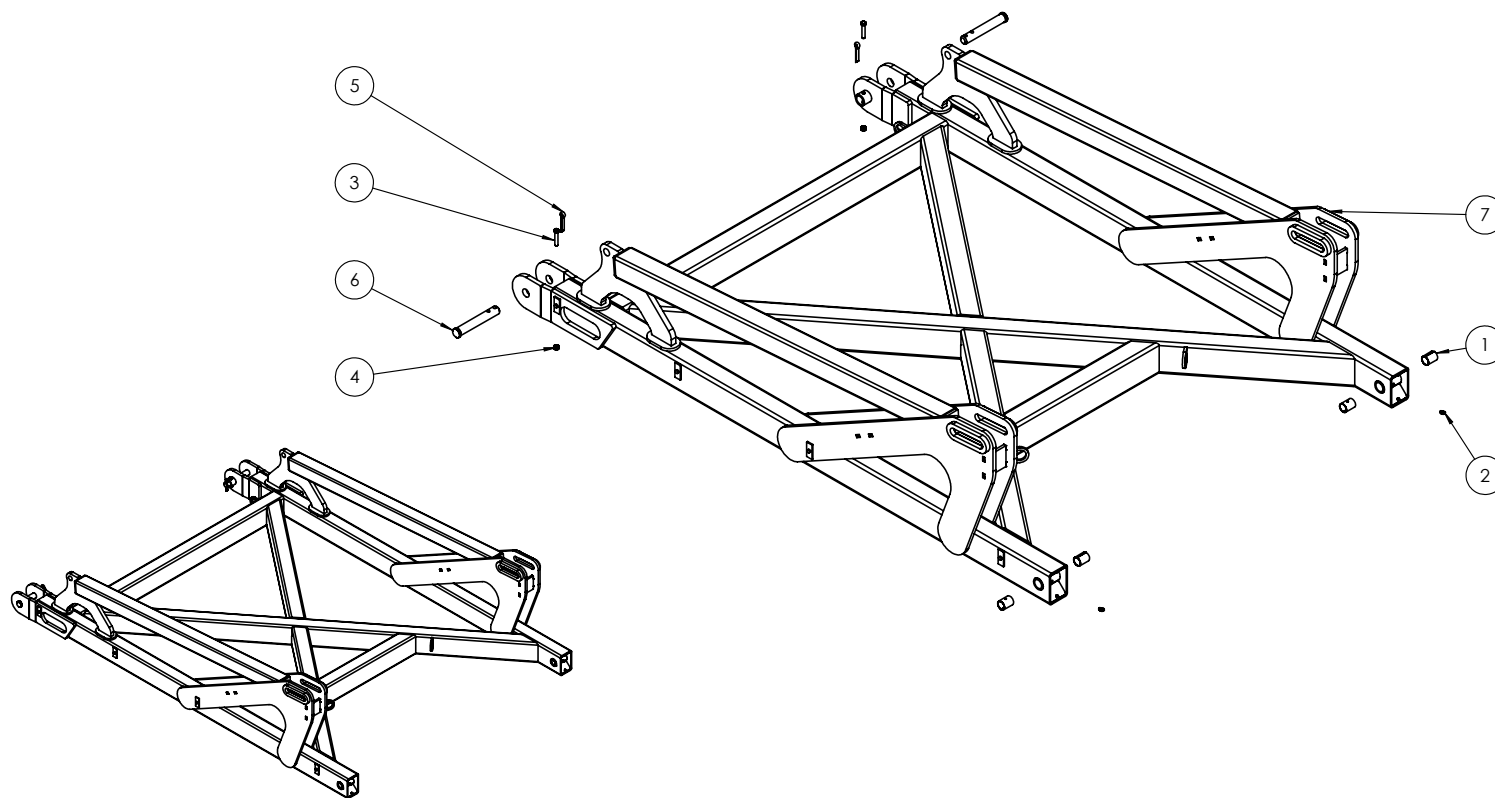
Part Number	Description	For Machines Built:	Revision
0810-228-75	Rear A-Frame Guard Assembly	60CT (2012-)	A

ITEM NO.	PART NUMBER	Revision	DESCRIPTION	QTY.
1	0113-MB 3550DX	A	35 ID x 50mm DX Bush	4
2	0181-GN1-845	A	Grease Nipple 1/8" BSP 45 Deg	2
3	0211-1250	A	M12 x 50 8.8 zp Bolt	6
4	0211-1265	A	M12 x 65 8.8 zp Bolt	2
5	0221-NYL12		M12 Nyloc Nut	8
6	0261-PINC1363		Cotter Pin M13 x 63	2
7	0801-10-08-235	A	PCH Wing Pivot Pin	2
8	0860CT-04	A	60CT RH Inner Wing Frame	1
9	0860CT-04P	A	60CT Inner Wing Post	1



Part Number 0860CT-04A	Description 60CT RH Inner Wing Assembly	For Machines Built: 113060-60CT -	Revision A
----------------------------------	---	--------------------------------------	----------------------

ITEM NO.	PART NUMBER	Revision	DESCRIPTION	QTY.
1	0113-MB 3550DX	A	35 ID x 50mm DX Bush	4
2	0181-GN1-845	A	Grease Nipple 1/8" BSP 45 Deg	2
3	0211-1265	A	M12 x 65 8.8 zp Bolt	2
4	0221-NYL12		M12 Nyloc Nut	2
5	0261-PINC1363		Cotter Pin M13 x 63	2
6	0801-10-08-235	A	PCH Wing Pivot Pin	2
7	0860CT-05	A	60CT LH Inner Wing Frame	1

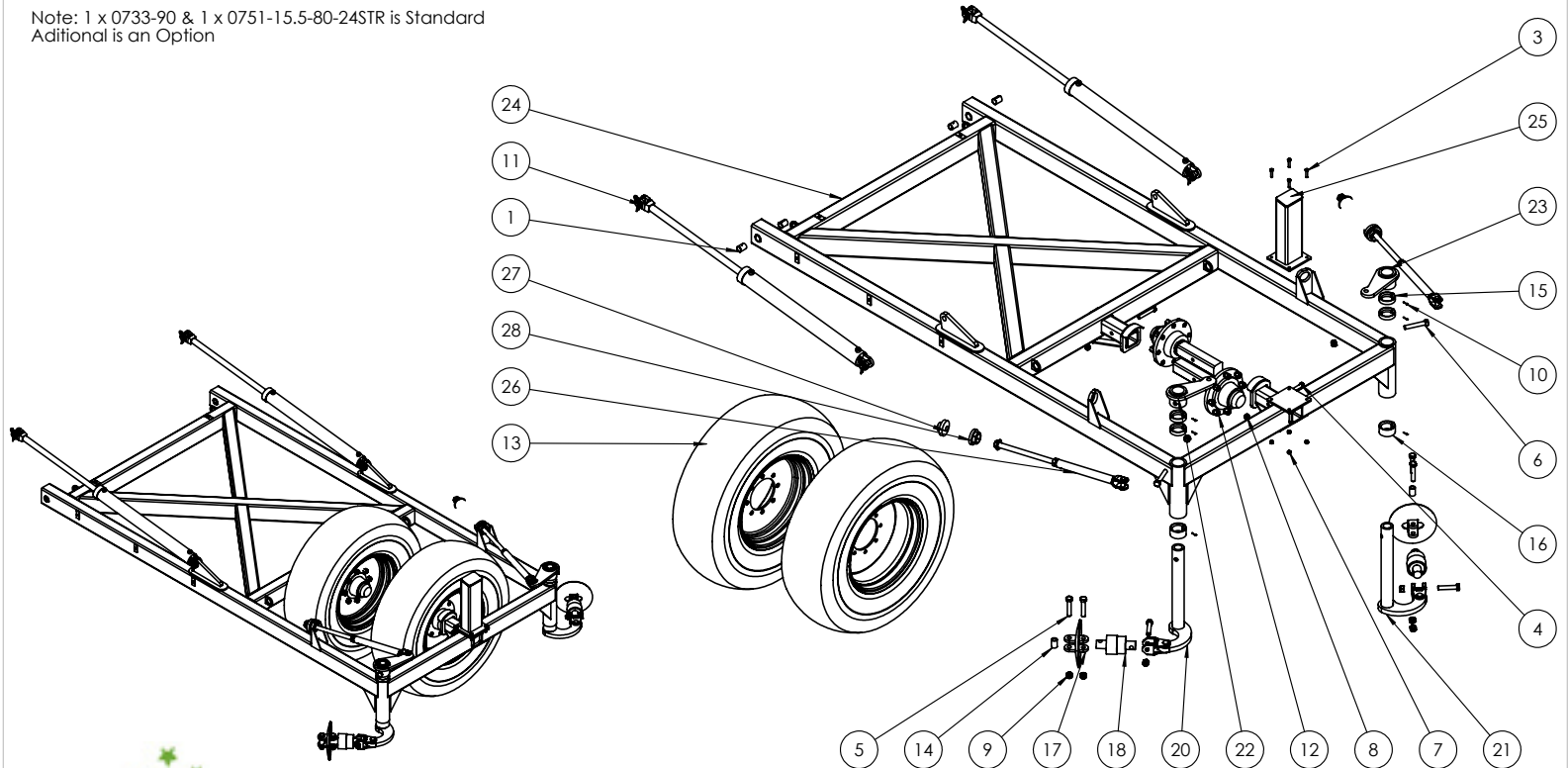


Part Number 0860CT-05A	Description 60CT LH Inner Wing Assembly	For Machines Built: 113060-60CT -	Revision A
----------------------------------	---	--------------------------------------	----------------------

ITEM NO.	PART NUMBER	Revision	DESCRIPTION	QTY.
1	0113-MB 3550DX	A	35 ID x 50mm DX Bush	4
2	0181-GN1-845	A	Grease Nipple 1/8" BSP 45 Deg	2
3	0211-1250		M12 x 50 grade 8.8 ZP Bolt	4
4	0211-20130	A	M20 x 130 grade 8.8 ZP Bolt	2
5	0211-24120ST	A	M24 x 120 grade 10.9 zp Short Thread Bolt	6
6	0211-24140	A	M24 x 140 grade 8.8 zp Bolt	2
7	0221-NYL12		Nyloc Nut M12	4
8	0221-NYL20		Nyloc Nut M20	2
9	0221-NYL24		Nyloc Nut M24	8
10	0243-STS8G1.25ZP	A	Poly Spacer Clamp Screw	6
11	0311-6896	A	Hyd Cylinder 3.5" x 32" + 4" Stop Tube	2
12	0733-90	A	90 Series Stub Axle (Stub and Hub Complete)	2
13	0751-15.5-80-24TR	A	15.5/80-24 Tyre on 8 on 275mm PCD Rim	2
14	0801-PCDCS55	A	Tie Plate Bush	2

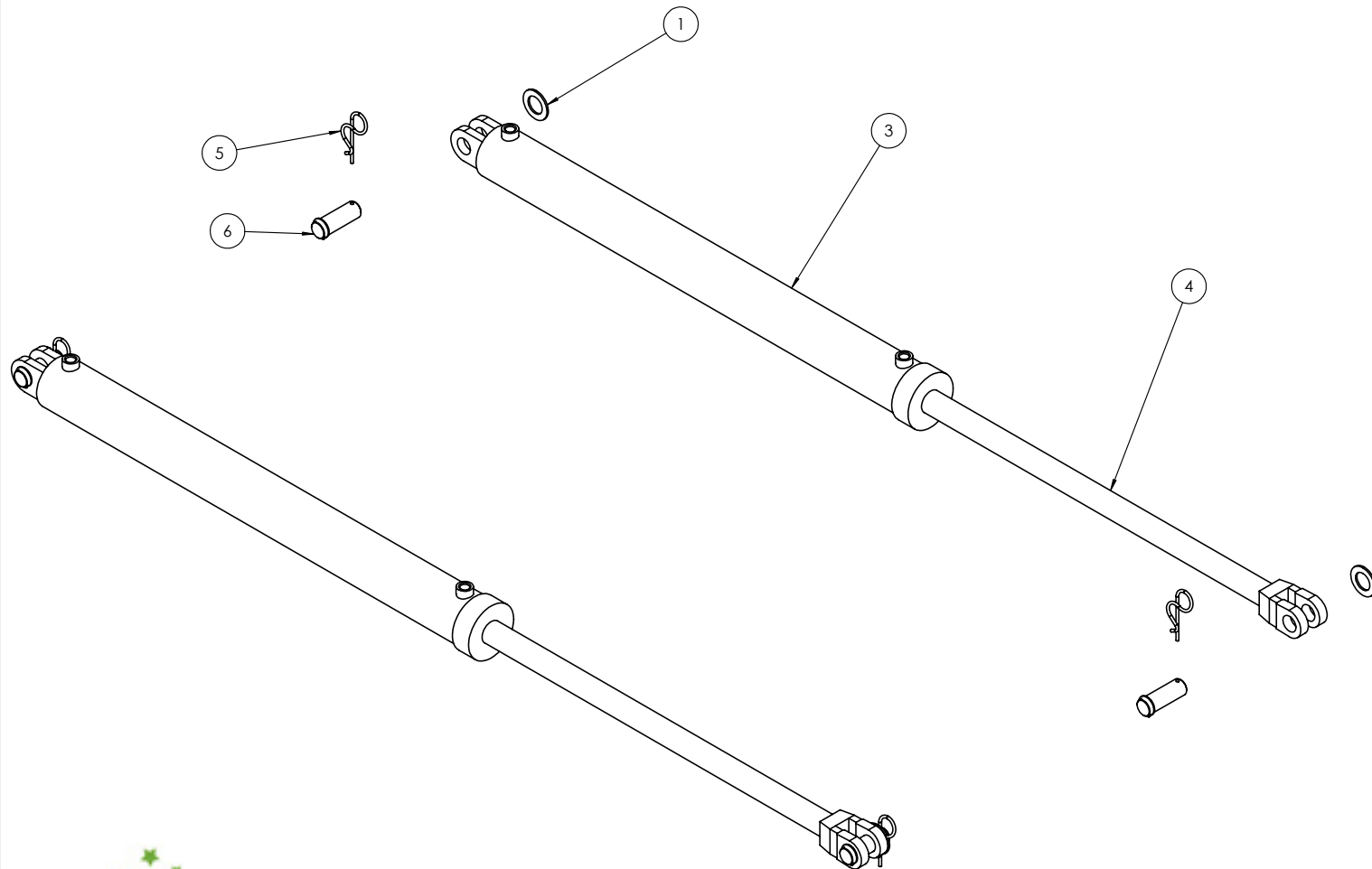
ITEM NO.	PART NUMBER	Revision	DESCRIPTION	QTY.
15	0801-PS25	A	25mm Drop leg Spacer	4
16	0801-PS50	A	50mm Drop Leg Spacer	2
17	0802-DCTP-24	A	Disc Chain Tie Plate Link 24mm	2
18	0802-PCHB553	A	24mm Bolt Swivel Unit	2
19	0802-PCHTAA	A	Chain Tension Assembly	1
20	0810-24-60	B	LH Drop Leg 24mm Clevis	1
21	0810-25-60	B	RH Drop Leg 24mm Clevis	1
22	0810-26	B	LH Chain Adjusting Lug	1
23	0810-27	B	RH Chain Adjusting Lug	1
24	0860CT-06	C-0	60CT RH Outer Wing Frame	1
25	0860CT-06P	D-0	60CT Outer Wing Post	1
26	0802-PCHTA-S	A-0	Short Chain Tension Adjustor	1
27	0801-KE0805-3	C-0	Tensioner Cup - Male	1
28	0801-KE0805-4	D	Female Spring Locator	1

Note: 1 x 0733-90 & 1 x 0751-15.5-80-24STR is Standard
Additional is an Option



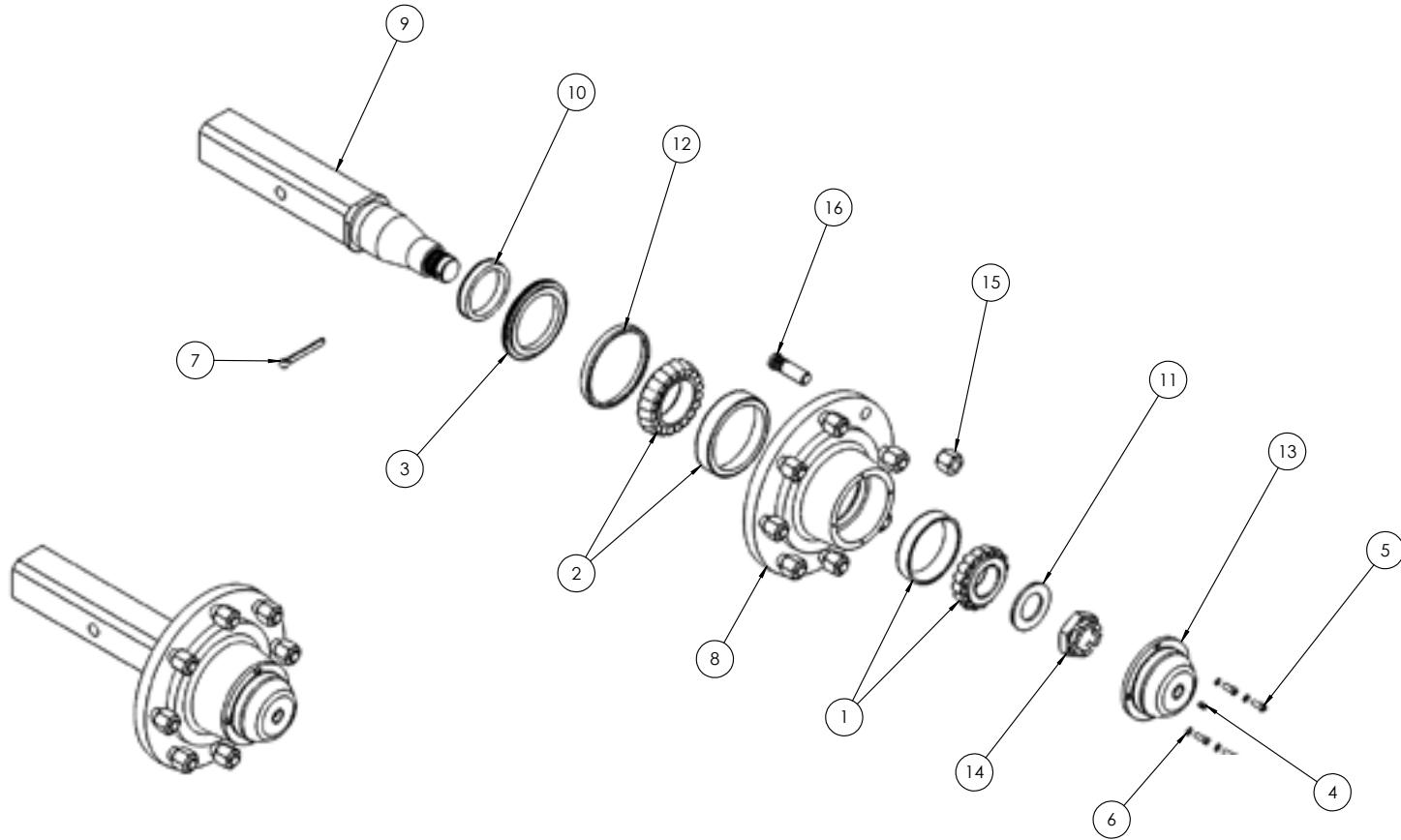
Part Number 0860CT-06A	Description 60CT RH Outer Wing Assembly	For Machines Built: (113060-60CT -)	Revision C-0
----------------------------------	---	---	------------------------

ITEM NO.	PART NUMBER	Revision	DESCRIPTION	QTY.
1	0232-F11-4		Washer Flat 1 1/4"	2
2	0312-EF0202		Seal Kit 3.5"	1
3	0313-6896B	A	3.5" x 32" Hydraulic Cylinder Barrel	1
4	0313-6896R	A	3.5" X 32" Hydraulic Cylinder Rod	1
5	0801-KE012	A	S Locking Pin Clip 5mm	2
6	0801-44103786	A	Cylinder Pin 1 1/4" x 94mm	2



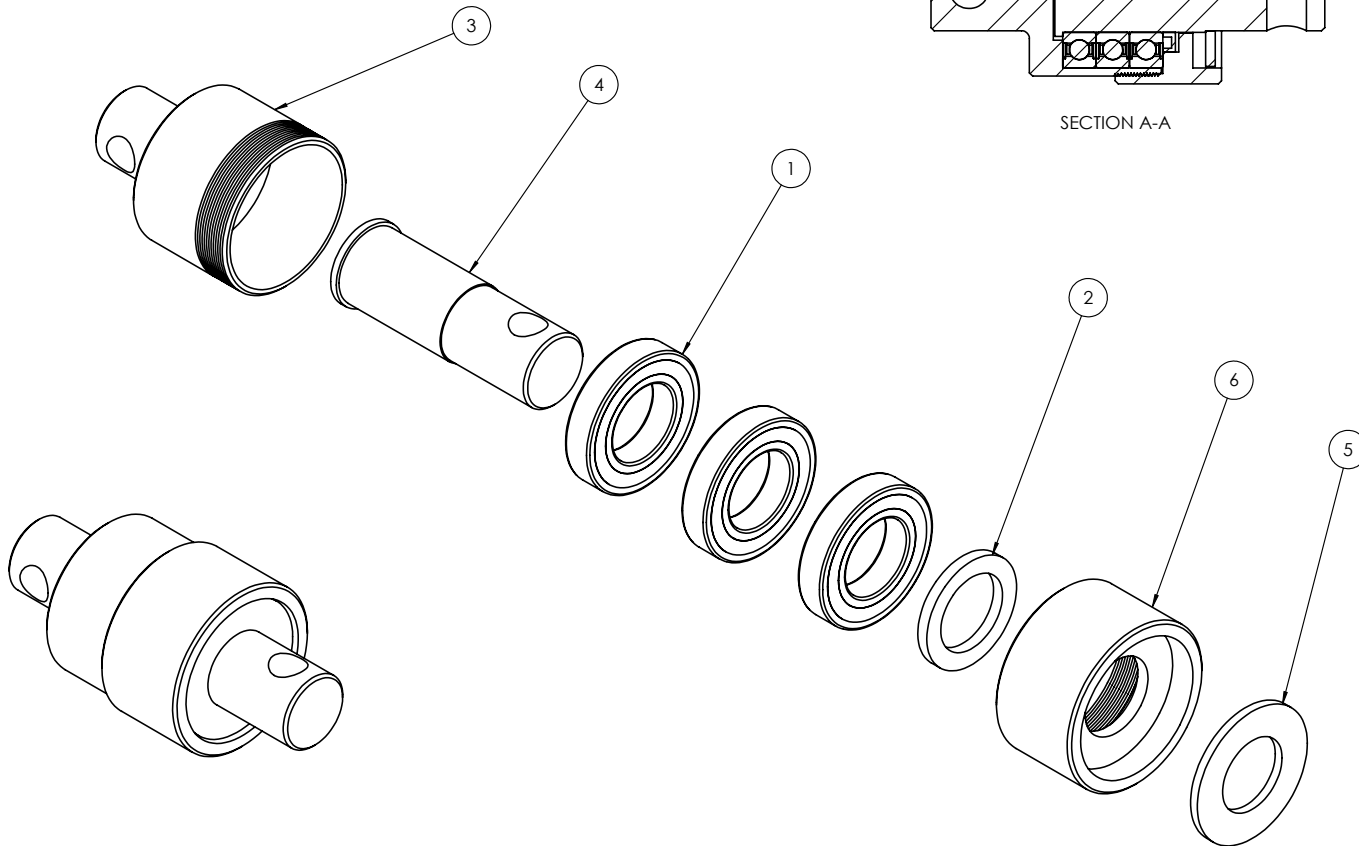
Part Number	Description	For Machines Built:	Revision
0311-6896	Hyd Cylinder 3.5" x 32" + 4" Stop Tube	65'(112043-65 -) 60CT(113060-60CT -)	A

ITEM NO.	PART NUMBER	Revision	DESCRIPTION	QTY.	ITEM NO.	PART NUMBER	Revision	DESCRIPTION	QTY.
1	0111-30311		Bearing 30311 (Cup & Cone)	1	9	0732-90S	A	90 Series Stub Axle (stub only)	1
2	0111-32216		Bearing 32216 (Cup & Cone)	1	10	0741-90SR	A	90 Series Axle Seal Ring	1
3	0121-X3-14010012	A	Triple Lip Seal 140 x 100 x 12mm	1	11	0741-90W	A	90 Series Axle Washer	1
4	0181-GN1-4		Grease Nipple 1/4" UNF	1	12	0741-90WR	A	90 Series Axle Wear Ring	1
5	AS 1420 - M6 x 20-N			4	13	0741-D-CAP90	A	Dust Cap Bolt On Titan 90 Series	1
6	0231-SL6		Serrated Lock Washer M6	4	14	0741-NCASTM45	A	Castle Nut M45 x 1.5	1
7	AS 1236 PSM - 8 x 80			1	15	0741-NWHM20	A	Wheel Nut M20 x 1.5 Radiused	8
8	0732-90H	A	90 Series 8 on 275mm Hub (Hub only)	1	16	0741-WS20	A	M20 Wheel Stud Titan 90 Series	8



Part Number 0733-90	Description 90 Series Stub Axle (Stub and Hub Complete)	For Machines Built: 65'(112043-65)-	Revision A
-------------------------------	--	--	---------------

ITEM NO.	PART NUMBER	Revision	DESCRIPTION	QTY.
1	0112-6211		Bearing 6211 2RS	3
2	0121-TC5588		TC Seal 55mm x 80mm x 8mm	1
3	0801-PCHB553H	A	Housing to Suit PCHB553 Swivel	1
4	0801-PCHB553S	A	Shaft To Suit PCHB553 Swivel	1
5	0801-PCHB553WA	A	Washer To Suit PCHB553 Swivel	1
6	0801-PCHD553C	A	Cap To Suit PCHB553 Swivel	1



Part Number
0802-PCHB553

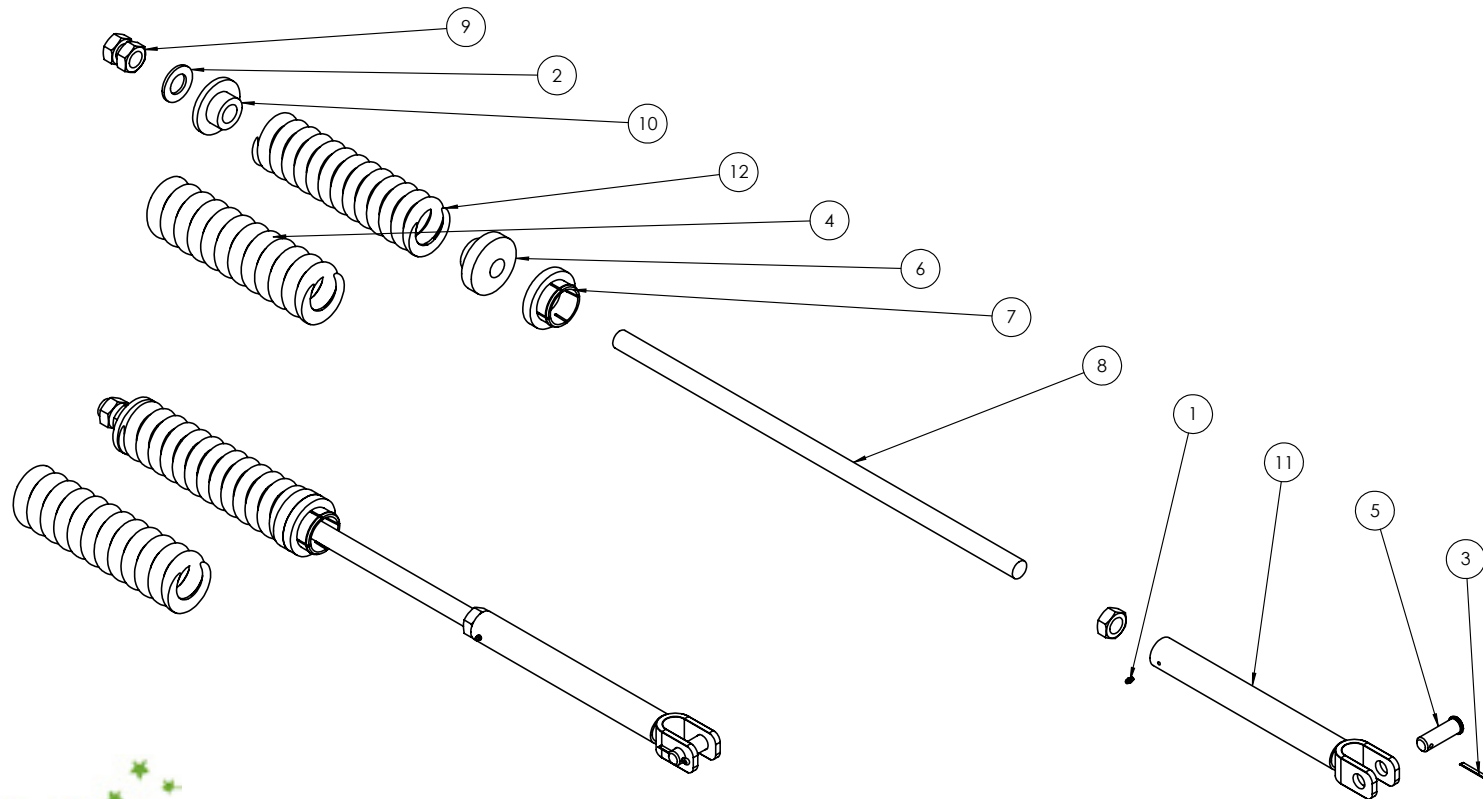
Description
24mm Bolt Swivel Unit

For Machines Built:
65'(112043-65)-

Revision
A

ITEM NO.	PART NUMBER	Notes	Revision	DESCRIPTION	QTY.
1	0181-GN1-4			Grease Nipple 1/4" UNF	1
2	0232-HT11-4			Washer High Tensile 1 1/4"	1
3	0261-PINC550		A	Cotter Pin M5 x 50	1
4	0801-K2455350	1	A	Heavy Duty Coil Spring 24mm	1
5	0801-KE0307-1		A	Clevis Pin 25mm x 75mm	1
6	0801-KE0805-3		B	Tensioner Cup - Male	1
7	0801-KE0805-4		D	Female Spring Locator	1
8	0801-PCHTA-B6		B	Chain Tension Rod 1.25" 5tpi	1
9	0801-PCHTA-N6		B	ACME Lock Nut 1 1/4 - 5NA - 2G	3
10	0801-PCHTA-SB		B	Steel Spring Retaining Bush	1
11	0801-PCHTABC		B	Tension Assembly Body with Clevis	1
12	0801-XK9261S	2	A	20mm Compression Spring	1
13	0802-PCHTA			Chain Tension Linkage Set (Items 1,2,3,5,8,9,10,11)	

Notes:
1 Used on rear chain tension 50-60' machines only
2 Used in all other areas



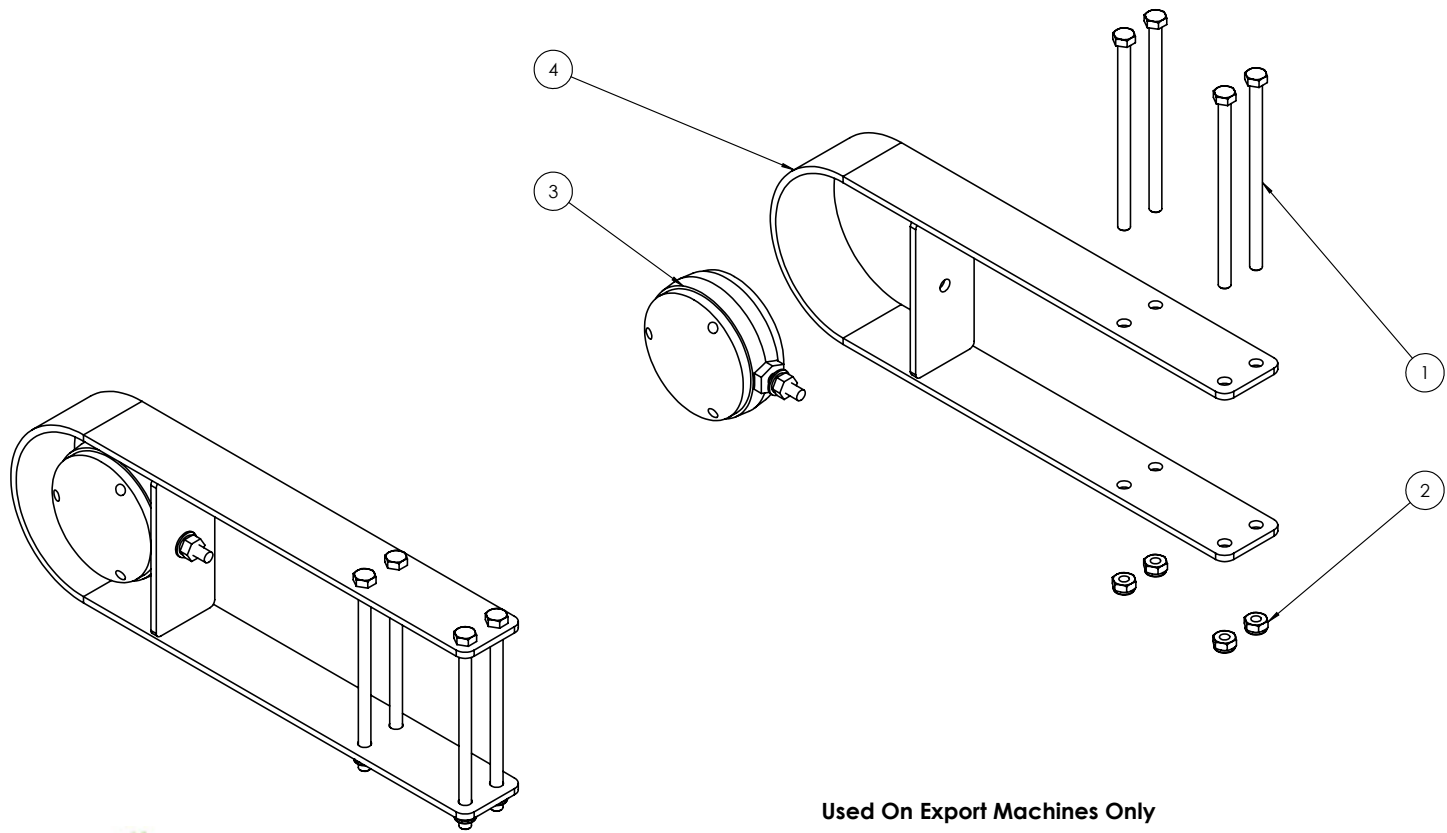
Part Number
0802-PCHTAA

Description
Chain Tension Assembly

For Machines Built:
All(2006)-

Revision
A

ITEM NO.	PART NUMBER	Revision	DESCRIPTION	QTY.
1	0211-10180	A	M10 x 180 8.8 zp Bolt	4
2	0221-NYL10		M10 Nyloc Nut	4
3	0412-85940	A	Indicator Lamp	1
4	0810-34LB	B	Light Bracket	1

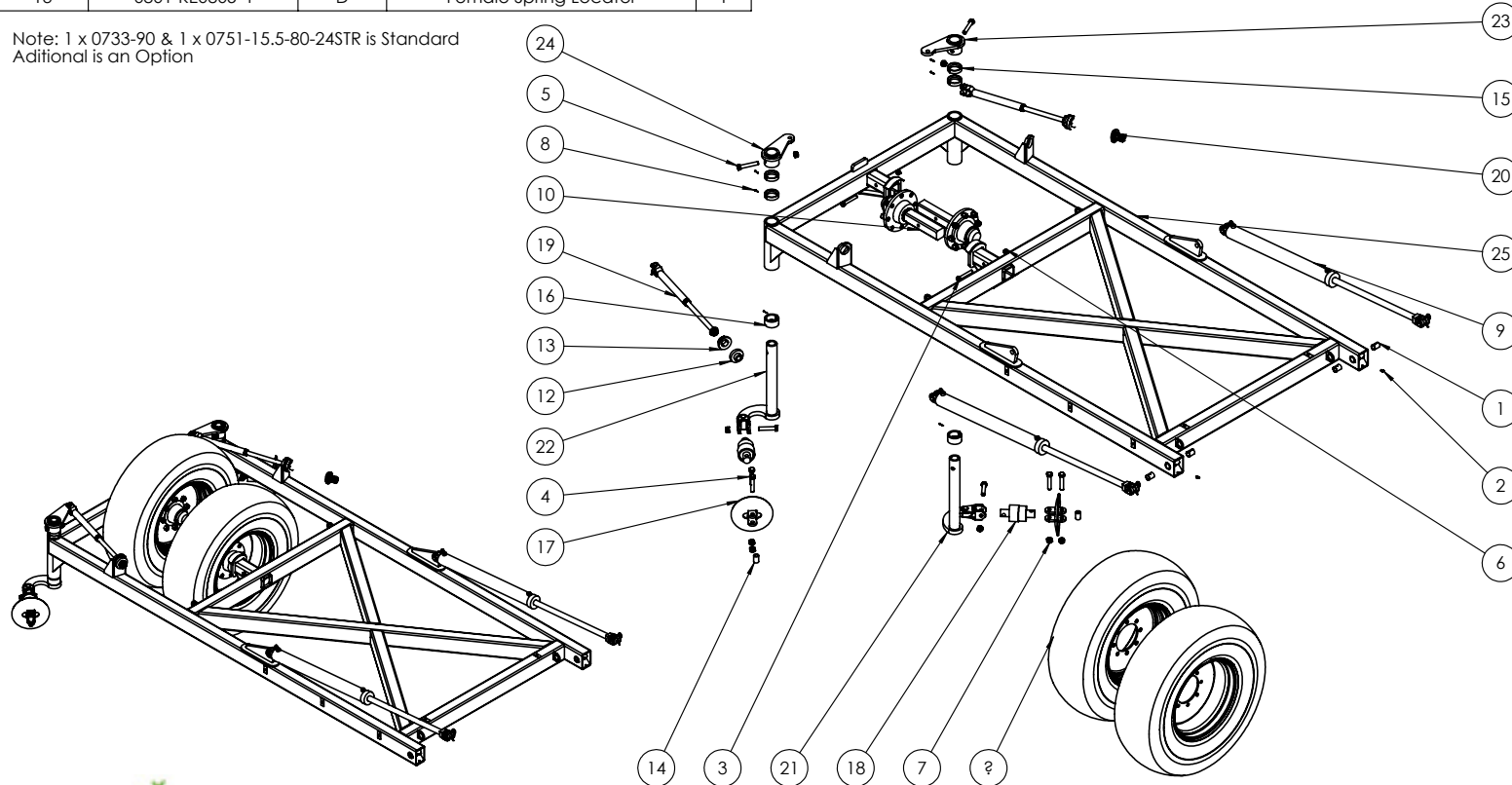


Part Number 0810-34LBA	Description Indicator Light Assembly	For Machines Built:	Revision A
----------------------------------	---	---------------------	---------------

ITEM NO.	PART NUMBER	Revision	DESCRIPTION	QTY.
1	0113-MB 3550DX	A	35 ID x 50mm DX Bush	4
2	0181-GN1-845	A	Grease Nipple 1/8" BSP 45 Deg	2
3	0211-20130	A	M20 x 130 grade 8.8 ZP Bolt	2
4	0211-24120ST	A	M24 x 120 grade 10.9 zp Short Thread Bolt	6
5	0211-24140	A	M24 x 140 grade 8.8 zp Bolt	2
6	0221-NYL20		Nyloc Nut M20	2
7	0221-NYL24		Nyloc Nut M24	8
8	0243-ST58G1.25ZP	A	Poly Spacer Clamp Screw	6
9	0311-6896	A	Hyd Cylinder 3.5" x 32" + 4" Stop Tube	2
10	0733-90	A	90 Series Stub Axle (Stub and Hub Complete)	2
11	0751-15.5-80-24TR	A	15.5/80-24 Tyre on 8 on 275mm PCD Rim	2
12	0801-KE0805-3	C-0	Tensioner Cup - Male	1
13	0801-KE0805-4	D	Female Spring Locator	1

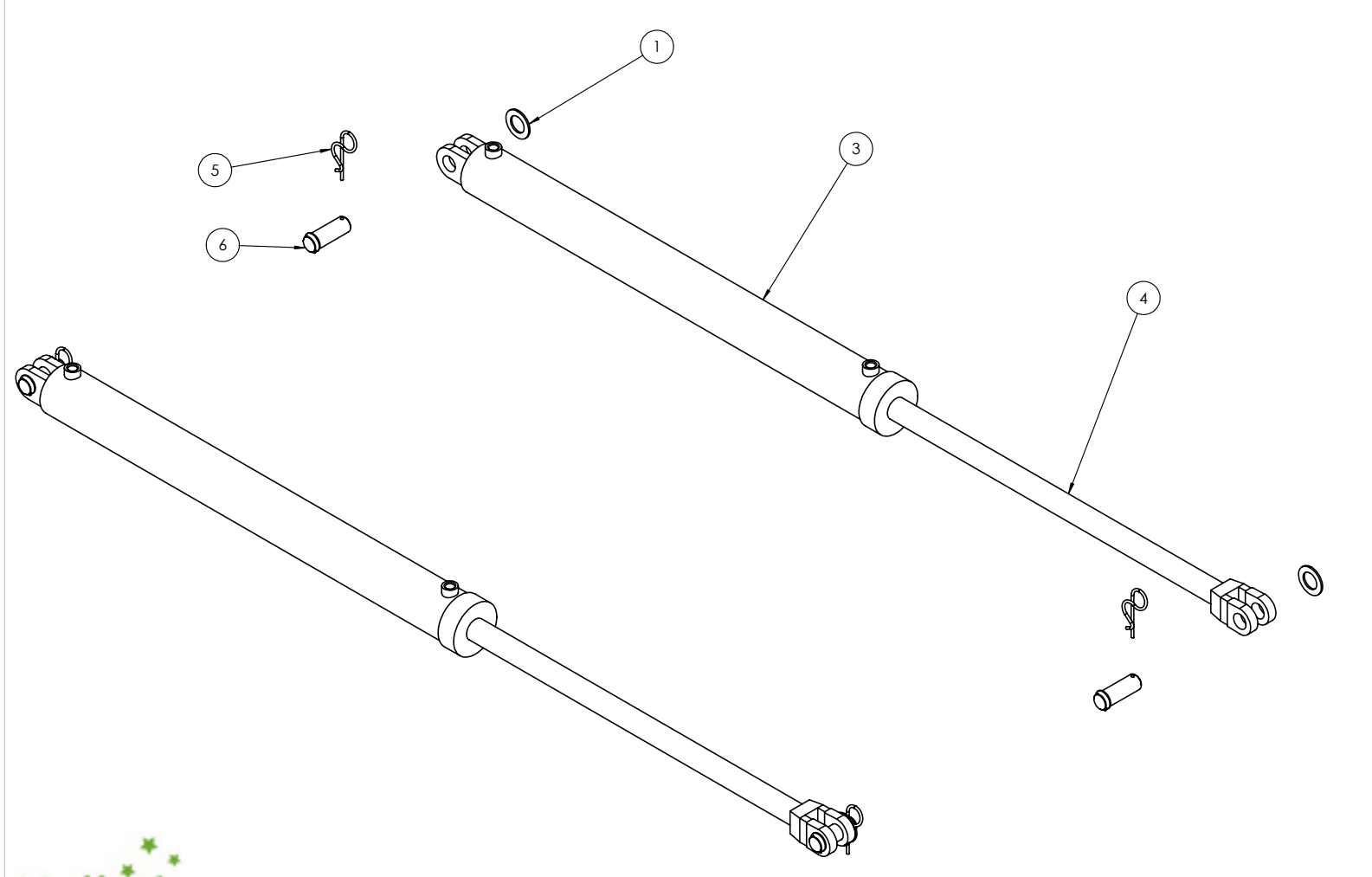
ITEM NO.	PART NUMBER	Revision	DESCRIPTION	QTY.
14	0801-PCDCS55	A	Tie Plate Bush	2
15	0801-PS25	A	25mm Drop leg Spacer	4
16	0801-PS50	A	50mm Drop Leg Spacer	2
17	0802-DCTP-24	A	Disc Chain Tie Plate Link 24mm	2
18	0802-PCHB553	A	24mm Bolt Swivel Unit	2
19	0802-PCHTA-S	A-0	Short Chain Tension Adjustor	1
20	0802-PCHTAA	A	Chain Tension Assembly	1
21	0810-24-60	B	LH Drop Leg 24mm Clevis	1
22	0810-25-60	B	RH Drop Leg 24mm Clevis	1
23	0810-26	B	LH Chain Adjusting Lug	1
24	0810-27	B	RH Chain Adjusting Lug	1
25	0860CT-07	B	60CT LH Outer Wing Frame	1

Note: 1 x 0733-90 & 1 x 0751-15.5-80-24STR is Standard
Additional is an Option



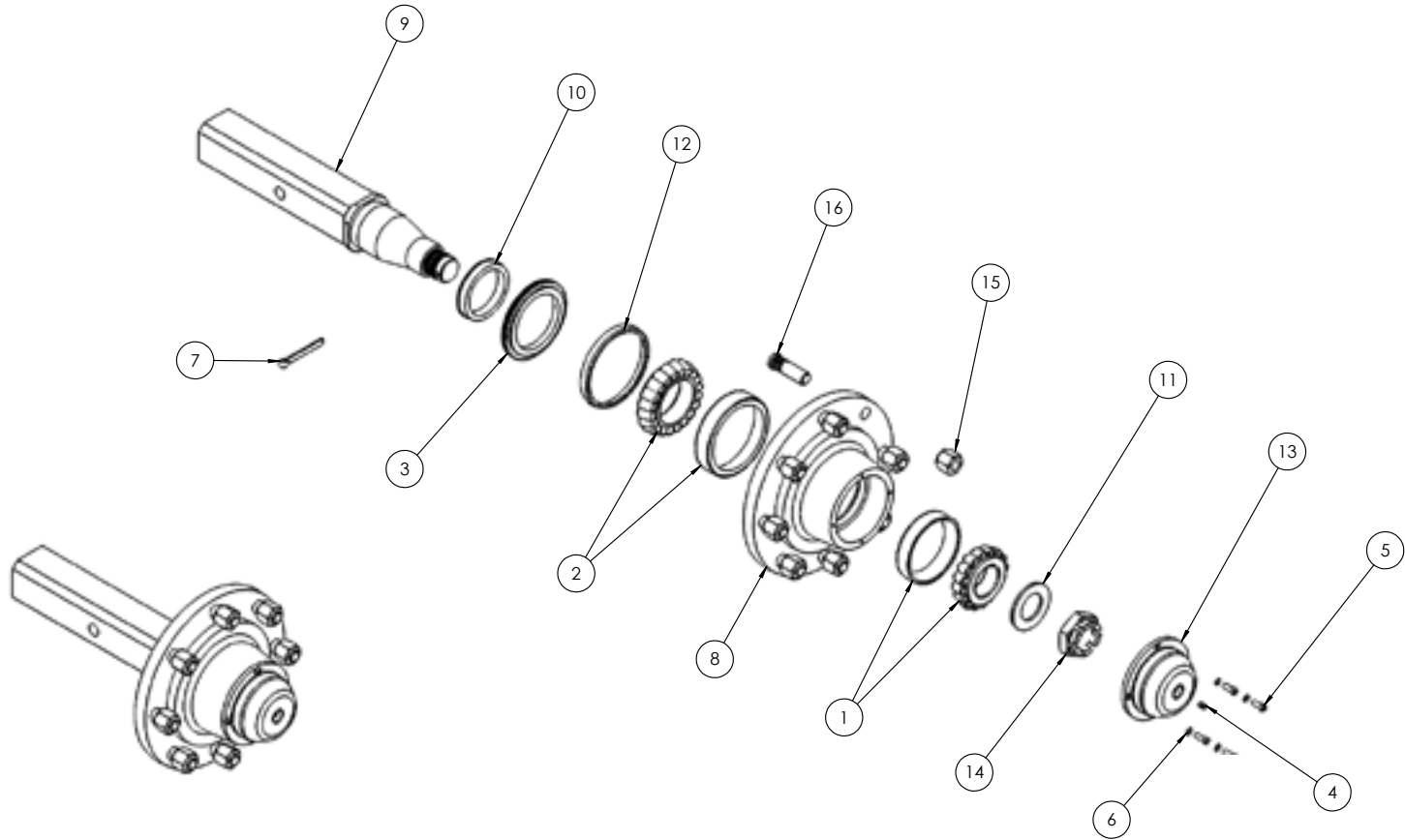
Part Number	Description	For Machines Built:	Revision
0860CT-07A	60CT LH Outer Wing Assembly	(113060-60CT -)	C-0

ITEM NO.	PART NUMBER	Revision	DESCRIPTION	QTY.
1	0232-F11-4		Washer Flat 1 1/4"	2
2	0312-EF0202		Seal Kit 3.5"	1
3	0313-6896B	A	3.5" x 32" Hydraulic Cylinder Barrel	1
4	0313-6896R	A	3.5" X 32" Hydraulic Cylinder Rod	1
5	0801-KE012	A	S Locking Pin Clip 5mm	2
6	0801-44103786	A	Cylinder Pin 1 1/4" x 94mm	2



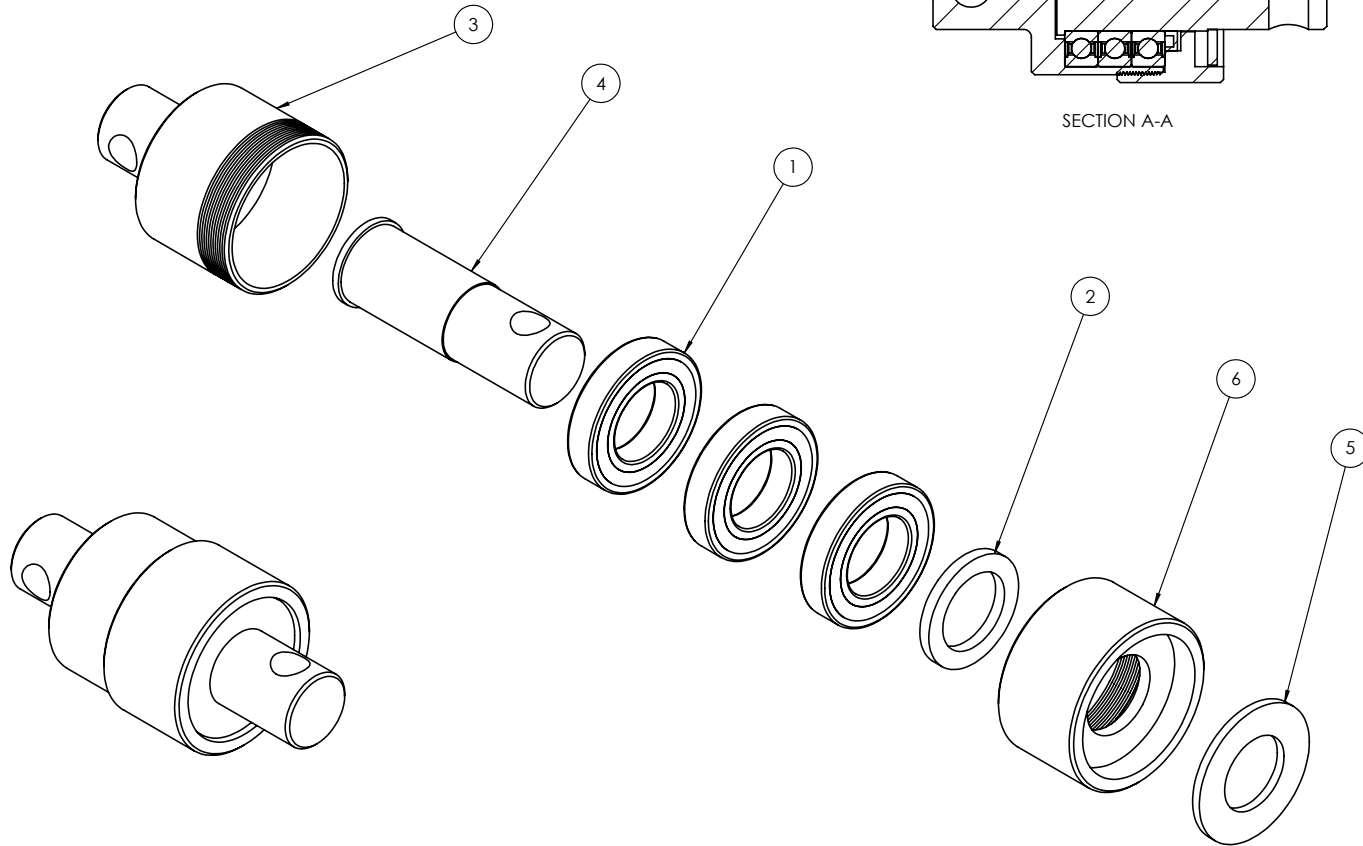
Part Number	Description	For Machines Built:	Revision
0311-6896	Hyd Cylinder 3.5" x 32" + 4" Stop Tube	65'(112043-65 -) 60CT(113060-60CT -)	A

ITEM NO.	PART NUMBER	Revision	DESCRIPTION	QTY.	ITEM NO.	PART NUMBER	Revision	DESCRIPTION	QTY.
1	0111-30311		Bearing 30311 (Cup & Cone)	1	9	0732-90S	A	90 Series Stub Axle (stub only)	1
2	0111-32216		Bearing 32216 (Cup & Cone)	1	10	0741-90SR	A	90 Series Axle Seal Ring	1
3	0121-X3-14010012	A	Triple Lip Seal 140 x 100 x 12mm	1	11	0741-90W	A	90 Series Axle Washer	1
4	0181-GN1-4		Grease Nipple 1/4" UNF	1	12	0741-90WR	A	90 Series Axle Wear Ring	1
5	AS 1420 - M6 x 20-N			4	13	0741-D-CAP90	A	Dust Cap Bolt On Titan 90 Series	1
6	0231-SL6		Serrated Lock Washer M6	4	14	0741-NCASTM45	A	Castle Nut M45 x 1.5	1
7	AS 1236 PSM - 8 x 80			1	15	0741-NWHM20	A	Wheel Nut M20 x 1.5 Radiused	8
8	0732-90H	A	90 Series 8 on 275mm Hub (Hub only)	1	16	0741-WS20	A	M20 Wheel Stud Titan 90 Series	8



Part Number 0733-90	Description 90 Series Stub Axle (Stub and Hub Complete)	For Machines Built: 65'(112043-65)-	Revision A
-------------------------------	--	--	----------------------

ITEM NO.	PART NUMBER	Revision	DESCRIPTION	QTY.
1	0112-6211		Bearing 6211 2RS	3
2	0121-TC5588		TC Seal 55mm x 80mm x 8mm	1
3	0801-PCHB553H	A	Housing to Suit PCHB553 Swivel	1
4	0801-PCHB553S	A	Shaft To Suit PCHB553 Swivel	1
5	0801-PCHB553WA	A	Washer To Suit PCHB553 Swivel	1
6	0801-PCHD553C	A	Cap To Suit PCHB553 Swivel	1



Part Number
0802-PCHB553

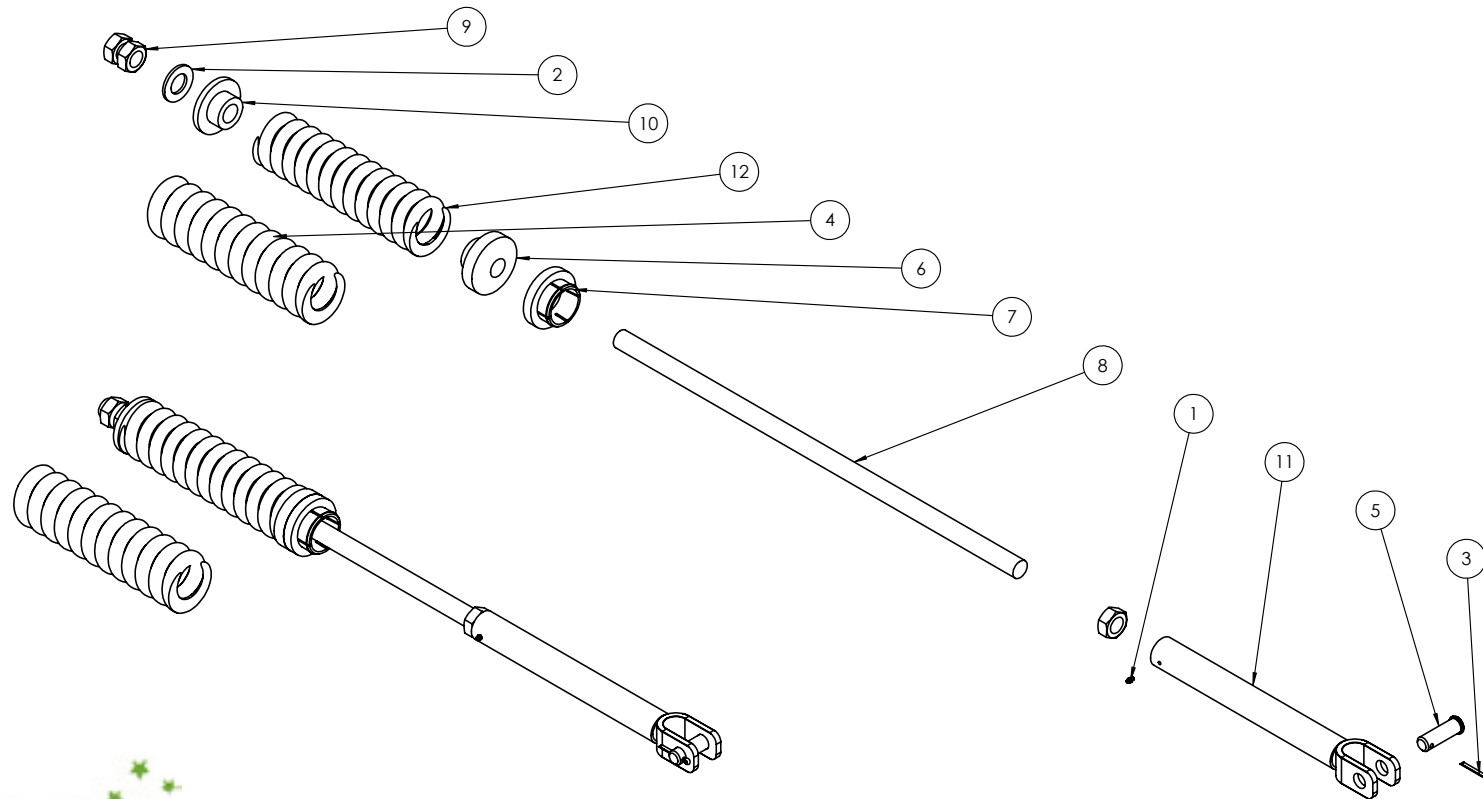
Description
24mm Bolt Swivel Unit

For Machines Built:
65'(112043-65)-

Revision
A

ITEM NO.	PART NUMBER	Notes	Revision	DESCRIPTION	QTY.
1	0181-GN1-4			Grease Nipple 1/4" UNF	1
2	0232-HT11-4			Washer High Tensile 1 1/4"	1
3	0261-PINC550		A	Cotter Pin M5 x 50	1
4	0801-K2455350	1	A	Heavy Duty Coil Spring 24mm	1
5	0801-KE0307-1		A	Clevis Pin 25mm x 75mm	1
6	0801-KE0805-3		B	Tensioner Cup - Male	1
7	0801-KE0805-4		D	Female Spring Locator	1
8	0801-PCHTA-B6		B	Chain Tension Rod 1.25" 5tpi	1
9	0801-PCHTA-N6		B	ACME Lock Nut 1 1/4 - 5NA - 2G	3
10	0801-PCHTA-SB		B	Steel Spring Retaining Bush	1
11	0801-PCHTABC		B	Tension Assembly Body with Clevis	1
12	0801-XK9261S	2	A	20mm Compression Spring	1
13	0802-PCHTA			Chain Tension Linkage Set (Items 1,2,3,5,8,9,10,11)	

Notes:
1 Used on rear chain tension 50-60' machines only
2 Used in all other areas



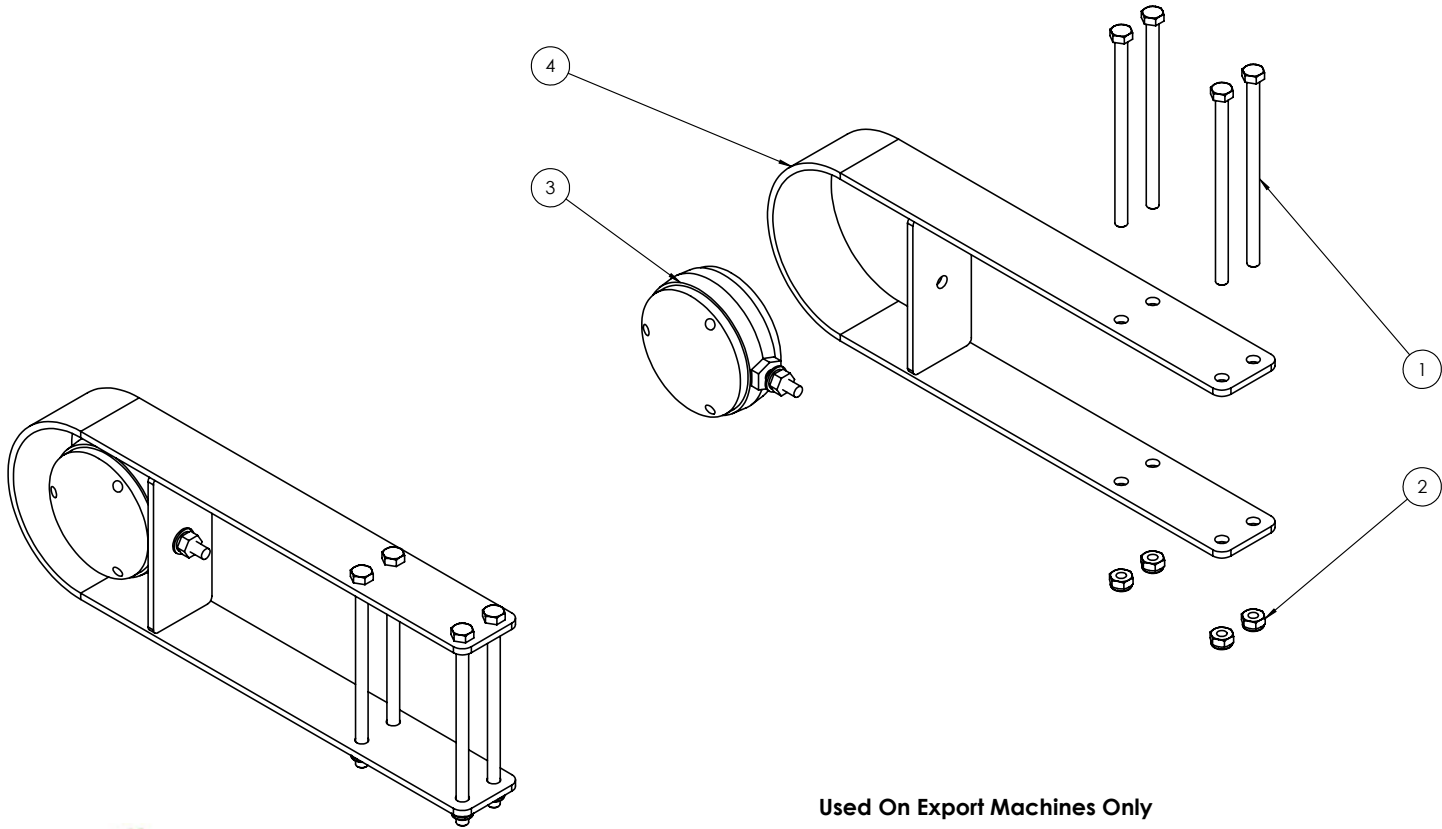
Part Number
0802-PCHTAA

Description
Chain Tension Assembly

For Machines Built:
All(2006)-

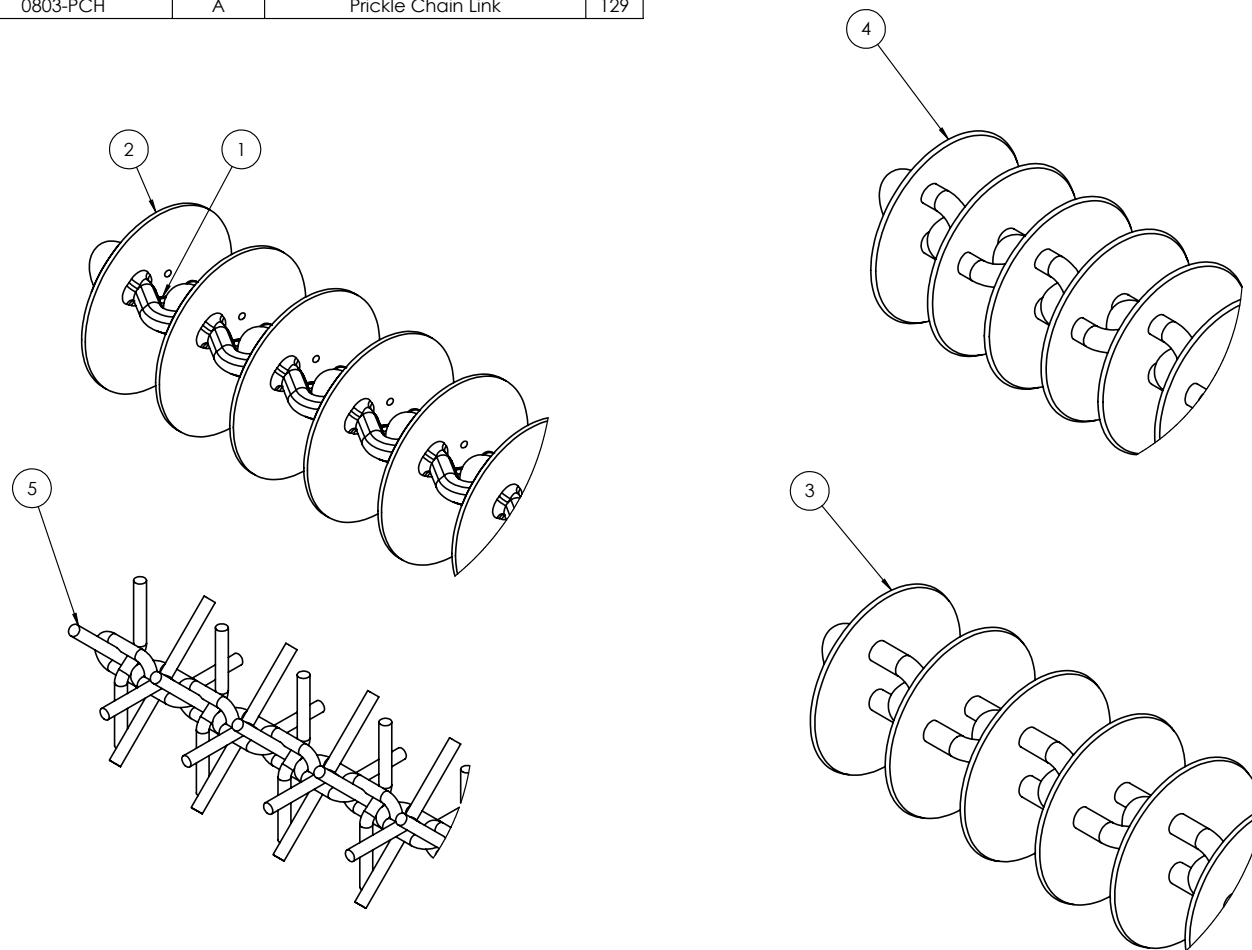
Revision
A

ITEM NO.	PART NUMBER	Revision	DESCRIPTION	QTY.
1	0211-10180	A	M10 x 180 8.8 zp Bolt	4
2	0221-NYL10		M10 Nyloc Nut	4
3	0412-85940	A	Indicator Lamp	1
4	0810-34LB	B	Light Bracket	1



Part Number 0810-34LBA	Description Indicator Light Assembly	For Machines Built:	Revision A
----------------------------------	---	---------------------	---------------

ITEM NO.	PART NUMBER	Revision	DESCRIPTION	QTY.
1	0262-3-8X3	A	Roll Pin Zinc Plated 3/8" x 3"	71
2	0803-CL1	C	CL1-B Chain Disc Link	71
3	0803-W36	A	W36/25 Chain Link	70
4	0803-R300	A	R300 Chain Link	93
5	0803-PCH	A	Prickle Chain Link	129



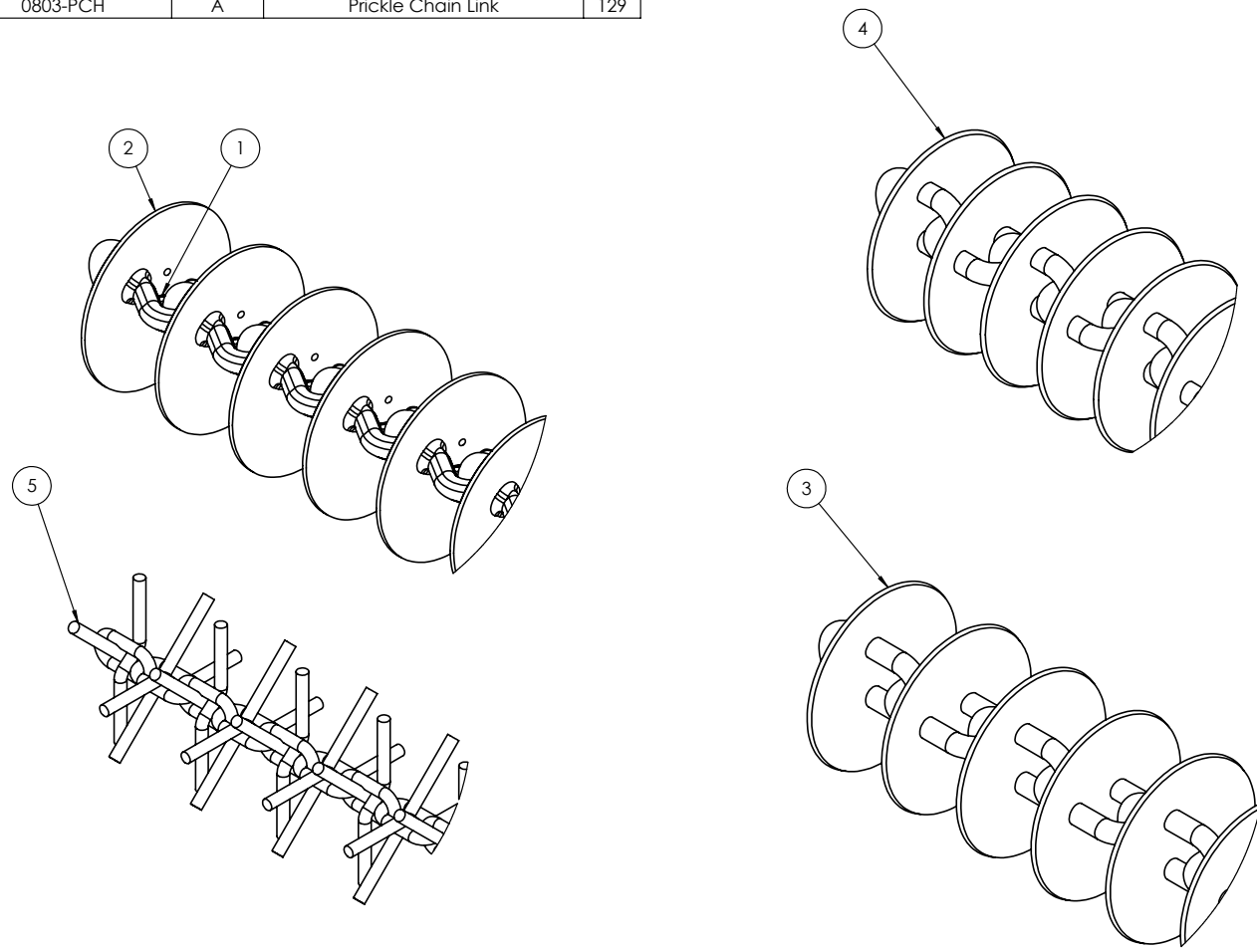
Part Number
0803-60CT-FL&R

Description
60CT Front Chain

For Machines Built:

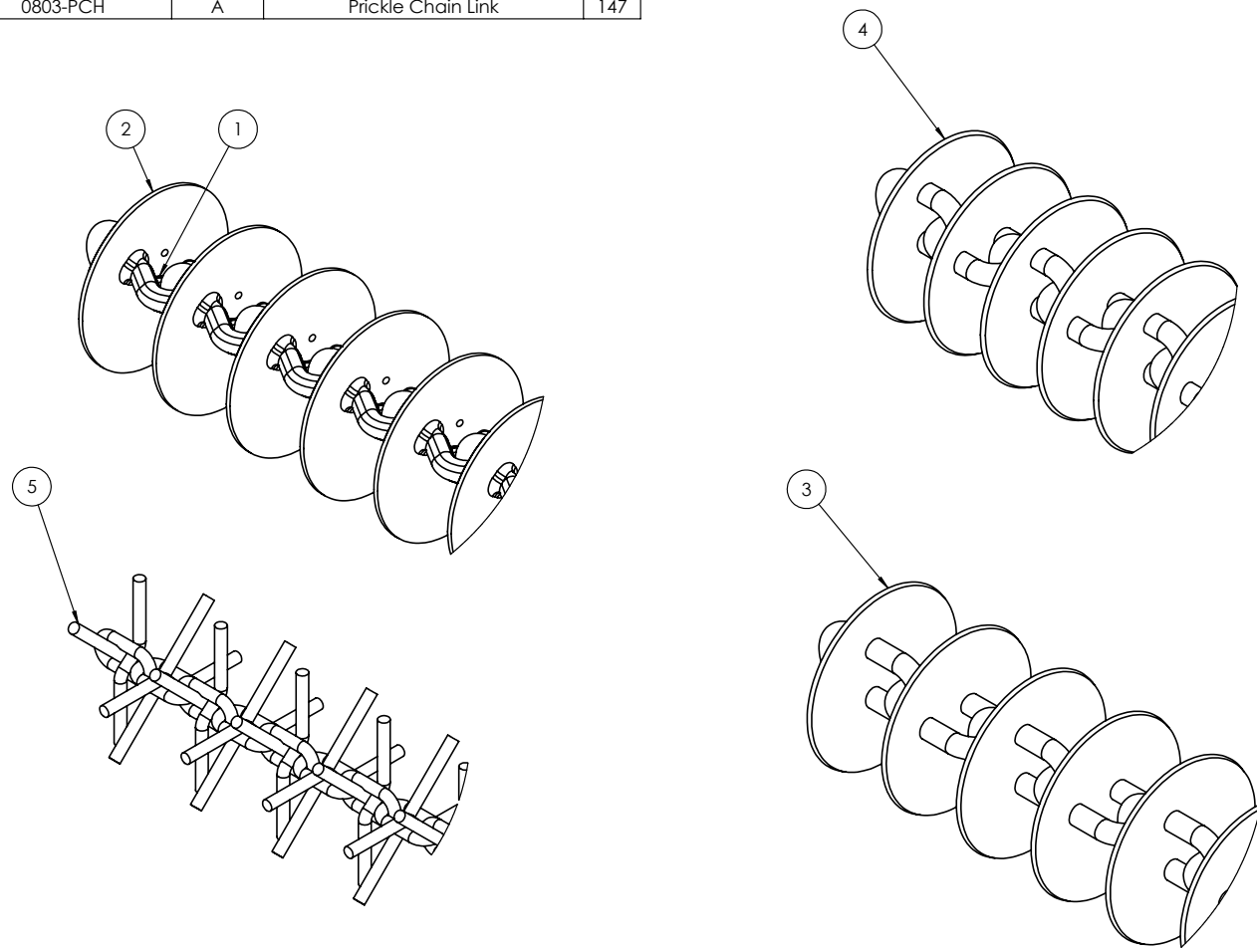
Revision

ITEM NO.	PART NUMBER	Revision	DESCRIPTION	QTY.
1	0262-3-8X3	A	Roll Pin Zinc Plated 3/8" x 3"	71
2	0803-CL1	C	CL1-B Chain Disc Link	71
3	0803-W36	A	W36/25 Chain Link	70
4	0803-R300	A	R300 Chain Link	93
5	0803-PCH	A	Prickle Chain Link	129



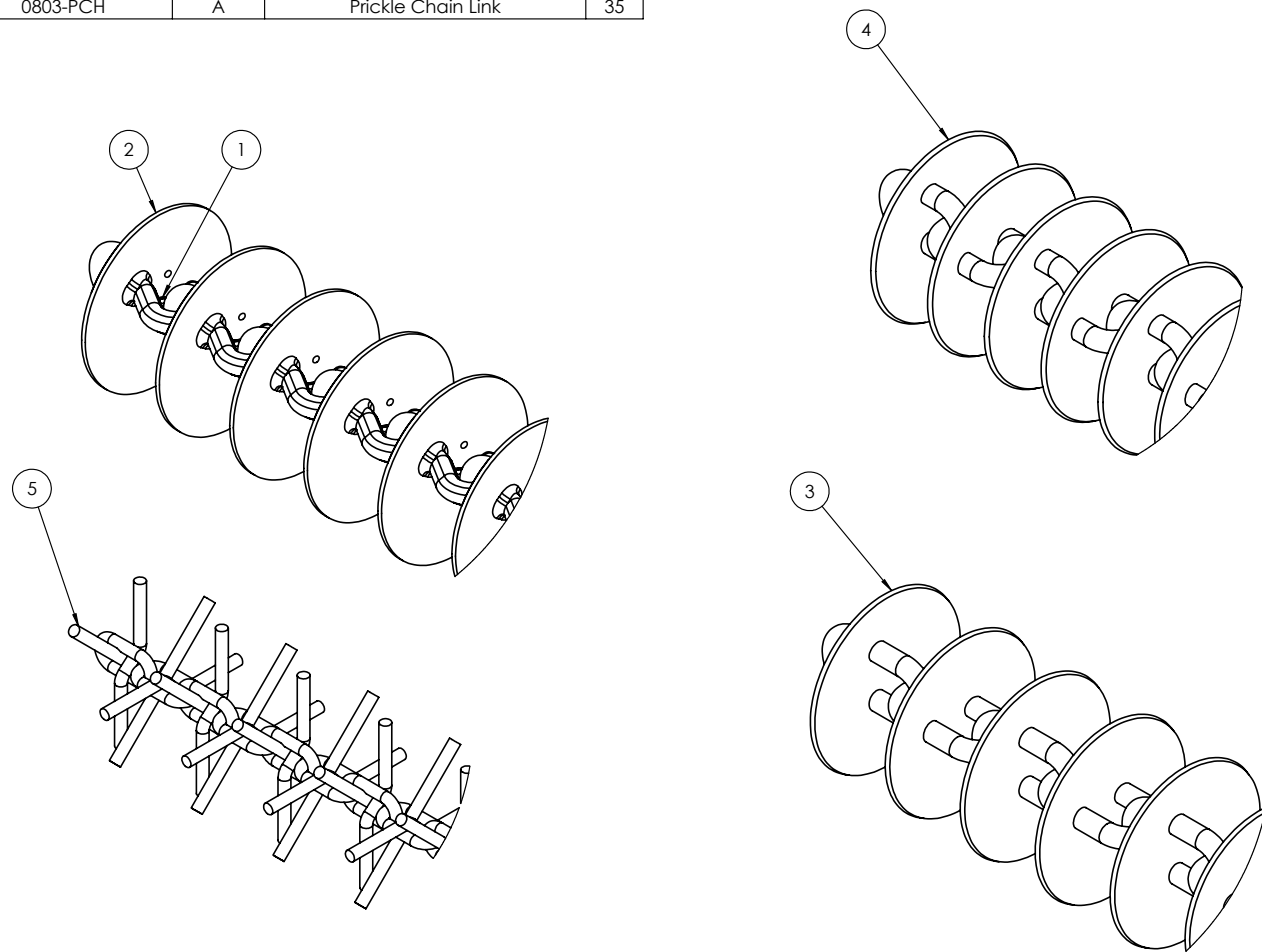
<small>Part Number</small> 0803-60CT-LHR	<small>Description</small> 60CT Left Hand Rear Chain	<small>For Machines Built:</small>	<small>Revision</small>
--	--	------------------------------------	-------------------------

ITEM NO.	PART NUMBER	Revision	DESCRIPTION	QTY.
1	0262-3-8X3	A	Roll Pin Zinc Plated 3/8" x 3"	81
2	0803-CL1	C	CL1-B Chain Disc Link	81
3	0803-W36	A	W36/25 Chain Link	80
4	0803-R300	A	R300 Chain Link	106
5	0803-PCH	A	Prickle Chain Link	147



<small>Part Number</small> 0803-60CT-RHR	<small>Description</small> 60CT Right Hand Rear Chain	<small>For Machines Built:</small>	<small>Revision</small>
--	--	------------------------------------	-------------------------

ITEM NO.	PART NUMBER	Revision	DESCRIPTION	QTY.
1	0262-3-8X3	A	Roll Pin Zinc Plated 3/8" x 3"	19
2	0803-CL1	C	CL1-B Chain Disc Link	19
3	0803-W36	A	W36/25 Chain Link	18
4	0803-R300	A	R300 Chain Link	25
5	0803-PCH	A	Prickle Chain Link	35



Part Number
0803-60CT-MOD

Description
60CT Module Chain

For Machines Built:

Revision

