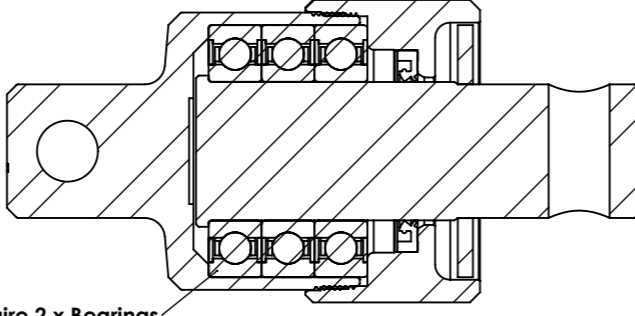


Note: 0802-PCHB45 & 0802-PCHB55 only require 2 x Bearings



Section View



Better Tillage. Better Tomorrow.

For Machines Built: 65'(112043-65)-			
NAME	SIGNATURE	DATE	MATERIAL:
DRAWN G Laskey		04/11/09	
CHK'D MJK		20/11/2023	
APPV'D admin		23/10/2024	WEIGHT: 8.404 Kg



DO NOT SCALE DRAWING REVISION B

Tolerance (UNO)
.xx ± 0.1mm
.x ± 0.2mm
x ± 0.5mm
xx ± 1.0mm
xxx ± 2.0mm
xxxx ± 3.0mm
.x° ± 0.1°
x° ± 0.5°

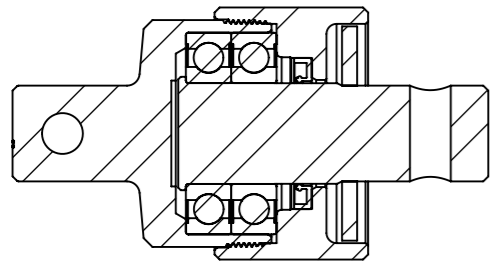
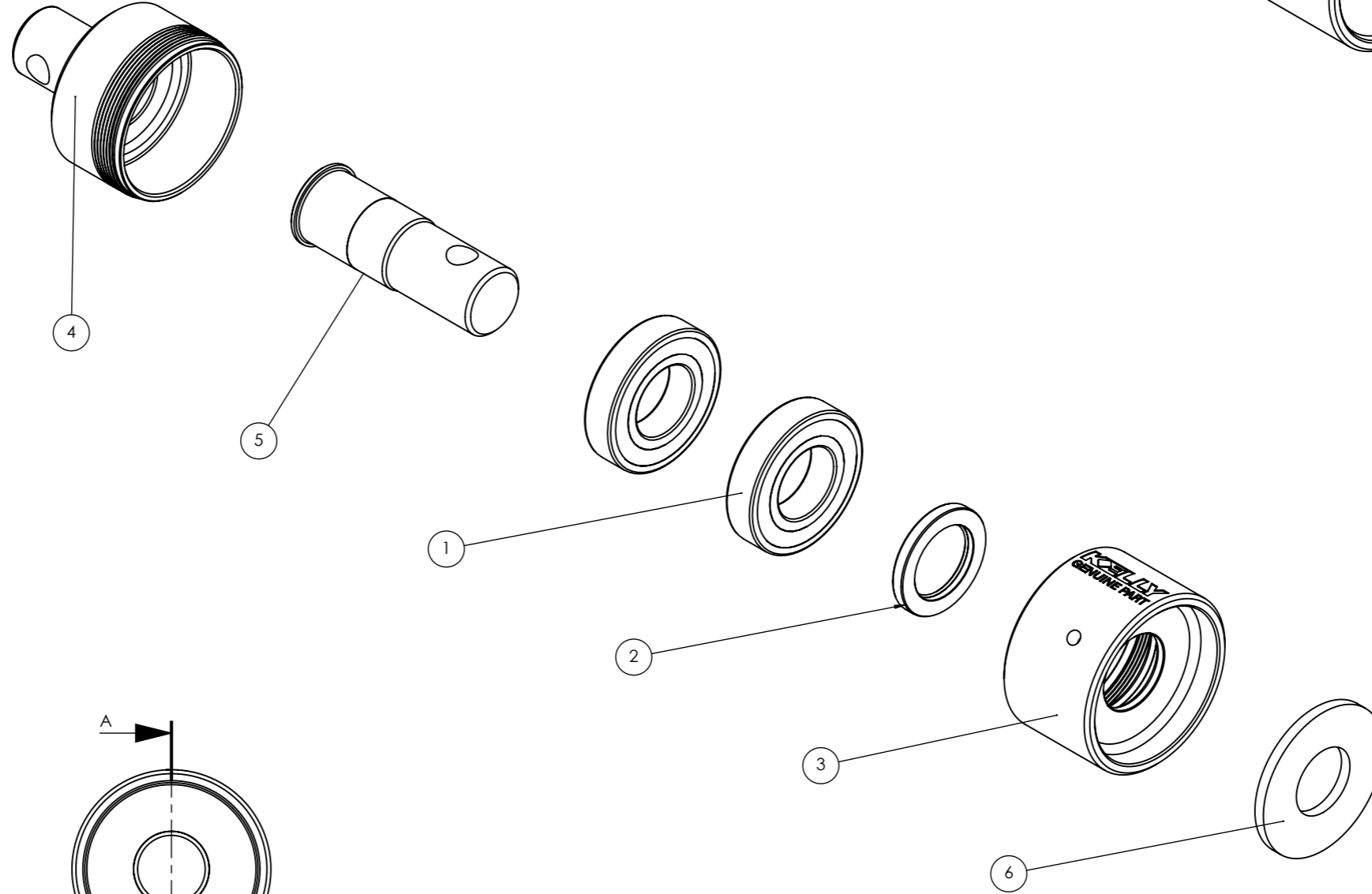
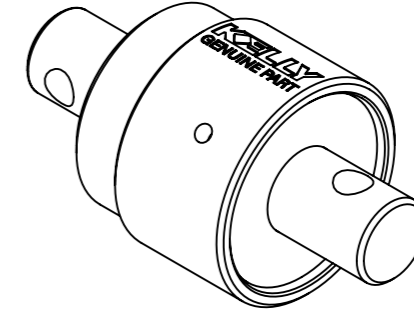
TITLE:  
**24mm Bolt Swivel Unit**

Rev	Date	Revision Description
	4/10/2024	Assembly updated

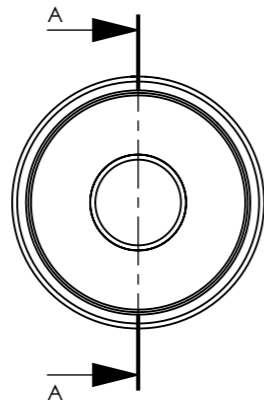
DWG NO. **2900-00009** A3  
SCALE:1:6 SHEET 1 OF 1

ITEM NO.	PART NUMBER	DESCRIPTION	QTY.
<b>1</b>	<b>0112-6208</b>	<b>NTN 6208LLU Deep Groove Ball Bearings</b>	<b>2</b>
<b>2</b>	<b>0121-TC12555</b>	<b>TC12555 Seal 40mm x 60mm x 7mm</b>	<b>1</b>
3	0801-PCHB45C	Cap To Suit PCHB45 Swivel	1
4	0801-PCHB45H	Housing to Suit PCHB45 Swivel	1
<b>5</b>	<b>0801-PCHB45S</b>	<b>Shaft To Suit PCHB45 Swivel</b>	<b>1</b>
6	0801-PCHB45WA	Washer To Suit PCHB45 Swivel	1

Only **BOLD** items available as spare parts using repair kit part number **0801-PCHB45-K**



SECTION A-A



**BOM DETAILS**

Rev	Date	Revision Description
A	4/10/2024	DRW CREATED TO MATCH CUR. REV.



Better Tillage. Better Tomorrow.

For Machines Built:			
NAME	SIGNATURE	DATE	MATERIAL:
DRAWN: NBN		13/09/2024	
CHK'D: NK		01/10/2024	
APPV'D: MJK		4/10/2024	WEIGHT: 4.462 Kg



DO NOT SCALE DRAWING

REVISION

**A**

Tolerance (UNO)
.xx ± 0.1mm
.x ± 0.2mm
x ± 0.5mm
xx ± 1.0mm
xxx ± 2.0mm
xxxx ± 3.0mm
.x° ± 0.1°
x° ± 0.5°

TITLE:

16mm Bolt Swivel Unit

DWG NO.

**0802-PCHB45**

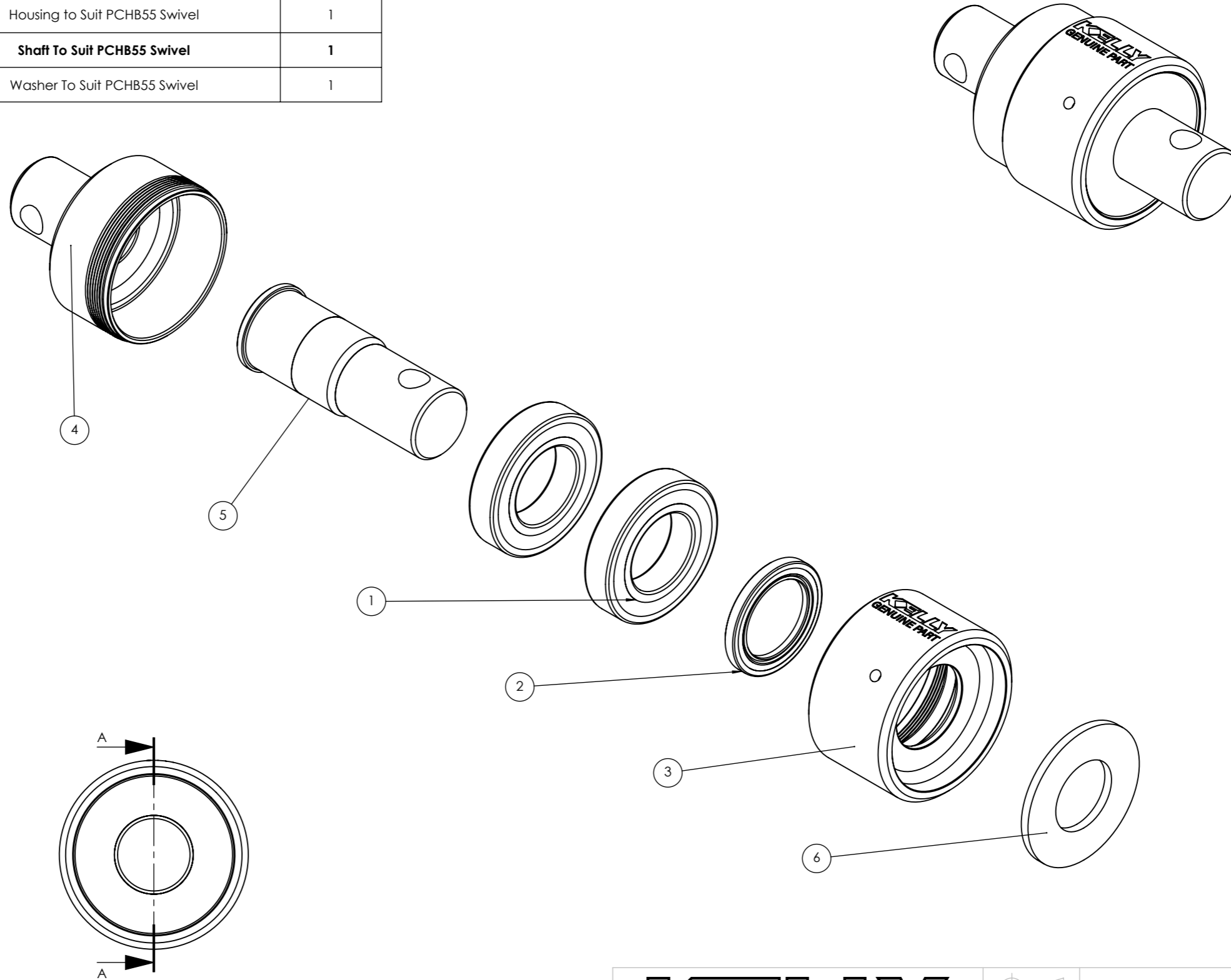
A3

SCALE:1:3

SHEET 1 OF 4

ITEM NO.	PART NUMBER	DESCRIPTION	QTY.
<b>1</b>	<b>0112-6211</b>	<b>Bearing 6211 2RSR</b>	<b>2</b>
<b>2</b>	<b>0121-TC12616</b>	<b>TC12616 Seal 55mm x 80mm x 8mm</b>	<b>1</b>
3	0801-PCHB55C	Cap To Suit PCHB55 Swivel	1
4	0801-PCHB55H	Housing to Suit PCHB55 Swivel	1
<b>5</b>	<b>0801-PCHB55S</b>	<b>Shaft To Suit PCHB55 Swivel</b>	<b>1</b>
6	0801-PCHB55WA	Washer To Suit PCHB55 Swivel	1

Only **BOLD** items available as spare parts using repair kit part number **0801-PCHB55-K**



SECTION A-A

**BOM DETAILS**

Rev	Date	Revision Description
A	29/10/2013	For Parts Books
A-1	6/05/2018	Create accurate fabrication drawings
B	4/10/2024	New Fabrication Update

**KELLY**

Better Tillage. Better Tomorrow.

For Machines Built: 2002-

	NAME	SIGNATURE	DATE	MATERIAL:
DRAWN	NBN		28/08/2024	
CHK'D	NK		30/09/2024	
APPV'D	MJK		4/10/2024	WEIGHT: 7.512 Kg



DO NOT SCALE DRAWING

REVISION

**B**

**Tolerance (UNO)**

.xx	± 0.1mm
.x	± 0.2mm
x	± 0.5mm
xx	± 1.0mm
xxx	± 2.0mm
xxxx	± 3.0mm
.x°	± 0.1°
x°	± 0.5°

TITLE:

20mm Bolt Swivel Unit

DWG NO.

**0802-PCHB55**

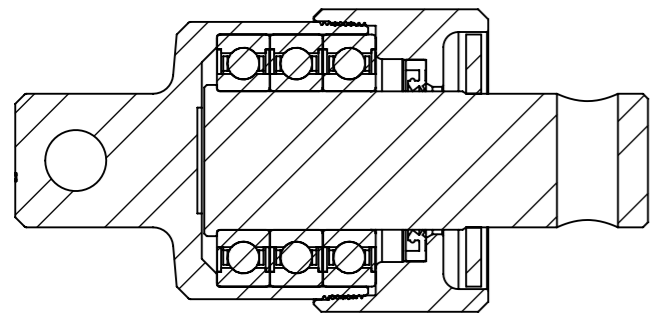
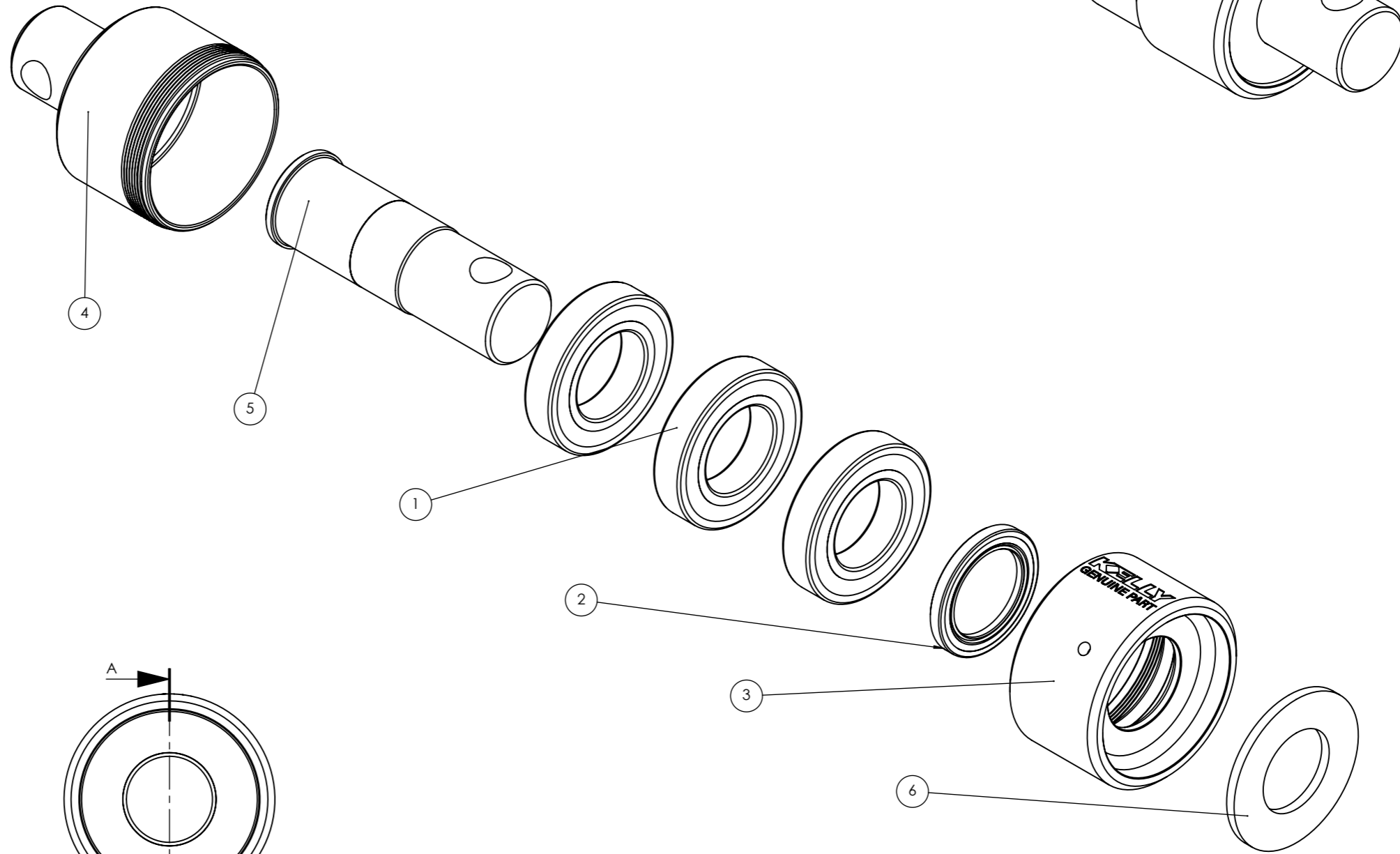
**A3**

SCALE:1:3

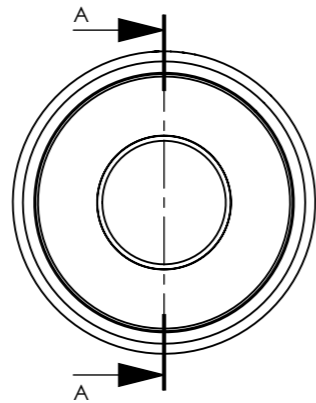
SHEET 1 OF 4

ITEM NO.	PART NUMBER	DESCRIPTION	QTY.
<b>1</b>	<b>0112-6211</b>	<b>Bearing 6211 2RSR</b>	<b>3</b>
<b>2</b>	<b>0121-TC12616</b>	<b>TC12616 Seal 55mm x 80mm x 8mm</b>	<b>1</b>
3	0801-PCHB55C	Cap To Suit PCHB55 Swivel	1
4	0801-PCHB553H	Housing to Suit PCHB553 Swivel	1
<b>5</b>	<b>0801-PCHB553S</b>	<b>Shaft To Suit PCHB553 Swivel</b>	<b>1</b>
6	0801-PCHB553WA	Washer To Suit PCHB553 Swivel	1

Only **BOLD** items available as spare parts using repair kit part number **0801-PCHB553-K**



SECTION A-A



### BOM DETAILS

Rev	Date	Revision Description
A-0	29/10/2013	For Parts Book
B	4/10/2024	Assembly updated

# KELLY

Better Tillage. Better Tomorrow.

For Machines Built: 65'(112043-65)-

	NAME	SIGNATURE	DATE	MATERIAL:
DRAWN	NBN		30/08/2024	
CHK'D	NK		01/10/2024	
APPV'D	MJK		4/10/2024	WEIGHT: 8.404 Kg



DO NOT SCALE DRAWING

REVISION

**B**

**Tolerance (UNO)**

- .xx ± 0.1mm
- .x ± 0.2mm
- x ± 0.5mm
- xx ± 1.0mm
- xxx ± 2.0mm
- xxxx ± 3.0mm
- .x\* ± 0.1°
- x\* ± 0.5°

TITLE:

24mm Bolt Swivel Unit

DWG NO.

**0802-PCHB553**

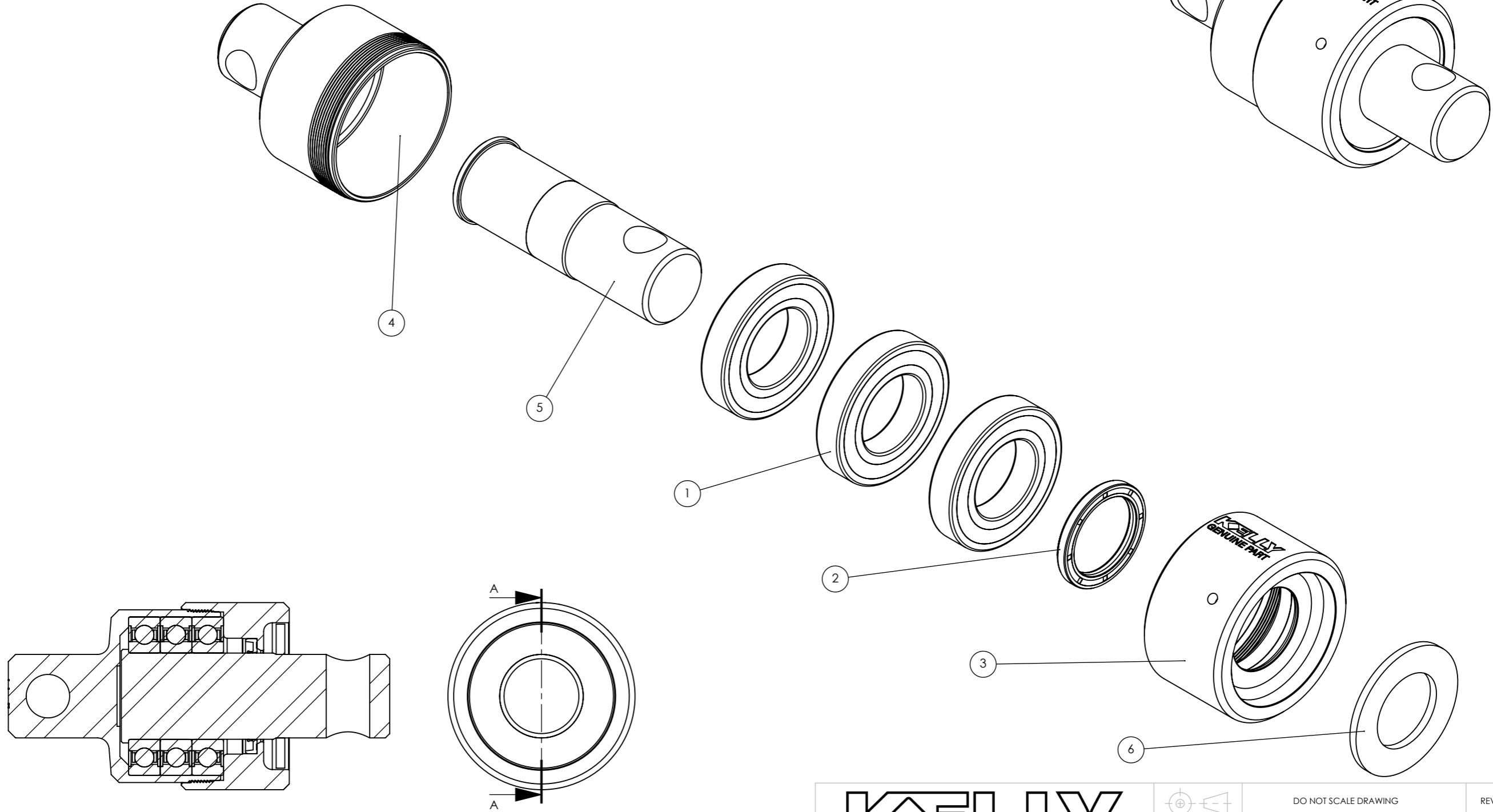
A3

SCALE:1:3

SHEET 1 OF 4

ITEM NO.	PART NUMBER	DESCRIPTION	QTY.
<b>1</b>	<b>0112-6212-2RSR</b>	<b>6212-2RSR Deep groove ball bearing</b>	<b>3</b>
<b>2</b>	<b>0121-TC12628</b>	<b>TC Oil Seal 60X80X8mm</b>	<b>1</b>
3	0801-PCHB603C	Cap To Suit PCHB603 Swivel	1
4	0801-PCHB603H	PCHB603 Outer Housing	1
<b>5</b>	<b>0801-PCHB603S</b>	<b>PCHB603 Shaft</b>	<b>1</b>
6	0801-PCHB603WA	PCHB603 Washer	1

Only **BOLD** items available as spare parts using repair kit part number **0801-PCHB603-K**



SECTION A-A

**BOM DETAILS**

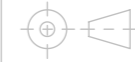
Rev	Date	Revision Description
A-0	22/04/2015	For Parts Book
B	4/10/2024	DIMENSIONS AND NOTES UPDATED

**KELLY**

Better Tillage. Better Tomorrow.

For Machines Built: 80' 2012-

NAME	SIGNATURE	DATE	MATERIAL:
DRAWN: NBN		18/09/2024	
CHK'D: NK		01/10/2024	
APPV'D: MJK		4/10/2024	WEIGHT: 10.178



DO NOT SCALE DRAWING

REVISION

**B**

Tolerance (UNO)

- .xx ± 0.1mm
- .x ± 0.2mm
- x ± 0.5mm
- xx ± 1.0mm
- xxx ± 2.0mm
- xxxx ± 3.0mm
- .x\* ± 0.1°
- x\* ± 0.5°

TITLE:

30mm Bolt Swivel Unit

DWG NO.

**0802-PCHB603**

A3

SCALE:1:3

SHEET 1 OF 4