

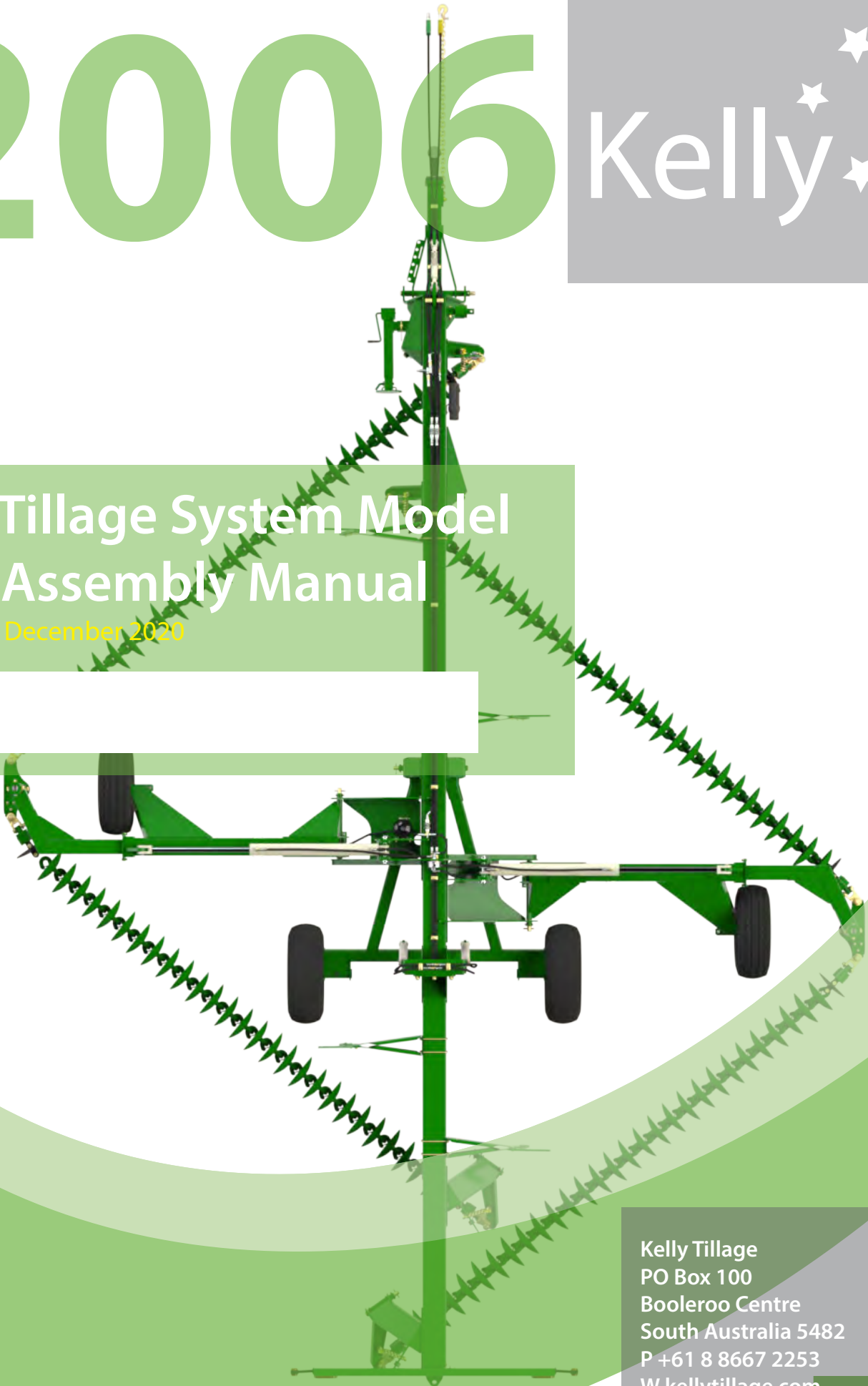
# 2006

Kelly 

## Kelly Tillage System Model 2006 Assembly Manual

Revision C - December 2020

Serial Number:



Kelly Tillage  
PO Box 100  
Booloroo Centre  
South Australia 5482  
P +61 8 8667 2253  
W [kellytillage.com](http://kellytillage.com)

# Thank you for choosing a Kelly Tillage product

We trust that you find the following manual clear and easy to follow. If you should require additional customer support or assistance, please do not hesitate to contact us.

Spare parts can be purchased, as required, through your local dealer or by contacting Kelly Tillage directly.

Kelly welcomes feedback. Should you have any difficulties that you wish to raise, suggestions for improvement or modifications that you feel would enhance our products we look forward to hearing from you.

## **Kelly Tillage**

**PO Box 100**

**Booleroo Centre SA 5482**

**Phone:** + 61 8 8667 2253

**Email:** [sales@kellytillage.com](mailto:sales@kellytillage.com)

**Spare Parts:** [parts@kellytillage.com](mailto:parts@kellytillage.com)

**Website:** [www.kellytillage.com](http://www.kellytillage.com)

## **Spare Parts**

**Hood & Company Inc**

**Springfield MO**

**Phone:** 417 865 2100

**Fax:** 417 865 2105

**Email:** [hoodco@hoodco.com](mailto:hoodco@hoodco.com)

# Contents

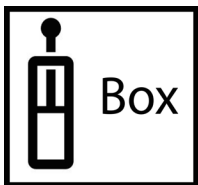
	Page Number
Section 1: Unpacking	4
Section 2: Assembly	7
Section 3: Hydraulics	5
Section 4: Diagrams & Specifications	95



This symbol indicates which bag the relevant fasteners are in



This symbol indicates which bag the relevant hydraulics are in



This symbol indicates the hydraulics are in a box



This symbol indicates which way the machine is travelling

# Section 1

## Unpacking

# Unpacking

*We recommend the use of suitable lifting equipment with a lifting capacity of at least 4 tones.*



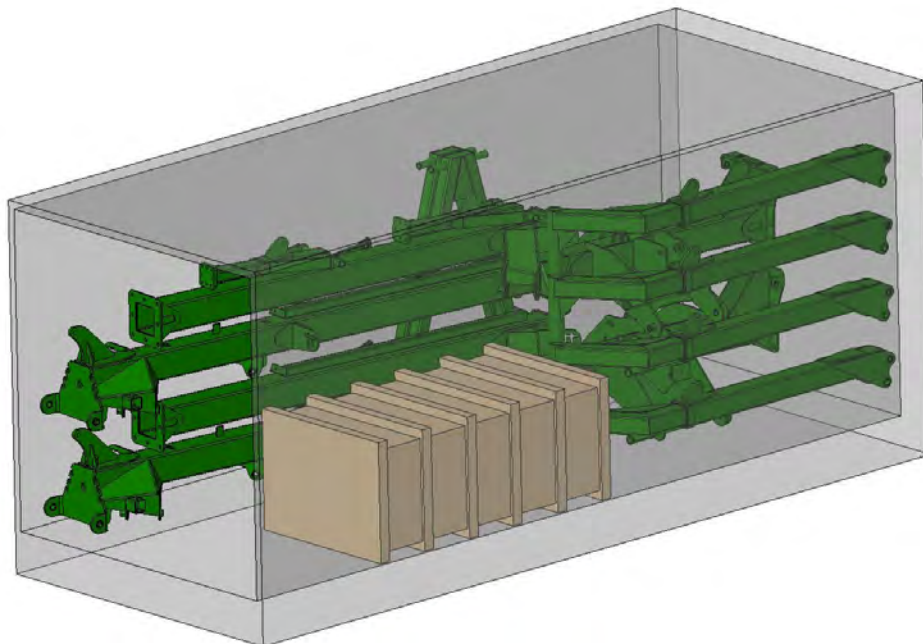
- Before unloading any loads please inspect exterior for damage

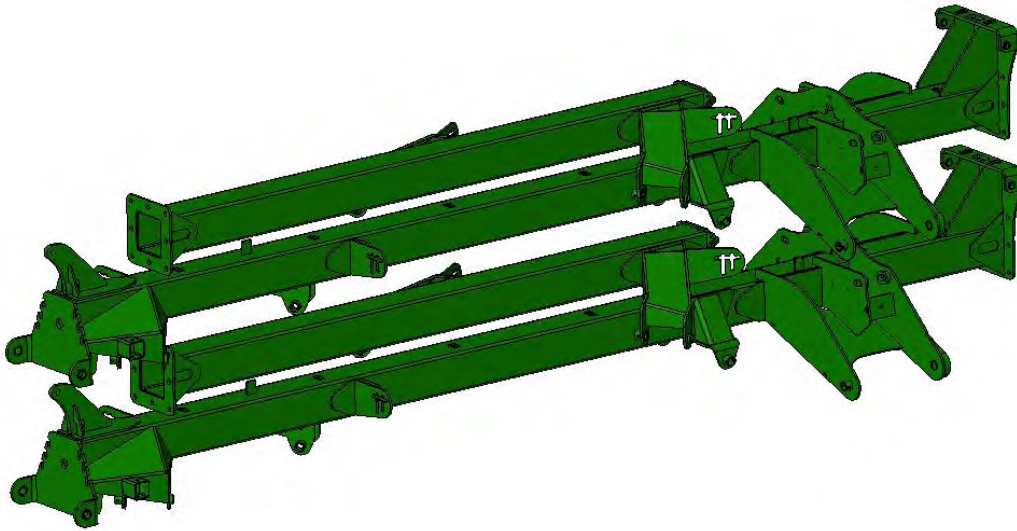


## CAUTION

**Take care when opening doors as load may have shifted or restraints may have broken.**

- Remove boxes from doorway of container one at a time using a forklift truck. Each box weighs approximately 5512 lbs (2500kg)
- Check strapping on each bundle before attempting to remove
- Attach chains to the packing frame using shackles and using suitable equipment (eg. fork-lift or tractor) drag framework bundles out of container. To move bundles away from front of container lift from side with forklift. Do not lift under angle iron frame, lift only under centre frame. Each bundle weighs approximately 7000 lb (3200 kg).





### **CAUTION**

Before cutting straps attach slings or chains and take the weight of the frames to avoid them slipping or falling and causing injury.



### **CAUTION**

Wear eye and hand protection when cutting straps. Sharp edges are exposed as straps separate and may cause injury.



### **CAUTION**

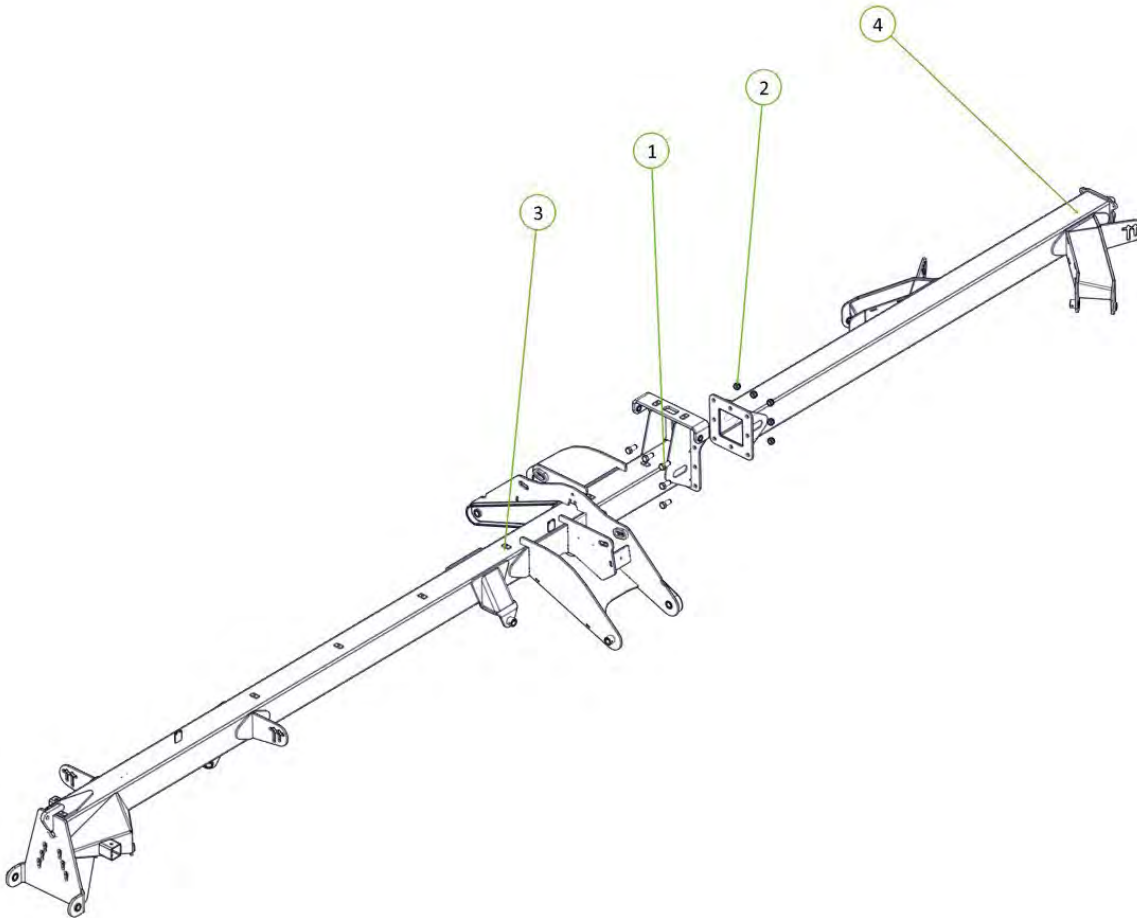
To avoid falling or moving components, before cutting straps attach slings or chains to individual pieces and only cut the straps holding the piece to be lifted.

- Remove boxes from rear of container one at a time using a forklift truck. Each box weighs approximately 5512 lbs (2500 kg)
- Cut straps holding bundles and separate parts and place in assembly area
- Once all parts have been identified, the machine is ready for assembly
- Identify parts for each machine by serial no. or description and separate. Open parts box and check that all parts are accounted for against checklist
- Read assembly instructions before proceeding.

# Section 2

Assembly

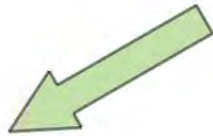
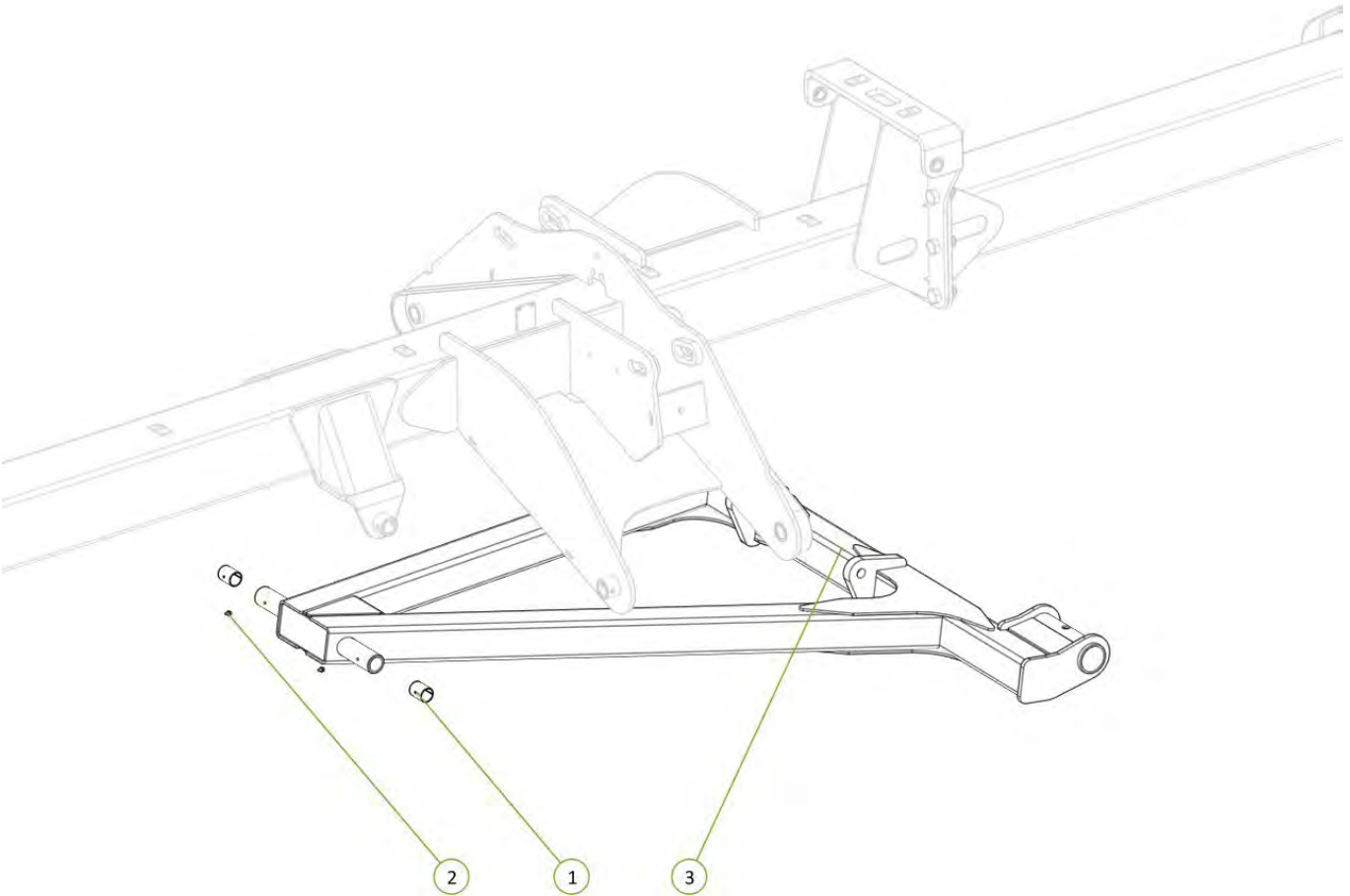
Item No.	Description	Qty	Number
1	M24 x 55 Grade 8.8 ZP Bolt	8	0211-2455
2	Nyloc Nut M24	8	0221-NYL24
3	6m Centre Section Frame	1	1520-01
4	6m Rear Section Frame	1	1520-03



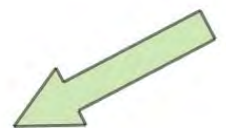
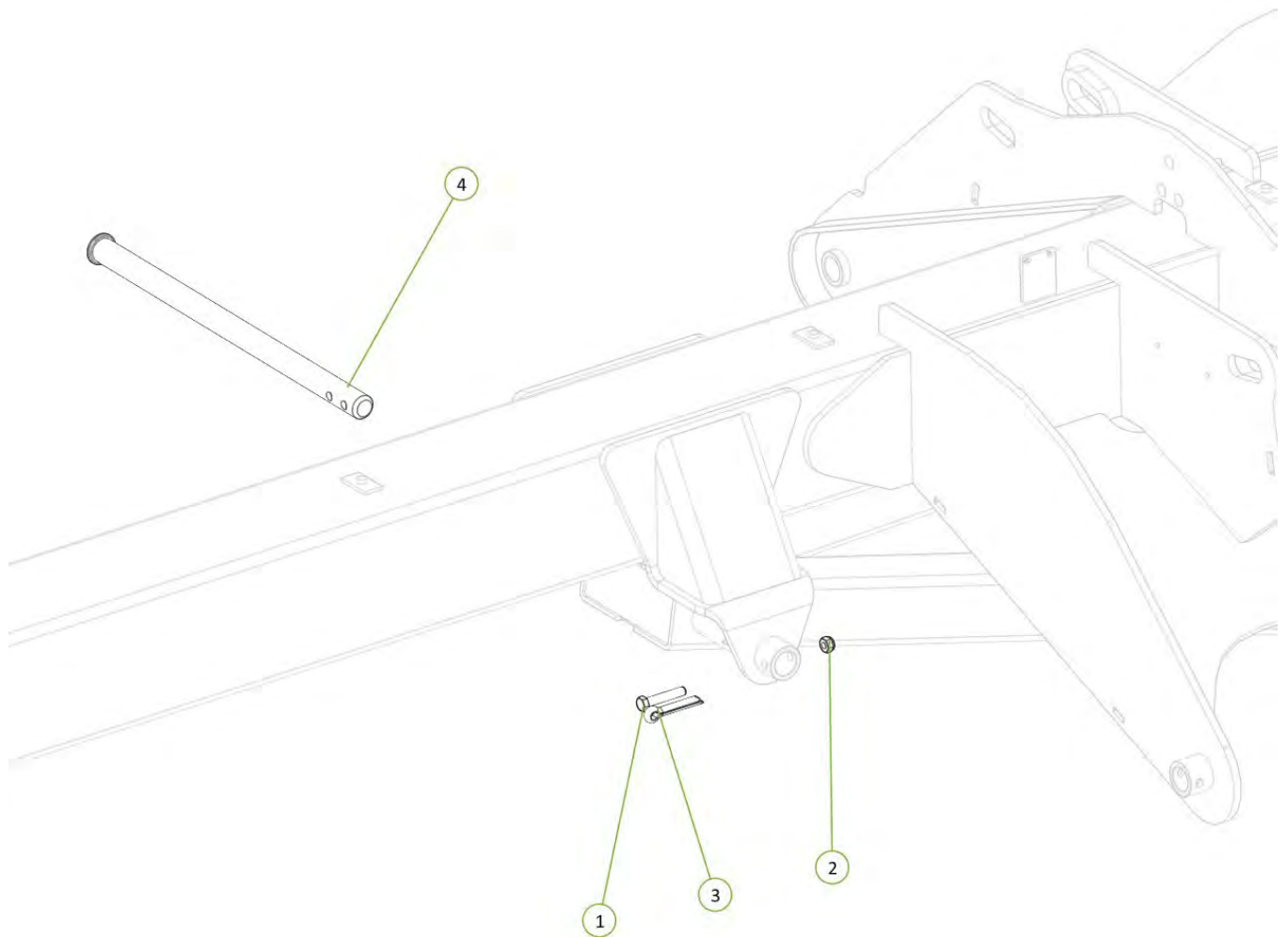


Item No.	Description	Qty	Number
1	MB ID 35mm x 50mm DX Bush	2	0113-MB 3550DX
2	Grease Nipple 1/8" BSP	2	0181-GN1-8
3	6m Wheel Arm Frame	1	1520-10

Please note the pivot bushes are pre-inserted before delivery



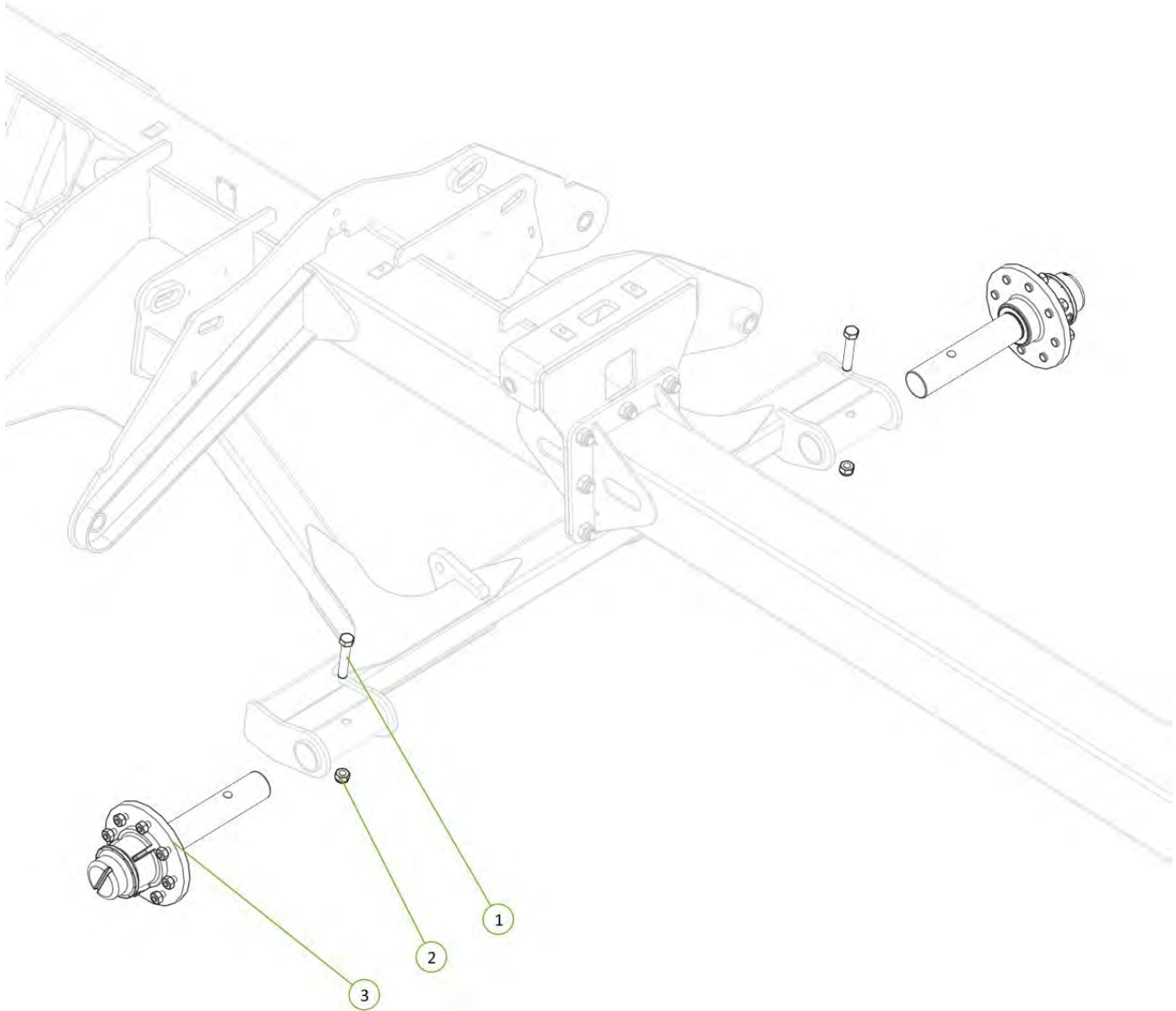
Item No.	Description	Qty	Number
1	M12 x 65 grade 8.8 ZP Bolt	1	0211-1265
2	Nyloc Nut M12	1	0221-NYL12
3	COTTER PIN M13 X 63mm	1	0261-PINC1363
4	Long Pivot Pin	1	1501-35615



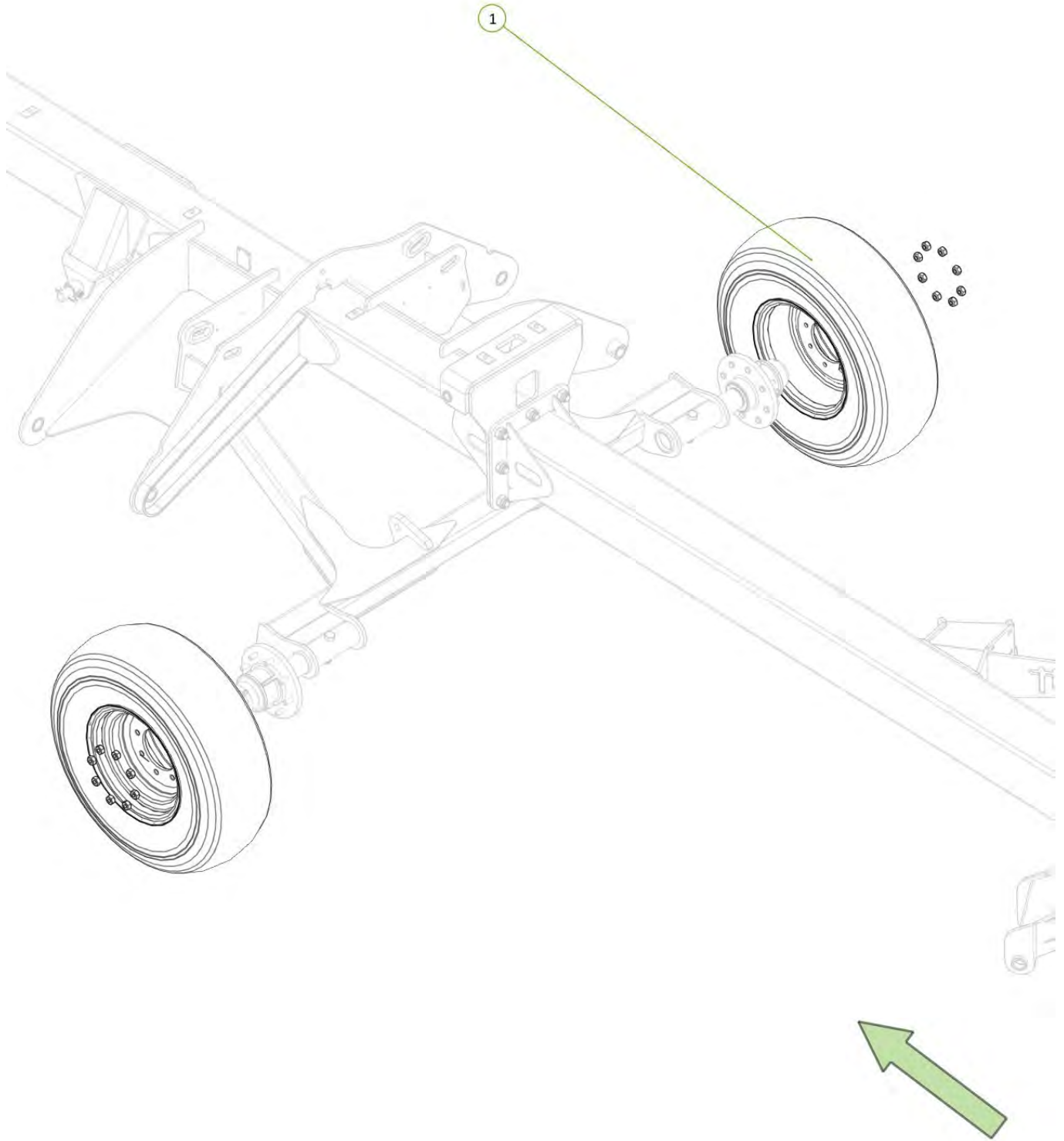
Item No.	Description	Qty	Number
1	M20 x 110 grade 8.8 ZP Bolt	2	0211-20110
2	Nyloc Nut M20	2	0221-NYL20
3	2.75"R C/W 6 tonne 8 on 8" PCD Complete Assembly	2	0733-SH27596880



Please note this view is for Australian/USA models, European models require a braked axle

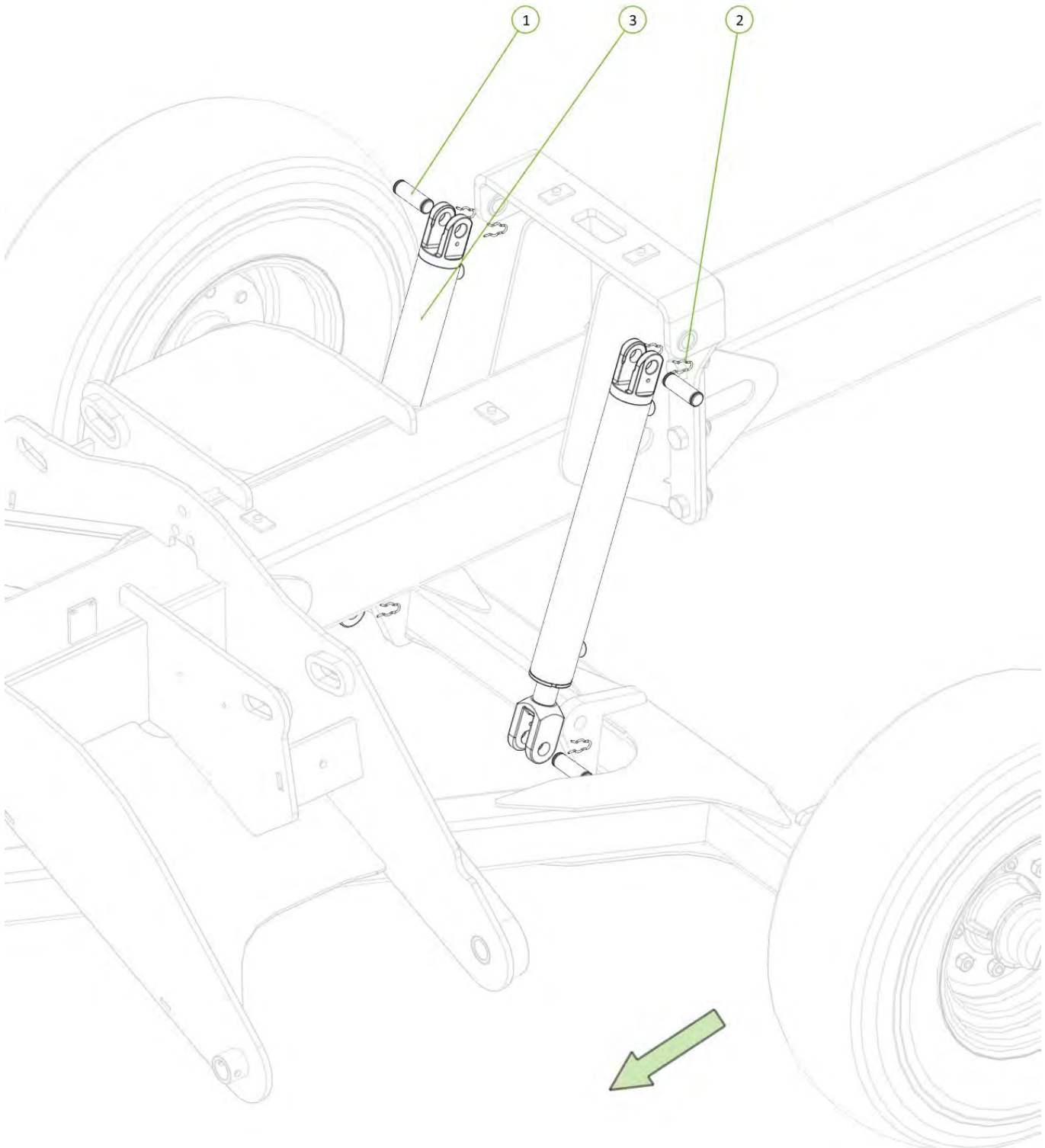


Item No.	Description	Qty	Number
1	11.5/80-15.3 tyre, 9" rim 0 offset, 8 on 8" studs, 162 cntr	2	0711-11.5-80-15.3



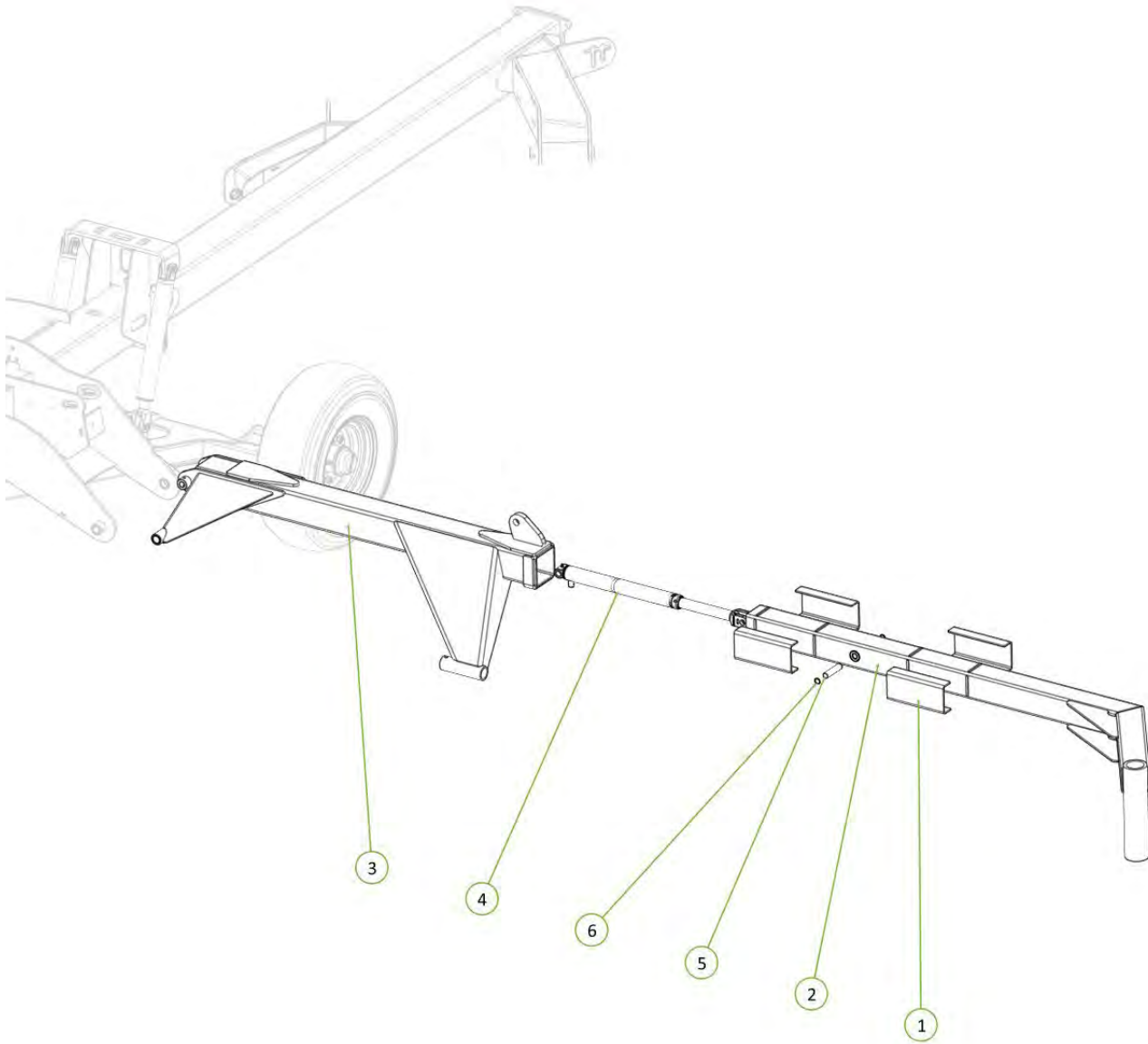
Item No.	Description	Qty	Number
1	Nordon 1" x 80mm Cylinder Pin	4	0313-N1
2	Nordon 1" Cylinder Pin Clip	8	0313-N1C
3	2.5" Bore x 16" Stroke Hydraulic Cylinder	2	0311-2516

Please ensure cylinders are installed with ports facing rear of machine

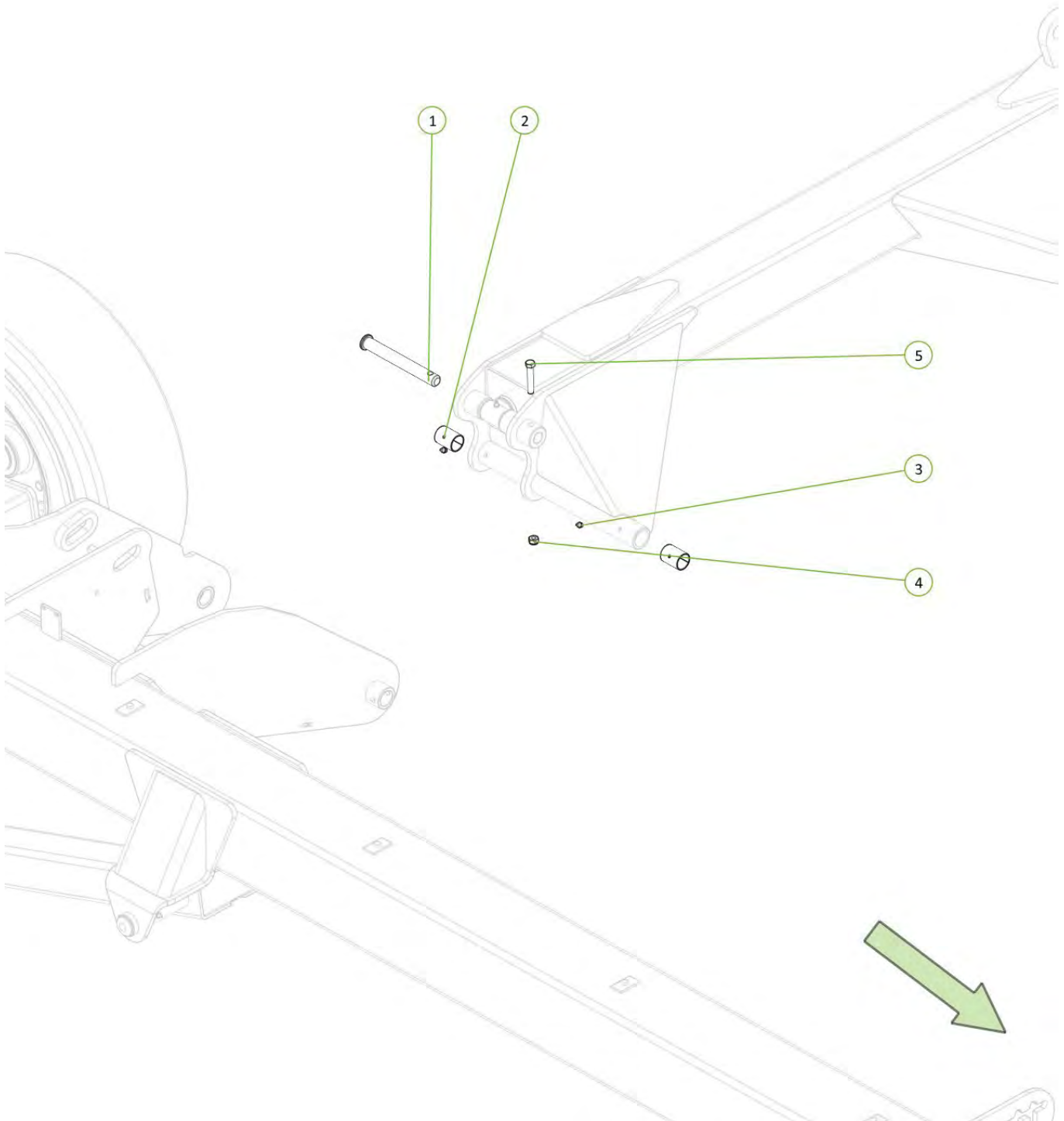


Item No.	Description	Qty	Number
1	Slide Guide Pad	4	1501-SGP2
2	6m Outer Wing Frame	1	1520-06
3	6m Inner Wing Frame	1	1520-04
4	2" Bore x 20" Stroke 1.75" Rod Single Acting Displacement Cylinder	1	0311-220SADC
5	Wing Tension Pin 2	1	1501-25118
6	CIRCLIP Internal 26mm	2	0171-26

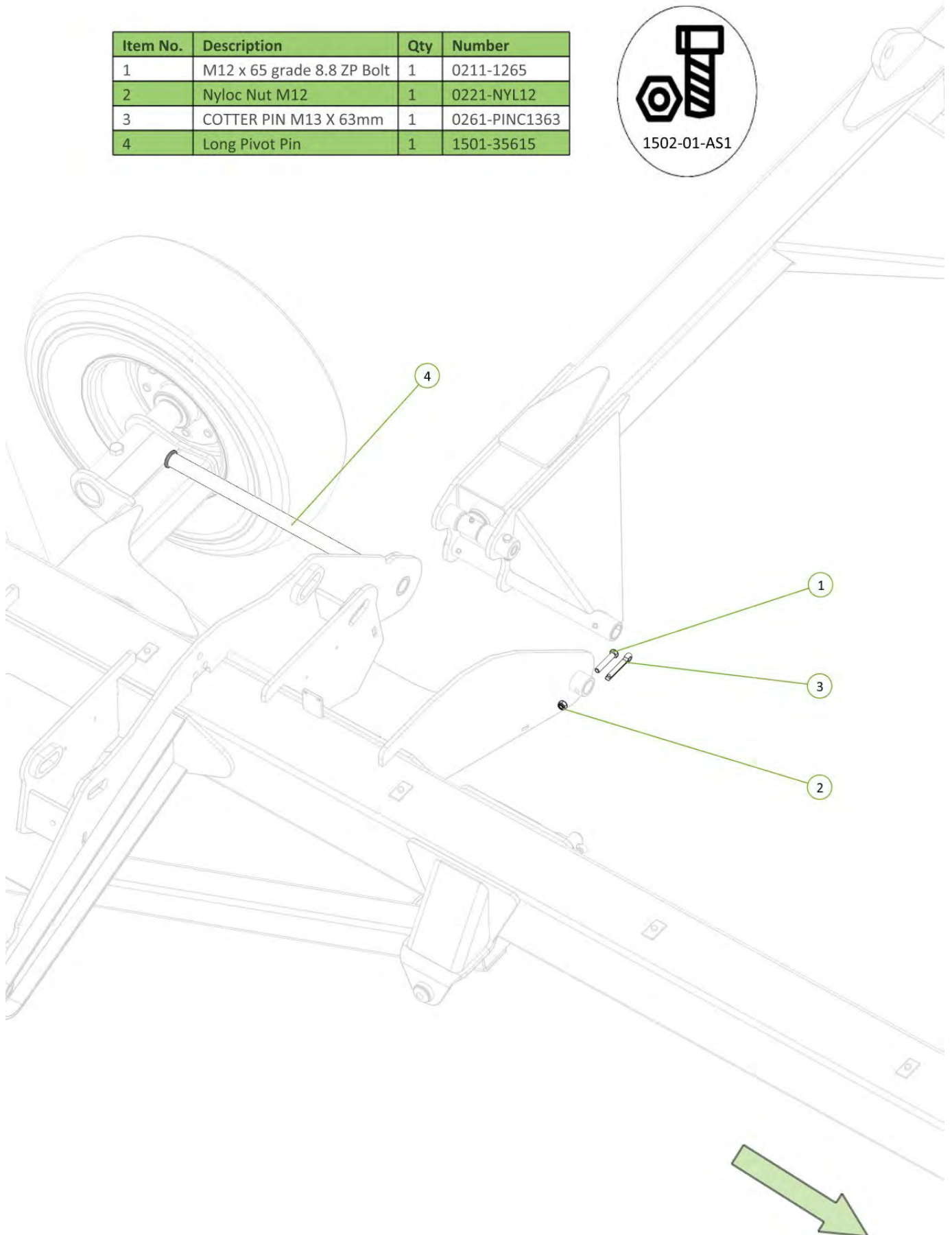
Please note that the Outer Wing is pre-installed in the Inner Wing before delivery



Item No.	Description	Qty	Number
1	Wing Tension Pin	1	1501-25214
2	MB ID 35mm x 50mm DX Bush	2	0113-MB 3550DX
3	Grease Nipple 1/8" BSP	2	0181-GN1-8
4	Nyloc Nut M12	1	0221-NYL12
5	M12 x 70 grade 8.8 ZP Bolt	1	0211-1270

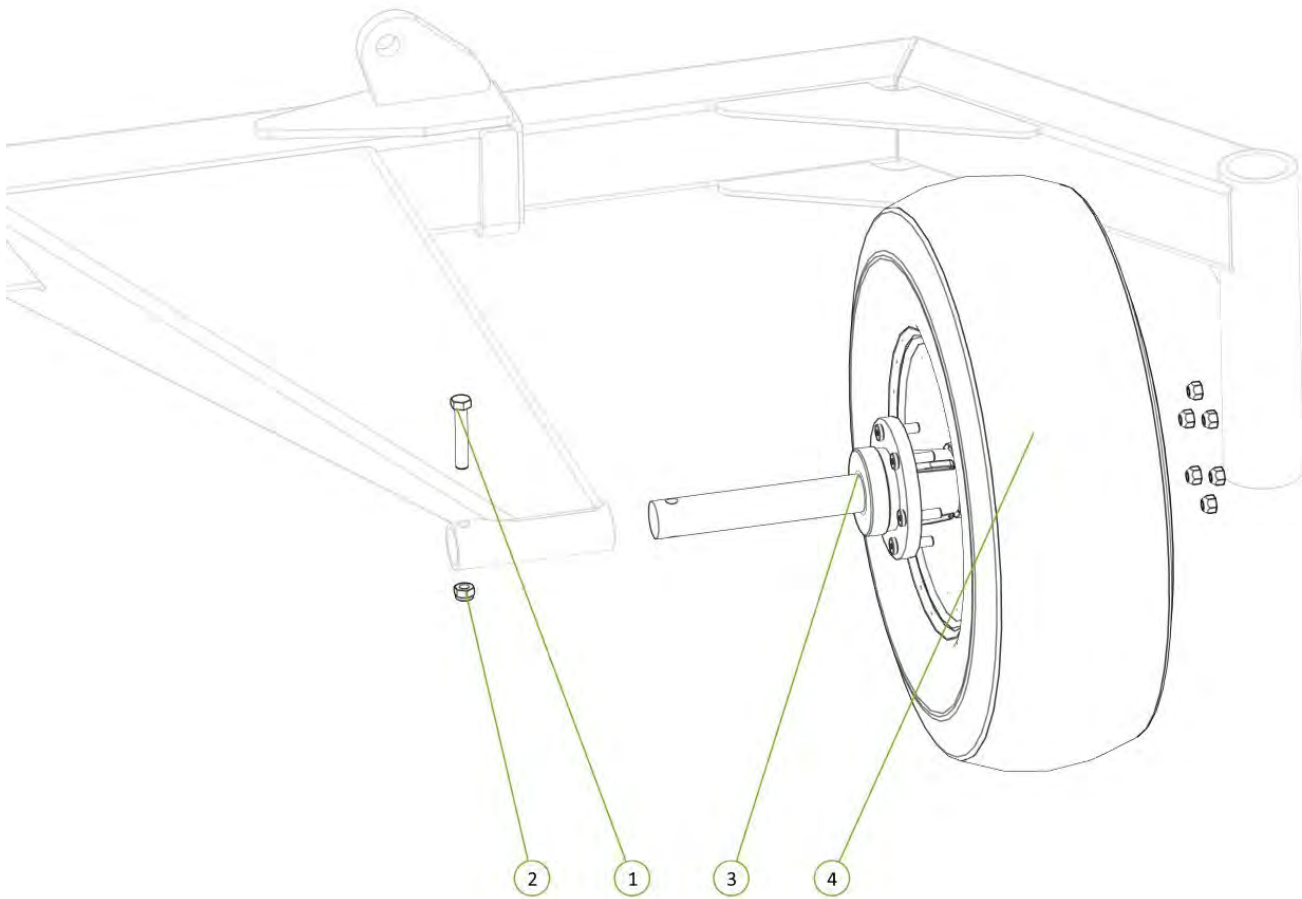


Item No.	Description	Qty	Number
1	M12 x 65 grade 8.8 ZP Bolt	1	0211-1265
2	Nyloc Nut M12	1	0221-NYL12
3	COTTER PIN M13 X 63mm	1	0261-PINC1363
4	Long Pivot Pin	1	1501-35615

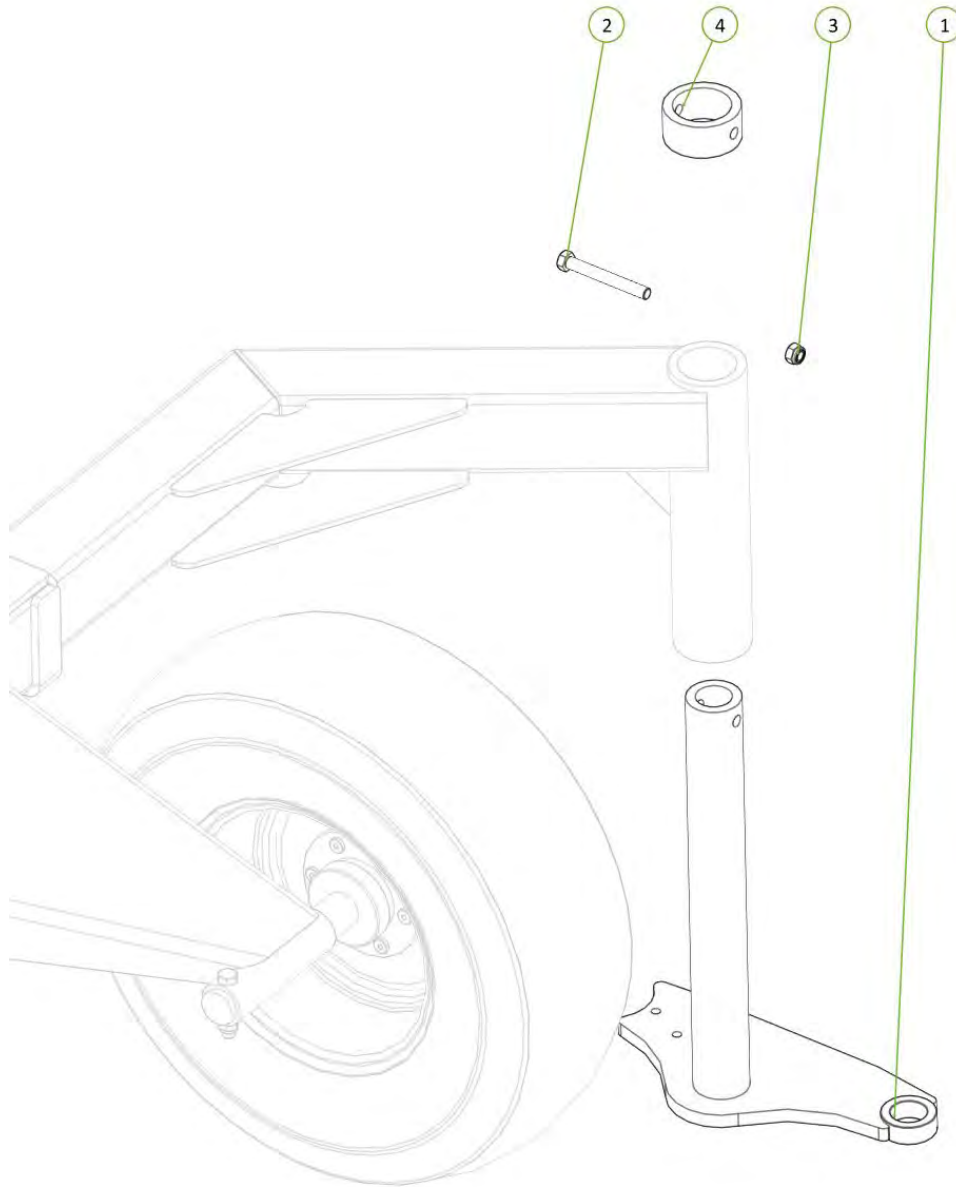




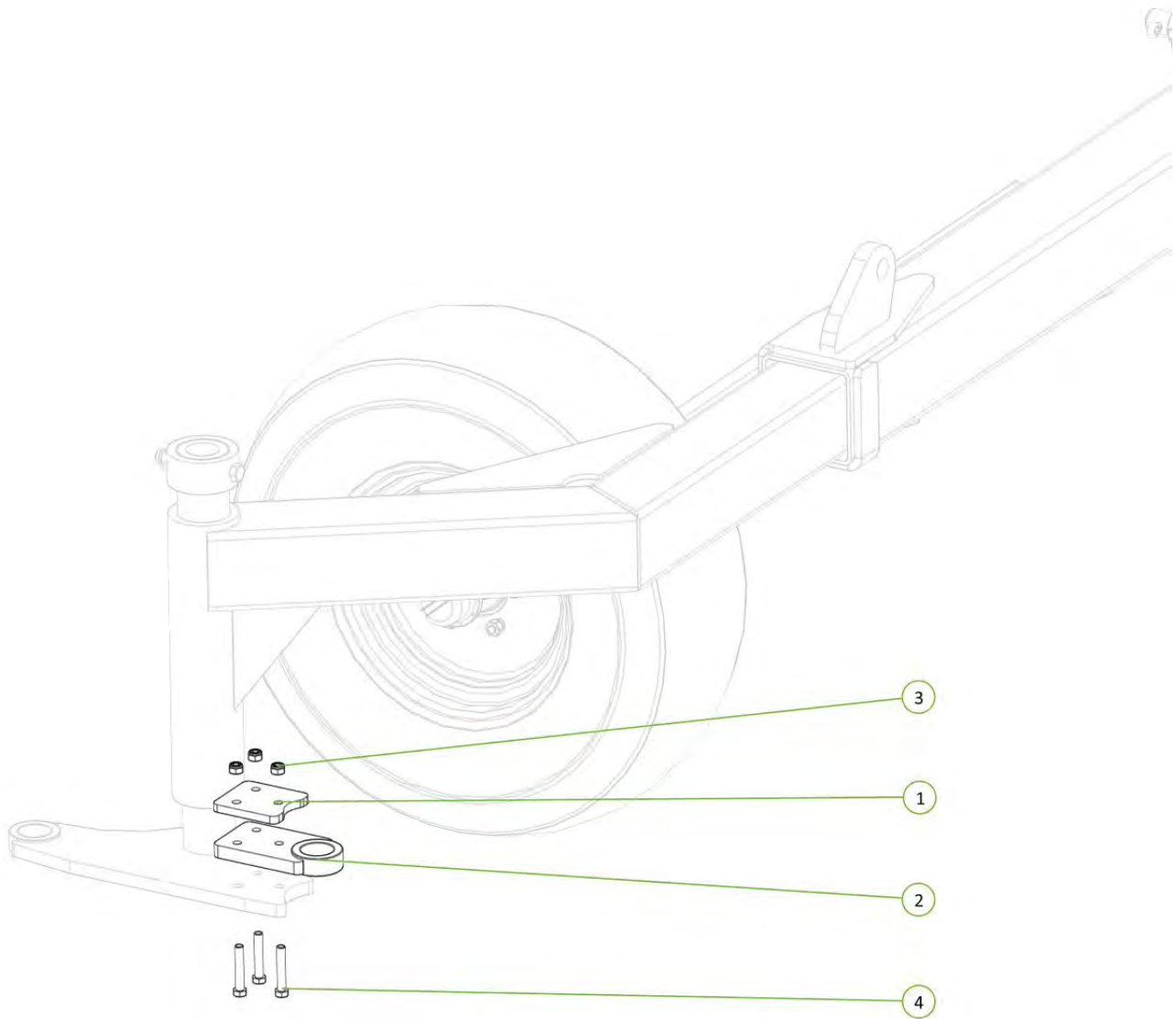
Item No.	Description	Qty	Number
1	M16 x 90 grade 8.8 zp Bolt	1	0211-1690
2	Nyloc Nut M16	1	0221-NYL16
3	Axle 2"R 3T 6 on 6"PCD 330 OHF Complete Assembly	1	0733-K5083T66S
4	11L15F3 tyre On Rim	1	0721-15X8



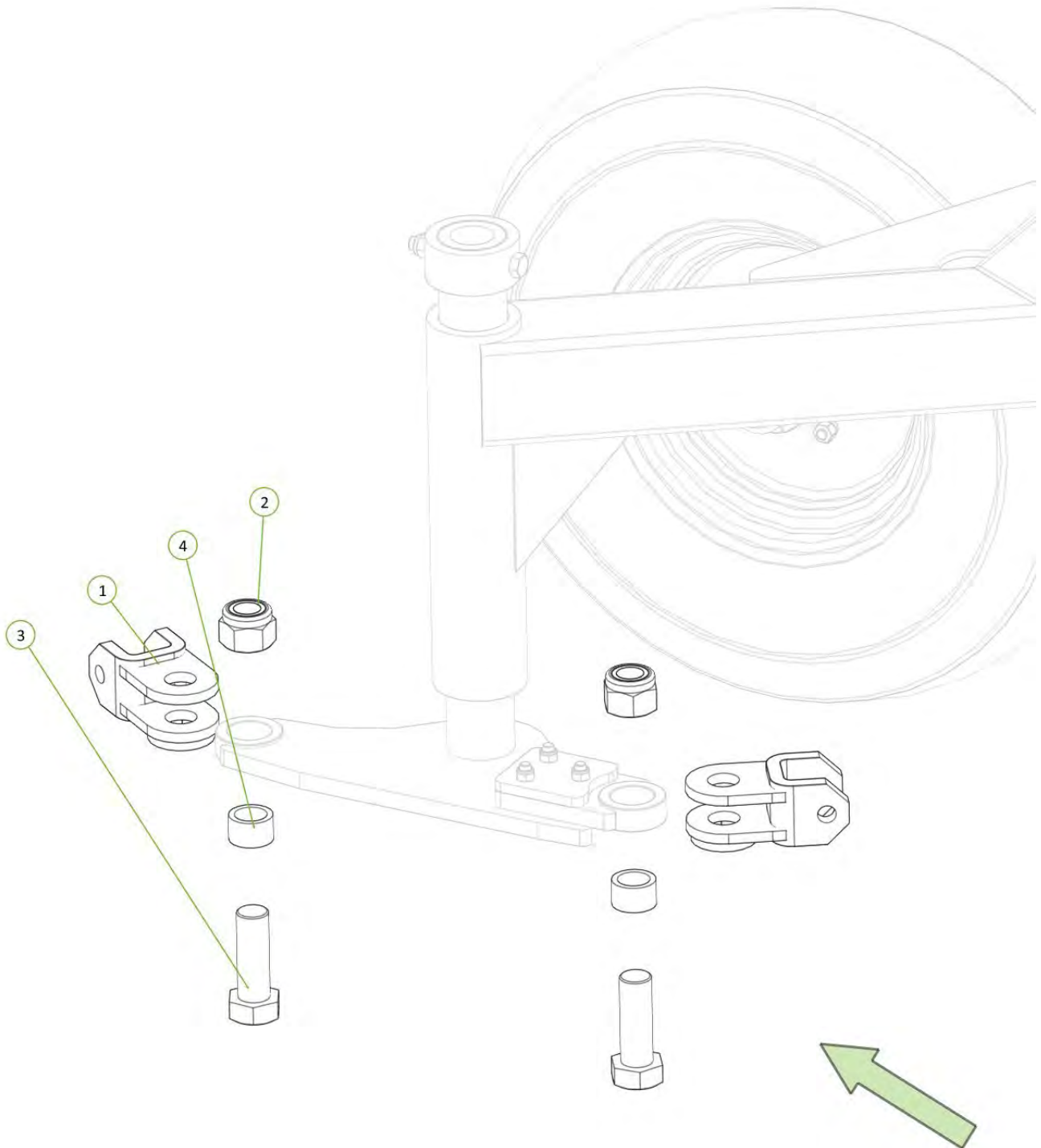
Item No.	Description	Qty	Number
1	LH Drop Leg	1	1510-25
2	M16 x 130 grade 8.8 zp Bolt	1	0211-16130
3	Nyloc Nut M16	1	0221-NYL16
4	Drop Leg Retaining Bush	1	1501-26



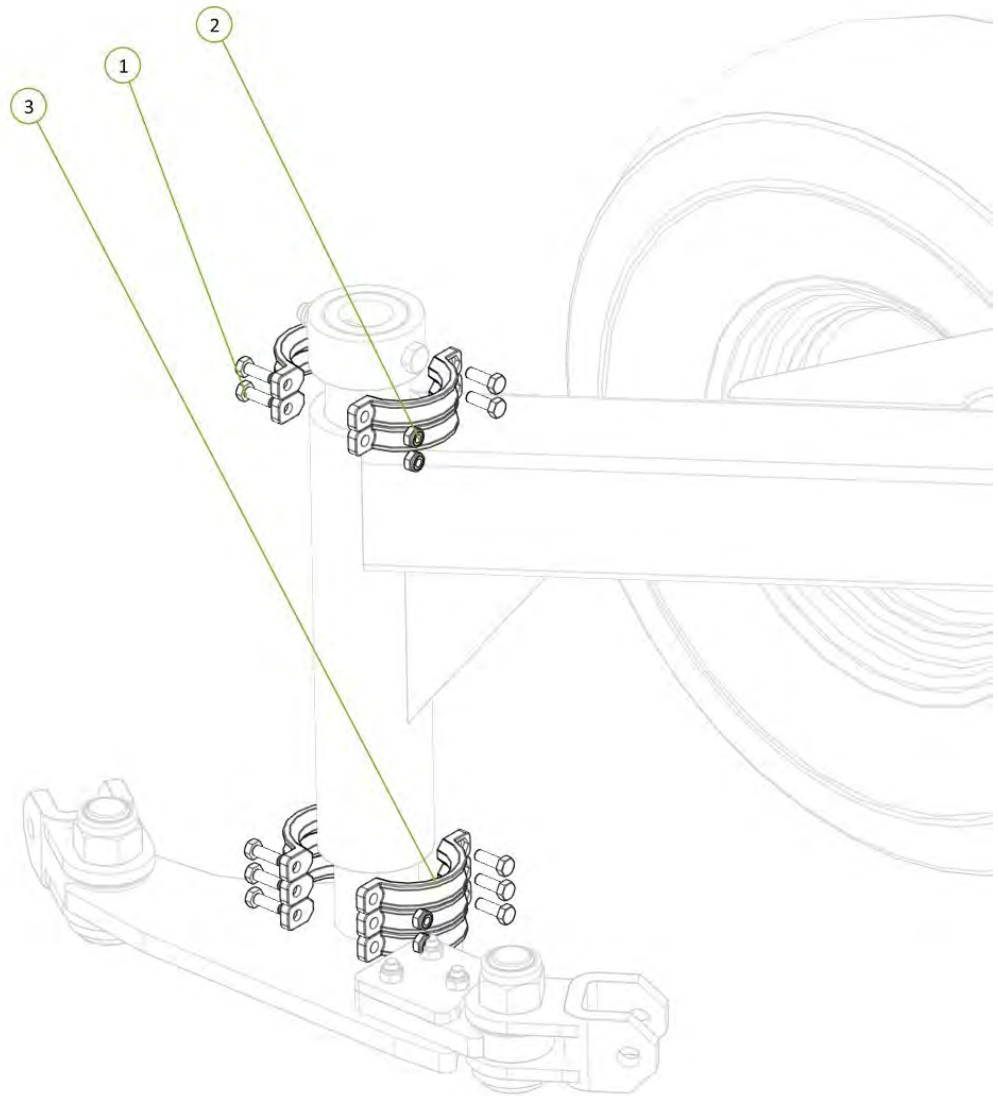
Item No.	Description	Qty	Number
1	Drop Leg Spacer Plate	1	1500-095
2	Drop Leg Bush Housing	1	1510-23
3	Nyloc Nut M12	3	0221-NYL12
4	M12 x 70 grade 8.8 ZP Bolt	3	0211-1270



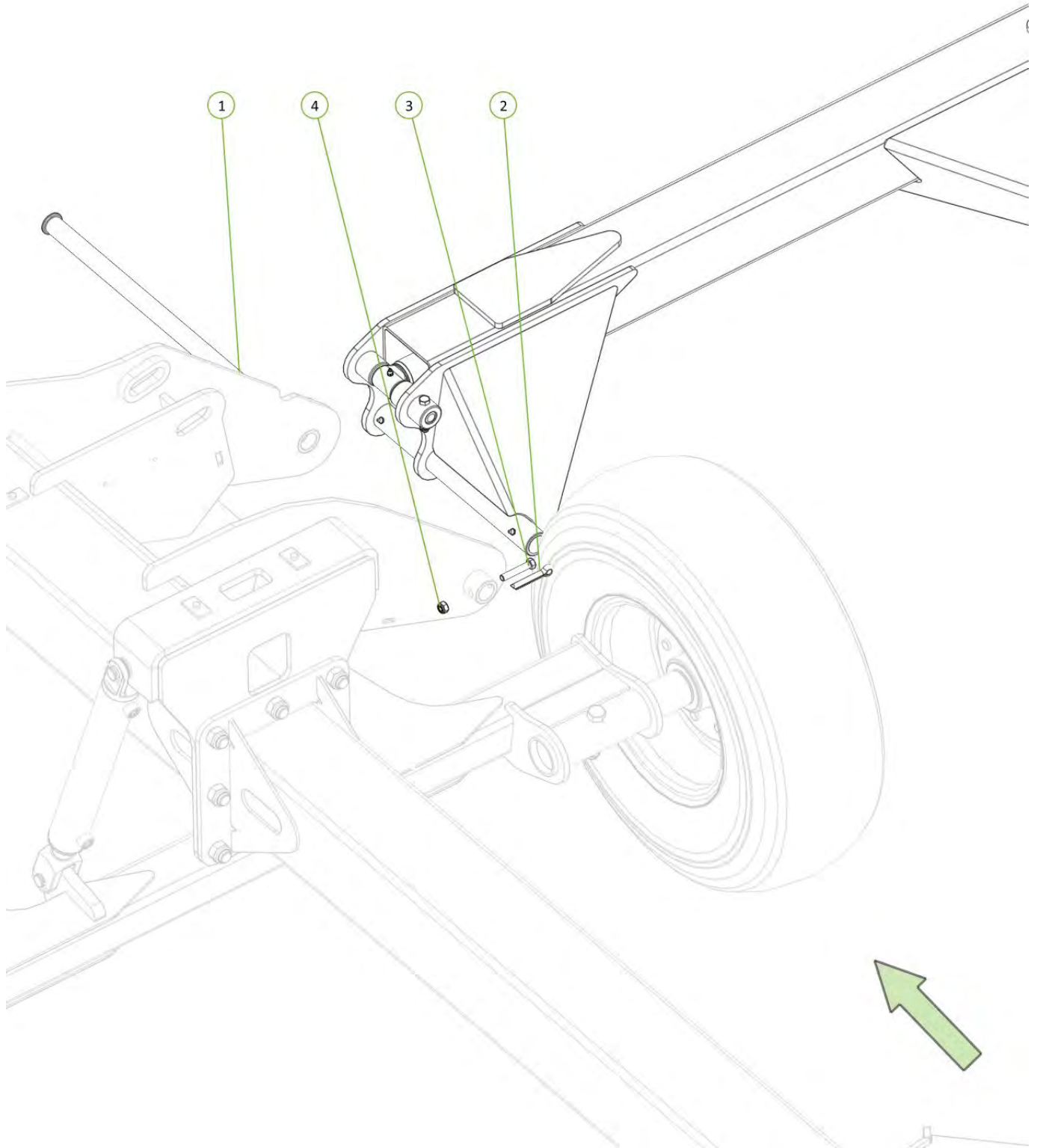
Item No.	Description	Qty	Number
1	21mm Welded Bolt on Clevis	2	0810-KE53
2	Nyloc Nut M36	2	0221-NYL36
3	M36 x 105 grade 8.8 ZP Bolt	2	0211-36105
4	Wear Bush	2	1501-365033-SS



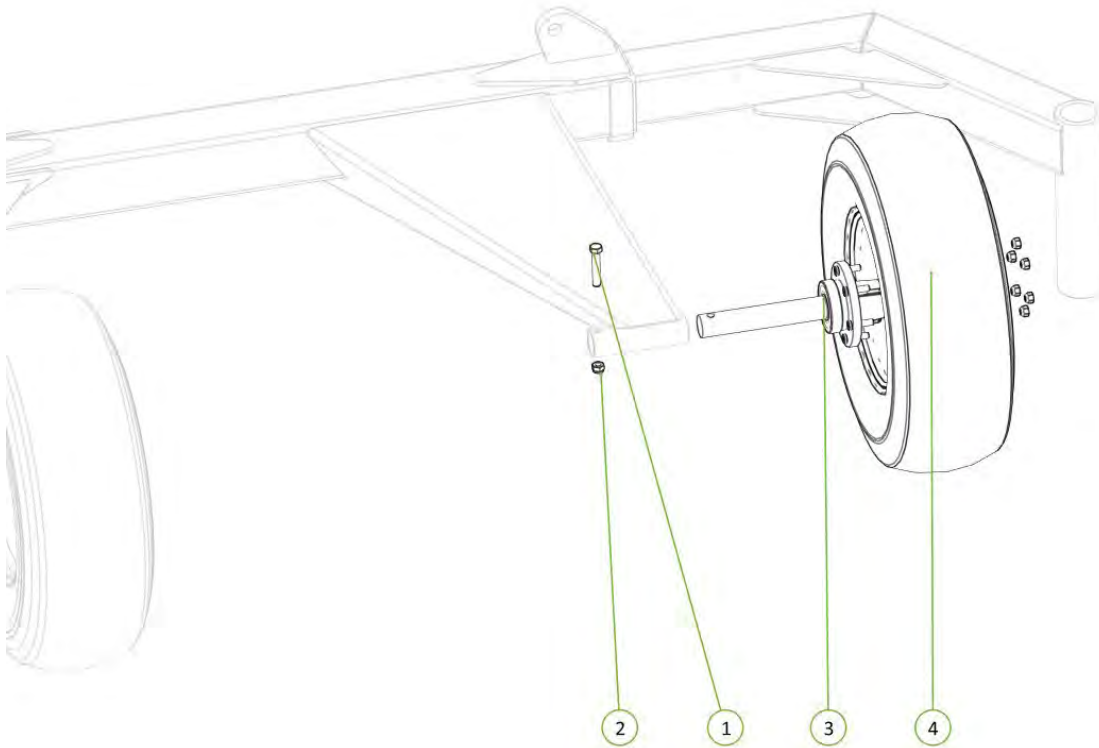
Item No.	Description	Qty	Number
1	M10 x 30 grade 8.8 ZP Bolt	10	0211-1030
2	Nyloc Nut M10	10	0221-NYL10
3	25mm Drop Leg Spacer Half	10	0801-CS25



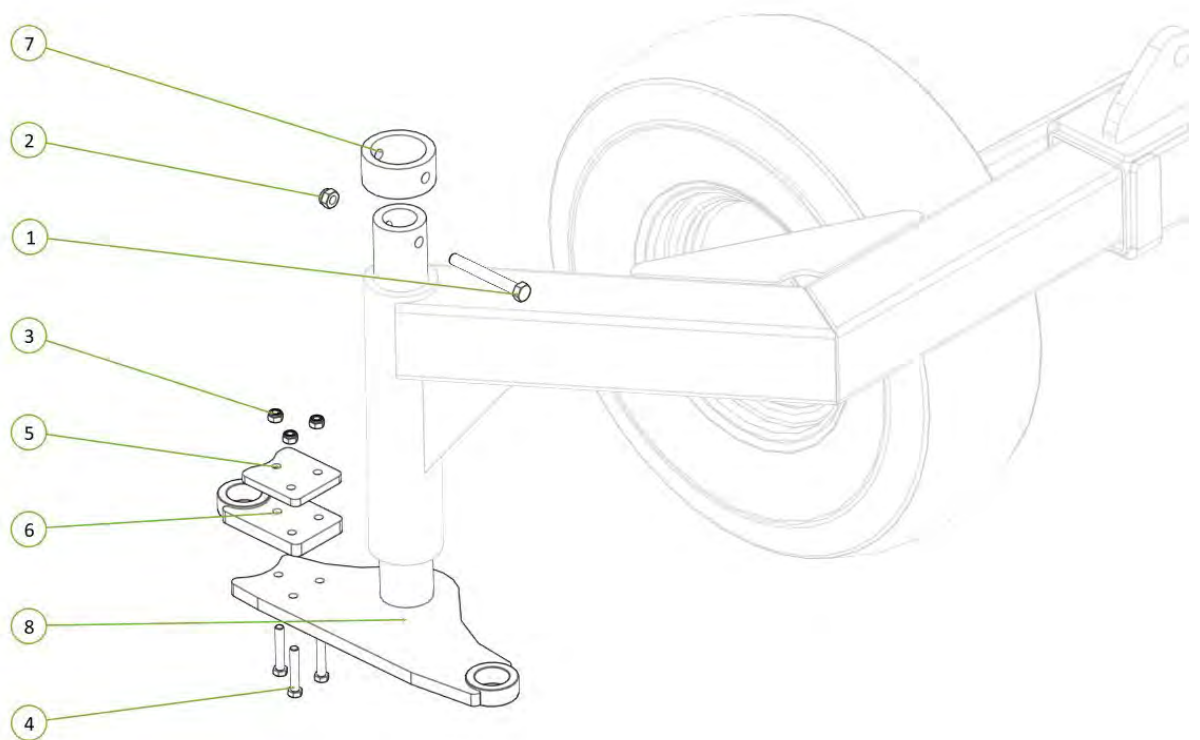
Item No.	Description	Qty	Number
1	Long Pivot Pin	1	1501-35615
2	COTTER PIN M13 X 63mm	1	0261-PINC1363
3	M12 x 65 grade 8.8 ZP Bolt	1	0211-1265
4	Nyloc Nut M12	1	0221-NYL12



Item No.	Description	Qty	Number
1	M16 x 90 grade 8.8 zp Bolt	1	0211-1690
2	Nyloc Nut M16	1	0221-NYL16
3	Axle 2"R 3T 6 on 6"PCD 330 OHF Complete Assembly	1	0732-K5083TS
4	Rim Only 15" Diameter 8" Wide, 6 on 6" PCD, 118mm Bore, +30 Offset	1	0721-15X8

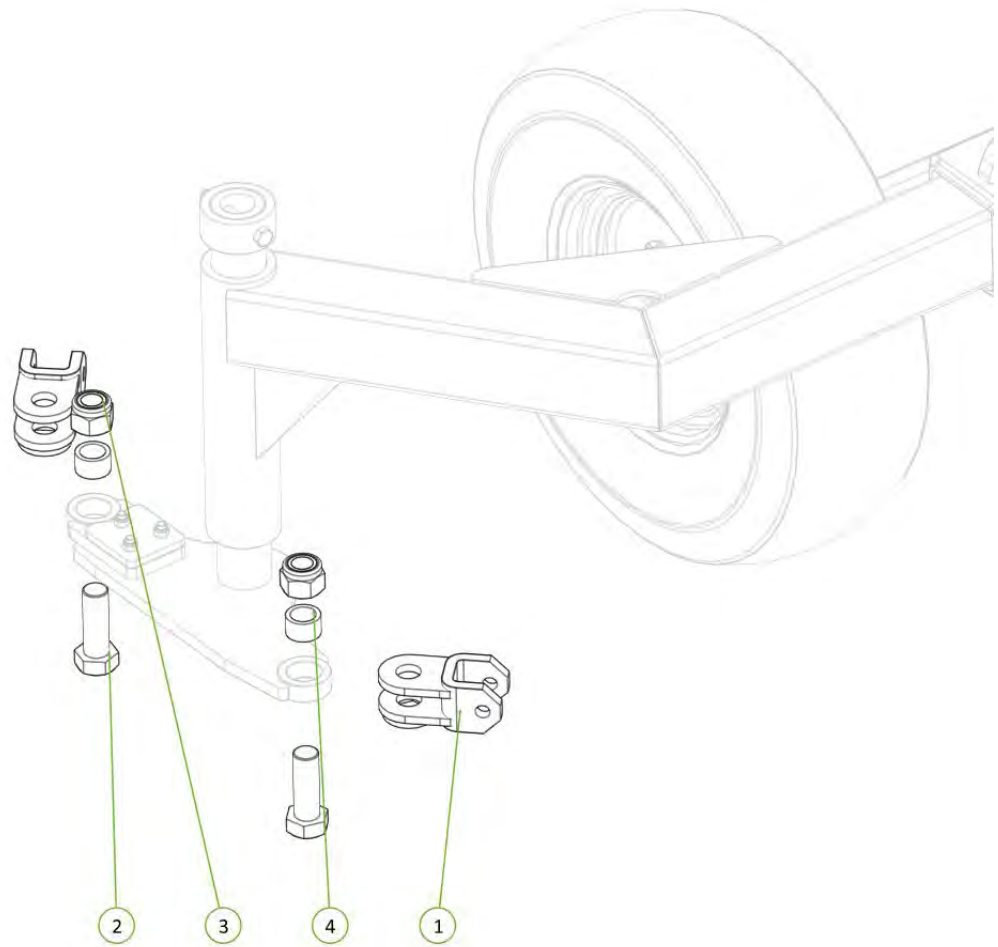


Item No.	Description	Qty	Number
1	M16 x 130 grade 8.8 zp Bolt	1	0211-16130
2	Nyloc Nut M16	1	0221-NYL16
3	Nyloc Nut M12	3	0221-NYL12
4	M12 x 70 grade 8.8 ZP Bolt	3	0211-1270
5	Drop Leg Spacer Plate	1	1500-095
6	Drop Leg Bush Housing	1	1510-23
7	Drop Leg Retaining Bush	1	1501-26
8	RH Drop Leg	1	1510-24

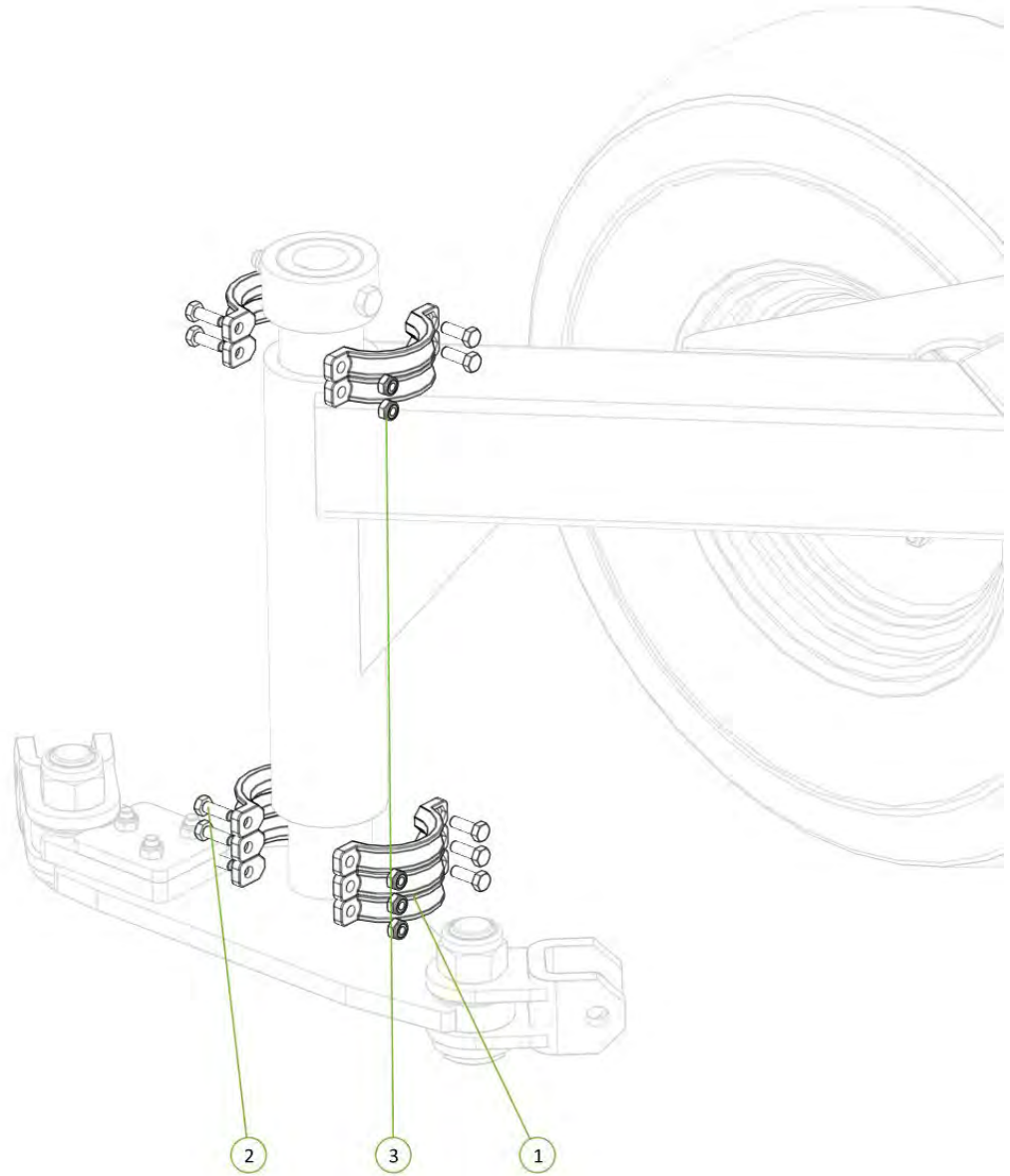




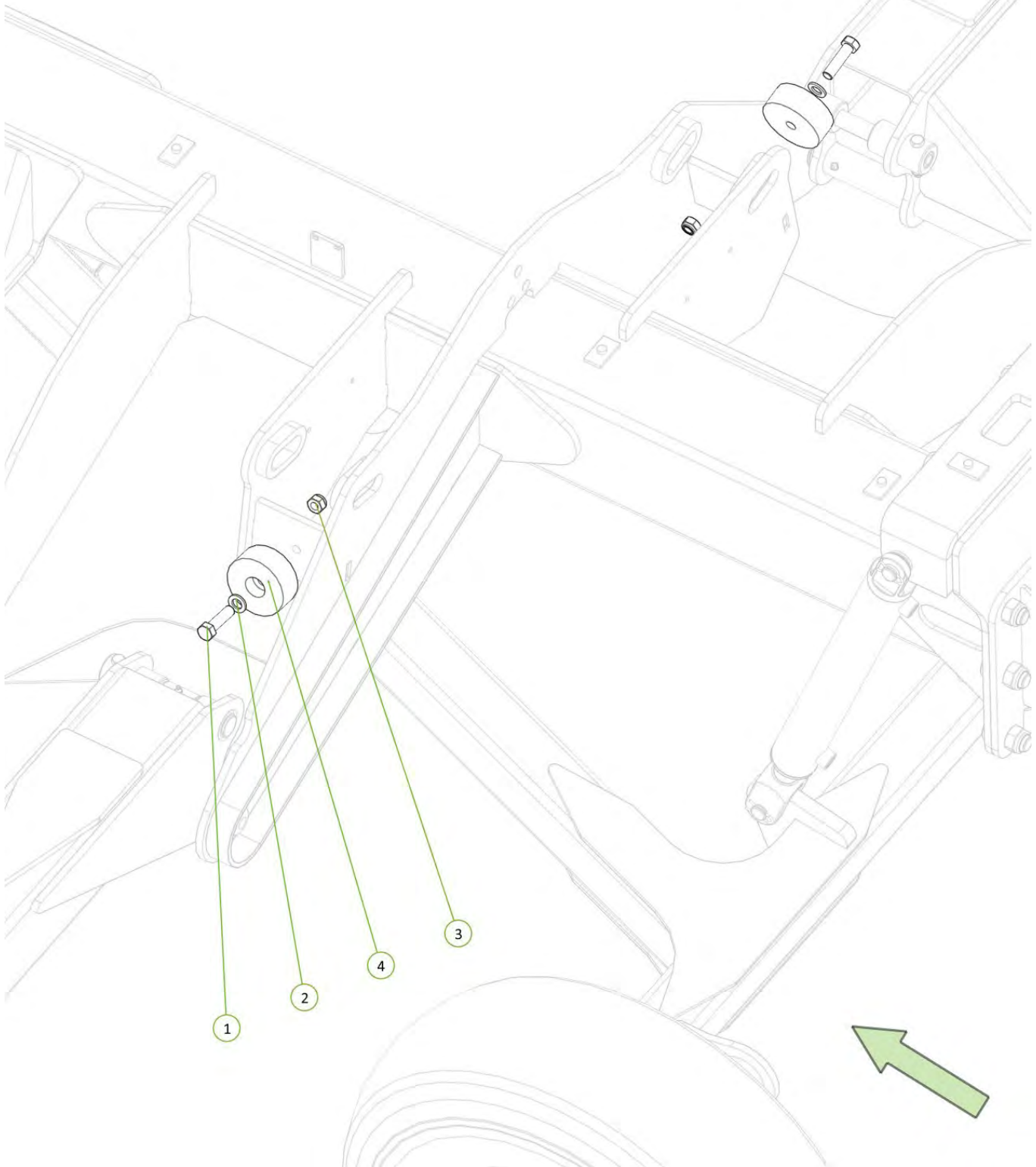
Item No.	Description	Qty	Number
1	21mm Welded Bolt on Clevis	2	0810-KE53
2	M36 x 105 grade 8.8 ZP Bolt	2	0211-36105
3	Nyloc Nut M36	2	0221-NYL36
4	Wear Bush	2	1501-365033-SS



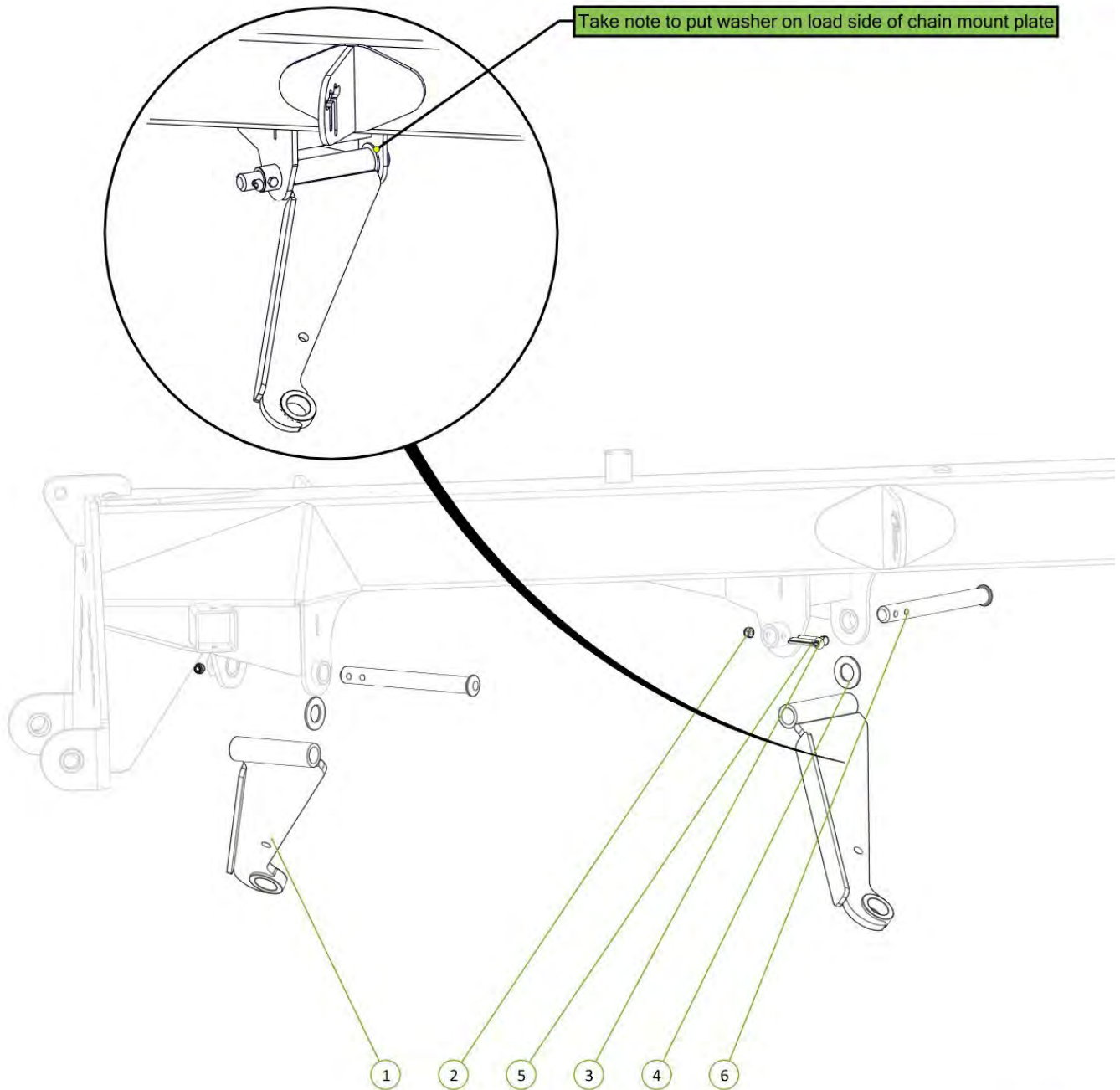
Item No.	Description	Qty	Number
1	25mm Drop Leg Spacer Half	10	0801-CS25
2	M10 x 30 grade 8.8 ZP Bolt	10	0211-1030
3	Nyloc Nut M10	10	0221-NYL10



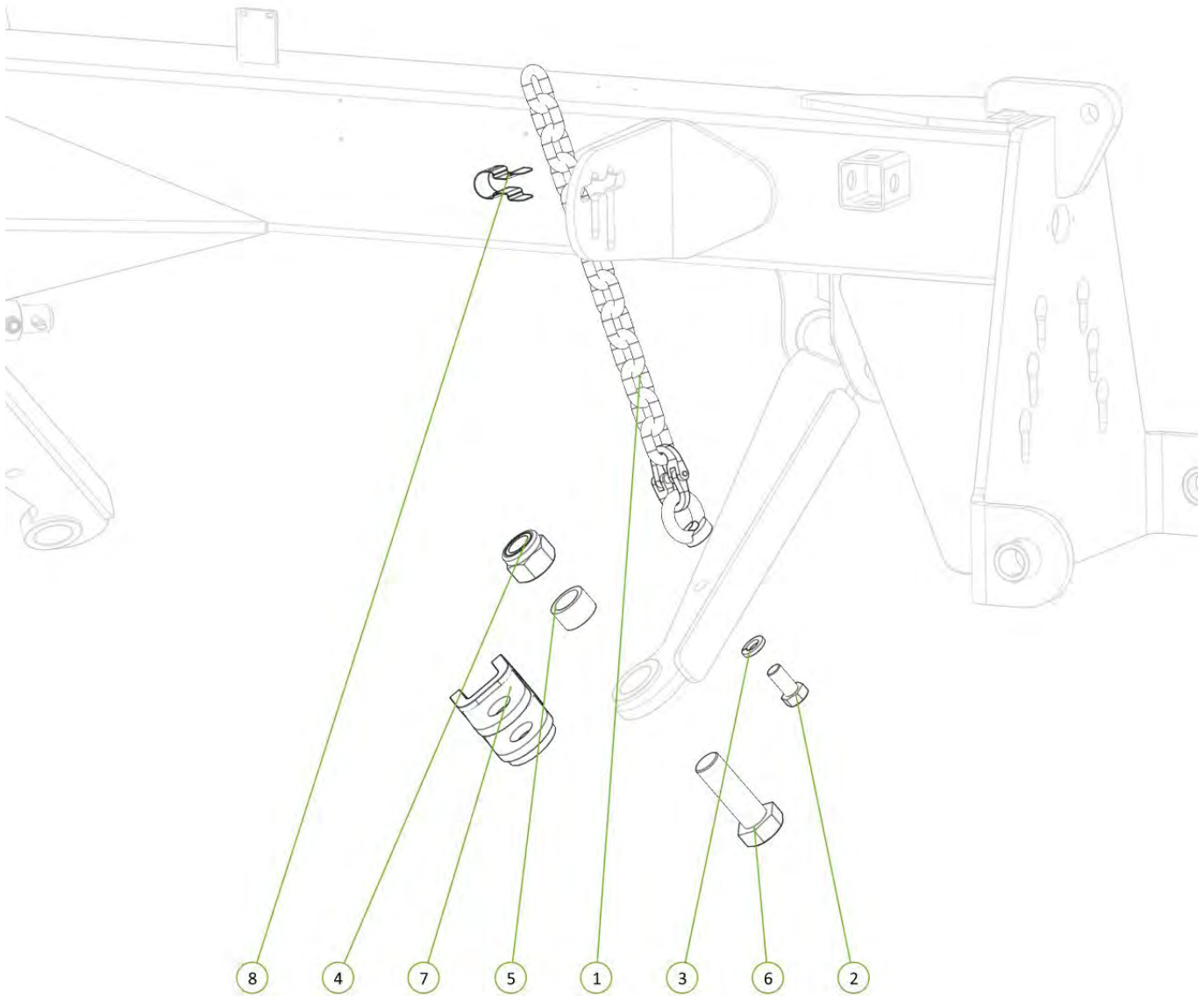
Item No.	Description	Qty	Number
1	M16 x 60 grade 8.8 zp Bolt	2	0211-1660
2	Washer Flat M16	2	0231-F16
3	Nyloc Nut M16	2	0221-NYL16
4	Rubber Wing Folding Buffer	2	1201-12



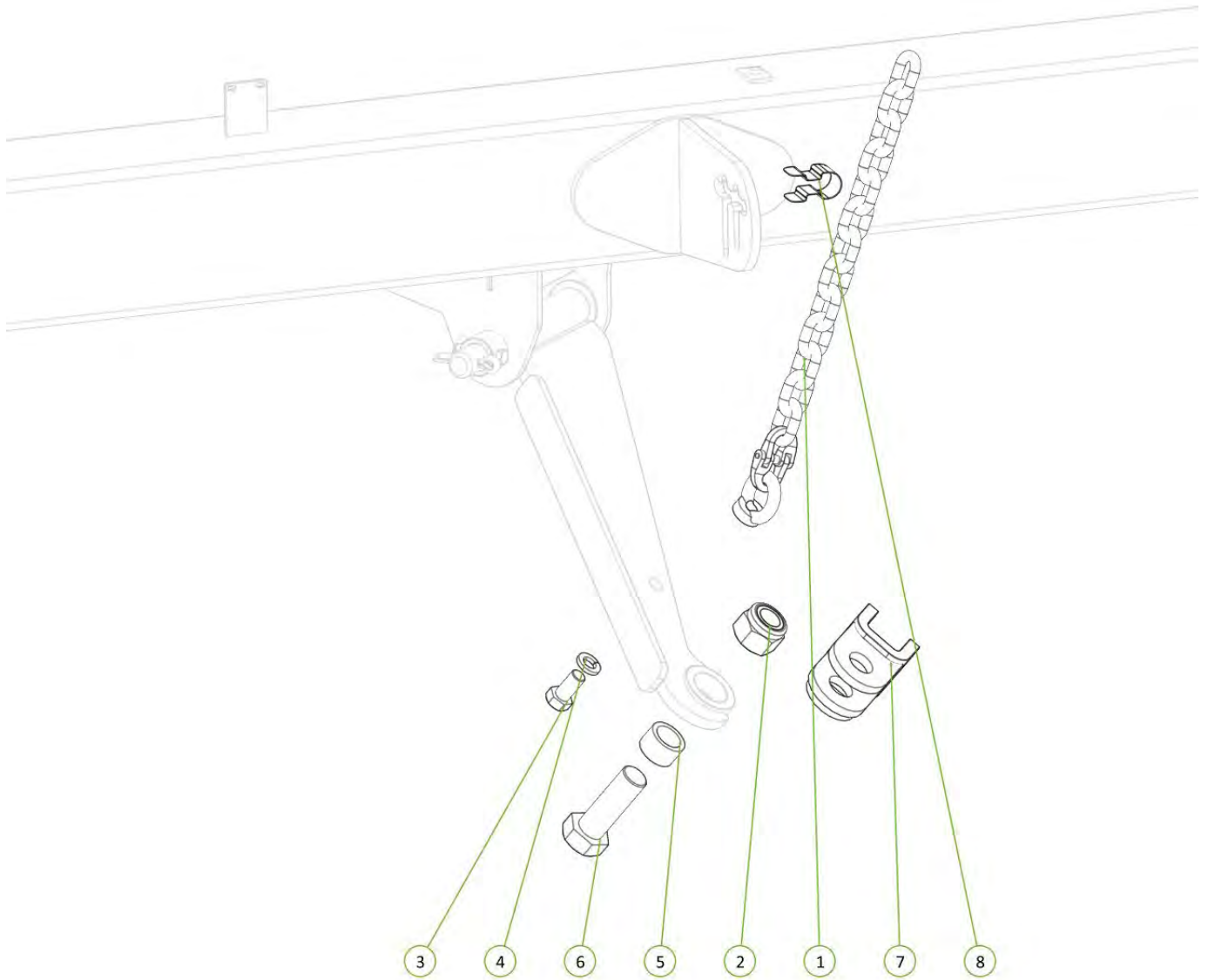
Item No.	Description	Qty	Number
1	Chain Mount Plate	2	1510-20
2	Nyloc Nut M12	2	0221-NYL12
3	M12 x 65 grade 8.8 ZP Bolt	2	0211-1265
4	Washer High Tensile 1 3/8"	2	0232-HT13-8
5	Cotter Pin M13 X 63mm	2	0261-PINC1363
6	Short Pivot Pin	2	1501-35330



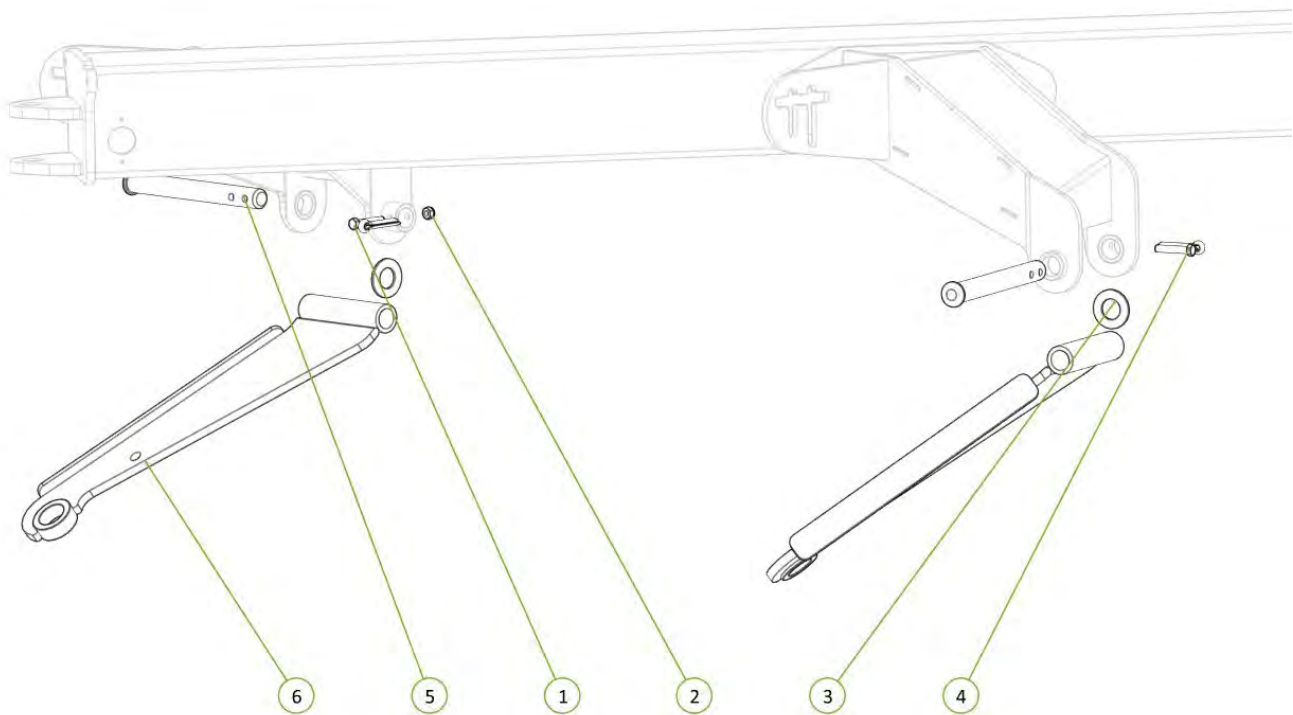
Item No.	Description	Qty	Number
1	M20 x 13mm Chain Assembly 13 Link	1	0801-20MCA
2	M20 x 50 grade 8.8 ZP Bolt	1	0211-2040
3	M20 Spring Washer	1	0231-S20
4	Nyloc Nut M36	1	0221-NYL36
5	Wear Bush	1	1501-365033-SS
6	M36 x 105 grade 8.8 ZP Bolt	1	0211-36105
7	21mm Welded Bolt on Clevis	1	0810-KE53
8	Height Adjustor Retaining Clip	1	0801-KE014



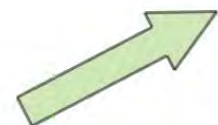
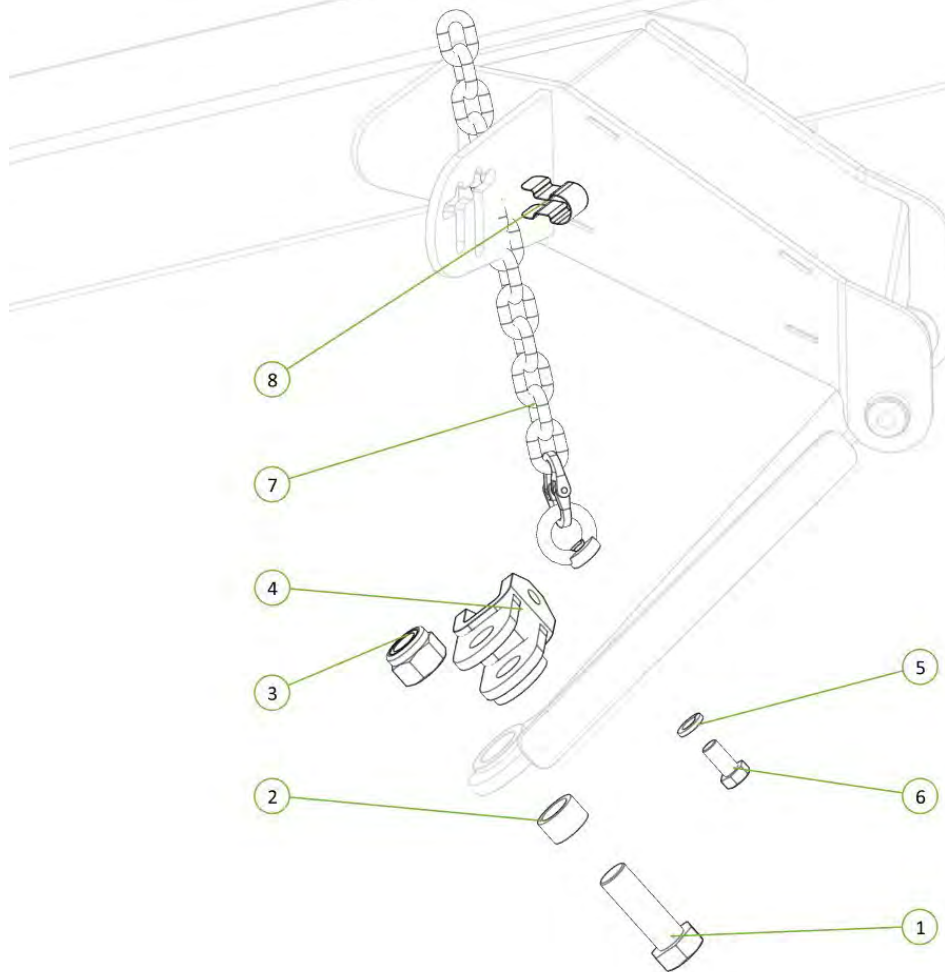
Item No.	Description	Qty	Number
1	M20 x 13mm Chain Assembly 13 Link	1	0801-20MCA
2	Nyloc Nut M36	1	0221-NYL36
3	M20 x 40 grade 8.8 ZP Bolt	1	0211-2040
4	M20 Spring Washer	1	0231-S20
5	Wear Bush	1	1501-365033-SS
6	M36 x 105 grade 8.8 ZP Bolt	1	0211-36105
7	21mm Welded Bolt on Clevis	1	0810-KE53
8	Height Adjustor Retaining Clip	1	0801-KE014



Item No.	Description	Qty	Number
1	M12 x 65 grade 8.8 ZP Bolt	2	0211-1265
2	Nyloc Nut M12	2	0221-NYL12
3	Washer High Tensile 1 3/8"	2	0232-HT13-8
4	Cotter Pin M13 X 63mm	2	0261-PINC1363
5	Short Pivot Pin	2	1501-35330
6	Chain Mount Plate	2	1510-20

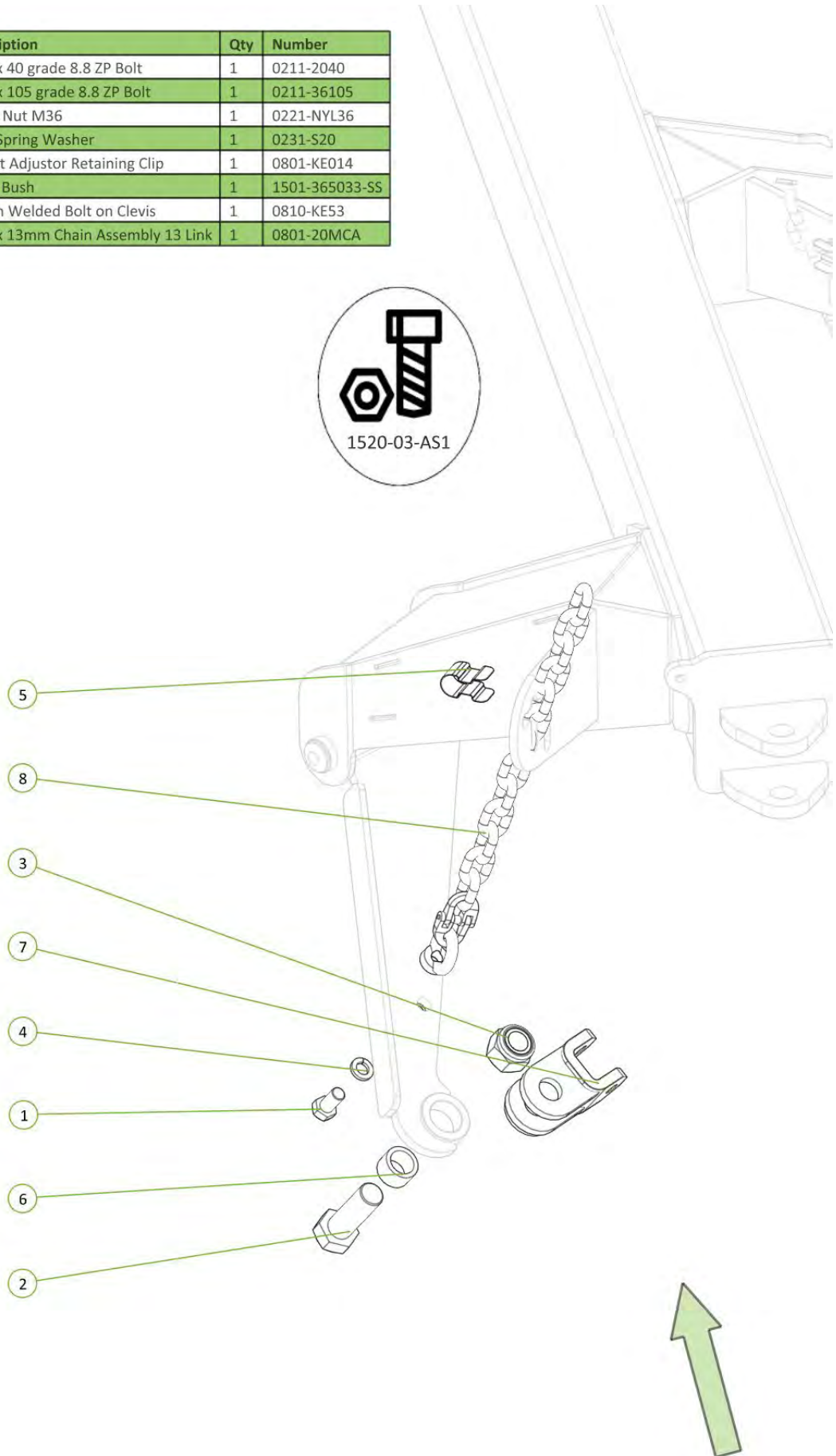


Item No.	Description	Qty	Number
1	M36 x 105 grade 8.8 ZP Bolt	1	0211-36105
2	Wear Bush	1	1501-365033-SS
3	Nyloc Nut M36	1	0221-NYL36
4	21mm Welded Bolt on Clevis	1	0810-KE53
5	M20 Spring Washer	1	0231-S20
6	M20 x 40 grade 8.8 ZP Bolt	1	0211-2040
7	M20 x 13mm Chain Assembly 13 Link	1	0801-20MCA
8	Height Adjustor Retaining Clip	1	0801-KE014

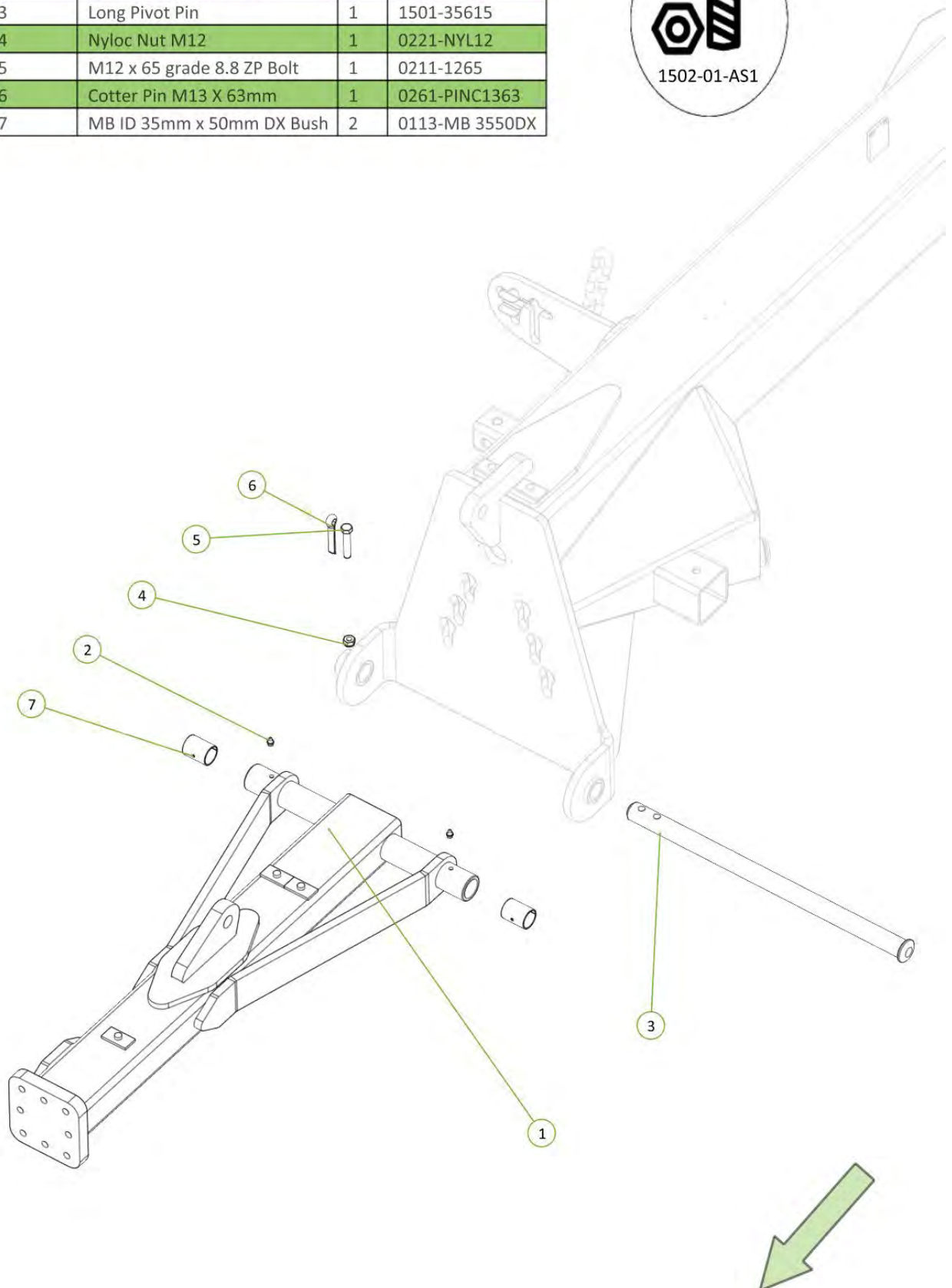




Item No.	Description	Qty	Number
1	M20 x 40 grade 8.8 ZP Bolt	1	0211-2040
2	M36 x 105 grade 8.8 ZP Bolt	1	0211-36105
3	Nyloc Nut M36	1	0221-NYL36
4	M20 Spring Washer	1	0231-S20
5	Height Adjustor Retaining Clip	1	0801-KE014
6	Wear Bush	1	1501-365033-SS
7	21mm Welded Bolt on Clevis	1	0810-KE53
8	M20 x 13mm Chain Assembly 13 Link	1	0801-20MCA



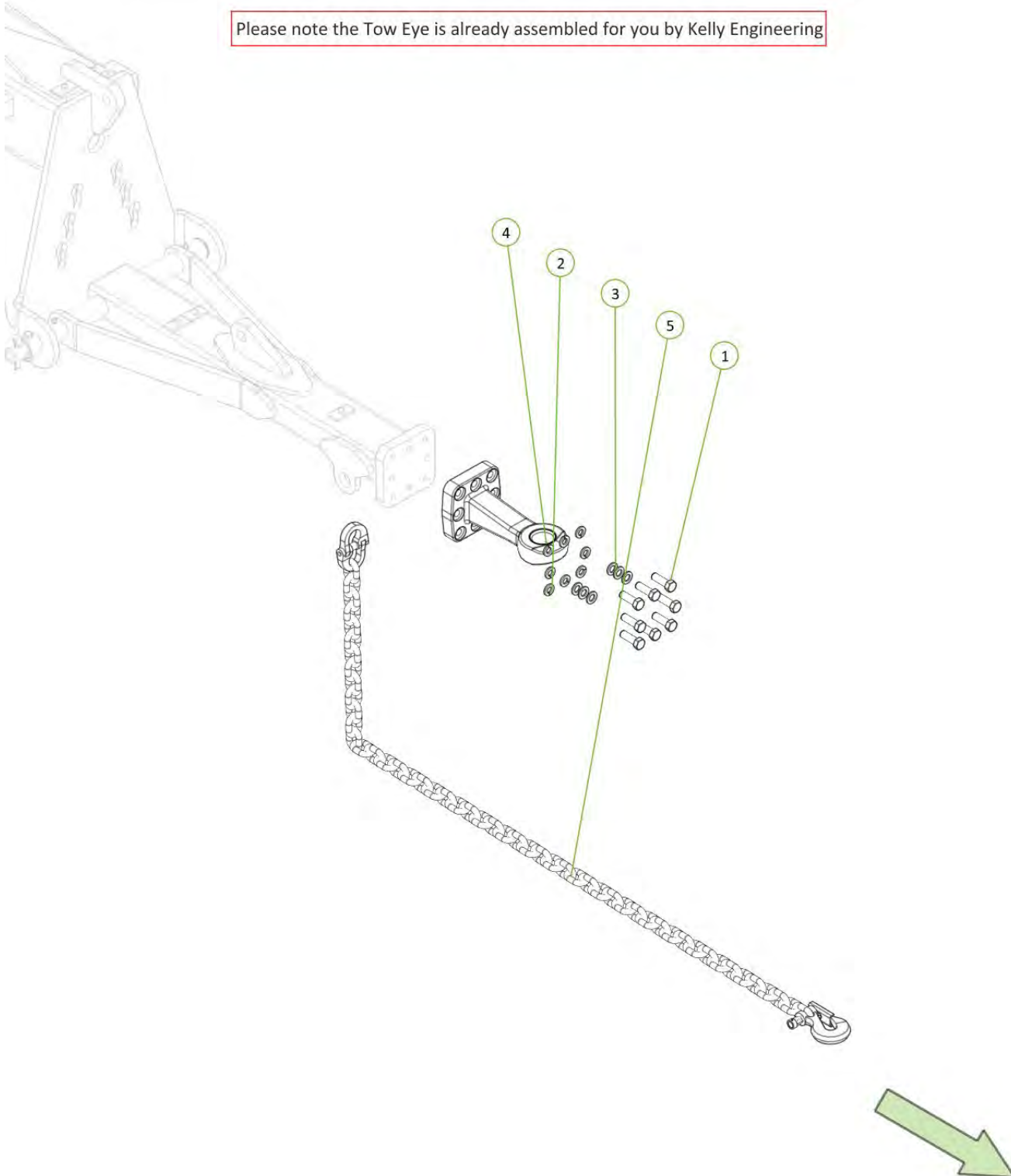
Item No.	Description	Qty	Number
1	Drawbar Frame	1	1510-08
2	Grease Nipple 1/8" BSP	2	0181-GN1-8
3	Long Pivot Pin	1	1501-35615
4	Nyloc Nut M12	1	0221-NYL12
5	M12 x 65 grade 8.8 ZP Bolt	1	0211-1265
6	Cotter Pin M13 X 63mm	1	0261-PINC1363
7	MB ID 35mm x 50mm DX Bush	2	0113-MB 3550DX



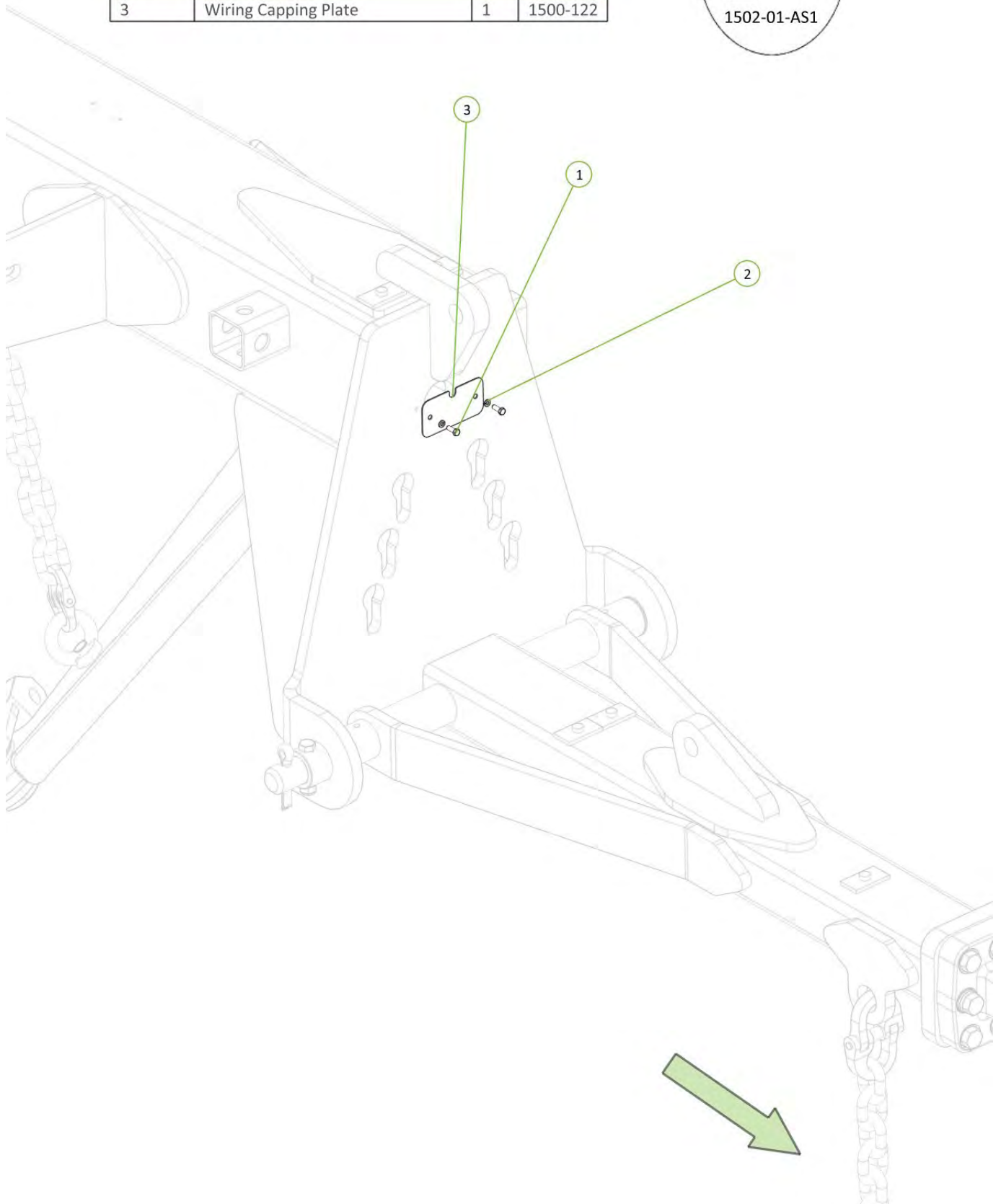
Item No.	Description	Qty	Number
1	M16 x 50 grade 8.8 zp Bolt	8	0211-1650
2	M16 Spring Washer	8	0231-S16
3	Washer Flat M16	6	0231-F16
4	Ring Coupling 50mm Eye	1	1501-RCBD50MM
5	Safety Chain Assembly	1	0810-16



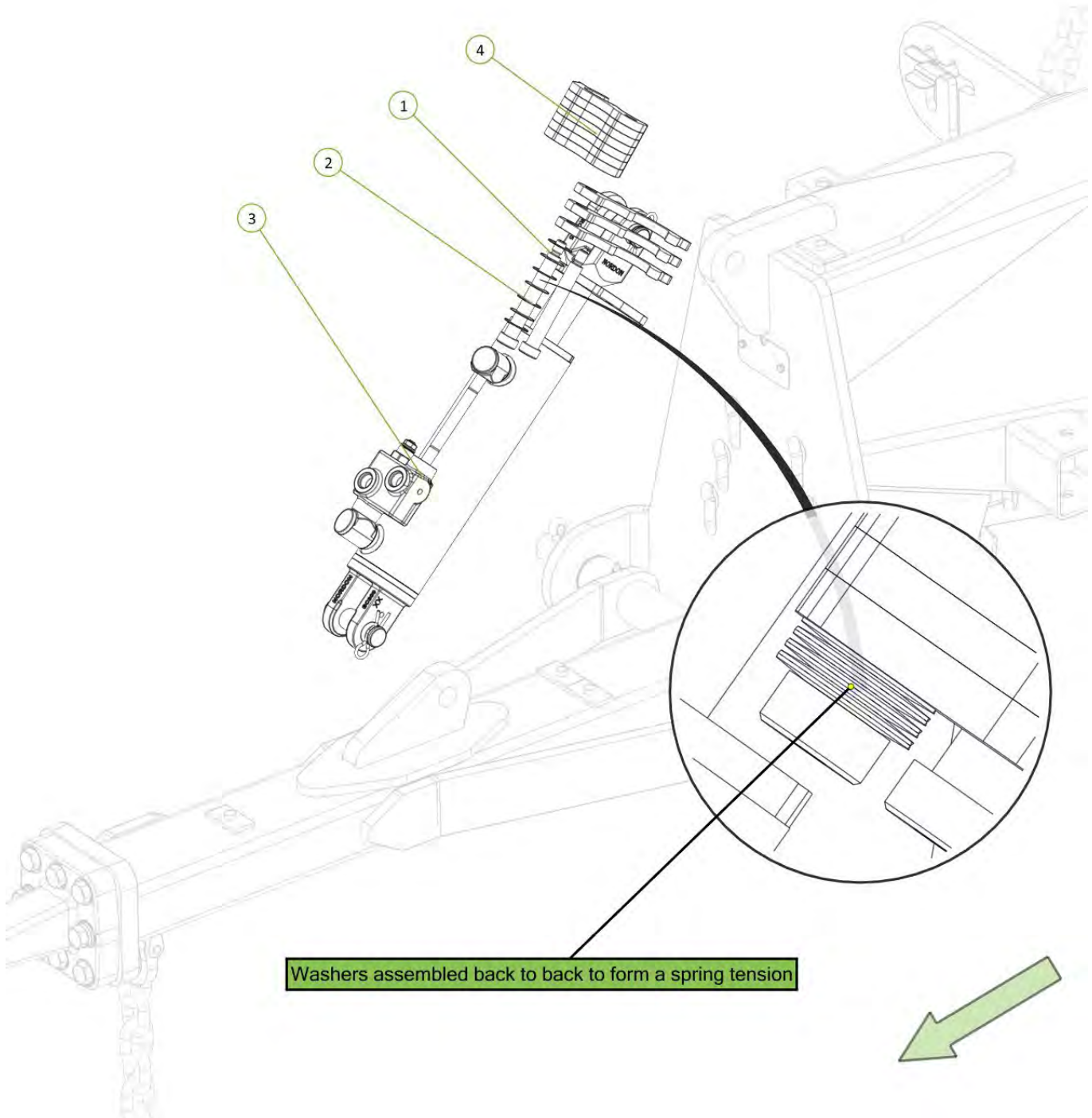
Please note the Tow Eye is already assembled for you by Kelly Engineering



Item No.	Description	Qty	Number
1	M5 x 0.8 x 15mm Grade 4.6 ZP Bolt	2	0211-515
2	M5 Spring Washer	2	0231-S5
3	Wiring Capping Plate	1	1500-122

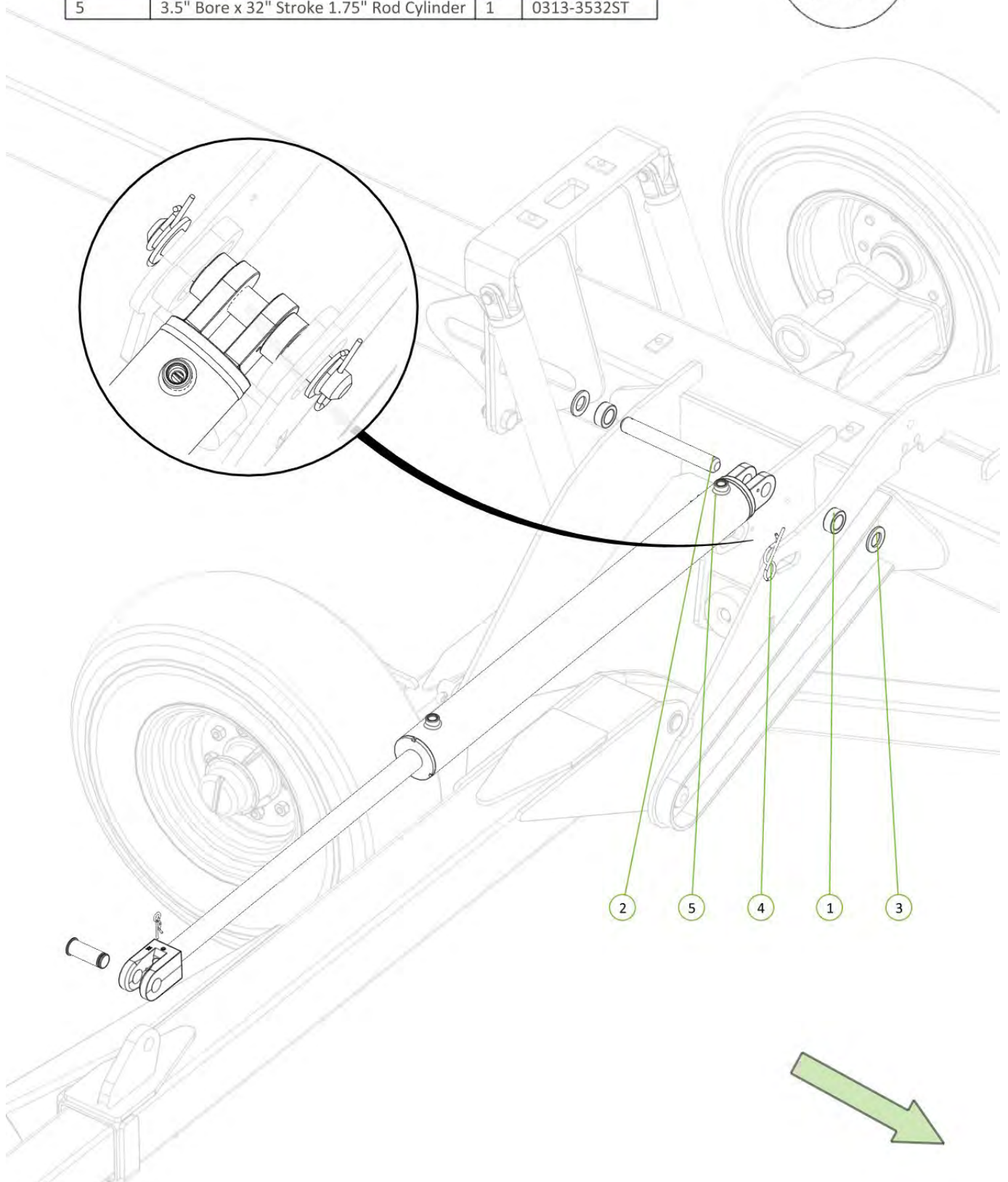


Item No.	Description	Qty	Number
1	Shoulder Screw M12*16*110 Z P	2	0211-12110SHSCREW
2	Compression Cup Washer	7	0231-SPRINGCUP
3	3" Bore x 8" Stroke 1.5" Rod with Counterbalance Valve	1	0311-38
4	Cylinder Depth Stop Plate	10	0800-278

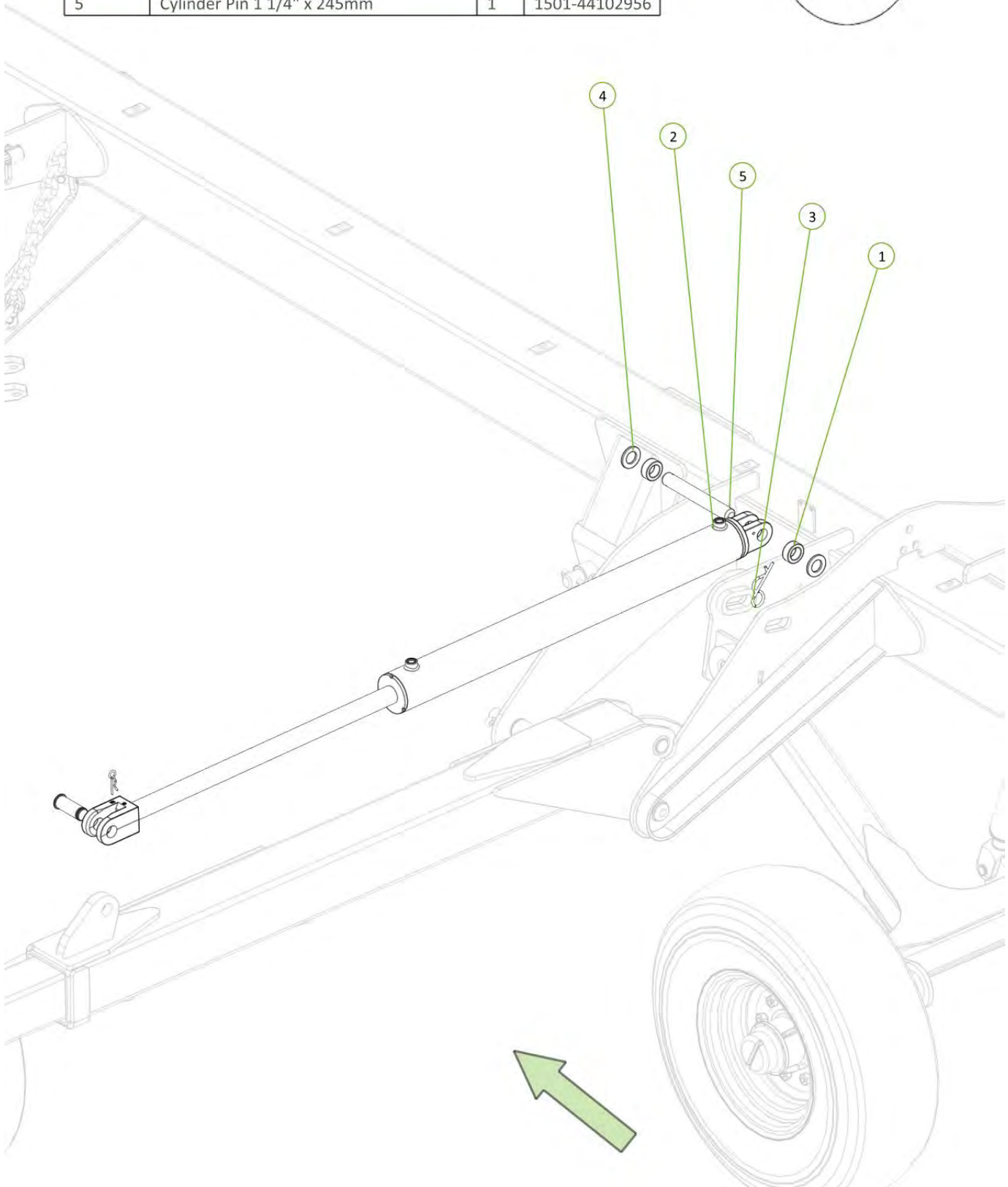


Washers assembled back to back to form a spring tension

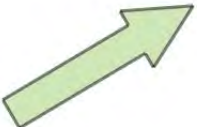
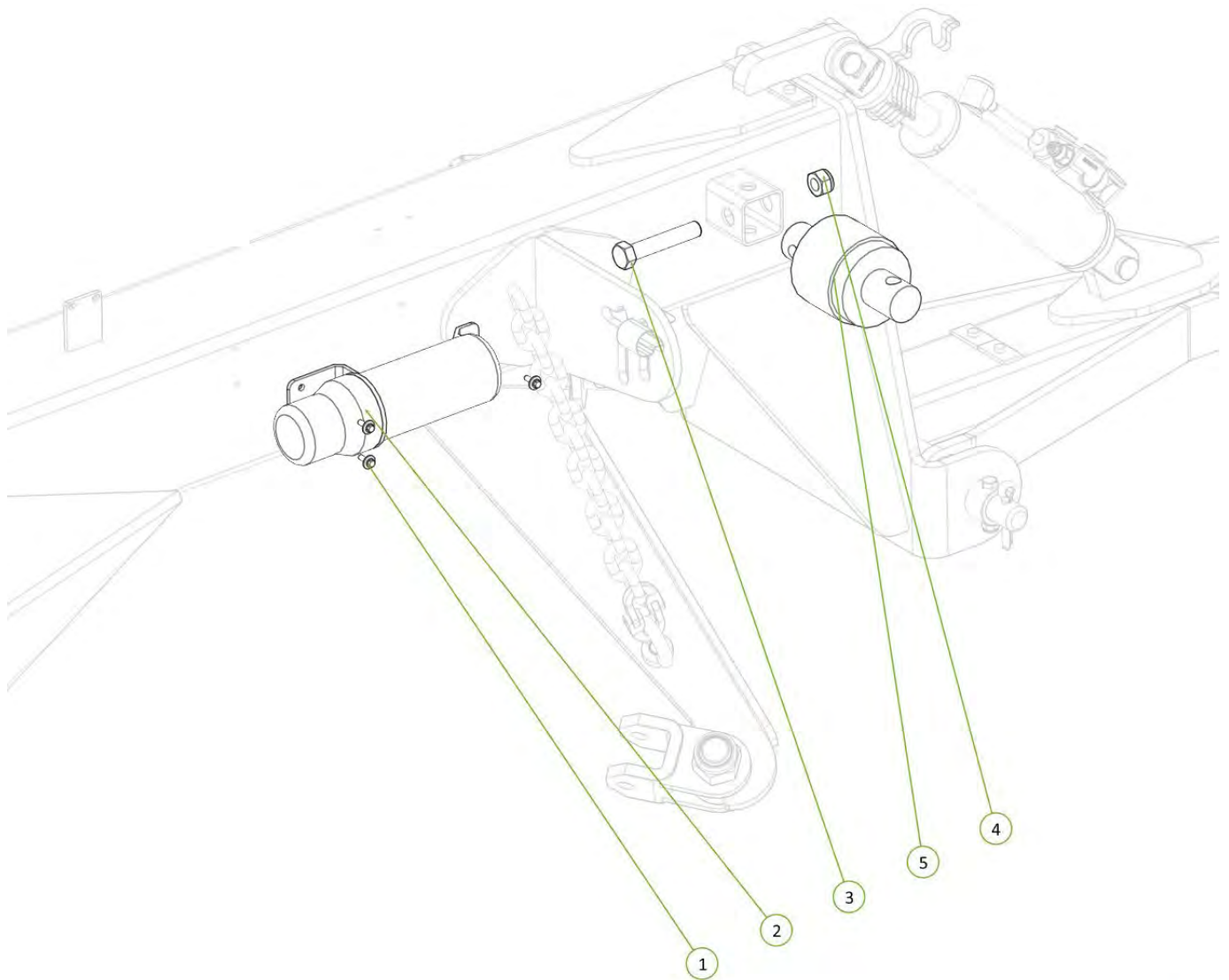
Item No.	Description	Qty	Number
1	Spacer bush	2	1501-325120
2	Cylinder Pin 1 1/4" x 245mm	1	1501-44102956
3	Washer Flat M30	2	0231-F30
4	S Locking Pin Clip 5mm	2	0801-KE012
5	3.5" Bore x 32" Stroke 1.75" Rod Cylinder	1	0313-3532ST



Item No.	Description	Qty	Number
1	Spacer bush	2	1501-325120
2	3.5" Bore x 32" Stroke 1.75" Rod Cylinder	1	0313-3532ST
3	S Locking Pin Clip 5mm	2	0801-KE012
4	Washer Flat M30	2	0231-F30
5	Cylinder Pin 1 1/4" x 245mm	1	1501-44102956

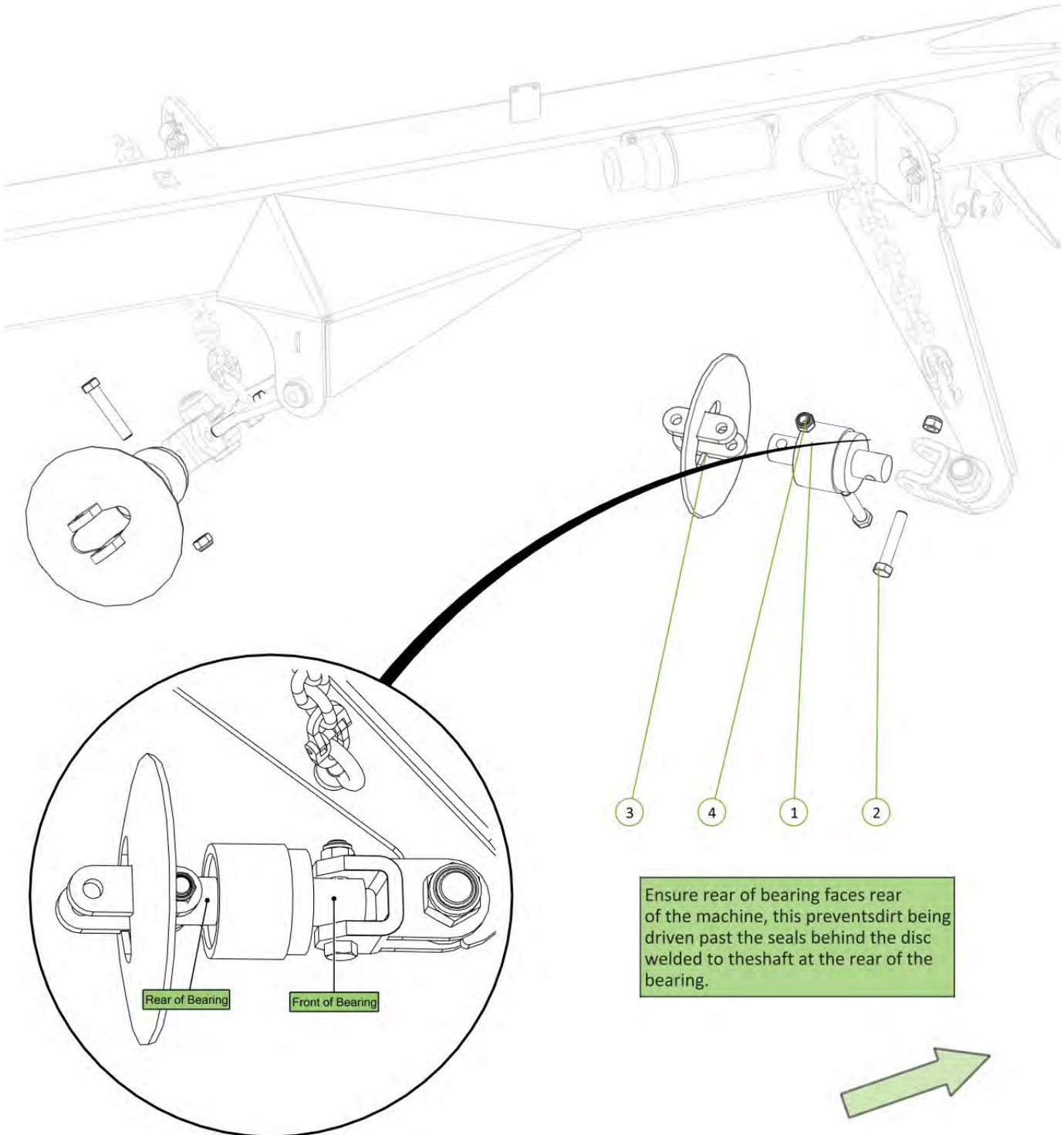


Item No.	Description	Qty	Number
1	M6 x 20mm Trilobe Screw	3	0211-M620MZPHTF
2	OPERATOR MANUAL CANNISTER	1	0801-OMC
3	M20 x 110 grade 10.9 ZP Short Thread Bolt	1	0211-20110 ST
4	Nyloc Nut M20	1	0221-NYL20
5	20mm Bolt Swivel Unit	1	0802-PCHB55

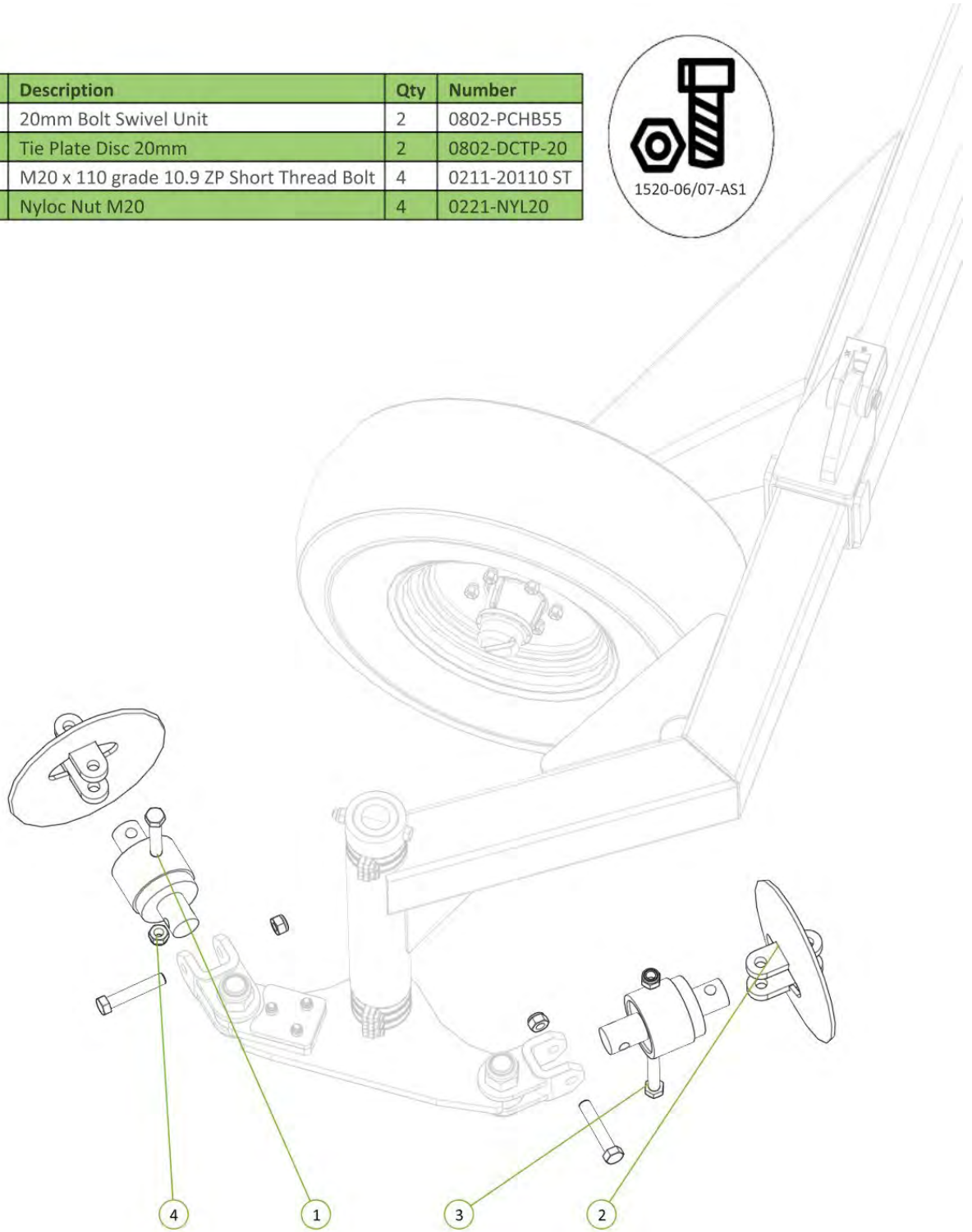




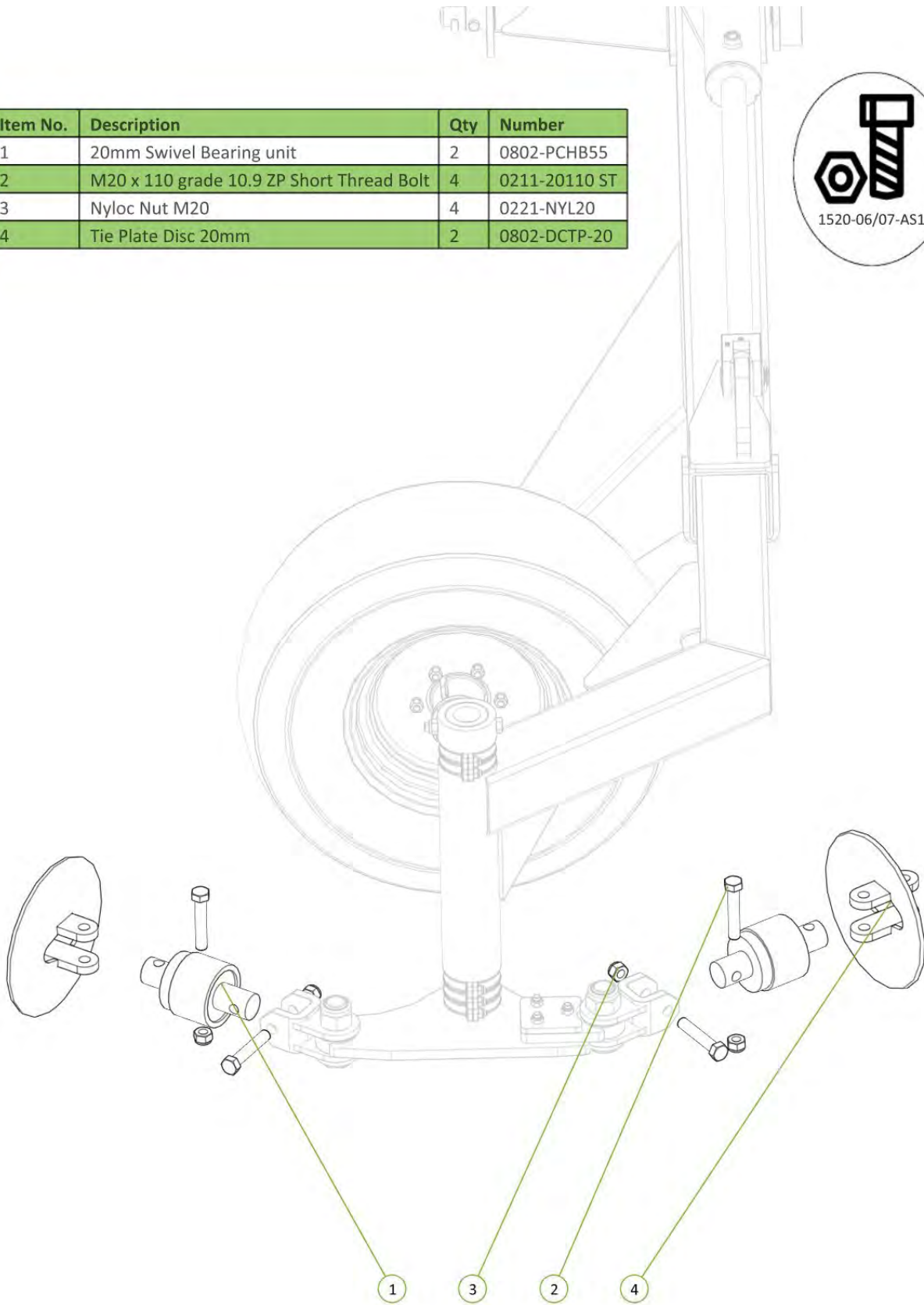
Item No.	Description	Qty	Number
1	20mm Bolt Swivel Unit	2	0802-PCHB55
2	M20 x 110 grade 10.9 ZP Short Thread Bolt	4	0211-20110 ST
3	Tie Plate Disc 20mm	2	0802-DCTP-20
4	Nyloc Nut M20	4	0221-NYL



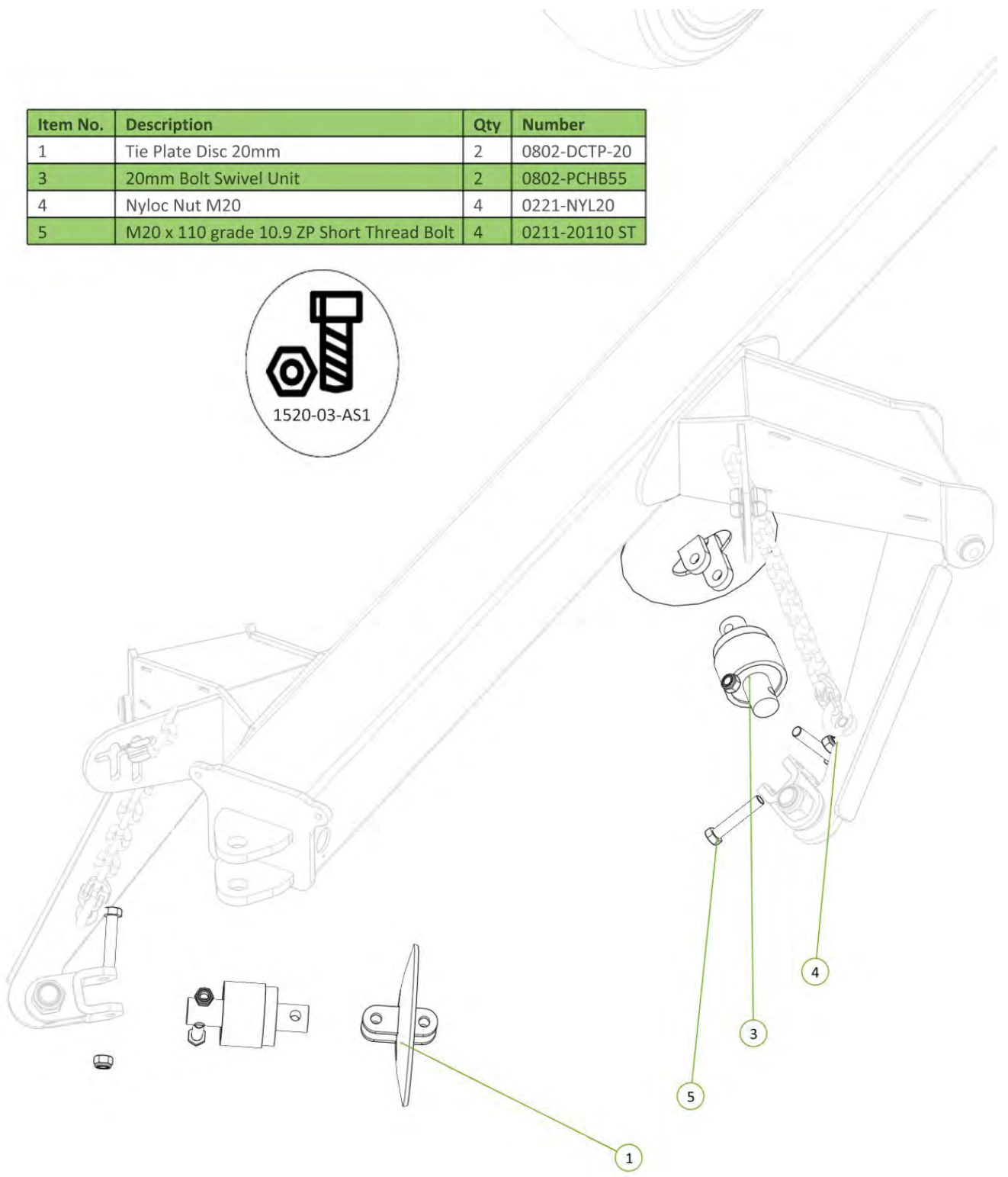
Item No.	Description	Qty	Number
1	20mm Bolt Swivel Unit	2	0802-PCHB55
2	Tie Plate Disc 20mm	2	0802-DCTP-20
3	M20 x 110 grade 10.9 ZP Short Thread Bolt	4	0211-20110 ST
4	Nyloc Nut M20	4	0221-NYL20



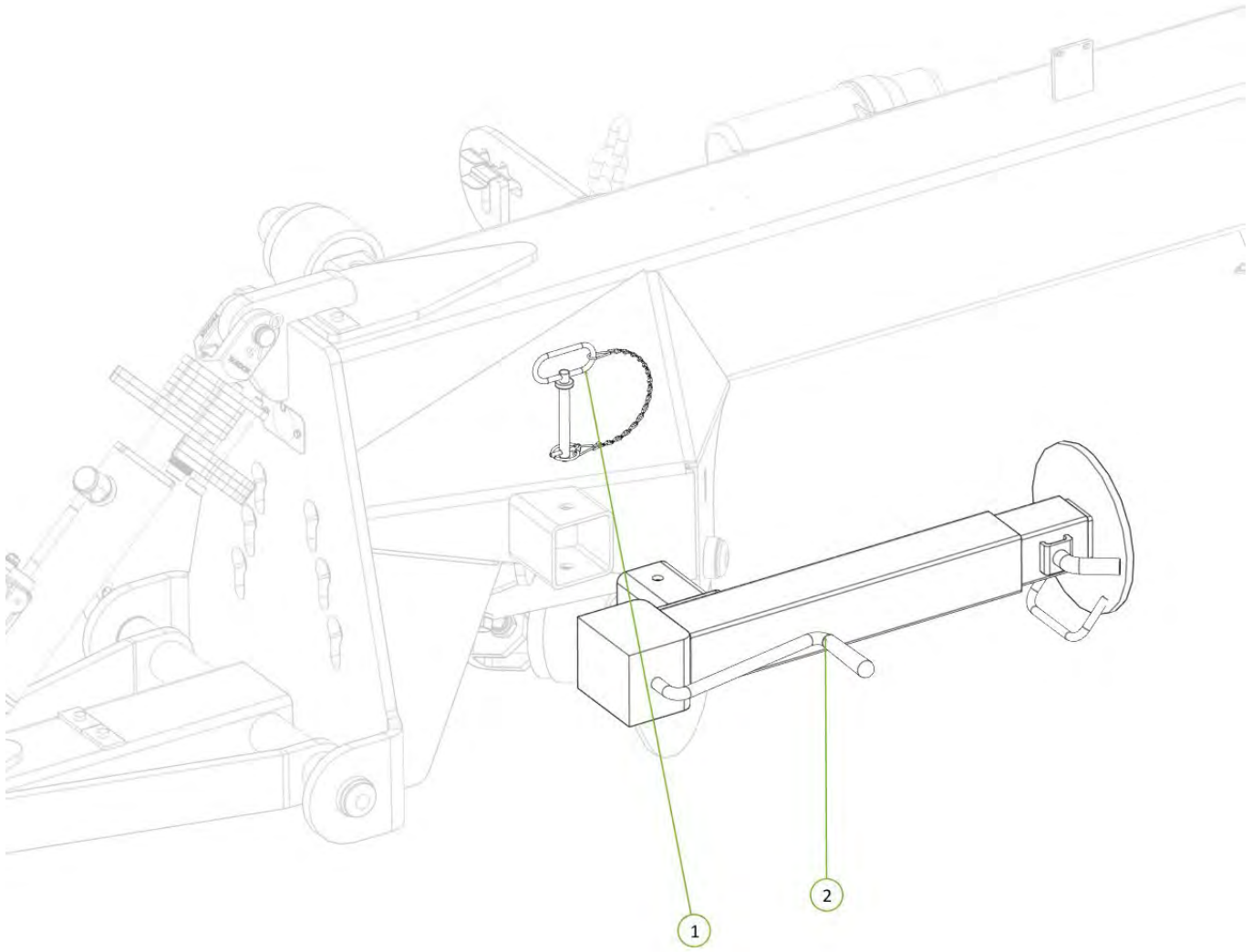
Item No.	Description	Qty	Number
1	20mm Swivel Bearing unit	2	0802-PCHB55
2	M20 x 110 grade 10.9 ZP Short Thread Bolt	4	0211-20110 ST
3	Nyloc Nut M20	4	0221-NYL20
4	Tie Plate Disc 20mm	2	0802-DCTP-20



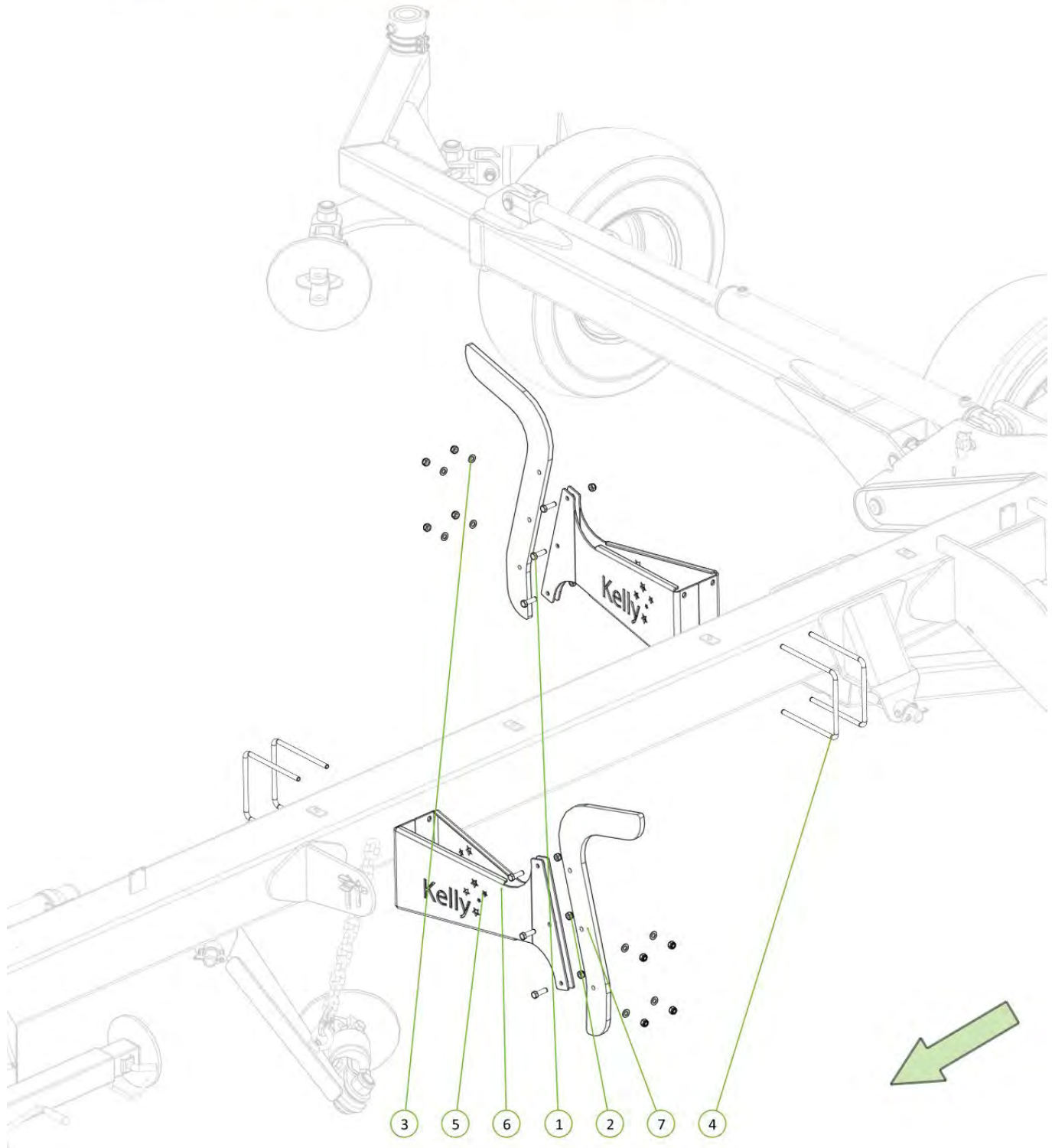
Item No.	Description	Qty	Number
1	Tie Plate Disc 20mm	2	0802-DCTP-20
3	20mm Bolt Swivel Unit	2	0802-PCHB55
4	Nyloc Nut M20	4	0221-NYL20
5	M20 x 110 grade 10.9 ZP Short Thread Bolt	4	0211-20110 ST



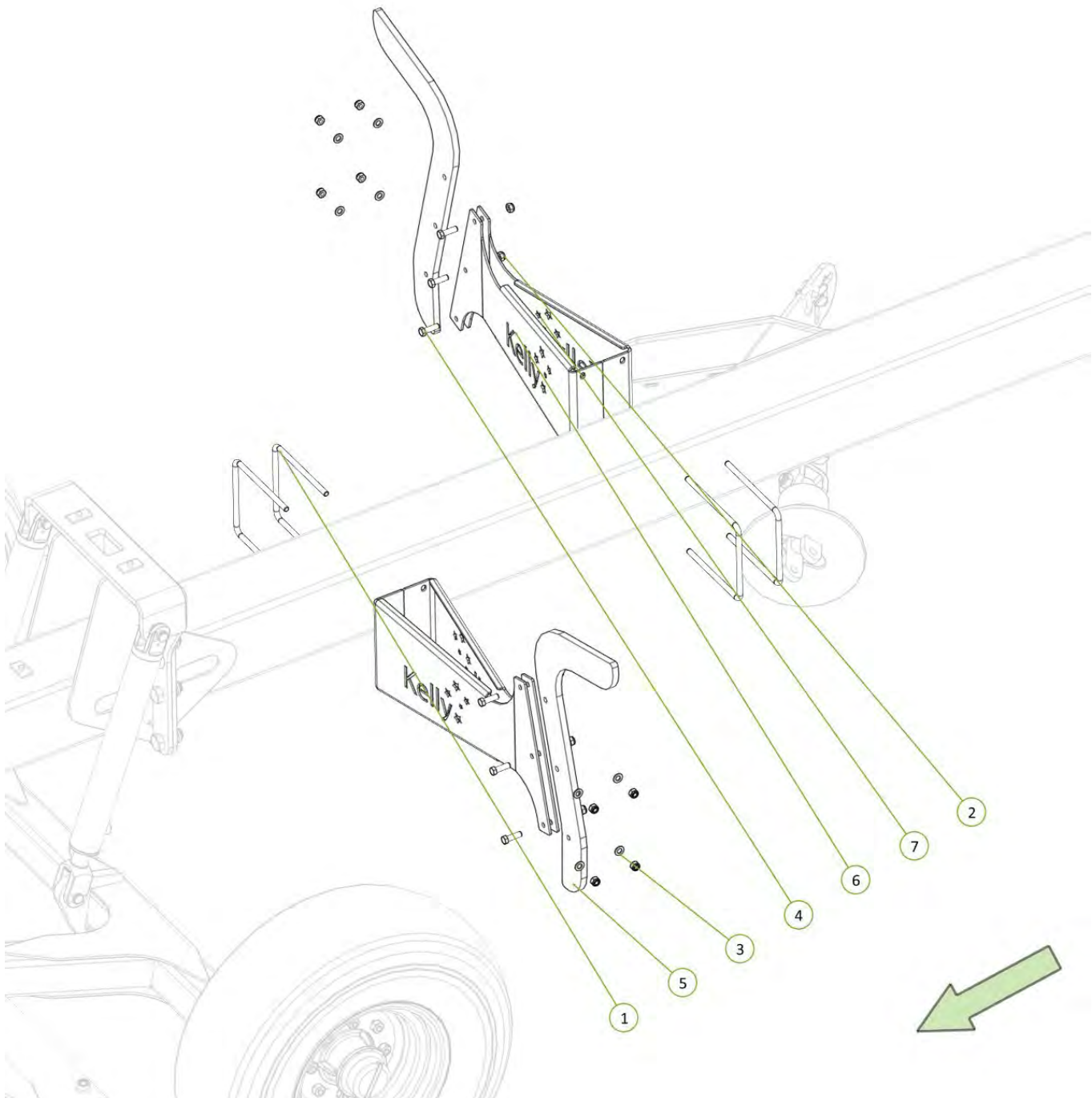
Item No.	Description	Qty	Number
1	Jack Pin	1	0801-B3077
2	3 Tonne Drop Leg Jack & Mounting assy	1	0801-JACK3T

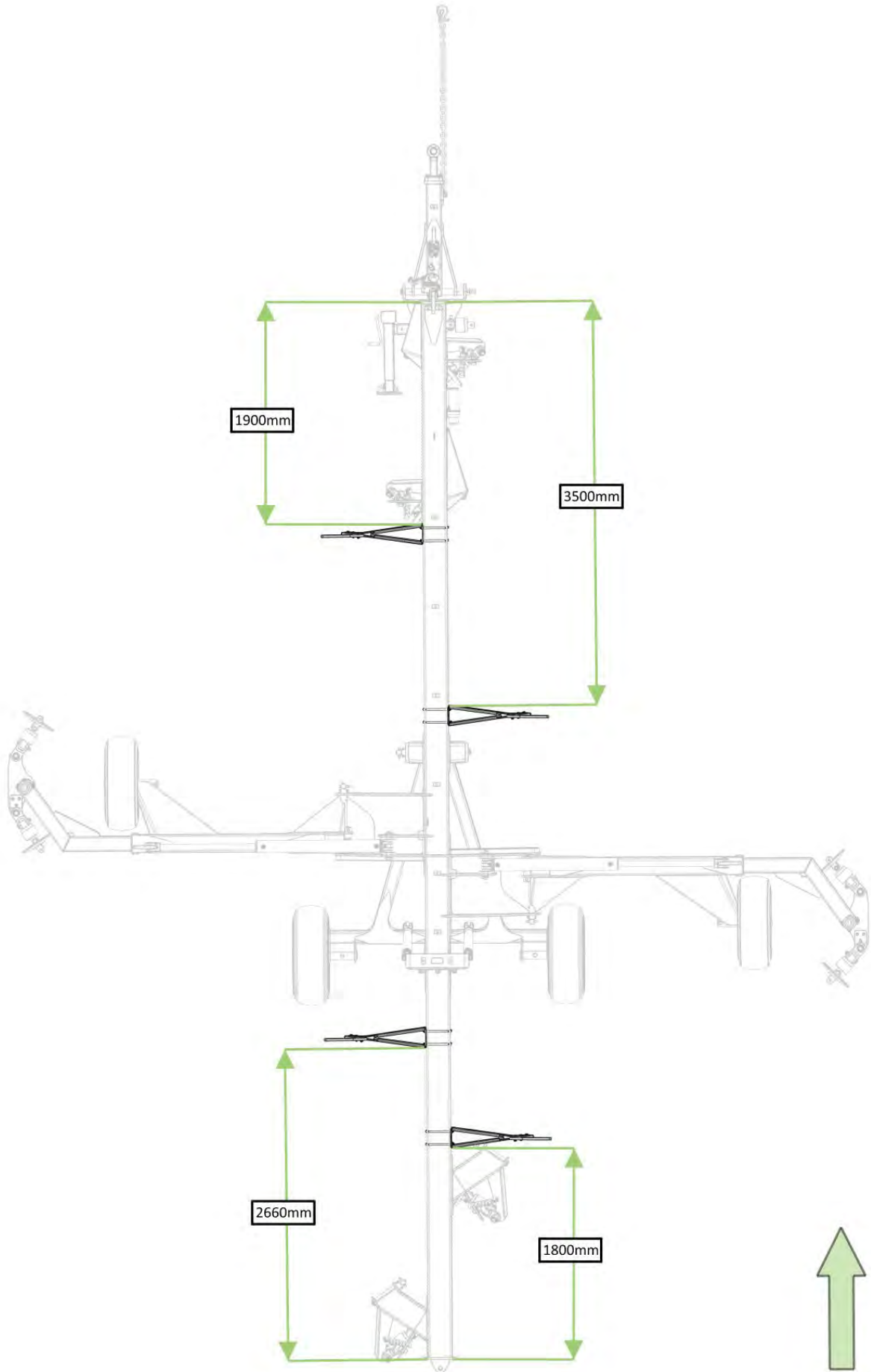


Item No.	Description	Qty	Number
1	M12 x 40 grade 8.8 ZP Bolt	6	0211-1240
2	Nyloc Nut M12	14	0221-NYL12
3	Washer Flat M12	8	0231-F12
4	U-Bolt M12 x 225 Deep x 202 Wide	4	0271-12225202
5	Chain Carrier Web LH Side	2	1500-086
6	Chain Carrier Web RH Side	2	1500-085
7	Chain Catch 6M	2	1500-084



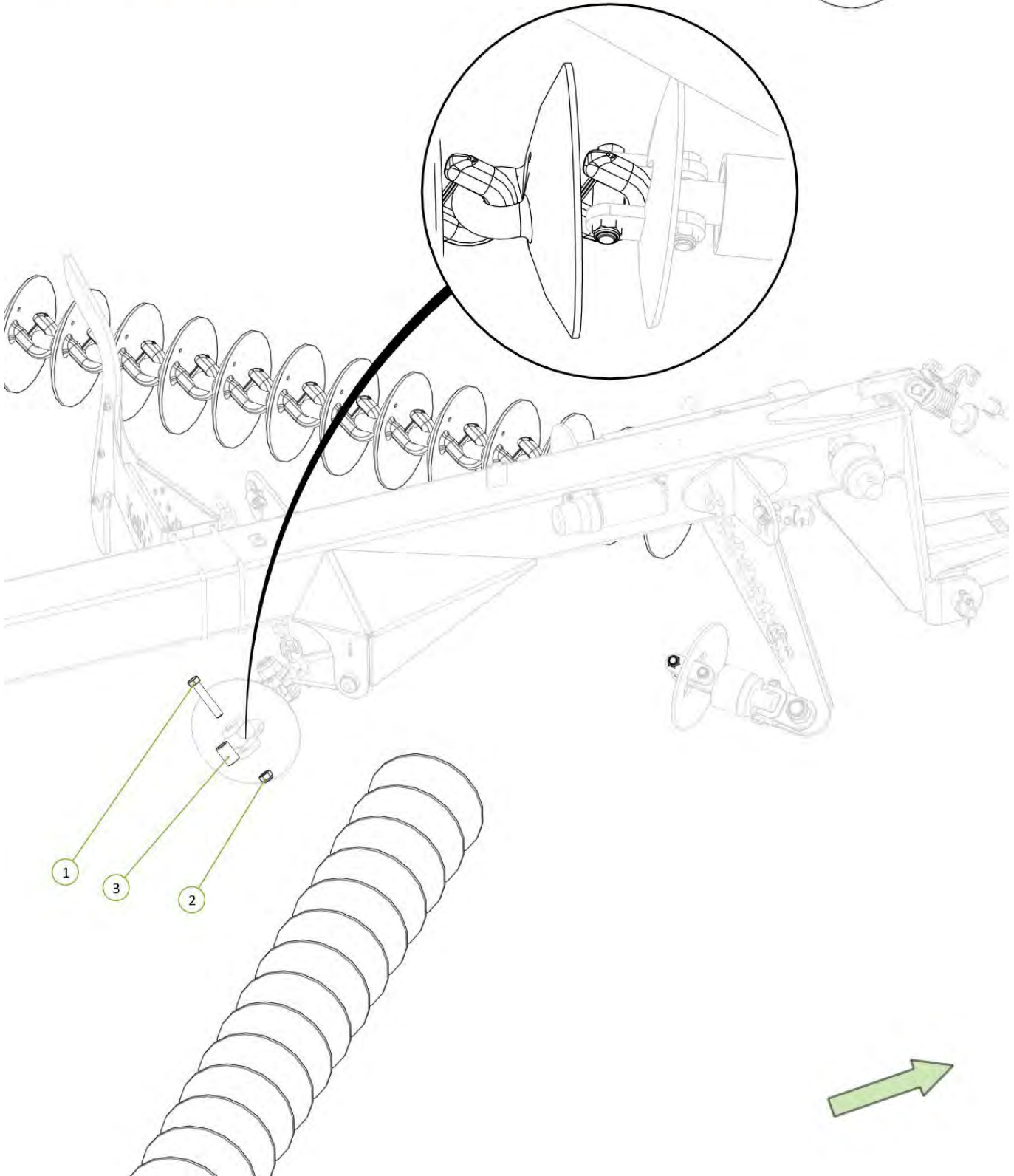
Item No.	Description	Qty	Number
1	U-Bolt M12 x 225 Deep x 202 Wide	4	0271-12225202
2	Nyloc Nut M12	14	0221-NYL12
3	Washer Flat M12	8	0231-F12
4	M12 x 40 grade 8.8 ZP Bolt	6	0211-1240
5	Chain Catch 6M	2	1500-084
6	Chain Carrier Web RH Side	2	1500-085
7	Chain Carrier Web LH Side	2	1500-086



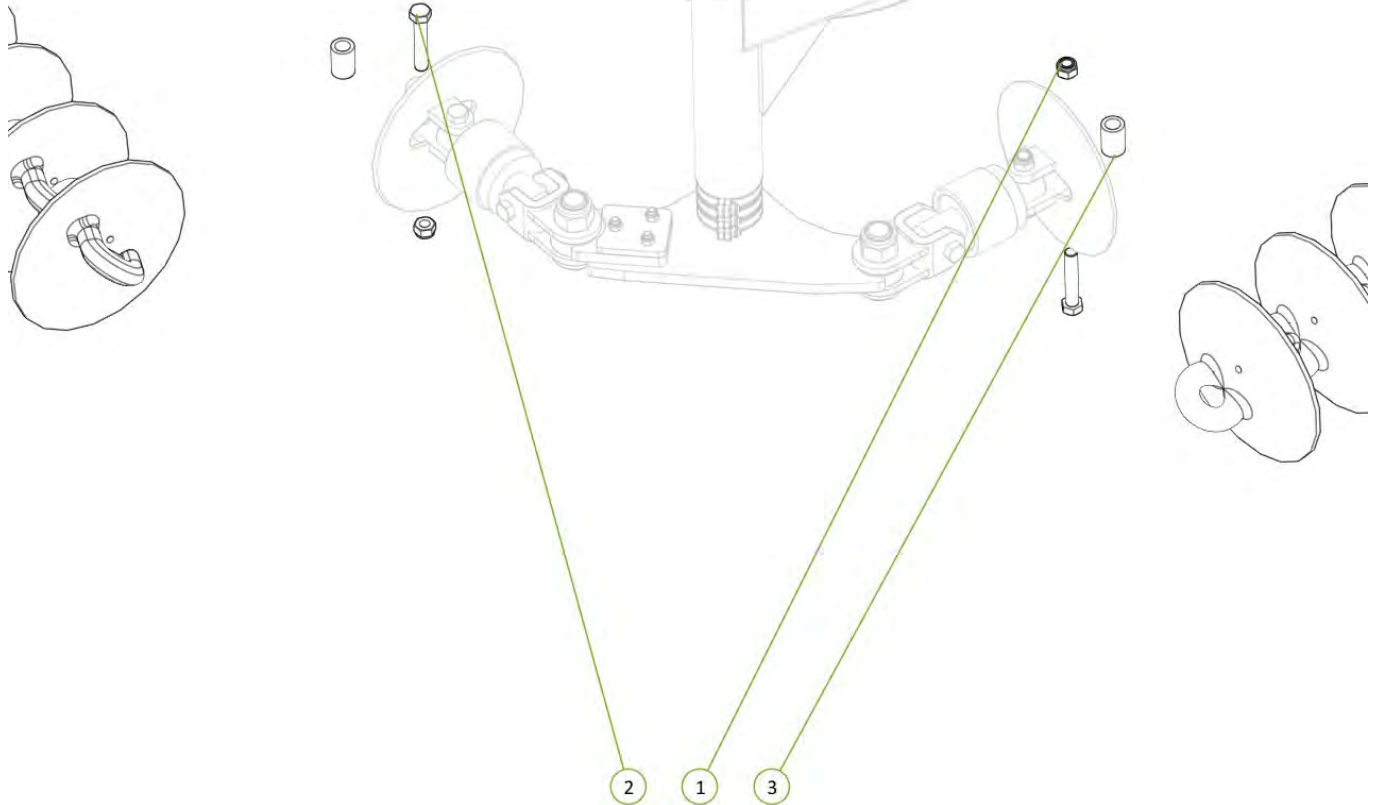




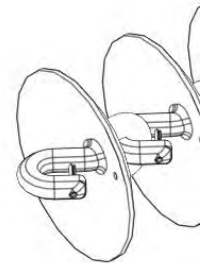
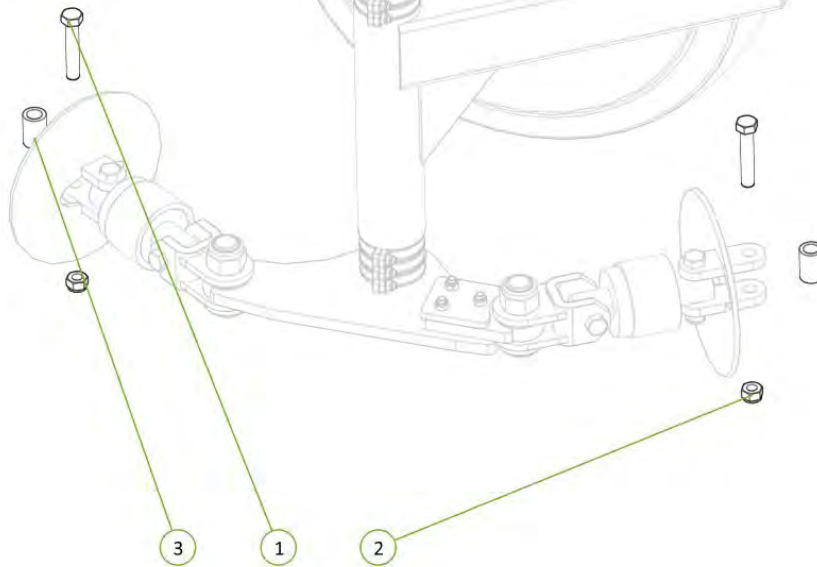
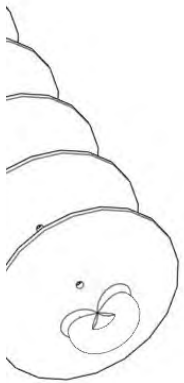
Item No.	Description	Qty	Number
1	M20 x 110 grade 10.9 ZP Short Thread Bolt	2	0211-20110 ST
2	Nyloc Nut M20	2	0221-NYL20
3	Disc Chain Spacer	2	0801-PCDCS55



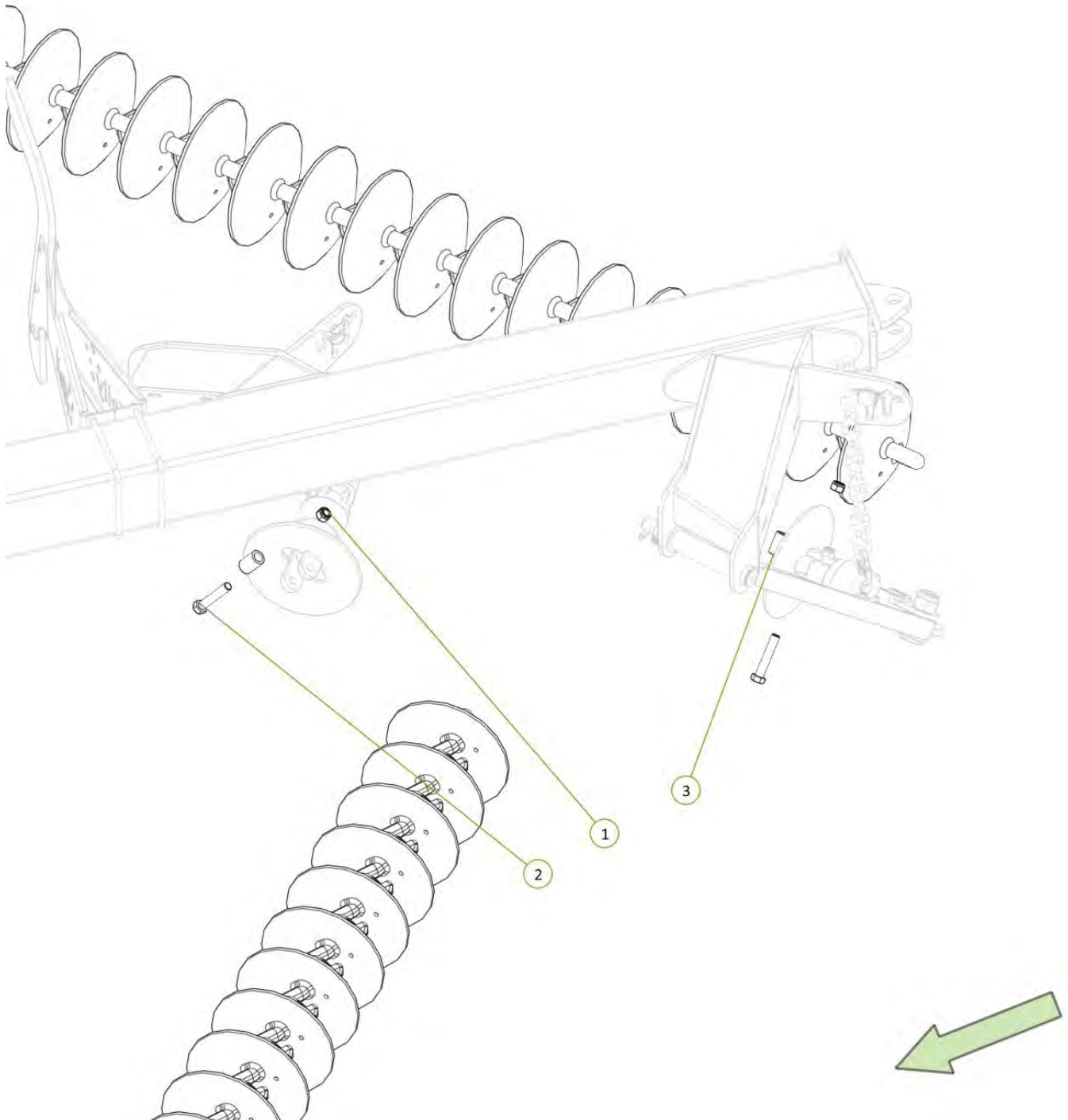
Item No.	Description	Qty	Number
1	Nyloc Nut M20	2	0221-NYL20
2	M20 x 110 grade 10.9 ZP Short Thread Bolt	2	0211-20110 ST
3	Disc Chain Spacer	2	0801-PCDCS55



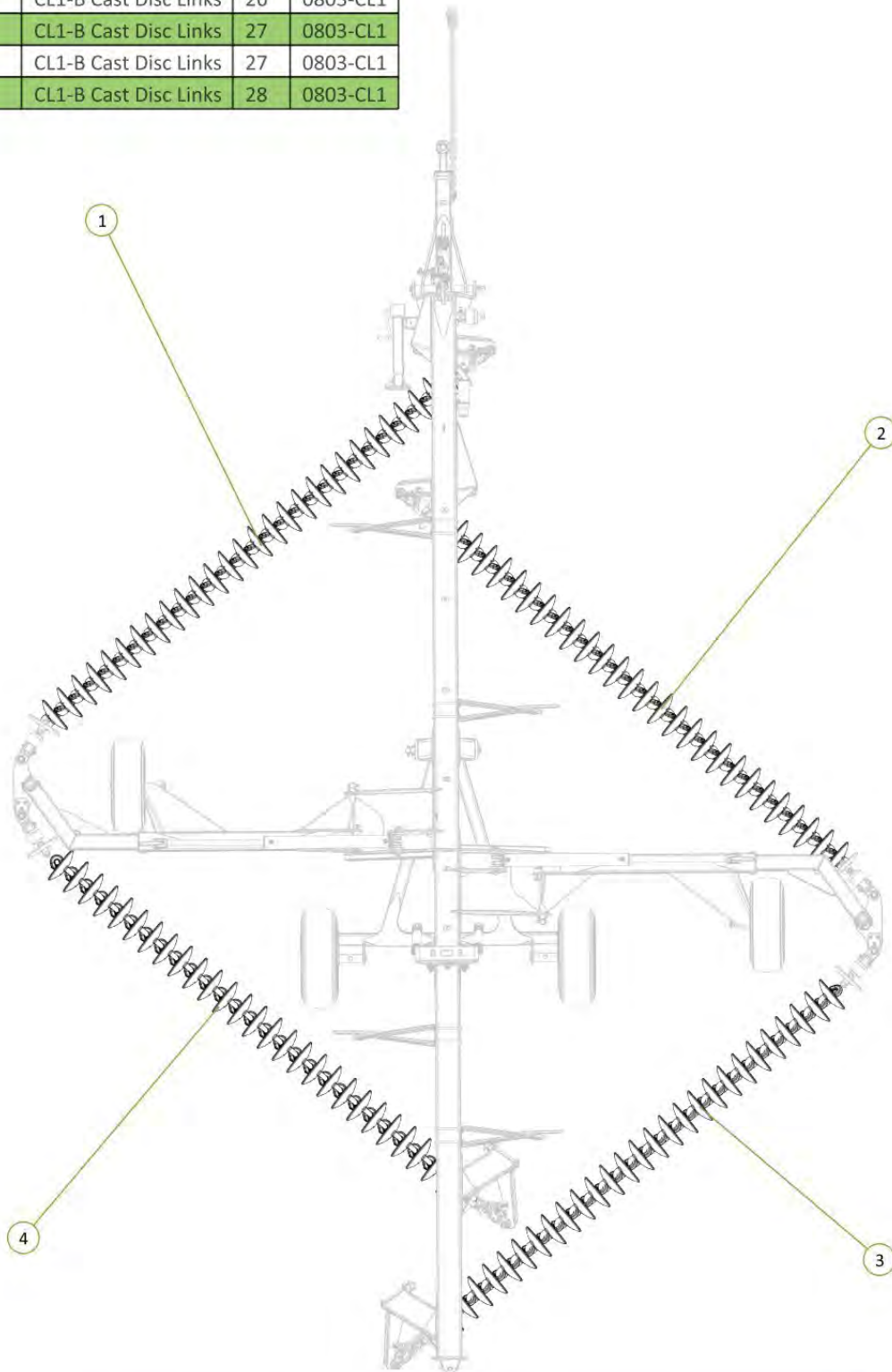
Item No.	Description	Qty	Number
1	M20 x 110 grade 10.9 ZP Short Thread Bolt	2	0211-20110 ST
2	Nyloc Nut M20	2	0221-NYL20
3	Disc Chain Spacer	2	0801-PCDCS55



Item No.	Description	Qty	Number
1	Nyloc Nut M20	2	0221-NYL20
2	M20 x 110 grade 10.9 ZP Short Thread Bolt	2	0211-20110 ST
3	Disc Chain Spacer	2	0801-PCDCS55



Item No.	Description	Qty	Number
1	CL1-B Cast Disc Links	26	0803-CL1
2	CL1-B Cast Disc Links	27	0803-CL1
3	CL1-B Cast Disc Links	27	0803-CL1
4	CL1-B Cast Disc Links	28	0803-CL1



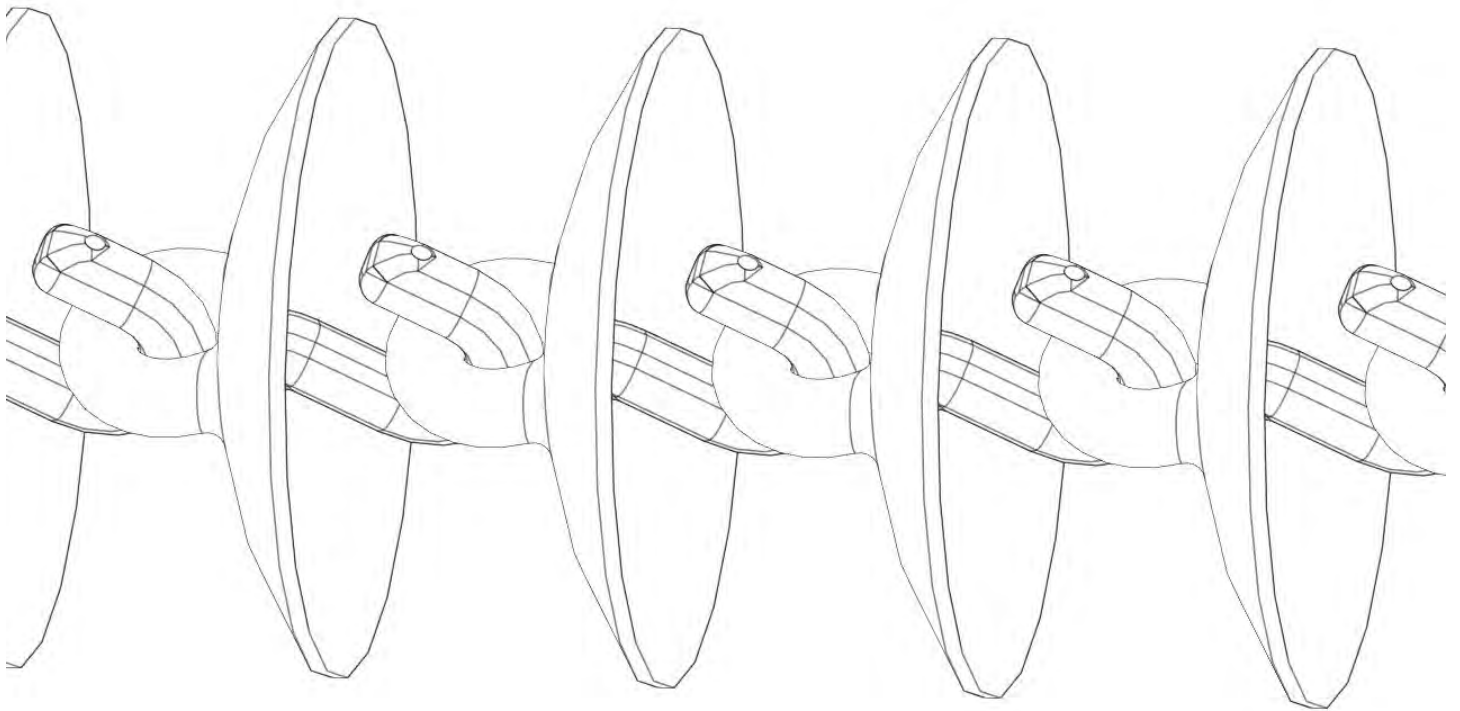
Chain lengths are only a guide, after first use we recommend you retension the chain and take out links accordingly.



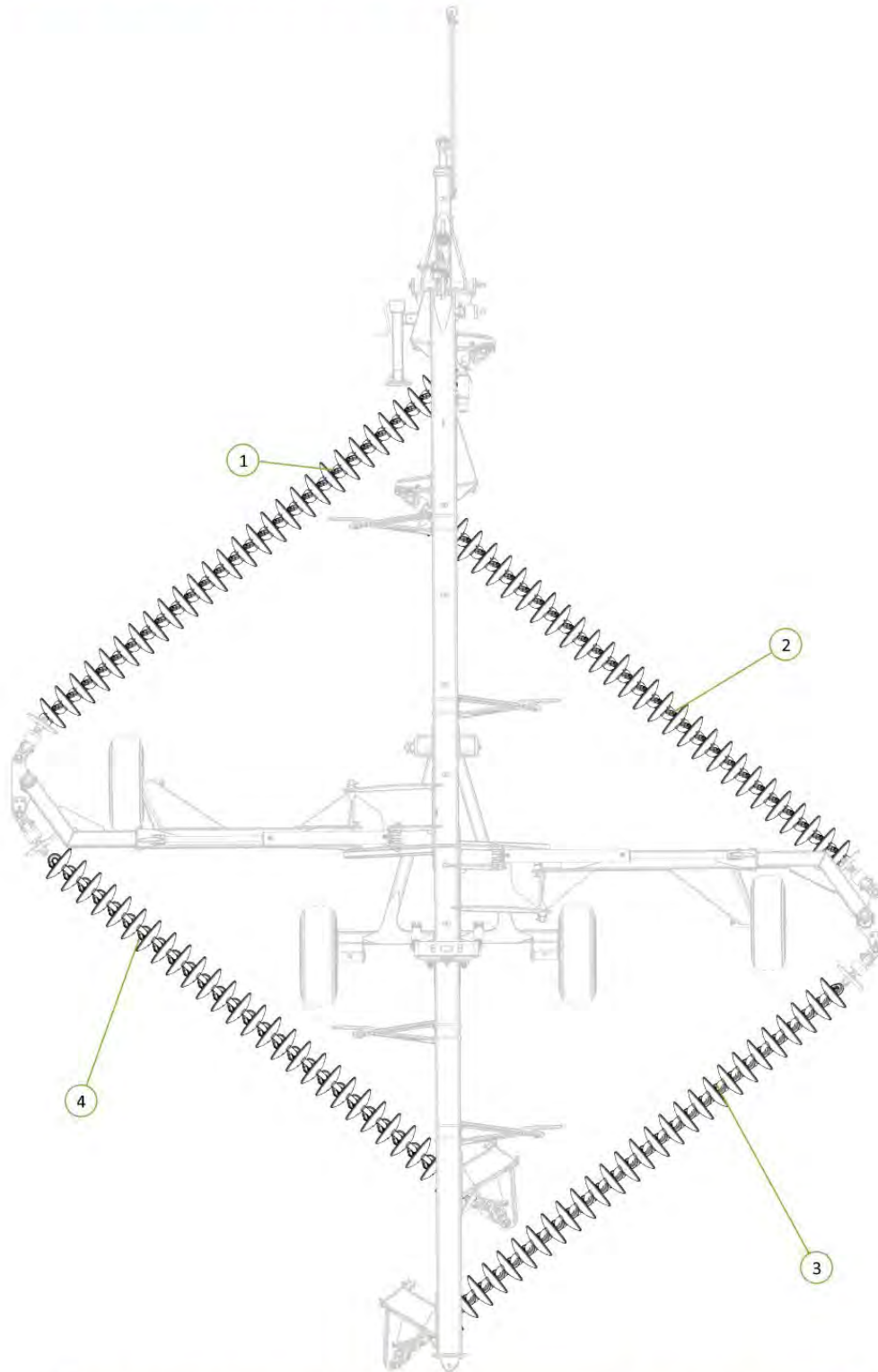


Use Hammer to insert roll pins, to prevent chain becoming un-linked

To remove  
Bend protruding roll pin sideways and drive roll pin through hook hole



Item No.	Description	Qty	Number
1	Roll Pin Zinc Plated 3/8" x 3"	27	0262-3-8X3
2	Roll Pin Zinc Plated 3/8" x 3"	27	0262-3-8X3
3	Roll Pin Zinc Plated 3/8" x 3"	27	0262-3-8X3
4	Roll Pin Zinc Plated 3/8" x 3"	28	0262-3-8X3

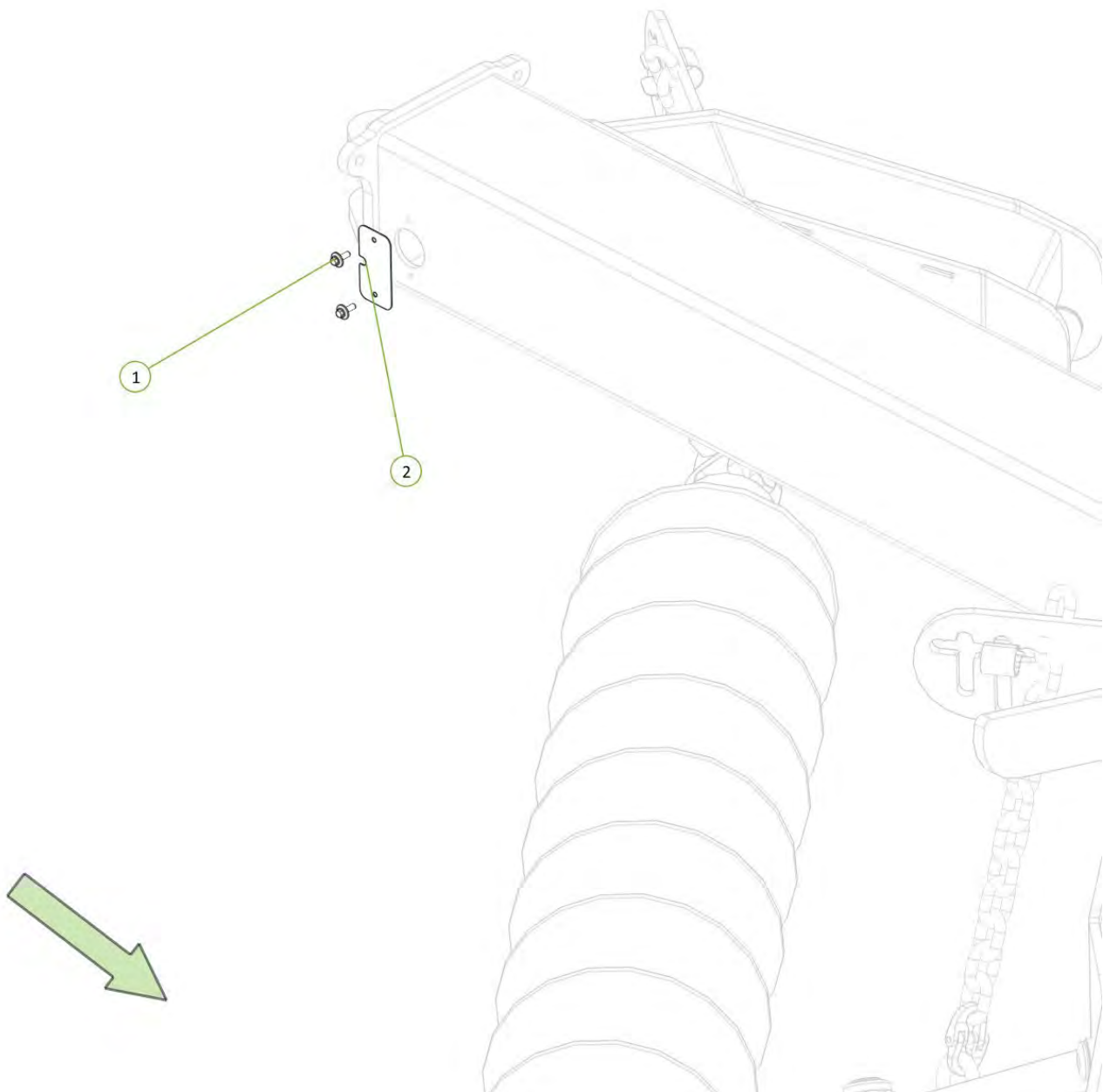


Chain lengths are only a guide, after first use we recommend you retension the chain and take out links accordingly.

Item No.	Description	Qty	Number
1	M6 x 20mm Trilobe Screw	2	0211-M620MZPHTF
2	Wiring Capping Plate	1	1500-122



On machines with lights, leave wiring capping plate loose until wiring is fed through main frame.



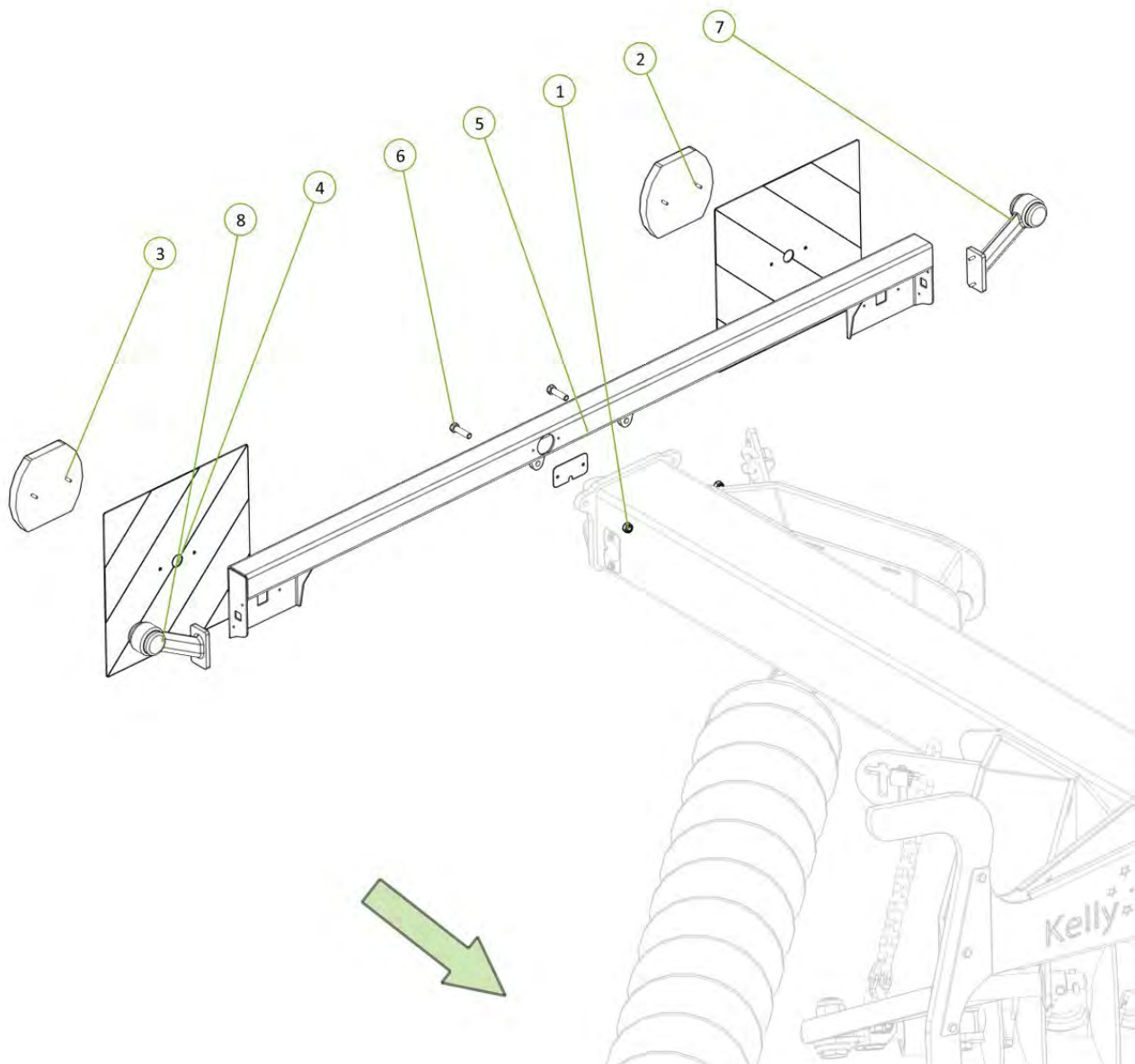


Item No.	Description	Qty	Number
1	Nyloc Nut M12	2	0221-NYL12
2	LED Combination Tail Light Left	1	0412-EU195L
3	LED Combination Tail Light Right	1	0412-EU195R
4	EU Oversize sign 6m rear	2	1501-EUOS
5	Sign and Light Bar	1	1510-27
6	M12 x 45 grade 8.8 ZP Bolt	2	0211-1245
7	Rubber Side Marker Lamp	1	0412-1004L
8	Rubber Side Marker Lamp	1	0412-1004R



Lights are only required for some countries, please adhere to your local standards in regards to lighting and signage.

On machines with lights, leave wiring capping loose until wiring is fed through main frame.



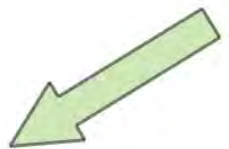
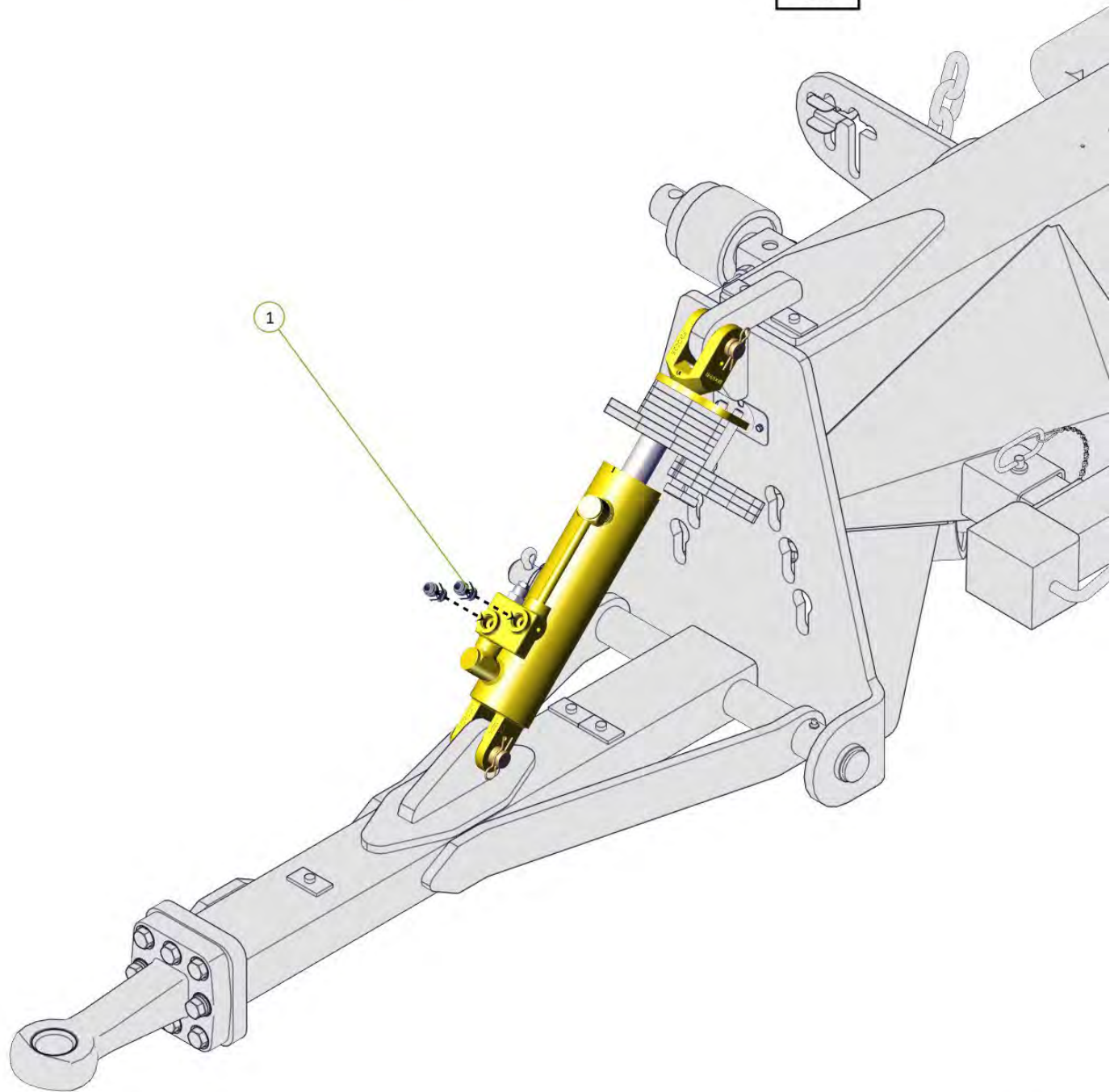
# Section 3

## Hydraulics

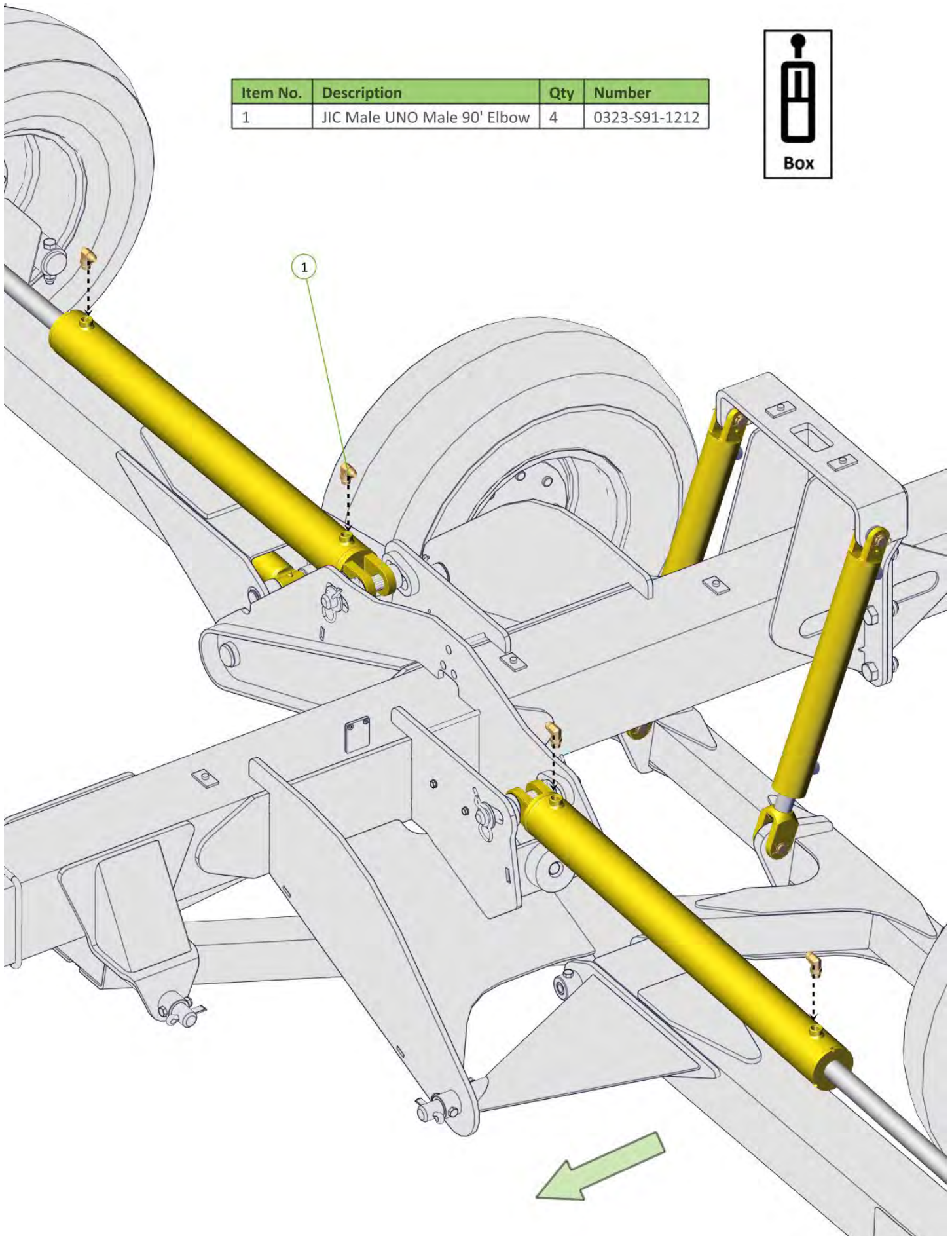
**Please Note -**

**The black hose/s identifies  
the current assembly step**

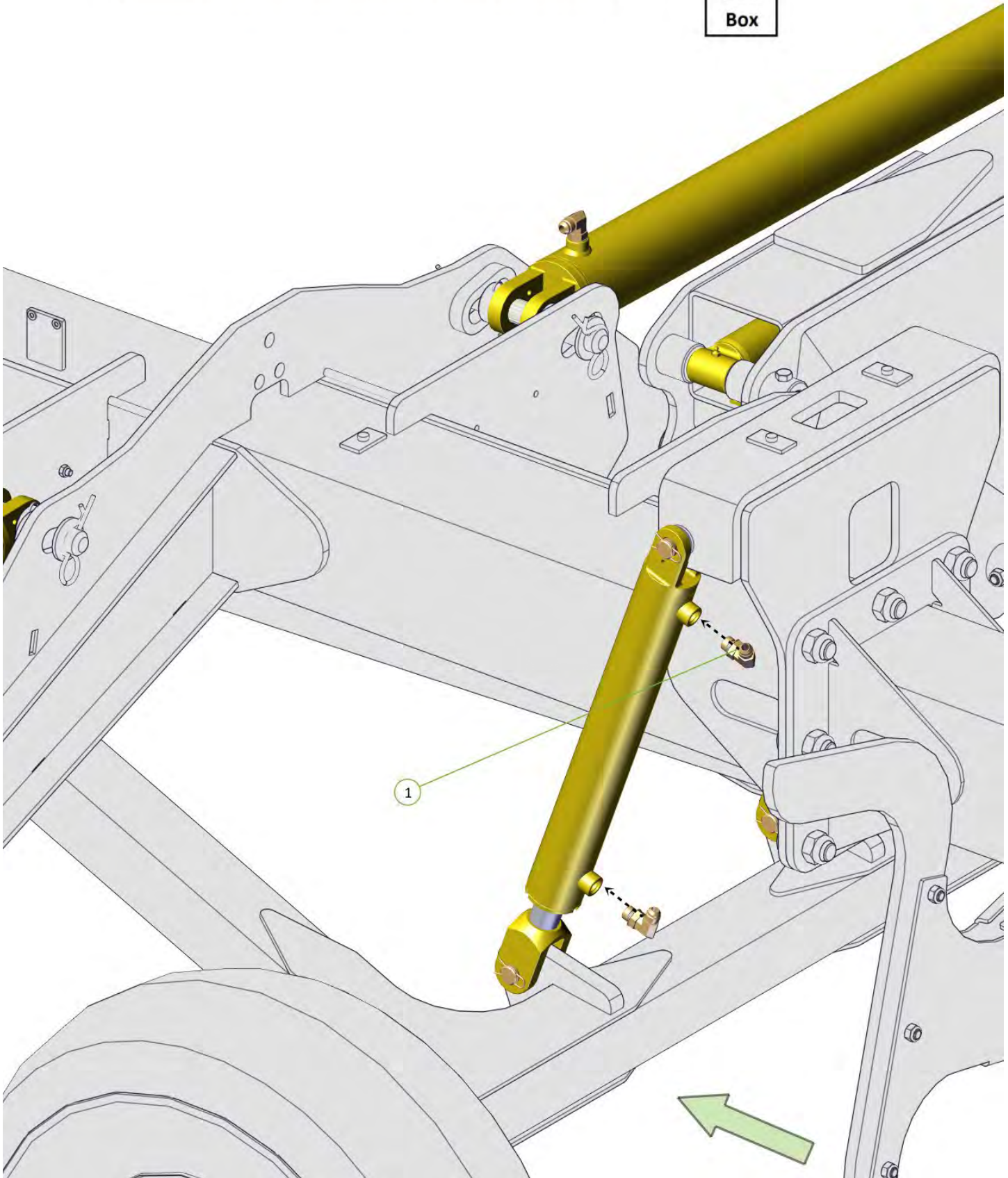
Item No.	Description	Qty	Number
1	JICM UNOM NIPPLE	2	0323-S90-1212



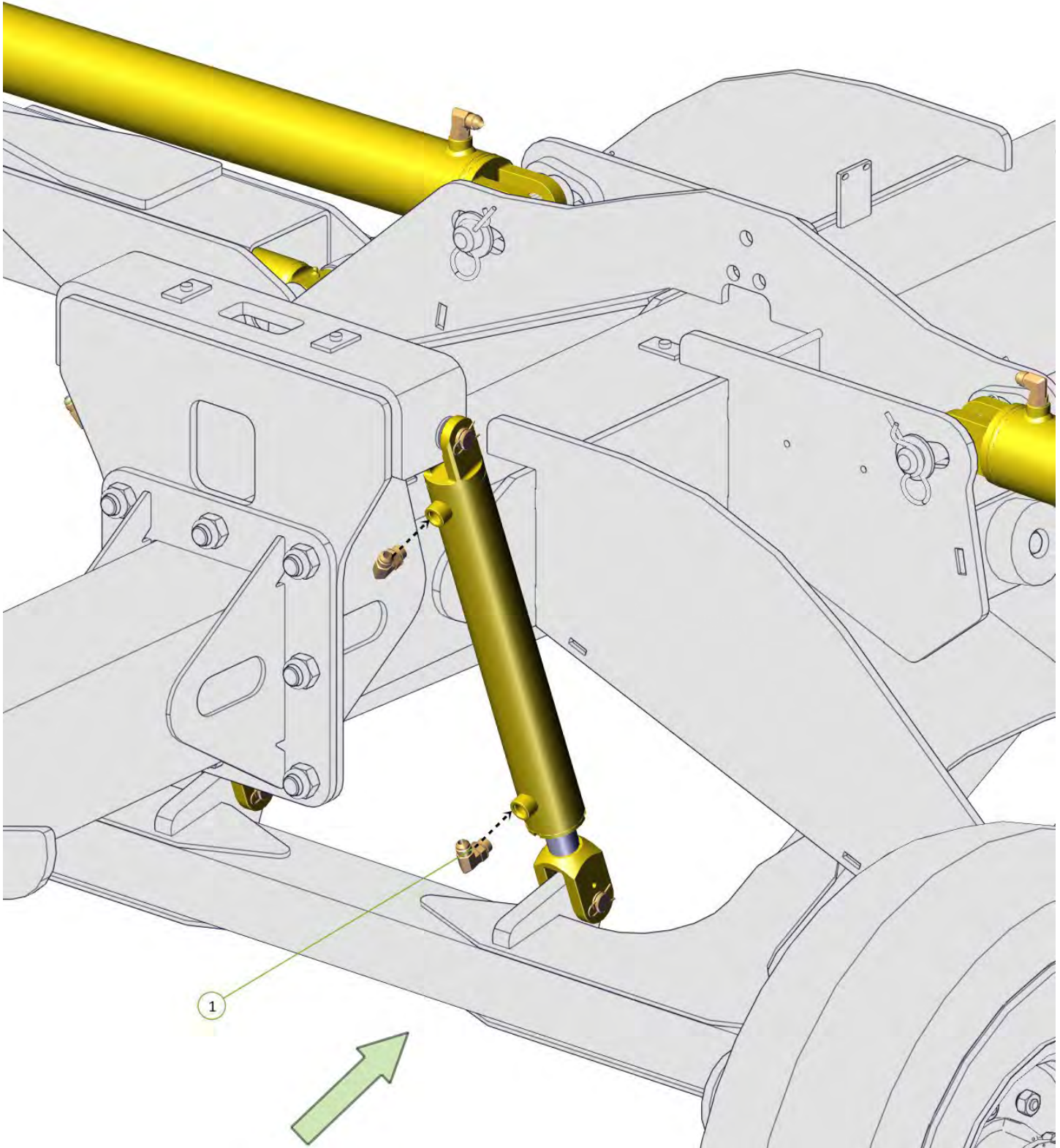
Item No.	Description	Qty	Number
1	JIC Male UNO Male 90' Elbow	4	0323-S91-1212

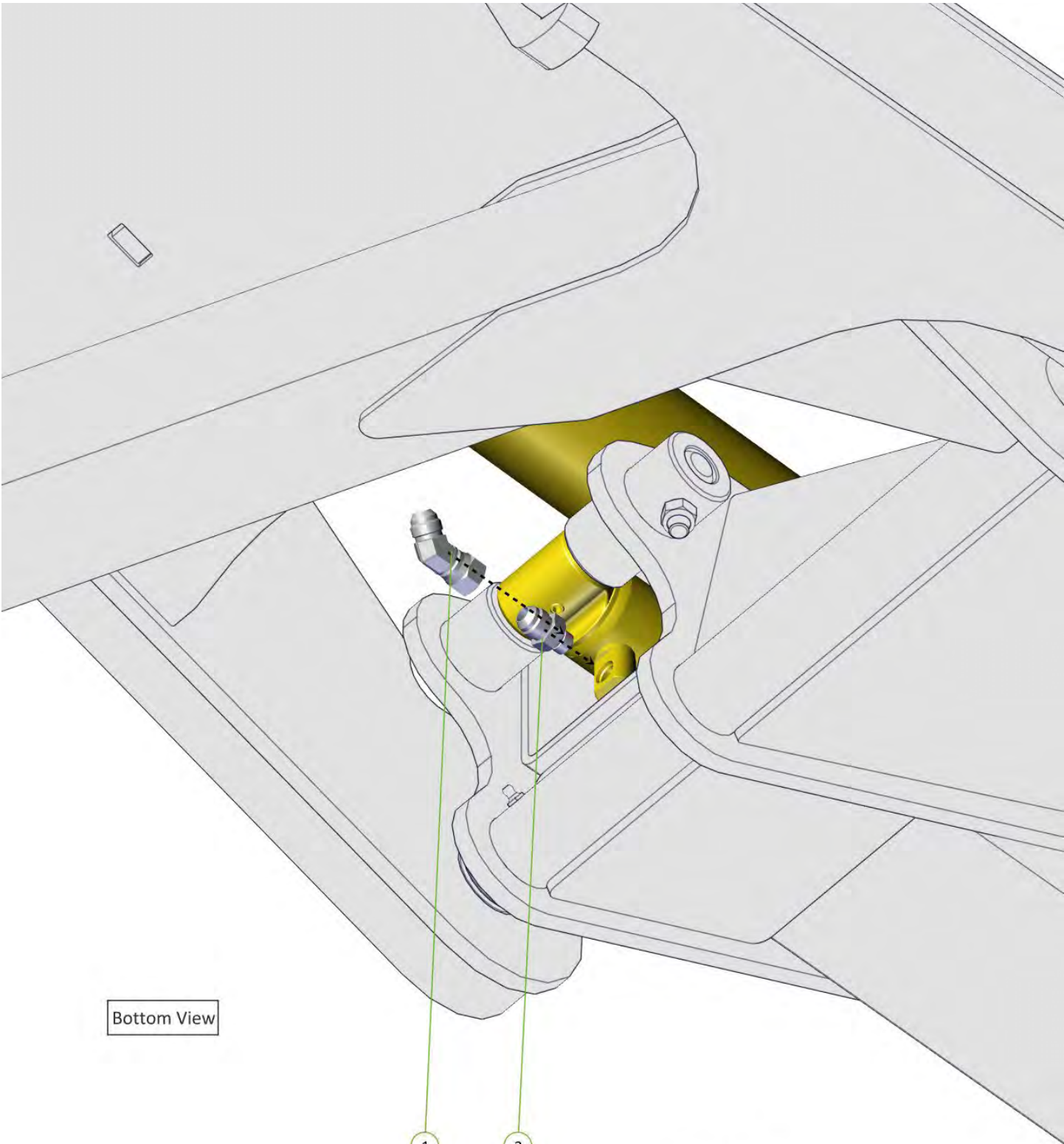


Item No.	Description	Qty	Number
1	JIC Male UNO Male 90° Elbow	2	0323-S91-1212



Item No.	Description	Qty	Number
1	JIC Male UNO Male 90° Elbow	2	0323-S91-1212





Bottom View

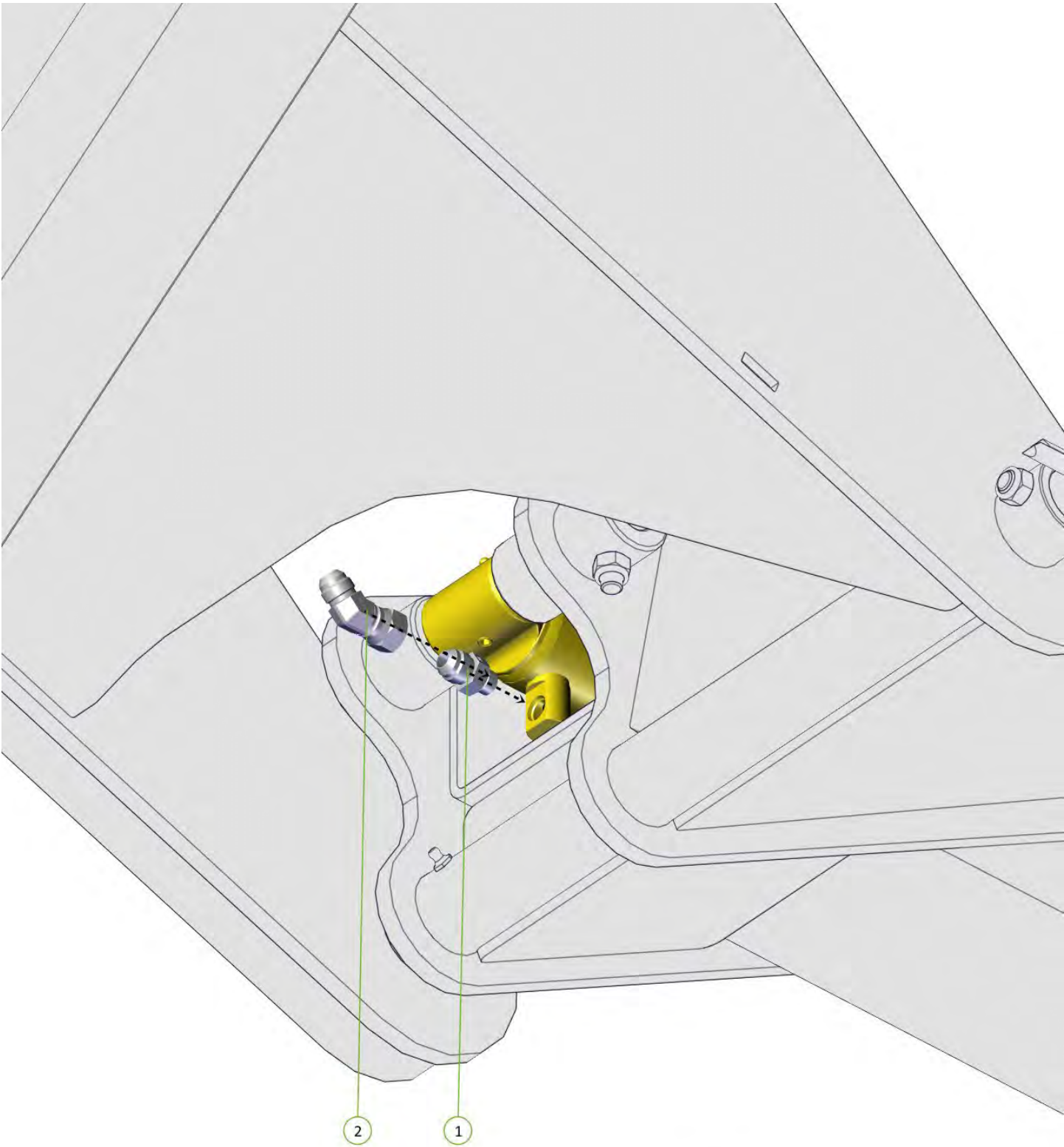
1

2

Item No.	Description	Qty	Number
1	JICM JICFS 45' ELBOW	1	0323-S23-1212
2	JICM UNOM NIPPLE	1	0323-S90-1209







Item No.	Description	Qty	Number
1	JICM UNOM NIPPLE	1	0323-S90-1209
2	JICM JICFS 45' ELBOW	1	0323-S23-1212



Item No.	Description	Qty	Number
1	M6 x 1 x 85mm Grade 4.6 ZP Bolt	2	0211-685
2	Nyloc Nut M6	2	0221-NYL6
3	BSPP O Ring Male Jic Male Nipple	4	0323-S74-0812
4	Ball Valve BSPP 1/2"	2	0341-RL20SH-0808

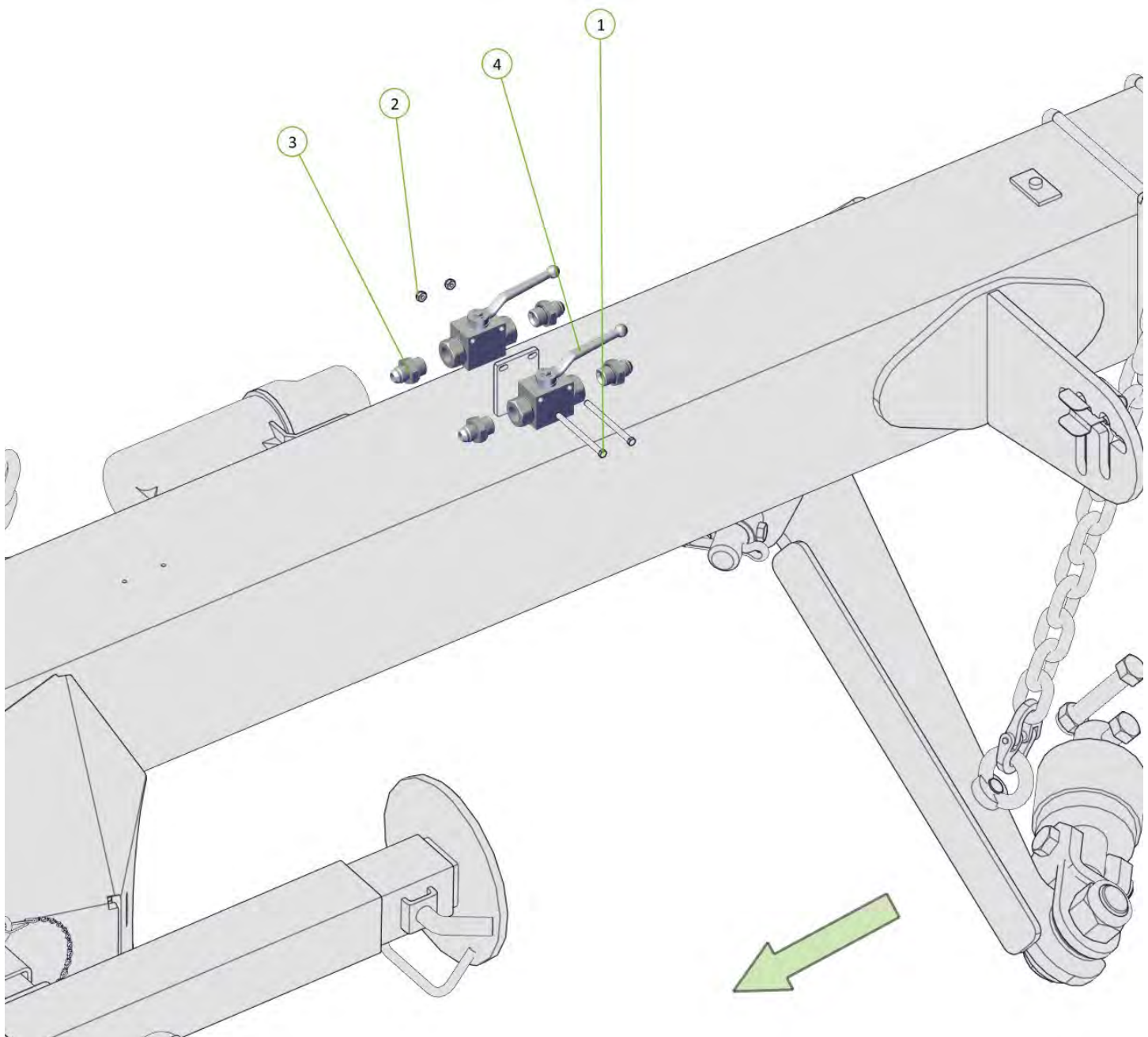
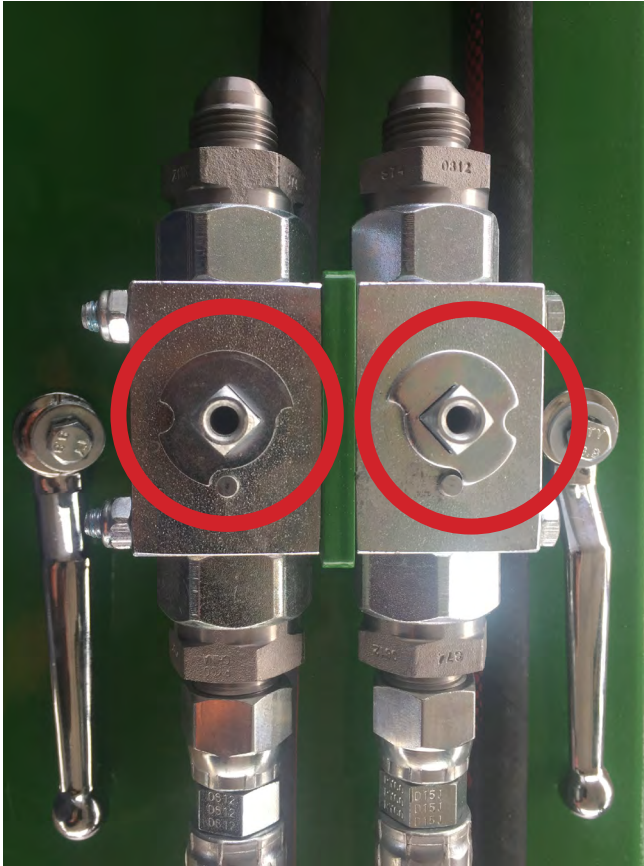


Image 1



## Please Note -

1. Unbolt tap handle from tap (as seen in image 1).
2. Flip one plate over so they are a mirror image (as seen in image 1).
3. Bolt tap handle back in original position (as seen in image 2)
4. Correct fitment will ensure taps are closed when both facing outwards on the machine (as seen in image 3).

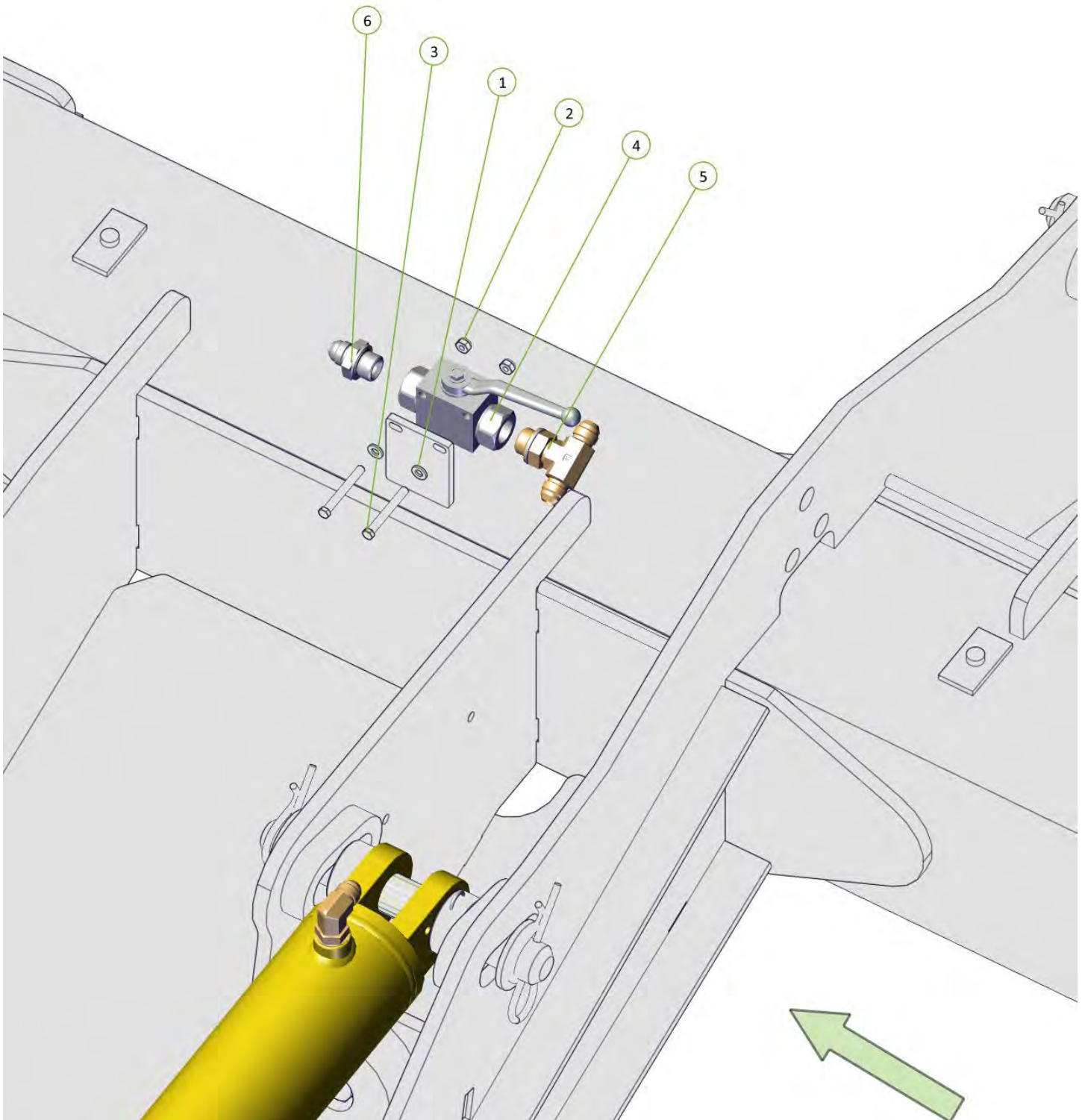
Image 2



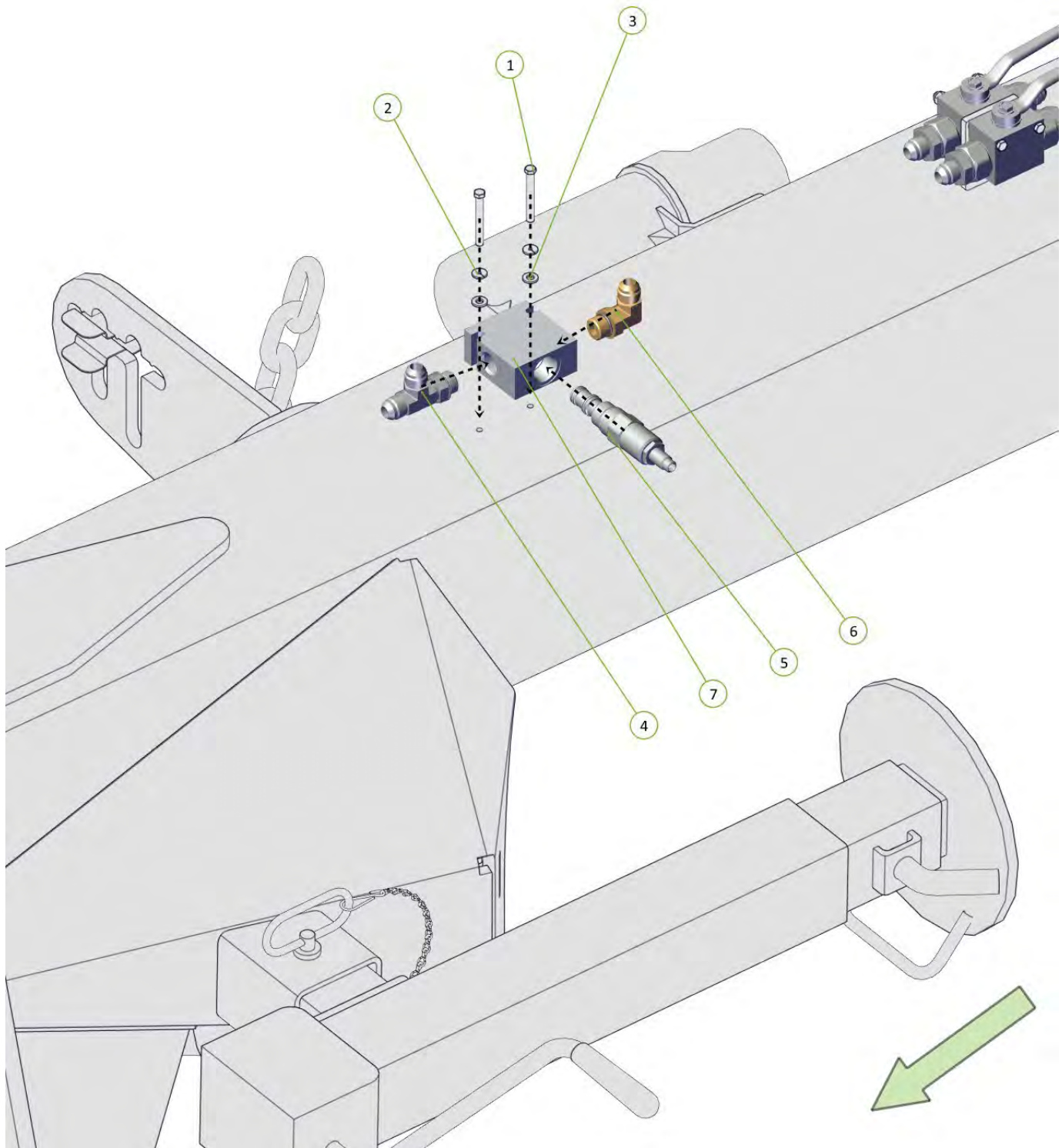
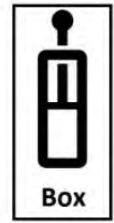
Image 3



Item No.	Description	Qty	Number
1	Washer Flat M6	2	0231-F6
2	Nyloc Nut M6	2	0221-NYL6
3	M6 x 1 x 50mm Grade 4.6 ZP Bolt	2	0211-650
4	Ball Valve BSPP 1/2"	1	0341-RL20SH-0808
5	JICM JICM BSPPOM TEE	1	0324-S79-121208
6	BSPP O Ring Male Jic Male Nipple	1	0323-S74-0812



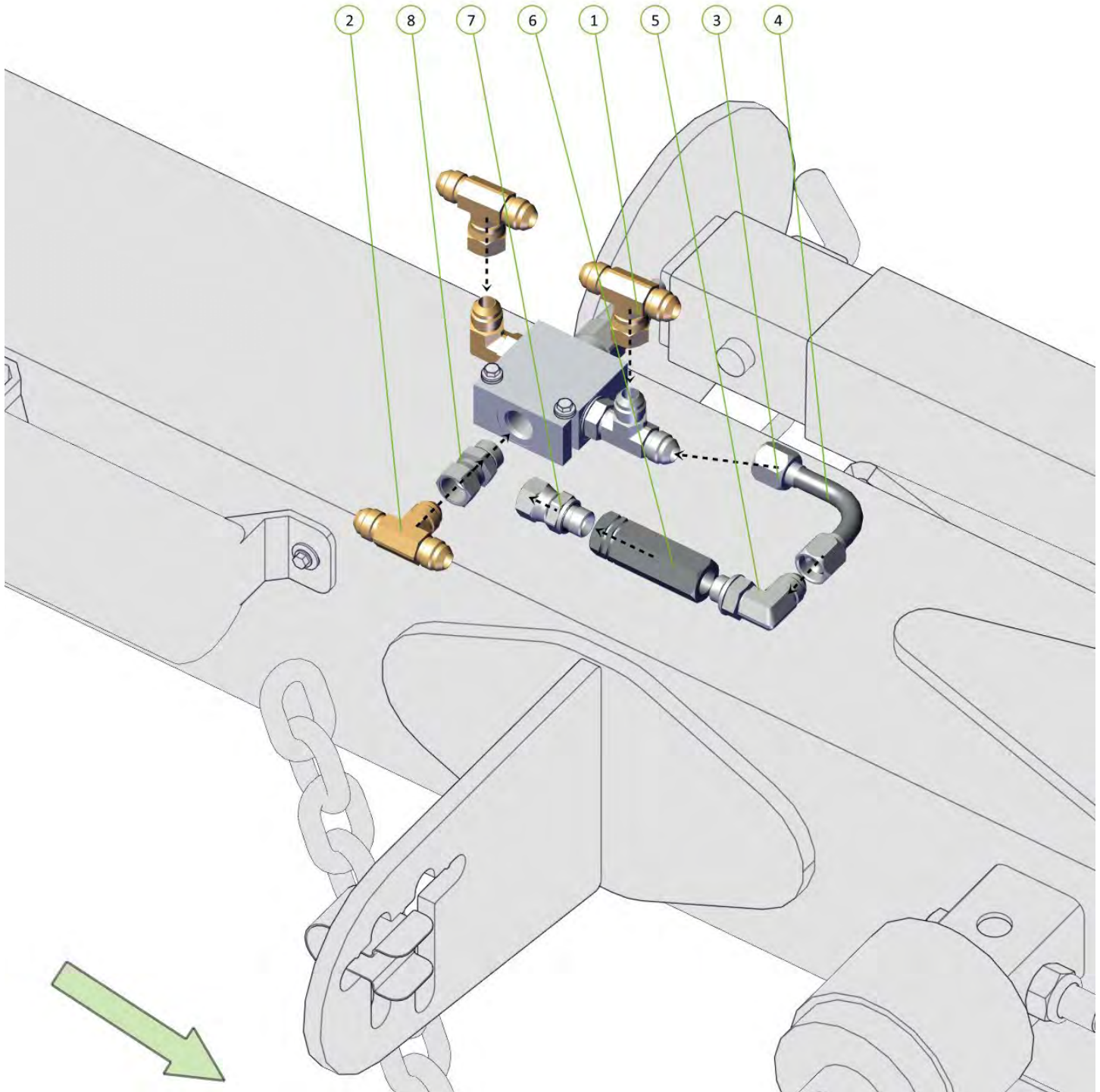
Item No.	Description	Qty	Number
1	M6 x 1 x 50mm Grade 4.6 ZP Bolt	2	0211-650
2	WASHER SPRING M6	2	0231-S6
3	Washer Flat M6	2	0231-F6
4	JICM UNOM JICM TEE	1	0324-S87-121212
5	Pressure Reducing/Relieving Valve Cartridge	1	0341-PR50-36A0P30
6	JIC Male UNO Male 90' Elbow	1	0323-S91-1212
7	10-Size 3-way Valve Housing	1	0341-7024380



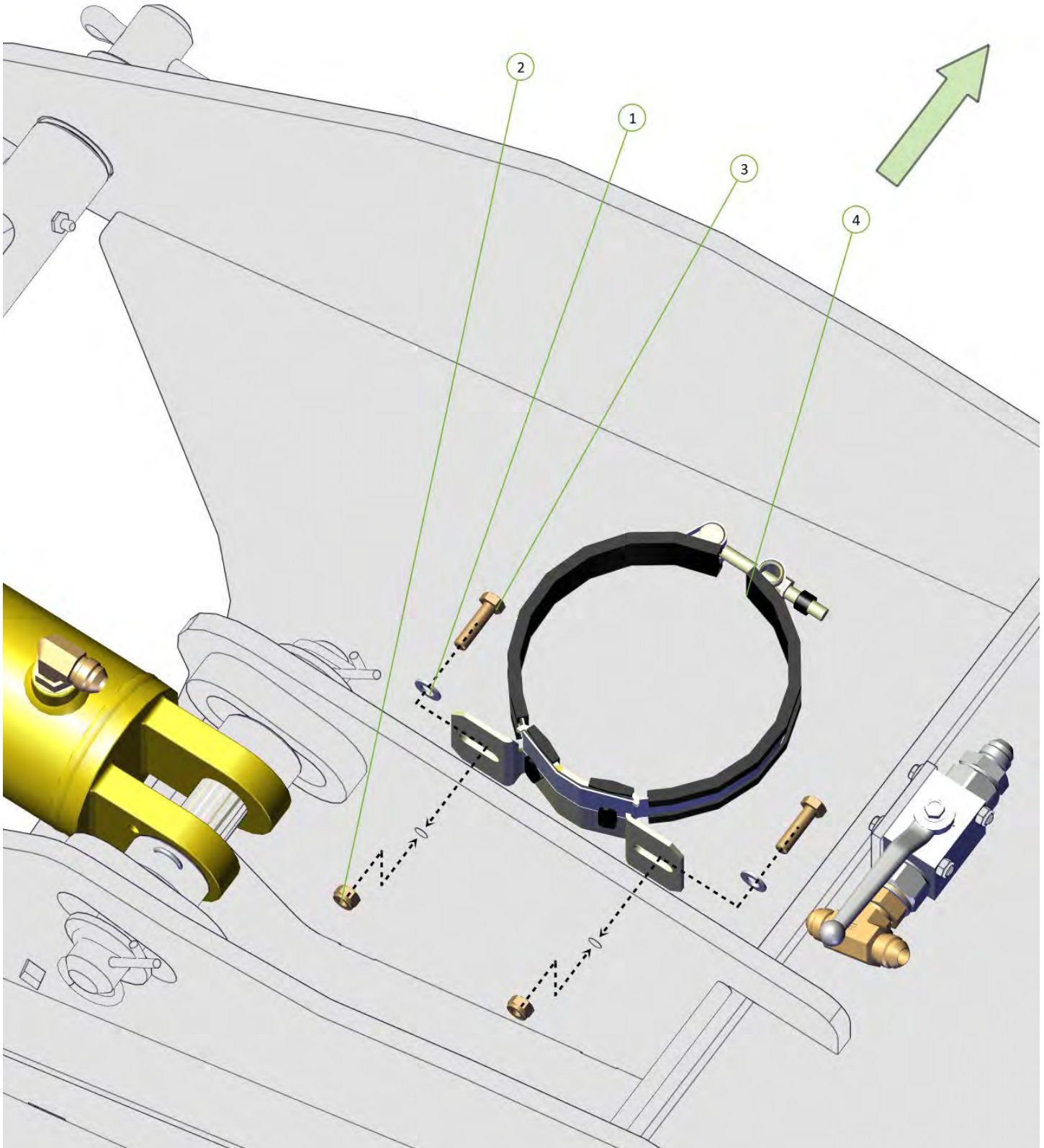
Item No.	Description	Qty	Number
1	JICM JICM JICFS TEE	2	0324-S68-121212
2	JICM JICM JICM TEE	1	0324-S19-121212
3	3/4" JIC Female Nut & Swivel	2	0323-S6-1208
4	ACCUM-VALVE-P2	1	0323-ACCUM-VALVE-P2
5	BSPPO M JICM 90° ELBOW	1	0323-S76-0612
6	3/8" BSP M Port Check Valve	1	0341-RCV-0606
7	BSPPO M JICFS ADAPTOR	1	0323-S71-0612
8	JIC FEMALE UNO RING MALE	1	0323-S101-1212



Please note that the valve system is partly assembled on delivery



Item No.	Description	Qty	Number
1	Washer Flat M8	2	0231-F8
2	Nyloc Nut M8	2	0221-NYL8
3	M8 x 30 grade 8.8 ZP Bolt	2	0211-830
4	HYRAC 143-151 (151)	1	0343-ACCUCLAMP-143-151

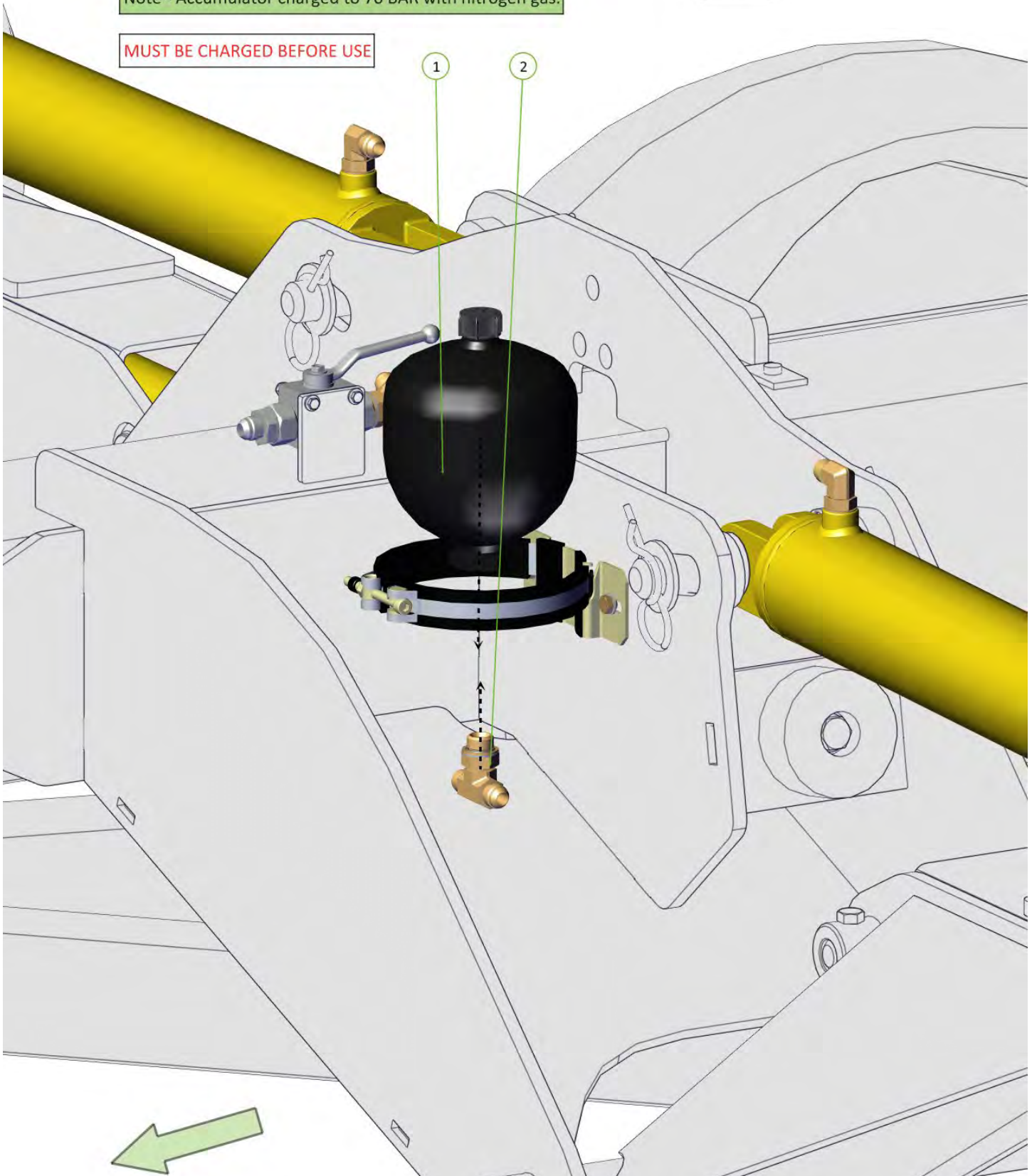


Item No.	Description	Qty	Number
1	1.4L Accumulator	1	0343-SBO210-1.4EI
2	JICM JICM BSPPOM TEE	1	0324-S79-121208



Machines outside of Australia-  
The accumulator will need to be charged.  
Note - Accumulator charged to 70 BAR with nitrogen gas.

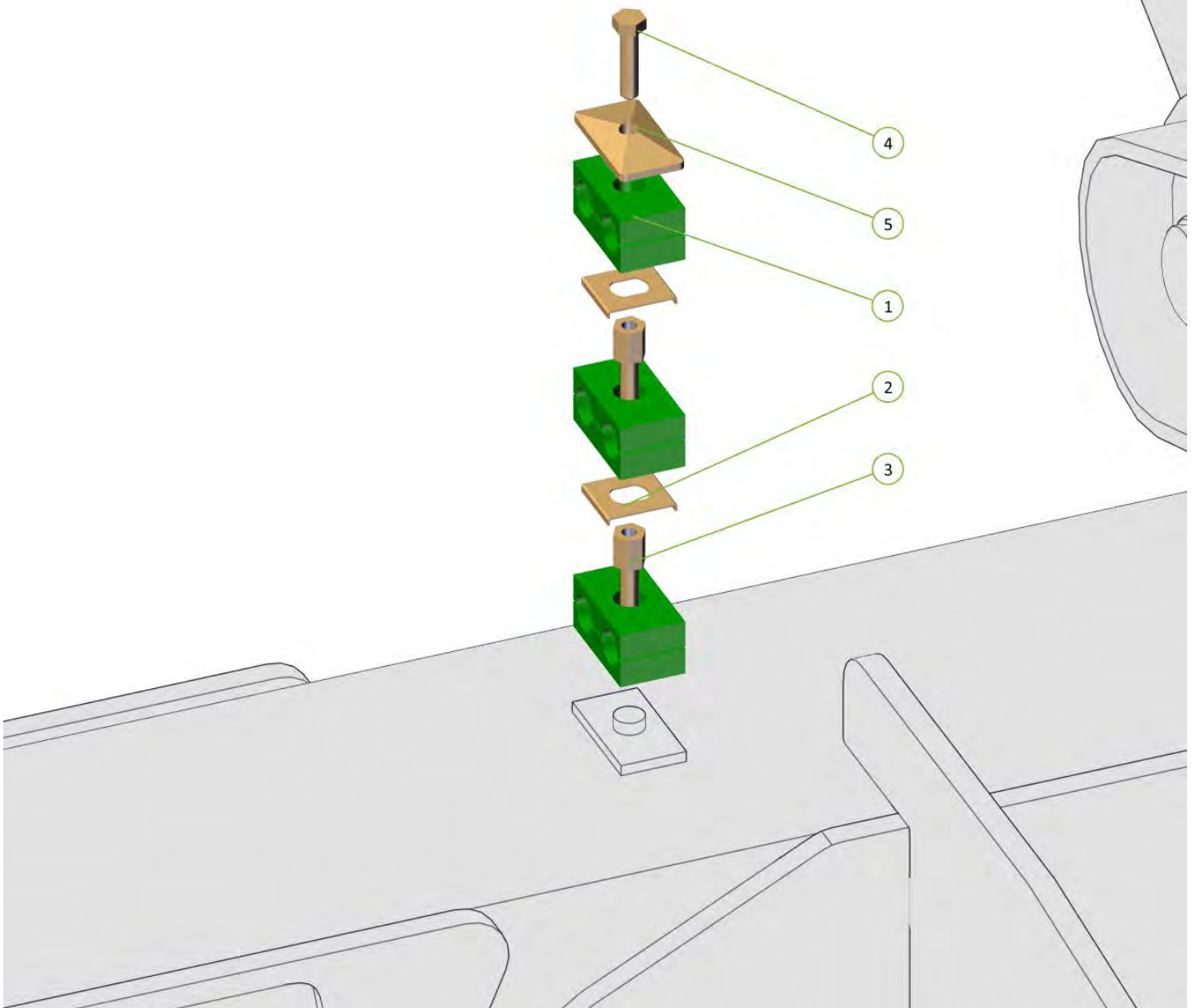
**MUST BE CHARGED BEFORE USE**





Item No.	Description	Qty	Number
1	RCD Double Clamp Jaws 17mm	3	0325-RCD-17J
2	Double Clamp Stacking Plate	2	0325-RCD-2PS
3	RCD Double Clamp Stacking Bolt No 2	2	0325-RCD-2BS
4	RCD Double Clamp Bolt No 2	1	1520-100 HYD
5	RCD Double Clamp Top Plate No 2	1	0325-RCD-2PT

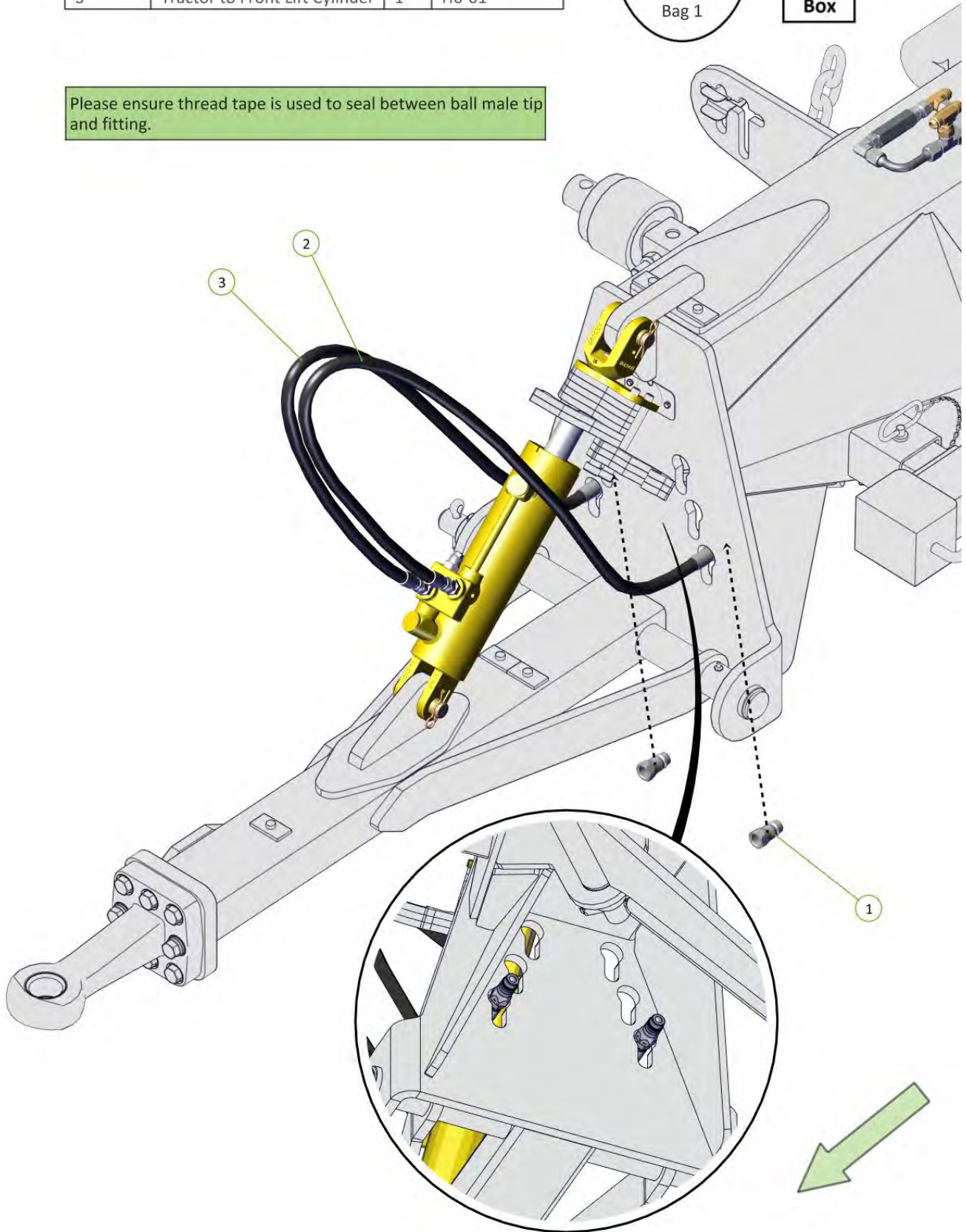
Please Note -  
Bottom clamp bolt needs to be tightened to clamp the hose before top hose clamps can be added.



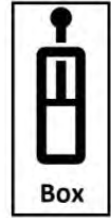
Item No.	Description	Qty	Number
1	BSPPF QRC/BALL MALE TIP	2	0325-R91-08M
2	Tractor to Front Lift Cylinder	1	H6-01
3	Tractor to Front Lift Cylinder	1	H6-01



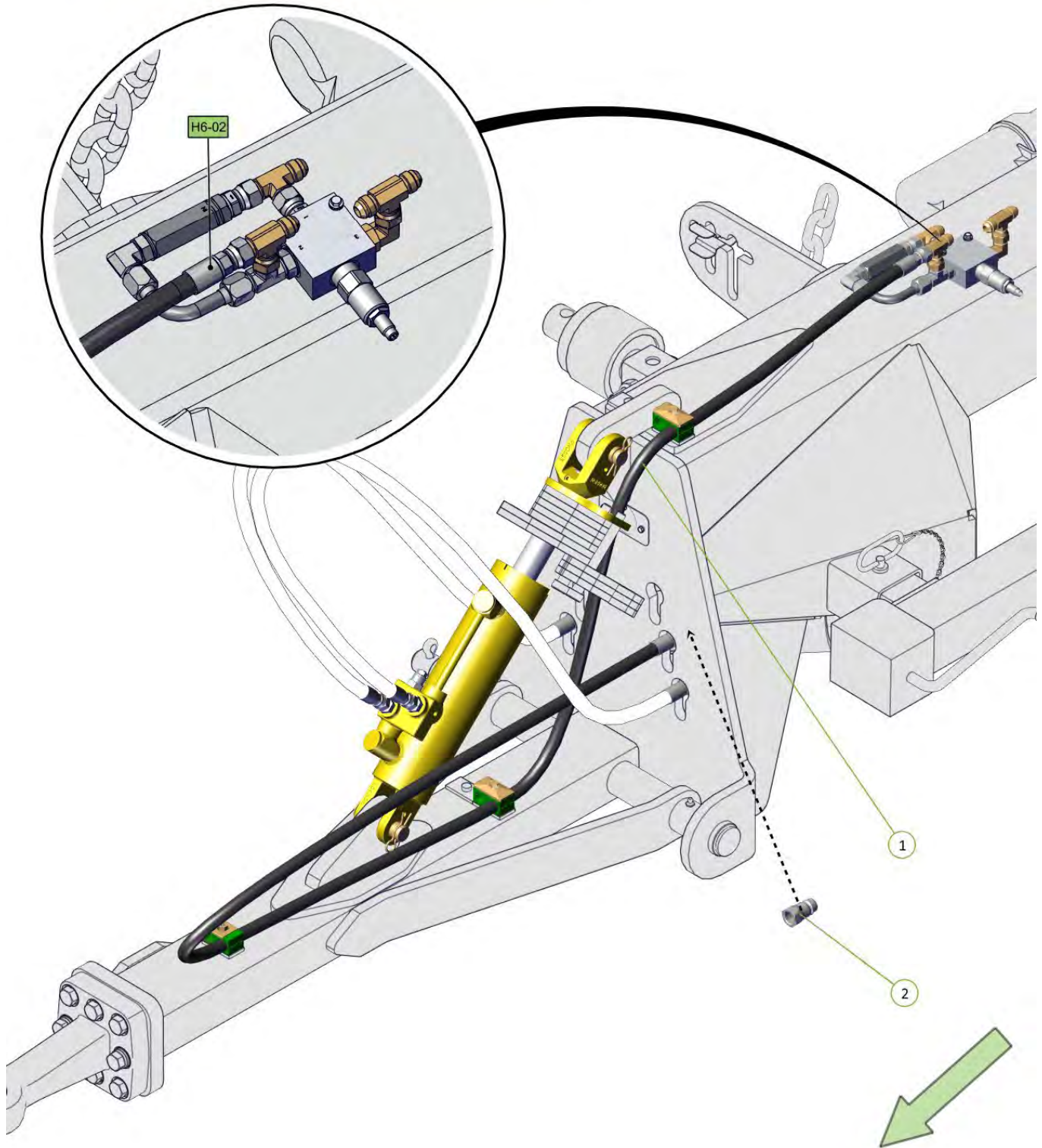
Please ensure thread tape is used to seal between ball male tip and fitting.



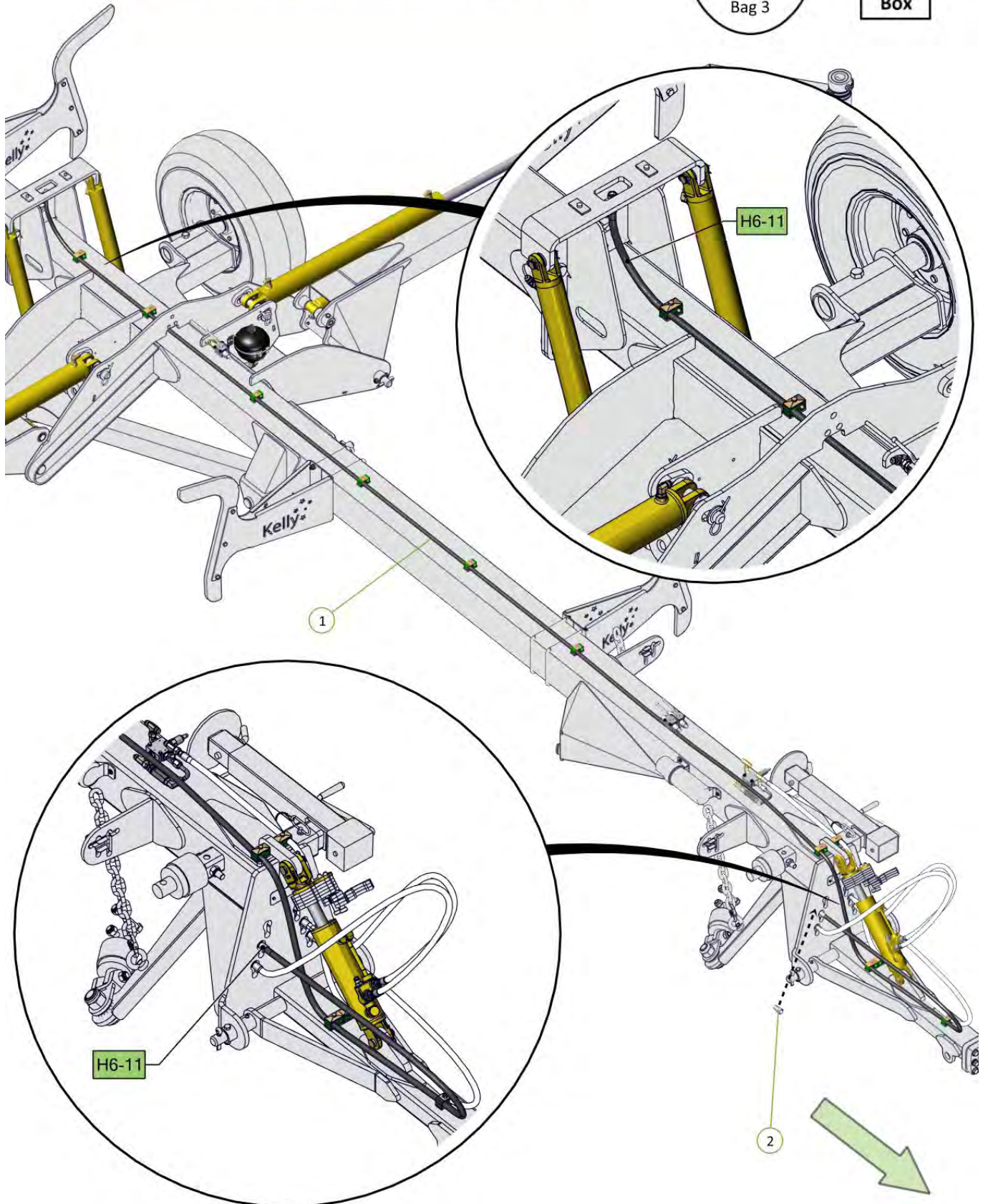
Item No.	Description	Qty	Number
1	Tractor to Main Pressure Relief Extend	1	H6-02
2	BSPPF QRC/BALL MALE TIP	1	0325-R91-08M



Please ensure thread tape is used to seal between ball male tip and fitting.



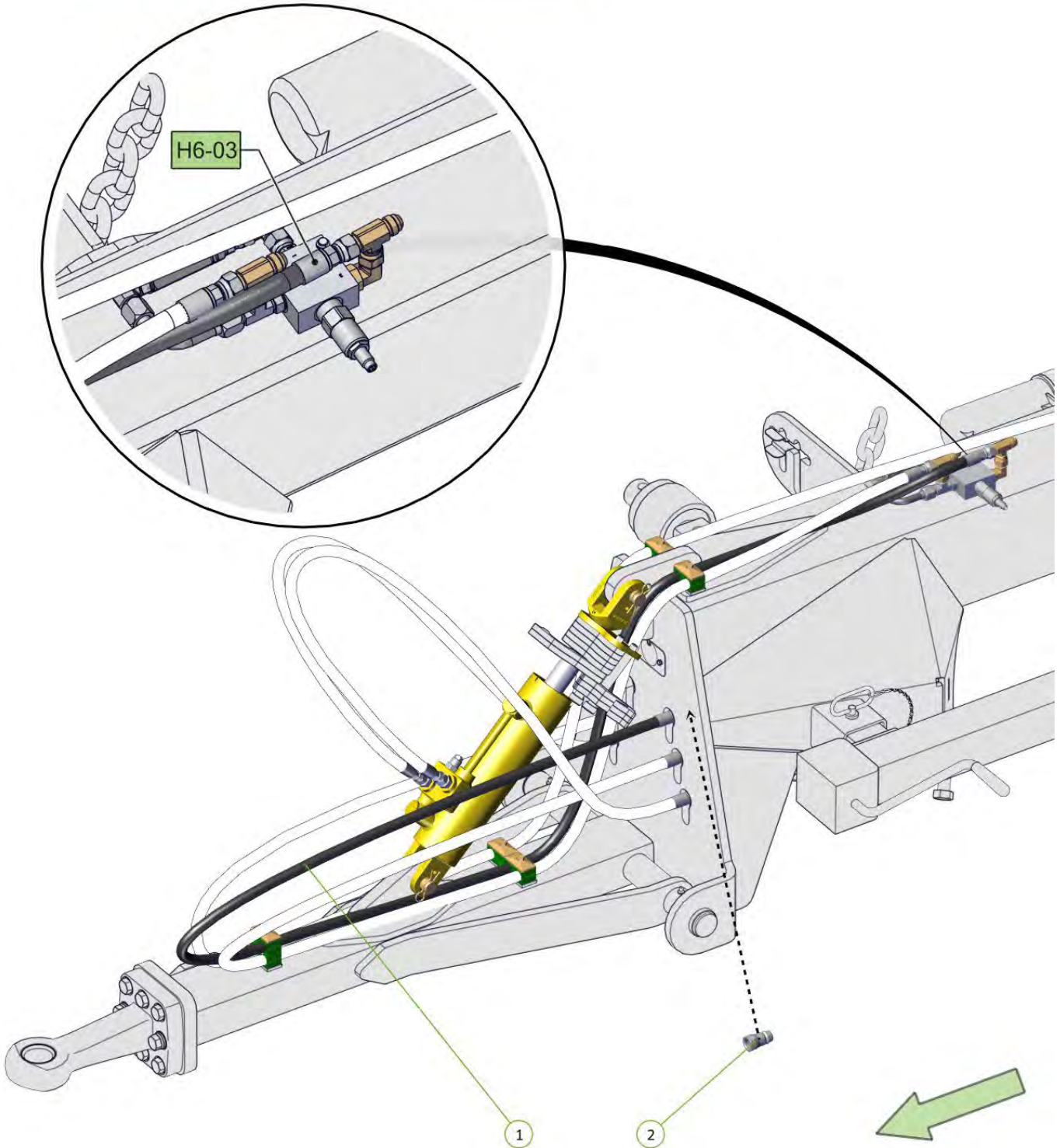
Item No.	Description	Qty	Number
1	Tractor to Wheel Retact	1	H6-11
2	BSPPF QRC/BALL MALE TIP	1	0325-R91-08M



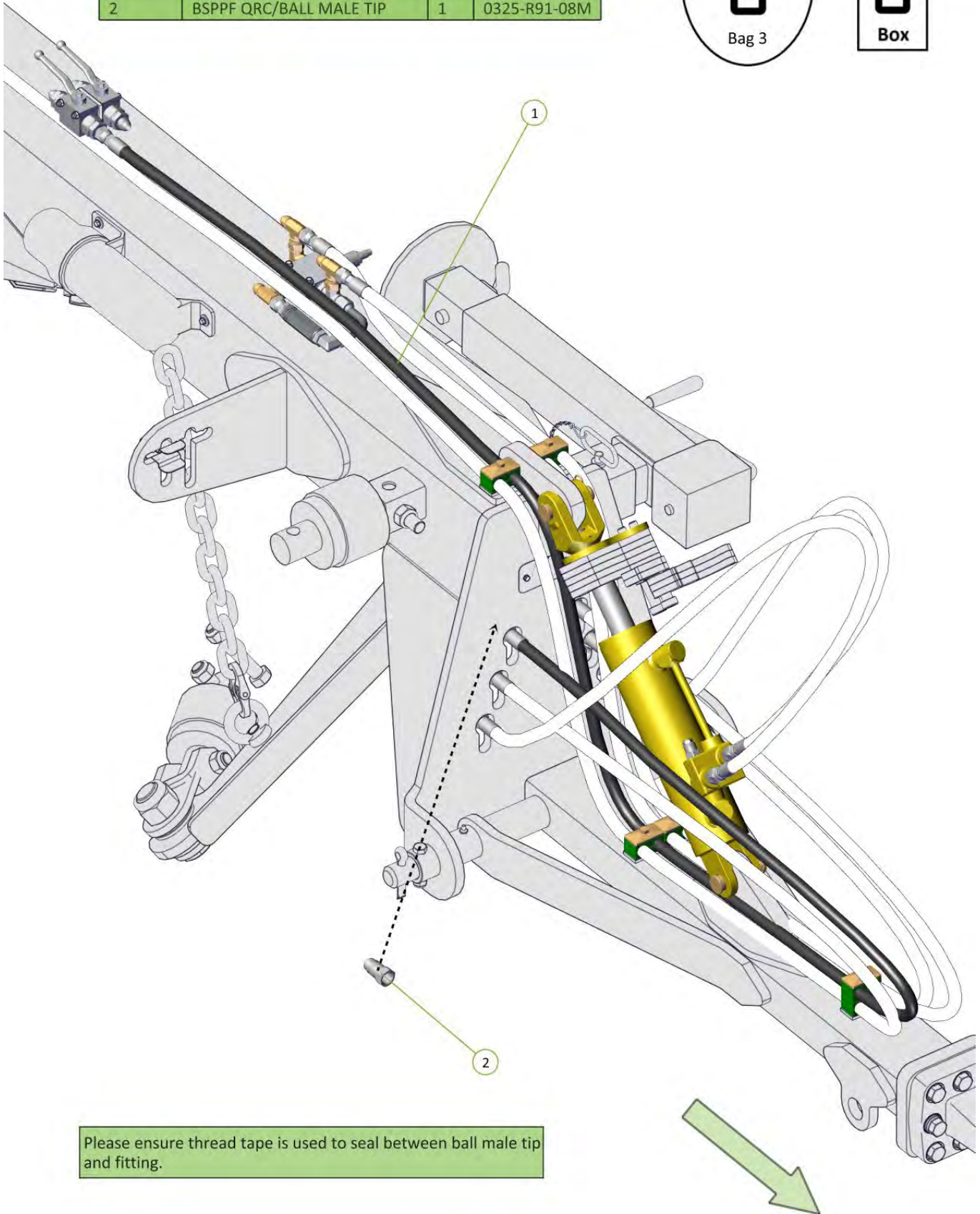
Item No.	Description	Qty	Number
1	Tractor to Pressure Relief Valve Retract	1	H6-03
2	BSPPF QRC/BALL MALE TIP	1	0325-R91-08M



Please ensure thread tape is used to seal between ball male tip and fitting.

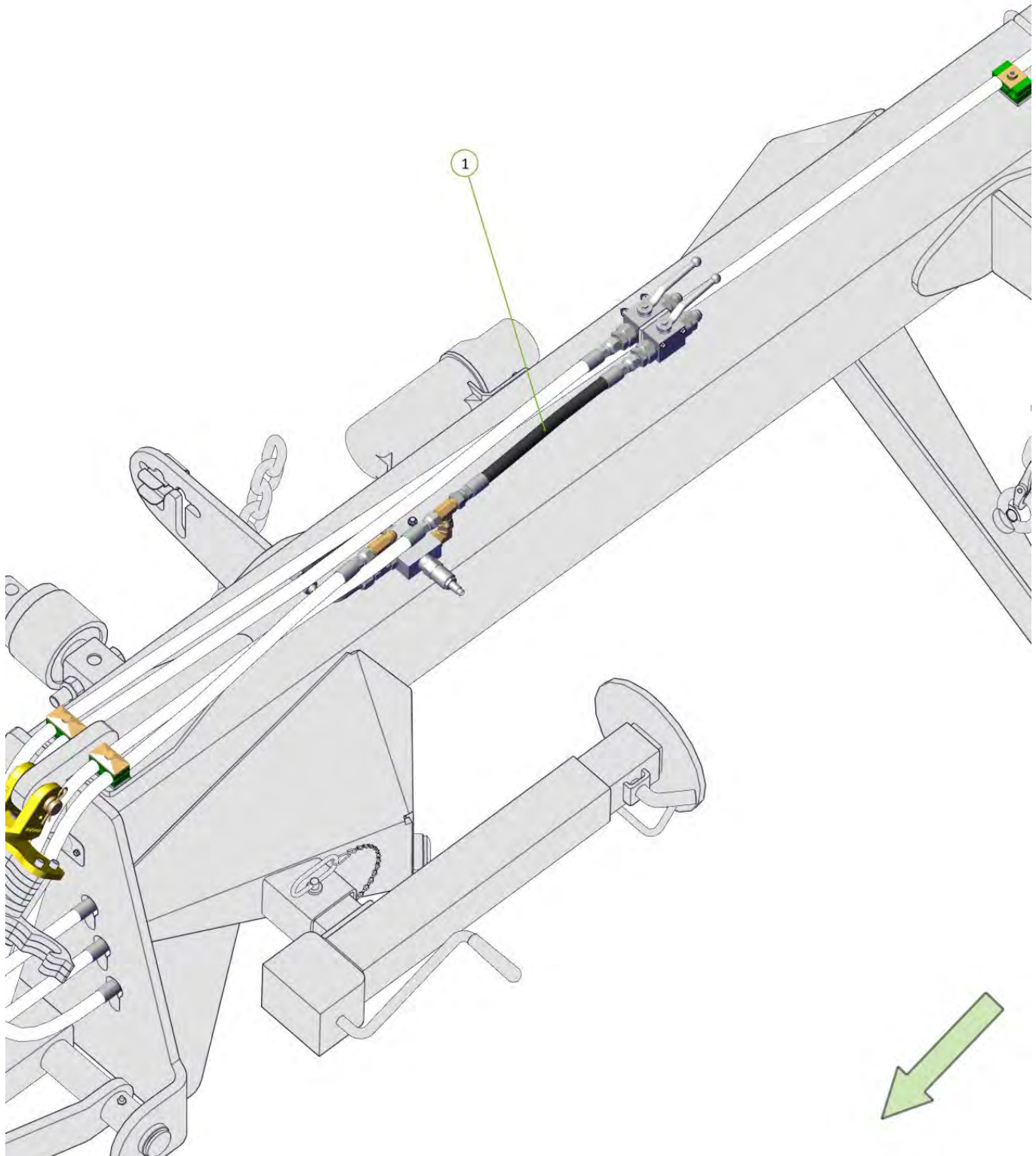


Item No.	Description	Qty	Number
1	Tractor to Wheel Lift Tap Extend	1	H6-12
2	BSPPF QRC/BALL MALE TIP	1	0325-R91-08M

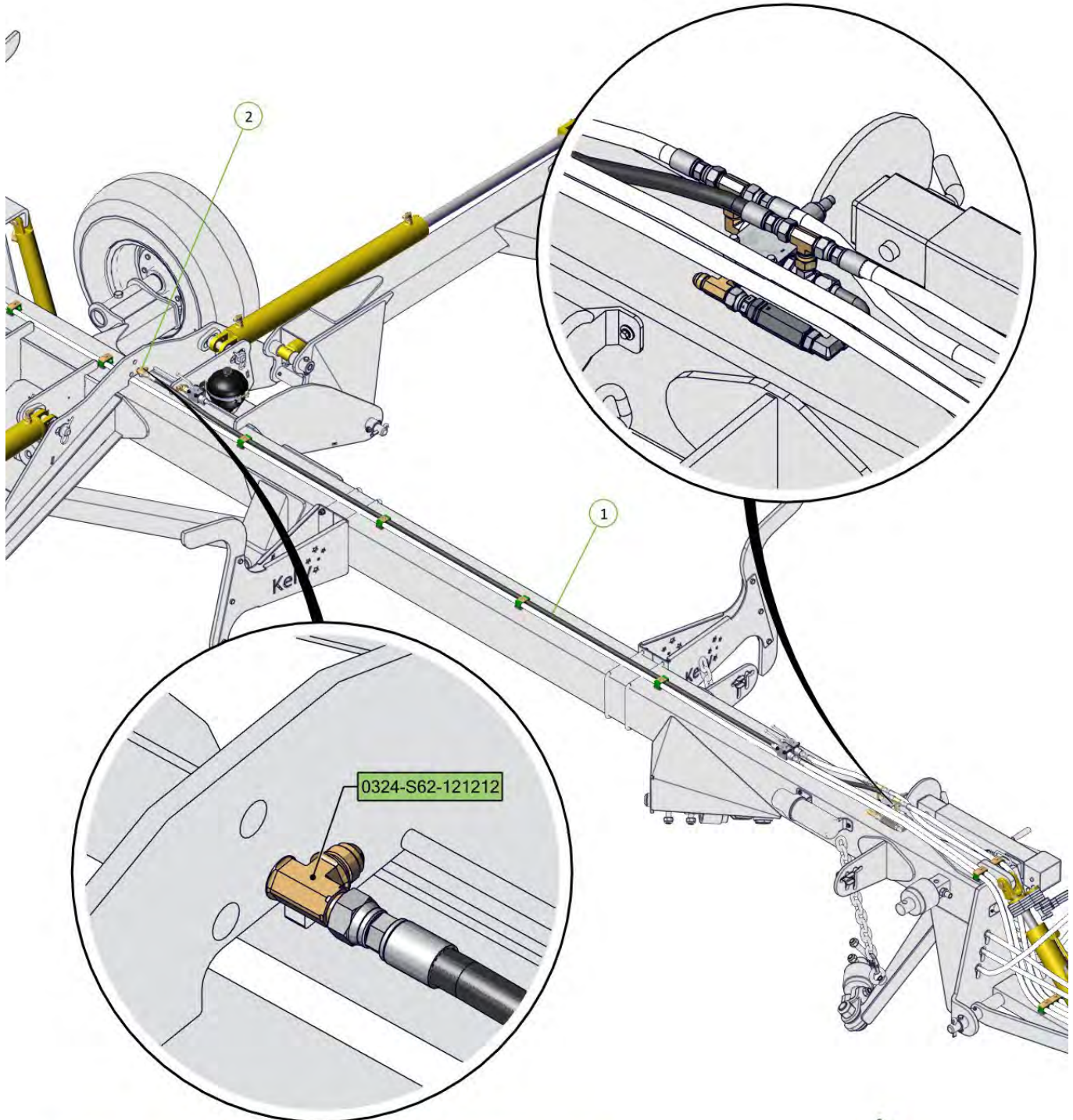


Please ensure thread tape is used to seal between ball male tip and fitting.

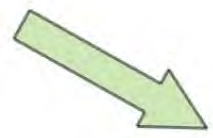
Item No.	Description	Qty	Number
1	Pressure Relief Valve to Tap Retract	1	H6-06



Item No.	Description	Qty	Number
1	Pressure Relief Valve to Bulk Head Fitting Extend	1	H6-05
2	3/4" JIC Male Bulkhead Fitting	1	0324-S62-121212

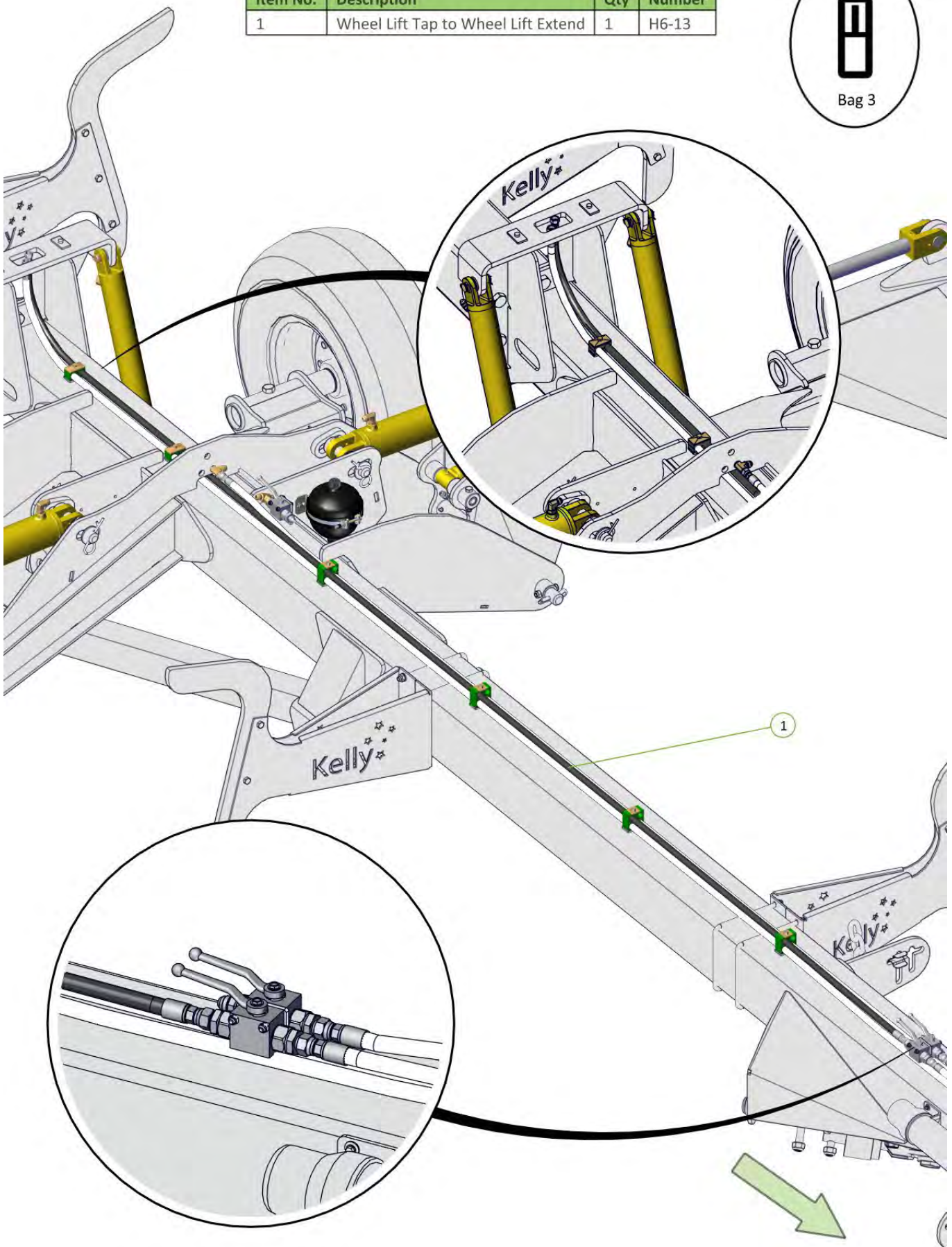


Bulkhead fittings have a nut that screws off, put the bulkhead fitting through the hole and screw nut back onto thread to clamp fitting to plate.

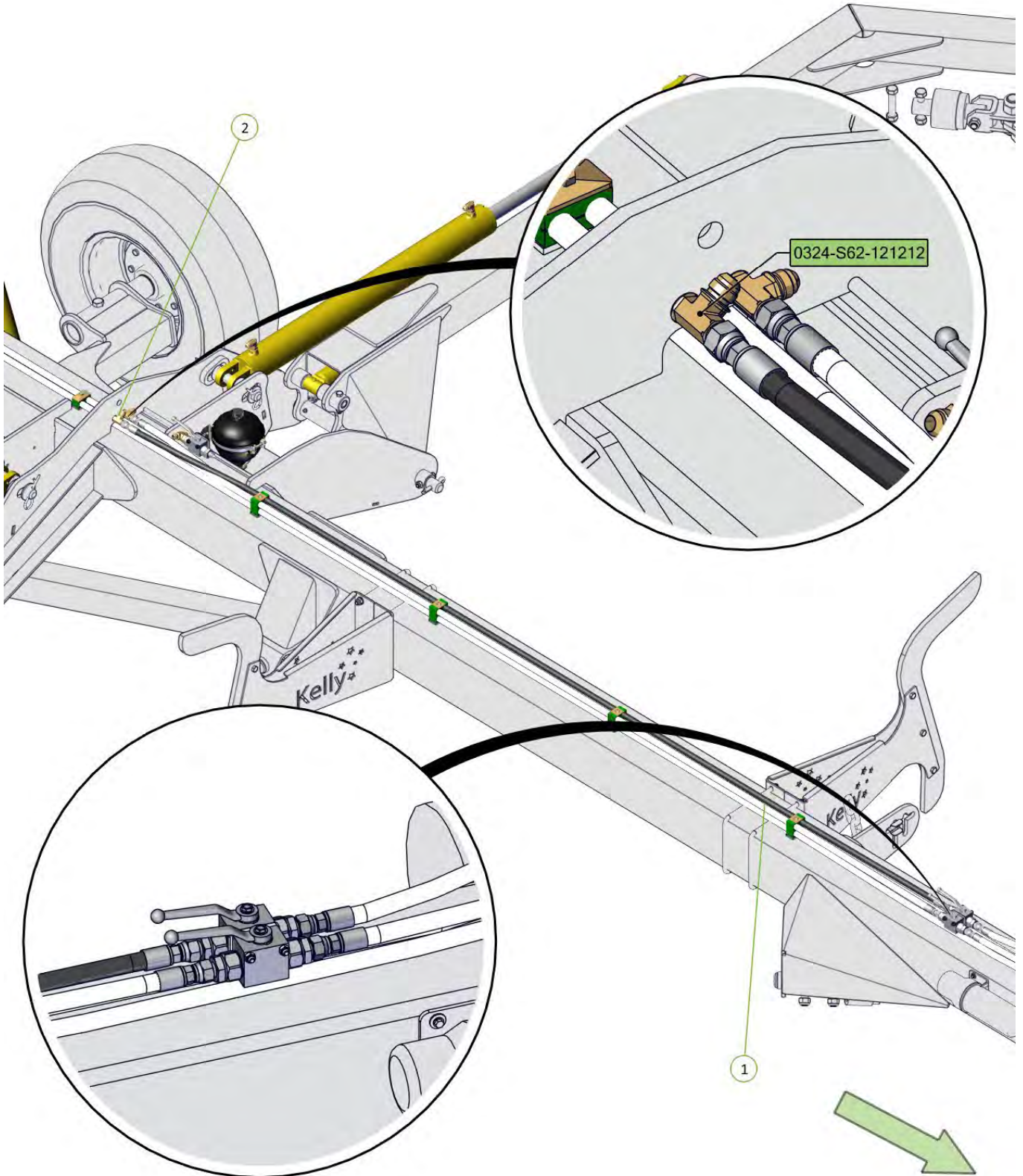




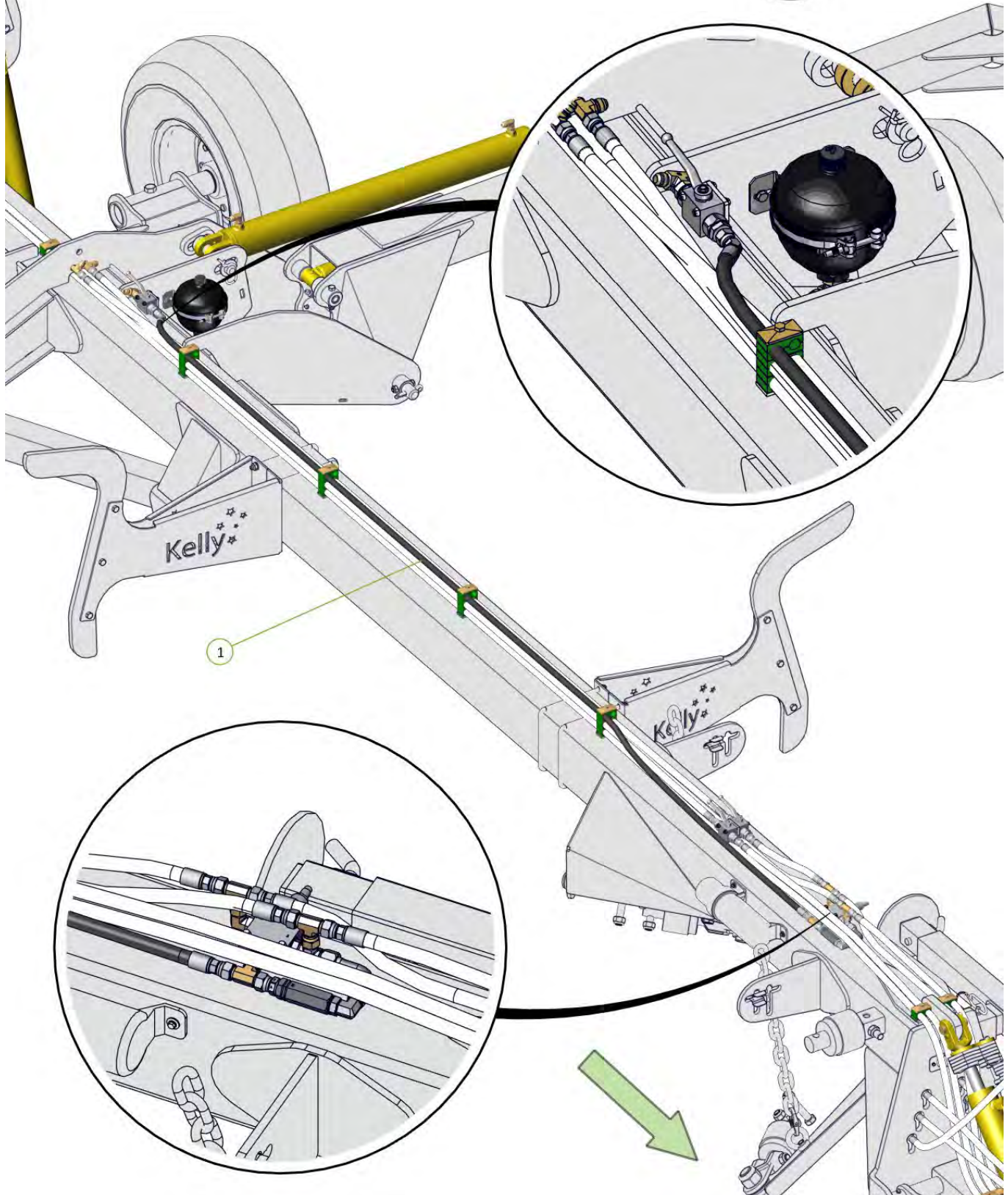
Item No.	Description	Qty	Number
1	Wheel Lift Tap to Wheel Lift Extend	1	H6-13



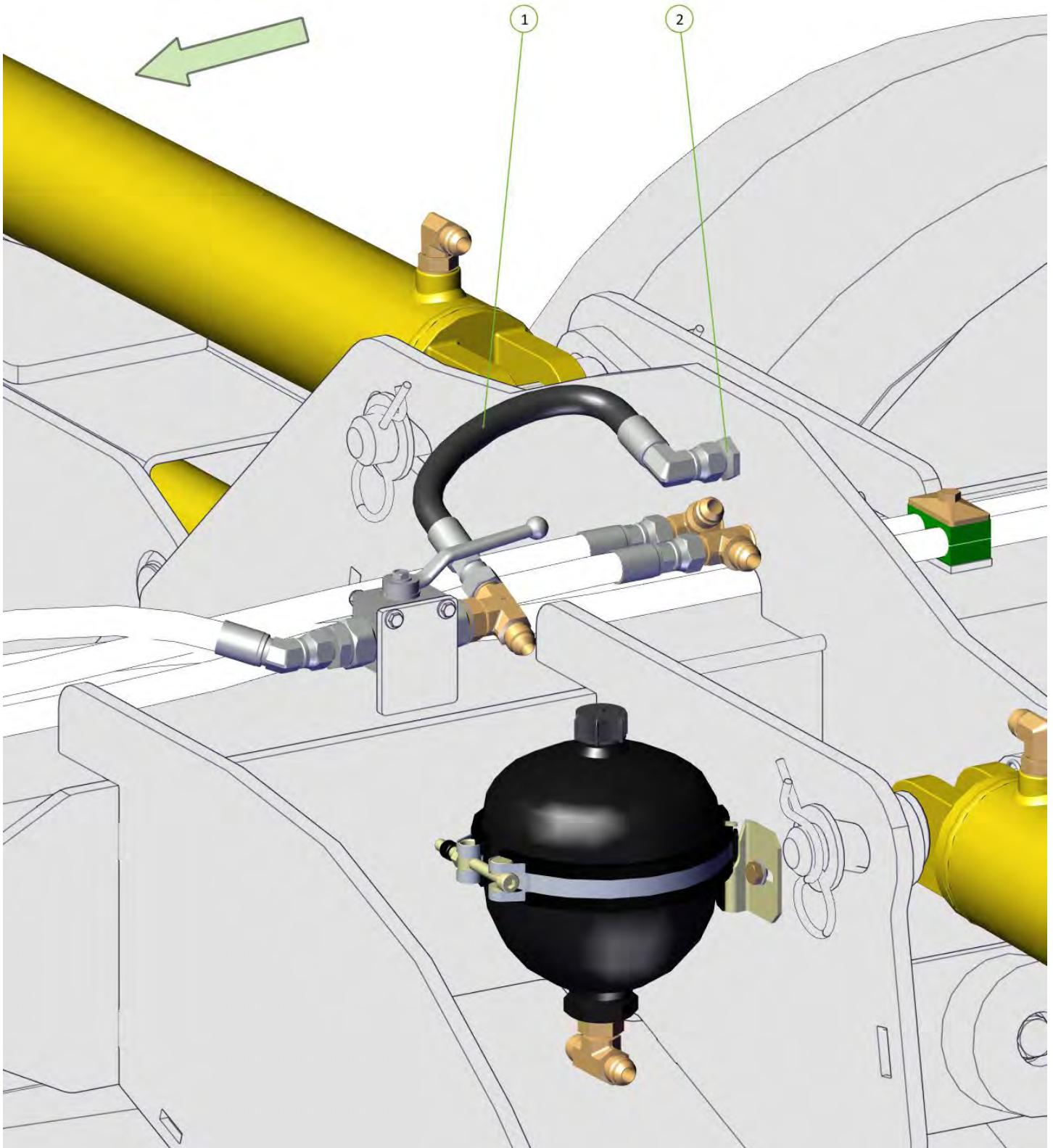
Item No.	Description	Qty	Number
1	Tap to Bulk Head Fitting Retract	1	H6-04
2	3/4" JIC Male Bulkhead Fitting	1	0324-S62-121212



Item No.	Description	Qty	Number
1	Pressure to Tap	1	H6-20



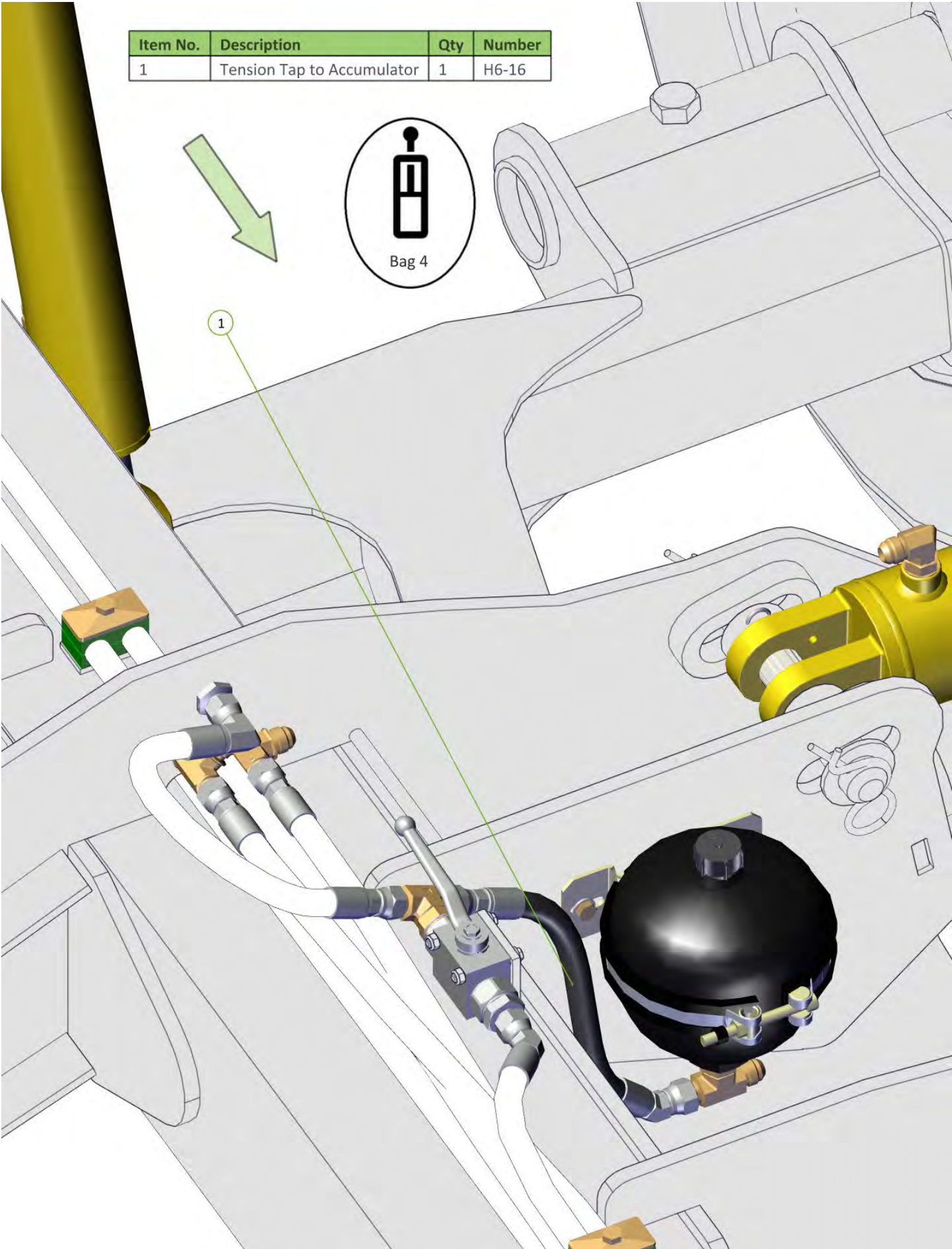
Item No.	Description	Qty	Number
1	Tension Tap to Bulkhead Fitting	1	H6-18
2	JICM BULKHEAD JICM NIPPLE	1	0323-S10-1212



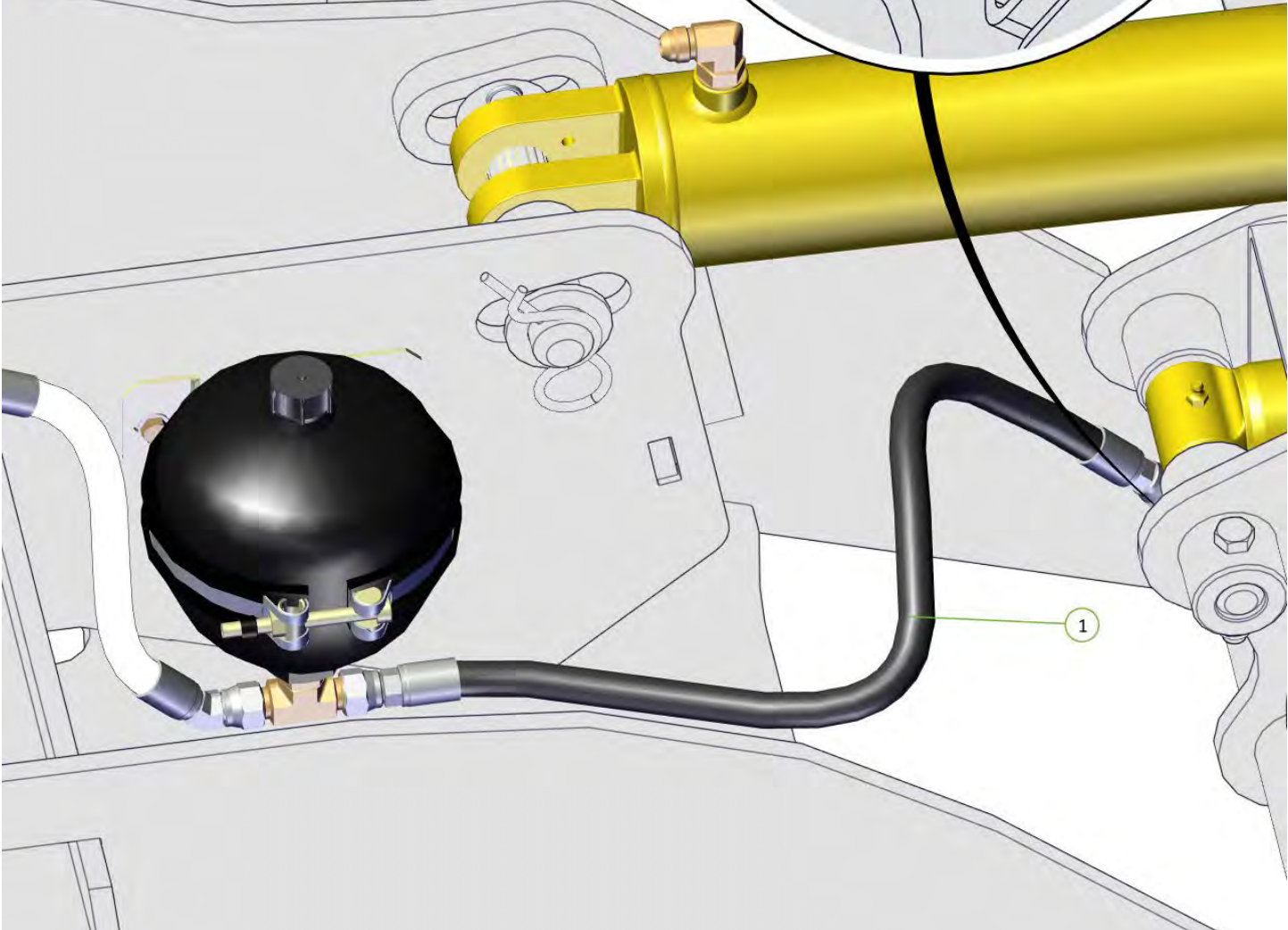
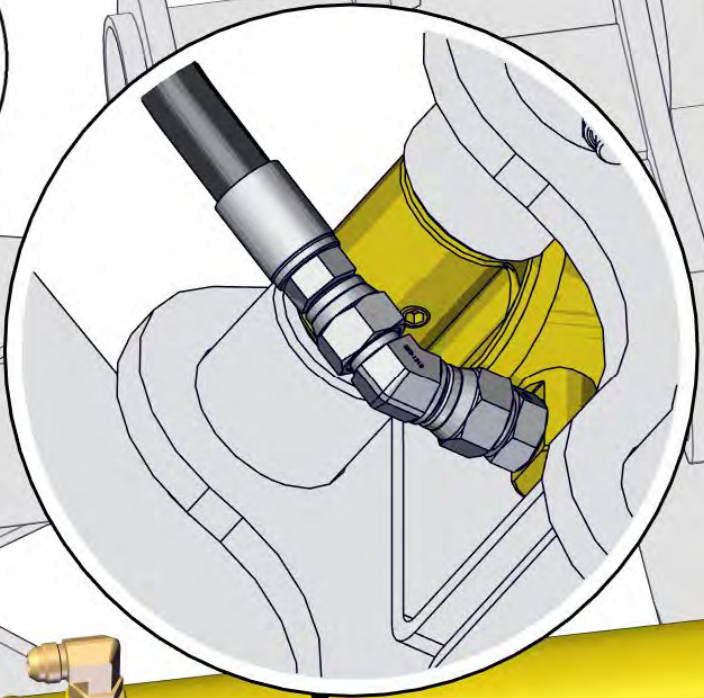
Item No.	Description	Qty	Number
1	Tension Tap to Accumulator	1	H6-16



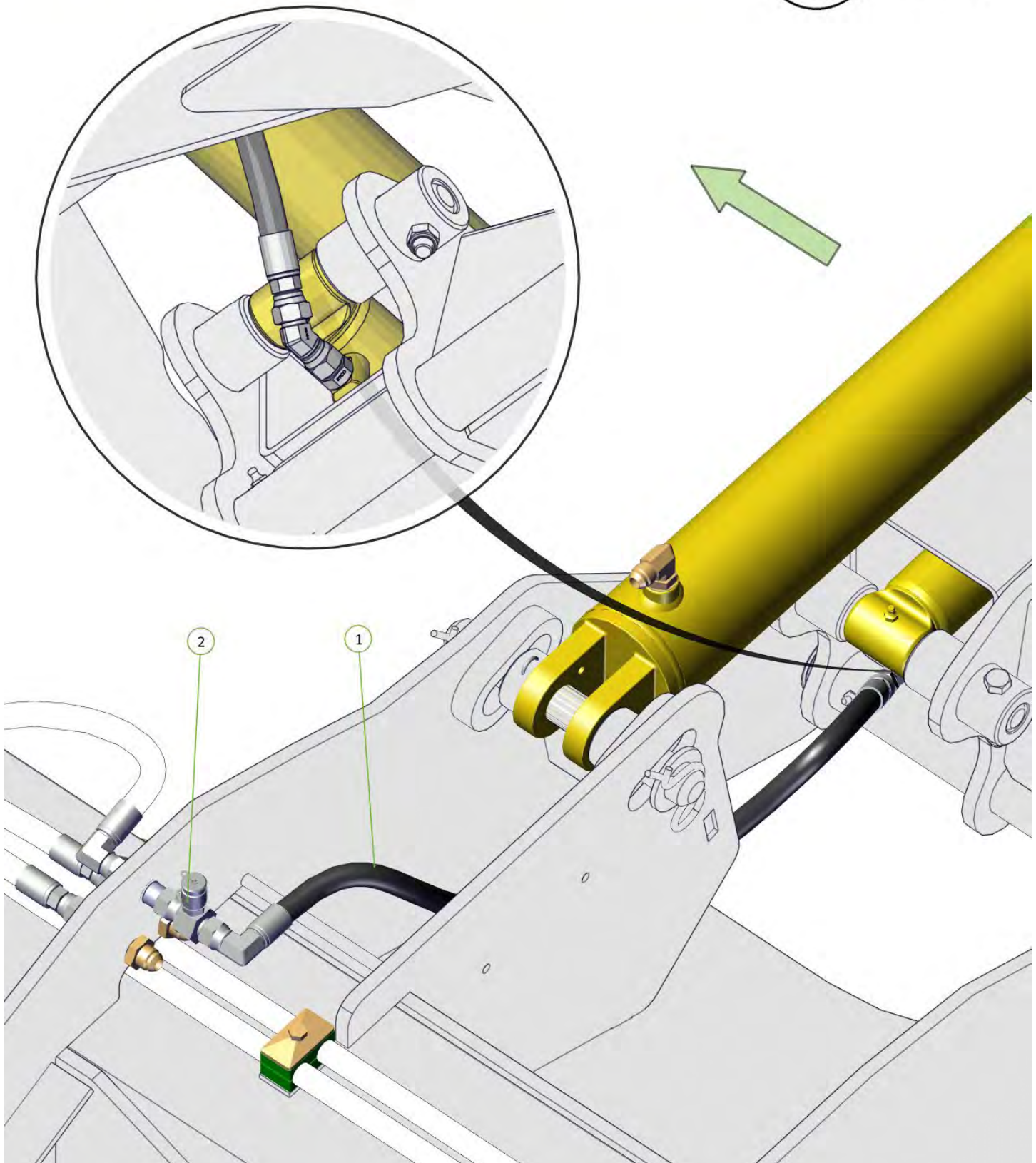
1



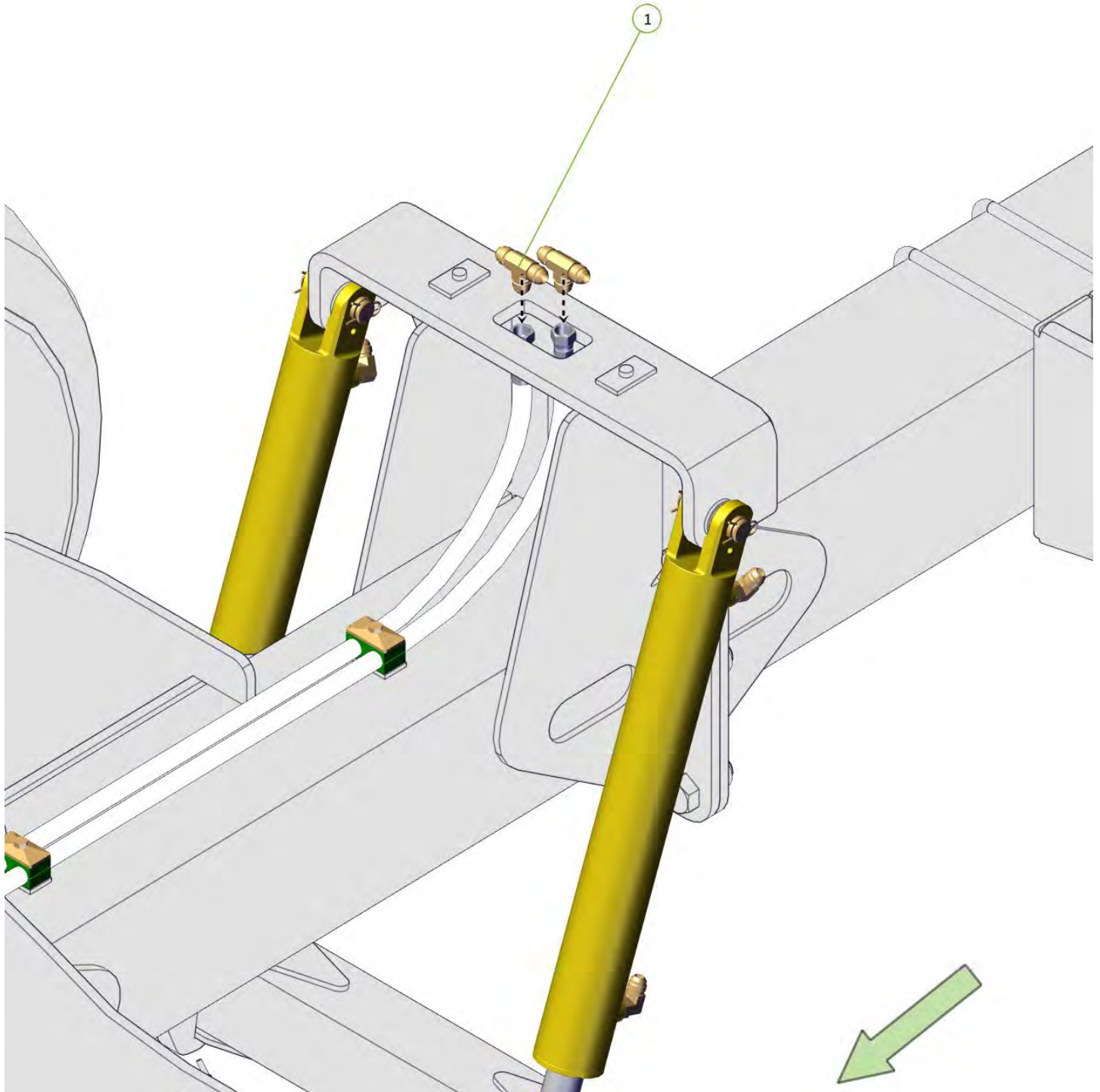
Item No.	Description	Qty	Number
1	Accumulator to LH Tension Cylinder	1	H6-17



Item No.	Description	Qty	Number
1	Bulkhead to RH Tension Cylinder	1	H6-19
2	JIC Male, JIC Female Swivel, M16 x 2.0 Test Point	1	0325-S159-121216

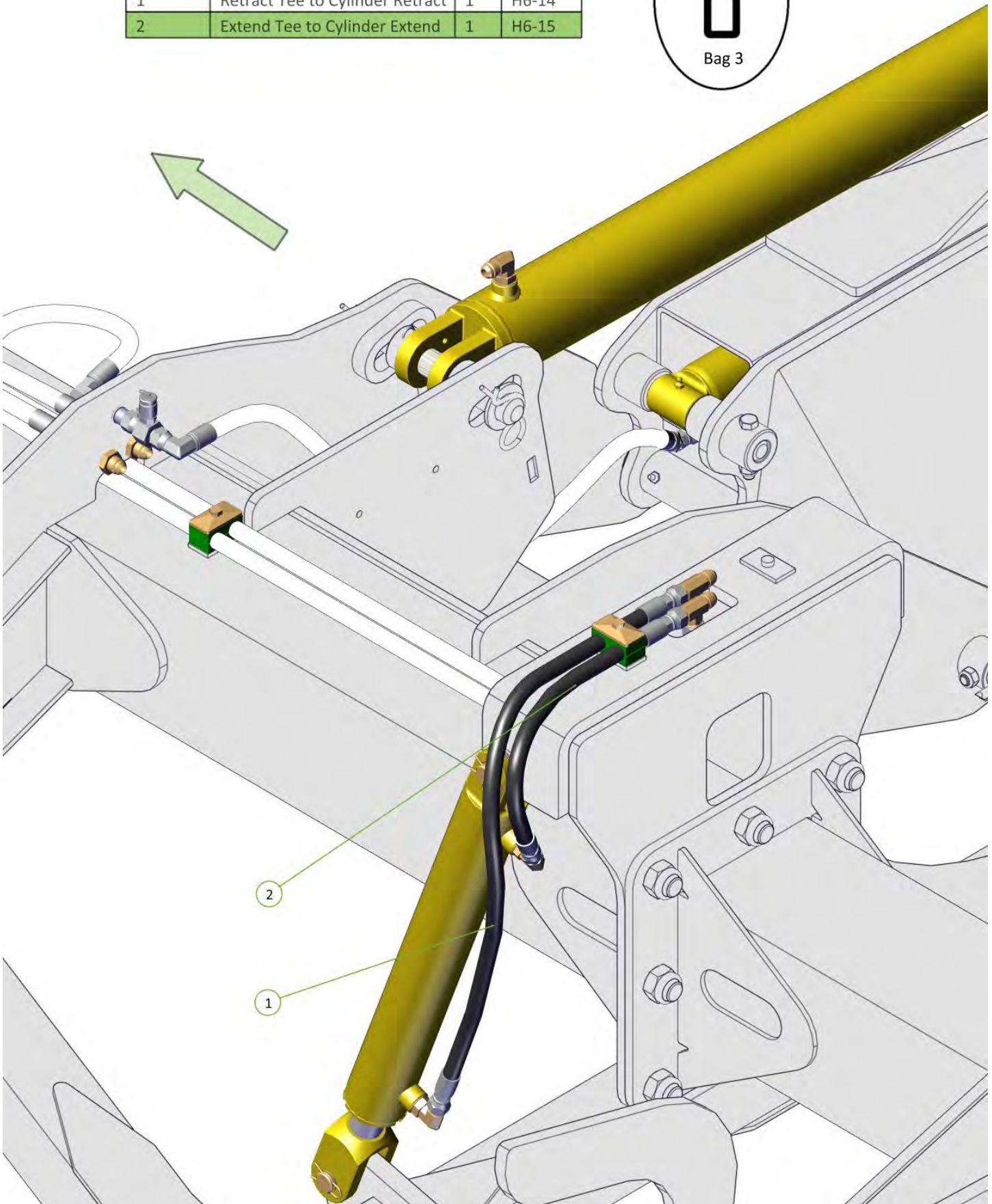


Item No.	Description	Qty	Number
1	JICM JICM JICM TEE	2	0324-S19-121212

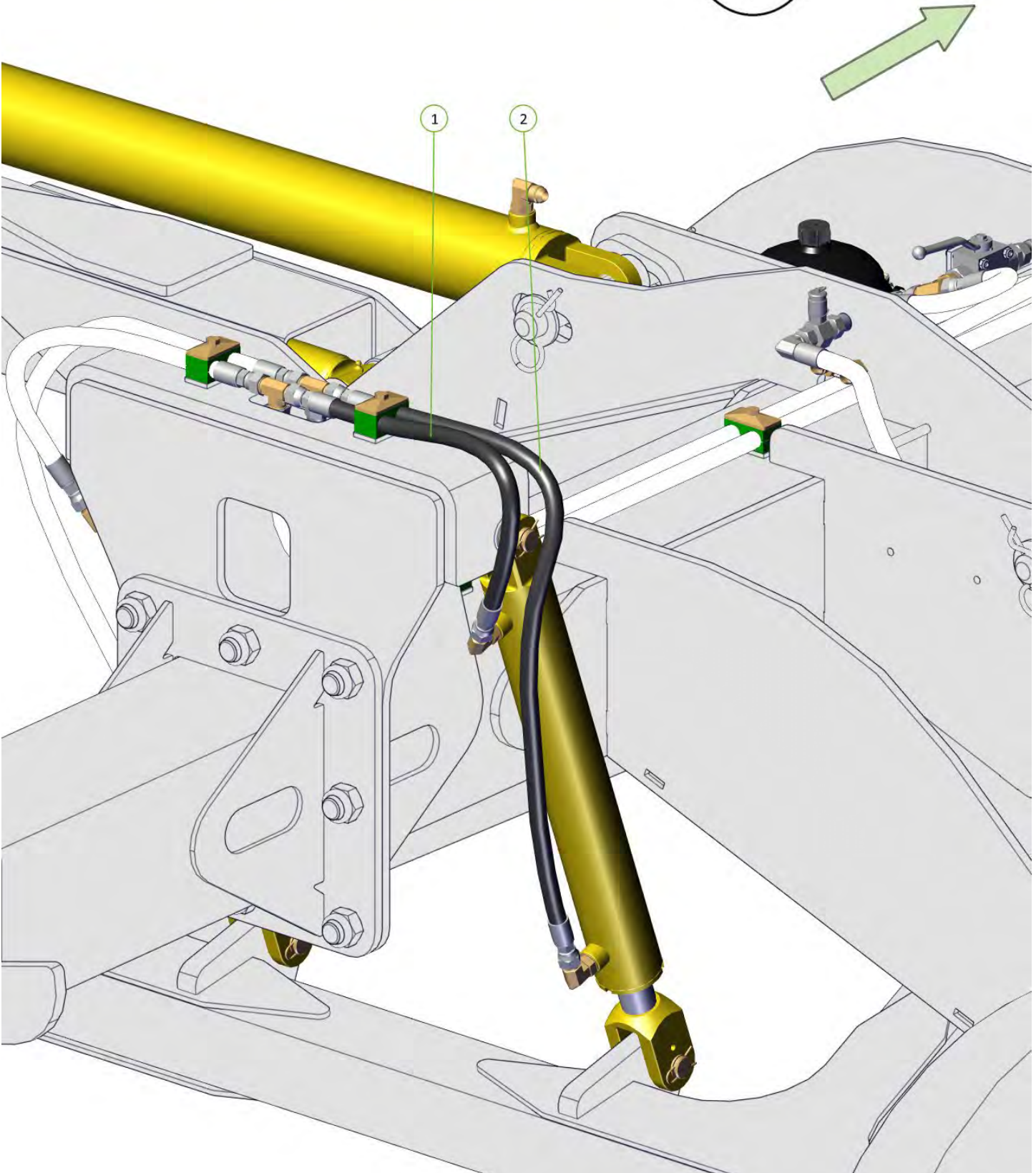




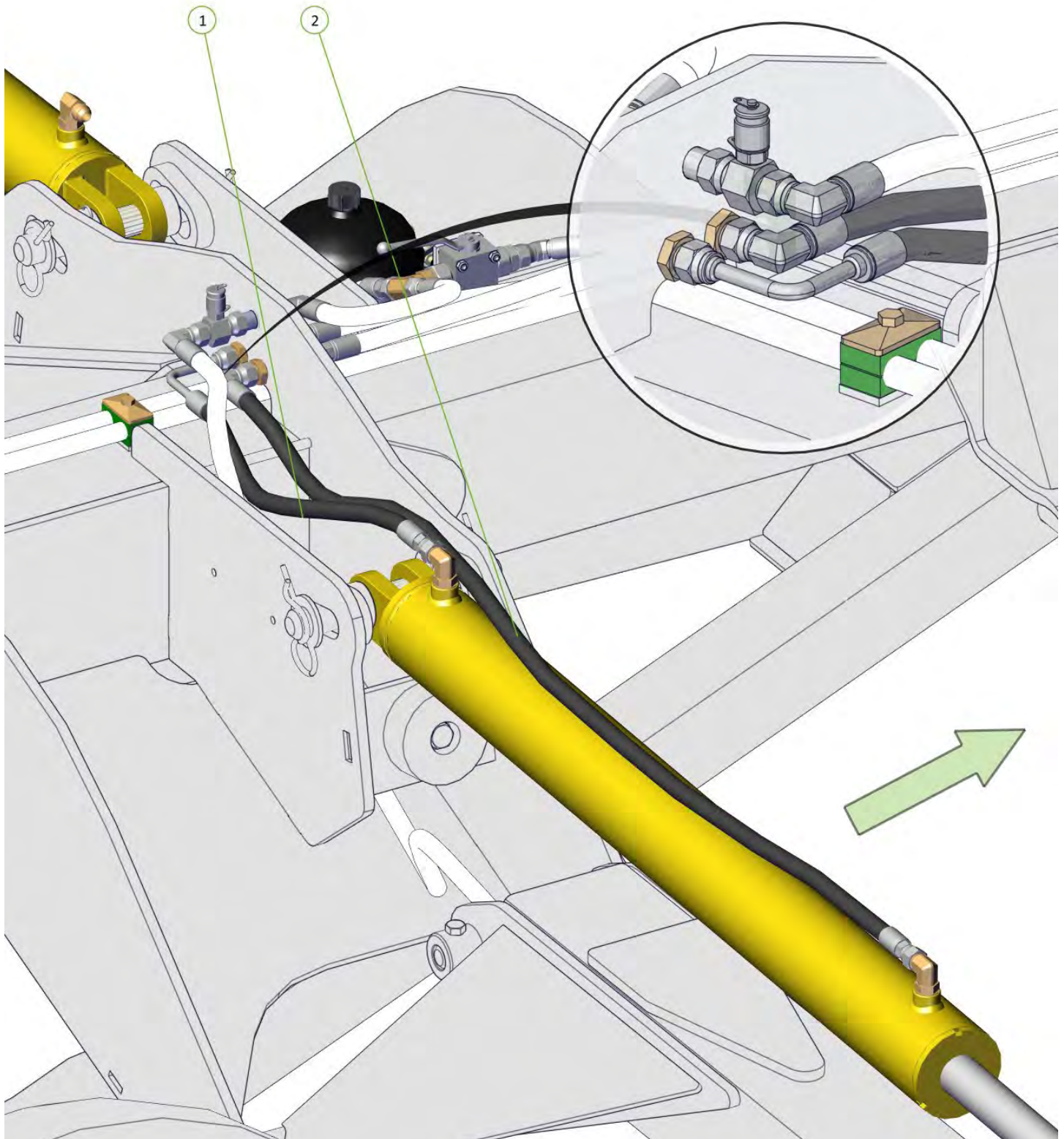
Item No.	Description	Qty	Number
1	Retract Tee to Cylinder Retract	1	H6-14
2	Extend Tee to Cylinder Extend	1	H6-15

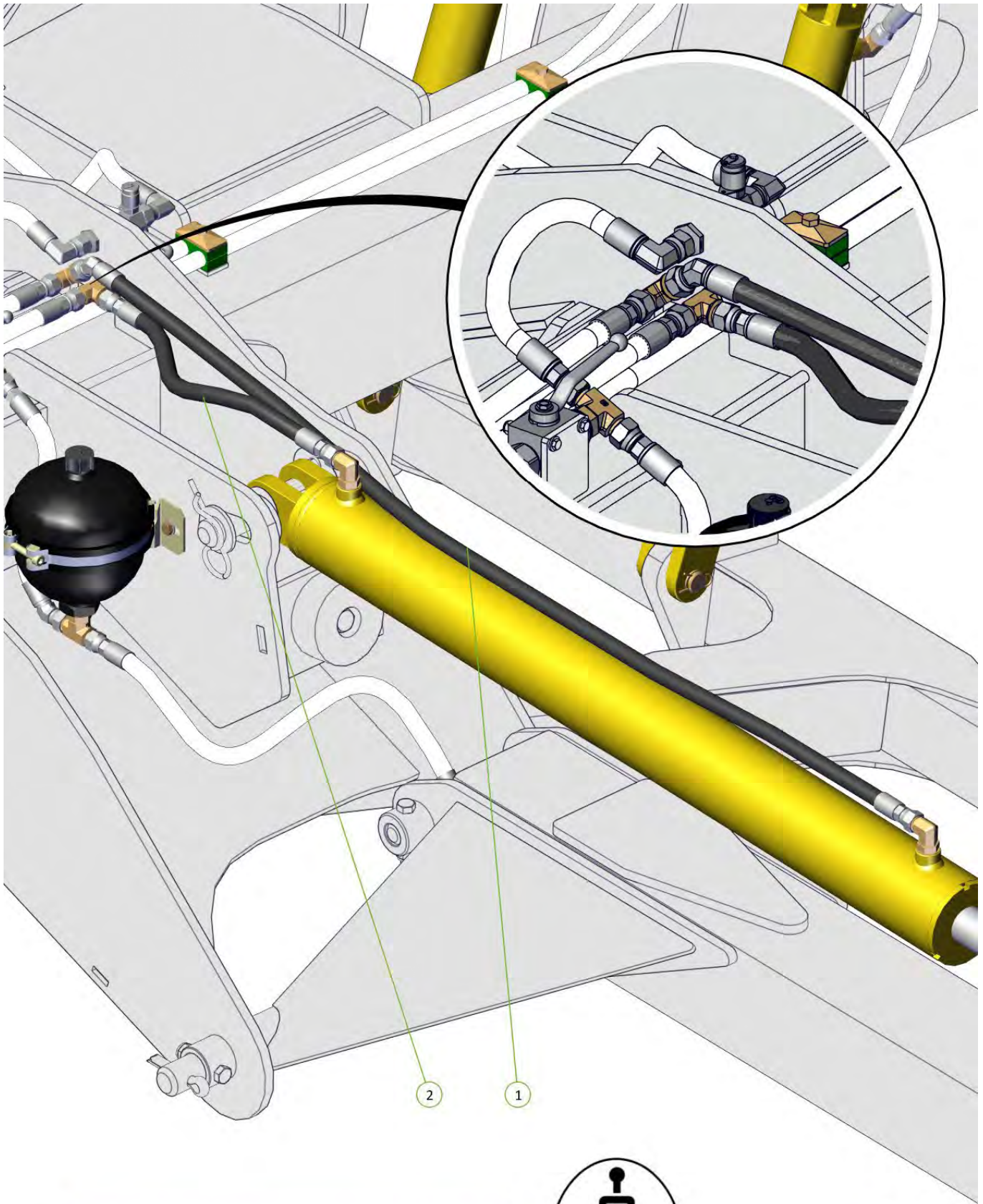


Item No.	Description	Qty	Number
1	Extend Tee to Cylinder Extend	1	H6-15
2	Retract Tee to Cylinder Retract	1	H6-14

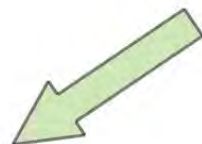


Item No.	Description	Qty	Number
1	Bulkhead to Right Hand Extend Port	1	H6-10
2	Bulkhead to RH Retract Port	1	H6-09

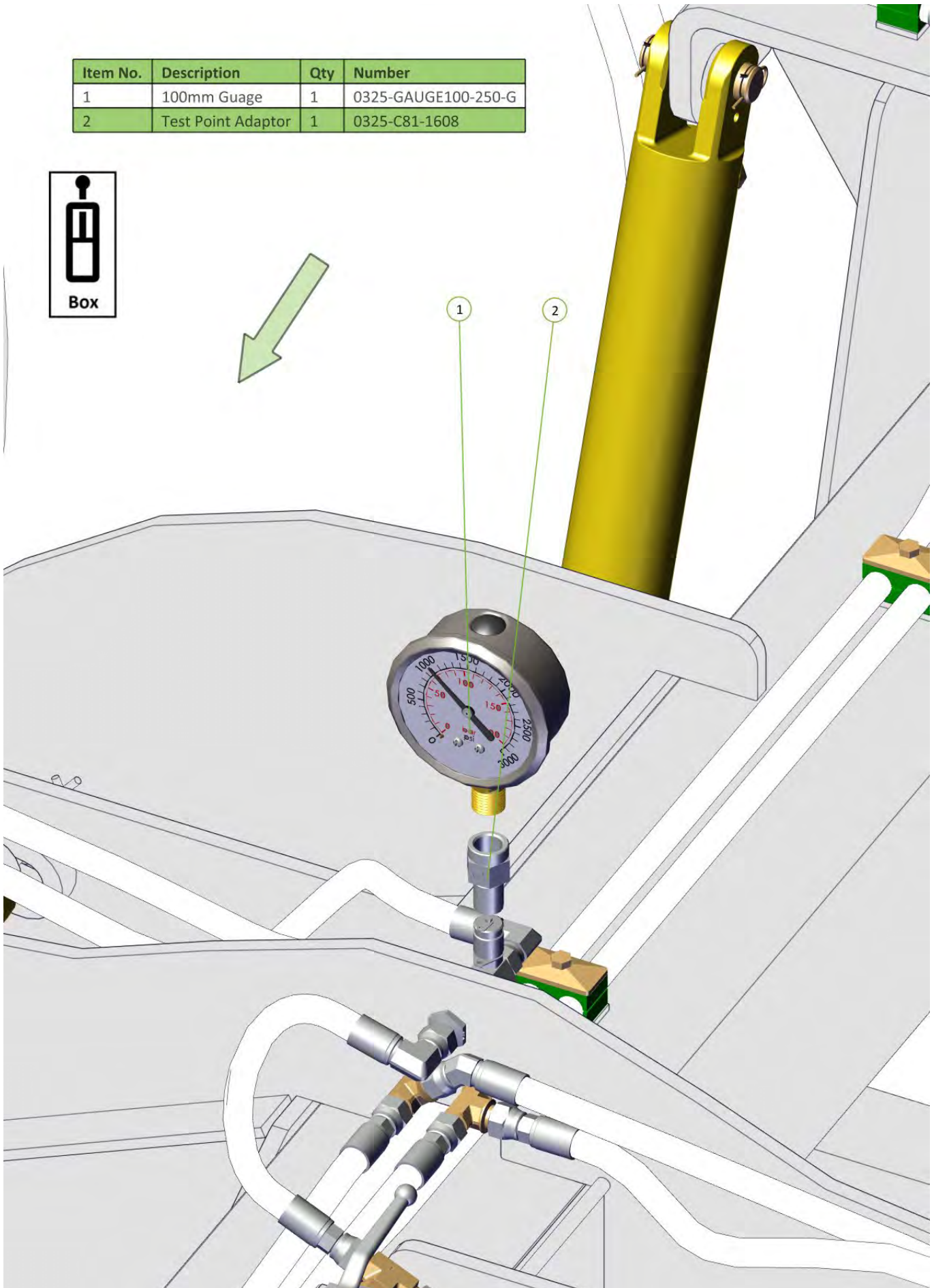




Item No.	Description	Qty	Number
1	Bulkhead to LH Retract Port	1	H6-07
2	Bulkhead to LH Extend Port	1	H6-08



Item No.	Description	Qty	Number
1	100mm Guage	1	0325-GAUGE100-250-G
2	Test Point Adaptor	1	0325-C81-1608





# Section 4

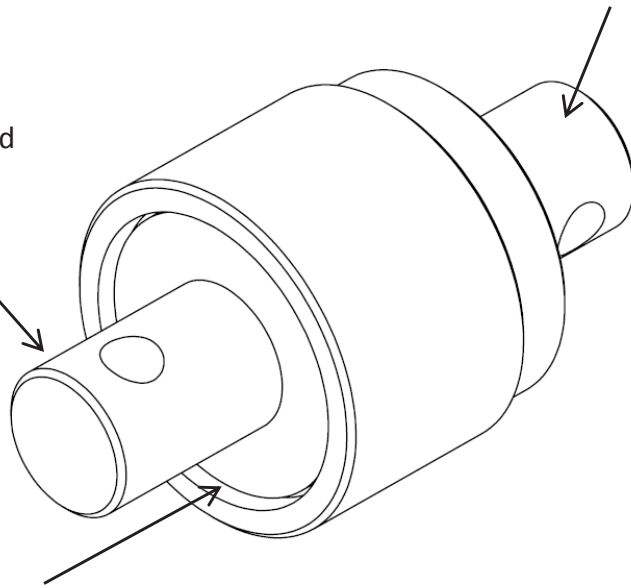
## Diagrams & Specifications

# Mounting Swivels

Rotating seal end of swivel should always face rearward

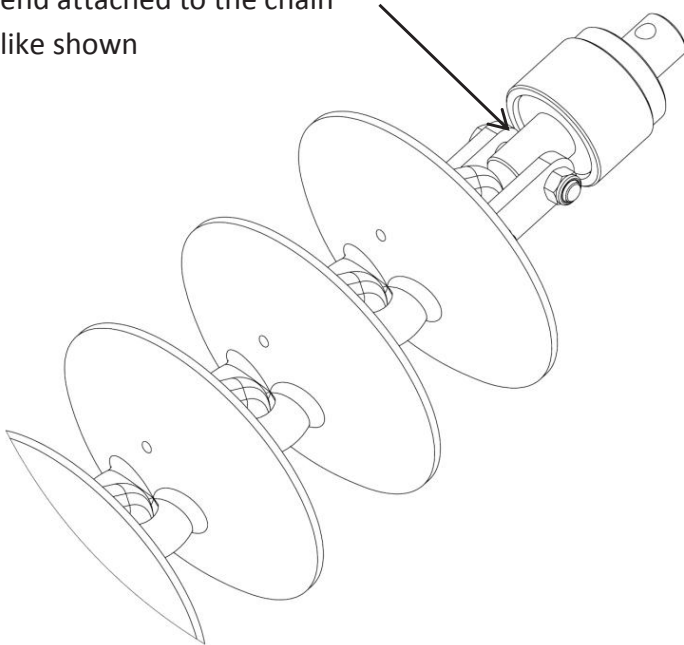
Fixed housing end of swivel should always face forward

Mounting like this prevents dirt getting forced into the seals of the swivel increasing longevity of the swivel

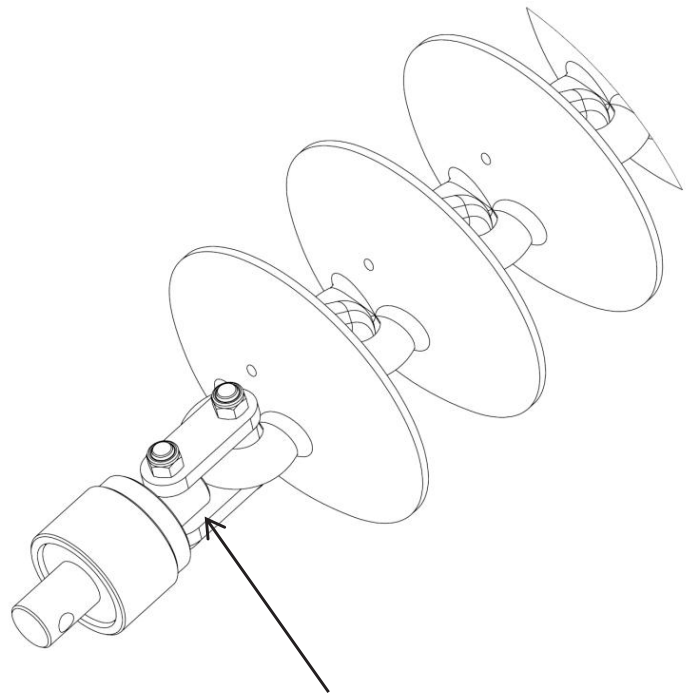


## For Example

Swivels attached to the leading ends of the chains should have the rotating seal end attached to the chain like shown



Swivels attached to the trailing ends of the chains should have the fixed housing end attached to the chain like shown





## Operating speeds

Operating speeds for normal conditions	
Chain type	Speed
Prickle Chain	6-10 Mph / 10-16 kmph
Disc Chain	6-8 Mph / 10-12 kmph
Transport / towing on roads	15 Mph / 25 kmph

## Chain Harrow specifications

Model	2006
Working width	20.1'/6.4m
Transport width	7.1'/2.4m
Transport height	12.9'/3.9m
Transport length	34.0'/10.4m

## Bolt Torque Settings

Bolt Type	Wheel nut				U Bolt			Grade 8.8 Bolt					Grade 10.9 Bolt	
	M18	M20	1/2"	9/16"	M10	M12	M16	M10	M12	M16	M20	M24	M20	M24
<b>Bolt Size</b>	M18	M20	1/2"	9/16"	M10	M12	M16	M10	M12	M16	M20	M24	M20	M24
<b>Ft lb</b>	255	265	90	100	22	36	55	32	48	140	190	270	300	350
<b>Nm</b>	345	360	125	140	30	50	75	44	65	190	260	370	406	475

[1] When fitting a wheel & tire to a hub, tighten the wheel nuts in rotation to the correct tension. To achieve this choose a wheel nut & tighten, then proceed clockwise to the next wheel nut & tighten & so on until all wheel nuts are tight. Then repeat the procedure to check that all nuts are tight. Do not use impact tools to tighten wheel nuts. For a guide to the correct tension of the wheel nuts please use the appropriate tension for your size wheel nuts from the Bolt Torque Settings table.

Torque values are for dry threads and surfaces however it is permissible to apply a small amount of anti corrosive oil to the threads.

## Disc Chain Lengths

Model		Length	CL2	K4	CL1	W36	R300	SD49	Prickle chain
			CL2 disc chain also requires CL1 disc chain						
<b>2006</b>	Front right	14.8'/4.51m	CL2 - 19 CL1 - 2	28	28	26	36	36	50
	Front left	14.9'/4.53m	CL2 - 19 CL1 - 2	29	28	26	36	36	50
	Rear right	15.1'/4.60m	CL2 - 20 CL1 - 2	29	28	27	37	37	51
	Rear left	15.1'/4.61m	CL2 - 20 CL1 - 2	29	28	27	37	37	51

For correct chain tension, chain links may need to be removed from the end of the chain as follows:

CL2 Disc Chain - unhook disc chain link/s from end of the disc chain

CL1 Disc Chain - unhook disc chain link/s from end of the disc chain

K4 Disc Chain - unhook disc chain link/s from end of the disc chain

Spiked Disc Chain - cut a disc chain link from the end of the disc chain

R300 Disc Chain - cut a disc chain link from the end of the disc chain

W36 Disc Chain - cut a disc chain link from the end of the disc chain

Prickle Chain - cut a prickle chain link from the end of the prickle chain







