

# 4012

A large green Kelly Tillage System Model 4012 is shown from a top-down perspective. The machine features a central vertical frame with two long, curved arms extending outwards, each equipped with a series of sharp, pointed tines. A horizontal beam with four large black tires is positioned below the central frame. The entire machine is set against a white background with green decorative elements.

Kelly 

## Kelly Tillage System Model 4012 Assembly Manual

Revision G - January 2022

Serial Number:

Kelly Tillage  
PO Box 100  
Booleroo Centre  
South Australia 5482  
P +61 8 8667 2253  
W [kellytillage.com](http://kellytillage.com)

# Thank you for choosing a Kelly Tillage product

We trust that you find the following manual clear and easy to follow. If you should require additional customer support or assistance, please do not hesitate to contact us.

Spare parts can be purchased, as required, through your local dealer or by contacting Kelly Tillage directly.

Kelly welcomes feedback. Should you have any difficulties that you wish to raise, suggestions for improvement or modifications that you feel would enhance our products we look forward to hearing from you.

## **Kelly Tillage**

**PO Box 100**

**Booleroo Centre SA 5482**

**Phone:** + 61 8 8667 2253

**Email:** sales@kellytillage.com

**Spare Parts:** parts@kellytillage.com

**Website:** www.kellytillage.com

## **Spare Parts - USA**

**Hood & Company Inc**

**Springfield MO**

**Phone:** +1 417 865 2100

**Fax:** +1 417 865 2105

**Email:** parts@hoodco.com

## **Spare Parts - Canada**

**Adair Sales & Marketing Company Inc**

**Swift Current SK**

**Phone:** +1 306 773 0996

**Fax:** +1 306 778 7421

**Email:** info@adairreps.com

# Contents

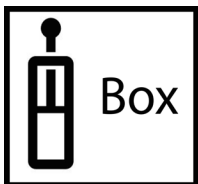
	Page Number
Section 1: Unpacking	4
Section 2: Assembly	7
Section 3: Decal Application	119
Section 4: Light Kit	140
Section 5: Chain Assembly	154
Section 6: Diagrams & Specifications	164
Section 7: Pre-Delivery Checklist	168



This symbol indicates which bag the relevant fasteners are in



This symbol indicates which bag the relevant hydraulics are in



This symbol indicates the hydraulics are in a box



This symbol indicates which way the machine is travelling

# Section 1

Unpacking

# Unpacking

*We recommend the use of suitable lifting equipment with a lifting capacity of at least 4 tonnes.*



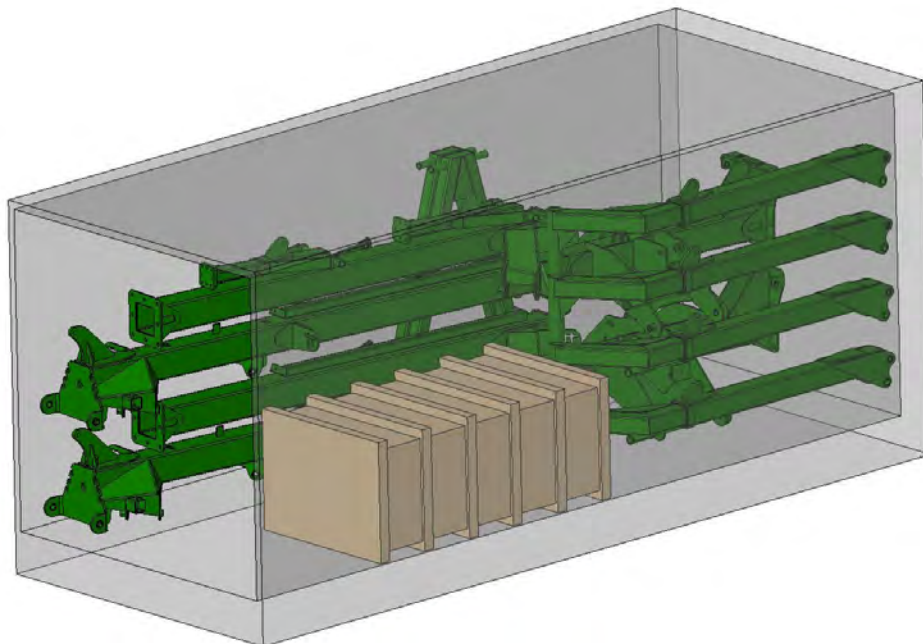
- Before unloading any loads please inspect exterior for damage

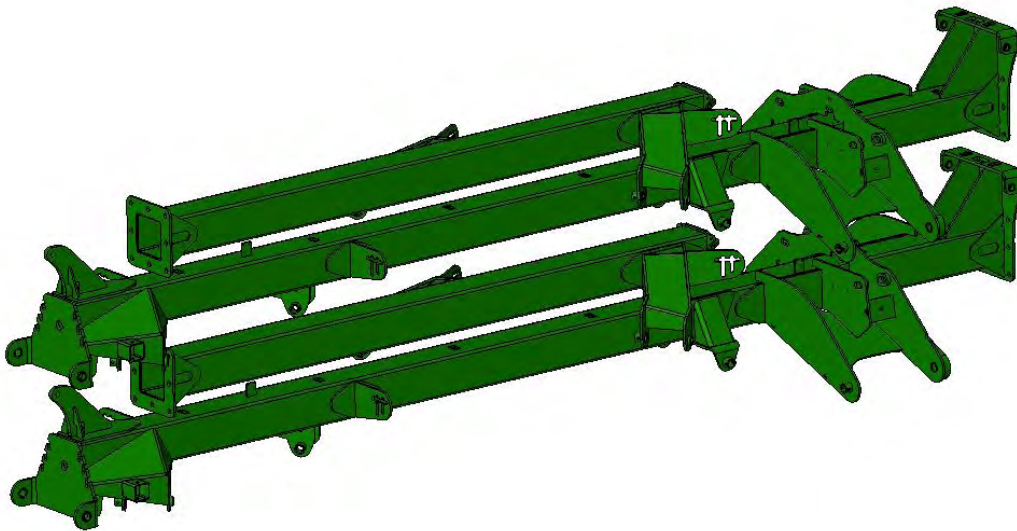


## CAUTION

**Take care when opening doors as load may have shifted or restraints may have broken.**

- Remove boxes from doorway of container one at a time using a forklift truck. Each box weighs approximately 5512 lbs (2500kg)
- Check strapping on each bundle before attempting to remove
- Attach chains to the packing frame using shackles and using suitable equipment (eg. fork-lift or tractor) drag framework bundles out of container. To move bundles away from front of container lift from side with forklift. Do not lift under angle iron frame, lift only under centre frame. Each bundle weighs approximately 7000 lb (3200 kg).





### **CAUTION**

Before cutting straps attach slings or chains and take the weight of the frames to avoid them slipping or falling and causing injury.



### **CAUTION**

Wear eye and hand protection when cutting straps. Sharp edges are exposed as straps separate and may cause injury.



### **CAUTION**

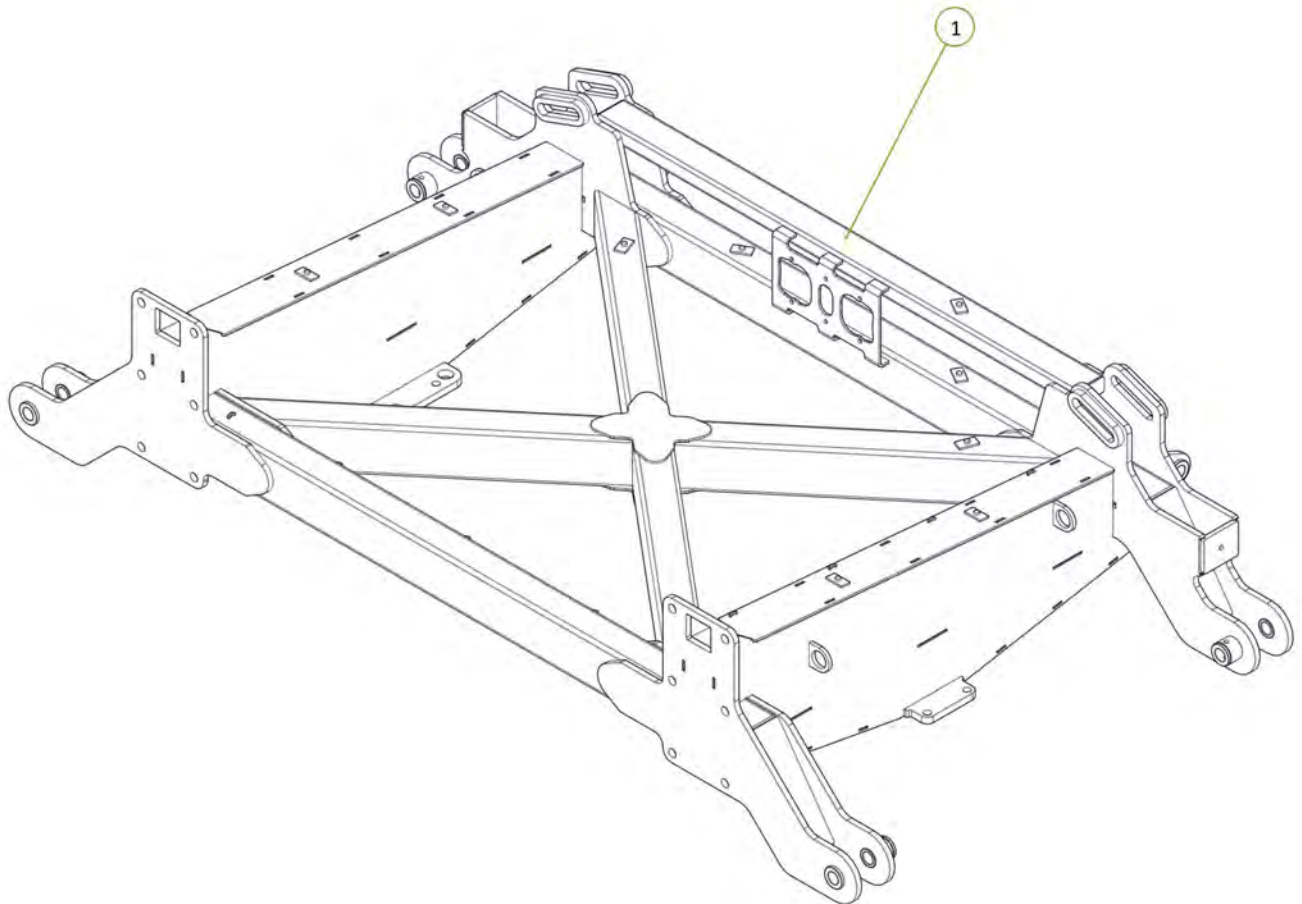
To avoid falling or moving components, before cutting straps attach slings or chains to individual pieces and only cut the straps holding the piece to be lifted.

- Remove boxes from rear of container one at a time using a forklift truck. Each box weighs approximately 5512 lbs (2500 kg)
- Cut straps holding bundles and separate parts and place in assembly area
- Once all parts have been identified, the machine is ready for assembly
- Identify parts for each machine by serial no. or description and separate. Open parts box and check that all parts are accounted for against checklist
- Read assembly instructions before proceeding.

# Section 2

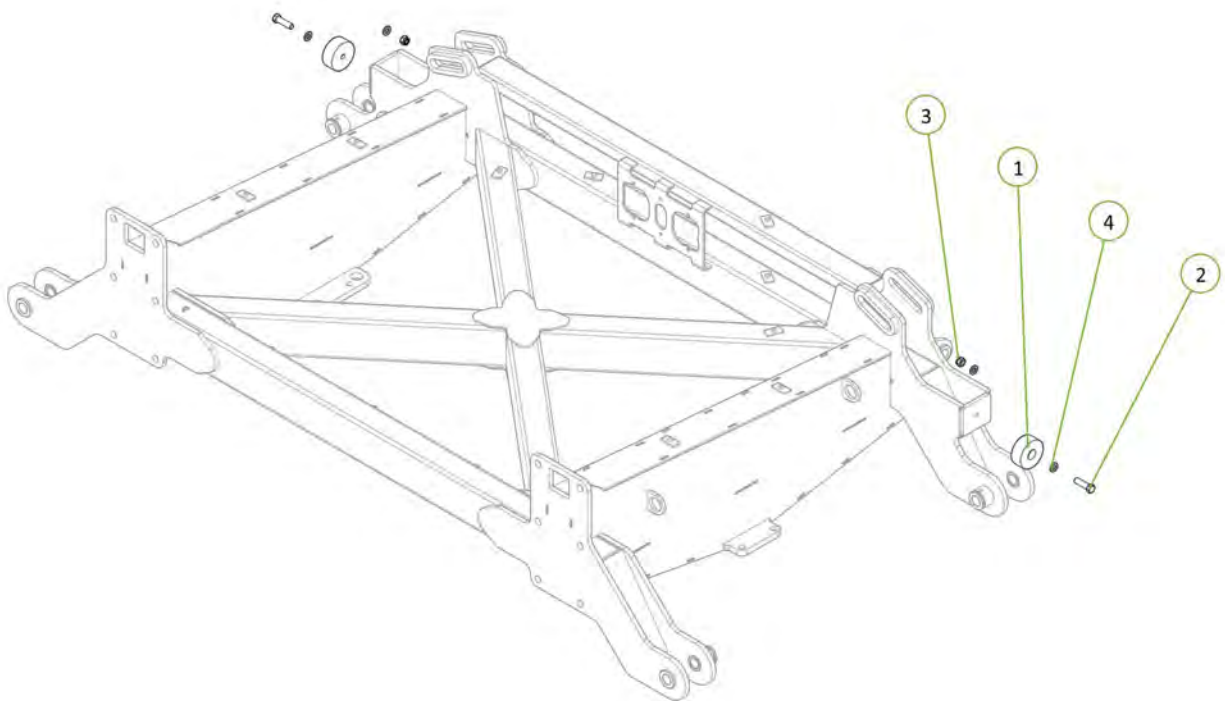
Assembly

Item No.	Description	Qty	Number
1	40' Centre Frame	1	1540-01-1

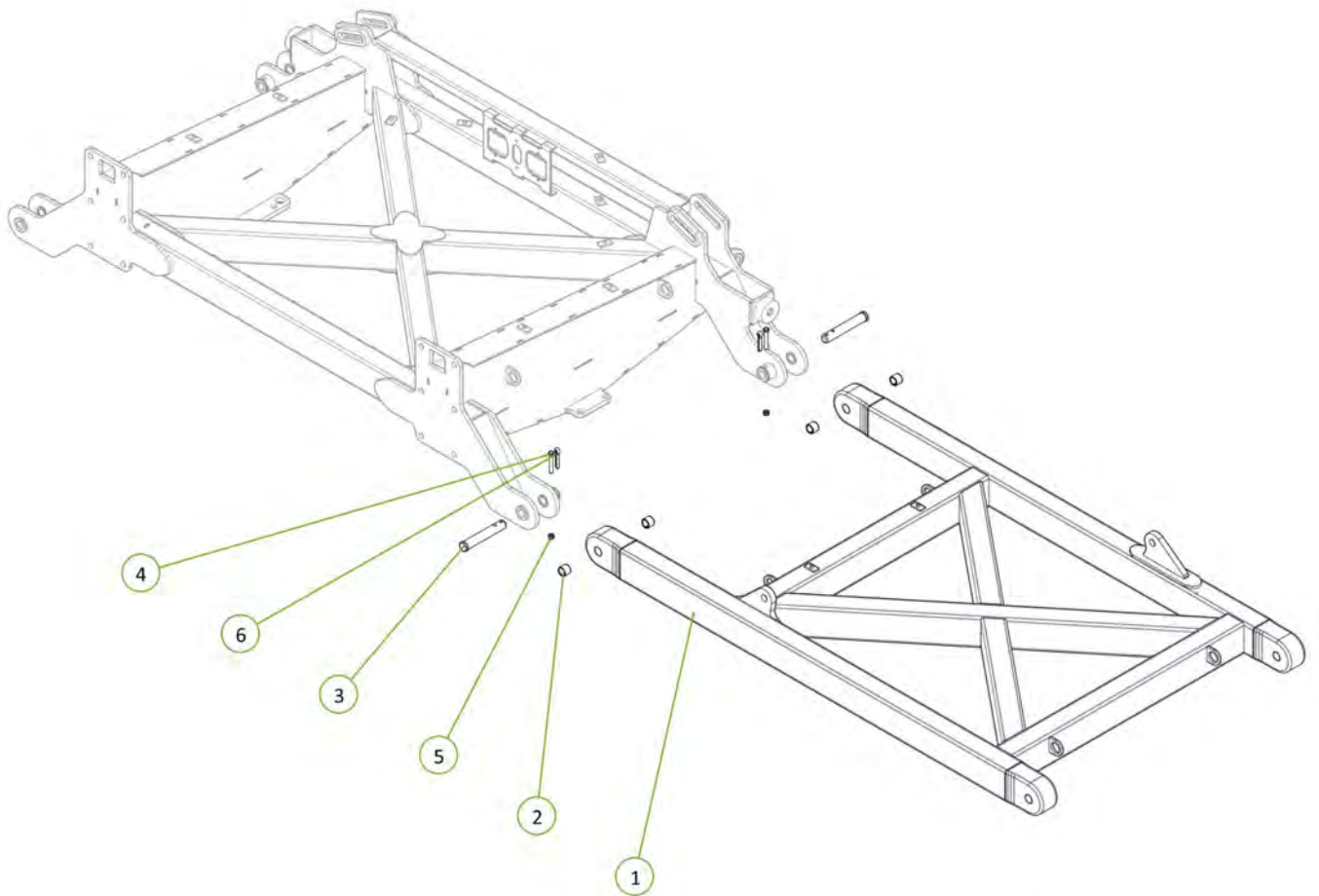




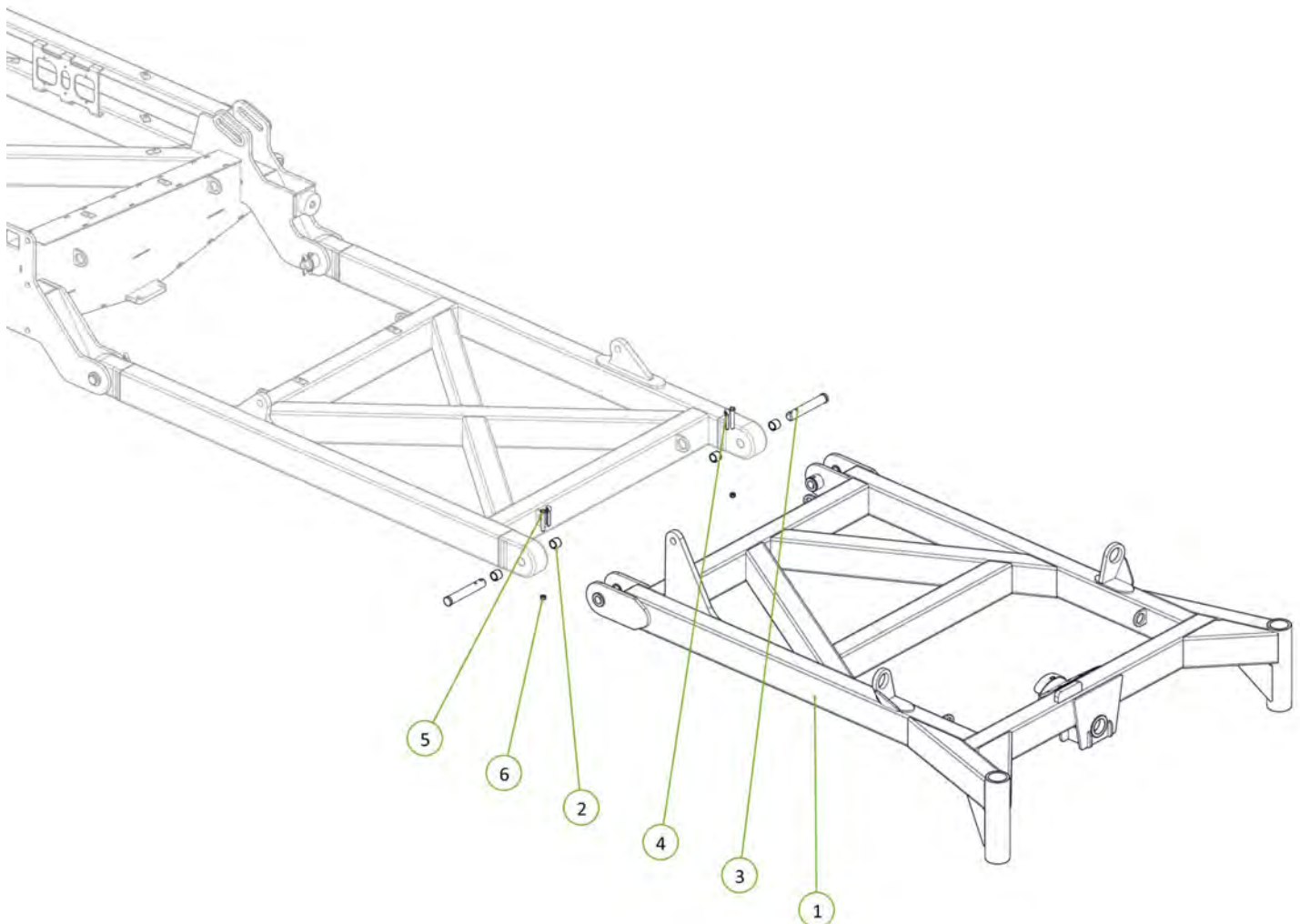
Item No.	Description	Qty	Number
1	Wing Folding Buffer	2	1201-12
2	M16 x 60 grade 8.8 zp Bolt	2	0211-1660
3	Nyloc Nut M16	2	0221-NYL16
4	Washer Flat M16	4	0231-F16



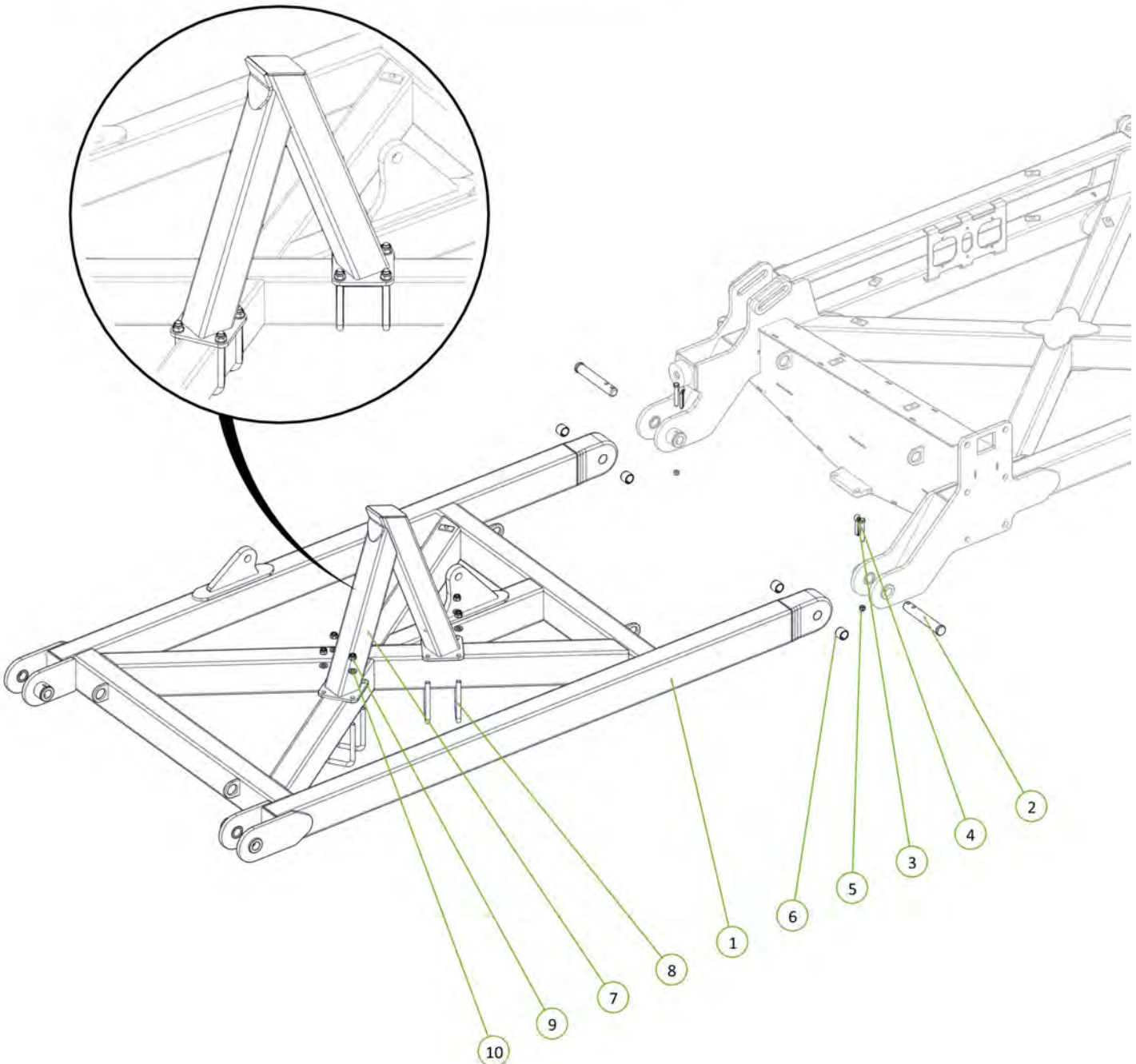
Item No.	Description	Qty	Number
1	40' LH Inner Wing	1	1540-05-3
2	35 ID x 30mm DU Bush	4	0113-MB3530DU
3	PCH Wing Pivot Pin	2	0801-10-08-235
4	M12 x 90 Class 10.9 ZP Bolt	2	0211-1290HT
5	Nyloc Nut M12	2	0221-NYL12
6	Cotter Pin M13 x 63	2	0261-PINC1363



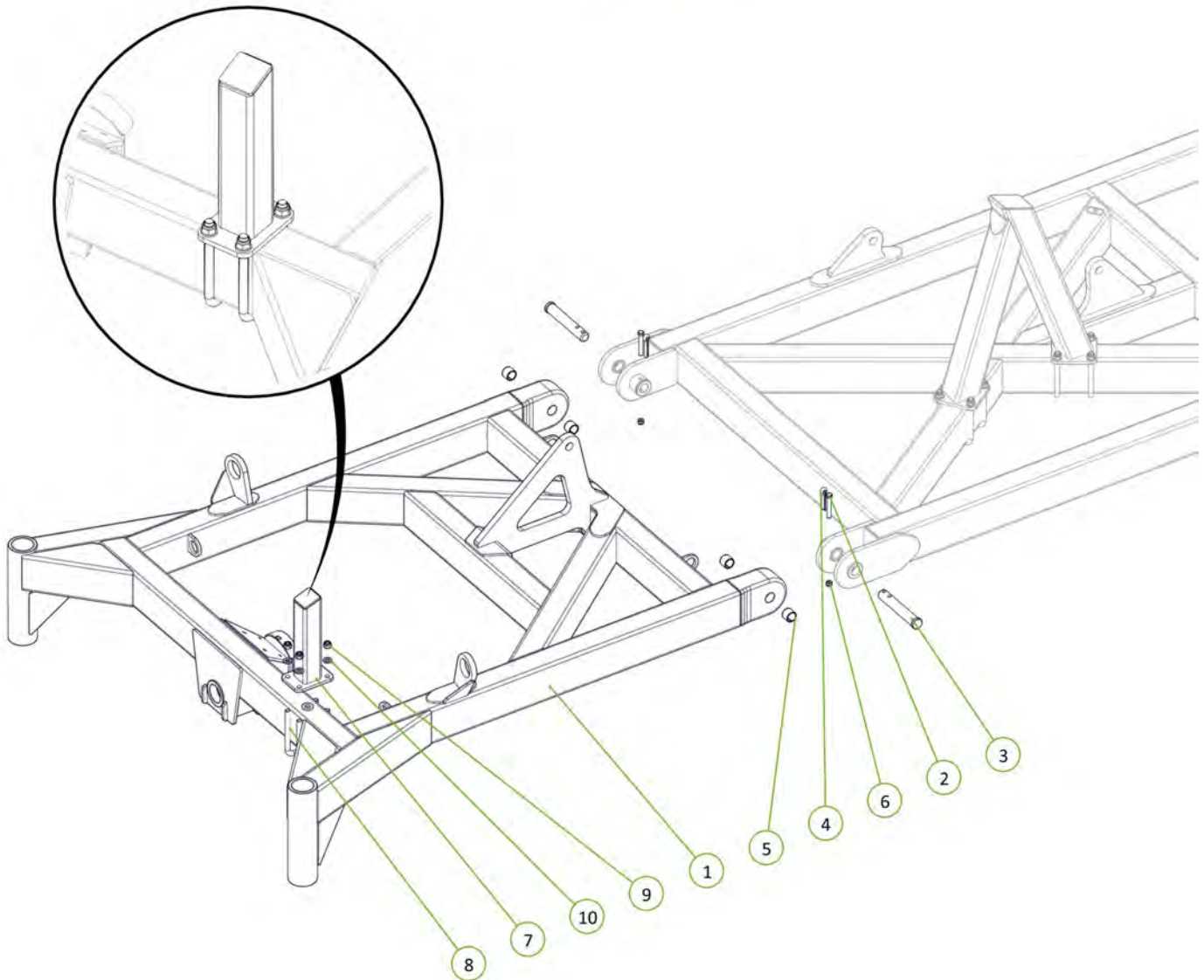
Item No.	Description	Qty	Number
1	40' LH Outer Wing	1	1540-07-2
2	35 ID x 30mm DU Bush	4	0113-MB3530DU
3	PCH Wing Pivot Pin	2	0801-10-08-235
4	Cotter Pin M13 x 63	2	0261-PINC1363
5	M12 x 90 Class 10.9 ZP Bolt	2	0211-1290HT
6	Nyloc Nut M12	2	0221-NYL12



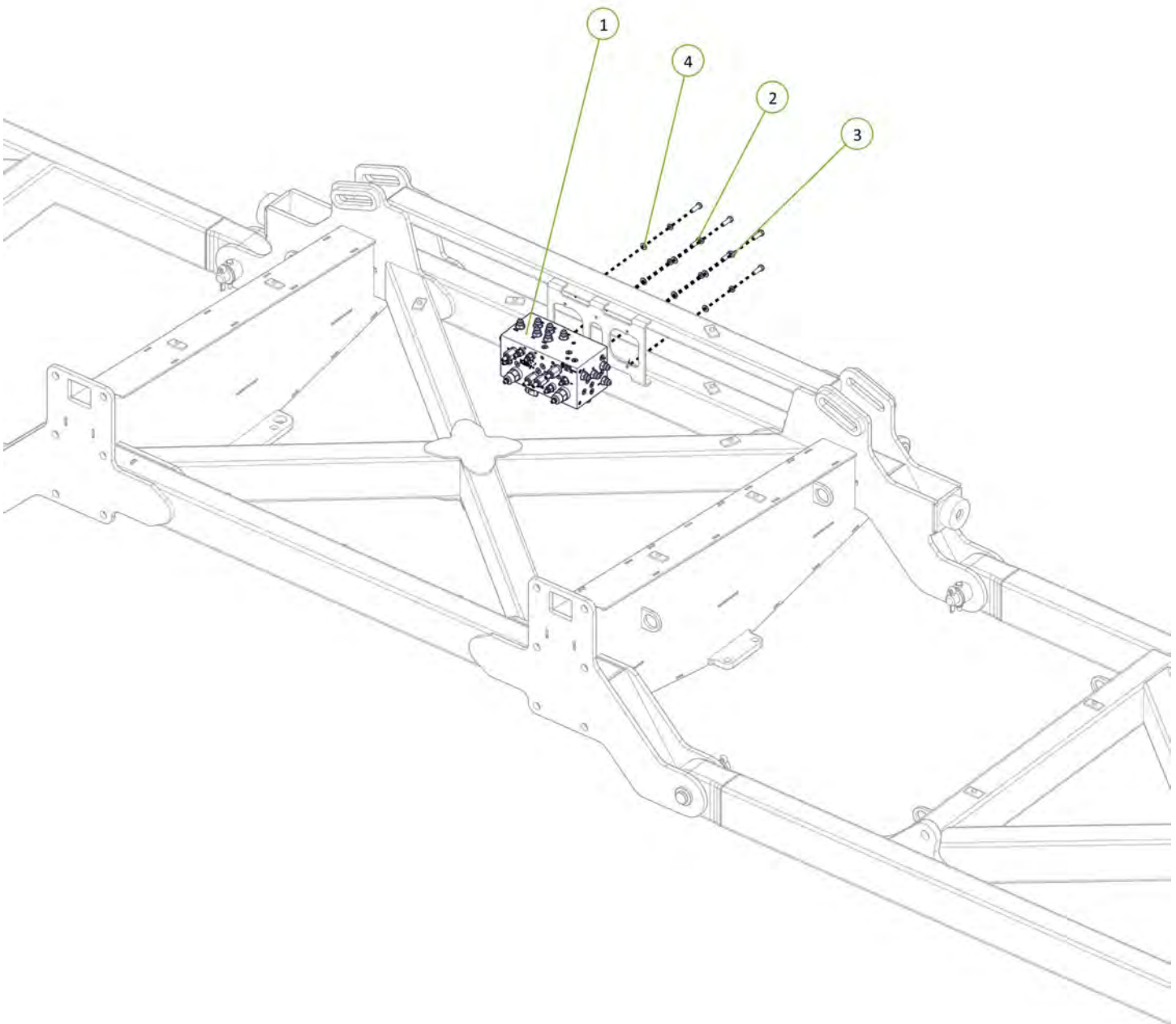
Item No.	Description	Qty	Number
1	40' RH Inner Wing	1	1540-04-3
2	PCH Wing Pivot Pin	2	0801-10-08-235
3	Cotter Pin M13 x 63	2	0261-PINC1363
4	M12 x 90 Class 10.9 ZP Bolt	2	0211-1290HT
5	Nyloc Nut M12	2	0221-NYL12
6	35 ID x 30mm DU Bush	4	0113-MB3530DU
7	Inner Wing Post	1	1510-244
8	U-Bolt M16 x 185 Deep x 104 Wide	4	0271-16185104
9	Nyloc Nut M16	8	0221-NYL16
10	Washer Flat M16	8	0231-F16



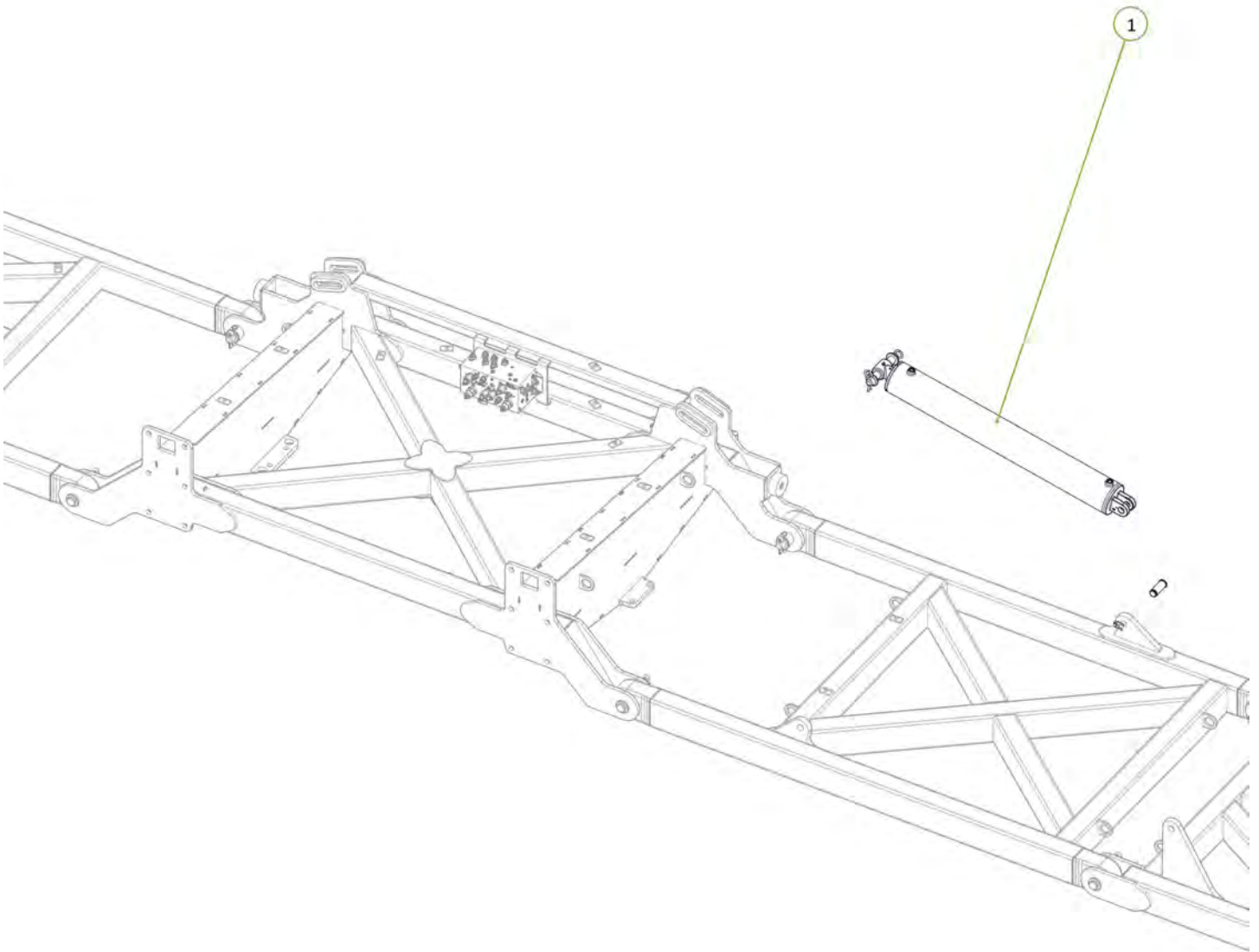
Item No.	Description	Qty	Number
1	40" RH Outer Wing	1	1540-06-2
2	M12 x 90 Class 10.9 ZP Bolt	2	0211-1290HT
3	PCH Wing Pivot Pin	2	0801-10-08-235
4	Cotter Pin M13 x 63	2	0261-PINC1363
5	35 ID x 30mm DU Bush	4	0113-MB3530DU
6	Nyloc Nut M12	2	0221-NYL12
7	Right Hand Outer Wing Post	1	1510-241
8	U-Bolt M16 x 185 Deep x 104 Wide	2	0271-16185104
9	Nyloc Nut M16	4	0221-NYL16
10	Washer Flat M16	4	0231-F16

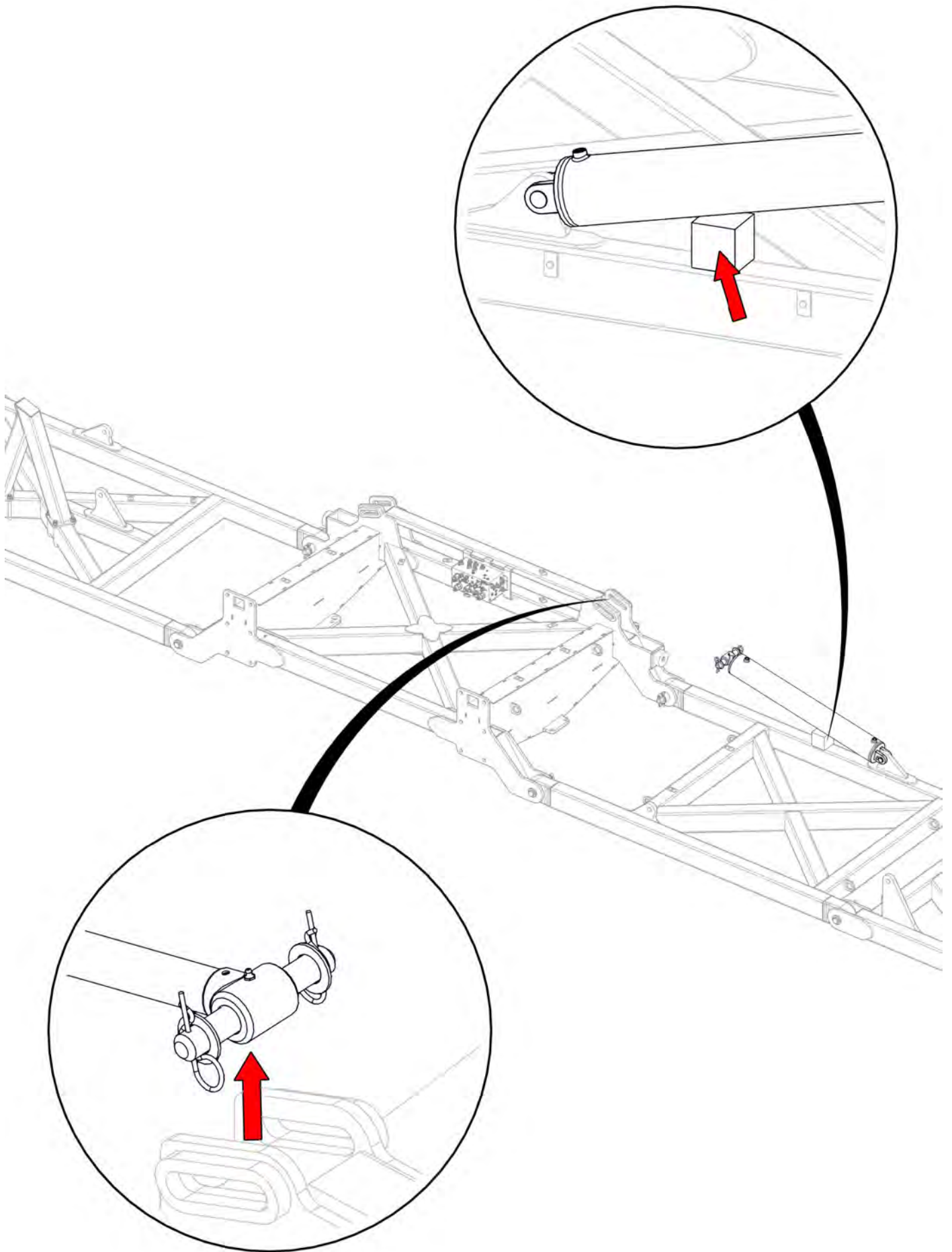


Item No.	Description	Qty	Number
1	Dual Circuit 3 Stage Sequence Manifold V12.5	1	0802-692196
2	M10 x 30 grade 8.8 ZP Bolt	6	0211-1035
3	Washer Spring M10	6	0231-S10
4	Washer Flat M10	6	0231-F10



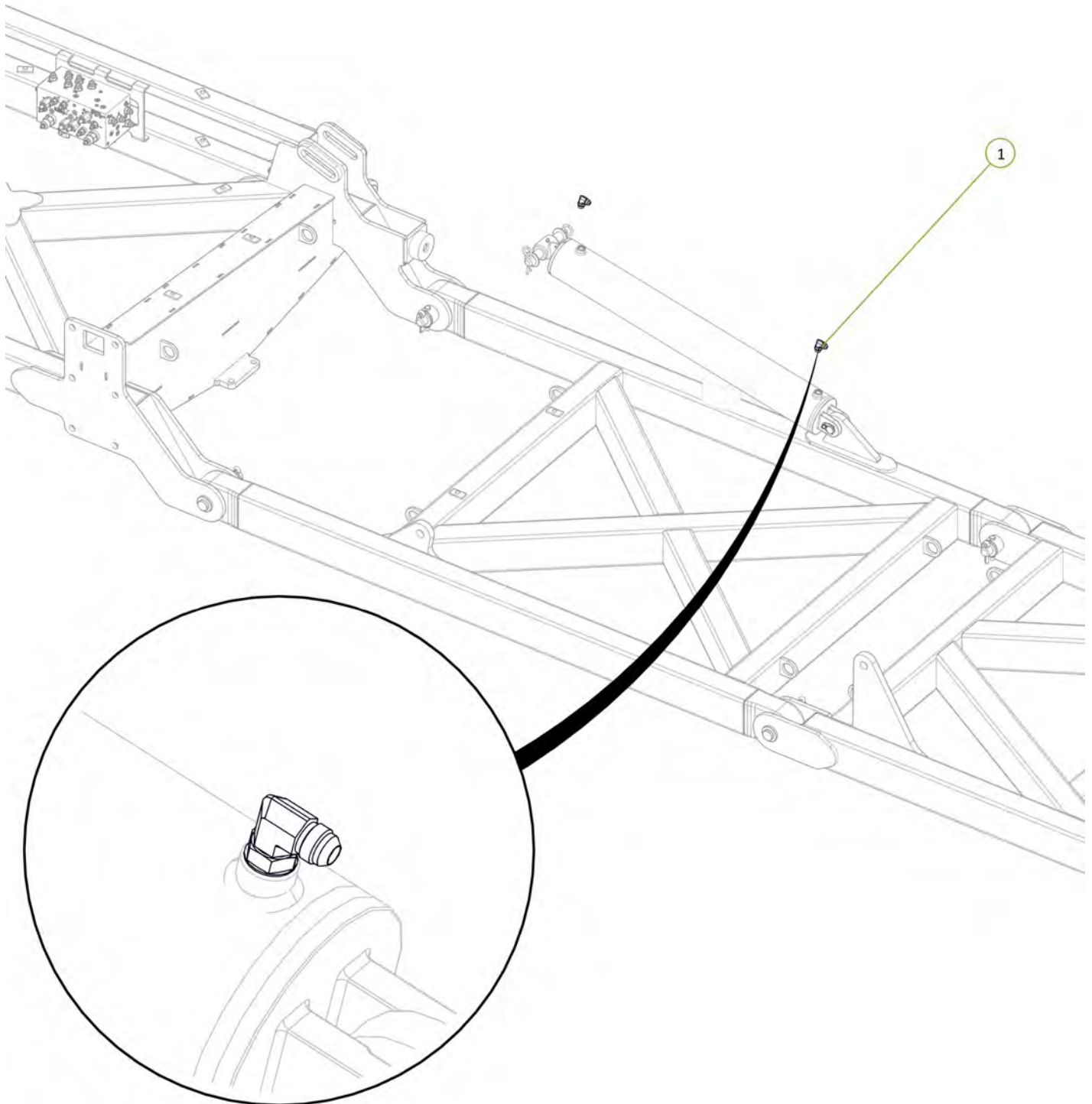
Item No.	Description	Qty	Number
1	5" Bore 36" Stroke 3 1/8" S/Tube 2" Rod Hydraulic Cylinder	1	0311-536ST



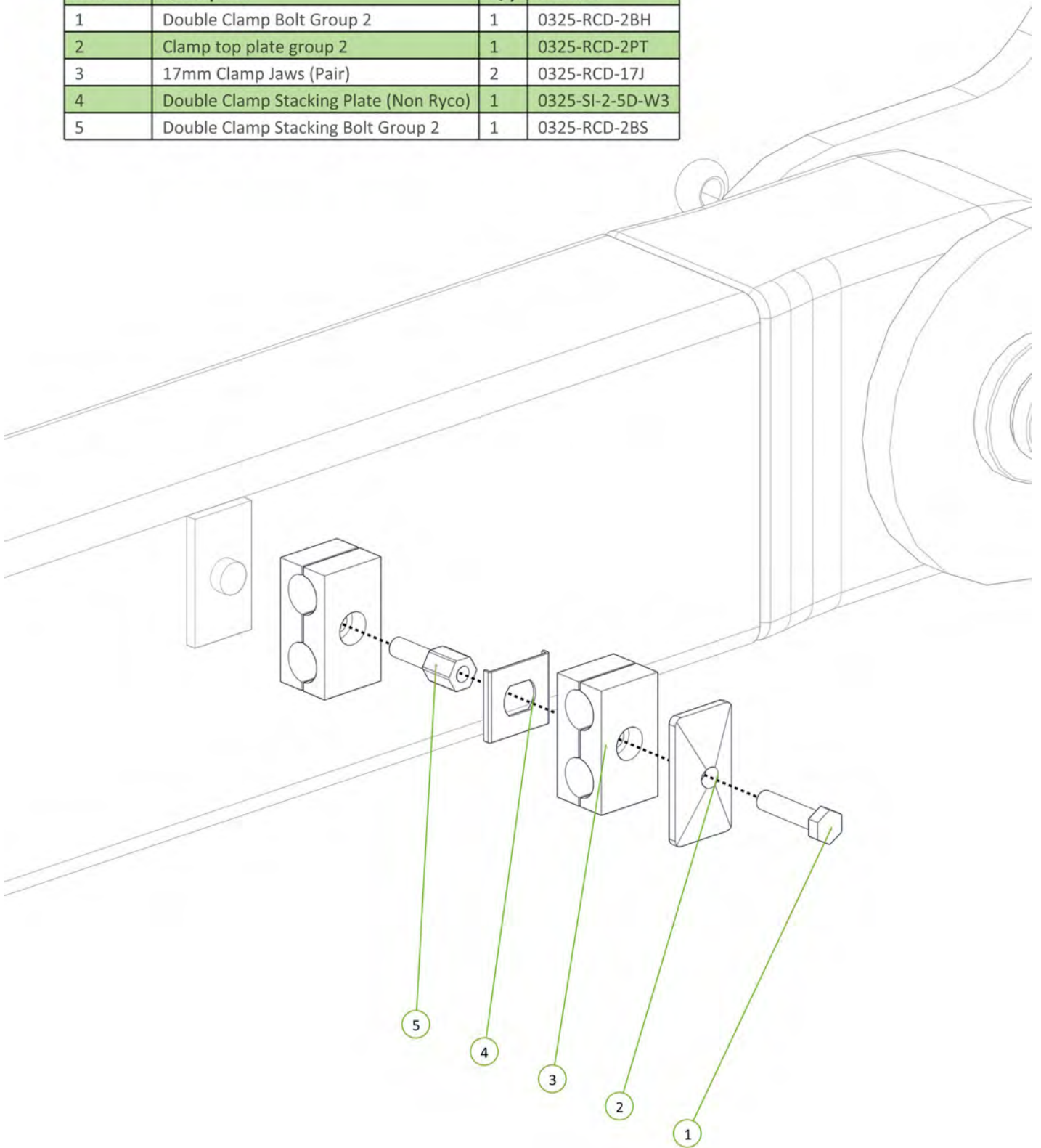




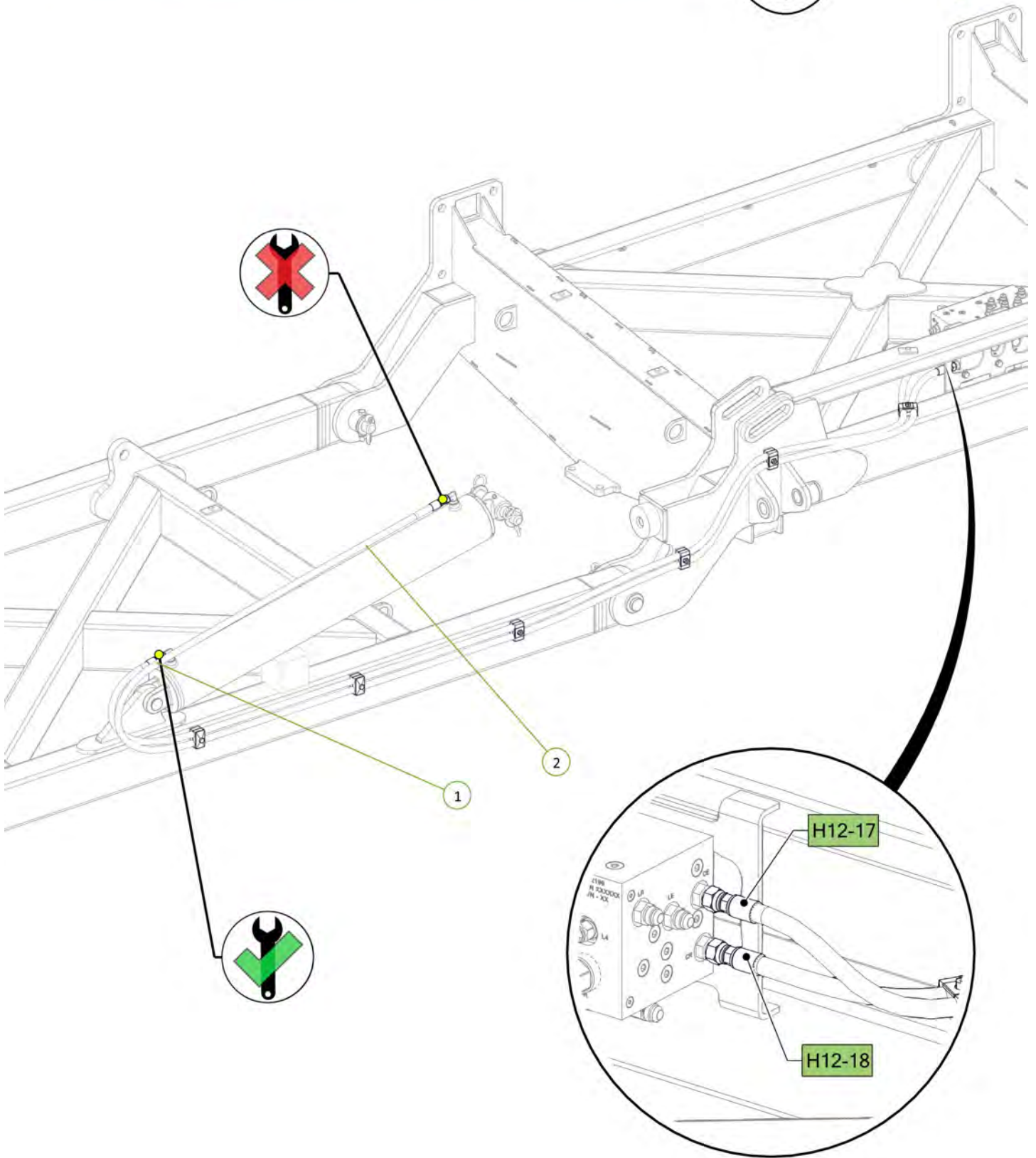
Item No.	Description	Qty	Number
1	3/4" JIC Male 3/4" UN O Ring Male 90° Elbow	2	0323-S91-1212



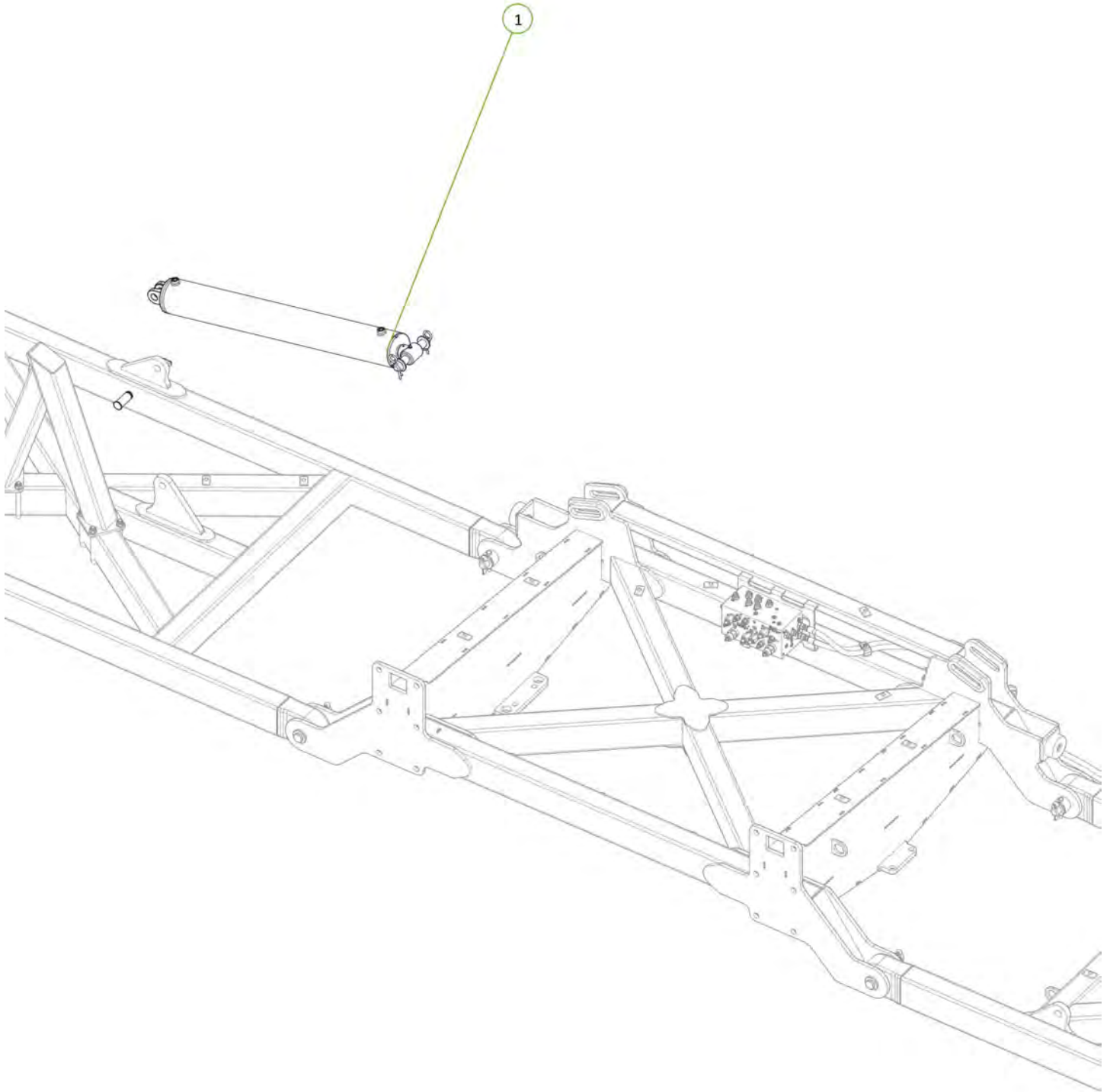
Item No.	Description	Qty	Number
1	Double Clamp Bolt Group 2	1	0325-RCD-2BH
2	Clamp top plate group 2	1	0325-RCD-2PT
3	17mm Clamp Jaws (Pair)	2	0325-RCD-17J
4	Double Clamp Stacking Plate (Non Ryco)	1	0325-SI-2-5D-W3
5	Double Clamp Stacking Bolt Group 2	1	0325-RCD-2BS

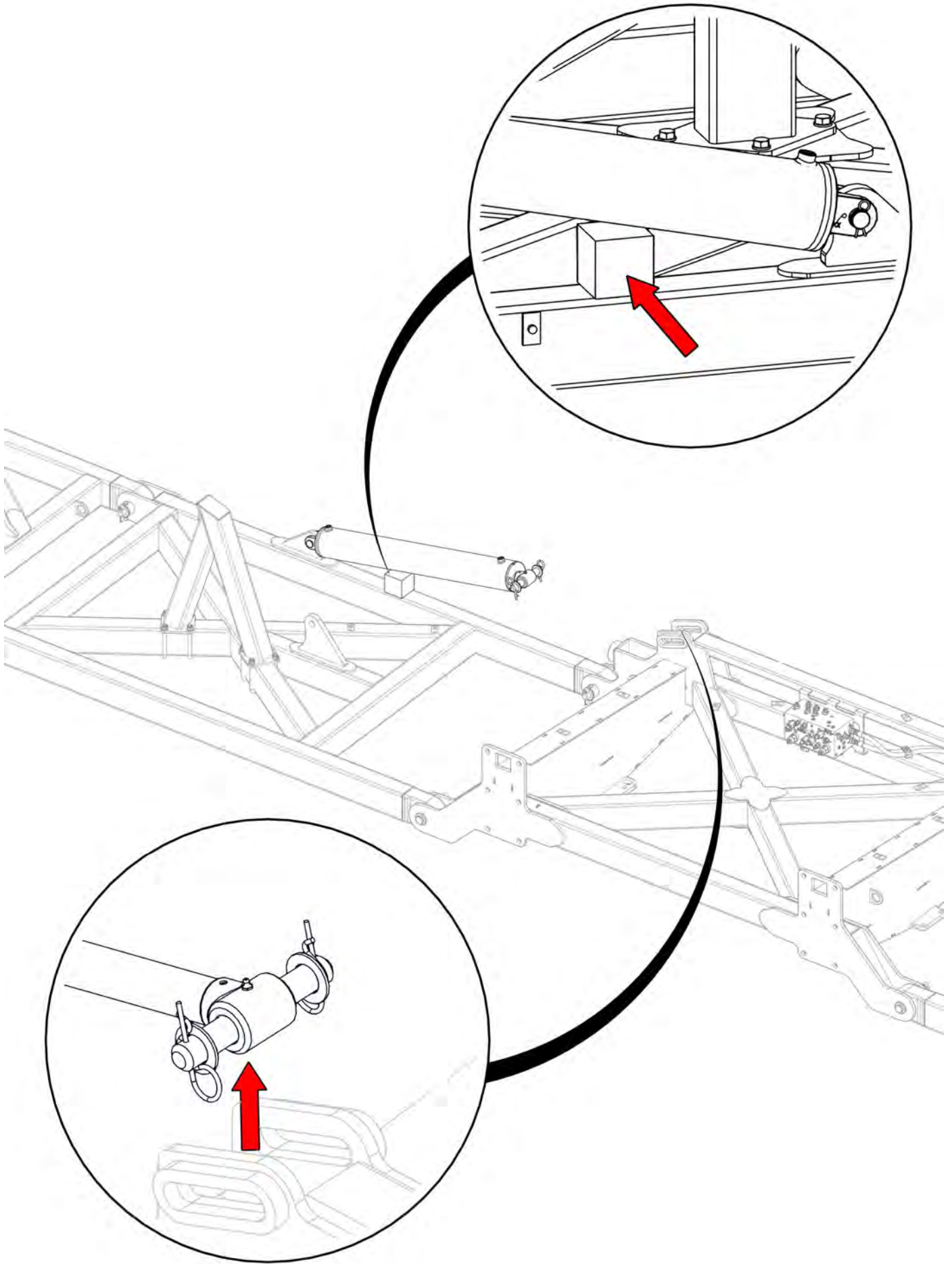


Item No.	Description	Qty	Number
1	Left CE Port to LH Main Wing Cylinder Extend Port	1	H12-17
2	Left CR Port to LH Main Wing Cylinder Retract Port	1	H12-18

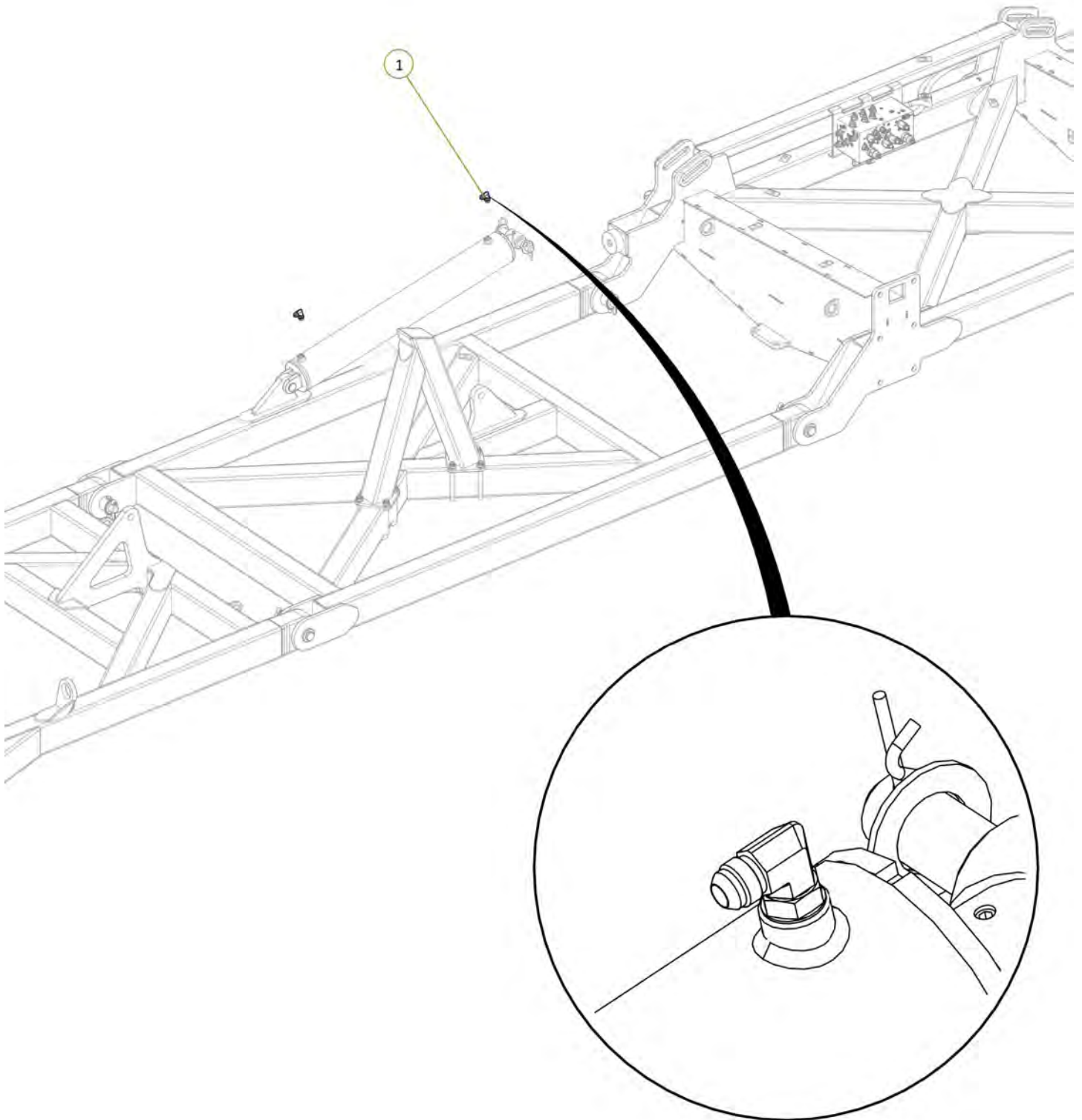


Item No.	Description	Qty	Number
1	5" Bore 36" Stroke 3 1/8" S/Tube 2" Rod Hydraulic Cylinder	1	0311-536ST

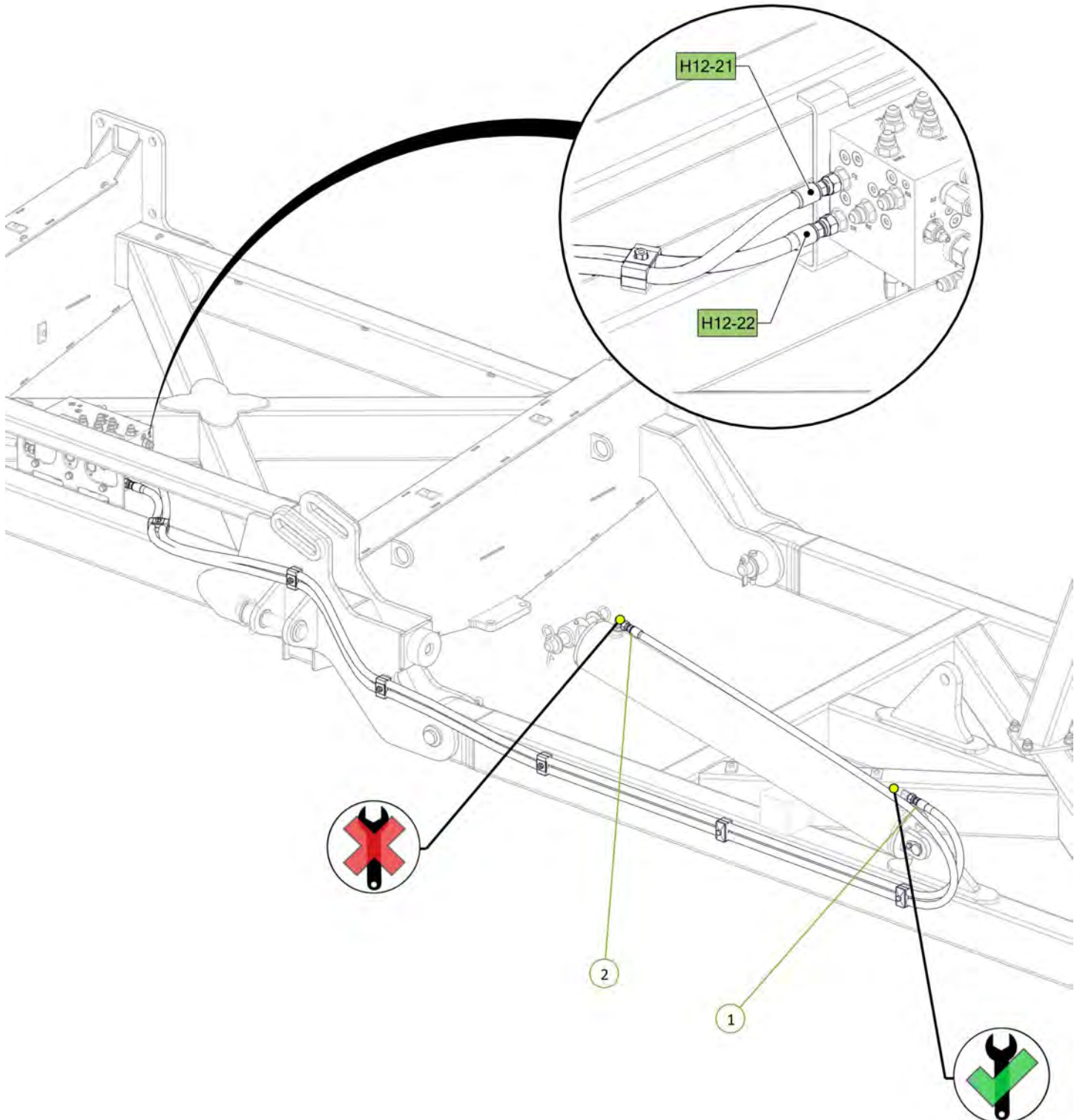




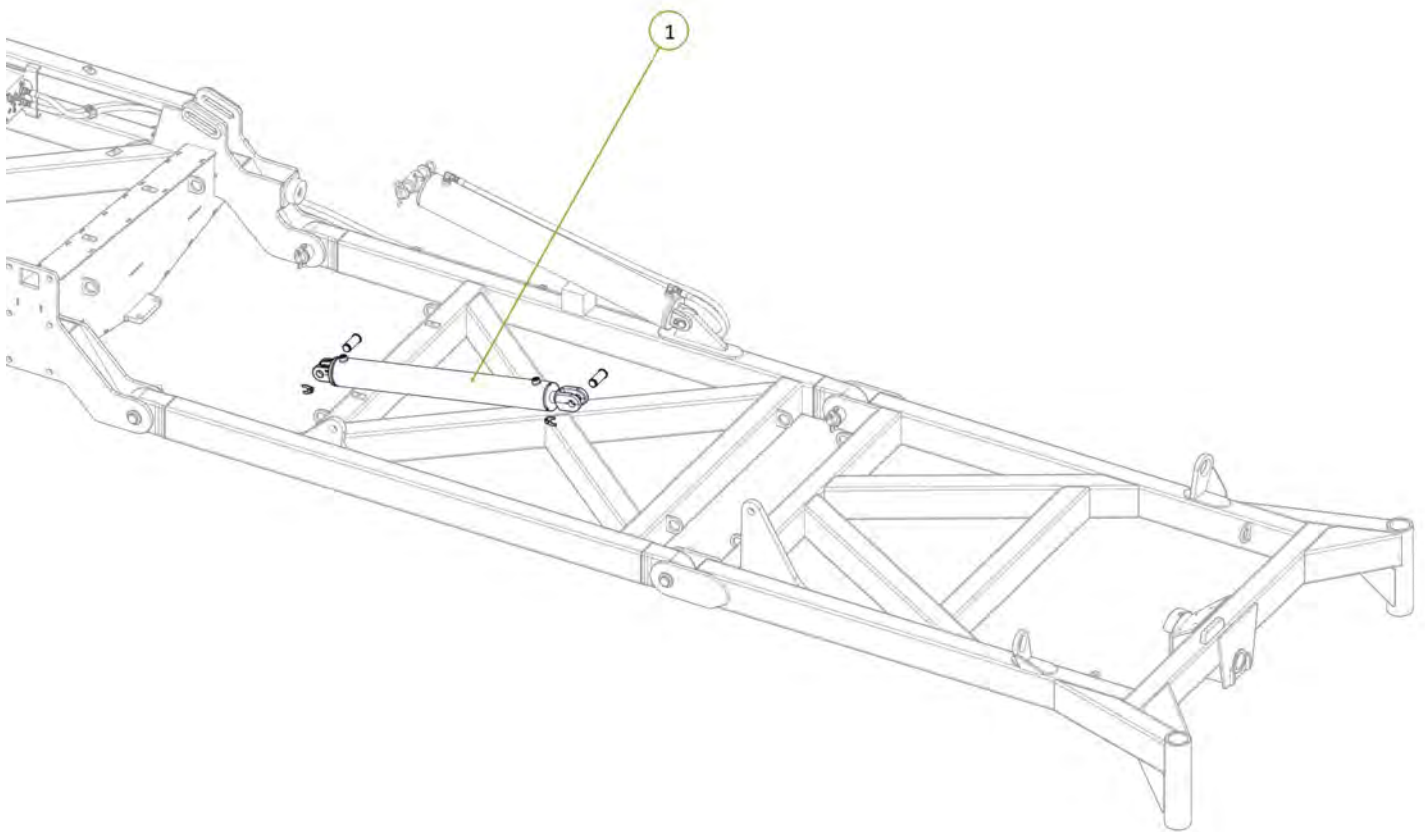
Item No.	Description	Qty	Number
1	3/4" JIC Male 3/4" UN O Ring Male 90° Elbow	2	0323-S91-1212



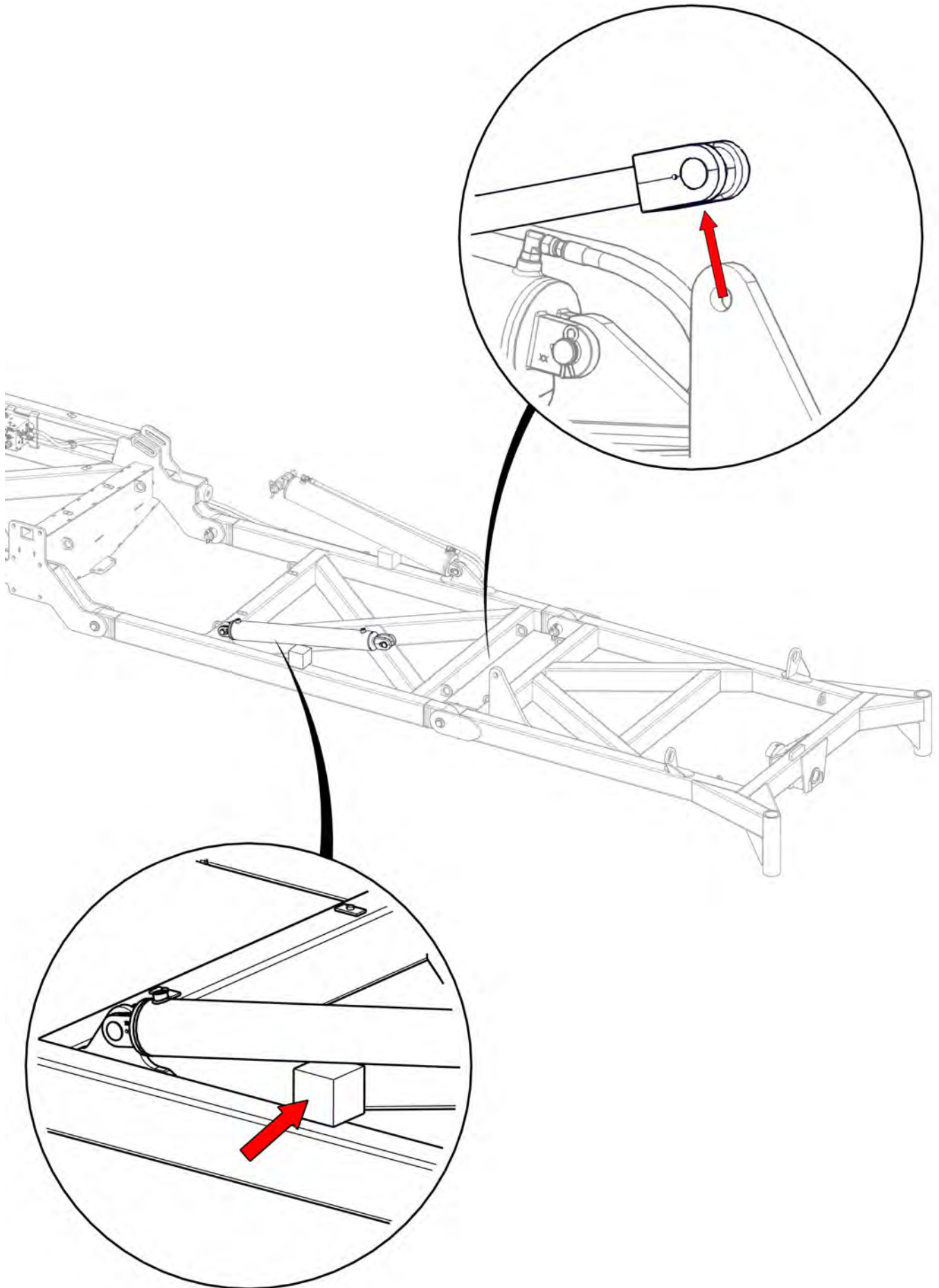
Item No.	Description	Qty	Number
1	Right CE Port to RH Main Wing Cylinder Extend Port	1	H12-21
2	Right CR Port to RH Main Wing Cylinder Retract Port	1	H12-22



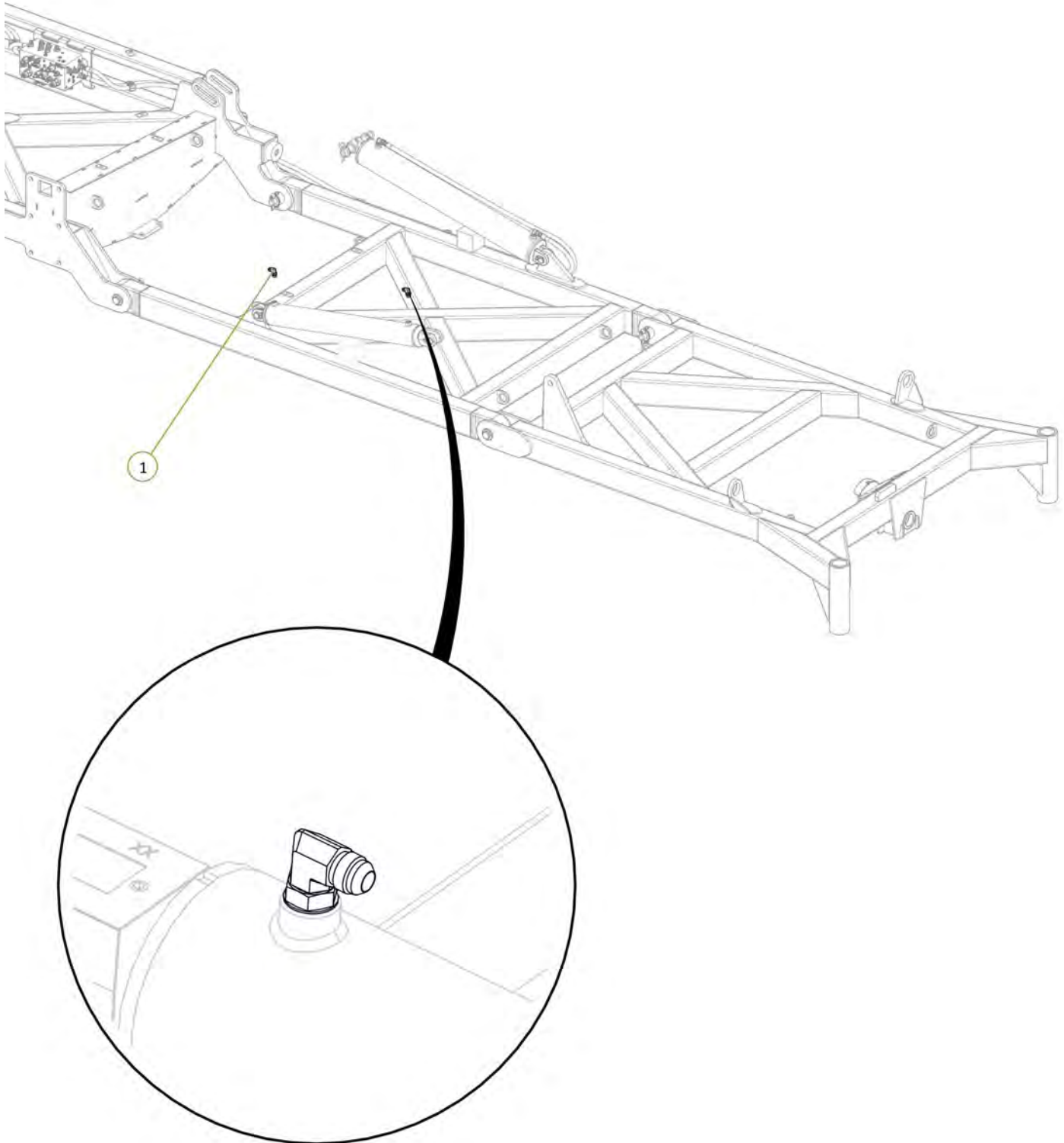
Item No.	Description	Qty	Number
1	4" Bore 30" Stroke 3" S/Tube 1.75" Rod Hydraulic Cylinder with Stop Tube & Clevis	1	0311-430ST-C2



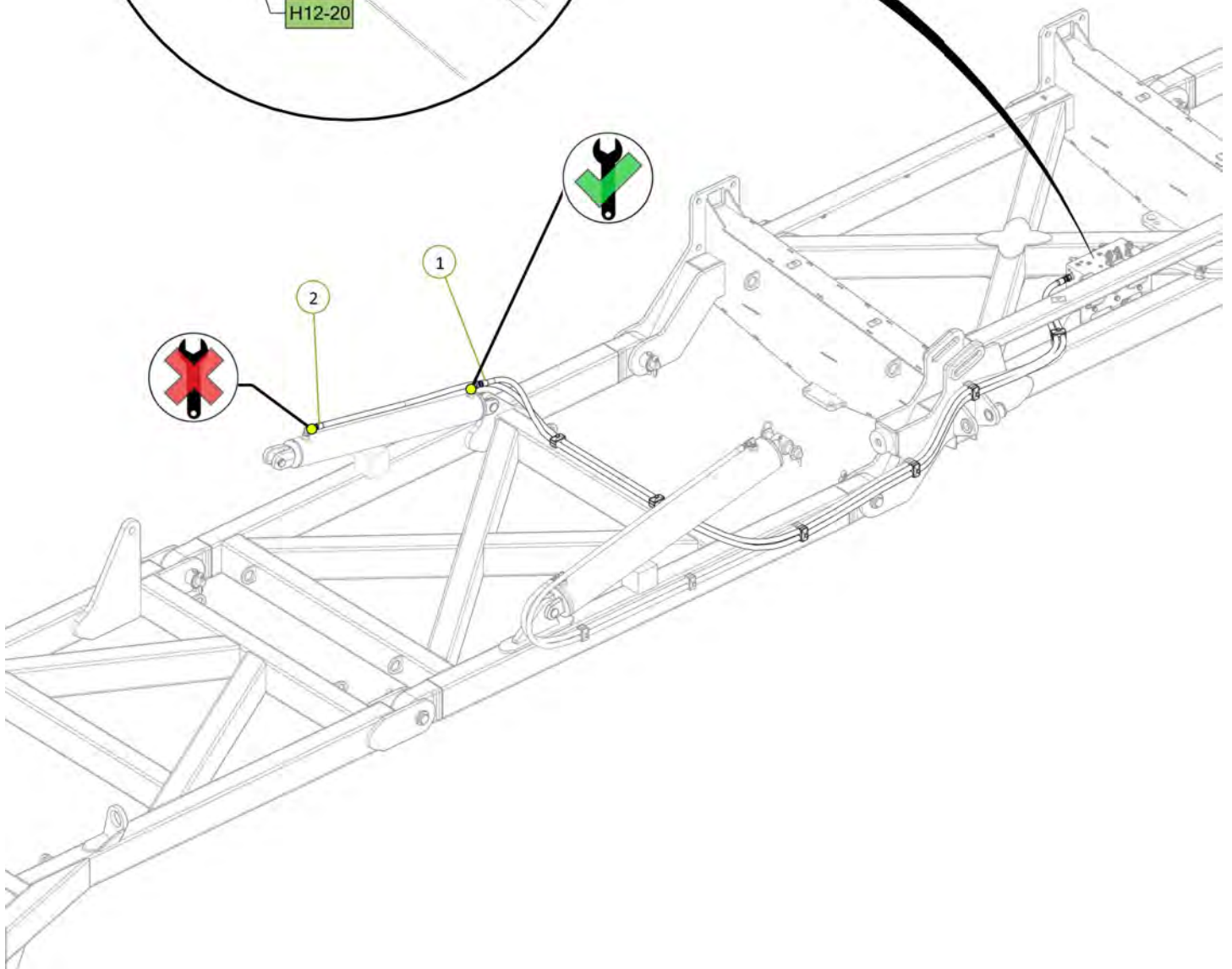
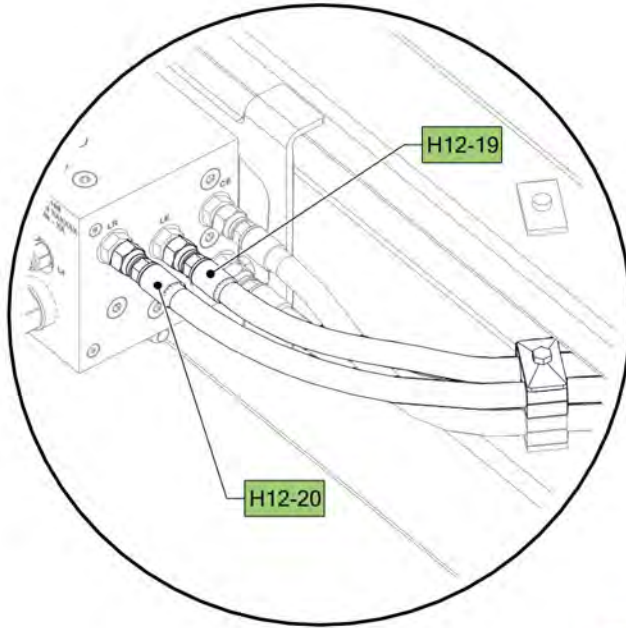




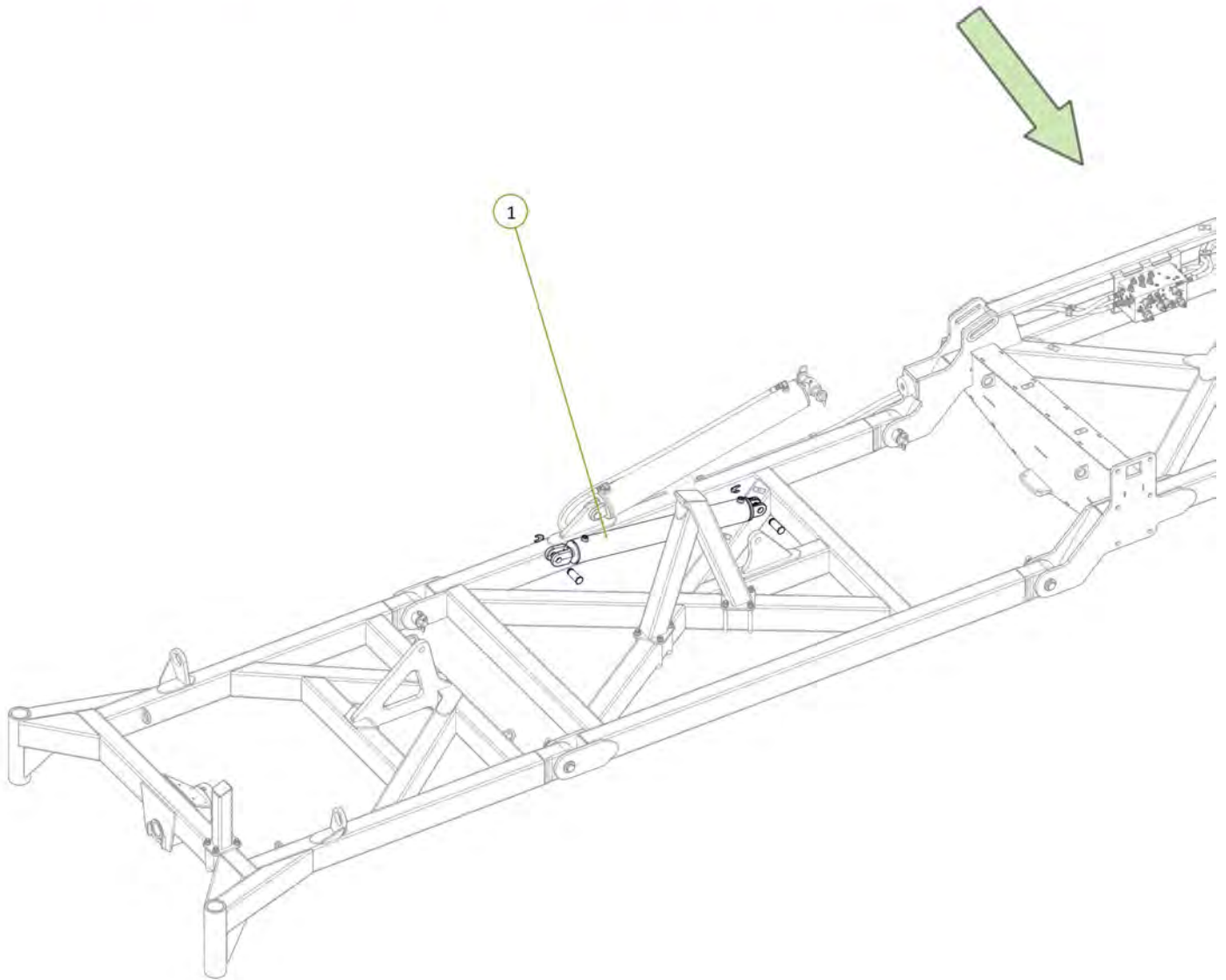
Item No.	Description	Qty	Number
1	3/4" JIC Male 3/4" UN O Ring Male 90° Elbow	2	0323-S91-1212

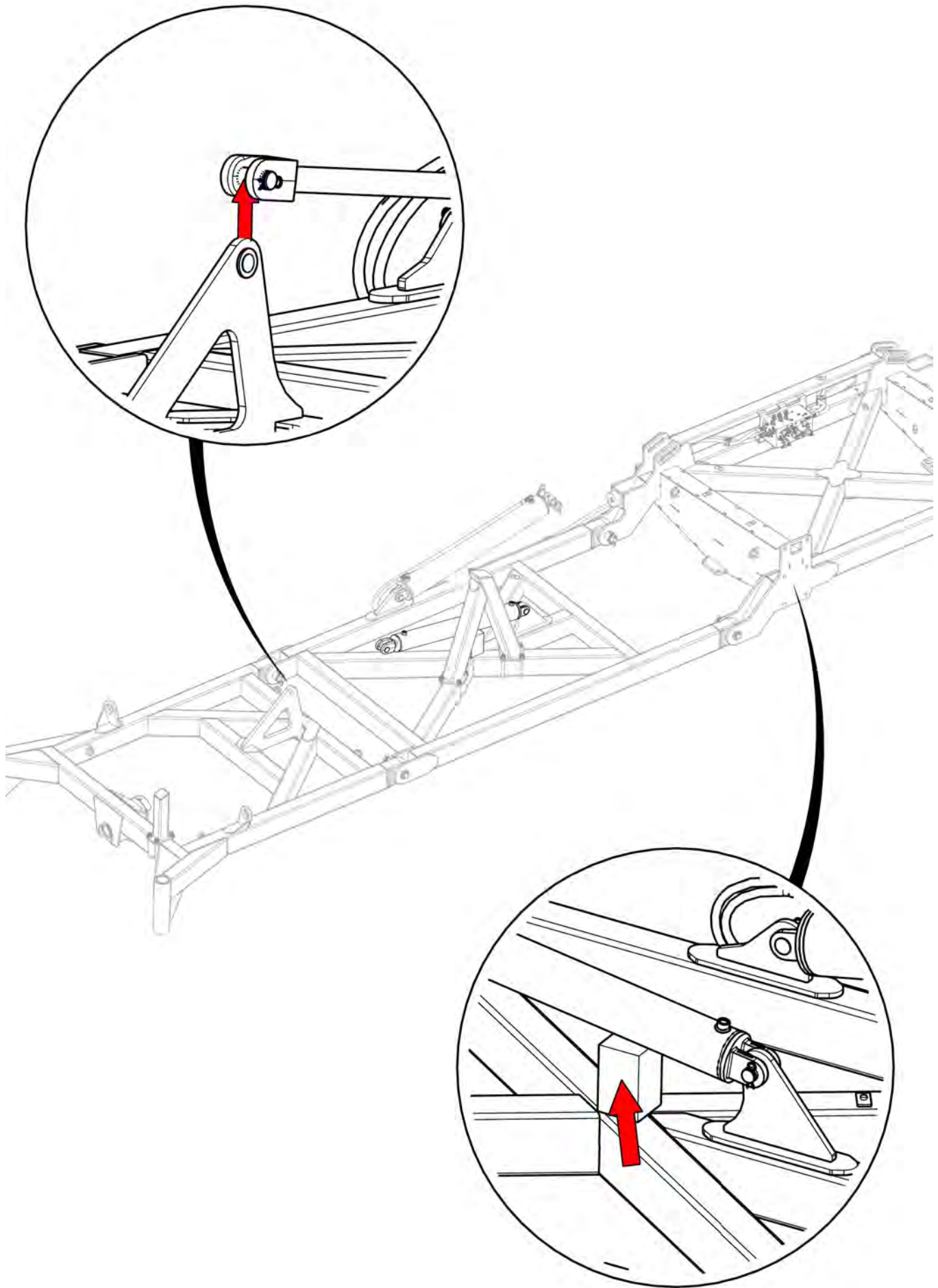


Item No.	Description	Qty	Number
1	LE Port to LH Outer Wing Cylinder Extend Port	1	H12-19
2	LR Port to LH Outer Wing Cylinder Retract Port	1	H12-20

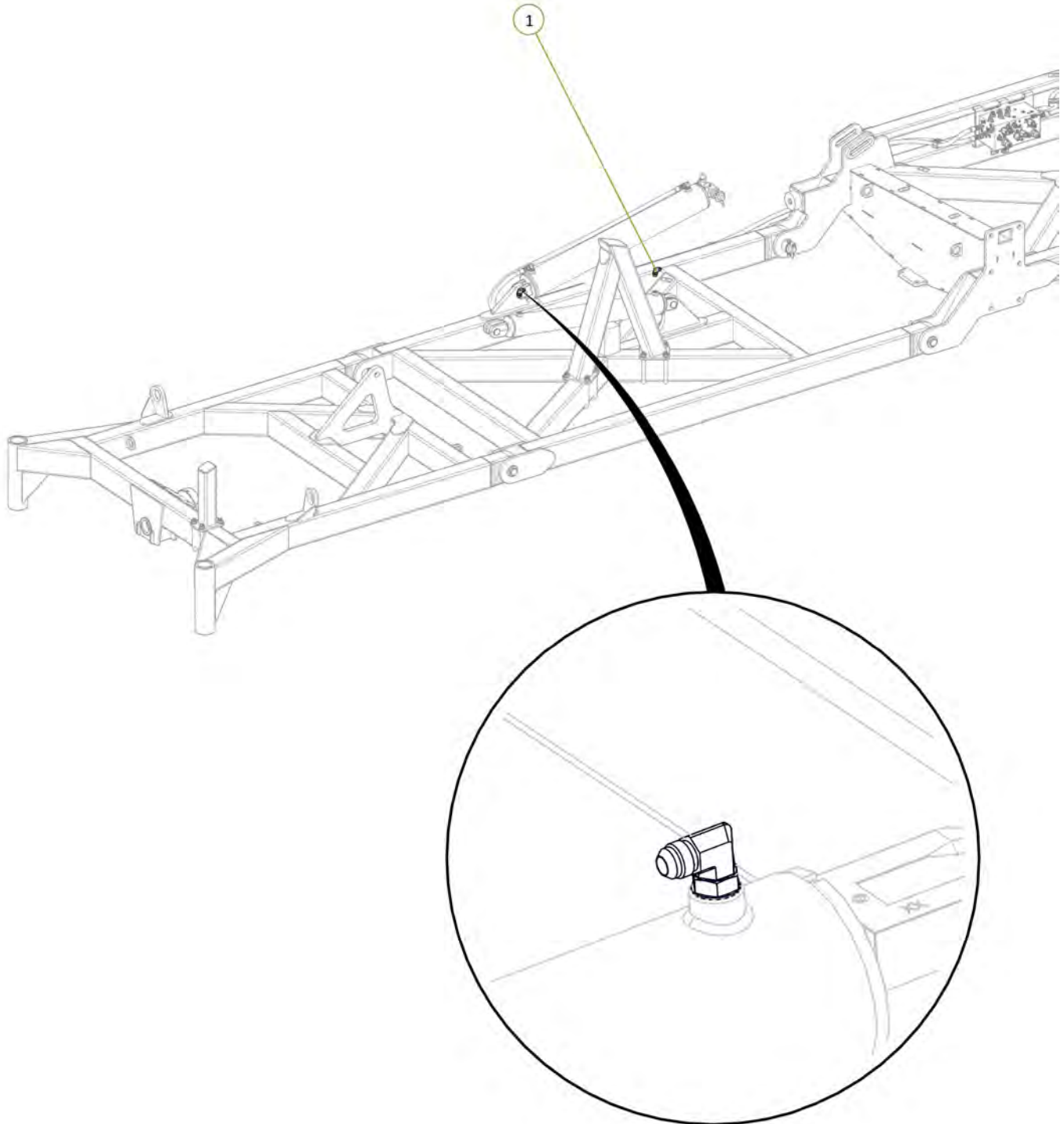


Item No.	Description	Qty	Number
1	4" Bore 30" Stroke 3" S/Tube 1.75" Rod Hydraulic Cylinder with Stop Tube & Clevis	1	0311-430ST-C2

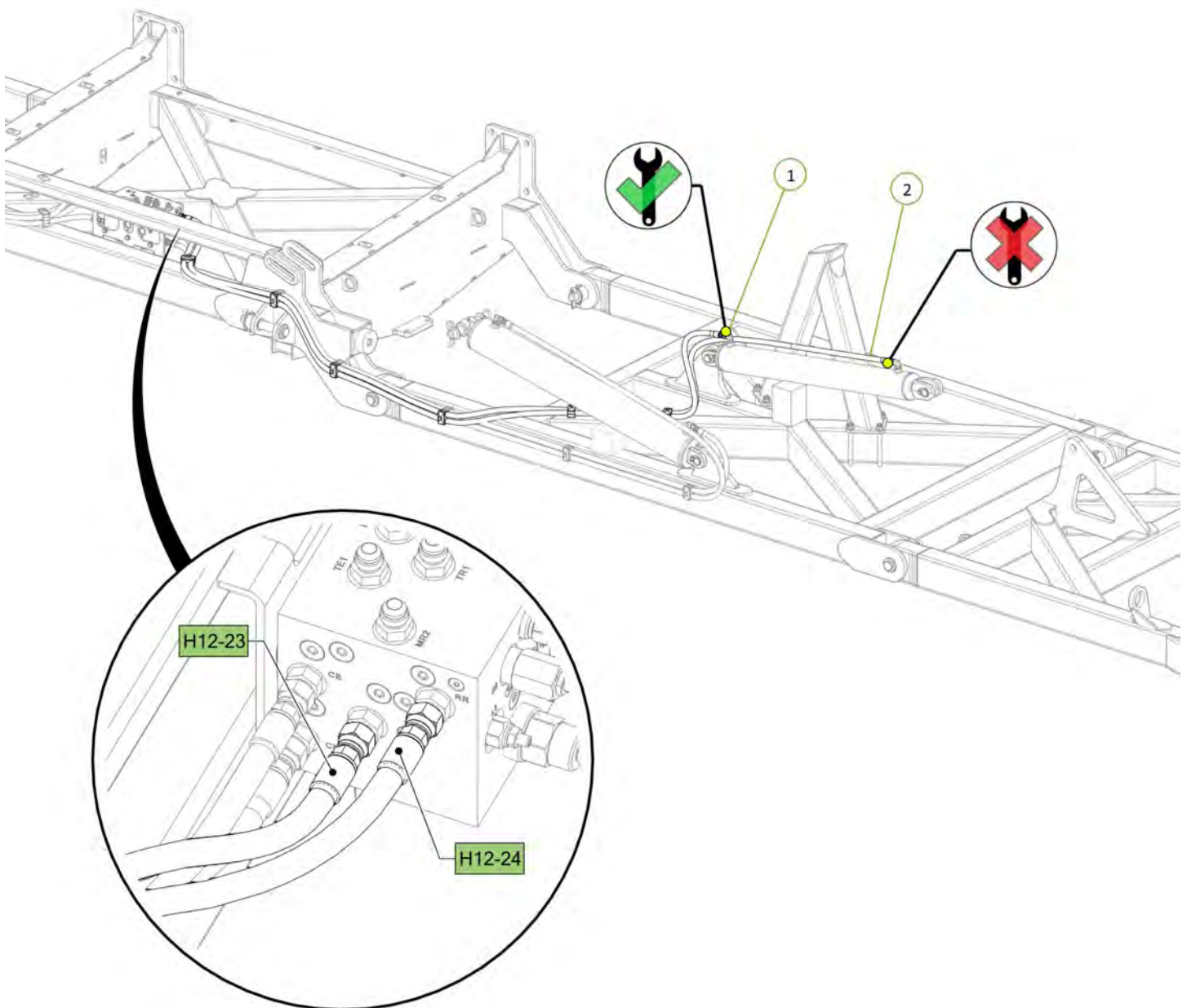




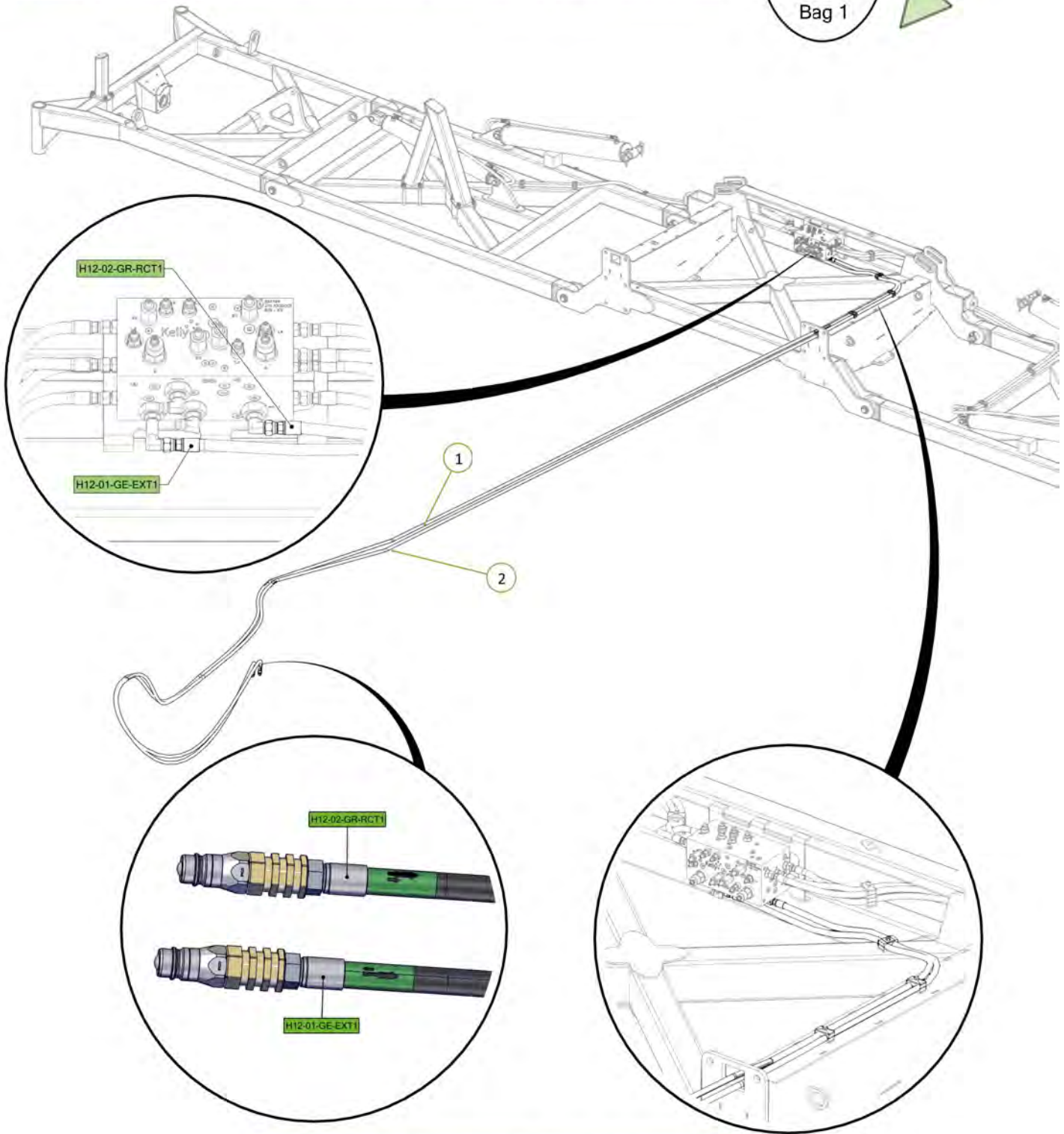
Item No.	Description	Qty	Number
1	3/4" JIC Male 3/4" UN O Ring Male 90° Elbow	2	0323-S91-1212



Item No.	Description	Qty	Number
1	RE Port to RH Outer Wing Cylinder Extend Port	1	H12-23
2	RR Port to RH Outer Wing Cylinder Retract Port	1	H12-24



Item No.	Description	Qty	Number
1	Tractor to Sequence Valve EXT1 Port Fitted With Green EXT Decal	1	H12-01-GE-EXT1
2	Tractor to Sequence Valve RCT1 Port Fitted With Green RET Decal	1	H12-02-GR-RCT1

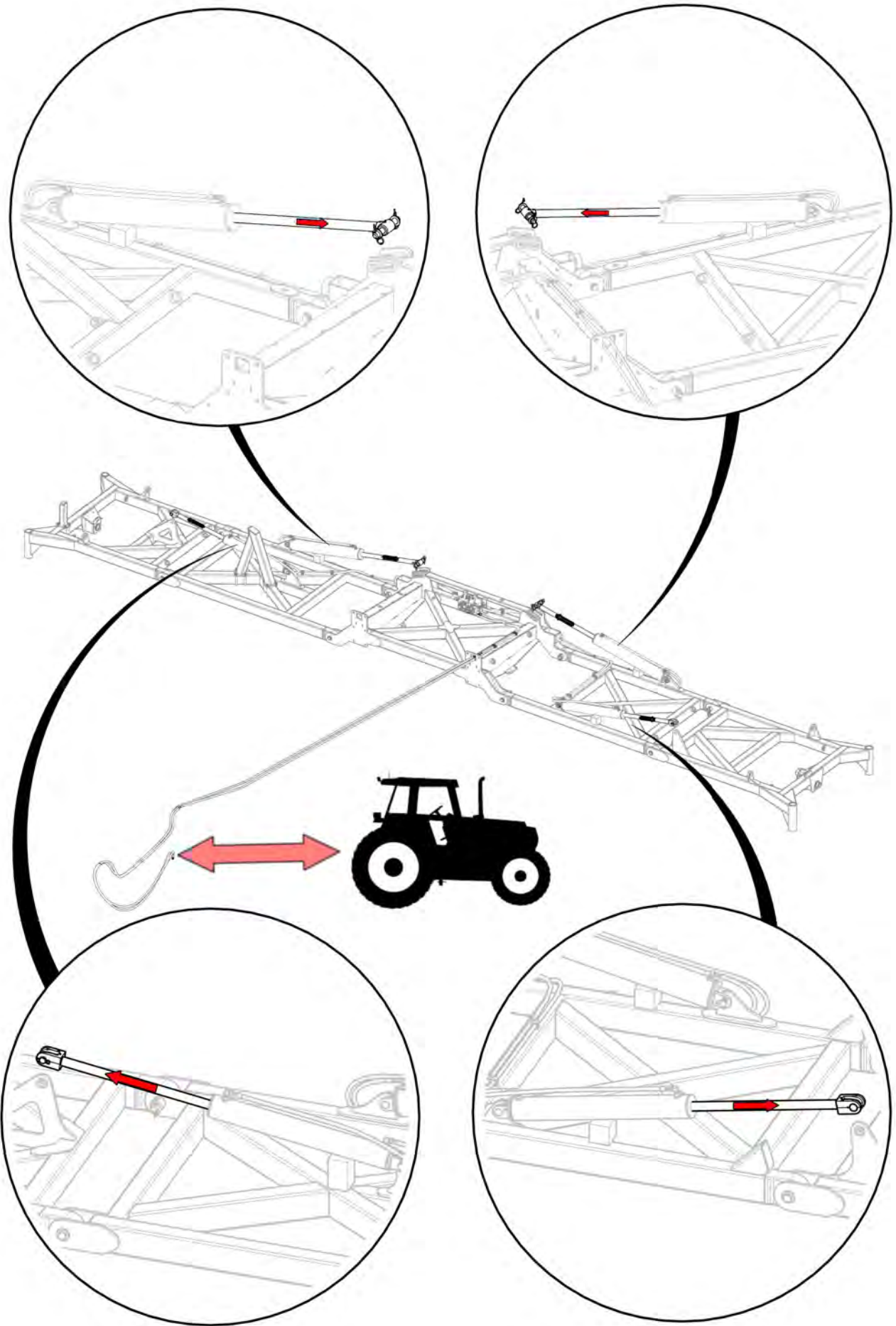


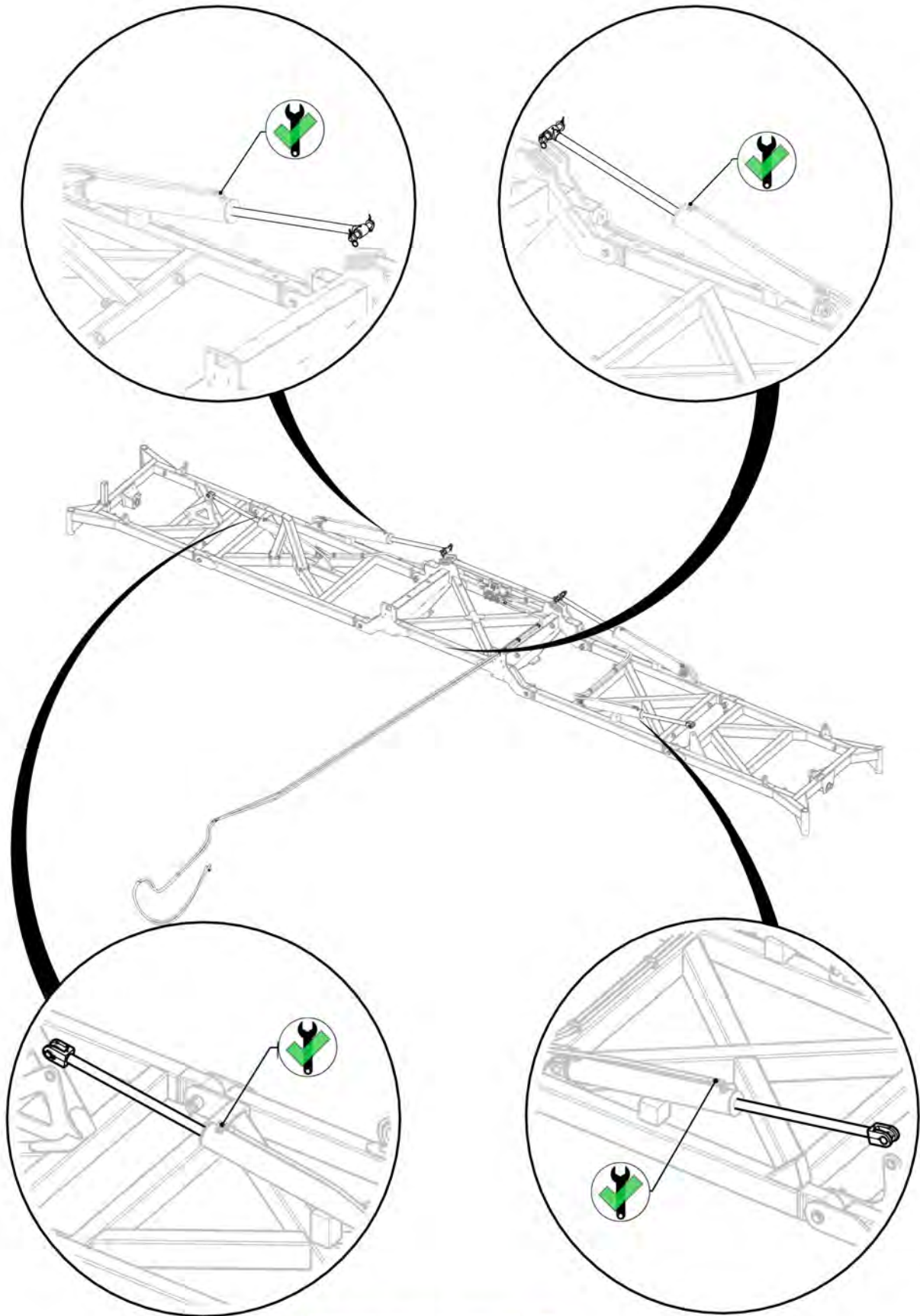
All retract hose fittings loose to allow air to escape

All cylinders chocked up to prevent clash during extend

Signed \_\_\_\_\_ Date \_\_\_\_/\_\_\_\_/\_\_\_\_  
 Unit Serial Number \_\_\_\_\_

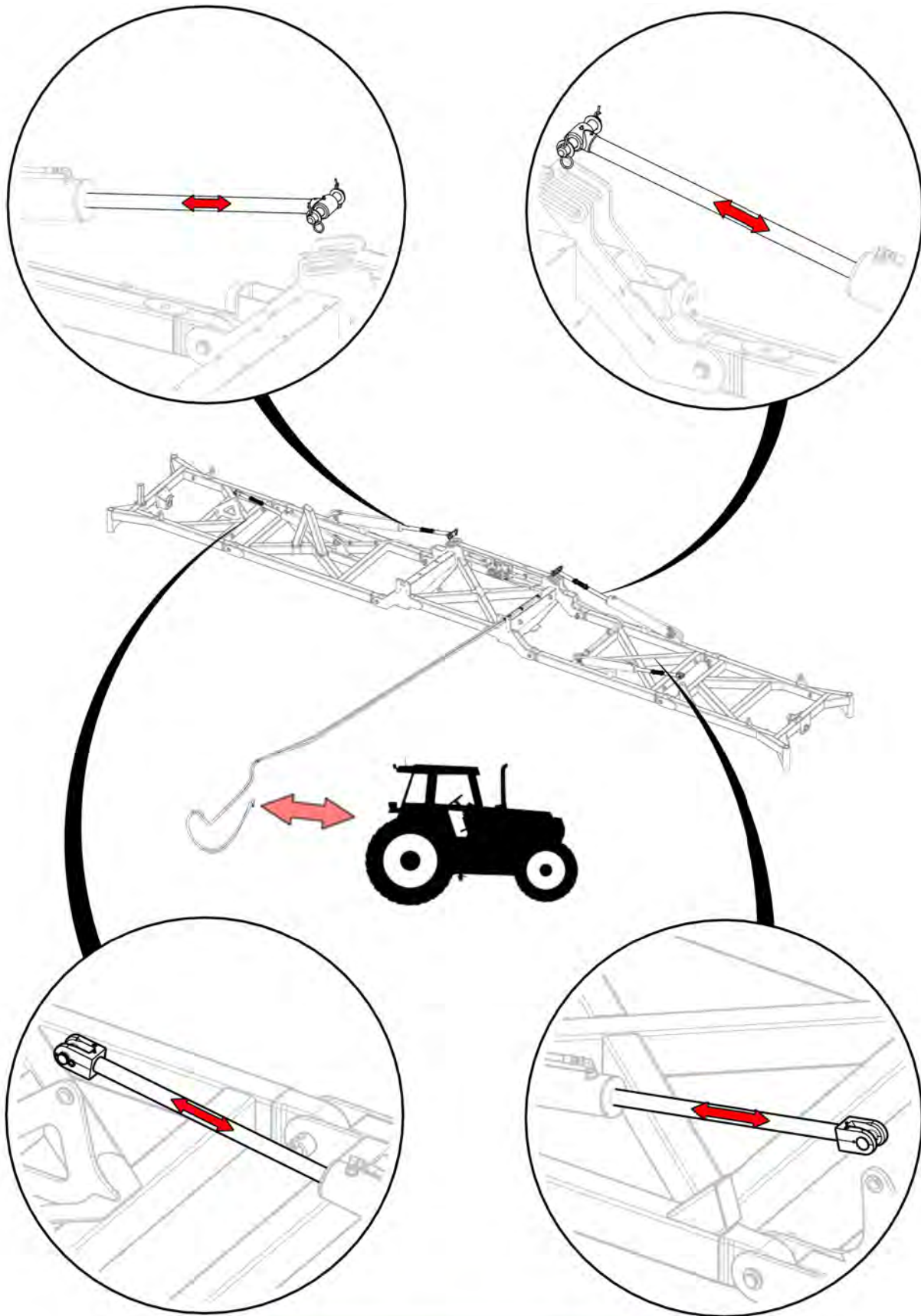






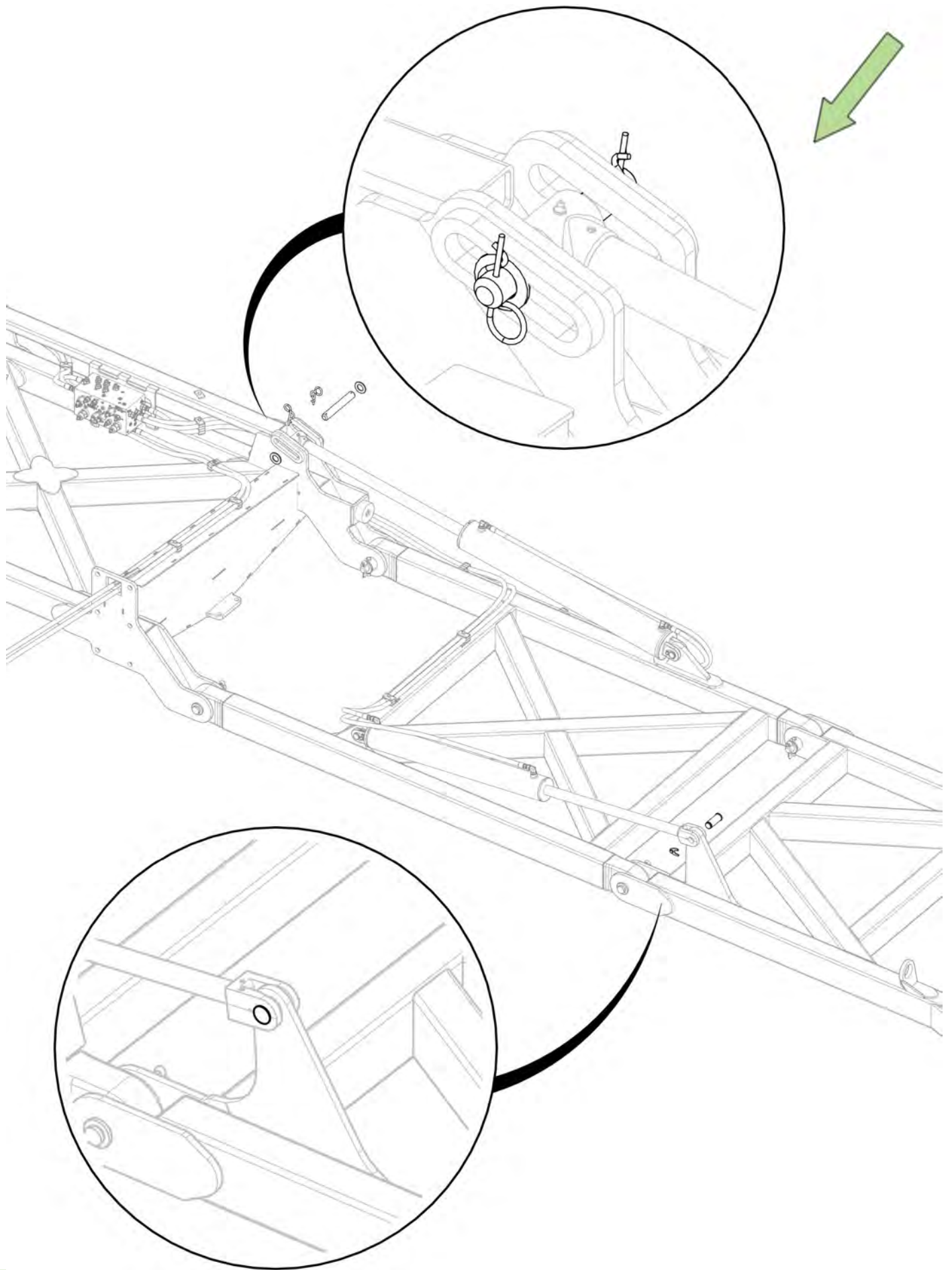
Retract fittings tightened

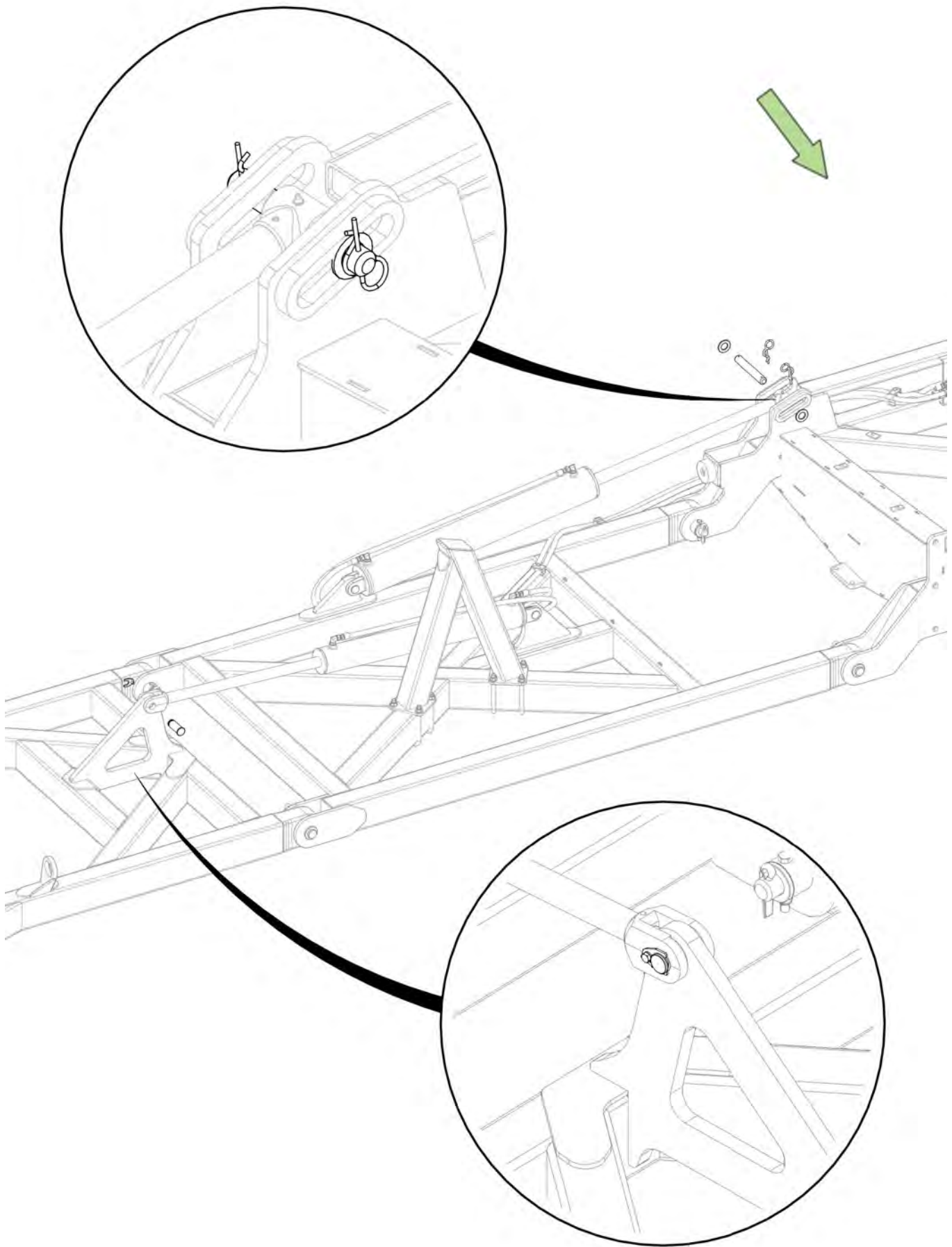
Signed \_\_\_\_\_ Date \_\_\_\_ / \_\_\_\_ / \_\_\_\_  
Unit Serial Number \_\_\_\_\_



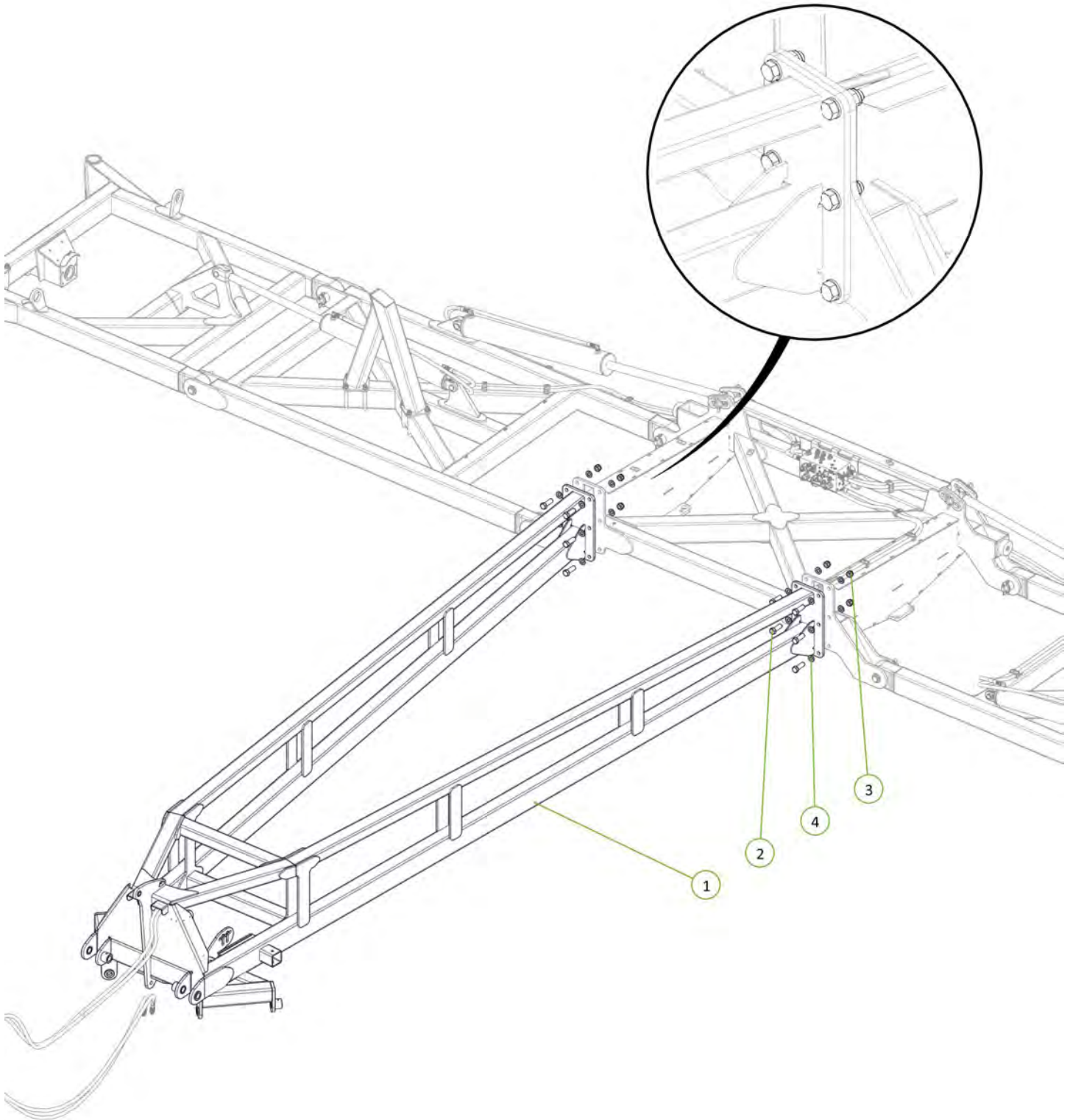
Cylinders cycled to expel air from system ○

Signed \_\_\_\_\_ Date \_\_/\_\_/\_\_  
 Unit Serial Number \_\_\_\_\_

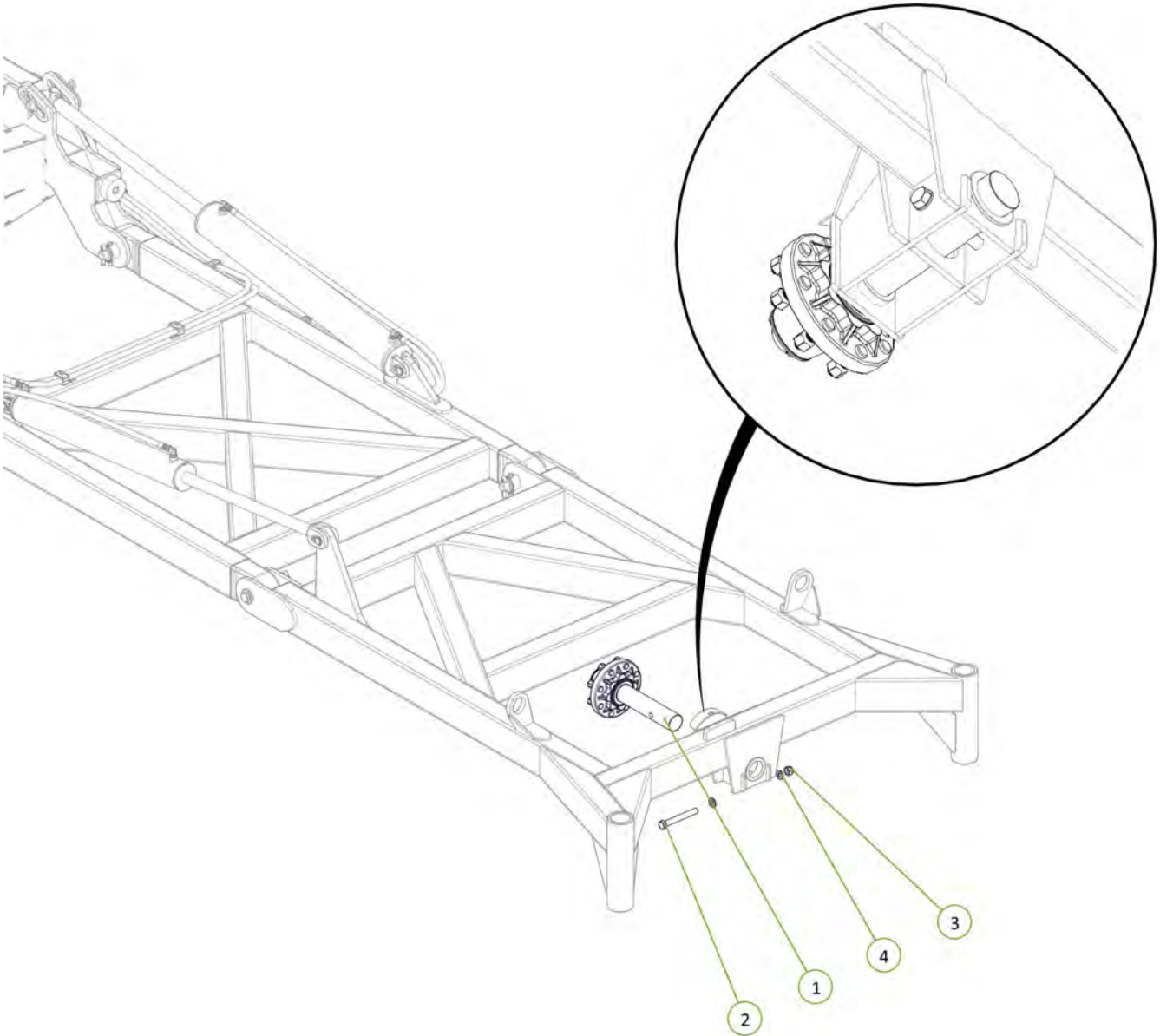




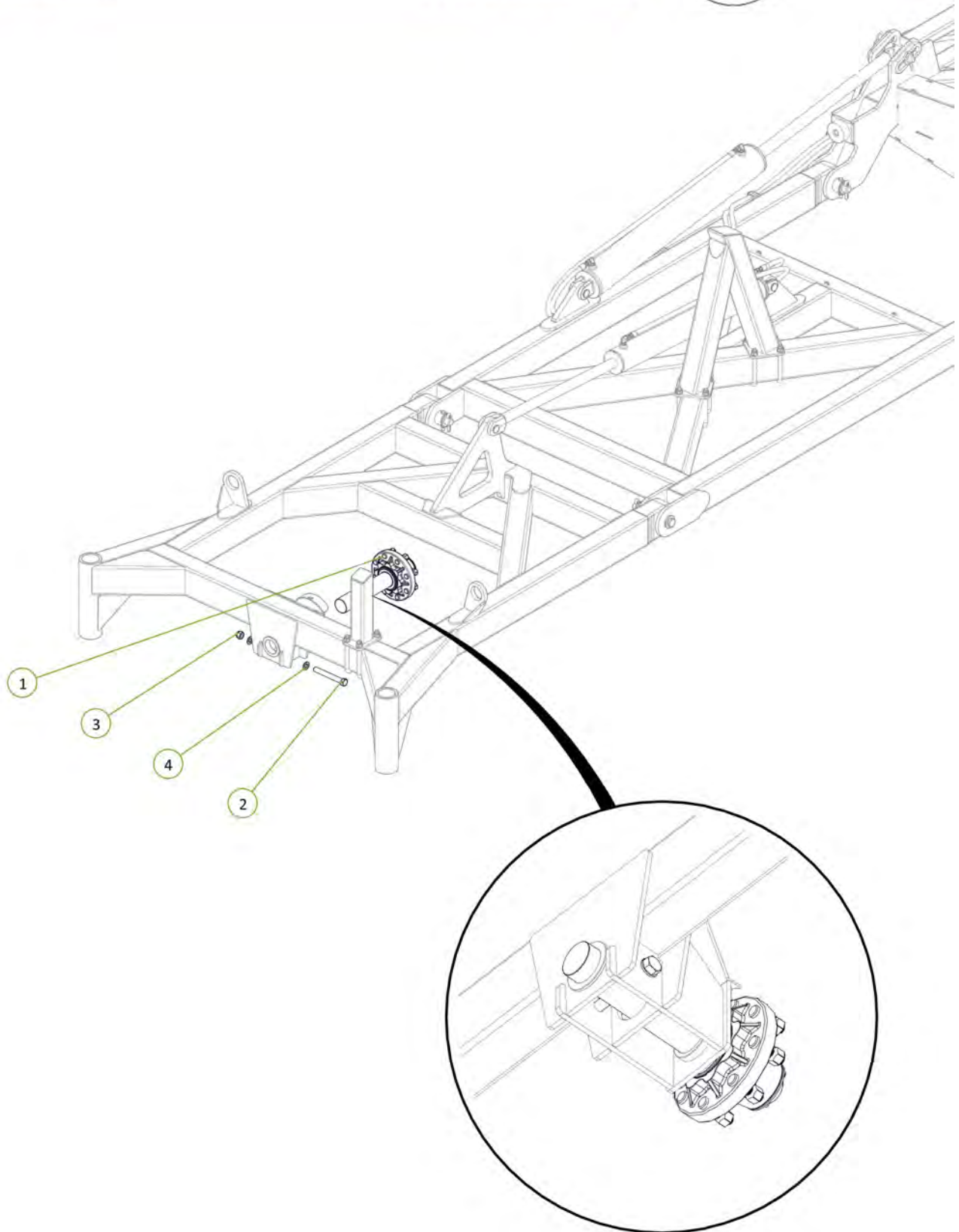
Item No.	Description	Qty	Number
1	Front A Frame	1	1540-02
2	M24 x 75 grade 8.8 zp Bolt	12	0211-2475
3	Nyloc Nut M24	12	0221-NYL24
4	Washer Flat M24	24	0231-F24



Item No.	Description	Qty	Number
1	2.75"R C/W 6 tonne 8 on 8" PCD Complete Assembly inc G5	1	0733-LG6080067
2	M20 x 170 grade 8.8 ZP Bolt	1	0211-20170
3	Nyloc Nut M20	1	0221-NYL20
4	Washer Flat M20	2	0231-F20

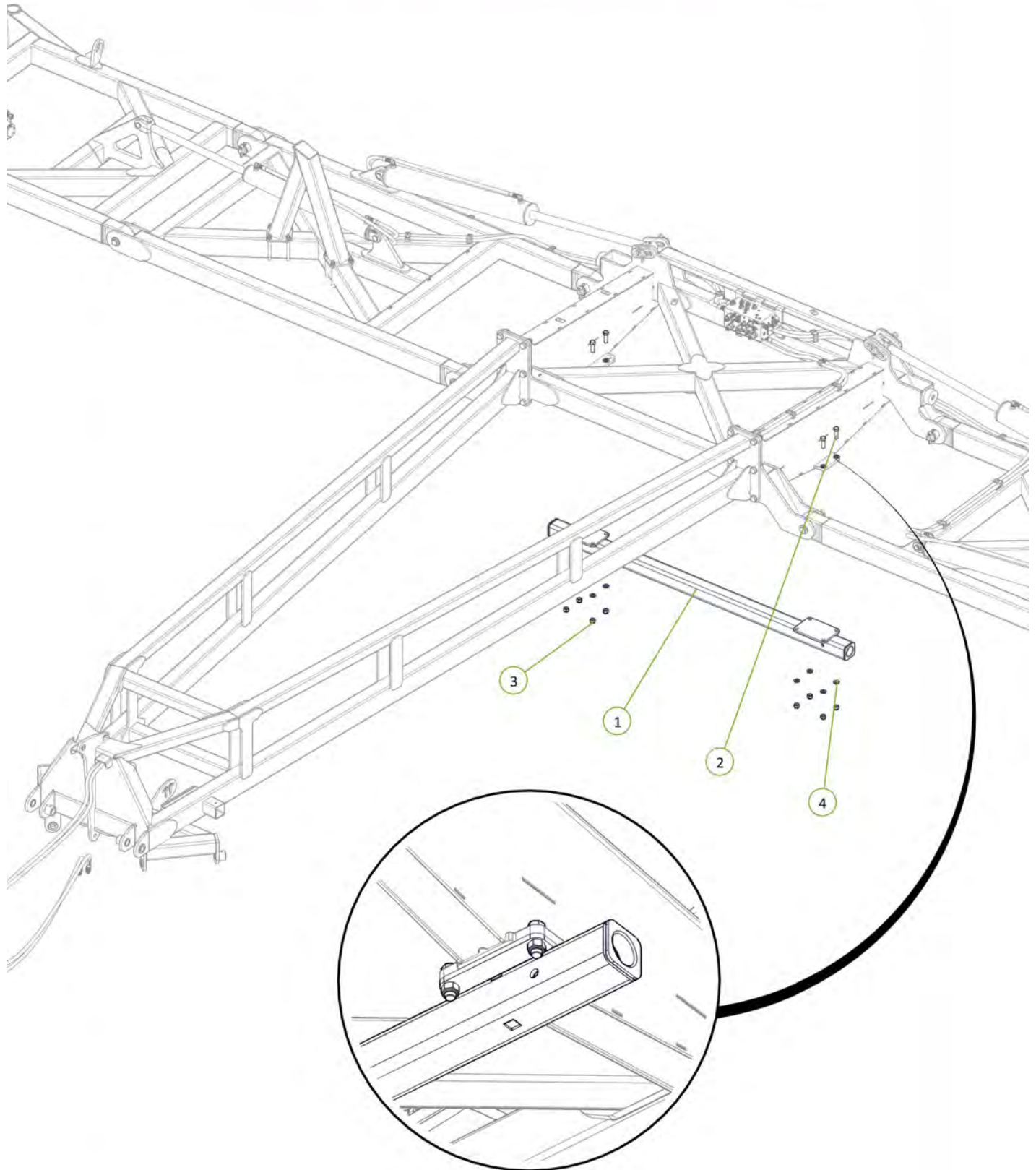


Item No.	Description	Qty	Number
1	2.75"R C/W 6 tonne 8 on 8" PCD Complete Assembly inc GS	1	0733-LG6080067
2	M20 x 170 grade 8.8 ZP Bolt	1	0211-20170
3	Nyloc Nut M20	1	0221-NYL20
4	Washer Flat M20	2	0231-F20

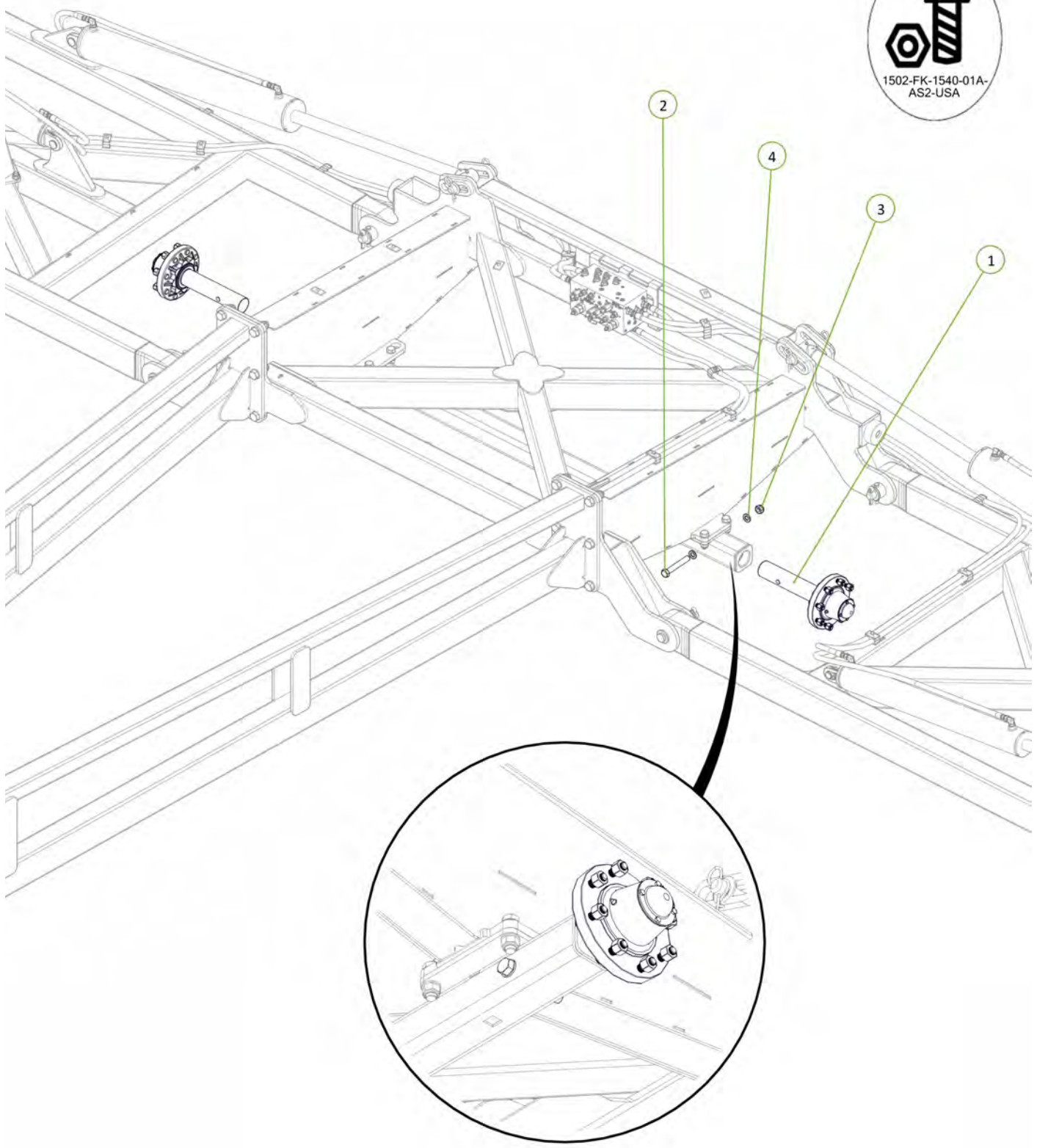




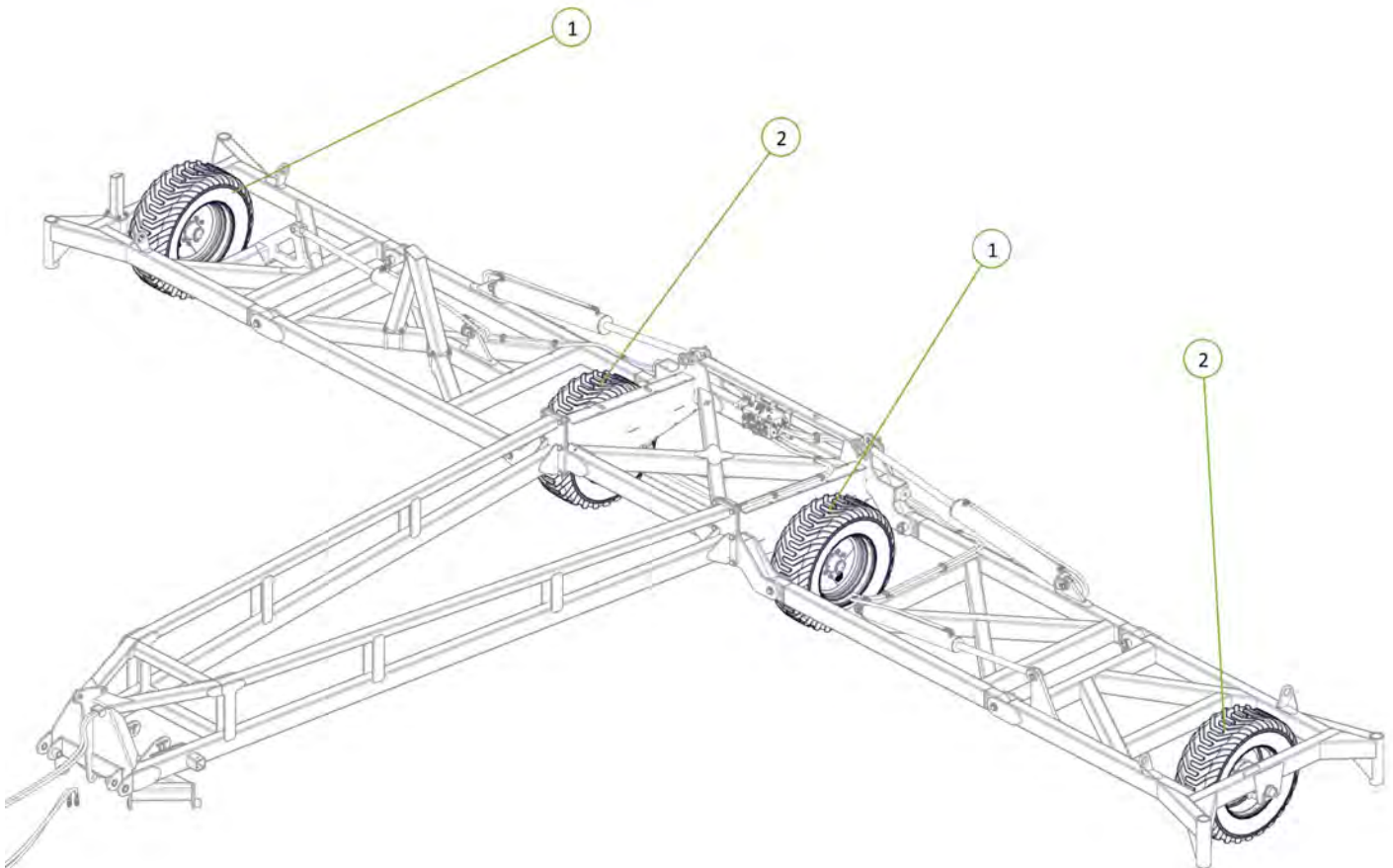
Item No.	Description	Qty	Number
1	12m Axle Beam	1	1540-11
2	M20 x 65 Grade 8.8 ZP Bolt	8	0211-2065
3	Nyloc Nut M20	8	0221-NYL20
4	Washer Flat M20	16	0231-F20



Item No.	Description	Qty	Number
1	2.75"R C/W 6 tonne 8 on 8" PCD Complete Assembly inc GS	2	0733-LG6080067
2	M20 x 140 grade 8.8 ZP Bolt	2	0211-20140
3	Nyloc Nut M20	2	0221-NYL20
4	Washer Flat M20	4	0231-F20



Item No.	Description	Qty	Number
1	400/55-22.5 Tyre on 8 on 8" PCD Rim (Right Hand)	2	0751-400-55-22.5TR-R
2	400/55-22.5 Tyre on 8 on 8" PCD Rim (Left Hand)	2	0751-400-55-22.5TR-L

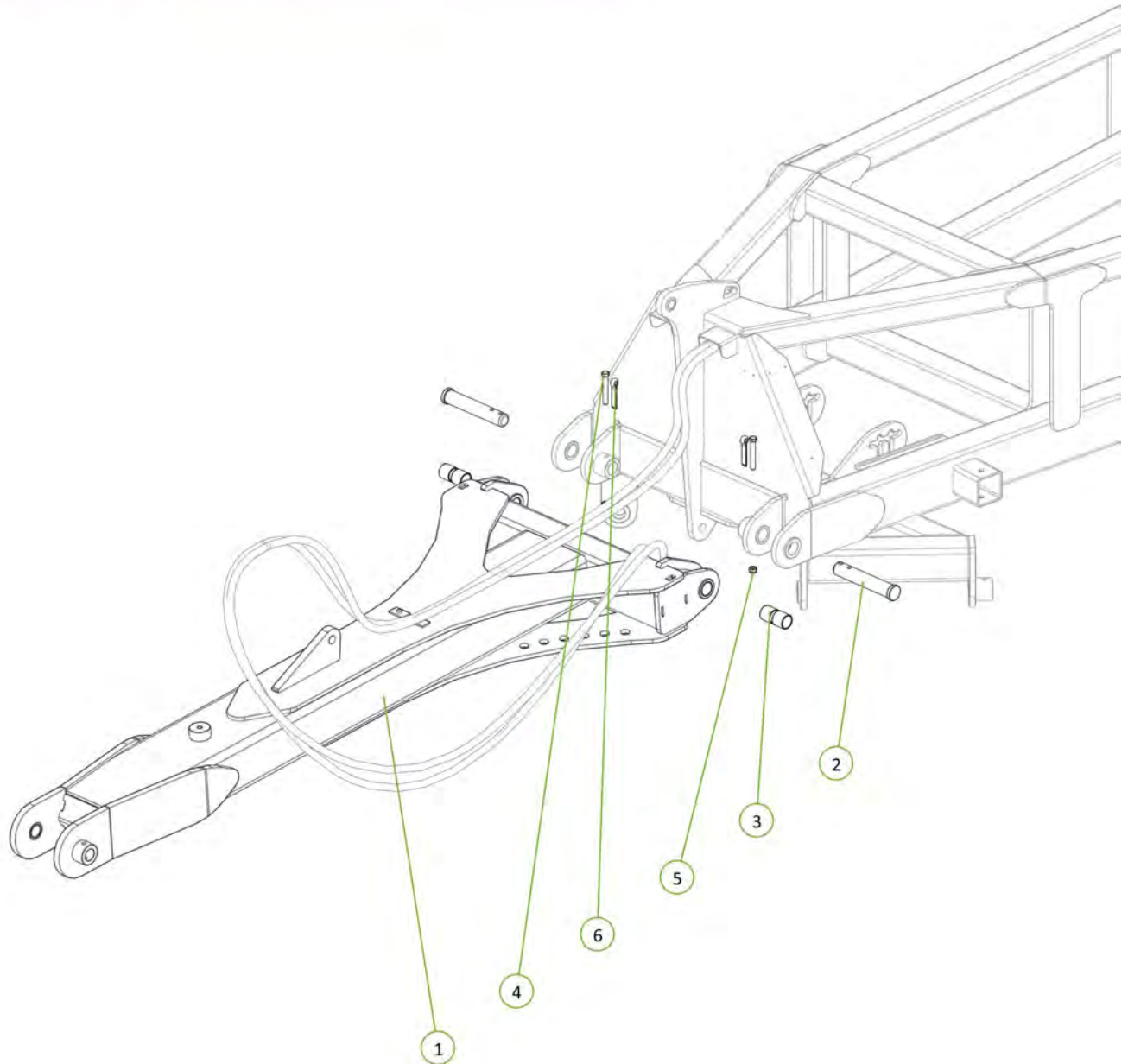


All wheel nuts tightened to 100ft-lb / 140Nm

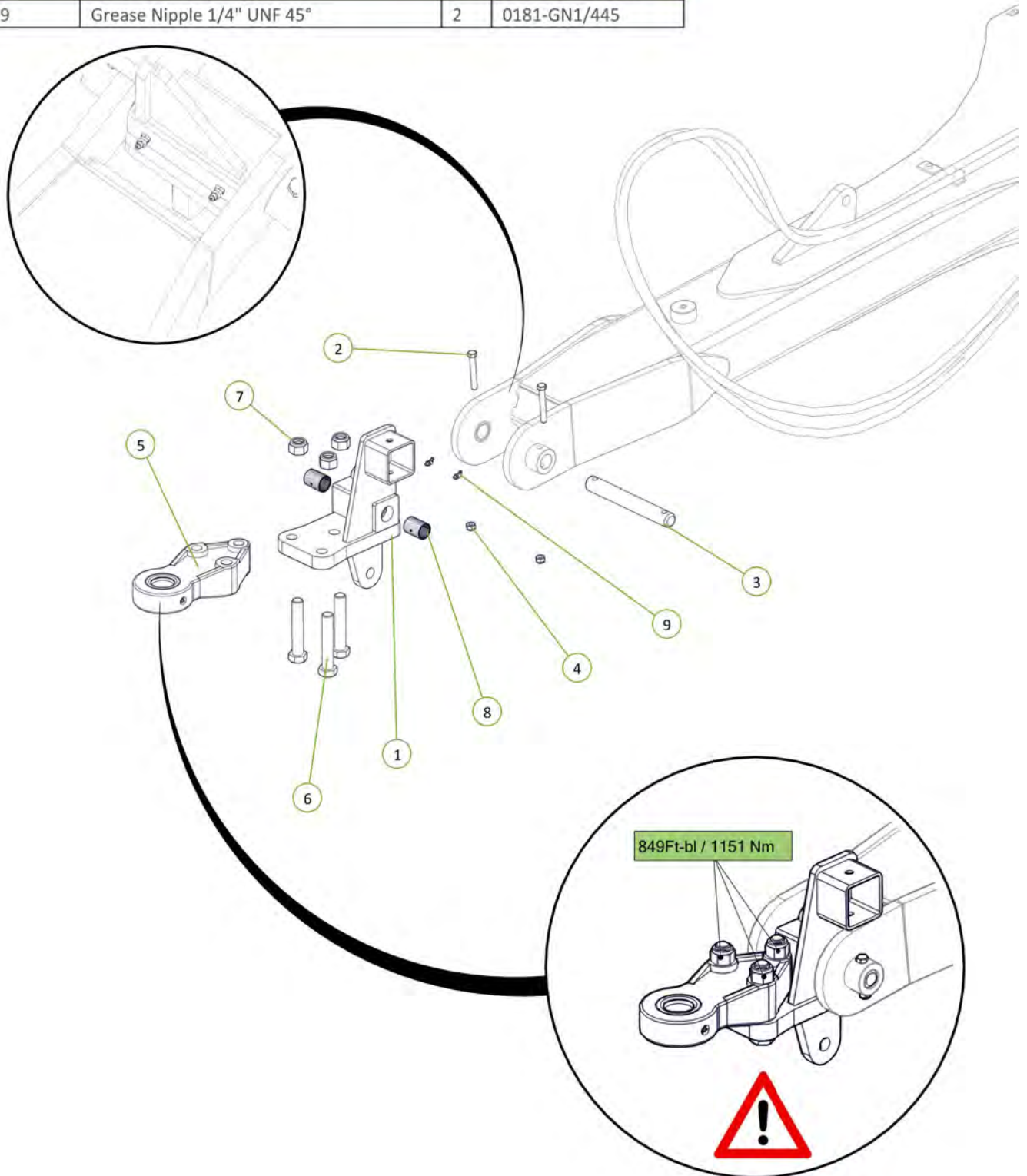


Signed \_\_\_\_\_ Date \_\_\_/\_\_\_/\_\_\_  
 Unit Serial Number \_\_\_\_\_

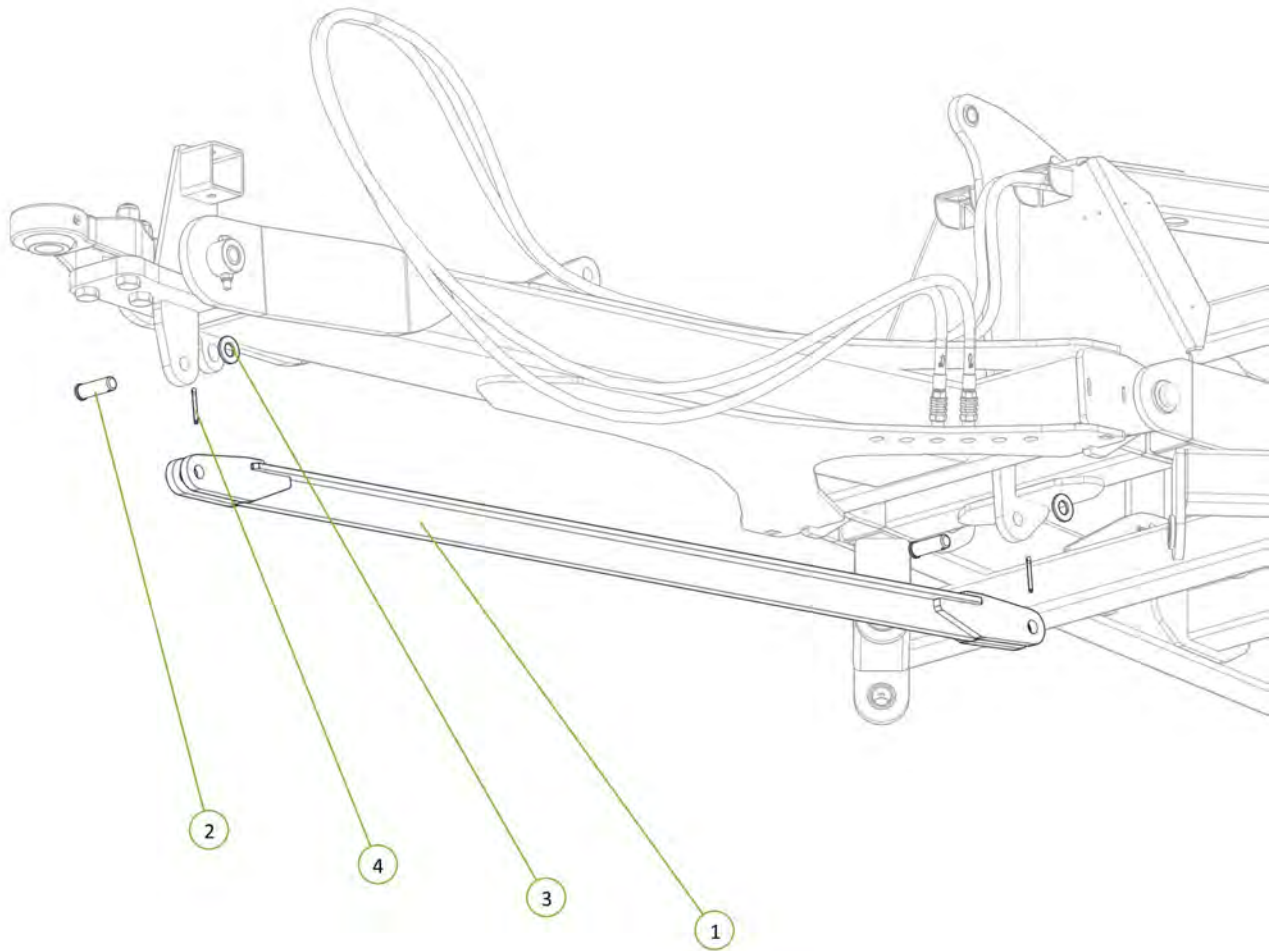
Item No.	Description	Qty	Number
1	Tapered T-Bar Drawbar	1	1510-08-2
2	Walking Axle Linkage Pivot Pin	2	1601-P38-220
3	Drawbar Pivot Bush	4	0801-B423838
4	M12 x 90 Class 10.9 ZP Bolt	2	0211-1290HT
5	Nyloc Nut M12	2	0221-NYL12
6	Cotter Pin M13 x 63	2	0261-PINC1363



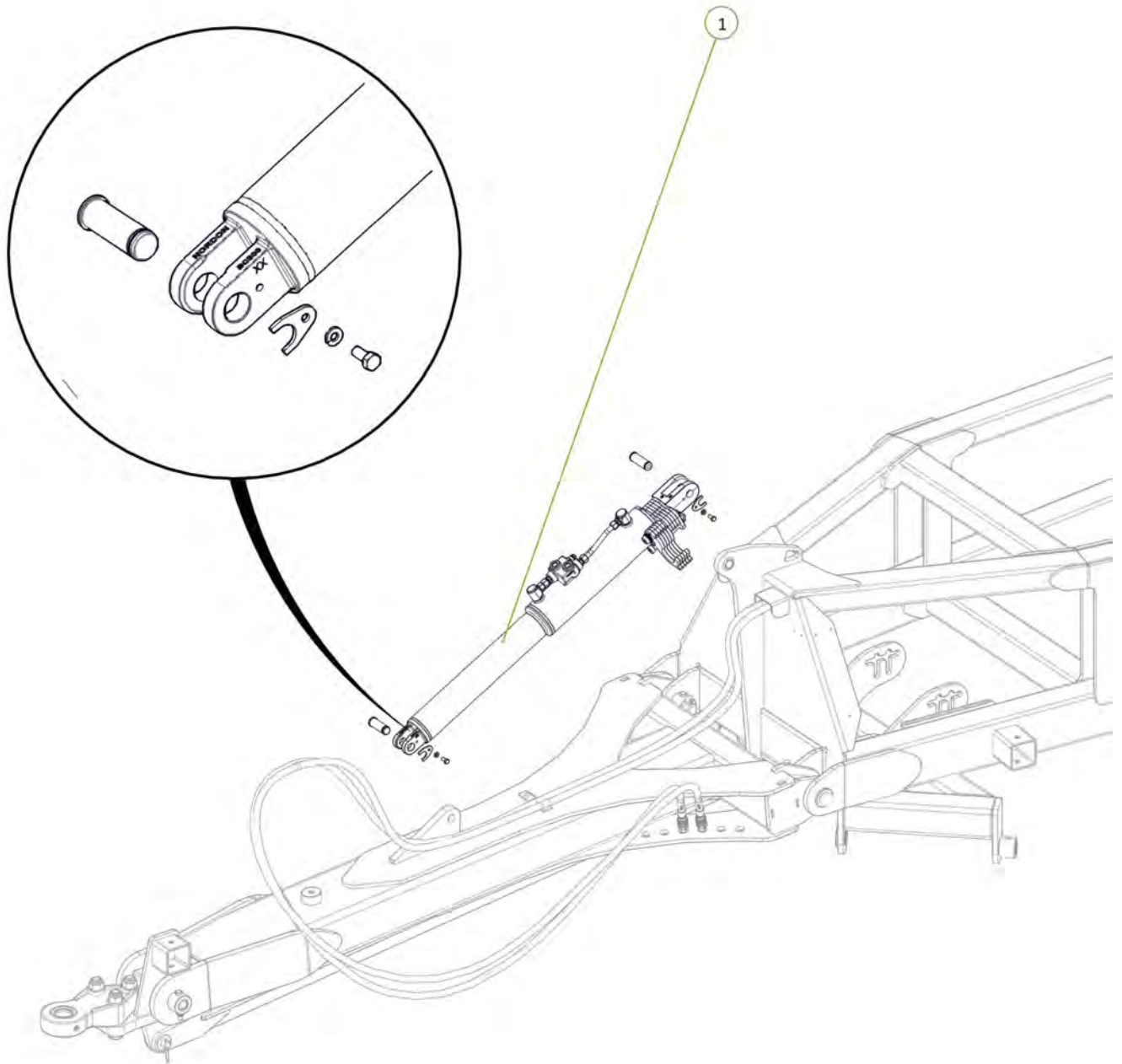
Item No.	Description	Qty	Number
1	Tow Hitch For Bull Pull Swivel Hitch	1	0810-09-BP
2	M12 x 90 Class 10.9 ZP Bolt	2	0211-1290HT
3	Tow Hitch Pivot Pin	1	0801-10-14
4	Nyloc Nut M12	2	0221-NYL12
5	Bull Pull Swivel Hitch CAT 4 wt 1-1/2' Insert	1	0801-BPF-CAT-4JDF-2
6	1" UNF Grade 8 ZP Bolt x 5-1/2"	3	0213-1 51-2
7	Nyloc Nut 1" UNF	3	0223-NYL1
8	35 ID x 50mm DX Bush	2	0113-MB3550DX
9	Grease Nipple 1/4" UNF 45°	2	0181-GN1/445



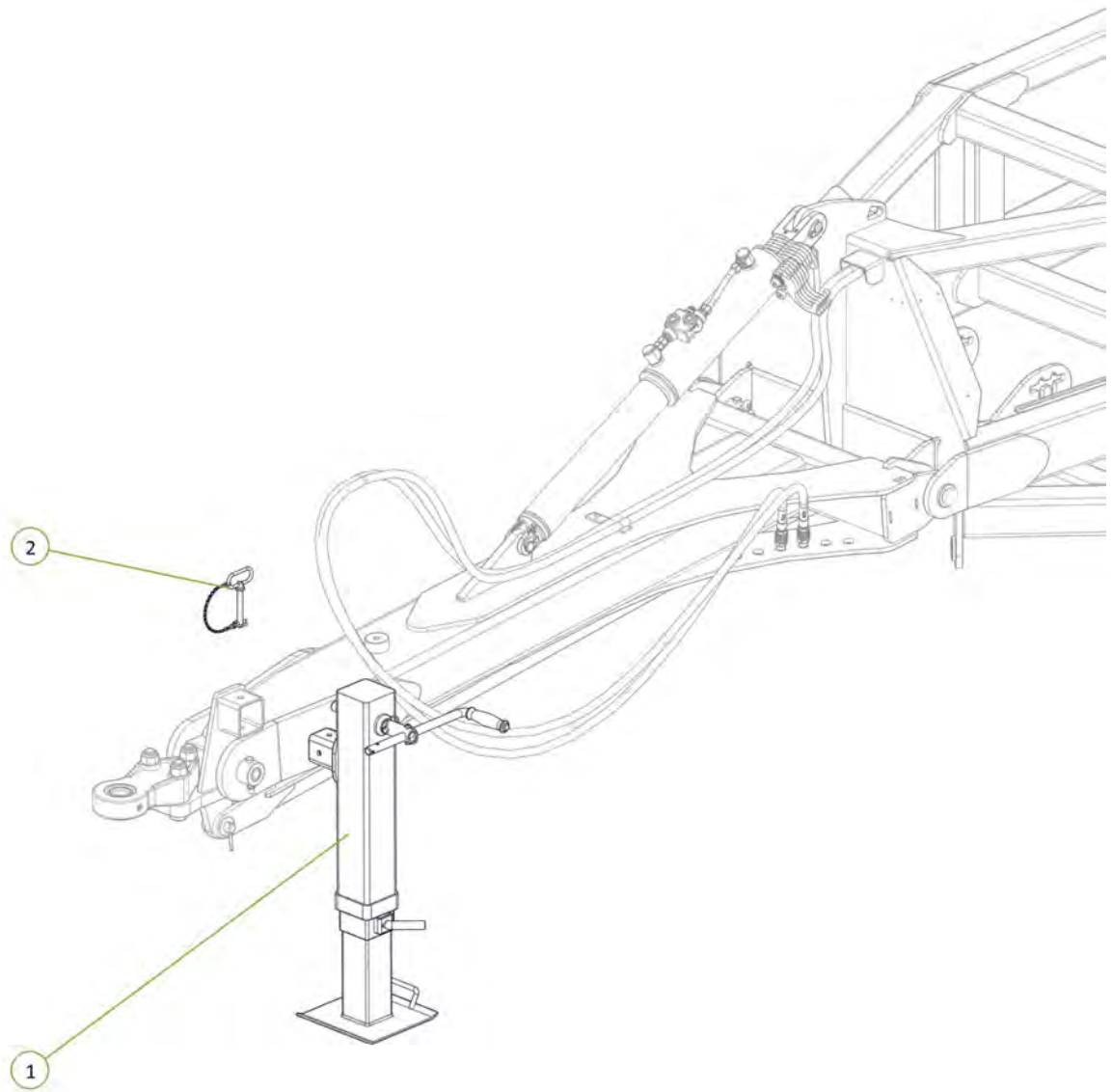
Item No.	Description	Qty	Number
1	Parallel Arm	1	0810-58
2	Clevis Pin 25mm x 75mm	2	0801-KE0307-1
3	Washer Flat 1"	2	0232-F1
4	Cotter Pin M5 x 50	2	0261-PINC550



Item No.	Description	Qty	Number
1	4" Bore 12" Stroke 2" Rod Extended Hydraulic Cylinder	1	0311-412EXT-2

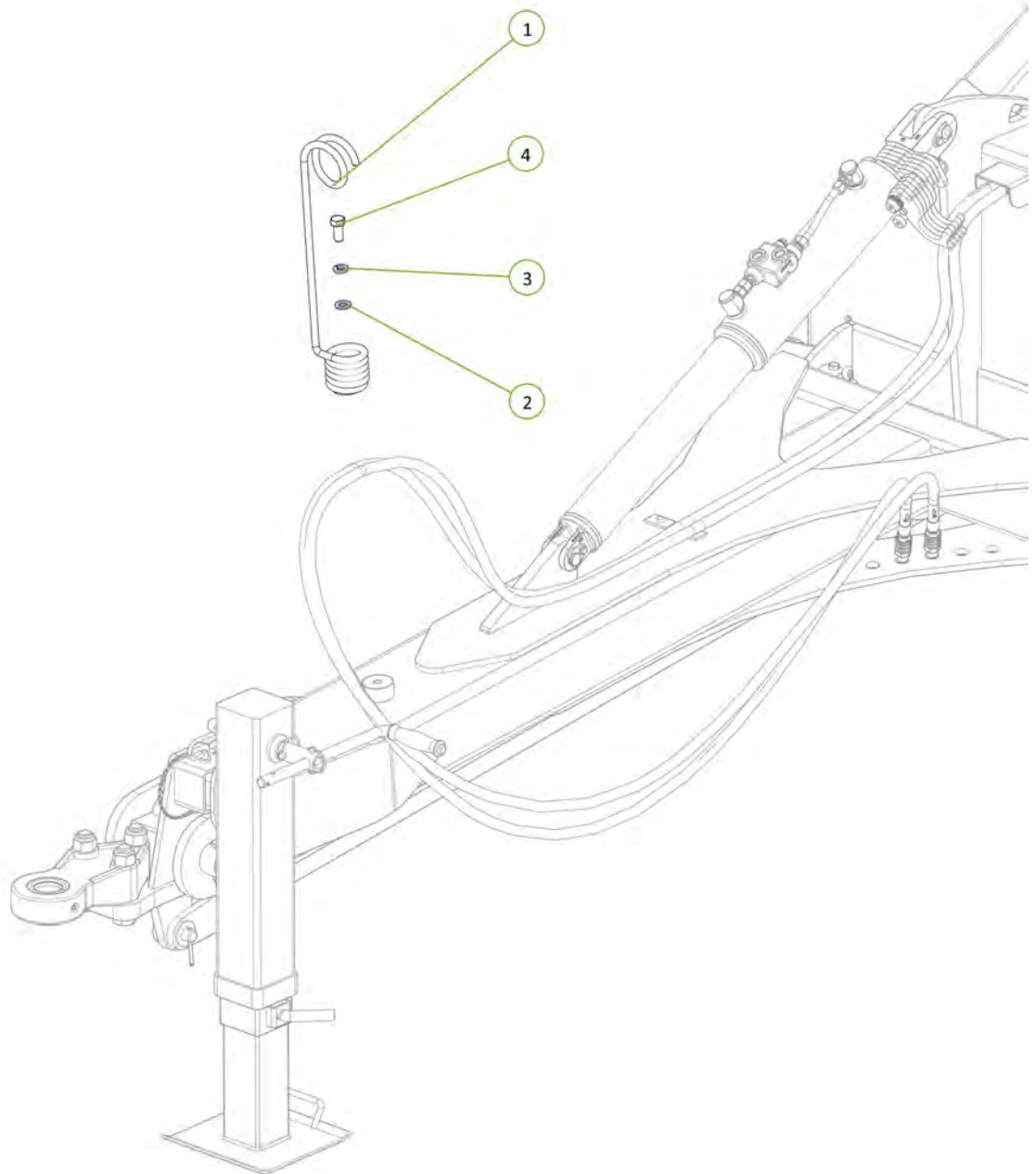


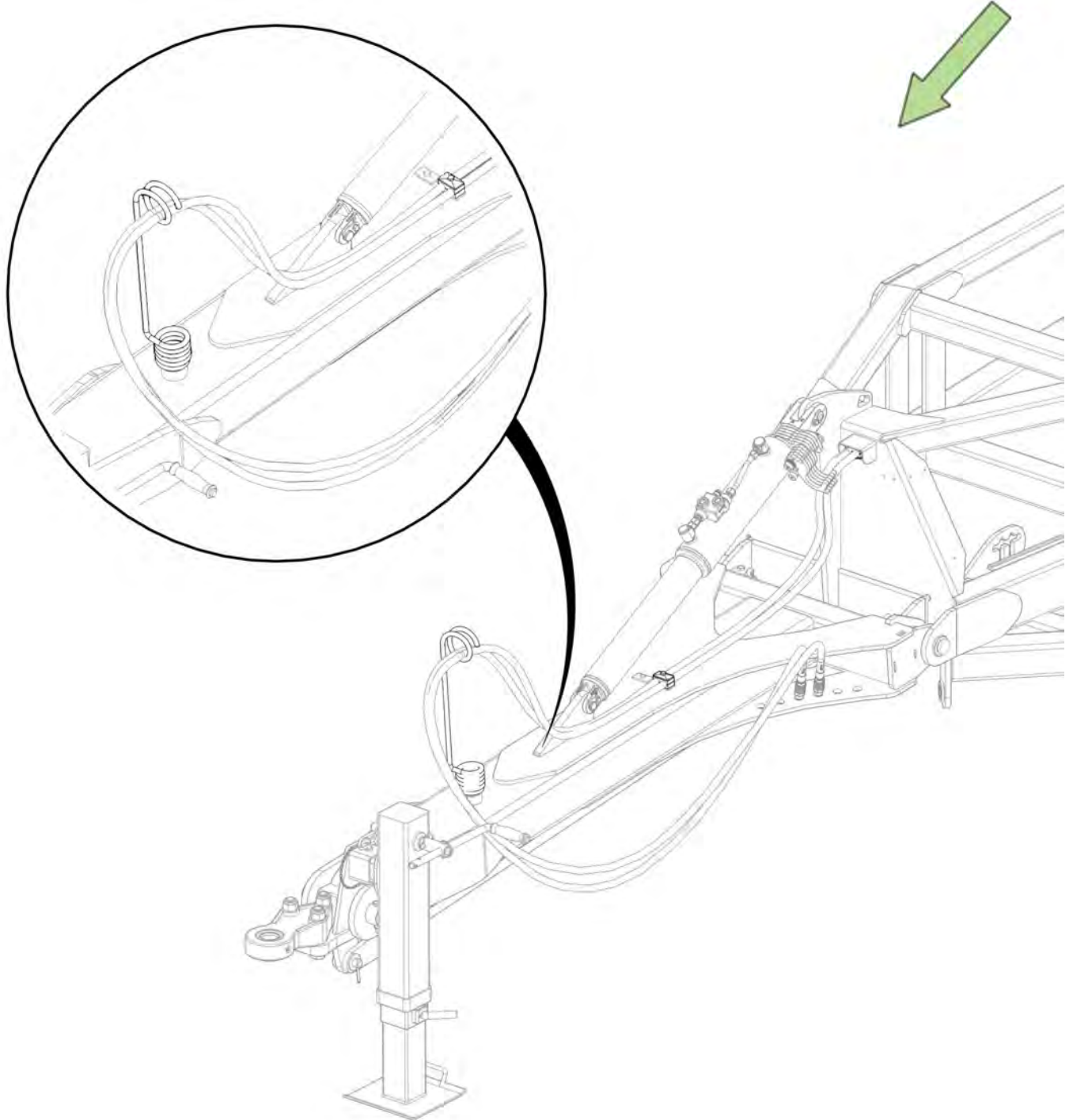
Item No.	Description	Qty	Number
1	US4t Heavy Duty Jack inc Handle	1	0810-37-US
2	Jack Pin	1	0801-B3077



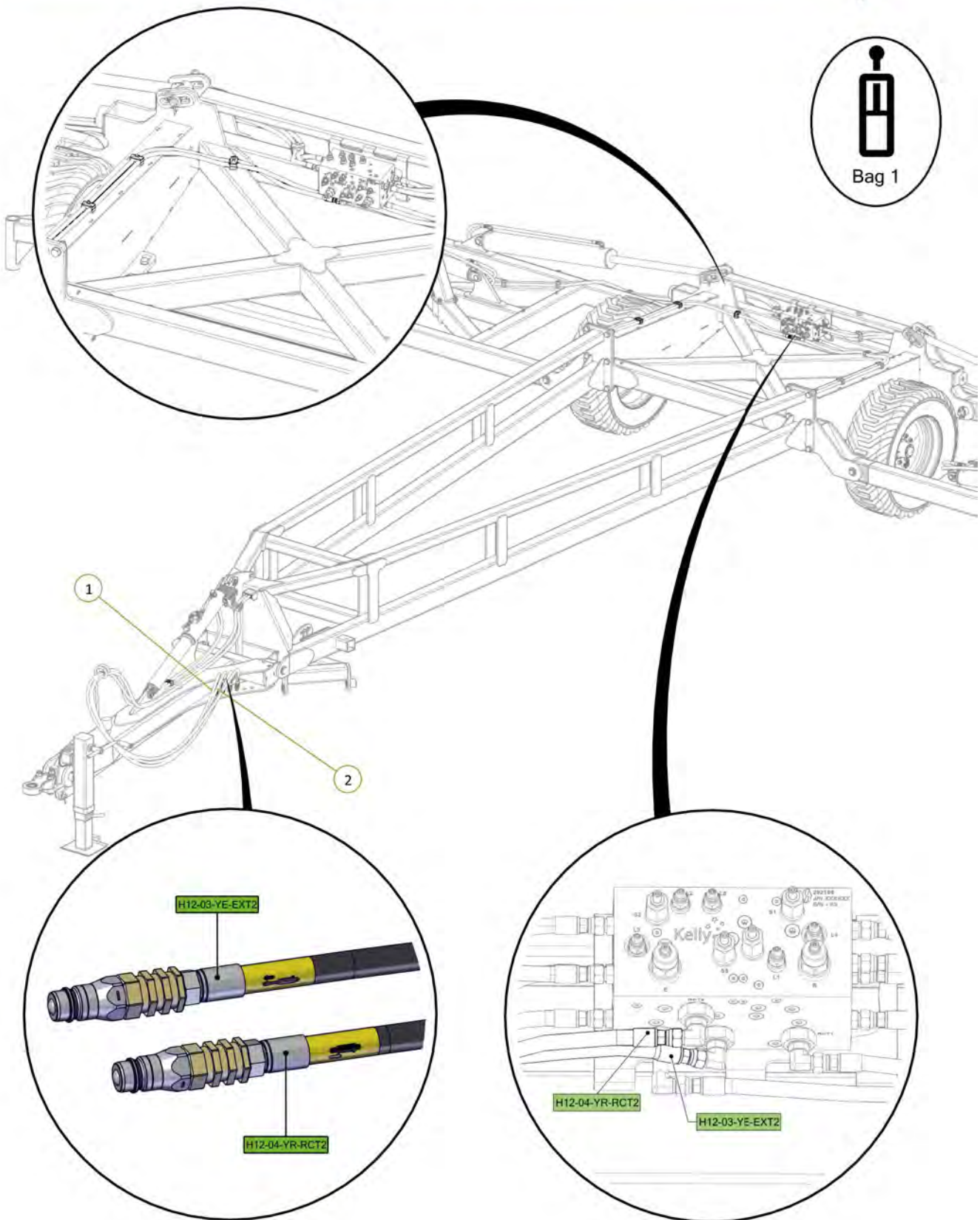


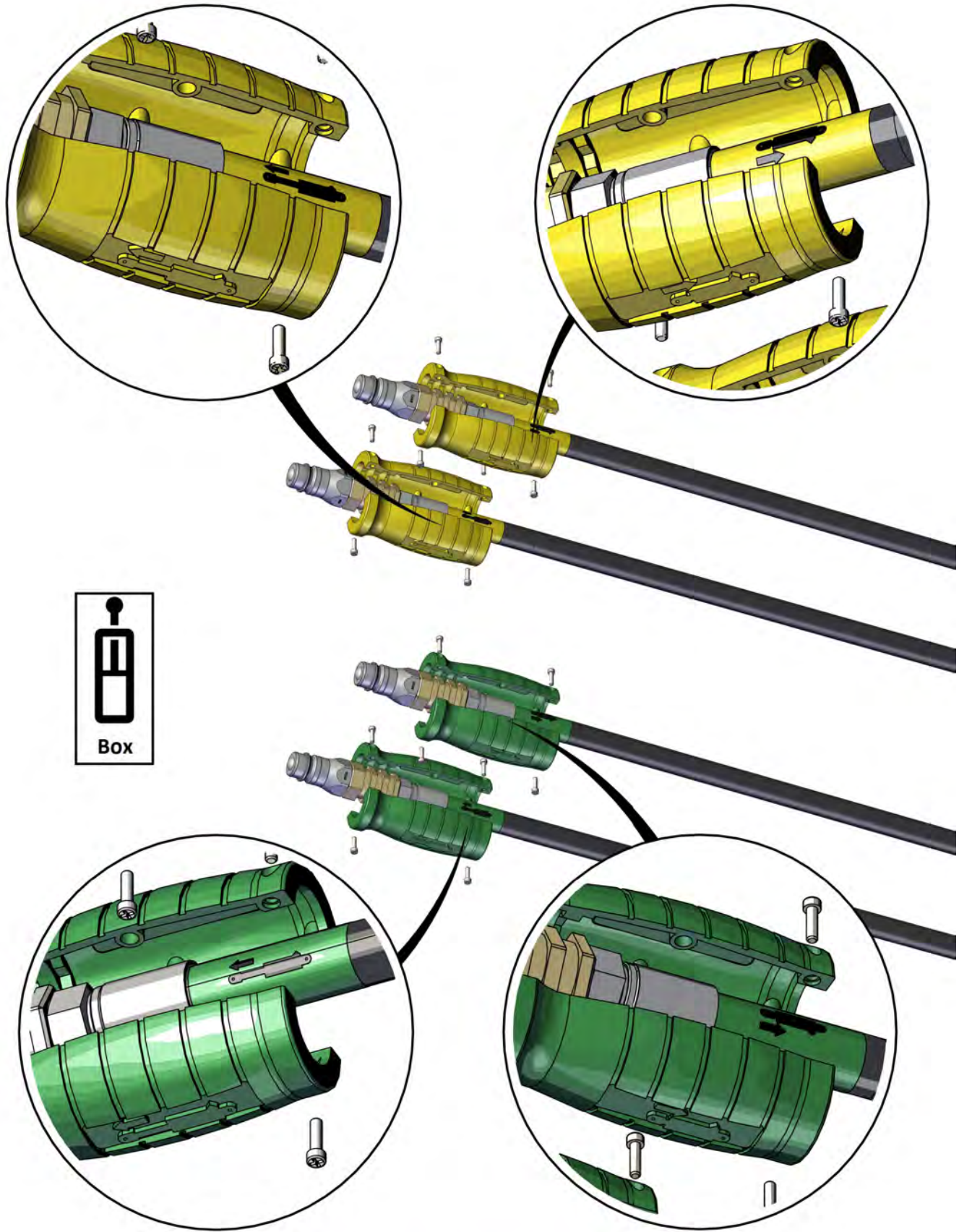
Item No.	Description	Qty	Number
1	Hose Post Spring	1	1601-CDB-00-0012
2	Washer Flat M16	1	0231-F16
3	Washer Spring M16	1	0231-S16
4	M16 x 35 grade 8.8 zp Bolt	1	0211-1635





Item No.	Description	Qty	Number
1	Tractor to Sequence Valve EXT2 Port Fitted With Yellow EXT Decal	1	H12-03-YE-EXT2
2	Tractor to Sequence Valve RTC2 Port Fitted With Yellow RTC Decal	1	H12-04-YR-RCT2



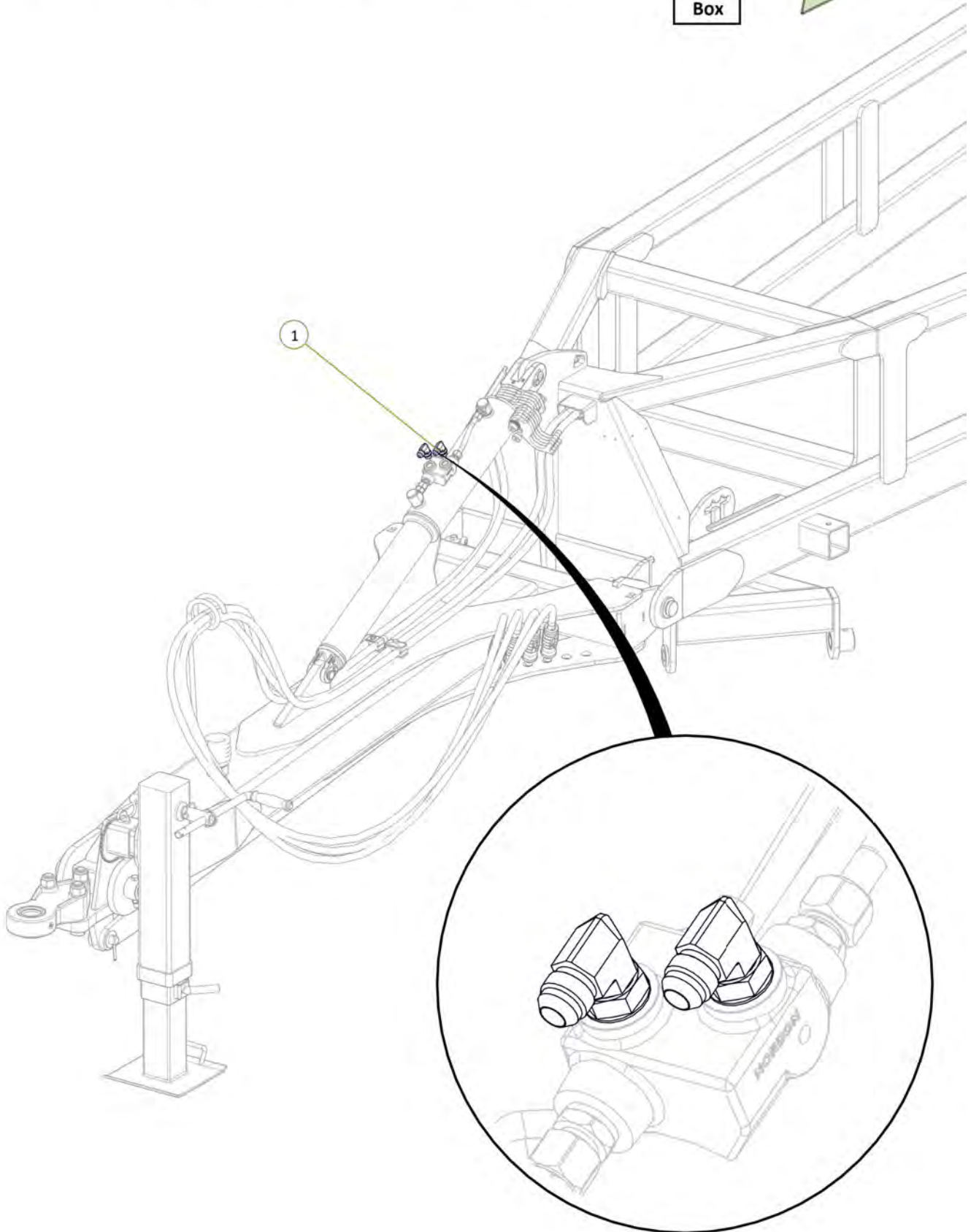


Hose grip handles fitted as per stickers on hoses

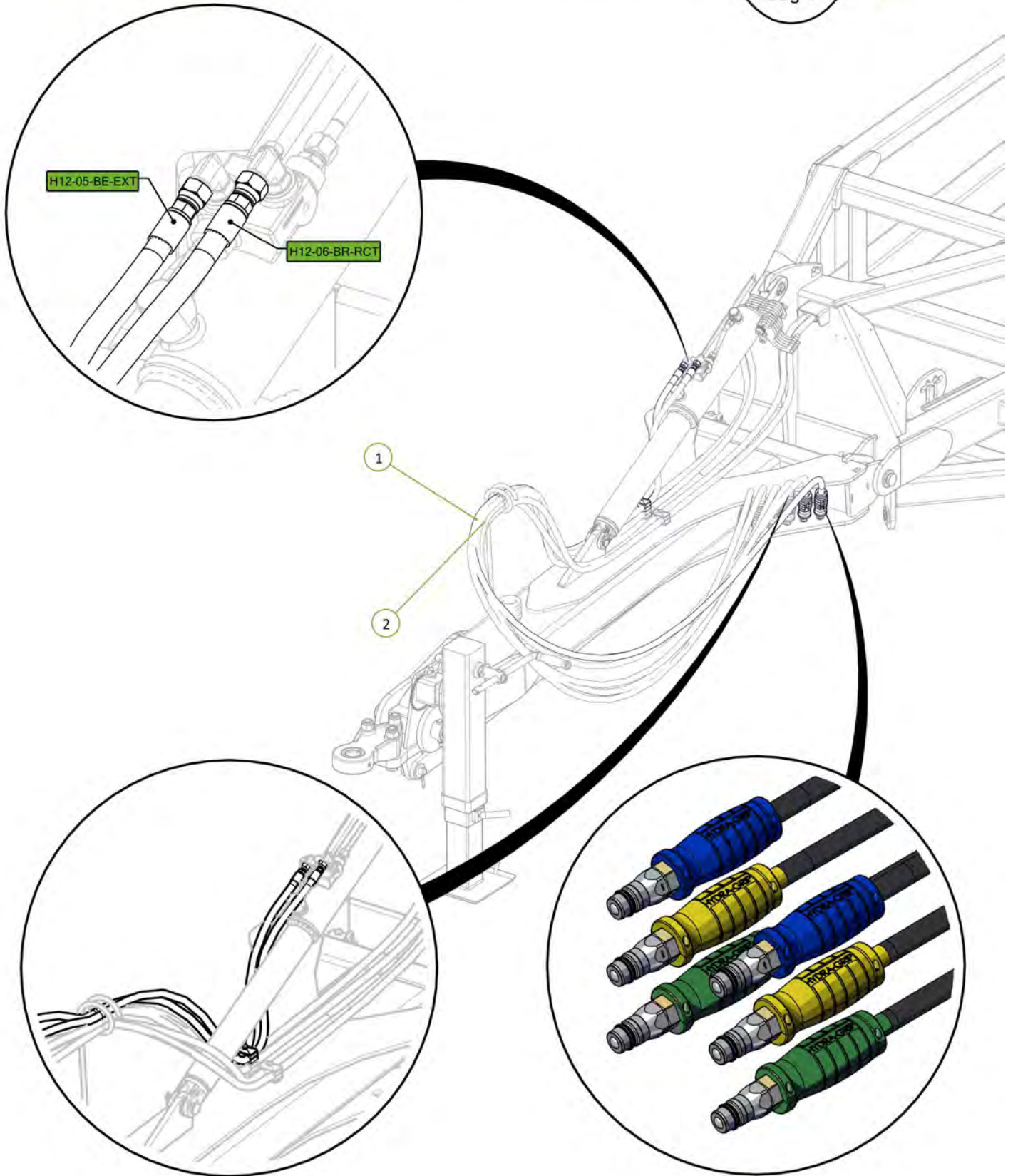


Signed \_\_\_\_\_ Date \_\_\_\_ / \_\_\_\_ / \_\_\_\_  
 Unit Serial Number \_\_\_\_\_

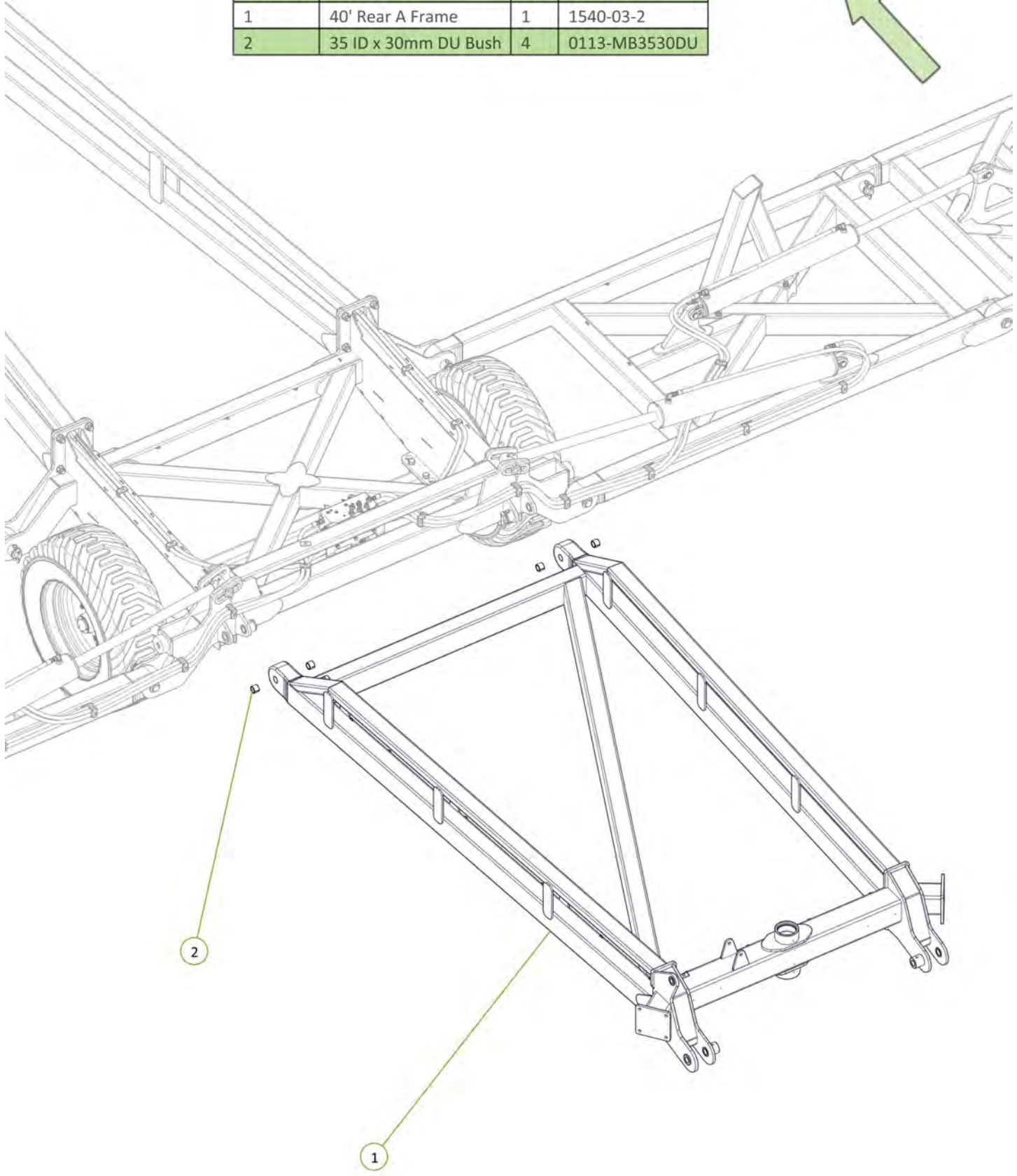
Item No.	Description	Qty	Number
1	3/4" JIC Male 3/4" UN O Ring Male 90° Elbow	2	0323-S91-1212



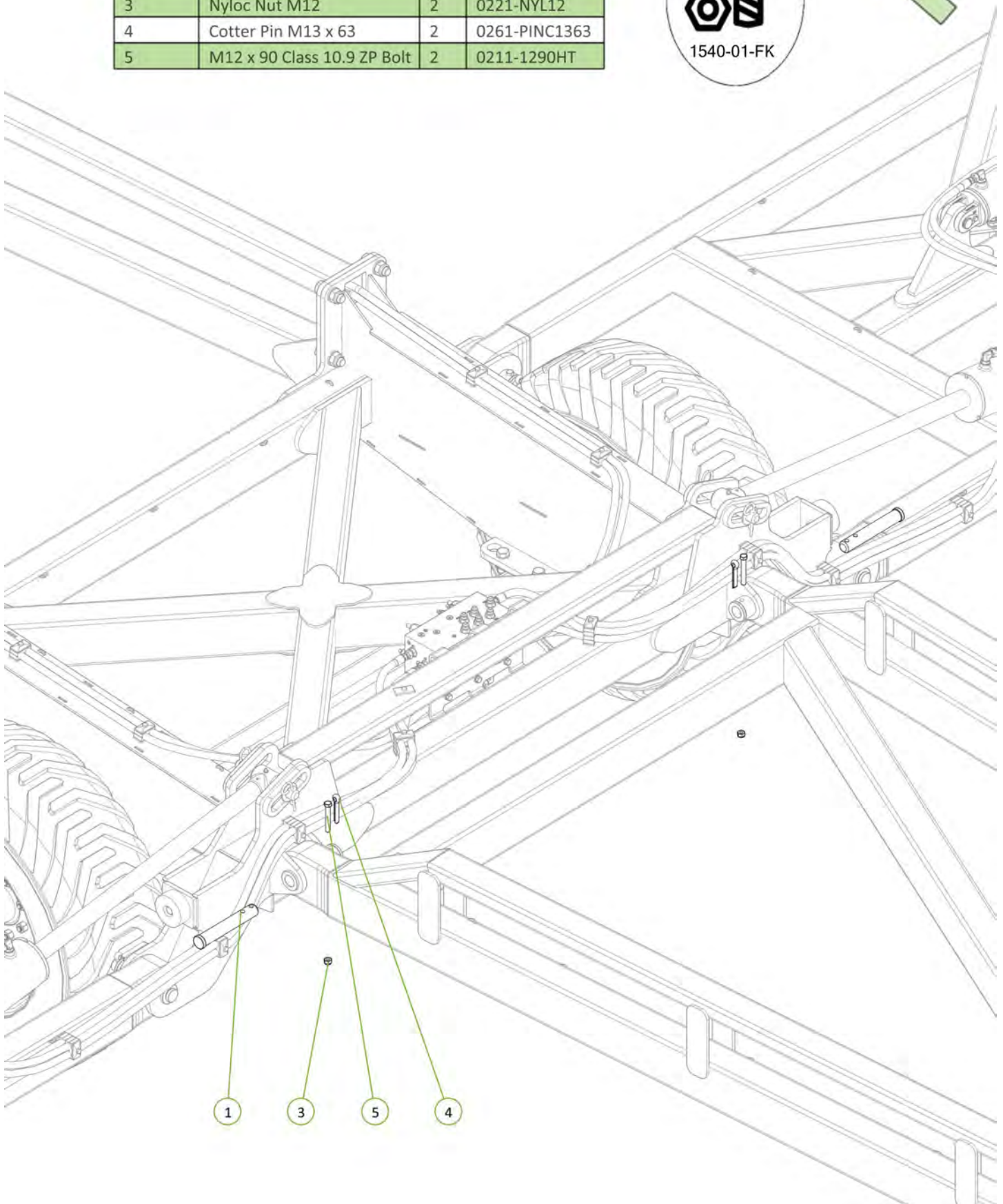
Item No.	Description	Qty	Number
1	Tractor to Front Lift Cylinder Extend Port Fitted With Blue EXT Grip	1	H12-05-BE-EXT
2	Tractor to Front Lift Cylinder Extend Port Fitted With Blue RTC Grip	1	H12-06-BR-RCT



Item No.	Description	Qty	Number
1	40' Rear A Frame	1	1540-03-2
2	35 ID x 30mm DU Bush	4	0113-MB3530DU

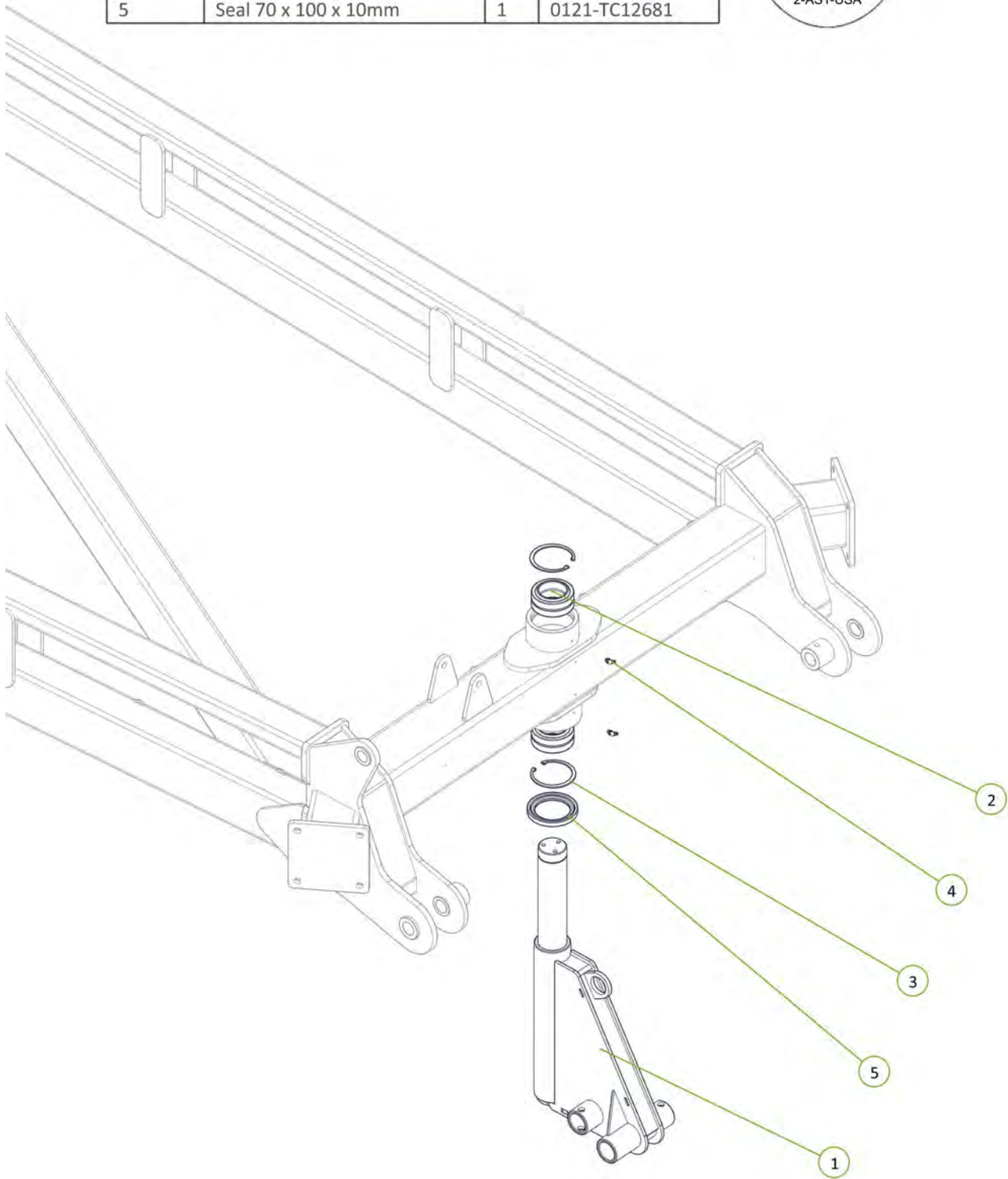


Item No.	Description	Qty	Number
1	PCH Wing Pivot Pin	2	0801-10-08-235
3	Nyloc Nut M12	2	0221-NYL12
4	Cotter Pin M13 x 63	2	0261-PINC1363
5	M12 x 90 Class 10.9 ZP Bolt	2	0211-1290HT

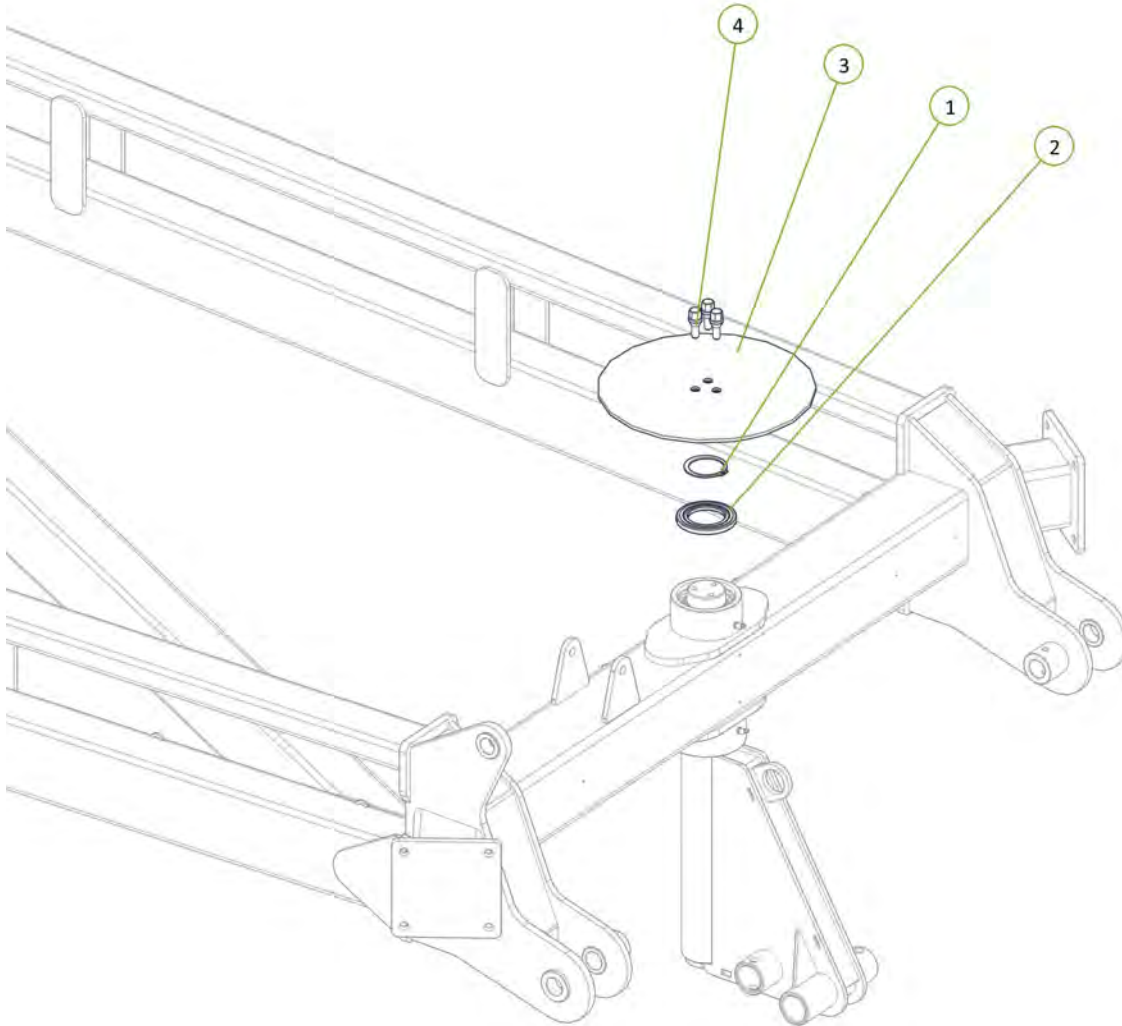




Item No.	Description	Qty	Number
1	70mm Jockey Wheel (Sleeved)	1	1610-12-70
2	Plain Spherical Bearing 70mm	2	0113-GE70DO-2RS
3	Circlip Internal 105mm	2	0171-J105
4	Grease Nipple 1/4" UNF 45°	2	0181-GN1/445
5	Seal 70 x 100 x 10mm	1	0121-TC12681



Item No.	Description	Qty	Number
1	Circlip External 70mm	1	0172-D1400-0700APP
2	Seal 70 x 100 x 10mm	1	0121-TC12654
3	Brake Disc	1	1600-405
4	M12 x 24 Wheel Bolt	3	0216-WB1224

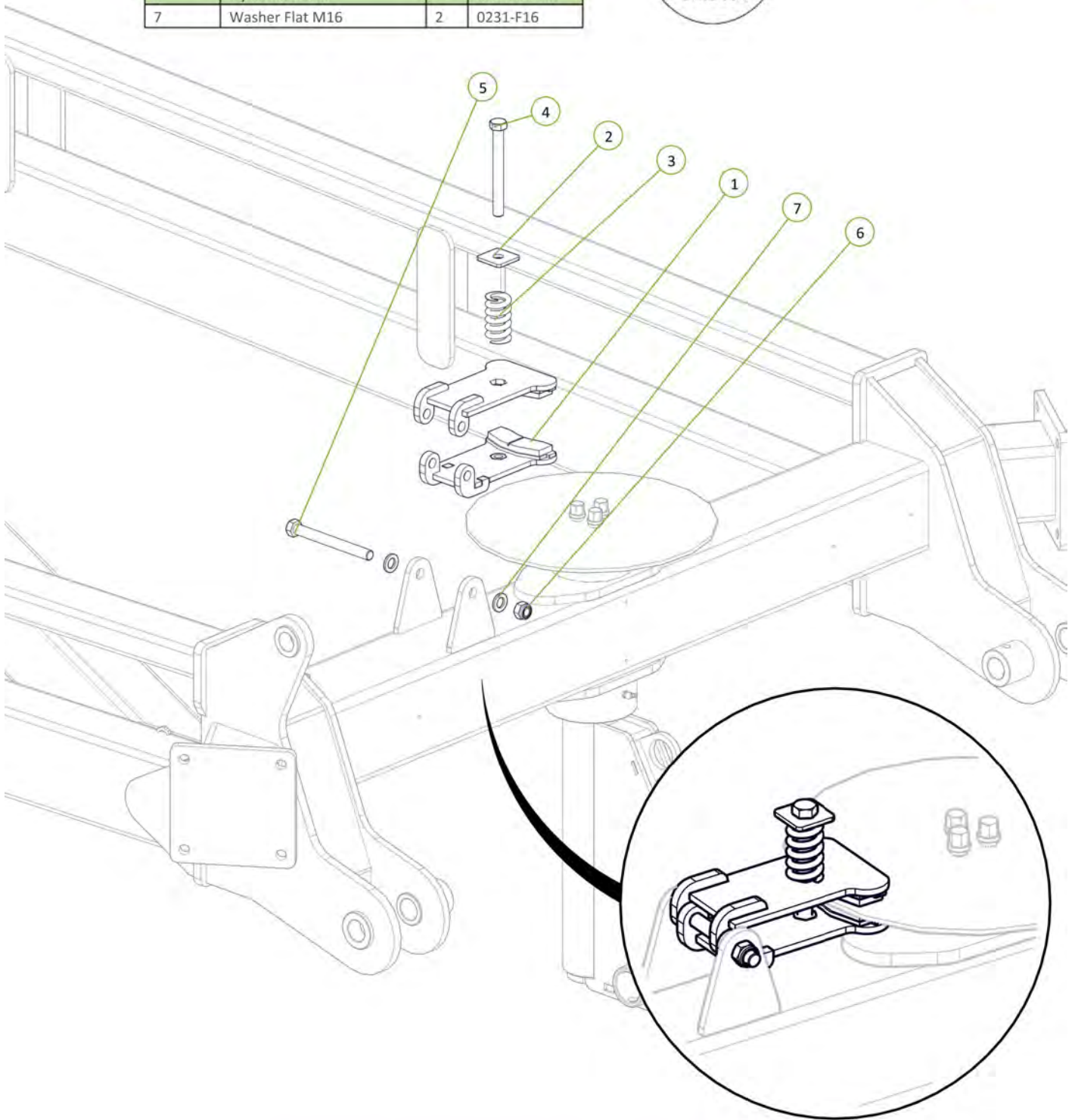


Wheel bolts torqued to 65Ft-Lb / 88Nm

Circlip fitted to Jockey Wheel shaft

Signed \_\_\_\_\_ Date \_\_\_/\_\_\_/\_\_\_  
 Unit Serial Number \_\_\_\_\_

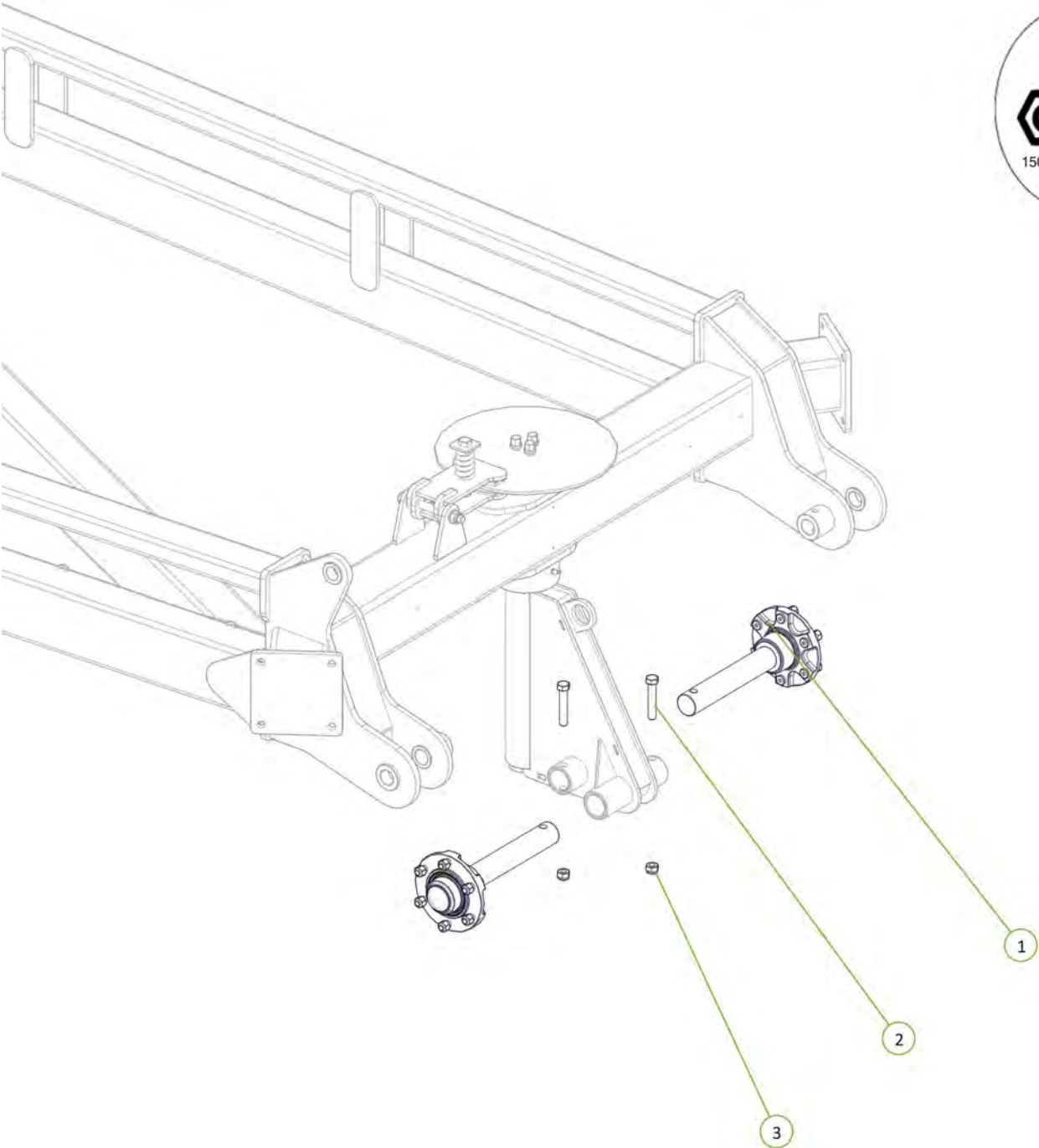
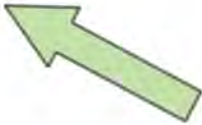
Item No.	Description	Qty	Number
1	Jockey Wheel Brake Caliper	1	0810-12CAL
2	Washer Square M16 x 50 x 5	1	0231-5Q16505
3	Brake Compression Spring	1	0801-KE009
4	M16 x 150 Class 8.8 ZP Bolt	1	0211-16150
5	M16 x 160 Class 8.8 ZP Bolt	1	0211-16160
6	Nyloc Nut M16	1	0221-NYL16
7	Washer Flat M16	2	0231-F16



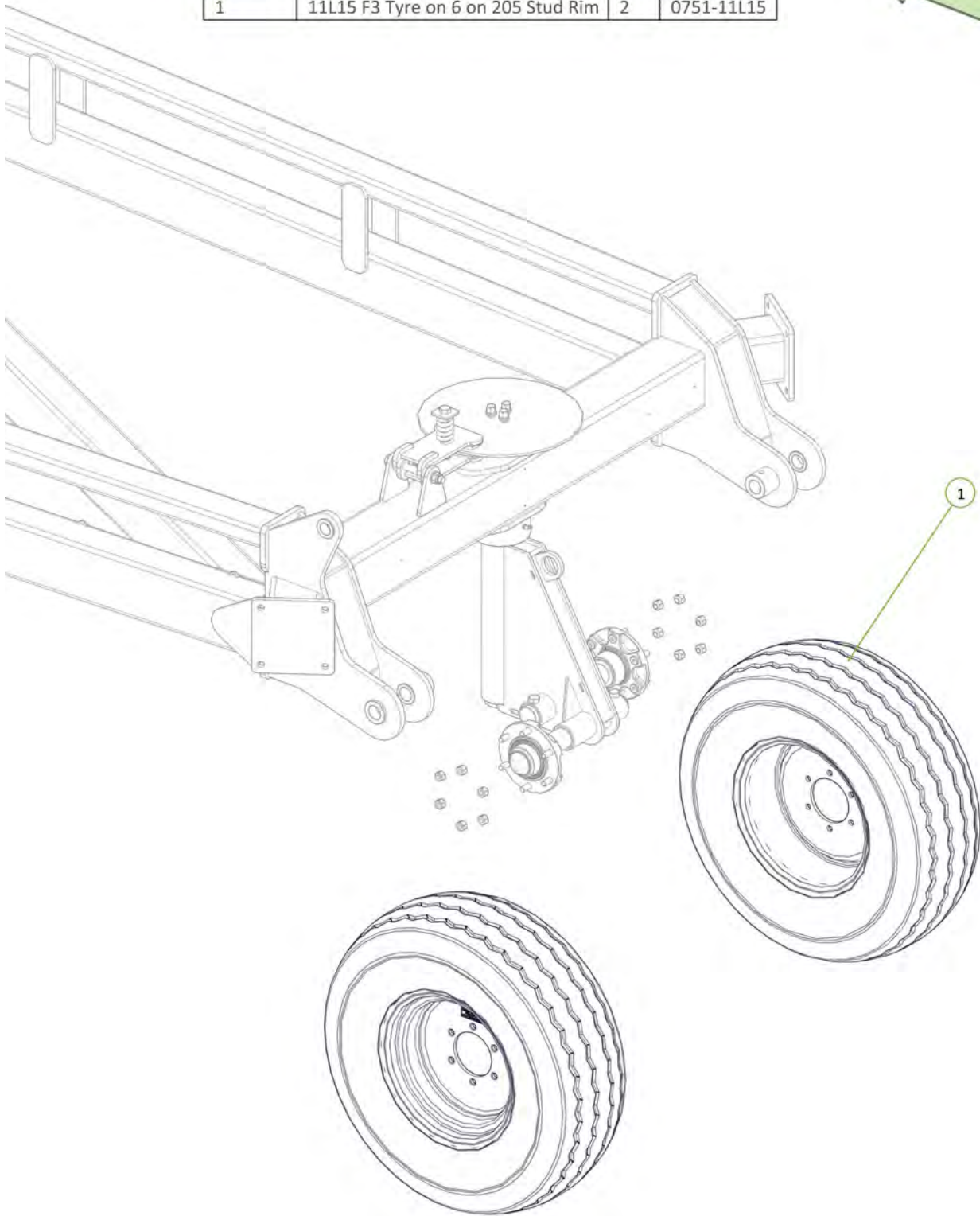
Check tension of brake calliper spring (50-63mm road transport) ○

Signed \_\_\_\_\_ Date \_\_\_/\_\_\_/\_\_\_  
 Unit Serial Number \_\_\_\_\_

Item No.	Description	Qty	Number
1	Axle 2"R 3T 6 on 6"PCD 330 OHF Complete Assembly Inc GS	2	0733-LG8880093
2	M16 x 90 grade 8.8 zp Bolt	2	0211-1690
3	Nyloc Nut M16	2	0221-NYL16



Item No.	Description	Qty	Number
1	11L15 F3 Tyre on 6 on 205 Stud Rim	2	0751-11L15

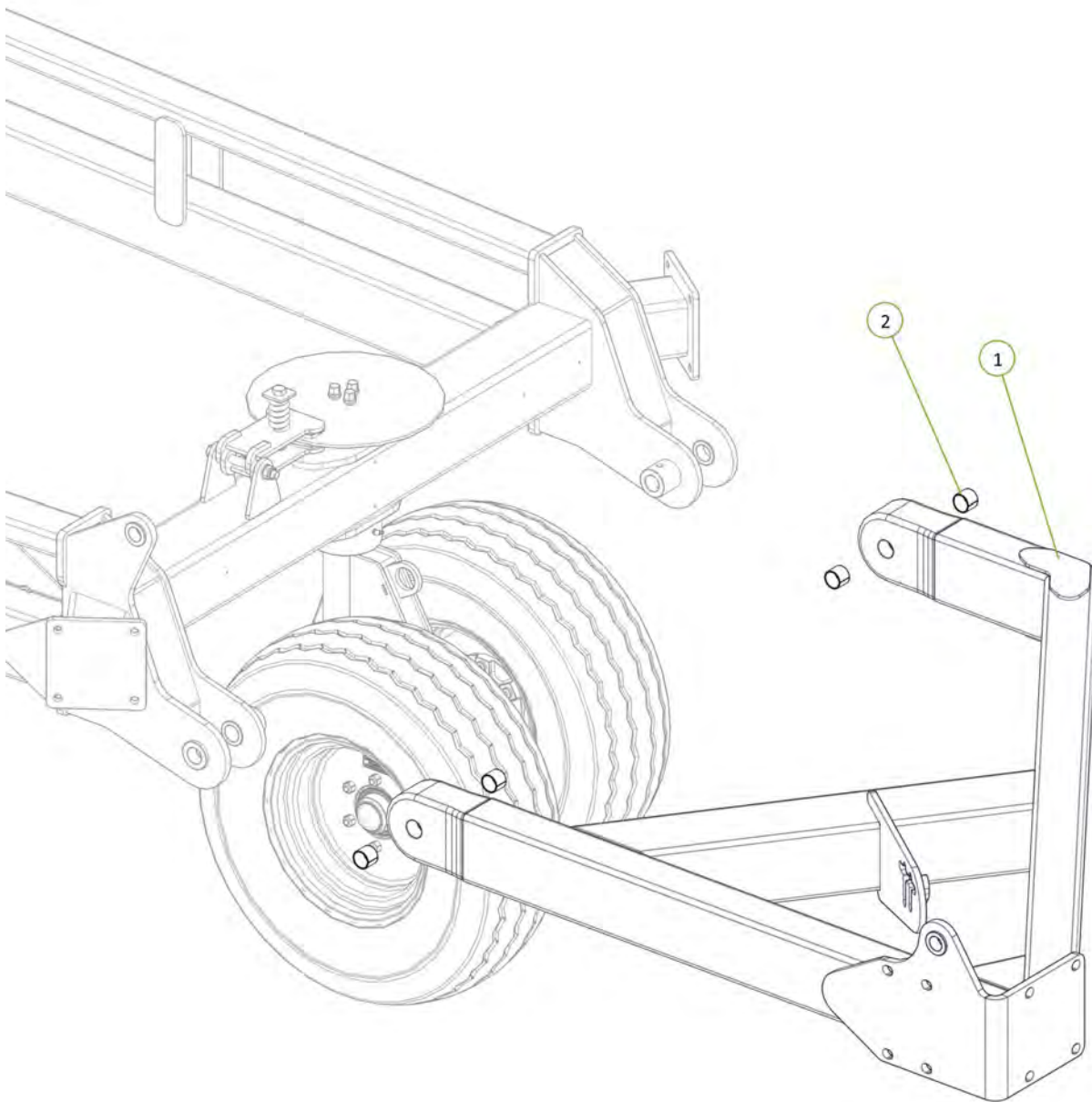


All wheel nuts tightened to 90Ft-Lb / 125Nm

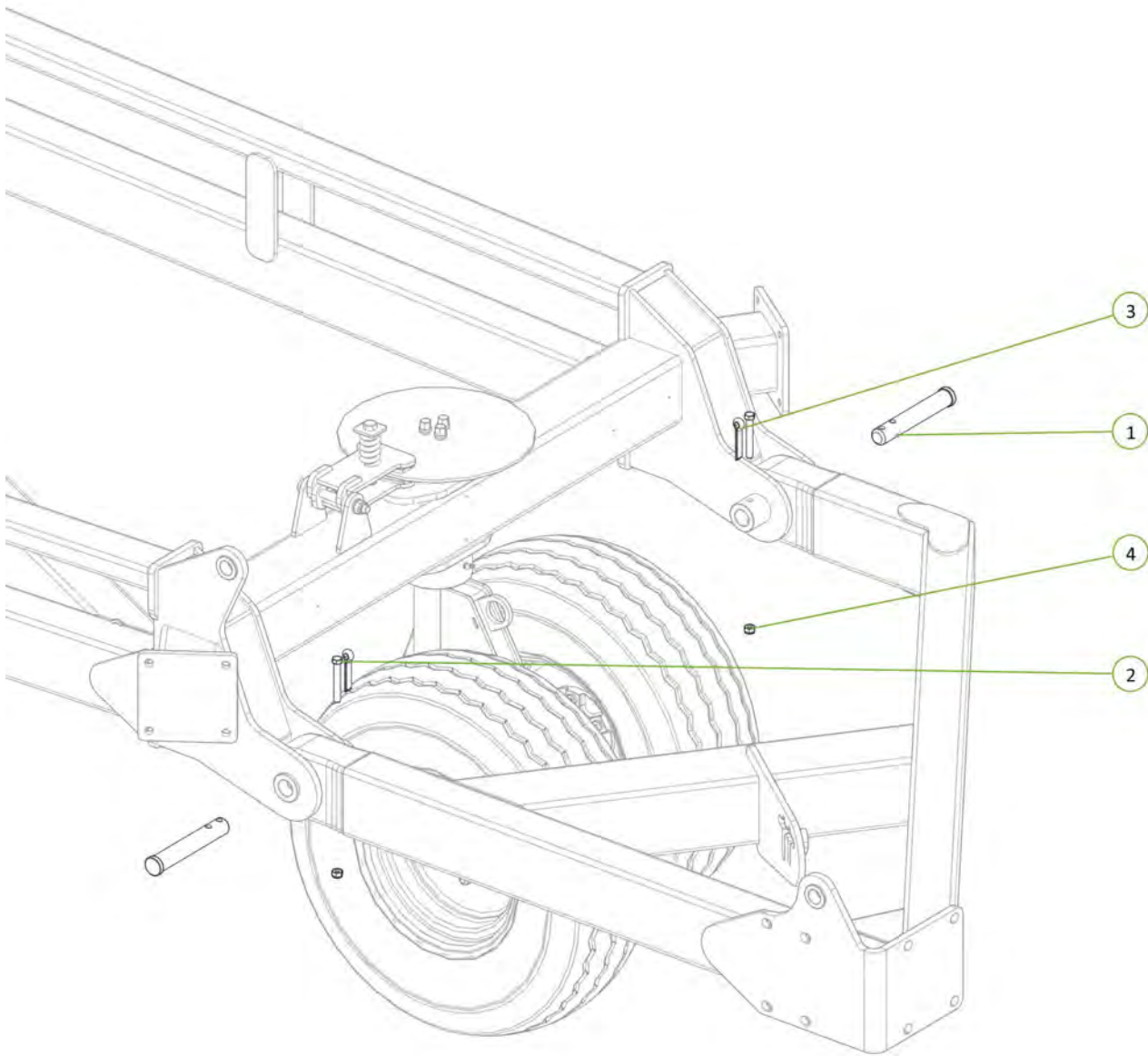


Signed \_\_\_\_\_ Date \_\_/\_\_/\_\_  
 Unit Serial Number \_\_\_\_\_

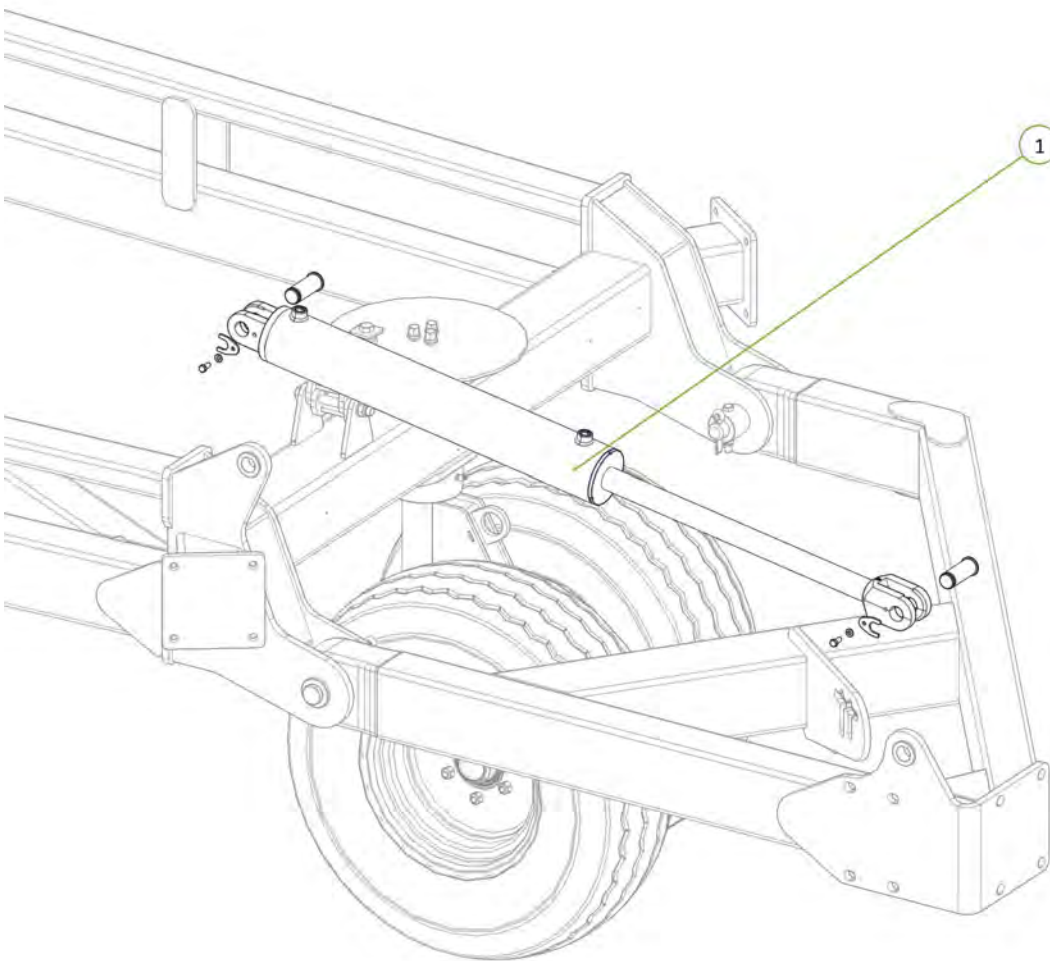
Item No.	Description	Qty	Number
1	Rear Tail	1	1510-40S
2	35 ID x 30mm DU Bush	4	0113-MB3530DU



Item No.	Description	Qty	Number
1	PCH Wing Pivot Pin	2	0801-10-08-235
2	M12 x 90 Class 10.9 ZP Bolt	2	0211-1290HT
3	Cotter Pin M13 x 63	2	0261-PINC1363
4	Nyloc Nut M12	2	0221-NYL12

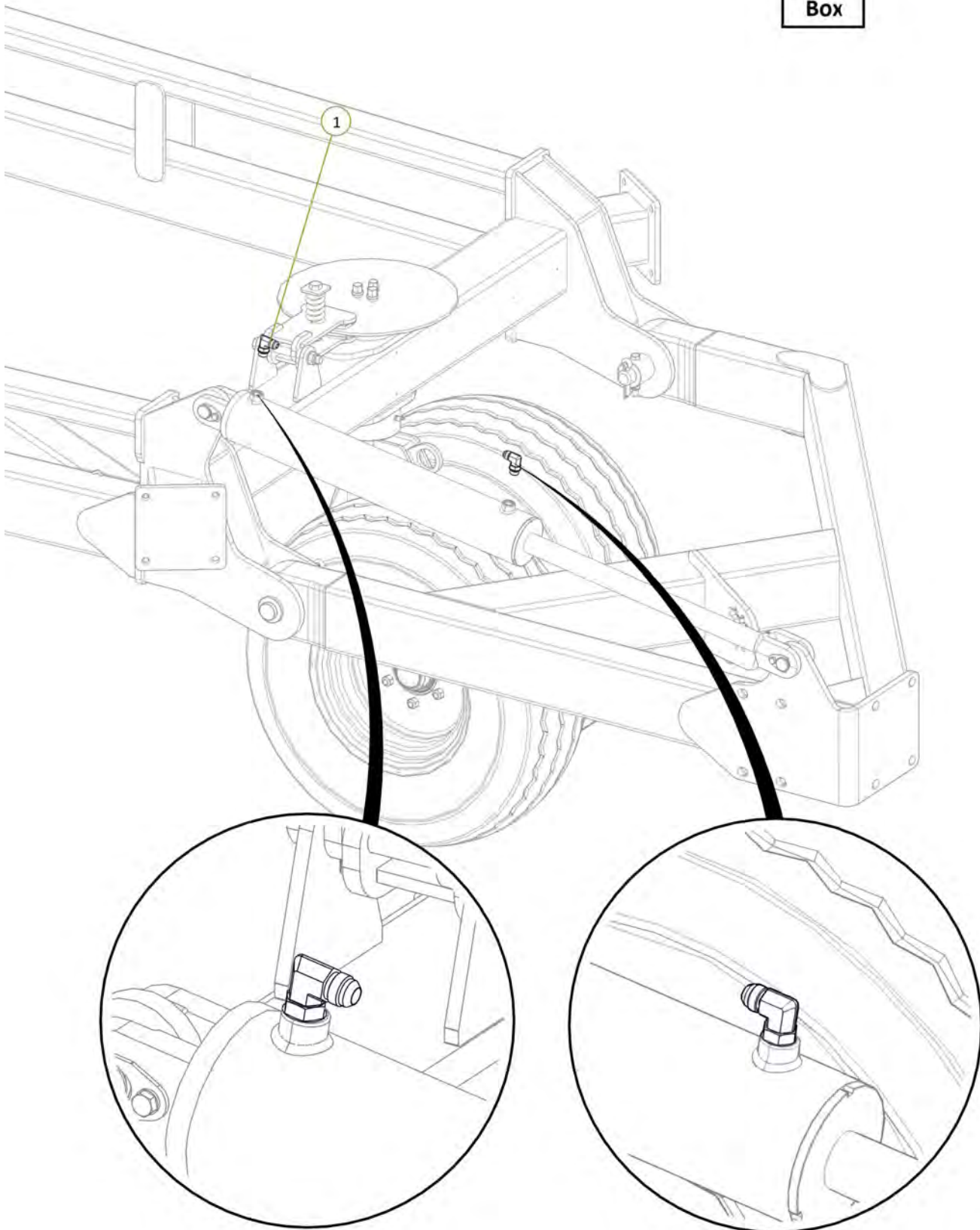


Item No.	Description	Qty	Number
1	4" Bore 24" Stroke 1.75" Rod Hydraulic Cylinder	1	0311-424

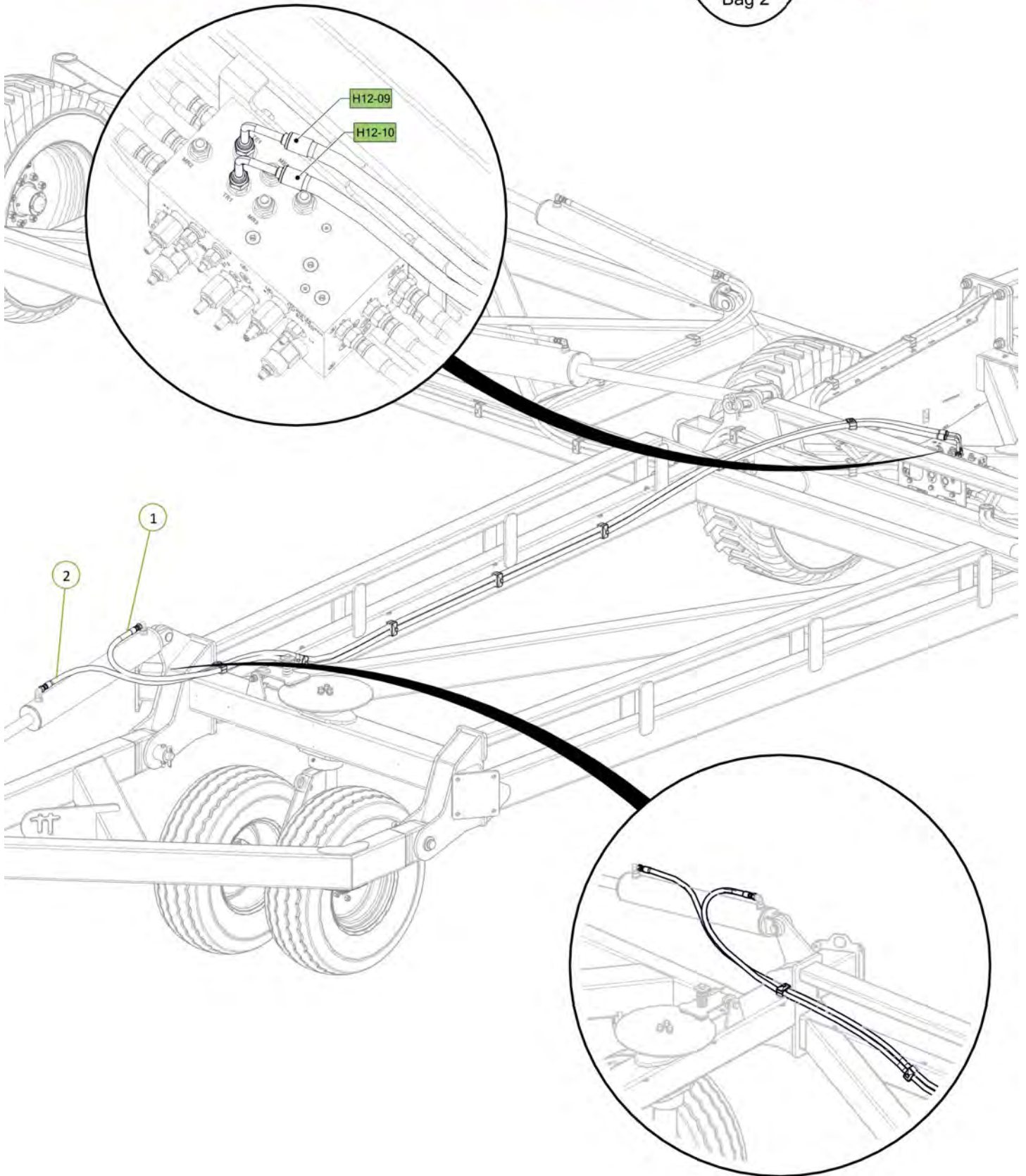




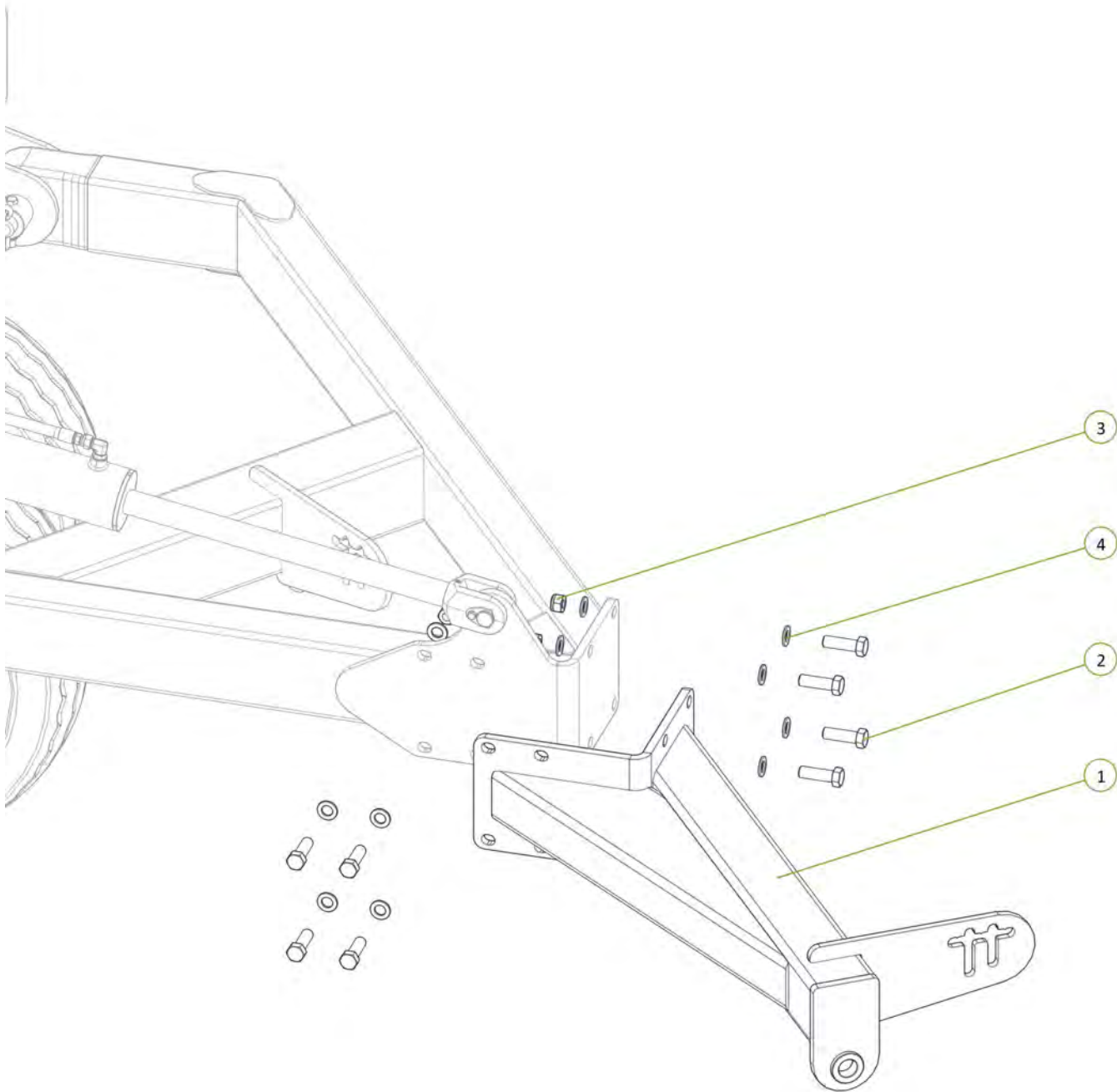
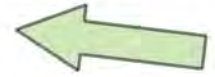
Item No.	Description	Qty	Number
1	3/4" JIC Male 3/4" UN O Ring Male 90° Elbow	2	0323-S91-1212



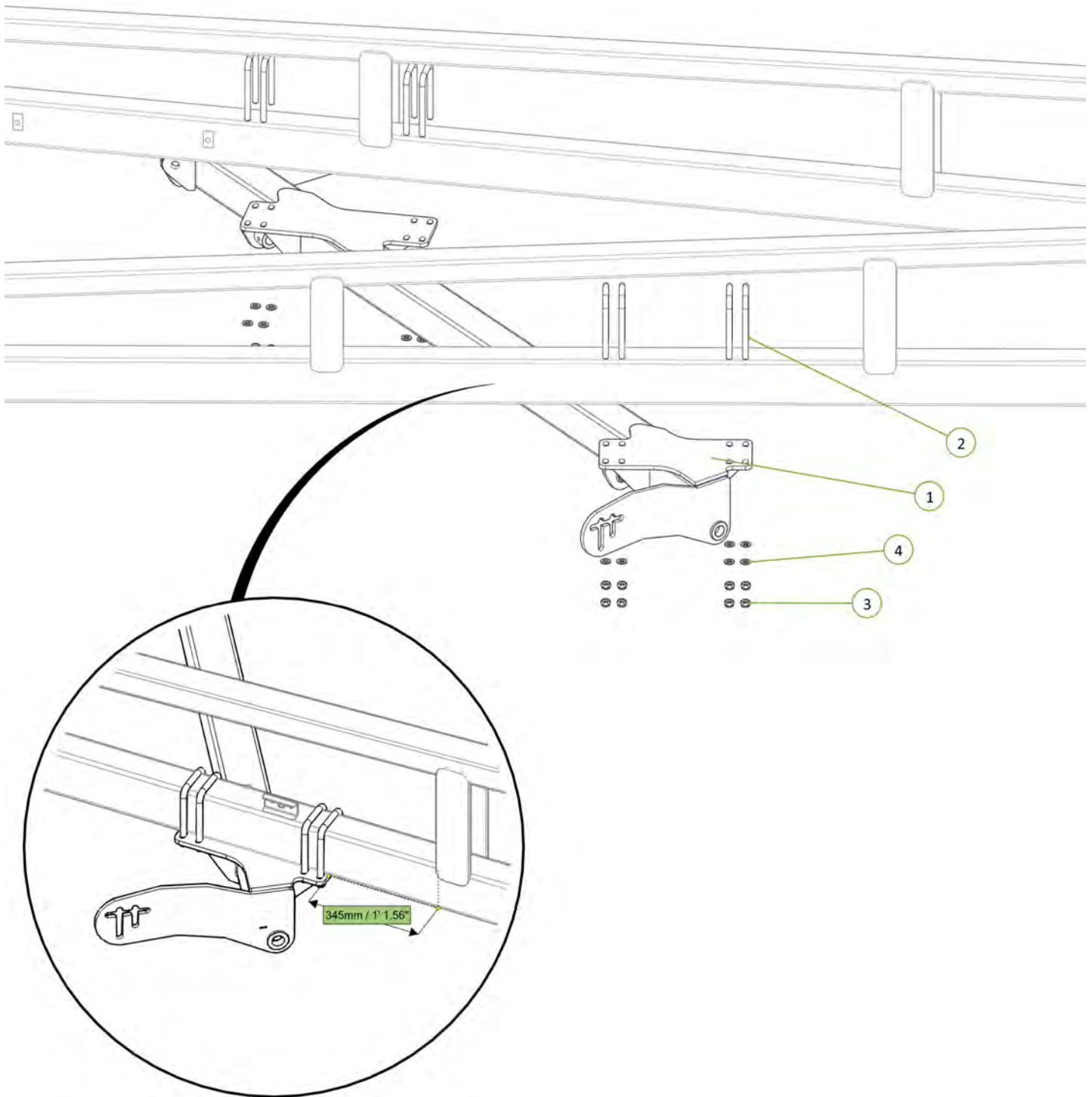
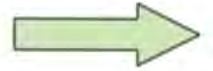
Item No.	Description	Qty	Number
1	TE1 Port to Tail Lift Cylinder Extend Port	1	H12-09
2	TR1 Port to Tail Lift Cylinder Retract Port	1	H12-10



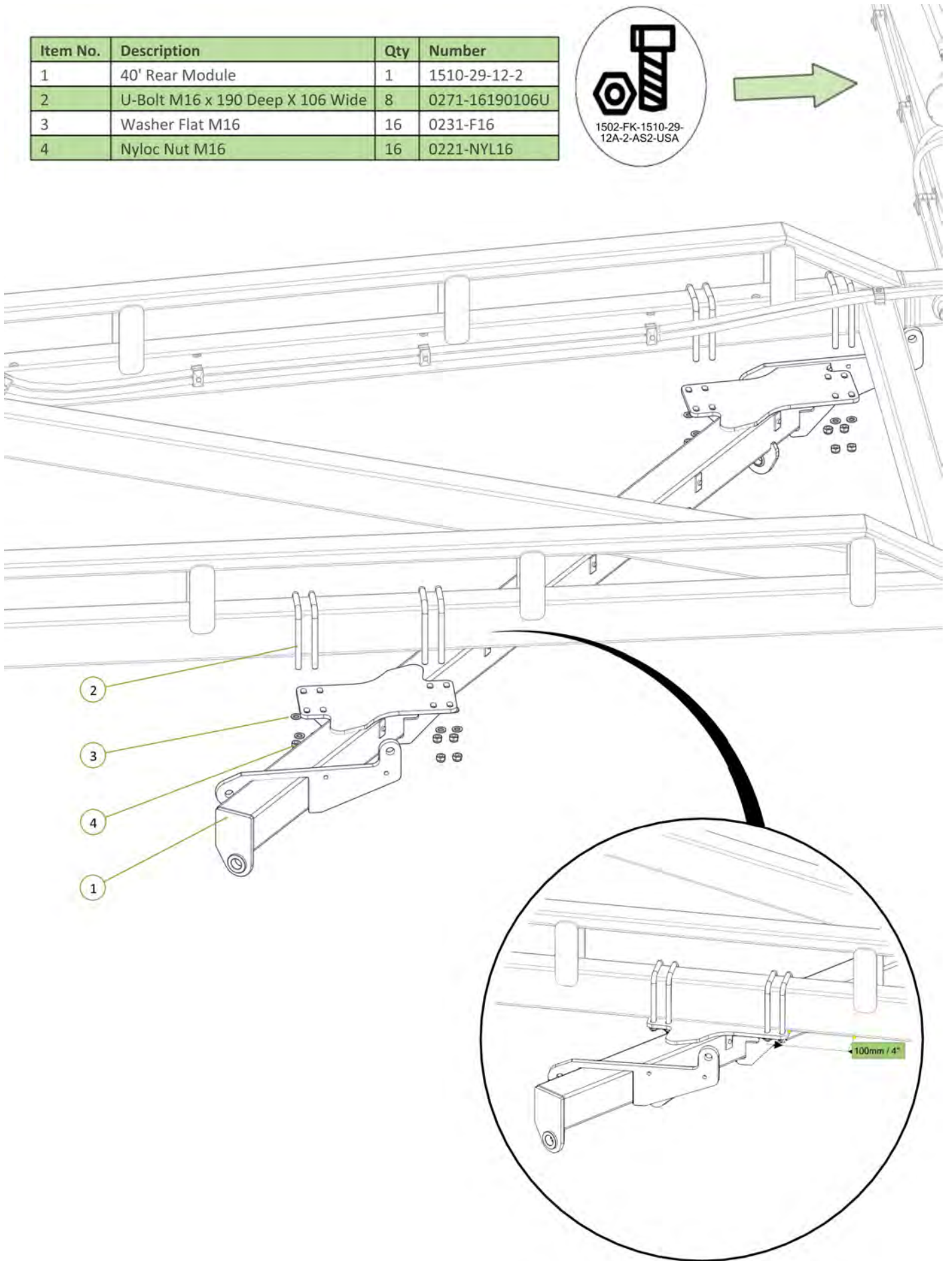
Item No.	Description	Qty	Number
1	Tail Extension	1	1510-40ST
2	M20 x 65 grade 8.8 ZP Bolt	8	0211-2065
3	Nyloc Nut M20	8	0221-NYL20
4	Washer Flat M20	16	0231-F20



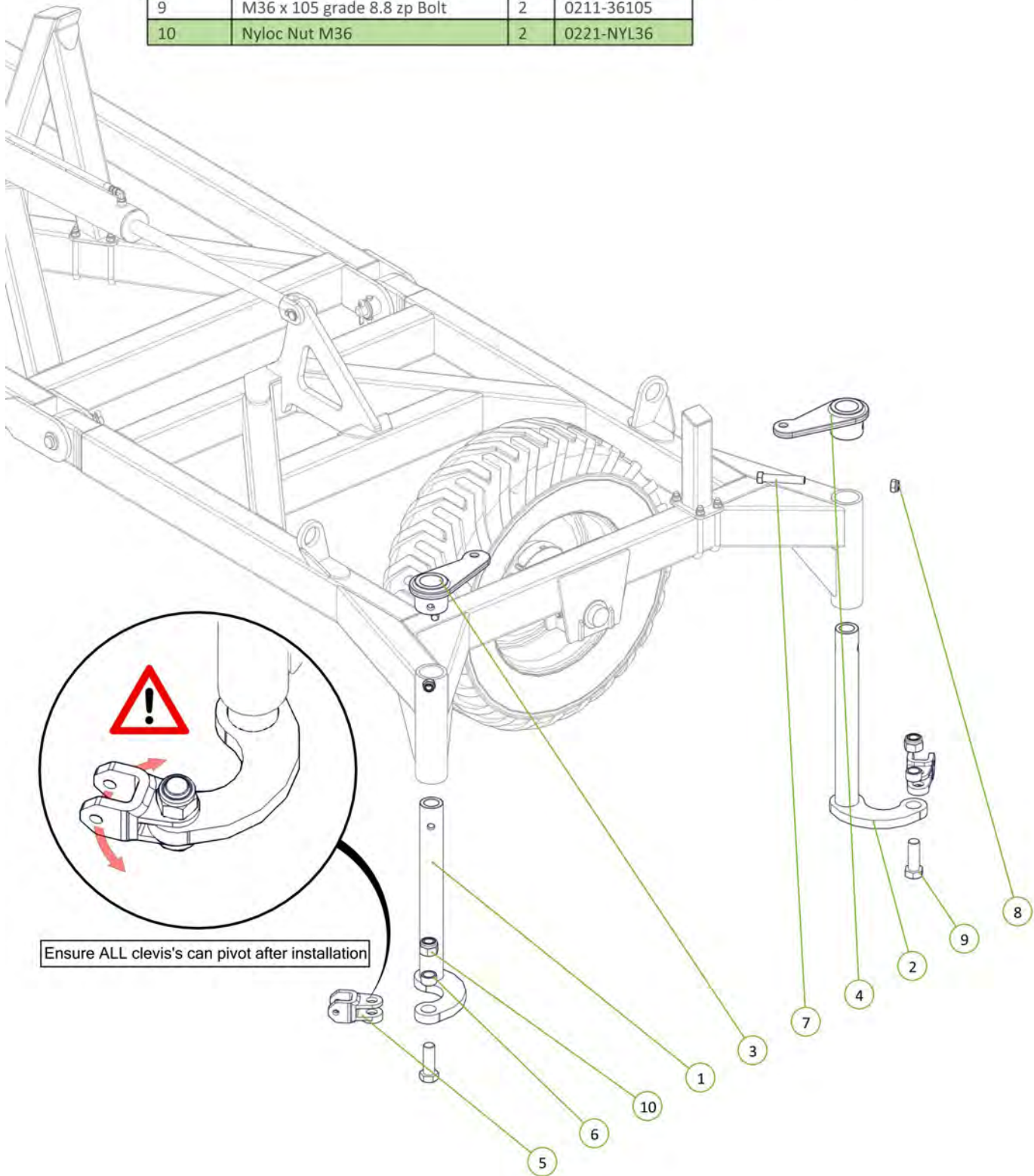
Item No.	Description	Qty	Number
1	40' Front Module	1	1510-28-12
2	U-Bolt M16 x 190 Deep X 106 Wide	8	0271-16190106U
3	Nyloc Nut M16	16	0221-NYL16
4	Washer Flat M16	16	0231-F16



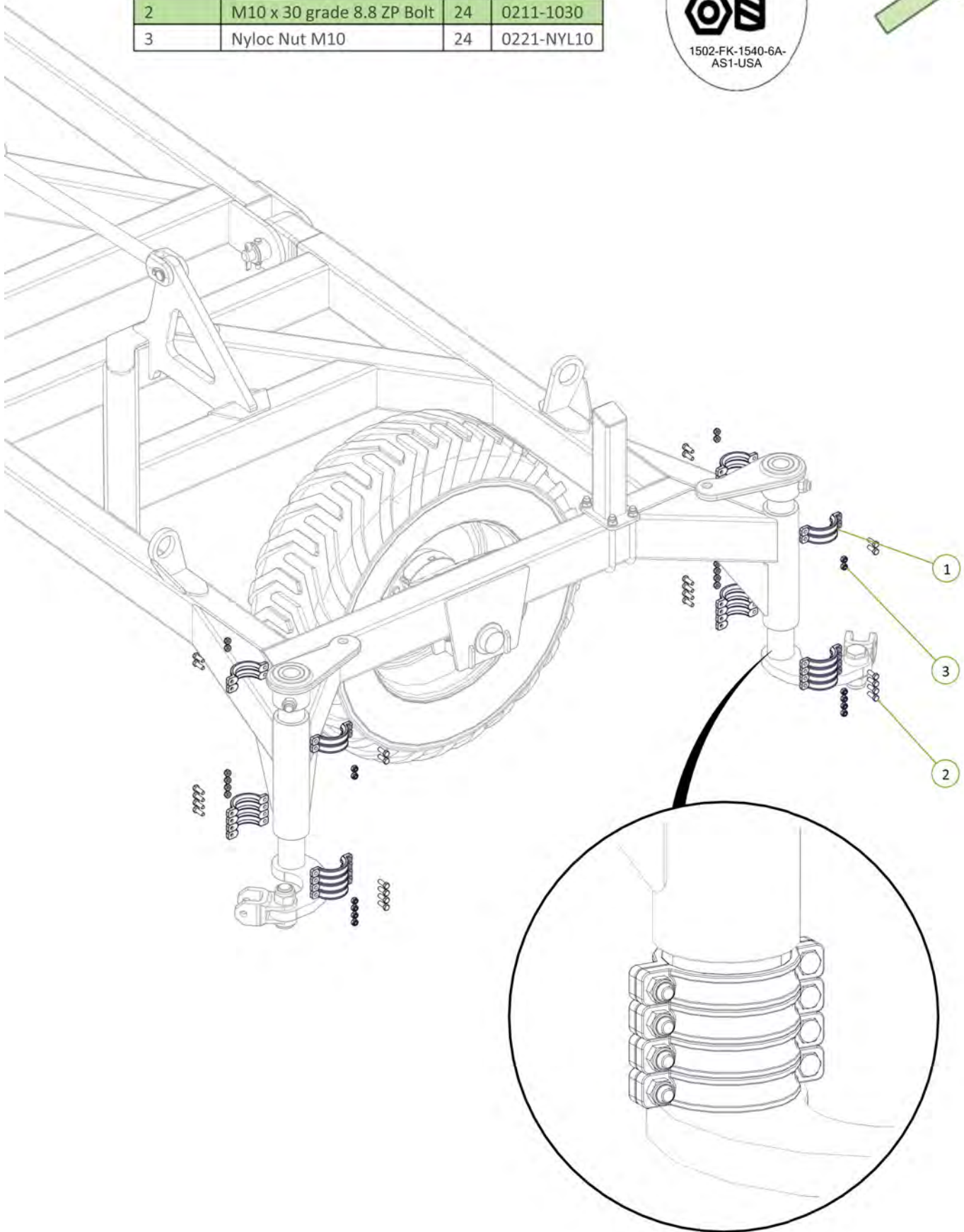
Item No.	Description	Qty	Number
1	40' Rear Module	1	1510-29-12-2
2	U-Bolt M16 x 190 Deep X 106 Wide	8	0271-16190106U
3	Washer Flat M16	16	0231-F16
4	Nyloc Nut M16	16	0221-NYL16



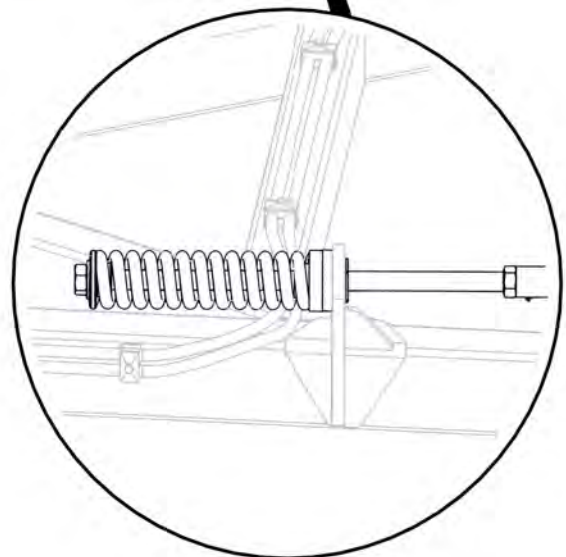
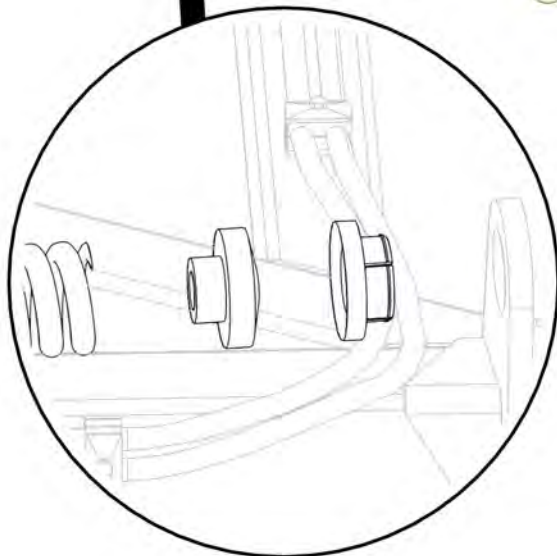
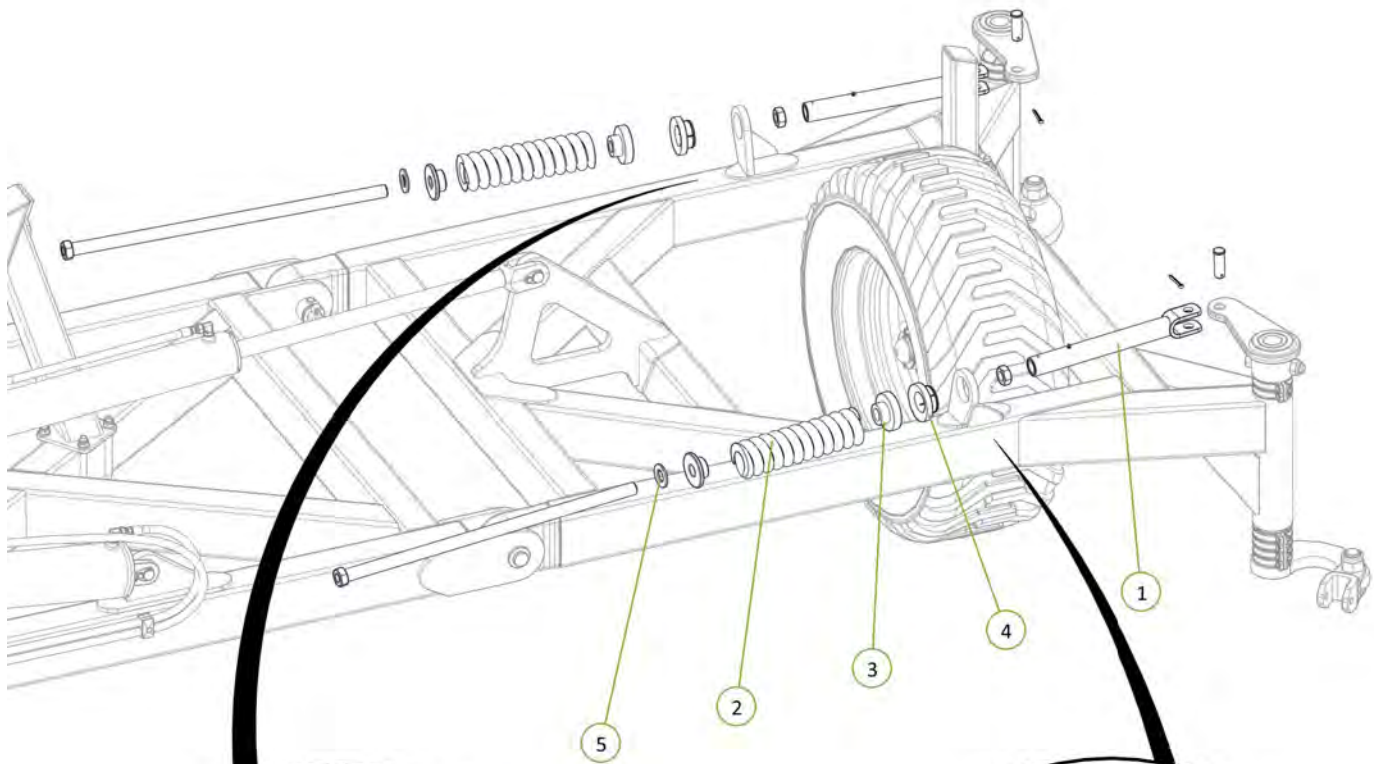
Item No.	Description	Qty	Number
1	Super Single LH Drop Leg No Clevis	1	0810-24SF
2	Super Single RH Drop Leg No Clevis	1	0810-25SF
3	LH Chain Adjusting Lug	1	0810-26
4	RH Chain Adjusting Lug	1	0810-27
5	Forged Clevis 21mm Bolt Hole	2	0801-FC21
6	Stainless Steel Wear Bush	2	1501-365033-SS
7	M24 x 140 grade 8.8 zp Bolt	2	0211-24140
8	Nyloc Nut M24	2	0221-NYL24
9	M36 x 105 grade 8.8 zp Bolt	2	0211-36105
10	Nyloc Nut M36	2	0221-NYL36



Item No.	Description	Qty	Number
1	Cast 25mm Spacing	24	0801-CS25
2	M10 x 30 grade 8.8 ZP Bolt	24	0211-1030
3	Nyloc Nut M10	24	0221-NYL10

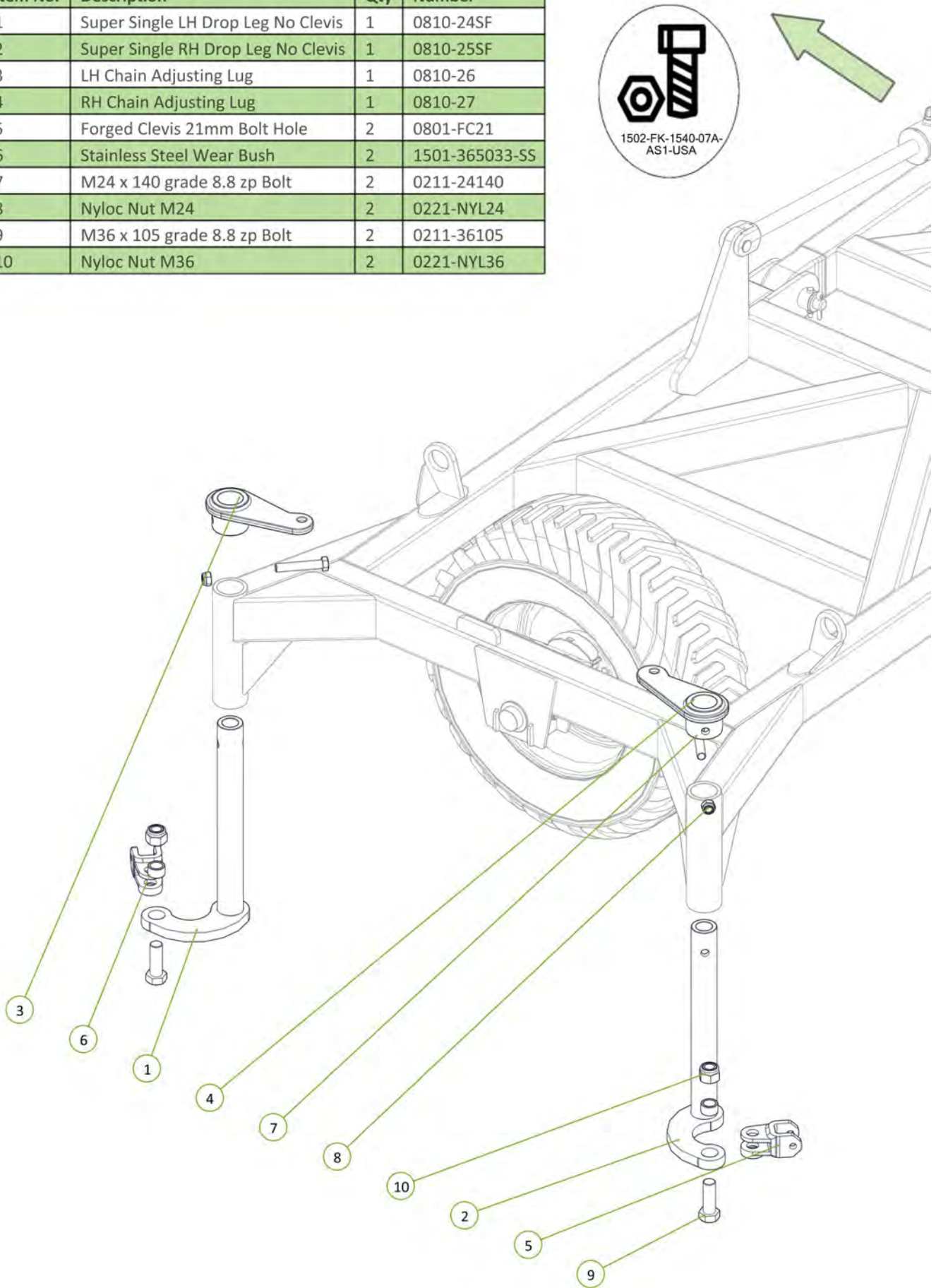


Item No.	Description	Qty	Number
1	Chain Tension Adjustor	2	0802-PCHTA
2	Heavy Duty Coil Spring 24mm	2	0801-K2455350
3	Tensioner Cup - Male	2	0801-KE0805-3
4	Female Spring Locator	2	0801-KE0805-4
5	Washer High Tensile 1 1/4"	2	0232-HT11-4

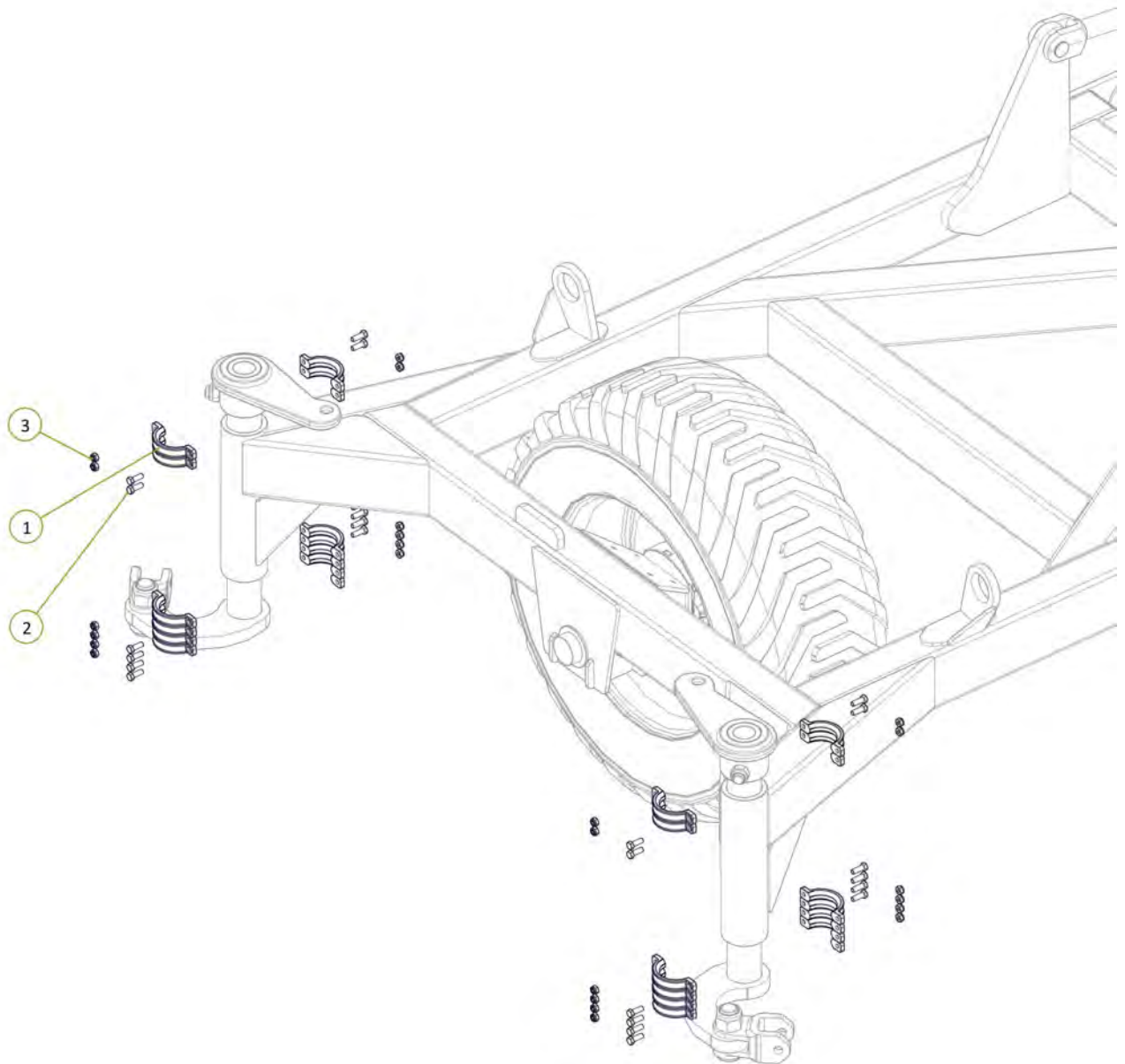




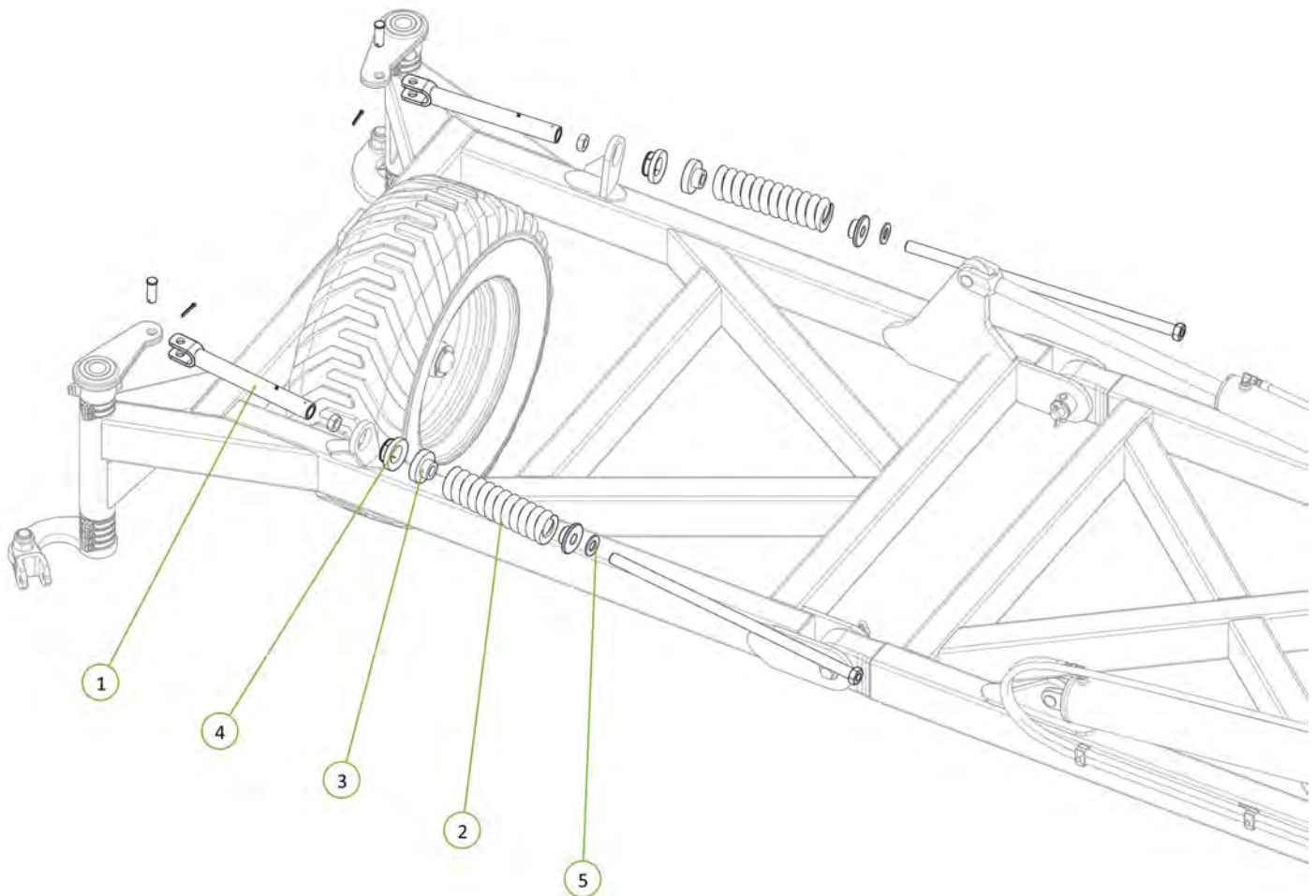
Item No.	Description	Qty	Number
1	Super Single LH Drop Leg No Clevis	1	0810-24SF
2	Super Single RH Drop Leg No Clevis	1	0810-25SF
3	LH Chain Adjusting Lug	1	0810-26
4	RH Chain Adjusting Lug	1	0810-27
5	Forged Clevis 21mm Bolt Hole	2	0801-FC21
6	Stainless Steel Wear Bush	2	1501-365033-SS
7	M24 x 140 grade 8.8 zp Bolt	2	0211-24140
8	Nyloc Nut M24	2	0221-NYL24
9	M36 x 105 grade 8.8 zp Bolt	2	0211-36105
10	Nyloc Nut M36	2	0221-NYL36

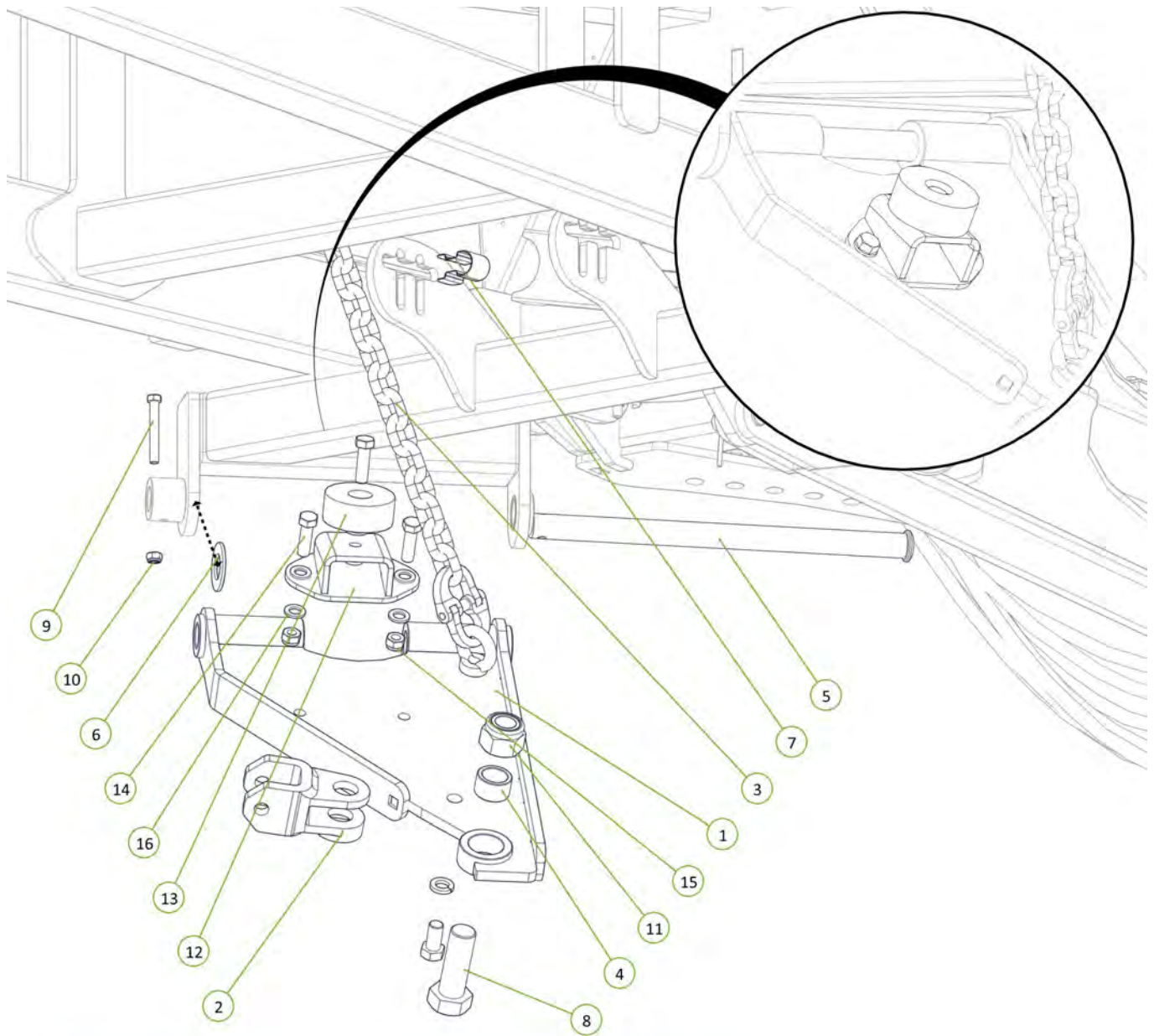


Item No.	Description	Qty	Number
1	Cast 25mm Spacing	24	0801-CS25
2	M10 x 30 grade 8.8 ZP Bolt	24	0211-1030
3	Nyloc Nut M10	24	0221-NYL10



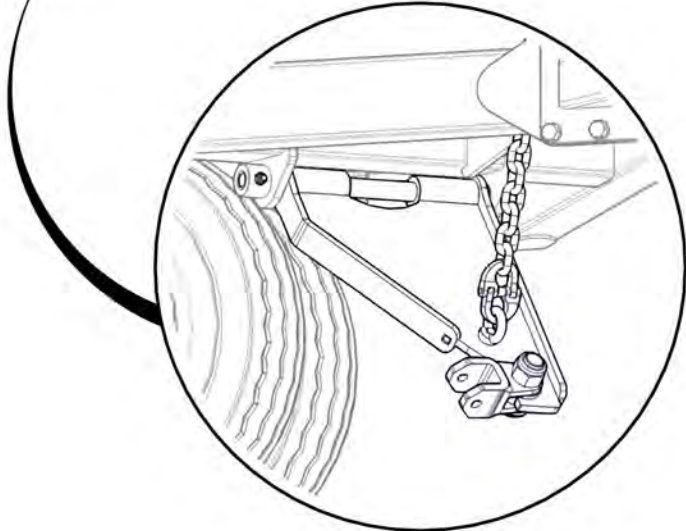
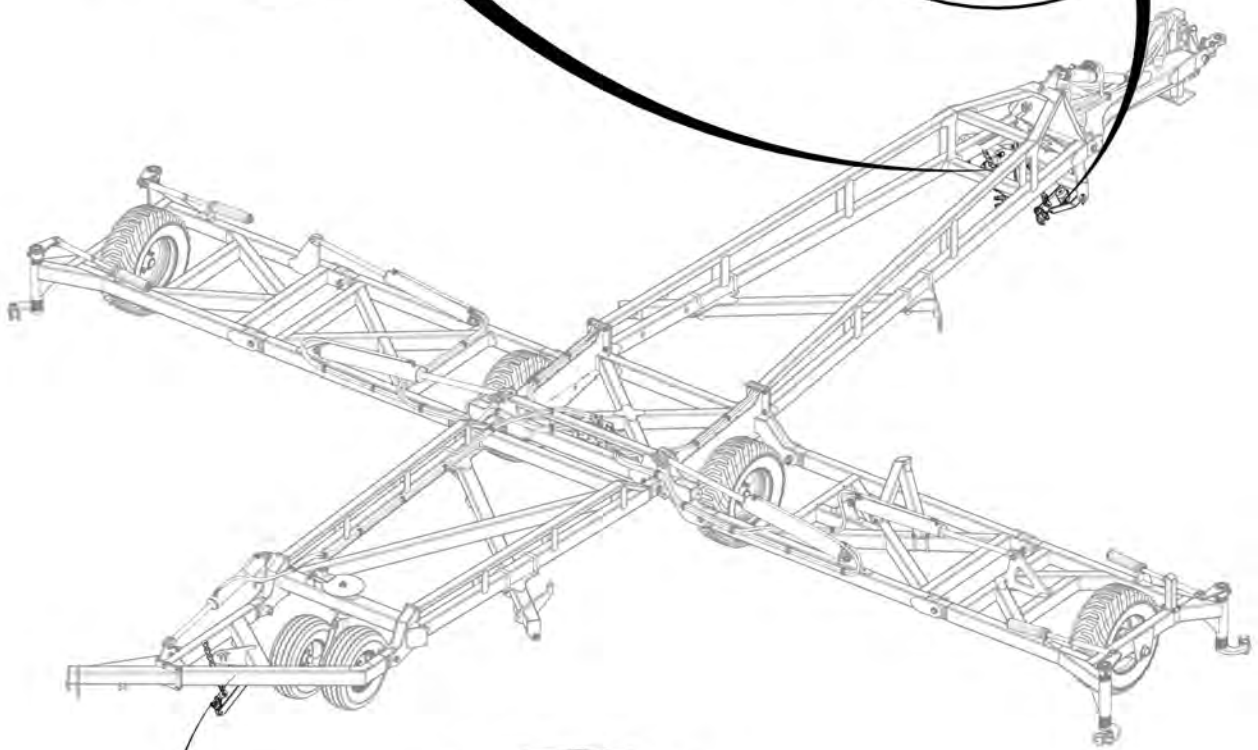
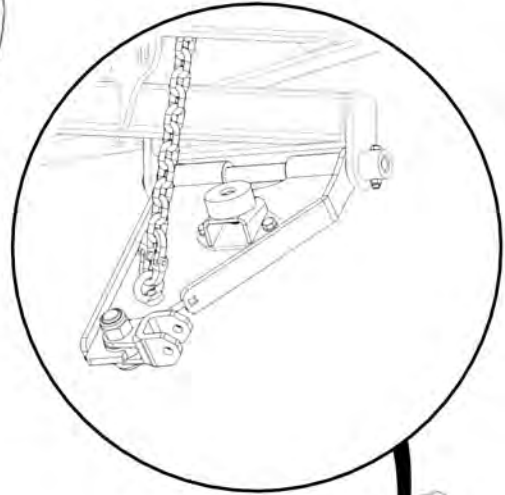
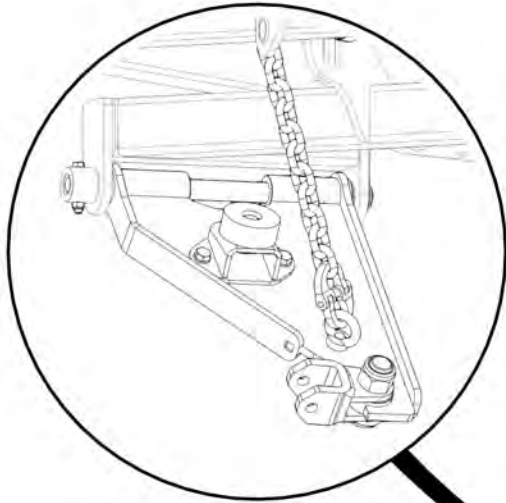
Item No.	Description	Qty	Number
1	Chain Tension Adjustor	2	0802-PCHTA
2	Heavy Duty Coil Spring 24mm	2	0801-K2455350
3	Tensioner Cup - Male	2	0801-KE0805-3
4	Female Spring Locator	2	0801-KE0805-4
5	Washer High Tensile 1 1/4"	2	0232-HT11-4



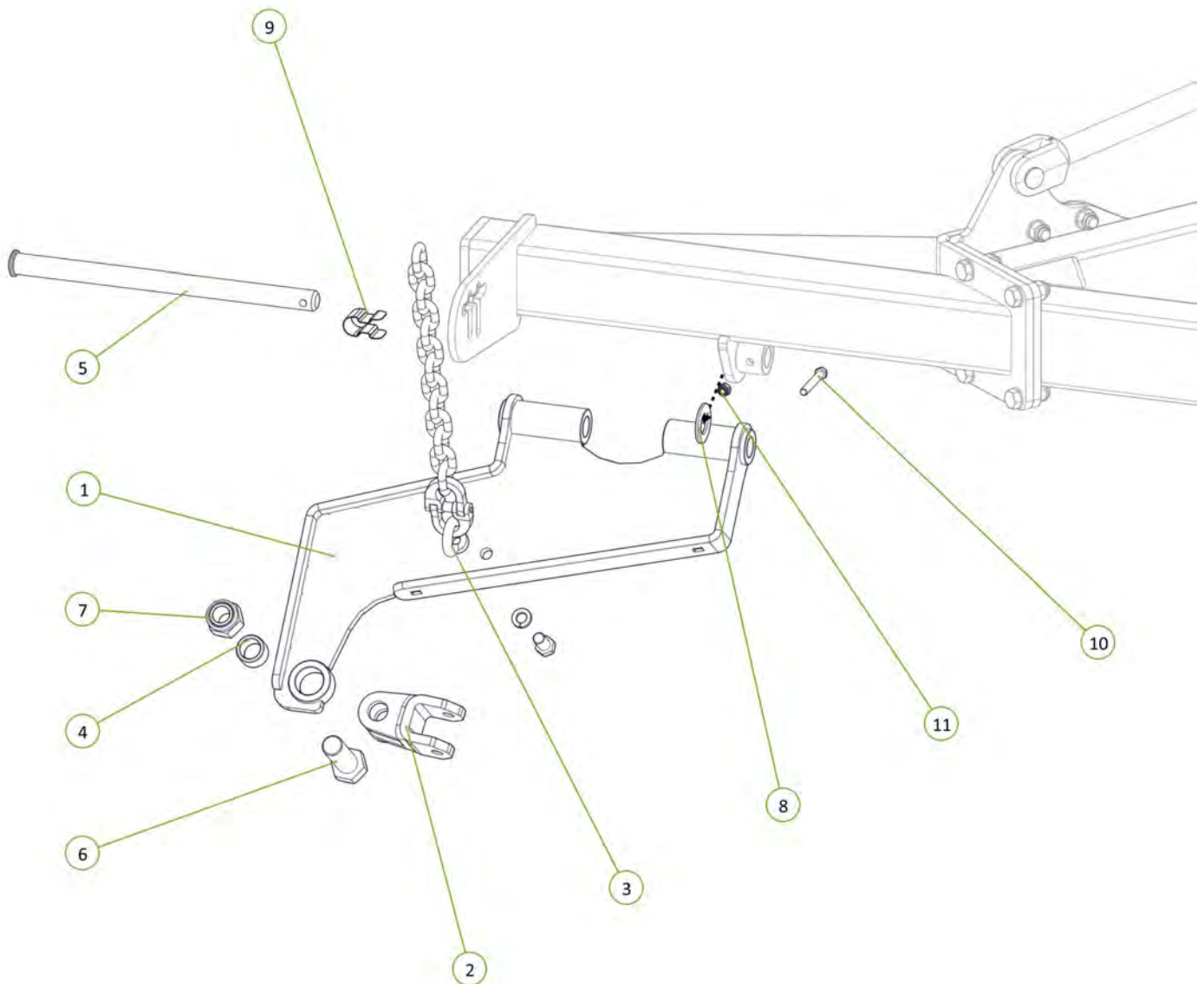


Item No.	Description	Qty	Number
1	Standard Chain Mount Plate	1	0810-20
2	Forged Clevis 21mm Bolt Hole	1	0801-FC21
3	Height Adjusting Chain Assembly 13 Link	1	0801-20MCA
4	Stainless Steel Wear Bush	1	1501-365033-SS
5	Chain Mount Pivot Pin	1	0801-10-51
6	Washer High Tensile 1 3/8"	1	0232-HT13-8
7	Height Adjustor Retaining Clip	1	0801-KE014
8	M36 Grade 8.8 ZP Bolt	1	0211-36105
9	M12 x 90 Class 10.9 ZP Bolt	1	0211-1290HT
10	Nyloc Nut M12	1	0221-NYL12
11	Nyloc Nut M36	1	0221-NYL36
12	Buffer Mount	1	0810-43
13	Wing Folding Buffer	1	1201-12
14	M16 x 55 Grade 8.8 ZP Bolt	3	0211-1655
15	Nyloc Nut M16	3	0221-NYL16
16	Washer Flat M16	6	0231-F16

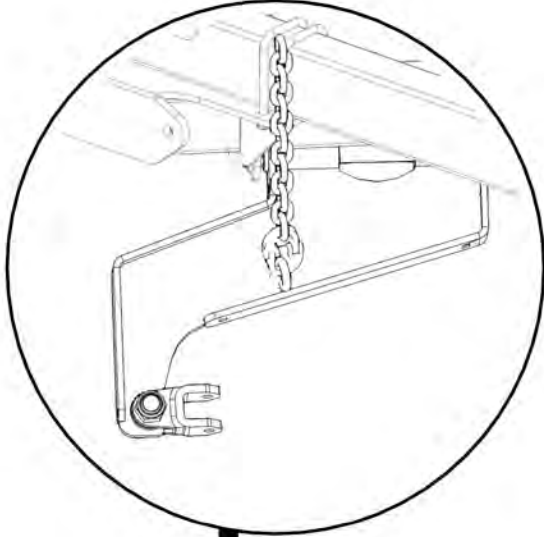




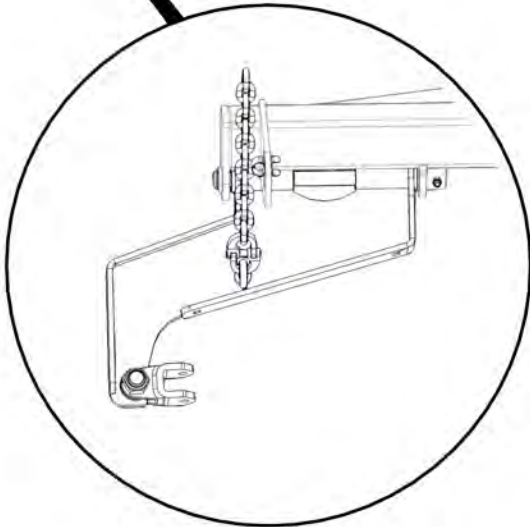
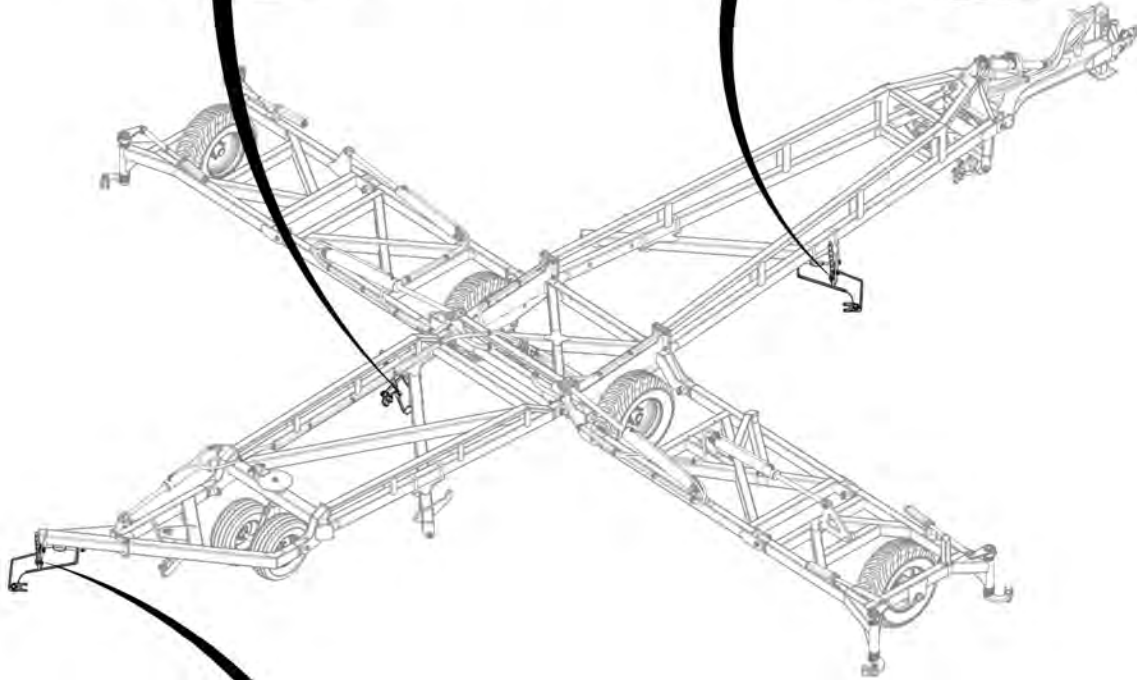
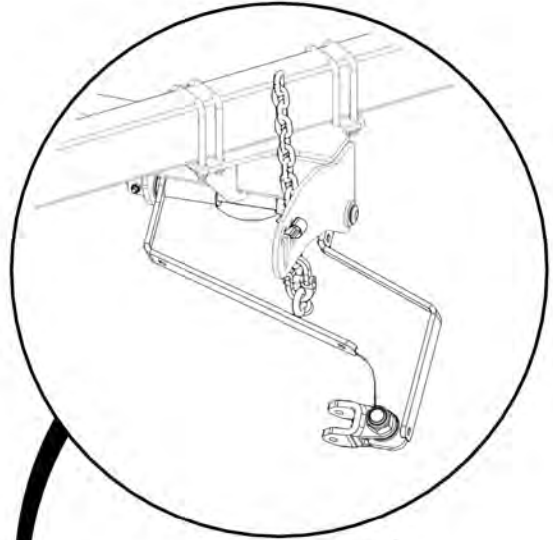
Item No.	Description	Qty	Number
1	Extended Chain Mount Plate	1	0810-30
2	Forged Clevis 21mm Bolt Hole	1	0801-FC21
3	Height Adjusting Chain Assembly 13 Link	1	0801-20MCA
4	Stainless Steel Wear Bush	1	1501-365033-SS
5	Chain Mount Pivot Pin	1	0801-10-51
6	M36 x 105 grade 8.8 zp Bolt	1	0211-36105
7	Nyloc Nut M36	1	0221-NYL36
8	Washer High Tensile 1 3/8"	1	0232-HT13-8
9	Height Adjustor Retaining Clip	1	0801-KE014
10	M12 x 90 Class 10.9 ZP Bolt	1	0211-1290HT
11	Nyloc Nut M12	1	0221-NYL12



1502-FK-1510-29-  
12A-2-AS2-USA

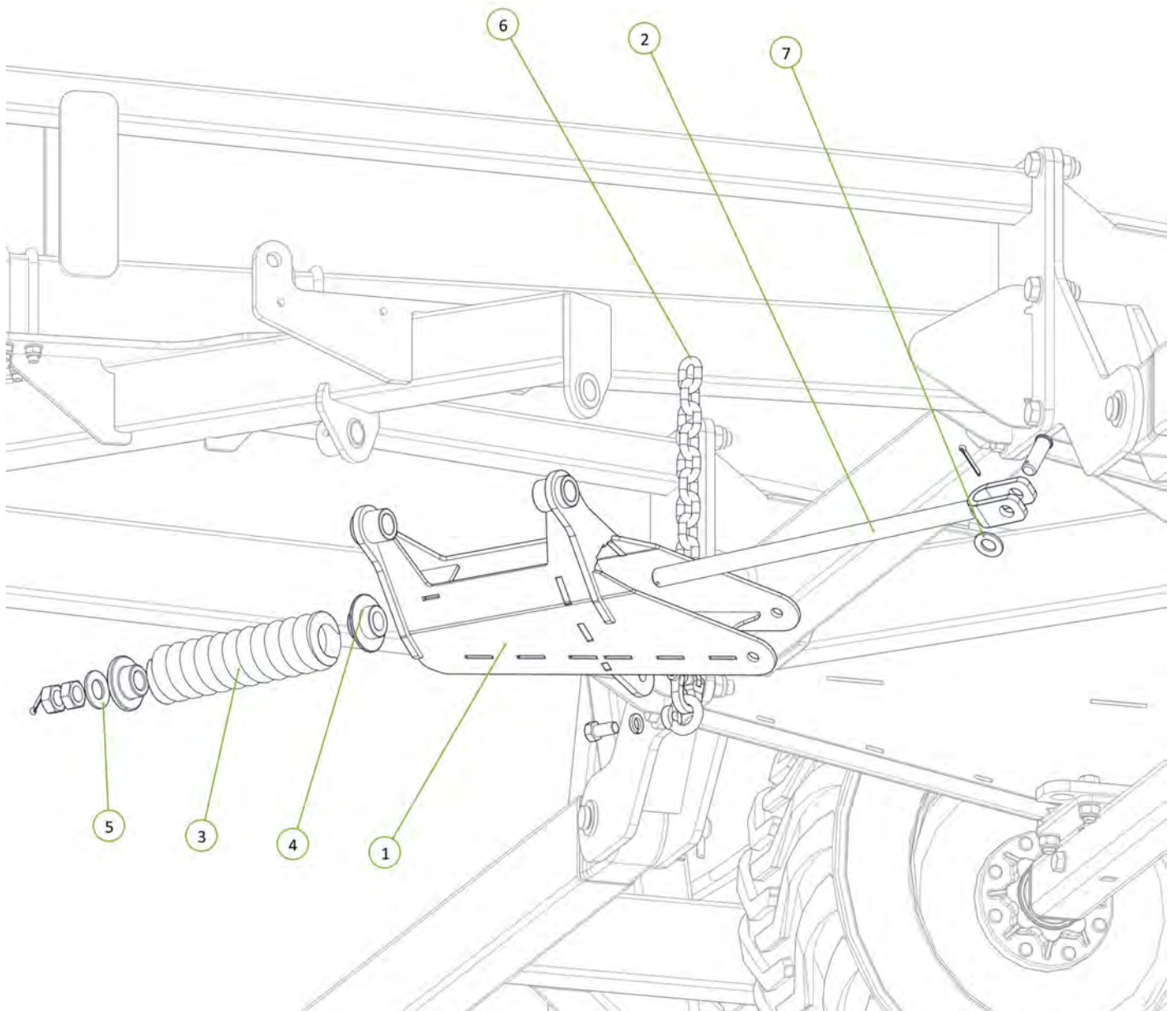


1502-FK-1510-28-  
12A-AS2-USA



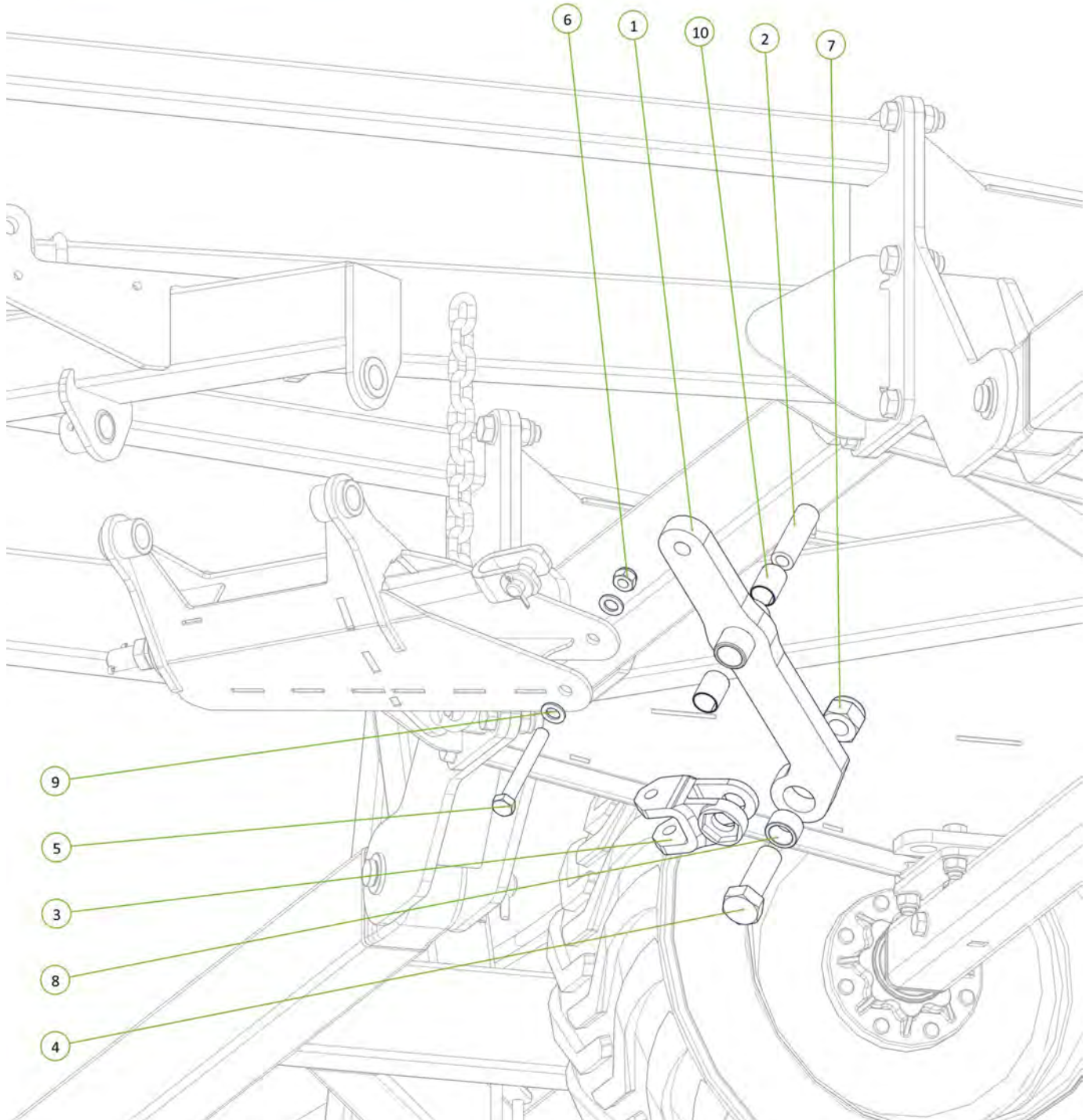
1502-FK-1510-40A-  
AS2-USA

Item No.	Description	Qty	Number
1	Tension Box	1	0810-57
2	Module Tension Rod Assembly	1	0810-105A
3	Heavy Duty Coil Spring 24mm	1	0801-K2455350
4	Rigid Spring Locator	1	0801-10-S2L
5	Washer High Tensile 1 1/4"	1	0232-HT11-4
6	Height Adjusting Chain Assembly 13 Link	1	0801-20MCA
7	Washer Flat 1"	1	0232-F1

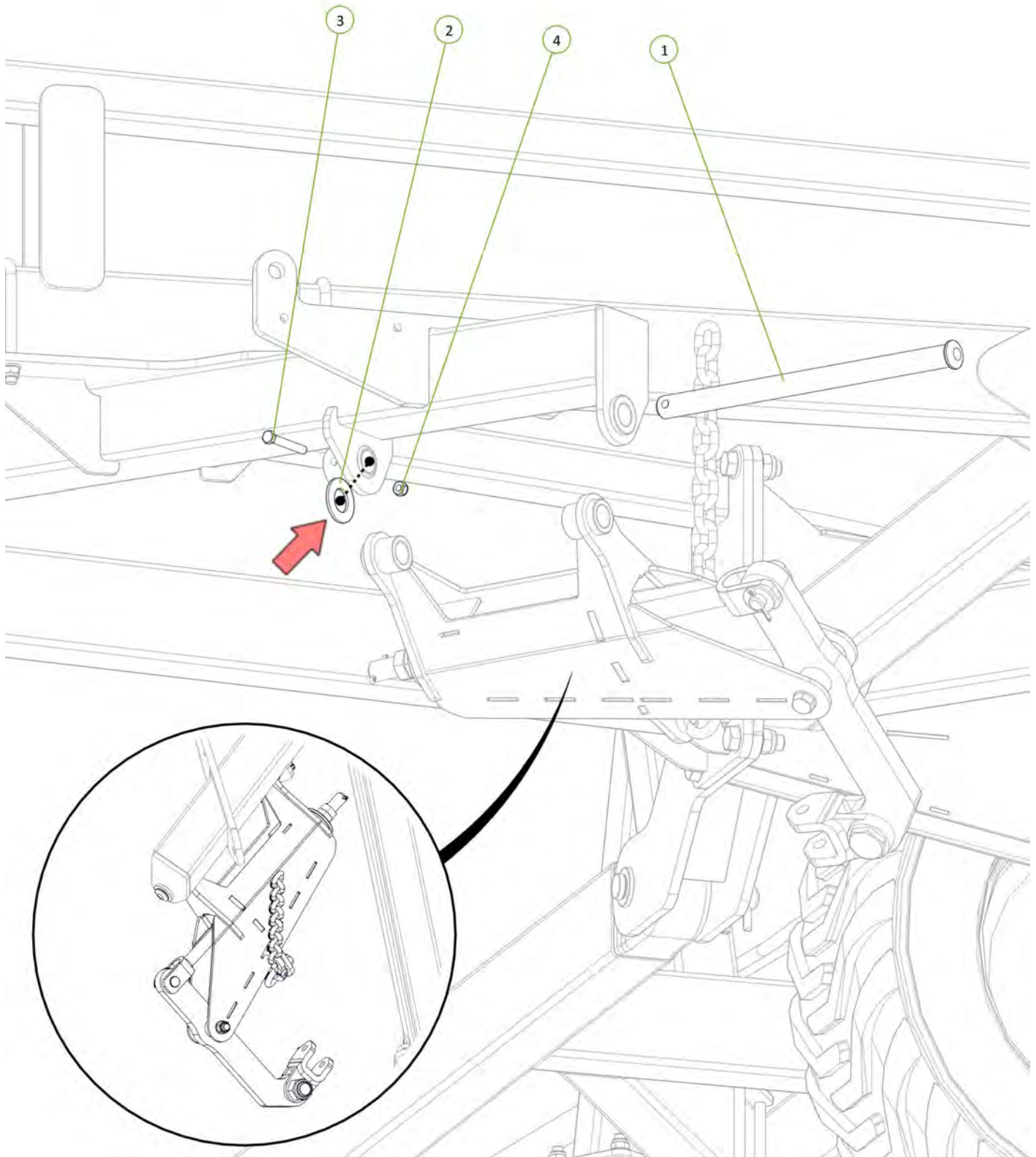


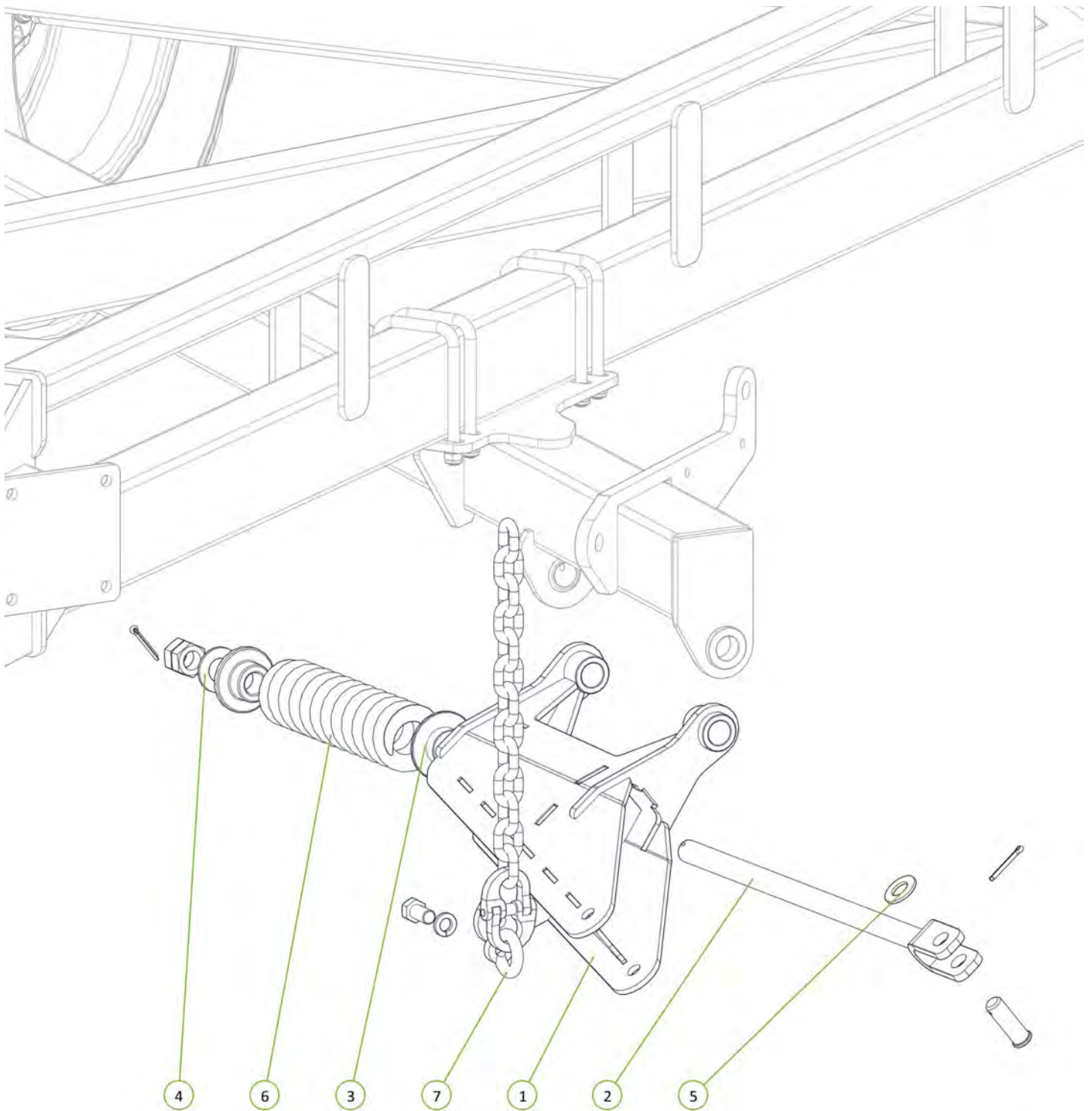


Item No.	Description	Qty	Number
1	Module Tension Arm No Clevis	1	0810-104
2	Module Pivot Arm Bush	1	0801-10-110
3	Forged Clevis 21mm Bolt Hole	1	0801-FC21
4	M36 x 105 Class 8.8 ZP Bolt	1	0211-36105
5	M20 x 160 Grade 8.8 ZP Bolt	1	0211-20160
6	Nyloc Nut M20	1	0221-NYL20
7	Nyloc Nut M36	1	0221-NYL36
8	Wear Bush	1	1501-365033-SS
9	Washer Flat M20	2	0231-F20
10	35 ID x 50mm DU Bush	2	0113-MB3550DU



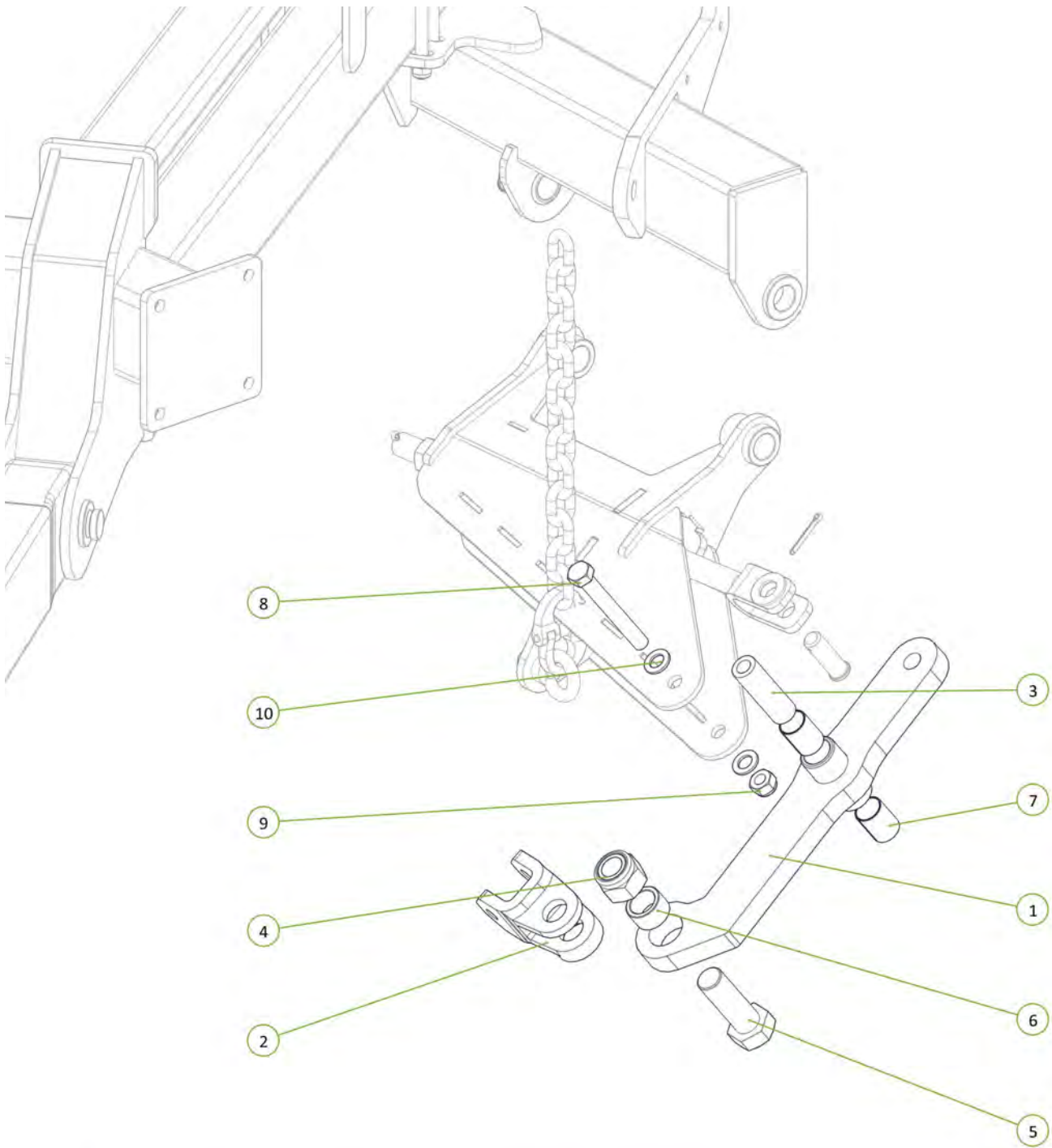
Item No.	Description	Qty	Number
1	Chain Mount Pivot Pin	1	0801-10-51
2	Washer High Tensile 1 3/8"	1	0232-HT13-8
3	M12 x 90 Class 10.9 ZP Bolt	1	0211-1290HT
4	Nyloc Nut M12	1	0221-NYL12





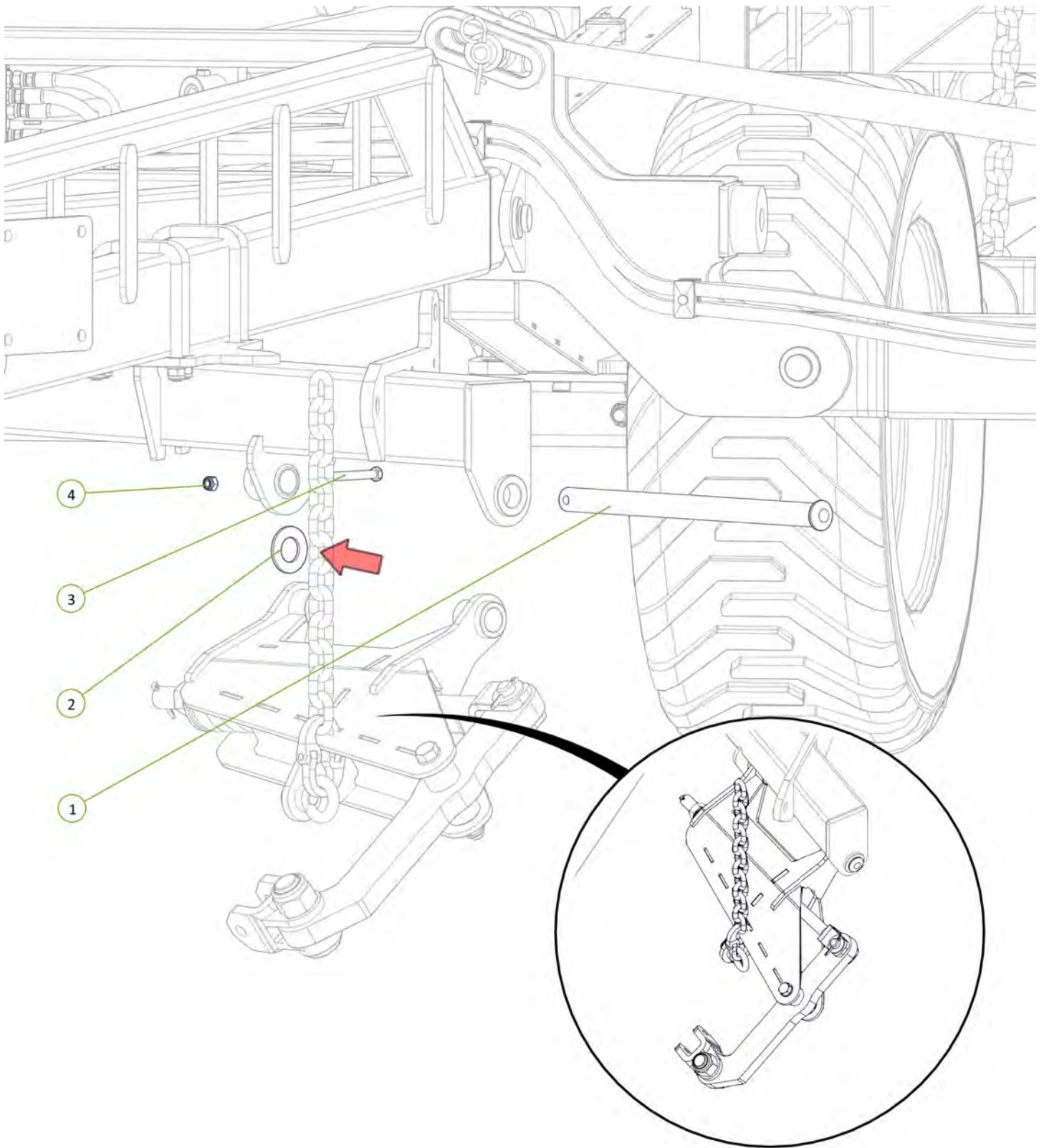
Item No.	Description	Qty	Number
1	Tension Box	1	0810-57
2	Module Tension Rod Assembly	1	0810-105A
3	Rigid Spring Locator	1	0801-10-S2L
4	Washer High Tensile 1 1/4"	1	0232-HT11-4
5	Washer Flat 1"	1	0232-F1
6	Heavy Duty Coil Spring 24mm	1	0801-K2455350
7	Height Adjusting Chain Assembly 13 Link	1	0801-20MCA





Item No.	Description	Qty	Number
1	Module Tension Arm No Clevis	1	0810-104
2	Forged Clevis 21mm Bolt Hole	1	0801-FC21
3	Module Pivot Arm Bush	1	0801-10-110
4	Nyloc Nut M36	1	0221-NYL36
5	M36 x 105 Class 8.8 ZP Bolt	1	0211-36105
6	Wear Bush	1	1501-365033-SS
7	35 ID x 50mm DU Bush	2	0113-MB3550DU
8	M20 x 160 Grade 8.8 ZP Bolt	1	0211-20160
9	Nyloc Nut M20	1	0221-NYL20
10	Washer Flat M20	2	0231-F20

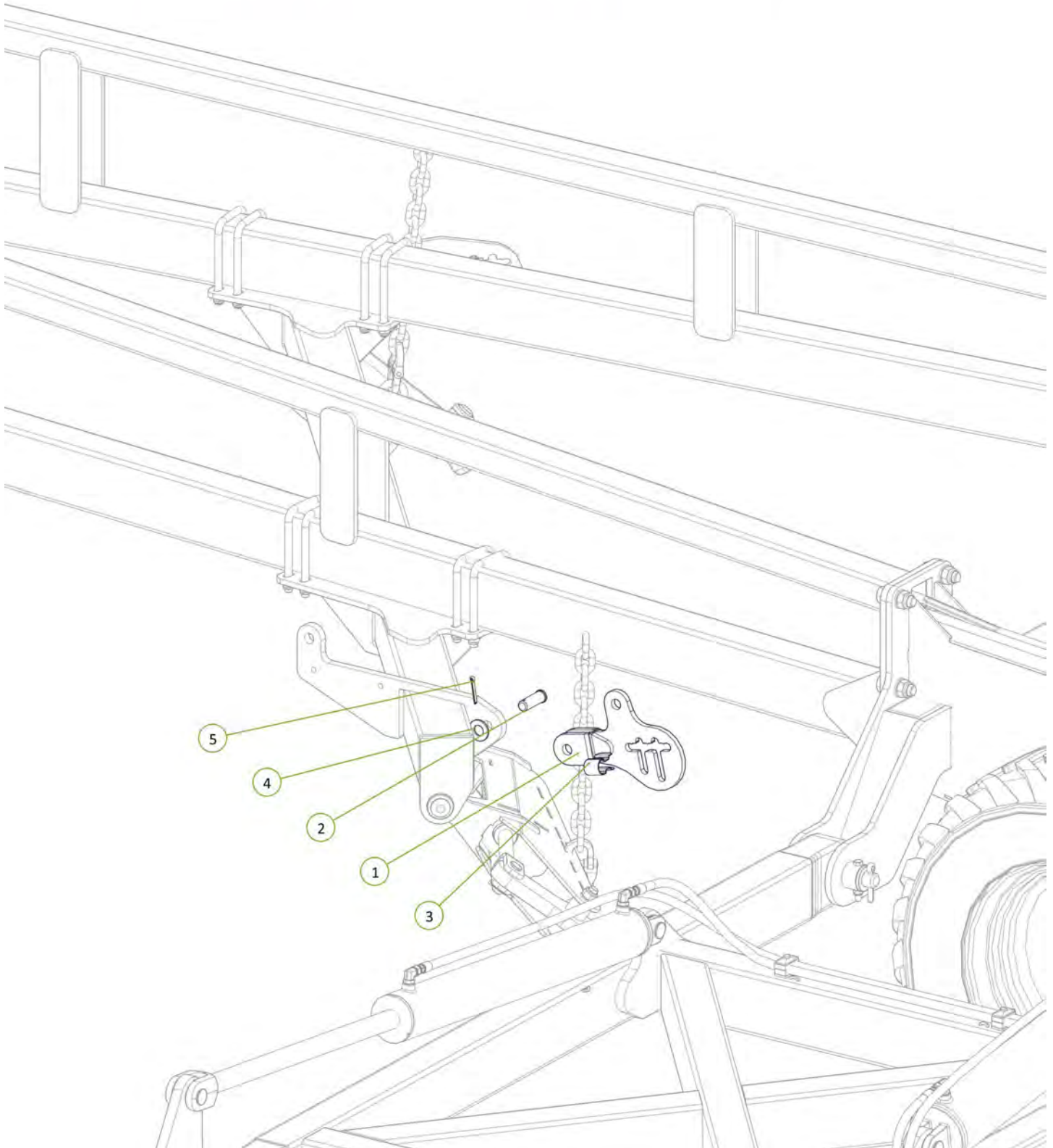




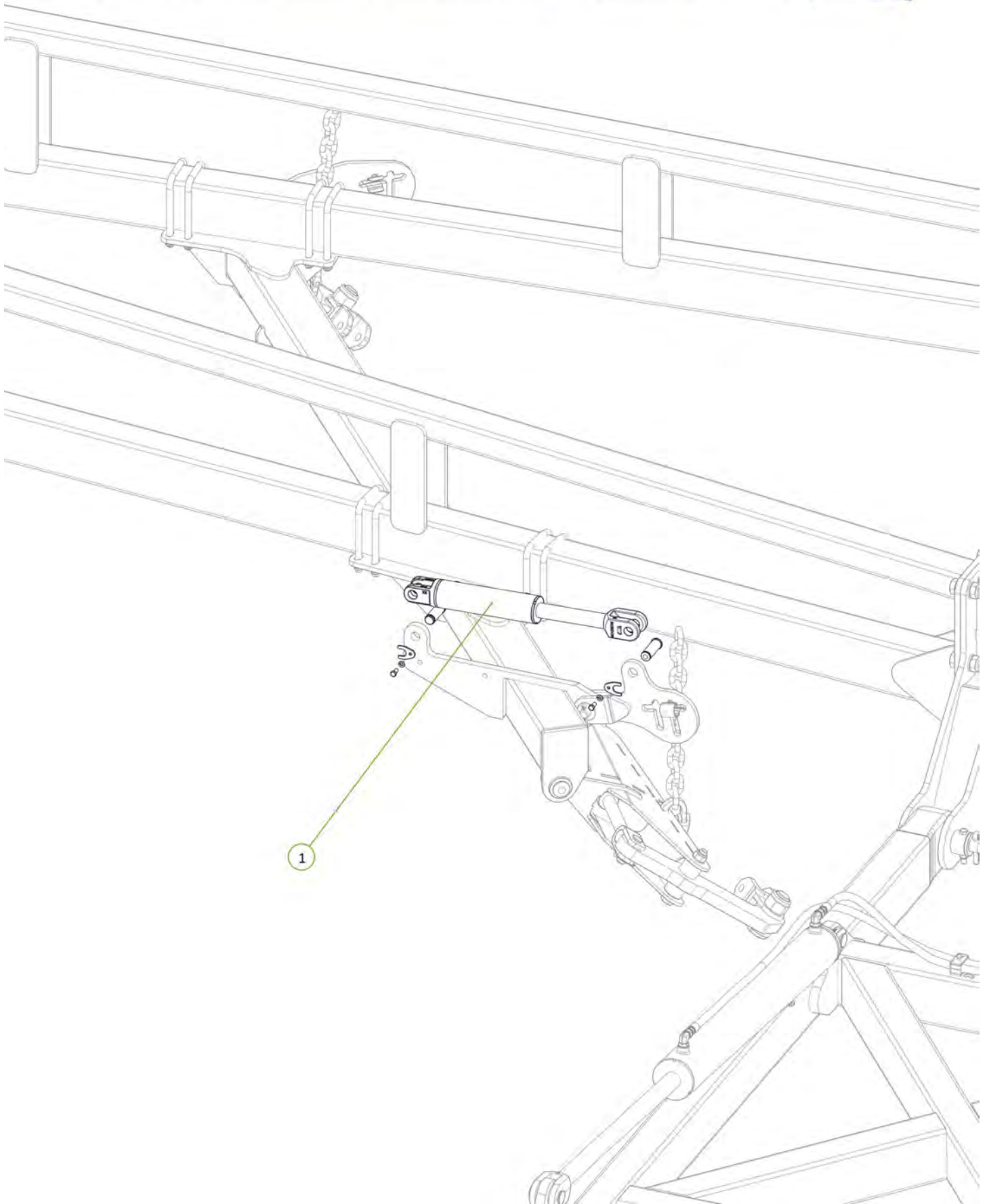
Item No.	Description	Qty	Number
1	Chain Mount Pivot Pin	1	0801-10-51
2	Washer High Tensile 1 3/8"	1	0232-HT13-8
3	M12 x 90 Class 10.9 ZP Bolt	1	0211-1290HT
4	Nyloc Nut M12	1	0221-NYL12



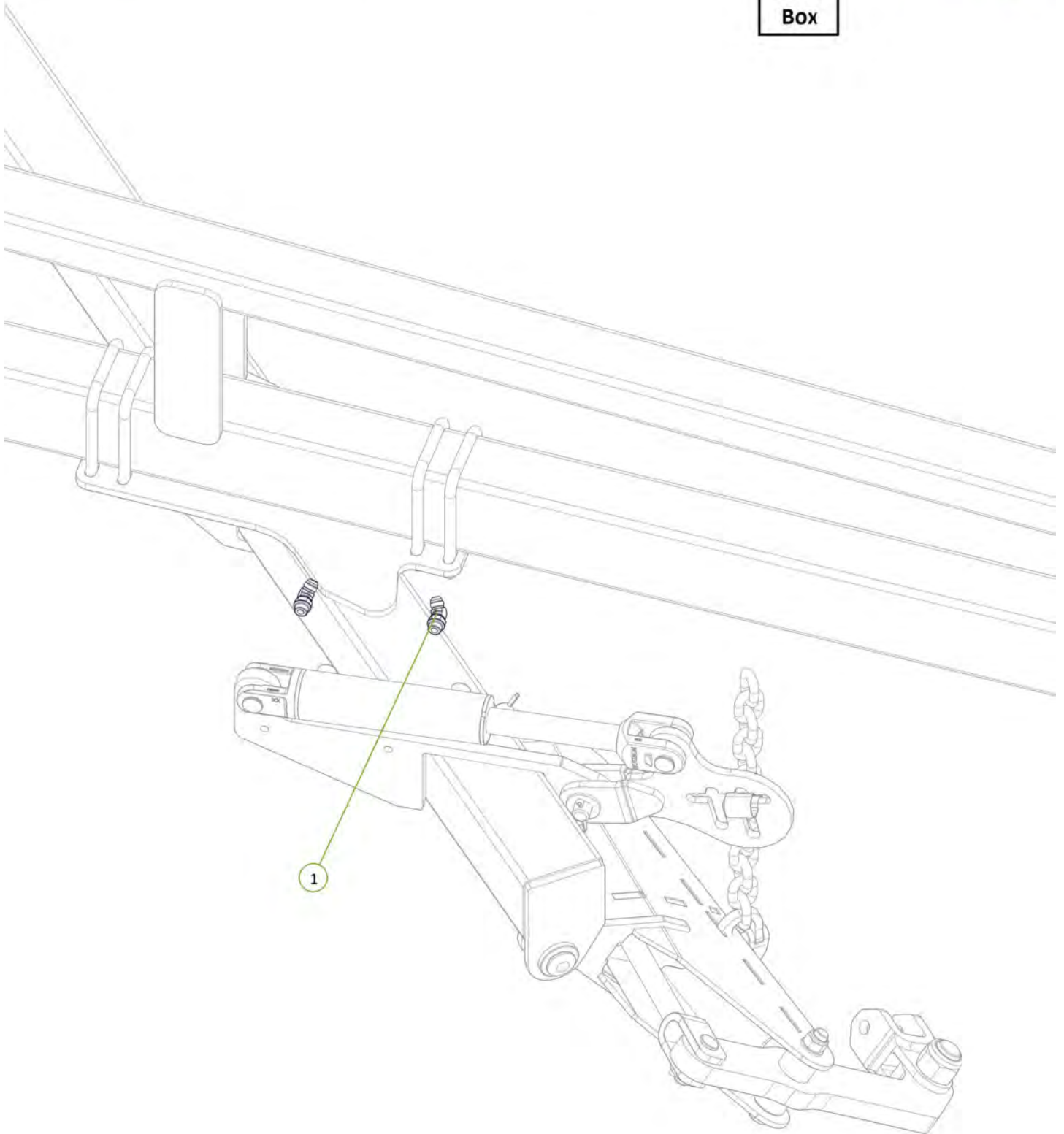
Item No.	Description	Qty	Number
1	Compact Module Lift Arm	1	0810-51
2	Clevis Pin 25mm x 75mm	1	0801-KE0307-1
3	Height Adjustor Retaining Clip	1	0801-KE014
4	Washer Flat 1"	1	0232-F1
5	Cotter Pin M5 x 50	1	0261-PINC550



Item No.	Description	Qty	Number
1	2.5" Bore x 6" Stroke 1.5" Rod Side Port Cylinder	1	0311-256SP

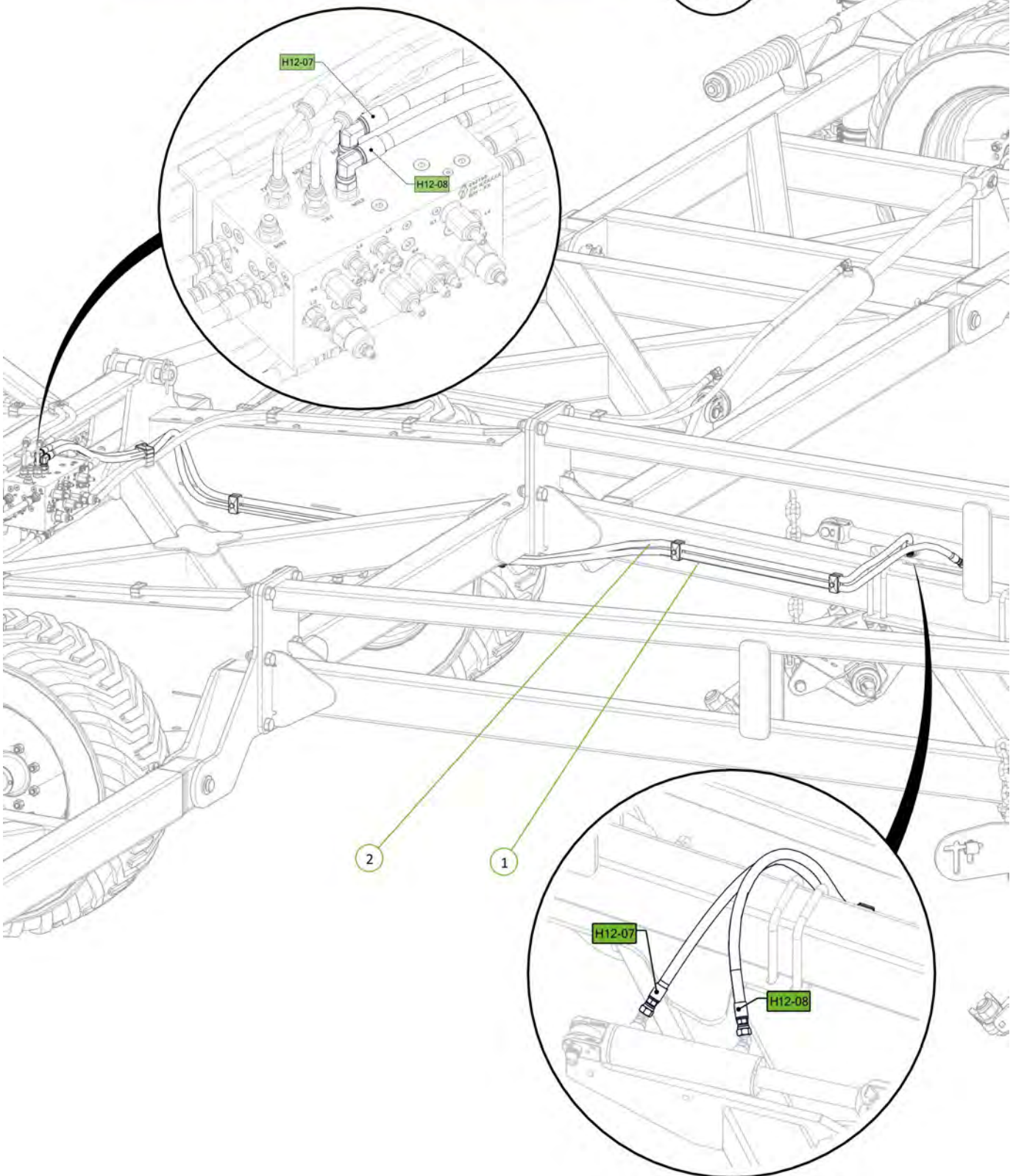


Item No.	Description	Qty	Number
1	3/4" JIC Male 3/4" UN O Ring Male 45° Elbow	2	0323-S88-1212

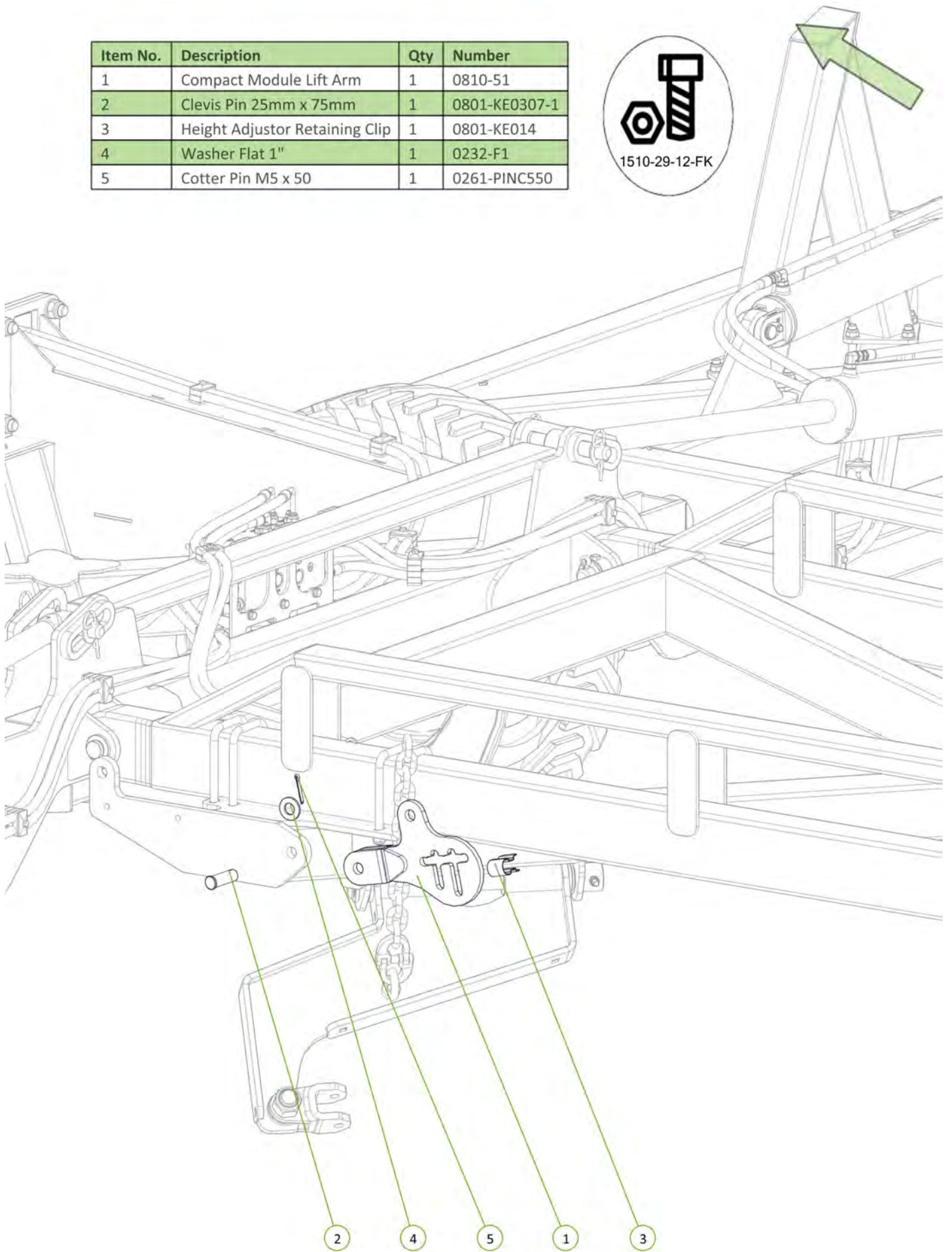




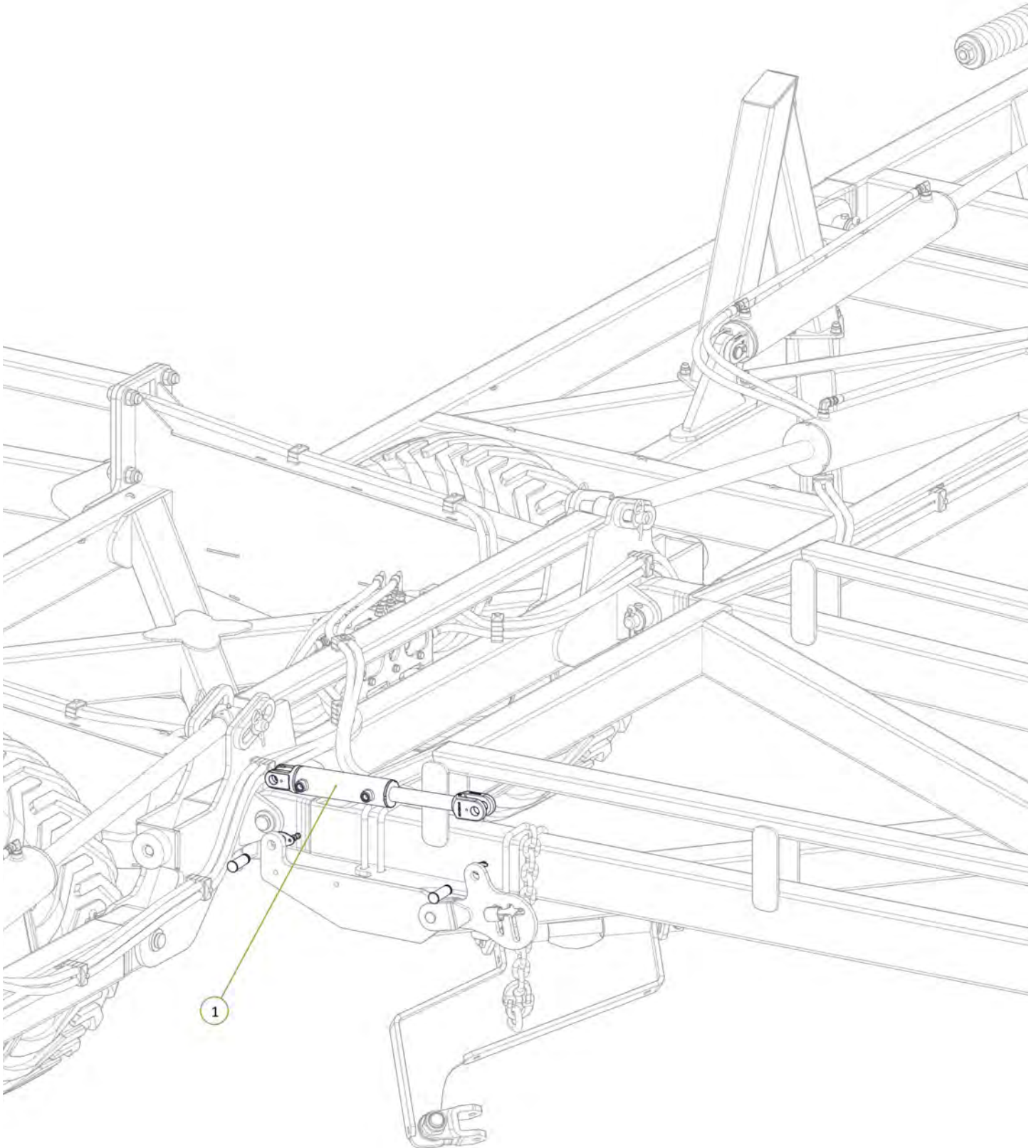
Item No.	Description	Qty	Number
1	ME3 to Front Cylinder Extend Port	1	H12-07
2	MR3 to Front Module Retract Port	1	H12-08

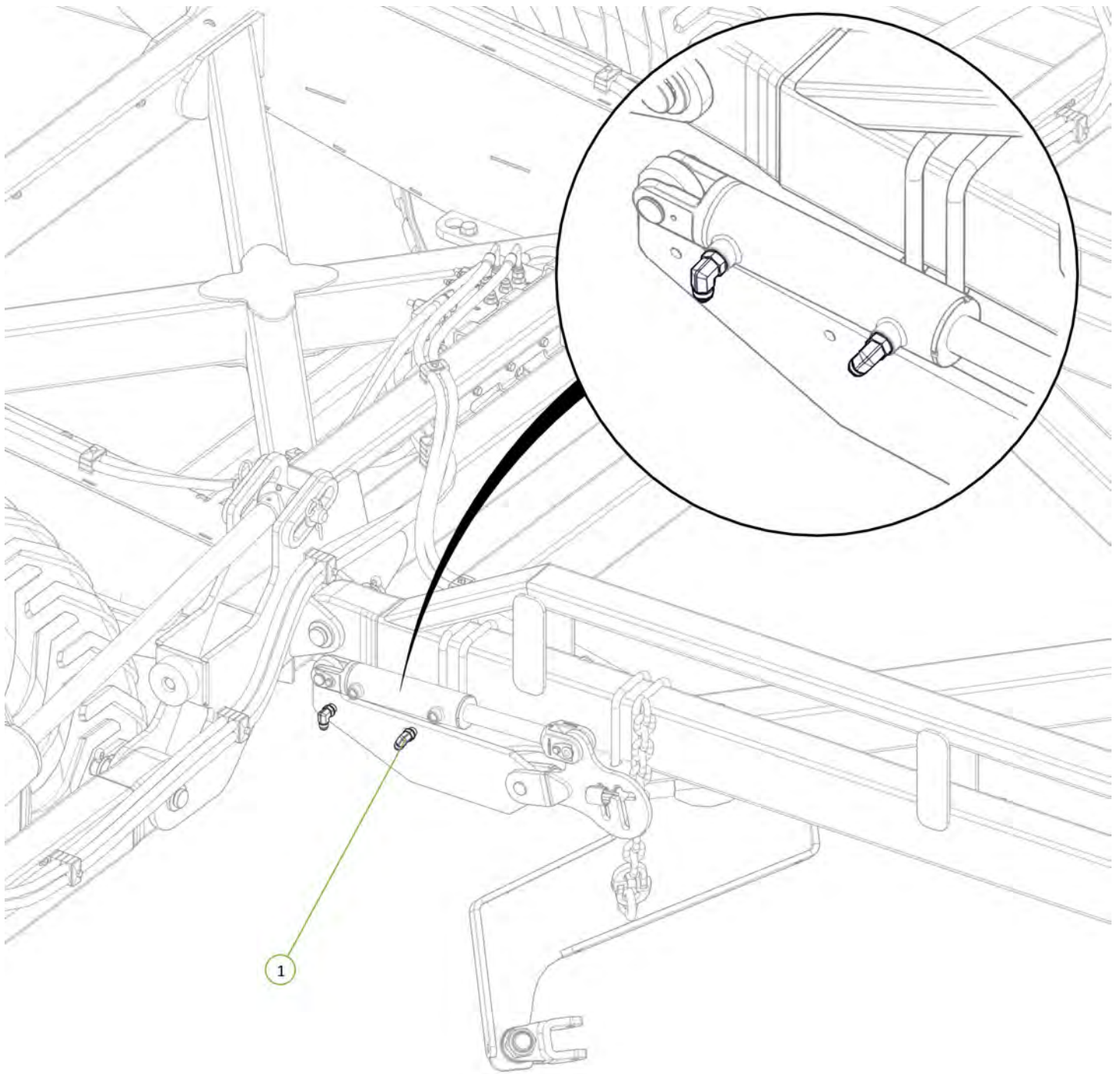


Item No.	Description	Qty	Number
1	Compact Module Lift Arm	1	0810-51
2	Clevis Pin 25mm x 75mm	1	0801-KE0307-1
3	Height Adjustor Retaining Clip	1	0801-KE014
4	Washer Flat 1"	1	0232-F1
5	Cotter Pin M5 x 50	1	0261-PINC550



Item No.	Description	Qty	Number
1	2.5" Bore x 6" Stroke 1.5" Rod Side Port Cylinder	1	0311-256SP

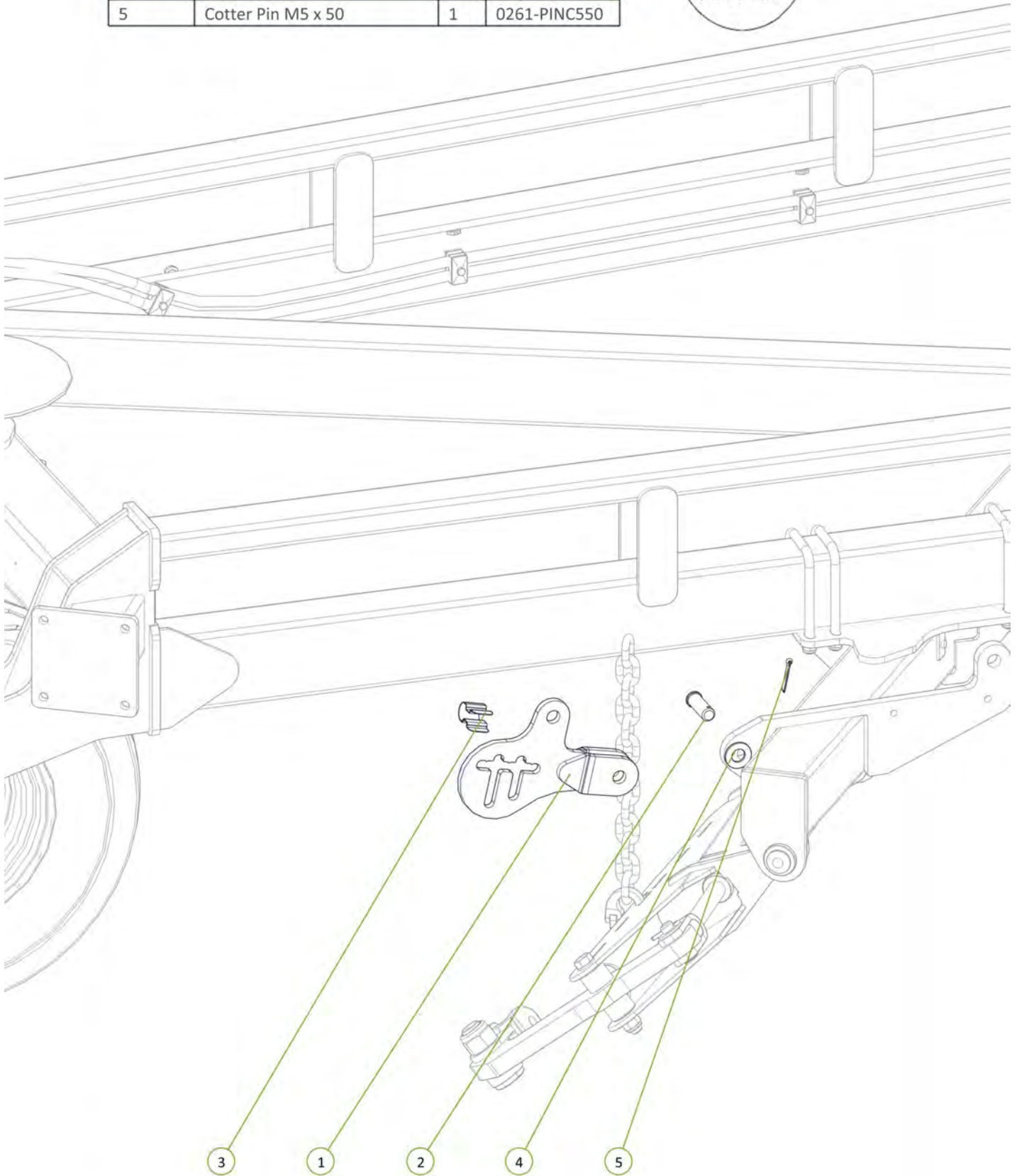




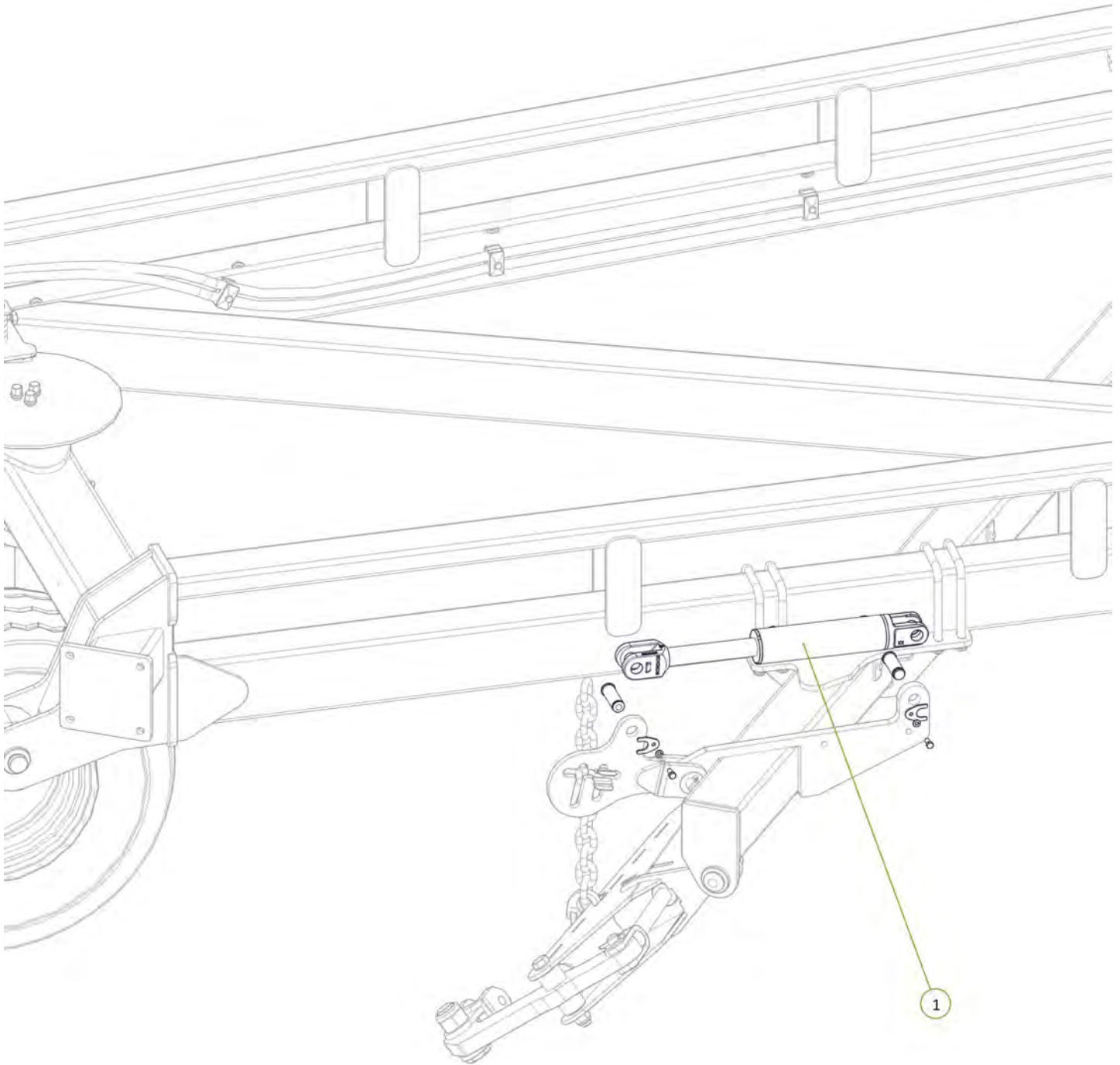
Item No.	Description	Qty	Number
1	3/4" JIC Male 3/4" UN O Ring Male 90° Elbow	2	0323-S91-1212



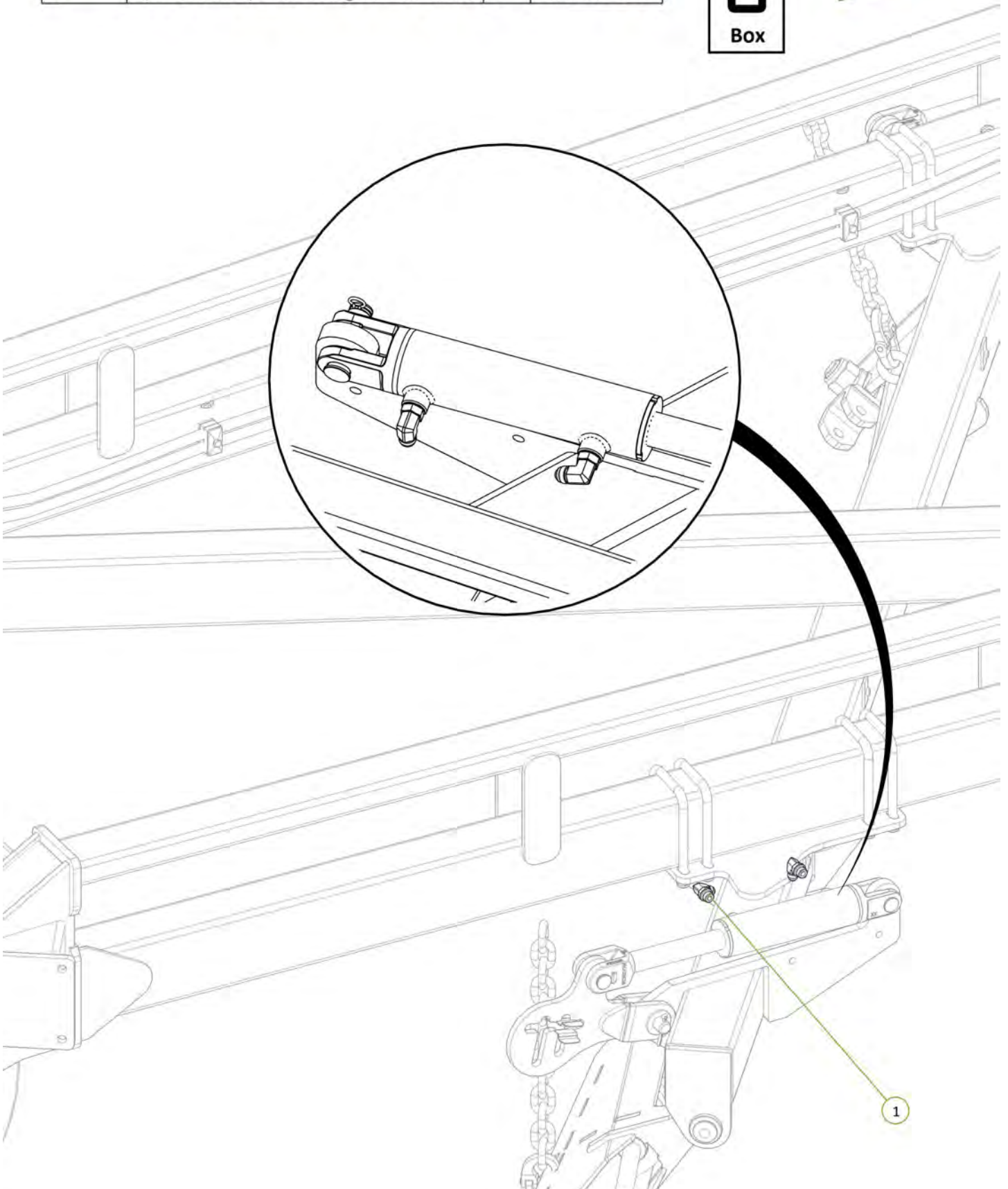
Item No.	Description	Qty	Number
1	Compact Module Lift Arm	1	0810-51
2	Clevis Pin 25mm x 75mm	1	0801-KE0307-1
3	Height Adjustor Retaining Clip	1	0801-KE014
4	Washer Flat 1"	1	0232-F1
5	Cotter Pin M5 x 50	1	0261-PINC550



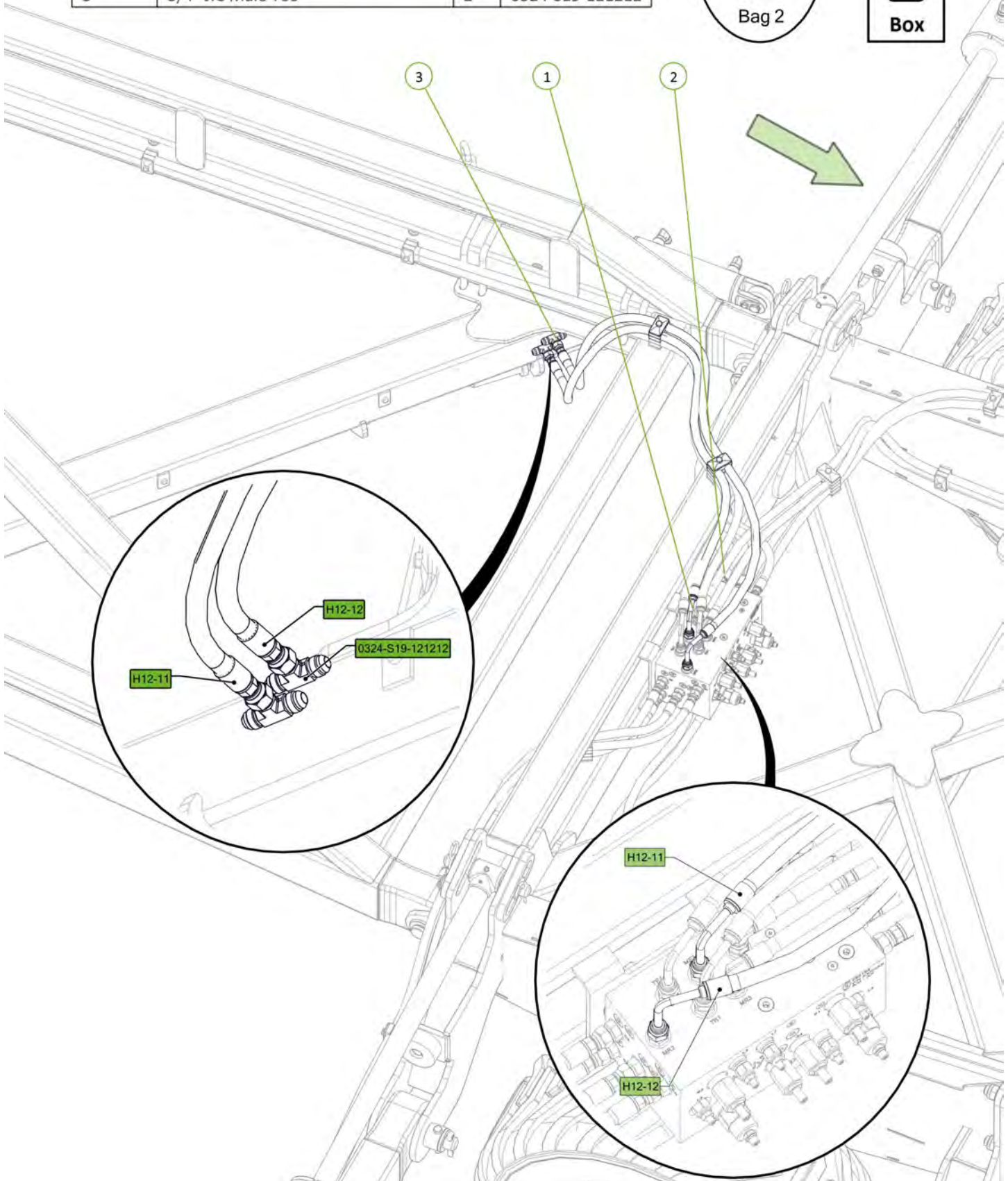
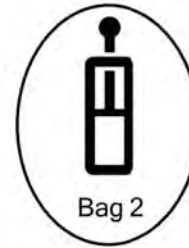
Item No.	Description	Qty	Number
1	2.5" Bore x 6" Stroke 1.5" Rod Side Port Cylinder	1	0311-256SP



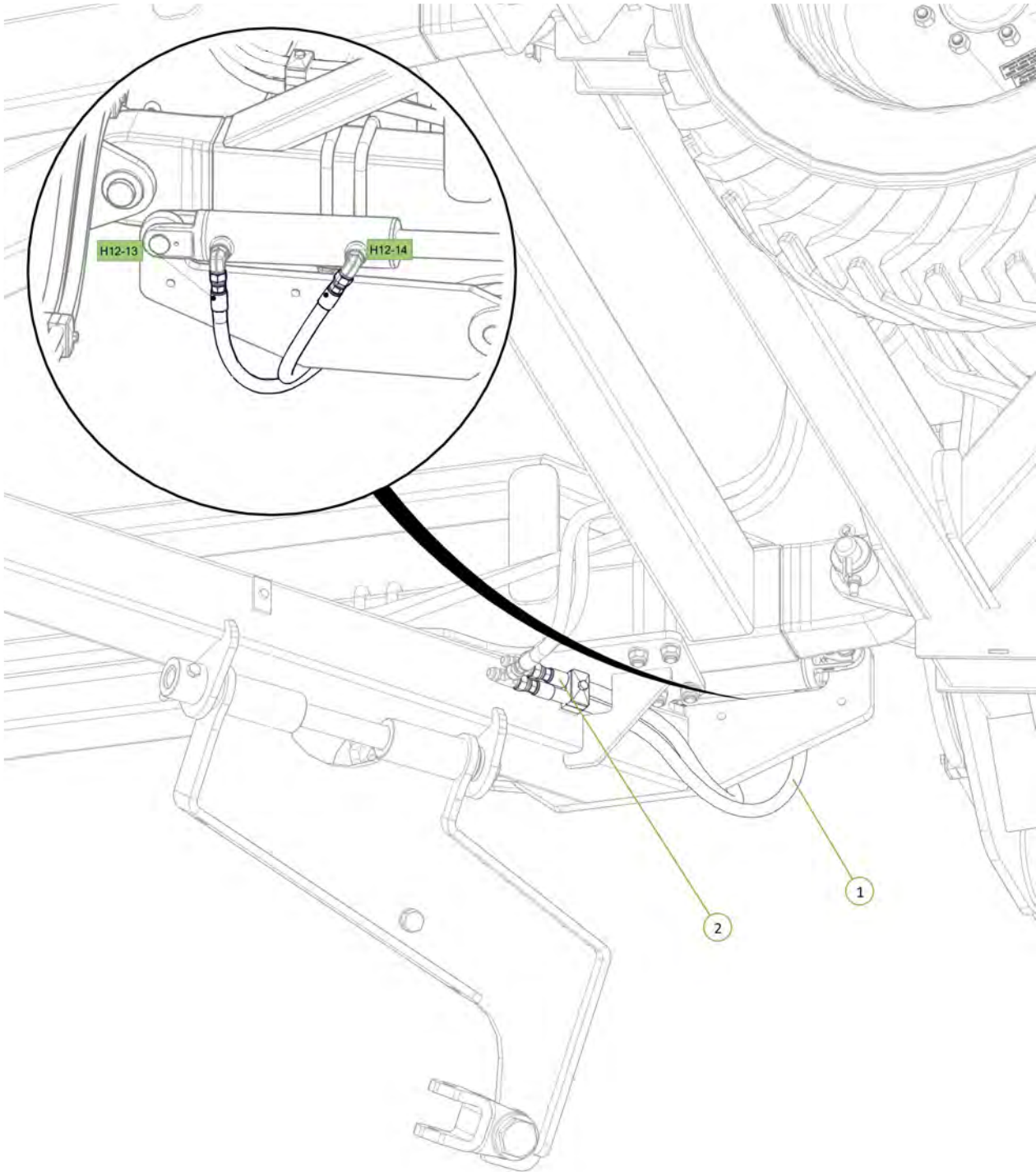
Item No.	Description	Qty	Number
1	3/4" JIC Male 3/4" UN O Ring Male 90° Elbow	2	0323-S91-1212



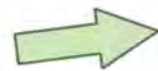
Item No.	Description	Qty	Number
1	ME2 Port to Rear Module Extend Tee	1	H12-11
2	MR2 Port to Rear Module Retract Tee	1	H12-12
3	3/4" JIC Male Tee	2	0324-S19-121212



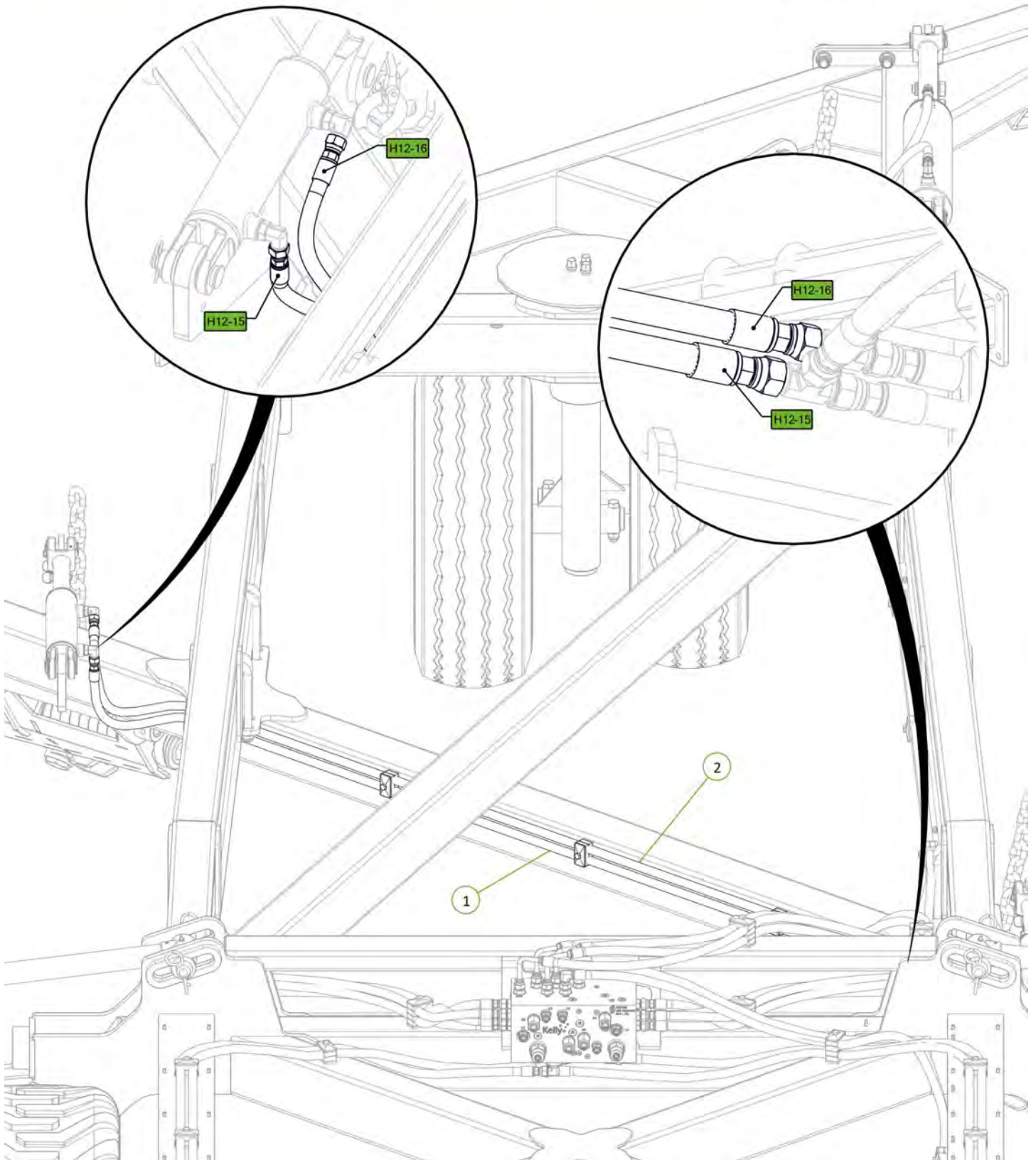




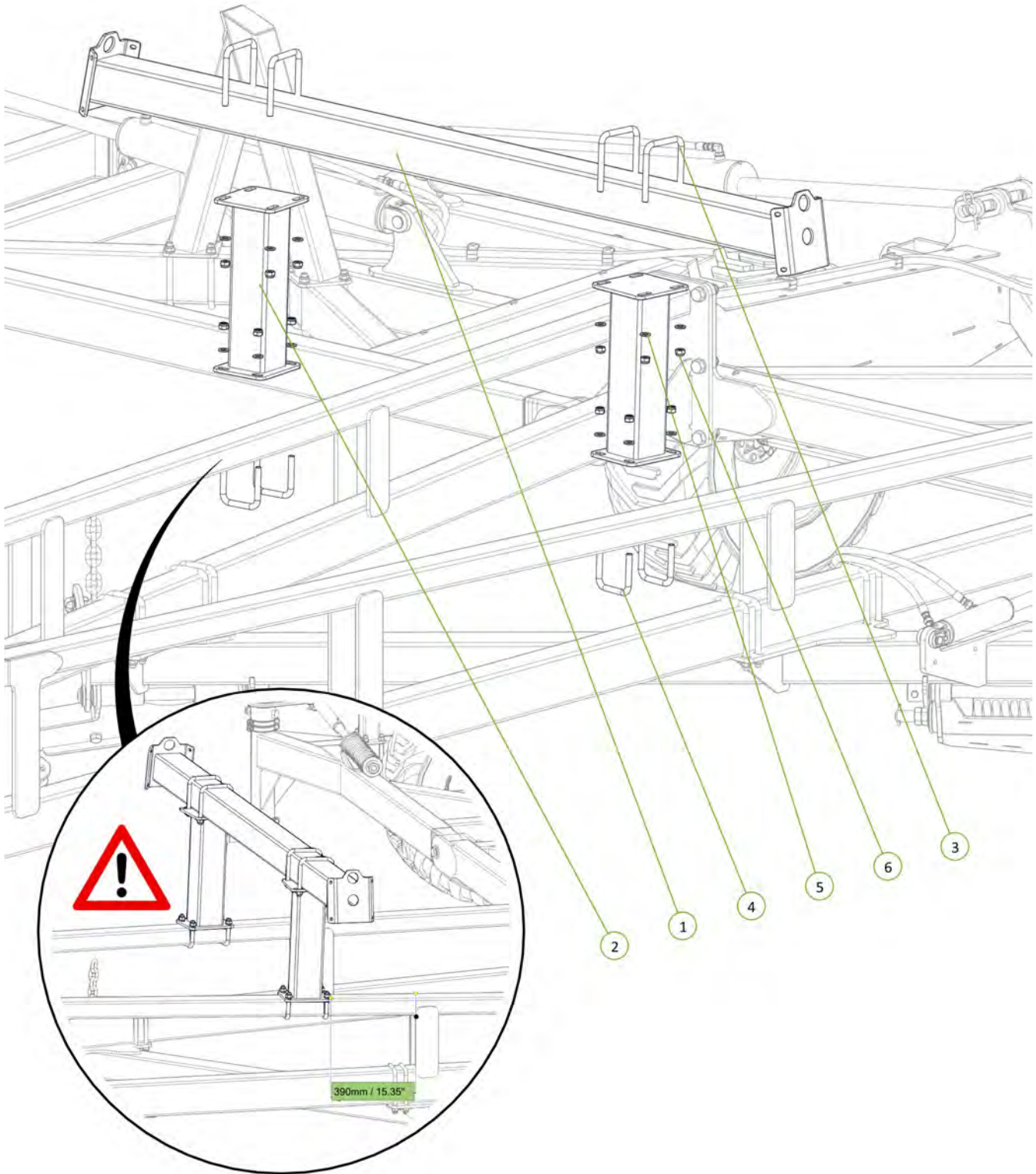
Item No.	Description	Qty	Number
1	Rear Module Extend Tee to LH Rear Module Cyl Extend Port	1	H12-13
2	Rear Module Retract Tee to LH Rear Module Cyl Retract Port	1	H12-14



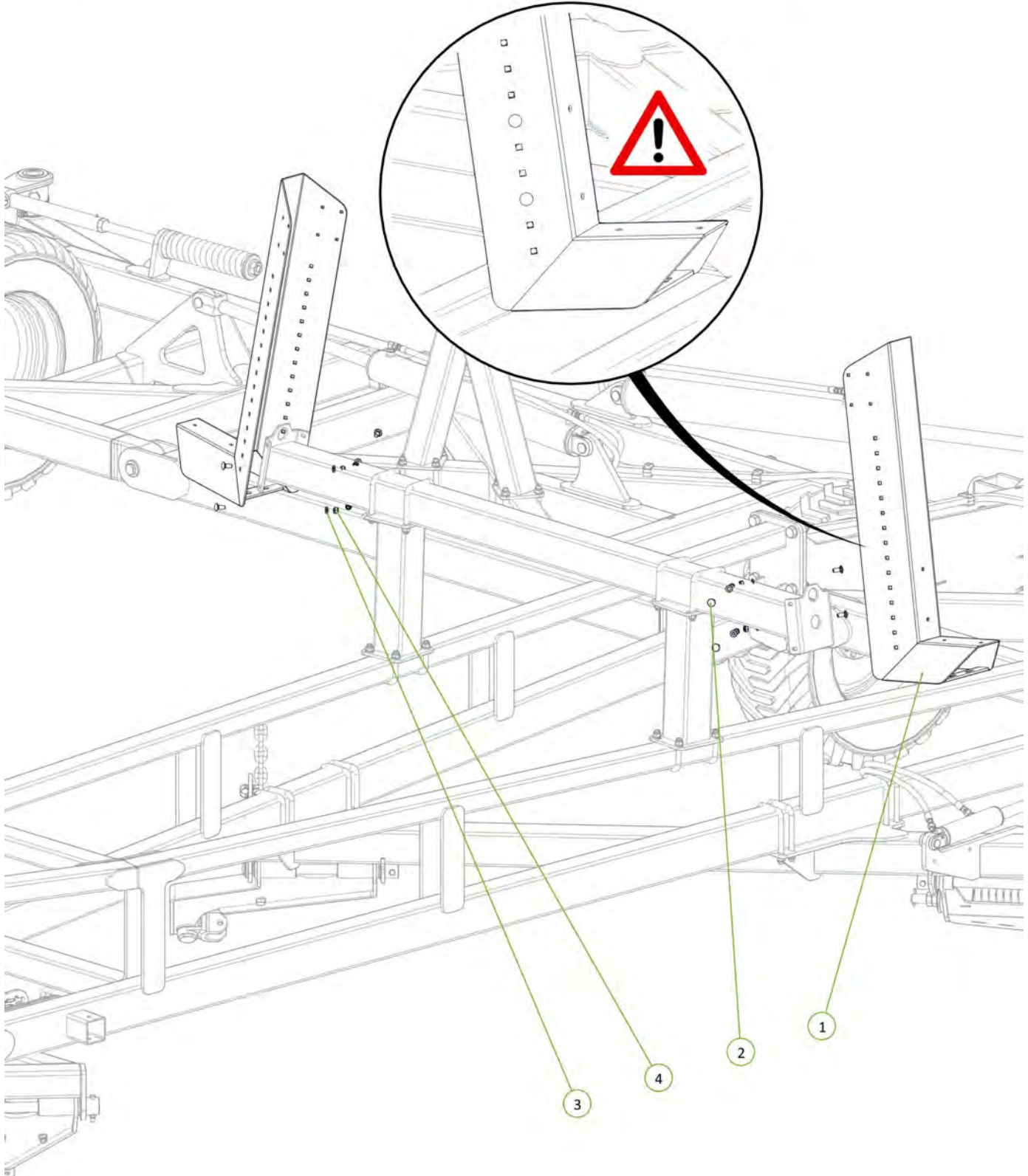
Item No.	Description	Qty	Number
1	Rear Module Extend Tee to RH Rear Module Cyl Extend Port	1	H12-15
2	Rear Module Retract Tee to RH Rear Module Cyl Retract Port	1	H12-16



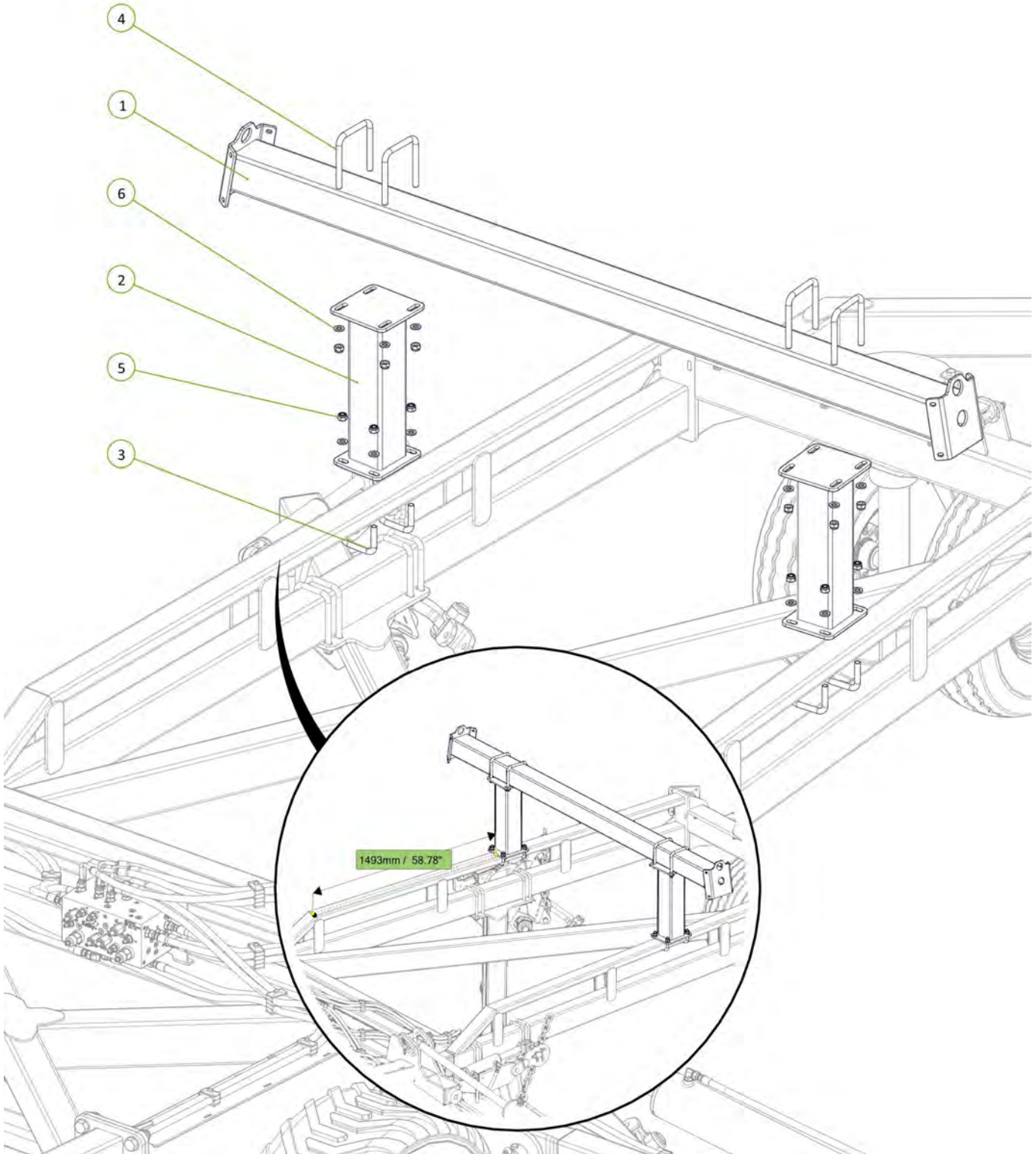
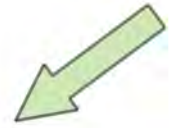
Item No.	Description	Qty	Number
1	Angled Chain Carrier Beam	1	0810-66
2	500mm Pedestal	2	0810-52
3	U-Bolt M16 x 162 Deep x 129 Wide	4	0271-16162129U
4	U-Bolt M16 x 114 Deep x 106 Wide	4	0271-16114106U
5	Washer Flat M16	16	0231-F16
6	Nyloc Nut M16	16	0221-NYL16



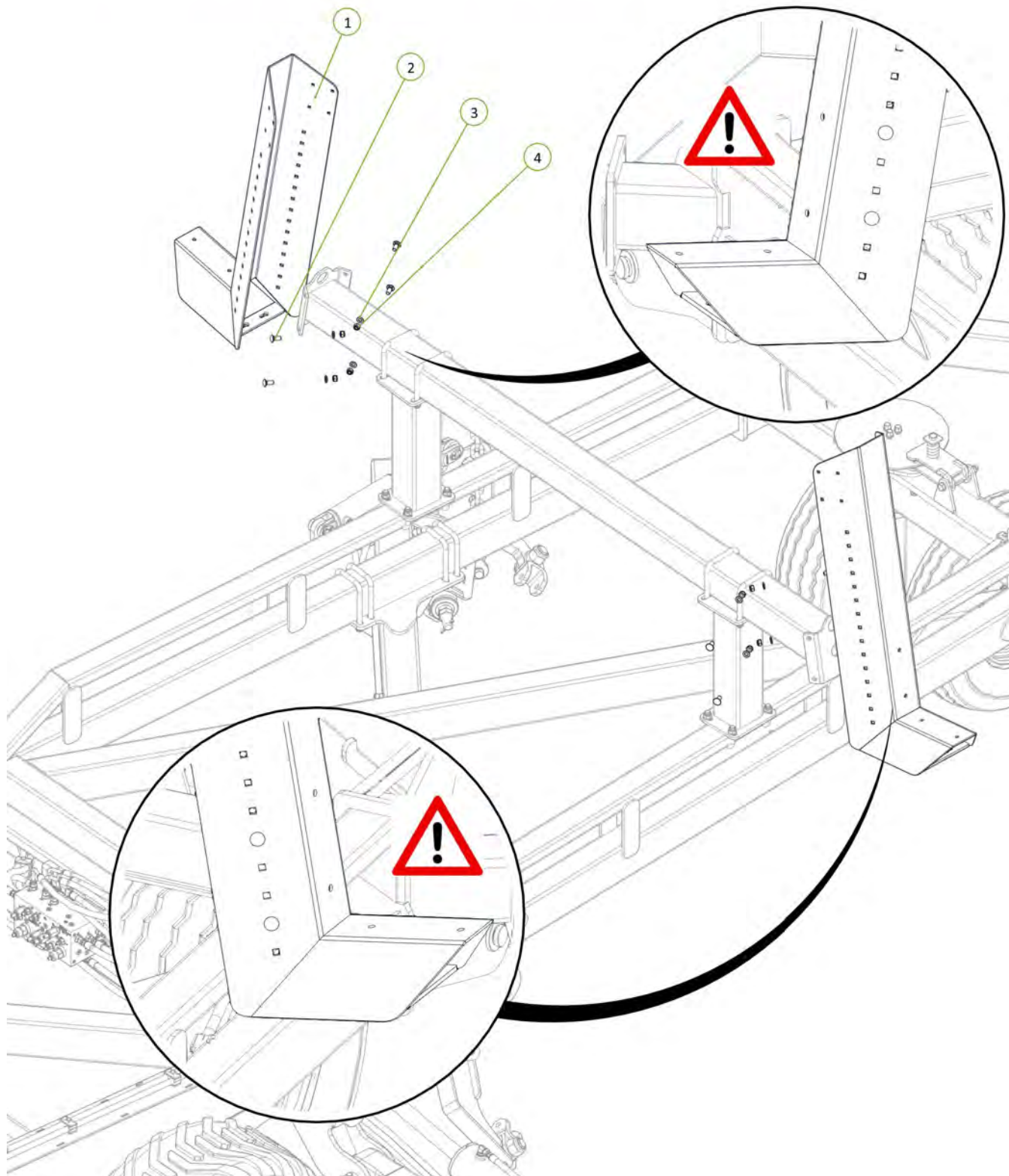
Item No.	Description	Qty	Number
1	Extended Chain Carrier Bolt on End	2	0810-17LE
2	M12 x 30 Coach Head Bolt	8	0215-CH1230
3	Washer Flat M12	8	0231-F12
4	Nyloc Nut M12	8	0221-NYL12

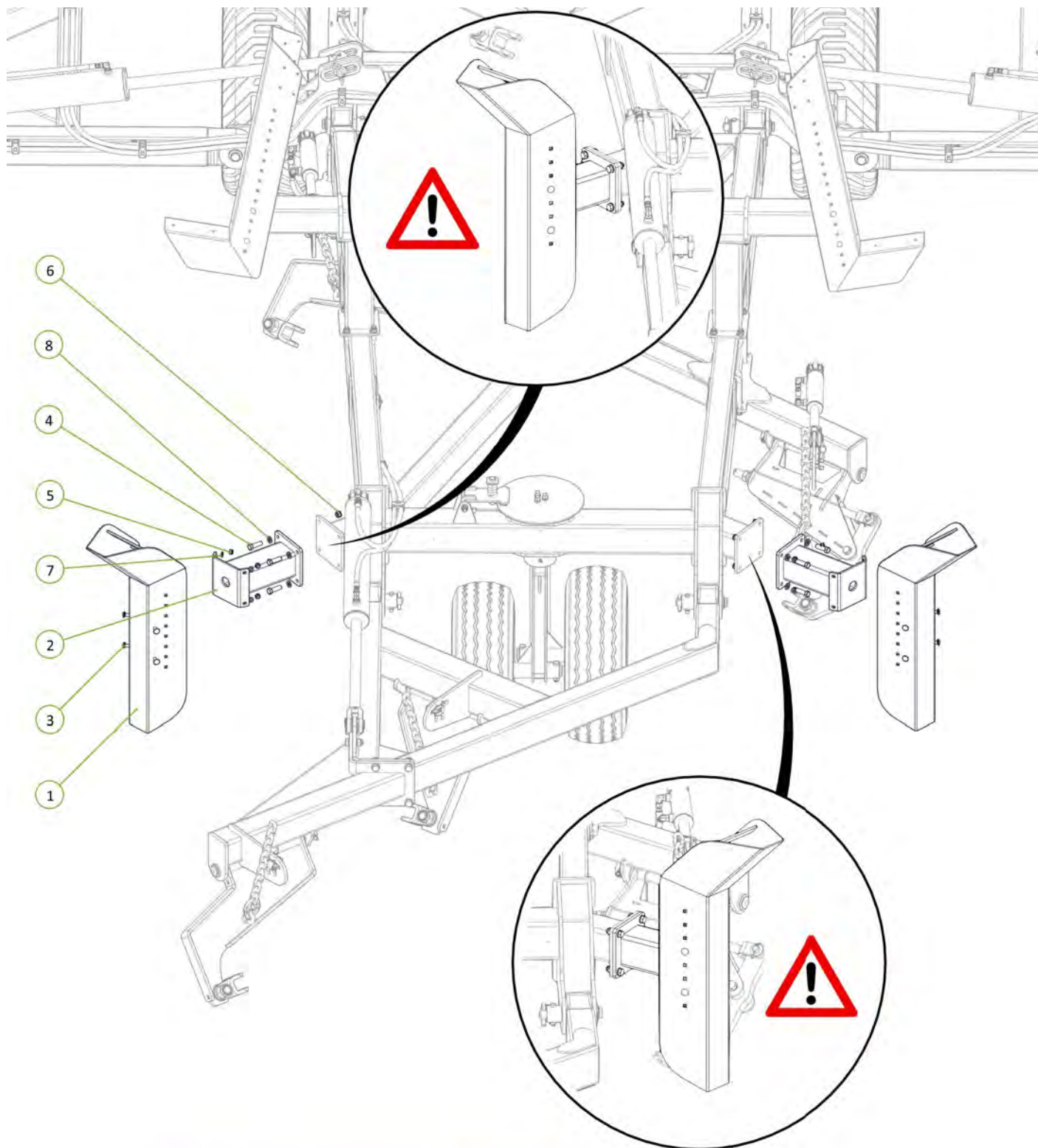


Item No.	Description	Qty	Number
1	Angled Chain Carrier Beam	1	0810-66
2	500mm Pedestal	2	0810-52
3	U-Bolt M16 x 104 Wide x 85 Deep	4	0271-1610686U
4	U-Bolt M16 x 162 Deep x 129 Wide	4	0271-16162129U
5	Nyloc Nut M16	16	0221-NYL16
6	Washer Flat M16	16	0231-F16



Item No.	Description	Qty	Number
1	Extended Chain Carrier Bolt on End	2	0810-17LE
2	M12 x 30 Coach Head Bolt	8	0215-CH1230
3	Washer Flat M12	8	0231-F12
4	Nyloc Nut M12	8	0221-NYL12

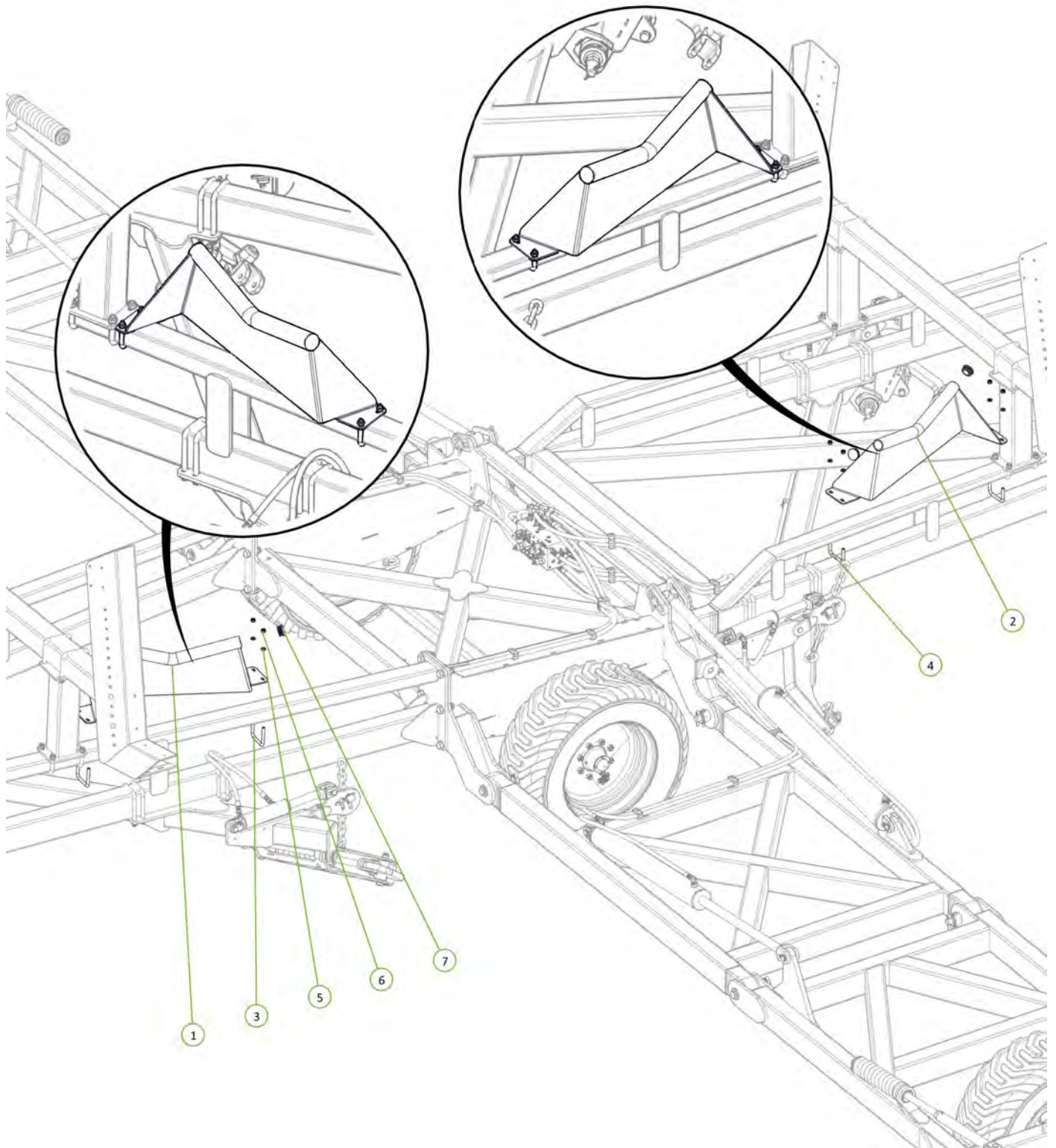




Item No.	Description	Qty	Number
1	Chain Catcher	2	0810-67
2	Outrigger	2	0810-236
3	M12 x 30 Coach Head Bolt	8	0215-CH1230
4	M16 x 55 Class 8.8 ZP Bolt	8	0211-1655
5	Nyloc Nut M12	8	0221-NYL12
6	Nyloc Nut M16	8	0221-NYL16
7	Washer Flat M12	8	0231-F12
8	Washer Flat M16	16	0231-F16



Item No.	Description	Qty	Number
1	Left Hand Off Set M	1	0810-19L
2	Right Hand Off Set M	1	0810-18R
3	U-Bolt M12 x 107 Deep x 106 Wide	2	0271-12107106U
4	U-Bolt M12 x 106 Deep x 79 Wide	2	0271-1210679U
5	Washer Flat M12	8	0231-F12
6	Nyloc Nut M12	8	0221-NYL12
7	Round Tube Insert 60.3 x 3.2-5mm	4	0264-RTRi-5584

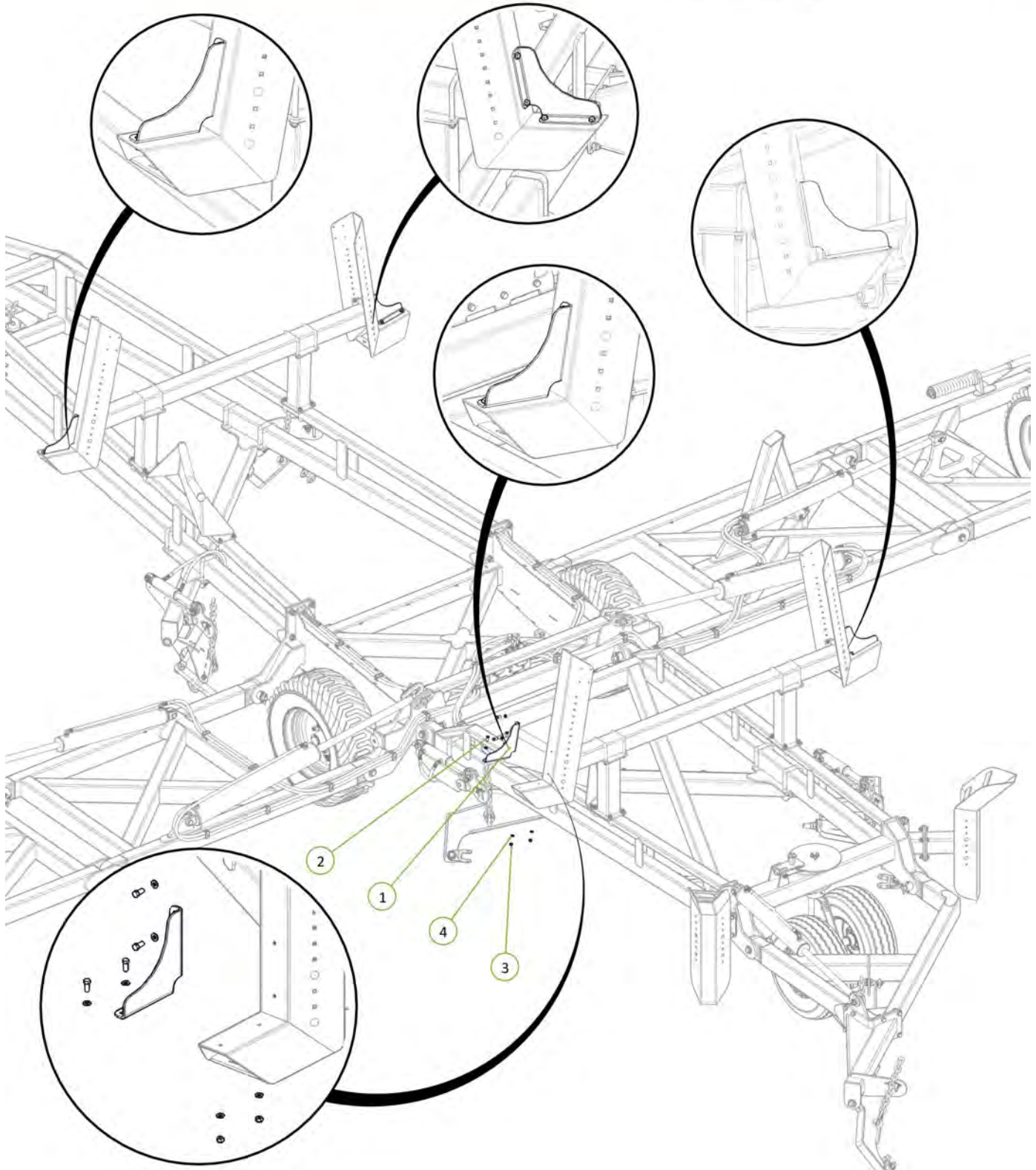




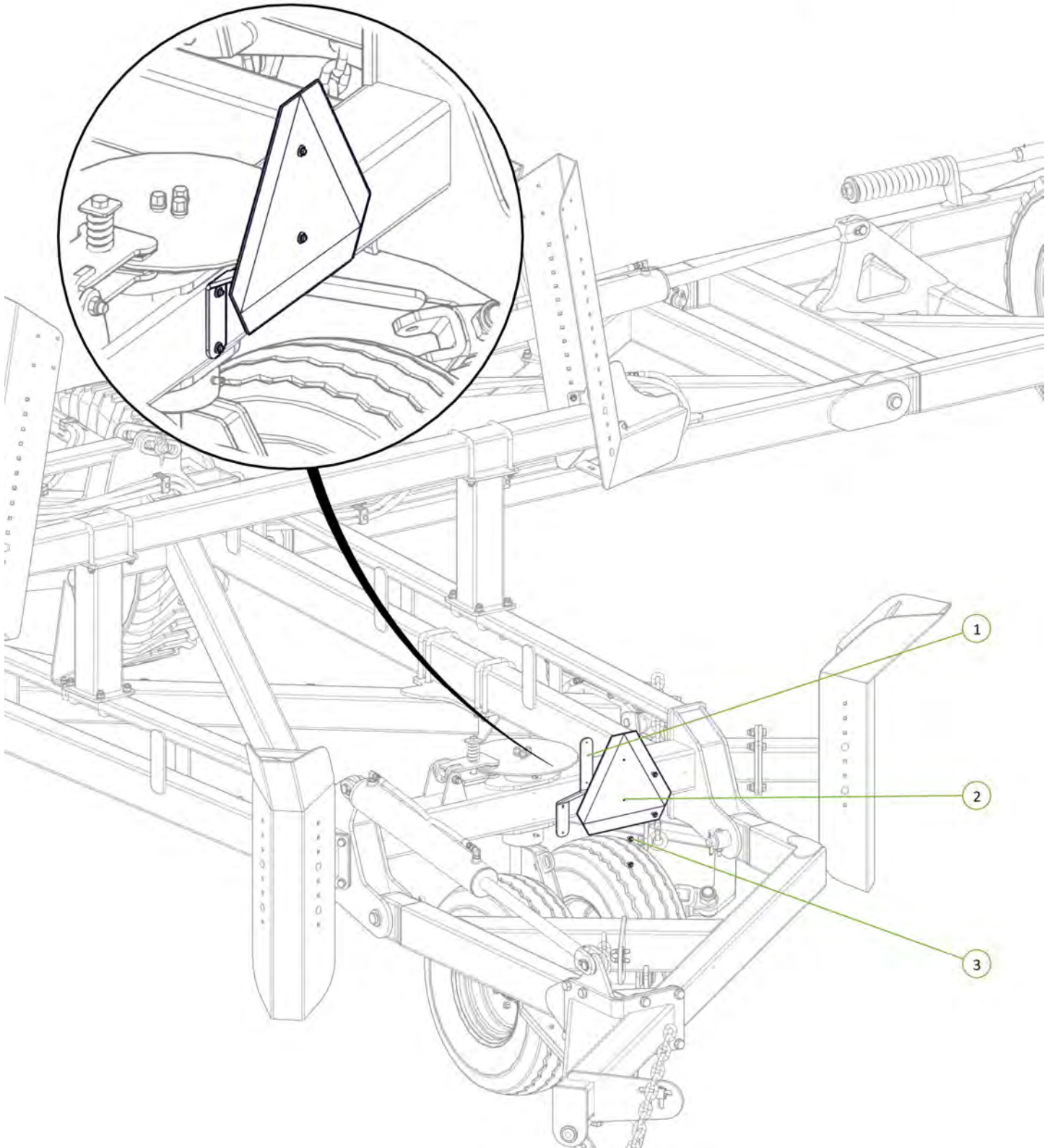
Item No.	Description	Qty	Number
1	Chain Retainer Plate	4	0800-360
2	M12 x 30 grade 8.8 ZP Bolt	16	0211-1230
3	Nyloc Nut M12	16	0221-NYL12
4	Washer Flat M12	32	0231-F12

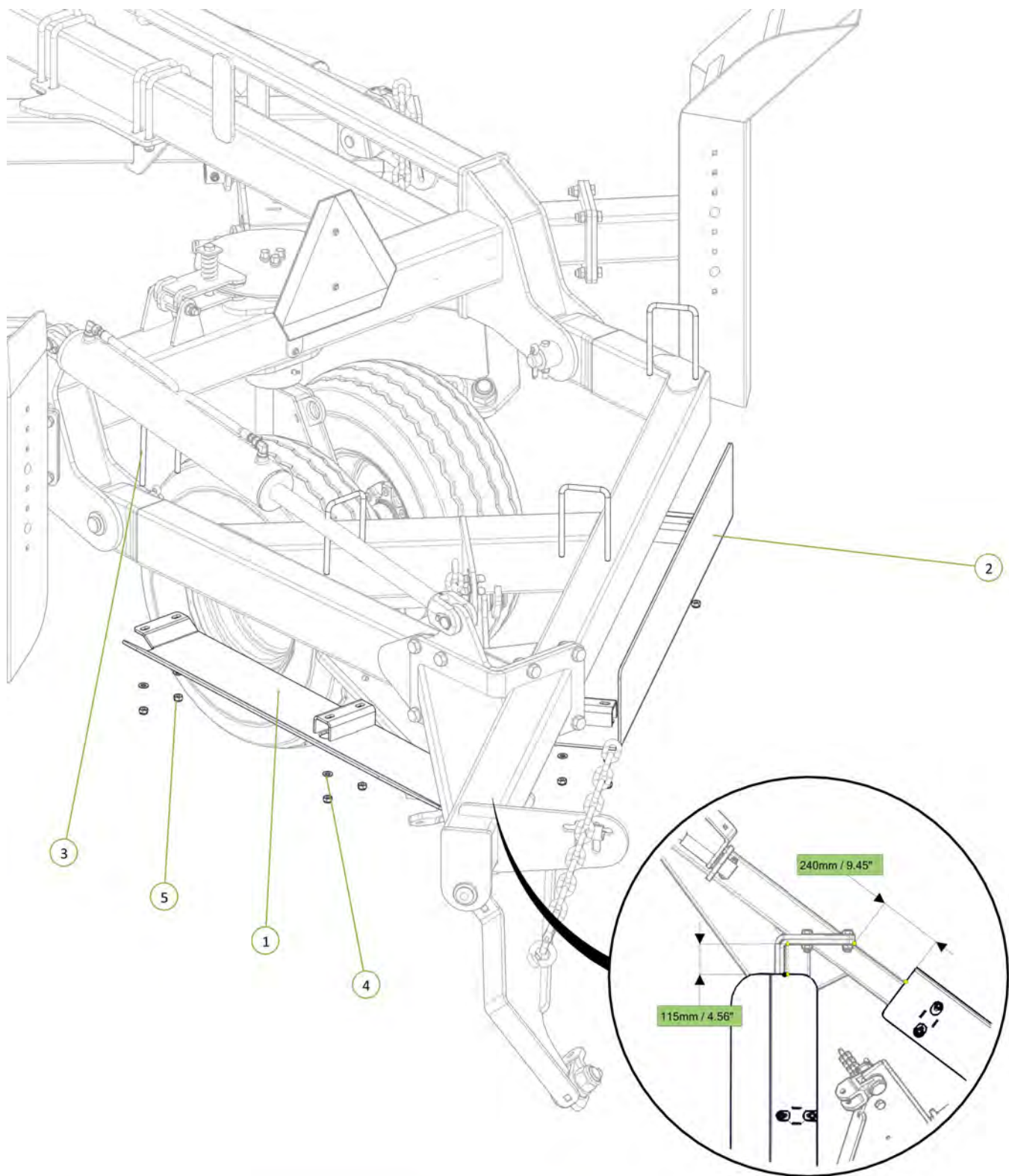


1502-FK-1540-02A-USA  
/ 1502-FK-1540-03A-2-USA

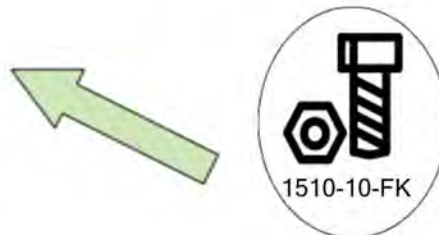


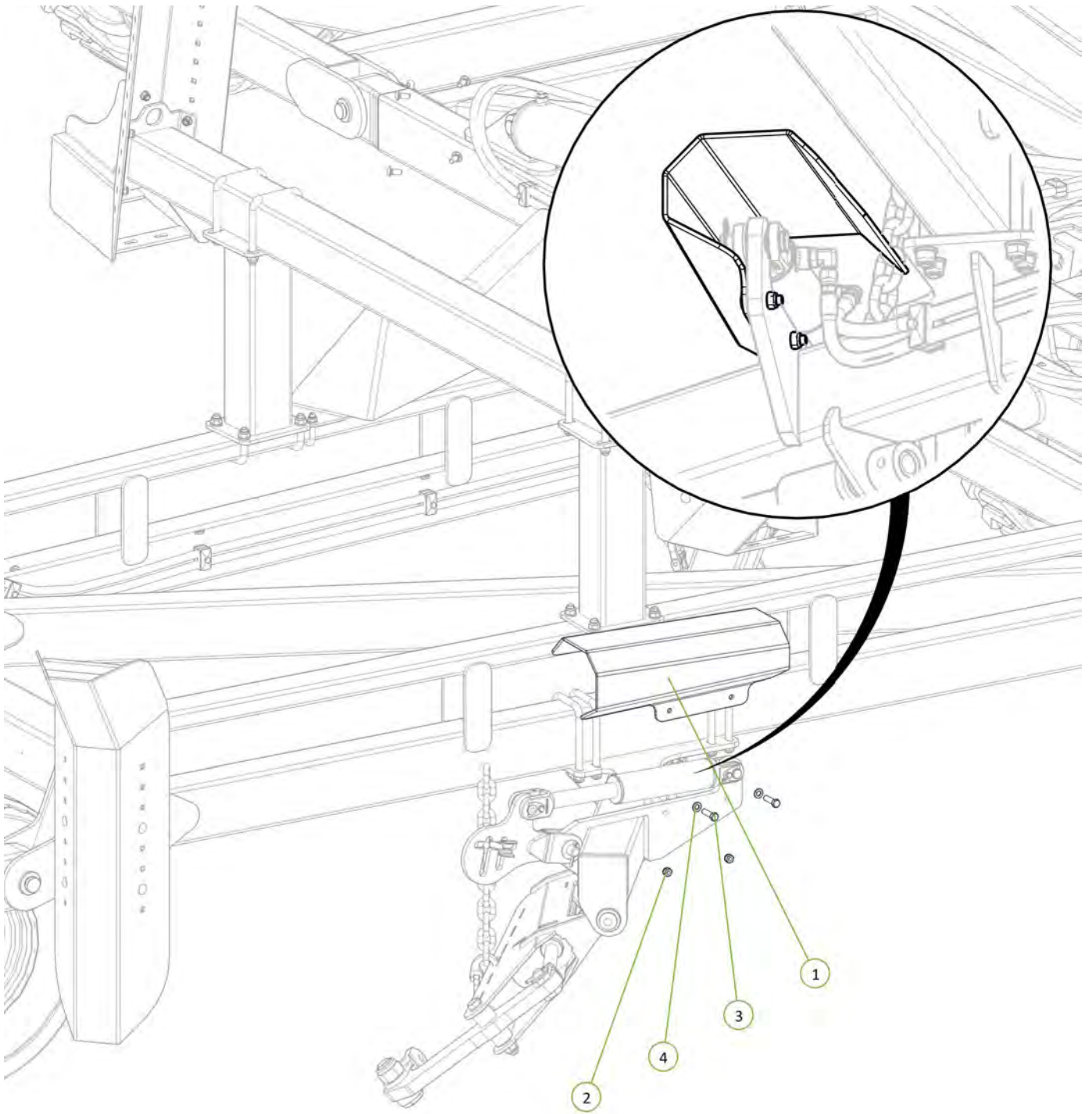
Item No.	Description	Qty	Number
1	SMV Sign Bracket	1	0800-195.1
2	Slow Moving Vehical Sign	1	0801-FBSMVTUF
3	M6 x 20 Trilobe self tapping Scew	4	0211-M620MZPHTF



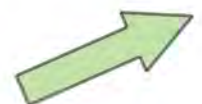


Item No.	Description	Qty	Number
1	Rear Guard 40'	1	1510-229
2	Rear Tail Guard	1	1610-188
3	U-Bolt M12 x 185 Deep x 104 Wide	4	0271-1218
4	Washer Flat M12	8	0231-F12
5	Nyloc Nut M12	8	0221-NYL12

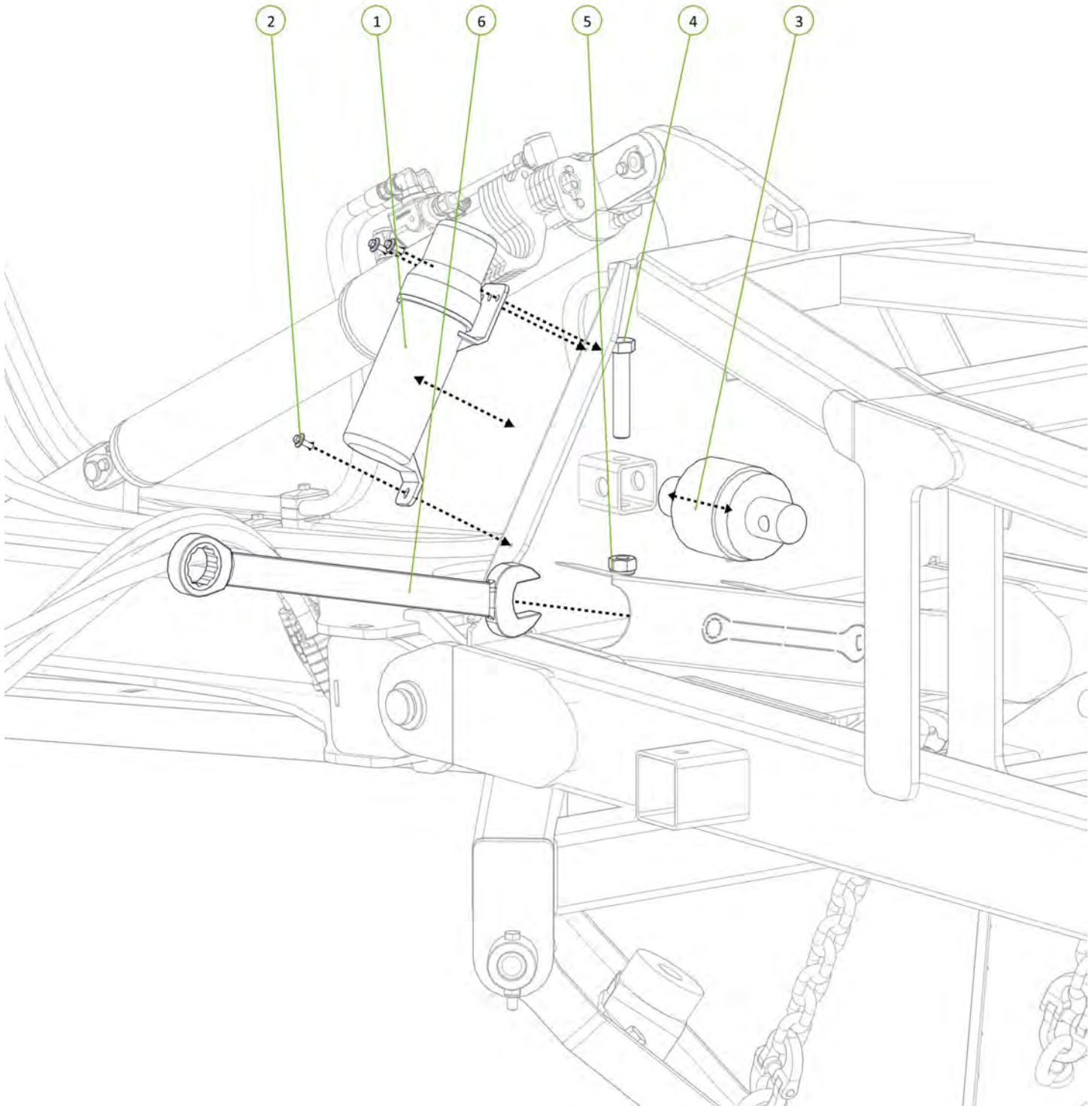
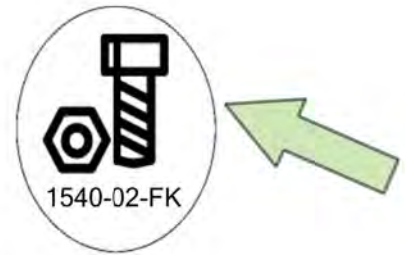




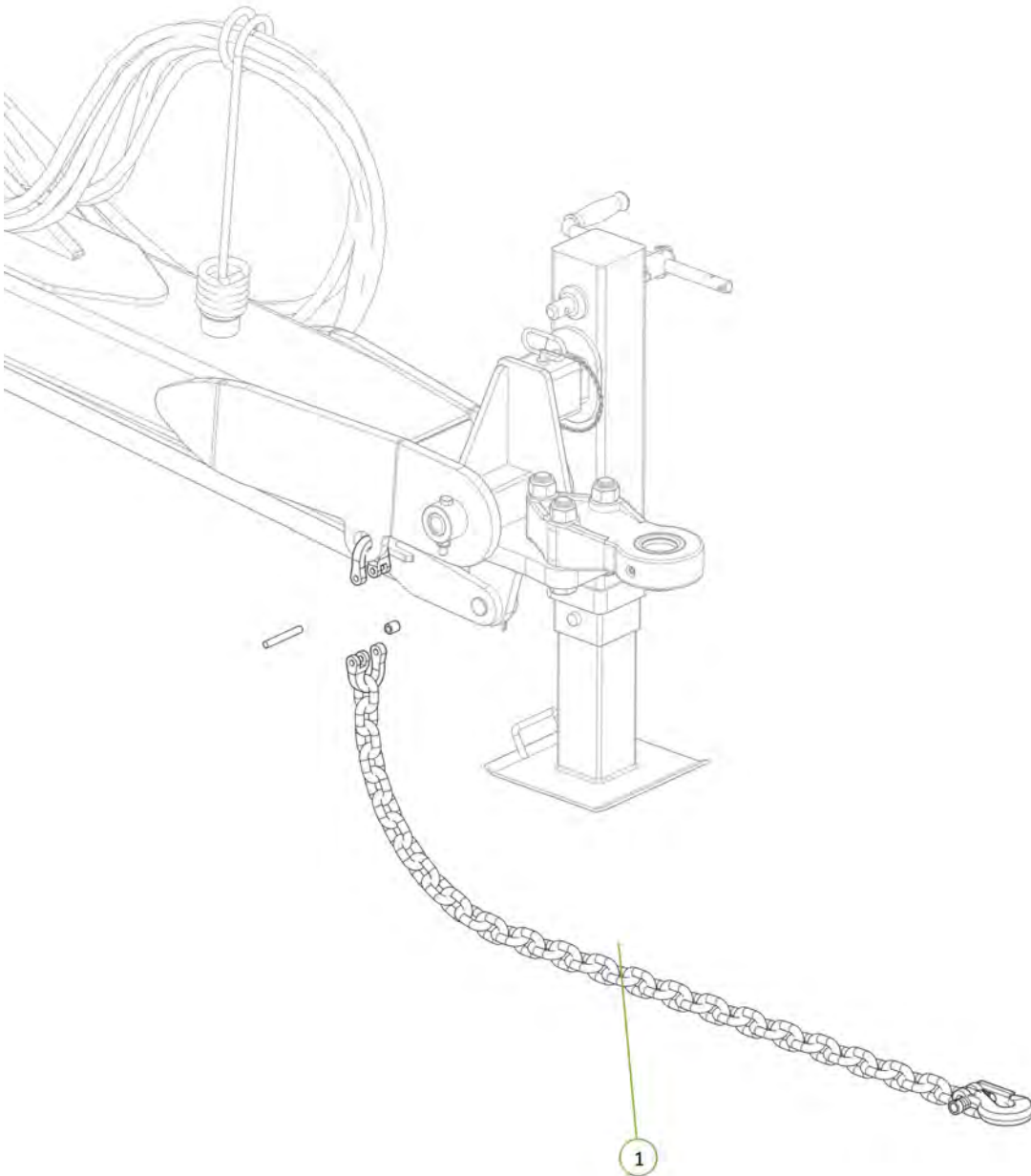
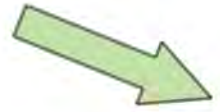
Item No.	Description	Qty	Number
1	Module Cylinder Guard	1	0800-167.3
2	Nyloc Nut M12	2	0221-NYL12
3	M12 x 45 grade 8.8 ZP Bolt	2	0211-1245
4	Washer Flat M12	4	0231-F12



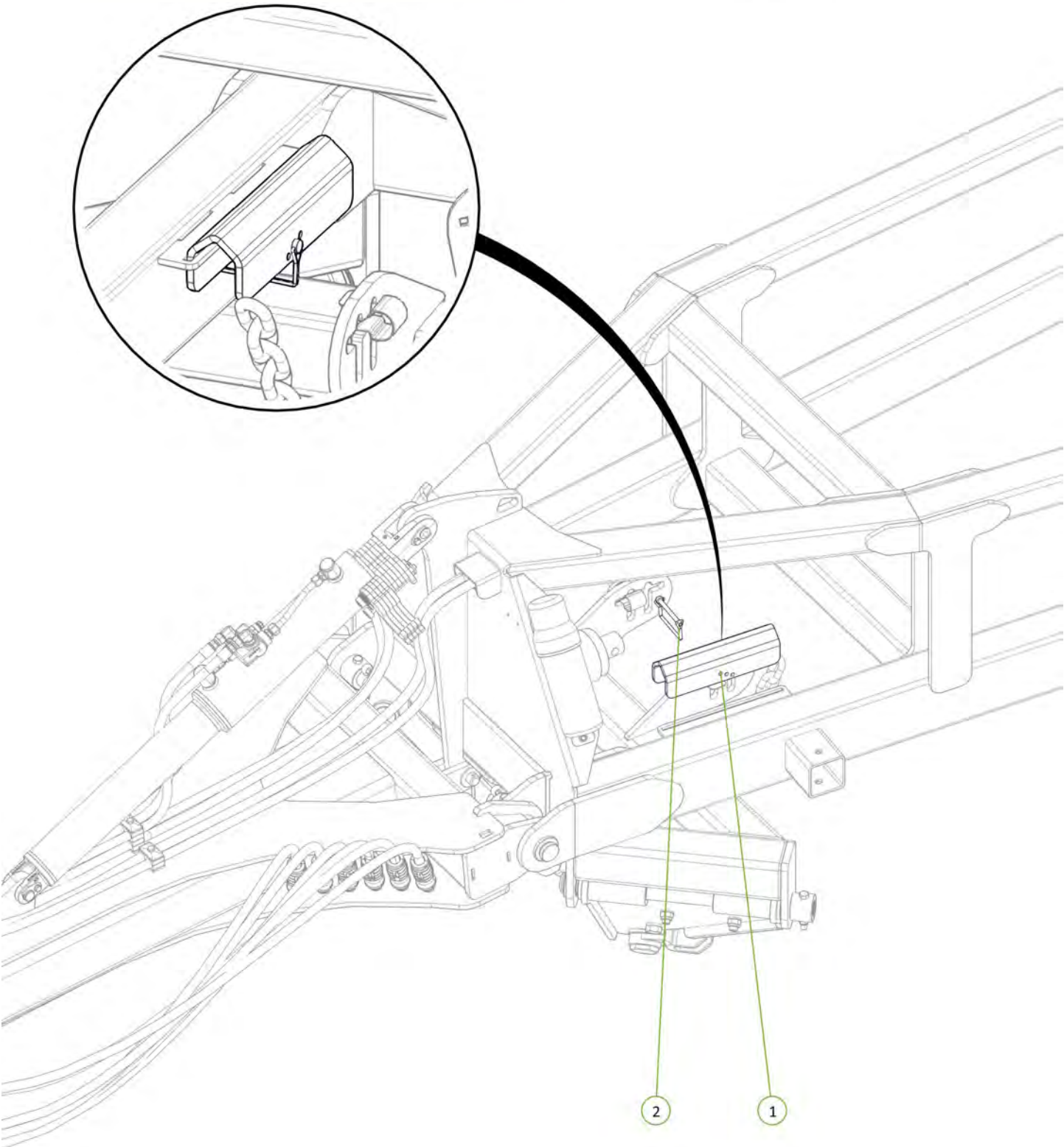
Item No.	Description	Qty	Number
1	Operator Manual Cannister	1	0801-OMC-1
2	M6 x 20 Trilobe self tapping ScREW	3	0211-M620MZPHTF
3	20mm Bolt Swivel Unit	1	0802-PCHB55
4	M20 x 110 grade 10.9 ZP Short Thread Bolt	1	0211-20110 ST
5	Nyloc Nut M20	1	0221-NYL20
6	Ratcheting Gear Wrench 1 3/4"	1	0802-GW1 3-4

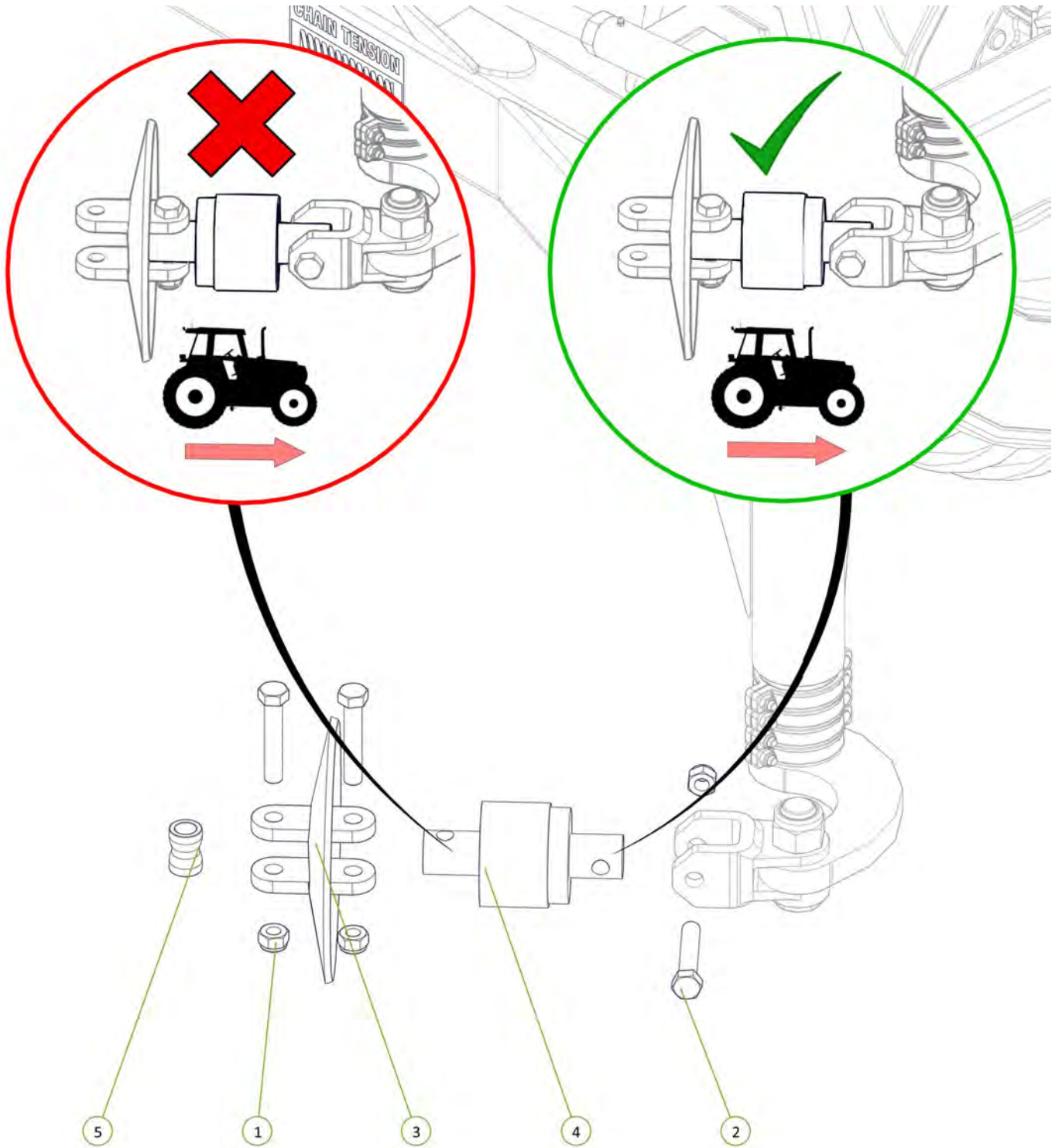


Item No.	Description	Qty	Number
1	Safety Chain Assembly	1	0810-16



Item No.	Description	Qty	Number
1	Cylinder Safety Stop	1	0800-688
2	Square Loop Pin 5/16" x 3 1/2"	1	0511-PINLOOPSQ516x312

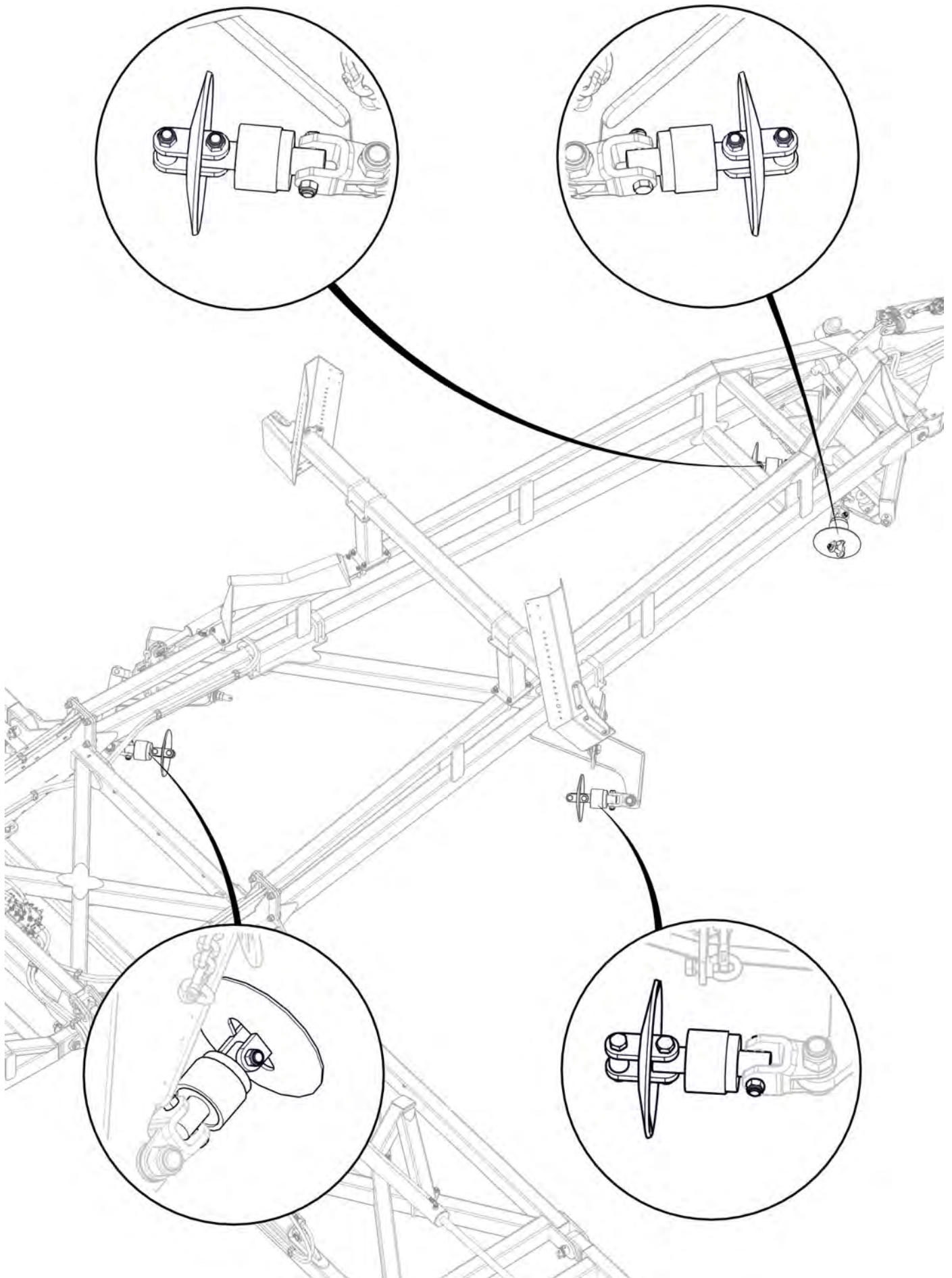


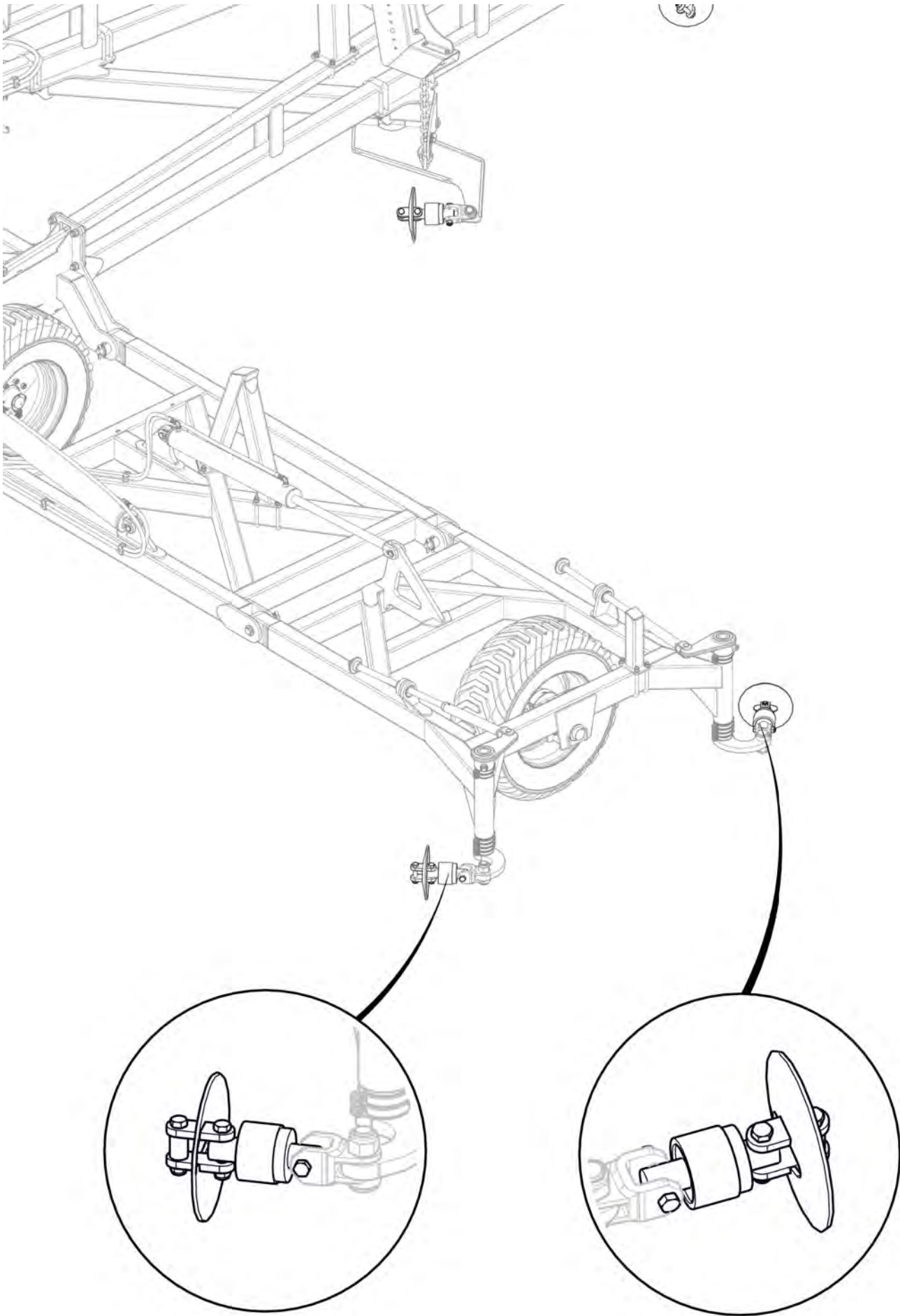


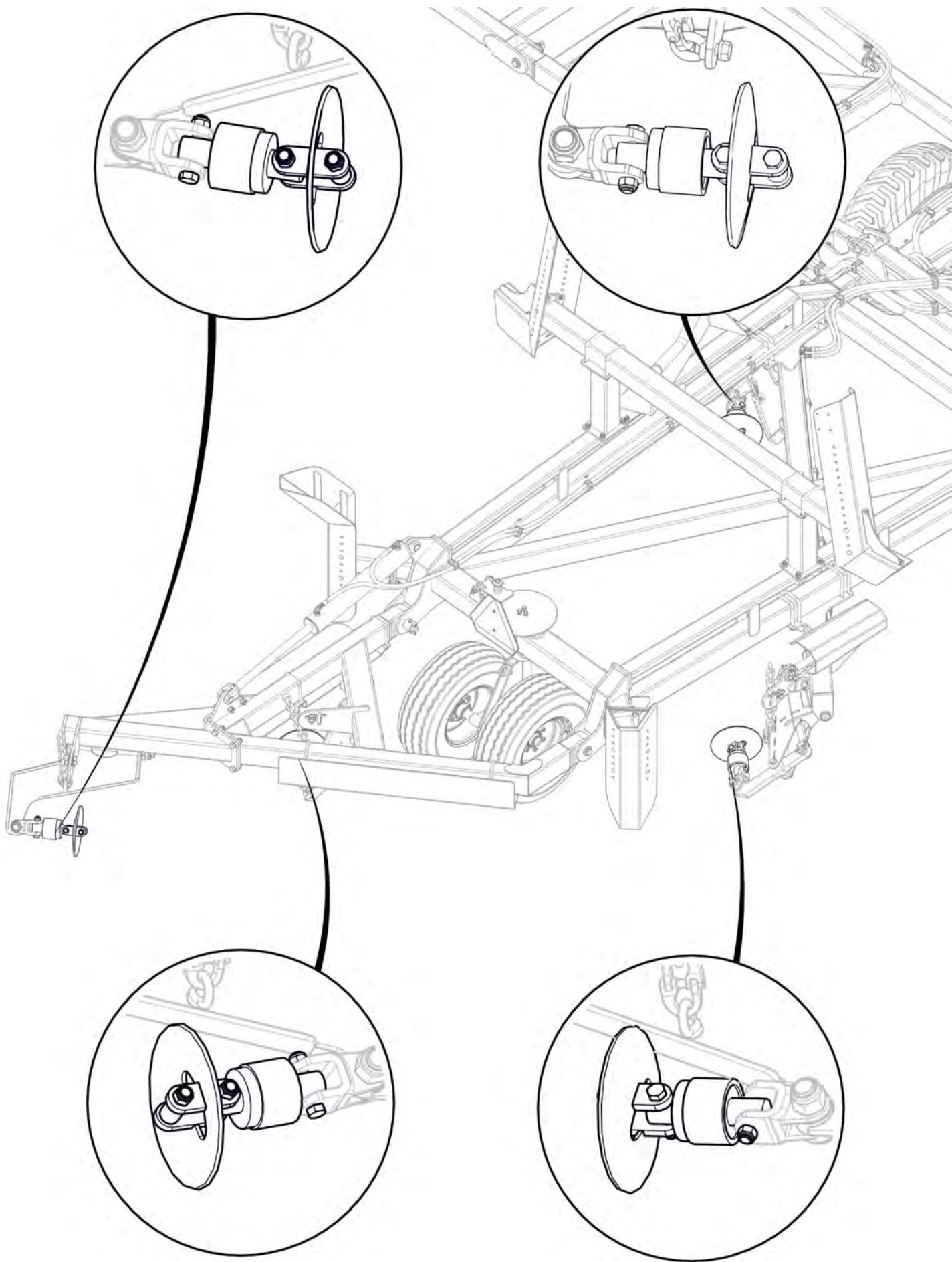
Item No.	Description	Qty	Number
1	Nyloc Nut M20	3	0221-NYL20
2	M20 x 110 grade 10.9 ZP Short Thread Bolt	3	0211-20110 ST
3	Disc Chain Tie Plate Link 20mm	1	0802-DCTP-20
4	20mm Bolt Swivel Unit	1	0802-PCHB55
5	Disc Chain Spacer	1	0801-253755







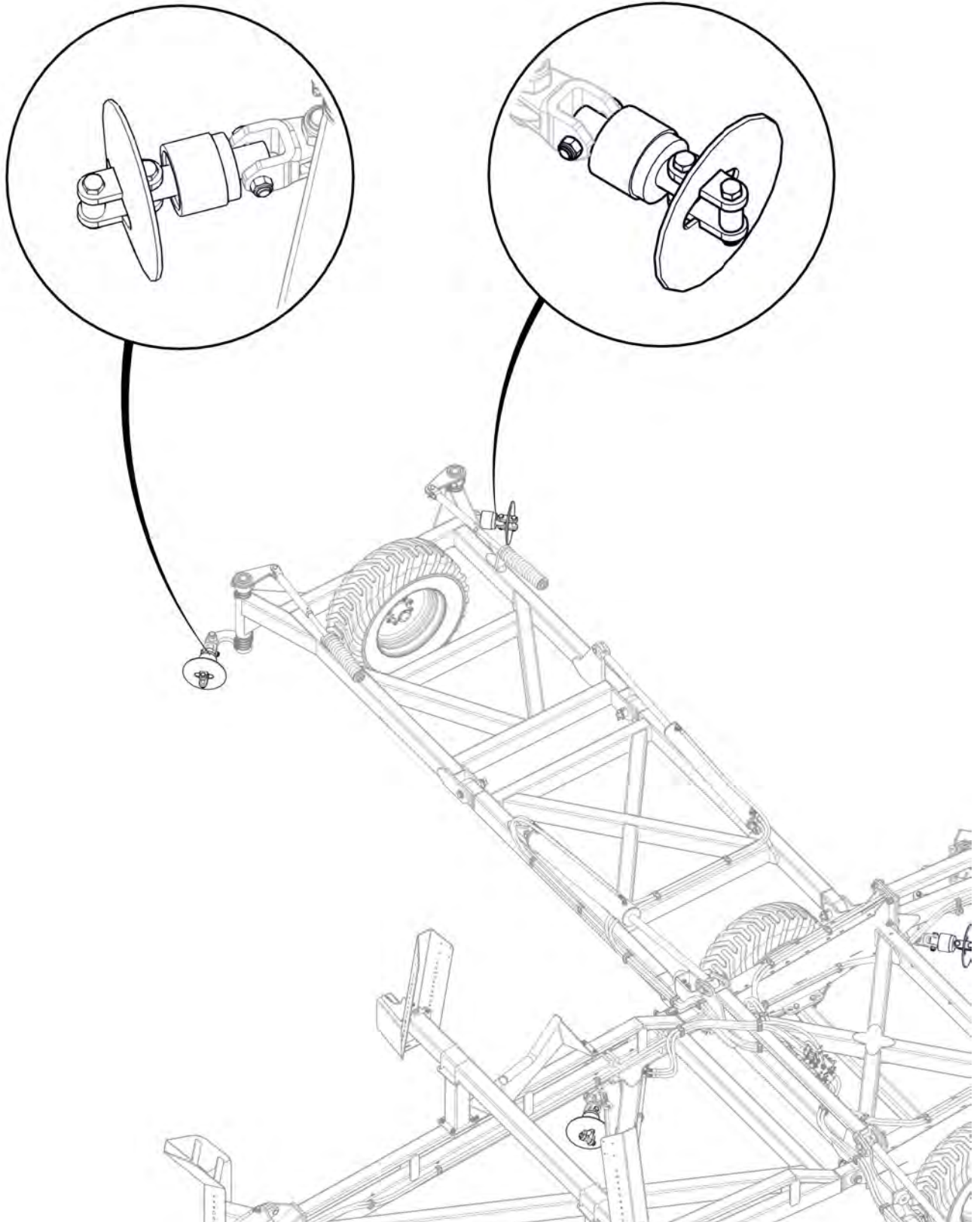


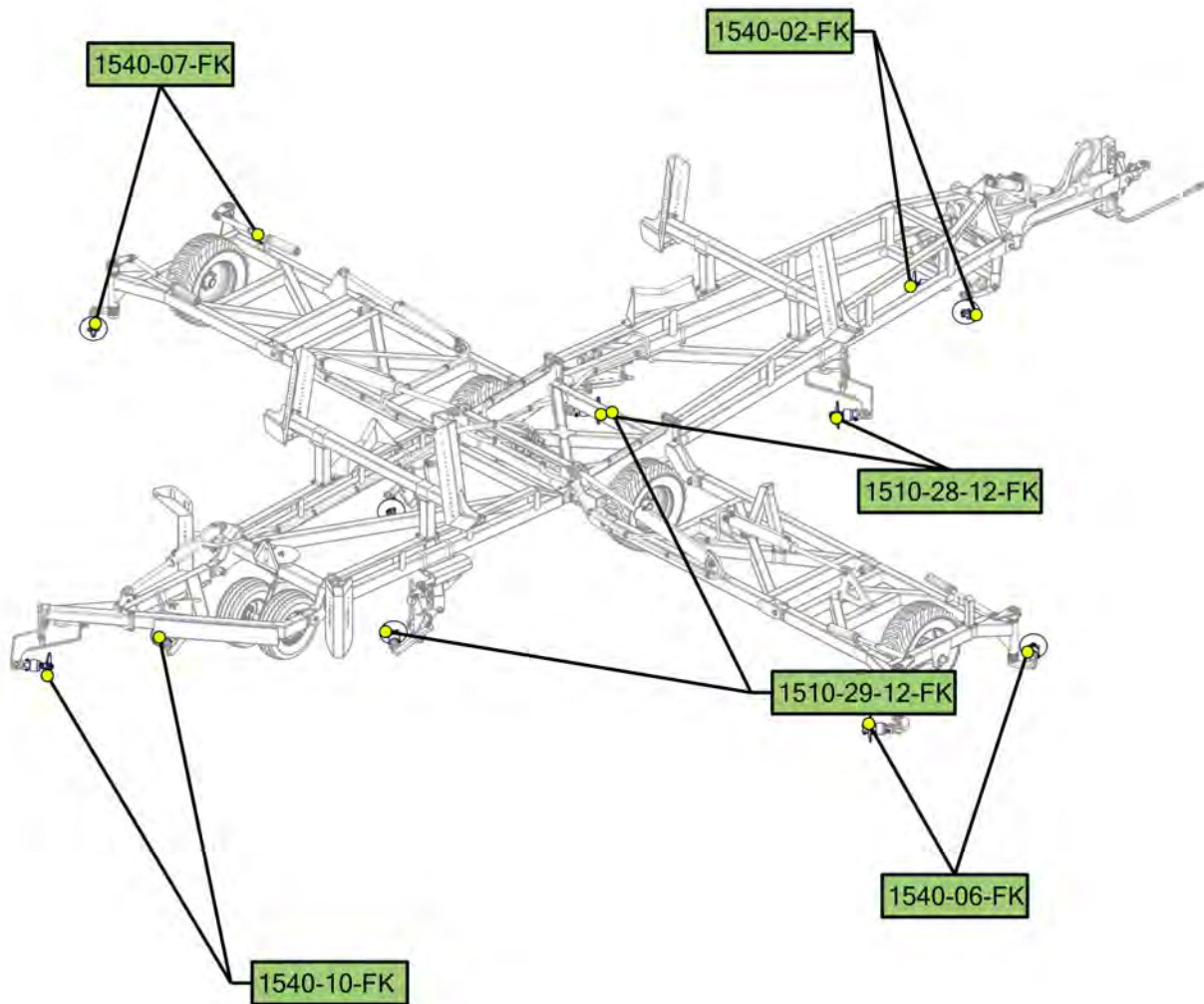


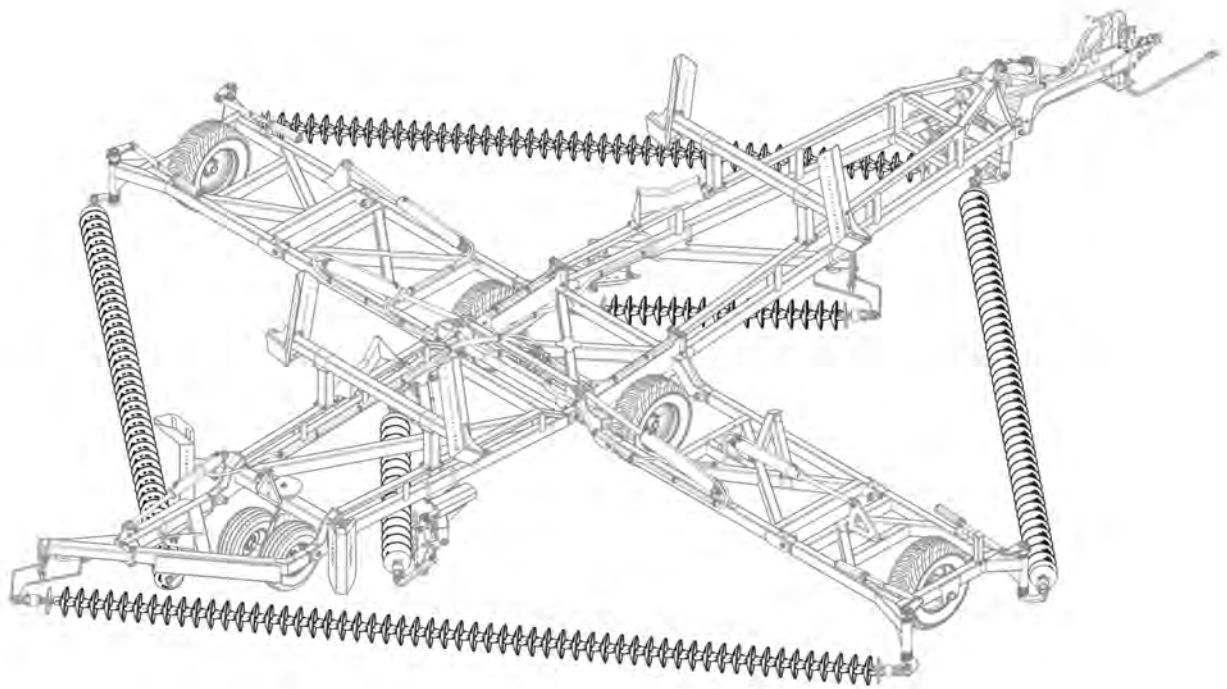
All bearings correctly orientated with seal facing the rear of the machine



Signed \_\_\_\_\_ Date \_\_/\_\_/\_\_  
Unit Serial Number \_\_\_\_\_

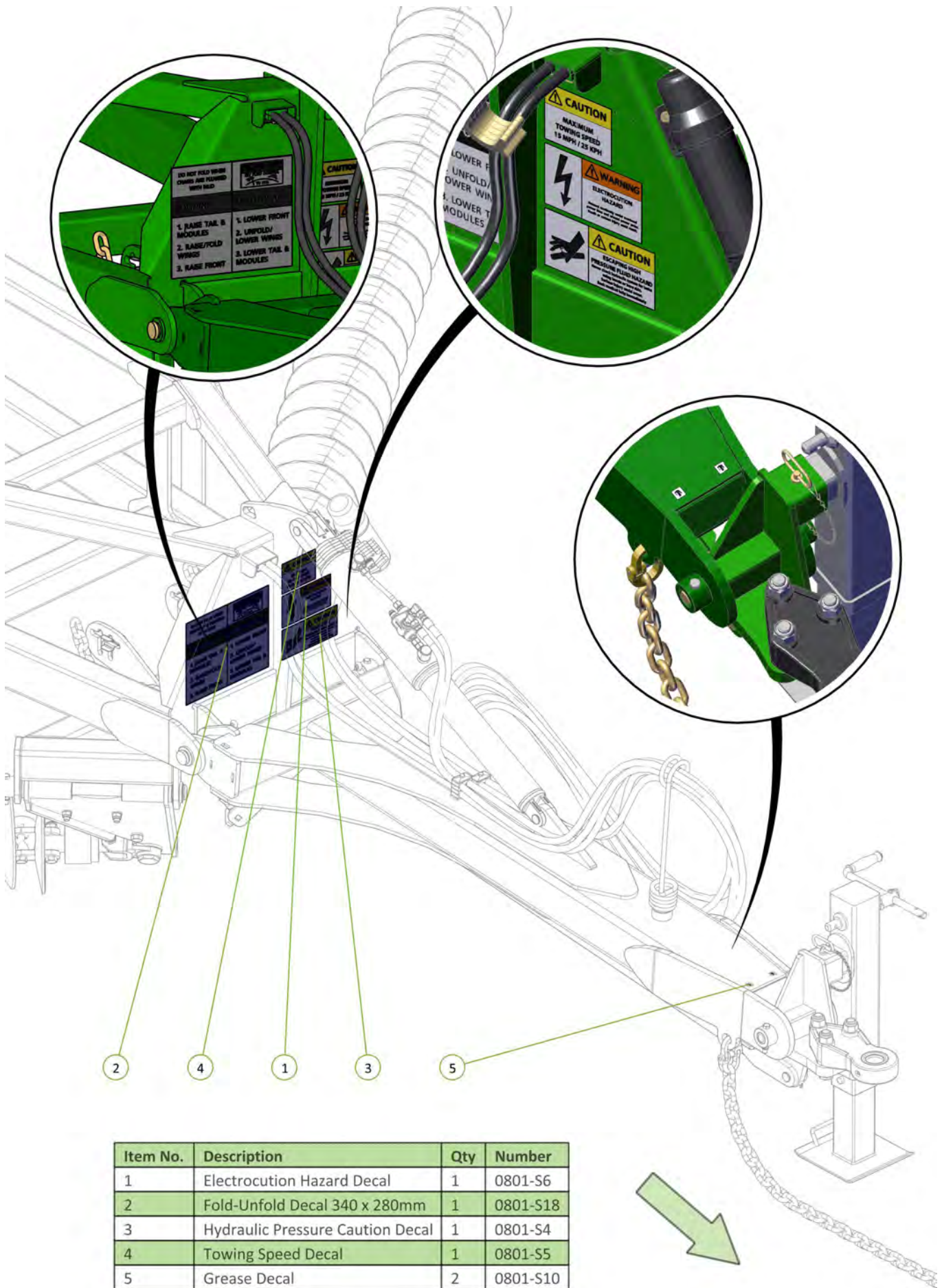






# Section 3

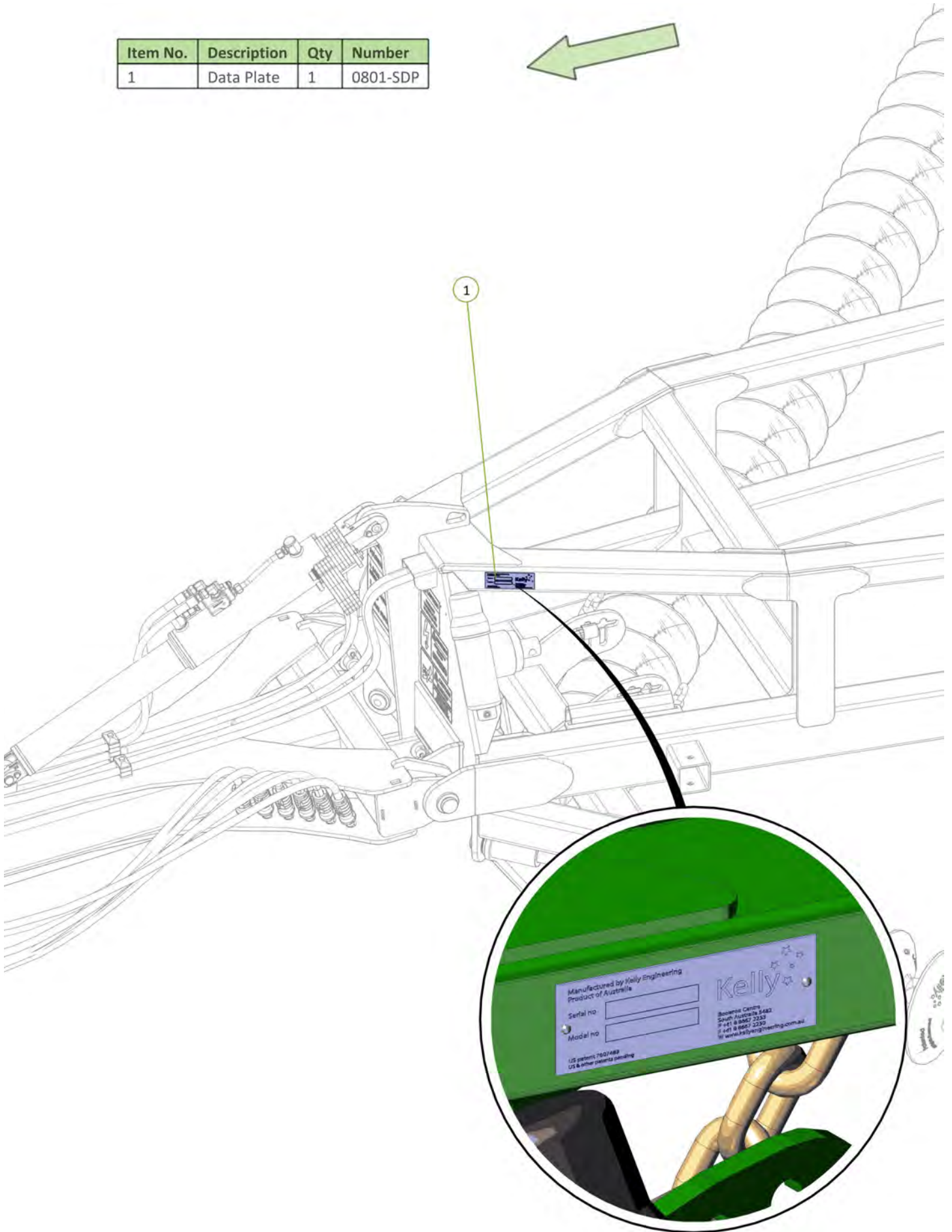
## Decal Application



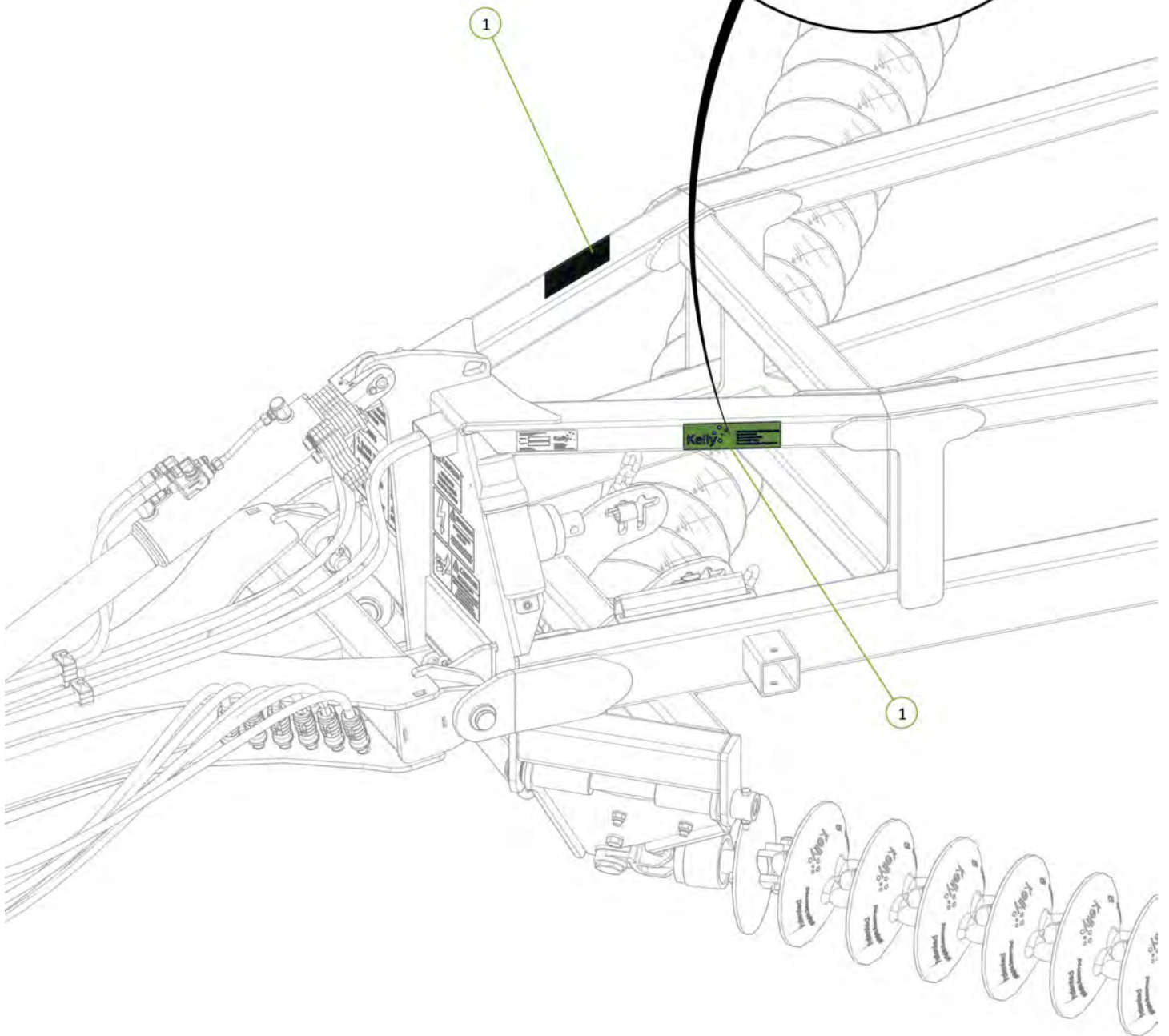
Item No.	Description	Qty	Number
1	Electrocution Hazard Decal	1	0801-S6
2	Fold-Unfold Decal 340 x 280mm	1	0801-S18
3	Hydraulic Pressure Caution Decal	1	0801-S4
4	Towing Speed Decal	1	0801-S5
5	Grease Decal	2	0801-S10

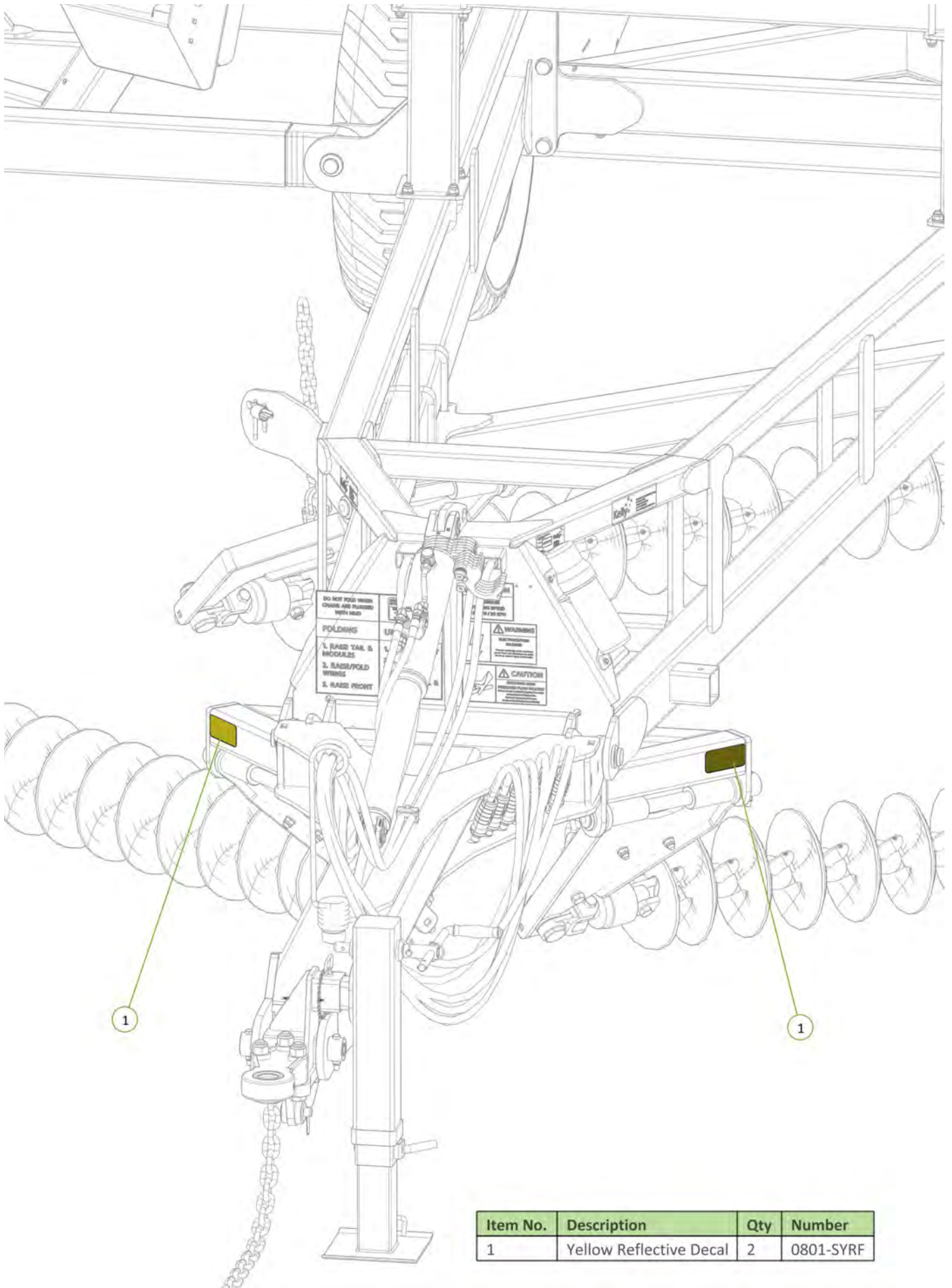


Item No.	Description	Qty	Number
1	Data Plate	1	0801-SDP

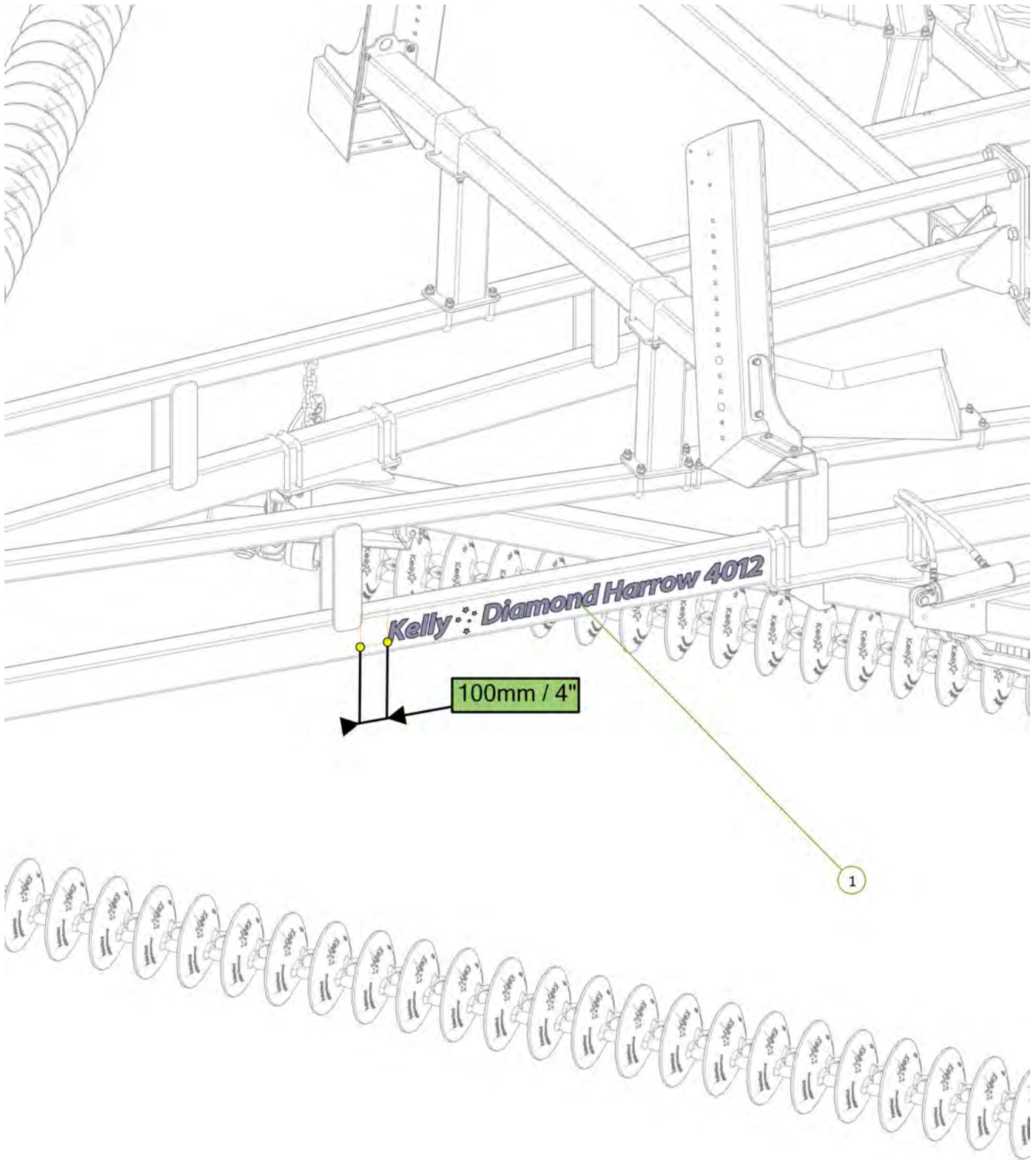


Item No.	Description	Qty	Number
1	Kelly Engineering Decal	2	0801-S12

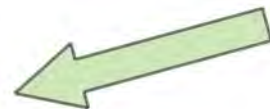


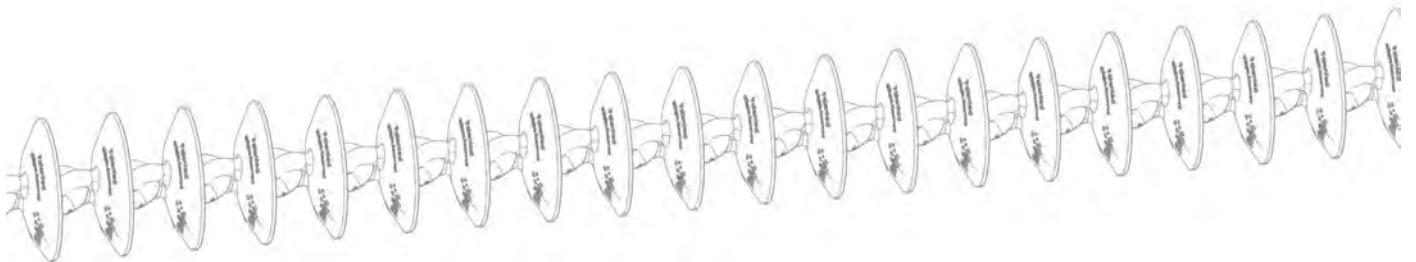
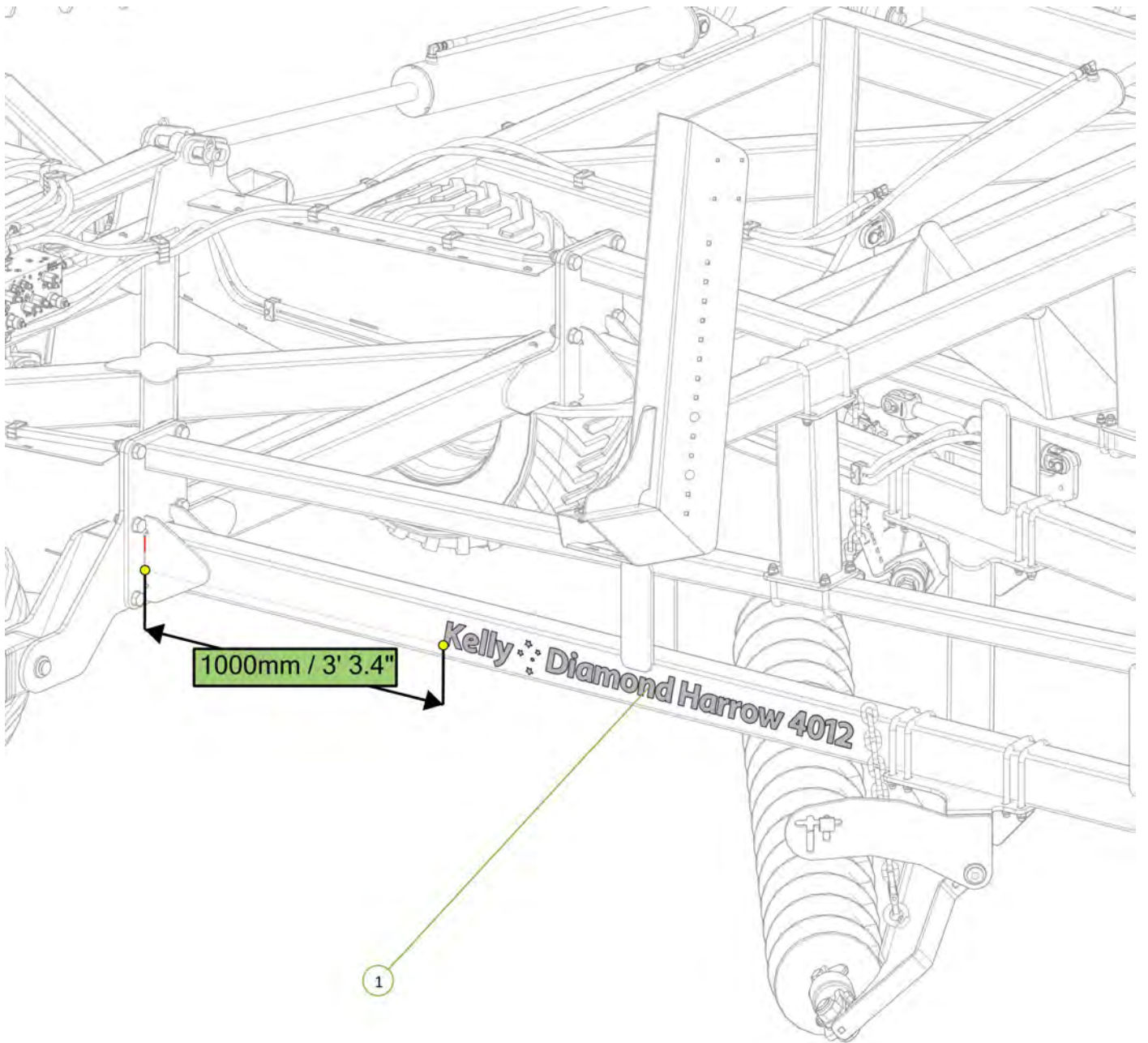


Item No.	Description	Qty	Number
1	Yellow Reflective Decal	2	0801-SYRF



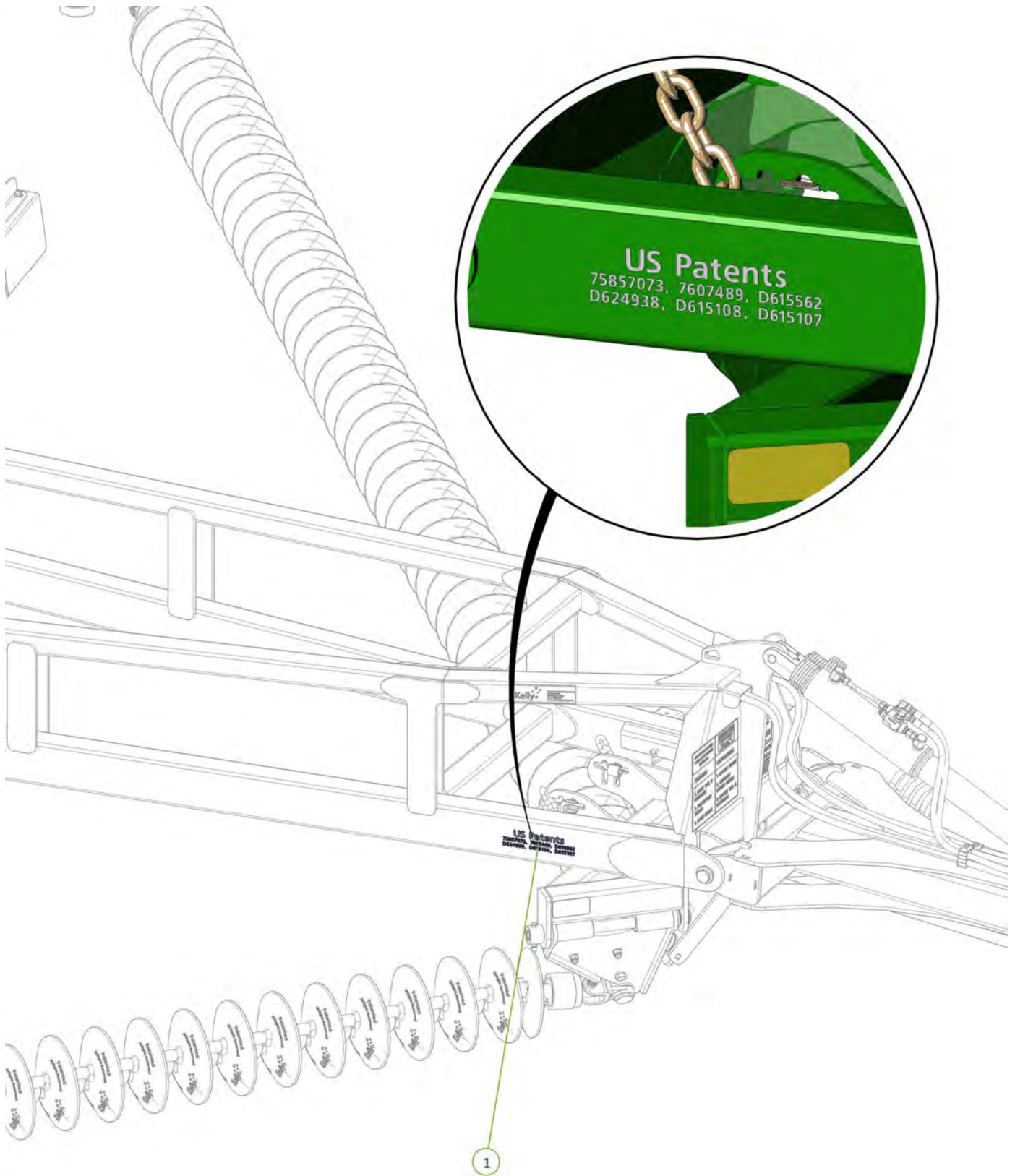
Item No.	Description	Qty	Number
1	Diamond Harrow 4012 Decal	1	0801-SKDH4012





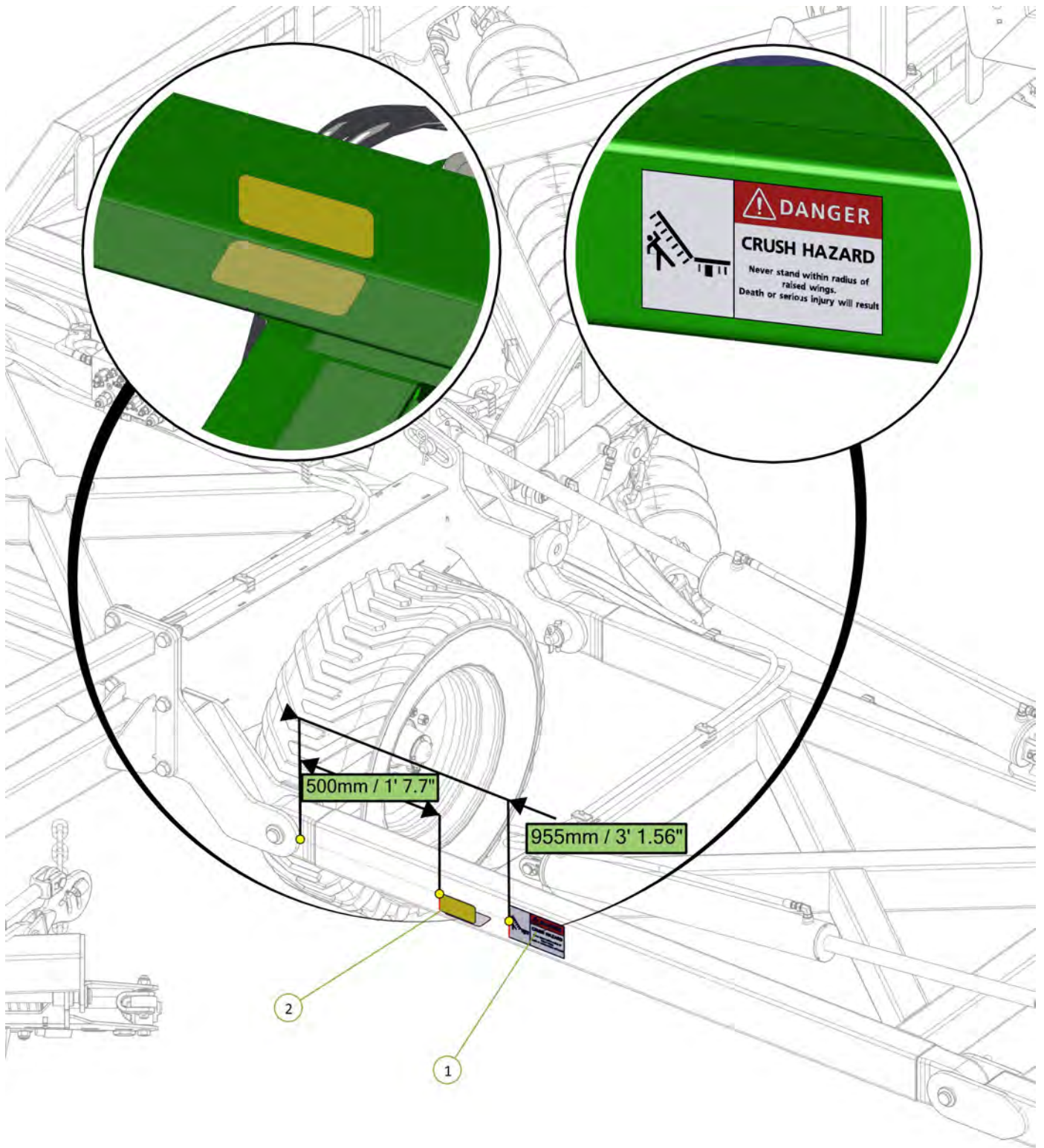
Item No.	Description	Qty	Number
1	Diamond Harrow 4012 Decal	1	0801-SKDH4012





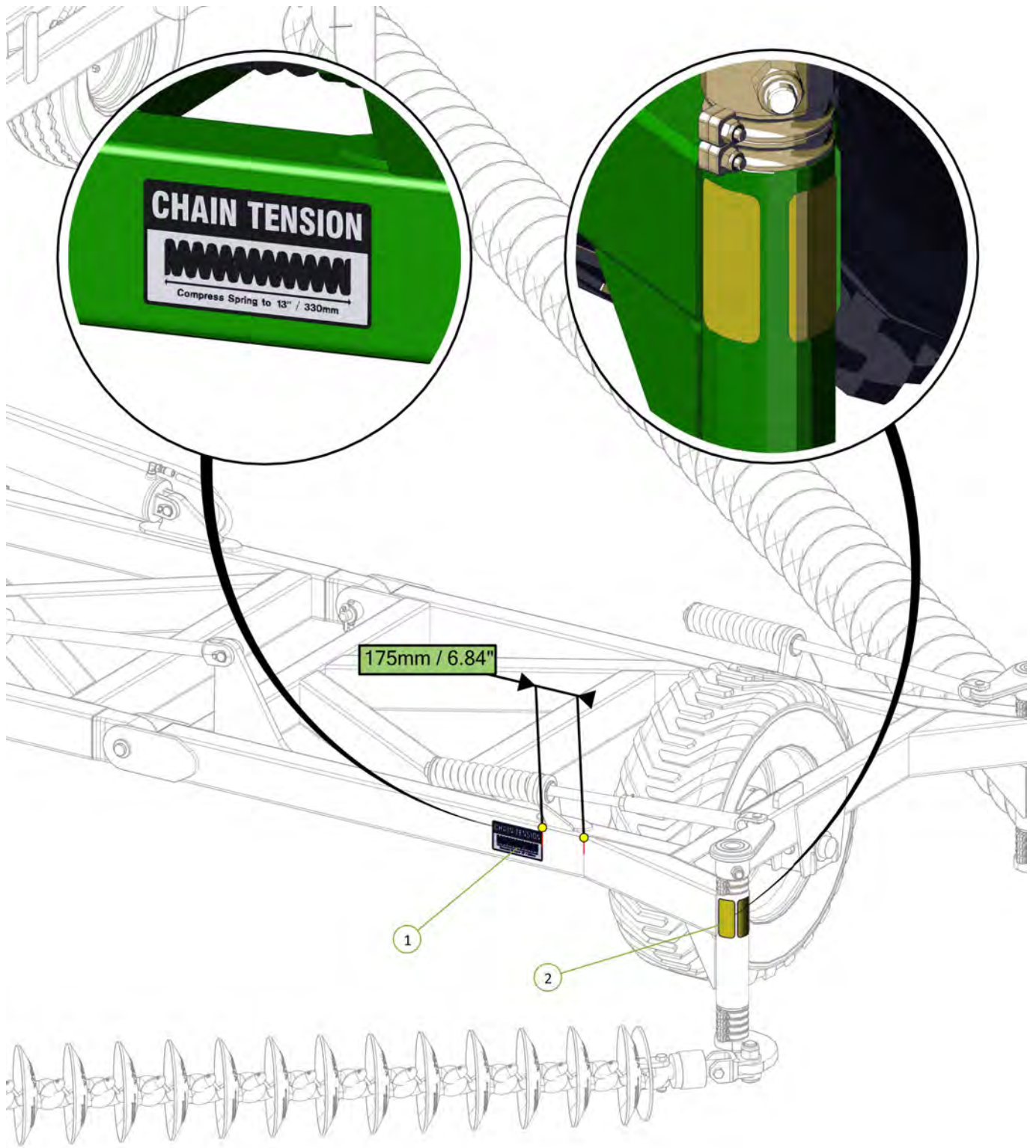
Item No.	Description	Qty	Number
1	USA Patent No. Decal	1	0801-SUSP





Item No.	Description	Qty	Number
1	Danger Crush Hazard Decal	1	0801-S3
2	Yellow Reflective Decal	2	0801-SYRF

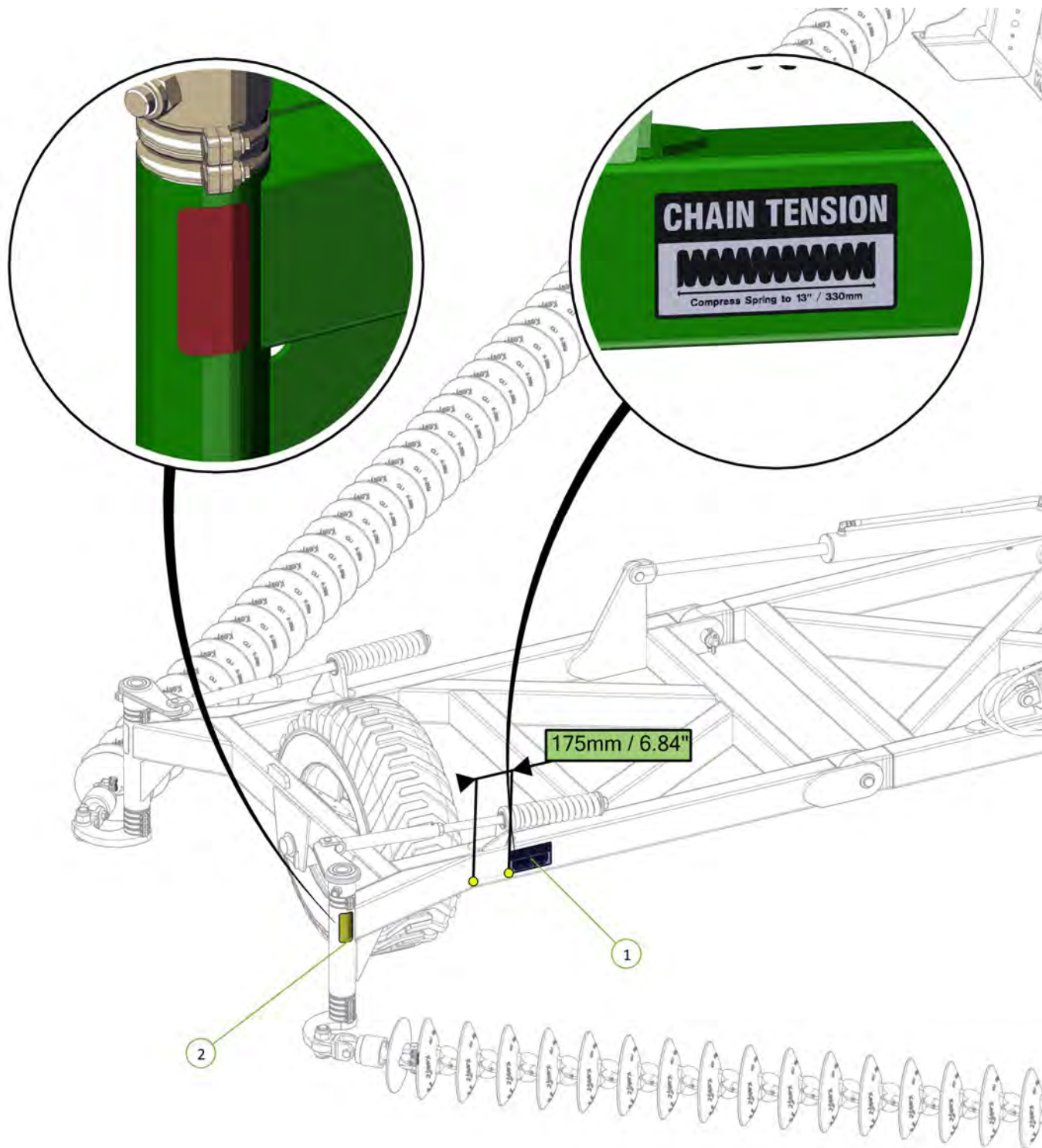




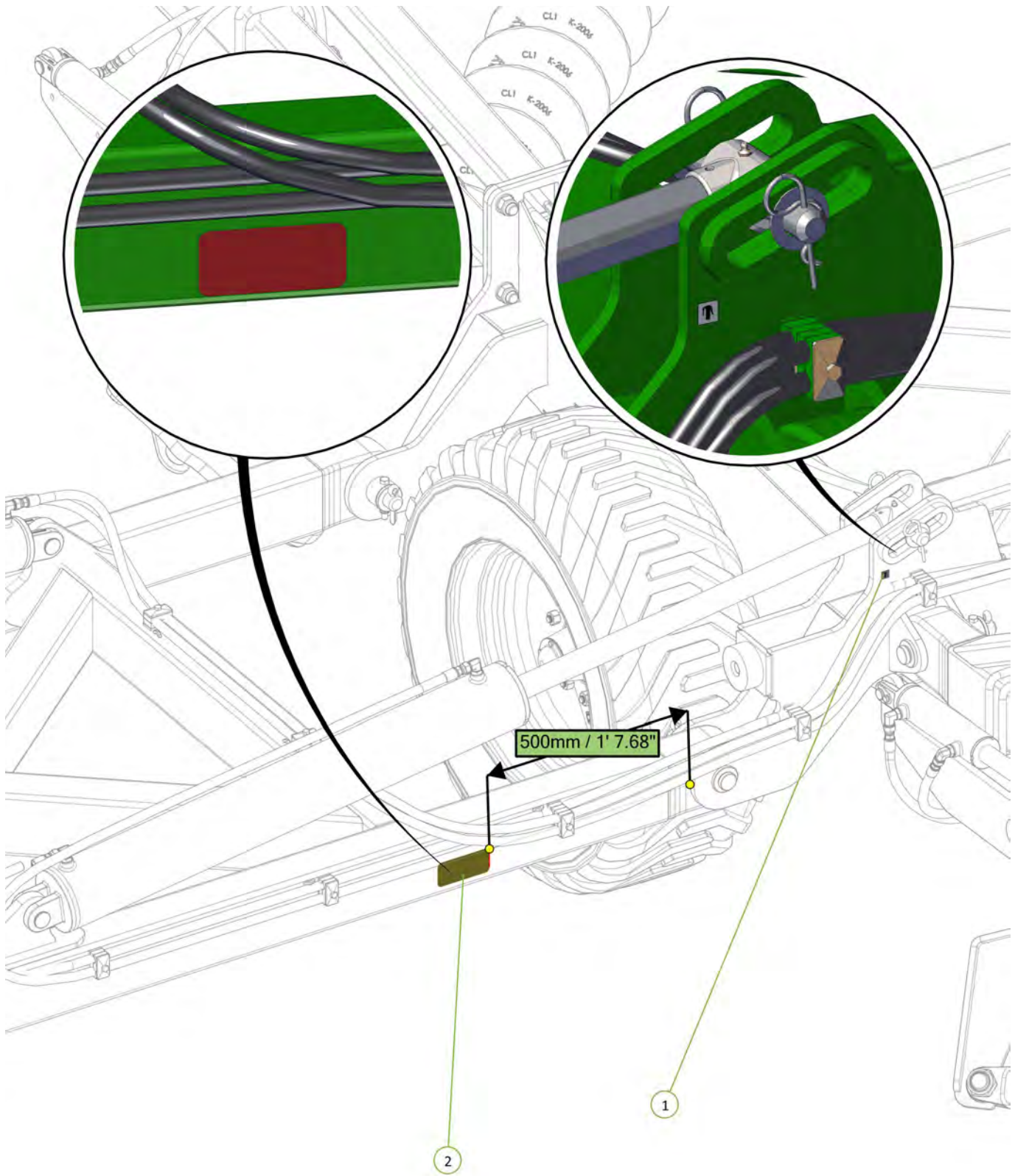
Item No.	Description	Qty	Number
1	Chain Tension 330mm Decal	1	0801-S15
2	Yellow Reflective Decal	2	0801-SYRF





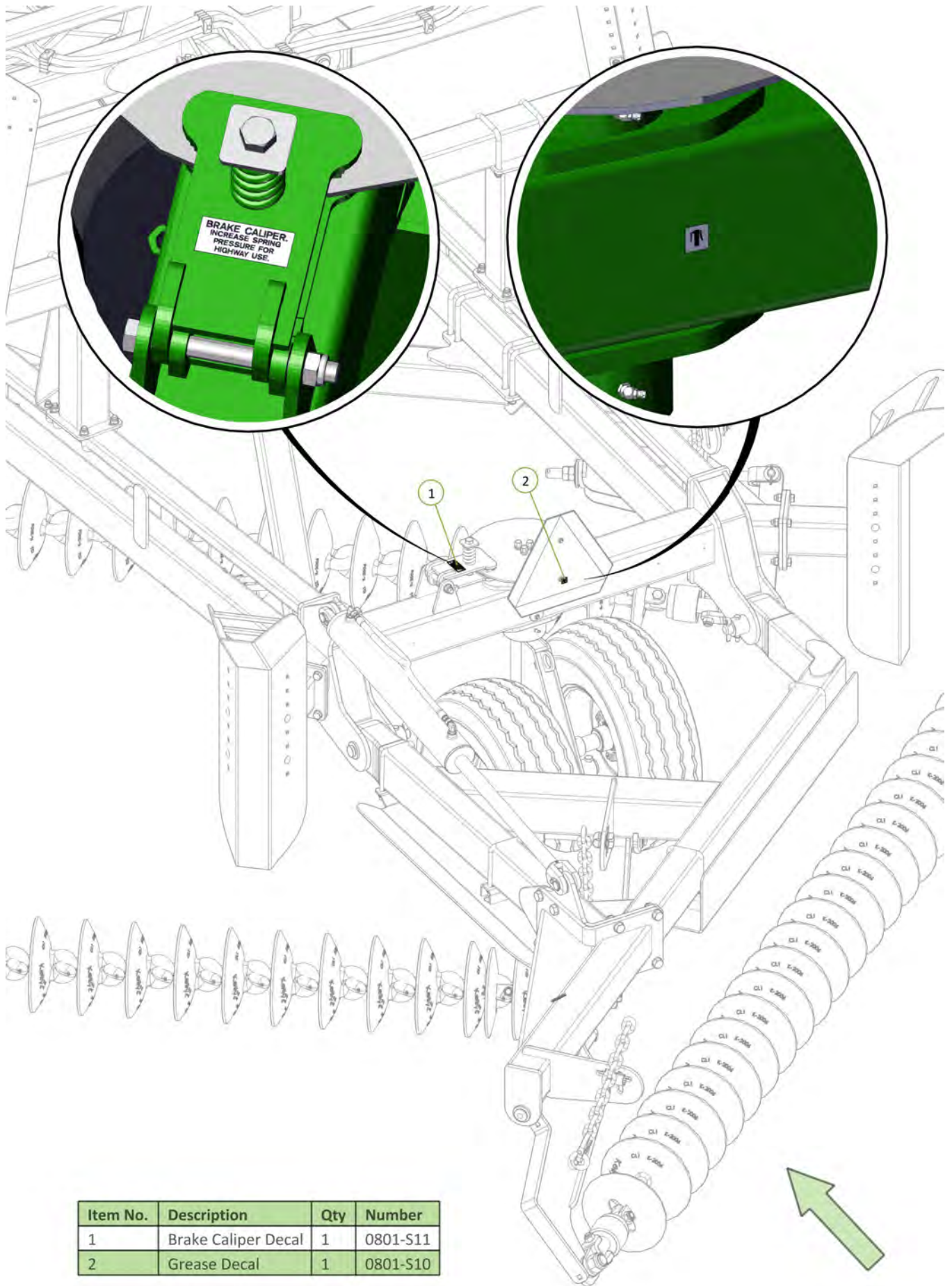


Item No.	Description	Qty	Number
1	Chain Tension 330mm Decal	1	0801-S15
2	Red Reflective Decal	1	0801-SRRF



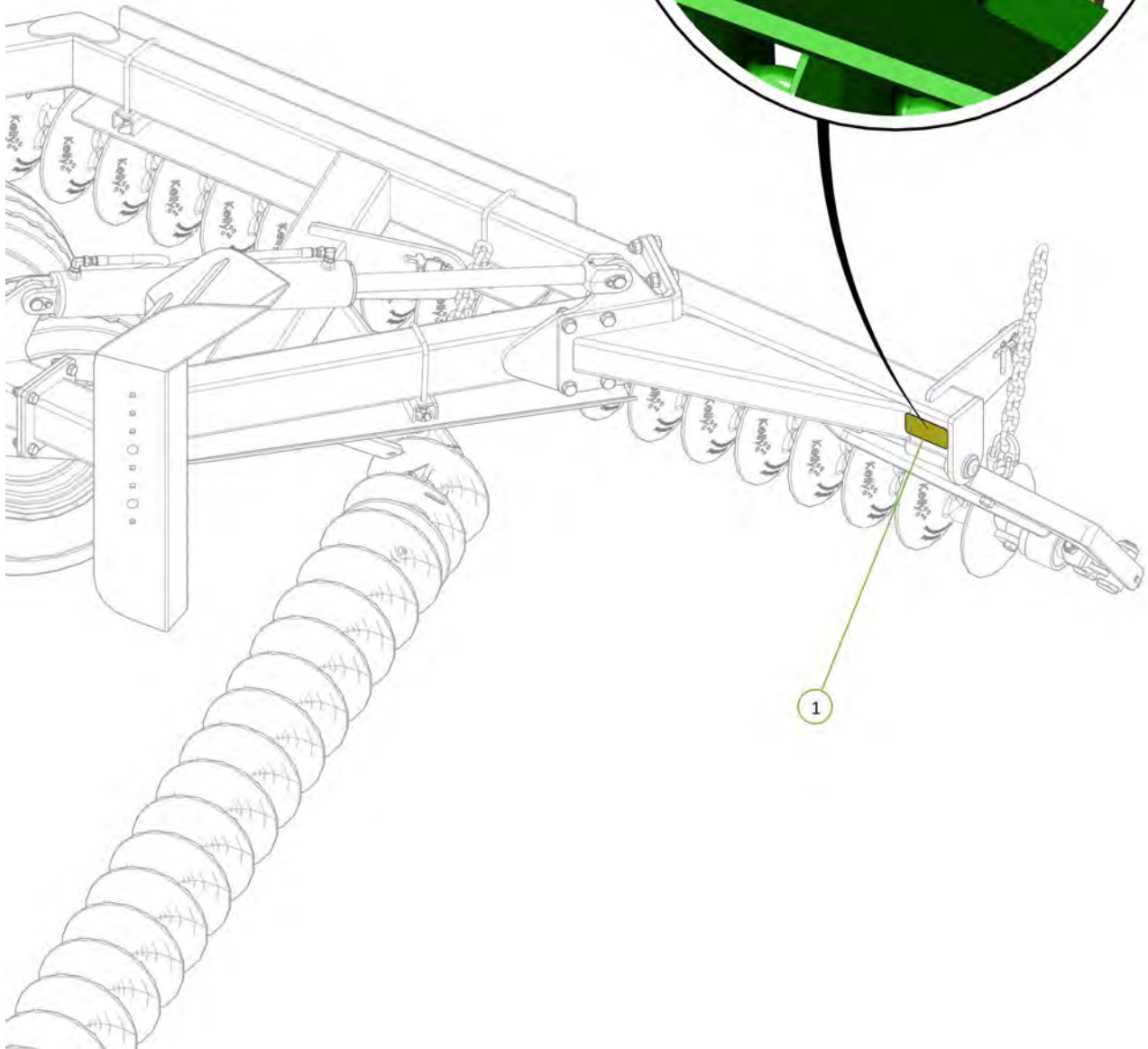
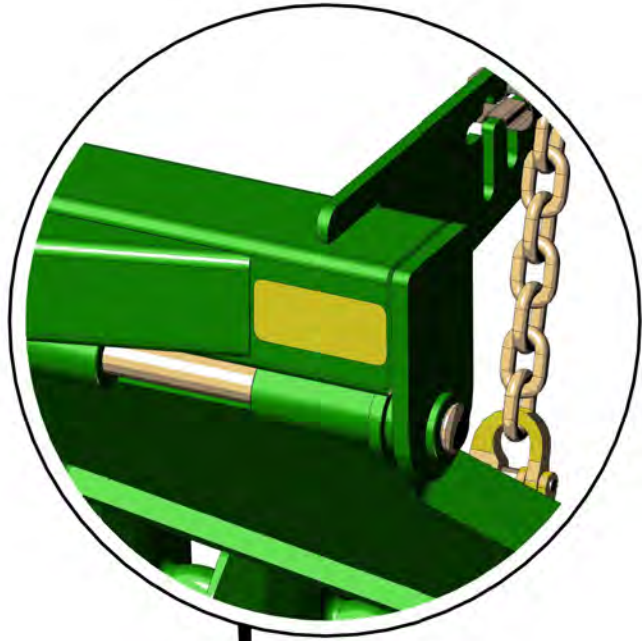
Item No.	Description	Qty	Number
1	Grease Decal	1	0801-S10
2	Red Reflective Decal	1	0801-SRRF



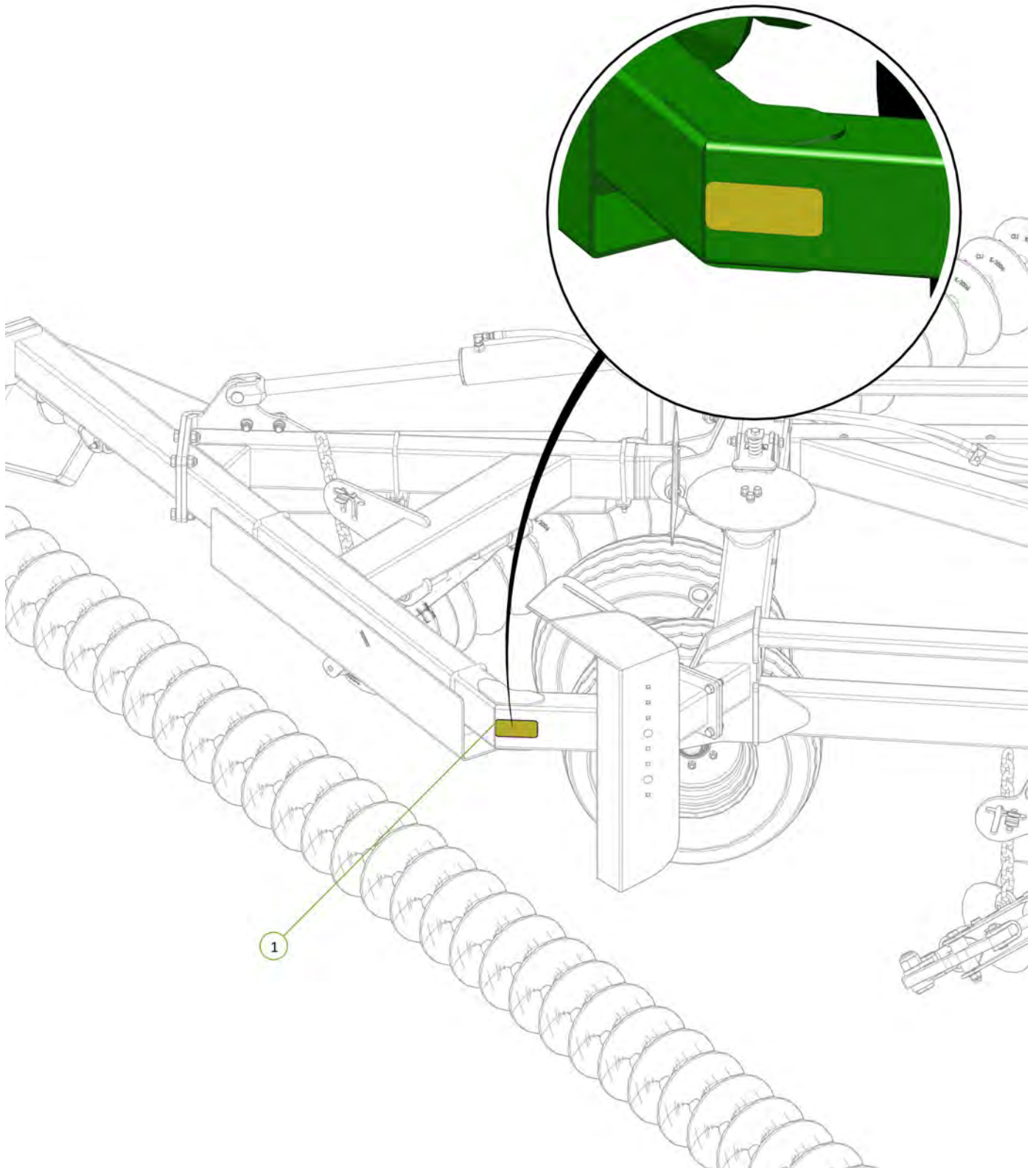


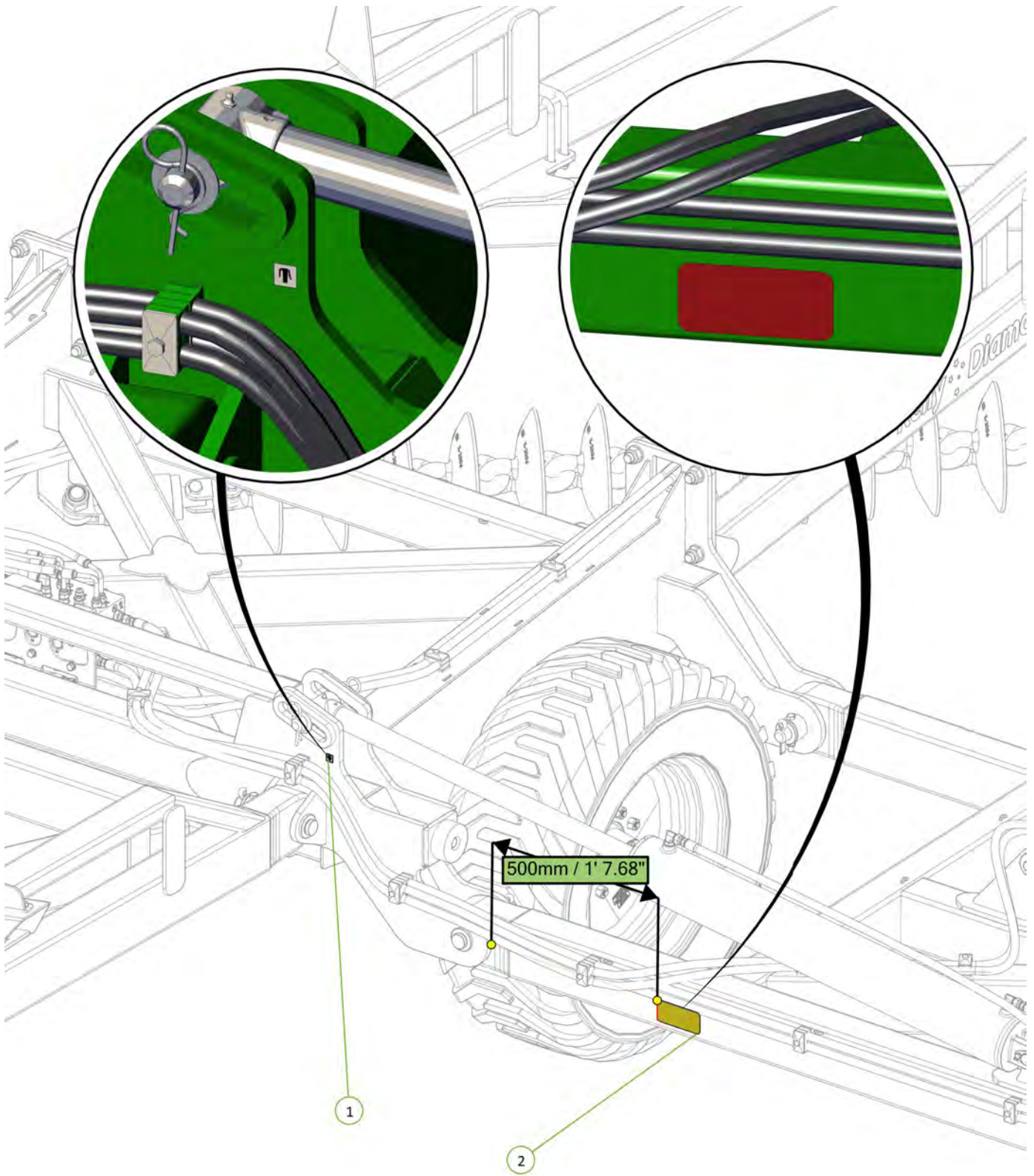
Item No.	Description	Qty	Number
1	Brake Caliper Decal	1	0801-S11
2	Grease Decal	1	0801-S10

Item No.	Description	Qty	Number
1	Yellow Reflective Decal	1	0801-SYRF



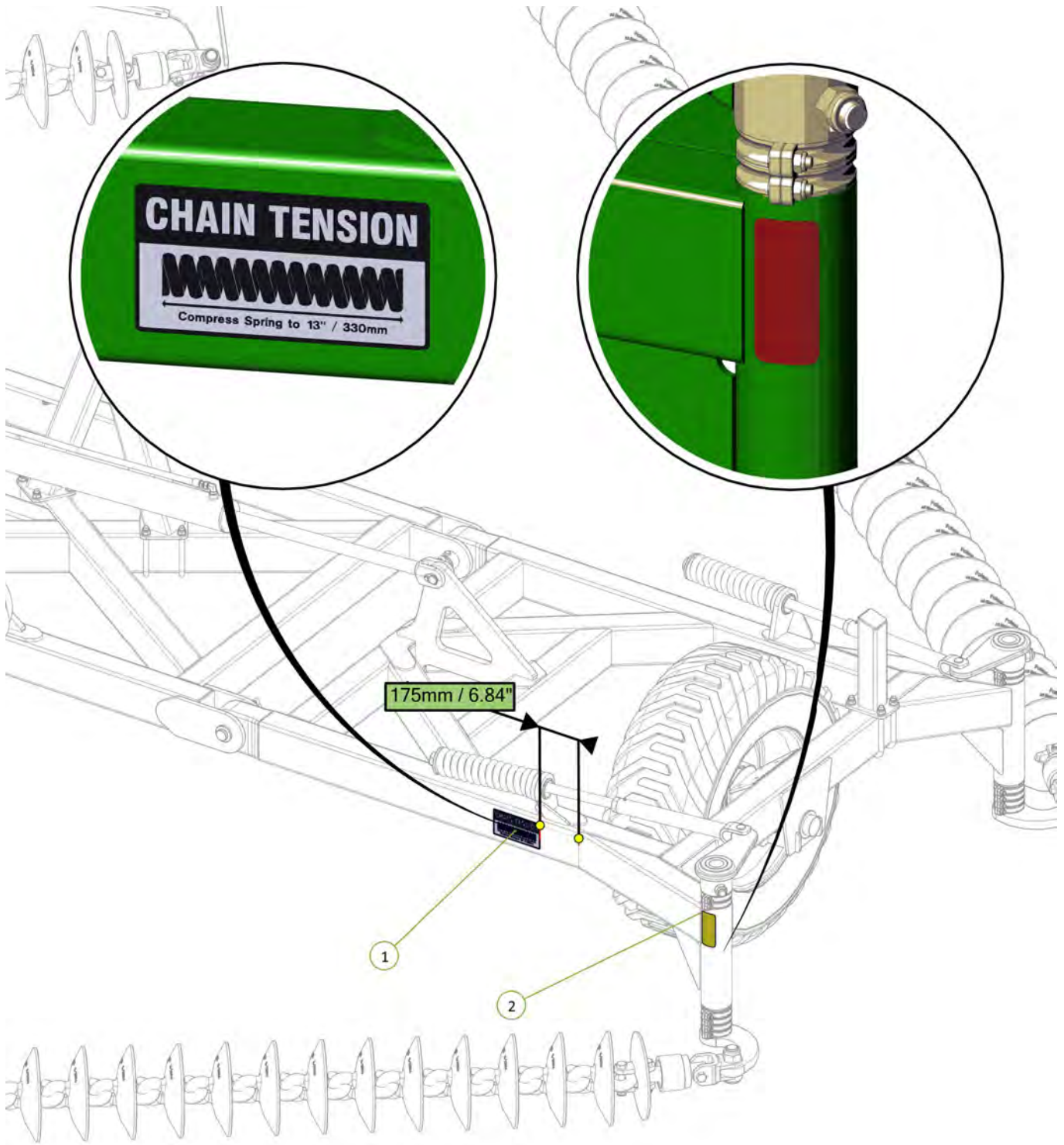
Item No.	Description	Qty	Number
1	Yellow Reflective Decal	1	0801-SYRF





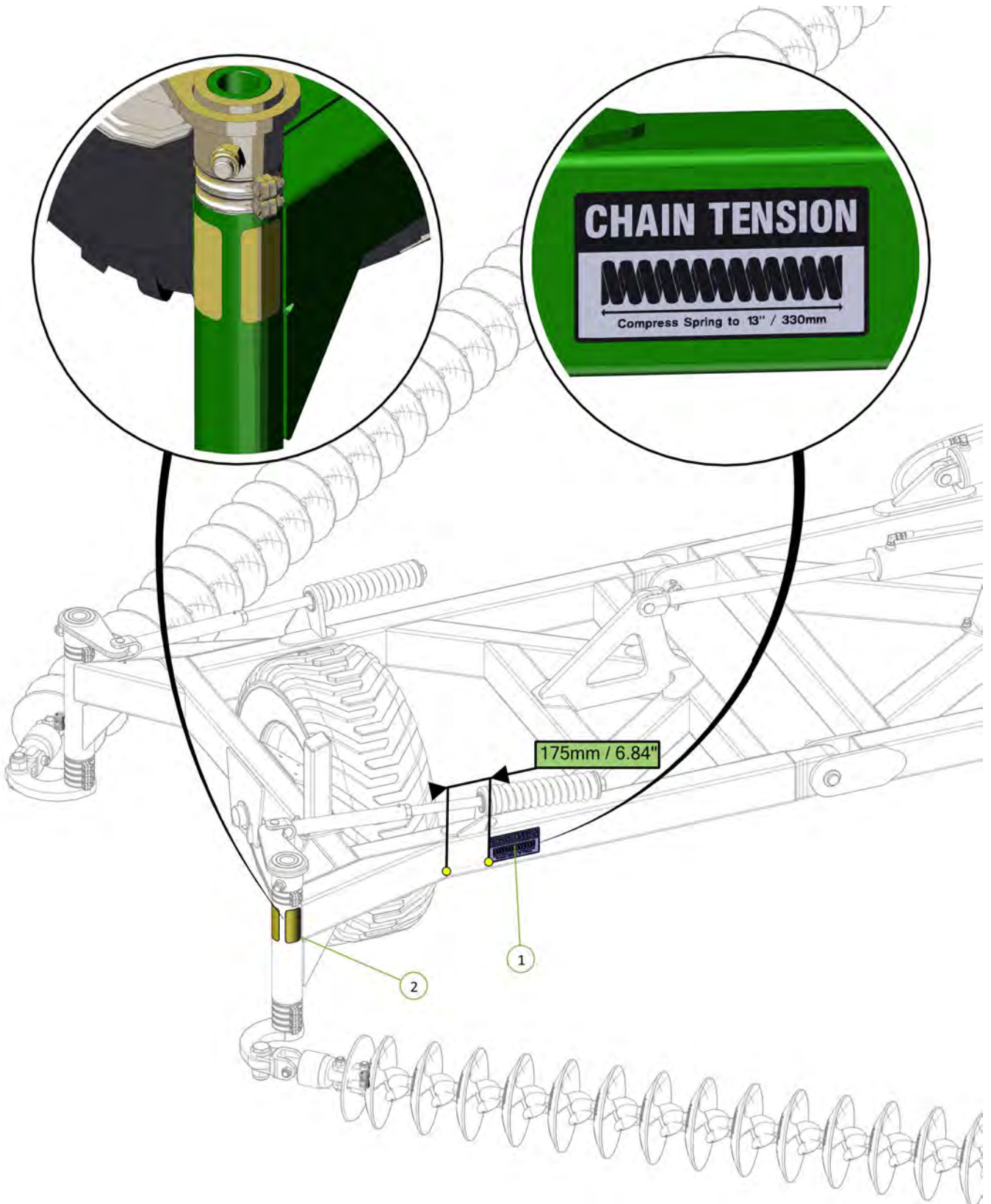
Item No.	Description	Qty	Number
1	Grease Decal	1	0801-S10
2	Red Reflective Decal	1	0801-SRRF





Item No.	Description	Qty	Number
1	Chain Tension 330mm Decal	1	0801-S15
2	Red Reflective Decal	1	0801-SRRF

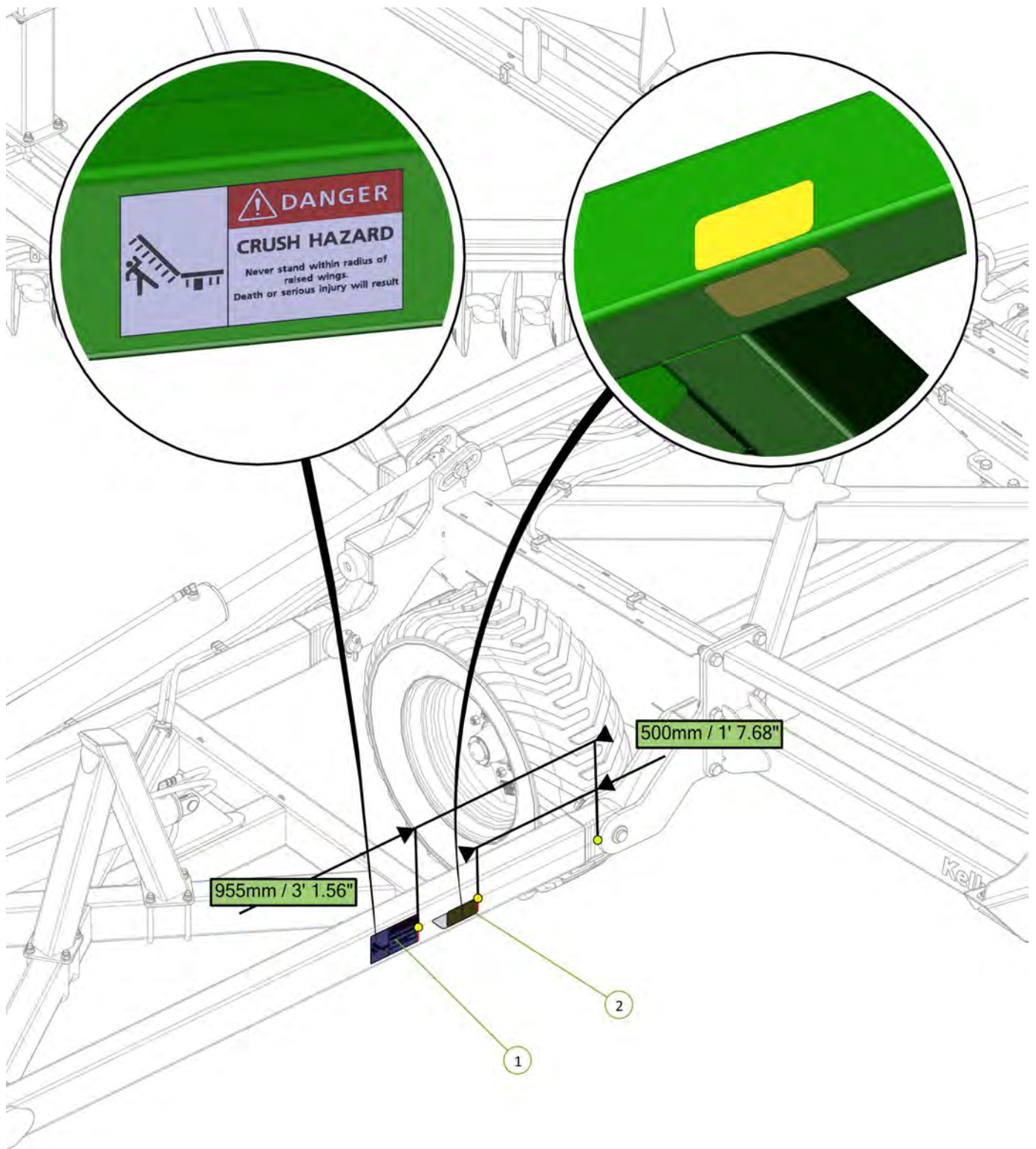




Item No.	Description	Qty	Number
1	Chain Tension 330mm Decal	1	0801-S15
2	Yellow Reflective Decal	2	0801-SYRF



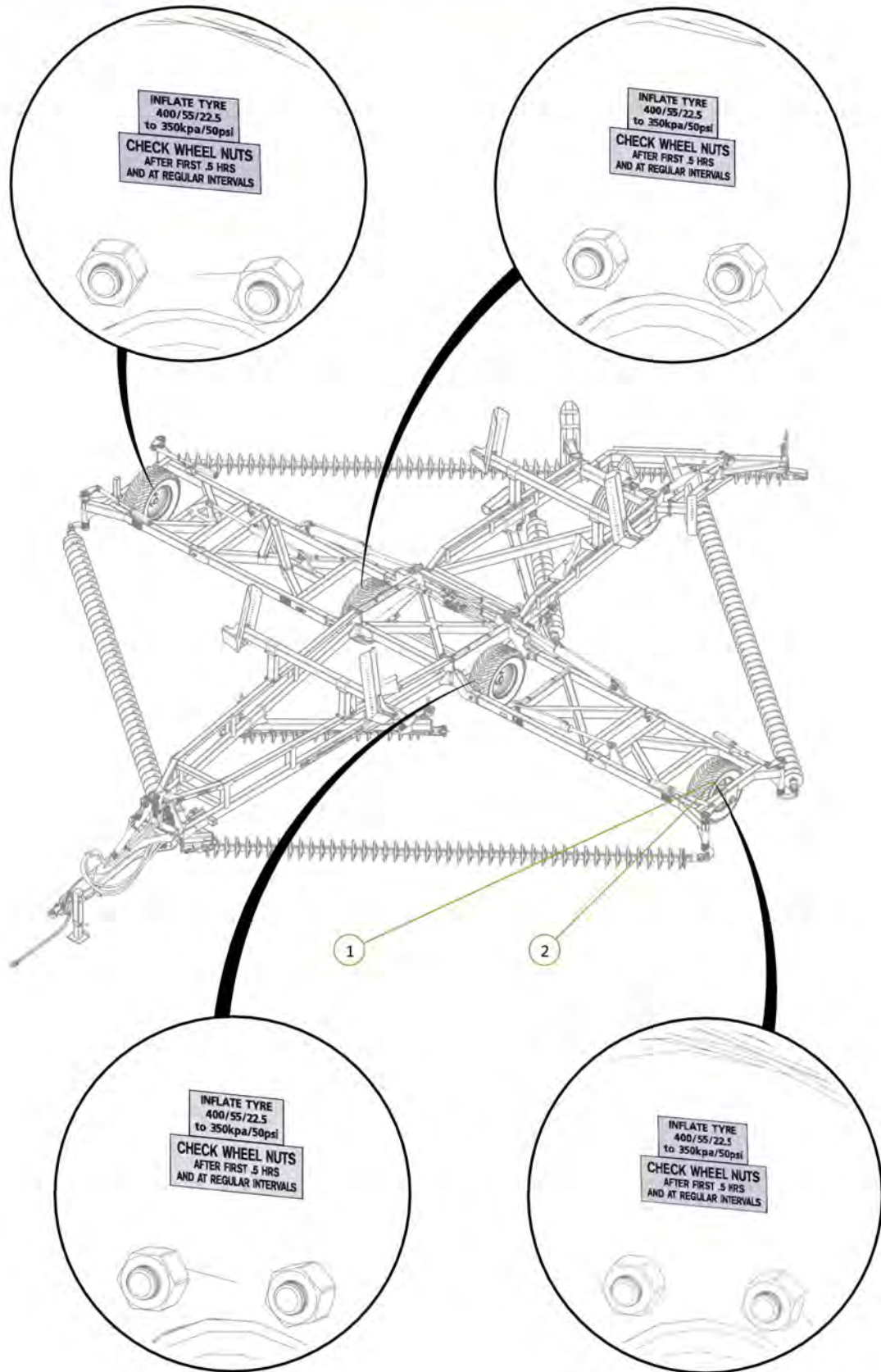




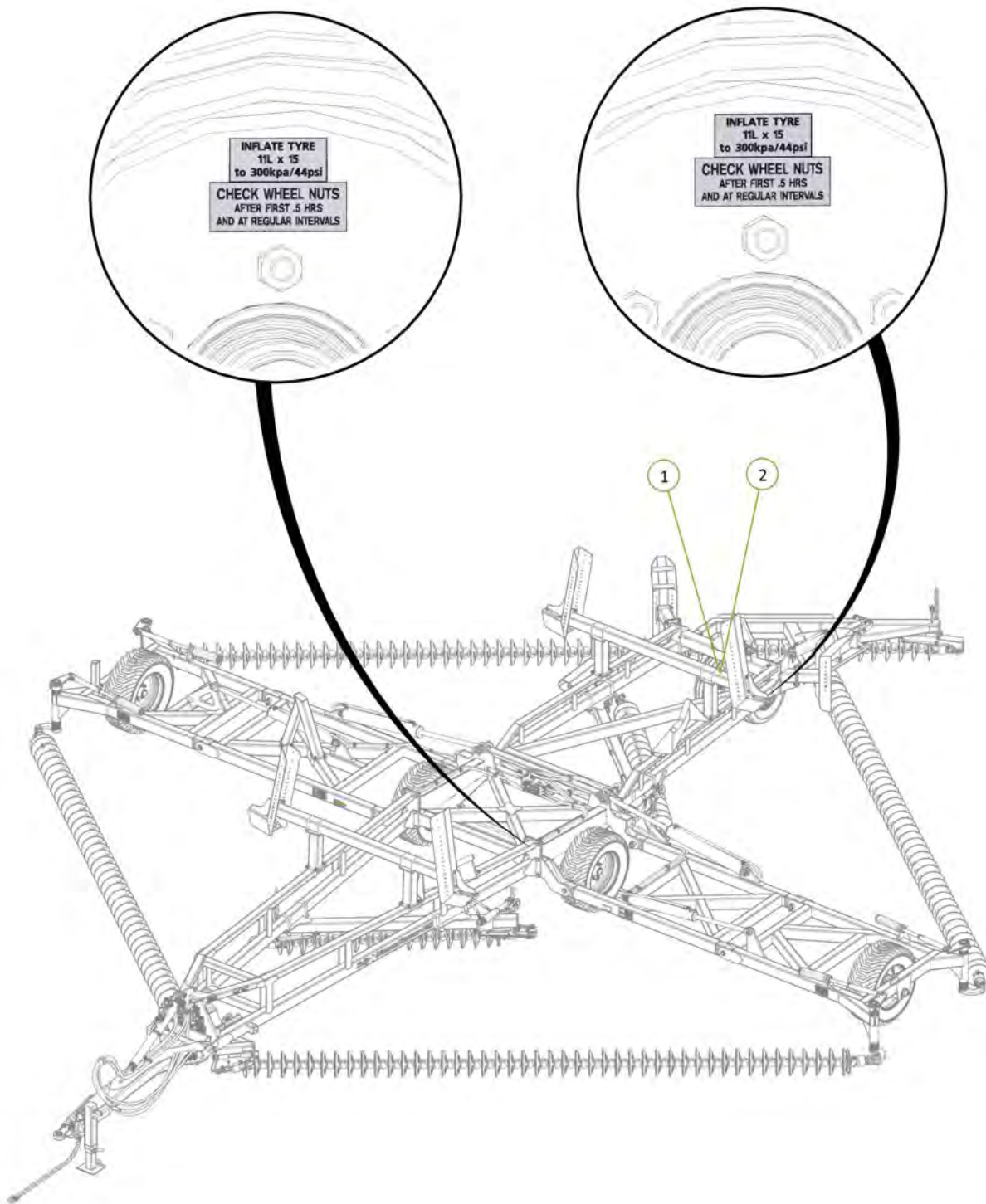
Item No.	Description	Qty	Number
1	Danger Crush Hazard Decal	1	0801-S3
2	Yellow Reflective Decal	2	0801-SYRF



Item No.	Description	Qty	Number
1	Decal, 400/55/22.5 Tyre Inflation	4	0801-S8-400-55-22.5
2	Wheel Nut Decal	4	0801-S9



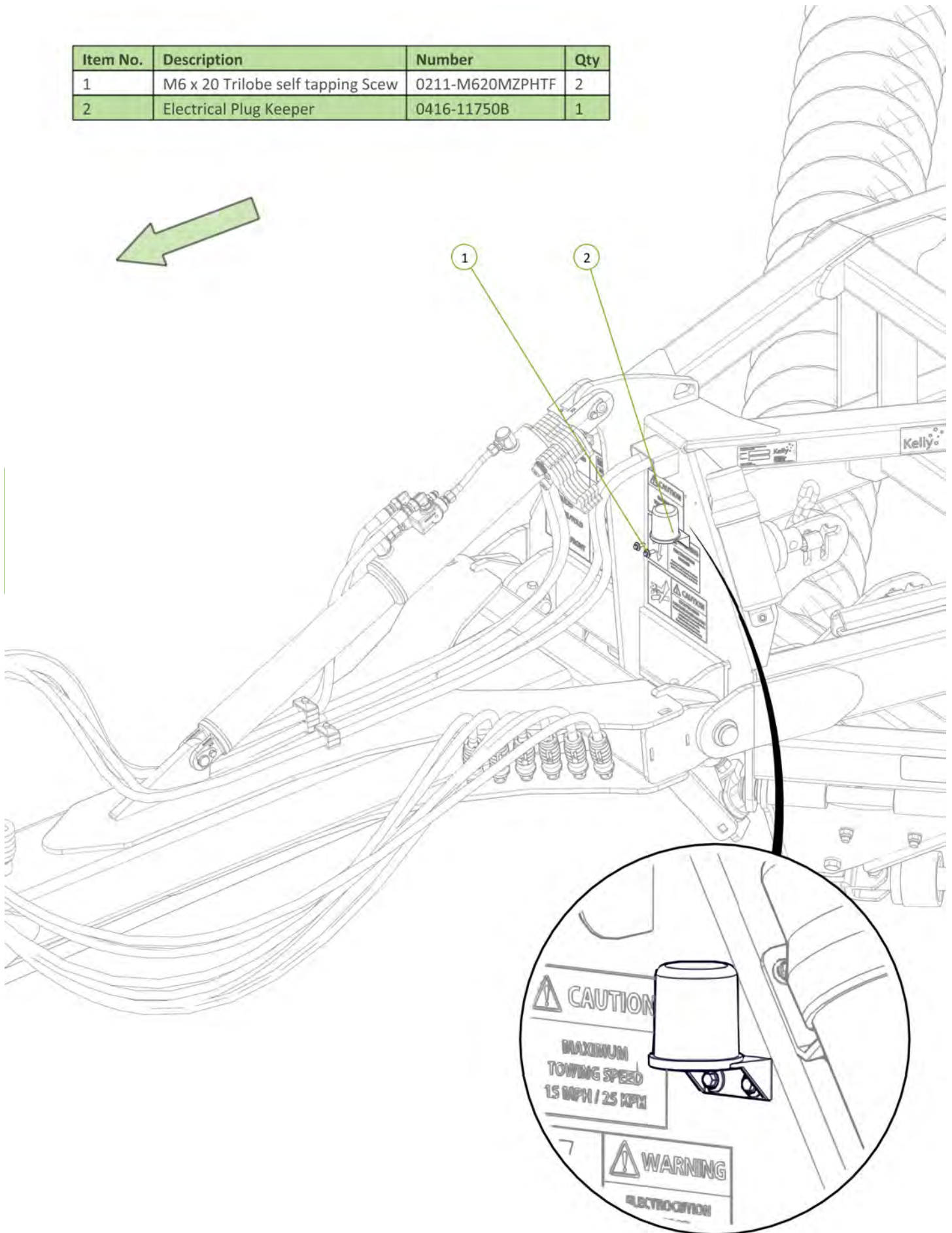
Item No.	Description	Qty	Number
1	Decal, 11L-15 Tyre Inflation	2	0801-S8-11L-15
2	Wheel Nut Decal	2	0801-S9

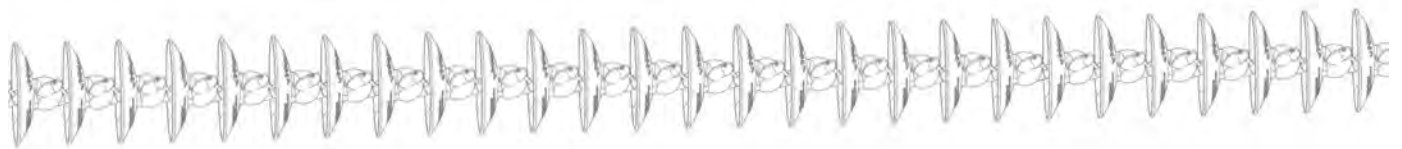
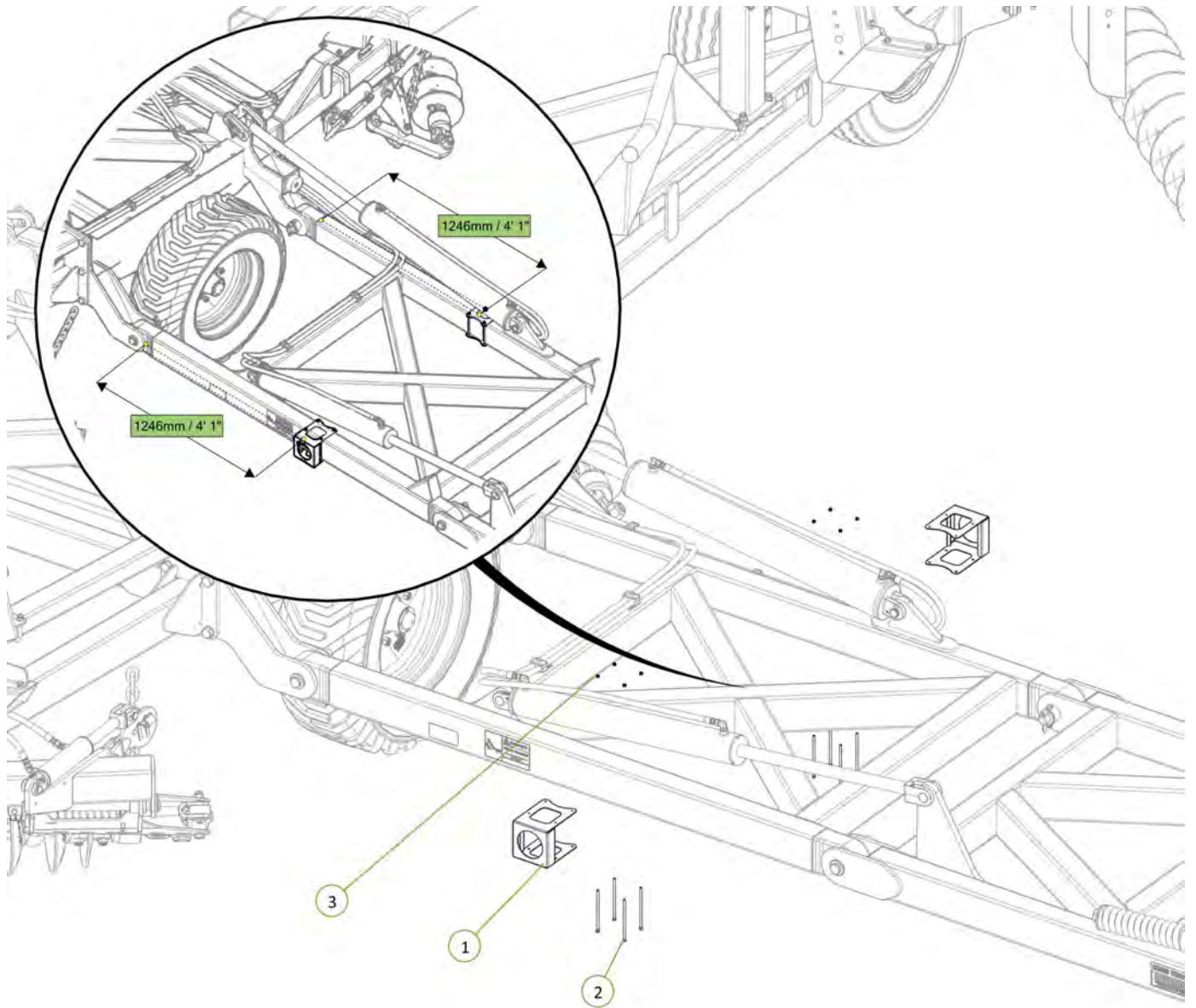


# Section 4

## Light Kit

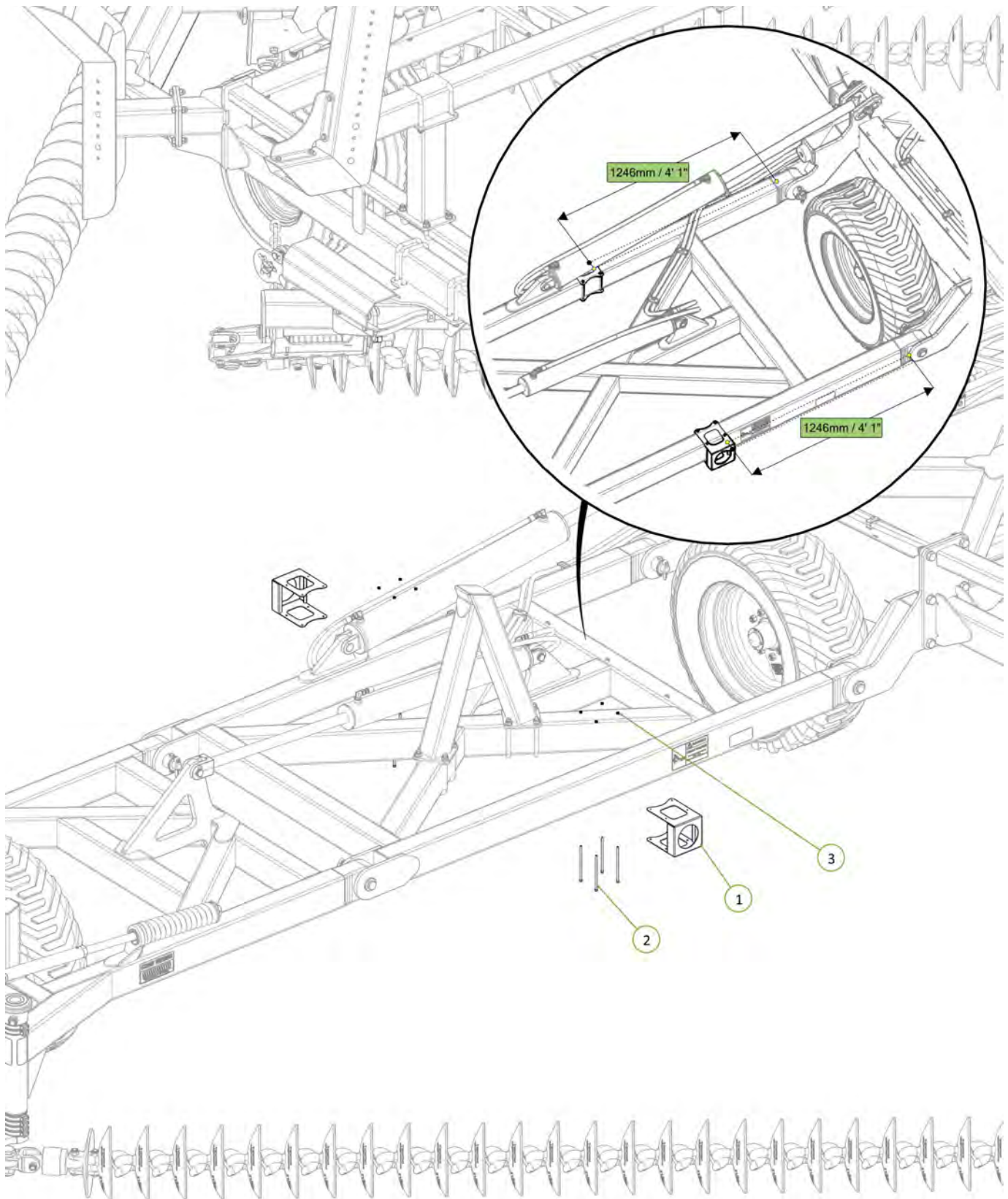
Item No.	Description	Number	Qty
1	M6 x 20 Trilobe self tapping ScREW	0211-M620MZPHTF	2
2	Electrical Plug Keeper	0416-11750B	1





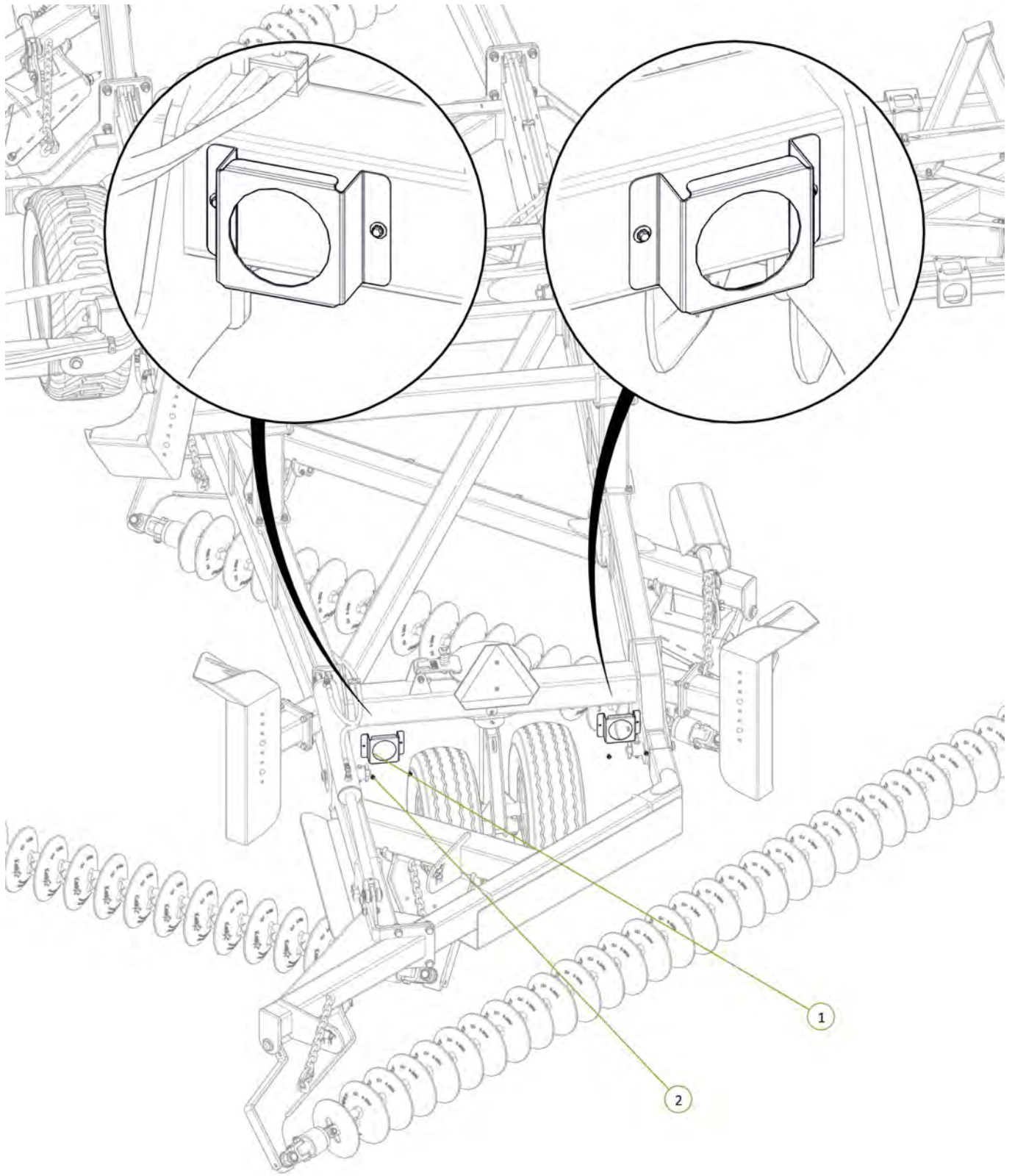
Item No.	Description	Number	Qty
1	Wing light bracket	0800-296	2
2	Socket Head Bolt M6 x 170 zp	0211-SH6170	8
3	Nyloc Nut M6	0221-NYL6	8





Item No.	Description	Number	Qty
1	Wing light bracket	0800-296	2
2	Socket Head Bolt M6 x 170 zp	0211-SH6170	8
3	Nyloc Nut M6	0221-NYL6	8

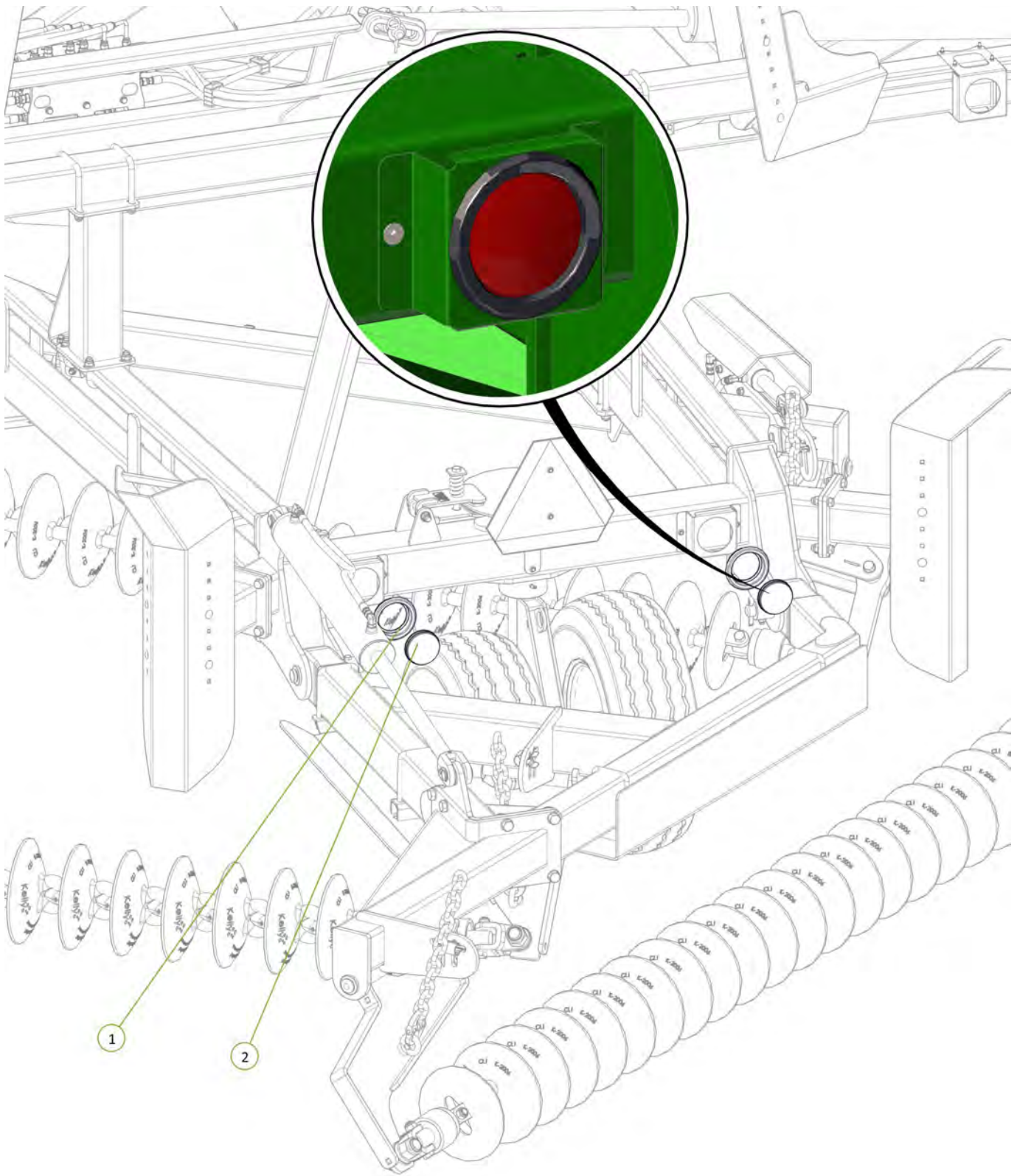




Item No.	Description	Number	Qty
1	US Tail Light Bracket	0800-194.1	2
2	M6 x 20 Trilobe self tapping Scew	0211-M620MZPHTF	4

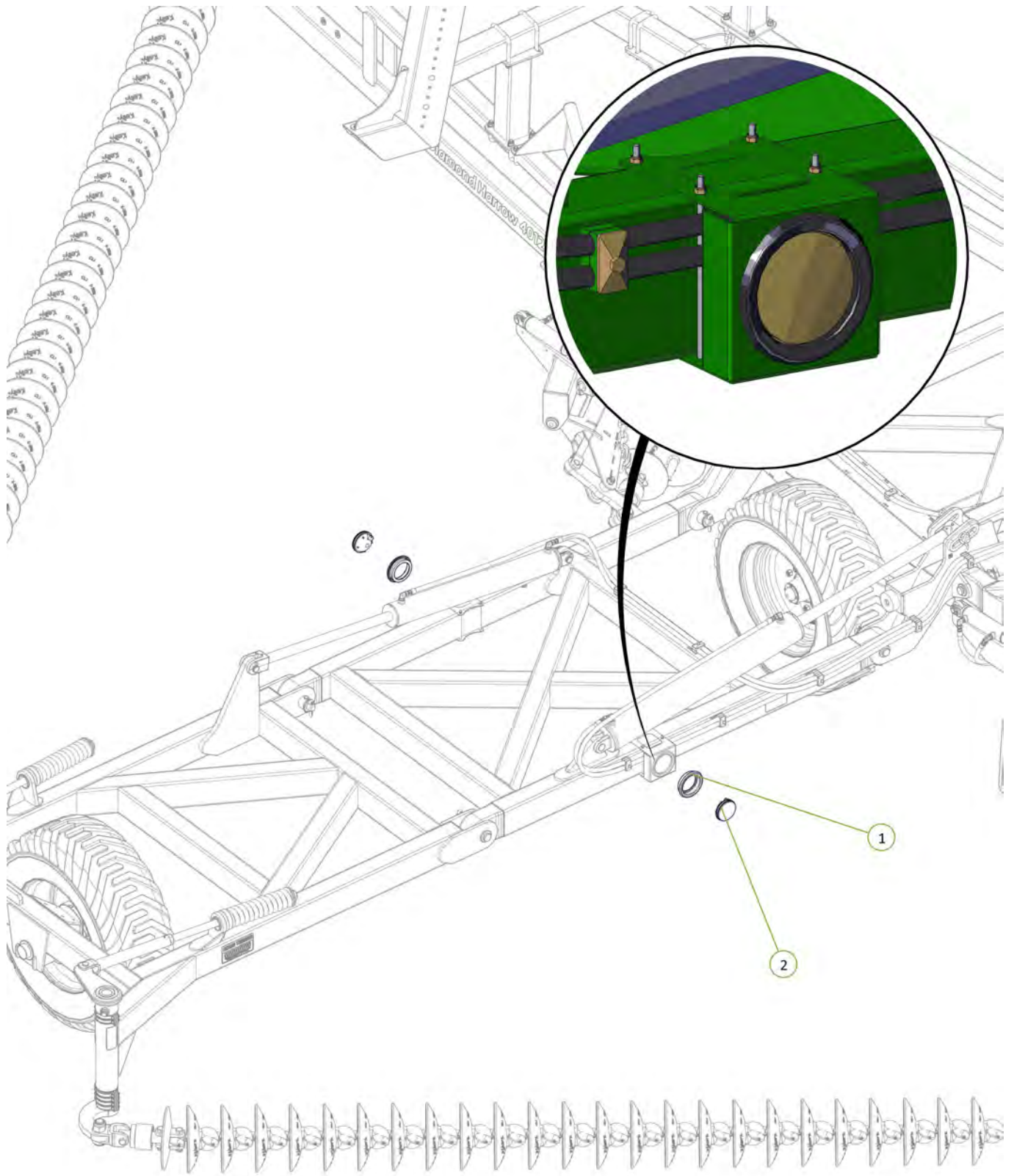






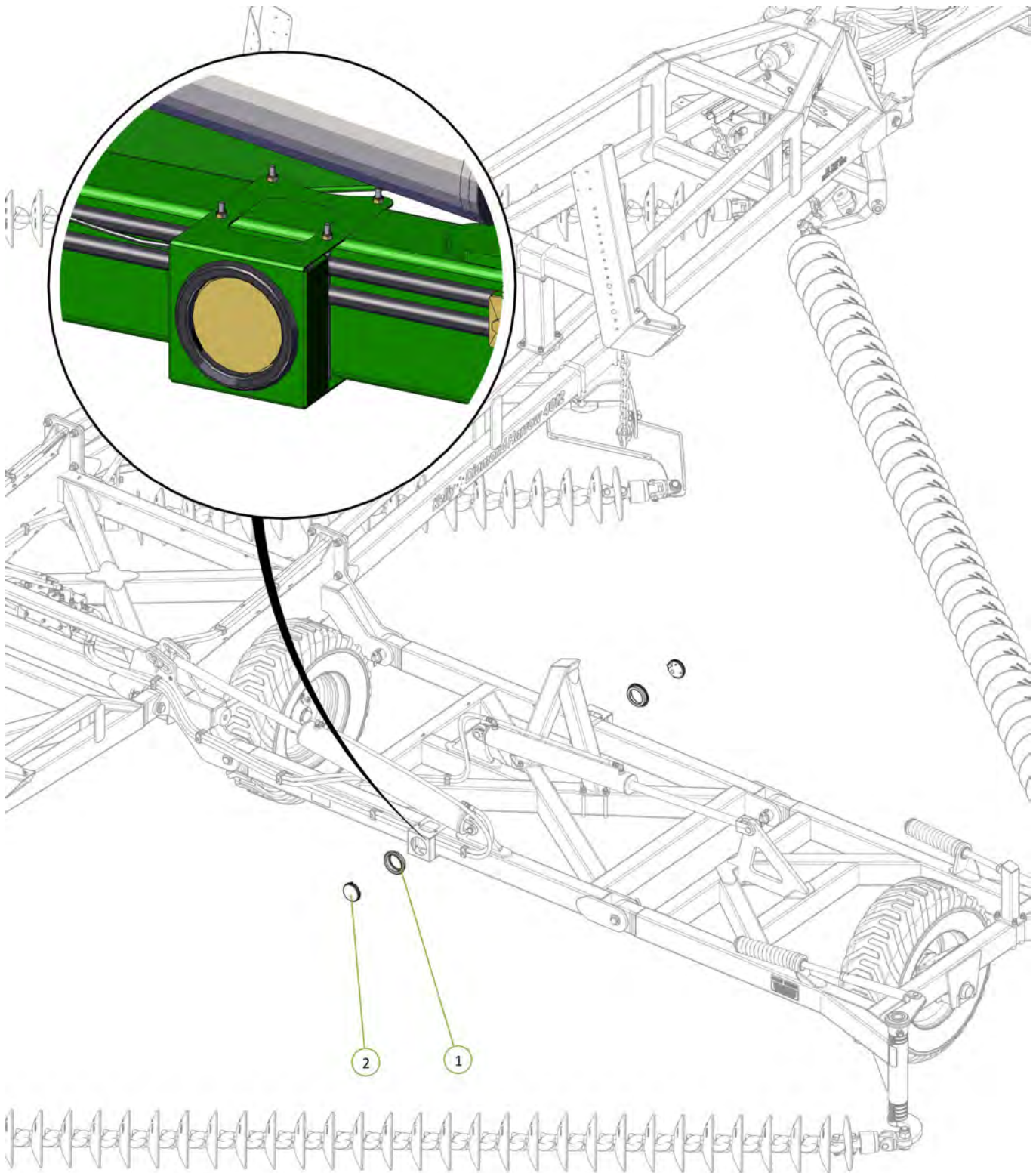
Item No.	Description	Number	Qty
1	110RM Rubber Grommet	0412-53101RG	2
2	LED Stop Tail Lamp	0412-LED110RM	2



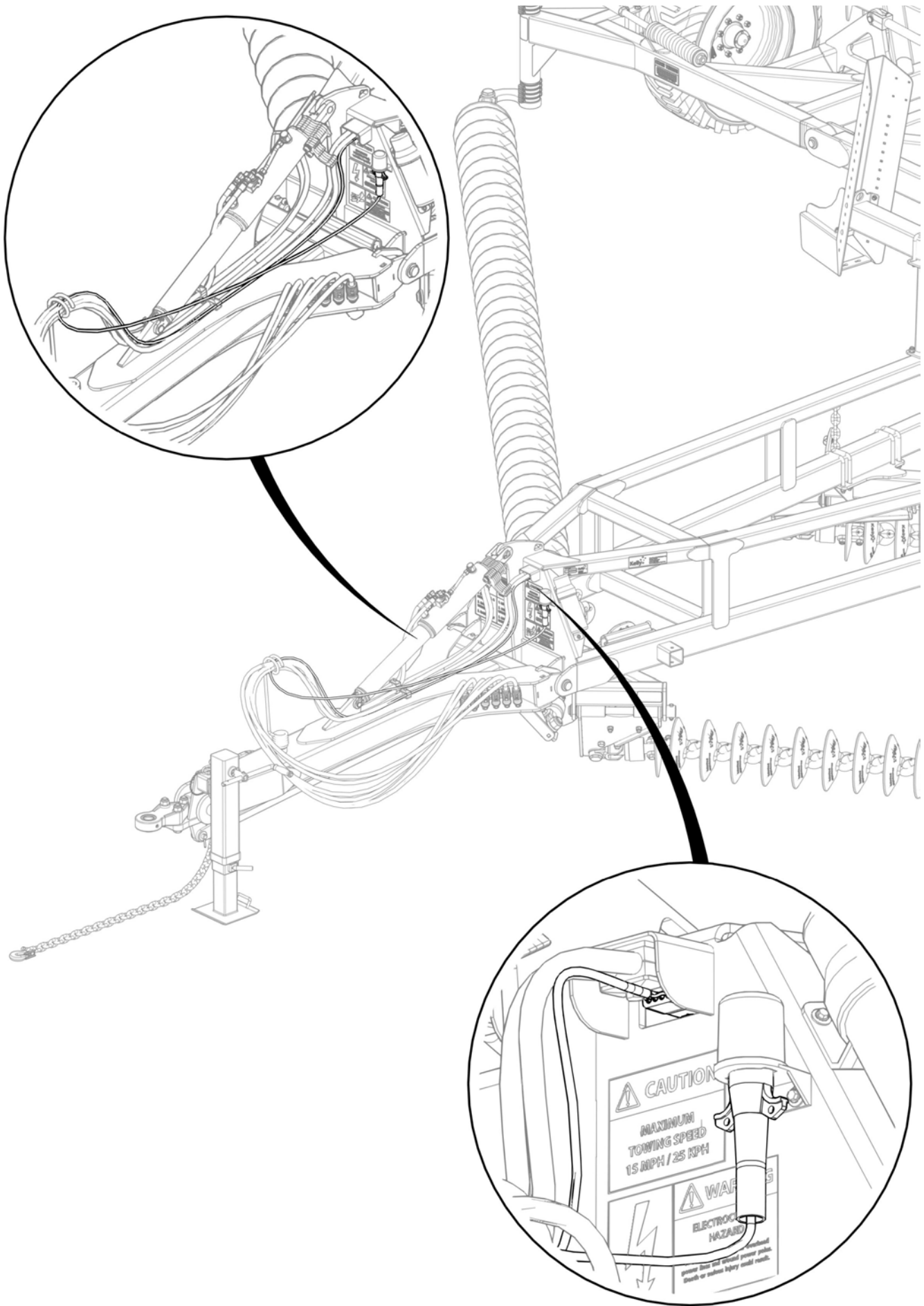


Item No.	Description	Number	Qty
1	110RM Rubber Grommet	0412-53101RG	2
2	LED Rear Indicator Lamp	0412-LED110AM	2

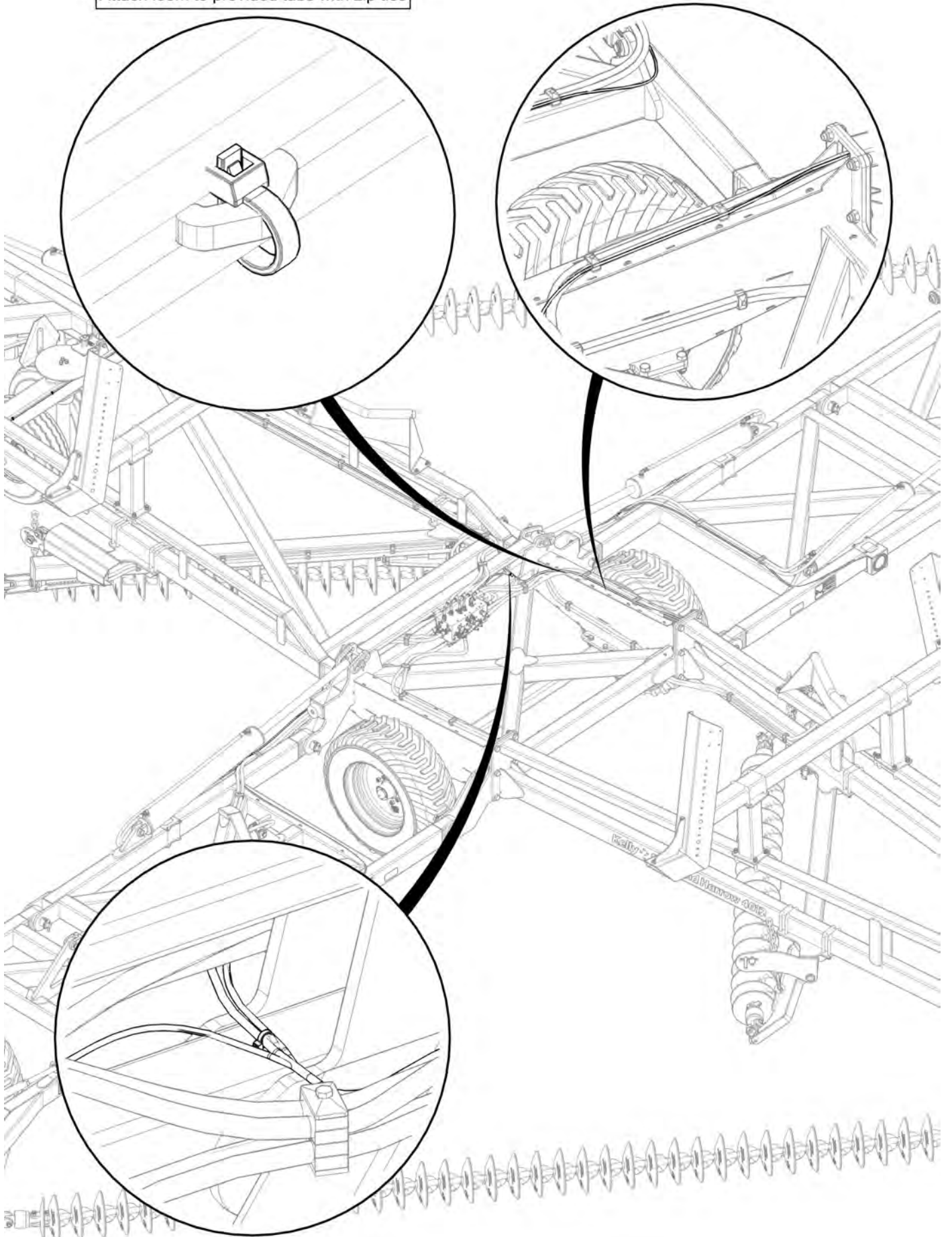


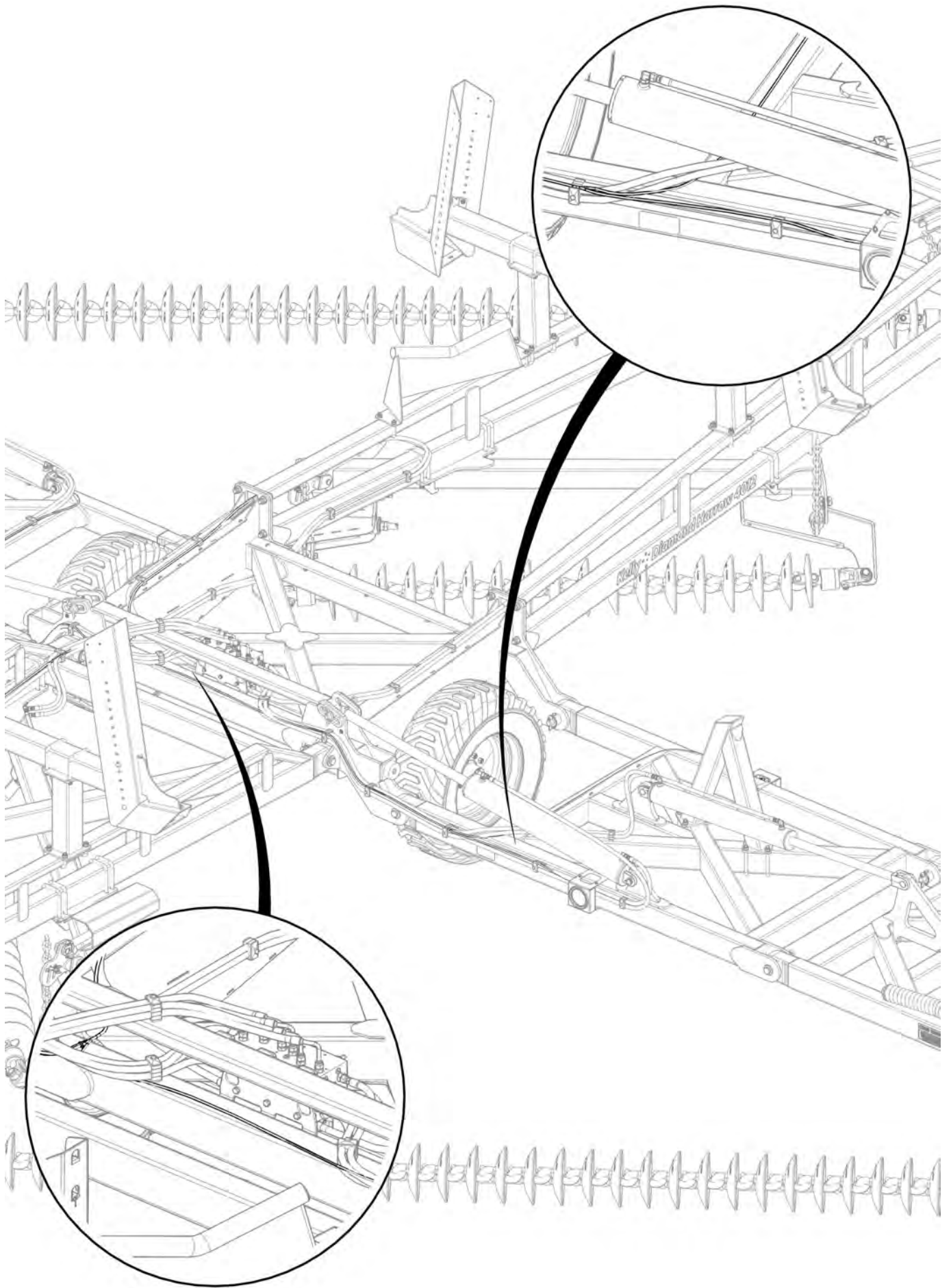


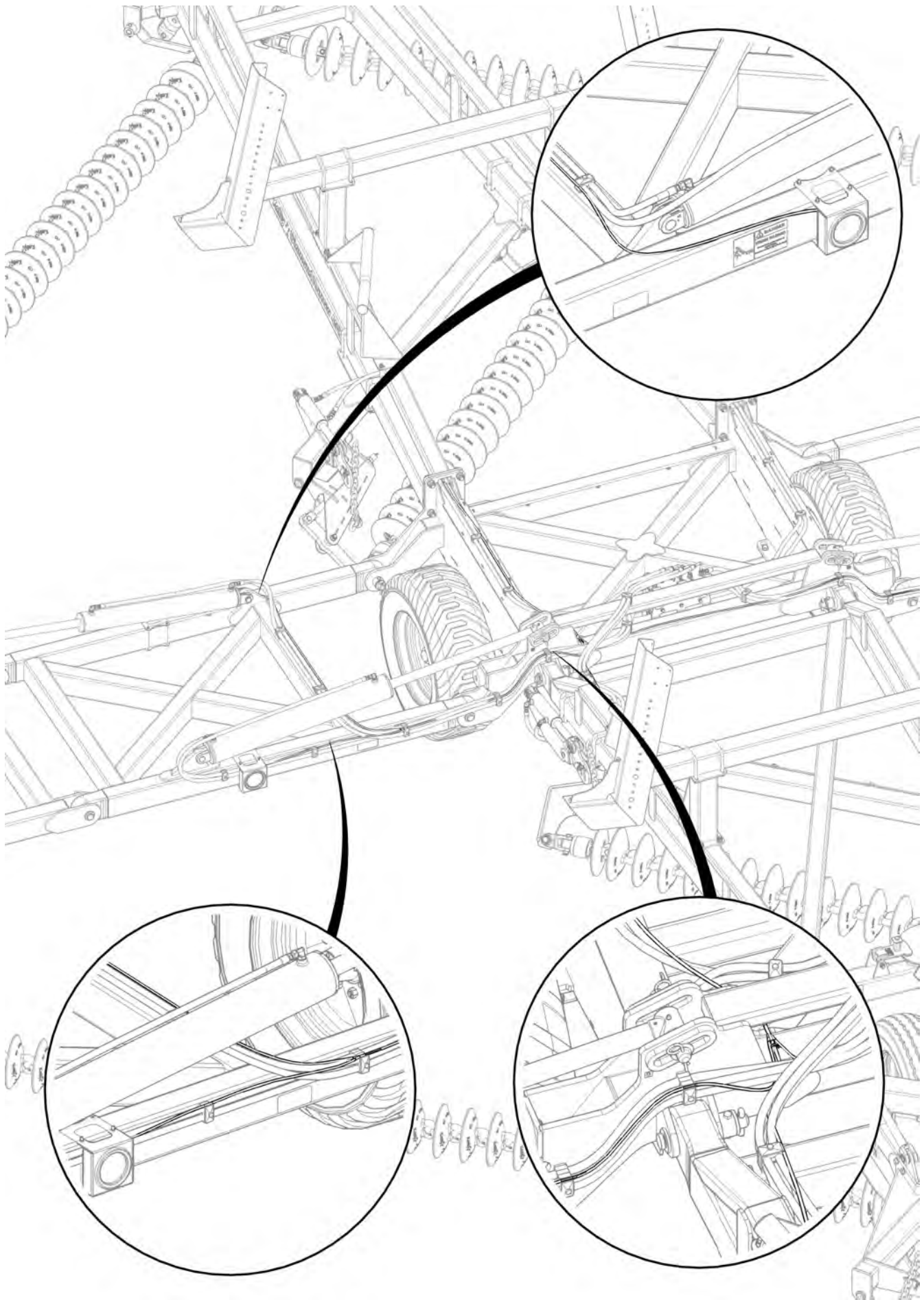
Item No.	Description	Number	Qty
1	110RM Rubber Grommet	0412-53101RG	2
2	LED Rear Indicator Lamp	0412-LED110AM	2

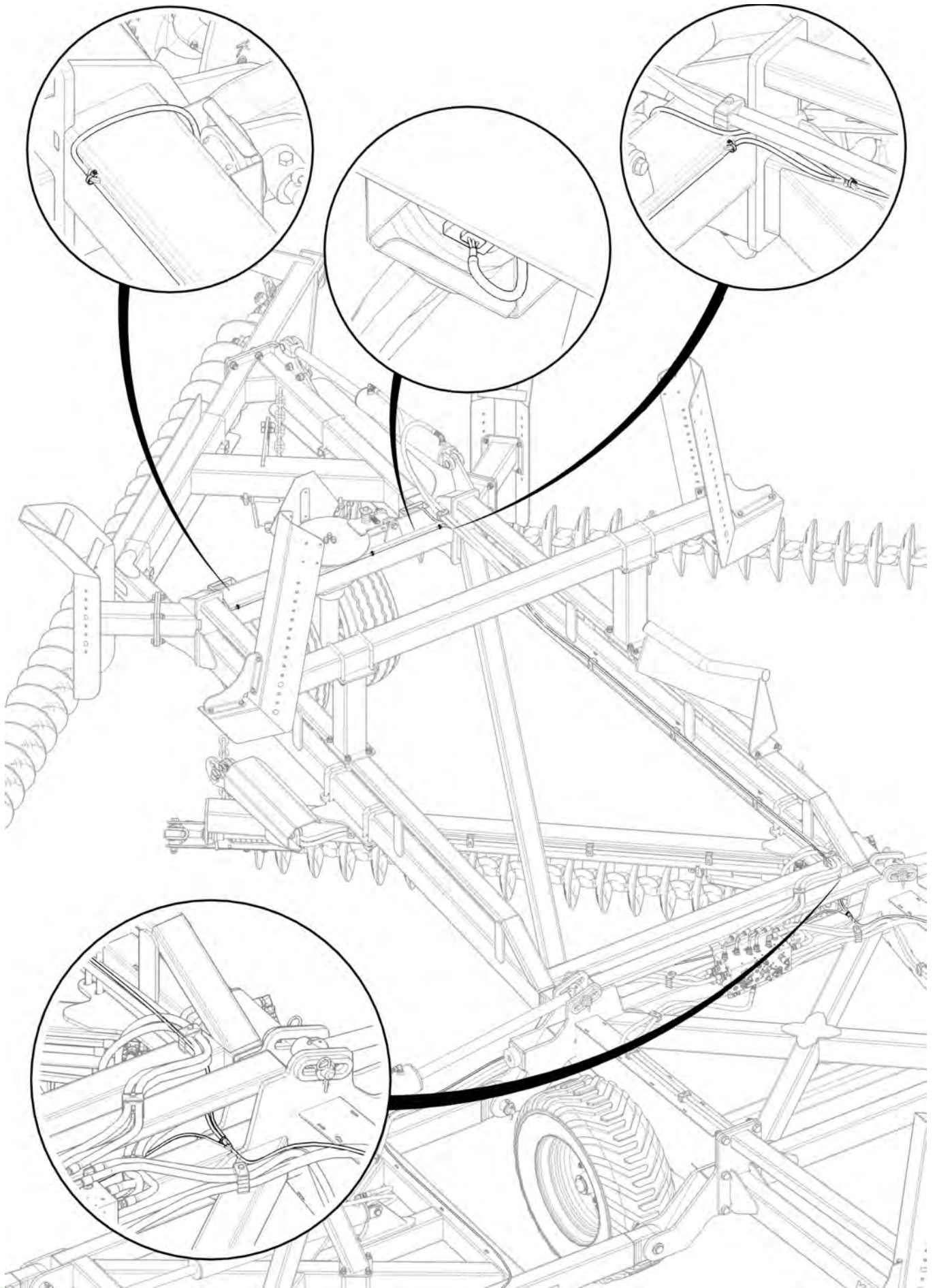


Attach loom to provided tabs with zip ties

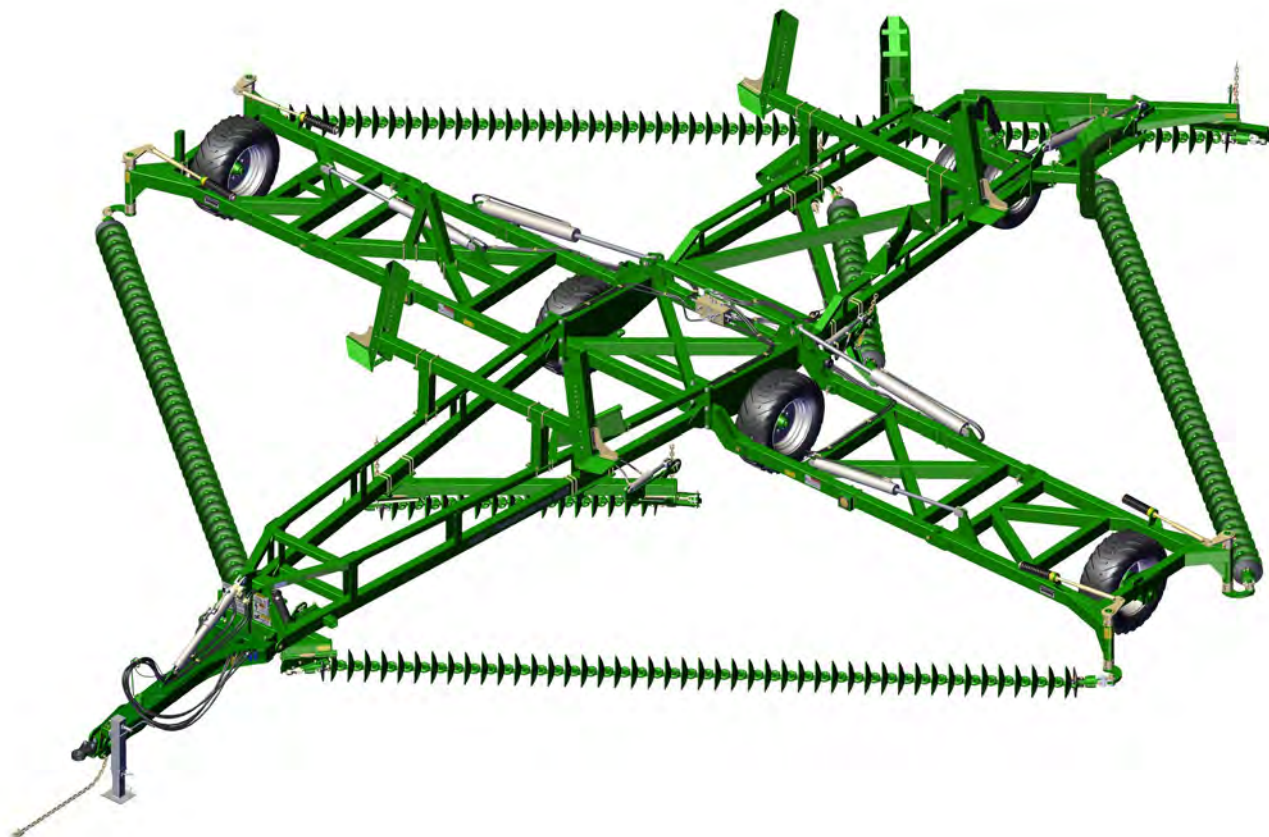






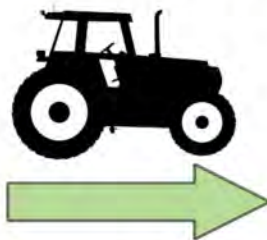
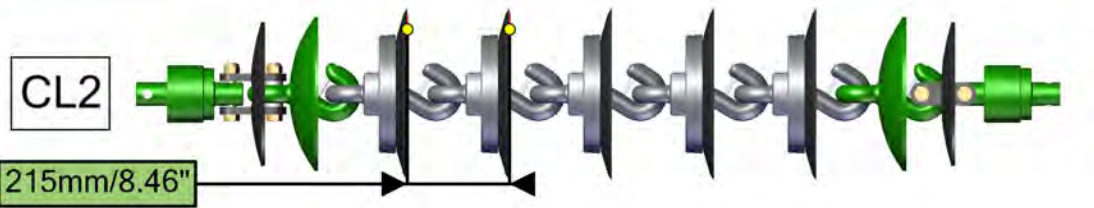




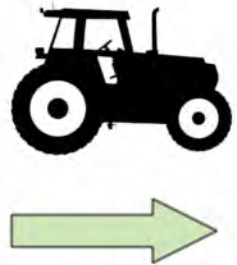


# Section 5

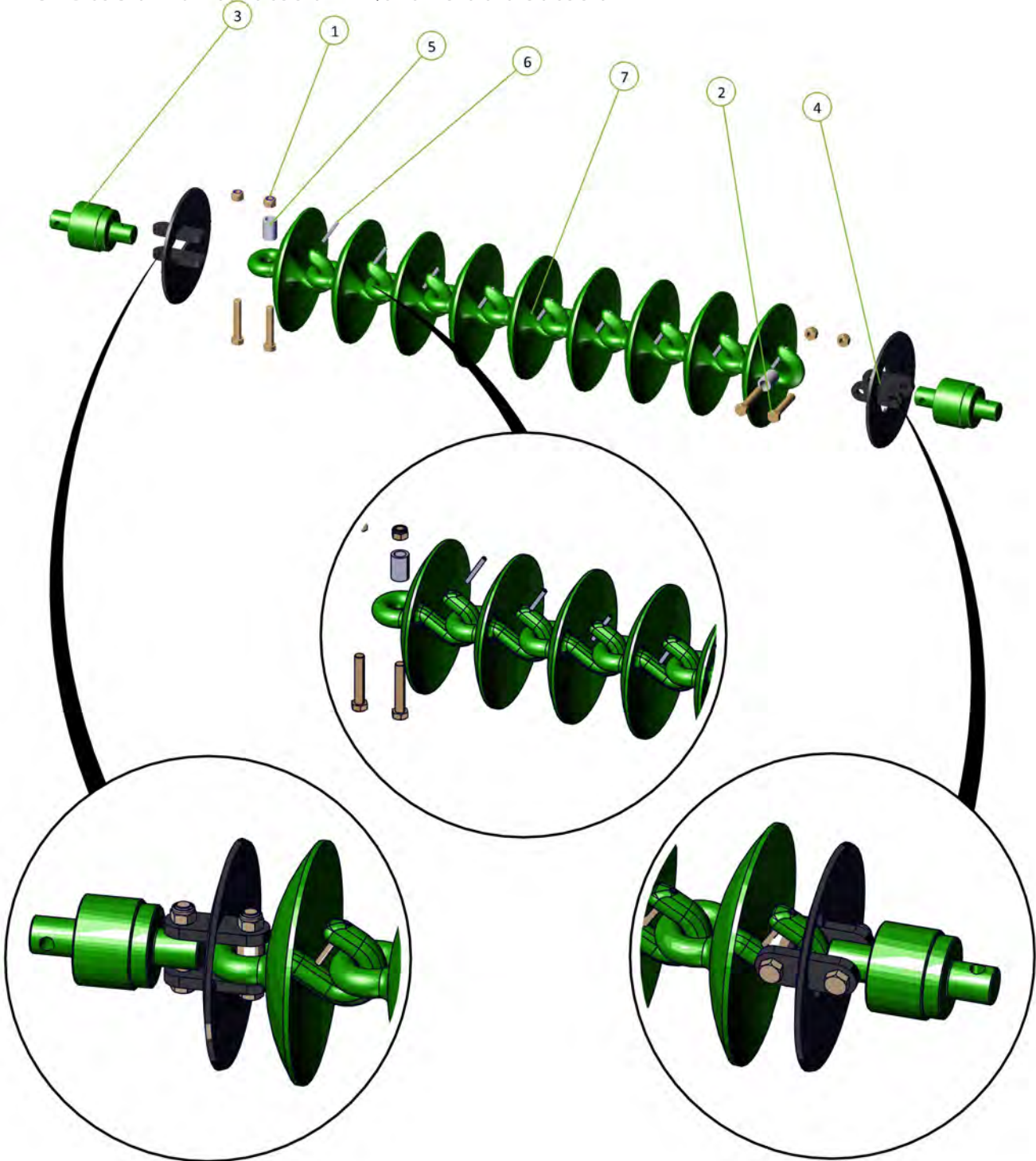
## Chain Assembly



Item No.	Description	Number	Qty
1	Nyloc Nut M20/24	0221-NYL20/24	4
2	M20 x 110 / M24 x 120 grade 10.9 ZP Short Thread Bolt	0211-20110ST/0211-24120ST	4
3	20/24mm Bolt Swivel Unit	0802-PCHB55 / 0802-PCHB553	2
4	Disc Chain Tie Plate Link 20mm / 24mm	0802-DCTP-20 / 0802-DCTP-24	2
5	Tie Plate Bush	0801-PCDCS55	2
6	Roll Pin Zinc Plated 3/8" x 3"	0262-3-8X3	1
7	CL1-B Chain Disc Link	0803-CL1	1



For correct chain tension, chain links may need to be removed from the end of the chain as follows:  
 CL1 Disc Chain - unhook disc chain link/s from end of the disc chain

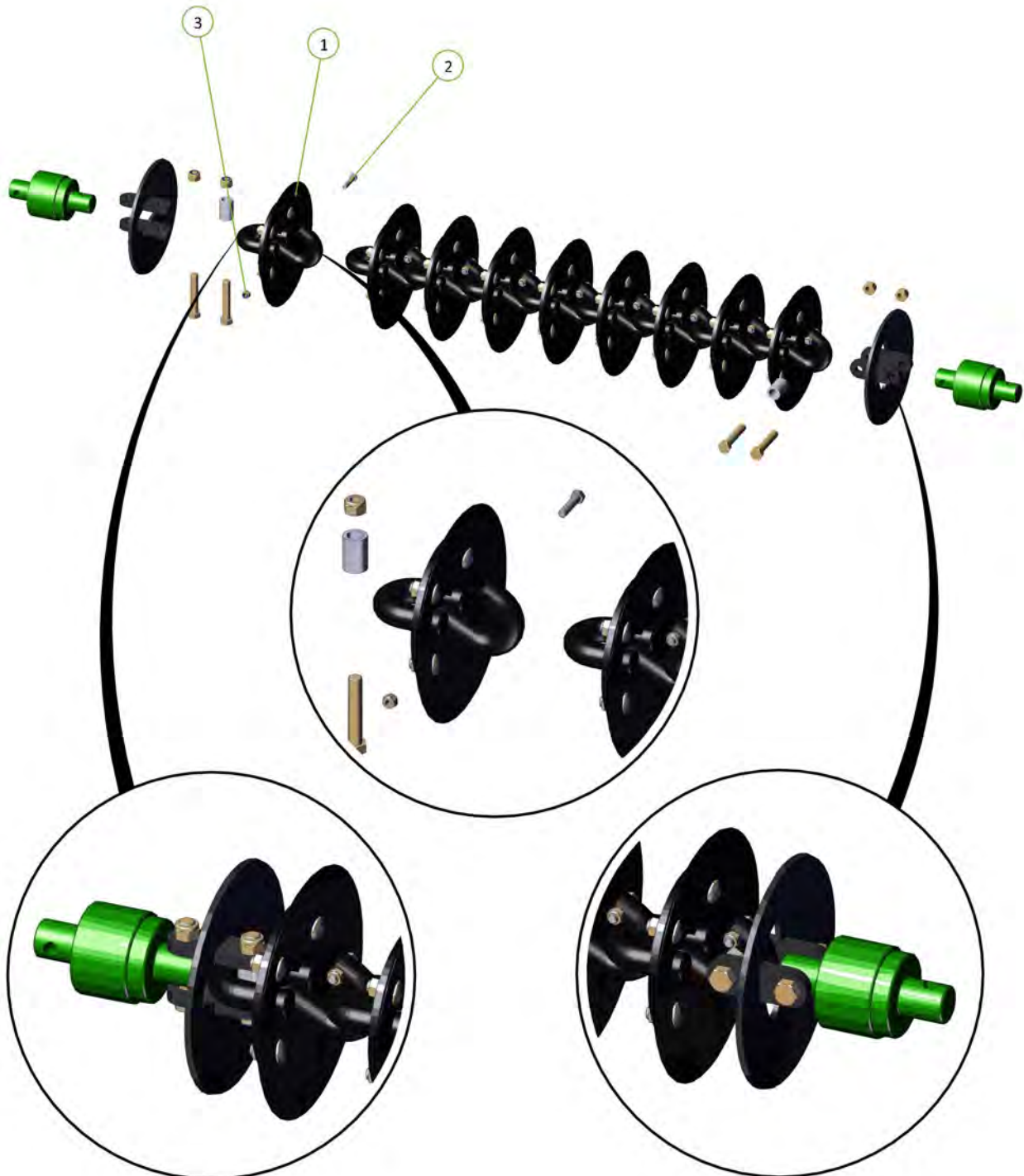


Item No.	Description	Number	Qty
1	K4-50 Disc Assembly 4/50/25/63	0803-K4-50	1
2	M12 x 55 grade 8.8 ZP Bolt	0211-1255	1
3	Nyloc Nut M12	0221-NYL12	1



For correct chain tension, chain links may need to be removed from the end of the chain as follows:

K4 Disc Chain - unhook disc chain link/s from end of the disc chain

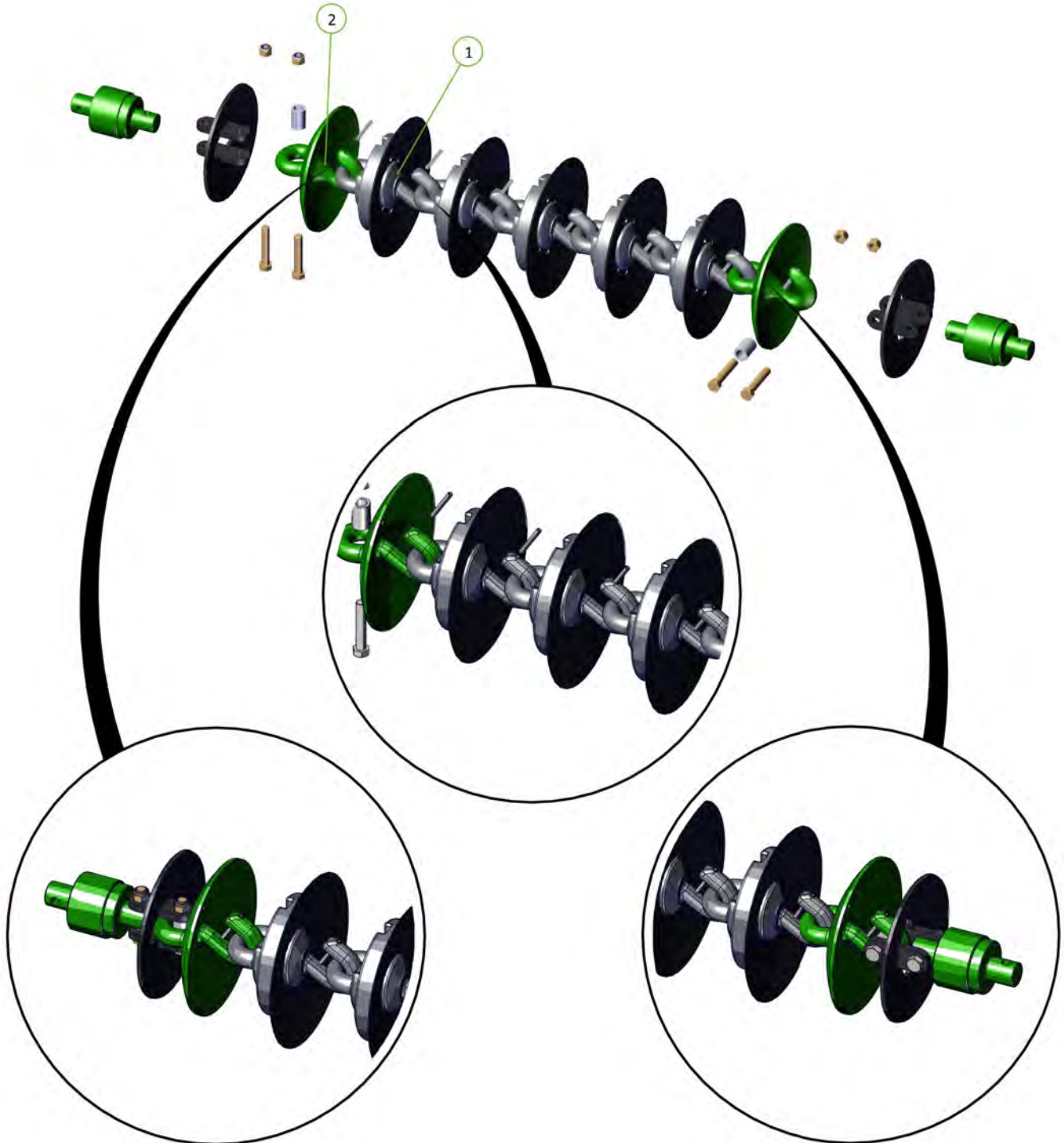


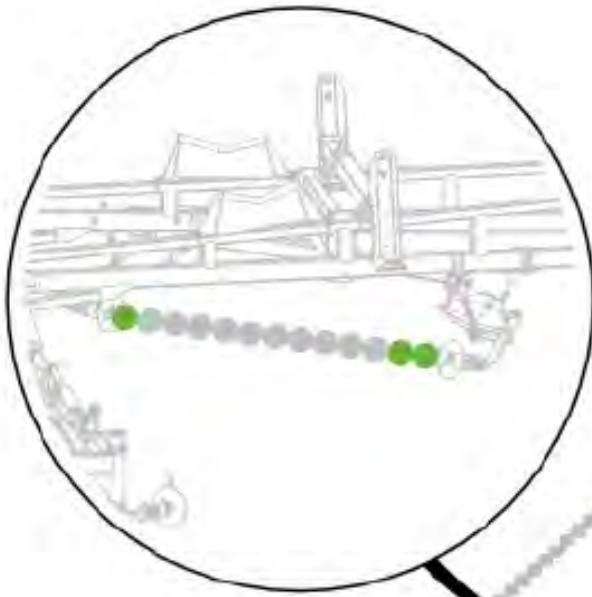
Item No.	Description	Number	Qty
1	0803-CL2-Link Assembly	0803-CL2	1
2	CL1-B Chain Disc Link	0803-CL1	1



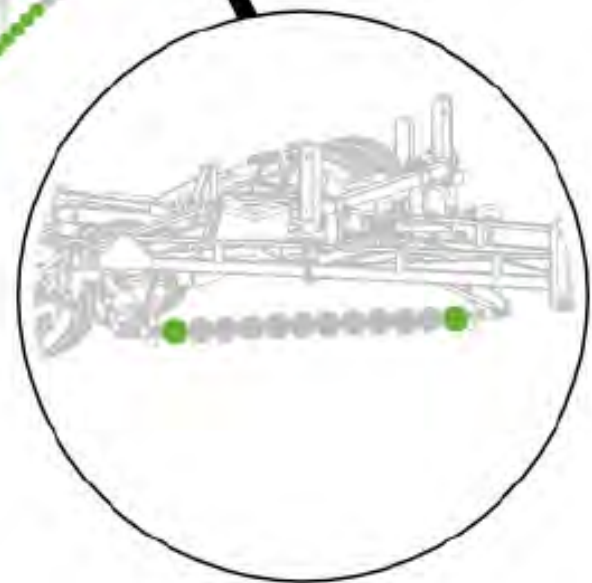
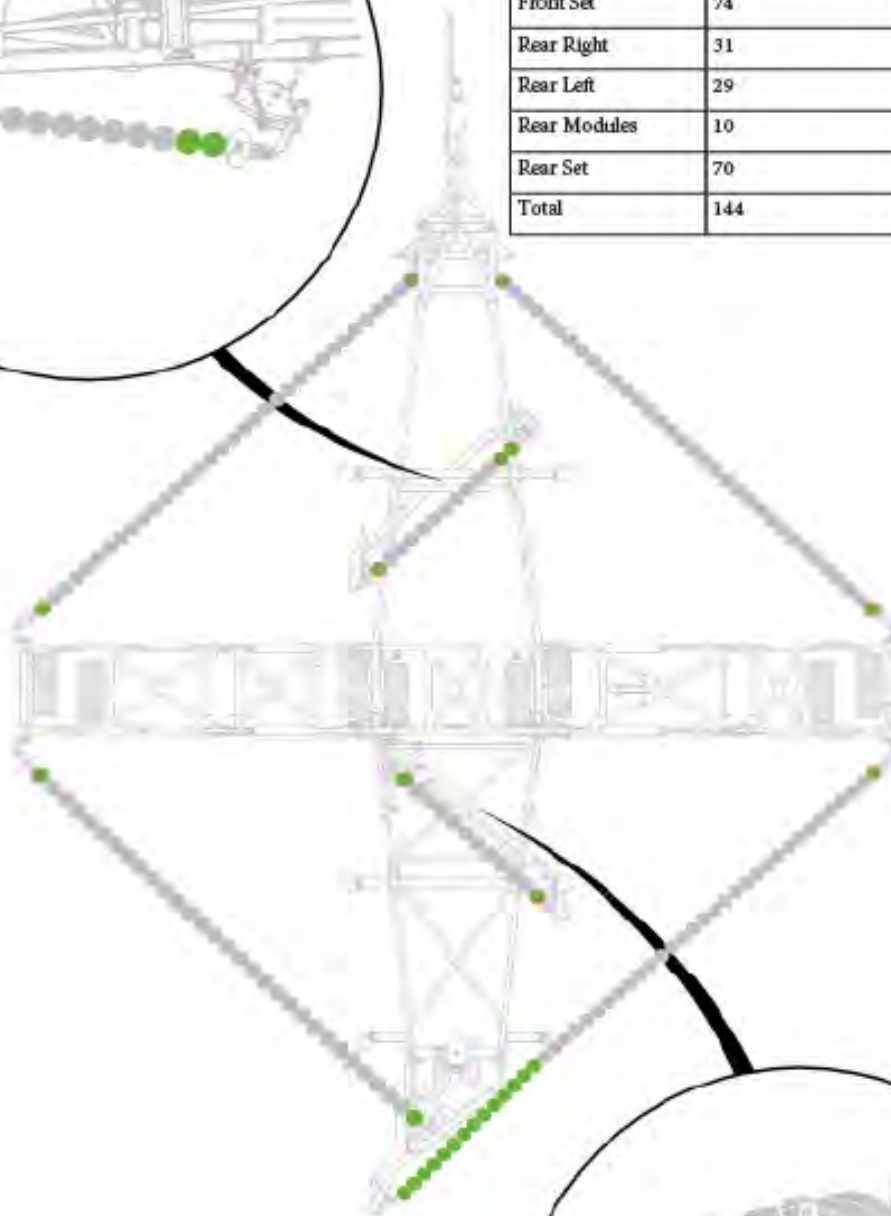
For correct chain tension, chain links may need to be removed from the end of the chain as follows:

CL2 Disc Chain - unhook disc chain link/s from end of the disc chain





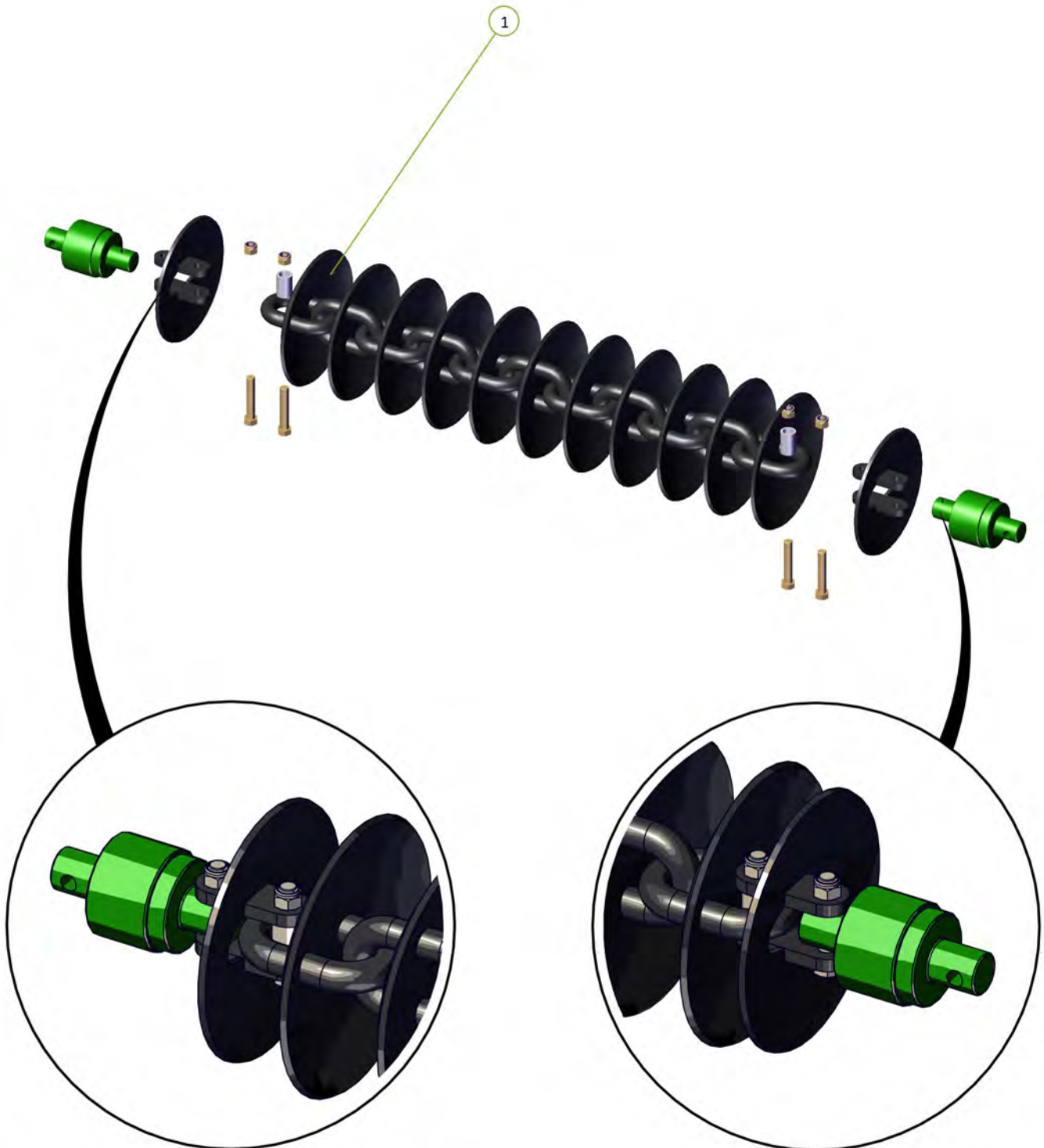
Set	CL2	CL1
Front Left	32	2
Front Right	32	2
Front Modules	10	3
Front Set	74	7
Rear Right	31	15
Rear Left	29	2
Rear Modules	10	2
Rear Set	70	19
Total	144	26



Item No.	Description	Number	Qty
1	R300 Chain Link	0803-R300	1

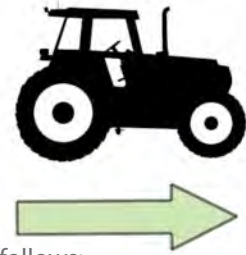


For correct chain tension, chain links may need to be removed from the end of the chain as follows:  
 R300 Disc Chain - cut a disc chain link from the end of the disc chain

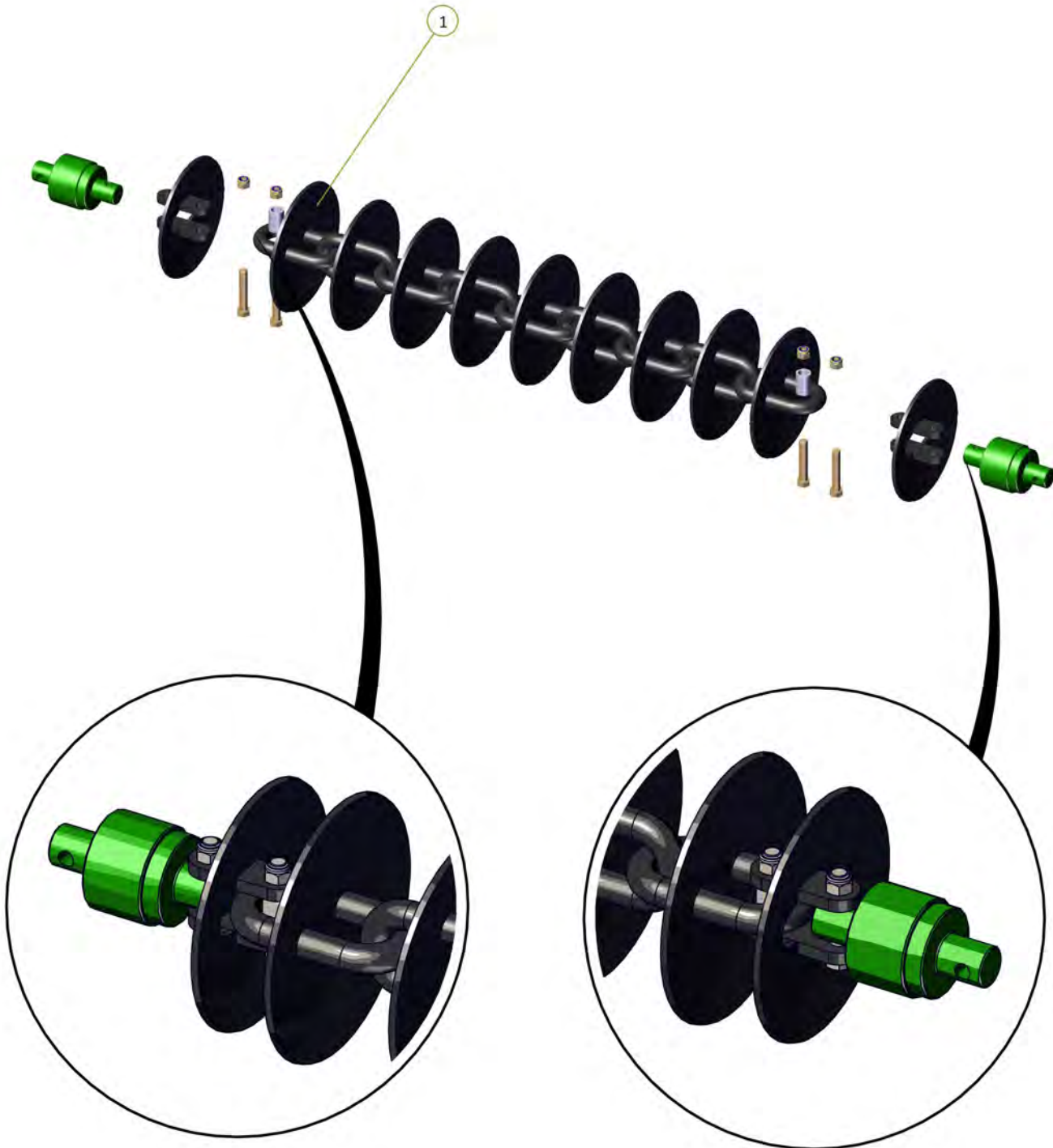




Item No.	Description	Number	Qty
1	W36/25 Chain Link	0803-W36	1



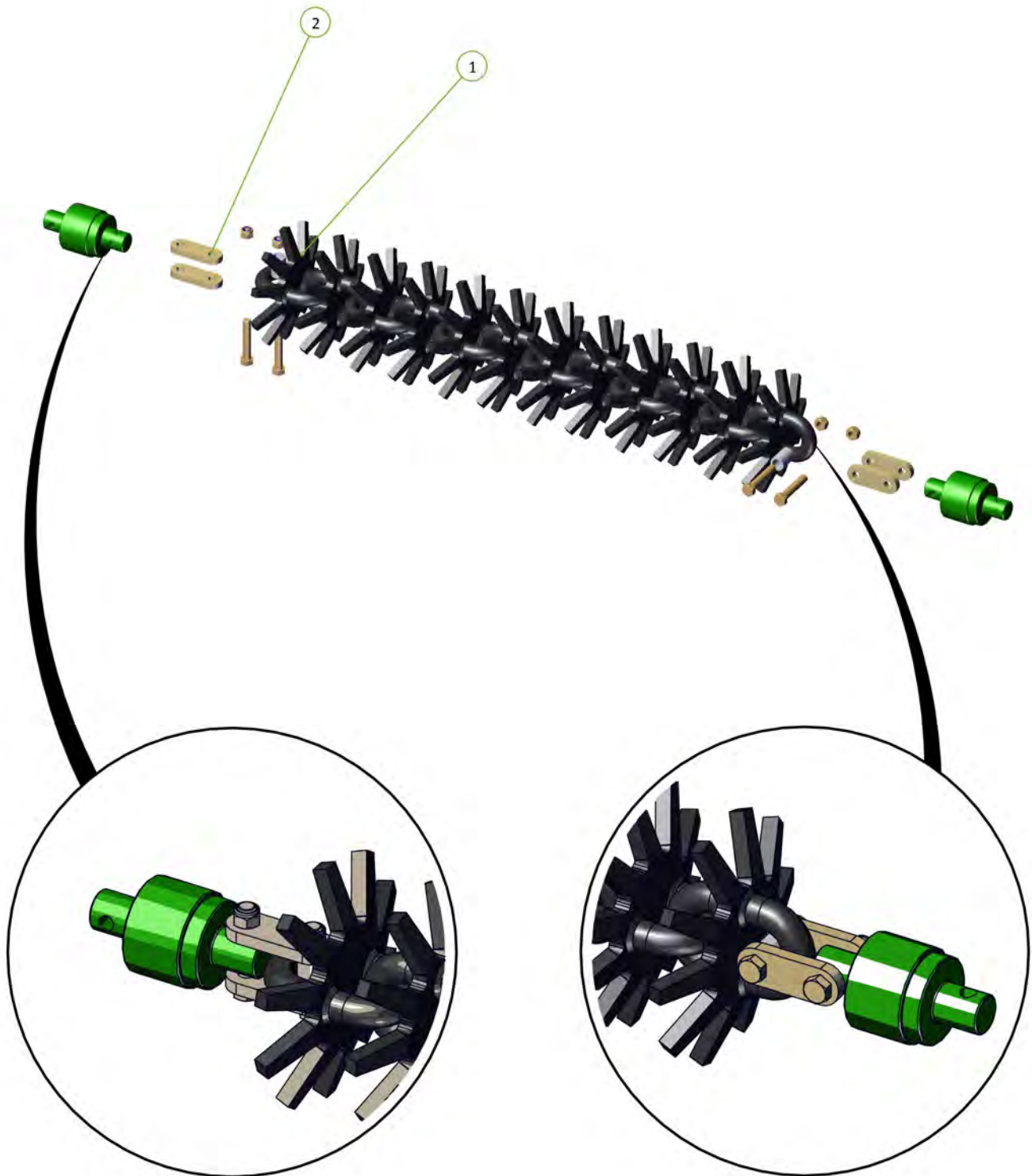
For correct chain tension, chain links may need to be removed from the end of the chain as follows:  
 W36 Disc Chain - cut a disc chain link from the end of the disc chain



Item No.	Description	Number	Qty
1	10 Spike Disc Chain 49/27/5	0803-SD49	1
2	Tie Plate For 20mm Bolt/ Tie Plate For 24mm Bolt	0800-83.2 / 0800-83.3	4



For correct chain tension, chain links may need to be removed from the end of the chain as follows:  
Spiked Disc Chain - cut a disc chain link from the end of the disc chain

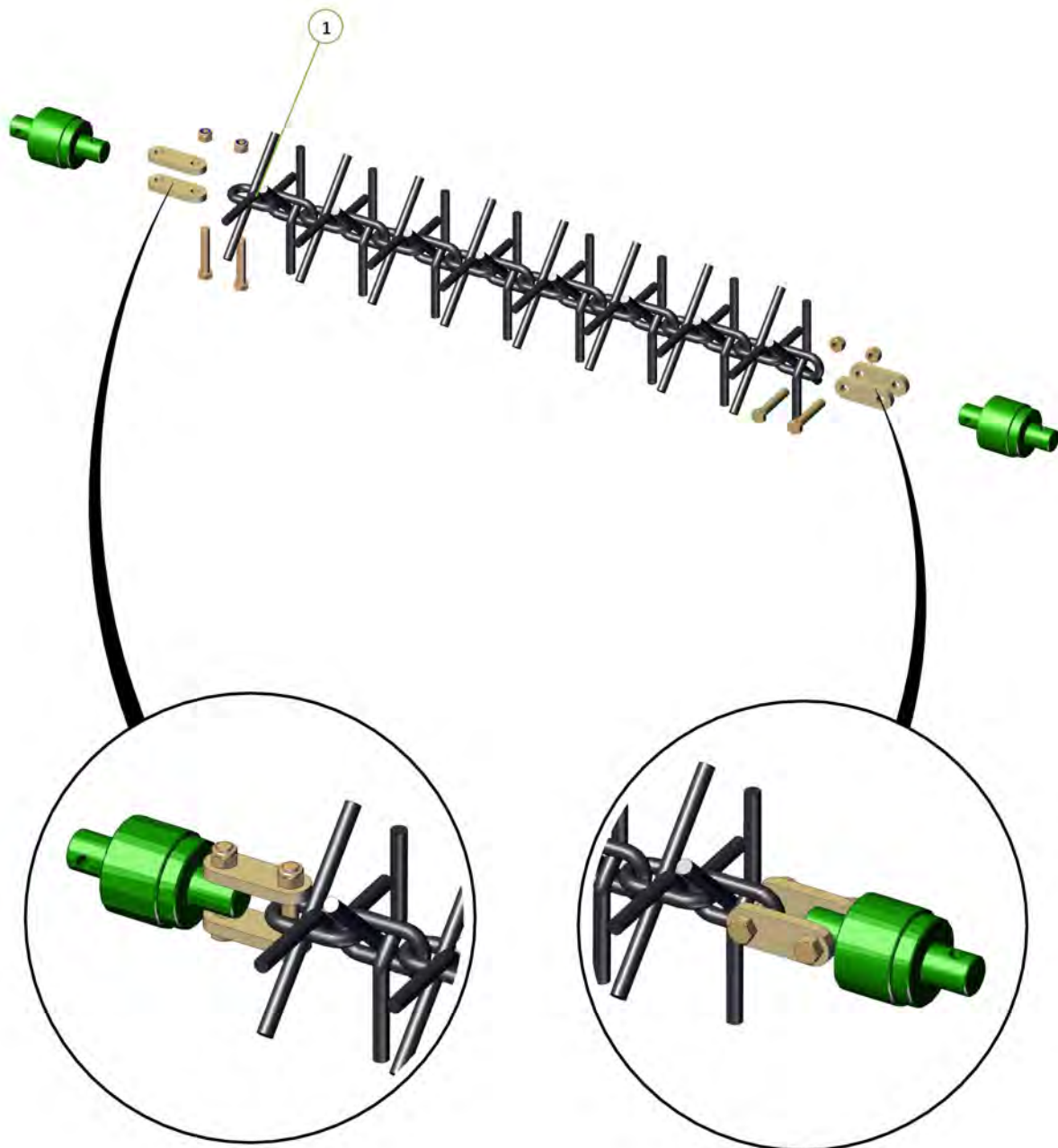




Item No.	Description	Number	Qty
1	Prickle Chain Link	0803-PCH	1

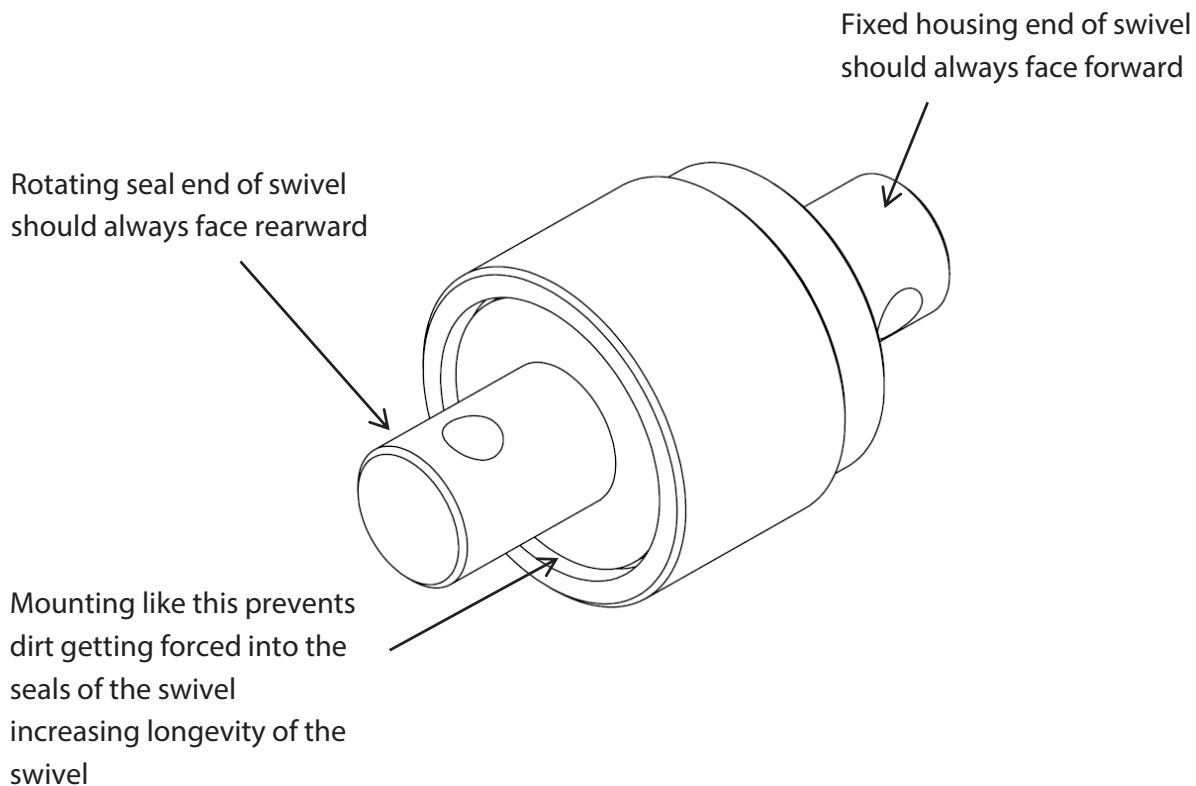
For correct chain tension, chain links may need to be removed from the end of the chain as follows:

Prickle Chain - cut a prickle chain link from the end of the prickle chain



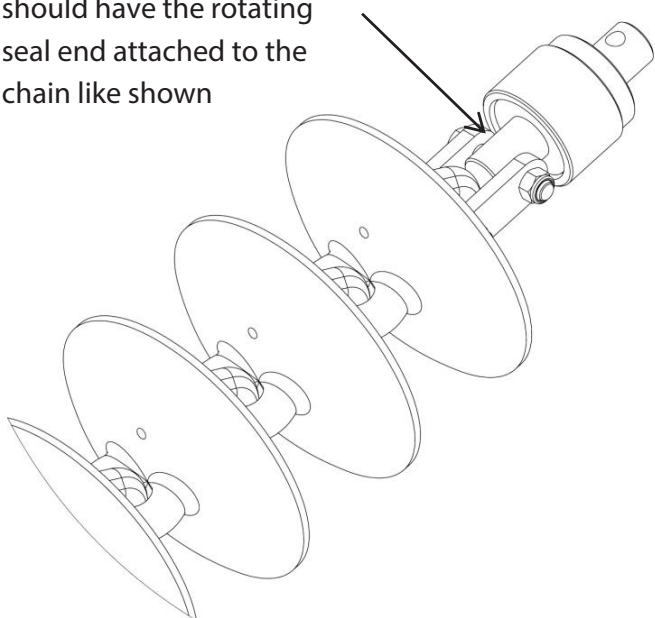
# Section 6

## Diagrams & Specifications

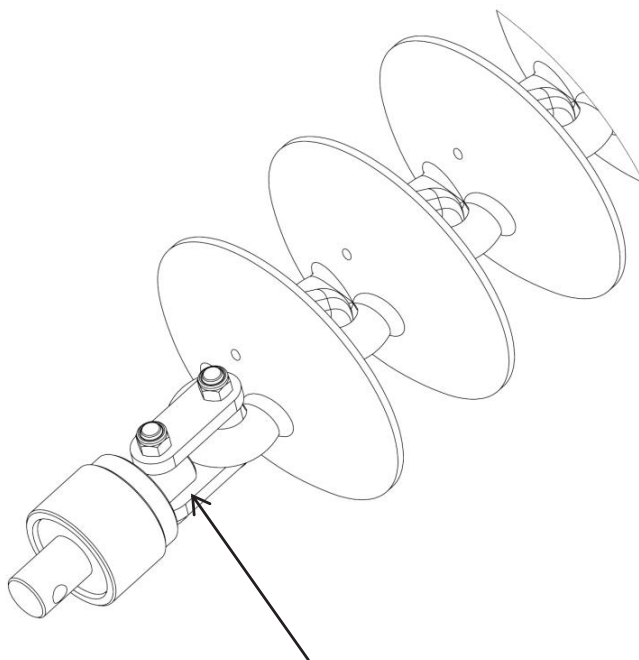


## For Example

Swivels attached to the leading ends of the chains should have the rotating seal end attached to the chain like shown



Swivels attached to the trailing ends of the chains should have the fixed housing end attached to the chain like shown



## Operating speeds

Operating speeds for normal conditions	
Chain type	Speed
Prickle Chain	6-10 Mph / 10-16 kmph
Disc Chain	6-8 Mph / 10-12 kmph
Transport / towing on roads	15 Mph / 25 kmph

## Chain Harrow specifications

<b>Model</b>	<b>4012</b>
<b>Working width</b>	40'10.15" / 12.45m
<b>Transport width</b>	11'5.8" / 3.50m
<b>Transport height</b>	12'6.20" / 3.80m
<b>Transport length</b>	45'5.22" / 13.85m

## Bolt Torque Settings

Bolt Type	Wheel nut				U Bolt			Grade 8.8 Bolt					Grade 10.9 Bolt	
	M18	M20	1/2"	9/16"	M10	M12	M16	M10	M12	M16	M20	M24	M20	M24
<b>Ft lb</b>	255	265	90	100	22	36	55	32	48	140	190	270	300	350
<b>Nm</b>	345	360	125	140	30	50	75	44	65	190	260	370	406	475

[1] When fitting a wheel & tire to a hub, tighten the wheel nuts in rotation to the correct tension. To achieve this choose a wheel nut & tighten, then proceed clockwise to the next wheel nut & tighten & so on until all wheel nuts are tight. Then repeat the procedure to check that all nuts are tight. Do not use impact tools to tighten wheel nuts. For a guide to the correct tension of the wheel nuts please use the appropriate tension for your size wheel nuts from the Bolt Torque Settings table.

Torque values are for dry threads and surfaces however it is permissible to apply a small amount of anti corrosive oil to the threads.

Model		Length	CL2	CL1	K4	W36	R300	SD49	Prickle chain
			CL2 disc chain also requires CL1 disc chain						
<b>4012</b>	Front right	7.16m	CL2 - 32 CL1 - 2	44	45	42	57	57	79
	Front left	7.16m	CL2 - 32 CL1 - 2	44	45	42	57	57	79
	Rear right	9.06m	CL2 - 31 CL1 - 15	55	57	53	72	72	101
	Rear left	6.65m	CL2 - 29 CL1 - 2	41	42	39	53	53	74
	Front module	2.59m	CL2 - 10 CL1 - 3	16	16	15	21	21	29
	Rear module	2.60m	CL2 - 10 CL1 - 2	16	16	15	21	21	29

For correct chain tension, chain links may need to be removed from the end of the chain as follows:

CL2 Disc Chain - unhook disc chain link/s from end of the disc chain

CL1 Disc Chain - unhook disc chain link/s from end of the disc chain

K4 Disc Chain - unhook disc chain link/s from end of the disc chain

Spiked Disc Chain - cut a disc chain link from the end of the disc chain

R300 Disc Chain - cut a disc chain link from the end of the disc chain

W36 Disc Chain - cut a disc chain link from the end of the disc chain

Prickle Chain - cut a prickle chain link from the end of the prickle chain

# Section 7

## Pre-Delivery Checklist



Name \_\_\_\_\_ Date \_\_\_\_\_ Location \_\_\_\_\_

<b>Check Item:</b>	<b>Checked by Initial</b>
Tyres are fitted correctly	
Check wheel nuts are tightened to the correct torque and marked	
Check tyres are inflated to correct pressure	
Tow Hitch is fitted correctly with bolts tightened to correct torque and marked.	
All bolts and nuts are tightened to the correct torque values and marked.	
All retaining pins are inserted and engaged	
All hoses are correctly routed through holders	
Air brake hoses are sound with no leaks	
Air brake relay valve is correctly set for the load	
Hydraulic rams and hoses are sound	
Hydraulic Accumulator is charged correctly.( 6M only)	
Drop legs are correctly orientated. (6M only)	
Swivel Units are correctly orientated	
Chains are resting correctly on their transport supports (chain carriers)	
Check the chain tension as per assembly manual	
All points are greased on the machine	
Roll pins are installed in the discs (CL1 and CL2)	
All safety decals are on the machine in the correct locations are per the Assembly/ Operators manual	
All safety signs are present & lights working	
Machine is registered for Warranty	
Customer has been shown the website and how to access parts information	
Operators manual has been provided with the machine	

Signature \_\_\_\_\_







