

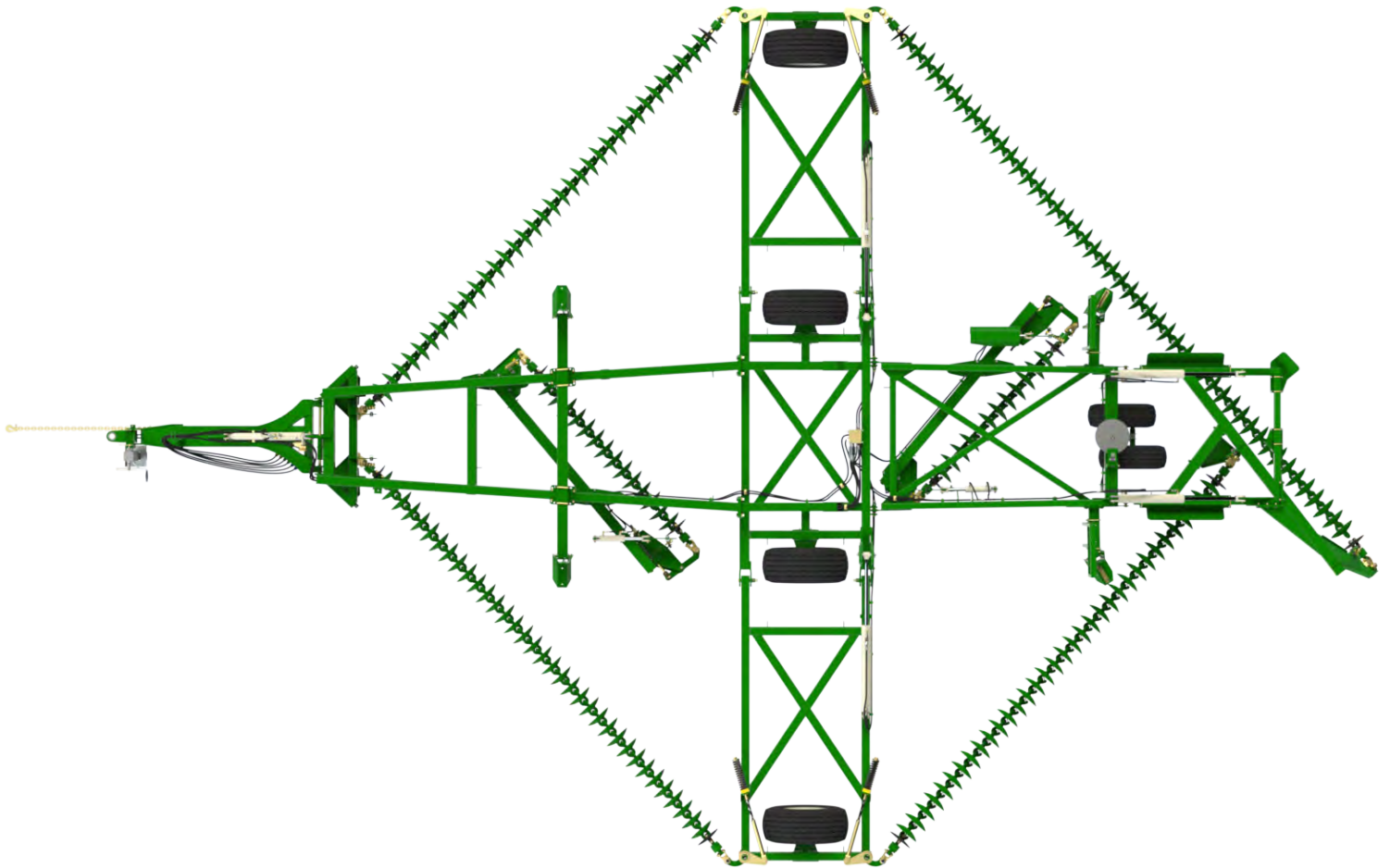


Better Tillage. Better Tomorrow.

Assembly Manual

KELLY TILLAGE SYSTEM 3009

KEASM-3009-R-01012024



SERIAL NUMBER:



Phone +61 8 8667 2253
Email sales@kellytillage.com
kellytillage.com

Booleroo (Head Office)
684 Kelly Road,
Booleroo Centre SA 5482

Adelaide Office
28 Greenhill Road,
Wayville SA 5034





Thank you for choosing a KELLY product.

We trust that you find the following manual clear and easy to follow. If you should require additional customer support or assistance, please do not hesitate to contact us.

Spare parts can be purchased, as required, through your local dealer or by contacting KELLY directly.

The KELLY team values your feedback. Should you have any difficulties that you wish to raise, suggestions for improvement or modifications that you feel would enhance our products we look forward to hearing from you.

Contact Us

Australia

Booleroo (Head Office)

684 Kelly Road,
Booleroo Centre SA 5482

+61 8 8667 2253

Monday - Friday
8am - 4pm ACDT

Adelaide Office

28 Greenhill Road,
Wayville SA 5034

+61 8 8667 2253

Monday - Friday
8am - 4pm ACDT

Global Locations

Eastern Canada

Leading Edge Equipment
www.leadingedgeequipment.ca

1-519-421-3223

Monday - Friday
8am - 4pm EST

Western Canada

Adair Sales & Marketing Co Inc
www.adairreps.com

1-306-773-0996

Monday - Friday
8am - 5pm CST

United States

Hood & Company

+1 417-865-2100

Monday - Friday
8am - 4pm CST

Europe

kellytillage.com

+61 8 8667 2253

Monday - Friday
8am - 4pm ACDT

Argentina

Giorgi Sa Maquinarias Agrícolas
www.giorgi.com.ar

+54 3464 493512

Monday - Friday
8am - 5pm ART

South Africa

Desmond Whitfield CC

+27 82 567 8245

Monday - Friday
8am - 4pm SAST

Contents

Section 1 - Unpacking	5
Section 2 - Assembly	8
Section 3 - Decal Application	114
Section 4 - Light Kit	130
Section 5 - Chain Assembly	139
Section 6 - Diagrams	150
Section 7 - Specifications	152
Section 8 - Operation	154
Notes	157

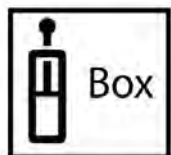
Legend



This symbol indicates which bag the relevant fasteners are in.



This symbol indicates which bag the relevant hydraulics are in.



This symbol indicates the hydraulics are in a box.



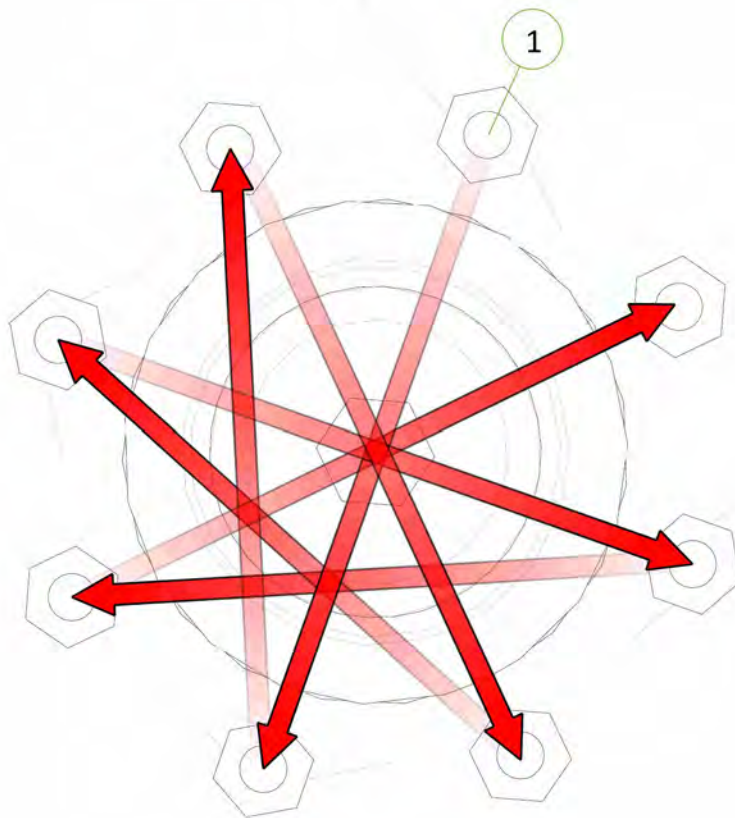
This symbol indicates which way the machine is travelling.

Bolt Torque Settings

Bolt Type	Wheel nut				U Bolt			Grade 8.8 Bolt					Grade 10.9 Bolt		Grade 8 Bolt
Bolt Size	M18	M20	1/2"	9/16"	M10	M12	M16	M10	M12	M16	M20	M24	M20	M24	1" UNF
Ft lb	255	265	90	100	22	36	55	32	48	140	190	270	300	350	849
Nm	345	360	125	140	30	50	75	44	65	190	260	370	406	475	1151

[1] When fitting a wheel & tire to a hub, do the wheel nuts up in rotation to the correct tension. To achieve this choose a wheel nut & tighten, then go clockwise to the next wheel nut & tighten & so on until all wheel nuts are tight. Then repeat the procedure to check that all nuts are tight. Do not use impact tools to tighten wheel nuts. For a guide to the correct tension of the wheel nuts please use the appropriate tension for your size wheel nuts from the Bolt Torque Settings table.

Torque values are for dry threads and surfaces however it is permissible to apply a small amount of anti corrosive oil to the threads.





Section 1 - Unpacking

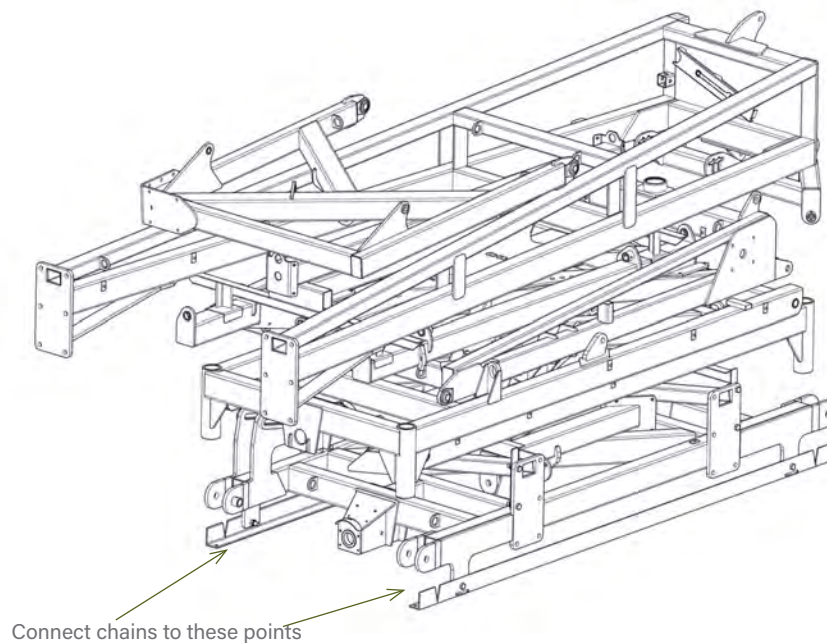
We recommend the use of suitable lifting equipment with a lifting capacity of at least 4 tones.

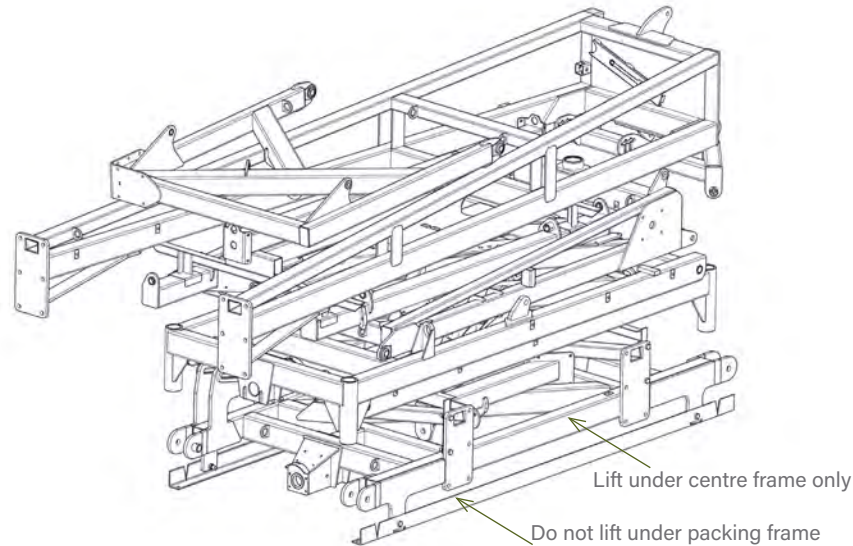


CAUTION

Take care when opening doors as load may have shifted or restraints may have broken.

- Remove boxes from doorway of container one at a time using a forklift truck. Each box weighs approximately (5512 lbs / 2500kg)
- Check strapping on each bundle before attempting to remove
- Attach chains to the packing frame using shackles and using suitable equipment (eg. forklift or tractor) drag framework bundles out of container. To move bundles away from front of container lift from side with forklift. Do not lift under angle iron frame, lift only under centre frame. Each bundle weighs approximately 7000 lb (3200 kg).





CAUTION

Before cutting straps attach slings or chains and take the weight of the frames to avoid them slipping or falling and causing injury.



CAUTION

Wear eye and hand protection when cutting straps. Sharp edges are exposed as straps separate and may cause injury.



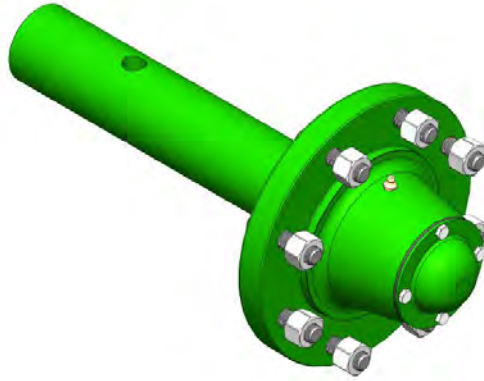
CAUTION

To avoid falling or moving components, before cutting straps attach slings or chains to individual pieces and only cut the straps holding the piece to be lifted.

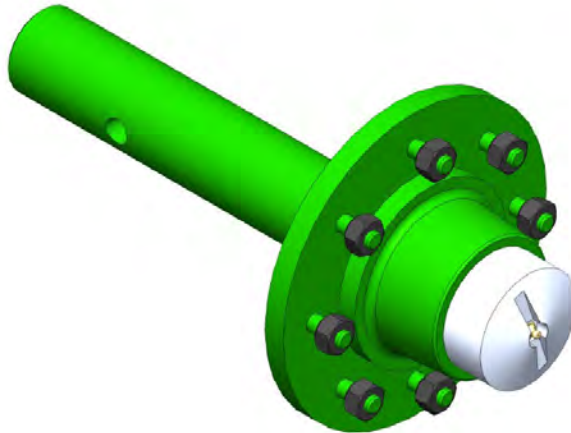
- Remove boxes from rear of container one at a time using a forklift truck. Each box weighs approximately 5512 lbs (2500 kg)
- Cut straps holding bundles and separate parts and place in assembly area
- Once all parts have been identified, the machine is ready for assembly
- Identify parts for each machine by serial no. or description and separate. Open parts box and check that all parts are accounted for against checklist
- Read assembly instructions before proceeding.

NOTE

The hubs show below are interchangeable (refer to page 11 for assembly).



0733-LG6080067

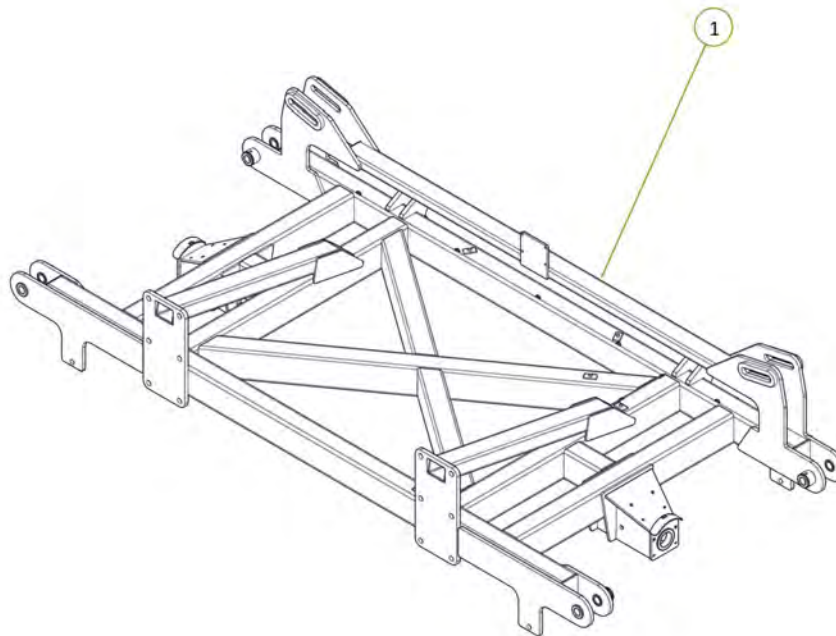


0733-SH27596880

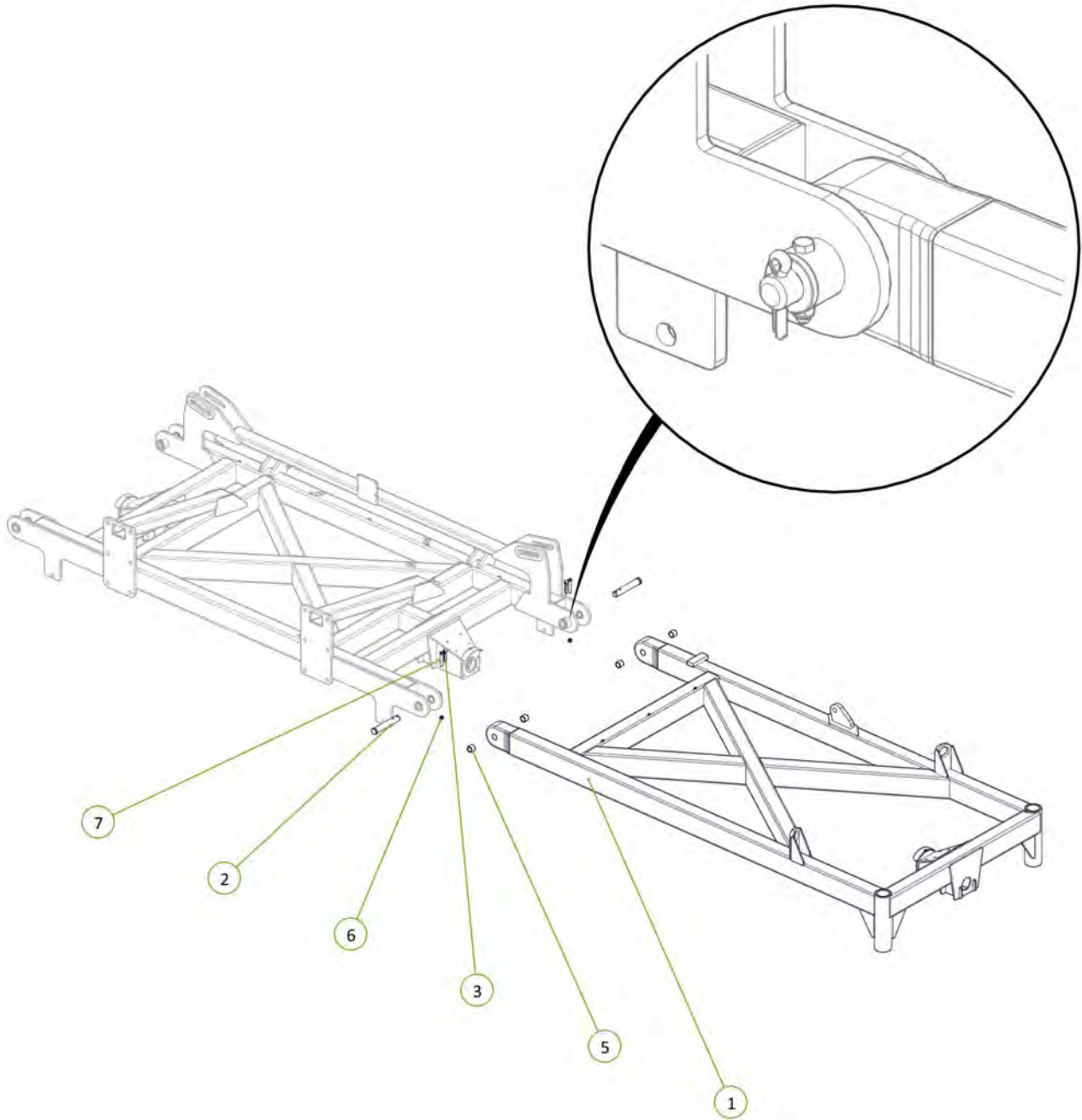
KELLY

Section 2 - Assembly

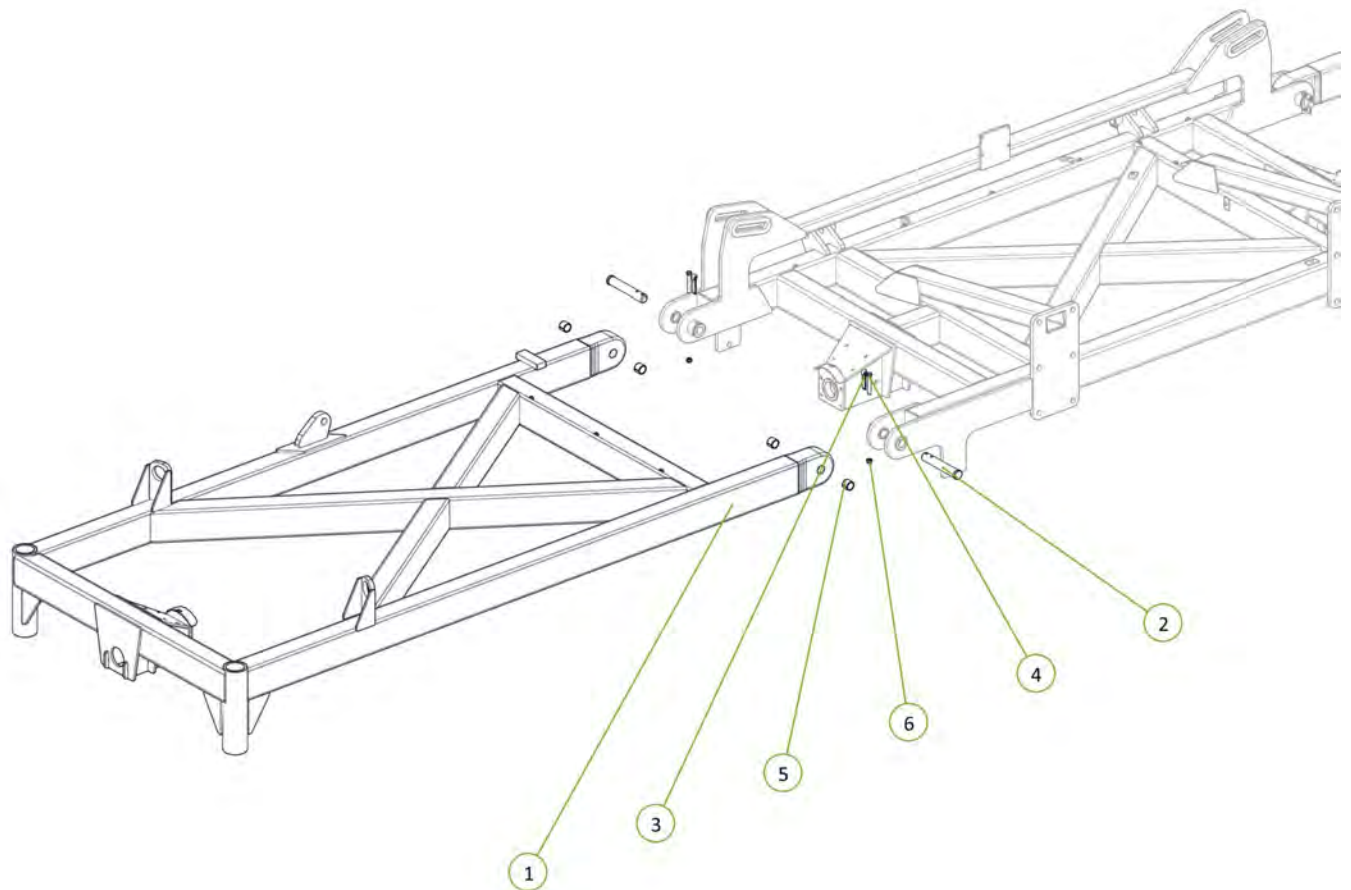
Item No.	Description	Number	Qty
1	30' Centre Frame	0830-01-2	1



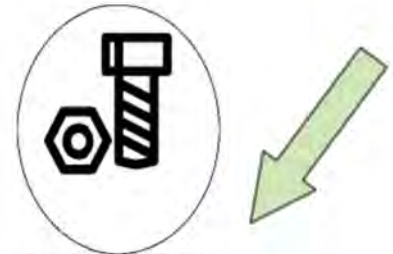
Item No.	Description	Number	Qty
1	30' Left Hand Wing	0830-07-2	1
2	PCH Wing Pivot Pin	0801-10-08-235	2
3	Cotter Pin M13 x 63	0261-PINC1363	2
5	35 ID x 30mm DU Bush	0113-MB3530DU	4
6	Nyloc Nut M12	0221-NYL12	2
7	M12 x 90 Class 8.8 ZP Bolt	0211-1290	2



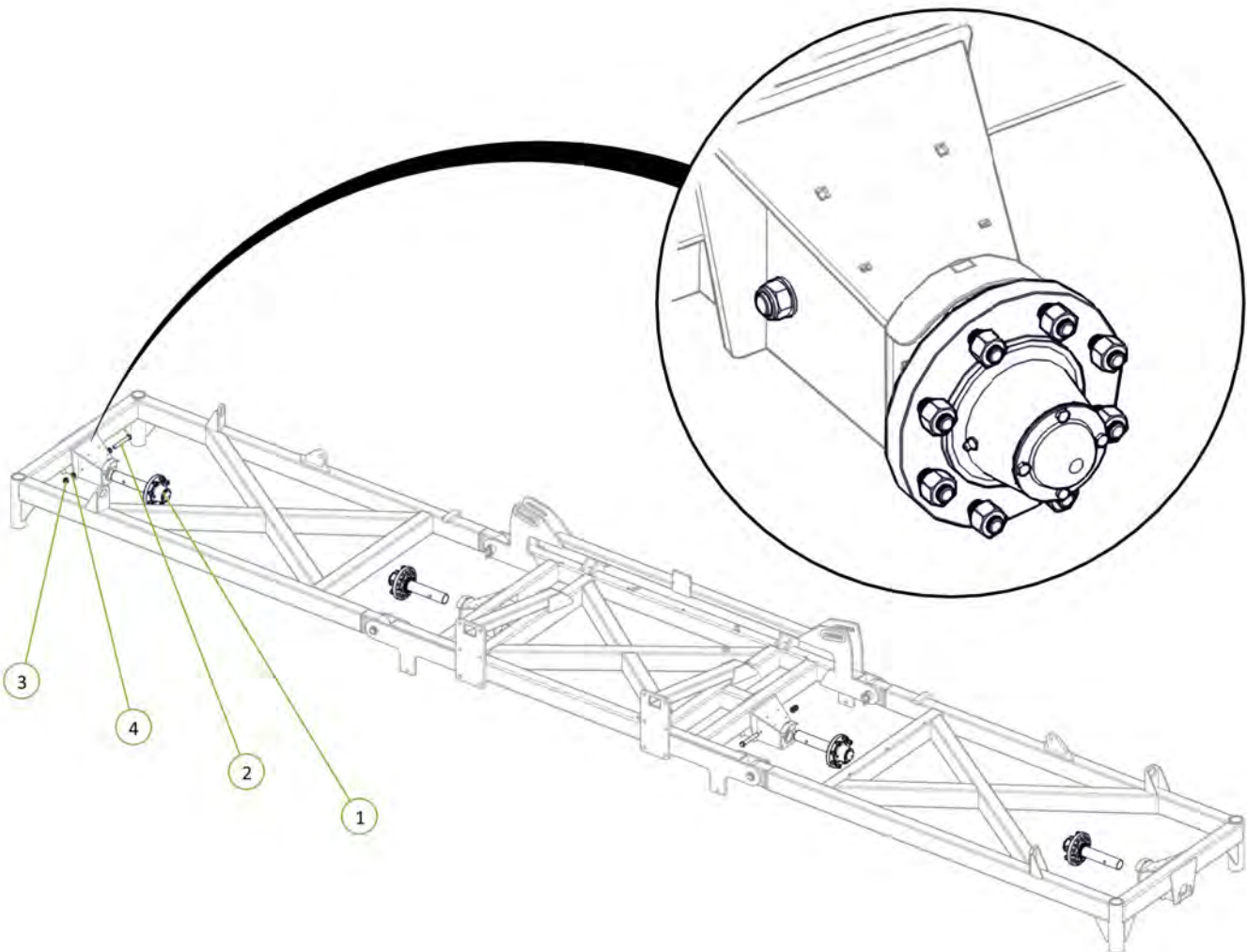
Item No.	Description	Number	Qty
1	30' Right Hand Wing	0830-06-2	1
2	PCH Wing Pivot Pin	0801-10-08-235	2
3	Cotter Pin M13 x 63	0261-PINC1363	2
4	M12 x 90 Class 8.8 ZP Bolt	0211-1290	2
5	35 ID x 30mm DU Bush	0113-MB3530DU	4
6	Nyloc Nut M12	0221-NYL12	2



Item No.	Description	Number	Qty
1	2.75"R C/W 6 tonne 8 on 8" PCD Complete Assembly inc GS	0733-LG6080067	4
2	M20 x 170 grade 8.8 ZP Bolt	0211-20170	4
3	Nyloc Nut M20	0221-NYL20	4
4	Washer Flat M20	0231-F20	8



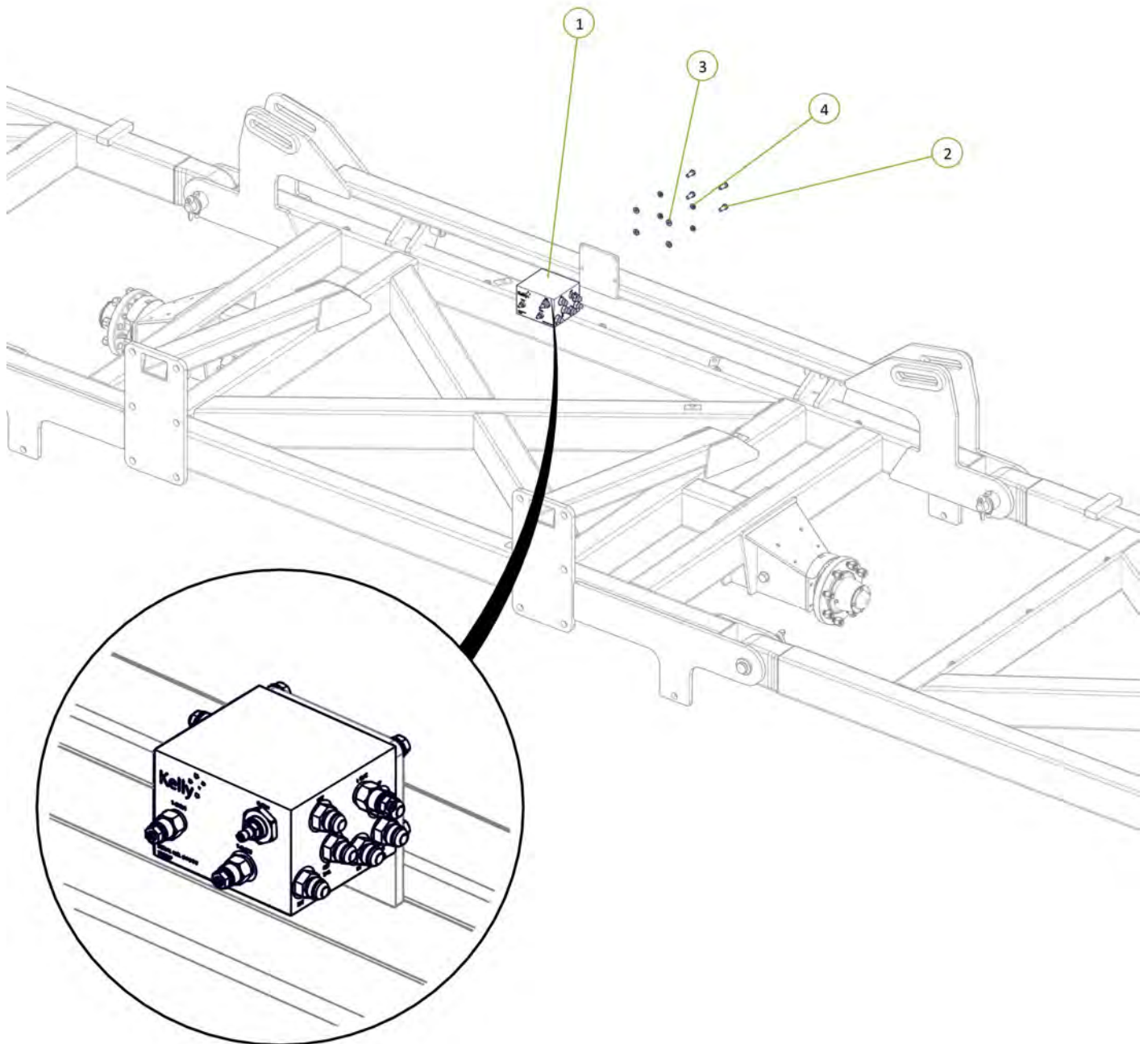
0802-FK-0830-01A-AS1-USA
0802-FK-0830-06A-AS1-USA
0802-FK-0830-07A-AS1-USA



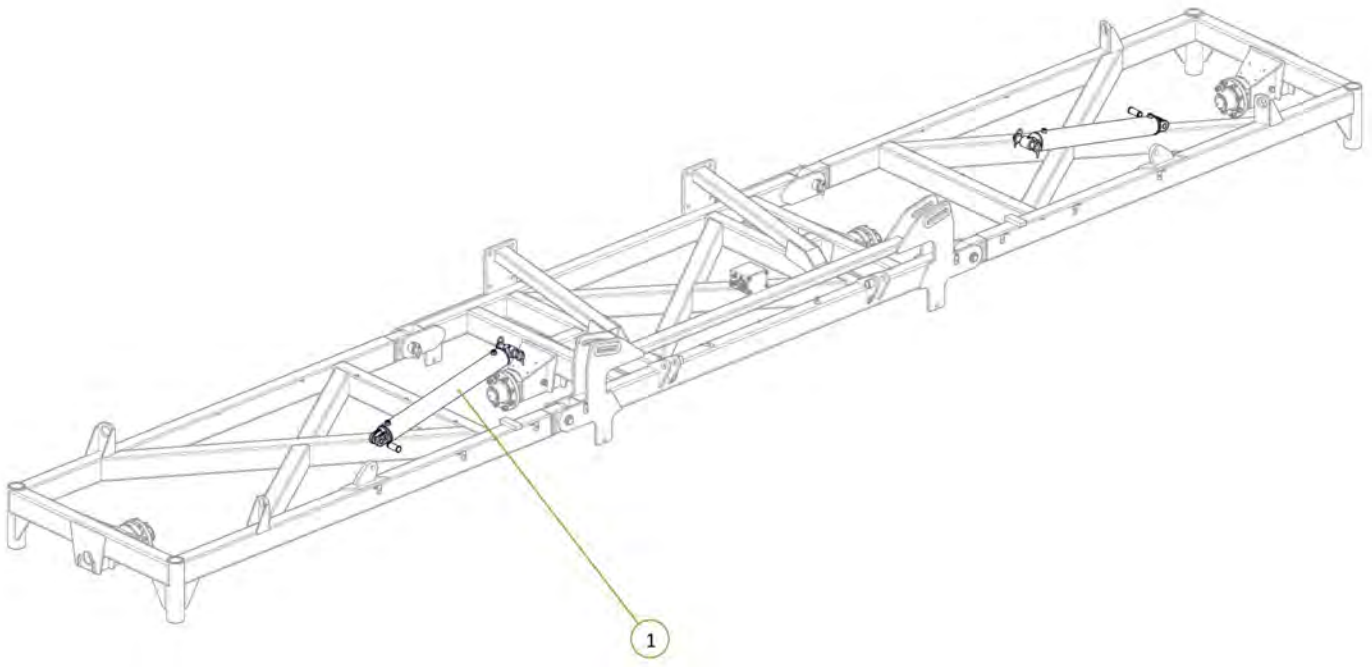
NOTE

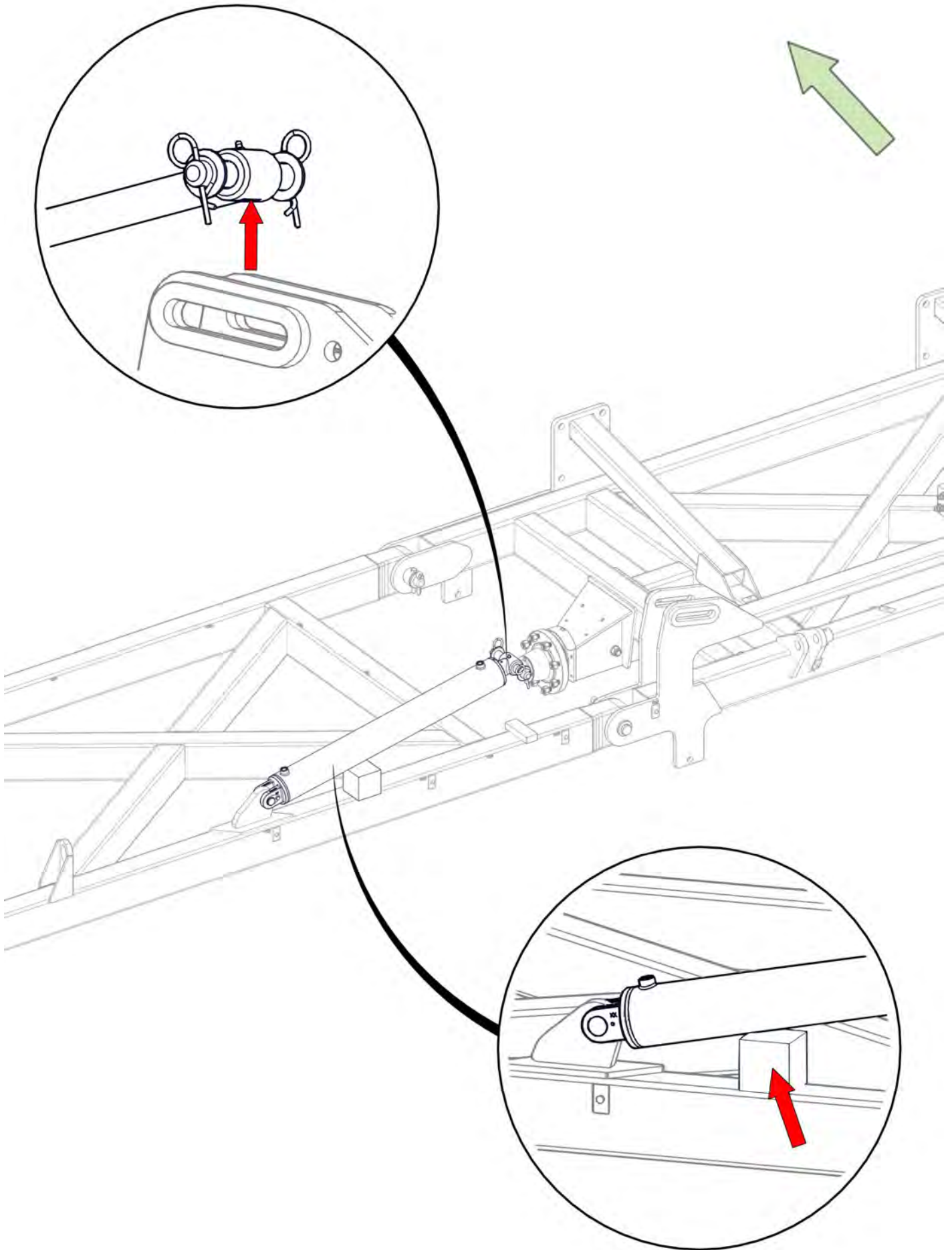
The hub (0733-LG6080067) showed on item one is interchangeable. (Refer to page 7 for more information).

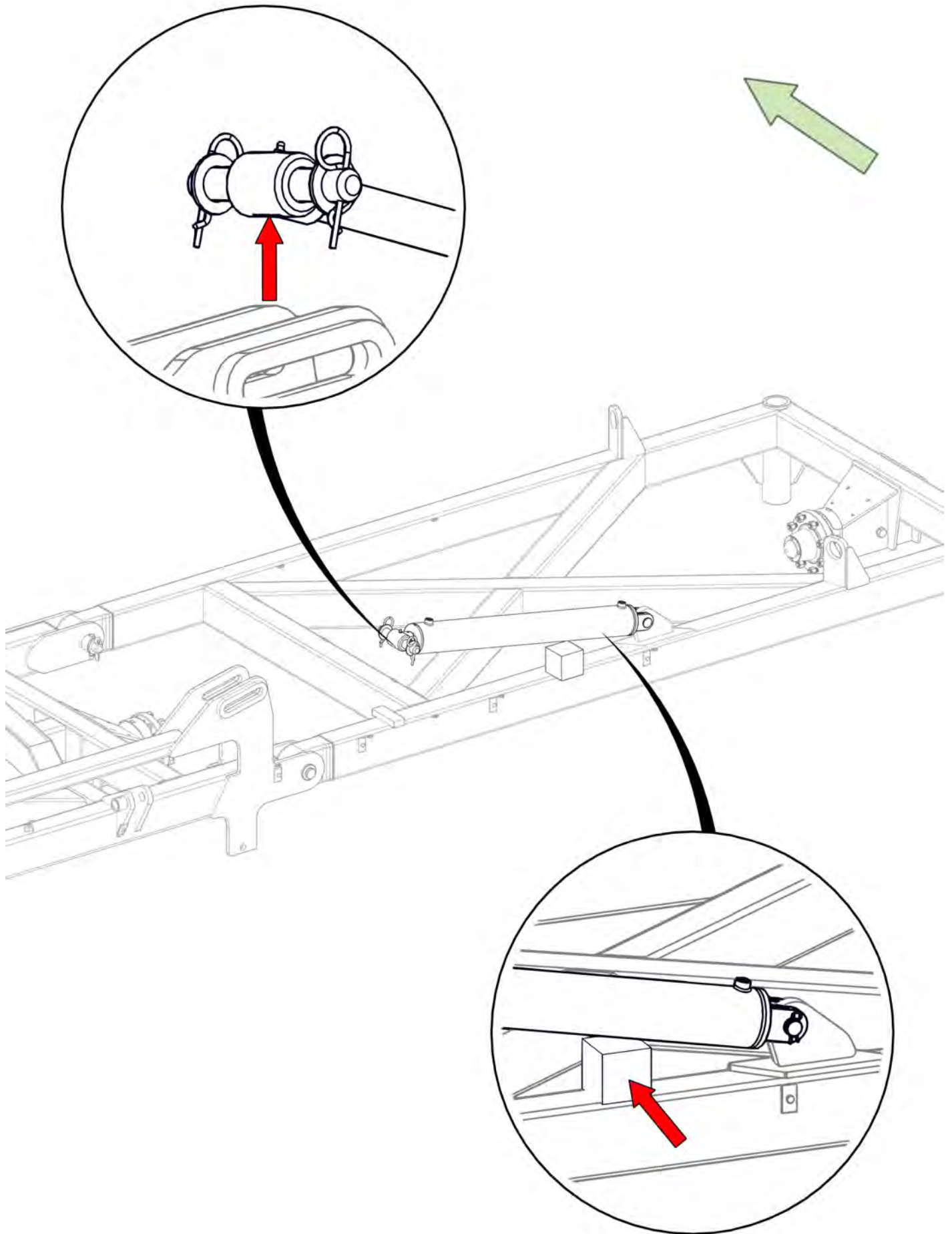
Item No.	Description	Number	Qty
1	Dual Circuit Single Sequence Block Body	0802-690507	1
2	M10 x 25 grade 8.8 ZP Bolt	0211-1025	4
3	Washer Flat M10	0231-F10	4
4	Washer Spring M10	0231-S10	4



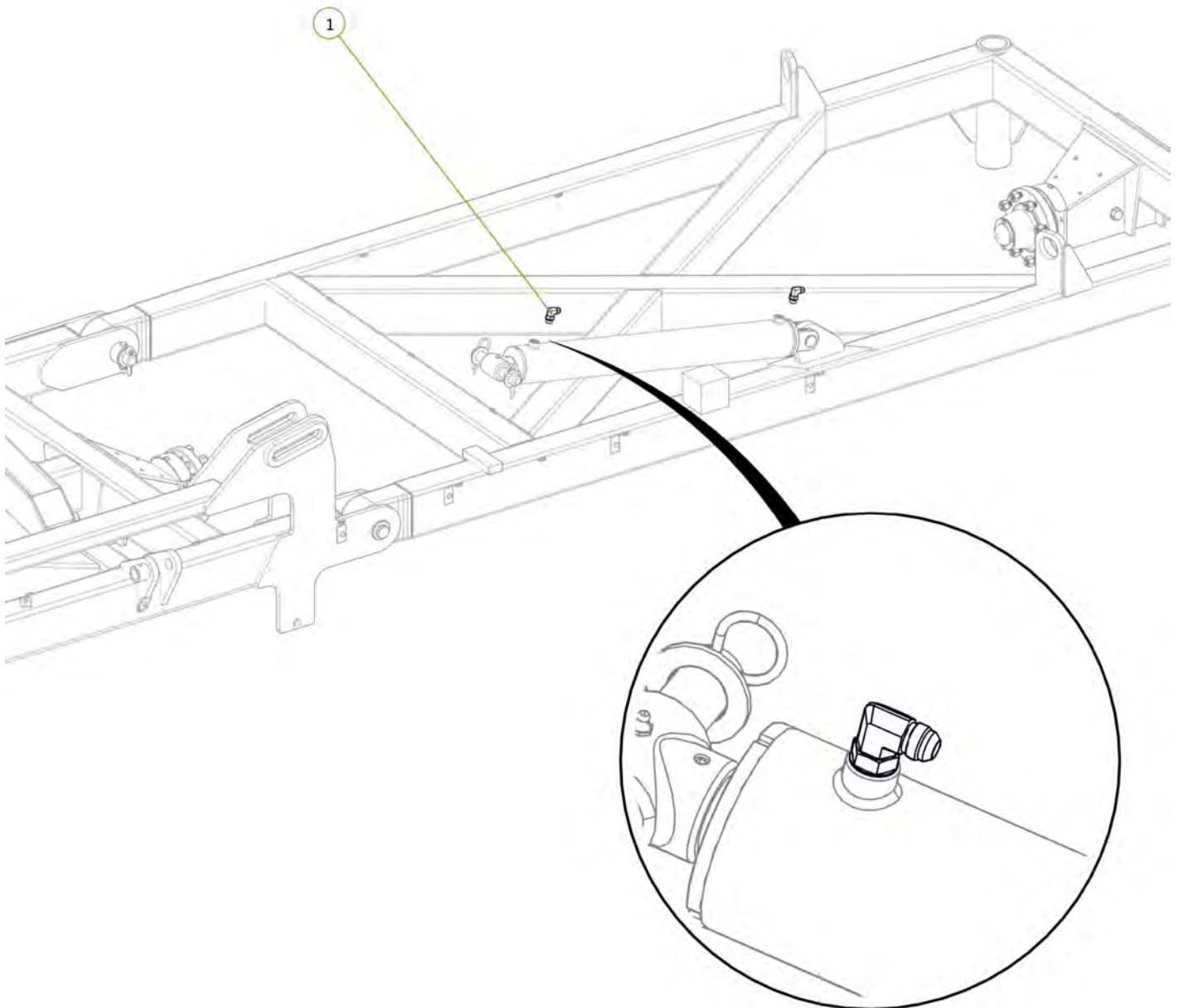
Item No.	Description	Number	Qty
1	4" Bore 30" Stroke 3" S/Tube 1.75" Rod Hydraulic Cylinder	0311-430ST	2



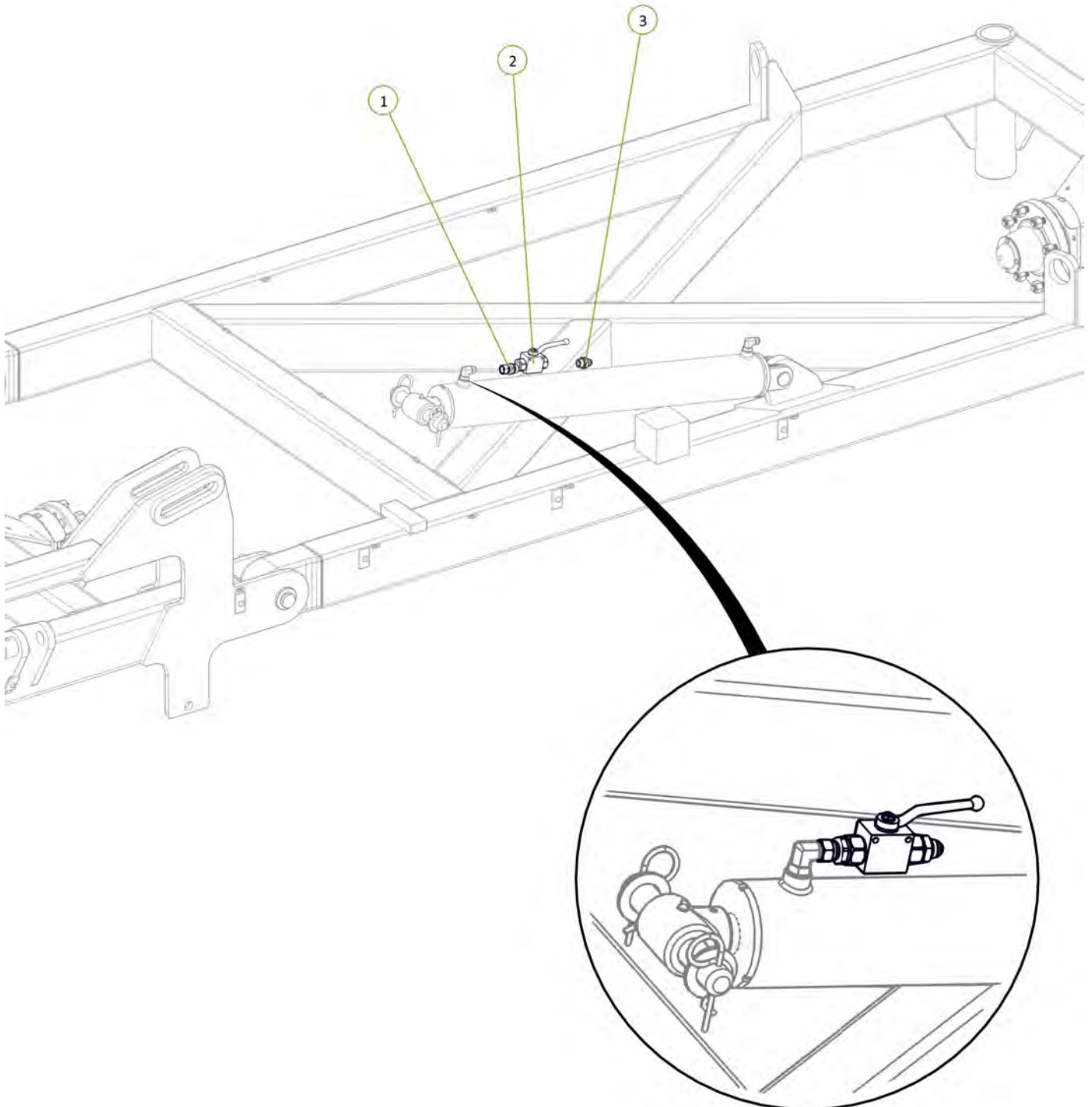




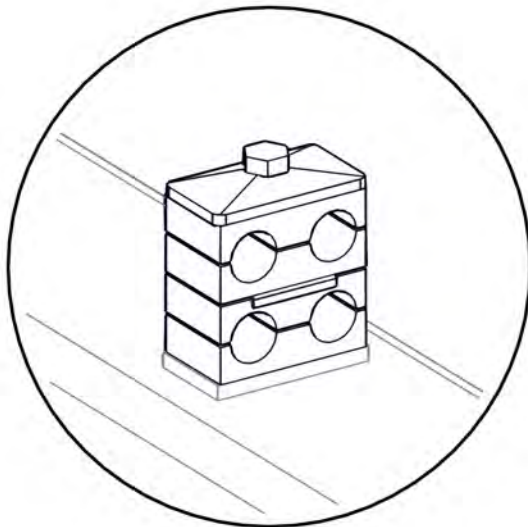
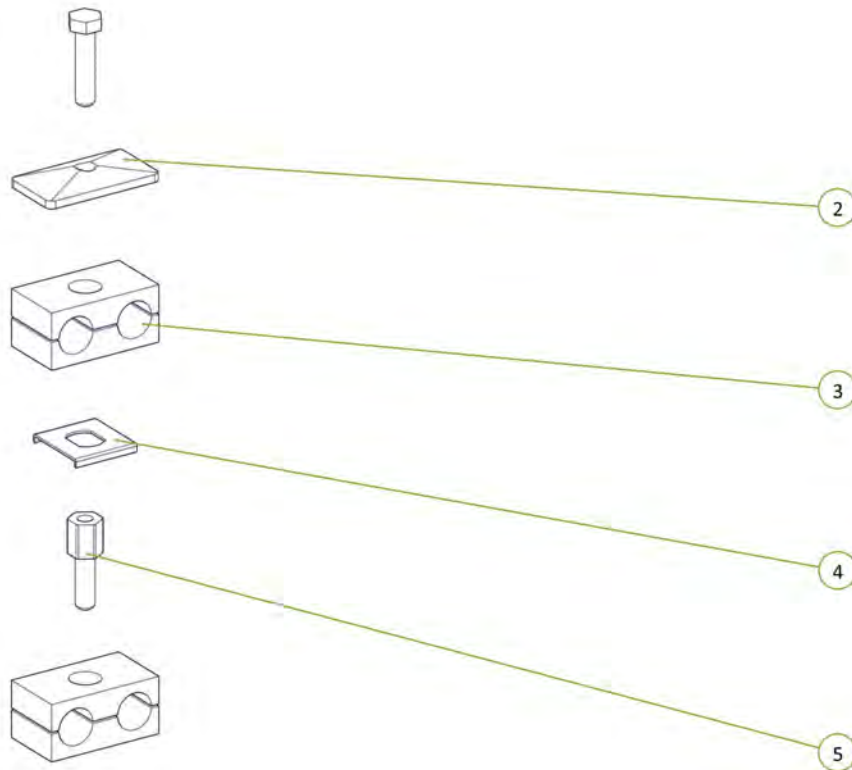
Item No.	Description	Number	Qty
1	3/4" JIC Male 3/4" UN O Ring Male 90° Elbow	0323-S91-1212	2



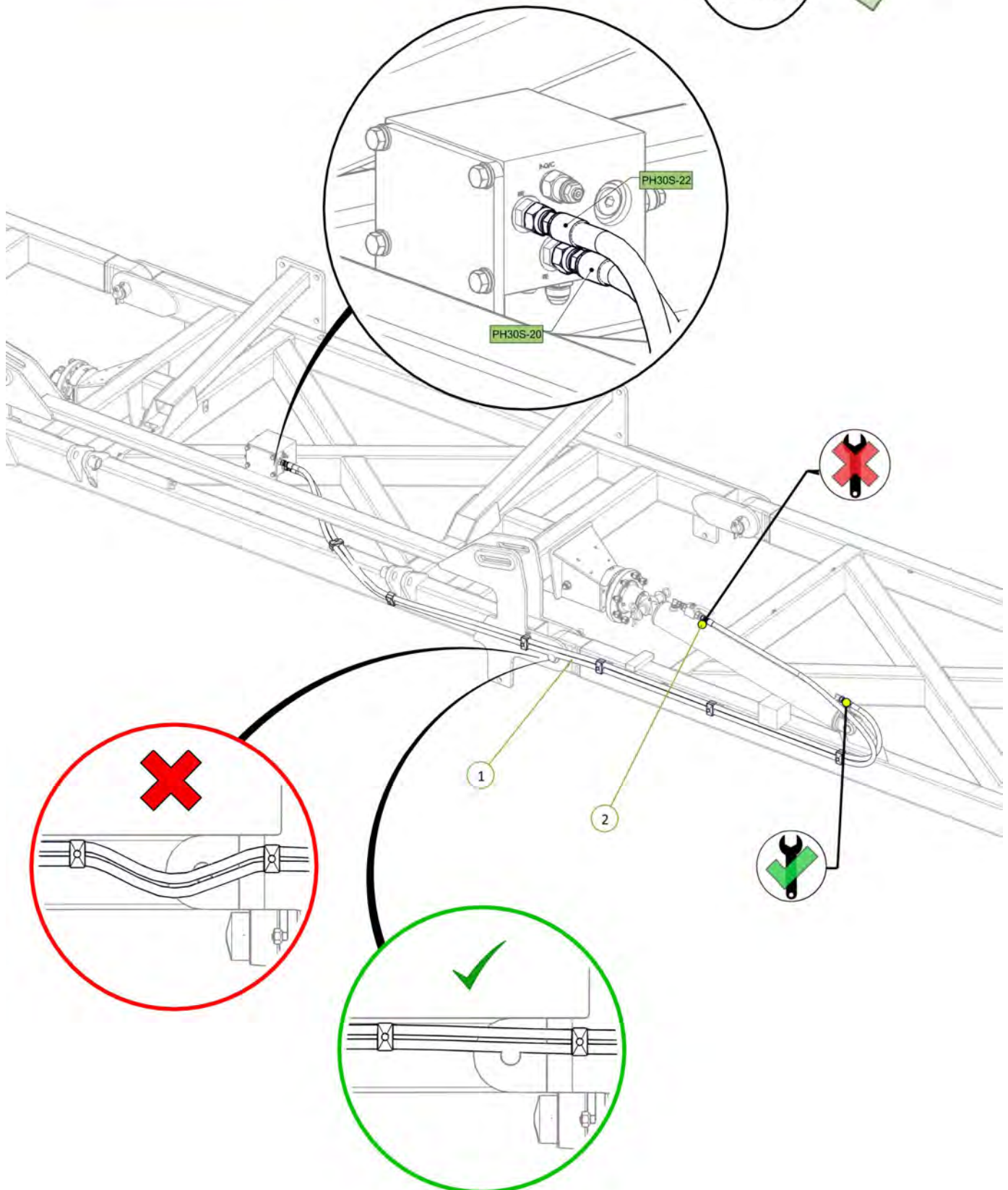
Item No.	Description	Number	Qty
1	1/2" BSPP Encapt Male 3/4" JIC Female Swive Adaptor	0323-S71-0812	1
2	Ball Valve BSPP 1/2"	0341-RL20SH-0808	1
3	1/2" BSPP Encapt Male 3/4" JIC Male Adaptor	0323-S74-0812	1



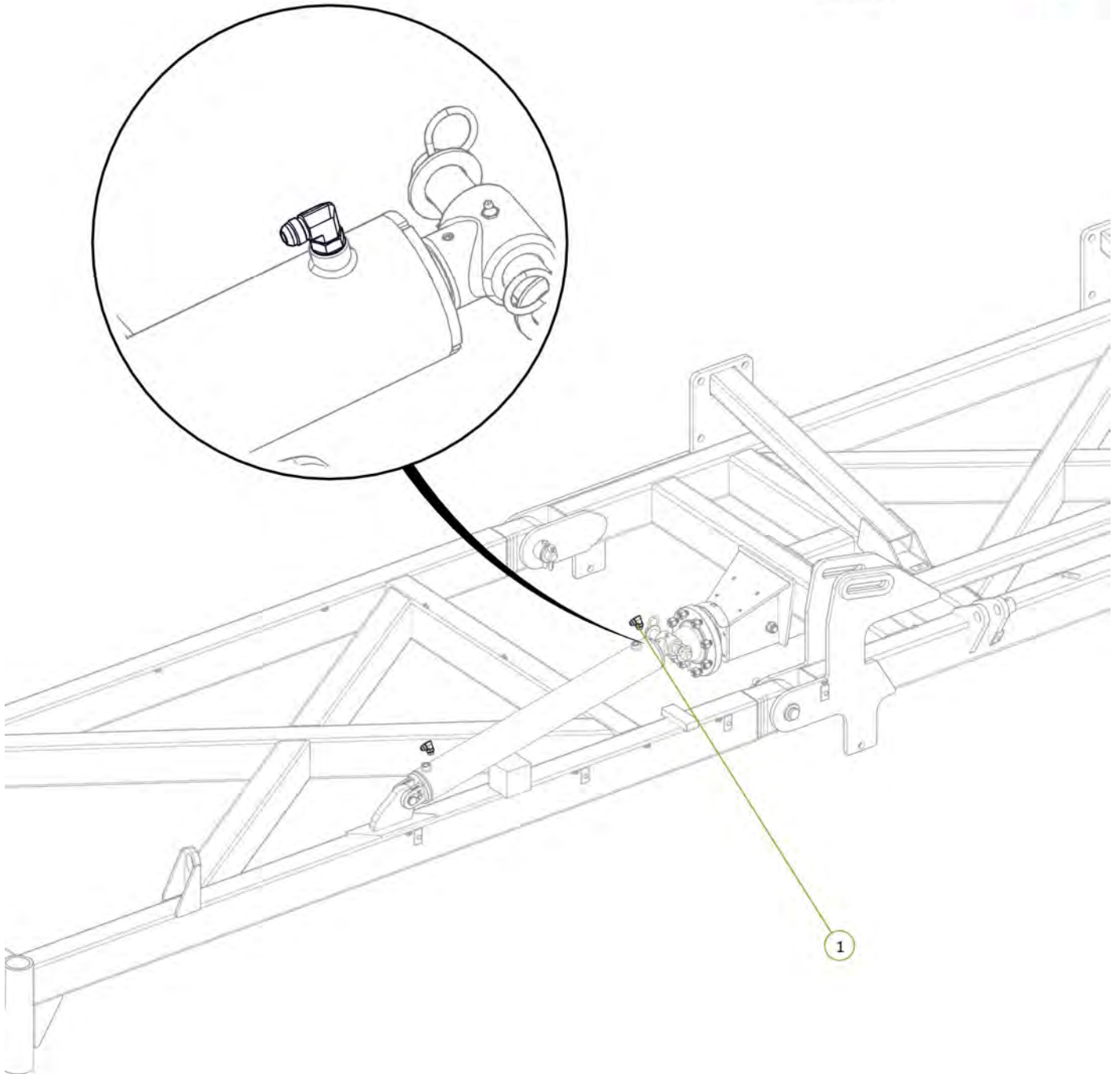
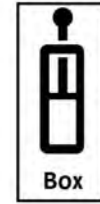
Item No.	Description	Number	Qty
2	Clamp top plate group 2	0325-RCD-2PT	1
3	17mm Clamp Jaws (Pair)	0325-RCD-17J	2
4	Double Clamp Stacking Plate (Non Ryco)	0325-SI-2-5D-W3	1
5	Double Clamp Stacking Bolt Group 2	0325-RCD-2BS	1



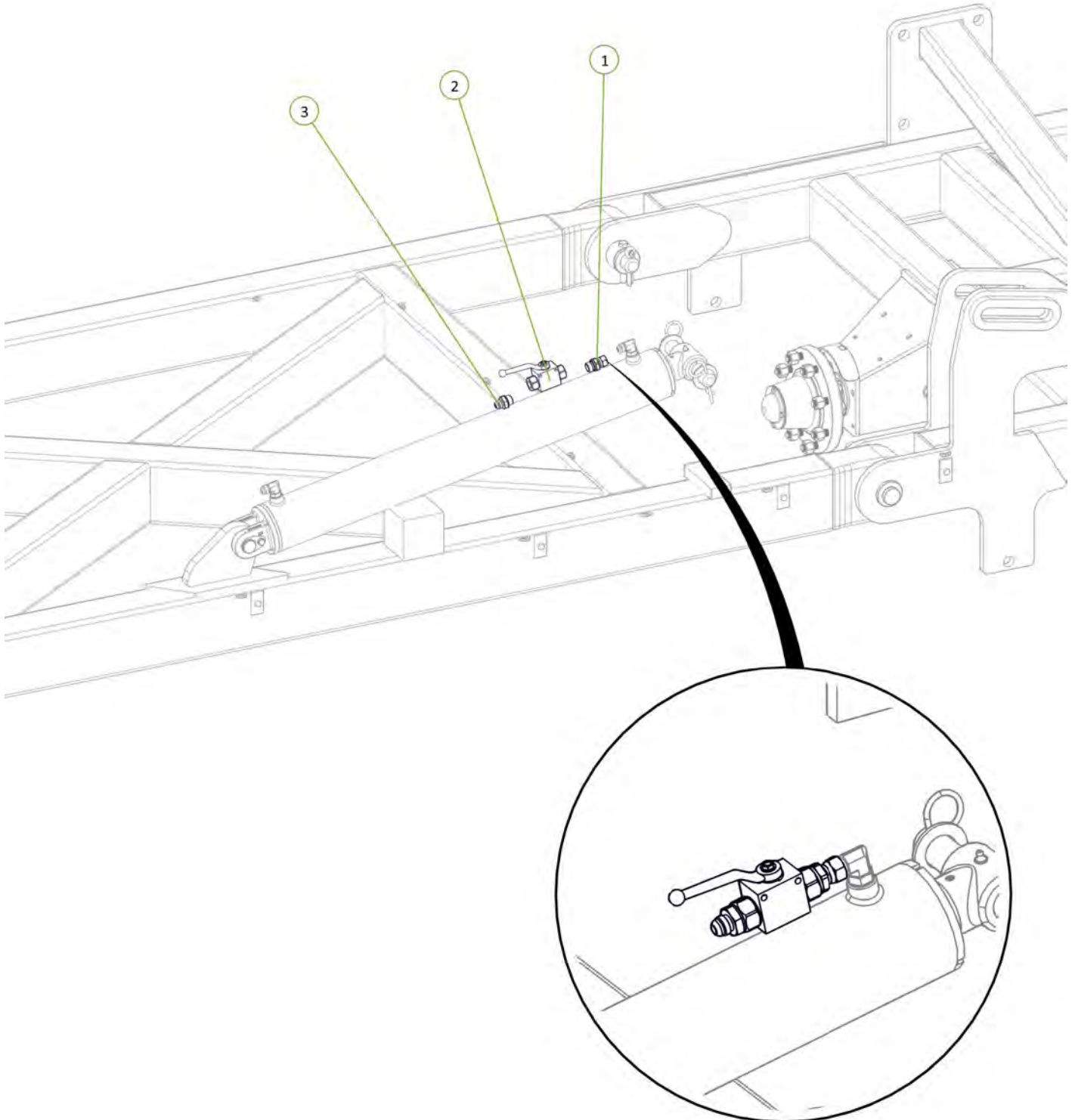
Item No.	Description	Number	Qty
1	Valve RE Port to RH Wing Cylinder Rear Port	PH30S-20	1
2	Valve RR Port to RH Wing Cylinder Rod Port	PH30S-22	1



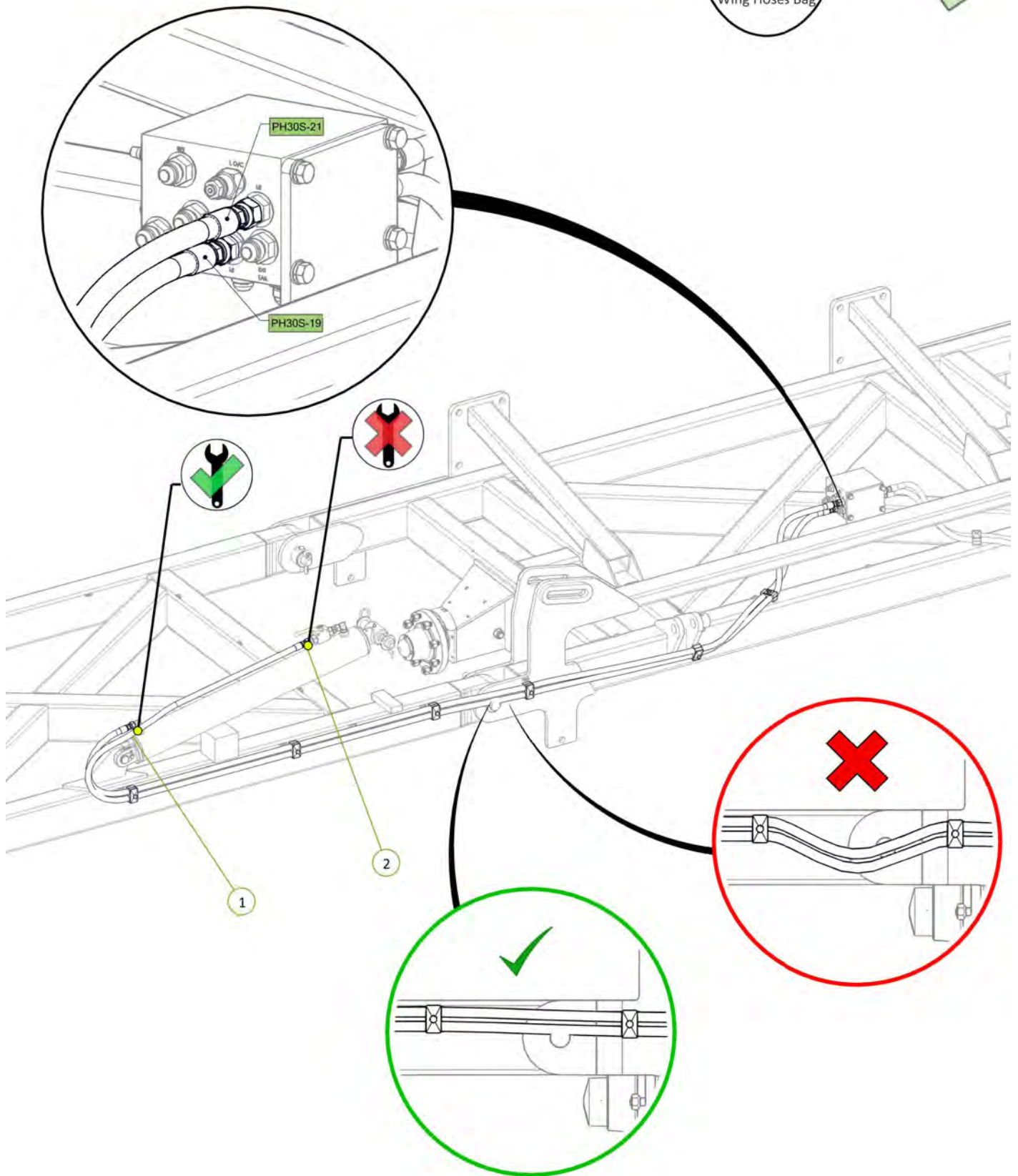
Item No.	Description	Number	Qty
1	3/4" JIC Male 3/4" UN O Ring Male 90° Elbow	0323-S91-1212	2



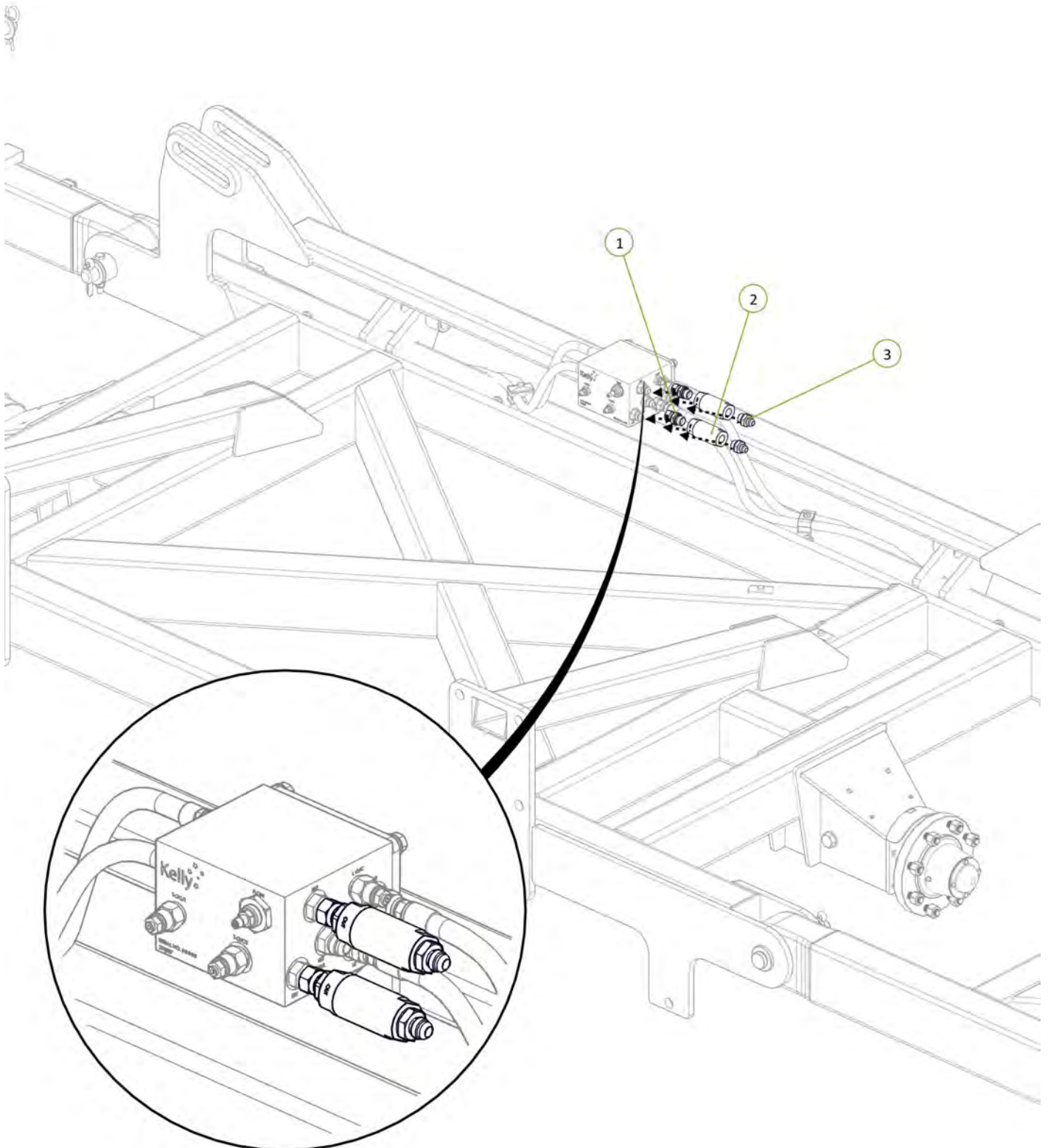
Item No.	Description	Number	Qty
1	1/2" BSPP Encapt Male 3/4" JIC Female Swive Adaptor	0323-S71-0812	1
2	Ball Valve BSPP 1/2"	0341-RL20SH-0808	1
3	1/2" BSPP Encapt Male 3/4" JIC Male Adaptor	0323-S74-0812	1



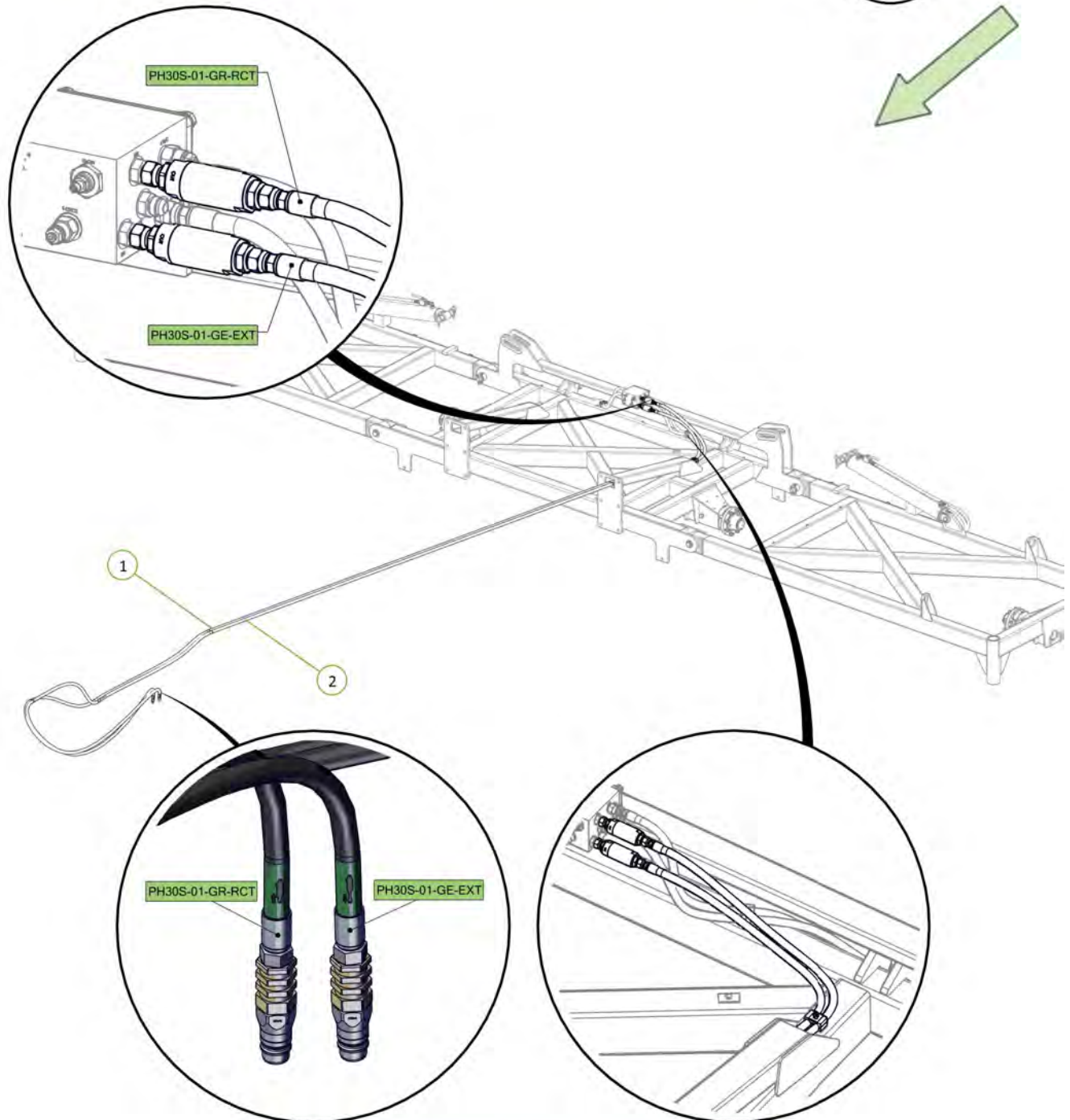
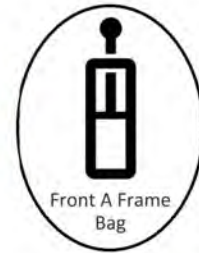
Item No.	Description	Number	Qty
1	Valve LE Port to LH Wing Cylinder Rear Port	PH30S-19	1
2	Valve LR Port to LH Wing Cylinder Rod Port	PH30S-21	1



Item No.	Description	Number	Qty
1	1/2" BSPP Encapt Male 3/4" JIC Female Swive Adaptor	0323-S71-0812	2
2	In Line Hydraulic Oil Filter	0343-924001261	2
3	1/2" BSPP Encapt Male 3/4" JIC Male Adaptor	0323-S74-0812	2

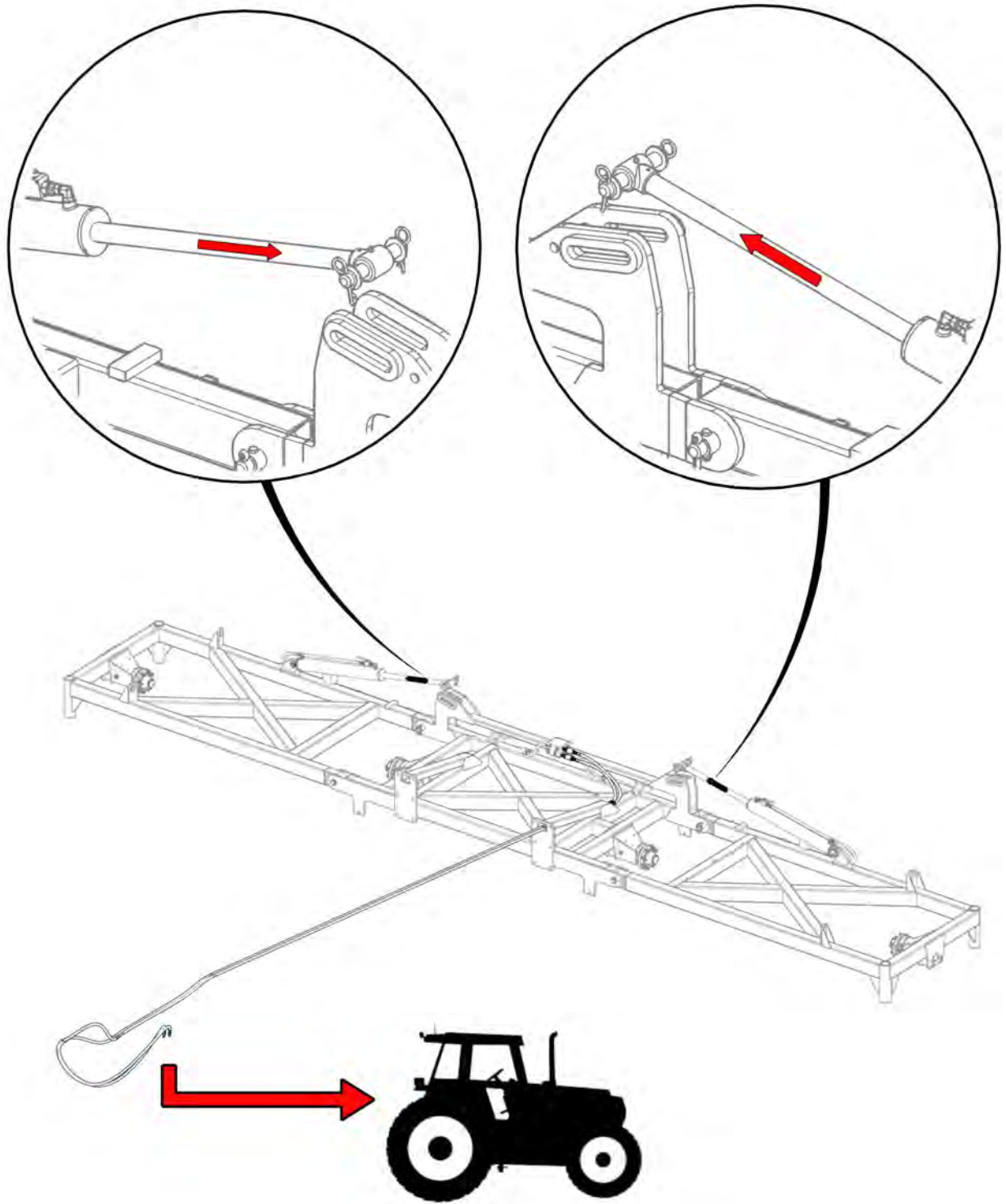


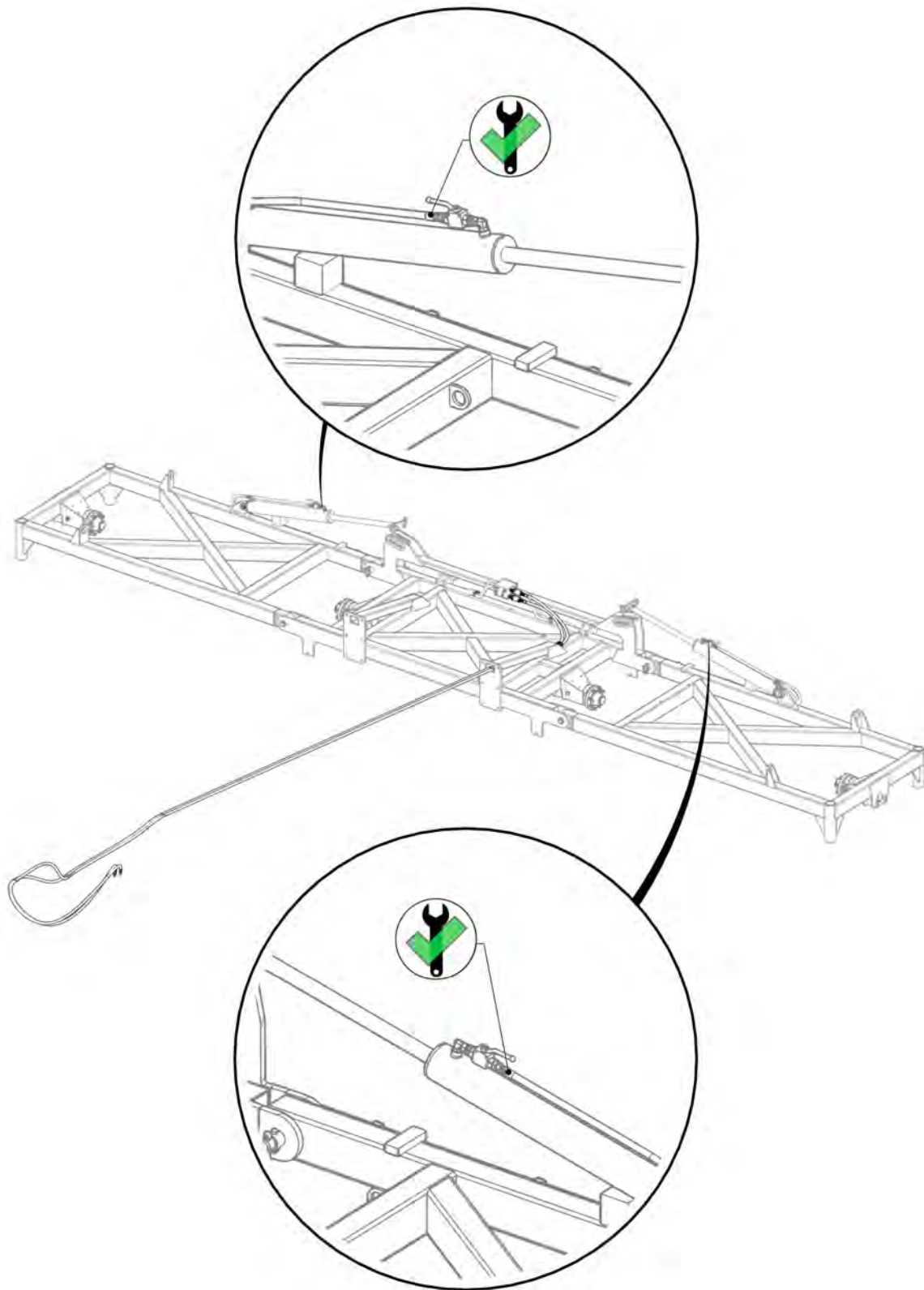
Item No.	Description	Number	Qty
1	Tractor to Sequence Valve EXT Port fitted with Green Extend Decal	PH30S-01-GE-EXT	1
2	Tractor to Sequence Valve RCT Port fitted with Green Retract Decal	PH30S-01-GR-RCT	1



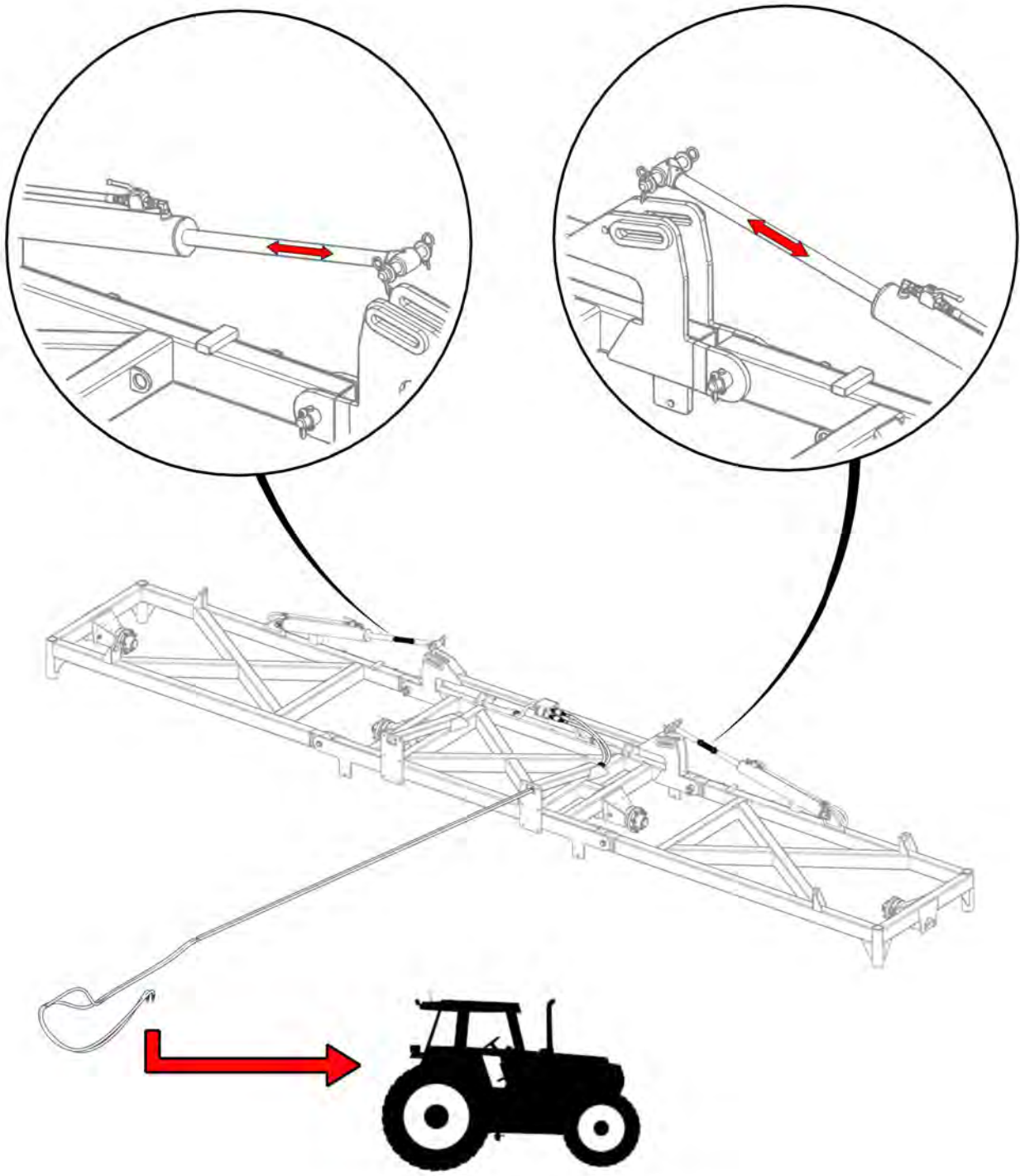
Ensure all retract hose fittings are loose to allow air to escape

Chock all cylinders up to prevent clash during extension

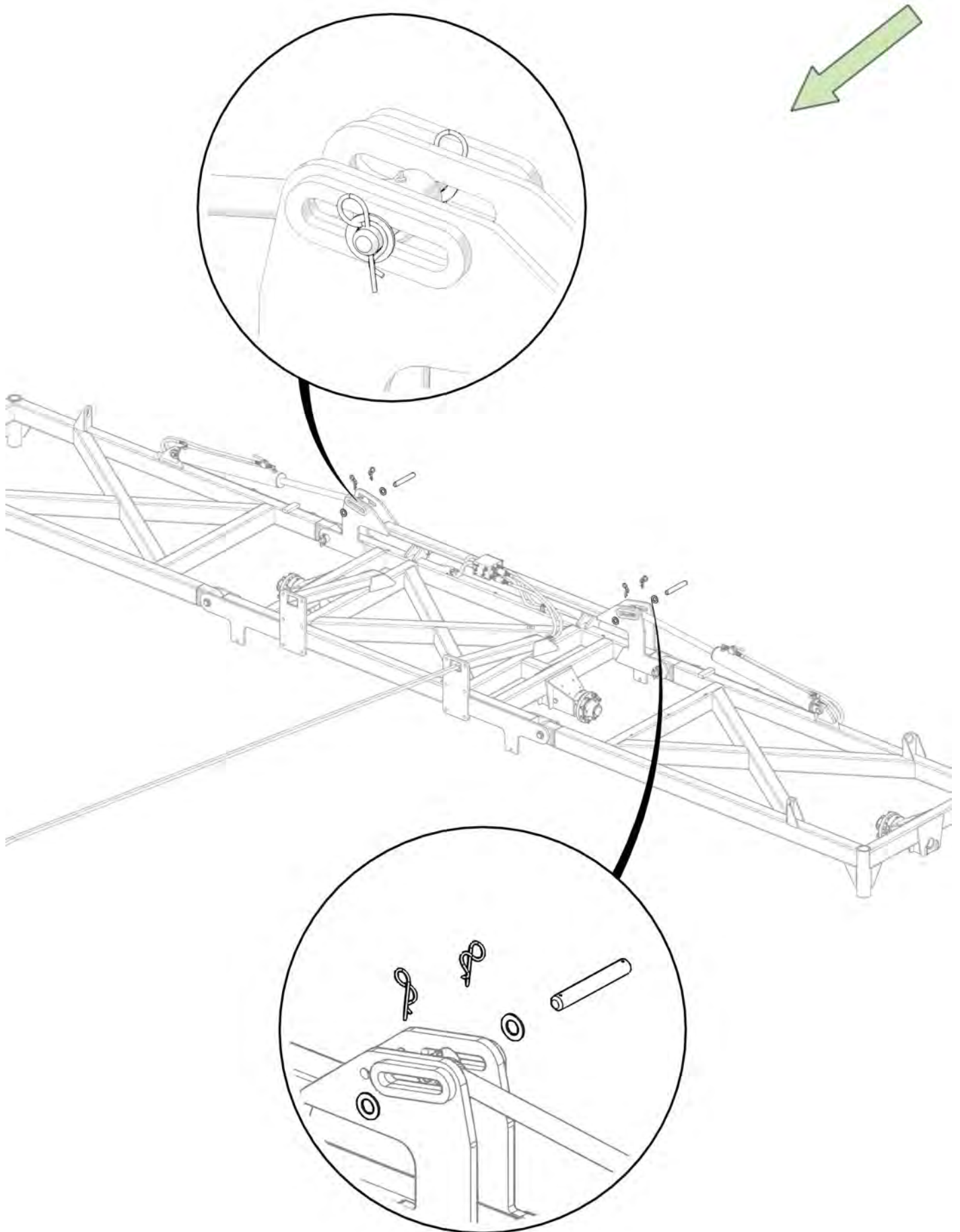




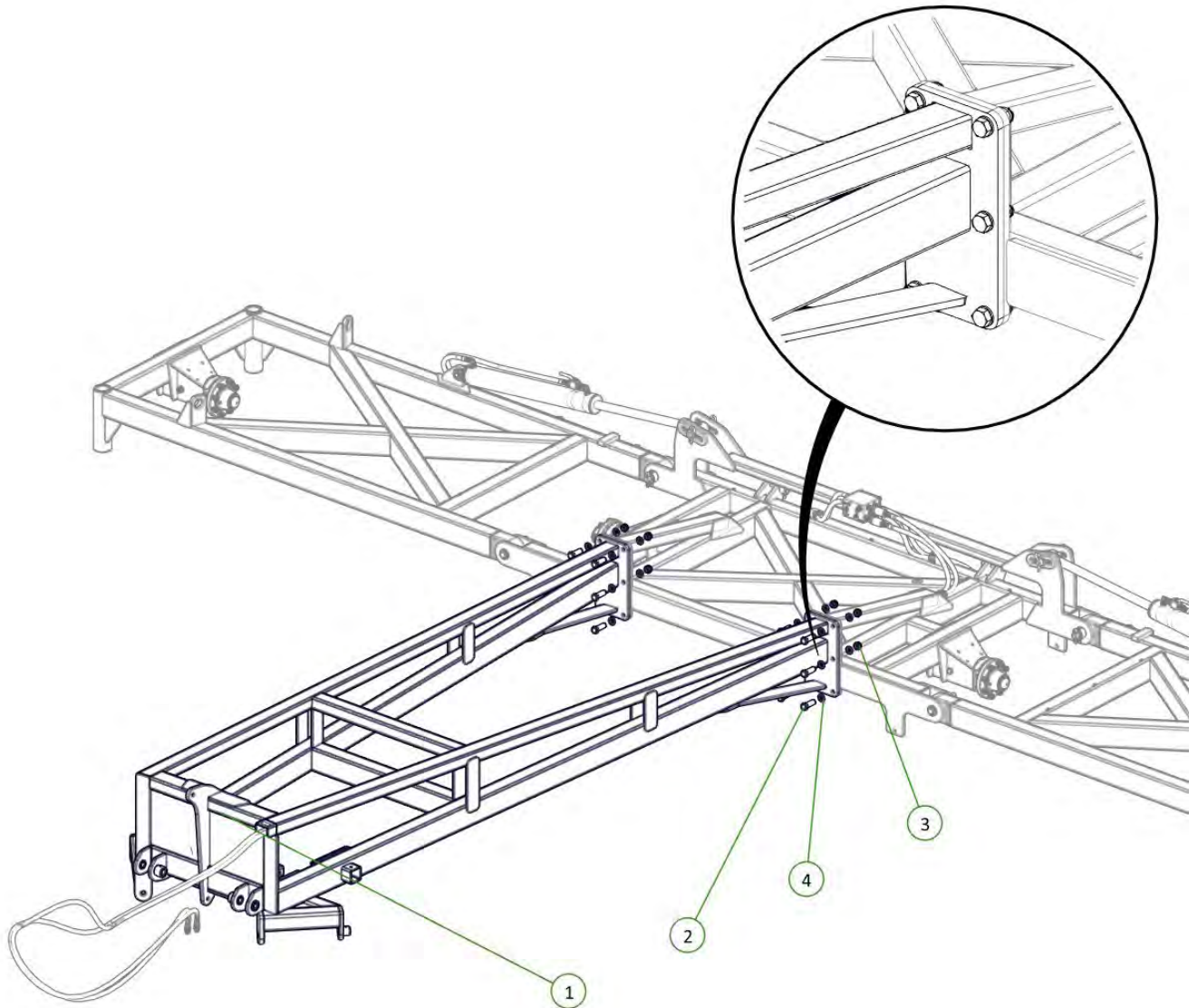
Tighten retract fittings



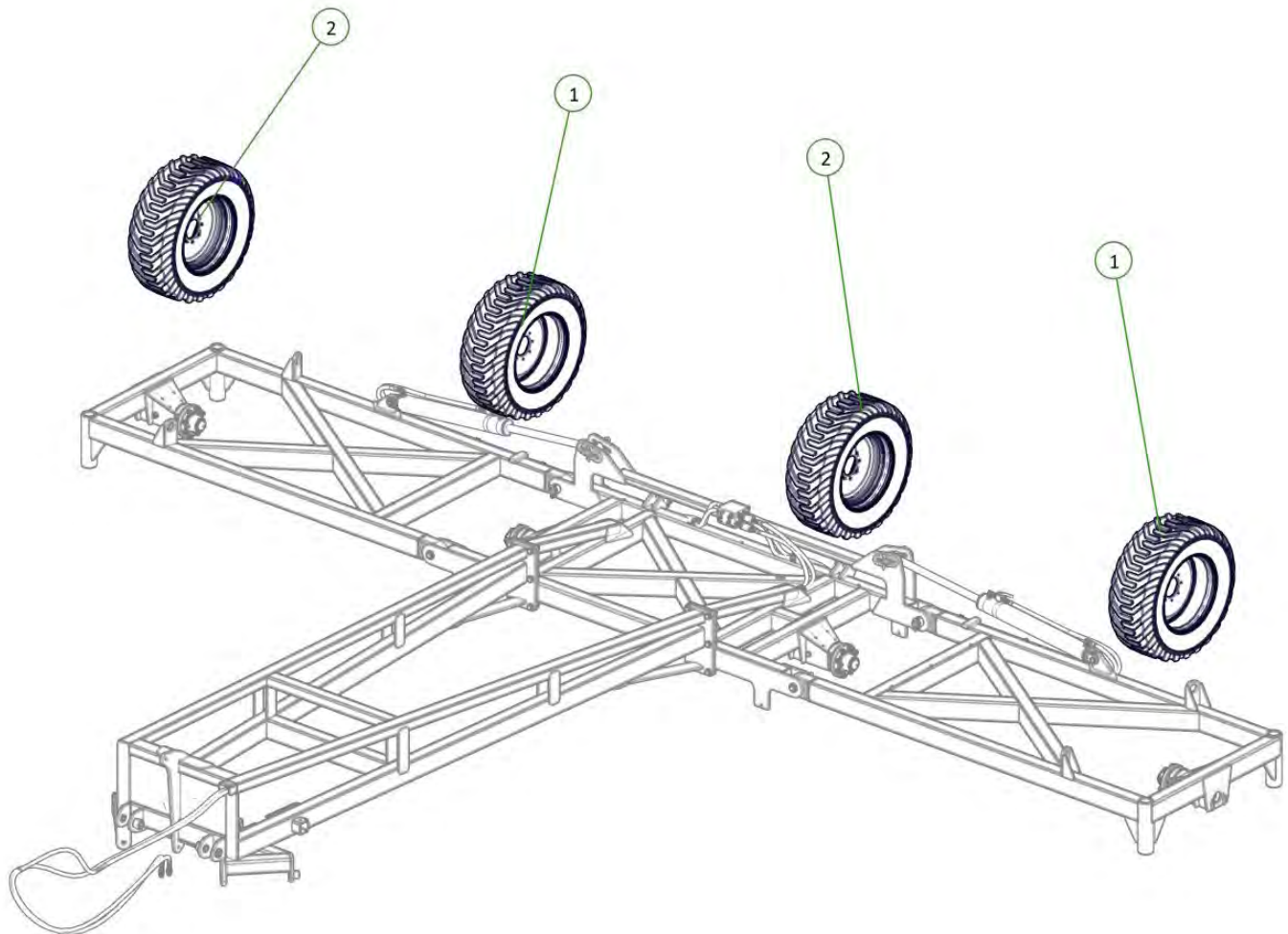
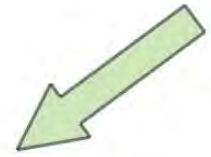
Cycle cylinders to expel air from system



Item No.	Description	Number	Qty
1	Front A Frame	0830-02-3	1
2	M24 x 80 Class 8.8 ZP Bolt	0211-2480	12
3	Nyloc Nut M24	0221-NYL24	12
4	Washer Flat M24	0231-F24	24



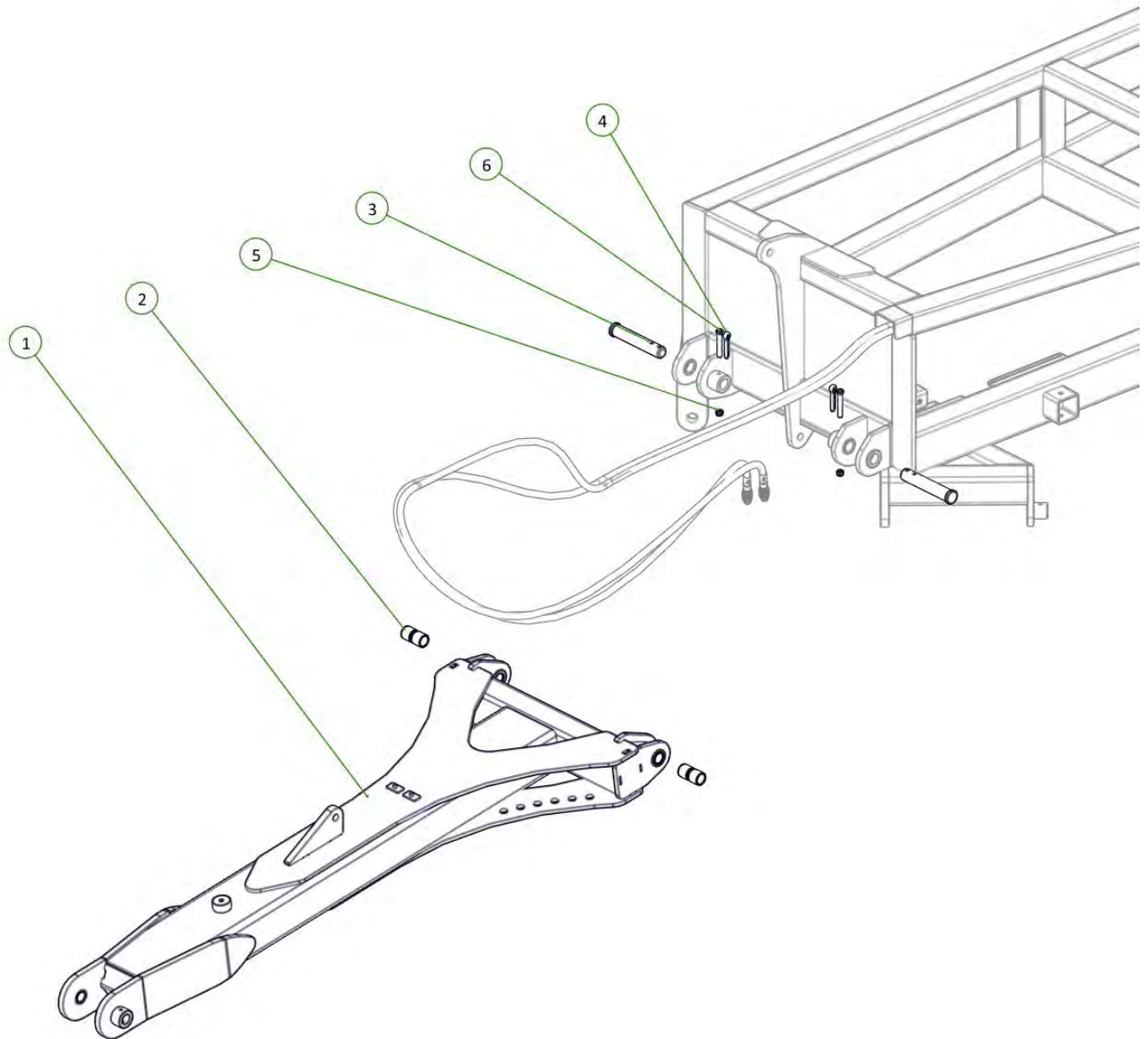
Item No.	Description	Number	Qty
1	400/55-22.5 Tyre on 8 on 8" PCD Rim (Left Hand)	0751-400-55-22.5TR-L	2
2	400/55-22.5 Tyre on 8 on 8" PCD Rim (Right Hand)	0751-400-55-22.5TR-R	2



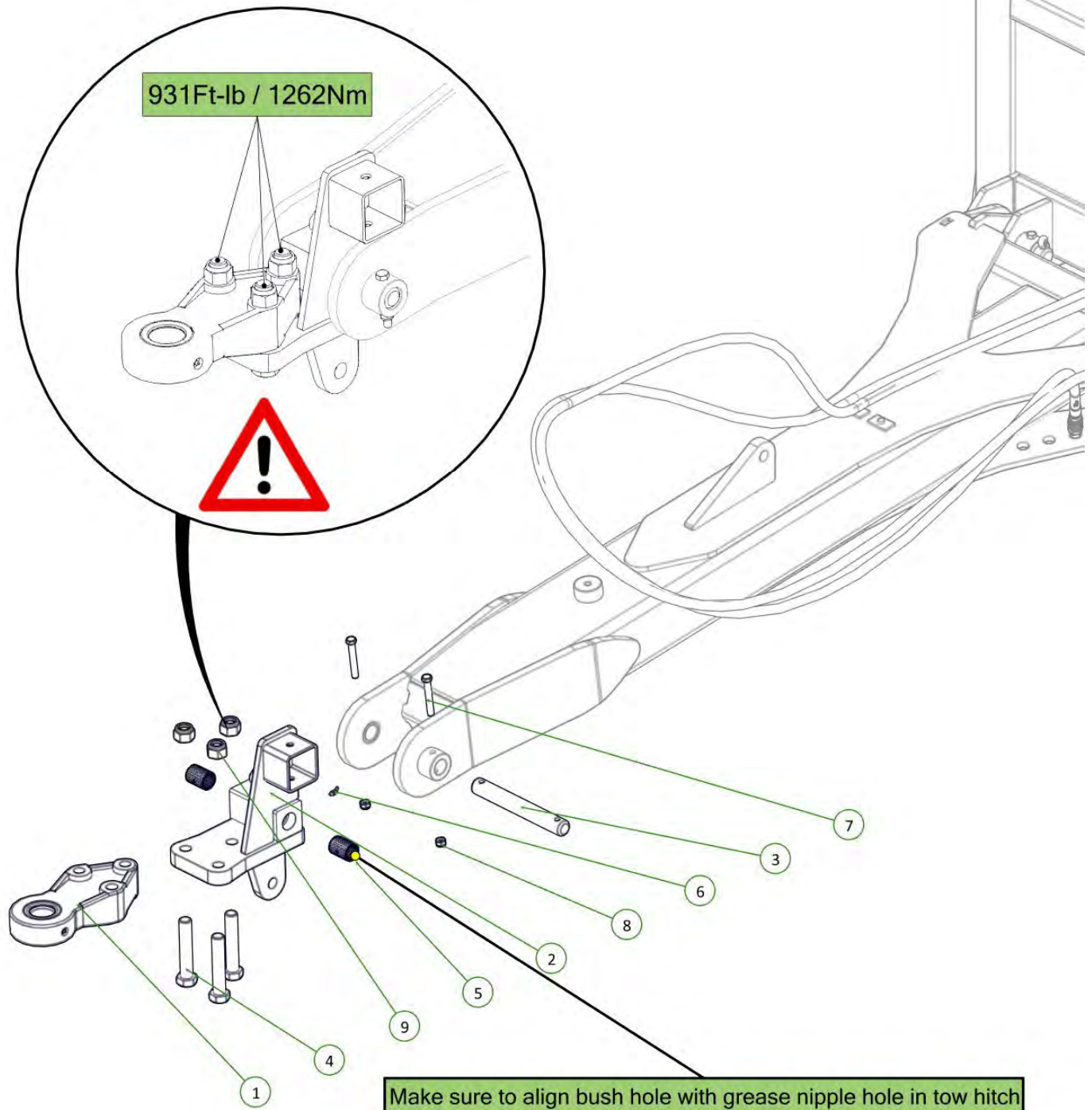
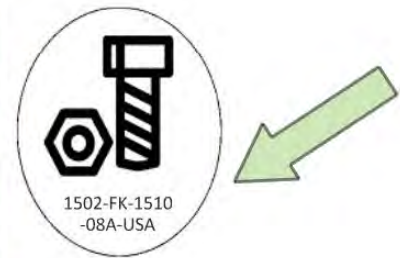
Note tread direction

Torque wheel nuts to 100ft-lb / 140Nm

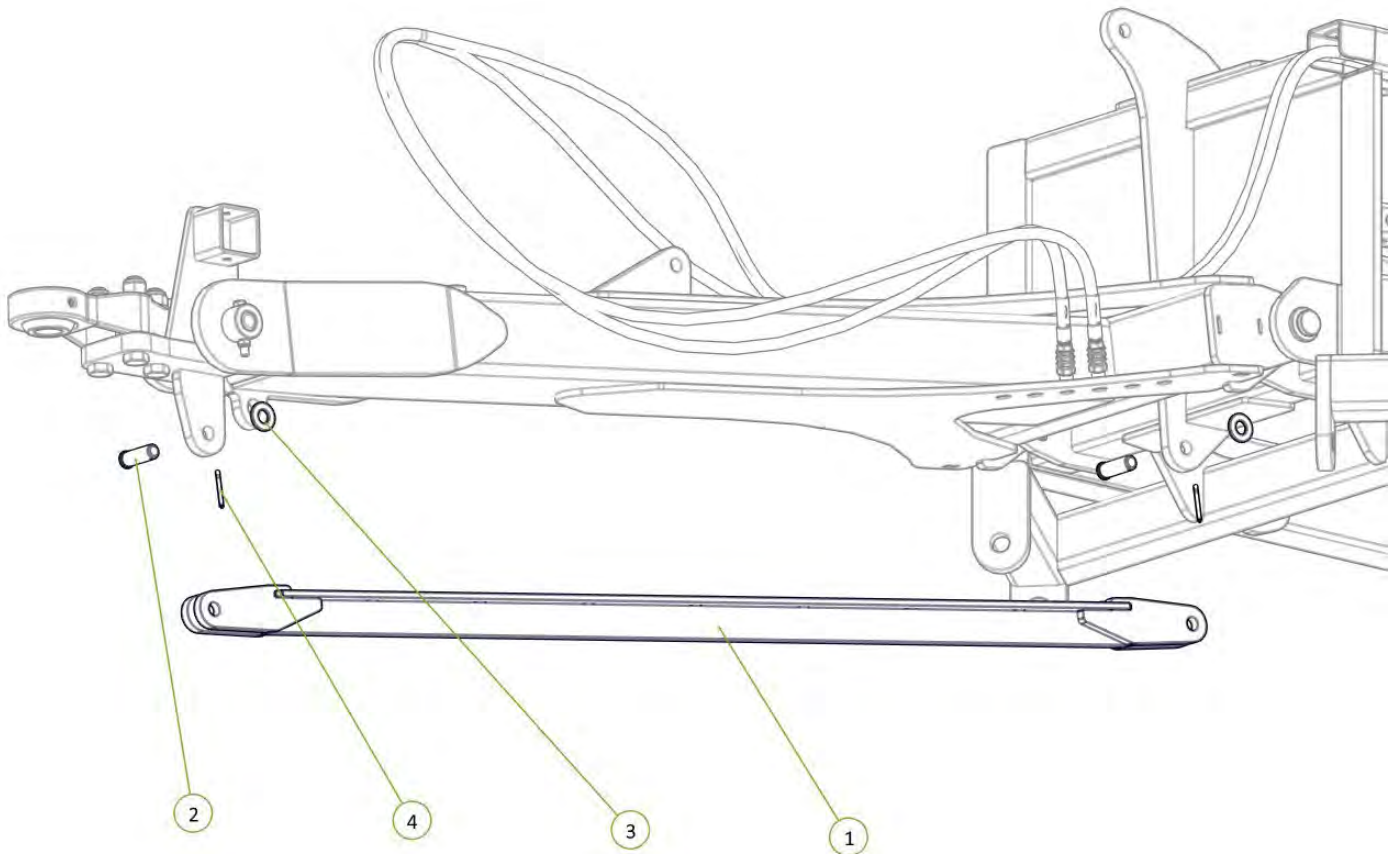
Item No.	Description	Number	Qty
1	Tapered T-Bar Drawbar	1510-08-2	1
2	Drawbar Pivot Bush	0801-B423838	4
3	Walking Axle Linkage Pivot Pin	1601-P38-220	2
4	Cotter Pin M13 x 63	0261-PINC1363	2
5	Nyloc Nut M12	0221-NYL12	2
6	M12 x 90 Class 8.8 ZP Bolt	0211-1290	2



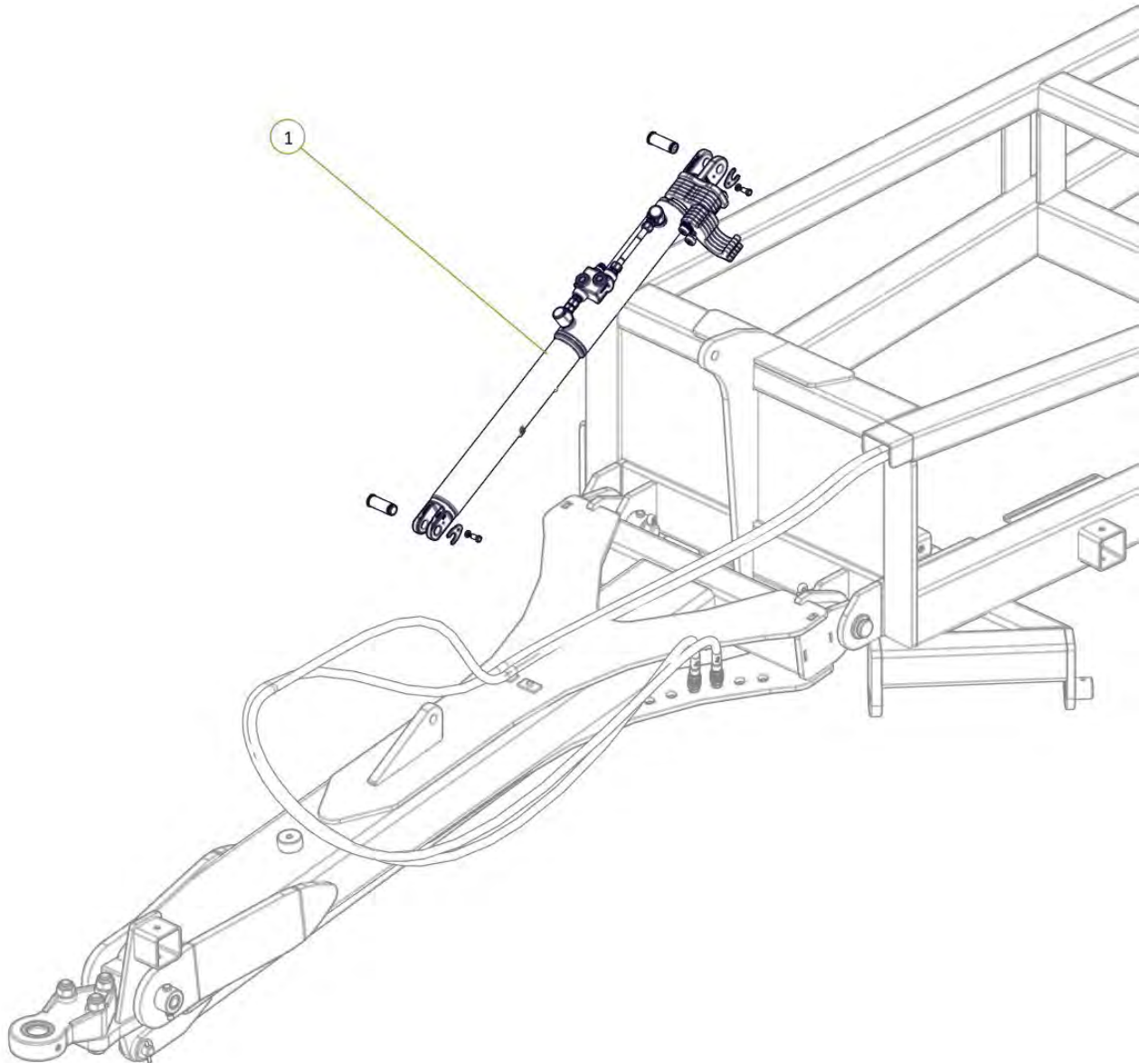
Item No.	Description	Number	Qty
1	Bull Pull Swivel Hitch CAT 4 wt 1-1/2' Insert	0801-BPF-CAT-4JDF-2	1
2	Tow Hitch For Bull Pull Swivel Hitch	0810-09-BP	1
3	Tow Hitch Pivot Pin	0801-10-14	1
4	1" x 5-1/2" UNF Grade 8 ZP Bolt	0213-1 51-2	3
5	35 ID x 50mm DX Bush	0113-MB3550DX	2
6	Grease Nipple 1/4" UNF 45°	0181-GN1/445	2
7	M12 x 90 Class 8.8 ZP Bolt	0211-1290	2
8	Nyloc Nut M12	0221-NYL12	2
9	Nyloc Nut 1" UNF	0223-NYL1	3



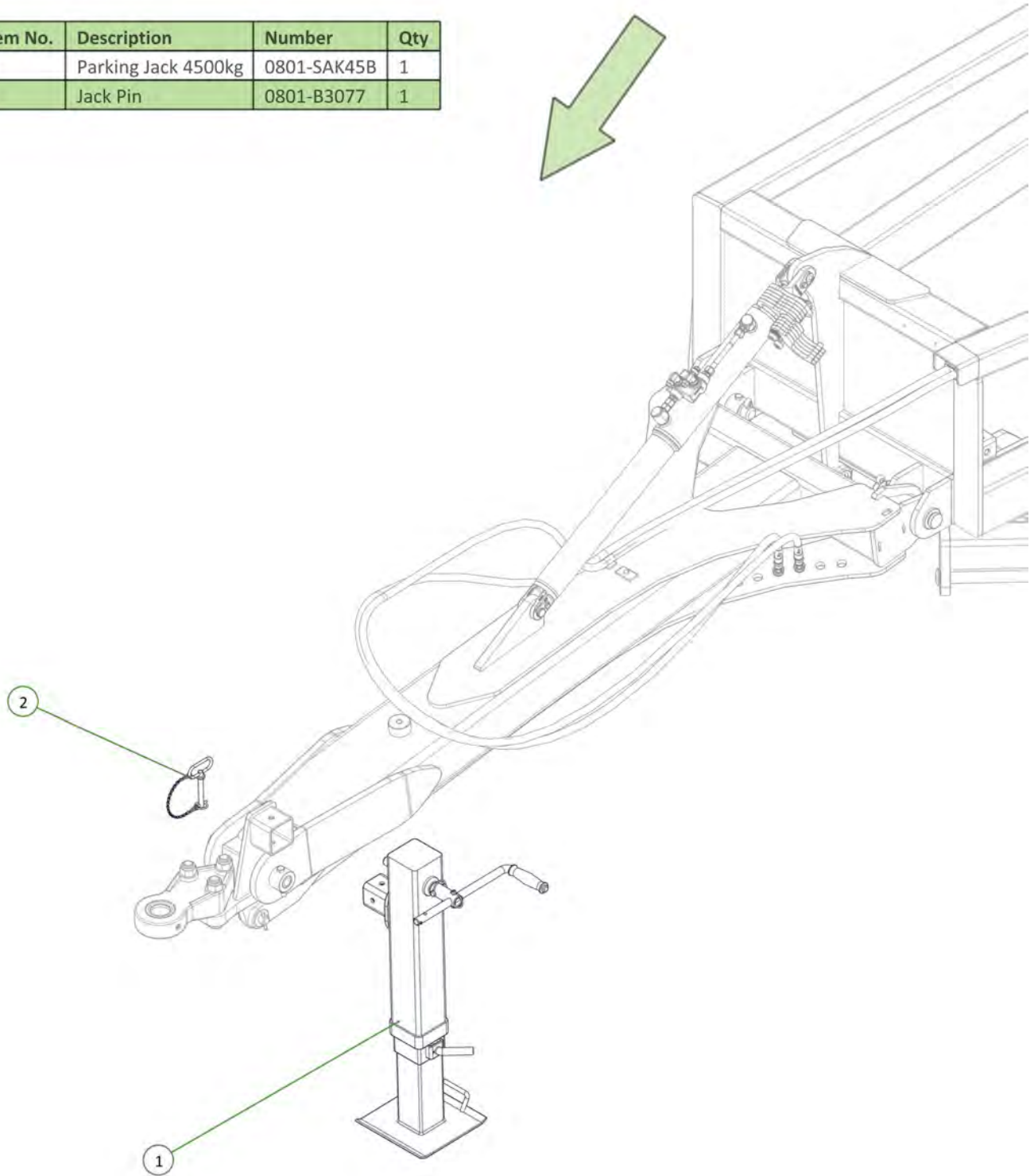
Item No.	Description	Number	Qty
1	Parallel Arm	0810-58	1
2	Clevis Pin 25mm x 75mm	0801-KE0307-1	2
3	Washer Flat 1"	0232-F1	2
4	Cotter Pin M5 x 50	0261-PINC550	2



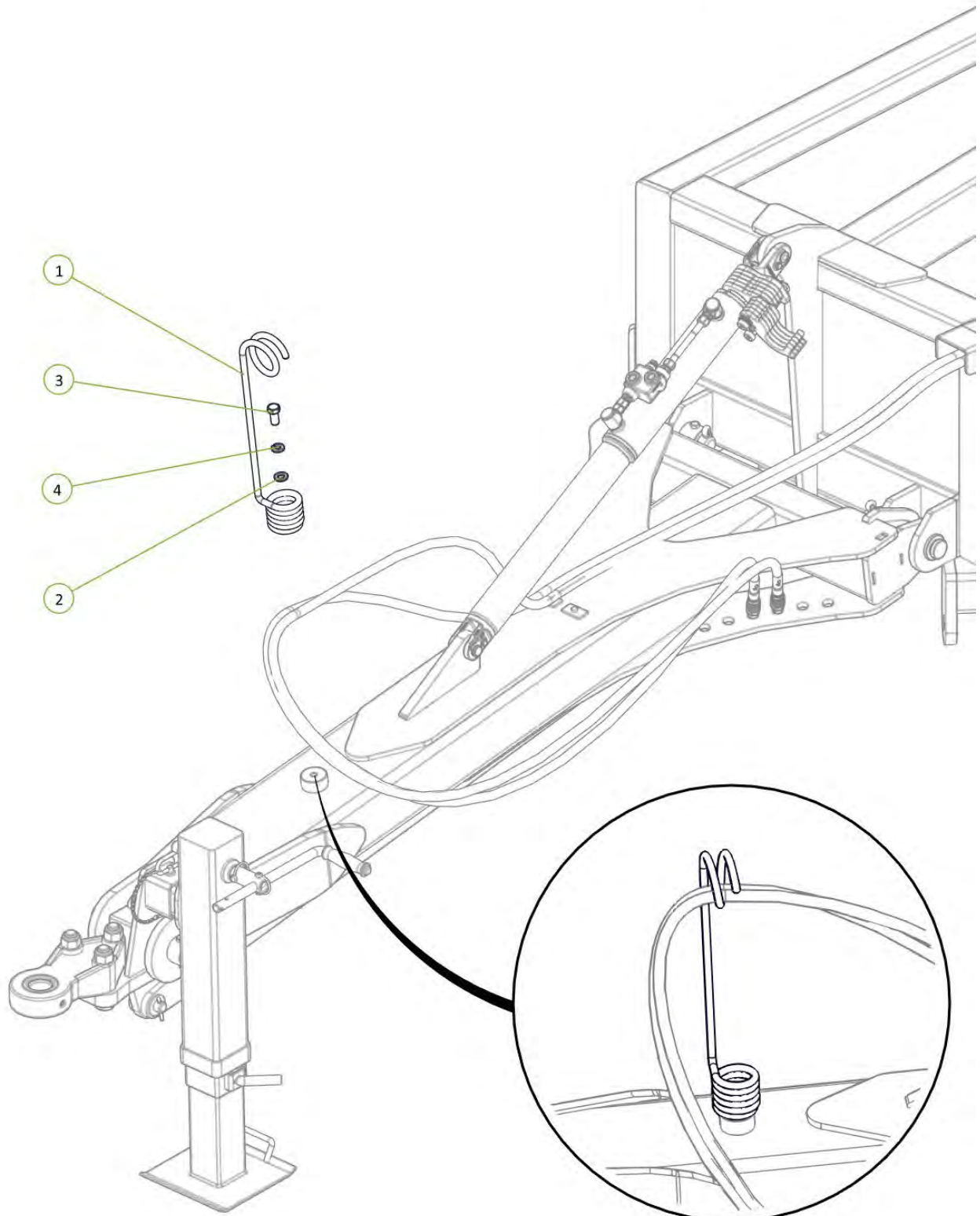
Item No.	Description	Number	Qty
1	3" Bore x 12" Stroke 1.5" Rod Extended Hydraulic Cylinder	0311-312EXT	1

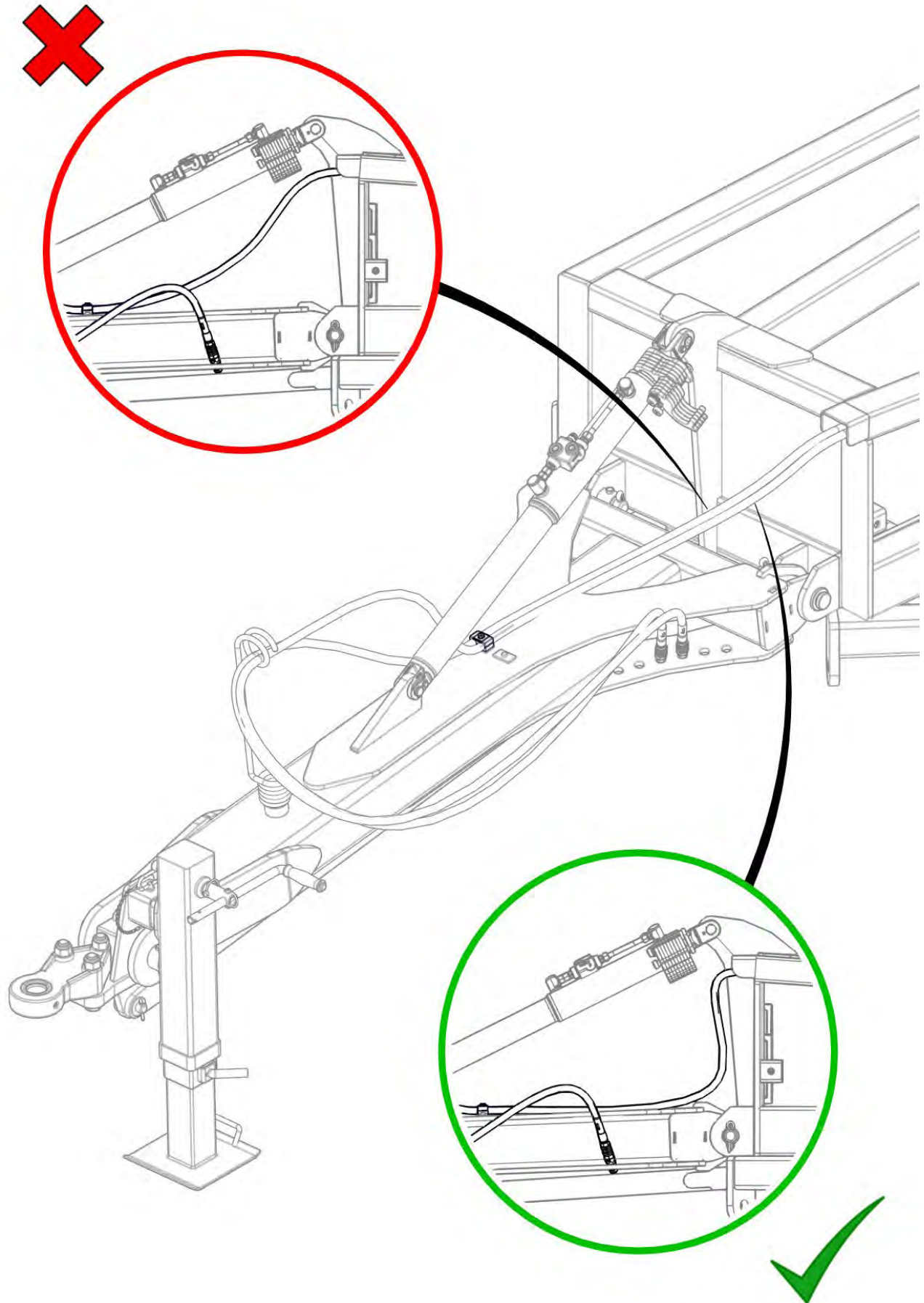


Item No.	Description	Number	Qty
1	Parking Jack 4500kg	0801-SAK45B	1
2	Jack Pin	0801-B3077	1

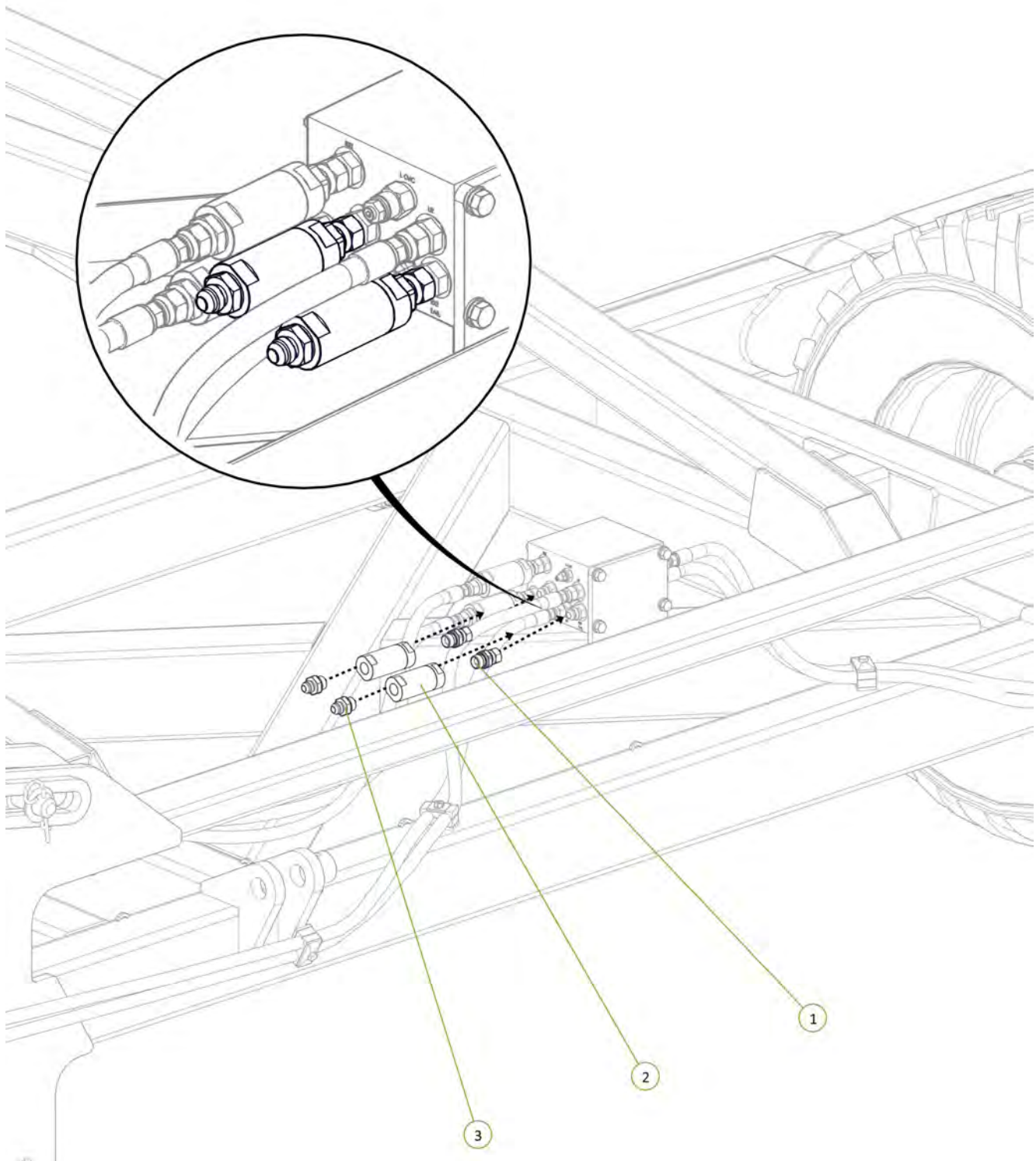


Item No.	Description	Number	Qty
1	Hose Post Spring	1601-CDB-00-0012	1
2	Washer Flat M16	0231-F16	1
3	M16 x 35 Class 8.8 ZP Bolt	0211-1635	1
4	Washer Spring M16	0231-S16	1

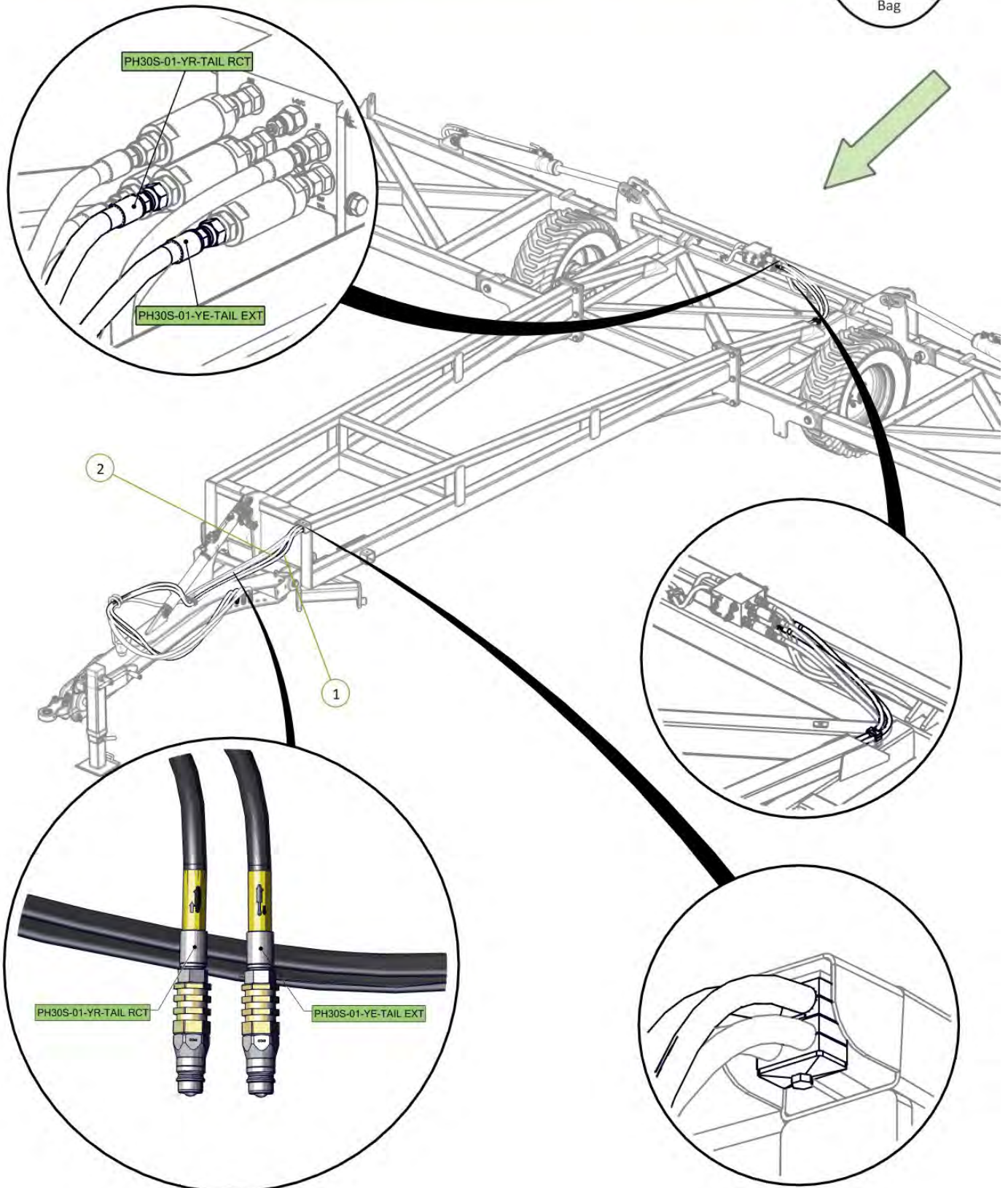


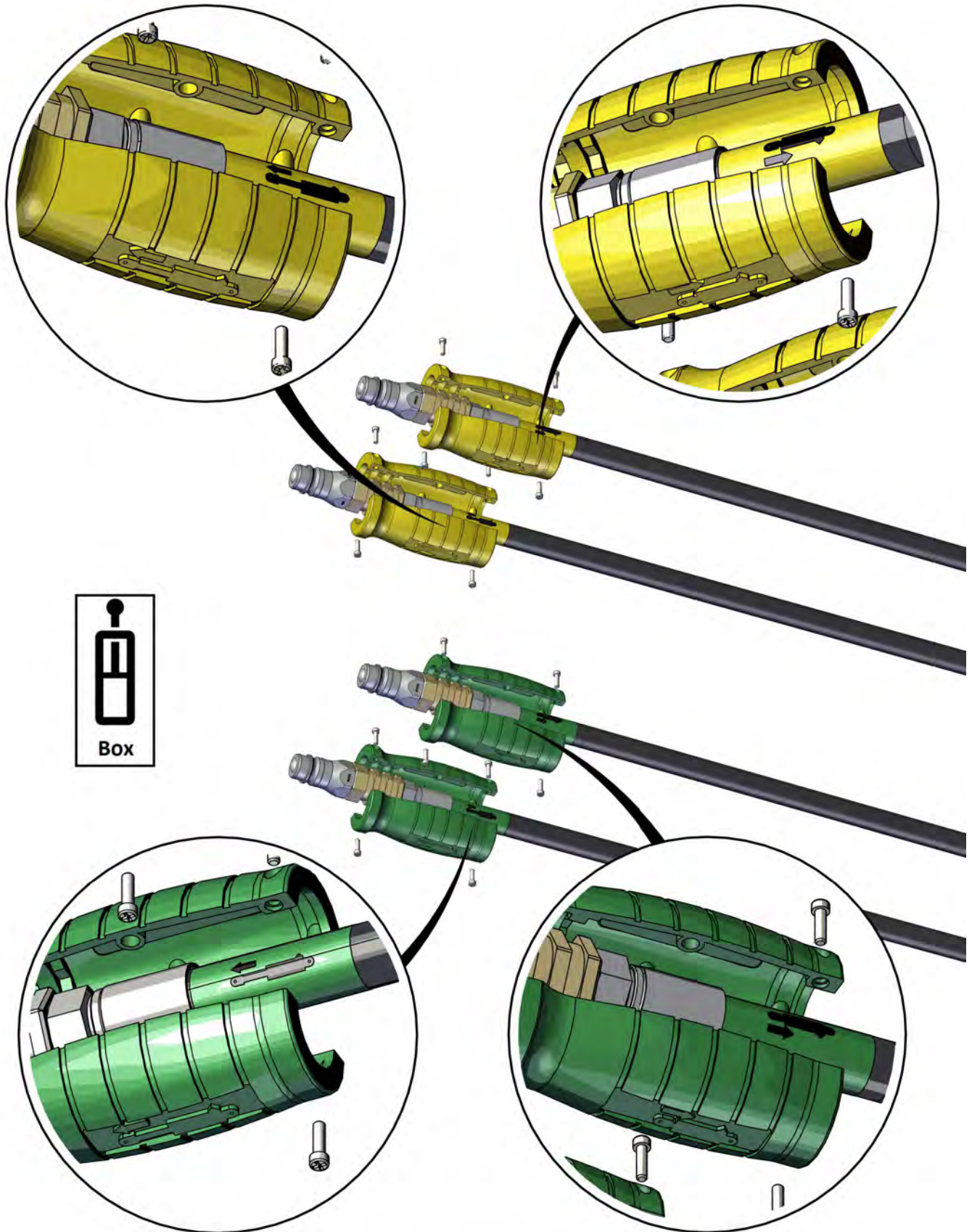


Item No.	Description	Number	Qty
1	1/2" BSPP Encapt Male 3/4" JIC Female Swive Adaptor	0323-S71-0812	2
2	In Line Hydraulic Oil Filter	0343-924001261	2
3	1/2" BSPP Encapt Male 3/4" JIC Male Adaptor	0323-S74-0812	2



Item No.	Description	Number	Qty
1	Tractor to Sequence Valve TAIL EXT Port fitted with Yellow Extend Decal	PH30S-01-YE-TAIL EXT	1
2	Tractor to Sequence Valve TAIL RET Port fitted with Yellow Retract Decal	PH30S-01-YR-TAIL RCT	1

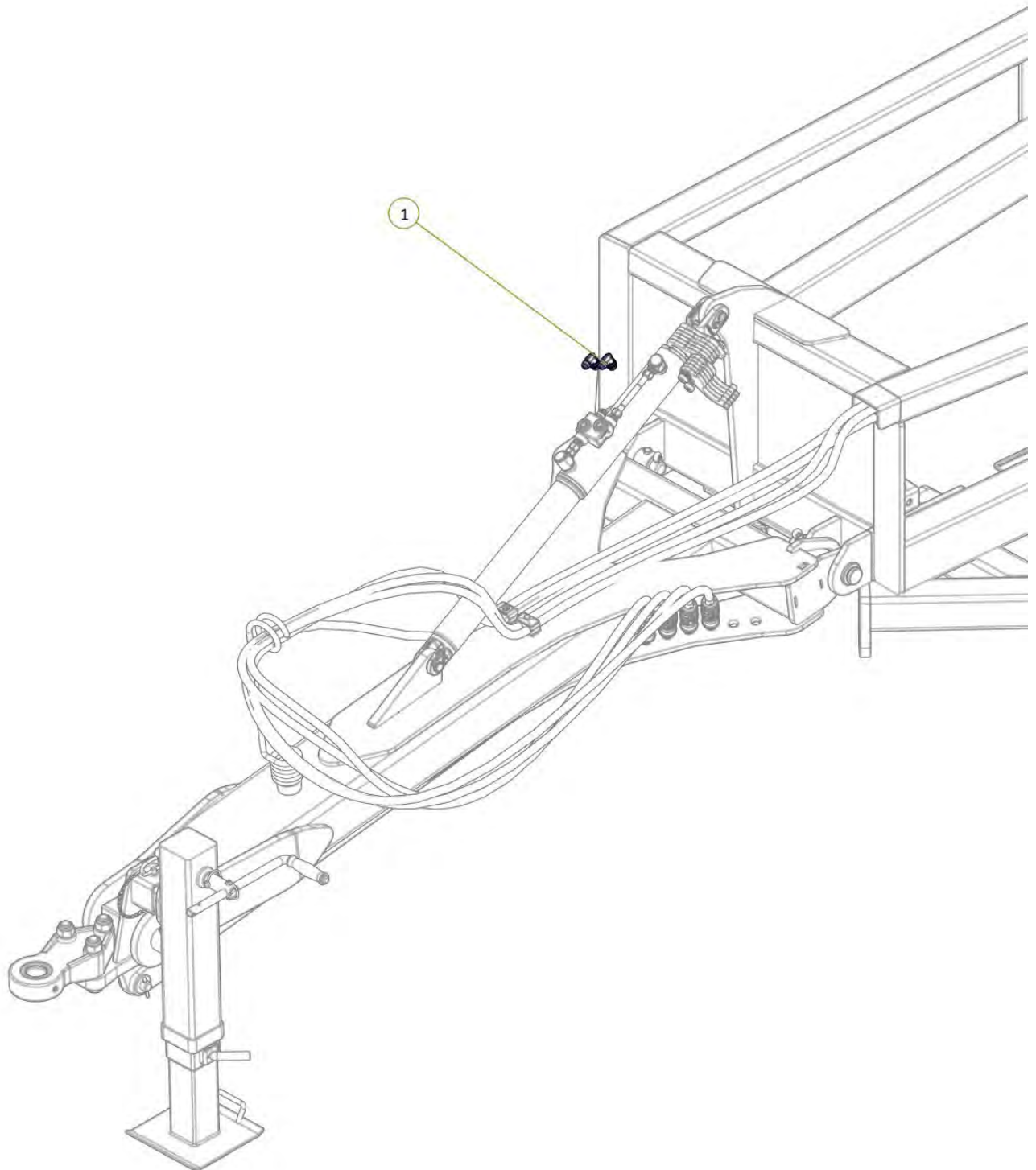
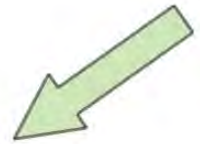




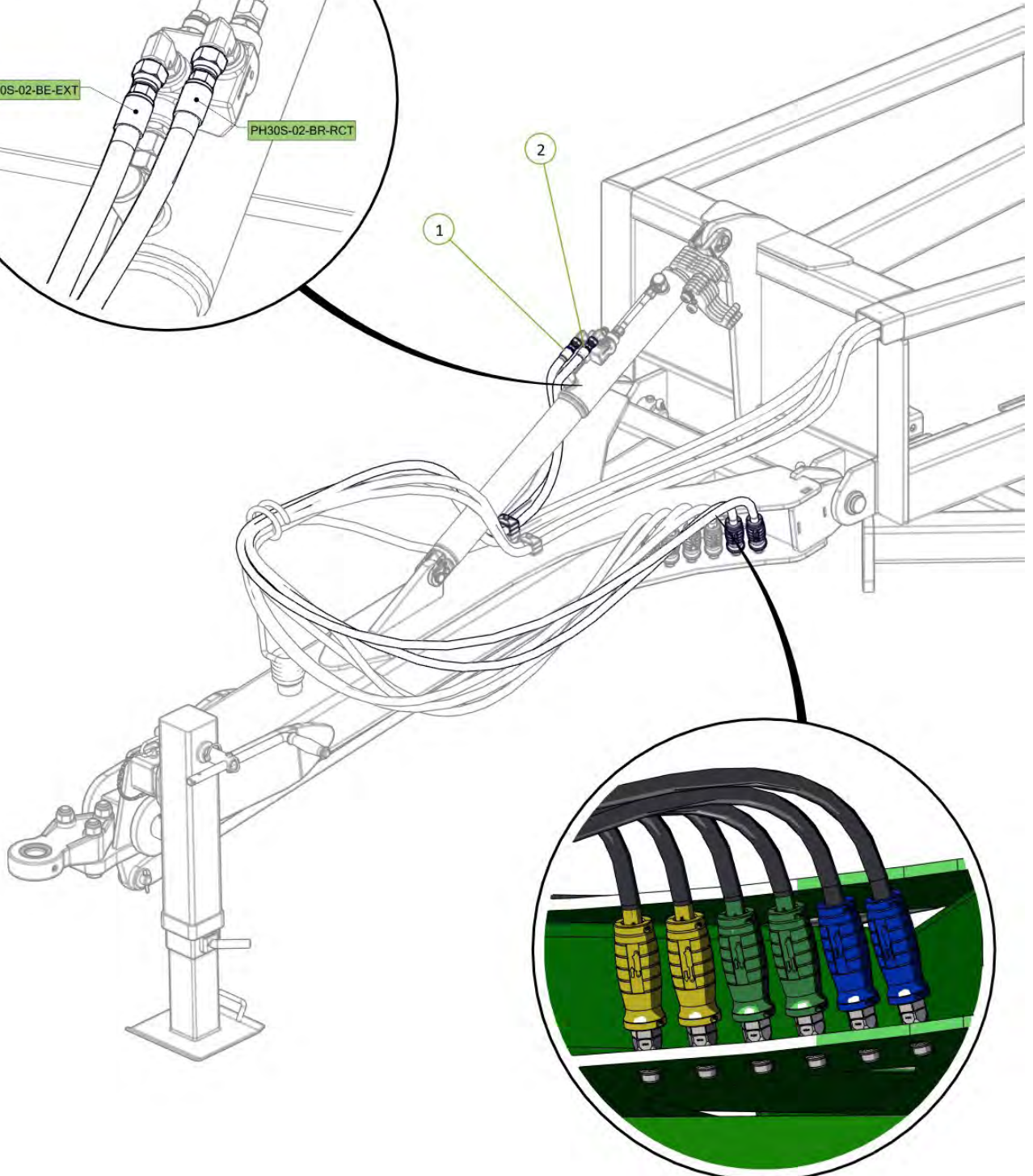
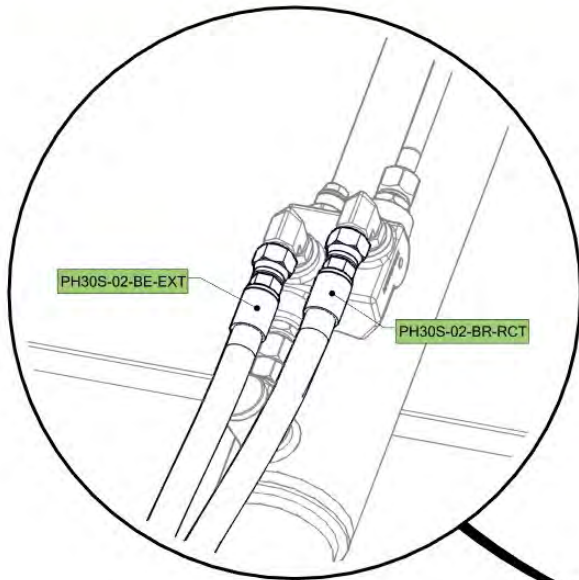
Hose grip handles fitted as per stickers on hoses



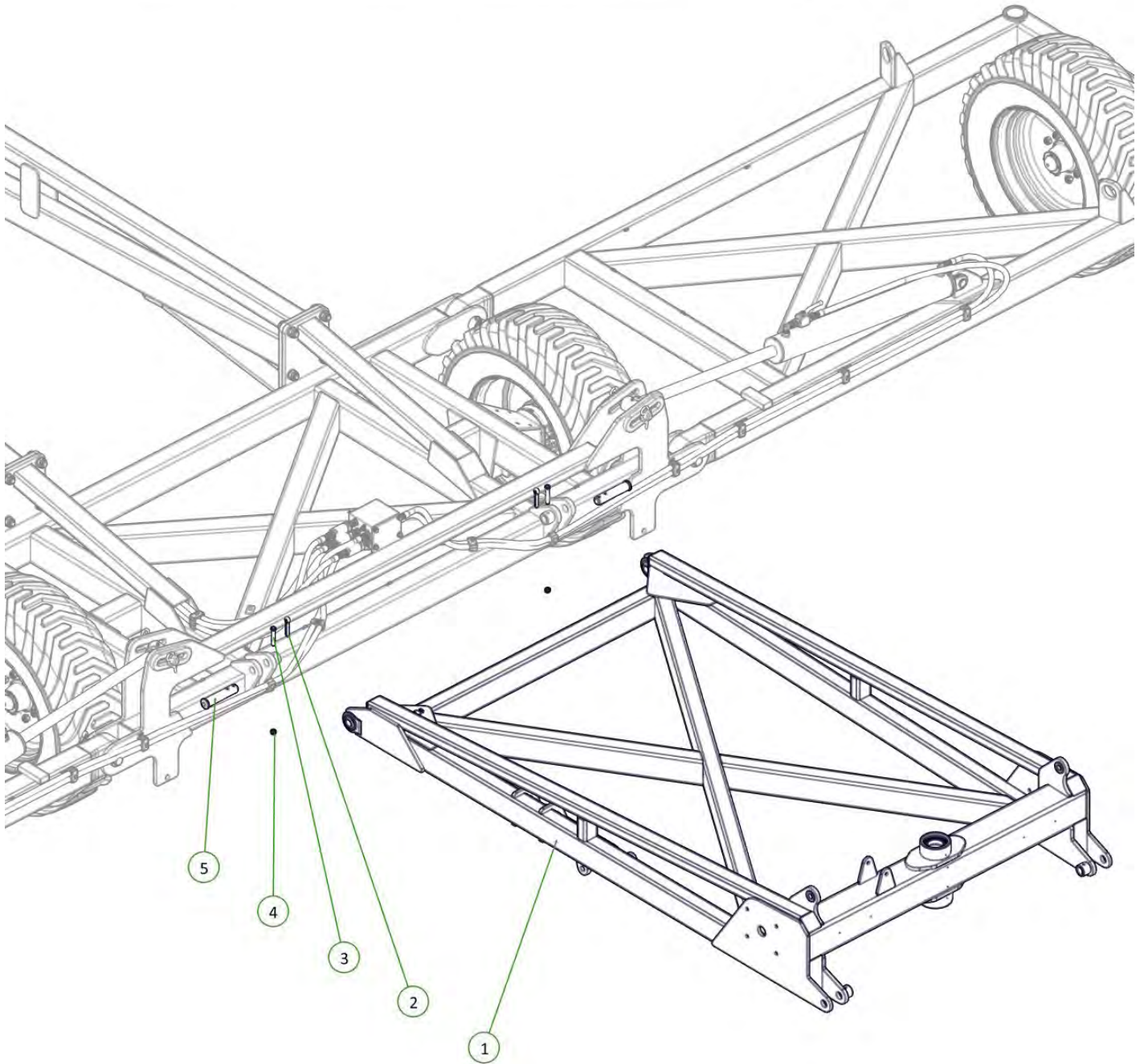
Item No.	Description	Number	Qty
1	3/4" JIC Male 3/4" UN O Ring Male 90° Elbow	0323-S91-1212	2



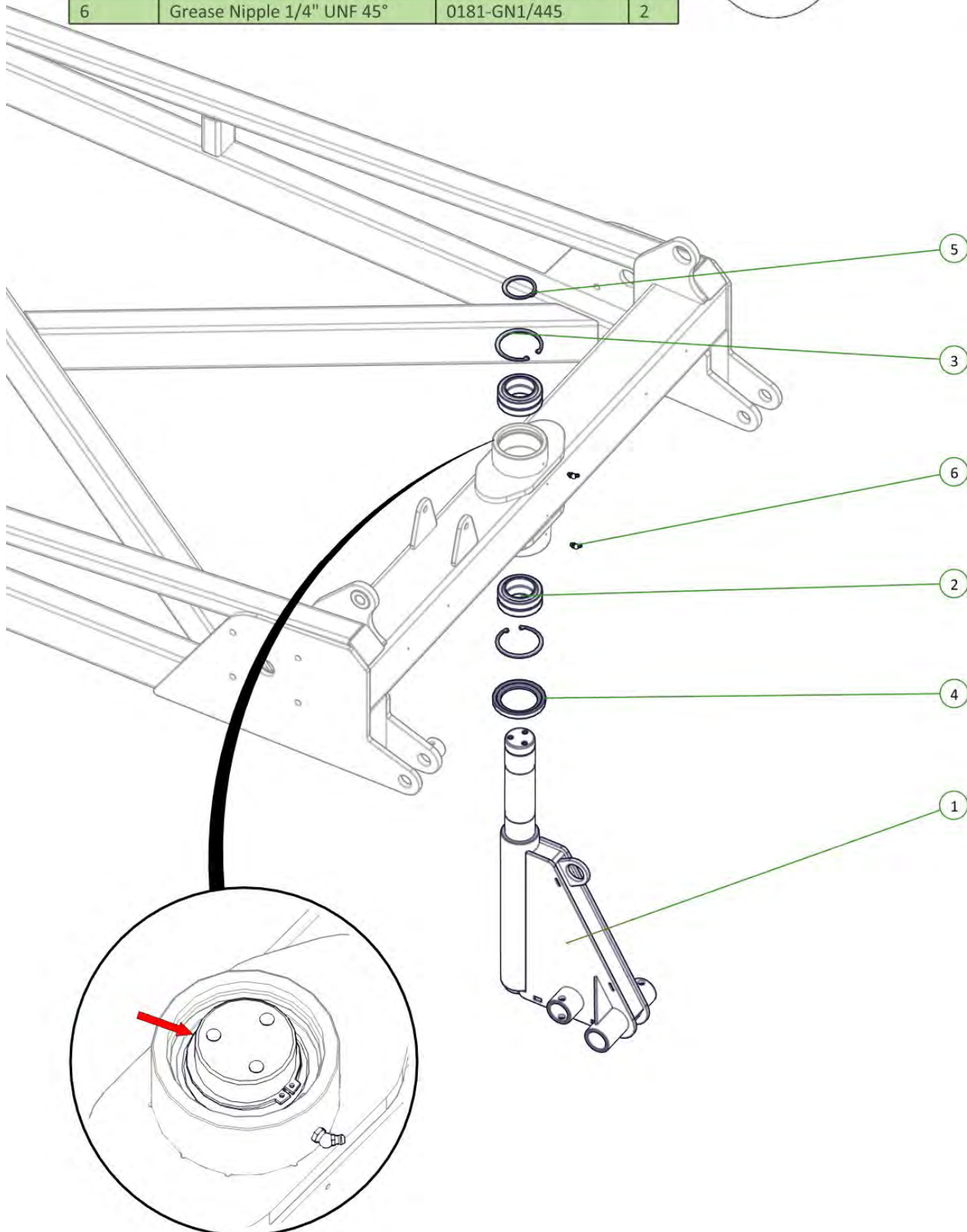
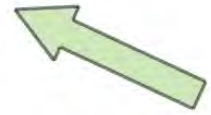
Item No.	Description	Number	Qty
1	Tractor to Front Lift Cylinder Extend Port fitted with Blue Extend Grip	PH30S-02-BE-EXT	1
2	Tractor to Front Lift Cylinder Retract Port fitted with Blue Retract Grip	PH30S-02-BR-RCT	1



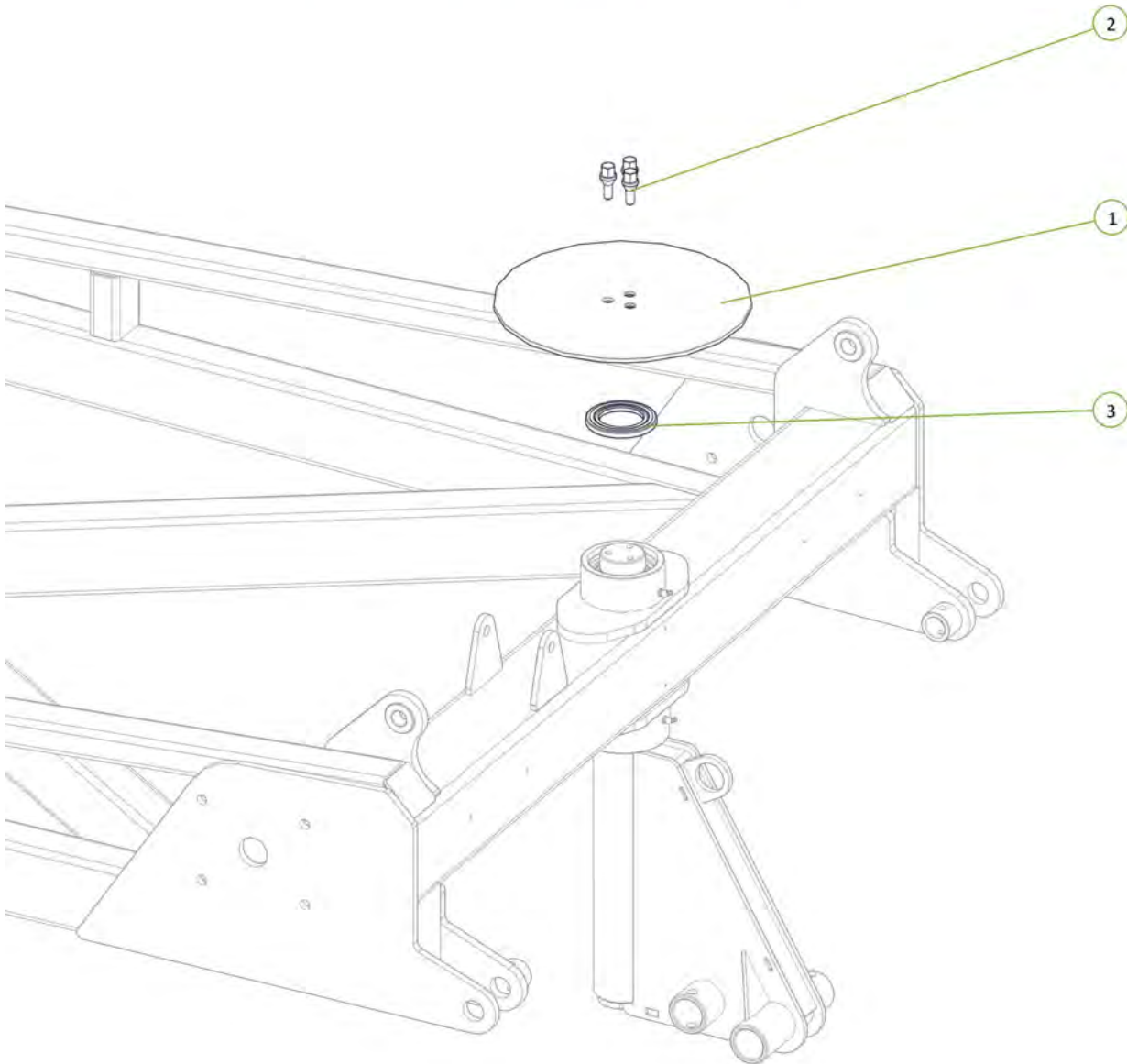
Item No.	Description	Number	Qty
1	3009 Rear A-Frame	0830-03-3	1
2	Cotter Pin M13 x 63	0261-PINC1363	2
3	M12 x 80 Class 8.8 ZP Bolt	0211-1280	2
4	Nyloc Nut M12	0221-NYL12	2
5	Tail Frame Pivot pin	0801-10-08-175	2



Item No.	Description	Number	Qty
1	70mm Jockey Wheel (Sleeved)	1610-12-70	1
2	Plain Spherical Bearing 70mm	0113-GE70DO-2RS	2
3	Circlip Internal 105mm	0171-J105	2
4	TC Seal 90mm x 125mm x 13mm	0121-TC12681	1
5	Circlip External 70mm	0172-D1400-0700APP	1
6	Grease Nipple 1/4" UNF 45°	0181-GN1/445	2

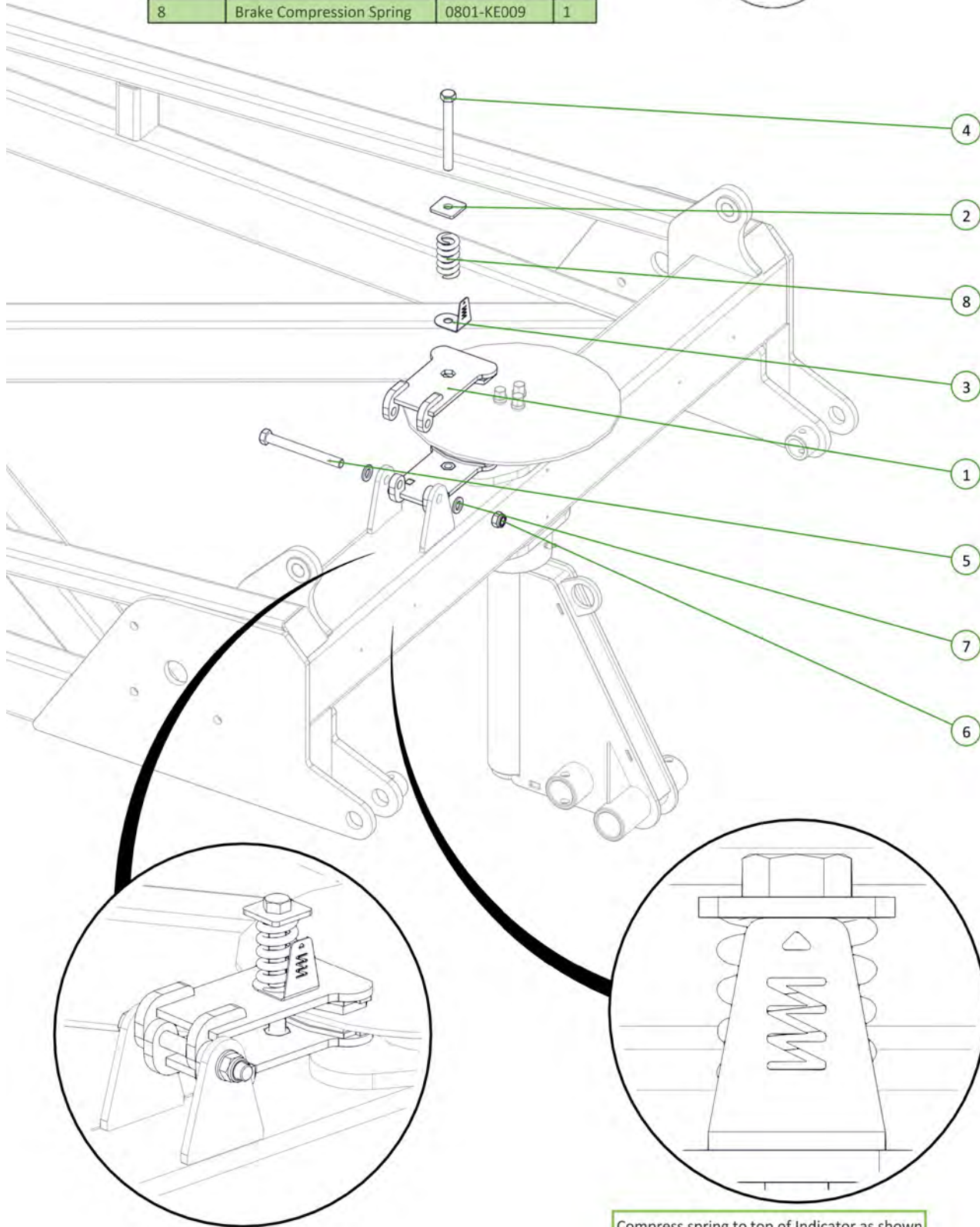


Item No.	Description	Number	Qty
1	Brake Disc	1600-405	1
2	M12 x 24 Wheel Bolt	0216-WB1224	3
3	Seal 70 x 100 x 10mm	0121-TC12654	1



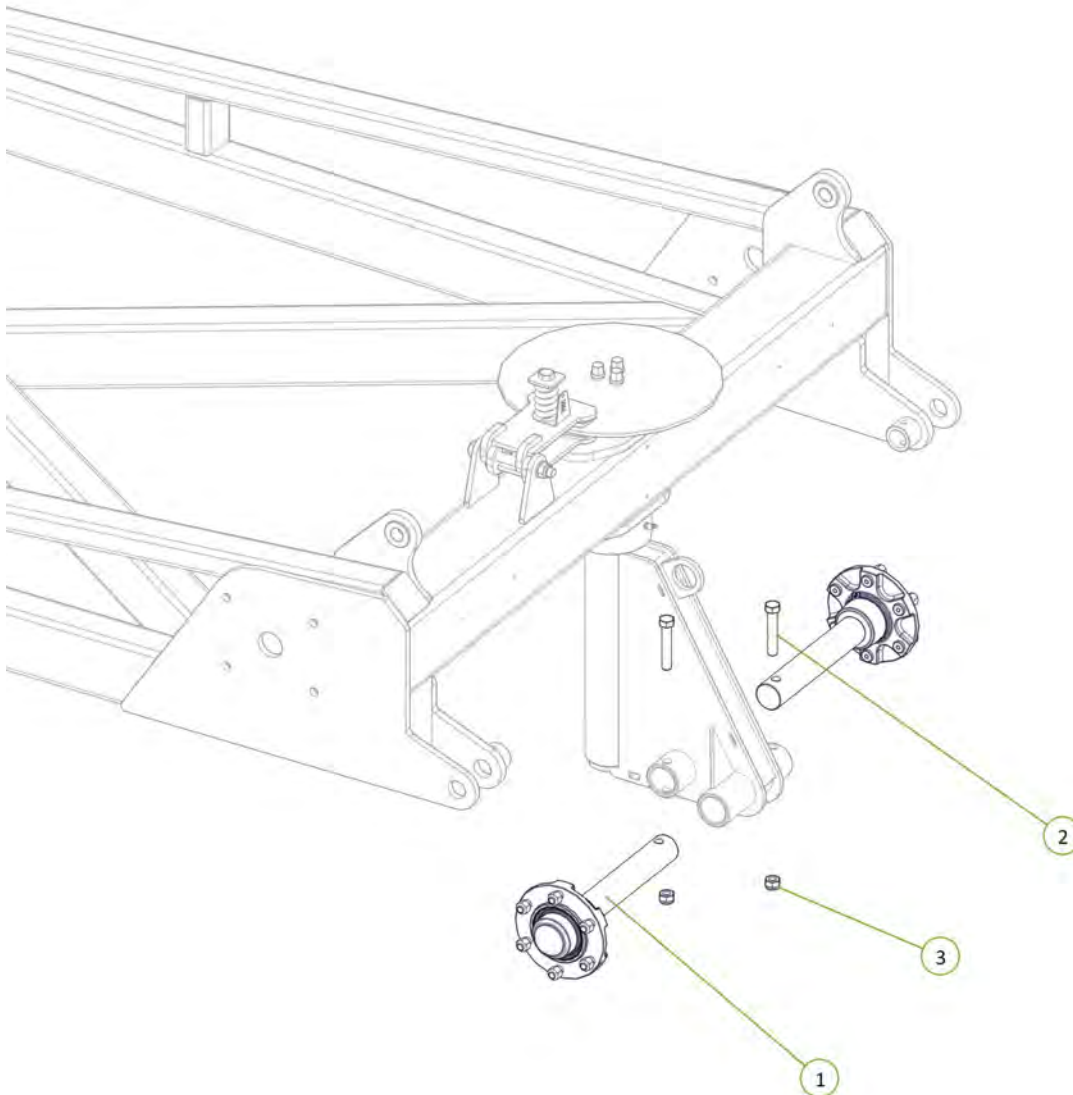
Torque wheel bolts to 65ft-lb / 88Nm

Item No.	Description	Number	Qty
1	Jockey Wheel Brake Caliper	0810-12CAL	1
2	Washer Square M16 x 50 x 5	0231-SQ16505	1
3	Brake Spring Indicator	0800-772	1
4	M16 x 150 Class 8.8 ZP Bolt	0211-16150	1
5	M16 x 160 Class 8.8 ZP Bolt	0211-16160	1
6	Nyloc Nut M16	0221-NYL16	1
7	Washer Flat M16	0231-F16	2
8	Brake Compression Spring	0801-KE009	

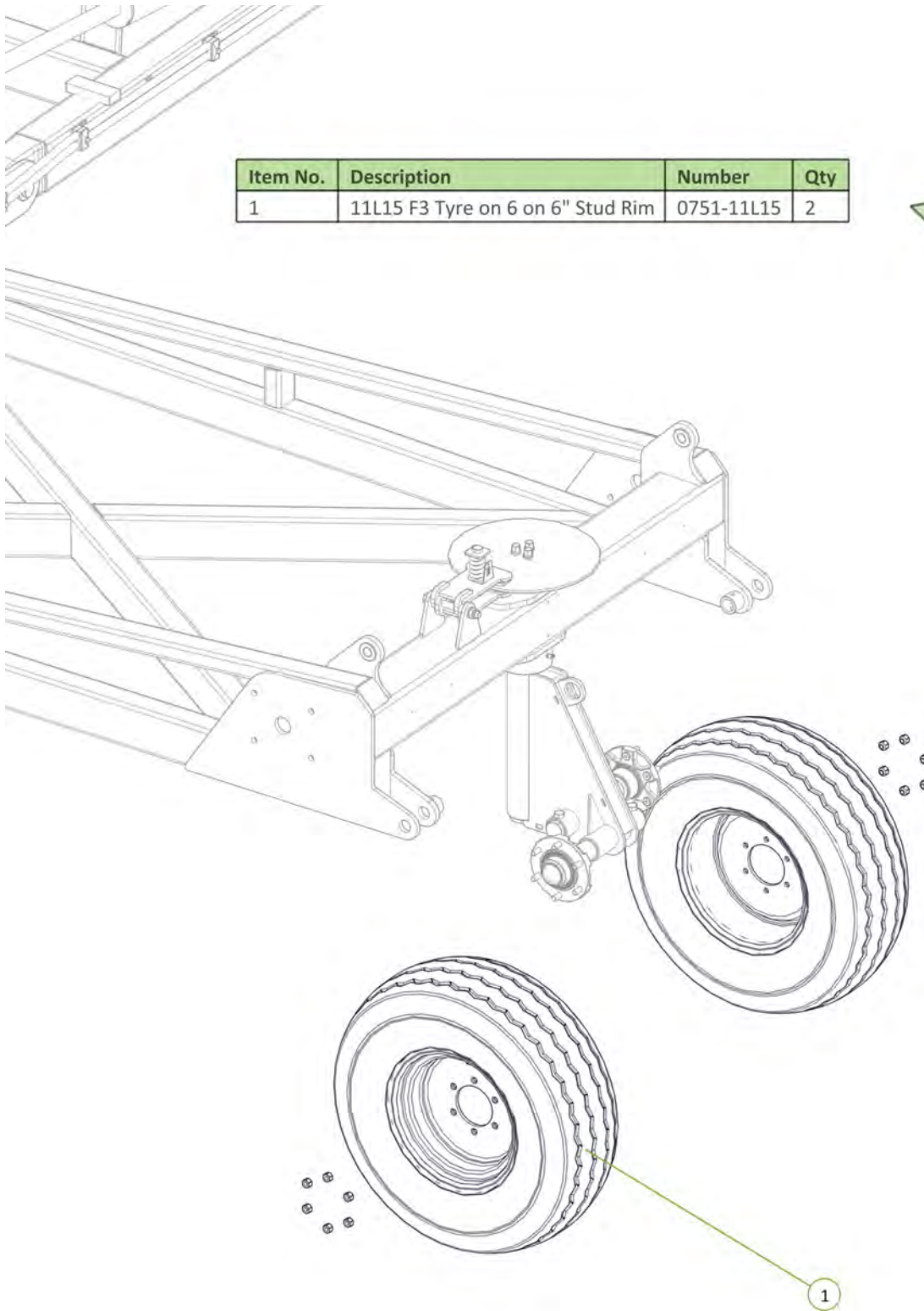


Compress spring to top of Indicator as shown

Item No.	Description	Number	Qty
1	Axle 2"R 3T 6 on 6"PCD 330 OHF Complete Assembly Inc GS	0733-LG8880093	2
2	M16 x 90 grade 8.8 zp Bolt	0211-16	2
3	Nyloc Nut M16	0221-NYL16	2

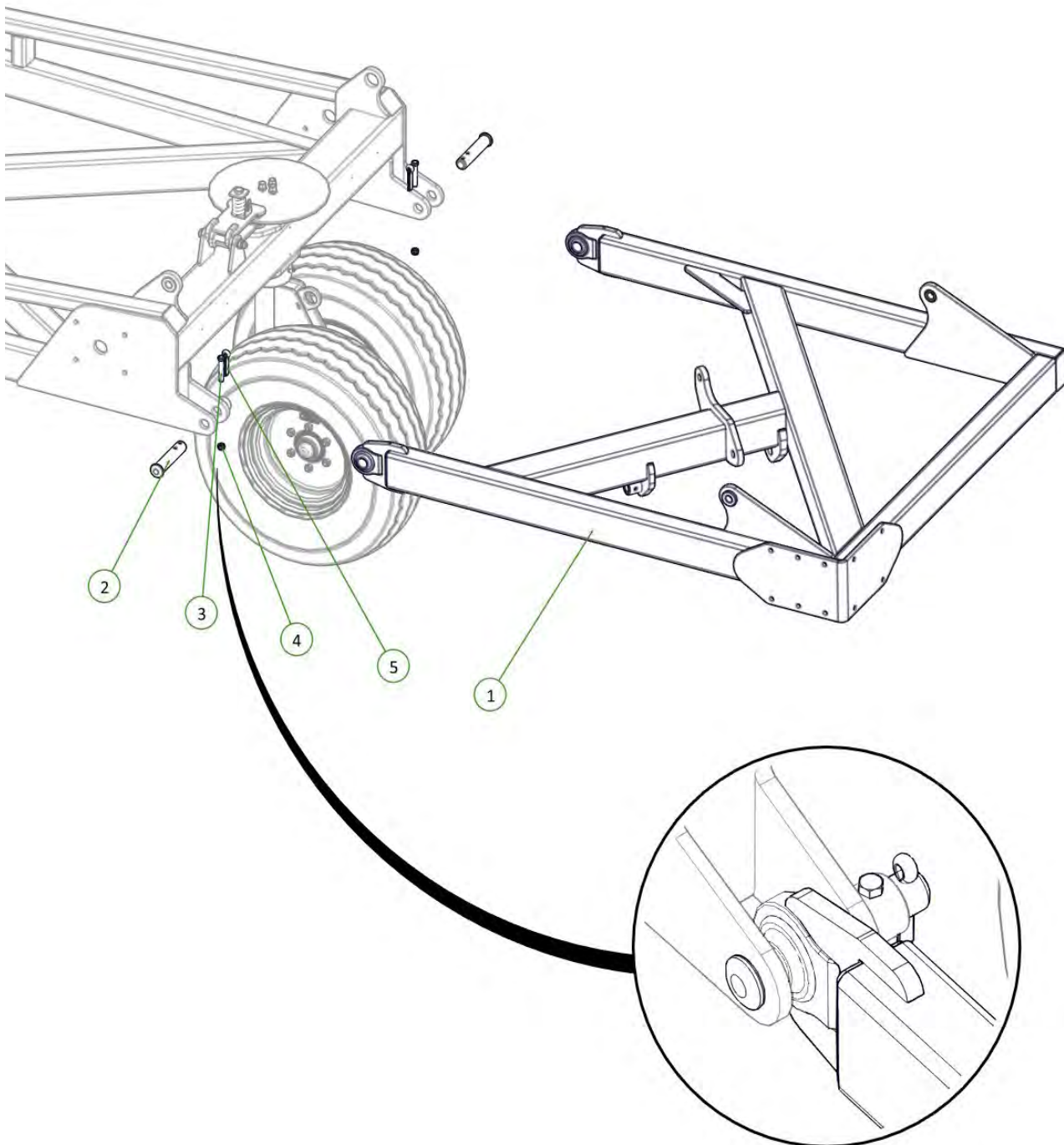


Item No.	Description	Number	Qty
1	11L15 F3 Tyre on 6 on 6" Stud Rim	0751-11L15	2

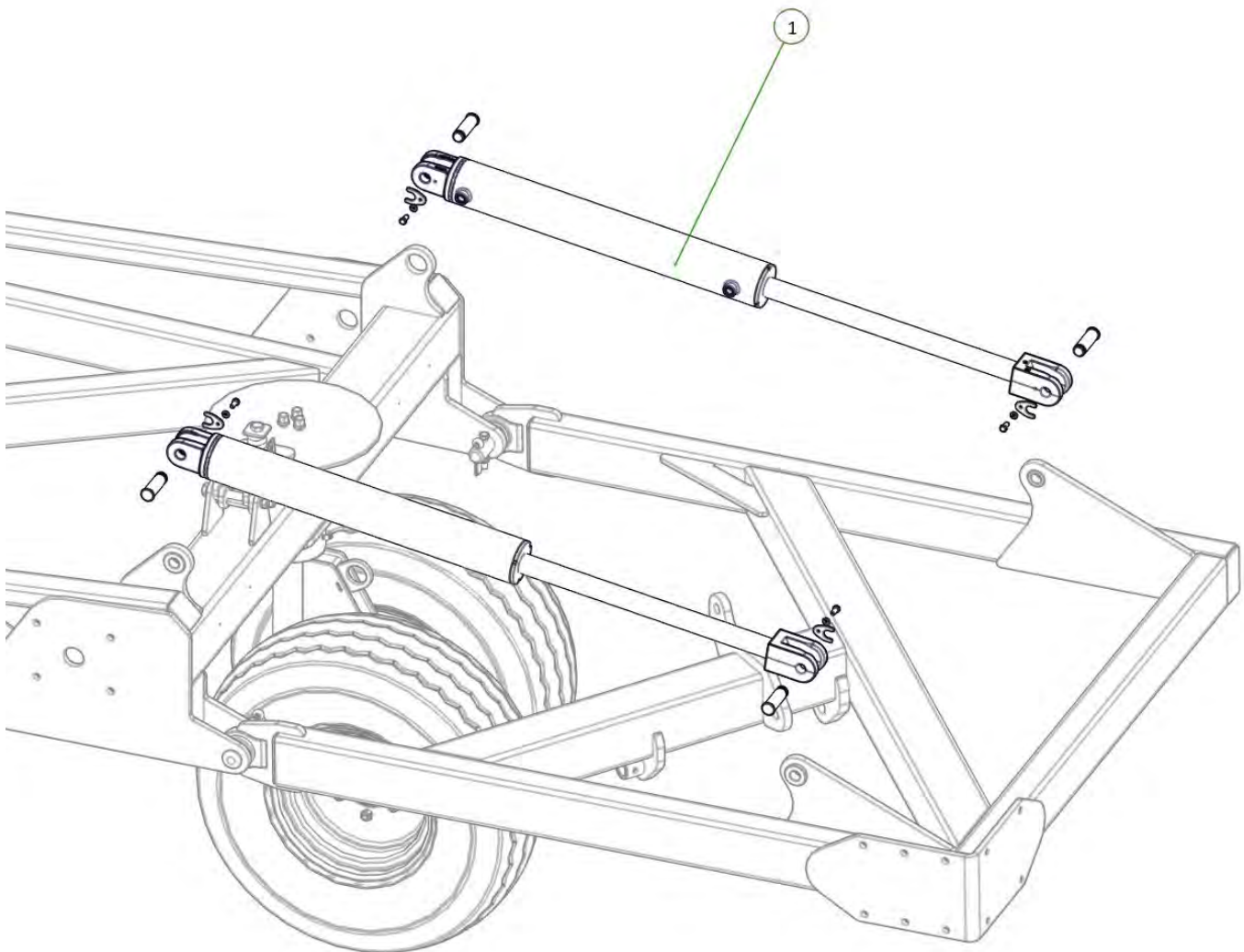


Torque wheel nuts to 90ft-lb / 125Nm

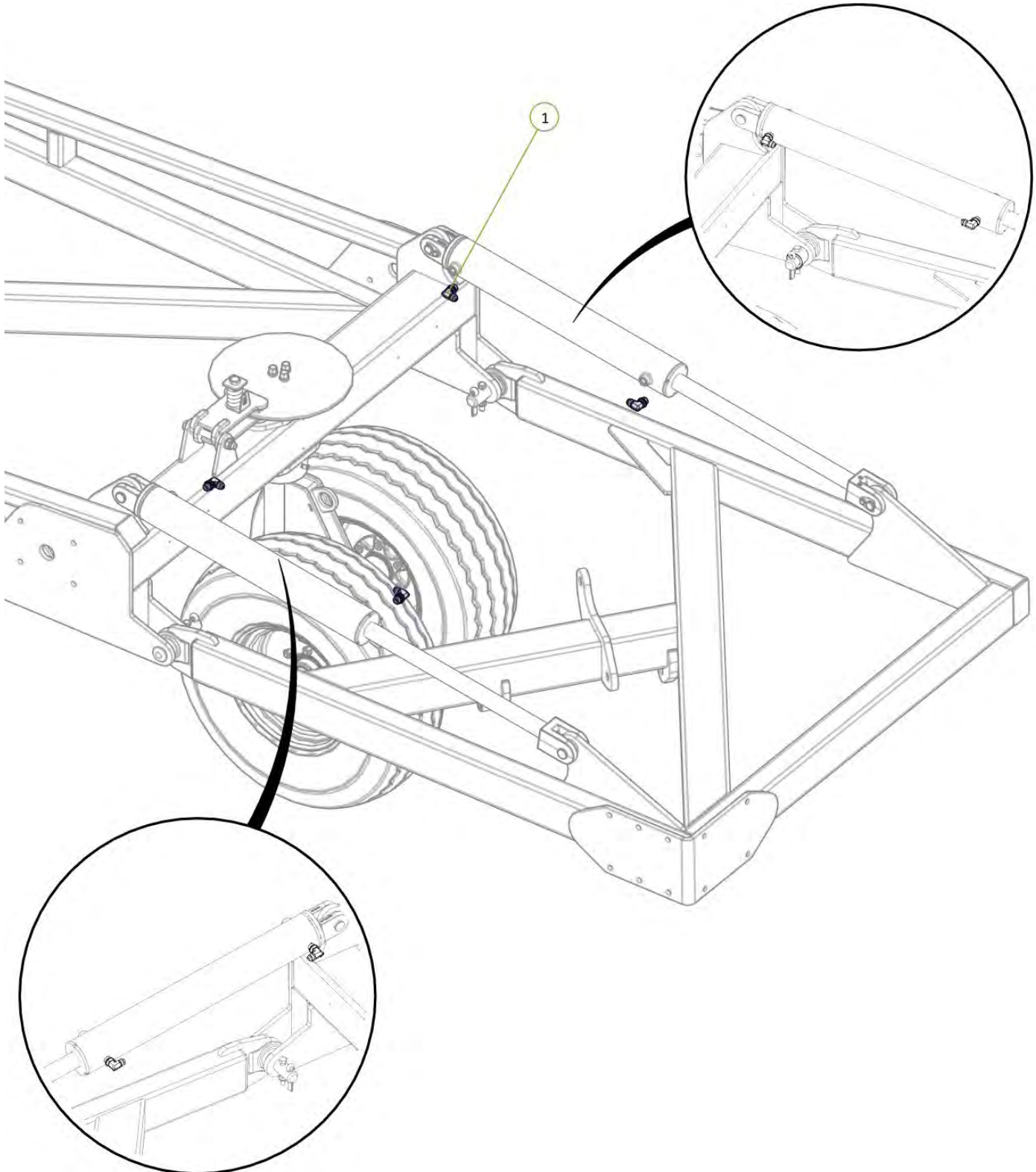
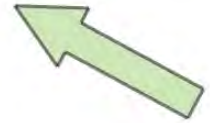
Item No.	Description	Number	Qty
1	Extended Tip Rear Tail	0810-10E-2	1
2	Tail Frame Pivot pin	0801-10-08-175	2
3	M12 x 80 Class 8.8 ZP Bolt	0211-1280	2
4	Nyloc Nut M12	0221-NYL12	2
5	Cotter Pin M13 x 63	0261-PINC1363	2



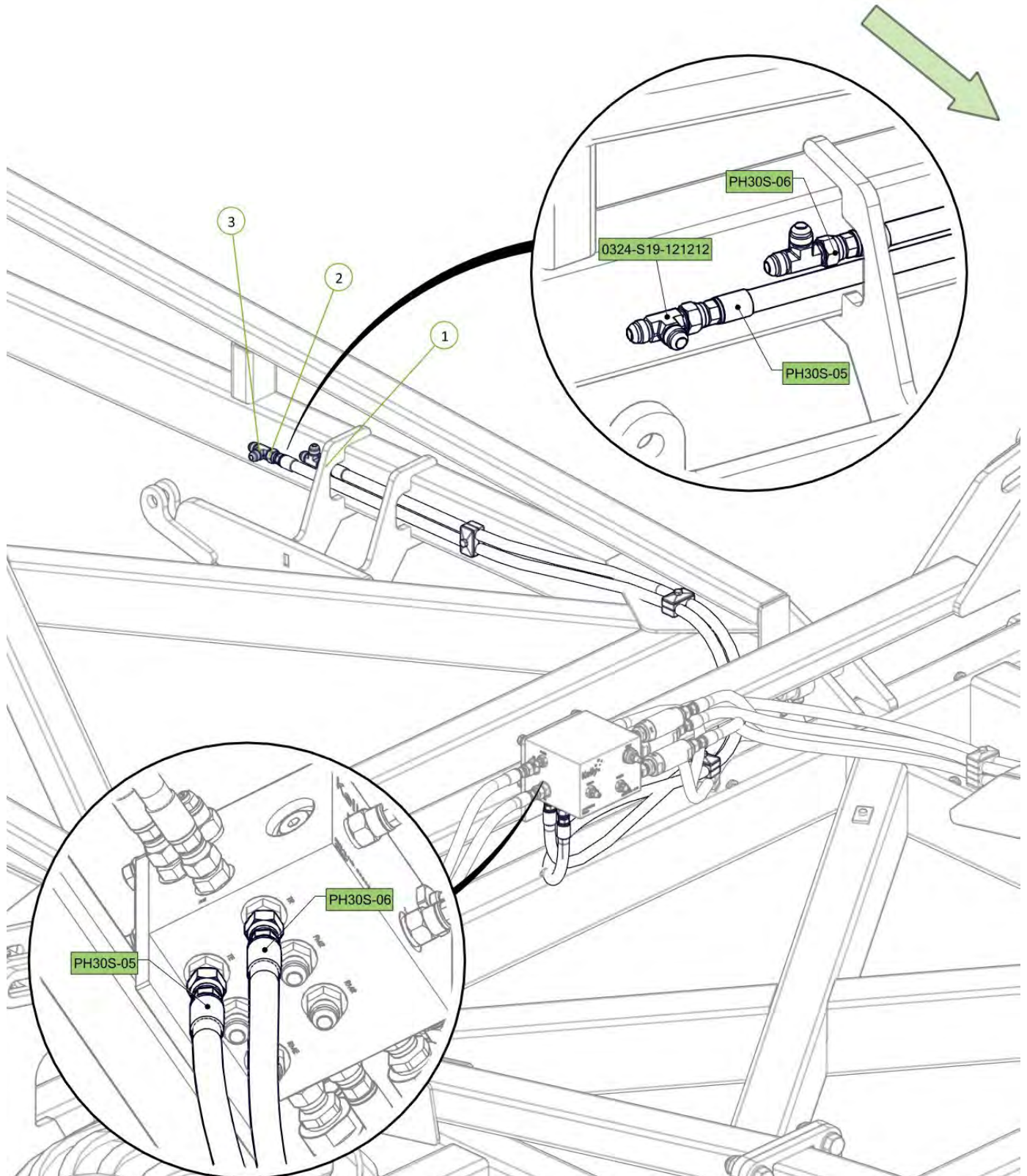
Item No.	Description	Number	Qty
1	3.5" Bore x 24" Stroke 1.75" Rod Side Port Cylinder	0311-3524SP	2



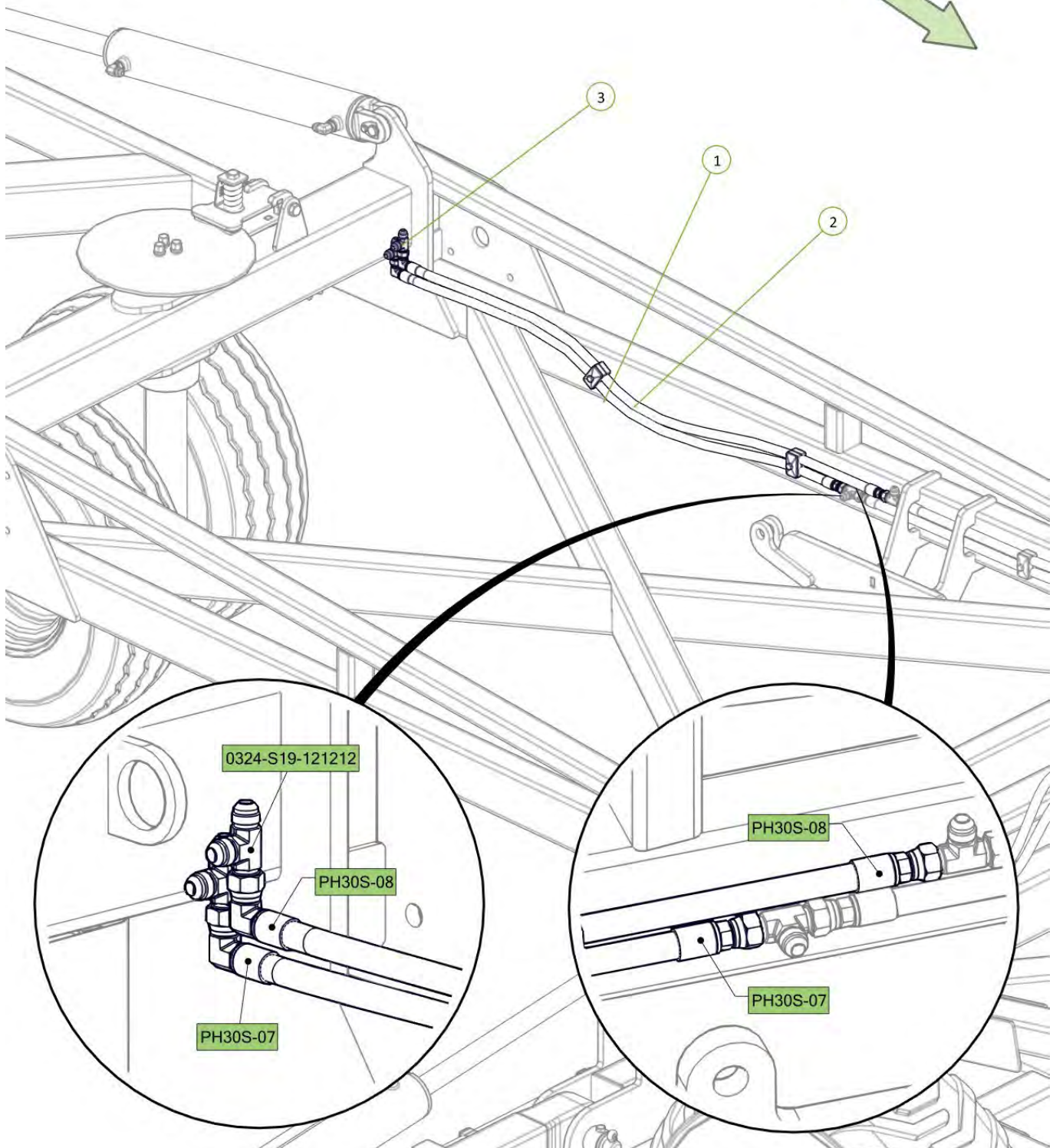
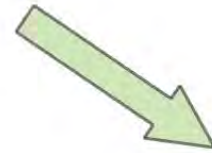
Item No.	Description	Number	Qty
1	3/4" JIC Male 3/4" UN O Ring Male 90° Elbow	0323-S91-1212	4



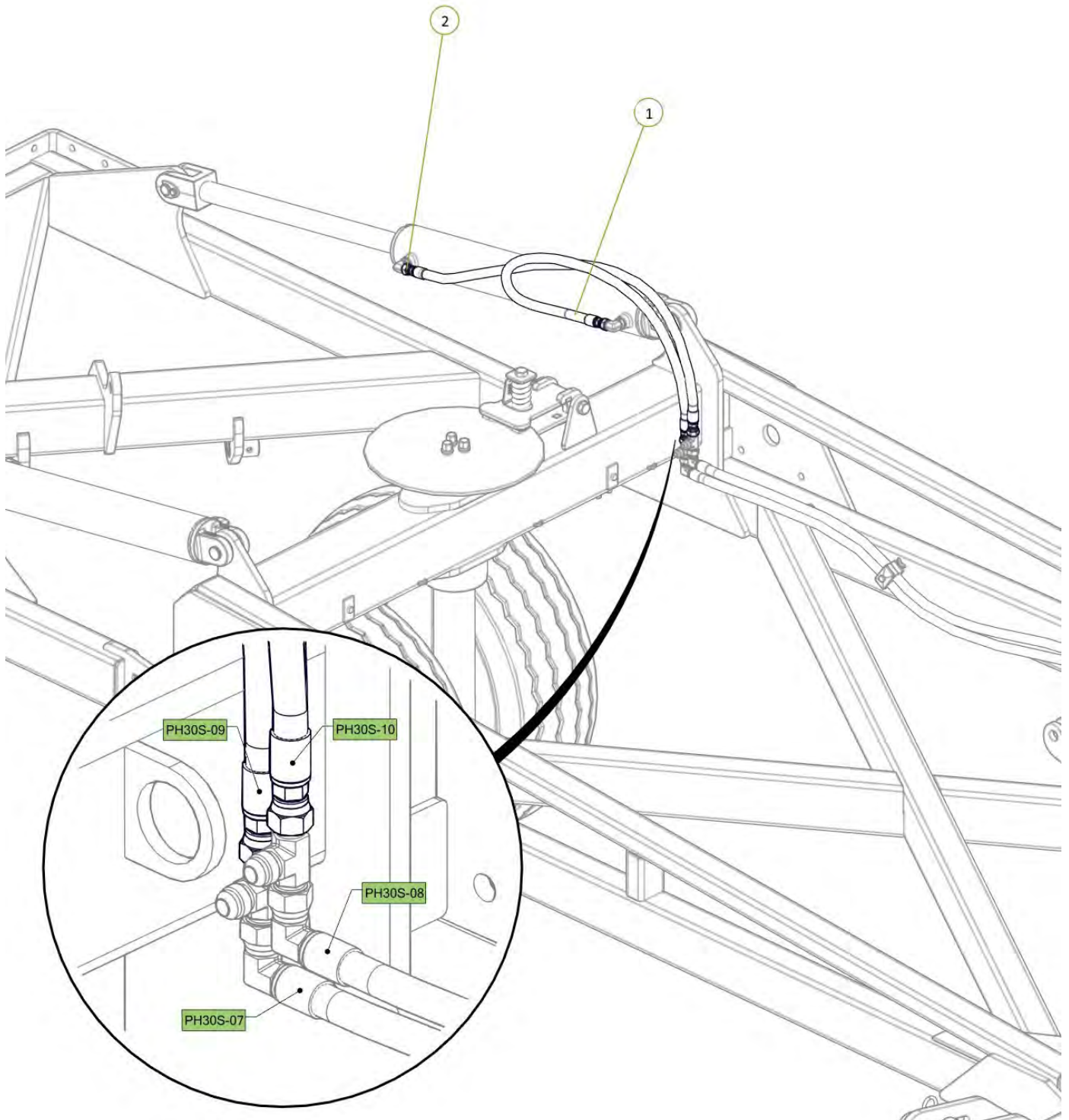
Item No.	Description	Number	Qty
1	Valve TE Port to Tail Extend Tee	PH30S-05	1
2	Valve TR Port to Tail Retract Tee	PH30S-06	1
3	3/4" JIC Male Tee 3/4" JIC Male Tee 3/4" JIC Male Tee	0324-S19-121212	2



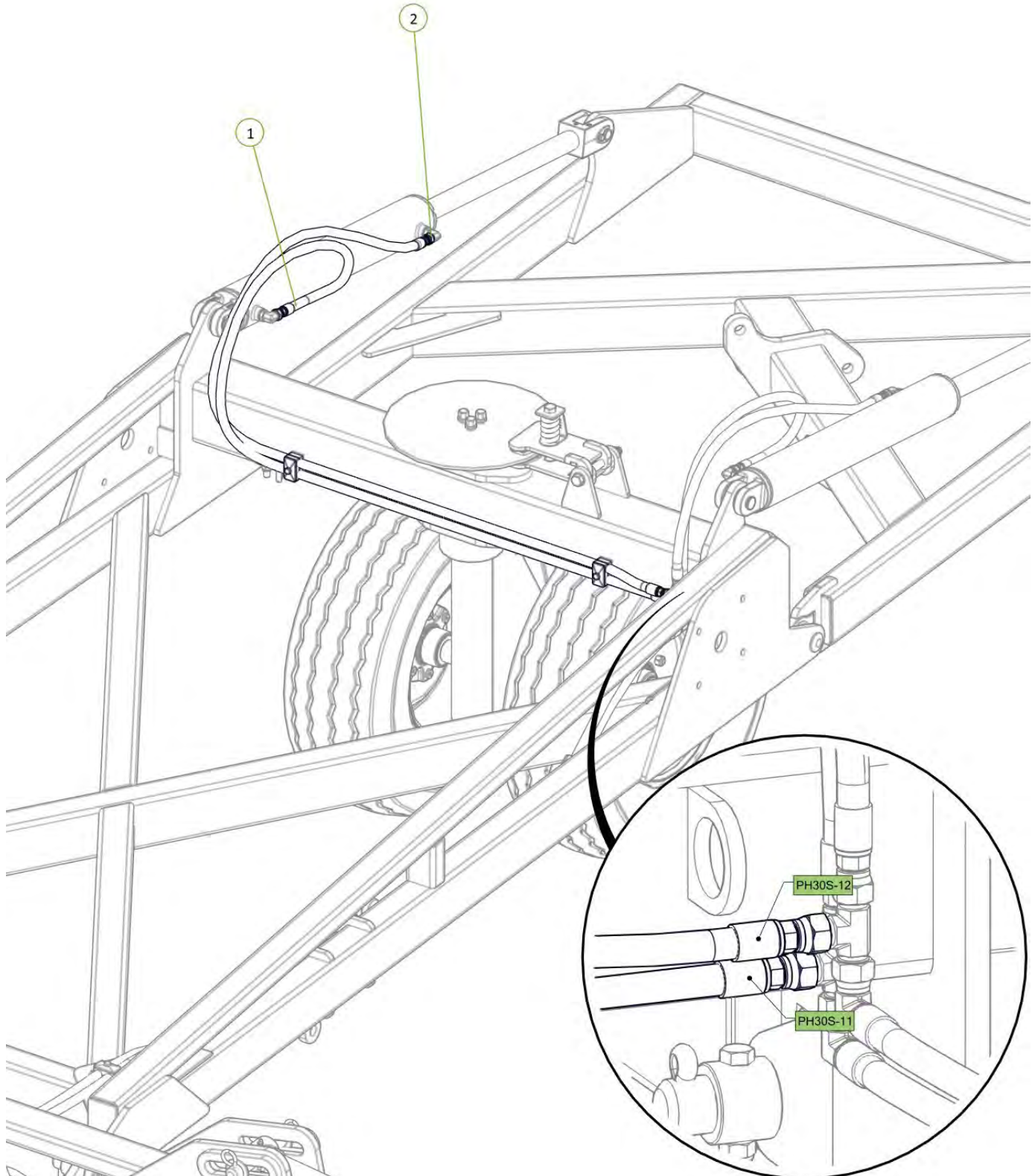
Item No.	Description	Number	Qty
1	Tail Extend Tee to Rear Extend Tee	PH30S-07	1
2	Tail Retract Tee to Rear Retract Tee	PH30S-08	1
3	3/4" JIC Male Tee 3/4" JIC Male Tee 3/4" JIC Male Tee	0324-S19-121212	2

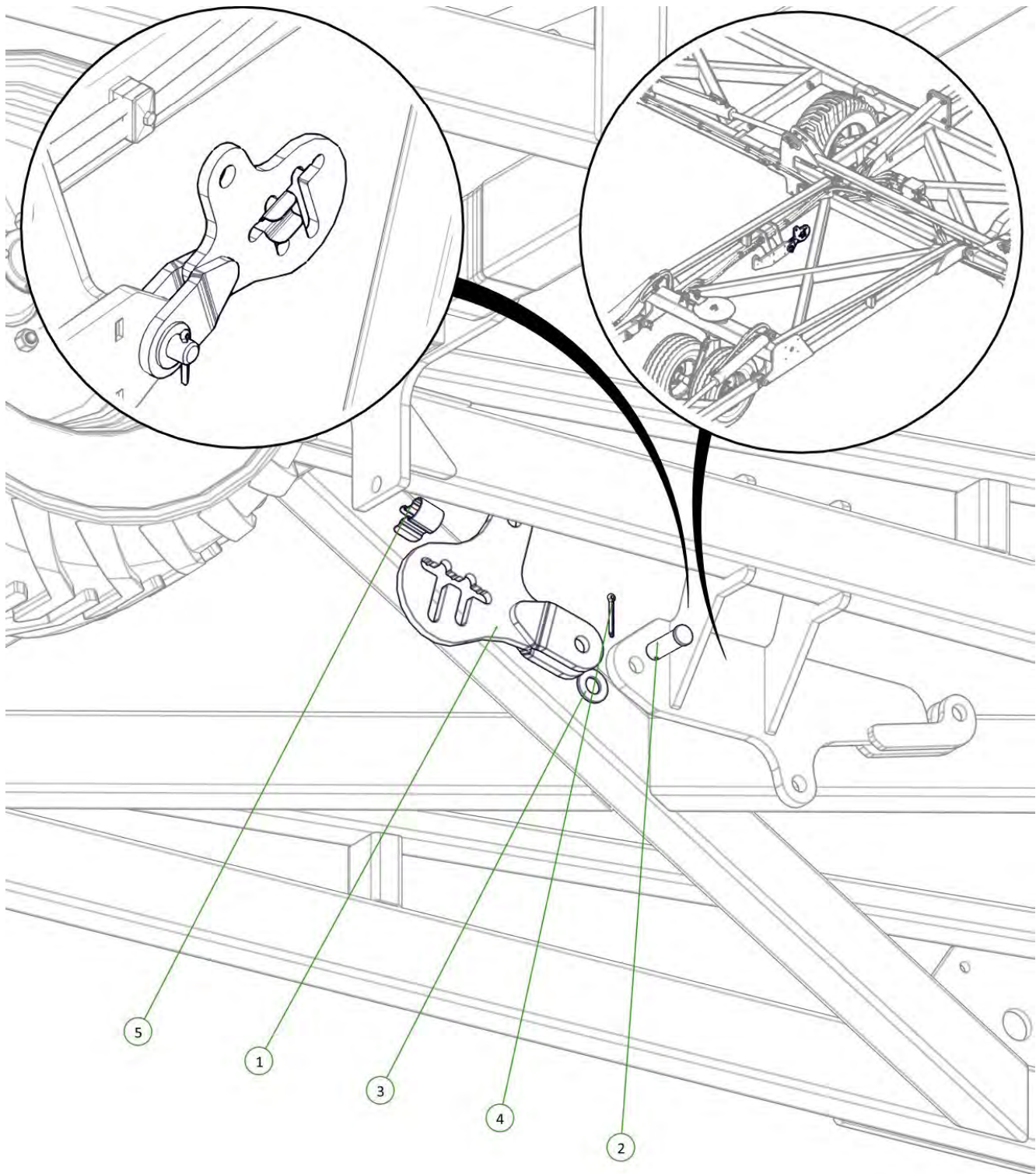


Item No.	Description	Number	Qty
1	Rear Extend Tee to Rear Port LH Tail Cylinder	PH30S-09	1
2	Rear Retract Tee to Rod Port Tail LH Cylinder	PH30S-10	1



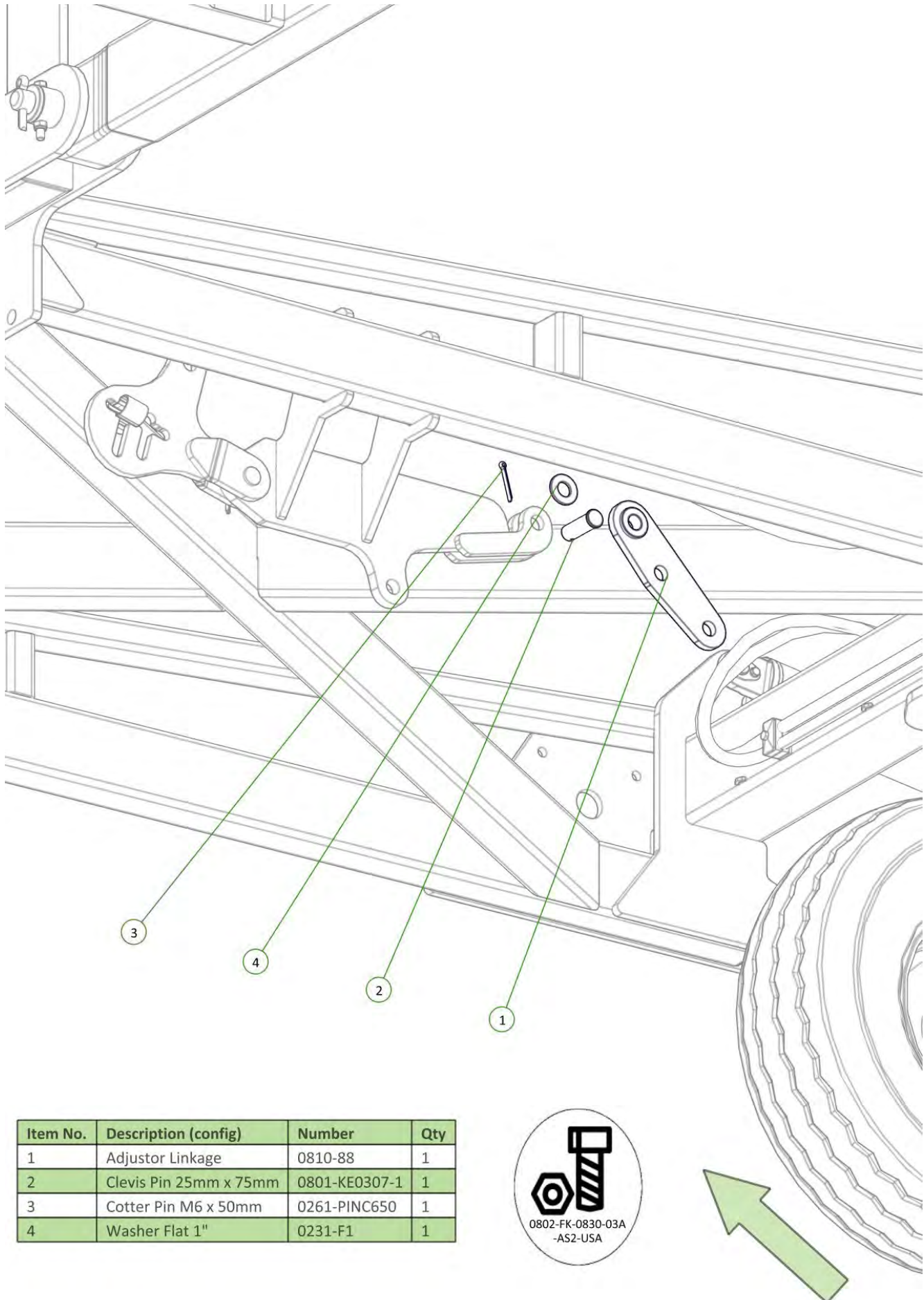
Item No.	Description	Number	Qty
1	Rear Extend Tee to Rear Port RH Tail Cylinder	PH30S-11	1
2	Rear Retract Tee to Rod Port RH Tail Cylinder	PH30S-12	1





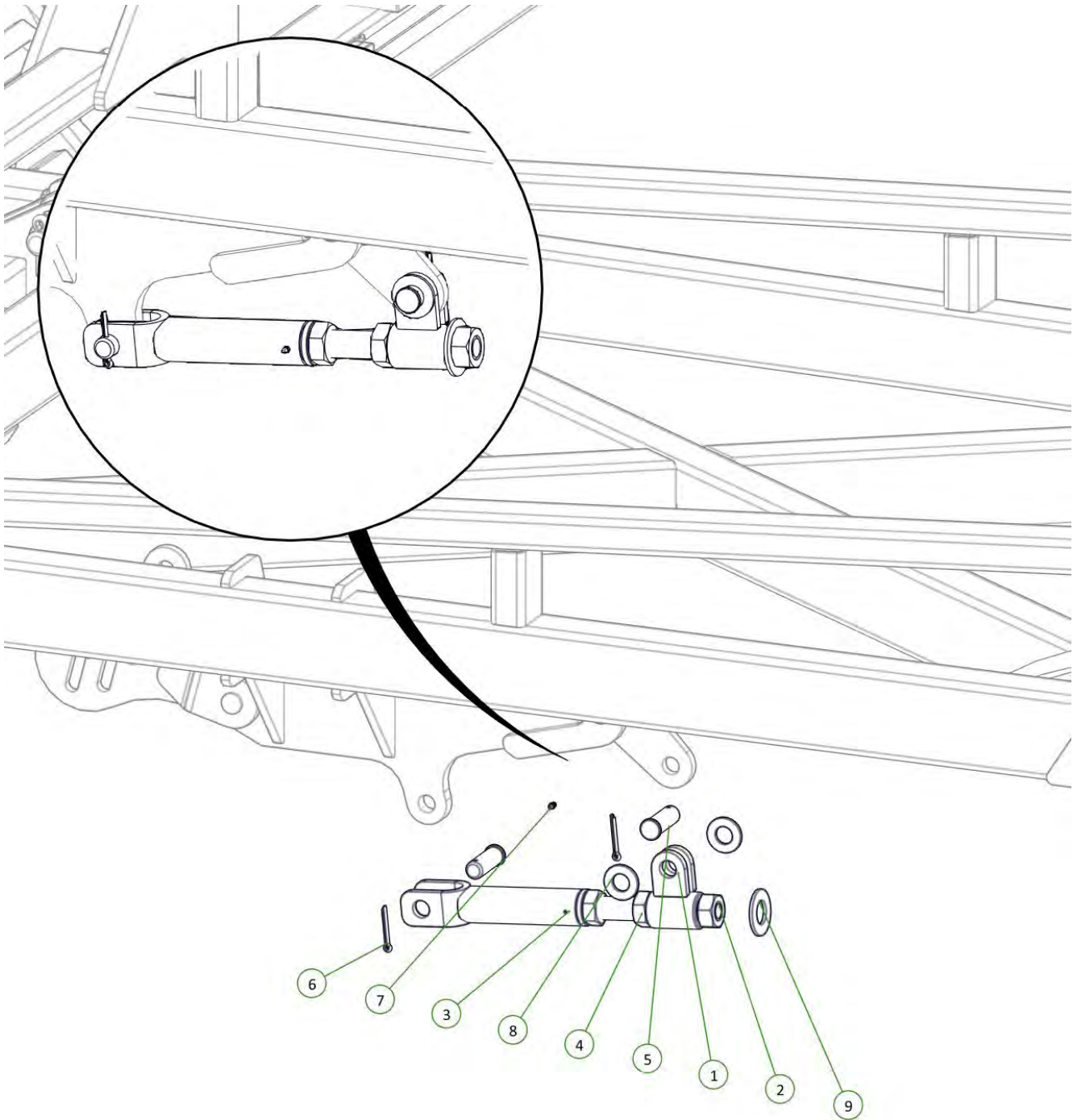
Item No.	Description	Number	Qty
1	Reduced Lift Arm	0810-84	1
2	Clevis Pin 25mm x 75mm	0801-KE0307-1	1
3	Washer Flat 1"	0232-F1	1
4	Cotter Pin M5 x 50	0261-PINC550	1
5	Height Adjustor Retaining Clip	0801-KE014	1





Item No.	Description (config)	Number	Qty
1	Adjustor Linkage	0810-88	1
2	Clevis Pin 25mm x 75mm	0801-KE0307-1	1
3	Cotter Pin M6 x 50mm	0261-PINC650	1
4	Washer Flat 1"	0231-F1	1

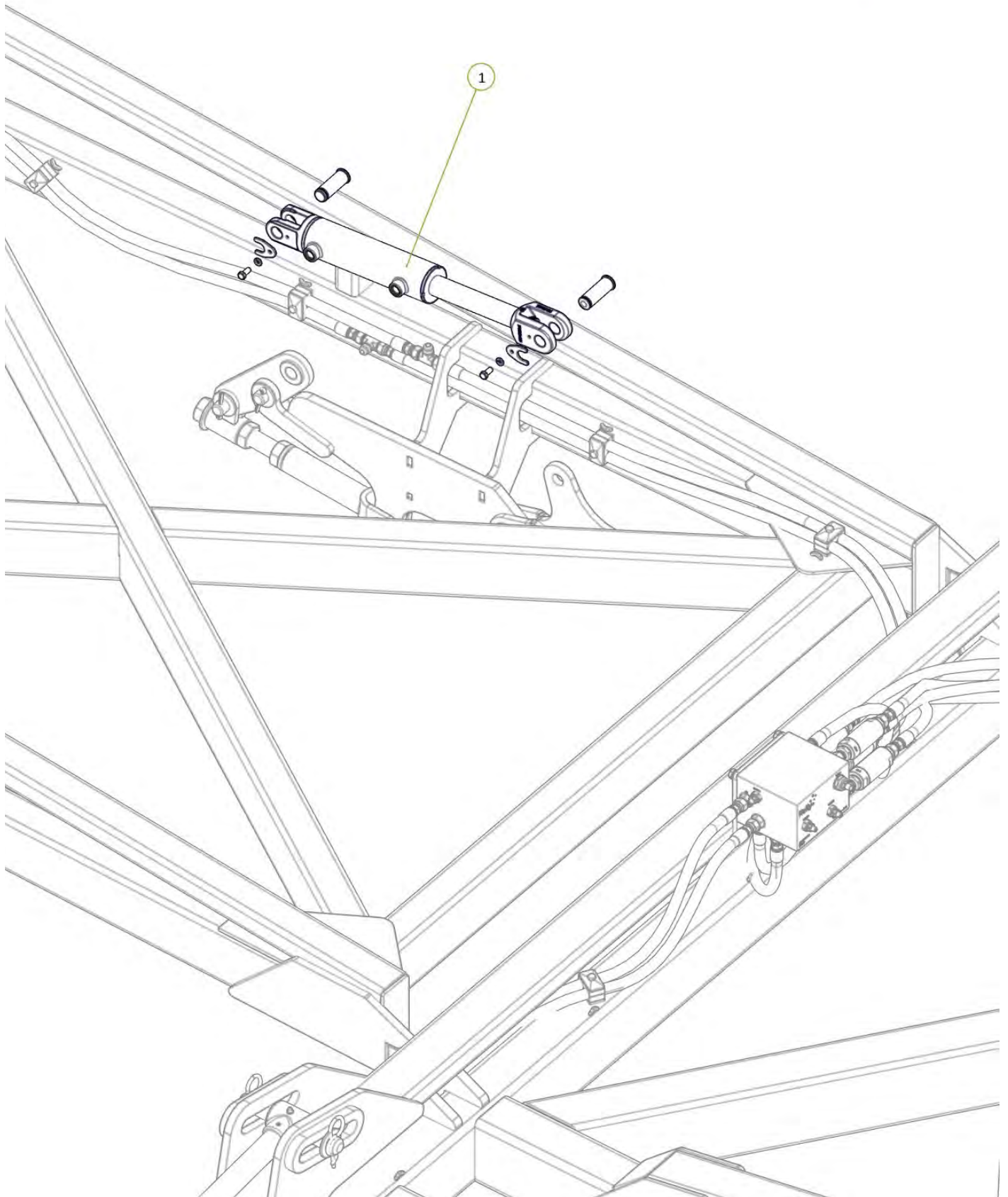




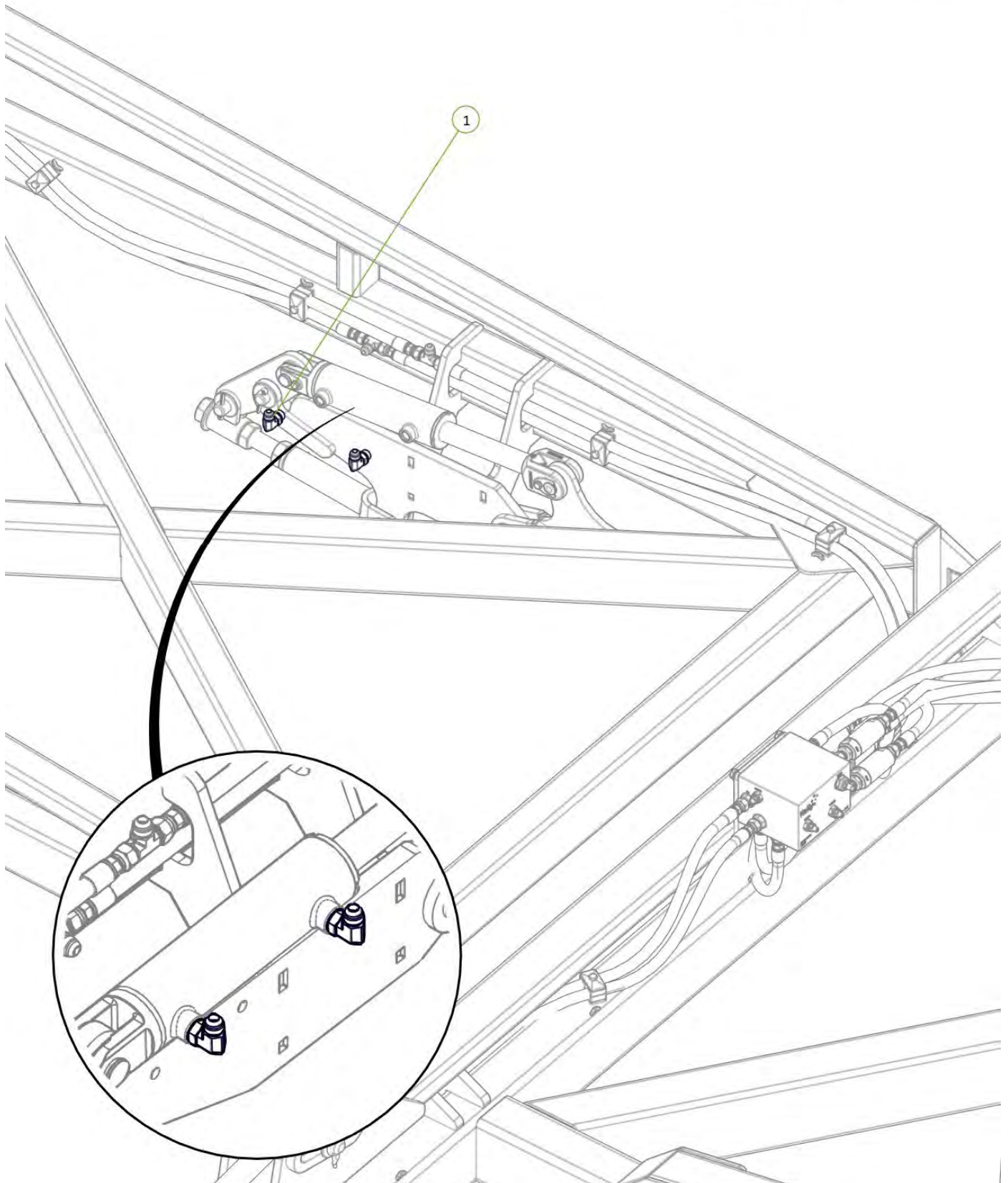
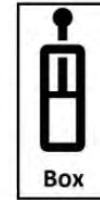
Item No.	Description	Number	Qty
1	Adjuster Mount	0810-161	1
2	Height Adjuster Rod Bolt	0810-163	1
3	Tension Adjuster Body	0810-164	1
4	ACME Lock Nut 1 1/4" - 5NA - 2G	0801-PCHTA-5N	2
5	Clevis Pin 25mm x 75mm	0801-KE0307-1	2
6	Cotter Pin M6 x 50mm	0261-PINC650	2
7	Grease Nipple 1/4" UNF	0181-GN1-4	1
8	Washer Flat 1"	0232-F1	2
9	Washer High Tensile 1 1/4"	0232-HT11-4	1



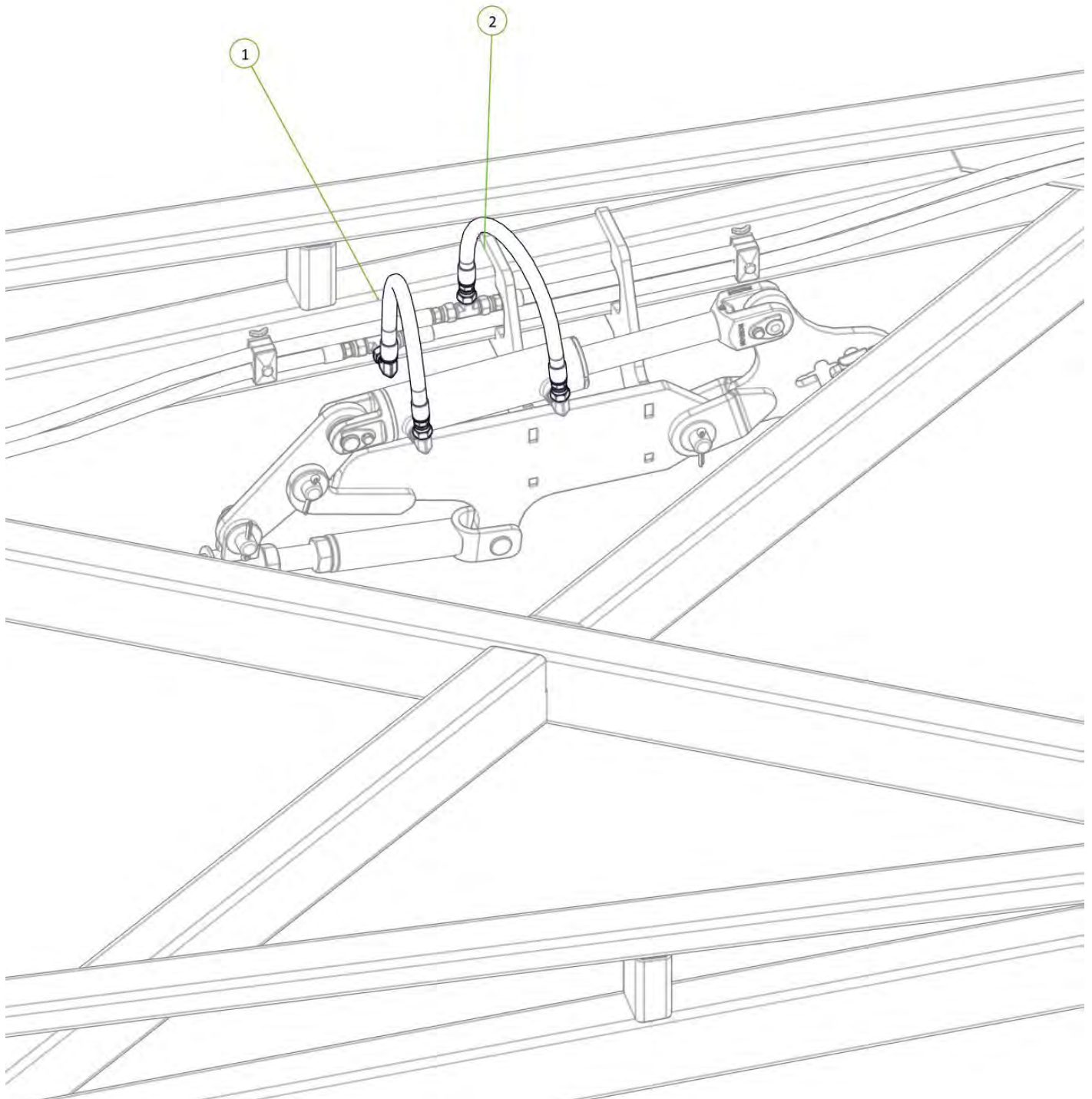
Item No.	Description	Number	Qty
1	2.5" Bore x 6" Stroke 1.5" Rod Side Port Cylinder	0311-256SP	1



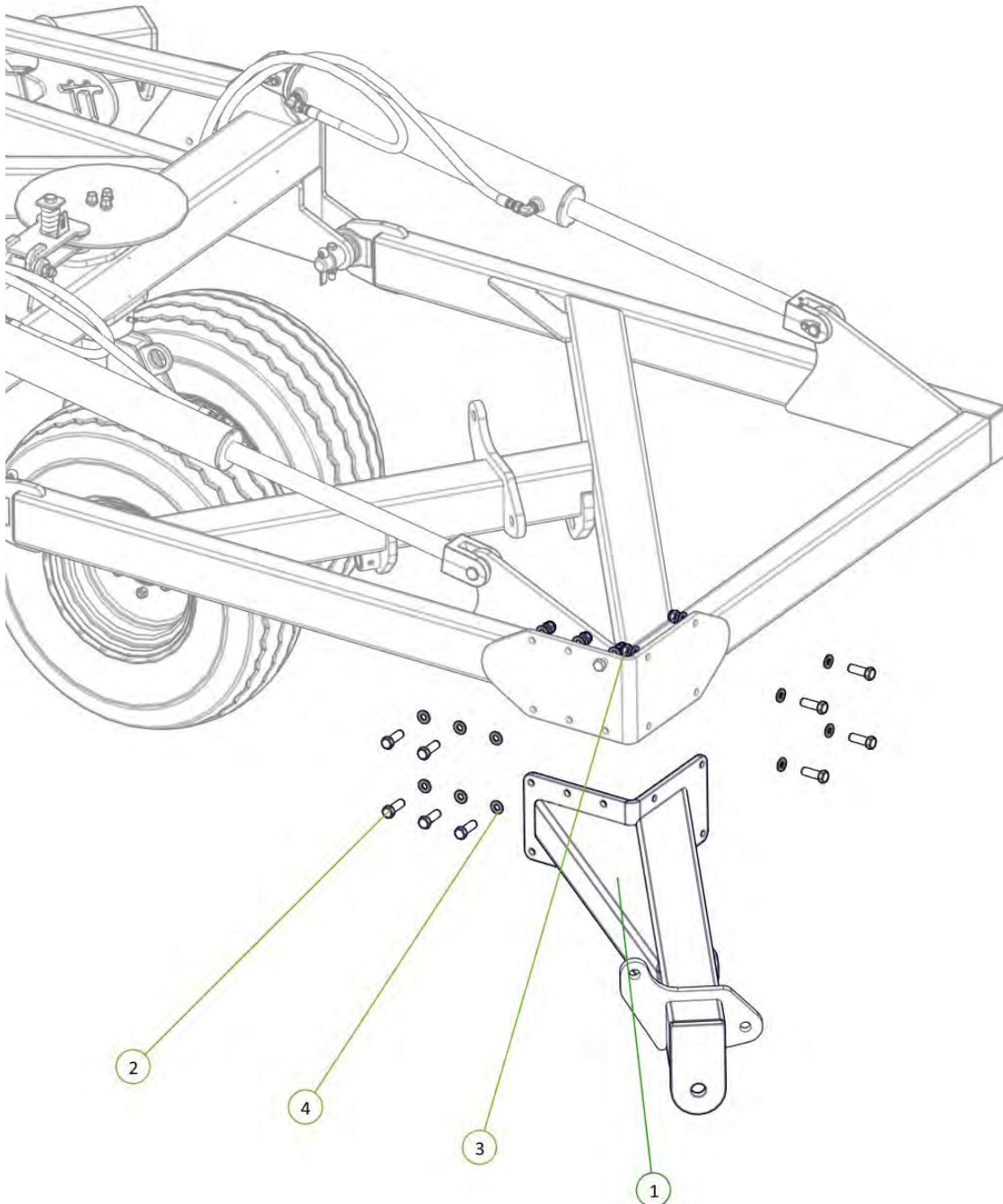
Item No.	Description	Number	Qty
1	3/4" JIC Male 3/4" UN O Ring Male 90° Elbow	0323-S91-1212	2



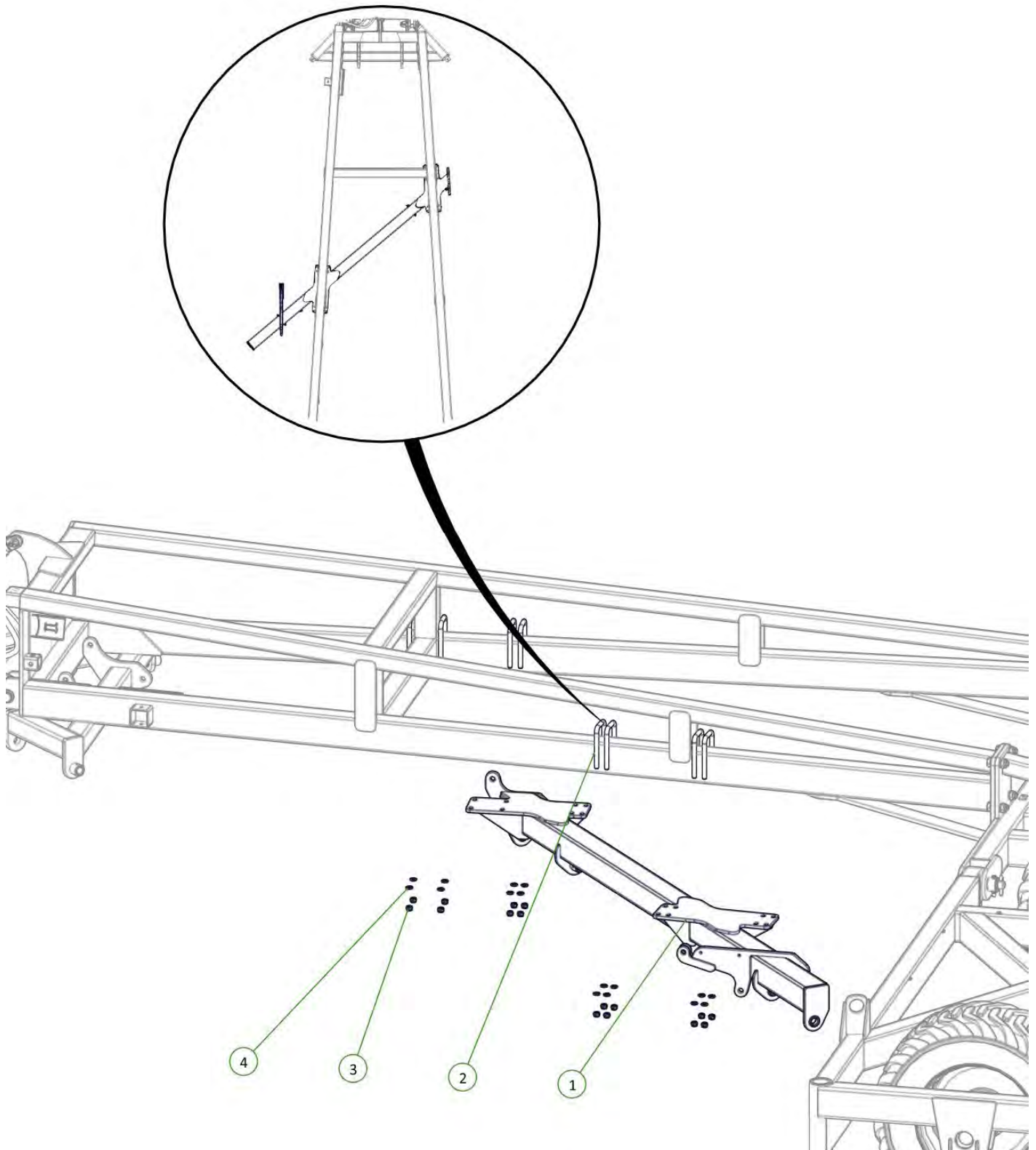
Item No.	Description	Number	Qty
1	Tail Extend Tee to Rear Port Left Rear Module Cylinder	PH30S-13	1
2	Tail Retract Tee to Rod Port Left Rear Module Cylinder	PH30S-14	1



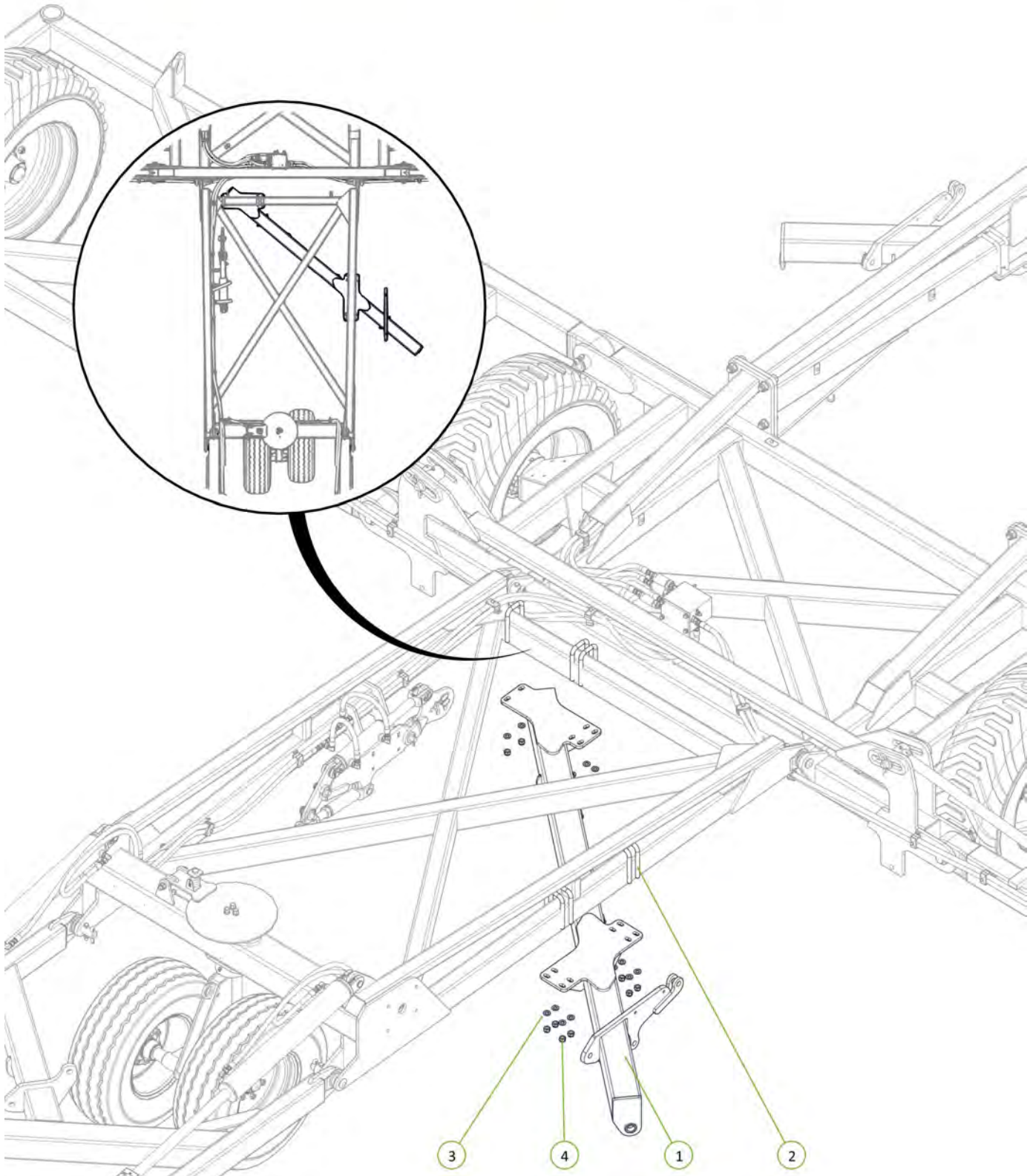
Item No.	Description	Number	Qty
1	Extended Tip Tail Bolt On Tip	0810-10ET-2	1
2	M16 x 50 Class 8.8 ZP Bolt	0211-1650	9
3	Nyloc Nut M16	0221-NYL16	10
4	Washer Flat M16	0231-F16	20



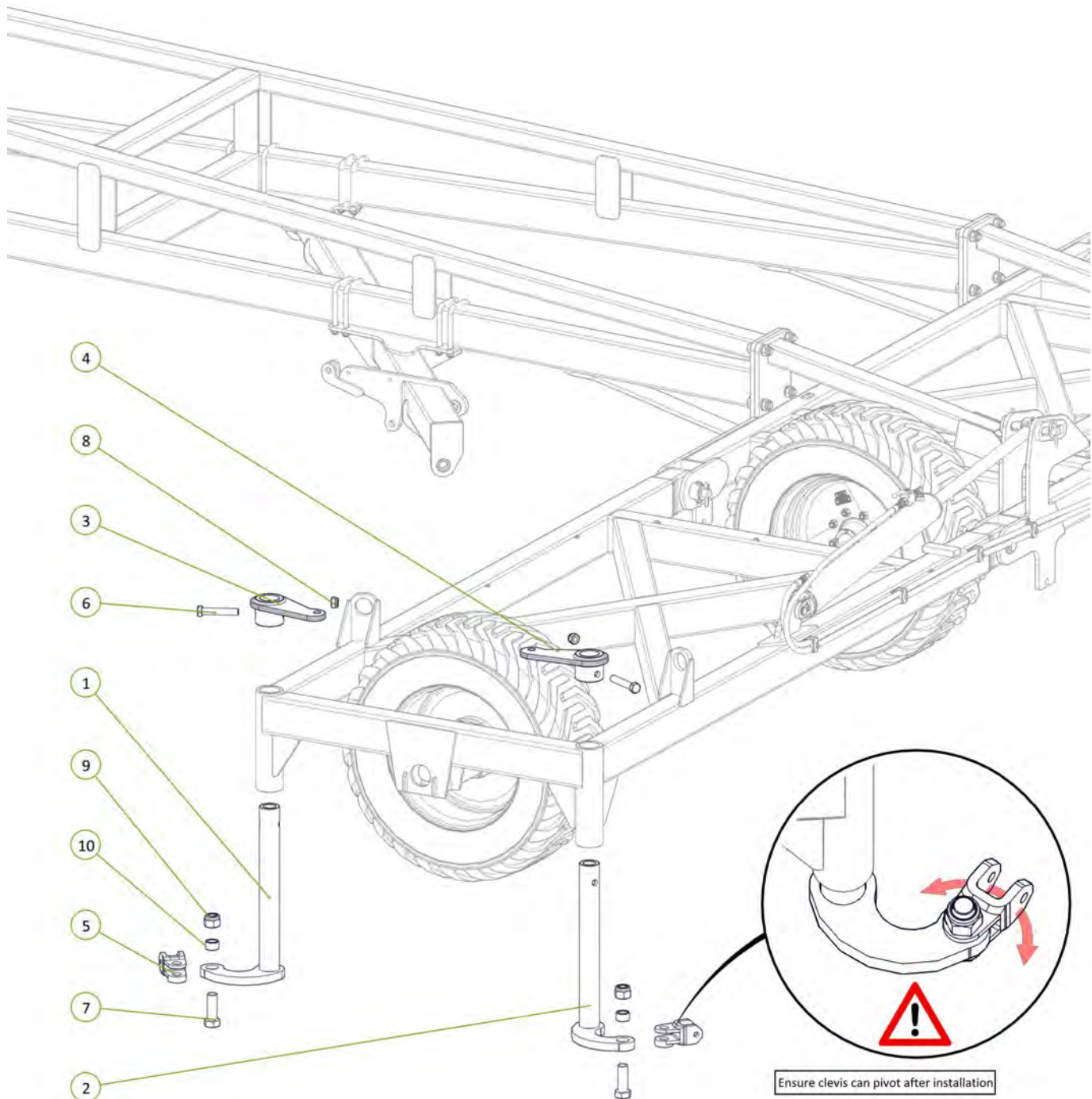
Item No.	Description	Number	Qty
1	30' Front Module	0810-28-30-3	1
2	U-Bolt M16 x 190 Deep x 106 Wide	0271-16190106U	8
3	Nyloc Nut M16	0221-NYL16	16
4	Washer Flat M16	0231-F16	16



Item No.	Description	Number	Qty
1	30' Rear Module	0810-29-30-3	1
2	U-Bolt M16 x 167 Deep x 79 Wide	0271-1616779U	7
3	Washer Flat M16	0231-F16	14
4	Nyloc Nut M16	0221-NYL16	14

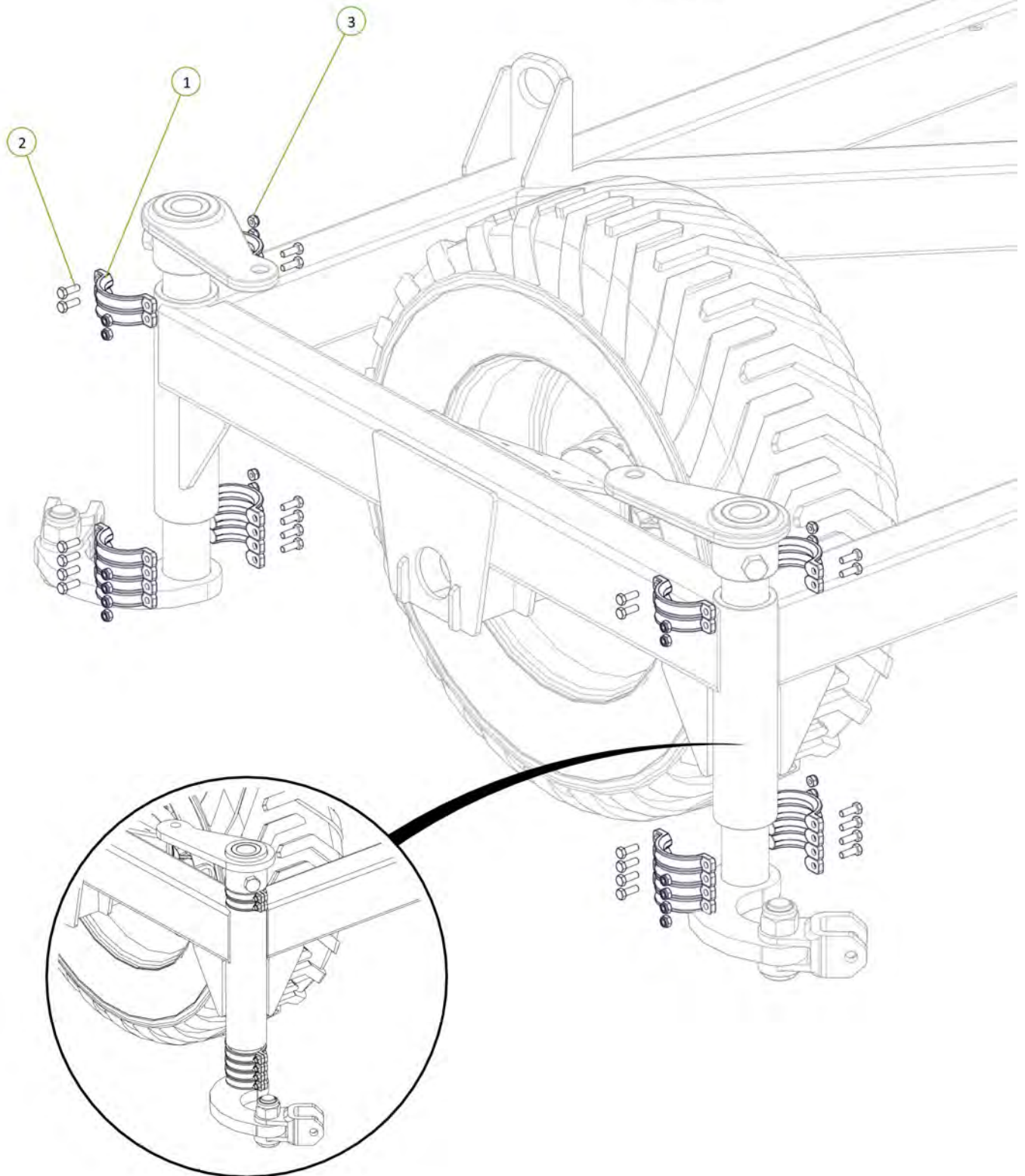


Item No.	Description	Number	Qty
1	Super Single LH Drop Leg No Clevis	0810-24SF	1
2	Super Single RH Drop Leg No Clevis	0810-25SF	1
3	LH Chain Adjusting Lug	0810-26	1
4	RH Chain Adjusting Lug	0810-27	1
5	Forged Clevis 21mm Bolt Hole	0801-FC21	2
6	M24 x 140 Class 8.8 ZP Bolt	0211-24140	2
7	M36 x 105 Class 8.8 ZP Bolt	0211-36105	2
8	Nyloc Nut M24	0221-NYL24	2
9	Nyloc Nut M36	0221-NYL36	2
10	Wear Bush	1501-365033-SS	2

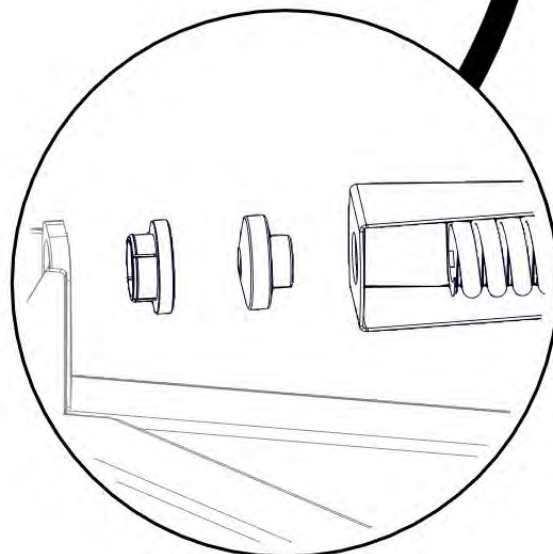
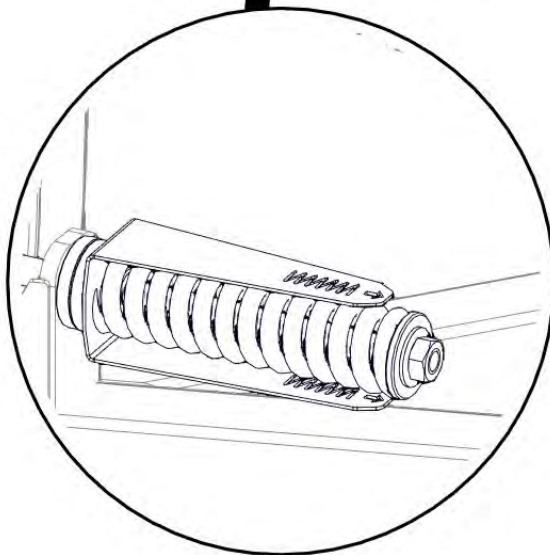
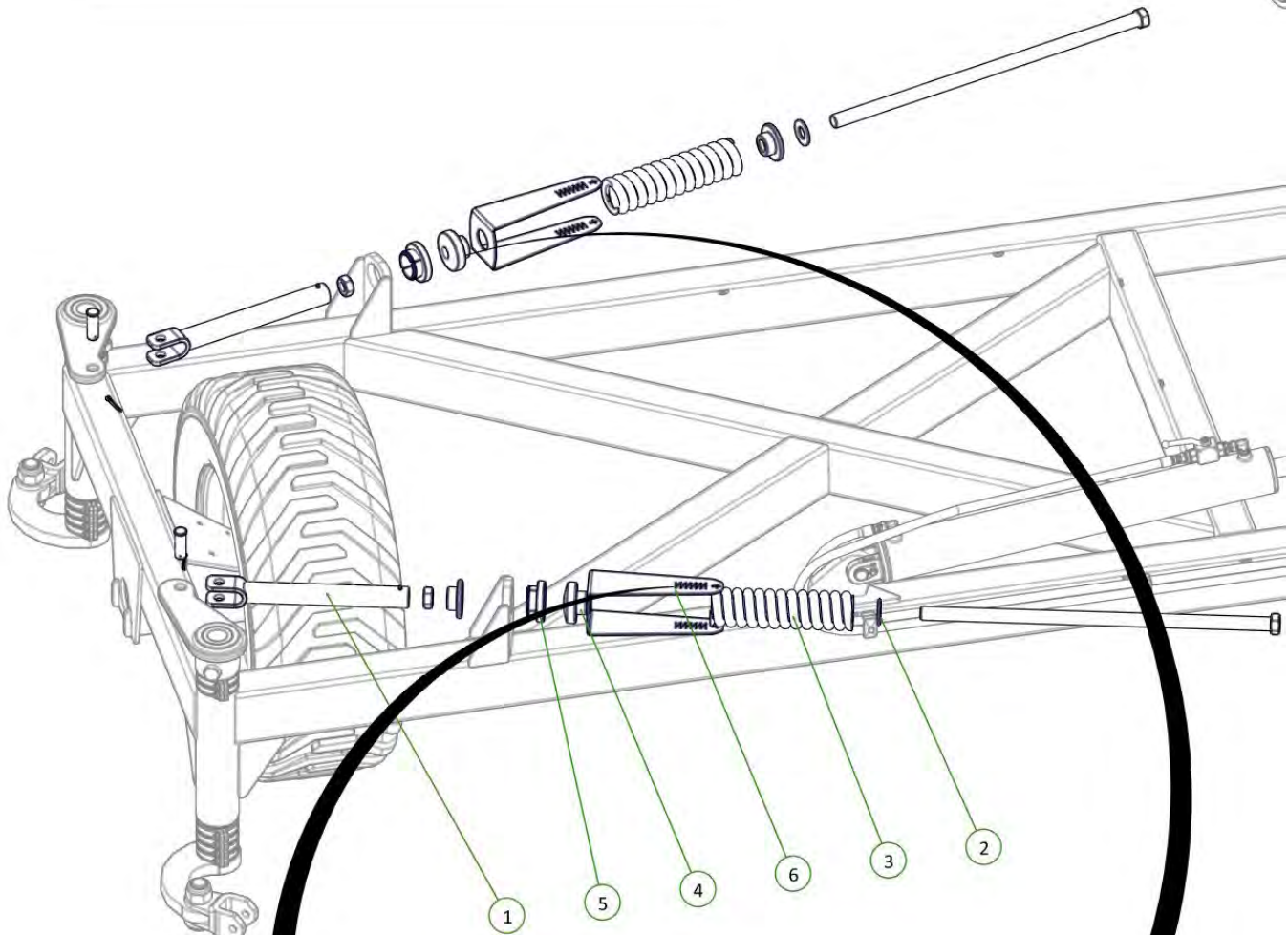


Ensure clevis can pivot after installation

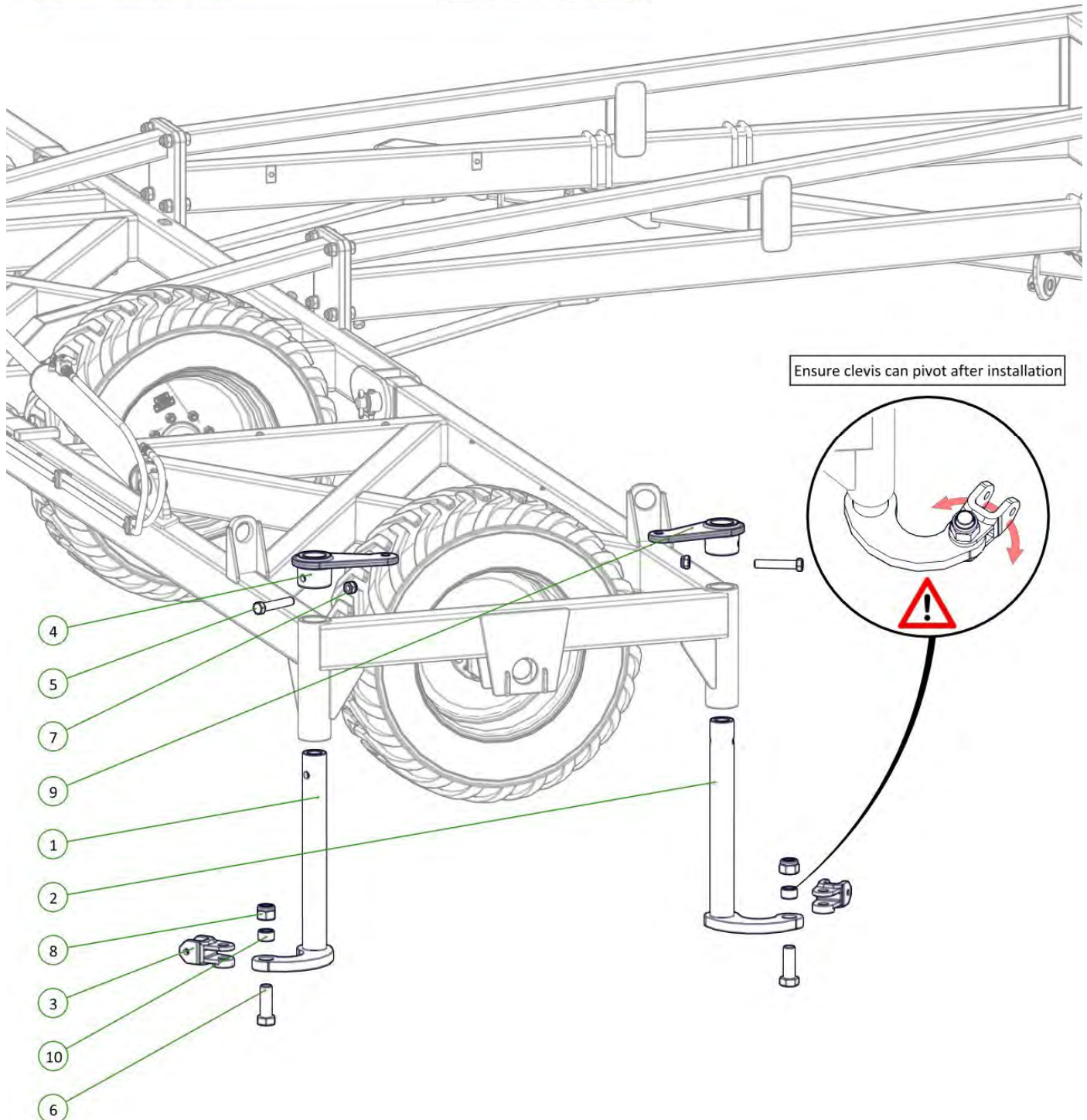
Item No.	Description	Number	Qty
1	Cast 25mm Spacing	0801-CS25	24
2	M10 x 30 grade 8.8 ZP Bolt	0211-1030	24
3	Nyloc Nut M10	0221-NYL10	24



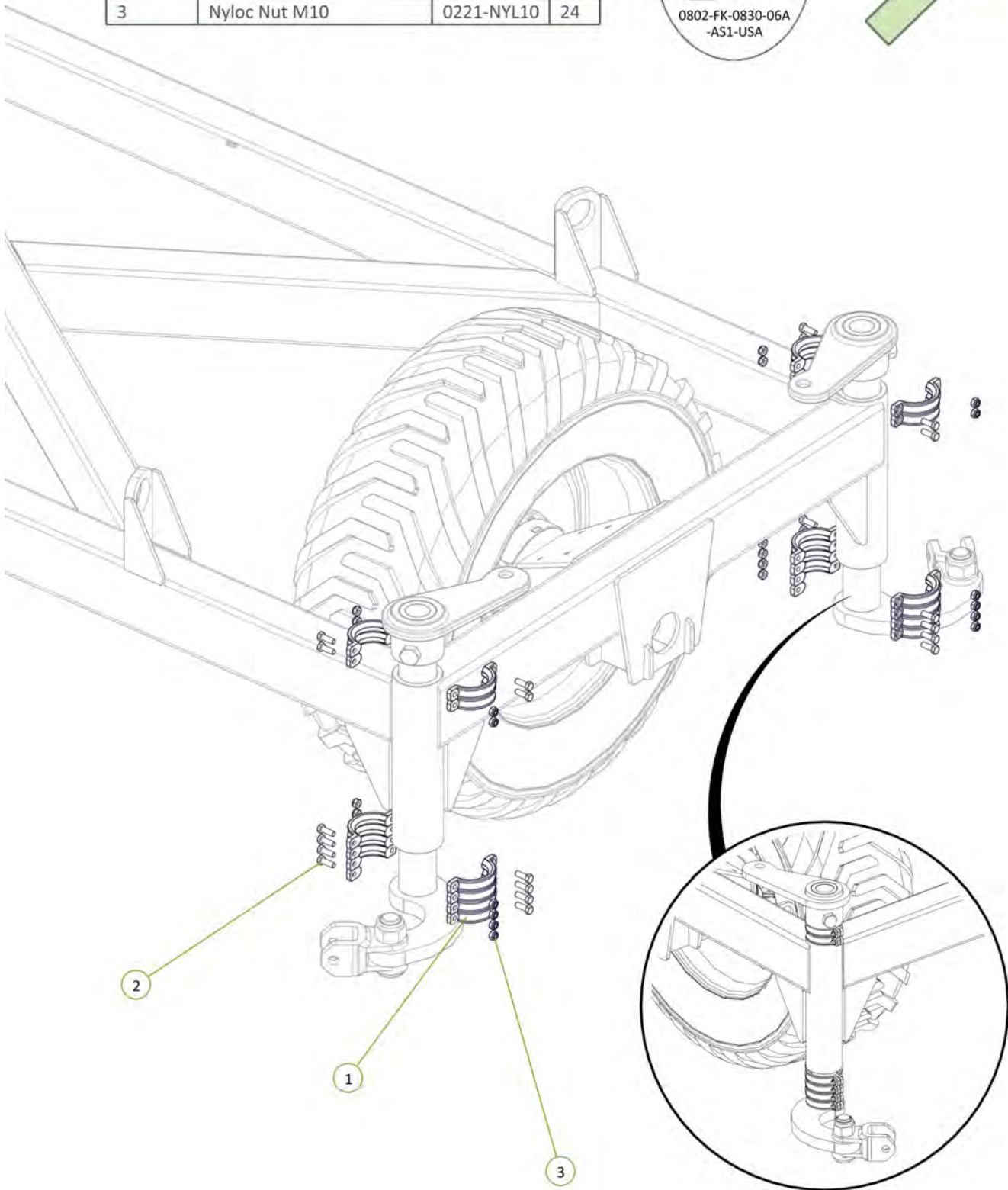
Item No.	Description	Number	Qty
1	Chain Tension Adjustor	0802-PCHTA	2
2	Washer High Tensile 1 1/4"	0232-HT11-4	2
3	20mm Compression Spring	0801-XX9261S	2
4	Tensioner Cup - Male	0801-KE0805-3	2
5	Tensioner Cup - Female	0801-KE0805-4	2
6	330mm Spring Tension Indicator	0800-758	2



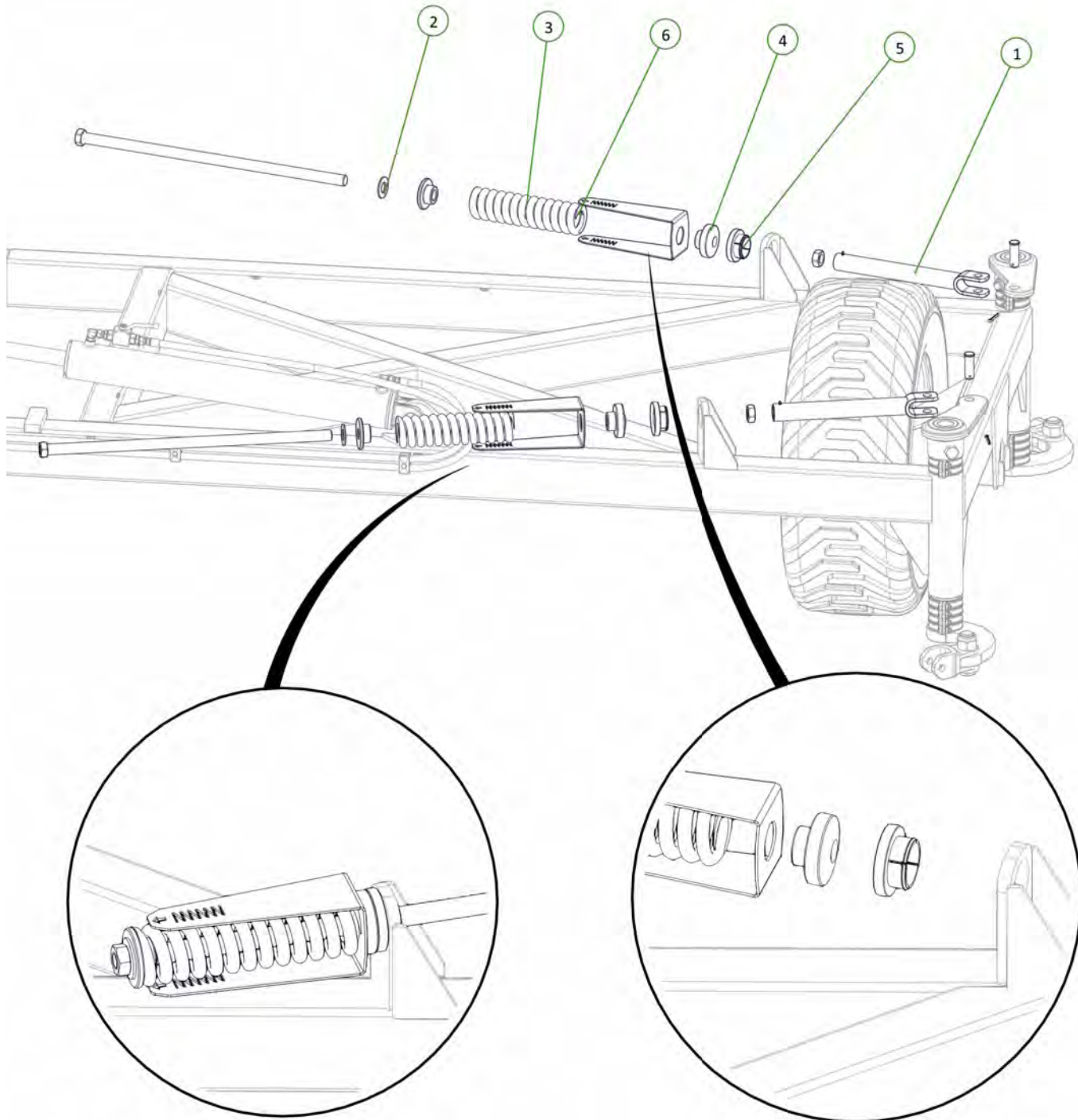
Item No.	Description	Number	Qty
1	Super Single LH Drop Leg No Clevis	0810-24SF	1
2	Super Single RH Drop Leg No Clevis	0810-25SF	1
3	Forged Clevis 21mm Bolt Hole	0801-FC21	2
4	LH Chain Adjusting Lug	0810-26	1
5	M24 x 140 Class 8.8 ZP Bolt	0211-24140	2
6	M36 x 105 Class 8.8 ZP Bolt	0211-36105	2
7	Nyloc Nut M24	0221-NYL24	2
8	Nyloc Nut M36	0221-NYL36	2
9	RH Chain Adjusting Lug	0810-27	1
10	Wear Bush	1501-365033-SS	2



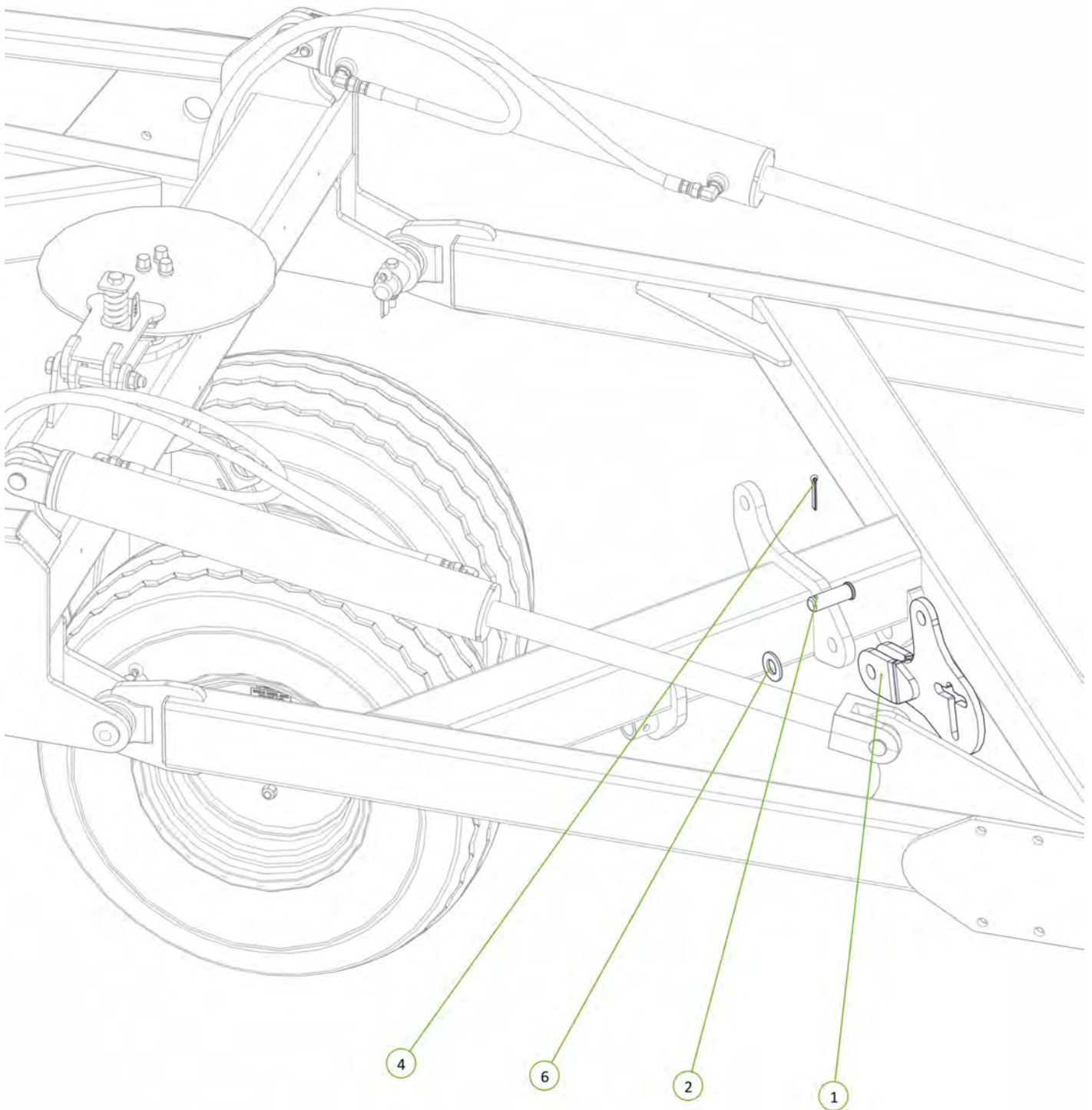
Item No.	Description	Number	Qty
1	Cast 25mm Spacing	0801-CS25	24
2	M10 x 30 grade 8.8 ZP Bolt	0211-1030	24
3	Nyloc Nut M10	0221-NYL10	24



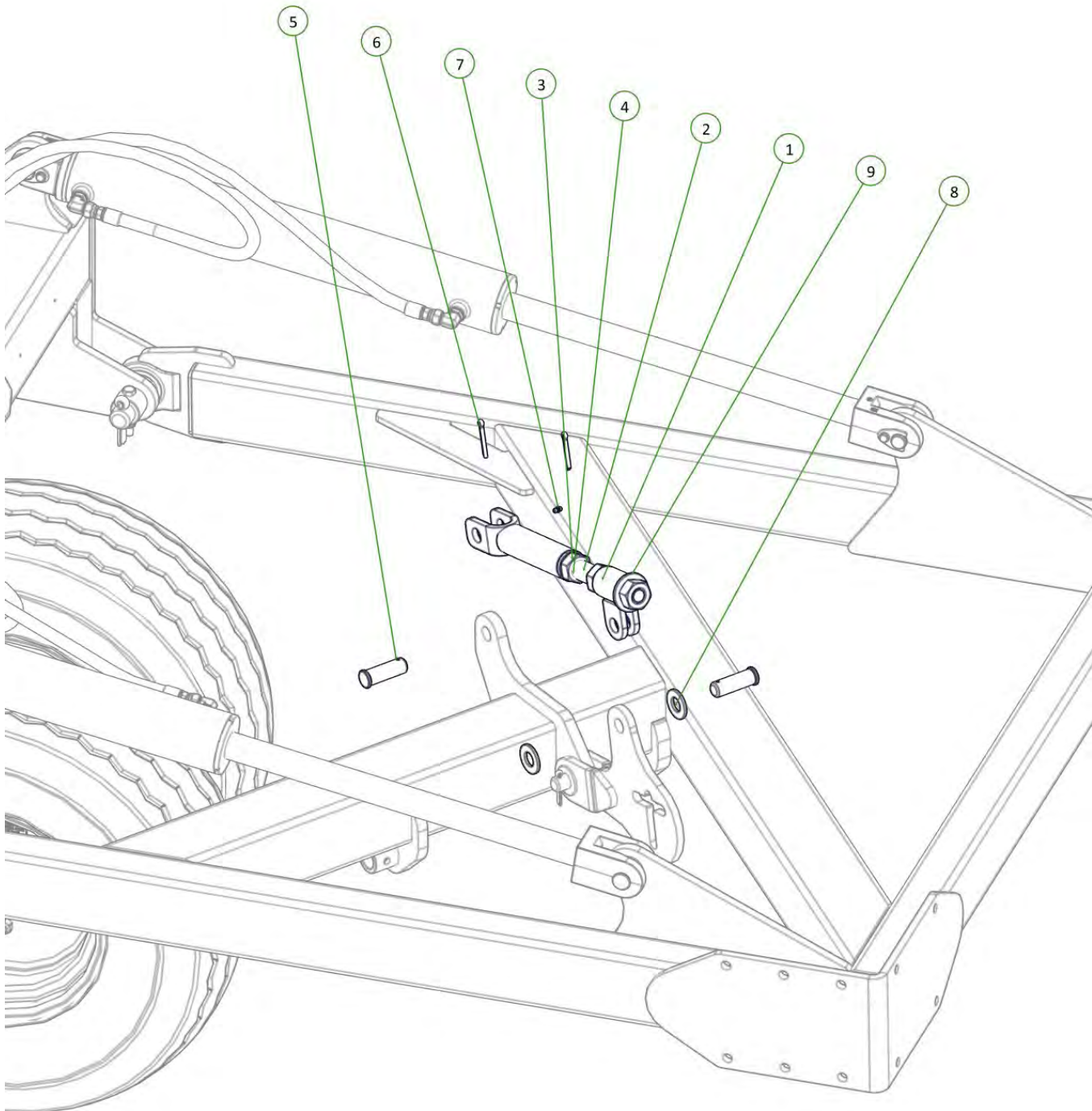
Item No.	Description	Number	Qty
1	Chain Tension Adjustor	0802-PCHTA	2
2	Washer High Tensile 1 1/4"	0232-HT11-4	2
3	20mm Compression Spring	0801-XK9261S	2
4	Tensioner Cup - Male	0801-KE0805-3	2
5	Tensioner Cup - Female	0801-KE0805-4	2
6	330mm Spring Tension Indicator	0800-758	2



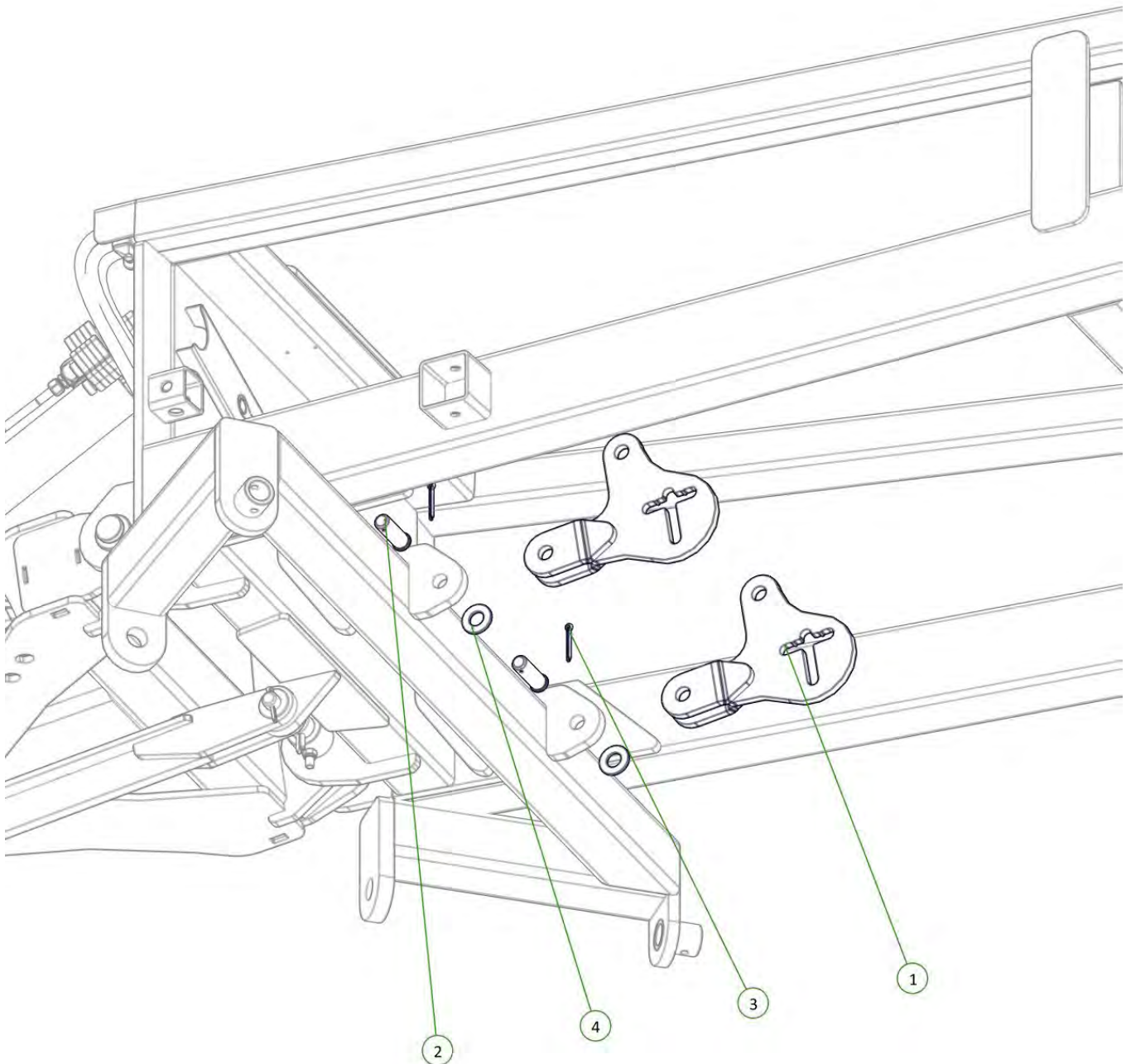
Item No.	Description	Number	Qty
1	Short Lift Arm Assembly	0810-167	1
2	Clevis Pin 25mm x 75mm	0801-KE0307-1	1
4	Cotter Pin M6 x 50mm	0261-PINC650	1
6	Washer Flat 1"	0231-F1	1



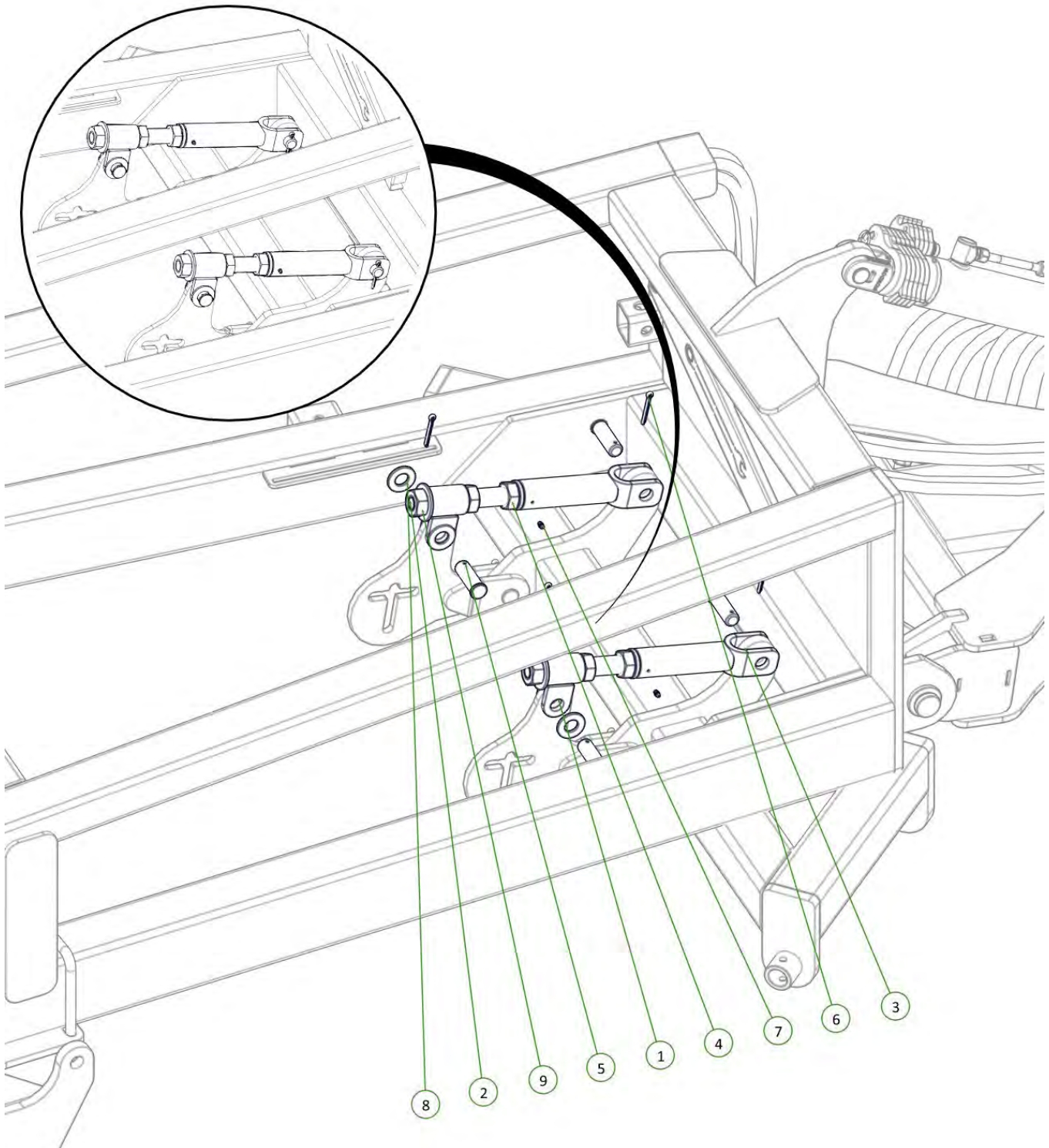
Item No.	Description	Number	Qty
1	Adjuster Mount	0810-161	1
2	Height Adjuster Rod Bolt	0810-163	1
3	Tension Adjuster Body	0810-164	1
4	ACME Lock Nut 1 1/4 - 5NA - 2G	0801-PCHTA-5N	2
5	Clevis Pin 25mm x 75mm	0801-KE0307-1	2
6	Cotter Pin M6 x 50mm	0261-PINC650	2
7	Grease Nipple 1/4" UNF	0181-GN1-4	1
8	Washer Flat 1"	0231-F1	2
9	Washer High Tensile 1 1/4"	0232-HT11-4	1



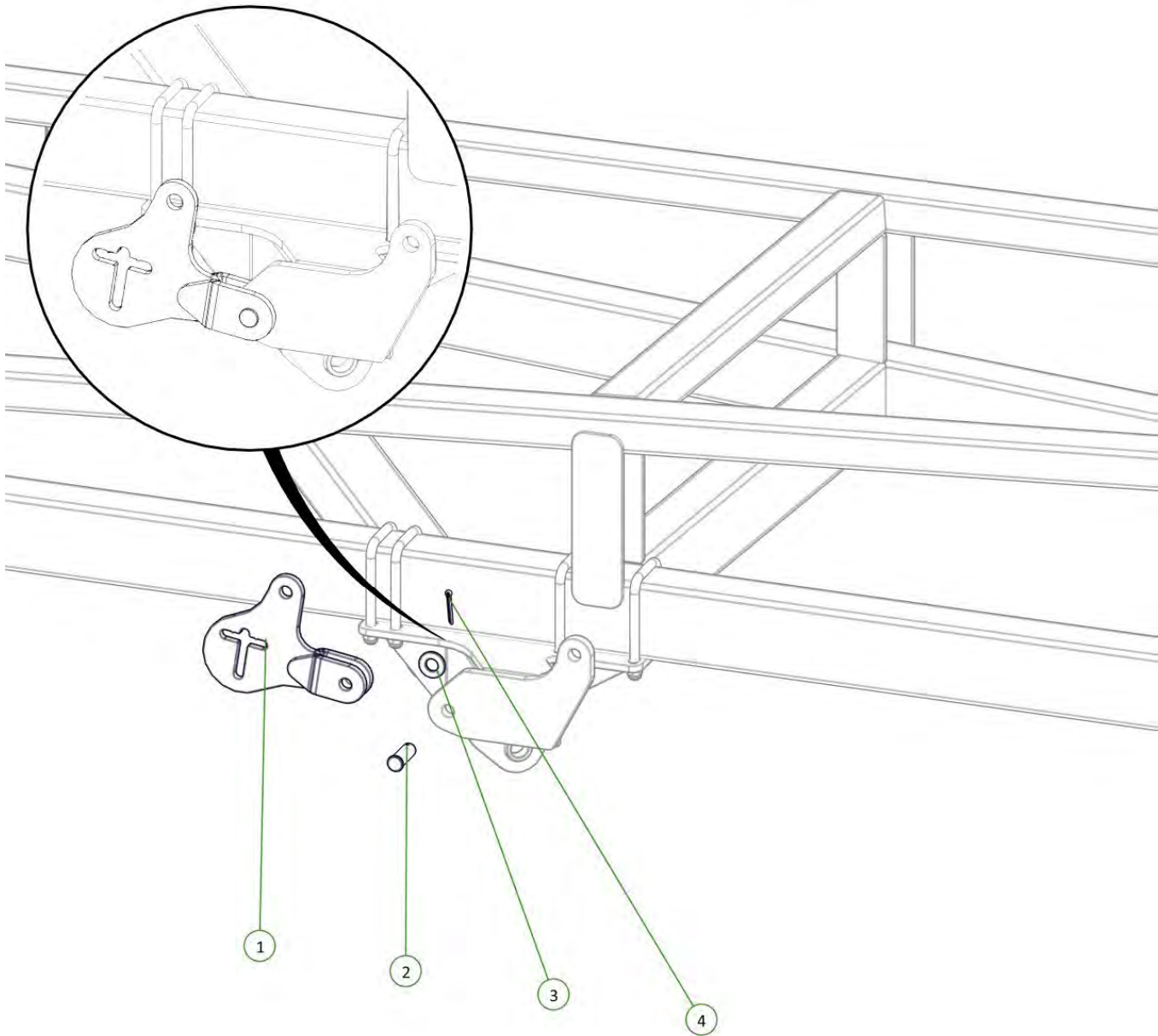
Item No.	Description	Number	Qty
1	Short Lift Arm Assembly	0810-167	2
2	Clevis Pin 25mm x 75mm	0801-KE0307-1	2
3	Cotter Pin M6 x 50mm	0261-PINC650	2
4	Washer Flat 1"	0231-F1	2



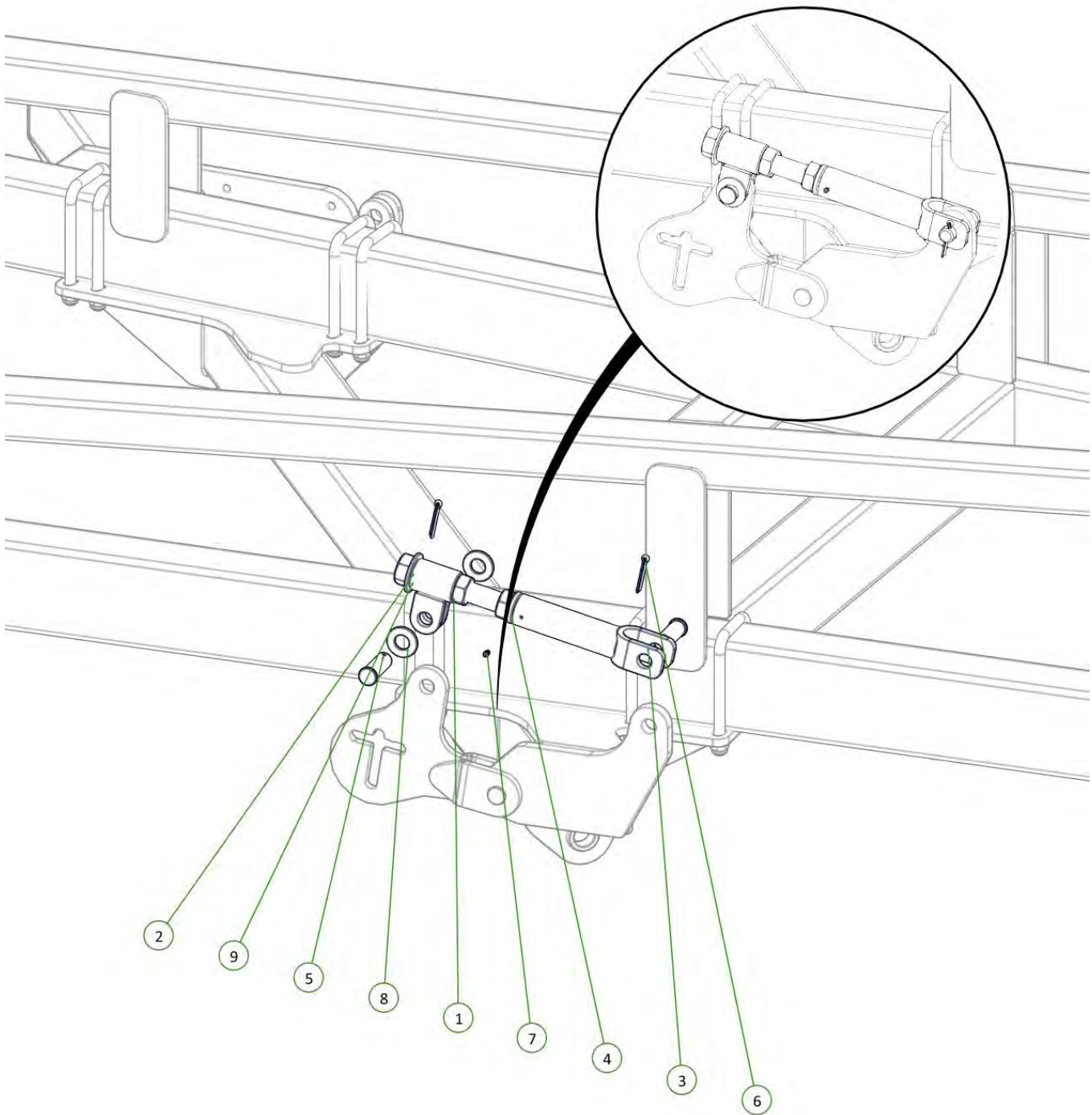
Item No.	Description	Number	Qty
1	Adjuster Mount	0810-161	2
2	Height Adjuster Rod Bolt	0810-163	2
3	Tension Adjuster Body	0810-164	2
4	ACME Lock Nut 1 1/4" - 5NA - 2G	0801-PCHTA-5N	4
5	Clevis Pin 25mm x 75mm	0801-KE0307-1	4
6	Cotter Pin M6 x 50mm	0261-PINC650	4
7	Grease Nipple 1/4" UNF	0181-GN1-4	2
8	Washer Flat 1"	0231-F1	4
9	Washer High Tensile 1 1/4"	0232-HT11-4	2

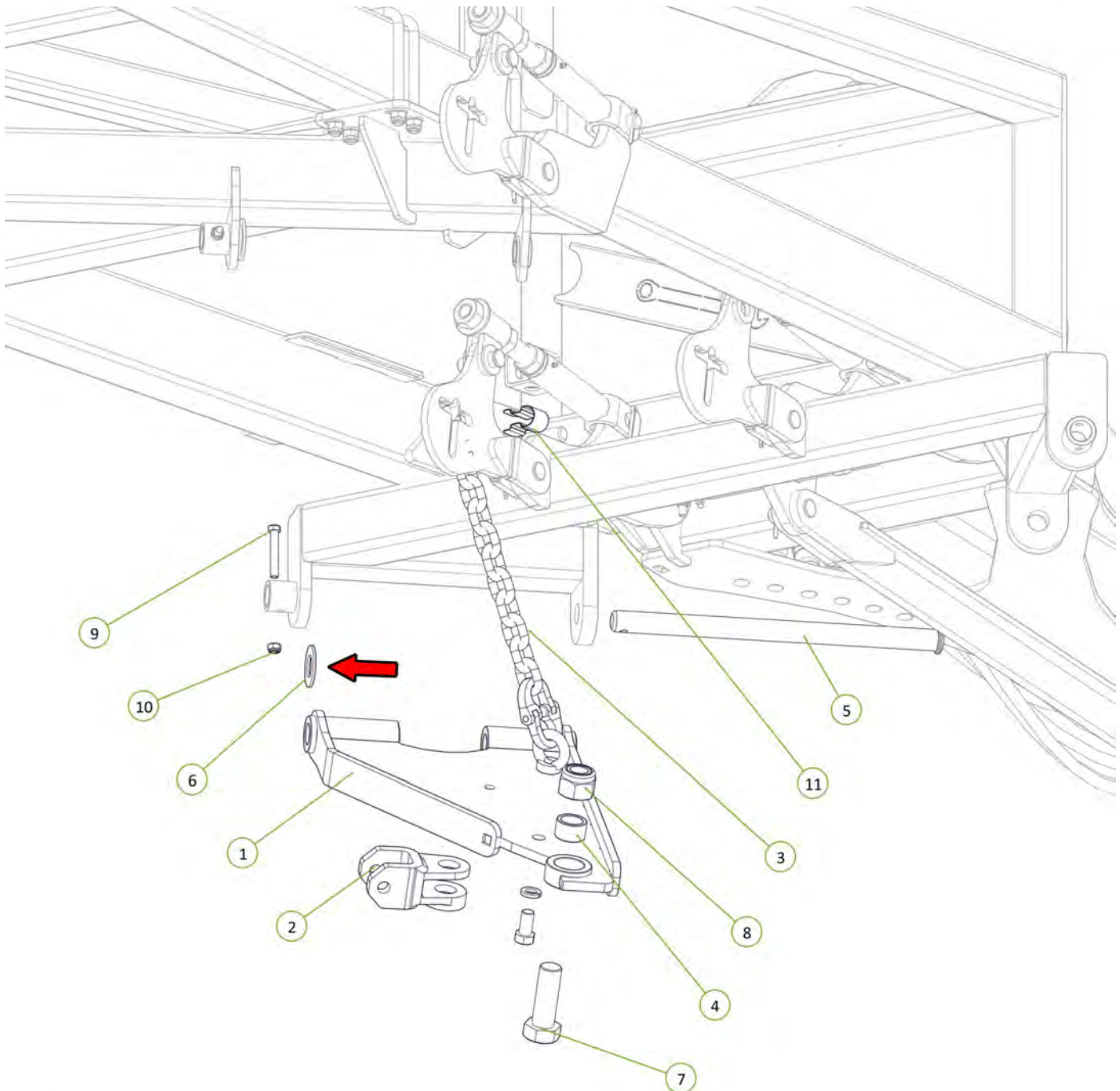


Item No.	Description	Number	Qty
1	Short Lift Arm Assembly	0810-167	1
2	Clevis Pin 25mm x 75mm	0801-KE0307-1	1
3	Washer Flat 1"	0231-F1	1
4	Cotter Pin M6 x 50mm	0261-PINC650	1



Item No.	Description	Number	Qty
1	Adjuster Mount	0810-161	1
2	Height Adjuster Rod Bolt	0810-163	1
3	Tension Adjuster Body	0810-164	1
4	ACME Lock Nut 1 1/4 - 5NA - 2G	0801-PCHTA-5N	2
5	Clevis Pin 25mm x 75mm	0801-KE0307-1	2
6	Cotter Pin M6 x 50mm	0261-PINC650	2
7	Grease Nipple 1/4" UNF	0181-GN1-4	1
8	Washer Flat 1"	0231-F1	2
9	Washer High Tensile 1 1/4"	0232-HT11-4	1



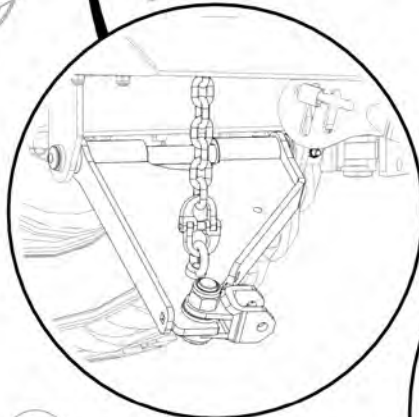
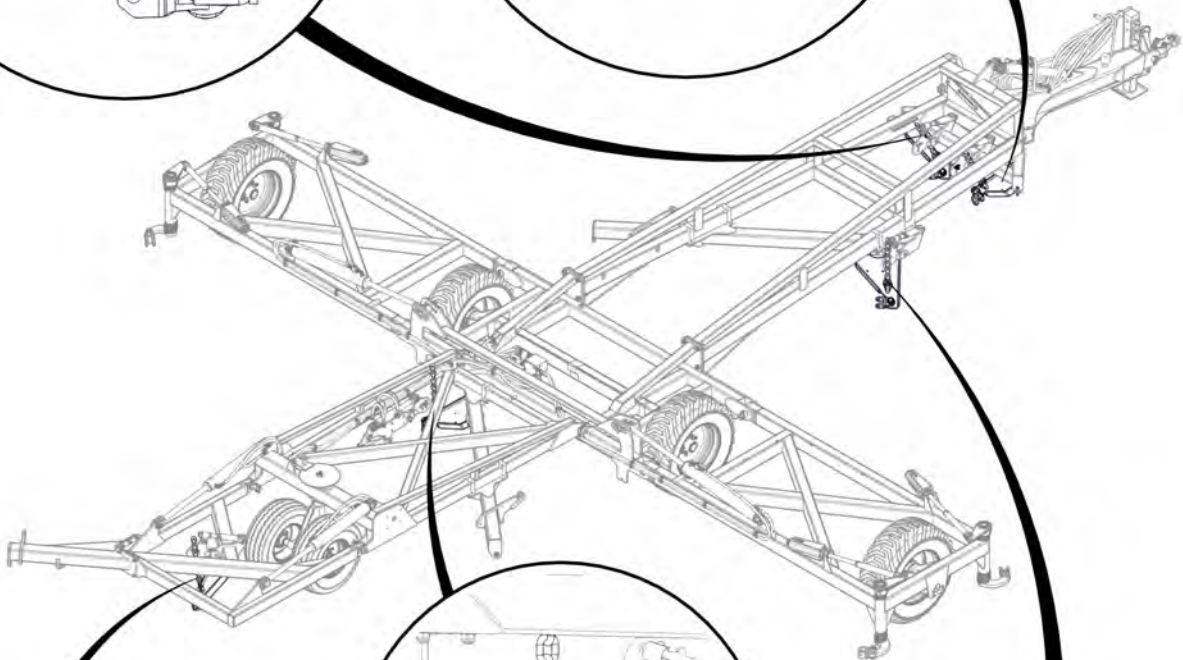
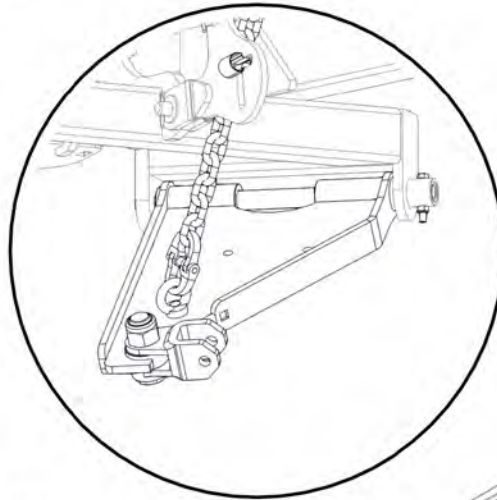
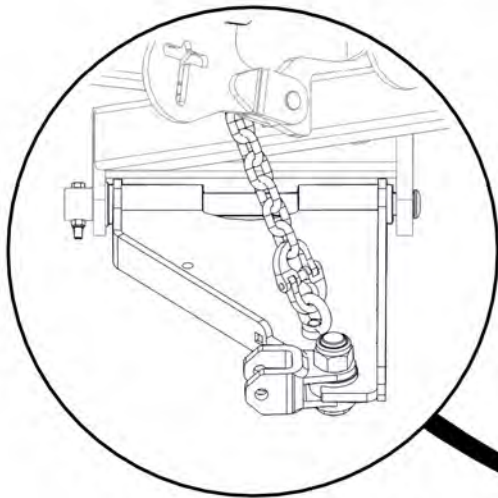


Item No.	Description	Number	Qty
1	Standard Chain Mount Plate	0810-20	1
2	Forged Clevis 21mm Bolt Hole	0801-FC21	1
3	Height Adjusting Chain Assembly 13 Link	0801-20MCA	1
4	Wear Bush	1501-365033-SS	1
5	Chain Mount Pivot Pin	0801-10-51	1
6	Washer High Tensile 1 3/8"	0232-HT13-8	1
7	M36 x 105 Class 8.8 ZP Bolt	0211-36105	1
8	Nyloc Nut M36	0221-NYL36	1
9	M12 x 80 Class 8.8 ZP Bolt	0211-1280	1
10	Nyloc Nut M12	0221-NYL12	1
11	Height Adjustor Retaining Clip	0801-KE014	1

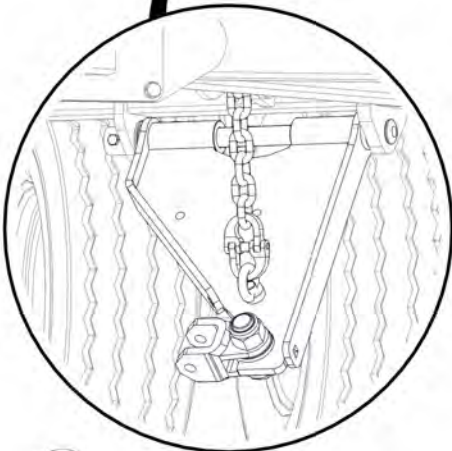




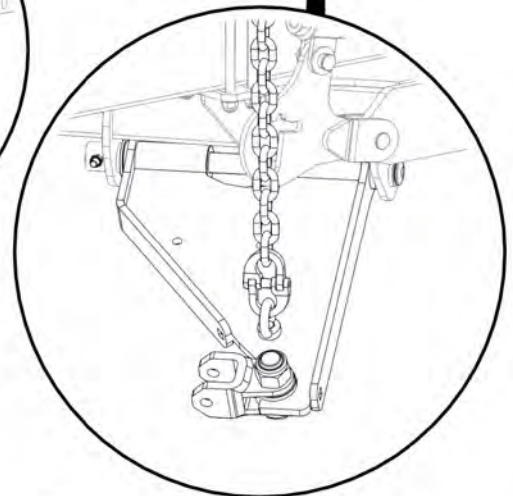
0802-FK-0830-02A-AS2-USA



0802-FK-0810-29-30A-AS2-USA

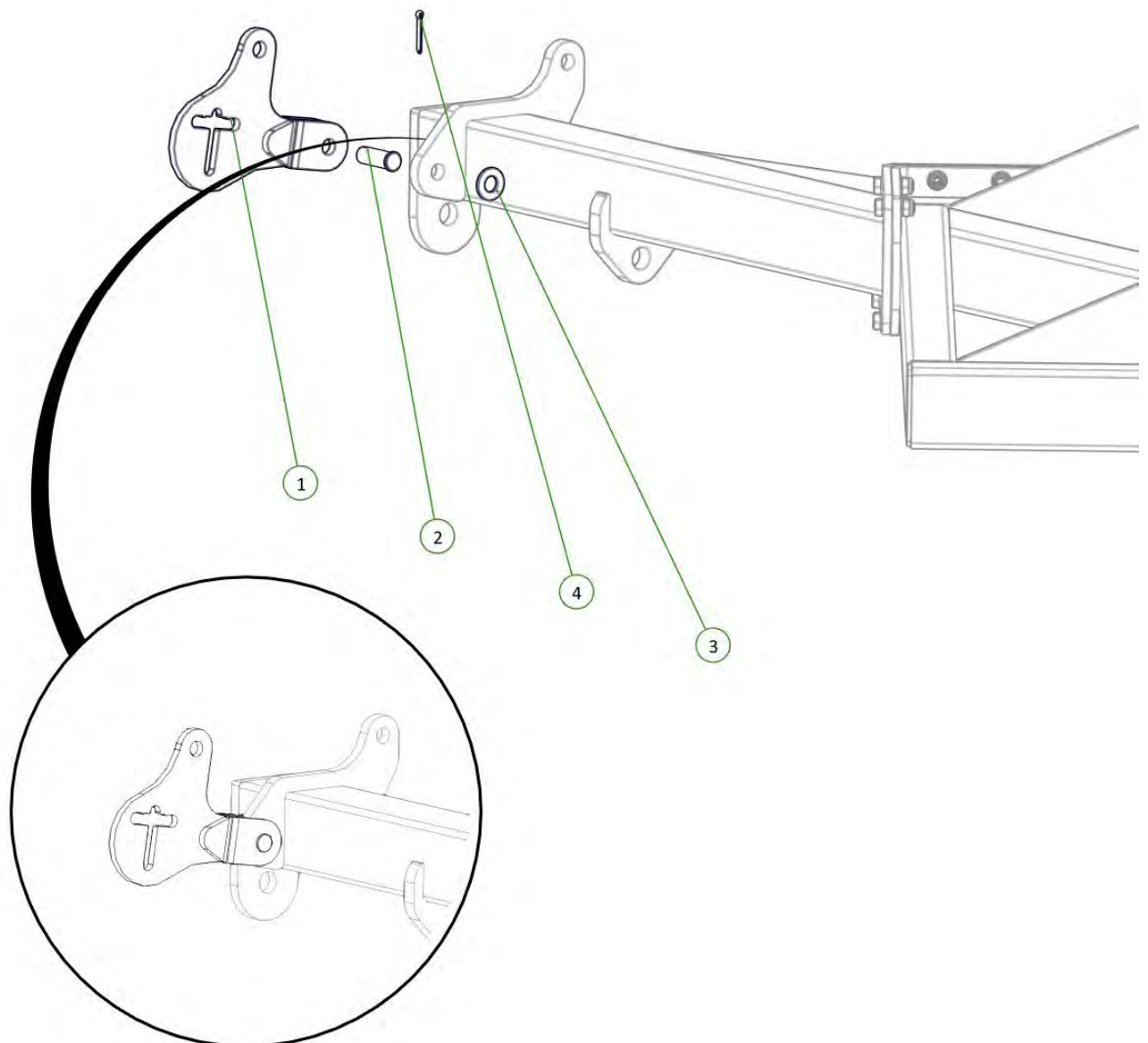


0802-FK-0810-10EA-AS2-USA

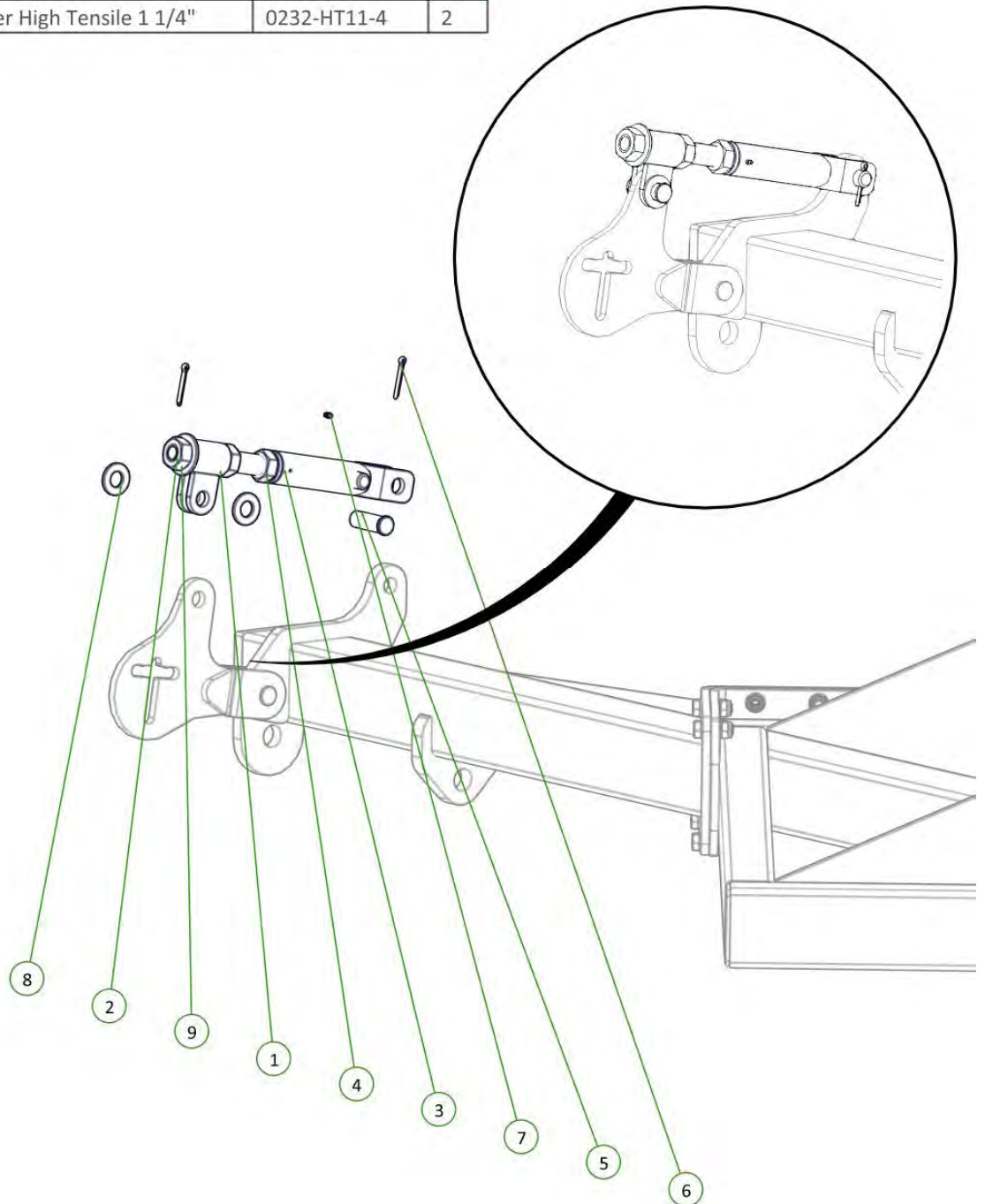


0802-FK-0810-28-30A-AS2-USA

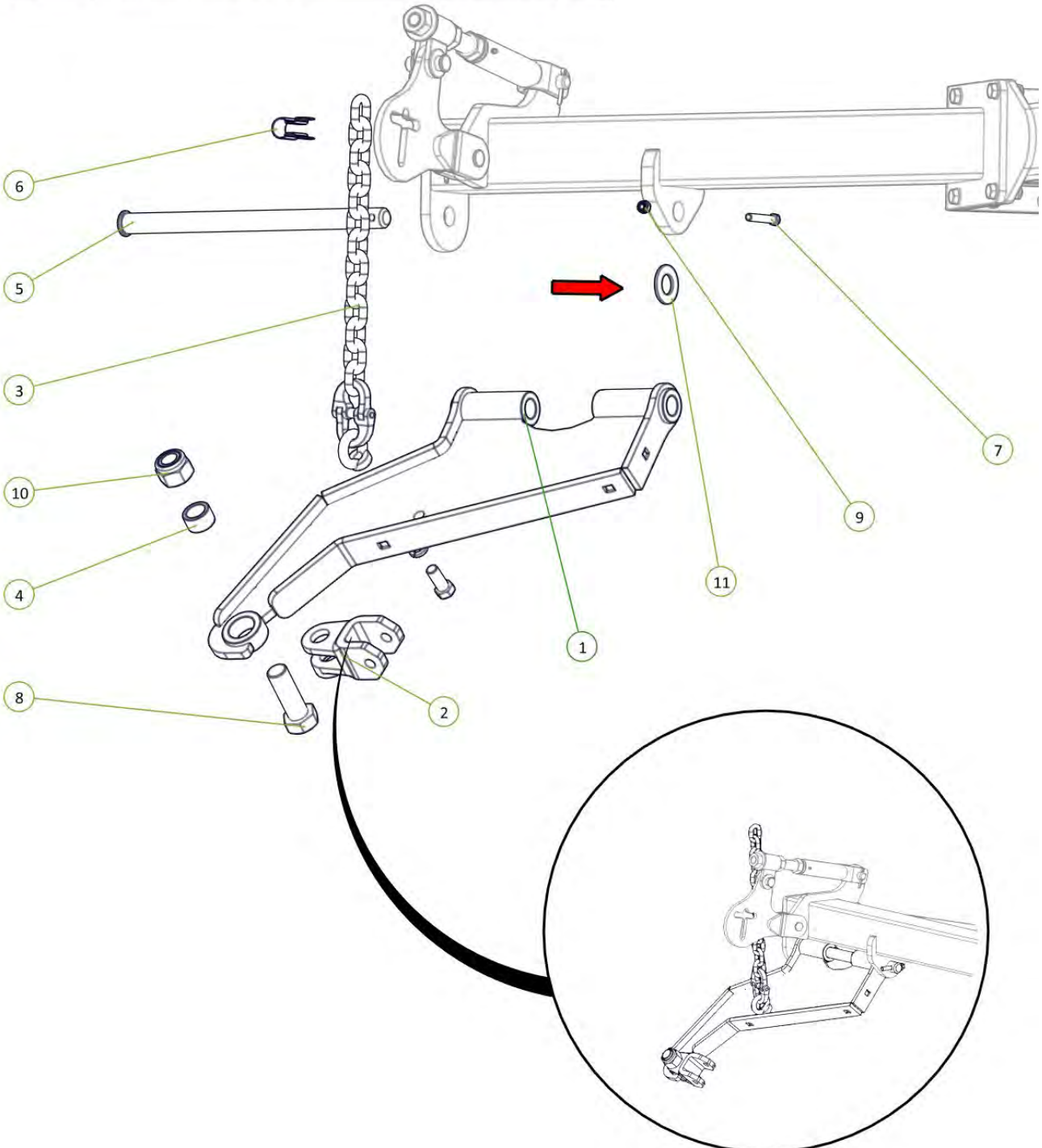
Item No.	Description	Number	Qty
1	Short Lift Arm Assembly	0810-167	1
2	Clevis Pin 25mm x 75mm	0801-KE0307-1	1
3	Washer Flat 1"	0231-F1	1
4	Cotter Pin M6 x 50mm	0261-PINC650	1



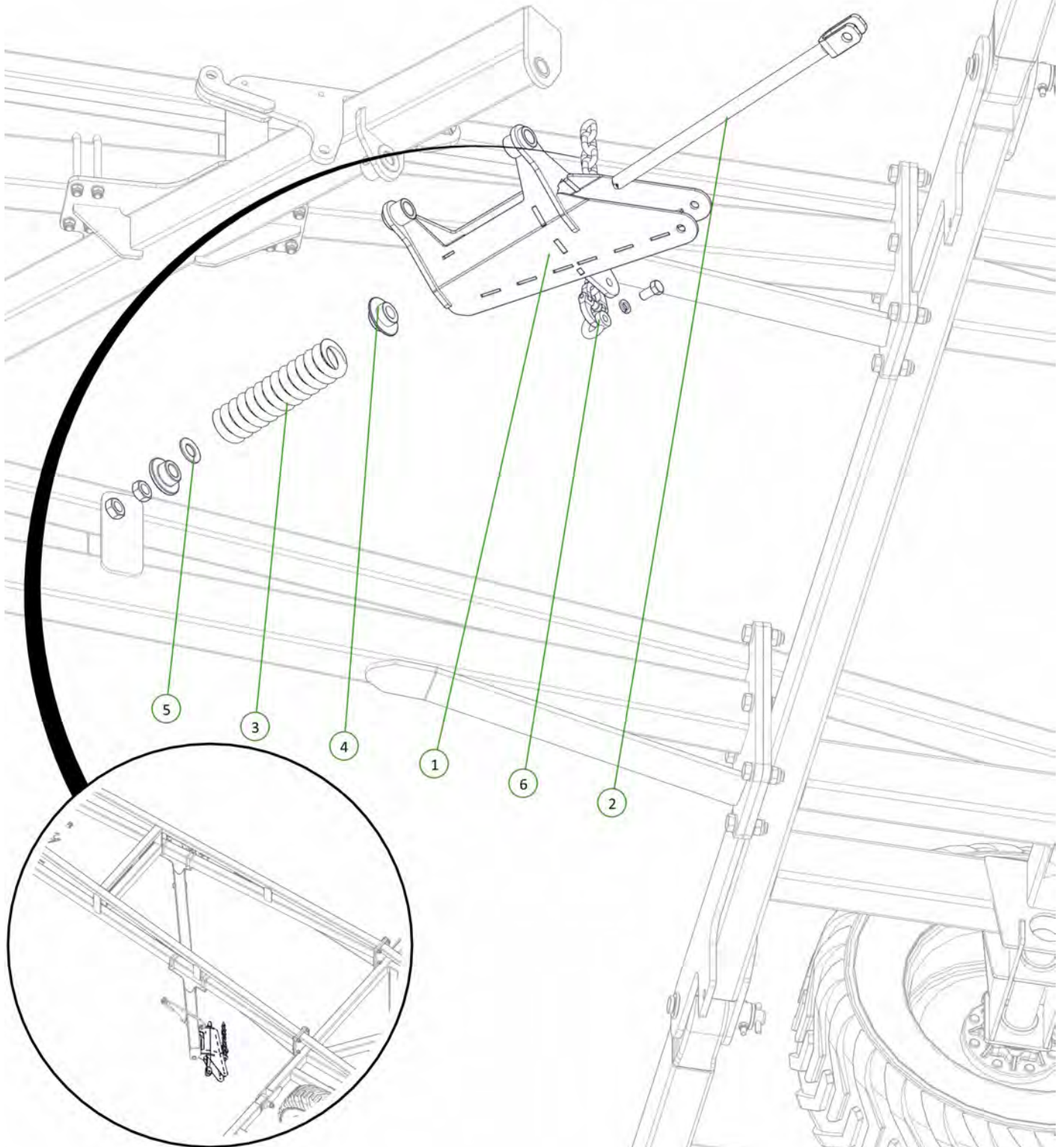
Item No.	Description	Number	Qty
1	Adjuster Mount	0810-161	1
2	Height Adjuster Rod Bolt	0810-163	1
3	Tension Adjuster Body	0810-164	1
4	ACME Lock Nut 1 1/4 - 5NA - 2G	0801-PCHTA-5N	4
5	Clevis Pin 25mm x 75mm	0801-KE0307-1	4
6	Cotter Pin M6 x 50mm	0261-PINC650	4
7	Grease Nipple 1/4" UNF	0181-GN1-4	2
8	Washer Flat 1"	0231-F1	4
9	Washer High Tensile 1 1/4"	0232-HT11-4	2



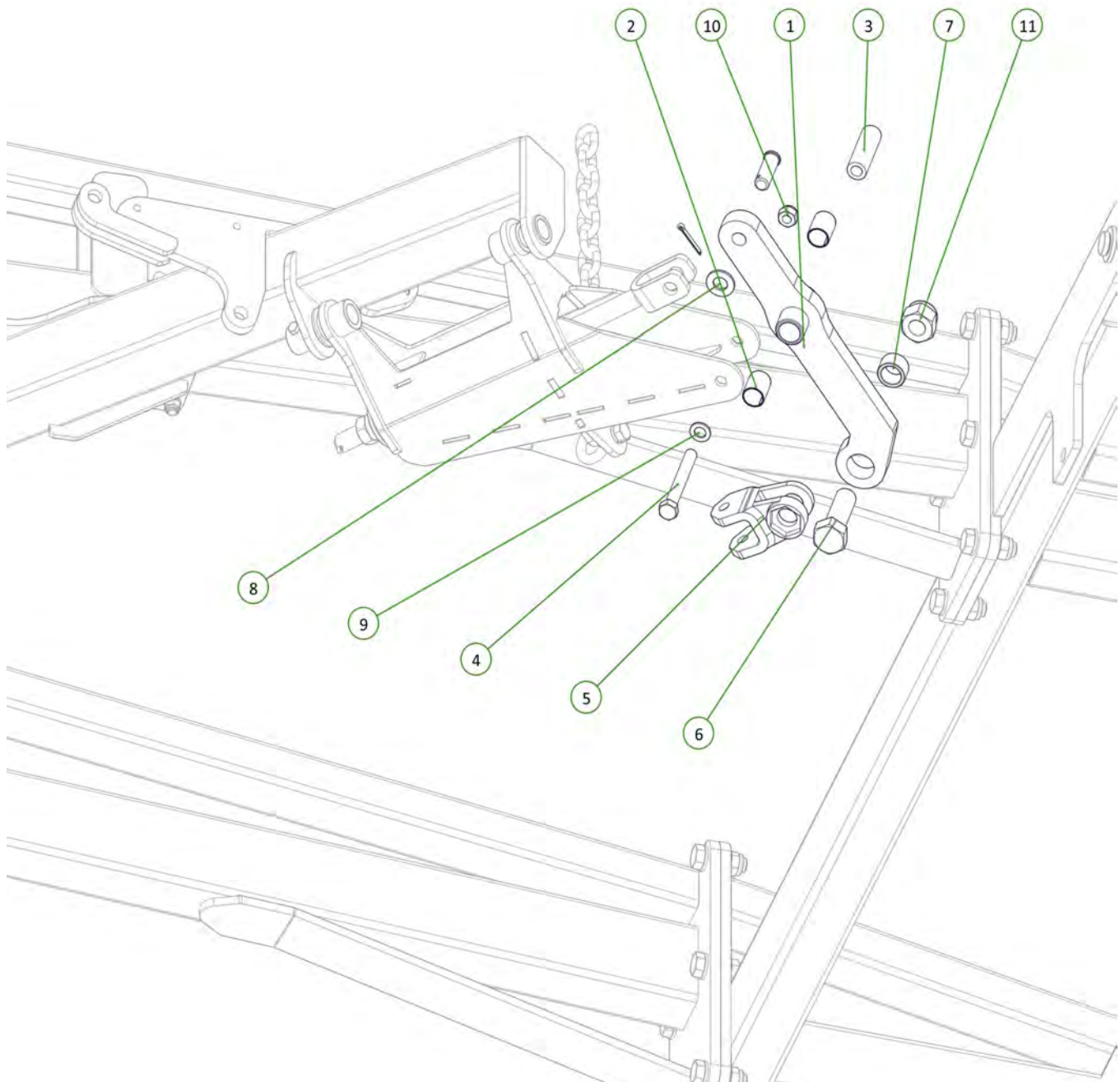
Item No.	Description	Number	Qty
1	Extended Chain Mount Plate	0810-69	1
2	Forged Clevis 21mm Bolt Hole	0801-FC21	1
3	Height Adjusting Chain Assembly 13 Link	0801-20MCA	1
4	Nyloc Nut M16	1501-365033-SS	1
5	Chain Mount Pivot Pin	0801-10-51	1
6	Height Adjustor Retaining Clip	0801-KE014	1
7	M12 x 80 Class 8.8 ZP Bolt	0211-1280	1
8	M36 x 105 Class 8.8 ZP Bolt	0211-36105	1
9	Nyloc Nut M12	0221-NYL12	1
10	Nyloc Nut M36	0221-NYL36	1
11	Washer High Tensile 1 3/8"	0232-HT13-8	1



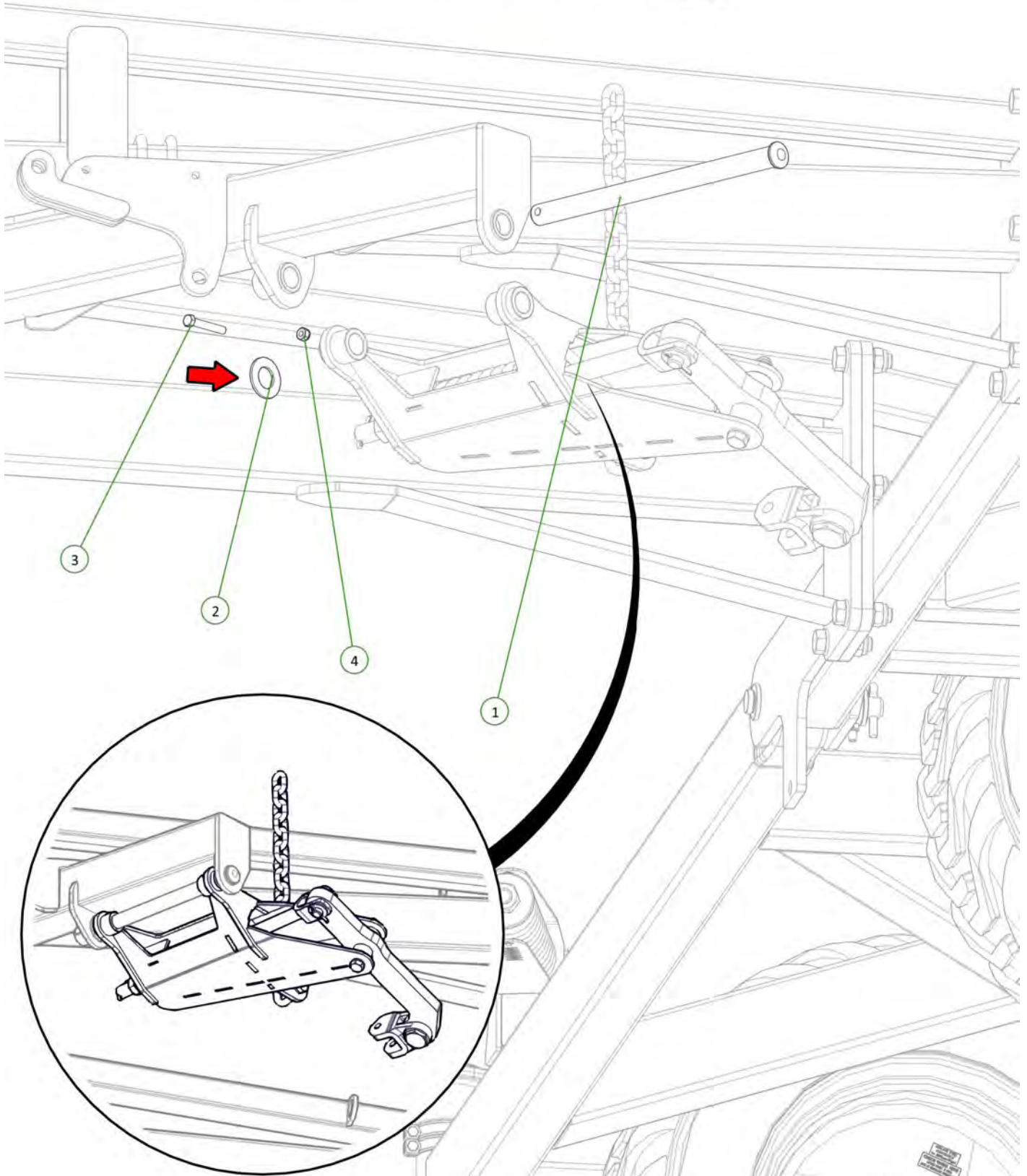
Item No.	Description	Number	Qty
1	Tension Box	0810-57	1
2	Module Tension Rod Assembly	0810-105A	1
3	20mm Compression Spring	0801-XK9261S	1
4	Rigid Spring Locator	0801-10-S2L	1
5	Washer High Tensile 1 1/4"	0232-HT11-4	1
6	Height Adjusting Chain Assembly 13 Link	0801-20MCA	1

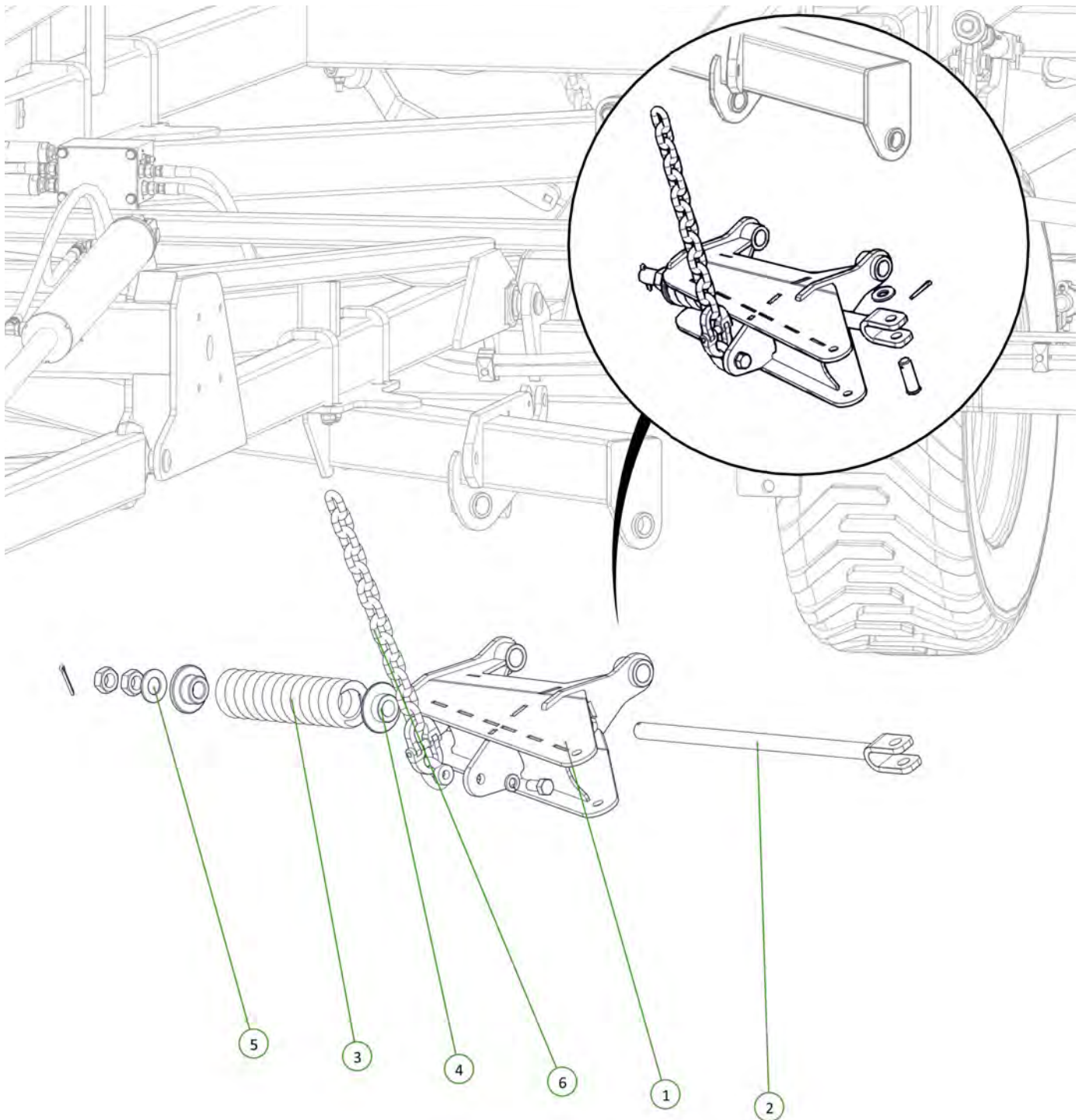


Item No.	Description	Number	Qty
1	Module Tension Arm No Clevis	0810-104F	1
2	35 ID x 50mm DU Bush	0113-MB3550DU	2
3	Module Pivot Arm Bush	0801-10-110	1
4	M20 x 160 Class 8.8 ZP Bolt	0211-20160	1
5	Forged Clevis 21mm Bolt Hole	0801-FC21	1
6	M36 x 105 Class 8.8 ZP Bolt	0211-36105	1
7	Wear Bush	1501-365033-SS	1
8	Washer Flat 1"	0232-F1	1
9	Washer Flat M20	0231-F20	1
10	Nyloc Nut M20	0221-NYL20	1
11	Nyloc Nut M36	0221-NYL36	1



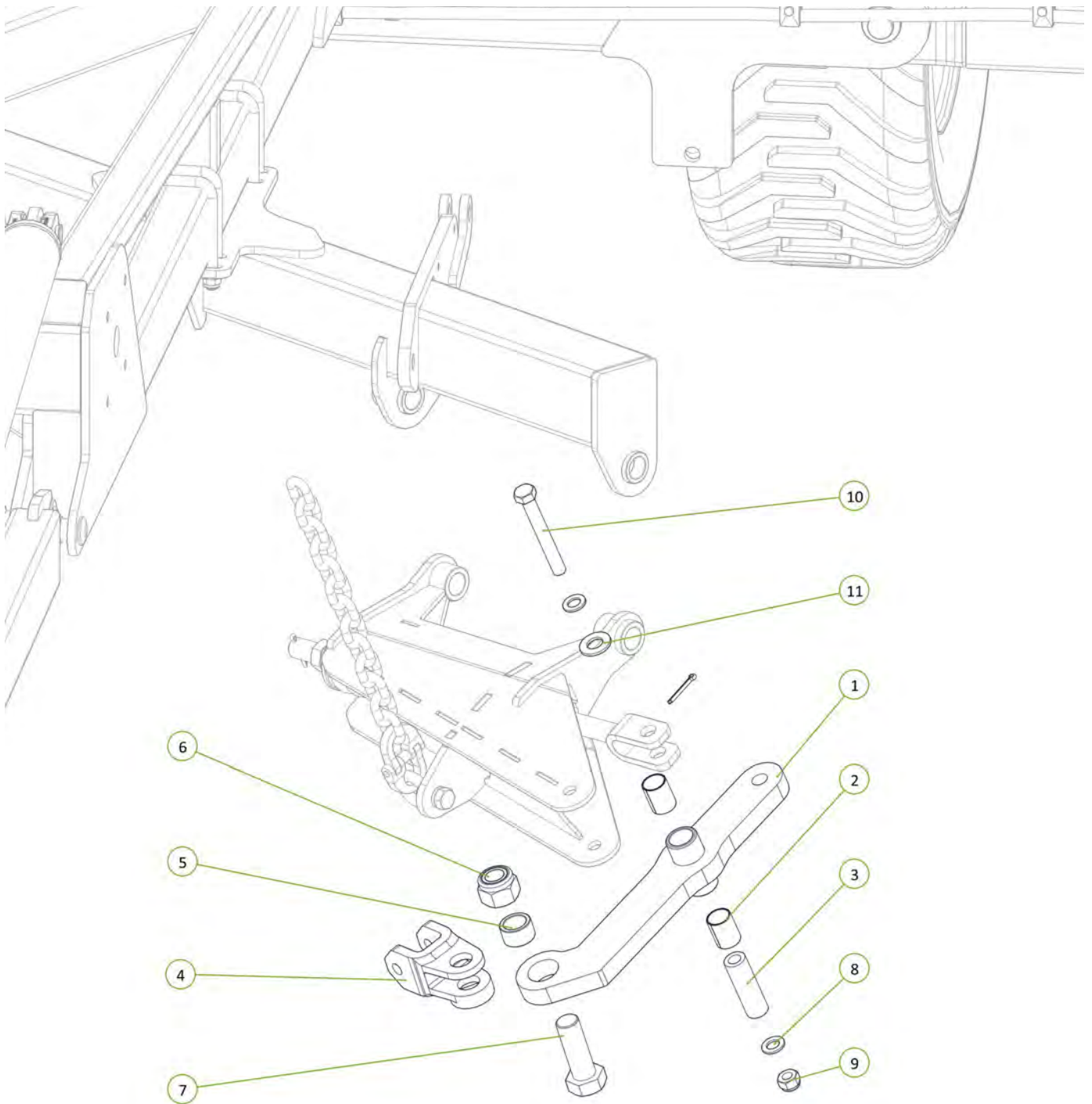
Item No.	Description	Number	Qty
1	Chain Mount Pivot Pin	0801-10-51	1
2	Washer High Tensile 1 3/8"	0232-HT13-8	1
3	M12 x 80 Class 8.8 ZP Bolt	0211-1280	1
4	Nyloc Nut M12	0221-NYL12	1





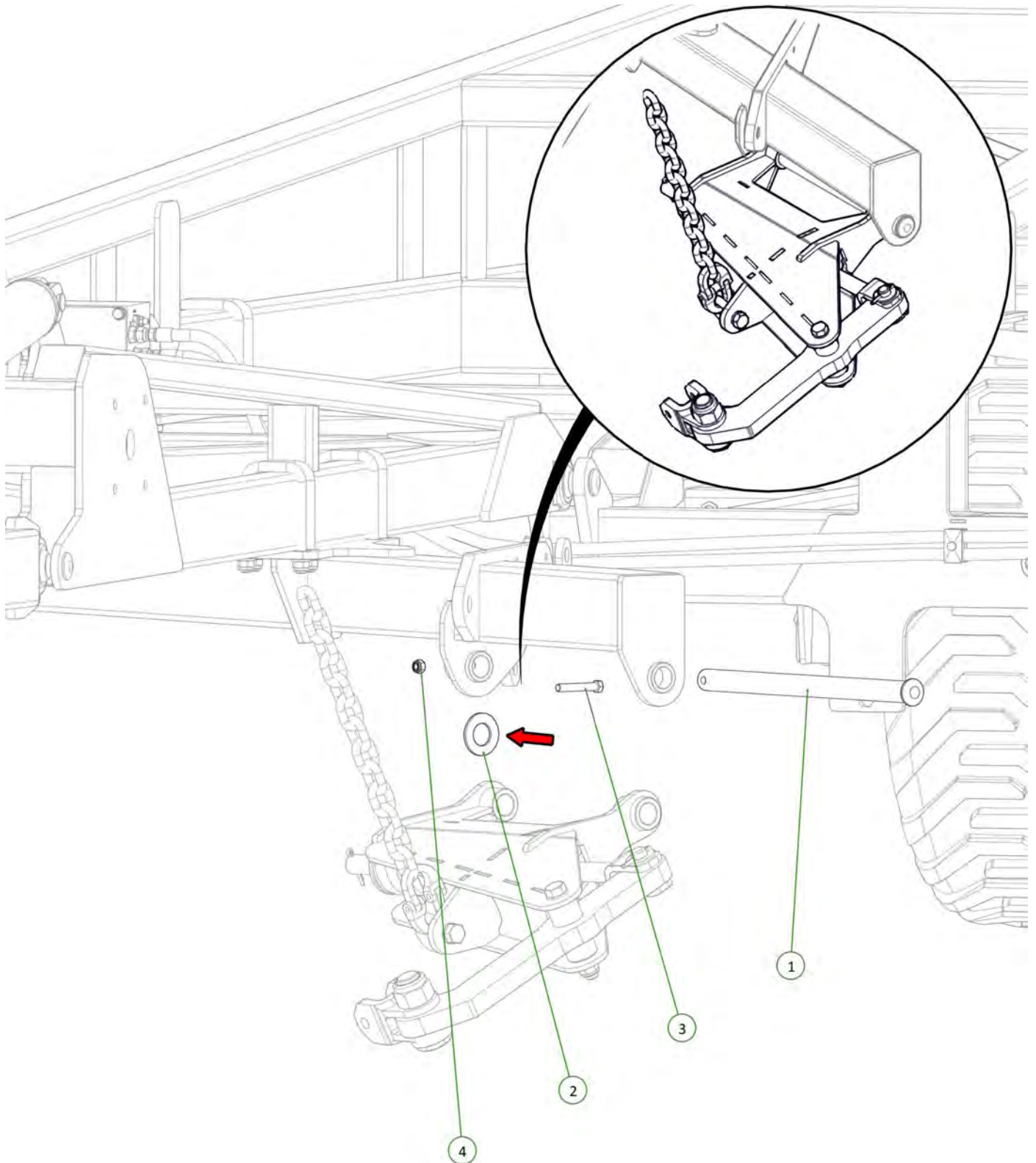
Item No.	Description	Number	Qty
1	Tension Box	0810-57	1
2	Module Tension Rod Assembly	0810-105A	1
3	20mm Compression Spring	0801-XK9261S	1
4	Rigid Spring Locator	0801-10-S2L	1
5	Washer High Tensile 1 1/4"	0232-HT11-4	1
6	Height Adjusting Chain Assembly 13 Link	0801-20MCA	1





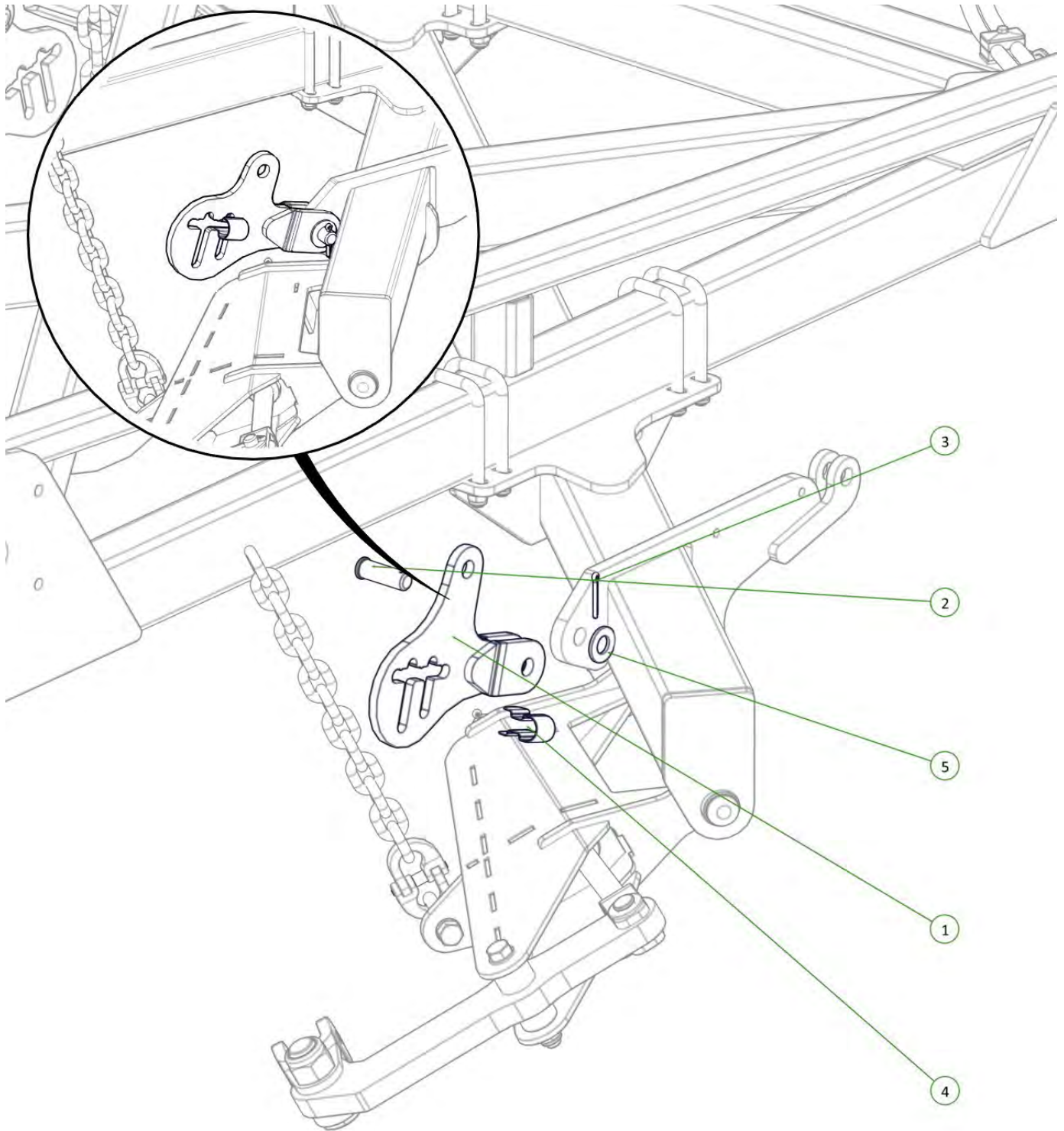
Item No.	Description	Number	Qty
1	Module Tension Arm No Clevis	0810-104F	1
2	35 ID x 50mm DU Bush	0113-MB3550DU	2
3	Module Pivot Arm Bush	0801-10-110	1
4	Forged Clevis 21mm Bolt Hole	0801-FC21	1
5	Wear Bush	1501-365033-SS	1
6	Nyloc Nut M36	0221-NYL36	1
7	M36 x 105 Class 8.8 ZP Bolt	0211-36105	1
8	Washer Flat M20	0231-F20	2
9	Nyloc Nut M20	0221-NYL20	1
10	M20 x 160 Class 8.8 ZP Bolt	0211-20160	1
11	Washer Flat 1"	0232-F1	1





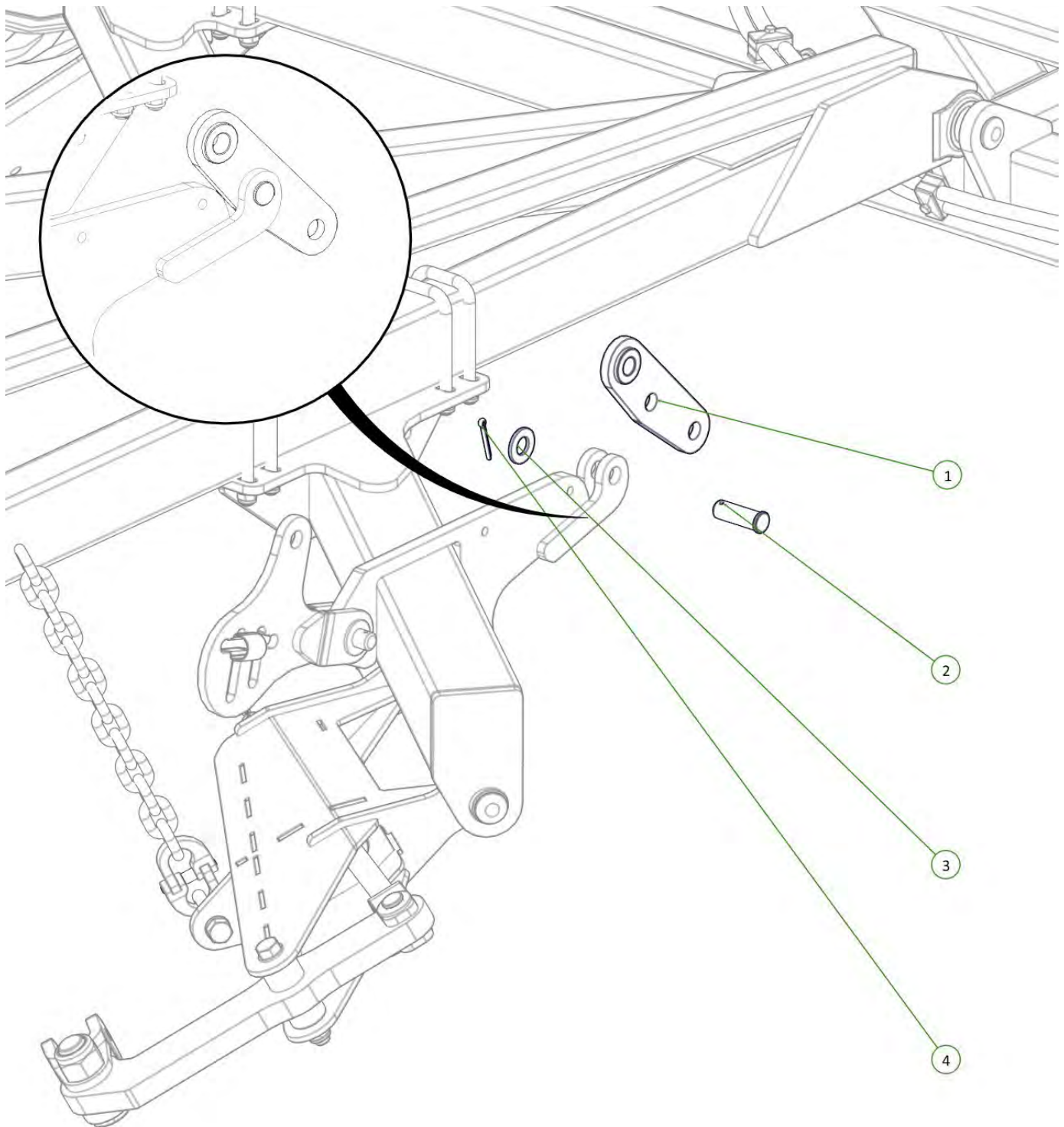
Item No.	Description	Number	Qty
1	Chain Mount Pivot Pin	0801-10-51	1
2	Washer High Tensile 1 3/8"	0232-HT13-8	1
3	M12 x 80 Class 8.8 ZP Bolt	0211-1280	1
4	Nyloc Nut M12	0221-NYL12	1





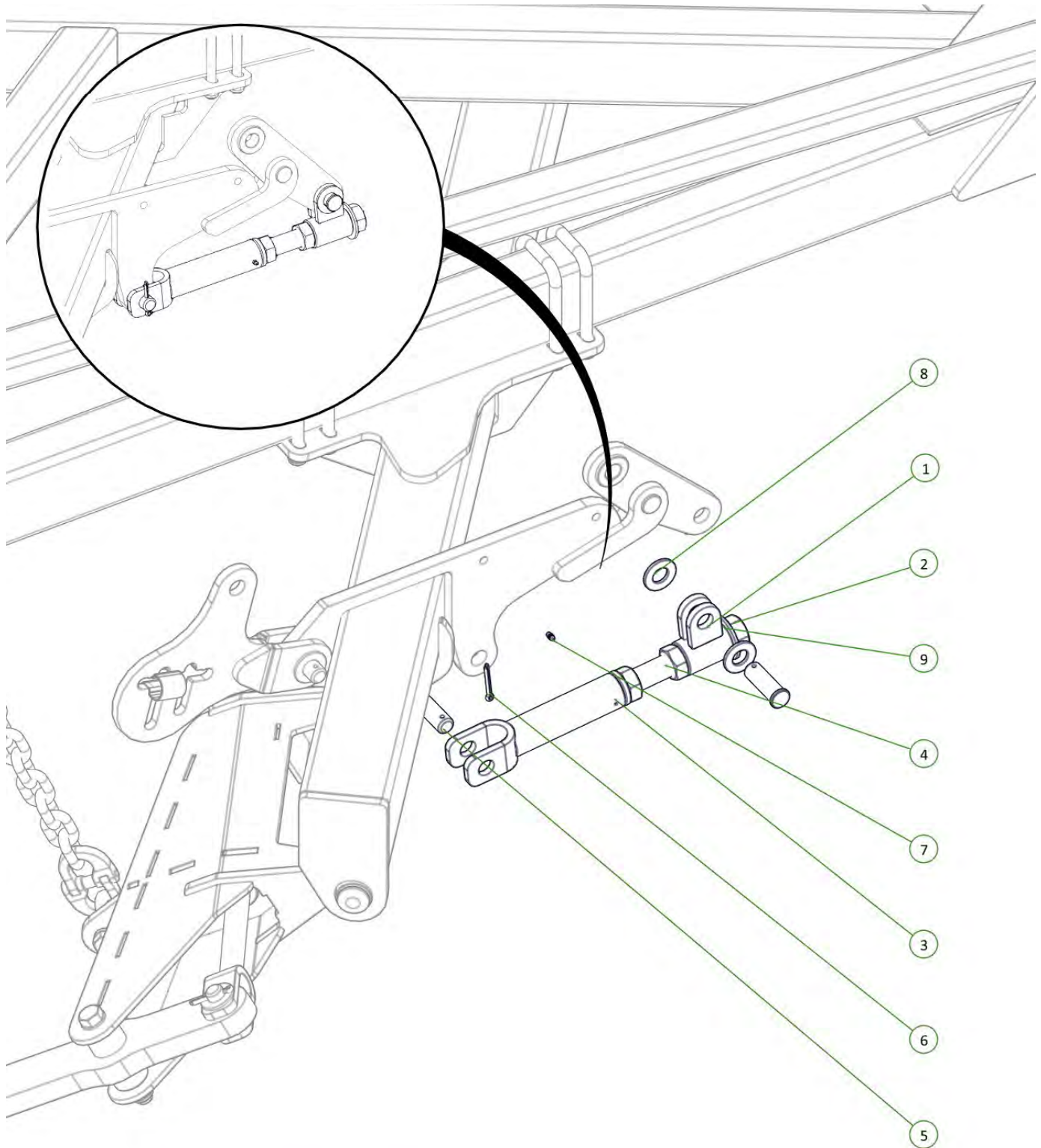
Item No.	Description	Number	Qty
1	Reduced Lift Arm	0810-84	1
2	Clevis Pin 25mm x 75mm	0801-KE0307-1	1
3	Cotter Pin M5 x 50	0261-PINC550	1
4	Height Adjuster Retaining Clip	0801-KE014	1
5	Washer Flat 1"	0232-F1	1





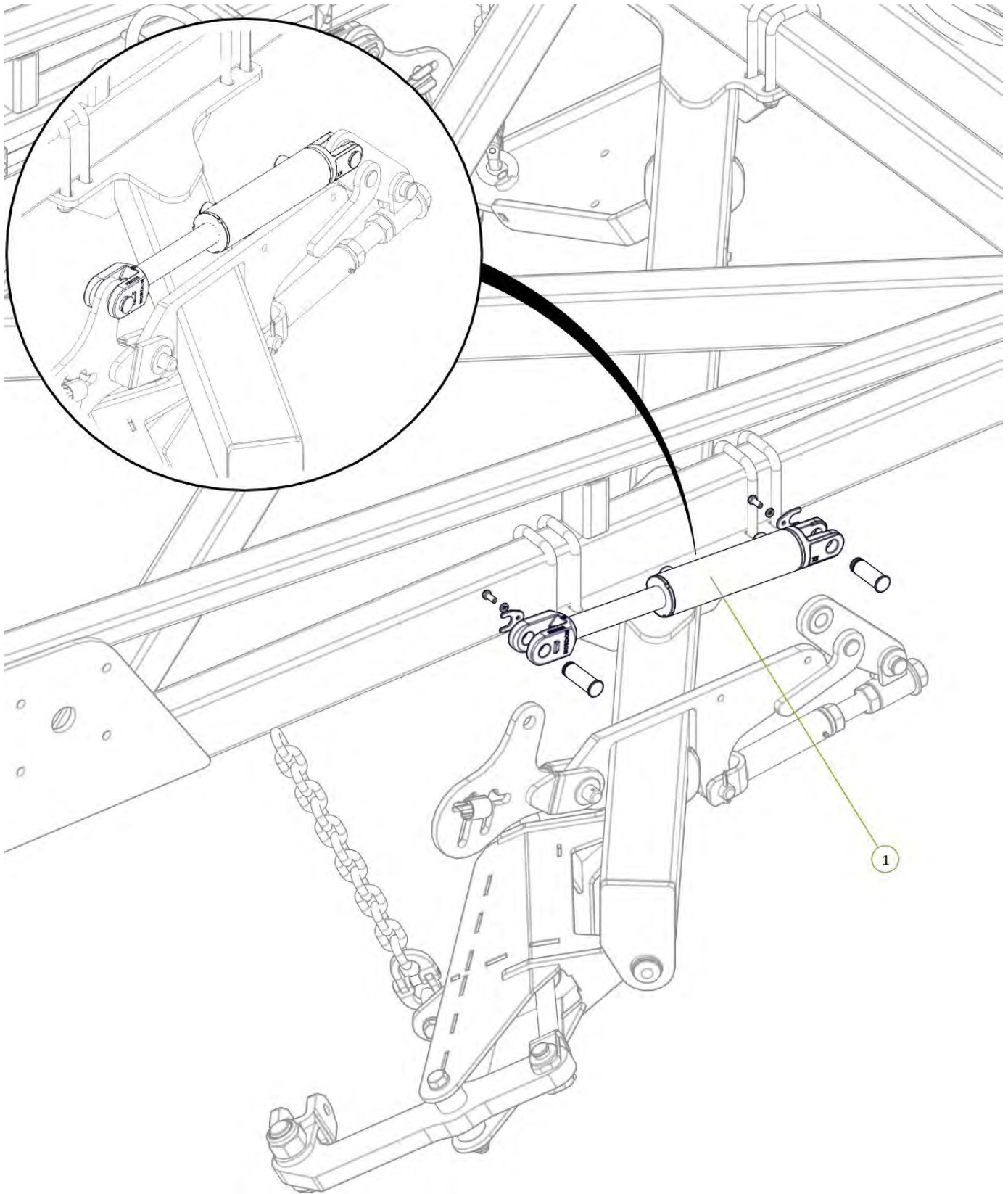
Item No.	Description	Number	Qty
1	Adjuster Linkage	0810-88	1
2	Clevis Pin 25mm x 75mm	0801-KE0307-1	1
3	Washer Flat 1"	0231-F1	1
4	Cotter Pin M6 x 50mm	0261-PINC650	1



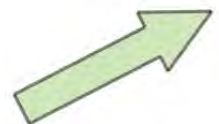


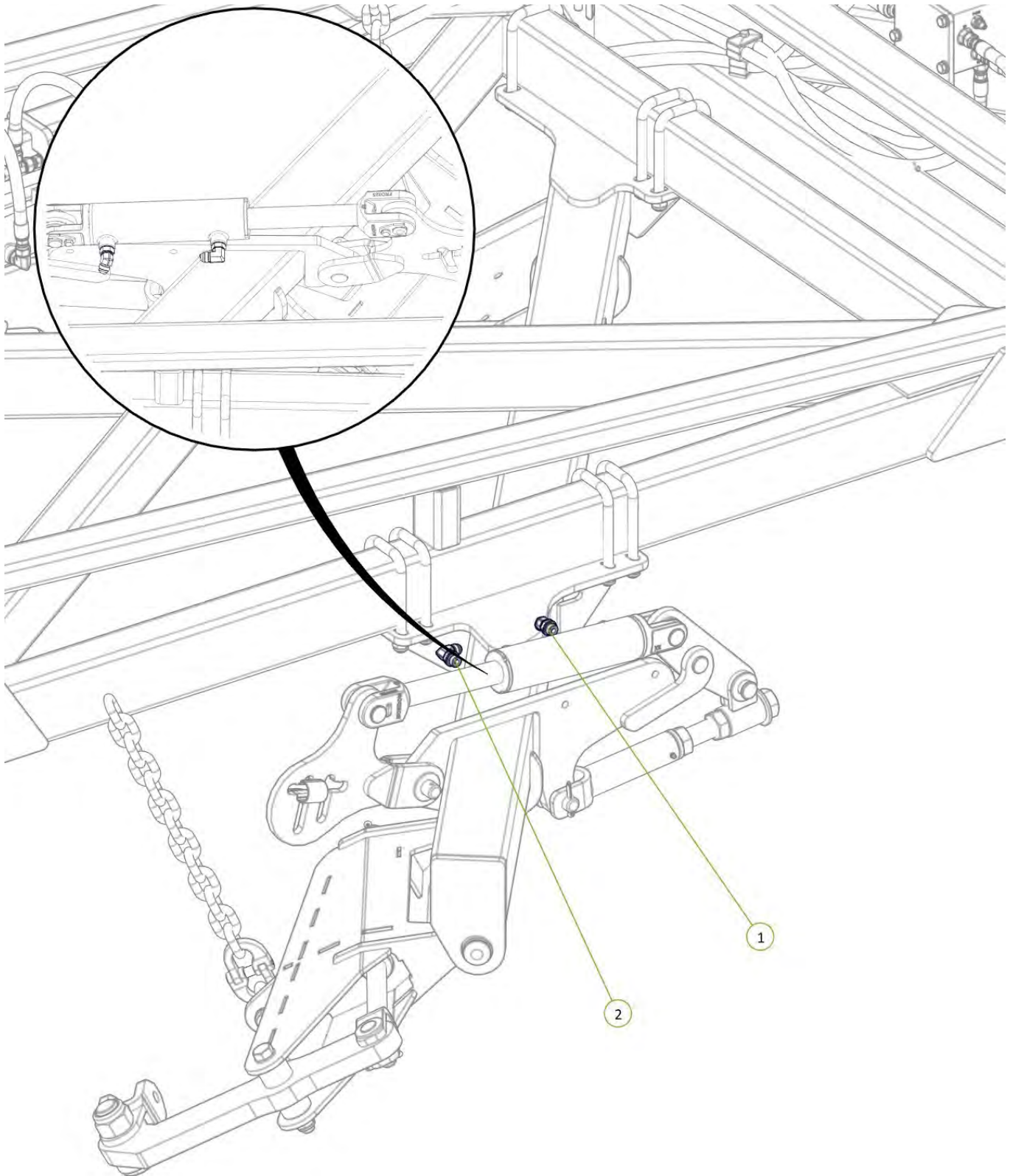
Item No.	Description	Number	Qty
1	0810-161-1	0810-161	1
2	0810-163-1	0810-163	1
3	0810-164-1	0810-164	1
4	0801-PCHTA-5N-5	0801-PCHTA-5N	2
5	0801-KE0307-1-2	0801-KE0307-1	2
6	0261-PINC650-2	0261-PINC650	2
7	0181-GN1-4-1	0181-GN1-4	1
8	0231-F-2	0231-F1	2
9	0232-HT11-4-1	0232-HT11-4	1



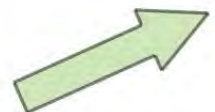


Item No.	Description	Number	Qty
1	2.5" Bore x 6" Stroke 1.5" Rod Side Port Cylinder	0311-256SP	1

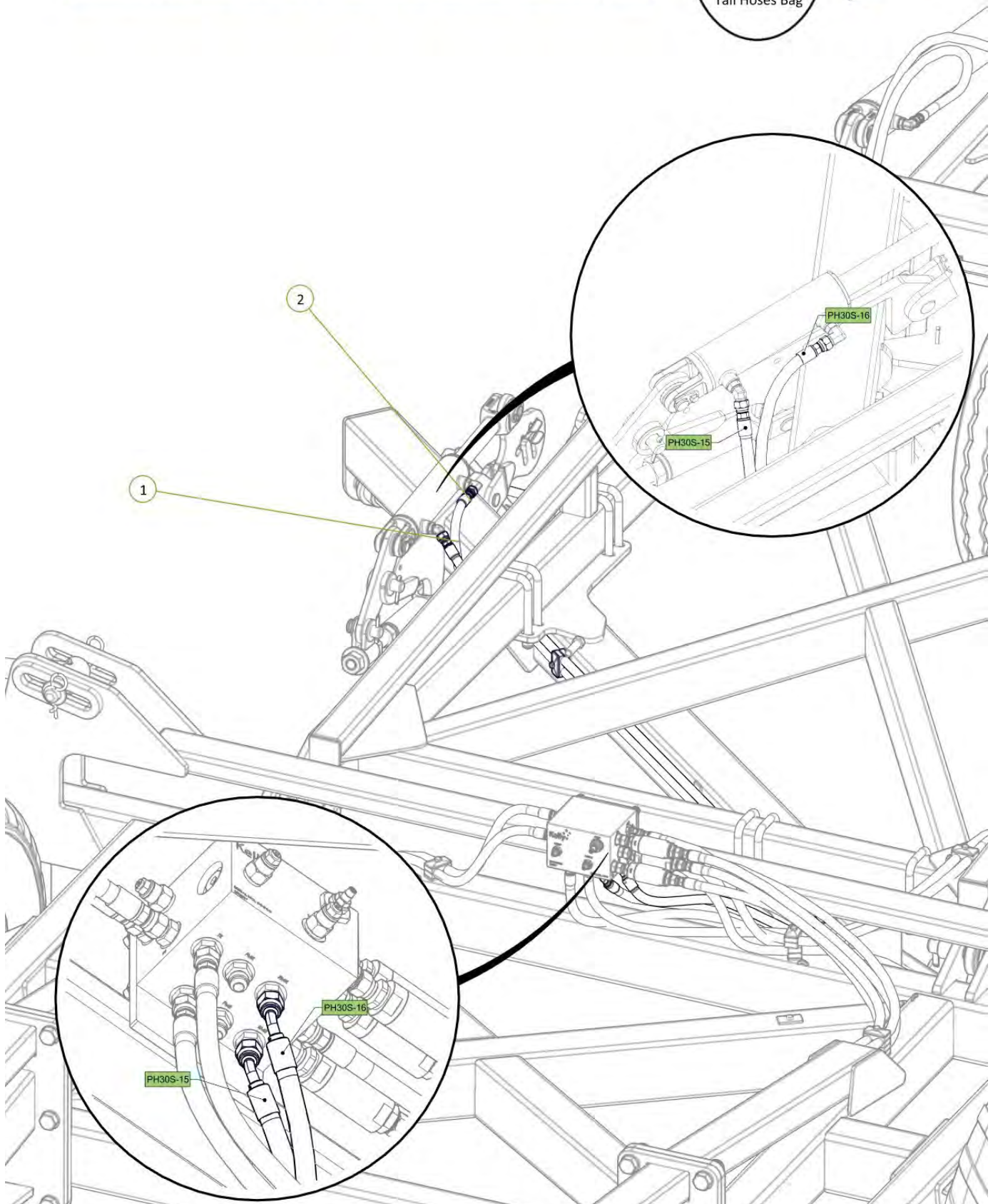


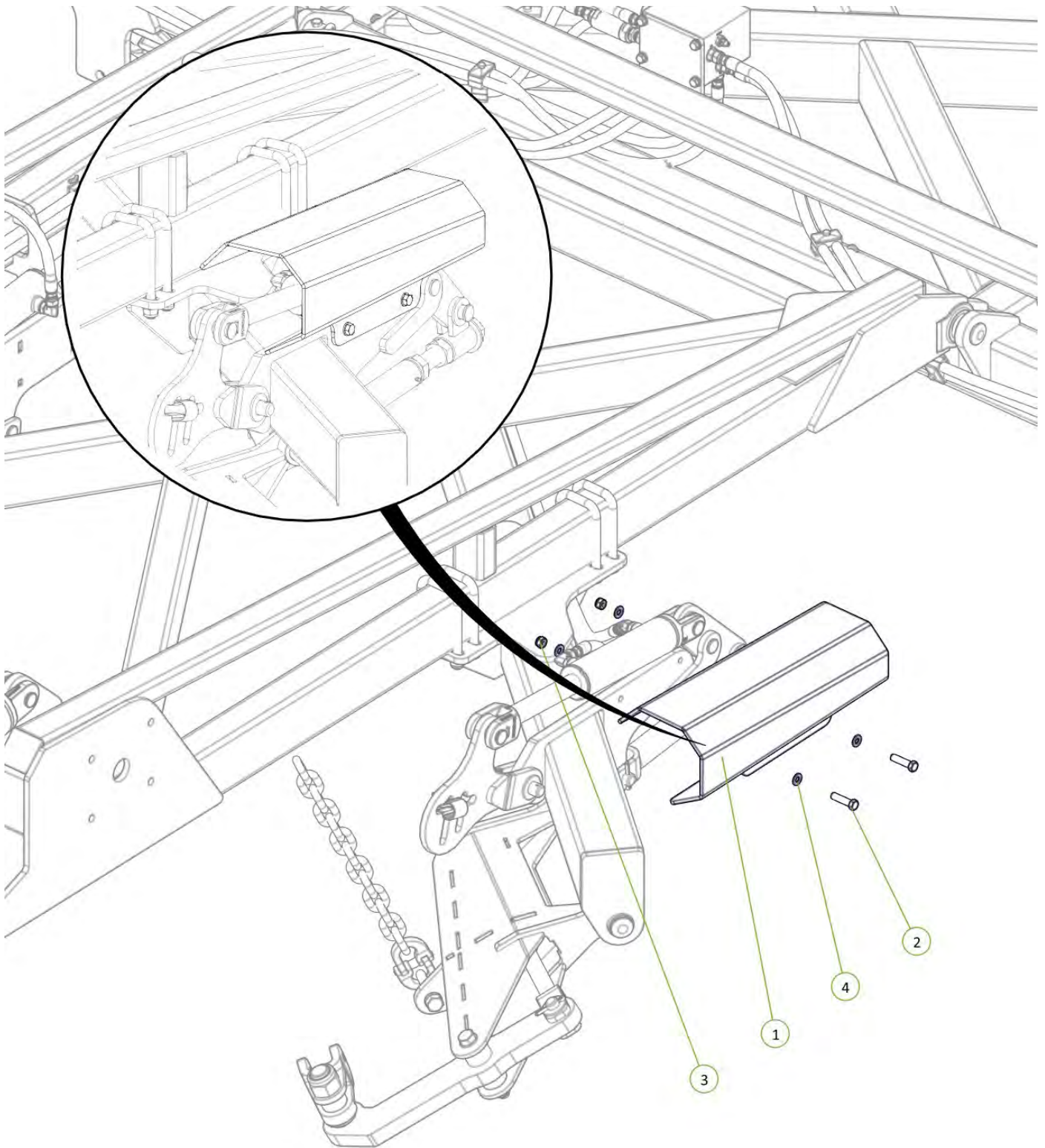


Item No.	Description	Number	Qty
1	3/4" JIC Male 3/4" UN O Ring Male 45° Elbow	0323-S88-1212	1
2	3/4" JIC Male 3/4" UN O Ring Male 90° Elbow	0323-S91-1212	1



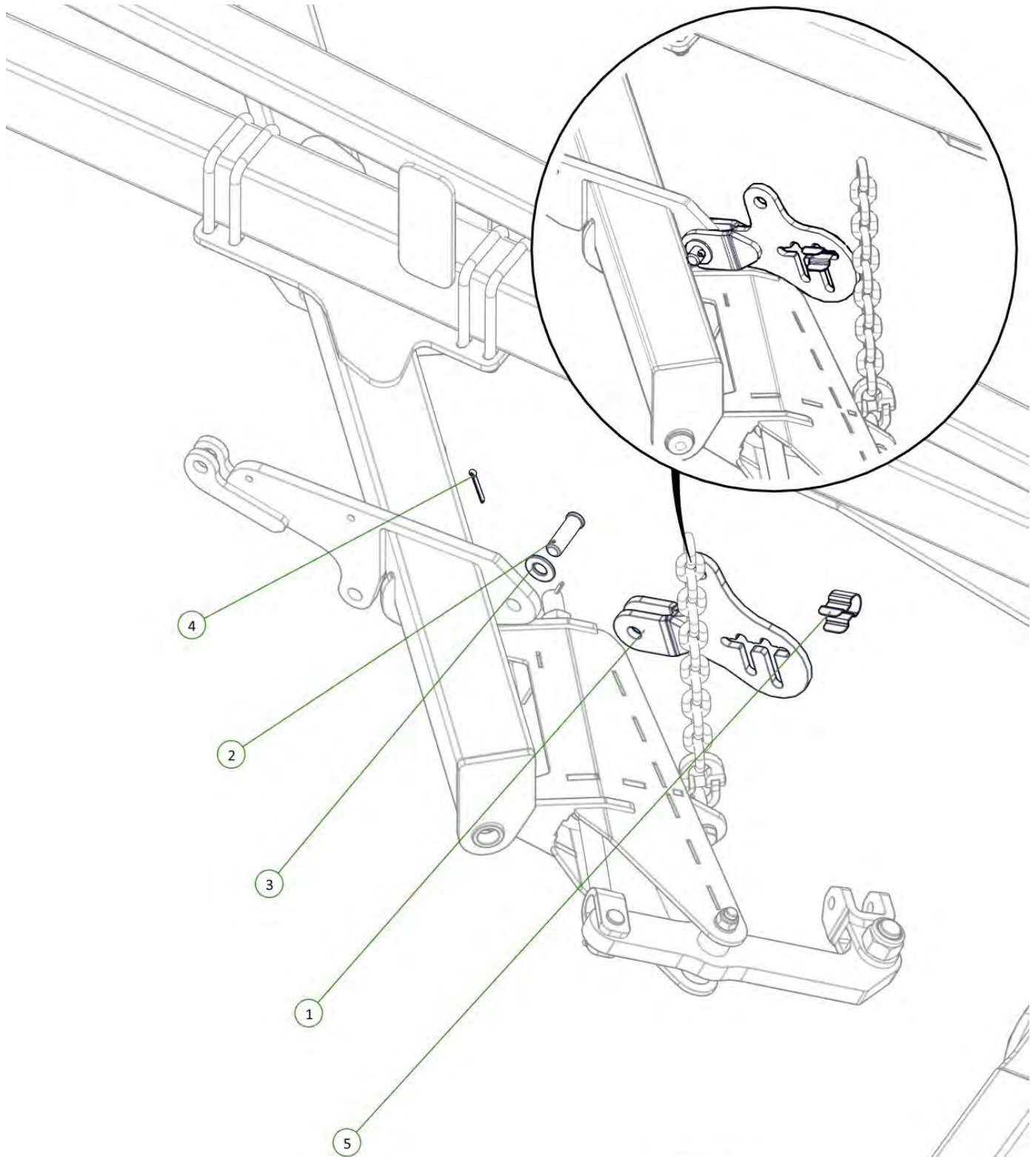
Item No.	Description	Number	Qty
1	Valve RME Port to Right Rear Module Rear Port	PH30S-15	1
2	Valve RMR Port to Right Rear Module Rod Port	PH30S-16	1



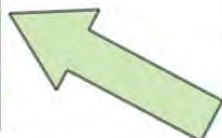


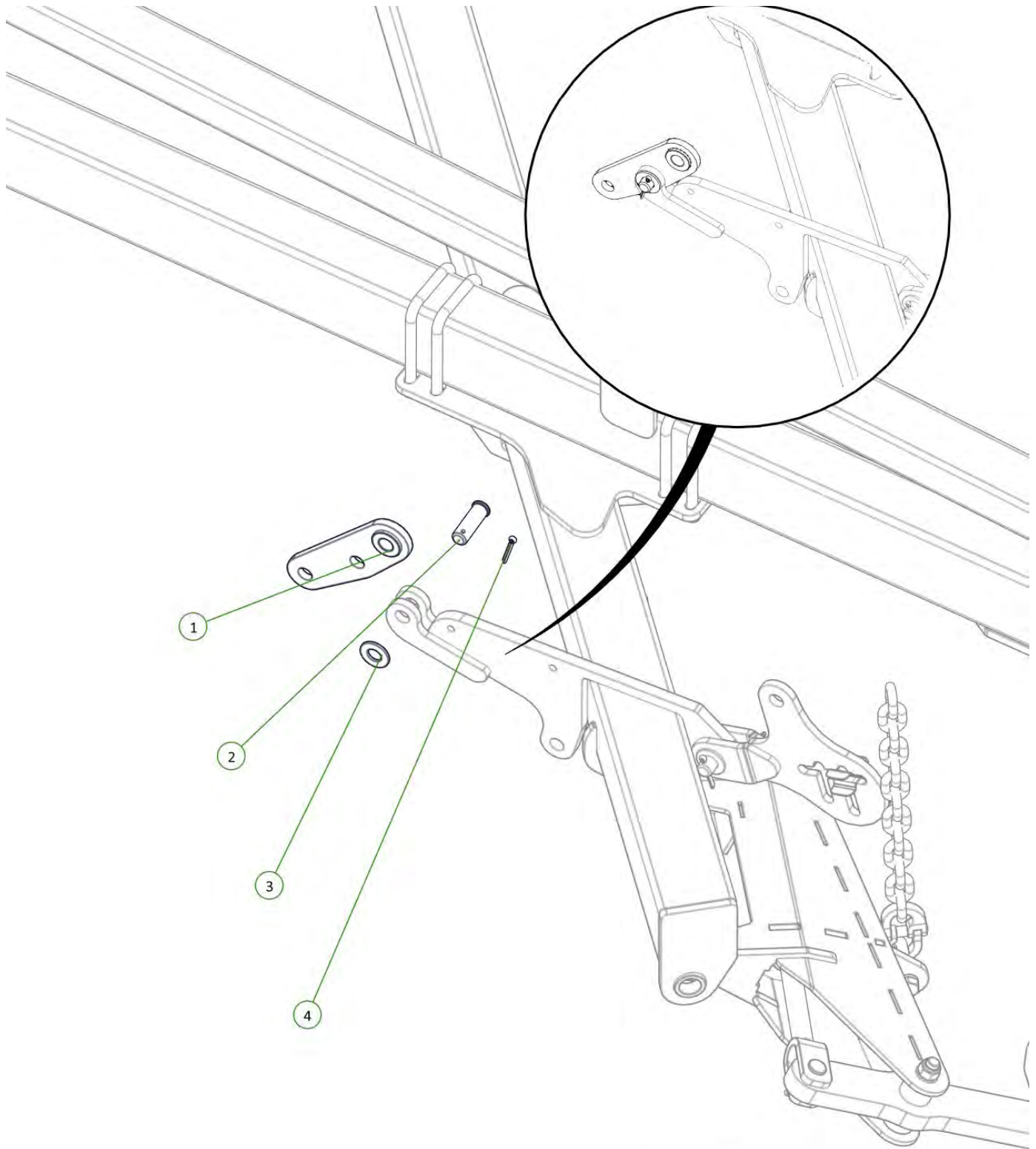
Item No.	Description	Number	Qty
1	3/4" JIC Male 3/4" UN O Ring Male 45° Elbow	0800-167.3	1
2	3/4" JIC Male 3/4" UN O Ring Male 90° Elbow	0211-1250	2
3	Nyloc Nut M12	0221-NYL12	2
4	Washer Flat M12	0231-F12	4





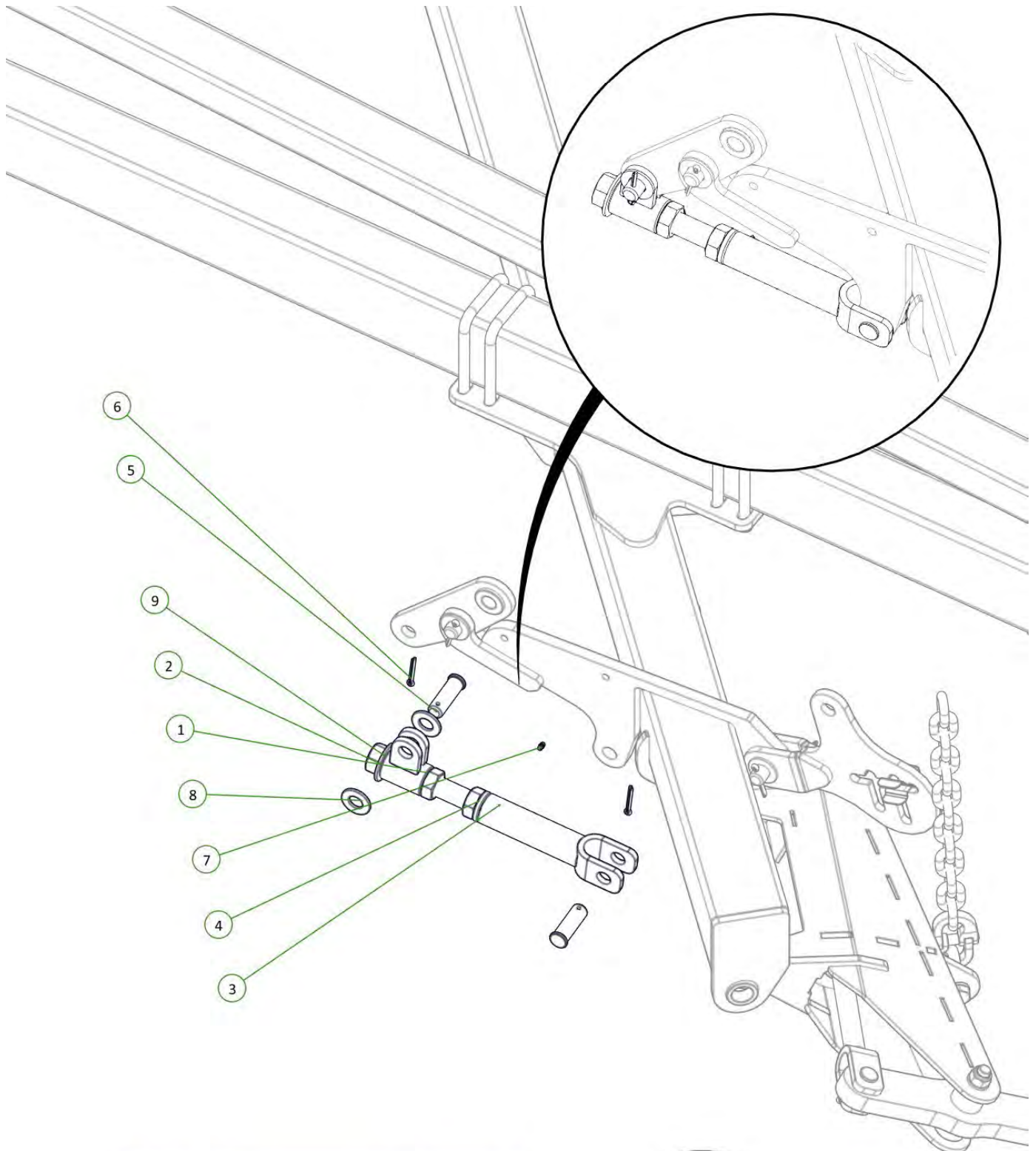
Item No.	Description	Number	Qty
1	Reduced Lift Arm	0810-84	1
2	Clevis Pin 25mm x 75mm	0801-KE0307-1	1
3	Washer Flat 1"	0231-F1	1
4	Cotter Pin M6 x 50mm	0261-PINC650	1
5	Height Adjustor Retaining Clip	0801-KE014	1





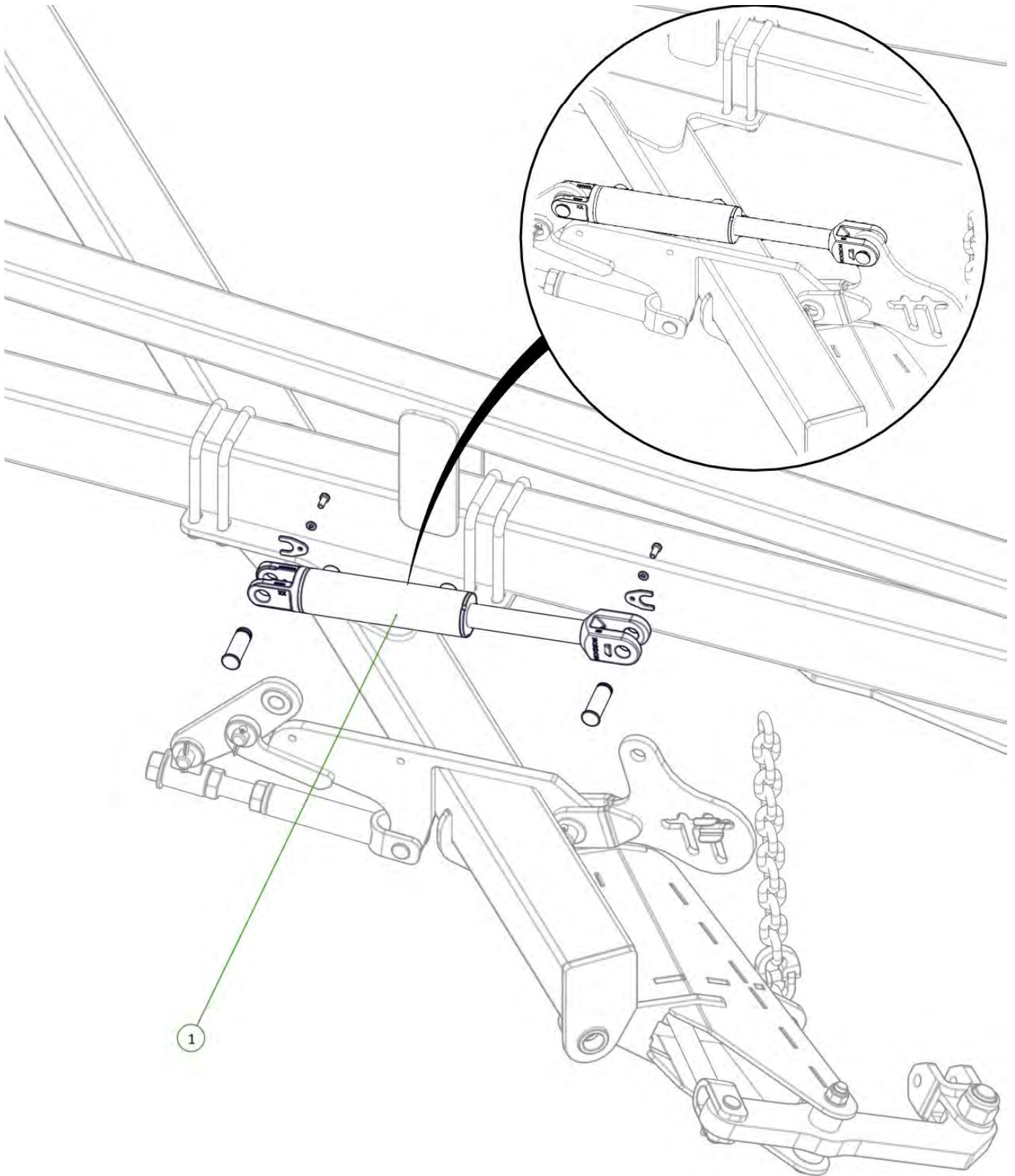
Item No.	Description	Number	Qty
1	0810-88-1	0810-88	1
2	0801-KE0307-1-3	0801-KE0307-1	1
3	0231-F-22	0231-F1	1
4	0261-PINC650-2	0261-PINC650	1



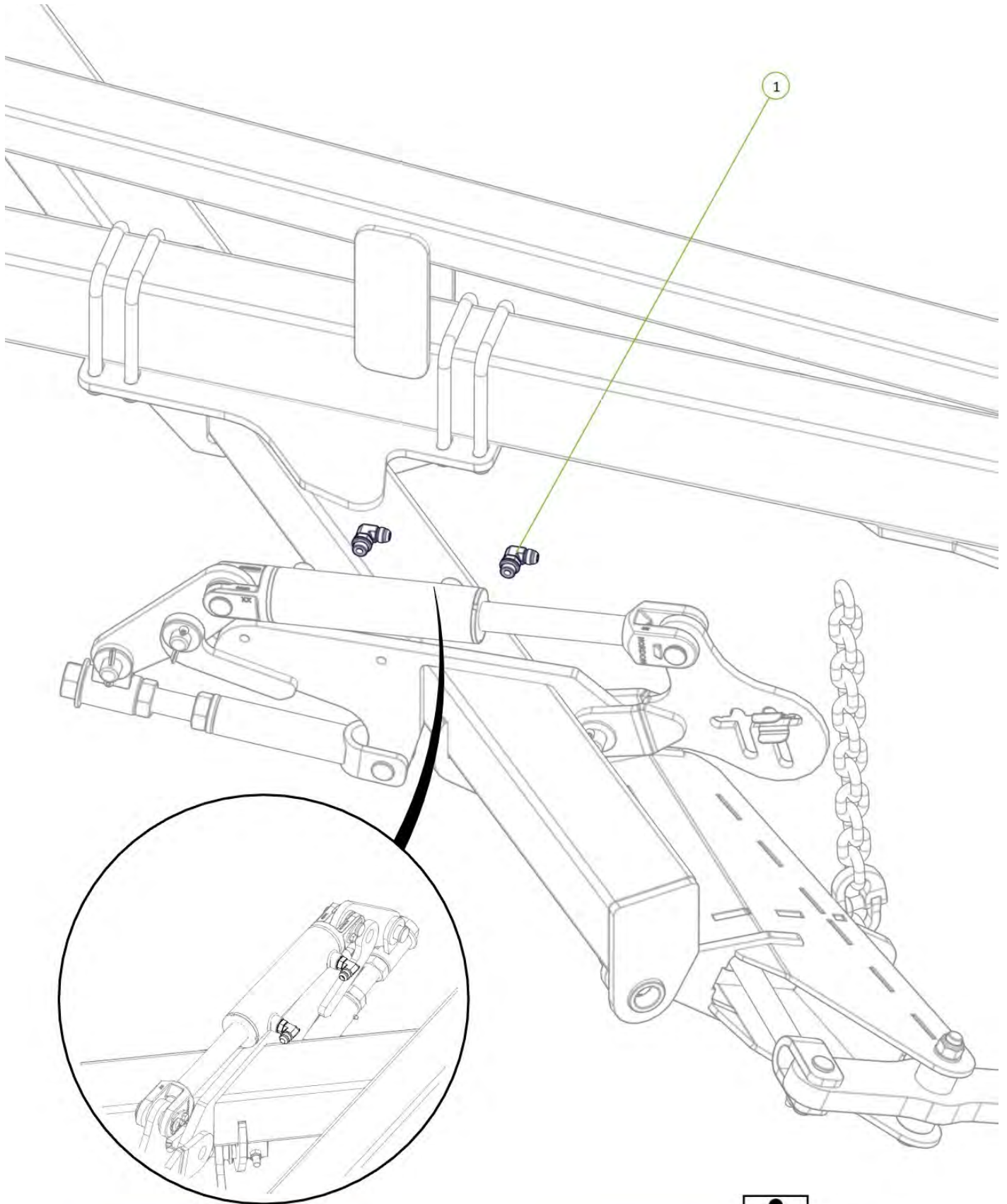


Item No.	Description	Number	Qty
1	Adjuster Mount	0810-161	1
2	Height Adjuster Rod Bolt	0810-163	1
3	Tension Adjuster Body	0810-164	1
4	ACME Lock Nut 1 1/4 - 5NA - 2G	0801-PCHTA-5N	2
5	Clevis Pin 25mm x 75mm	0801-KE0307-1	2
6	Cotter Pin M6 x 50mm	0261-PINC650	2
7	Grease Nipple 1/4" UNF	0181-GN1-4	1
8	Washer Flat 1"	0231-F1	2
9	Washer High Tensile 1 1/4"	0232-HT11-4	1





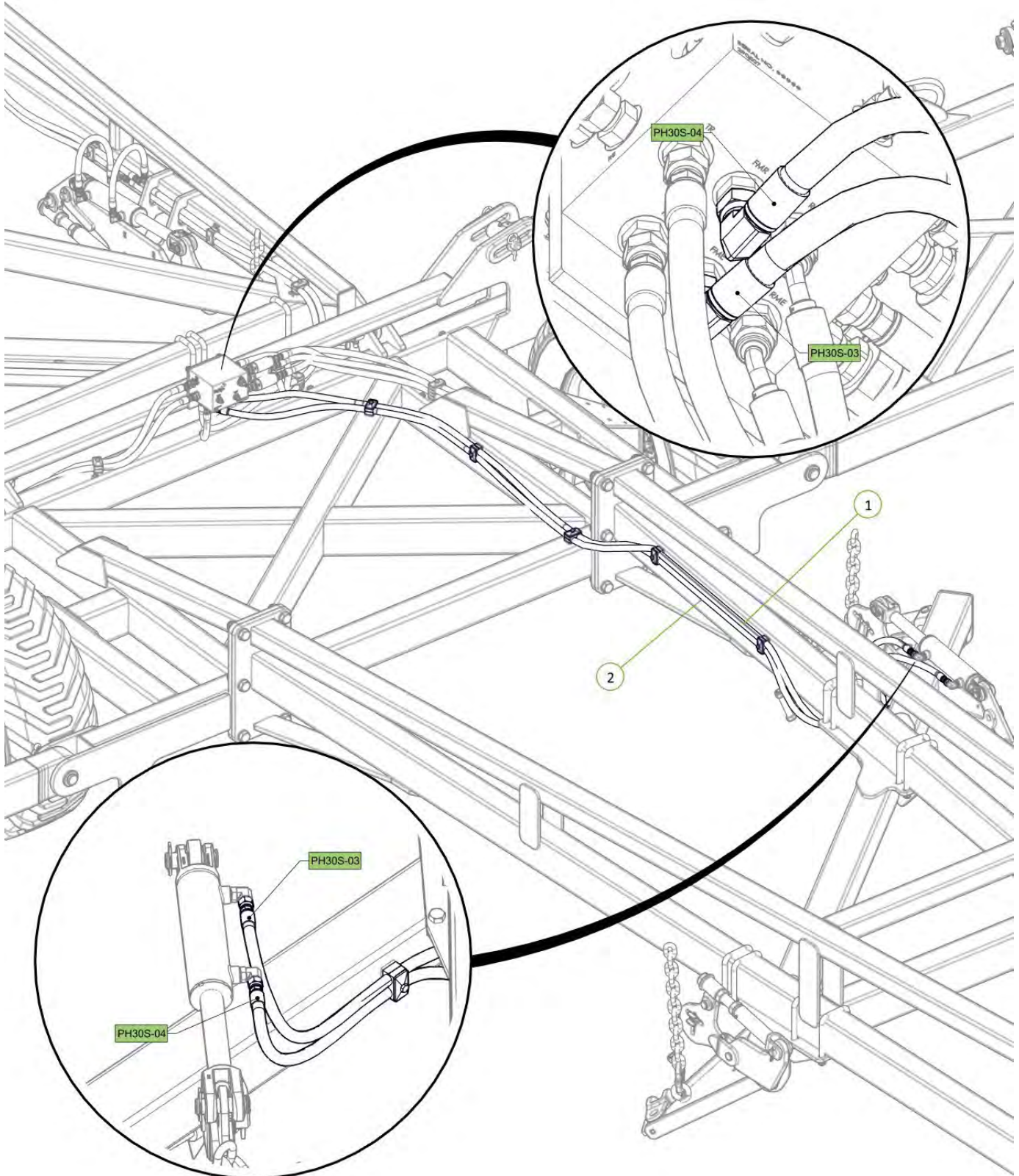
Item No.	Description	Number	Qty
1	2.5" Bore x 6" Stroke 1.5" Rod Side Port Cylinder	0311-256SP	1



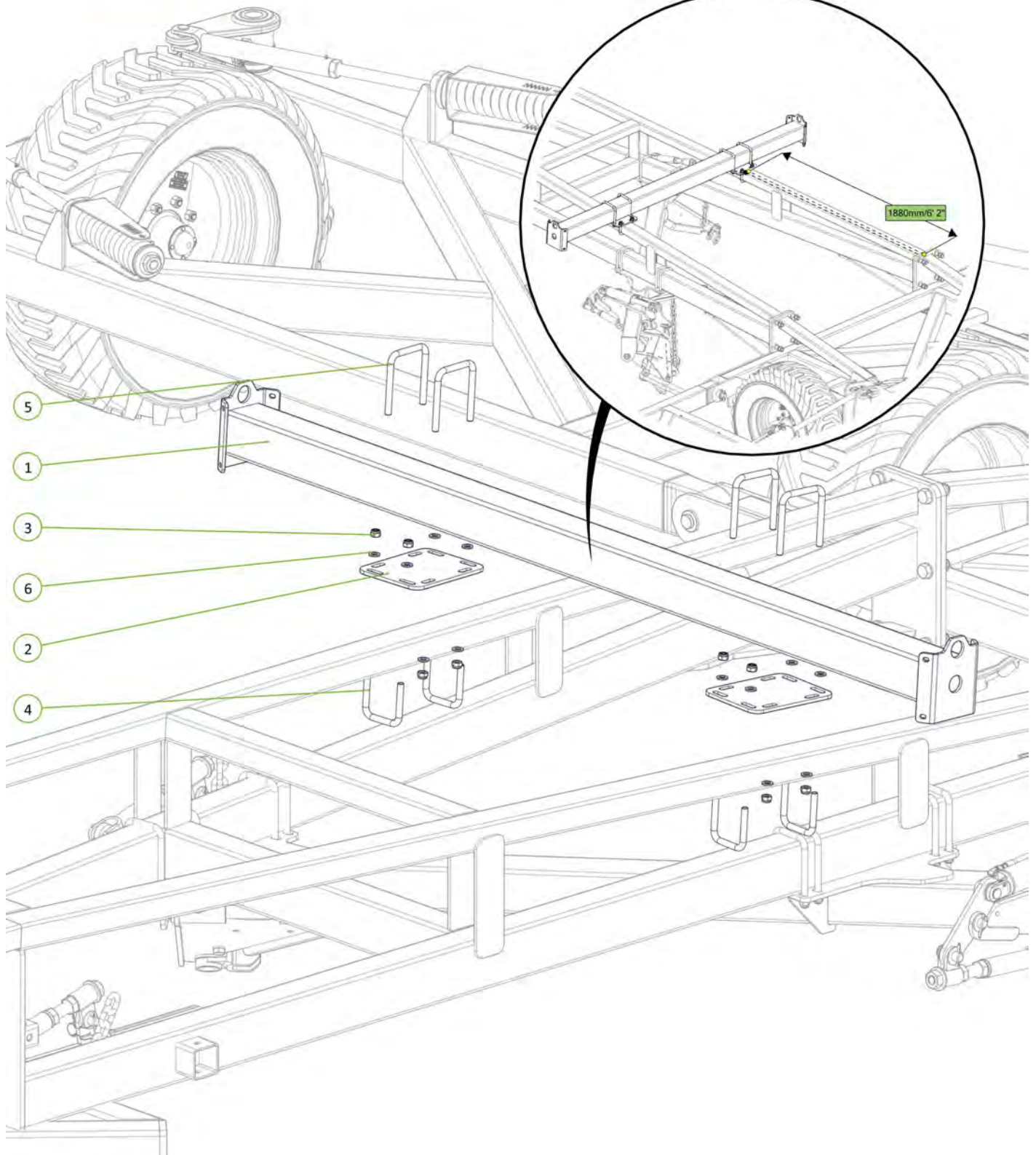
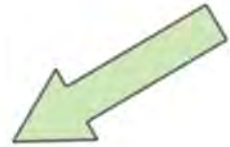
Item No.	Description	Number	Qty
1	3/4" JIC Male 3/4" UN O Ring Male 45° Elbow	0323-S91-1212	2



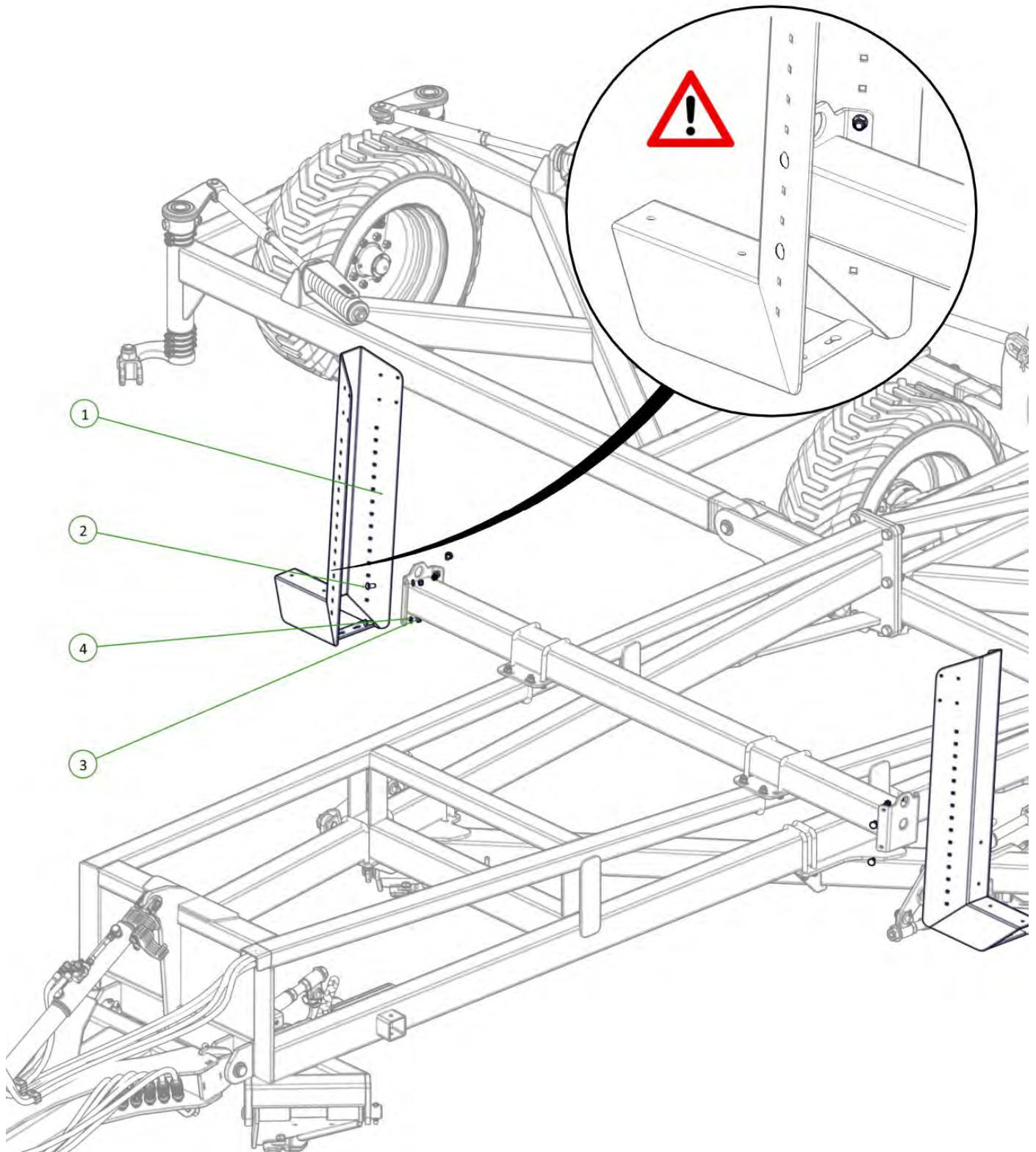
Item No.	Description	Number	Qty
1	Front Module EXT Port to Valve FME Port	PH30S-03	1
2	Front Module Rod Port to Valve FMR Port	PH30S-04	1



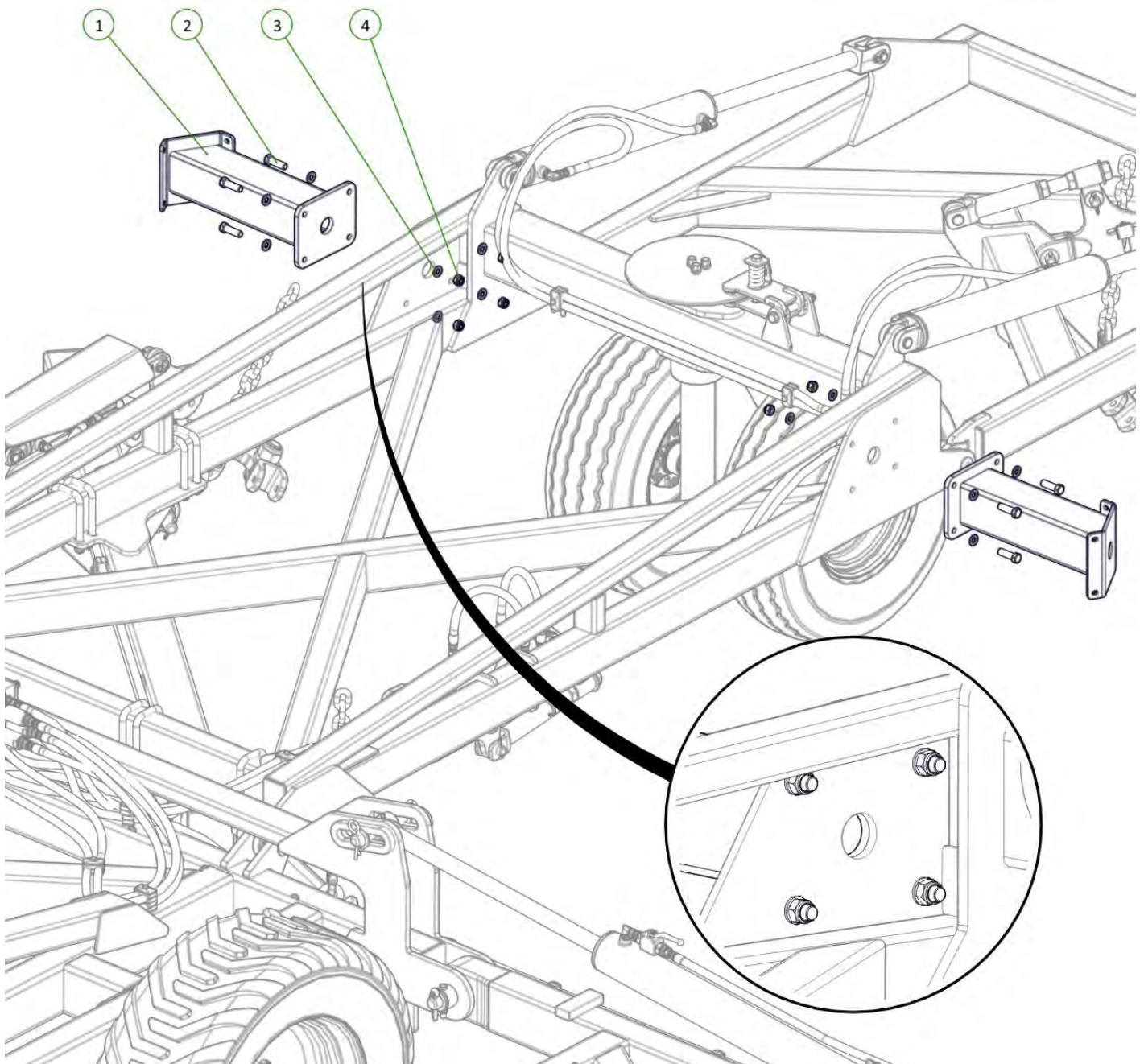
Item No.	Description	Number	Qty
1	30 Chain Carrier Beam	0810-17-30	1
2	Chain Carrier Mount Plate	0800-139.1	2
3	Nyloc Nut M16	0221-NYL16	16
4	U-Bolt M16 x 114 Deep x 106 Wide	0271-16114106U	4
5	U-Bolt M16 x 162 Deep x 129 Wide	0271-16162129U	4
6	Washer Flat M16	0231-F16	16



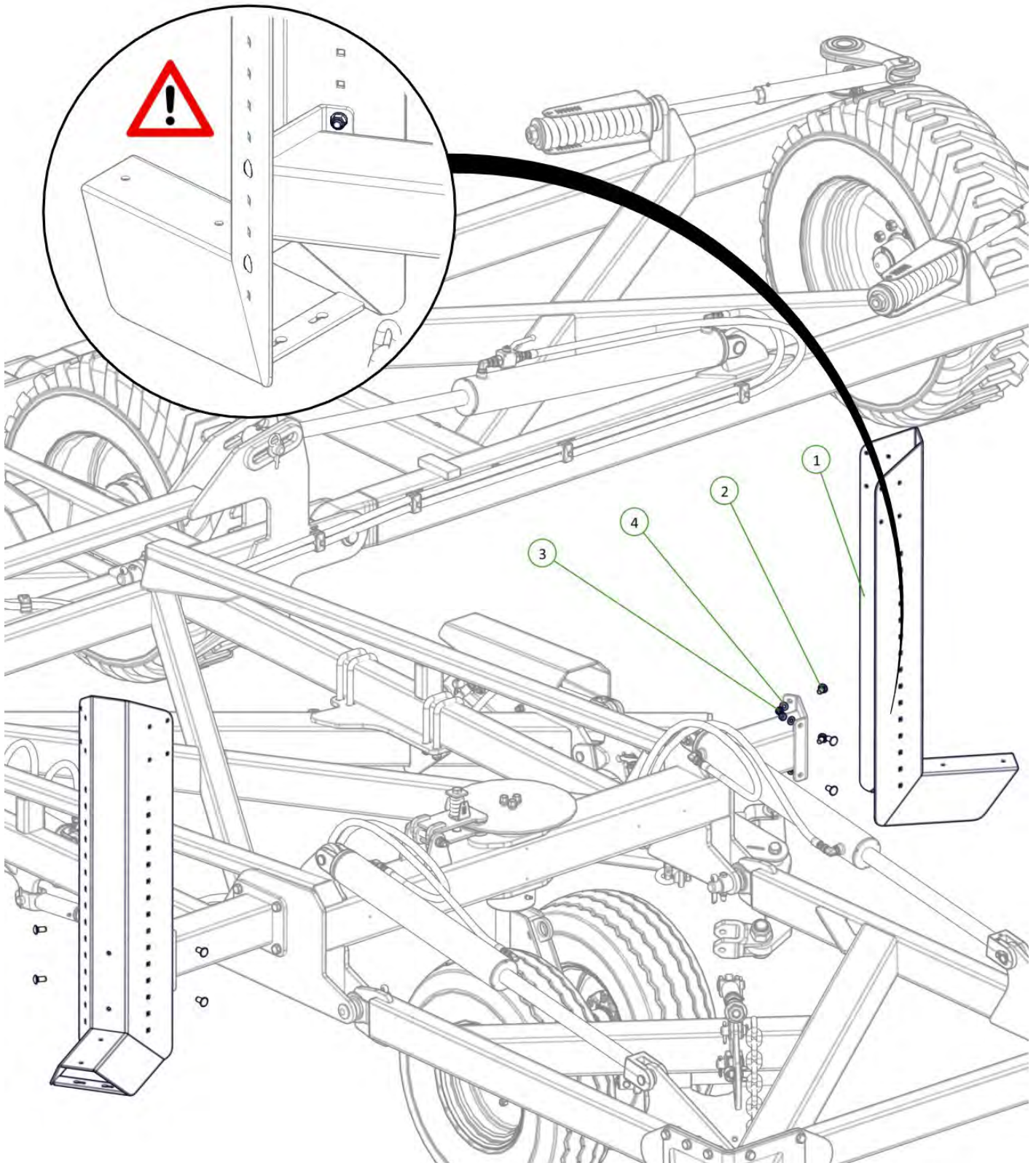
Item No.	Description	Number	Qty
1	Extended Chain Carrier Bolt on End	0810-17LE	2
2	M12 x 30 Coach Head Bolt	0215-CH1230	8
3	Nyloc Nut M12	0221-NYL12	8
4	Washer Flat M12	0231-F12	8



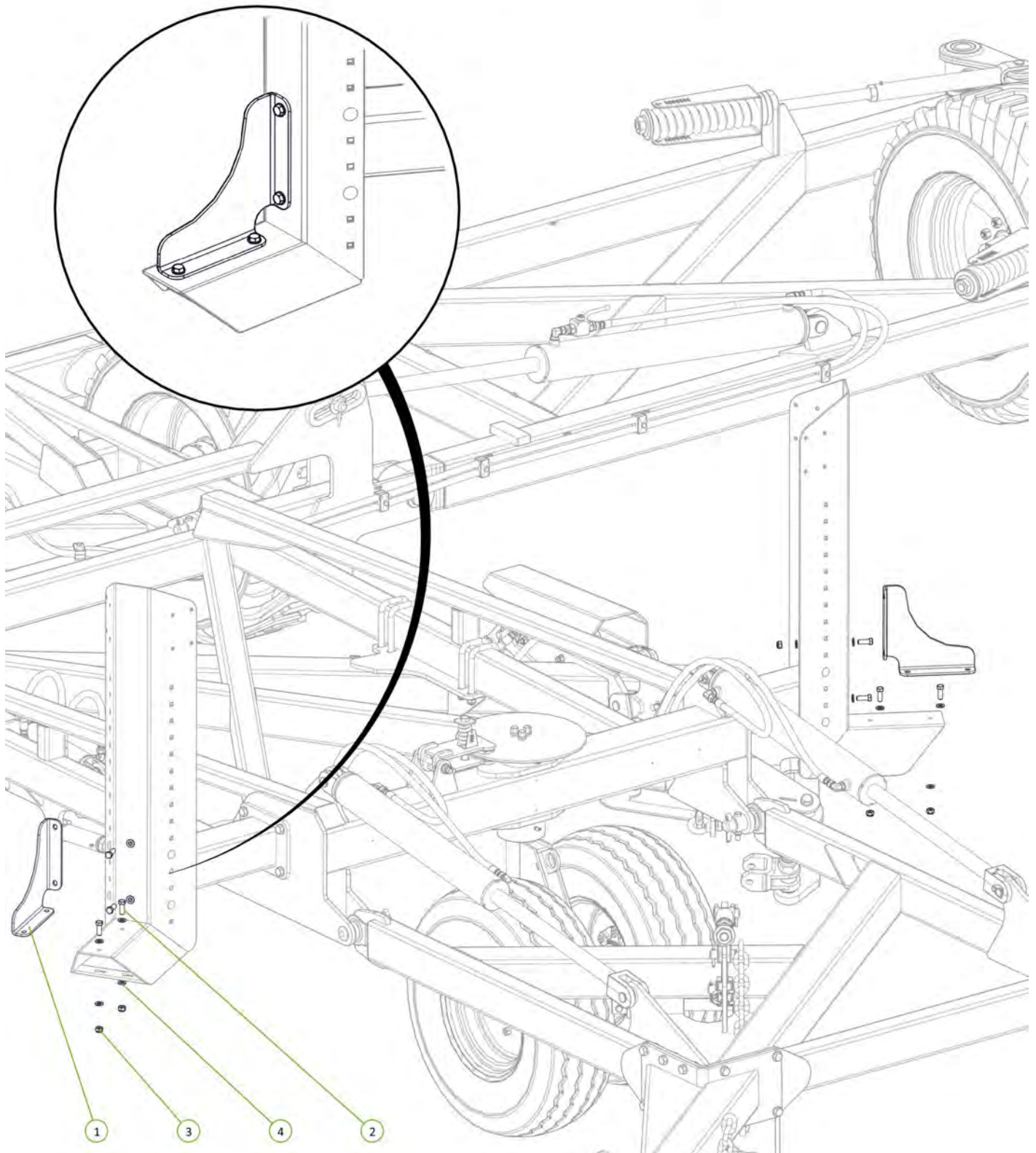
Item No.	Description	Number	Qty
1	30' & 40' Outrigger	0810-40	2
2	M16 x 55 grade 8.8 zp Bolt	0211-1655	8
3	Washer Flat M16	0231-F16	16
4	Nyloc Nut M16	0221-NYL16	8



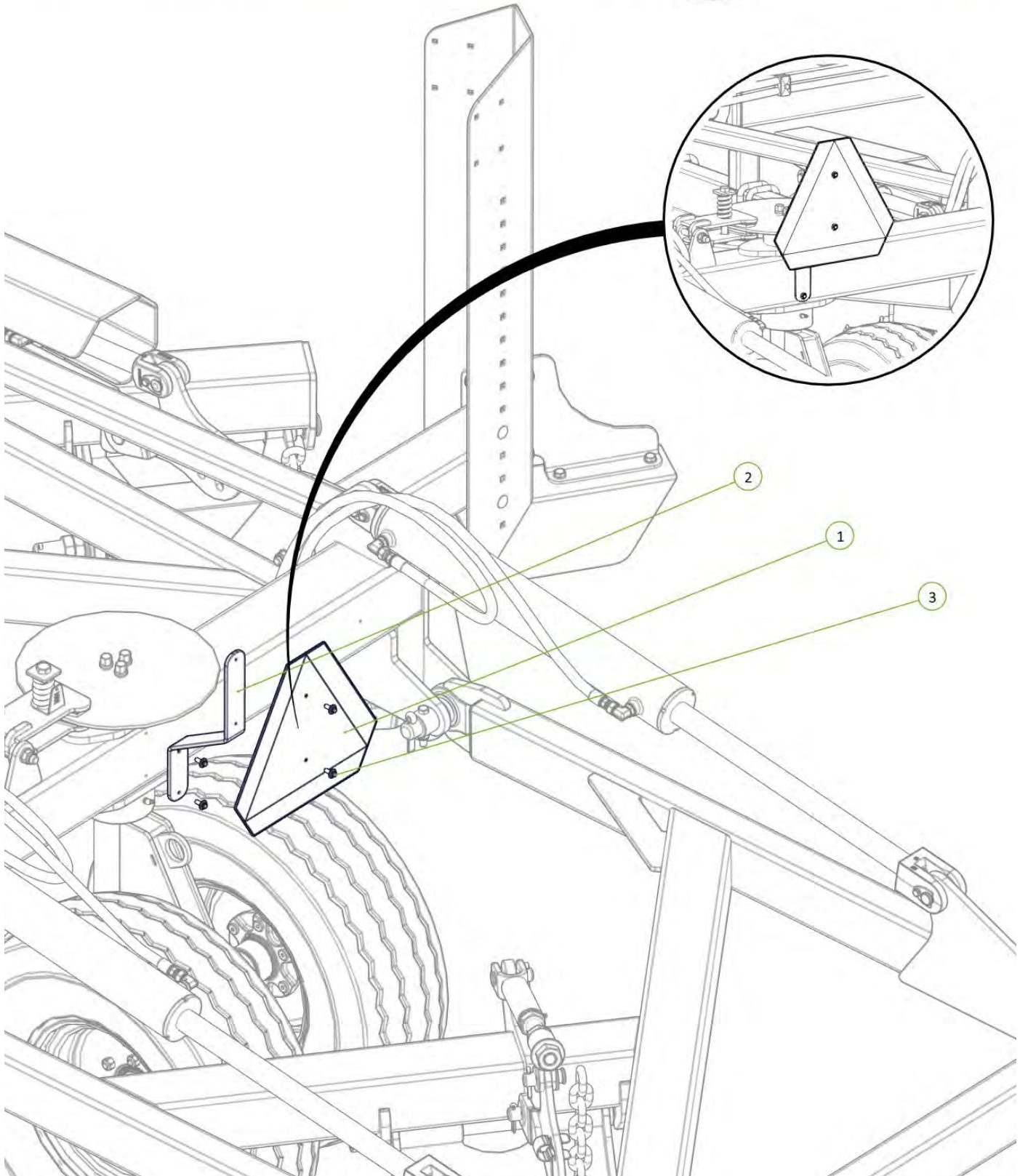
Item No.	Description	Number	Qty
1	30' & 40' Outrigger	0810-17LE	2
2	M12 x 30 Coach Head Bolt	0215-CH1230	8
3	Washer Flat M16	0221-NYL12	8
4	Nyloc Nut M16	0231-F12	8

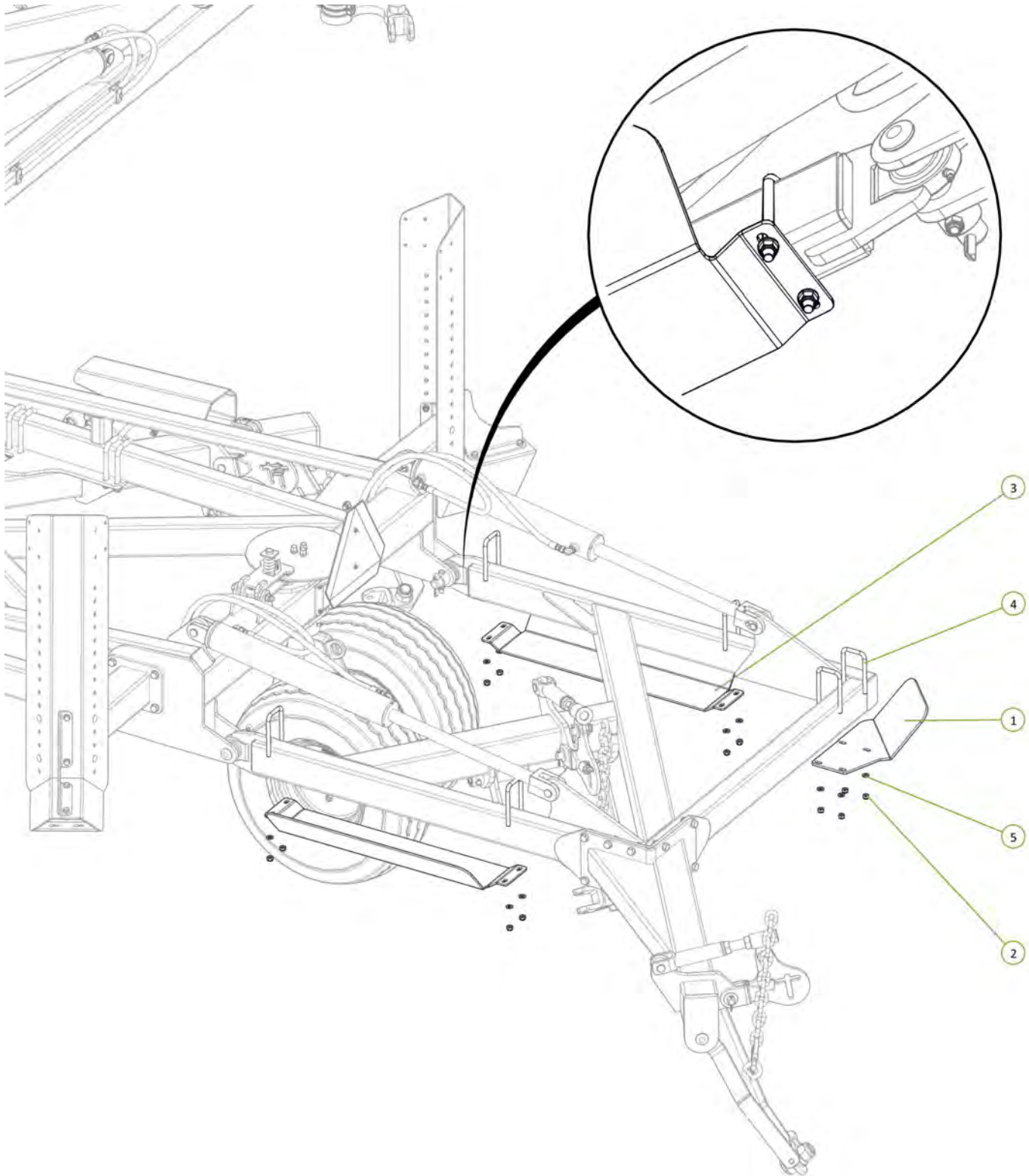


Item No.	Description	Number	Qty
1	30' Chain Retainer Plate	0800-360	2
2	M12 x 35 Class 8.8 ZP Bolt	0211-1235	8
3	Nyloc Nut M12	0221-NYL12	8
4	Washer Flat M12	0231-F12	16



Item No.	Description	Number	Qty
1	Slow Moving Vehical Sign	0801-FBSMVTUF	1
2	SMV Sign Bracket	0800-195.1	1
3	M6 x 20mm Trilobe Screw	0211-M620MZPHTF	4

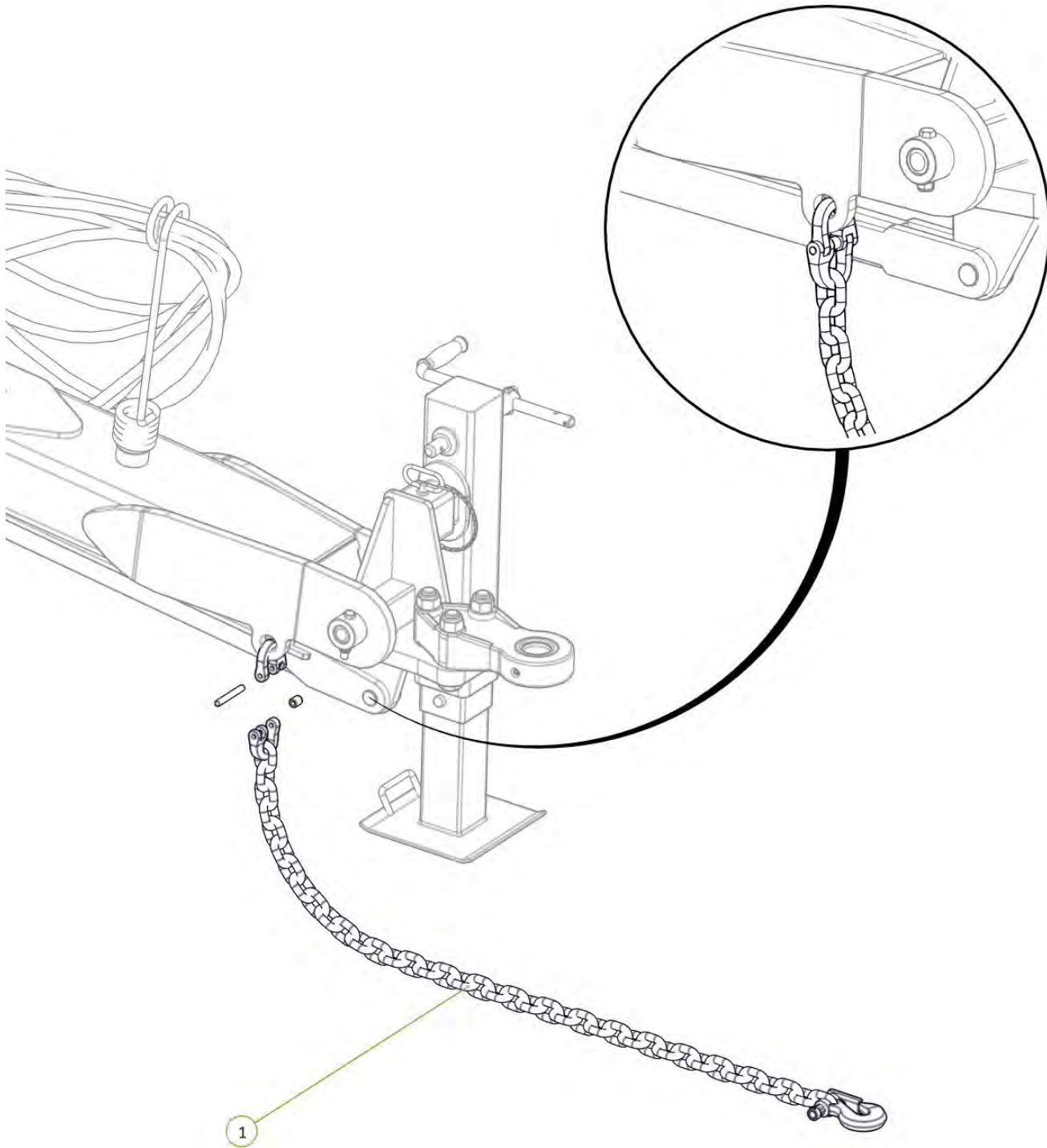




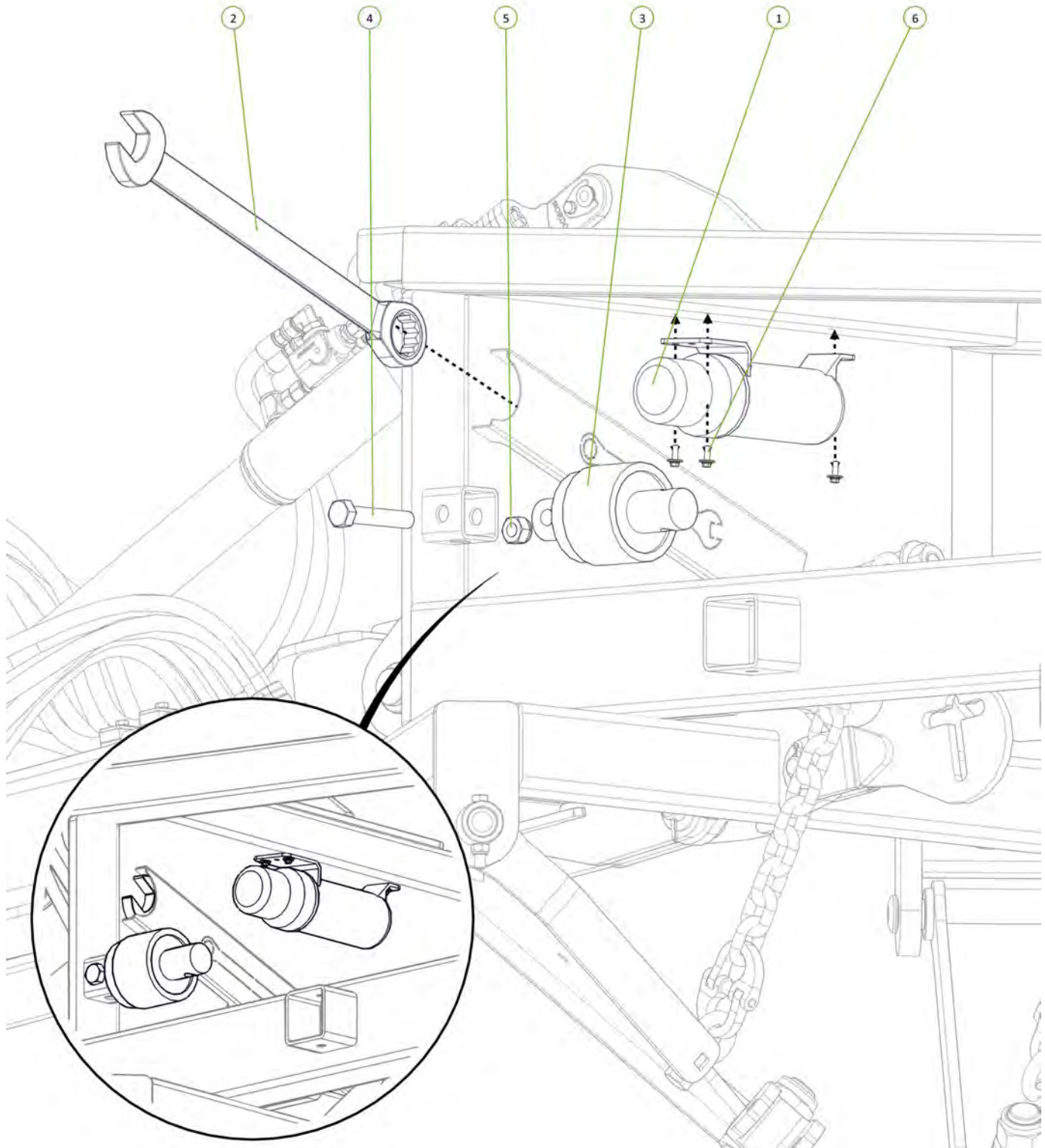
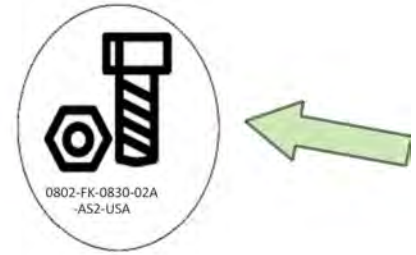
Item No.	Description	Number	Qty
1	Angled Chain Gaurd	0800-498	1
2	Nyloc Nut M12	0221-NYL12	12
3	Rear Tail Guard	0800-235	2
4	U-Bolt M12 157 Deep x 79 Wide	0271-1215779U	6
5	Washer Flat M12	0231-F12	12



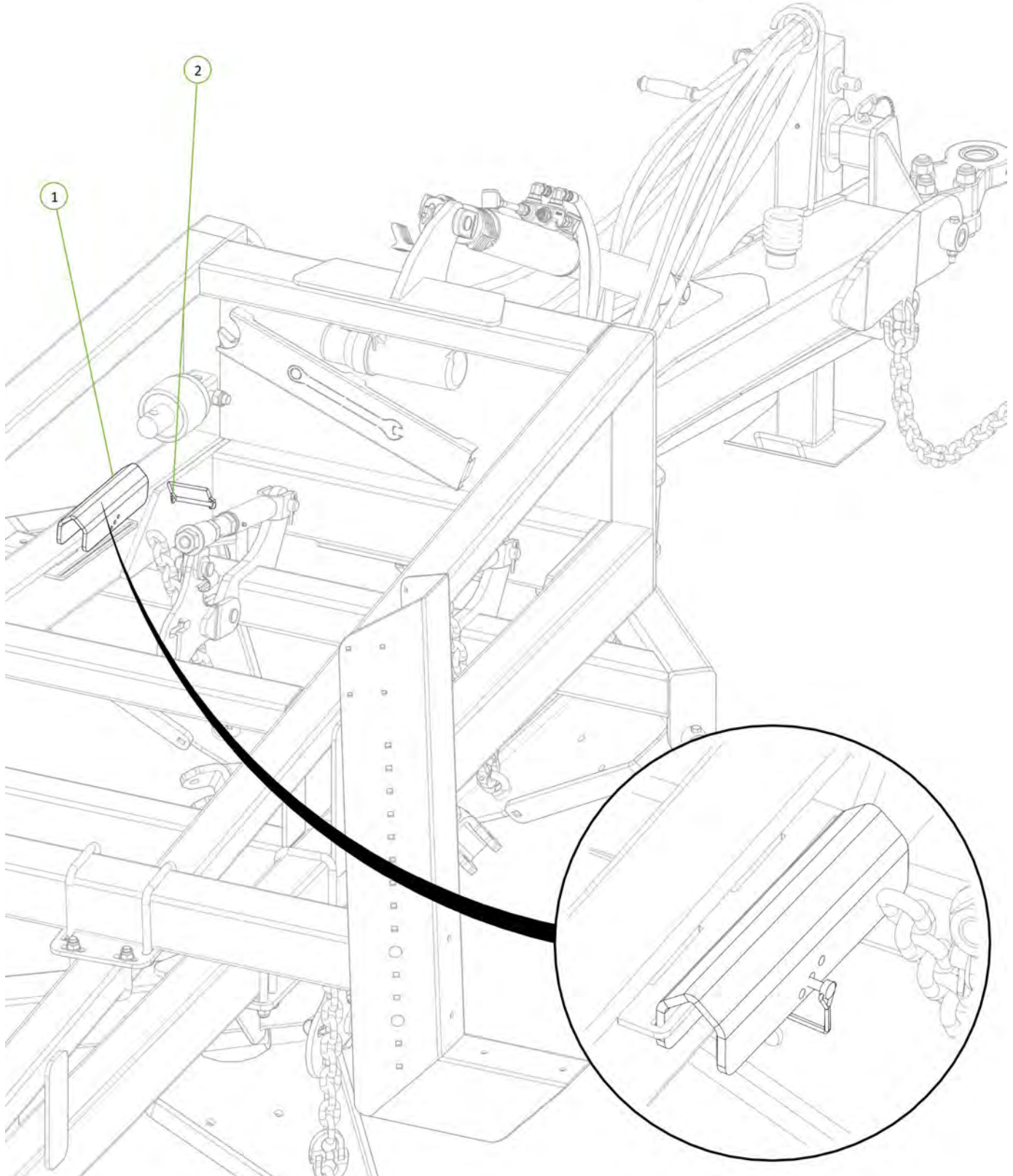
Item No.	Description	Number	Qty
1	Safety Chain Assembly	0810-16	1

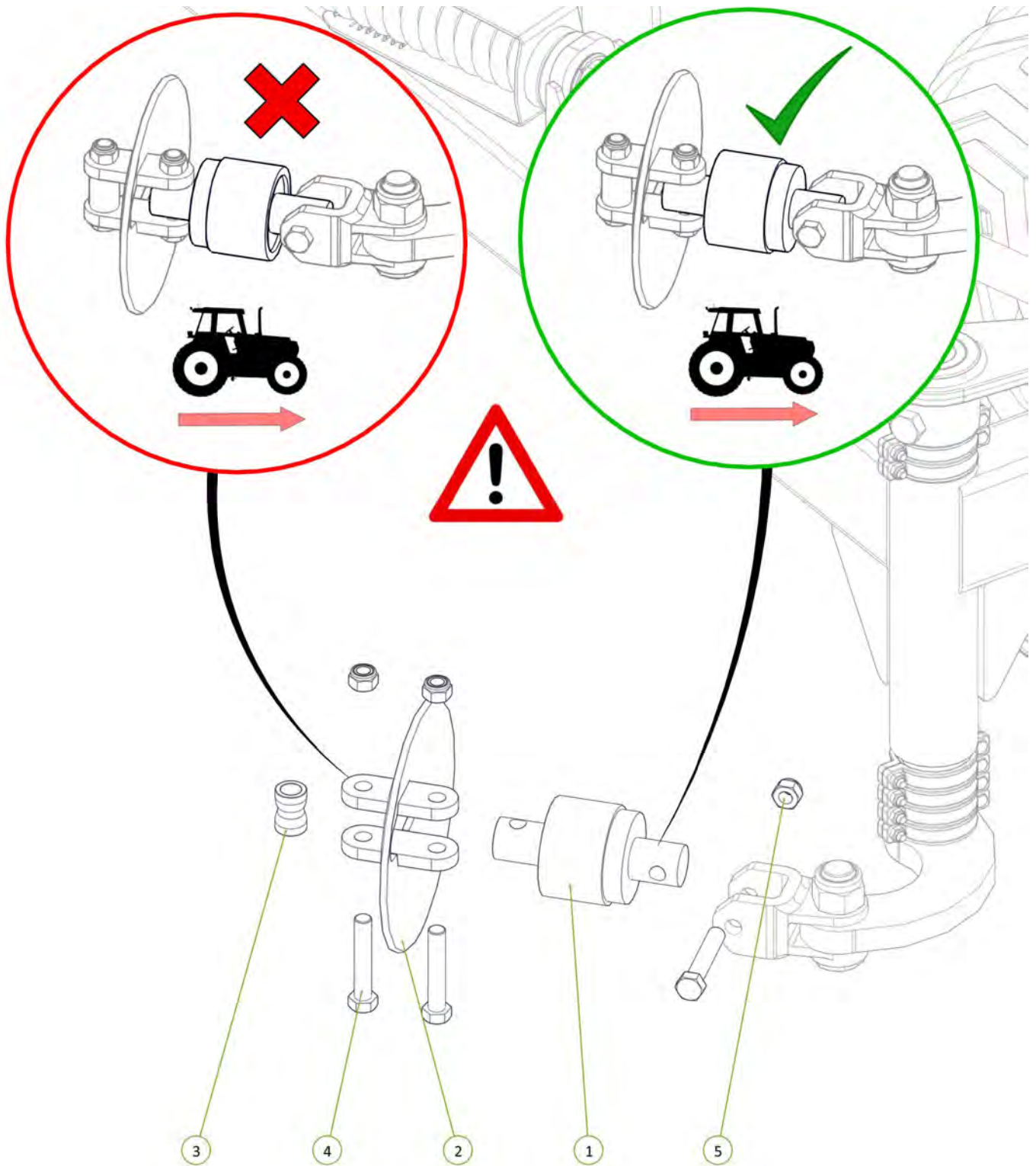


Item No.	Description	Number	Qty
1	Operator Manual Cannister	0801-OMC-1	1
2	Ratcheting Gear Wrench 1 3/4"	0802-GW1 3-4	1
3	20mm Bolt Swivel Unit	0802-PCHB55	1
4	M20 x 110 Class 10.9 ZP Short Thread Bolt	0211-20110ST	1
5	Nyloc Nut M20	0221-NYL20	1
6	M6 x 20mm Trilobe Screw	0211-M620MZPHTF	3

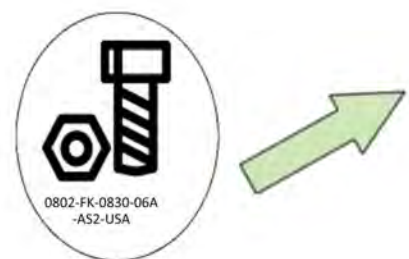


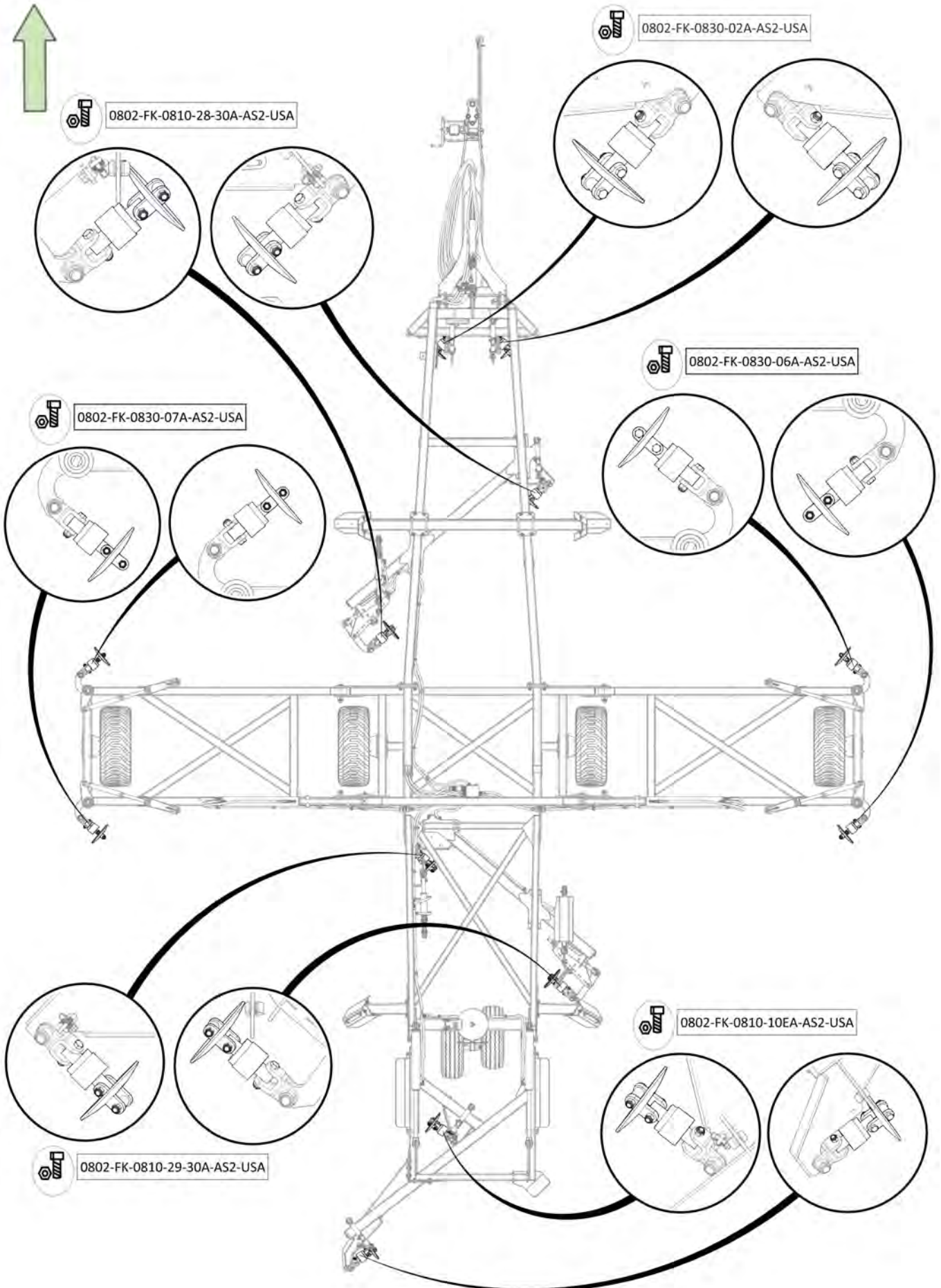
Item No.	Description	Number	Qty
1	Cylinder Safety Stop	0800-688	1
2	Square Loop Pin 5/16" x 3 1/2"	0511-PINLOOPSQ516x312	1

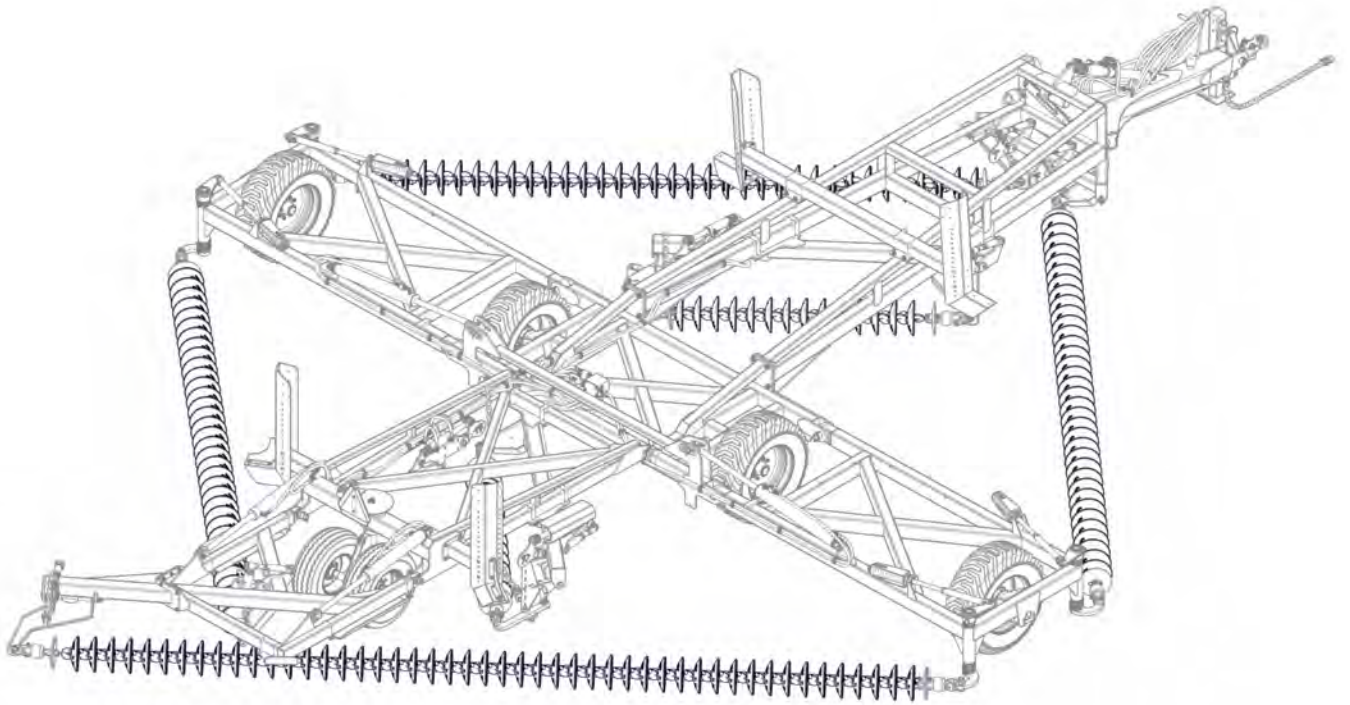




Item No.	Description	Number	Qty
1	20mm Bolt Swivel Unit	0802-PCHB55	1
2	Disc Chain Tie Plate Link 20mm	0802-DCTP-20	1
3	Disc Chain Spacer	0801-253755	1
4	M20 x 110 grade 10.9 ZP Short Thread Bolt	0211-20110ST	3
5	Nyloc Nut M20	0221-NYL20	3









Section 3 - Decal Application

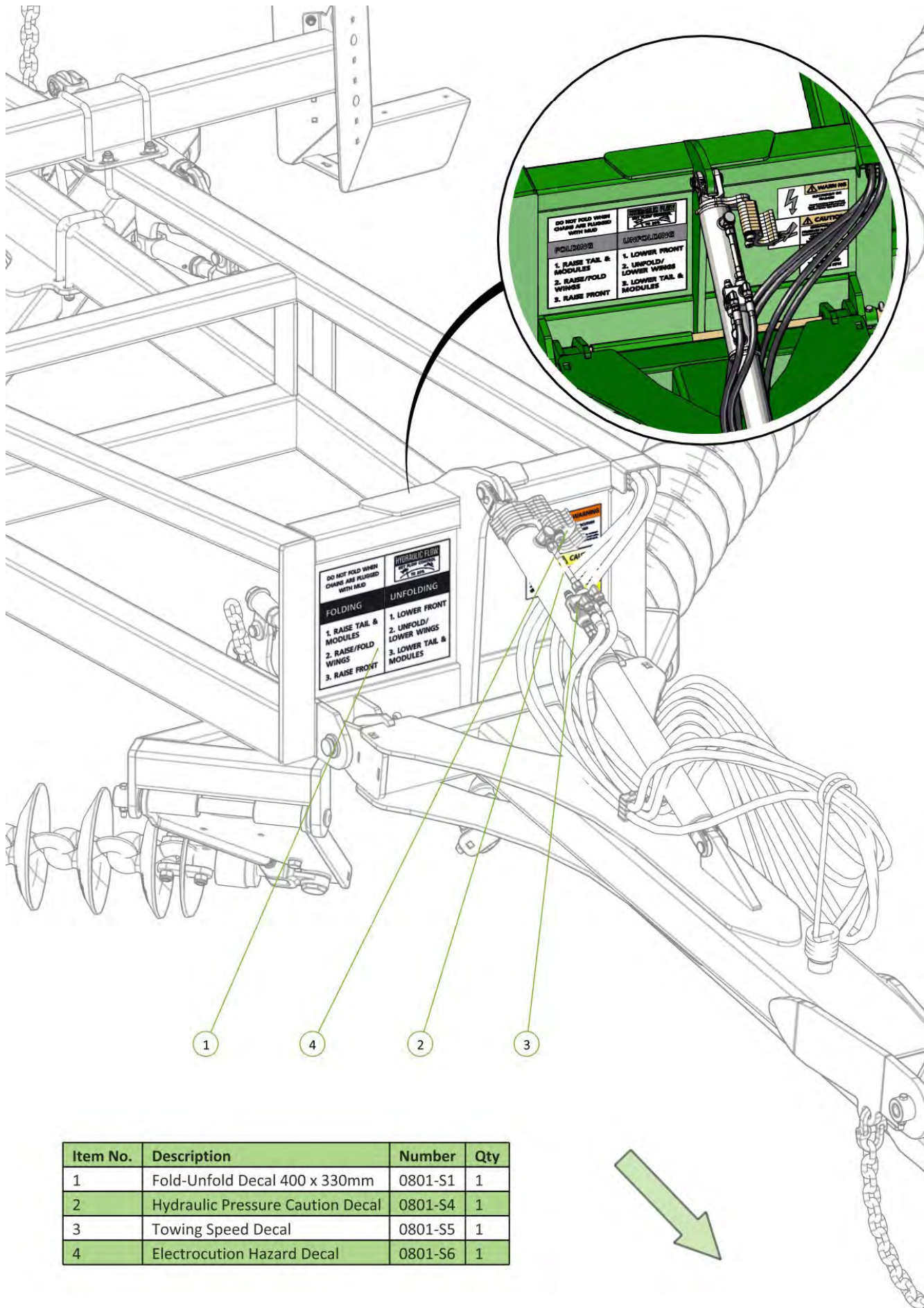
1. **CLEAN**
Wipe application surface and allow to fully dry. Ensure the area is free from dirt and contaminants.
2. **PEEL BACKING**
Carefully peel away paper backing.
3. **ALIGN AND PRESS**
Align the decal and carefully place it on surface.
4. **SMOOTH**
Use a squeegee to smooth design over surface, from top to bottom and to push out all remaining air. Ensure full coverage with no bubbles.

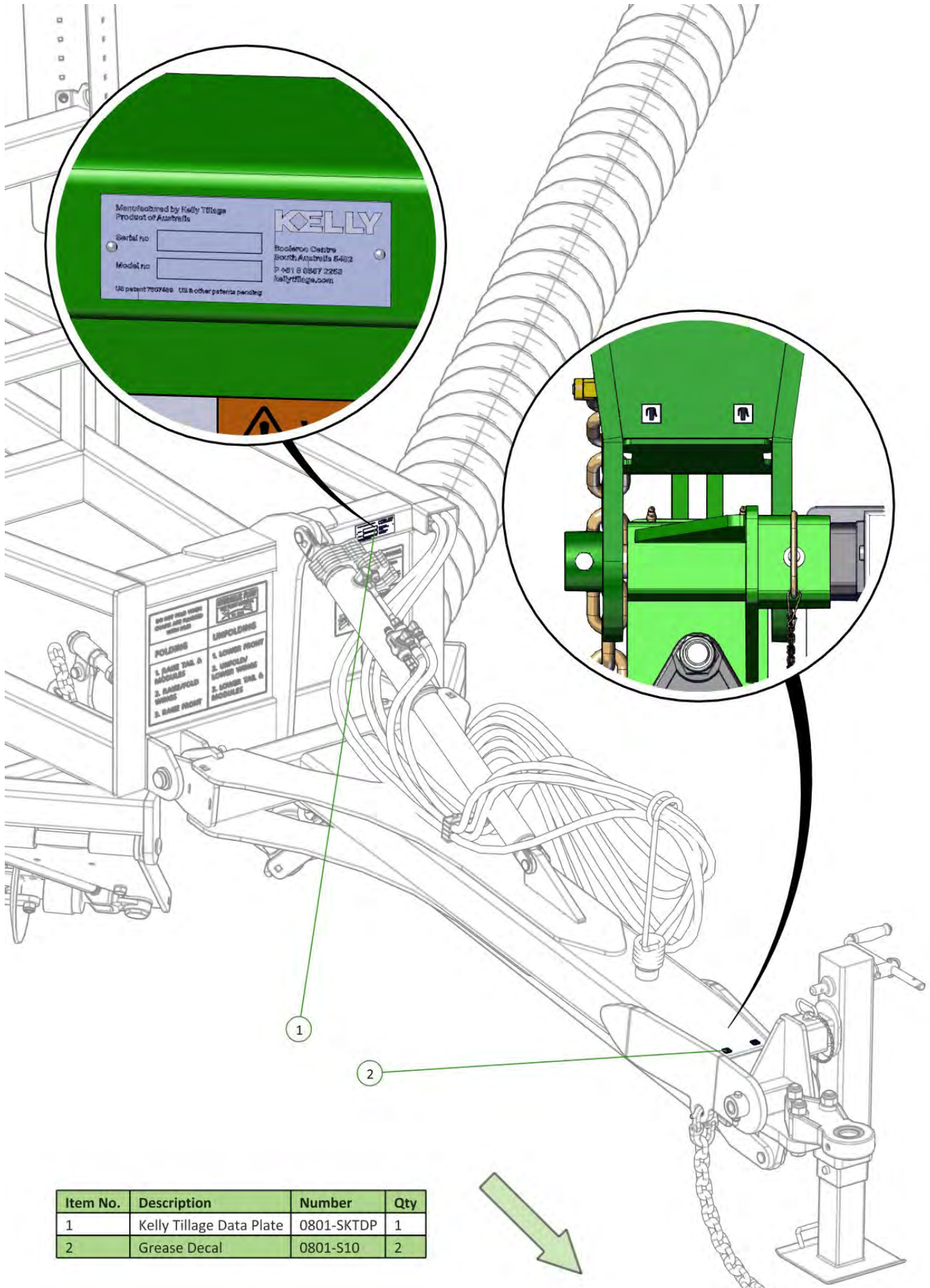
For the Kelly 3009 Decal follow this instructions below:

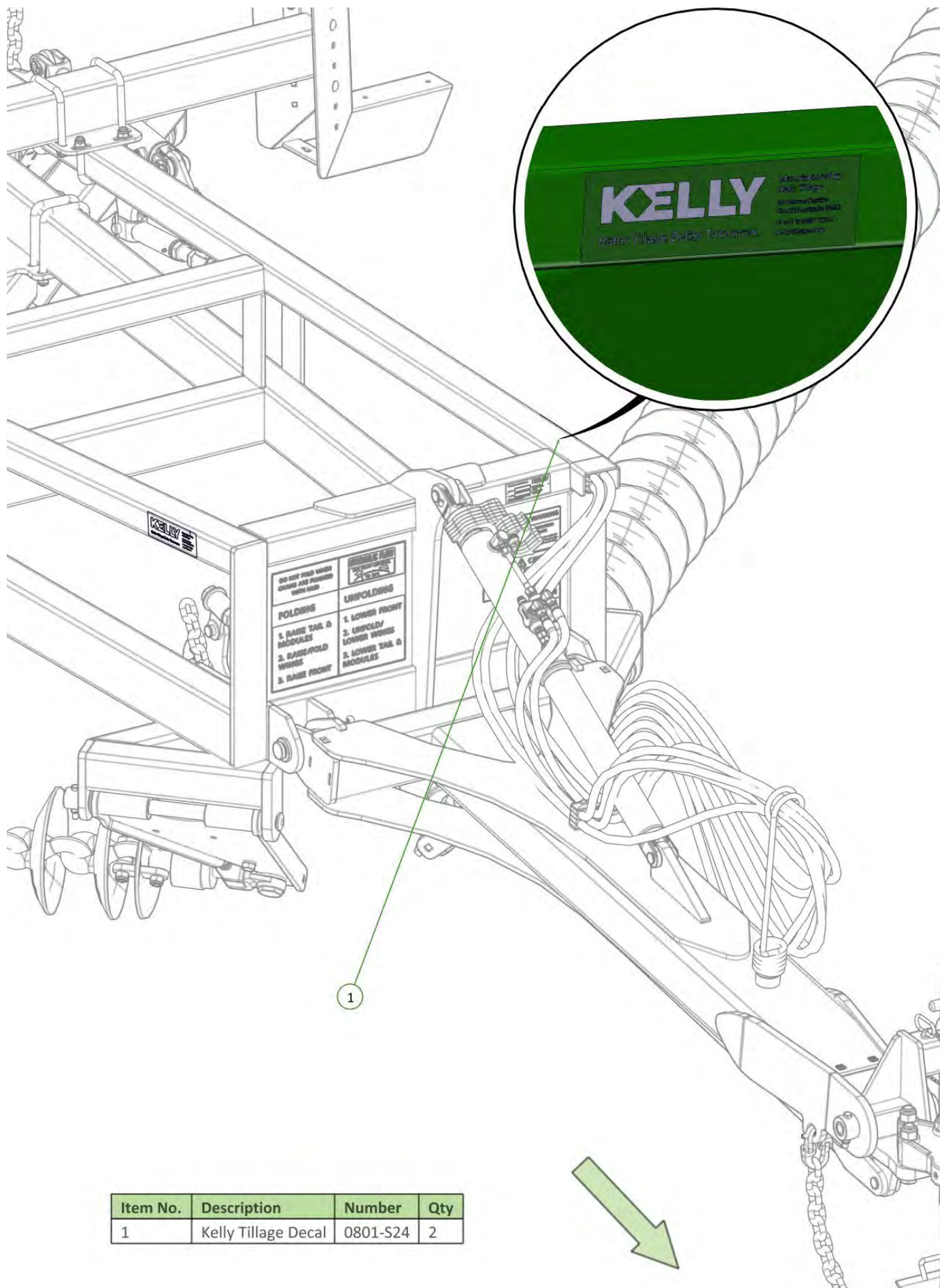
1. **CLEAN**
Wipe application surface and allow to fully dry. Ensure the area is free from dirt, and contaminants.
2. **PEEL BACKING**
Carefully peel away paper backing, ensuring vinyl sticks entirely to tape.
3. **ALIGN AND PRESS**
Align the decal and carefully place it on surface.
4. **SMOOTH**
Use a squeegee to smooth design over surface, from top to bottom and to push out all remaining air. Ensure full coverage with no bubbles.
5. **REMOVE TRANSFER TAPE**
Carefully peel away the transfer tape, beginning at the corner until completely removed. Finally, allow decal to cure for 24 hours before washing.

For the Fold/Unfold Decal (0801-S1), follow this instructions below:

1. **CLEAN**
Wipe application surface and allow to fully dry. Ensure the area is free from dirt and contaminants.
2. **APPLY SOLUTION**
Using detergent wet the surface where you'll be applying the decal so you can slide it around.
3. **PEEL BACKING**
Carefully peel away paper backing.
4. **ALIGN AND PRESS**
Align the decal and carefully place it on surface.
5. **SMOOTH**
Use a squeegee to smooth design over surface, from center to corners and to push out all remaining air. Ensure full coverage with no bubbles.







DO NOT FEED WHEN
COVERS ARE CLOSED
WITH HAY

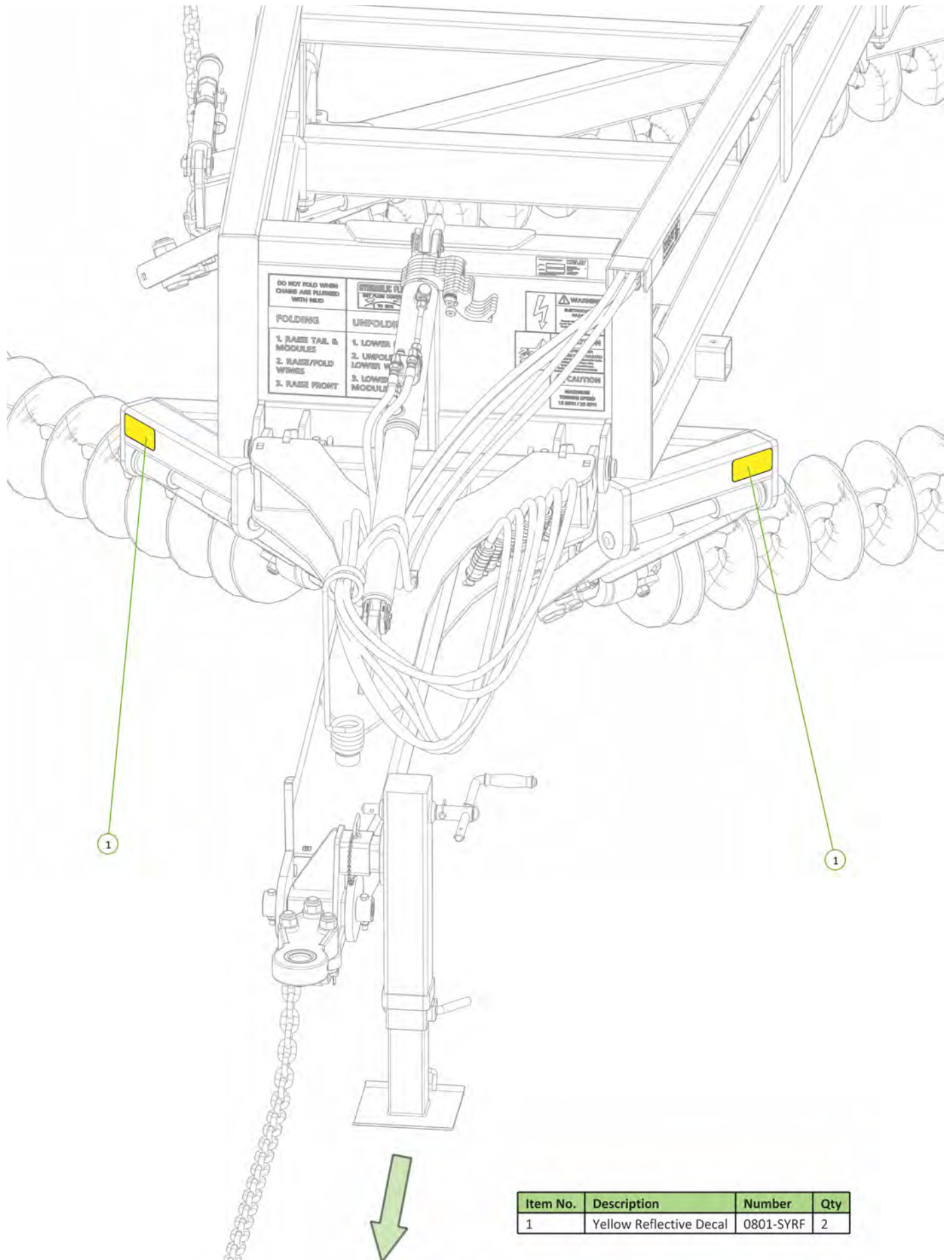
POLDING

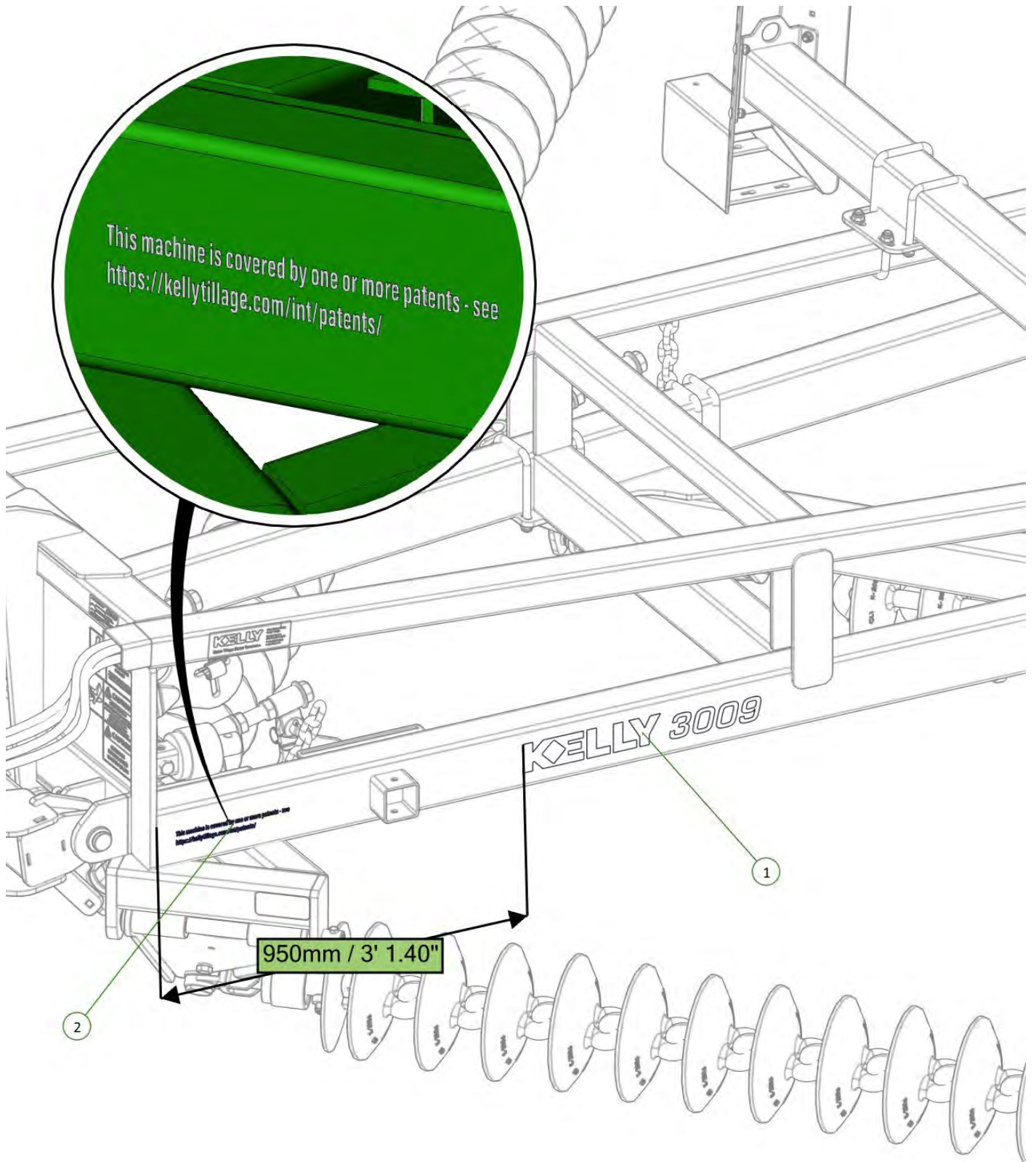
1. RAISE TAIL &
MODULES
2. RAISE/FOLD
WINGS
3. RAISE FRONT

UNFOLDING

1. LOWER FRONT
2. UNFOLD/
LOWER WINGS
3. LOWER TAIL &
MODULES

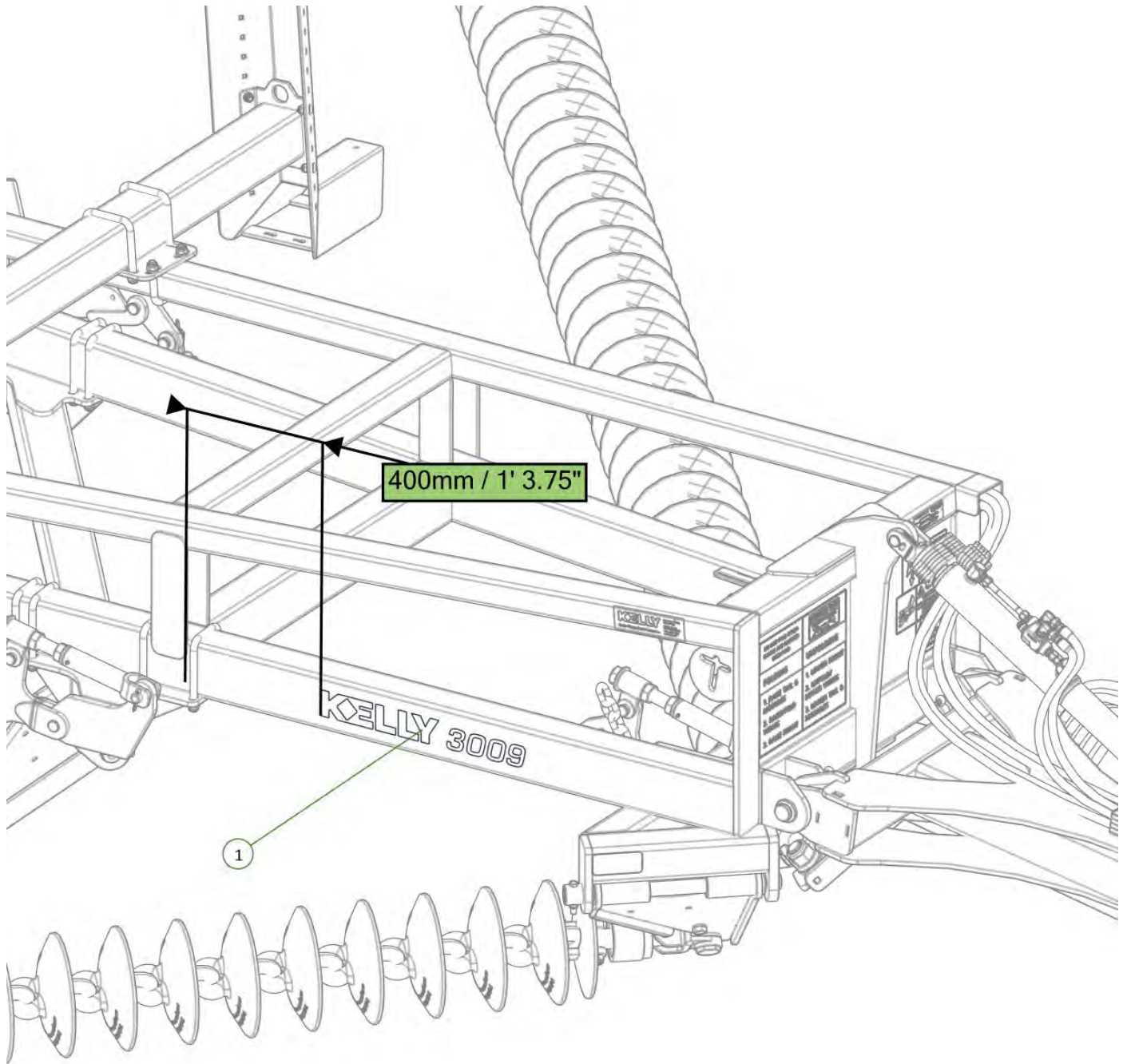
Item No.	Description	Number	Qty
1	Kelly Tillage Decal	0801-S24	2





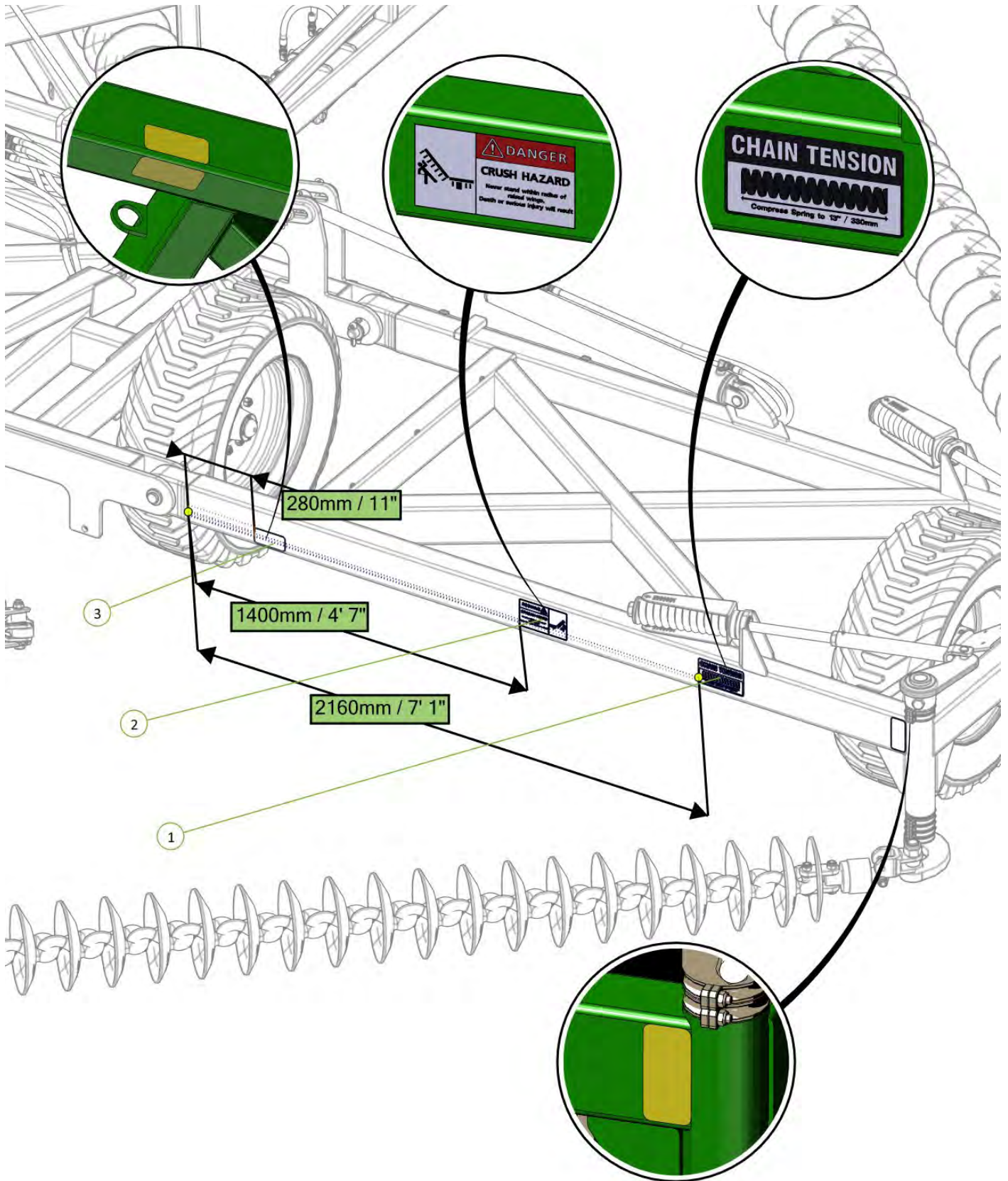
Item No.	Description	Number	Qty
1	Kelly Tillage 3009 Decal	0801-SKT3009	1
2	Universal Patent Decal	0801-S26	1





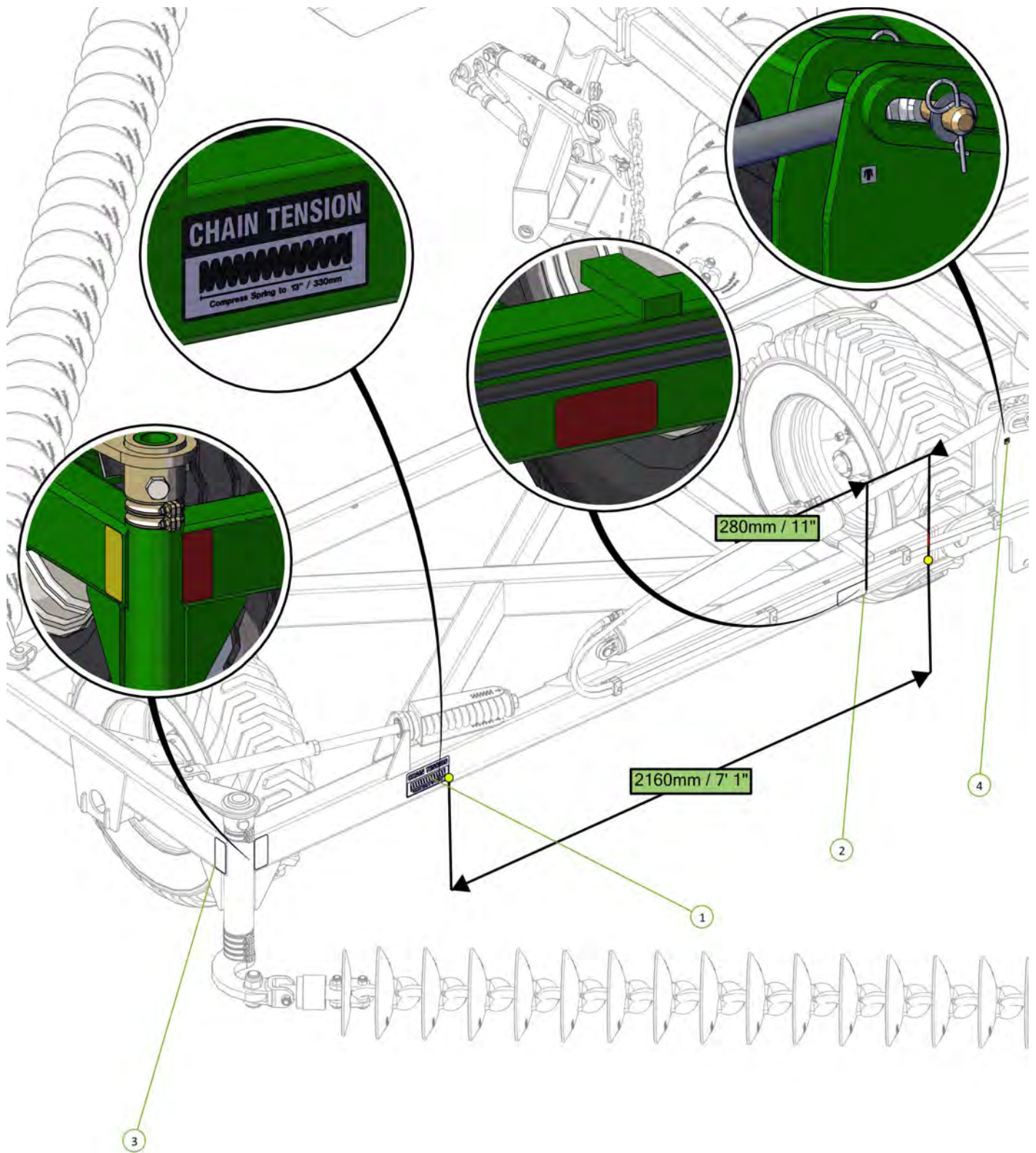
Item No.	Description	Number	Qty
1	Kelly Tillage 3009 Decal	0801-SKT3009	1





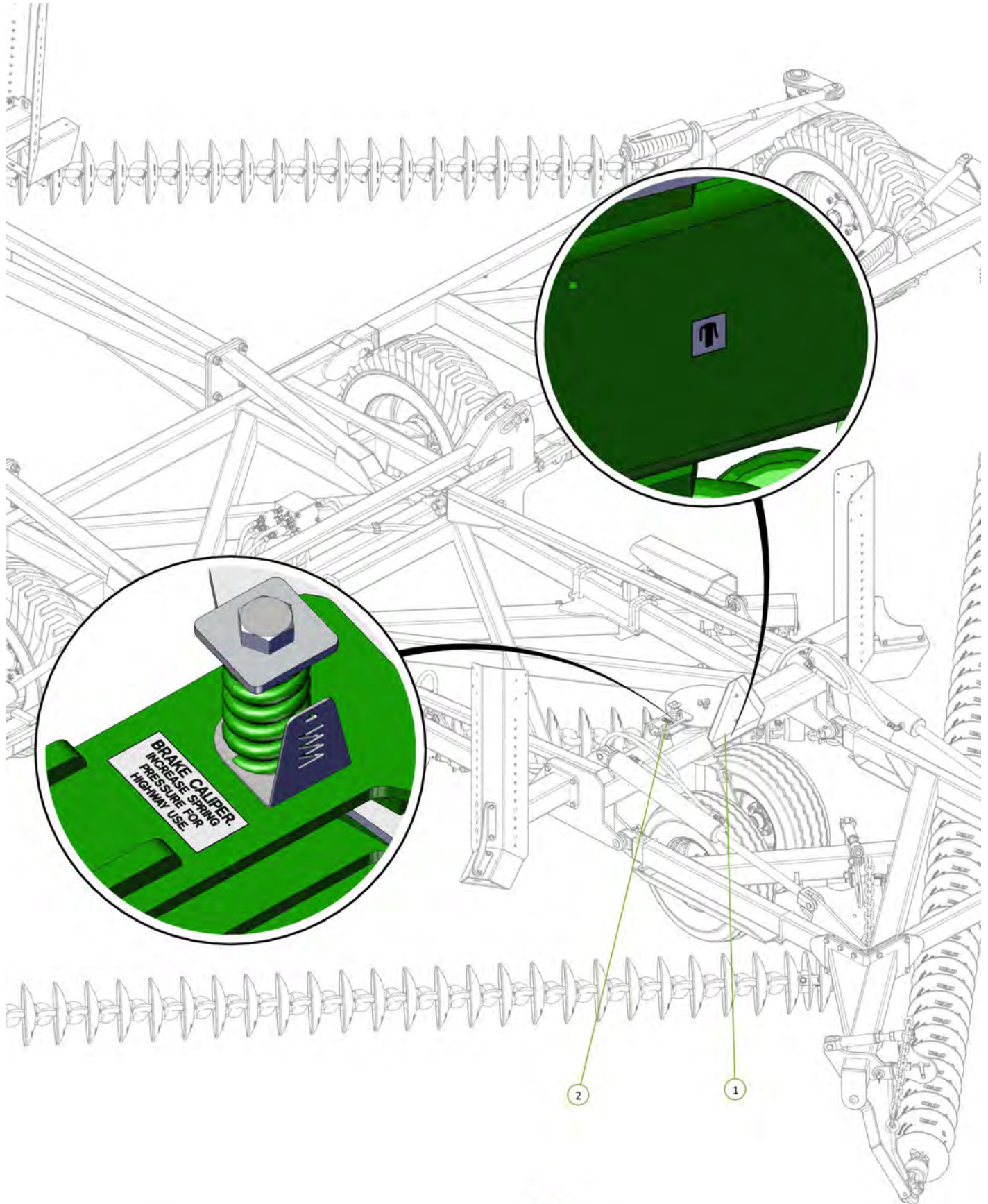
Item No.	Description	Number	Qty
1	Chain Tension 330mm Decal	0801-S15	1
2	Danger Crush Hazard Decal	0801-S3	1
3	Yellow Reflective Decal	0801-SYRF	3





Item No.	Description	Number	Qty
1	Chain Tension 330mm Decal	0801-S15	1
2	Red Reflective Decal	0801-SRRF	2
3	Yellow Reflective Decal	0801-SYRF	1
4	Grease Decal	0801-S10	1

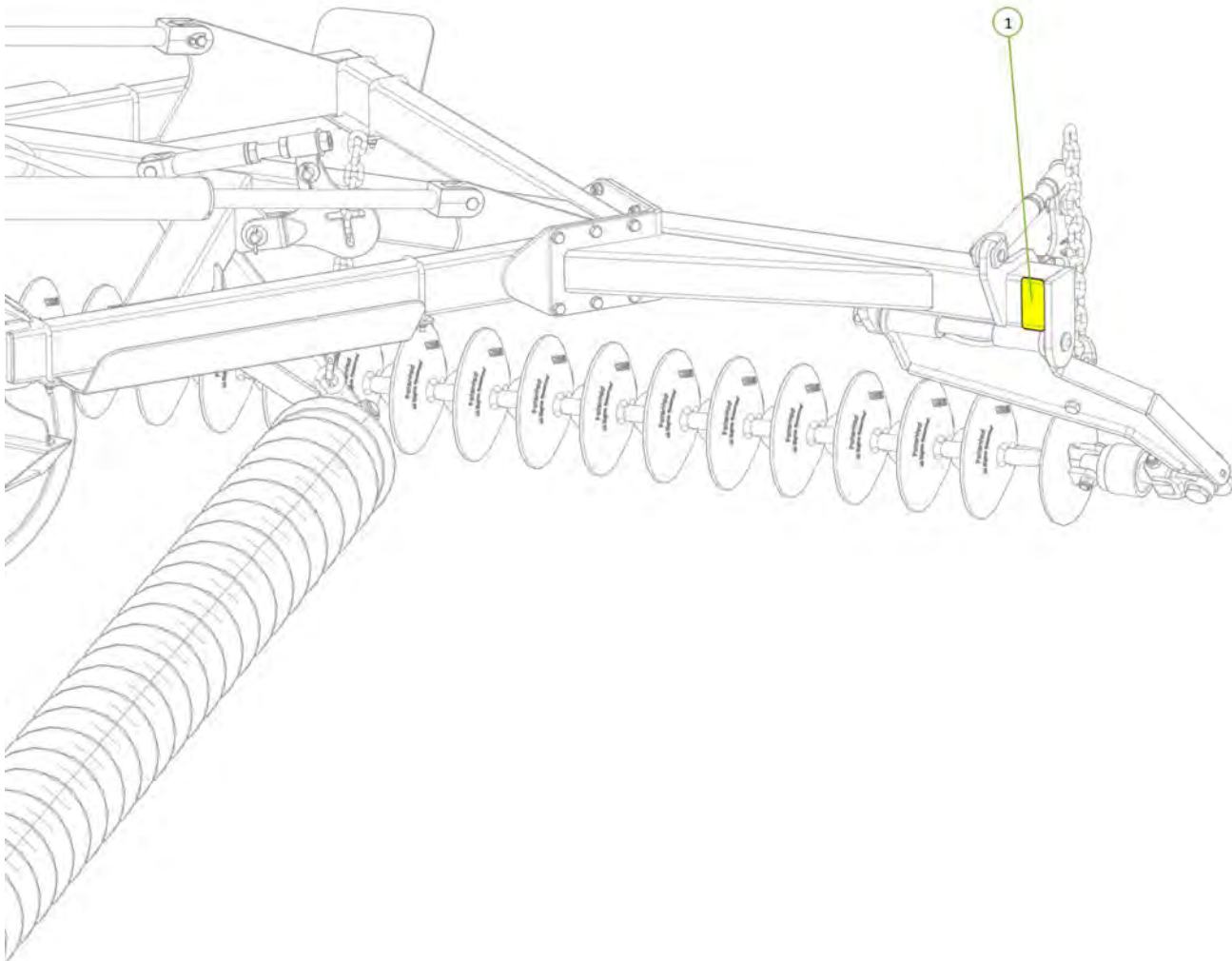




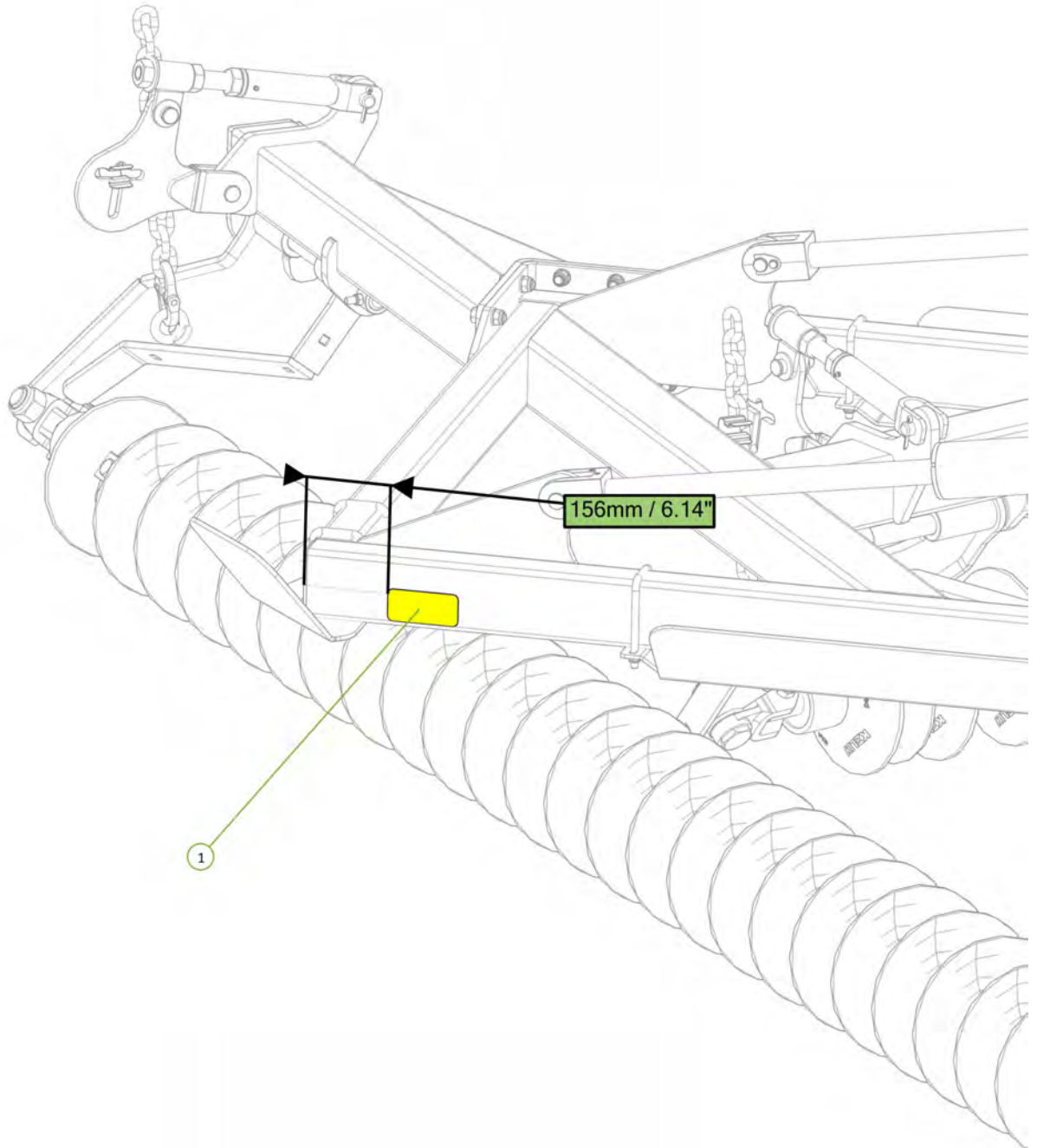
Item No.	Description	Number	Qty
1	Grease Decal	0801-S10	1
2	Brake Caliper Decal	0801-S11	1

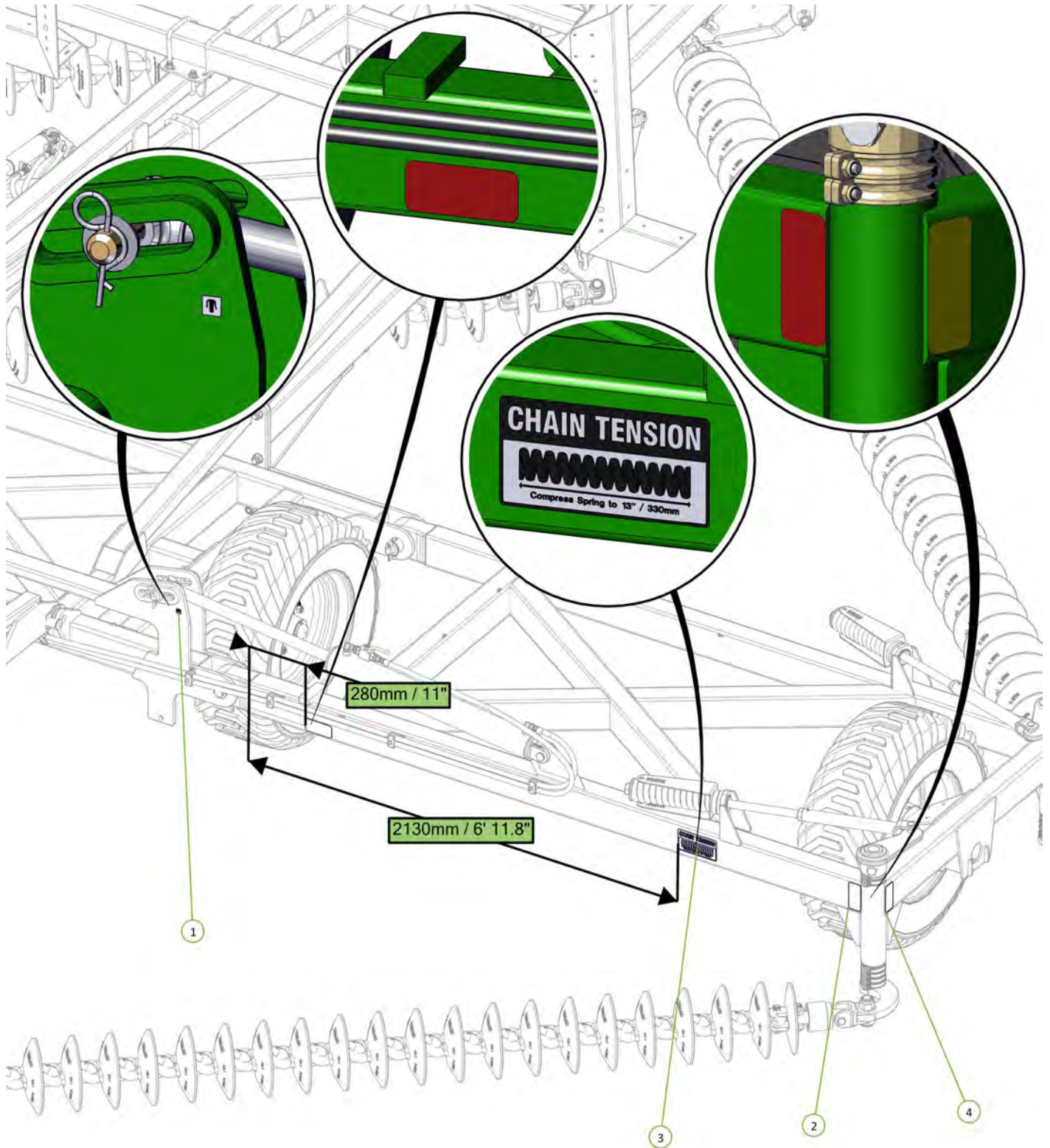


Item No.	Description	Number	Qty
1	Yellow Reflective Decal	0801-SYRF	1



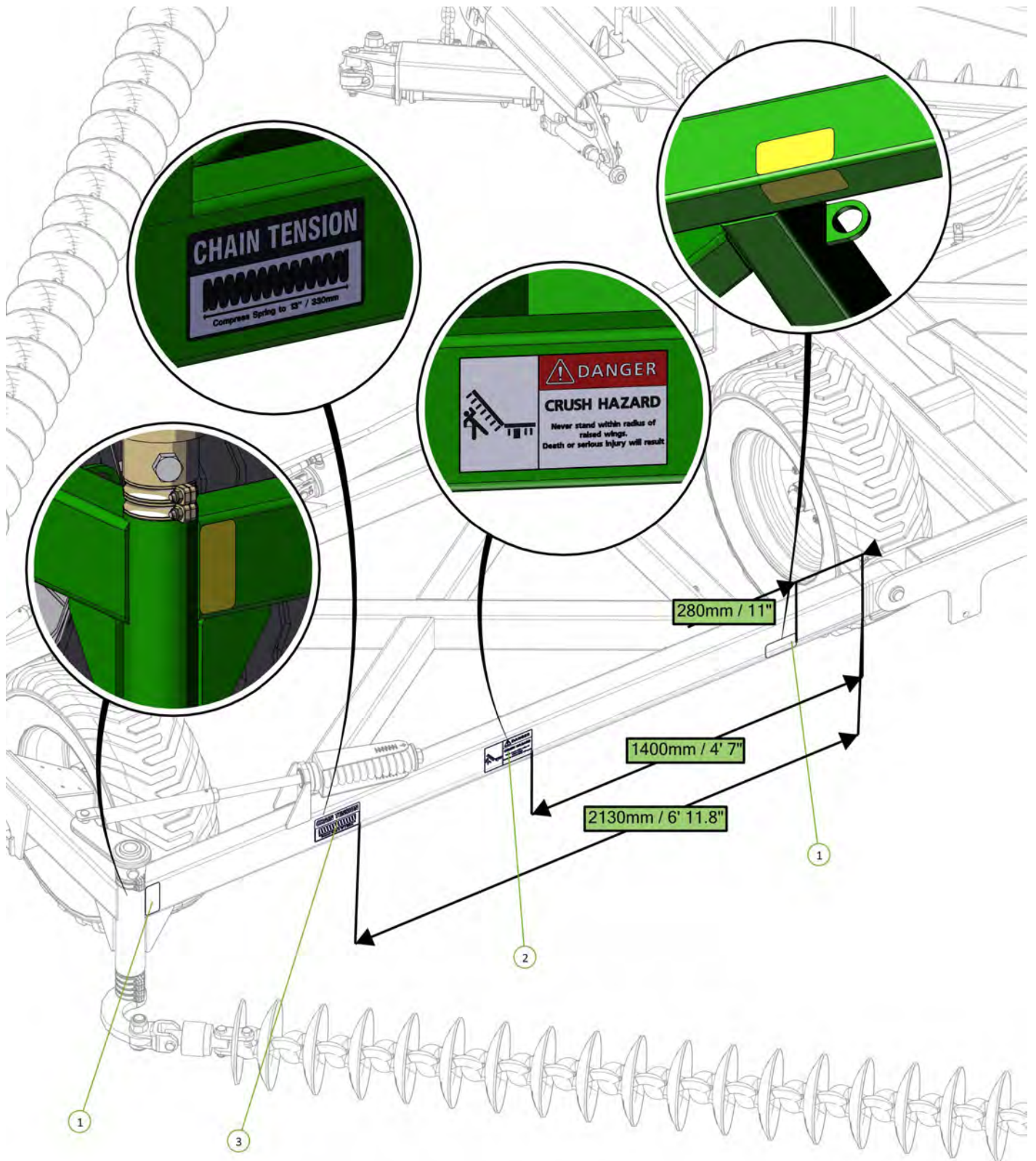
Item No.	Description	Number	Qty
1	Yellow Reflective Decal	0801-SYRF	1





Item No.	Description	Number	Qty
1	Grease Decal	0801-S10	1
2	Red Reflective Decal	0801-SRRF	2
3	Chain Tension 330mm Decal	0801-S15	1
4	Yellow Reflective Decal	0801-SYRF	1

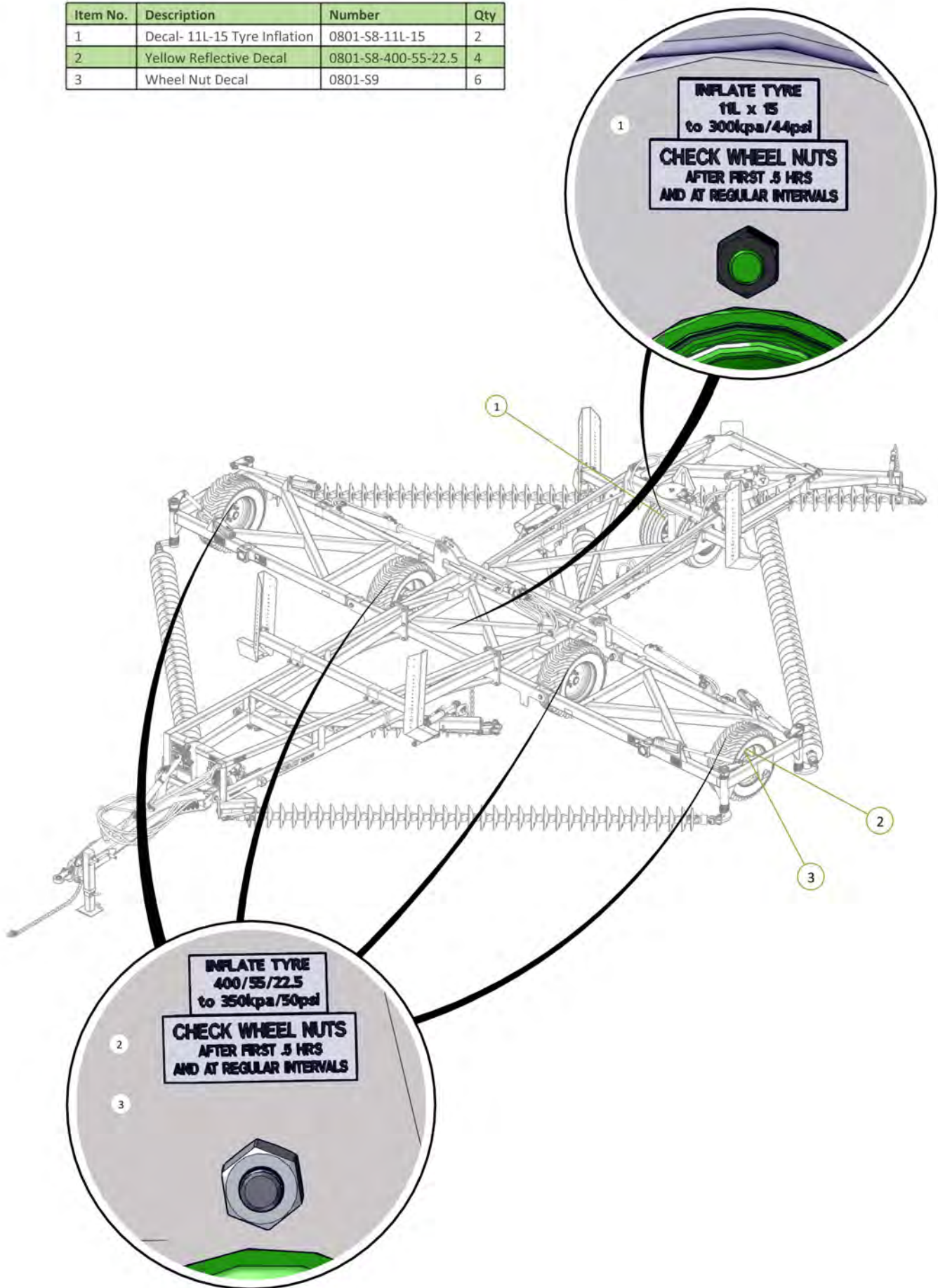


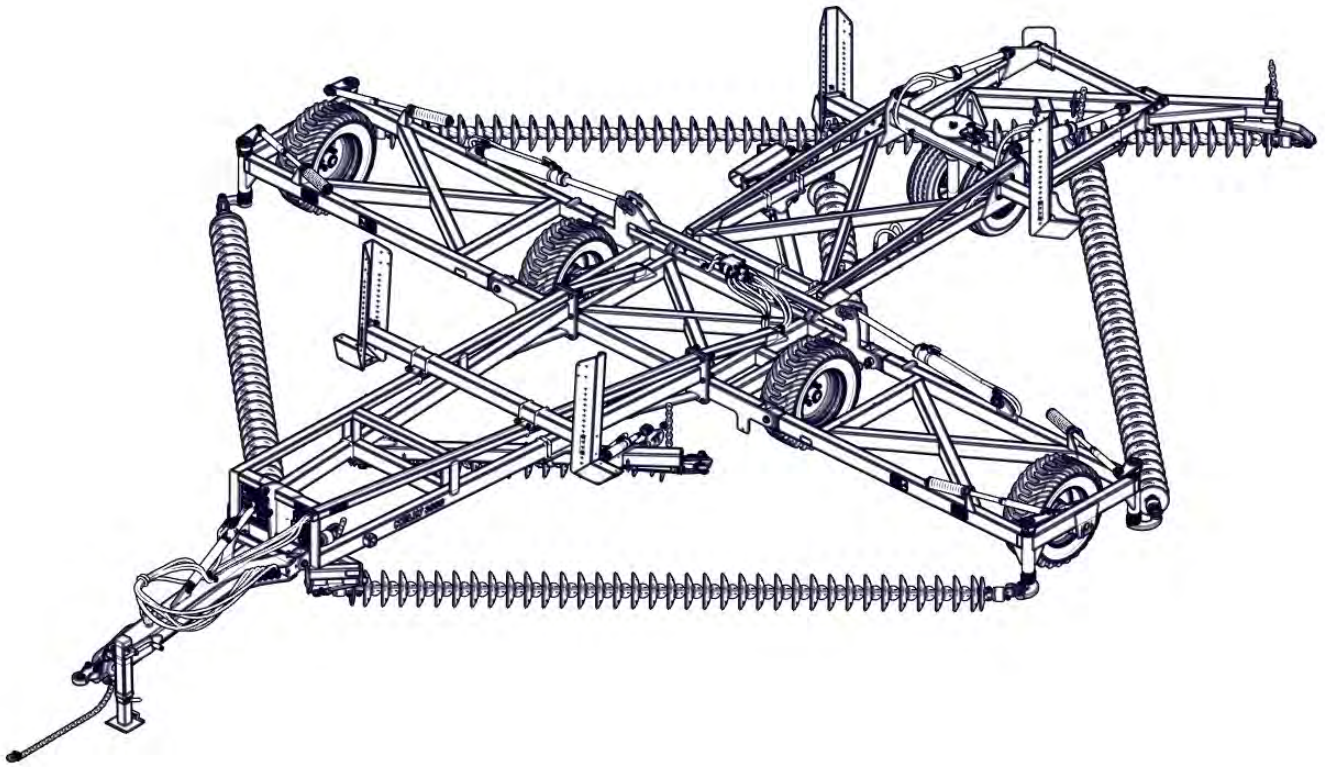


Item No.	Description	Number	Qty
1	Yellow Reflective Decal	0801-SYRF	3
2	Danger Crush Hazard Decal	0801-S3	1
3	Chain Tension 330mm Decal	0801-S15	1



Item No.	Description	Number	Qty
1	Decal- 11L-15 Tyre Inflation	0801-S8-11L-15	2
2	Yellow Reflective Decal	0801-S8-400-55-22.5	4
3	Wheel Nut Decal	0801-S9	6

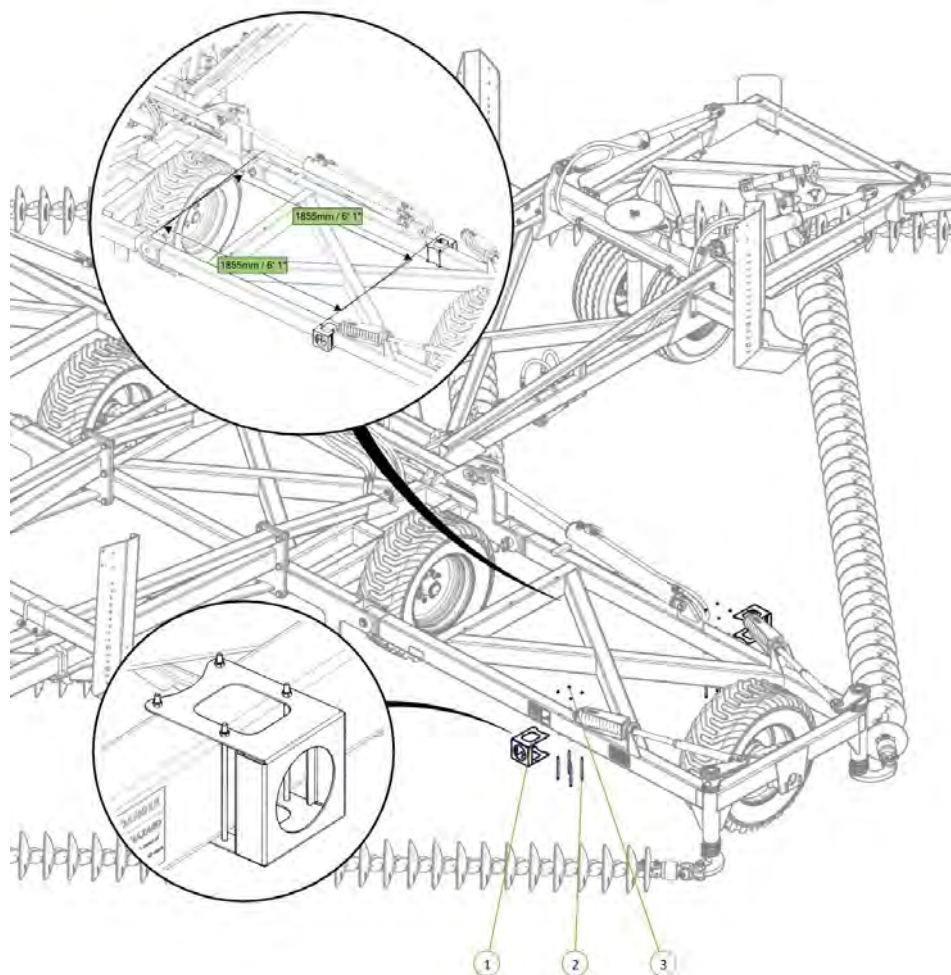




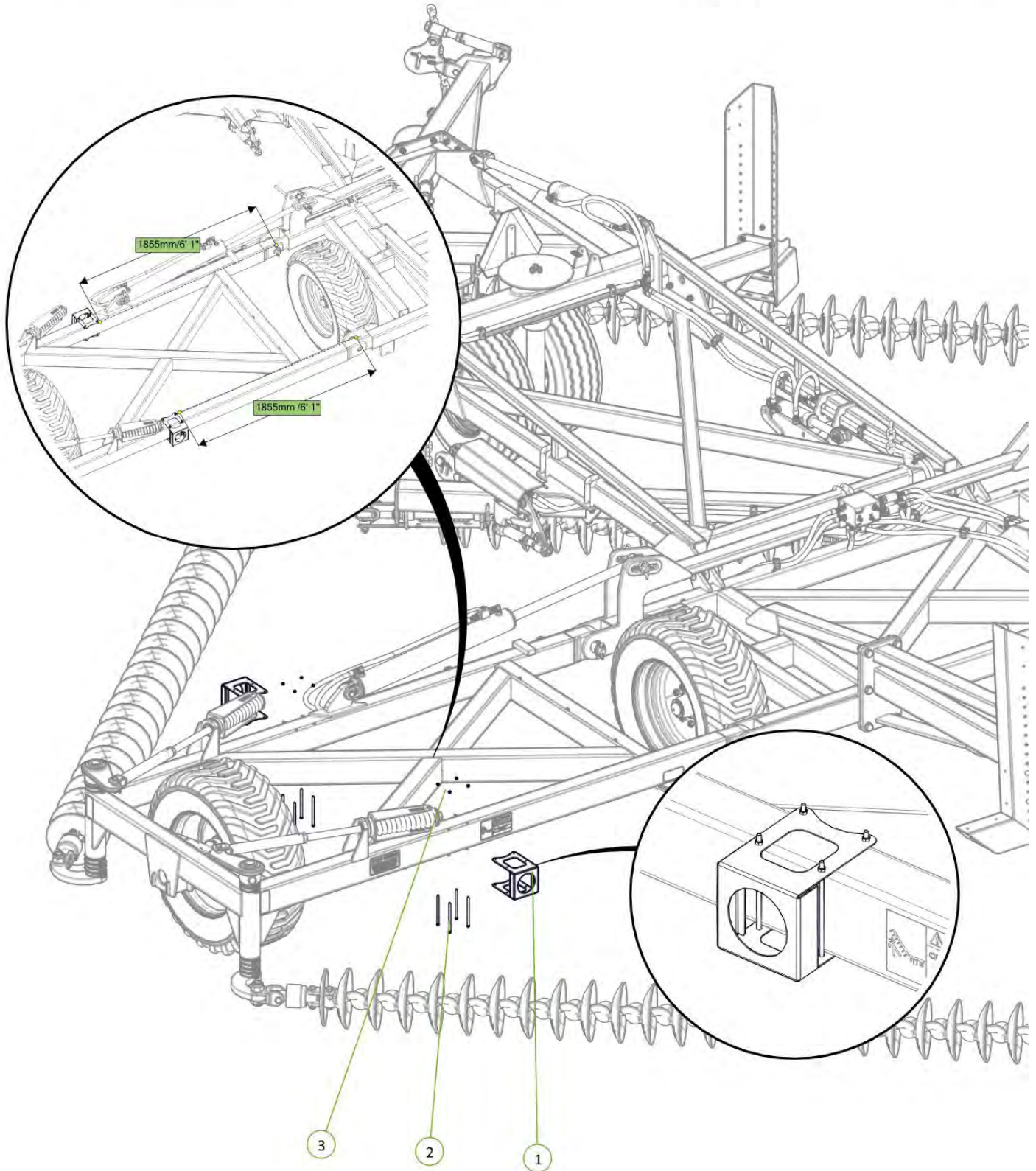
KELLY

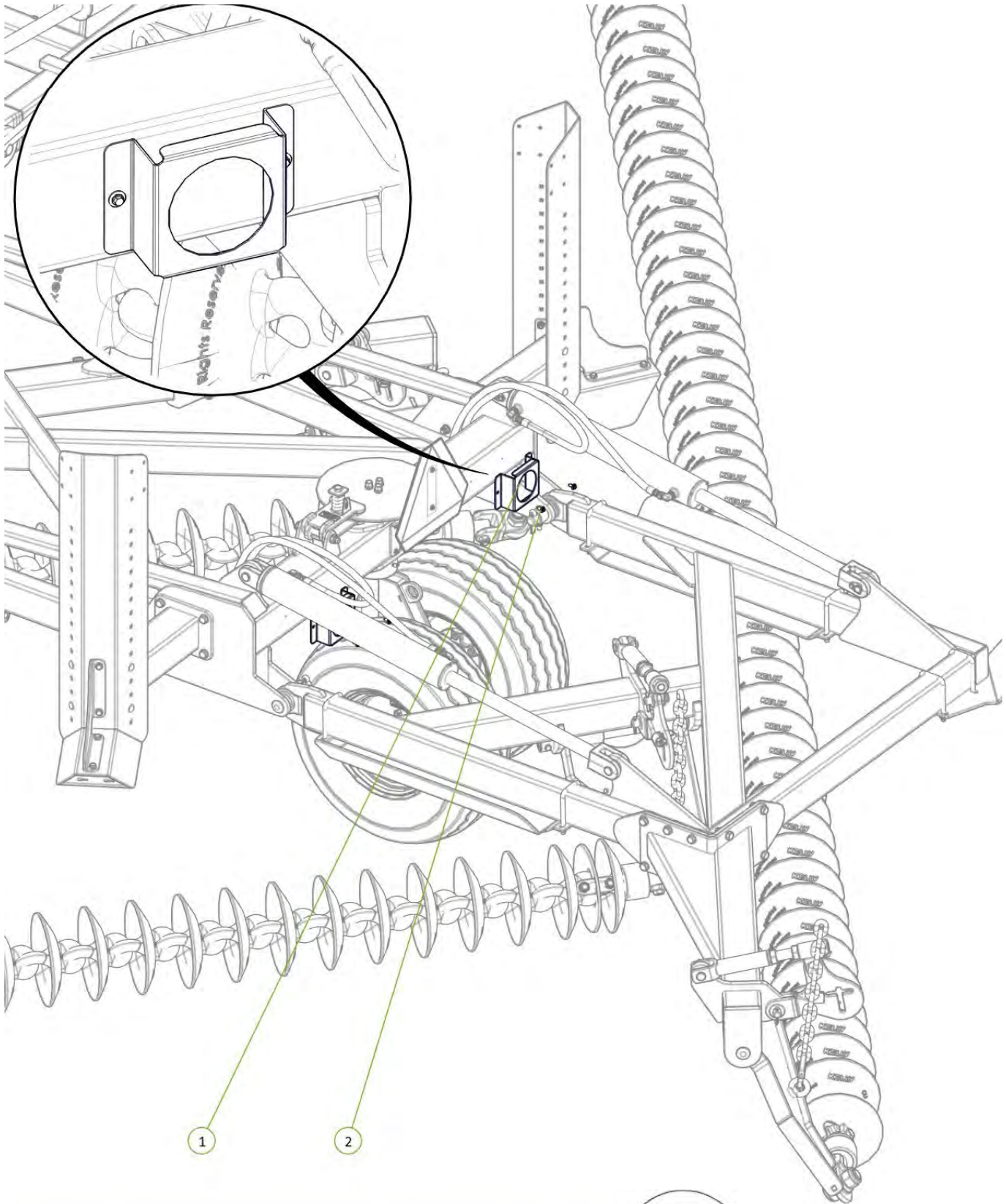
Section 4 - Light Kit

Item No.	Description	Number	Qty
1	Wing light bracket	0800-296	2
2	Socket Head Bolt M6 x 170 zp	0211-SH6170	8
3	Nyloc Nut M6	0221-NYL6	2



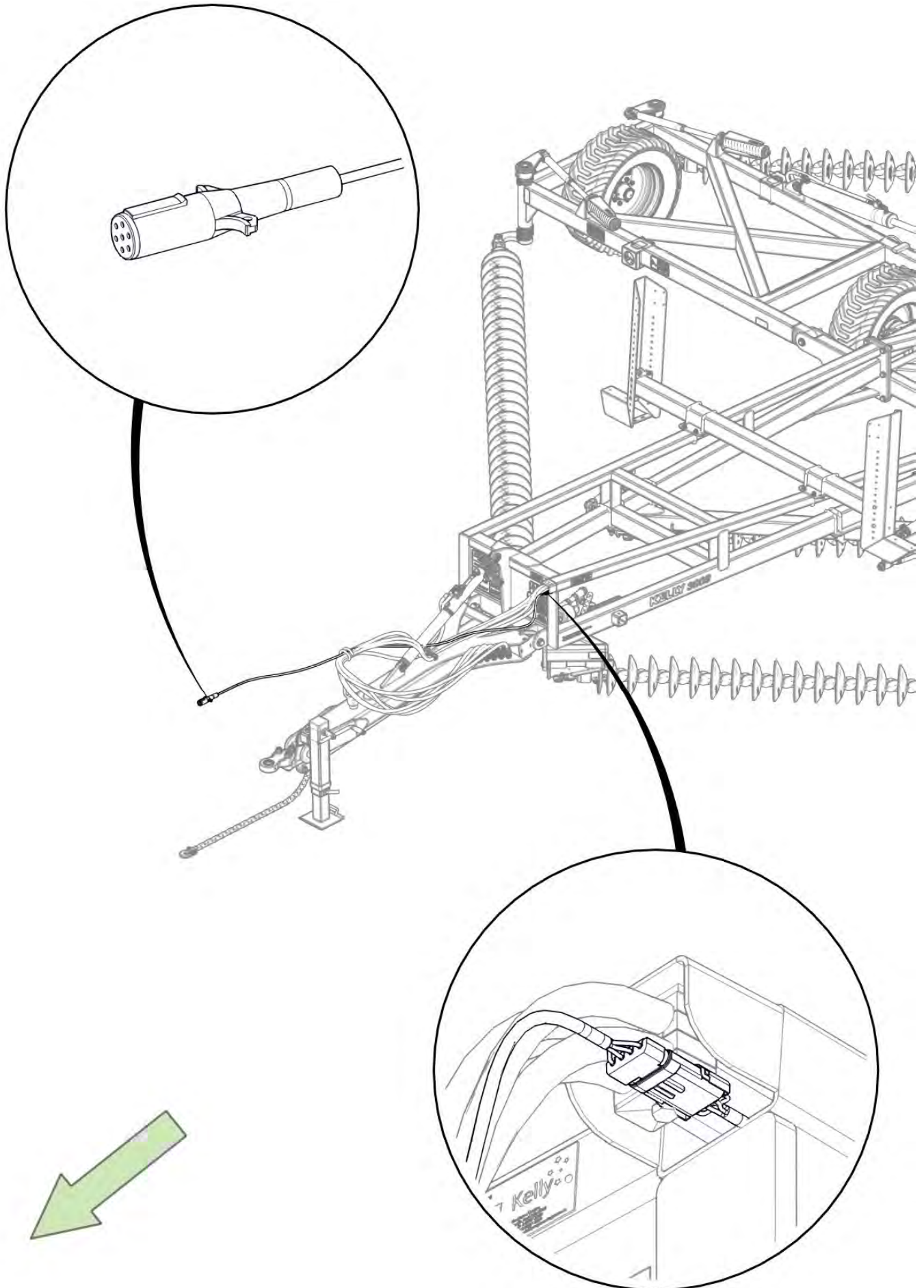
Item No.	Description	Number	Qty
1	Wing light bracket	0800-296	2
2	Socket Head Bolt M6 x 170 zp	0211-SH6170	8
3	Nyloc Nut M6	0221-NYL6	8

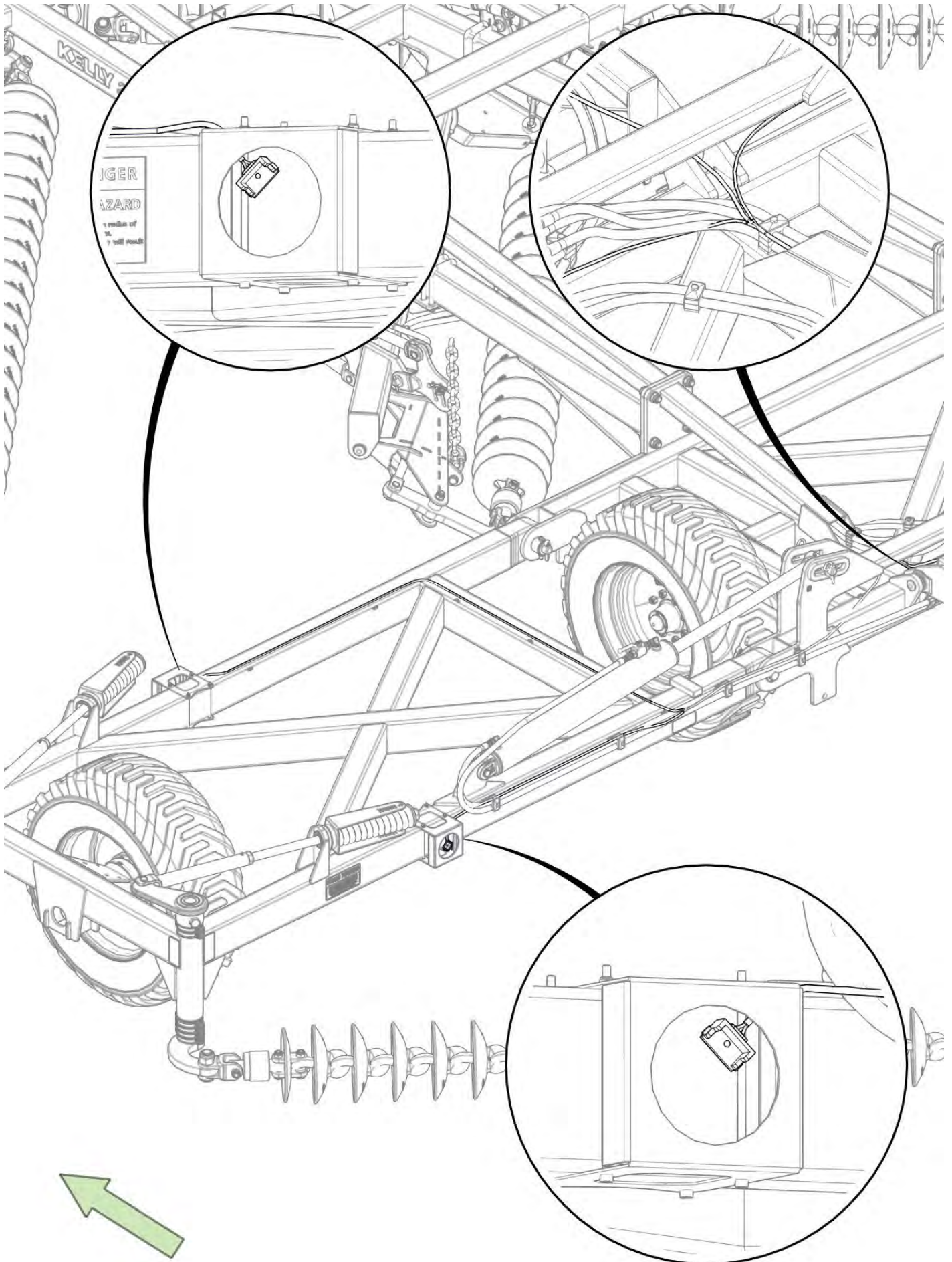


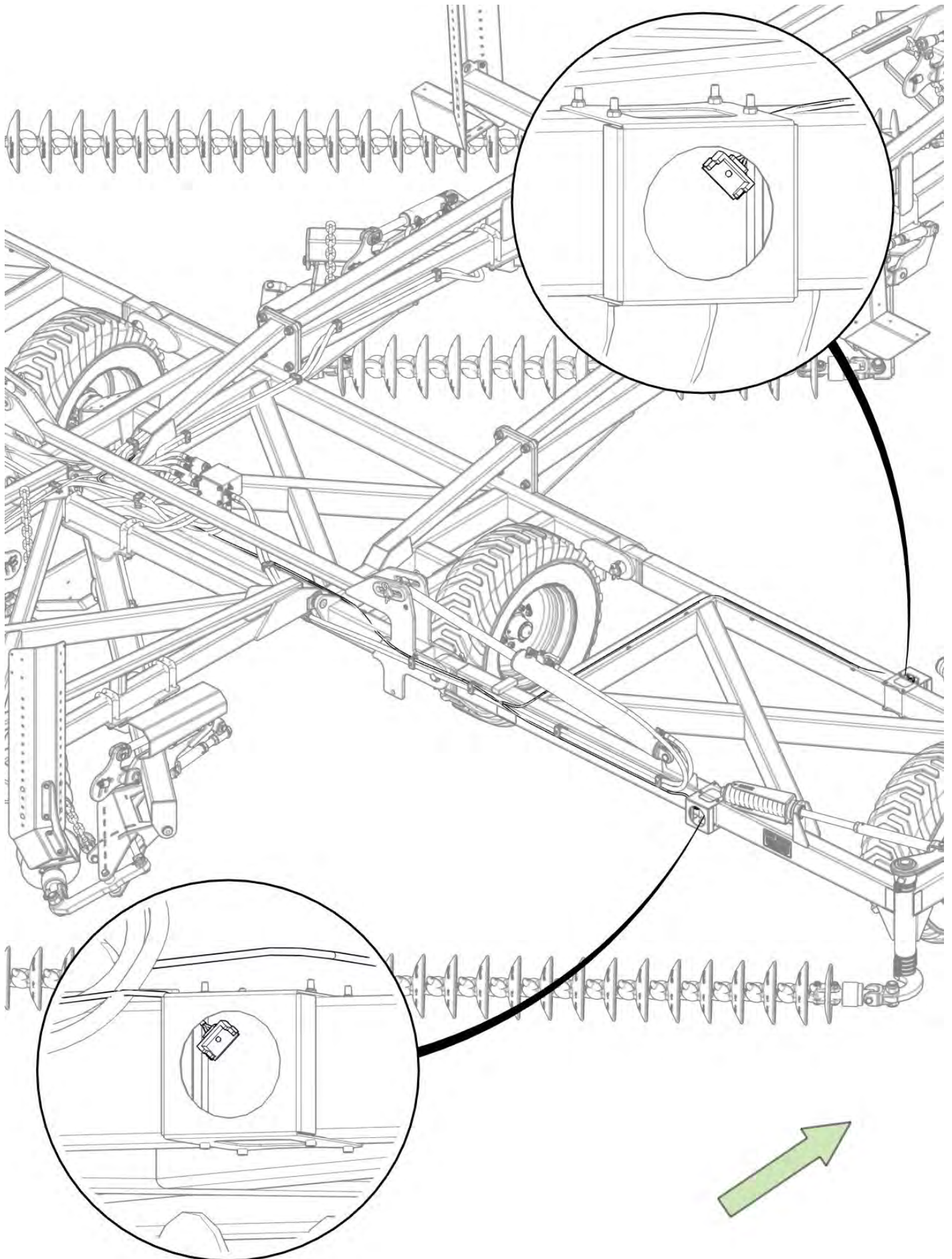


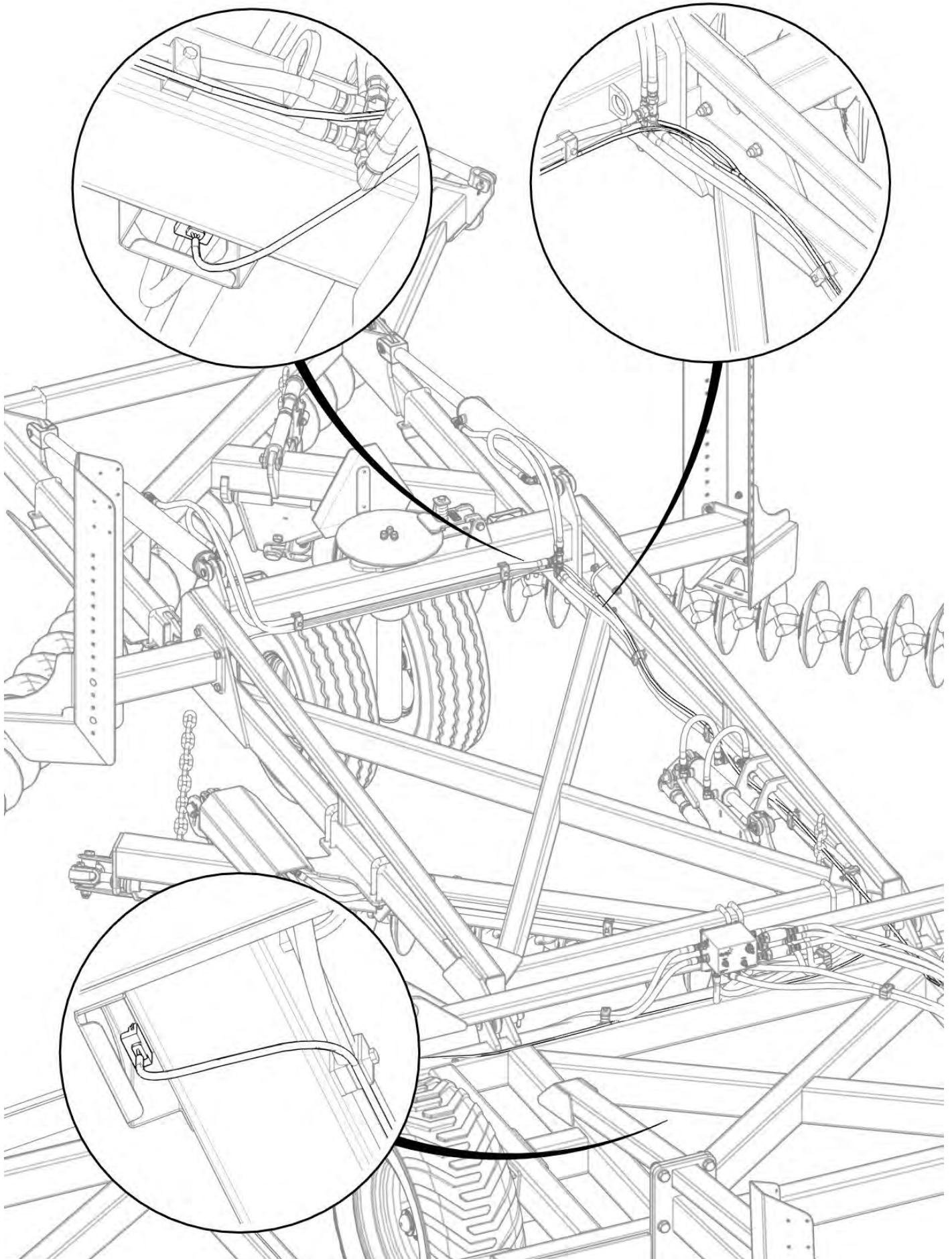
Item No.	Description	Number	Qty
1	US Tail Light Bracket	0800-194.1	2
2	M6 x 20 Trilobe self tapping ScREW	0211-M620MZPHTF	4



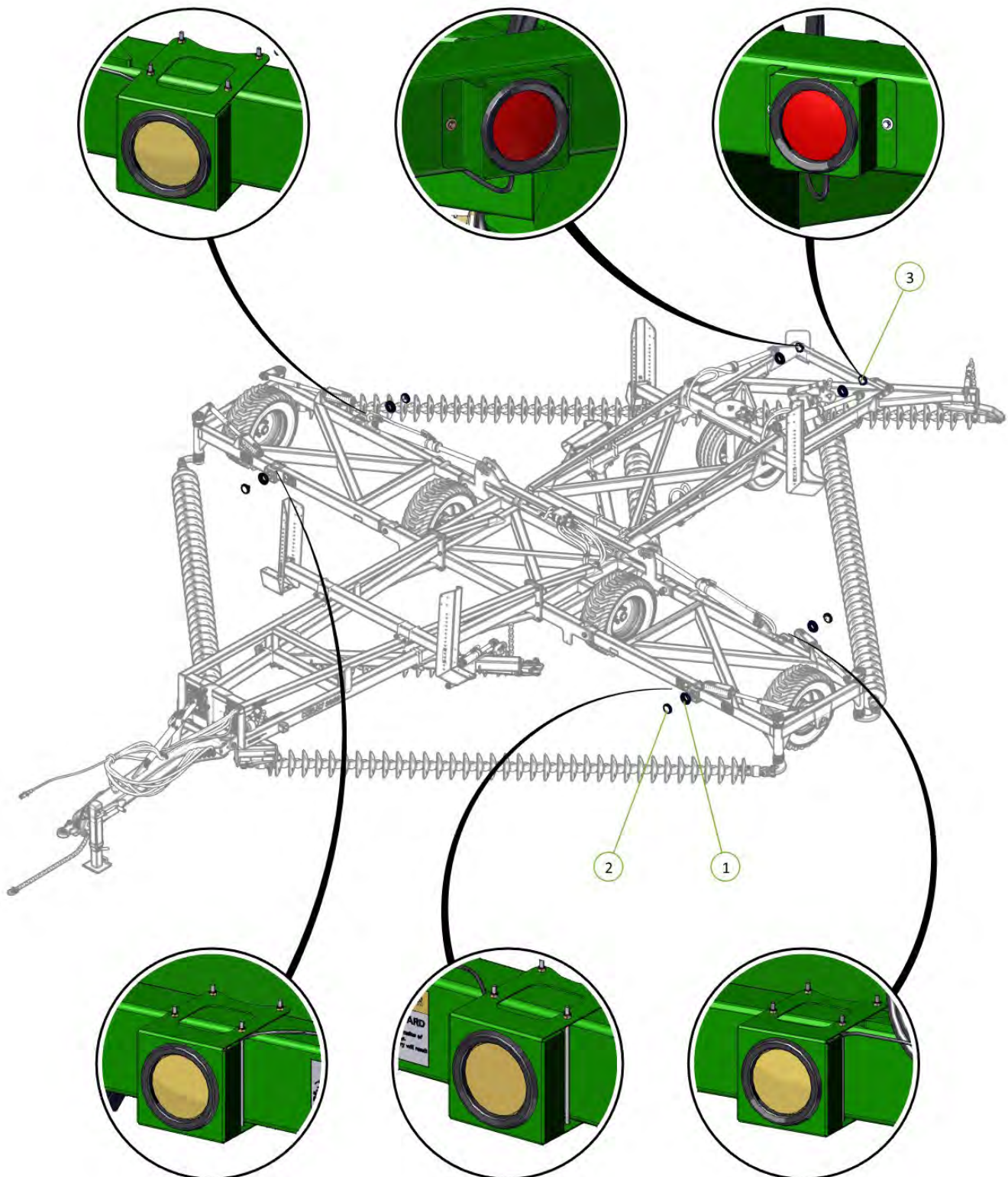


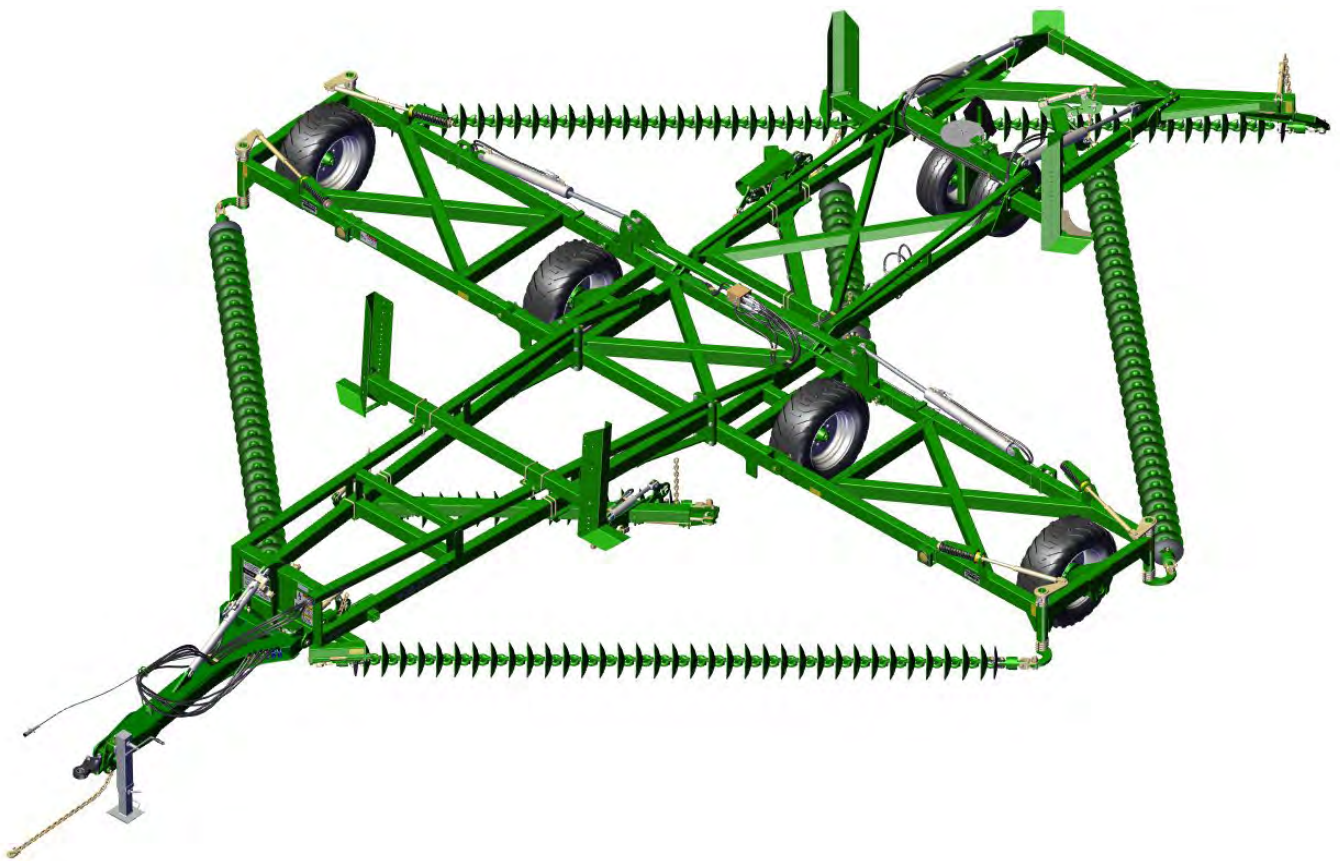






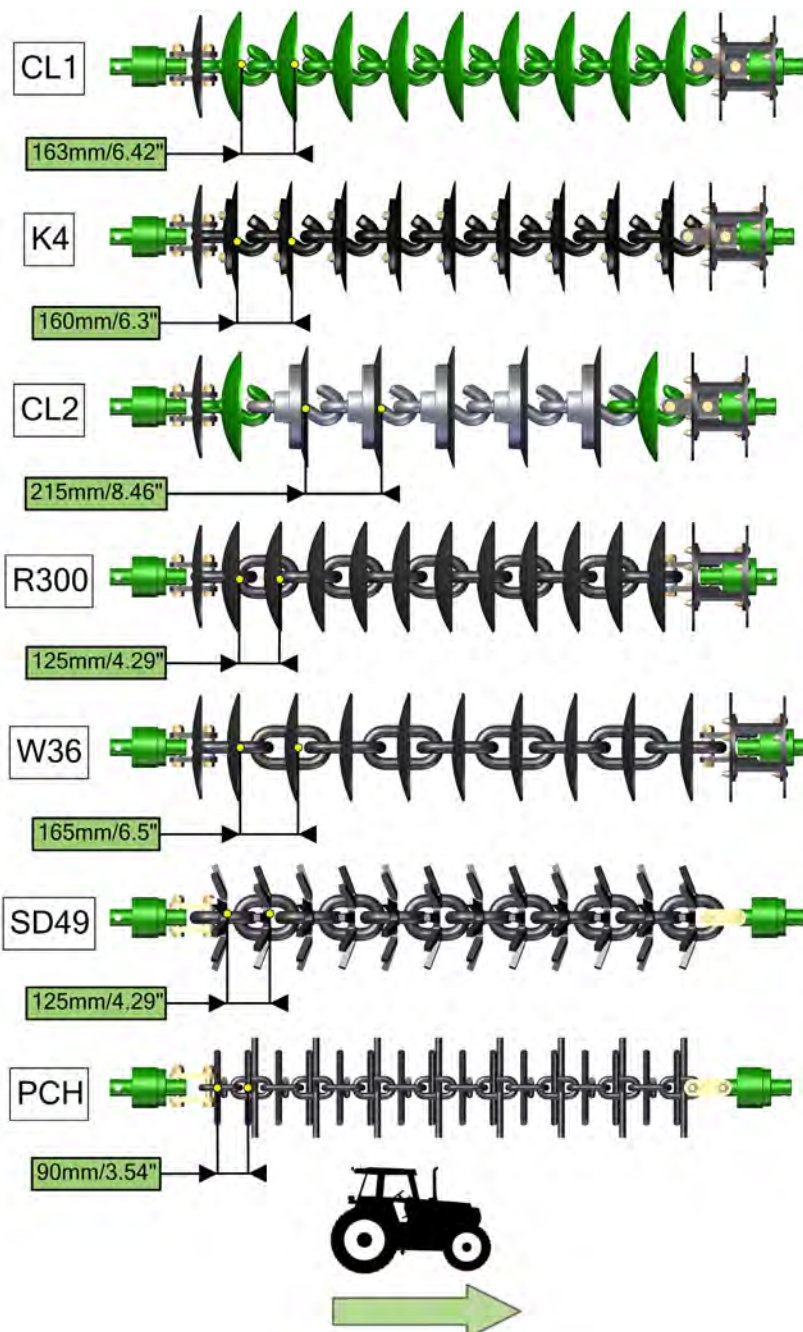
Item No.	Description	Number	Qty
1	110RM Rubber Grommet	0412-53101RG	6
2	LED Rear Indicator Lamp	0412-LED110AM	4
3	LED Stop Tail Lamp	0412-LED110RM	2





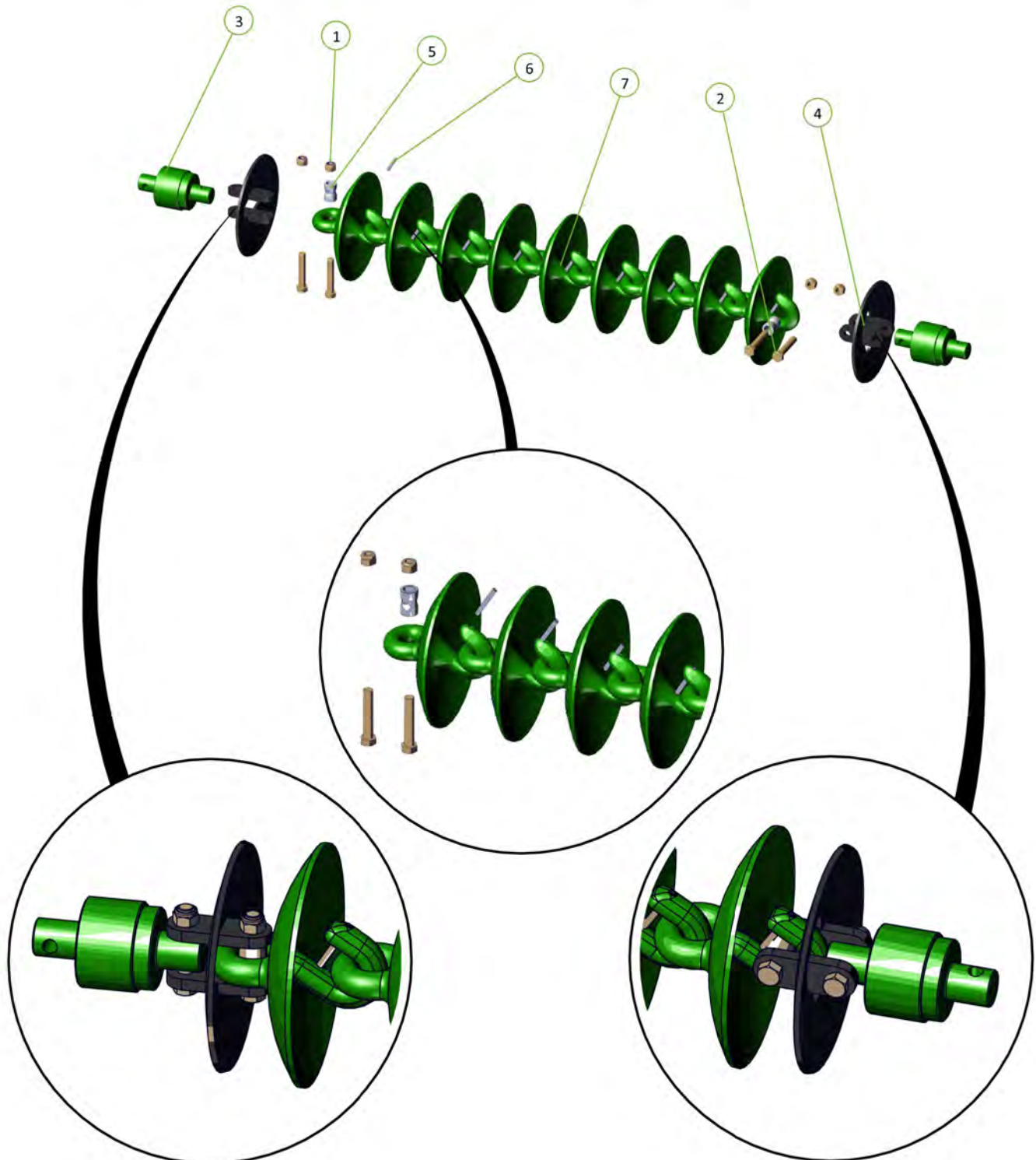


Section 5 - Chain Assembly



CL1 Disc Chain

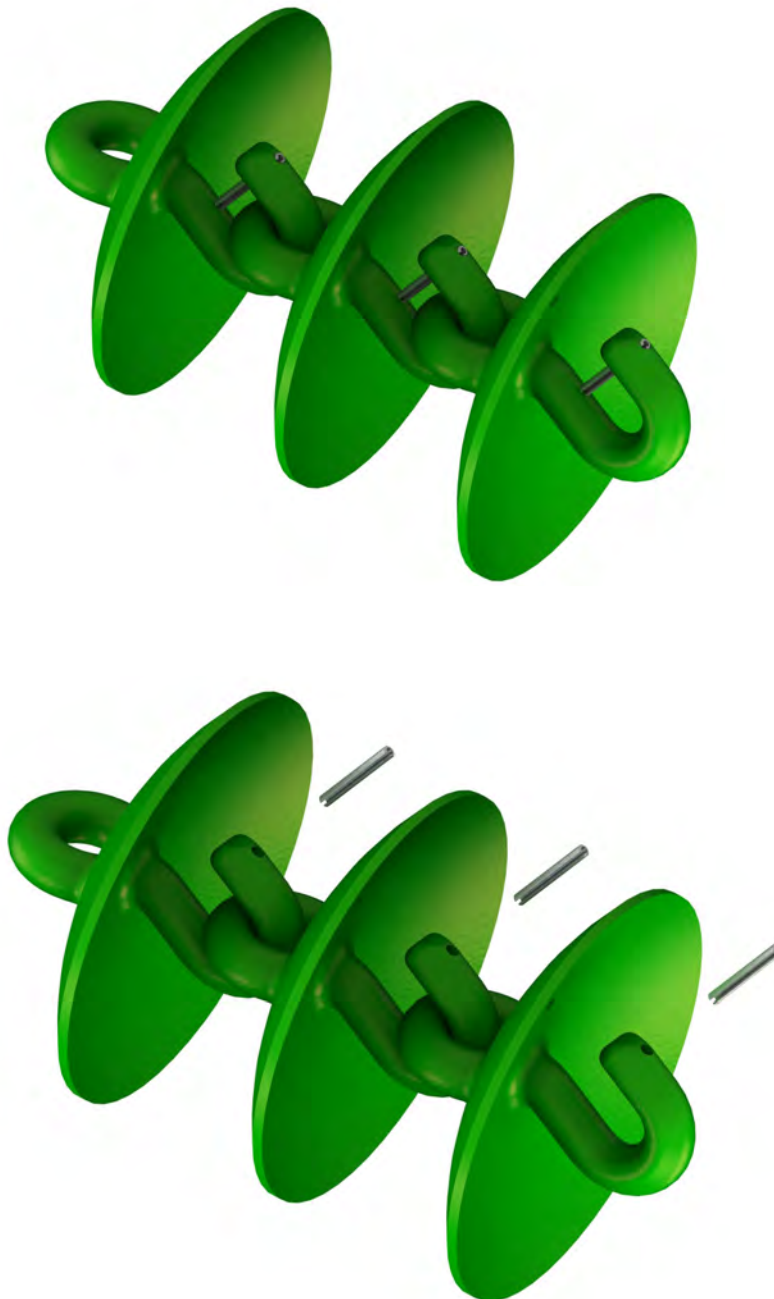
Item No.	Description	Number
1	Nyloc Nut M20	0221-NYL20
2	M20 x 110 Class 10.9 ZP Short Thread Bolt	0211-20110ST
3	20mm Bolt Swivel Unit	0802-PCHB55
4	Tie Plate Disc 20mm	0802-DCTP-20
5	Disc Chain Spacer	0801-253755
6	Roll Pin Zinc Plated 3/8" x 2"	0262-3-8X2
7	CL1-B Chain Disc Link	0803-CL1



Fitting Cast Link Pins

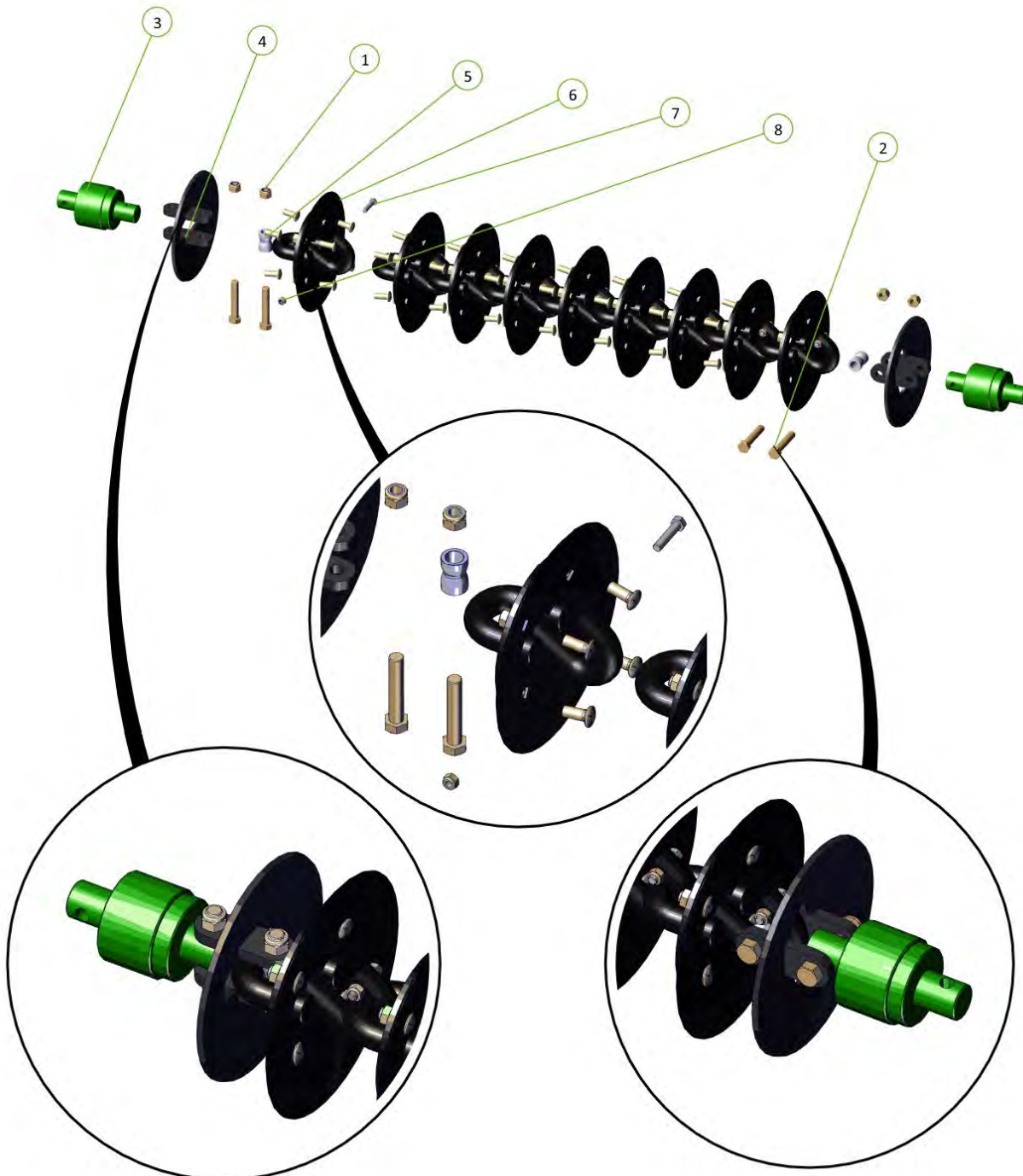
Please install cast link retaining Pins (3/8" x 3" Roll Pin, part number 0262-3-8X3) on all cast disc links.

Failure to do this could lead to the discs becoming dislodged during transport causing severe damage or injury.

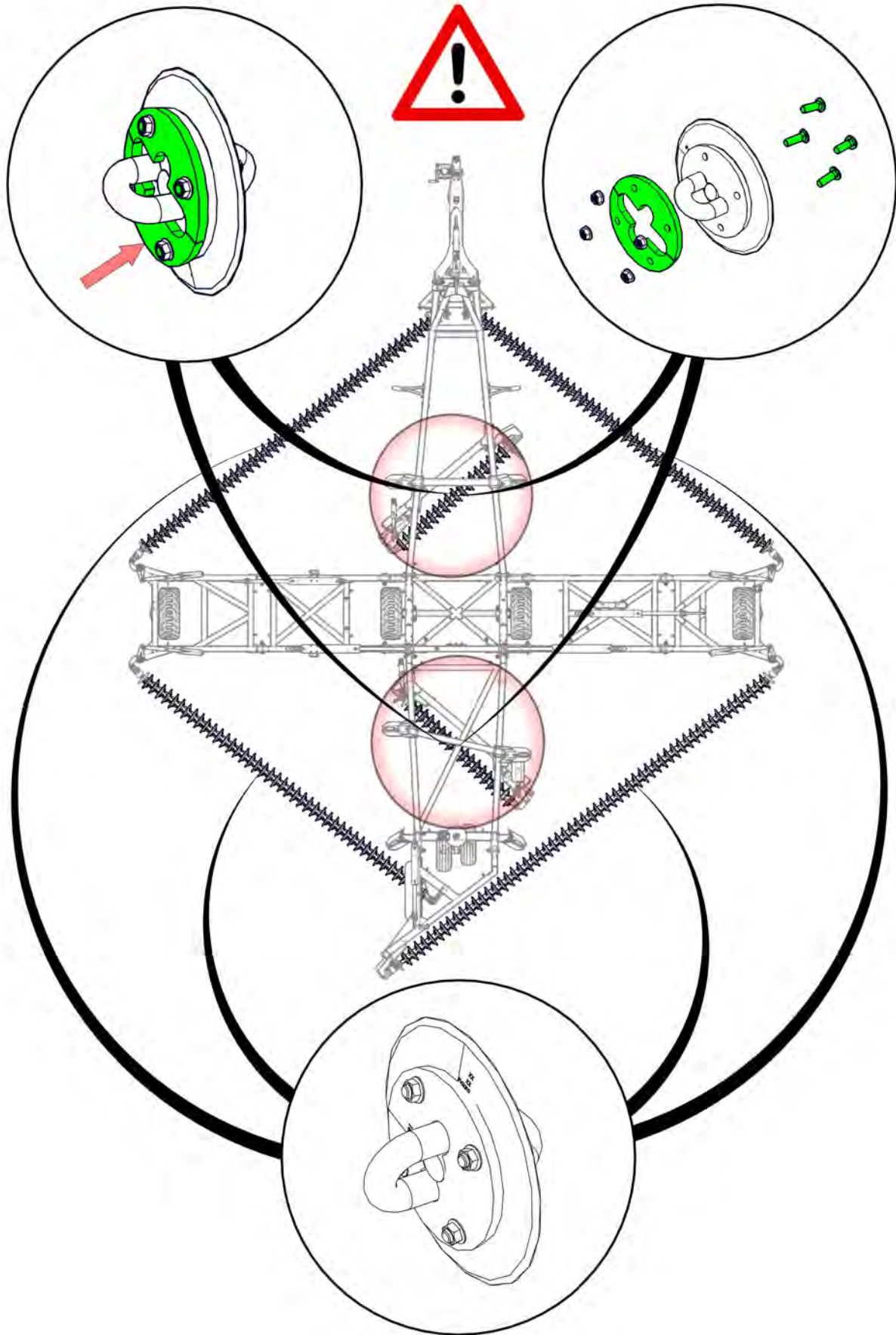


K4 Disc Chain

Item No.	Description	Number
1	Nyloc Nut M20	0221-NYL20
2	M20 x 110 Class 10.9 ZP Short Thread Bolt	0211-20110ST
3	20mm Bolt Swivel Unit	0802-PCHB55
4	Tie Plate Disc 20mm	0802-DCTP-20
5	Disc Chain Spacer	0801-253755
6	K4 Disc Assembly	0803-K4
7	M12 x 55 Class 8.8 ZP Bolt	0211-1255
8	Nyloc Nut M12	0221-NYL12

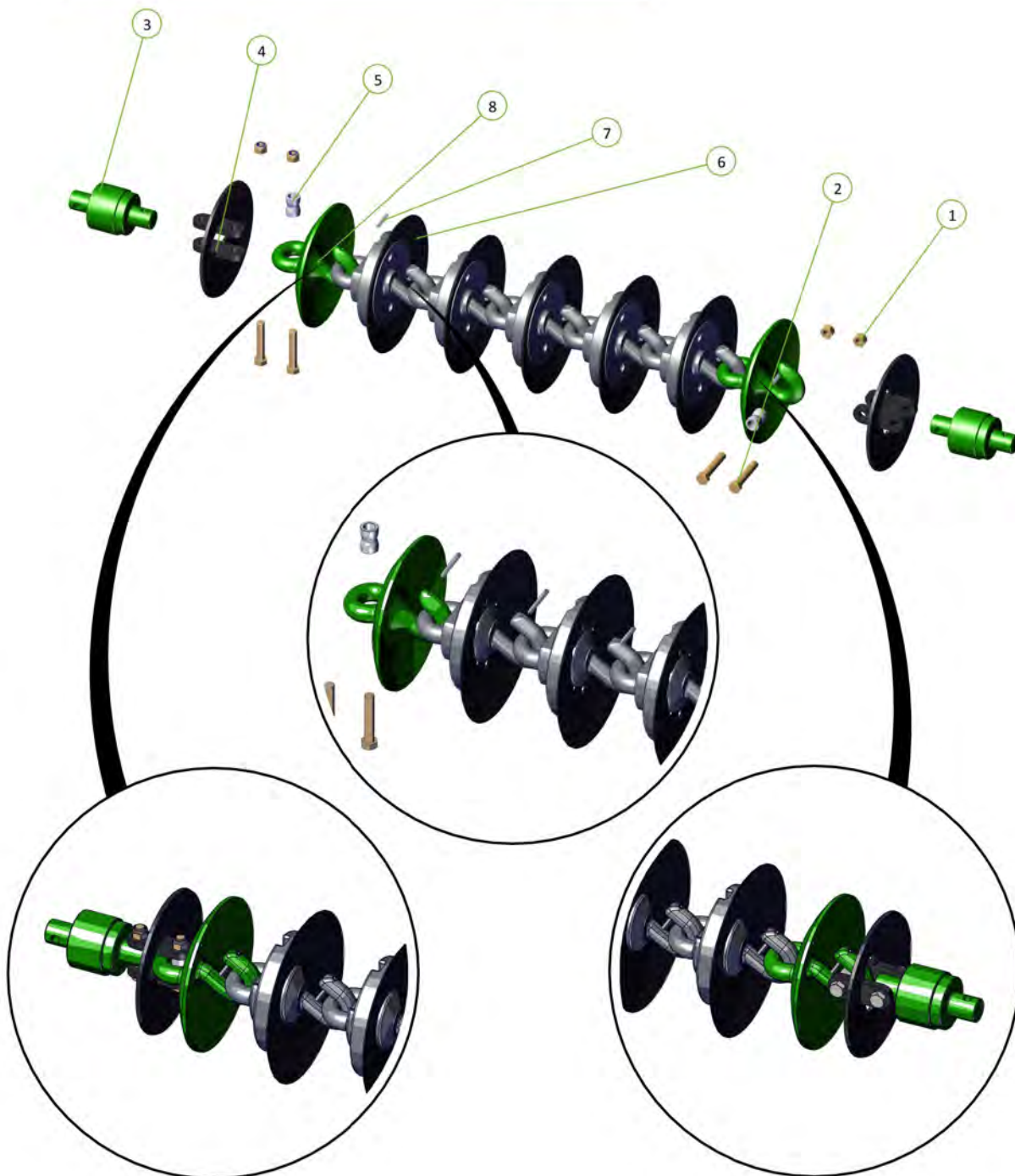


K4 Weight Assembly on Modules

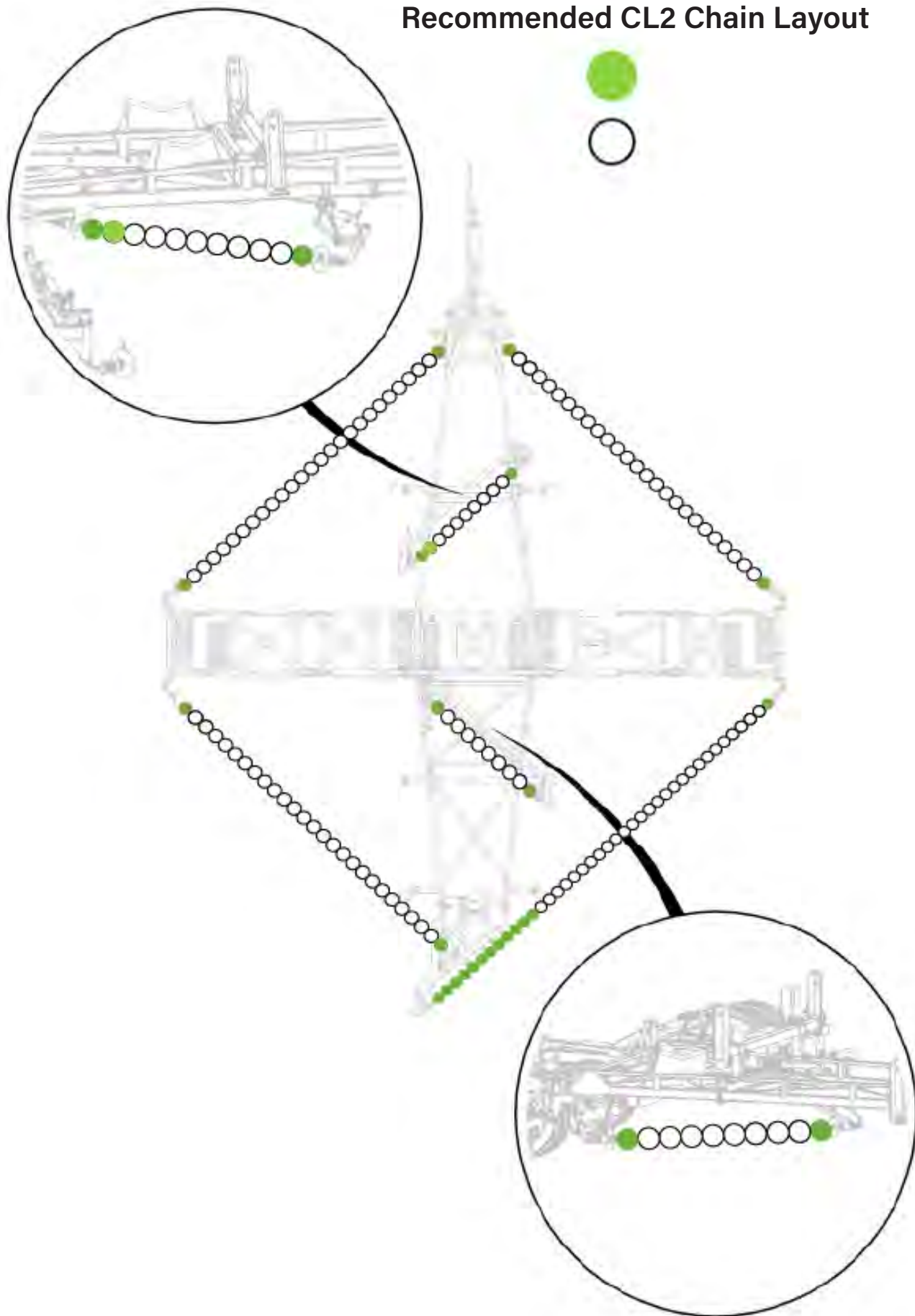


CL2 Disc Chain

Item No.	Description	Number
1	Nyloc Nut M20	0221-NYL20
2	M20 x 110 Class 10.9 ZP Short Thread Bolt	0211-20110ST
3	20mm Bolt Swivel Unit	0802-PCHB55
4	Tie Plate Disc 20mm	0802-DCTP-20
5	Disc Chain Spacer	0801-253755
6	CL2-Link Assembly	0803-CL2
7	Roll Pin Zinc Plated 3/8" x 2"	0262-3-8X2
8	CL1 Disc Chain Link	0803-CL1

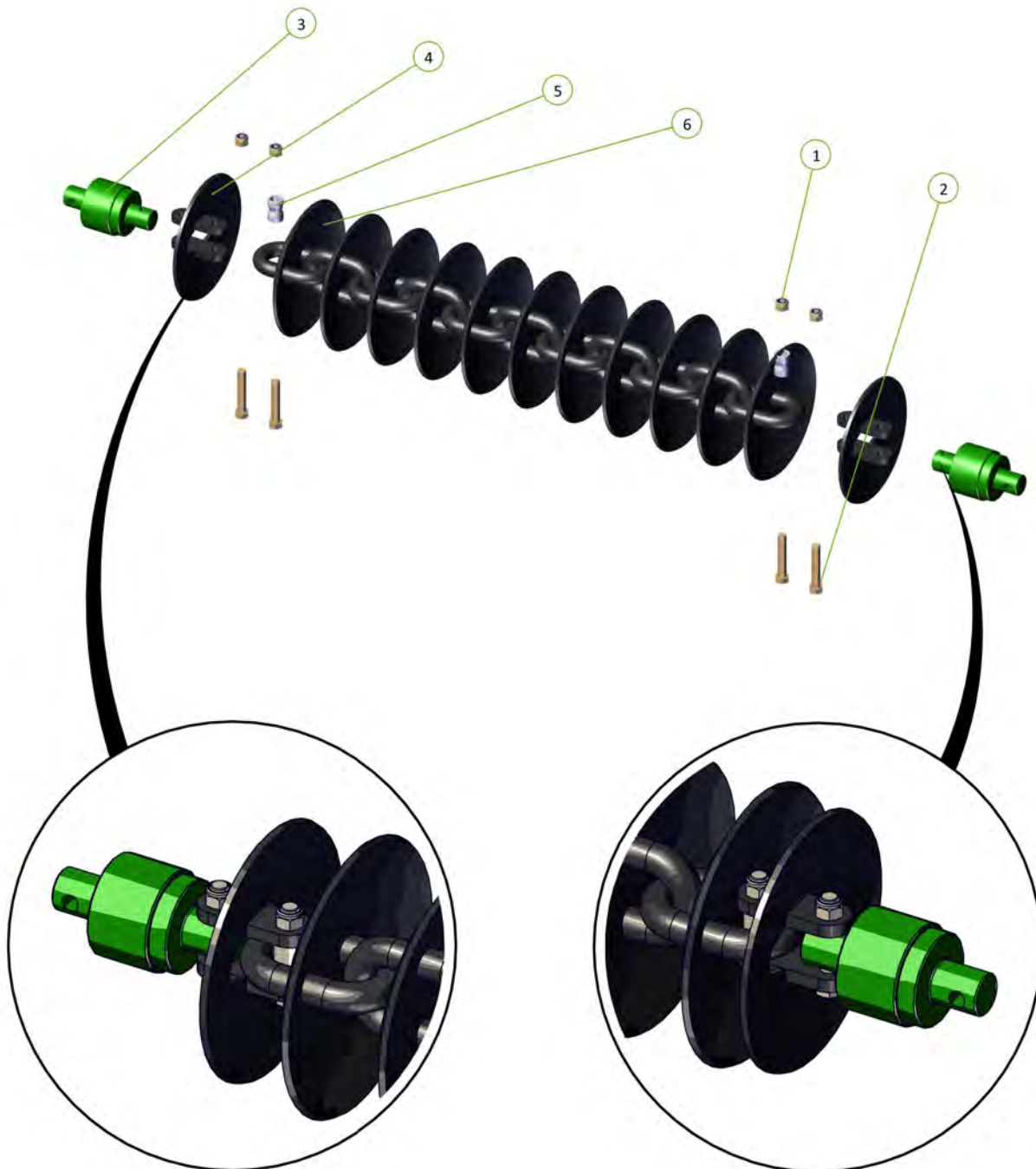


Recommended CL2 Chain Layout



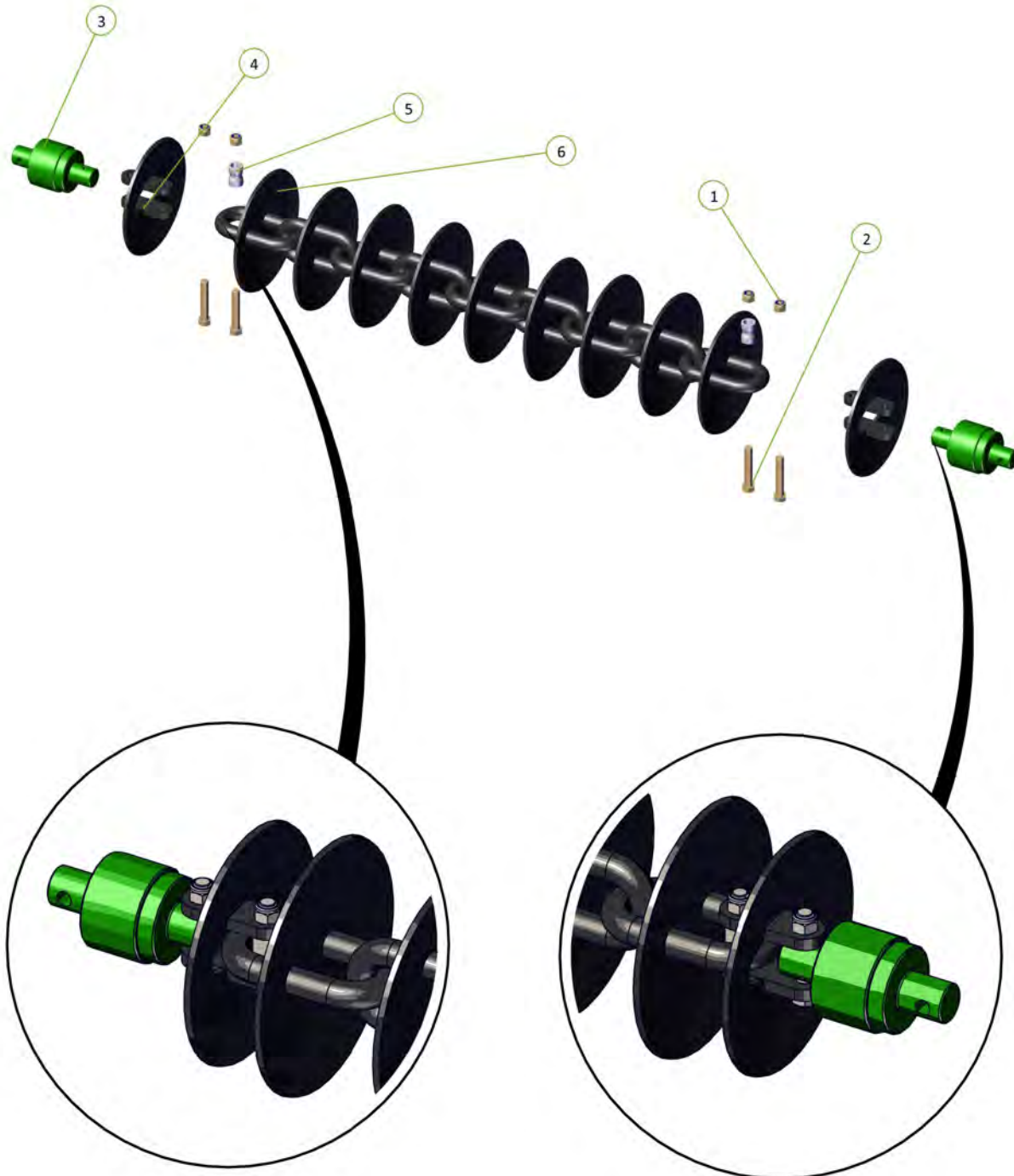
R300 Disc Chain

Item No.	Description	Number
1	Nyloc Nut M20	0221-NYL20
2	M20 x 110 Class 10.9 ZP Short Thread Bolt	0211-20110ST
3	20mm Bolt Swivel Unit	0802-PCHB55
4	Tie Plate Disc 20mm	0802-DCTP-20
5	Disc Chain Spacer	0801-253755
6	R300 Chain Link	0803-R300



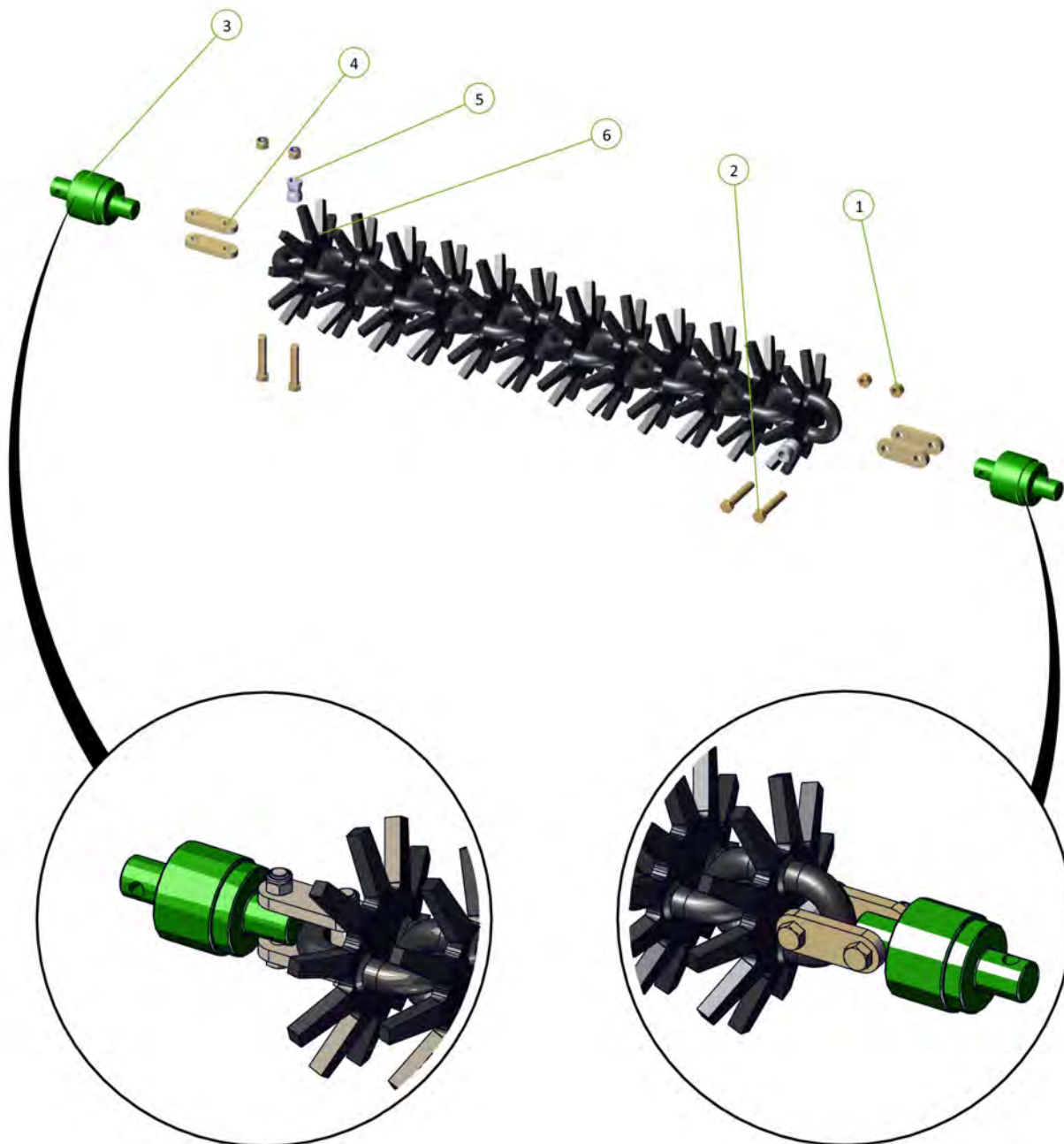
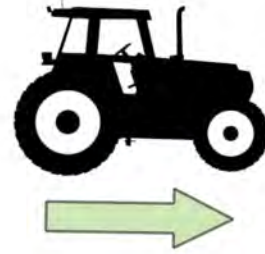
W36 Disc Chain

Item No.	Description	Number
1	Nyloc Nut M20	0221-NYL20
2	M20 x 110 Class 10.9 ZP Short Thread Bolt	0211-20110ST
3	20mm Bolt Swivel Unit	0802-PCHB55
4	Tie Plate Disc 20mm	0802-DCTP-20
5	Disc Chain Spacer	0801-253755
6	W36/25 Chain Link	0803-W36



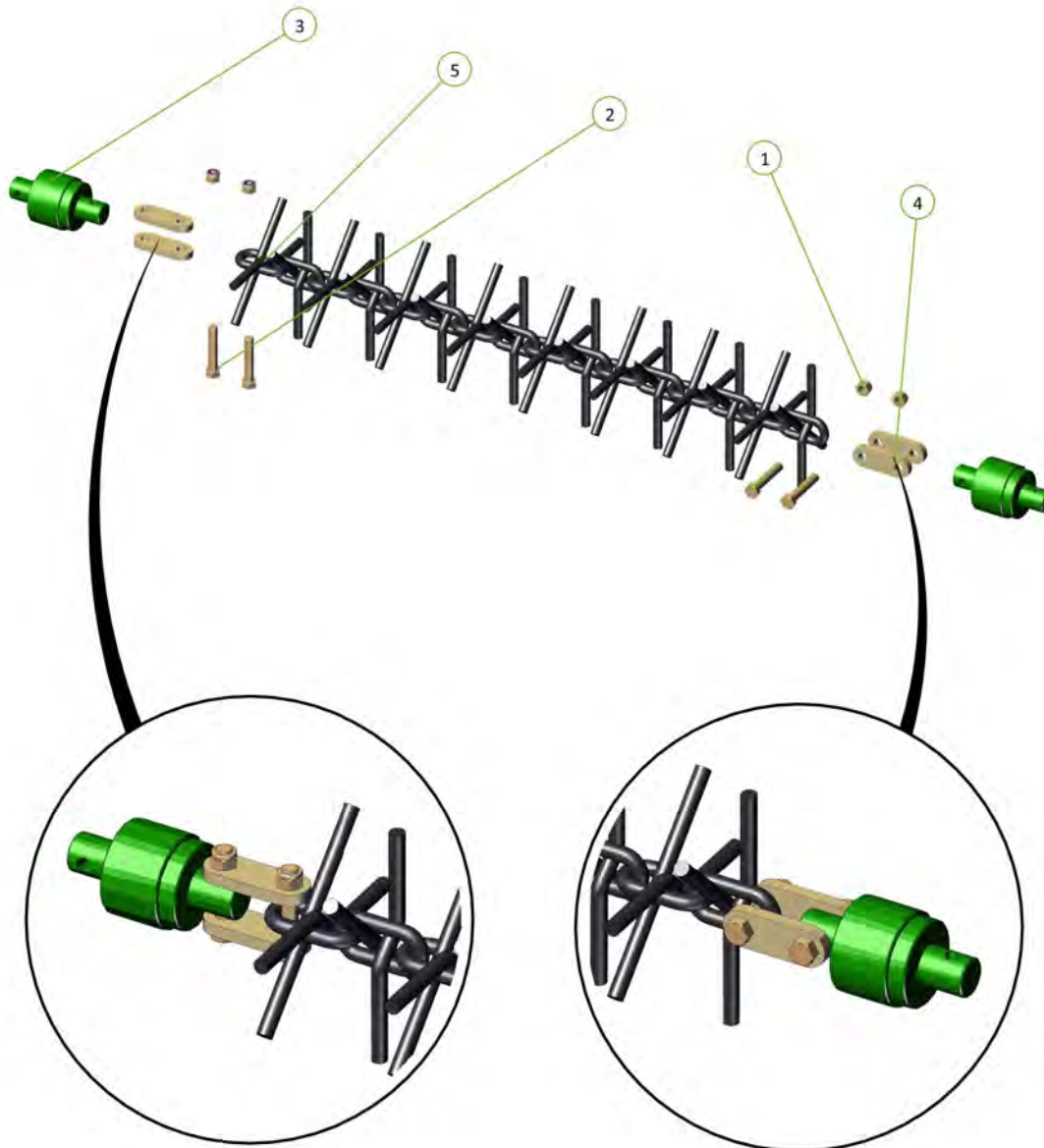
Spike Disc Chain

Item No.	Description	Number
1	Nyloc Nut M20	0221-NYL20
2	M20 x 110 Class 10.9 ZP Short Thread Bolt	0211-20110ST
3	20mm Bolt Swivel Unit	0802-PCHB55
4	Tie Plate For 20mm Bolt	0800-83.2
5	Disc Chain Spacer	0801-253755
6	10 Spike Disc Chain 49/27/5	0803-SD49



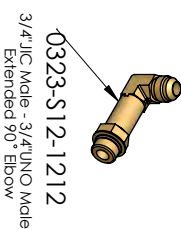
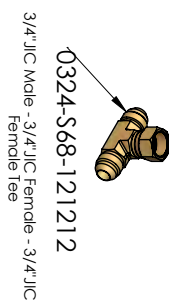
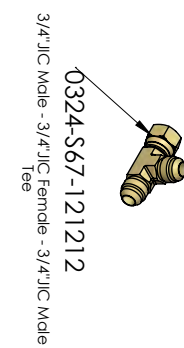
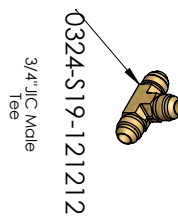
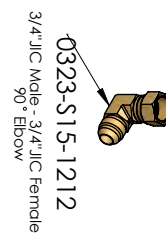
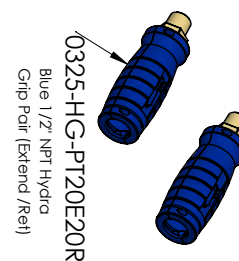
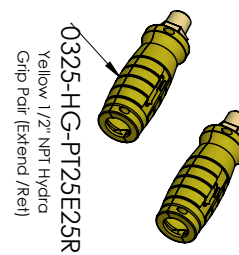
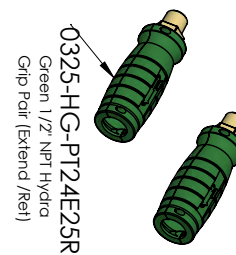
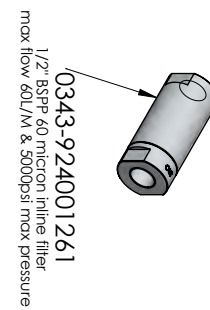
Prickle Chain

Item No.	Description	Number
1	Nyloc Nut M20	0221-NYL20
2	M20 x 110 Class 10.9 ZP Short Thread Bolt	0211-20110ST
3	20mm Bolt Swivel Unit	0802-PCHB55
4	0800-83.2	0800-83.2
5	Prickle Chain	0803-PCH

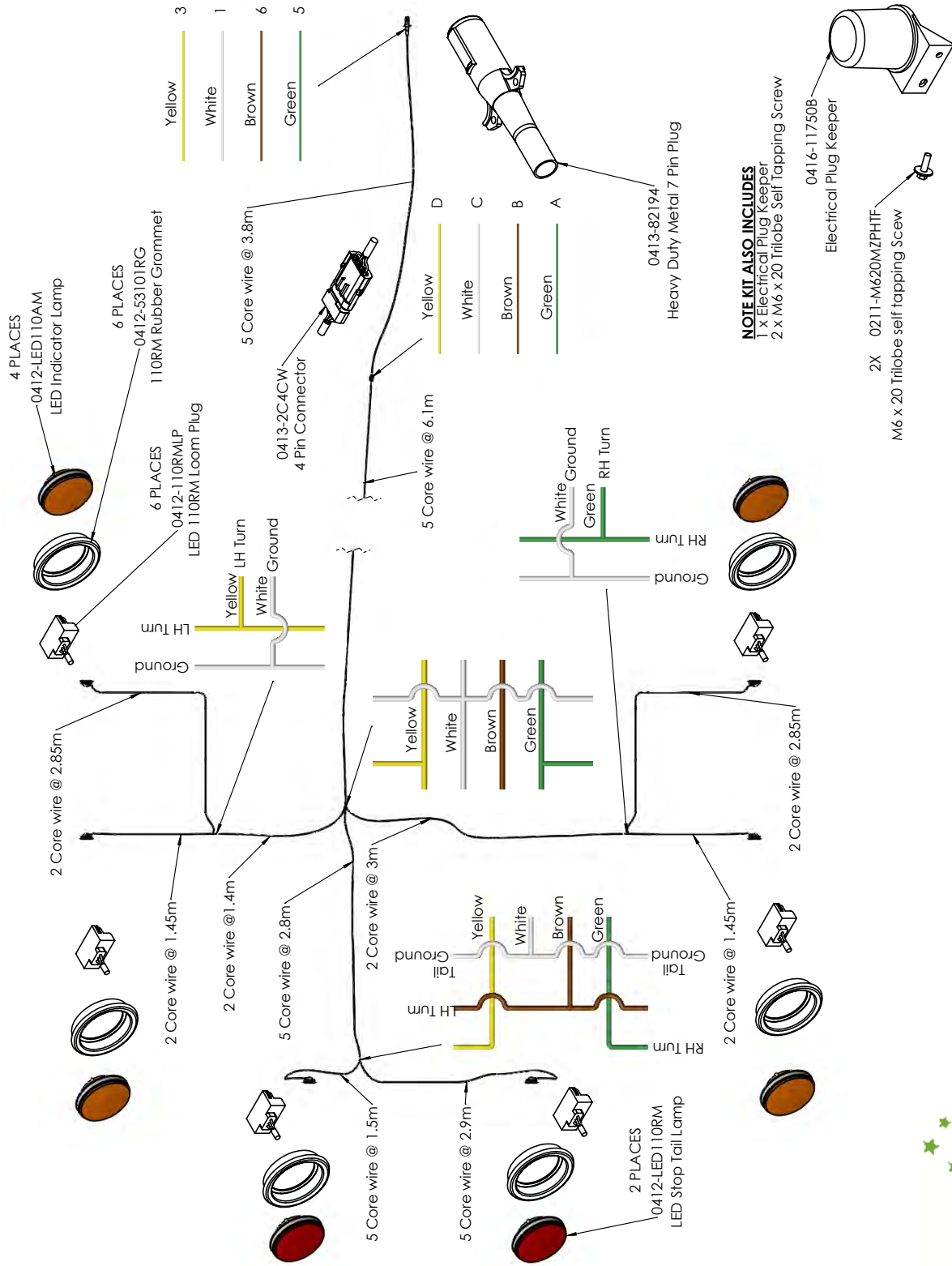


Section 6 - Diagrams

Hydraulic Fitting Information



Electrical Layout



Part Number	Description	For Machines Built:	Revision
0802-USLK30	US 30' Light Kit		B





Section 7 - Specifications

Operating speeds

Recommended operating speeds in normal conditions with all chain types	
Operating and working speeds	6-8 mph / 10-12 kph
Transporting / towing speed	15 mph / 25 kph

Tire pressure

Tire size	Ply	PSI	KPA
400/55-22.5	18	50	350
11L/15	10	44	300

3009 specifications

Model 3009	All measurements are a guide only and may be +/- 1"
Operating width	10 m / 33'
Transport width	3.5 m / 11' 5"
Transport height	4.1 m / 13' 5"
Transport length	12.01 m / 39' 5"

Disc Chain Lengths

Model 3009		Length	CL2	CL1	K4	W36	R300	SD49	Prickle chain
			CL2 disc chain also requires CL1 disc chain						
3009	Front right	18.8'/5.73m	CL2 - 25 CL1 - 2	35	36	34	46	46	64
	Front left	18.8'/5.74m	CL2 - 25 CL1 - 2	35	36	34	46	46	64
	Rear right	25.8'/7.86m	CL2 - 27 CL1 - 13	48	50	46	63	63	87
	Rear left	19'/5.80m	CL2 - 25 CL1 - 2	35	37	34	46	46	64
	Modules front	7.7'/2.35m	CL2 - 9 CL1 - 3	14	15	14	19	19	26
	Modules rear	6.7'/2.03m	CL2 - 8 CL1 - 2	12	13	12	16	16	22

For correct chain tension, chain links may need to be removed from the end of the chain as follows:

CL2 Disc Chain - unhook disc chain link/s from end of the disc chain

K4 Disc Chain - unhook disc chain link/s from end of the disc chain

CL1 Disc Chain - unhook disc chain link/s from end of the disc chain

SD49 Disc Chain - cut a disc chain link from the end of the disc chain

W36 Disc Chain - cut a disc chain link from the end of the disc chain

Prickle Chain - cut a prickle chain link from the end of the prickle chain

R300 Disc Chain - cut a disc chain link from the end of the disc chain

This QR code will take you to a short video on how to remove welded chain links





Section 8 - Operation

Basic Operation

Unfolding:

1. Walk around and inspect the machine.
 - a. Check that chains are not hooked on framework
 - b. Check swivel units are in place and not broken
 - c. Check that height adjusting chains have not fallen out of their slotted plates during transport.
 - d. Ensure front lift cylinder depth stops are fully engaged on cylinder shaft.
2. Lower front A frame to working height.
3. Unfold wings holding the hydraulic lever until both the main center cylinder pins have centered in their slots. (If chain pulls tight during unfold, stop and inspect if chain is hooked)
4. Lower rear tail by holding hydraulic lever until tail and modules are completely lowered to working position.
5. Walk around and check that all chain links are straight and that working height of all swivels is correct for field conditions. Adjust if necessary.
6. Move off with all chains in working position. If necessary it is acceptable to raise front A frame to transport height. This will lift the front chains off the ground and reduce the load on the tractor. Lower the front A frame once moving satisfactorily.

Folding:

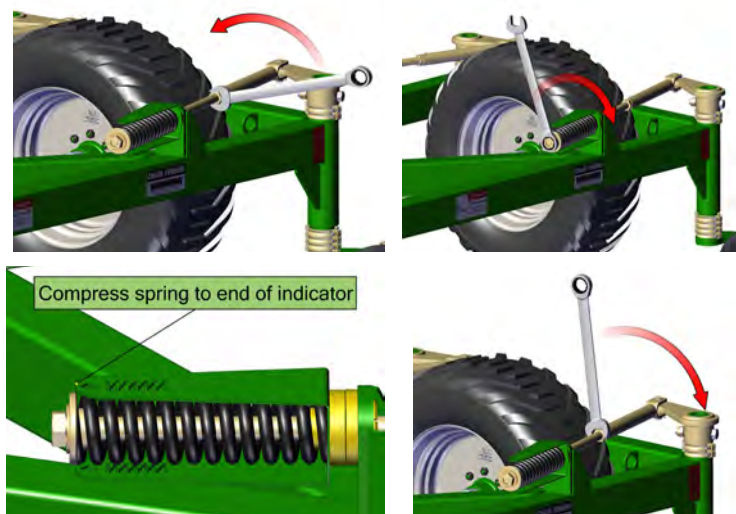
1. Lower the front A frame at working height. (This is important to ensure that all chains locate correctly in their transport rests).
2. Raise the Rear Tail and modules by holding the hydraulic lever until they come to a complete stop.
3. Fold the wings. They should move as follows; main center cylinders will retract, one or both, until the wings stand vertically. The left outer wing then the right outer wing will fold down.
4. Raise front A frame to transport height.
5. Walk around and check that chains have located correctly in transport rests.

Chain Tension - Wings

- Use the spanner supplied to loosen the lock nut adjacent to the tensioner assembly body.
- Turn the module tension rod clockwise to compress the coil spring to 330mm. Correct tension is achieved when spring retains its set length when operator rolls the chain fore and aft on the ground.
- Retighten the lock nut.
- When less than 25mm of thread remains visible on the adjustor bolt then a link must be removed from the chain.

Spring Compression Length

Compress spring to the end of the indicator as shown, 13"/330mm



When less than 4" /100mm of thread remains visible on the adjustor bolt then a link must be removed from the chain.

Chain Tension - Modules

1. Loosen the lock nut on the draw bolt.
2. Tighten the adjusting nut clockwise until the outer face of the spring retaining washer is pushed with the body of the module tensioning unit.
3. When 7-7/8" / 200mm or more of tensioner thread is visible then one link must be removed from the chain set to maintain correct tension adjustment. Spring length of 330mm / 1' 1" .
4. Retighten the lock nut.



Importance of chain tension

Operational

Chain tension is critical to achieve a smooth and level seedbed. A correctly tensioned, monitored and maintained chain will deliver the results you need. Incorrect chain tension can lead to:

- Uneven results across the cut width of the machine
- Uneven weed control
- Unsatisfactory incorporation
- Ineffective levelling
- Accelerated or premature chain link wear (not covered by warranty)
- Chains failing to engage with transport locator's when folded
- Machine damage when folding or unfolding
- Uneven field surface with ridges and furrows being created.

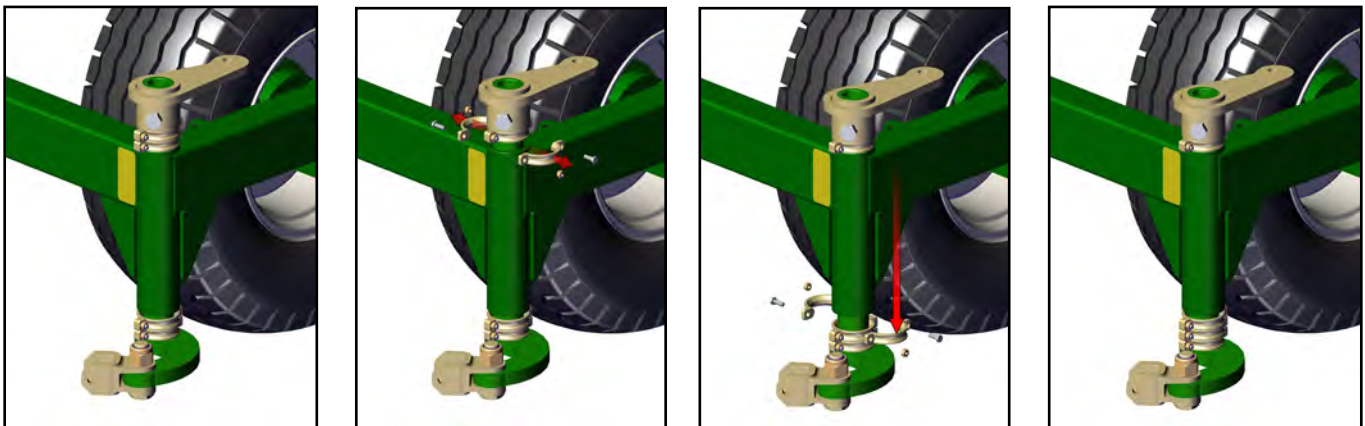
A correctly adjusted machine will not cause this problem.

Correct Chain Height Adjustment

To adjust the swivel height at the wings, relocate one of the spacers either above or below the fixed mounting tube. Each Dropleg has four pairs of 25mm cast spacers. The most common set up is to have two pairs of cast spacers on the bottom and two pairs of cast spacers on the top. Below is the process to adjust the Dropleg height.

1	Loosen chain tension completely
2	Undo 2 x M10 bolts from corresponding spacer set and take the two halves off of the drop leg tube
3	Replace it in the selected position after raising or lowering the drop leg
4	Reinstall the M10 bolts and re-tension the chain

It is possible to install all spacers either above or below the mounting tube giving a maximum of 4" (100mm) of adjustment.



Lined writing area consisting of 25 horizontal lines.

KEASM-3009-R-01012024



Phone +61 8 8667 2253
Email sales@kellytillage.com
kellytillage.com

Booleroo (Head Office)
684 Kelly Road,
Booleroo Centre SA 5482

Adelaide Office
28 Greenhill Road,
Wayville SA 5034

