



# Diamond Chain Harrow

## Parts Manual

### Model 40

Revision C

Kelly Engineering  
PO Box 100  
Boomeroo Centre SA 5482  
Australia

Phone: + 61 8 8667 2253

Fax: + 61 8 8667 2250

Email: [sales@kellyengineering.com.au](mailto:sales@kellyengineering.com.au)

Website (US): [www.kellyharrows.com](http://www.kellyharrows.com)

Website (Australia): [www.kellyengineering.com.au](http://www.kellyengineering.com.au)



# Thank you for choosing a Kelly Engineering product

We trust that you find the following manual clear and easy to follow. If you should require additional customer support or assistance, please do not hesitate to contact us.

Spare parts can be purchased, as required, through your local dealer or by contacting Kelly Engineering Australia or in the United States, Hood & Company.

Kelly Engineering welcomes feedback. Should you have any difficulties that you wish to raise, suggestions for improvement or modifications that you feel would enhance our products we look forward to hearing from you.

## **Australia**

### **Kelly Engineering**

**PO Box 100**

**Booleroo Centre SA 5482**

**Phone:** + 61 8 8667 2253

**Fax:** + 61 8 8667 2250

**Email:** [sales@kellyengineering.com.au](mailto:sales@kellyengineering.com.au)

**Spare Parts:** [parts@kellyengineering.com.au](mailto:parts@kellyengineering.com.au)

**Website:** [www.kellyengineering.com.au](http://www.kellyengineering.com.au)

## **United States**

### **Kelly Engineering**

**526 1st Street**

**PO Box 121**

**New Glarus WI 53574**

**Phone:** 608 527 2386

**Mobile:** 316 304 6178

**Email:** [sales@kellyharrows.com](mailto:sales@kellyharrows.com)

**Website:** [www.kellyharrows.com](http://www.kellyharrows.com)

## **Spare Parts**

### **Hood & Company Inc**

**Springfield MO**

**Phone:** 417 865 2100

**Fax:** 417 865 2105

**Email:** [hoodco@hoodco.com](mailto:hoodco@hoodco.com)

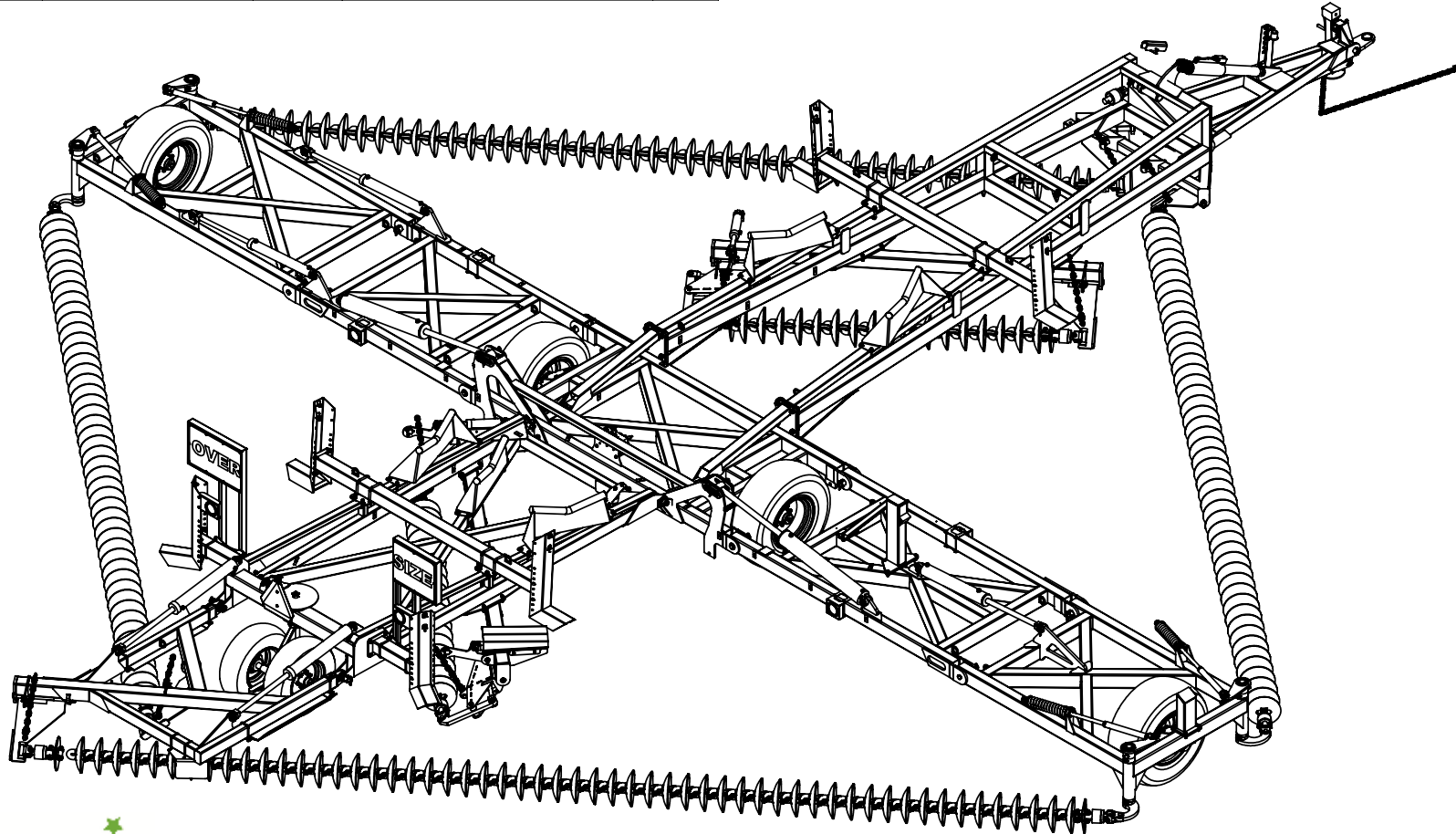
# Model 40 Parts Manual index

- 1. 0840-100 (40' Kelly Diamond Harrow)**
- 2. 0810-08A (Drawbar assembly)**
- 2.1. 0311-6002 (Hyd Cylinder 3 x 12 Extended)
  - 2.2. 0311-6357 (Hyd Cylinder 4 x 12 Extended)
  - 2.3. 0810-09A (Tow Hitch Assembly)
  - 2.4. 0810-16 (Safety Chain Assembly)
  - 2.5. 0810-22A (Parallel Arm Assembly)
  - 2.6. 0810-31A (Jack Assembly)
  - 2.7. 0810-151A (Hose Post Assembly)
- 3. 0810-10A (Rear Tail Assembly)**
  - 3.1. 0802-PCHB55 (20mm Bolt Swivel Unit)
  - 3.2. 0810-220 (Tail Chain Stop Guard Assembly)
  - 3.3. 0810-498 (Angled Chain Guard Assembly)
  - 3.4. 0810-235 (Rear Tail Guard Assembly)
- 4. 0810-28-40A (40-45' Front Module Assembly)**
  - 4.1. 0311-5041 (Hyd Cylinder 2.5" x 6" Side Port)
  - 4.2. 0802-PCHB55 (20mm Bolt Swivel Unit)
  - 4.3. 0810-103FA-40-45 (40/45' Front Module Tension Assembly)
- 5. 0810-29-40A (40-45' Rear Module Assembly)**
  - 5.1. 0311-5041 (Hyd Cylinder 2.5" x 6" Side Port)
  - 5.2. 0802-PCHB55 (20mm Bolt Swivel Unit)
  - 5.3. 0810-103RA-40-45 (40/45' Rear Module Tension Assembly)
- 6. 0840-01A (40' Centre Frame Assembly)**
  - 6.1. 0733-SH27596880 (2.75" R 6 Tonne 8 on 8"PCD Hub & Stub Complete)
  - 6.2. 0733- LG6080067 (2.75"R C/W 6 Tonne 8 on 8"PCD complete assembly inc GS)
  - 6.3. 0802-690430 (Dual Circuit 3 Stage Sequence Manifold V9)
- 7. 0840-02A (40' Front A-Frame Assembly)**
  - 7.1. 0802-PCHB55 (20mm Bolt Swivel Unit)
  - 7.2. 0810-17-40FA (40' Front Chain Carrier Assembly)
  - 7.3. 0810-18R-FA (Right Hand Front M Assembly)
  - 7.4. 0810-19L-FA (Left Hand Front M Assembly)
- 8. 0840-03A (40' Rear A-Frame Assembly)**
  - 8.1. 0311-2958 (Hyd Cylinder 3.5" x 24")
  - 8.2. 0802-230 (Rear A-Frame Chain Shield Assembly)
  - 8.3. 0810-03EB (Rear A-Frame Export Sign/Light Brackets)
  - 8.4. 0810-11-70A (70mm Jockey Wheel Assembly)
    - 8.4.1. 0733-K5083T66S (Axle 2"R 3T 6 on 6"PCD 330 OHF)
    - 8.4.2. 0733- LG8880093 (Axle 2"R 3T 6 on 6" PCD 330 OHF Complete assembly inc GS)
  - 8.5. 0810-12CAL (Jockey Wheel Brake Caliper)
  - 8.6. 0810-17-40RA (40' Rear Chain Carrier Assembly)
  - 8.7. 0810-18R-RA (Left Hand Rear M Assembly)
  - 8.8. 0810-19A (Centre Rear M Assembly)
  - 8.9. 0810-19L-RA (Right Hand Rear M Assembly)
  - 8.10. 0810-109A (Outrigger Assembly)
  - 8.11. 0810-110A (LH Oversize Sign Assembly)
  - 8.12. 0810-111A (RH Oversize Sign Assembly)
- 9. 0840-04A (40' RH Inner Wing Assembly)**
  - 9.1. 0311-3786 (4" x 24" Hydraulic Cylinder)
  - 9.2. 0311-5040 (5" x 30" Hydraulic Cylinder)
  - 9.3. 0810-04 (Wing Light Assembly)
- 10. 0840-05A (40' LH Inner Wing Assembly)**
  - 10.1. 0311-2957 (3" x 24" Hydraulic Cylinder)
  - 10.2. 0311-5040 (5" x 30" Hydraulic Cylinder)
  - 10.3. 0810-04 (Wing Light Assembly)
- 11. 0840-06A (40' RH Outer Wing Assembly)**
  - 11.1. 0733-SH27596880 (2.75"R 6 Tonne 8 on 8"PCD Hub & Stub Complete)
  - 11.2. 0733- LG6080067 (2.75"R C/W 6 Tonne 8 on 8"PCD Complete assembly inc GS)
  - 11.2. 0802-PCHB55 (20mm Bolt Swivel Unit)
  - 11.3. 0802-PCHTAA (Chain Tension Assembly)
- 12. 0840-07A (40' LH Outer Wing Assembly)**
  - 12.1. 0733-SH27596880 (2.75"R 6 Tonne 8 on 8"PCD Hub Stub Complete)
  - 12.2. 0733- LG6080067 (2.75"R C/W 6 Tonne 8 on 8"PCD complete assembly inc GS)
  - 12.3. 0802-PCHB55 (20mm Bolt Swivel Unit)
  - 12.4. 0802-PCHTAA (Chain Tension Assembly)
- 13. 0803-40-FL&R (40' Front Chain)**
- 14. 0803-40-LHR (40' Left Hand Rear Chain)**
- 15. 0803-45-RHR (40' Right Hand Rear Chain)**
- 16. 0803-40-MOD (30-45' Module Chain)**
- 17. Appendix**
  - 17.1. Hydraulic Fittings Parts Information
  - 17.2. Electrical
  - 17.3. Swivel Unit Rebuild
  - 17.4. Drop Leg Rebuild
  - 17.5. Swivel Ball Joints

# Parts

ITEM NO.	PART NUMBER	Revision	DESCRIPTION	QTY.
1	0810-08A	B	Drawbar Assembly	1
2	0810-10A	G	Rear Tail Assembly	1
3	0810-28-40A	B	40-45' Front Module Assembly	1
4	0810-29-40A	A	40/45' Rear Module Assembly	1
5	0840-01A		40' Centre Frame Assembly	1
6	0840-02A		40' Front A-Frame Assembly	1
7	0840-03A		40' Rear A-Frame Assembly	1
8	0840-04A		40' RH Inner Wing Assembly	1
9	0840-05A		40' LH Inner Wing Assembly	1
10	0840-06A		40' RH Outer Wing Assembly	1
11	0840-07A		40' LH Outer Wing Assembly	1

ITEM NO.	PART NUMBER	Revision	DESCRIPTION	QTY.
12	0803-40-FL&R		40' Front Chain	2
13	0803-40-LHR		40' Left Hand Rear Chain	1
14	0803-40-RHR		40' Right Hand Rear Chain	1
15	0803-40-MOD		30-45' Module Chain	2



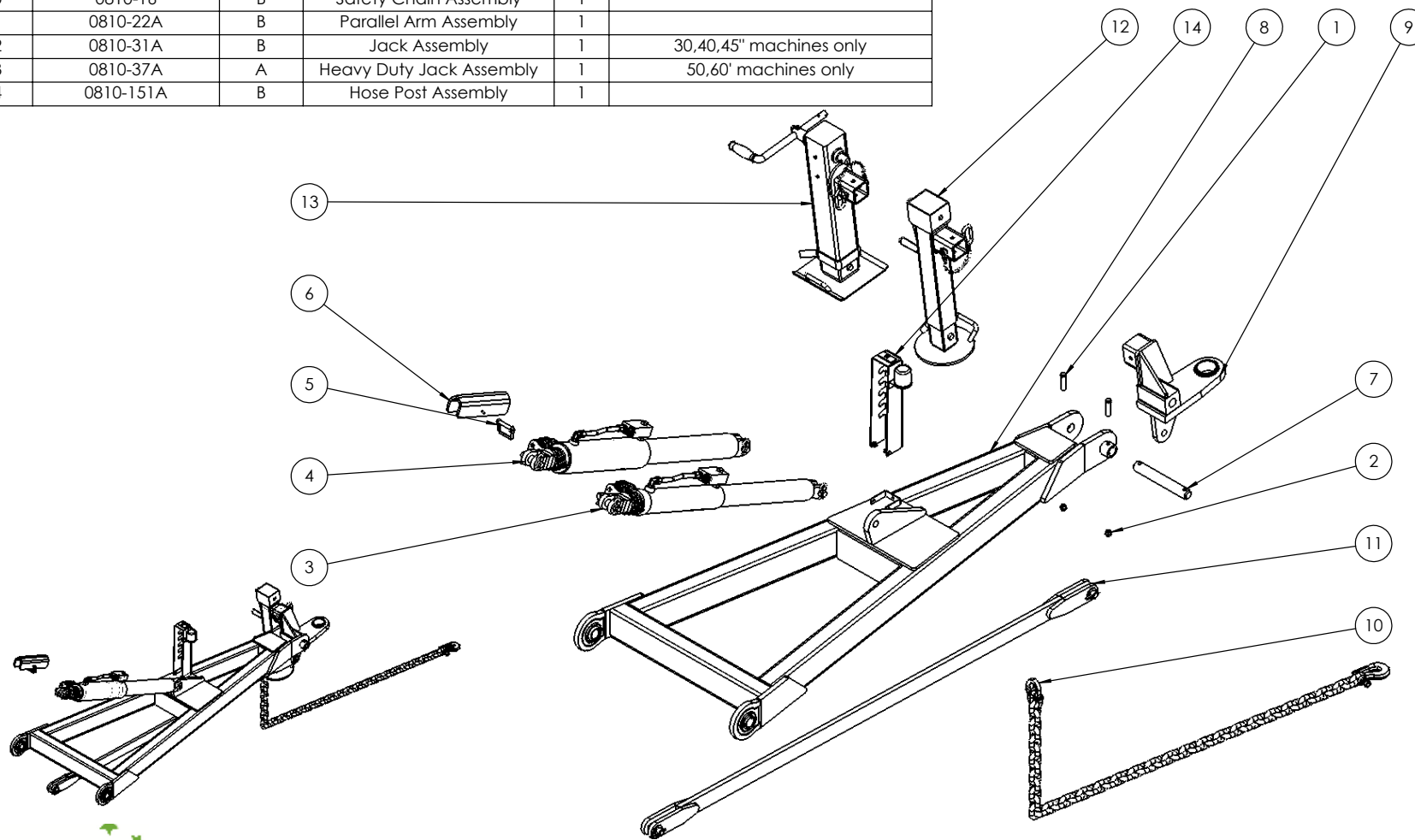
Part Number  
**0840-100**

Description  
40' Kelly Diamond Harrow

For Machines Built:

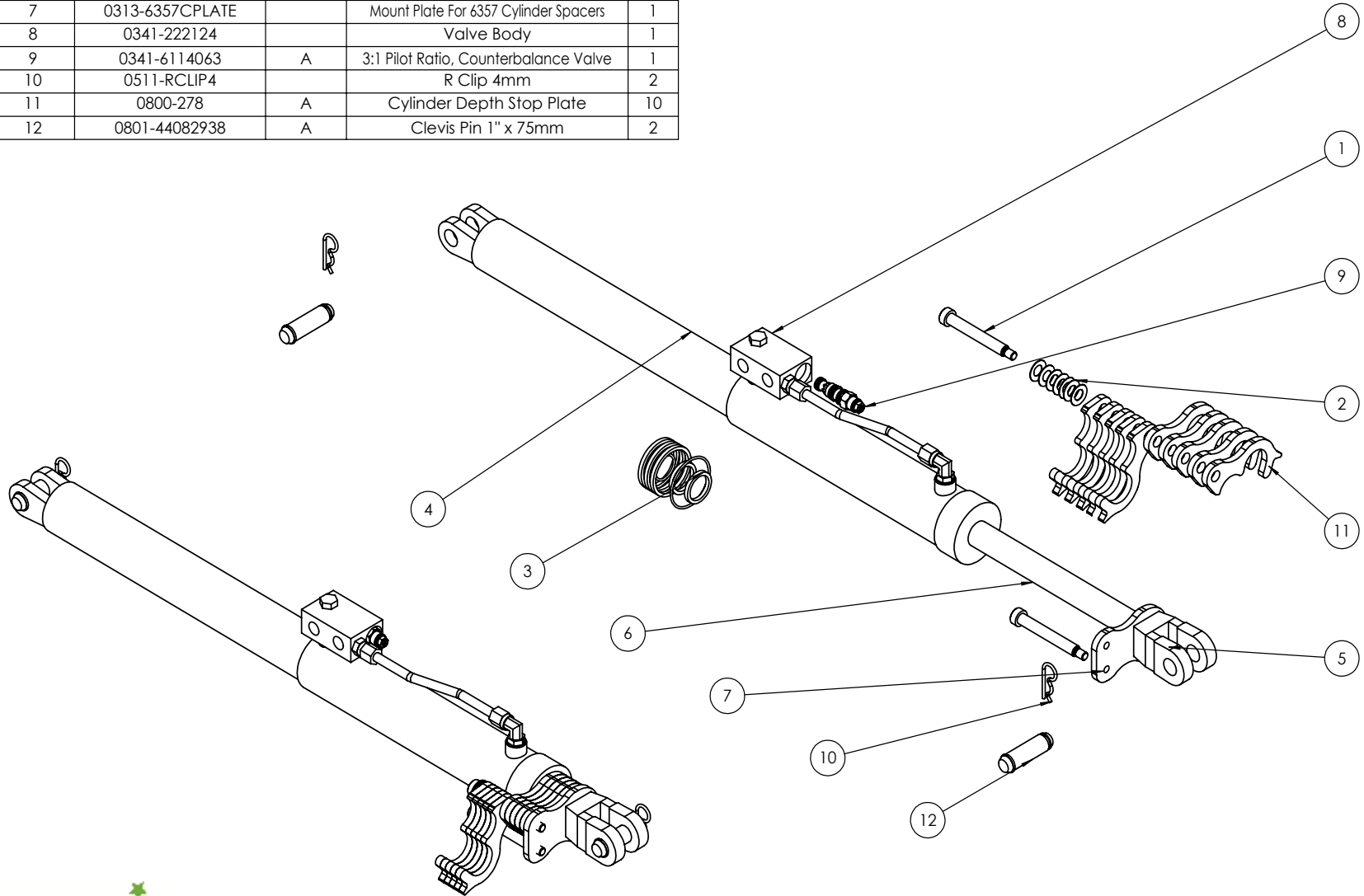
Revision

ITEM NO.	PART NUMBER	Revision	DESCRIPTION	QTY.	Notes
1	0211-1265	A	M12 x 65 grade 8.8 ZP Bolt	2	
2	0221-NYL12		Nyloc Nut M12	2	
3	0311-6002	A	Hyd Cylinder 3 x 12 Extended	1	30,40,45' Domestic Machines only
4	0311-6357	A	Hyd Cylinder 4 x 12 Extended	1	All Export Machines & 50,60' Domestic
5	0511-PINLOOPSQ863	A	Square Loop Pin M8 x 63	1	
6	0800-212.1	B	Cylinder Safety Stop	1	
7	0801-10-06	A	Tow Hitch Pivot Pin	1	
8	0810-08	D-0	Draw Bar Frame	1	
9	0810-09A	B	Tow Hitch Assembly	1	
10	0810-16	B	Safety Chain Assembly	1	
11	0810-22A	B	Parallel Arm Assembly	1	
12	0810-31A	B	Jack Assembly	1	30,40,45" machines only
13	0810-37A	A	Heavy Duty Jack Assembly	1	50,60' machines only
14	0810-151A	B	Hose Post Assembly	1	



Part Number <b>0810-08A</b>	Description <b>Drawbar Assembly</b>	For Machines Built: (08033-60)-	Revision <b>B</b>
--------------------------------	--	------------------------------------	----------------------

ITEM NO.	PART NUMBER	Revision	DESCRIPTION	QTY.
1	0211-12110SHSCREW	A	Shoulder Screw M12 x 16 x 110	2
2	0231-SPRINGCUP	A	Compression Cup Washer	7
3	0312-EF0054		Seal Kit 3"	1
4	0313-6002B		3" x 12" EXT Cylinder Barrel	1
5	0313-6002C		Clevis For 2957, 5041, 6002, 2958 Cylinders	1
6	0313-6002R		3" x 12" Cylinder Rod	1
7	0313-6357CPLATE		Mount Plate For 6357 Cylinder Spacers	1
8	0341-222124		Valve Body	1
9	0341-6114063	A	3:1 Pilot Ratio, Counterbalance Valve	1
10	0511-RCLIP4		R Clip 4mm	2
11	0800-278	A	Cylinder Depth Stop Plate	10
12	0801-44082938	A	Clevis Pin 1" x 75mm	2



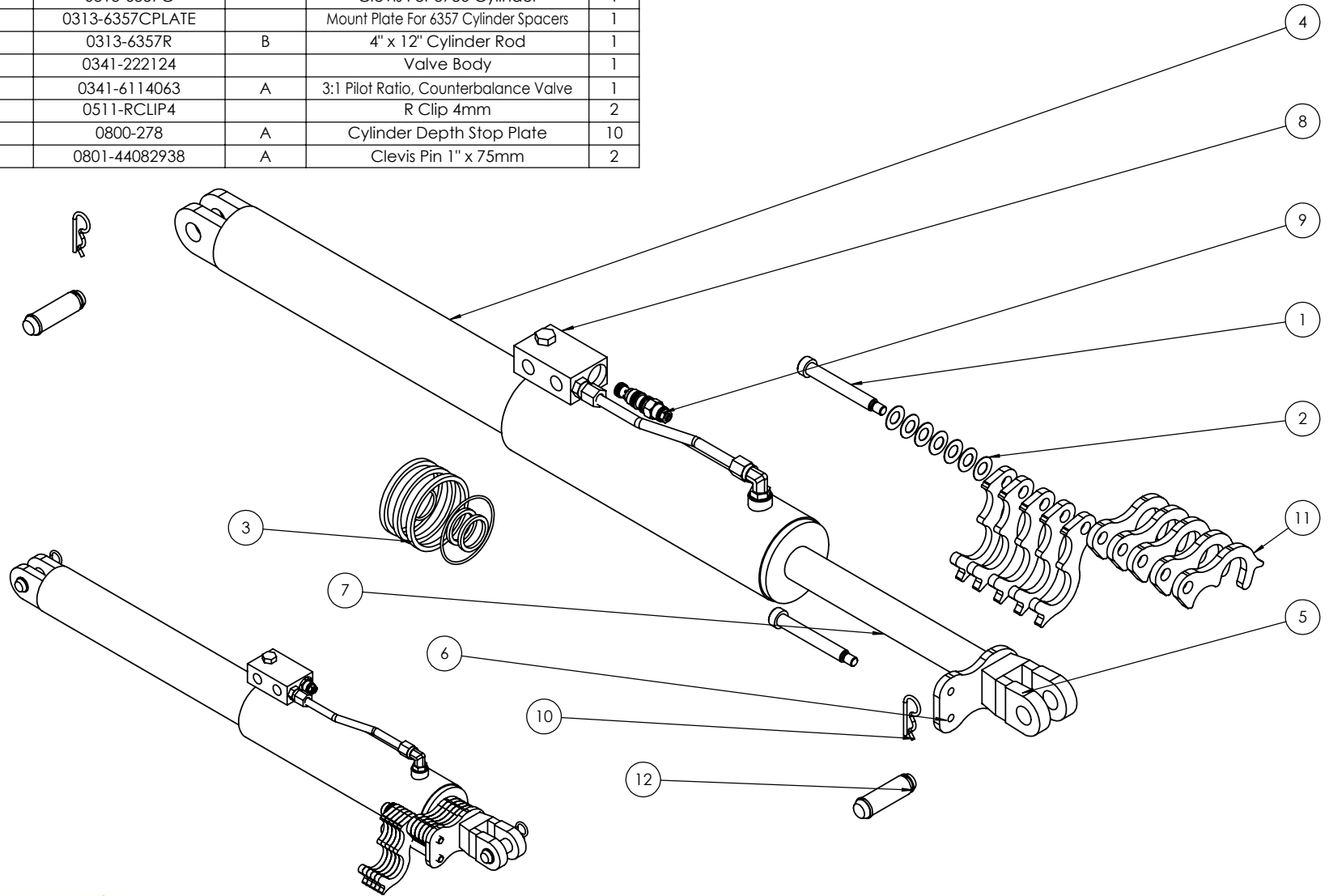
Part Number  
**0311-6002**

Description  
**Hyd Cylinder 3 x 12 Extended**

For Machines Built:  
All (2008)-

Revision  
**A**

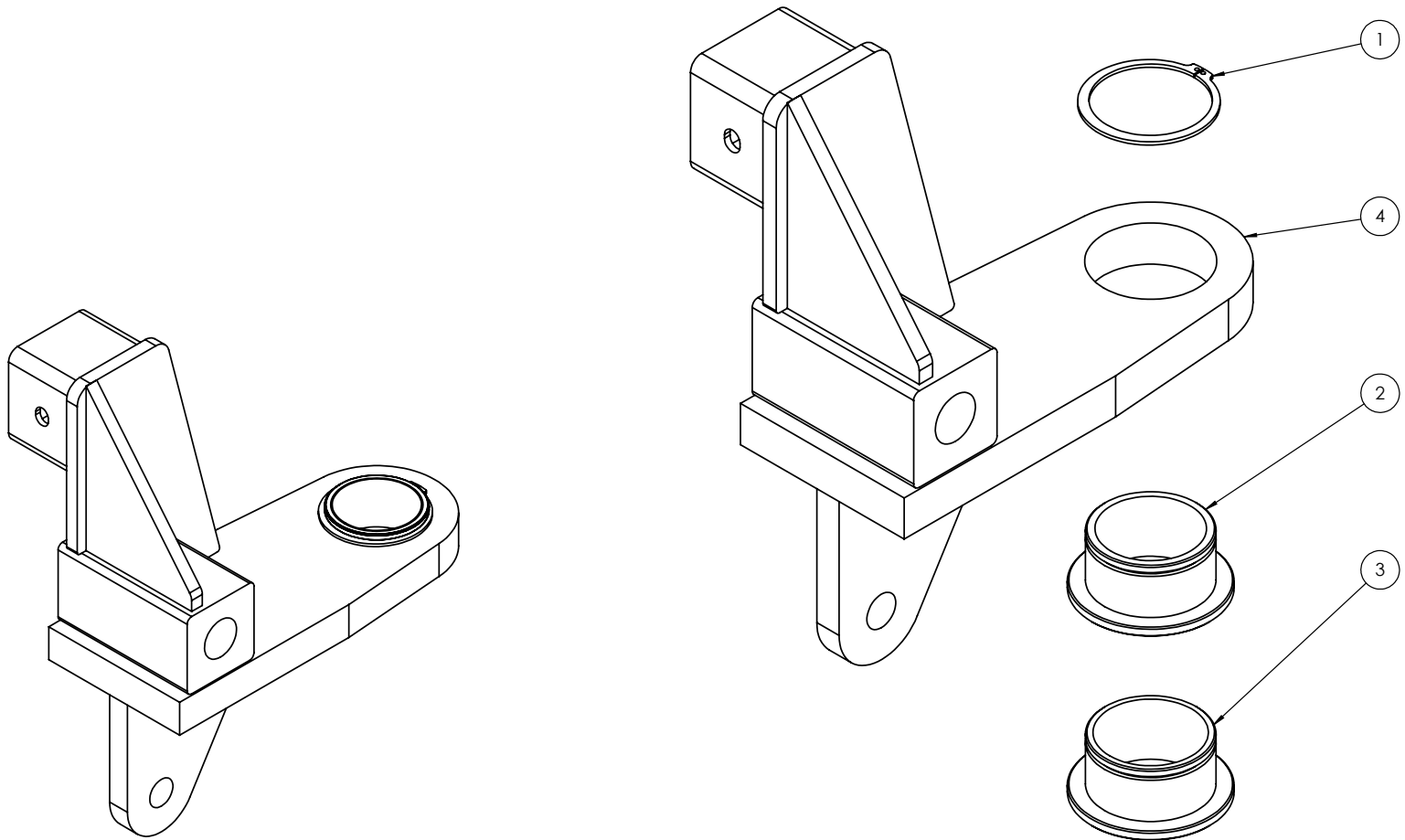
ITEM NO.	PART NUMBER	Revision	DESCRIPTION	QTY.
1	0211-12110SHSCREW	A	Shoulder Screw M12 x 16 x 110	2
2	0231-SPRINGCUP	A	Compression Cup Washer	7
3	0312-EF0316		Seal Kit 4"	1
4	0313-6357B		4" x 12" EXT Cylinder Barrel	1
5	0313-6357C		Clevis For 3786 Cylinder	1
6	0313-6357CPLATE		Mount Plate For 6357 Cylinder Spacers	1
7	0313-6357R	B	4" x 12" Cylinder Rod	1
8	0341-222124		Valve Body	1
9	0341-6114063	A	3:1 Pilot Ratio, Counterbalance Valve	1
10	0511-RCLIP4		R Clip 4mm	2
11	0800-278	A	Cylinder Depth Stop Plate	10
12	0801-44082938	A	Clevis Pin 1" x 75mm	2



Part Number <b>0311-6357</b>	Description Hyd Cylinder 4 x 12 Extended	For Machines Built: 50/60 (1110200-60)-	Revision <b>A</b>
---------------------------------	---	--	----------------------



ITEM NO.	PART NUMBER	Revision	DESCRIPTION	QTY.	NOTES
1	0172-D1400-0820	A	Criclip External 82mm	1	
2	0801-KE-0905-1-B	A	Hardened Tow Hitch Bush 2 1/4"	1	As Standard
3	0801-KE-0905-1-C	A	Hardened Tow Hitch Bush 2 1/2"	1	Optional Upgrade
4	0810-09	C	Tow Hitch	1	



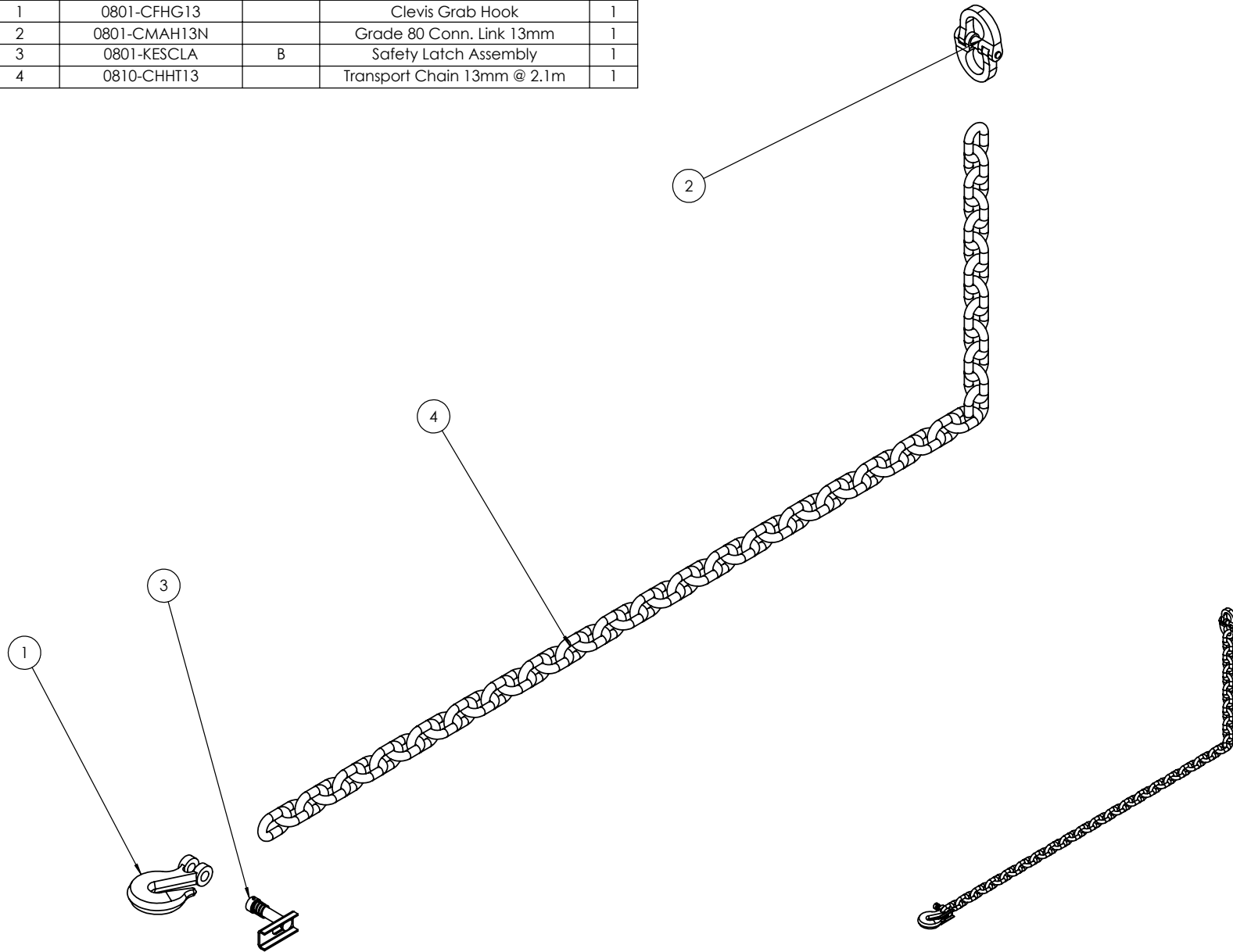
Part Number  
**0810-09A**

Description  
**Tow Hitch Assembly**

For Machines Built:  
01/02/2012 -

Revision

ITEM NO.	PART NUMBER	Revision	DESCRIPTION	QTY.
1	0801-CFHG13		Clevis Grab Hook	1
2	0801-CMAH13N		Grade 80 Conn. Link 13mm	1
3	0801-KESCLA	B	Safety Latch Assembly	1
4	0810-CHHT13		Transport Chain 13mm @ 2.1m	1



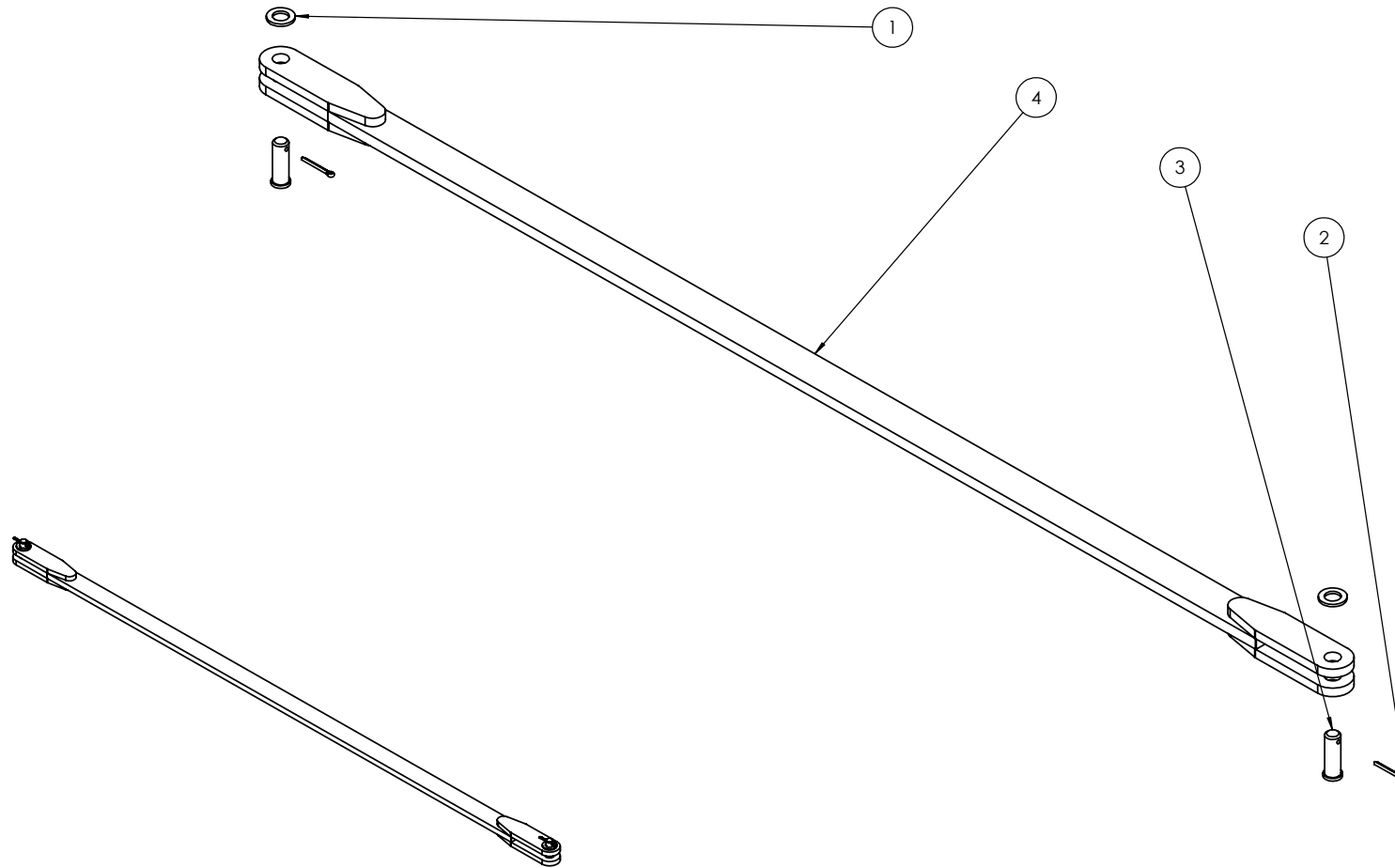
Part Number  
**0810-16**

Description  
**Safety Chain Assembly**

For Machines Built:  
All (2008)-

Revision  
**B**

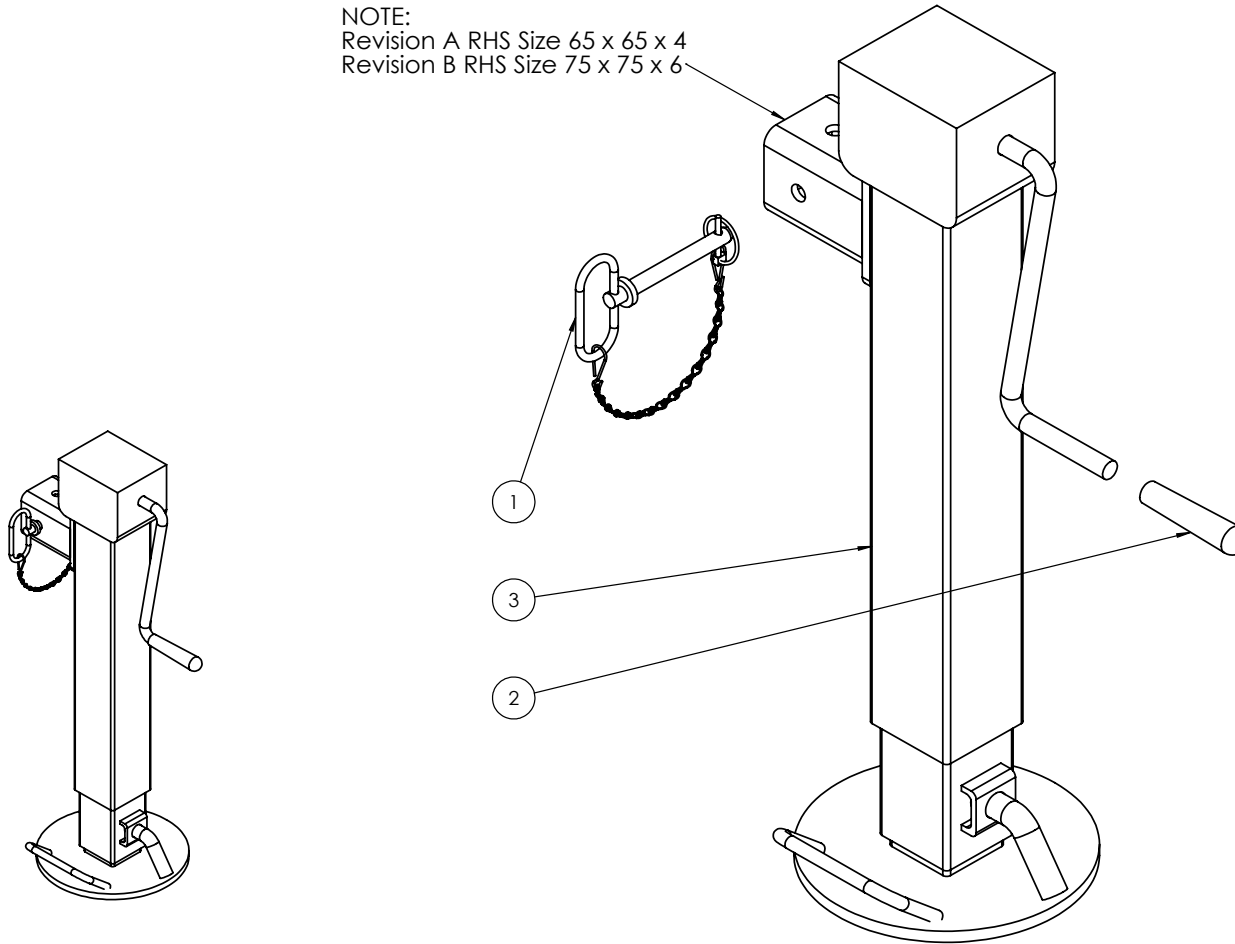
ITEM NO.	PART NUMBER	Revision	DESCRIPTION	QTY.
1	0231-F24		Washer Flat M24	2
2	0261-PINC550	A	Cotter Pin M5 x 50	2
3	0801-KE0307-1	A	Clevis Pin 25mm x 75mm	2
4	0810-22	D-0	Parallel Arm	1



Part Number <b>0810-22A</b>	Description <b>Parallel Arm Assembly</b>	For Machines Built: (08033-60)-	Revision <b>B</b>
--------------------------------	---	------------------------------------	----------------------

ITEM NO.	PART NUMBER	Revision	DESCRIPTION	QTY.
1	0801-B3077	A	Jack Pin	1
2	0801-DG7063SFC-H	A	Jack Handle	1
3	0810-31	D-0	Jack Assembly	1

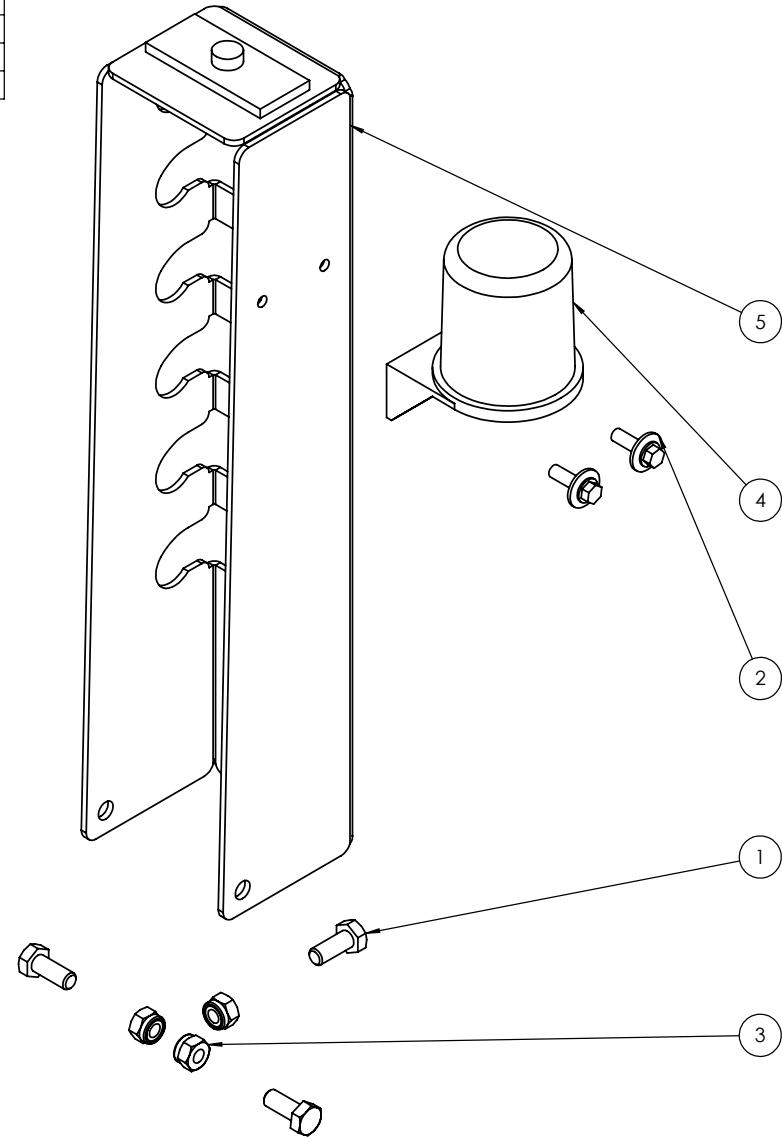
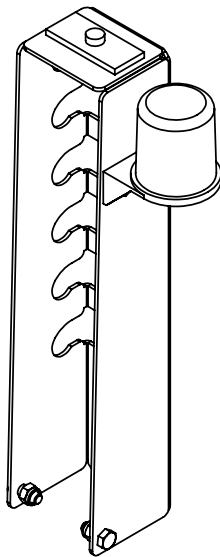
NOTE:  
Revision A RHS Size 65 x 65 x 4  
Revision B RHS Size 75 x 75 x 6



Part Number <b>0810-31A</b>	Description <b>Jack Assembly</b>	For Machines Built: 1/1/2013	Revision <b>B</b>
--------------------------------	-------------------------------------	---------------------------------	----------------------

ITEM NO.	PART NUMBER	Revision	DESCRIPTION	QTY.
1	0211-820		M8 x 20 grade 8.8 ZP Bolt	3
2	0211-M620MZPHTF	E	M6 x 20 Trilobe self tapping ScREW	2
3	0221-NYL8		Nyloc Nut M8	3
4	0416-11750B	E	Electrical Plug Keeper	1
5	0810-151	B	Hose Post	1

E = For Export machines only



Part Number  
**0810-151A**

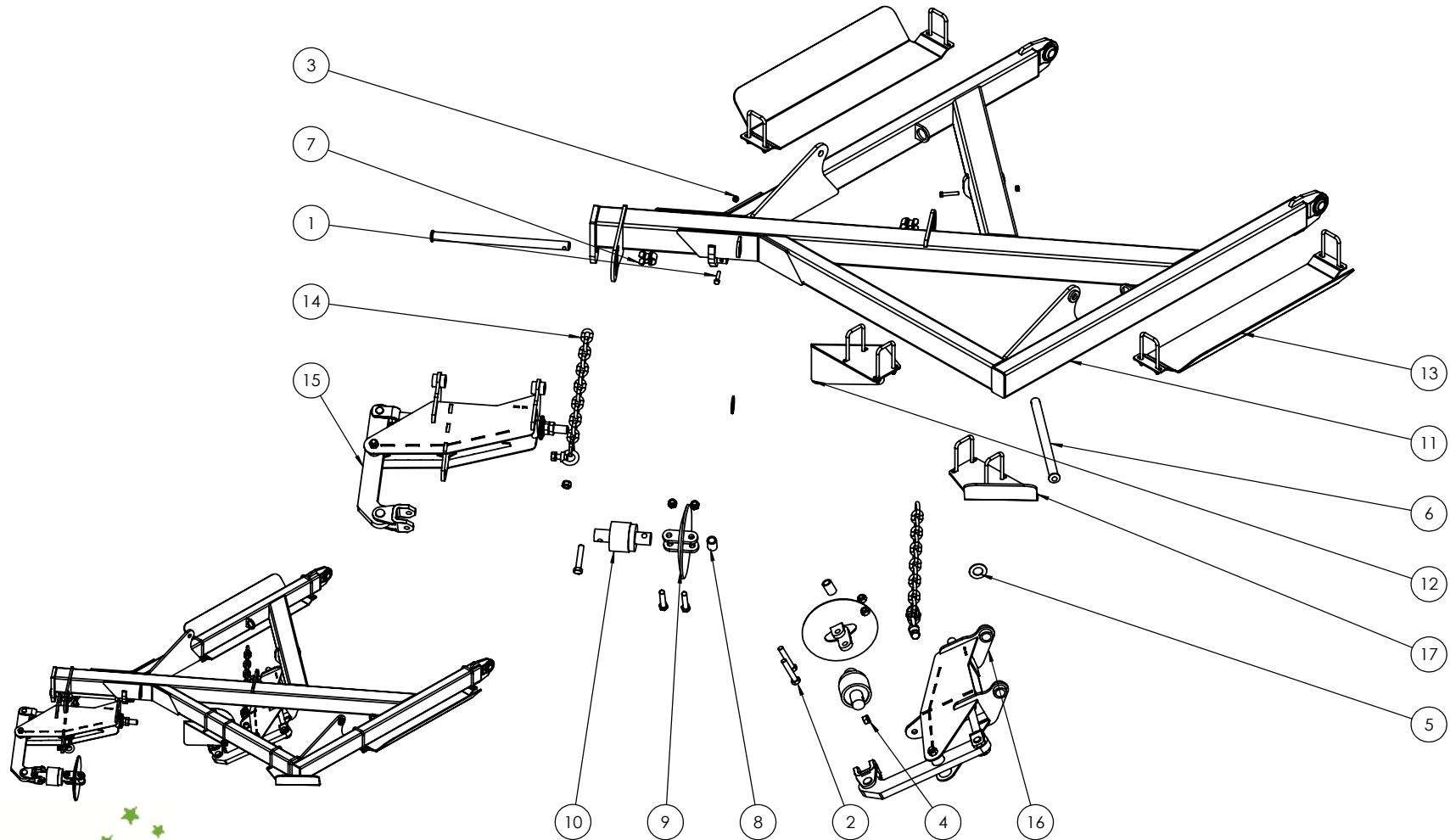
Description  
**Hose Post Assembly**

For Machines Built:  
(0805-45R)-

Revision  
**B**

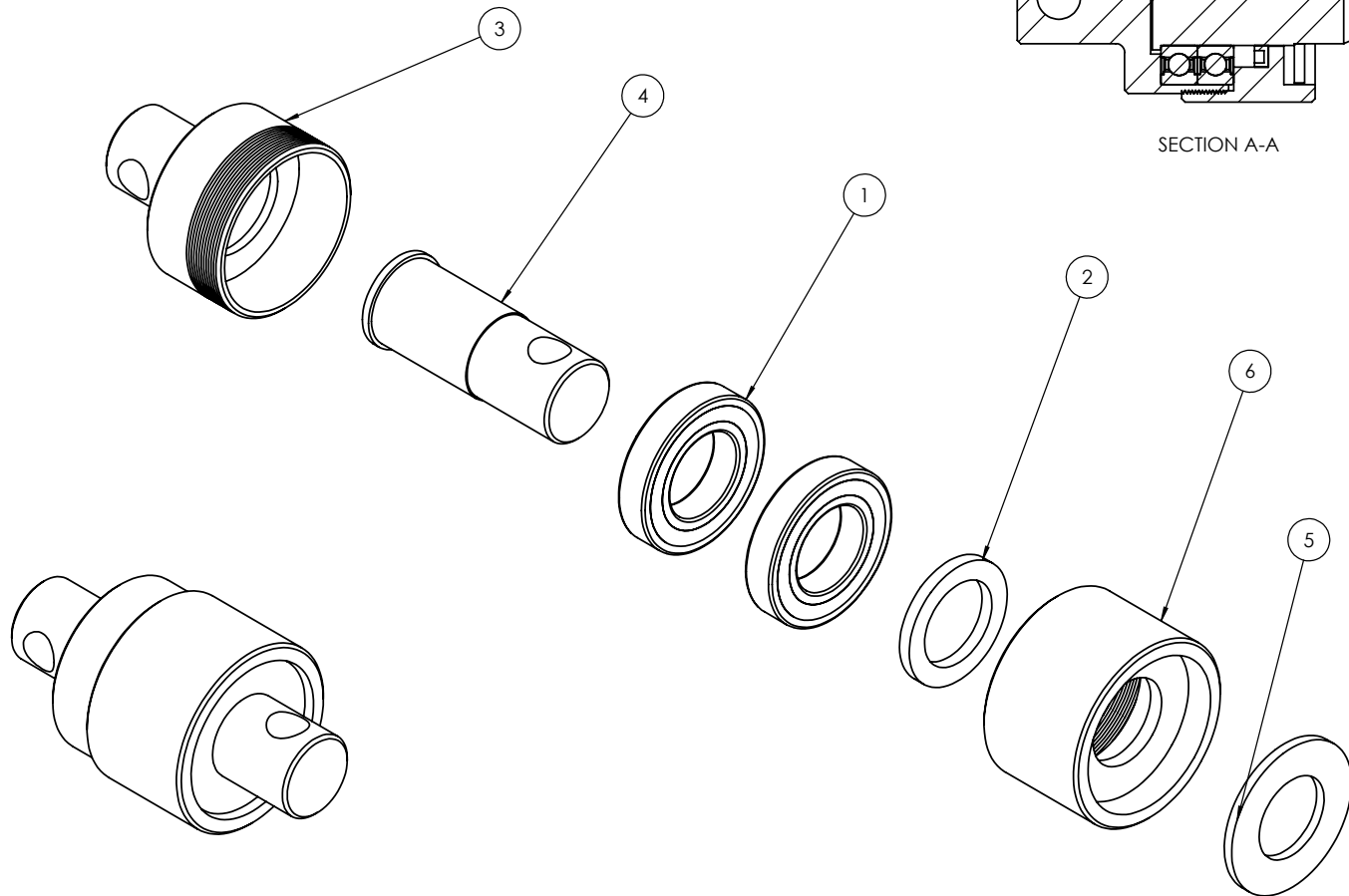
ITEM NO.	PART NUMBER	Revision	DESCRIPTION	QTY.
1	0211-1265		M12 x 65 grade 8.8 ZP Bolt	2
2	0211-20110 ST	A	M20 x 110 grade 10.9 ZP Short Thread Bolt	6
3	0221-NYL12		Nyloc Nut M12	2
4	0221-NYL20		Nyloc Nut M20	6
5	0232-HT13-8		Washer High Tensile 1 3/8"	2
6	0801-10-51	A	Chain Mount Pivot Pin	2
7	0801-KE014	B	Height Adjustor Retaining Clip	2
8	0801-PCDCS55	A	Tie Plate Bush	2

ITEM NO.	PART NUMBER	Revision	DESCRIPTION	QTY.
9	0802-DCTP-20	A	Disc Chain Tie Plate Link 20mm	2
10	0802-PCHB55	A	20mm Bolt Swivel Unit	2
11	0810-10	J-1	Rear Tail	1
12	0810-220	B	Tail Chain Stop Guard Assembly	1
13	0810-235	B	Rear Tail Guard Assembly	2
14	0801-PCH24MCA	A	Height Adjusting Chain Assembly	2
15	0810-103FA-40-45	C-0	40/45' Front Module Tension Assembly	1
16	0810-103RA-40-45	C-0	40-45' Rear Module Tension Assembly	1
17	0810-498		Angled Chain Guard Assembly	1



Part Number <b>0810-10A</b>	Description <b>Rear Tail Assembly</b>	For Machines Built: (112038-62)-	Revision <b>H-0</b>
--------------------------------	--	-------------------------------------	------------------------

ITEM NO.	PART NUMBER	Revision	DESCRIPTION	QTY.
1	0112-6211		Bearing 6211 2RS	2
2	0121-TC5588		TC Seal 55mm x 80mm x 8mm	1
3	0801-PCHB55H		Housing to Suit PCHB55 Swivel	1
4	0801-PCHB55S		Shaft To Suit PCHB55 Swivel	1
5	0801-PCHB55WA		Washer To Suit PCHB55 Swivel	1
6	0801-PCHB55C		Cap To Suit PCHB55 Swivel	1



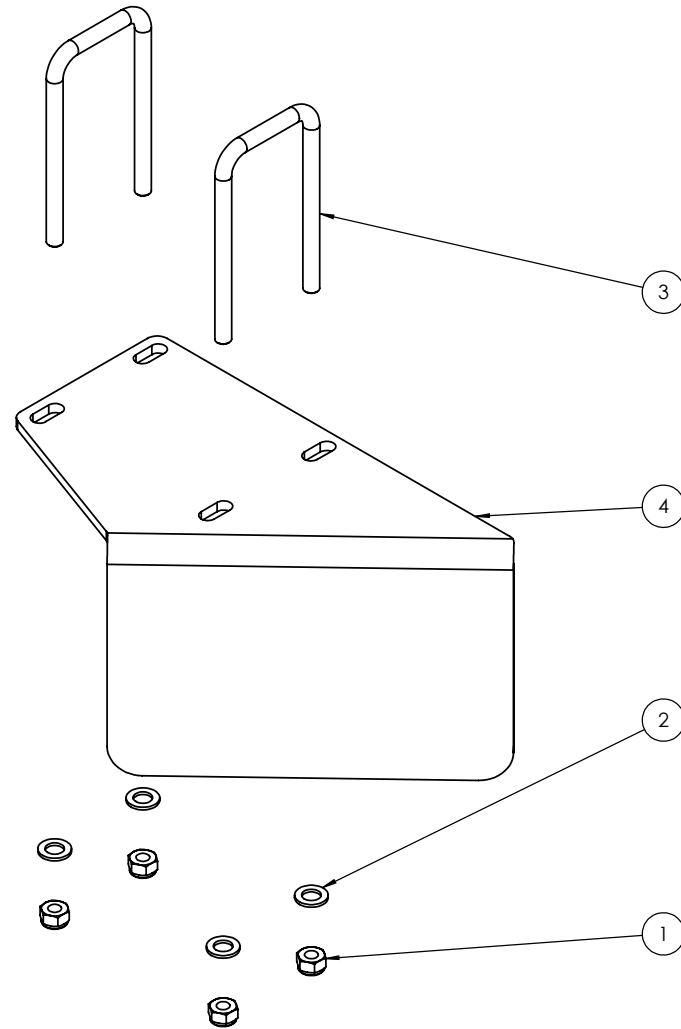
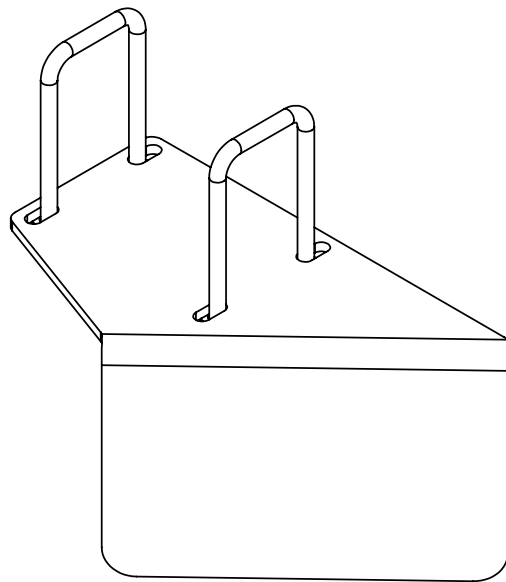
Part Number  
**0802-PCHB55**

Description  
**20mm Bolt Swivel Unit**

For Machines Built:  
2002-

Revision

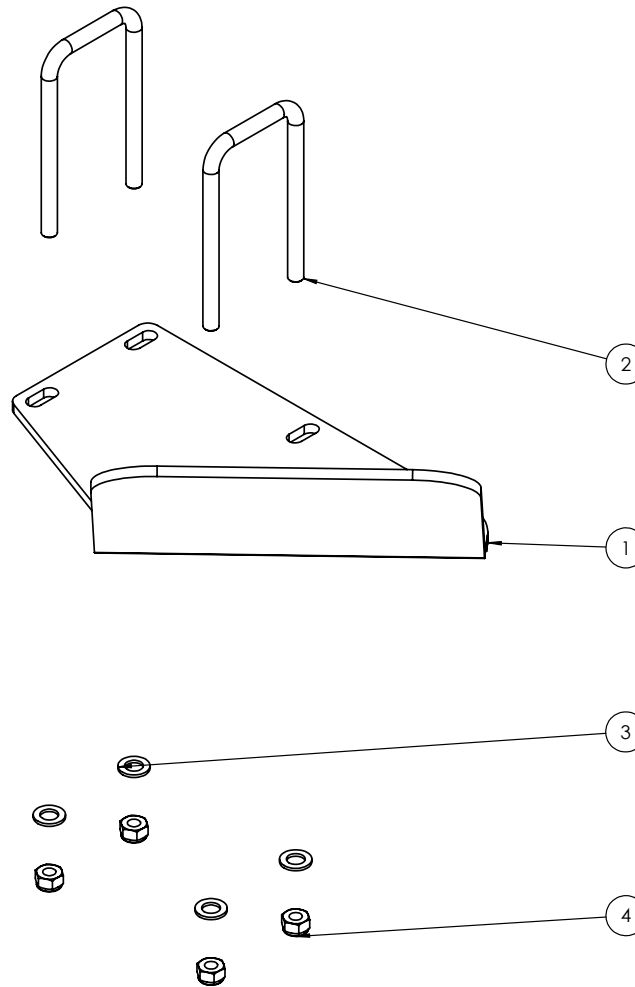
ITEM NO.	PART NUMBER	Revision	DESCRIPTION	QTY.
1	0221-NYL12		Nyloc Nut M12	4
2	0231-F12		Washer Flat M12	4
3	0271-1215577		U-Bolt M12 x 155 Deep x 77 Wide	2
4	0800-220.1	B	Tail Chain Stop Guard	1



Part Number	Description	For Machines Built:	Revision
<b>0810-220</b>	Tail Chain Stop Guard Assembly	(112043-65)-	<b>B</b>



ITEM NO.	PART NUMBER	Revision	DESCRIPTION	QTY.
1	0800-498	B-0	Angled Chain Gaurd	1
2	0271-1215577		U-Bolt M12 x 155 Deep x 77 Wide	2
3	0231-F12		Washer Flat M12	4
4	0221-NYL12		Nyloc Nut M12	4



DO NOT SCALE DRAWING

REVISION

**Tolerance (UNO)**  
 .XX ± 0.1mm  
 .X ± 0.2mm  
 X ± 0.5mm  
 XX ± 1.0mm  
 XXX ± 2.0mm  
 XXXX ± 3.0mm  
 \* ± 0.1\*  
 X\* ± 0.5\*

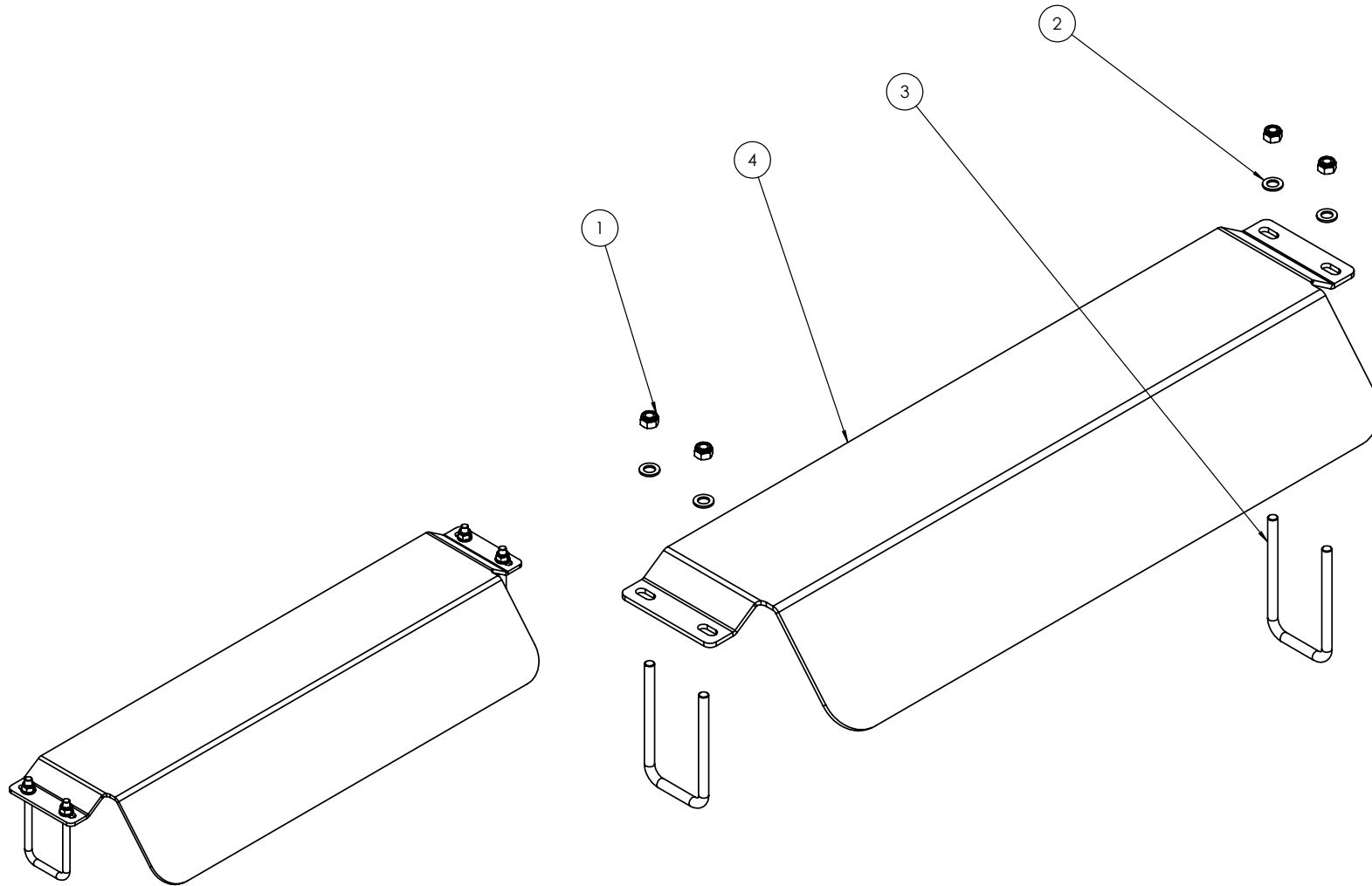
TITLE:  
**Angled Chain Guard Assembly**

Rev	Date	Revision Description
1		
2		

For Machines Built: (112043-65)-			
NAME	SIGNATURE	DATE	MATERIAL:
O Clothier	<i>Approved via EPDM</i>	05/05/2016	
CHK'D			
APPV'D			WEIGHT: *8.440 Kg Kg

DWG NO.	<b>0810-498</b>	A4
SCALE:1:5	SHEET 1 OF 1	

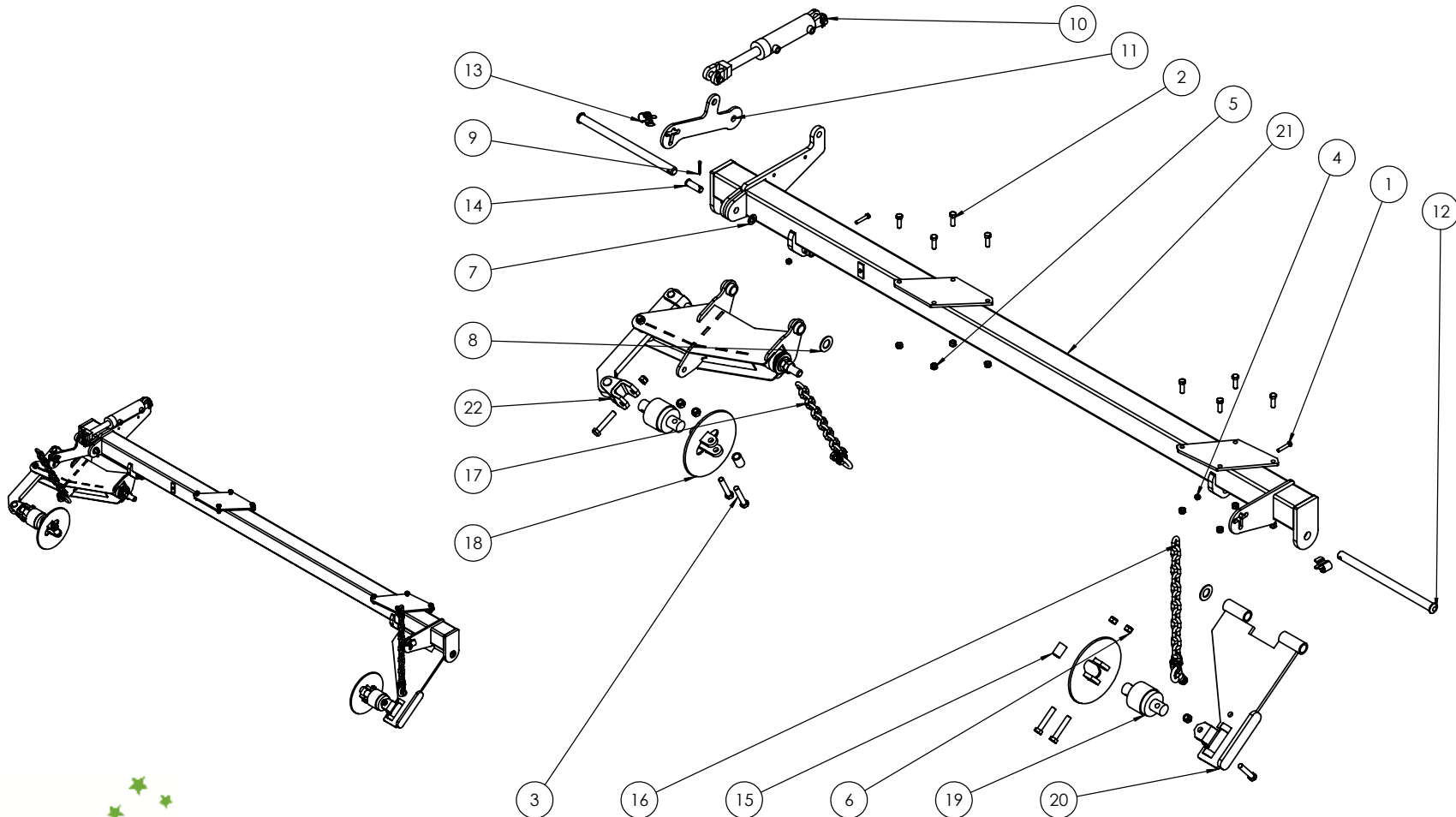
ITEM NO.	PART NUMBER	Revision	DESCRIPTION	QTY.
1	0221-NYL12		Nyloc Nut M12	4
2	0231-F12		Washer Flat M12	4
3	0271-1215577		U-Bolt M12 x 155 Deep x 77 Wide	2
4	0800-235	B	Rear Tail Guard	1



Part Number <b>0810-235</b>	Description Rear Tail Guard Assembly	For Machines Built: (1110224-50)-	Revision B
--------------------------------	---	--------------------------------------	---------------

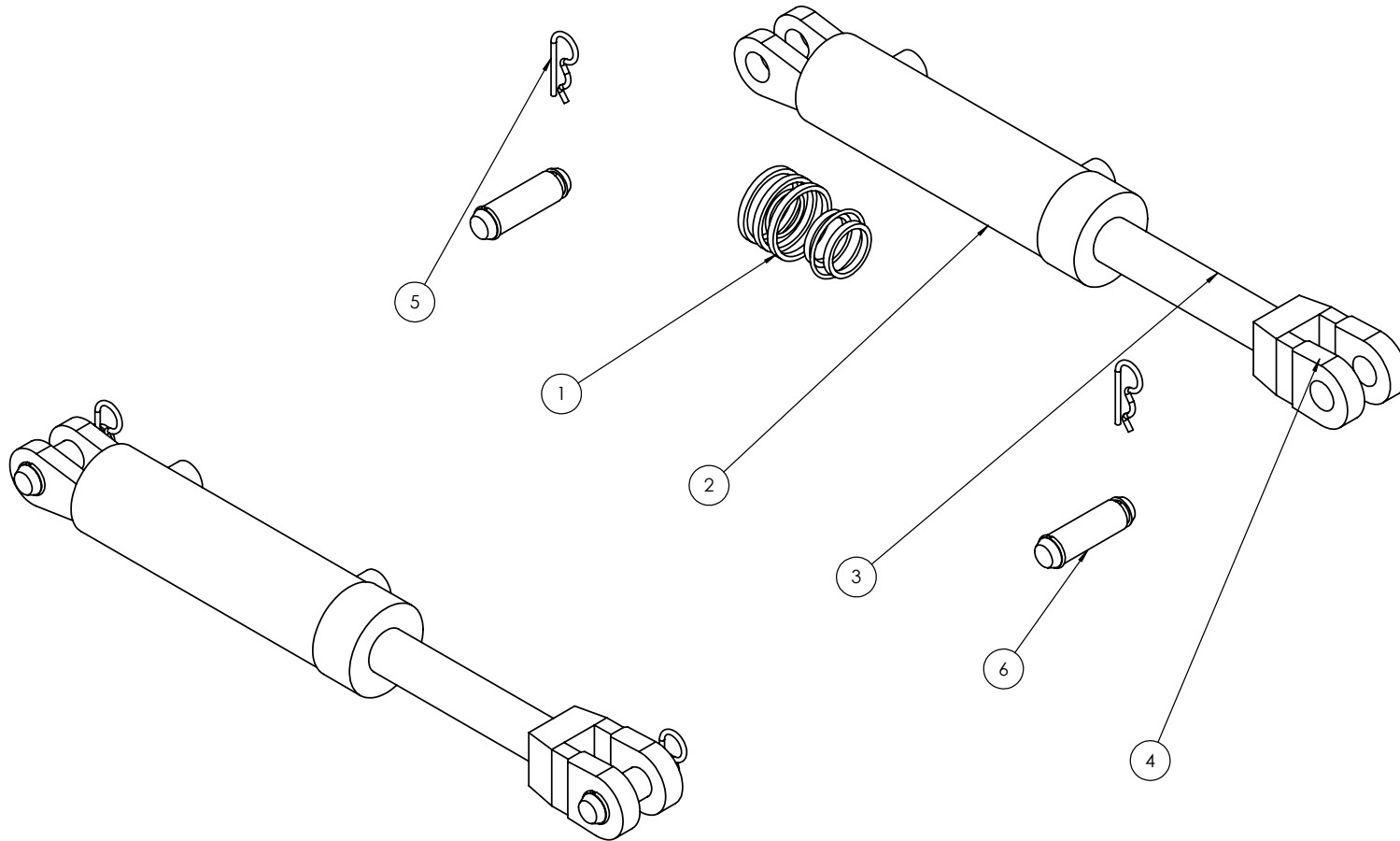
ITEM NO.	PART NUMBER	Revision	DESCRIPTION	QTY.
1	0211-1265	A	M12 x 65 grade 8.8 ZP Bolt	2
2	0211-1650	A	M16 x 50 grade 8.8 zp Bolt	8
3	0211-20110 ST	A	M20 x 110 grade 10.9 ZP Short Thread Bolt	6
4	0221-NYL12		Nyloc Nut M12	2
5	0221-NYL16		Nyloc Nut M16	8
6	0221-NYL20		Nyloc Nut M20	6
7	0231-F24		Washer Flat M24	1
8	0232-HT13-8		Washer High Tensile 1 3/8"	2
9	0261-PINC550	A	Cotter Pin M5 x 50	1
10	0311-5041	A	Hyd Cylinder 2.5" x 6" Side Port	1
11	0800-120.3	B	Module Lift Plate	1

ITEM NO.	PART NUMBER	Revision	DESCRIPTION	QTY.
12	0801-10-51	A	Chain Mount Pivot Pin	2
13	0801-KE014	B	Height Adjustor Retaining Clip	2
14	0801-KE0307-1	A	Clevis Pin 25mm x 75mm	1
15	0801-PCDCS55	A	Tie Plate Bush	2
16	0801-PCH24MCA	A	Height Adjusting Chain Assembly	1
17	0801-PCH24MCA	A	Height Adjusting Chain Assembly	1
18	0802-DCTP-20	A	Disc Chain Tie Plate Link 20mm	2
19	0802-PCHB55	A	20mm Bolt Swivel Unit	2
20	0810-20	B	Chain Mt Arm	1
21	0810-28-40	B	40/45' Front module	1
22	0810-103FA-40-45	B	40/45' Front Module Tension Assembly	1



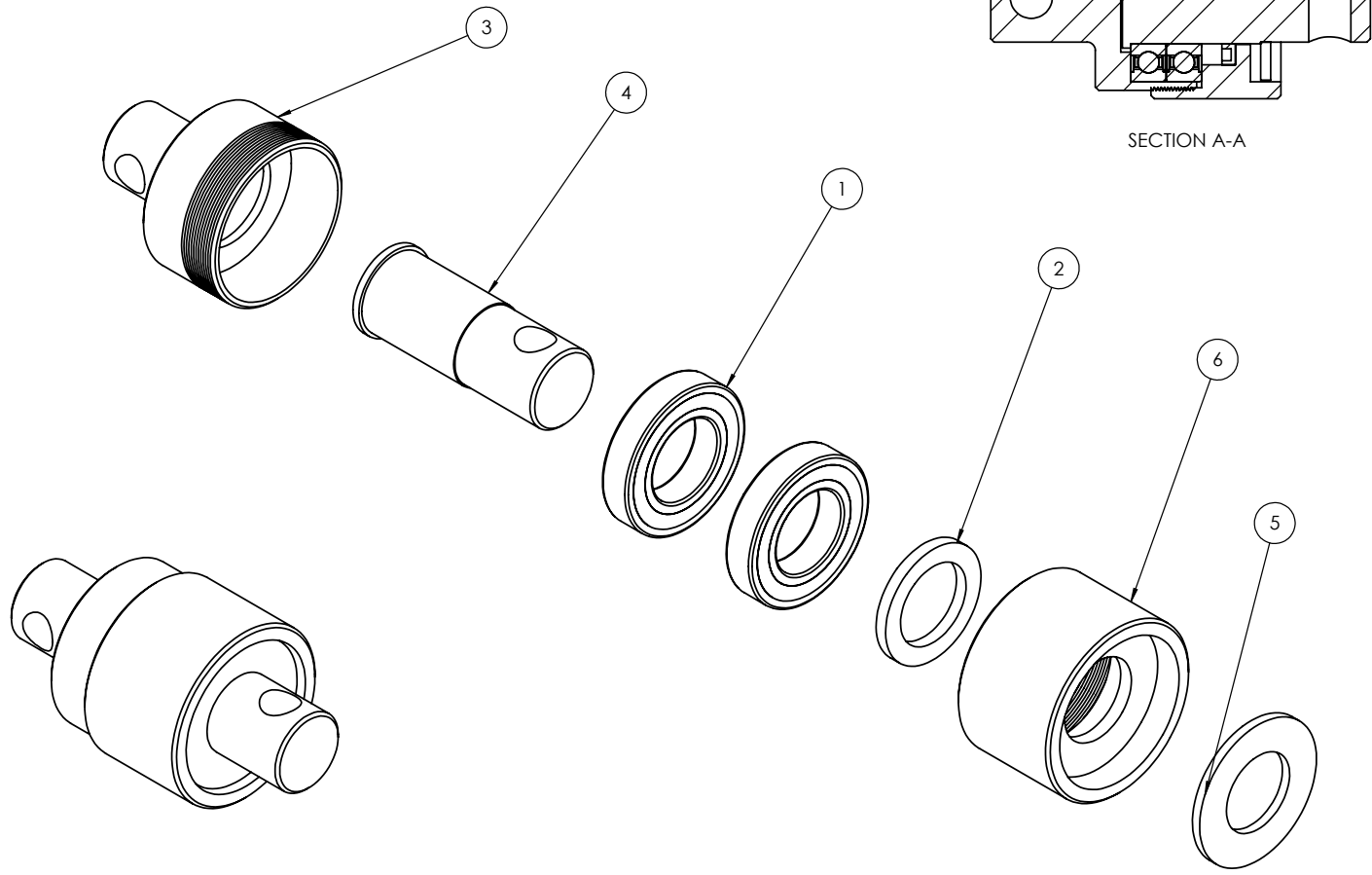
Part Number <b>0810-28-40A</b>	Description 40-45' Front Module Assembly	For Machines Built: (10019-60)-	Revision <b>B</b>
-----------------------------------	---	------------------------------------	----------------------

ITEM NO.	PART NUMBER	Revision	DESCRIPTION	QTY.
1	0312-EF0006		Seal Kit 2.5"	1
2	0313-5041B	A	2.5" x 6" Cylinder Barrel Side Port	1
3	0313-5041R	A	2.5" x 6" Cylinder Rod	1
4	0313-6002C		Clevis For 2957, 5041, 6002, 2958 Cylinders	1
5	0511-RCLIP4		R Clip 4mm	2
6	0801-44082938	A	Clevis Pin 1" x 75mm	2



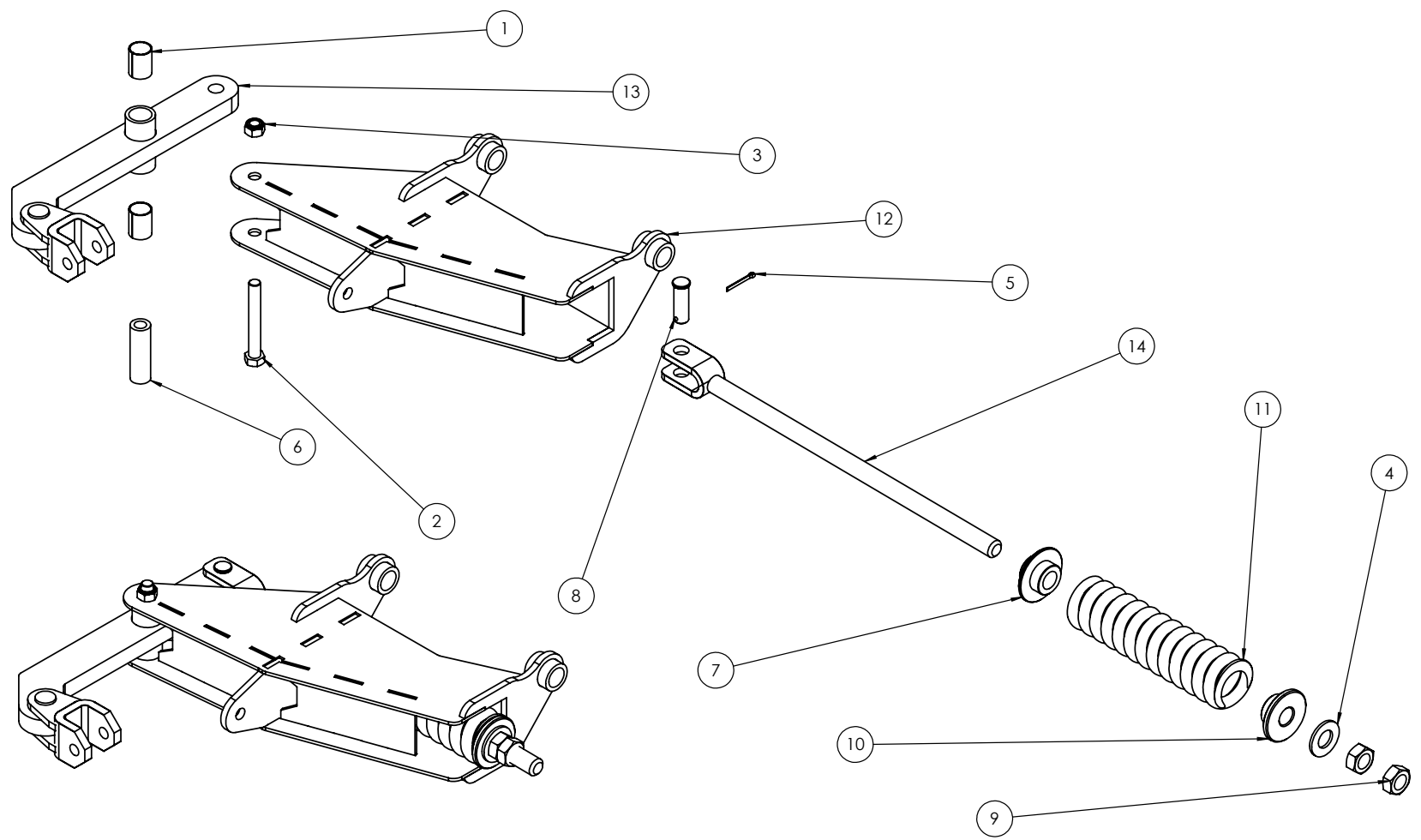
Part Number <b>0311-5041</b>	Description Hyd Cylinder 2.5" x 6" Side Port	For Machines Built: All(2008)-	Revision A
---------------------------------	---	-----------------------------------	---------------

ITEM NO.	PART NUMBER	Revision	DESCRIPTION	QTY.
1	0112-6211		Bearing 6211 2RS	2
2	0121-TC5588		TC Seal 55mm x 80mm x 8mm	1
3	0801-PCHB55H		Housing to Suit PCHB55 Swivel	1
4	0801-PCHB55S		Shaft To Suit PCHB55 Swivel	1
5	0801-PCHB55WA		Washer To Suit PCHB55 Swivel	1
6	0801-PCHB55C		Cap To Suit PCHB55 Swivel	1



Part Number <b>0802-PCHB55</b>	Description 20mm Bolt Swivel Unit	For Machines Built: 2002-	Revision
-----------------------------------	--------------------------------------	------------------------------	----------

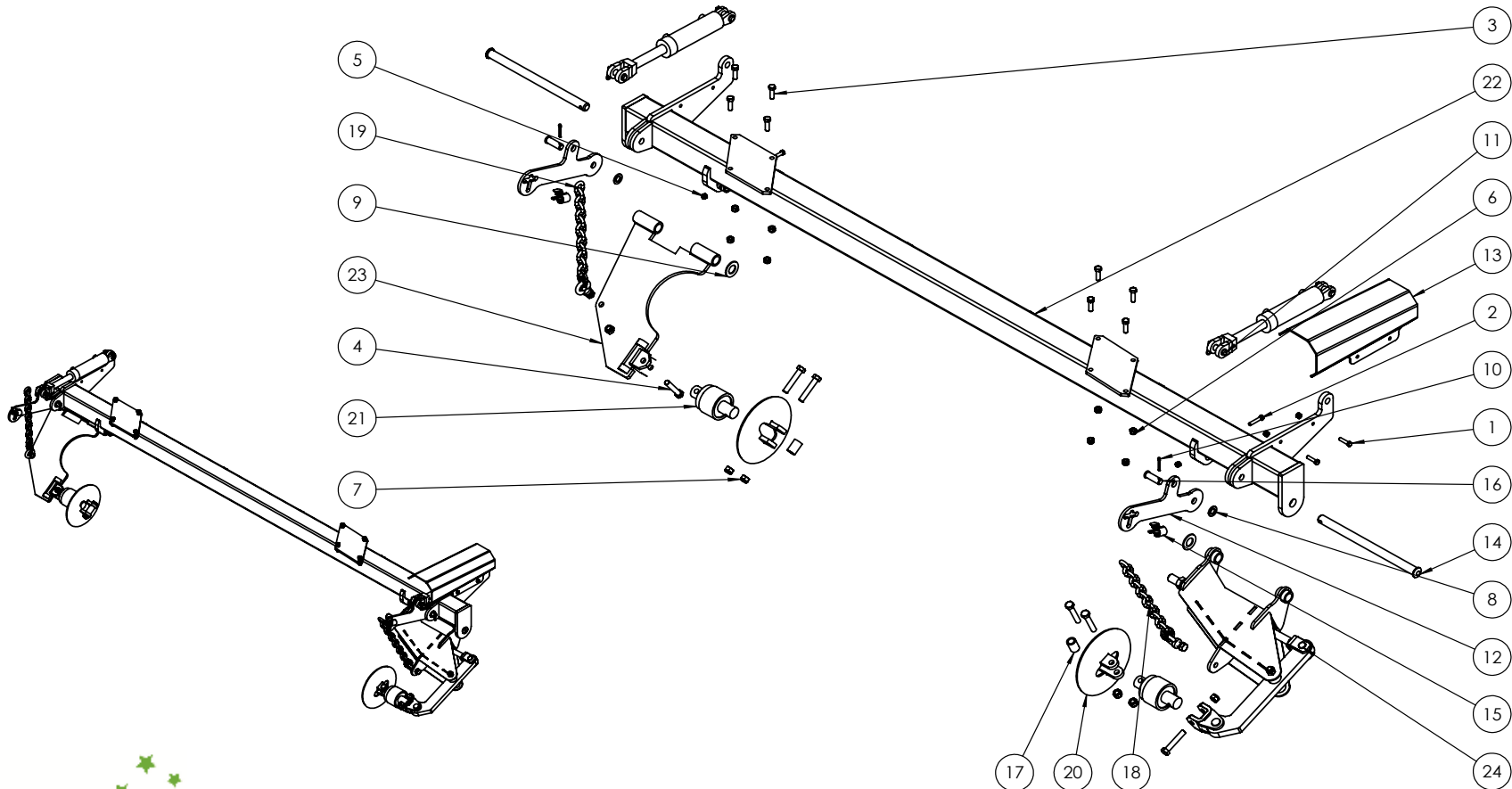
ITEM NO.	PART NUMBER	Revision	DESCRIPTION	QTY.	ITEM NO.	PART NUMBER	Revision	DESCRIPTION	QTY.
1	0113-MB 3550DX	A	35 ID x 50mm DX Bush	2	8	0801-KE0307-1	A	Clevis Pin 25mm x 75mm	1
2	0211-20150	A	M20 x 150 grade 8.8 ZP Bolt	1	9	0801-PCHTA-N6	B	ACME Lock Nut 1 1/4 - 5NA - 2G	2
3	0221-NYL20		Nyloc Nut M20	1	10	0801-PCHTA-SB	B	Steel Spring Retaining Bush	1
4	0232-HT11-4		Washer High Tensile 1 1/4"	1	11	0801-XK9261S	A	20mm Compression Spring	1
5	0261-PINC550	A	Cotter Pin M5 x 50	1	12	0810-103F	B	Front Module Tension Body	1
6	0801-10-110	B	Module Pivot Arm Bush	1	13	0810-104-40-45	A	40/45' Module Tension Arm	1
7	0801-10-S2L	A	Rigid Spring Locator	1	14	0810-105	C	Module Tension Linkage	1



Part Number <b>0810-103FA-40-45</b>	Description 40/45' Front Module Tension Assembly	For Machines Built: 10/3/10 (10016-45R)-	Revision <b>B</b>
--	---	---	----------------------

ITEM NO.	PART NUMBER	Revision	DESCRIPTION	QTY.
1	0211-1250	A	M12 x 50 grade 8.8 ZP Bolt	2
2	0211-1265	A	M12 x 65 grade 8.8 ZP Bolt	2
3	0211-1650	A	M16 x 50 grade 8.8 zp Bolt	8
4	0211-20110 ST	A	M20 x 110 grade 10.9 ZP Short Thread Bolt	6
5	0221-NYL12		Nyloc Nut M12	4
6	0221-NYL16		Nyloc Nut M16	8
7	0221-NYL20		Nyloc Nut M20	6
8	0231-F24		Washer Flat M24	2
9	0232-HT13-8		Washer High Tensile 1 3/8"	2
10	0261-PINC550	A	Cotter Pin M5 x 50	2
11	0311-5041	A	Hyd Cylinder 2.5" x 6" Side Port	2
12	0800-120.3	B	Module Lift Plate	2

ITEM NO.	PART NUMBER	Revision	DESCRIPTION	QTY.
13	0800-167.3	B	Module Cylinder Guard	1
14	0801-10-51	A	Chain Mount Pivot Pin	2
15	0801-KE014	B	Height Adjustor Retaining Clip	2
16	0801-KE0307-1	A	Clevis Pin 25mm x 75mm	2
17	0801-PCDCS55	A	Tie Plate Bush	2
18	0801-PCH24MCA	A	Height Adjusting Chain Assembly	1
19	0801-PCH24MCA	A	Height Adjusting Chain Assembly	1
20	0802-DCTP-20	A	Disc Chain Tie Plate Link 20mm	2
21	0802-PCHB55	A	20mm Bolt Swivel Unit	2
22	0810-29-40	B	40'/45' Rear Module	1
23	0810-33	B	Reducing Chain Mount Arm 20mm Clevis	1
24	0810-103RA-40-45	B	40-45' Rear Module Tension Assembly	1



Part Number  
**0810-29-40A**

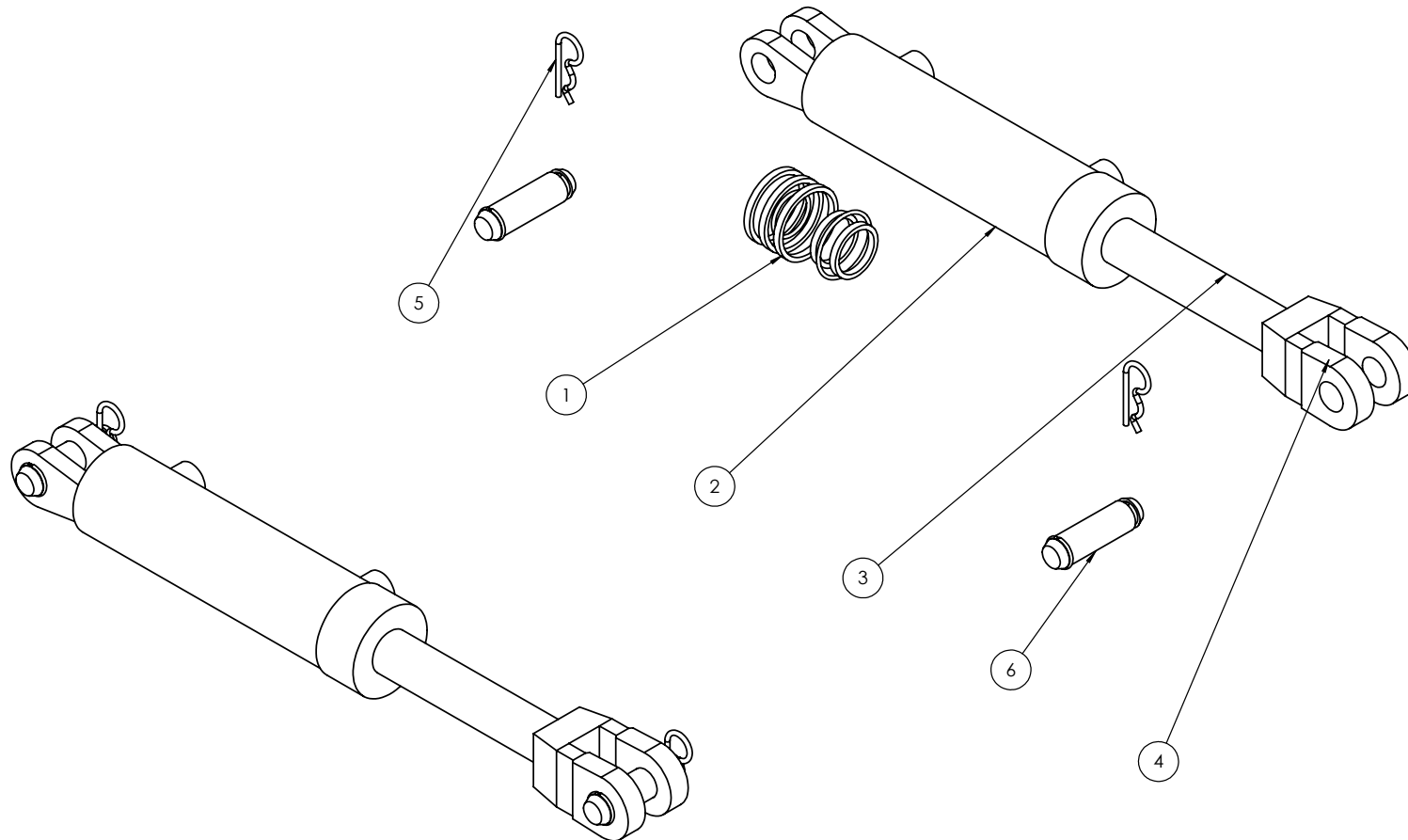
Description  
**40/45' Rear Module Assembly**

For Machines Built:

Revision

**A**

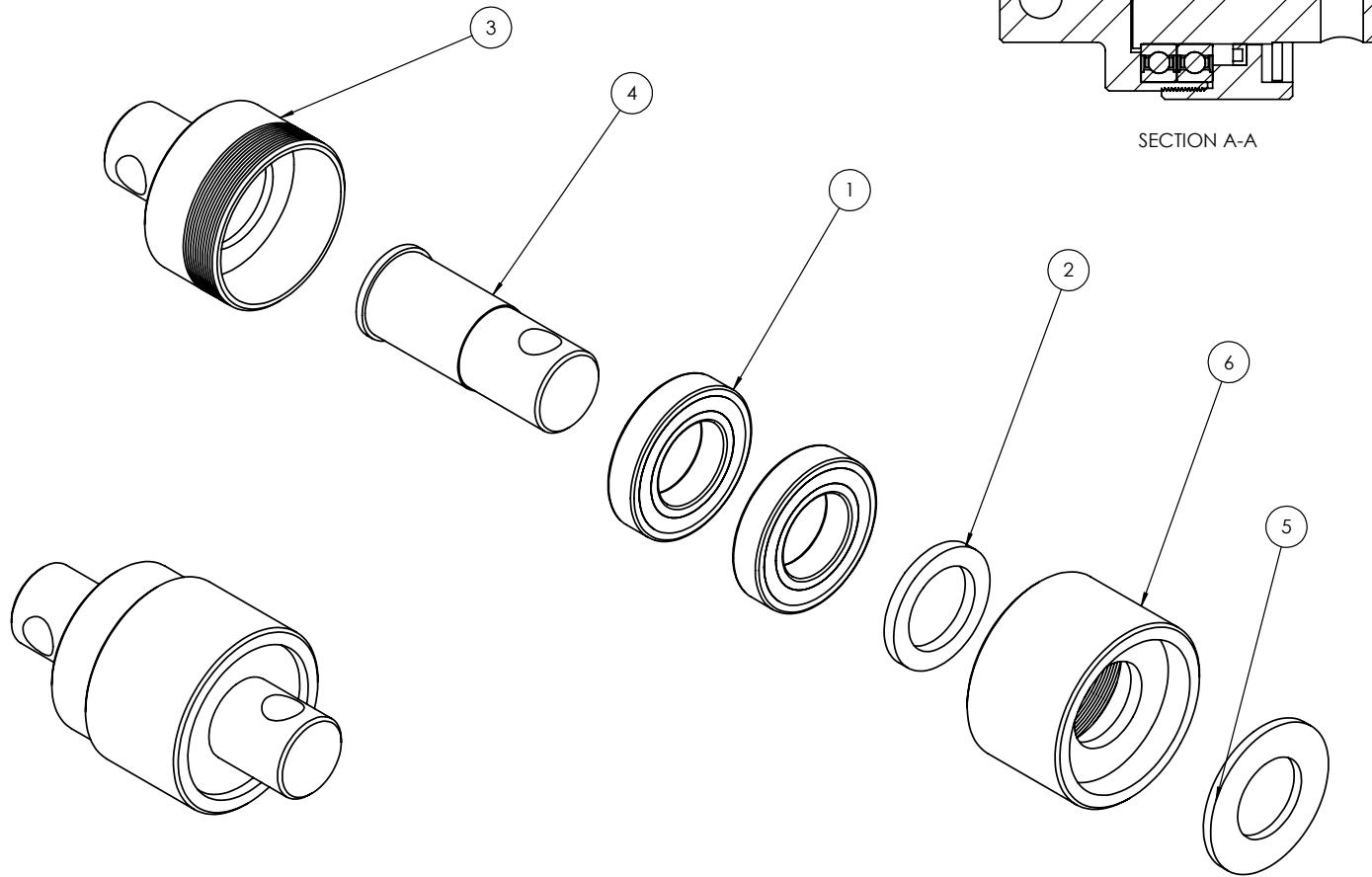
ITEM NO.	PART NUMBER	Revision	DESCRIPTION	QTY.
1	0312-EF0006		Seal Kit 2.5"	1
2	0313-5041B	A	2.5" x 6" Cylinder Barrel Side Port	1
3	0313-5041R	A	2.5" x 6" Cylinder Rod	1
4	0313-6002C		Clevis For 2957, 5041, 6002, 2958 Cylinders	1
5	0511-RCLIP4		R Clip 4mm	2
6	0801-44082938	A	Clevis Pin 1" x 75mm	2



Part Number <b>0311-5041</b>	Description Hyd Cylinder 2.5" x 6" Side Port	For Machines Built: All(2008)-	Revision <b>A</b>
---------------------------------	---	-----------------------------------	----------------------



ITEM NO.	PART NUMBER	Revision	DESCRIPTION	QTY.
1	0112-6211		Bearing 6211 2RS	2
2	0121-TC5588		TC Seal 55mm x 80mm x 8mm	1
3	0801-PCHB55H		Housing to Suit PCHB55 Swivel	1
4	0801-PCHB55S		Shaft To Suit PCHB55 Swivel	1
5	0801-PCHB55WA		Washer To Suit PCHB55 Swivel	1
6	0801-PCHB55C		Cap To Suit PCHB55 Swivel	1



Part Number  
**0802-PCHB55**

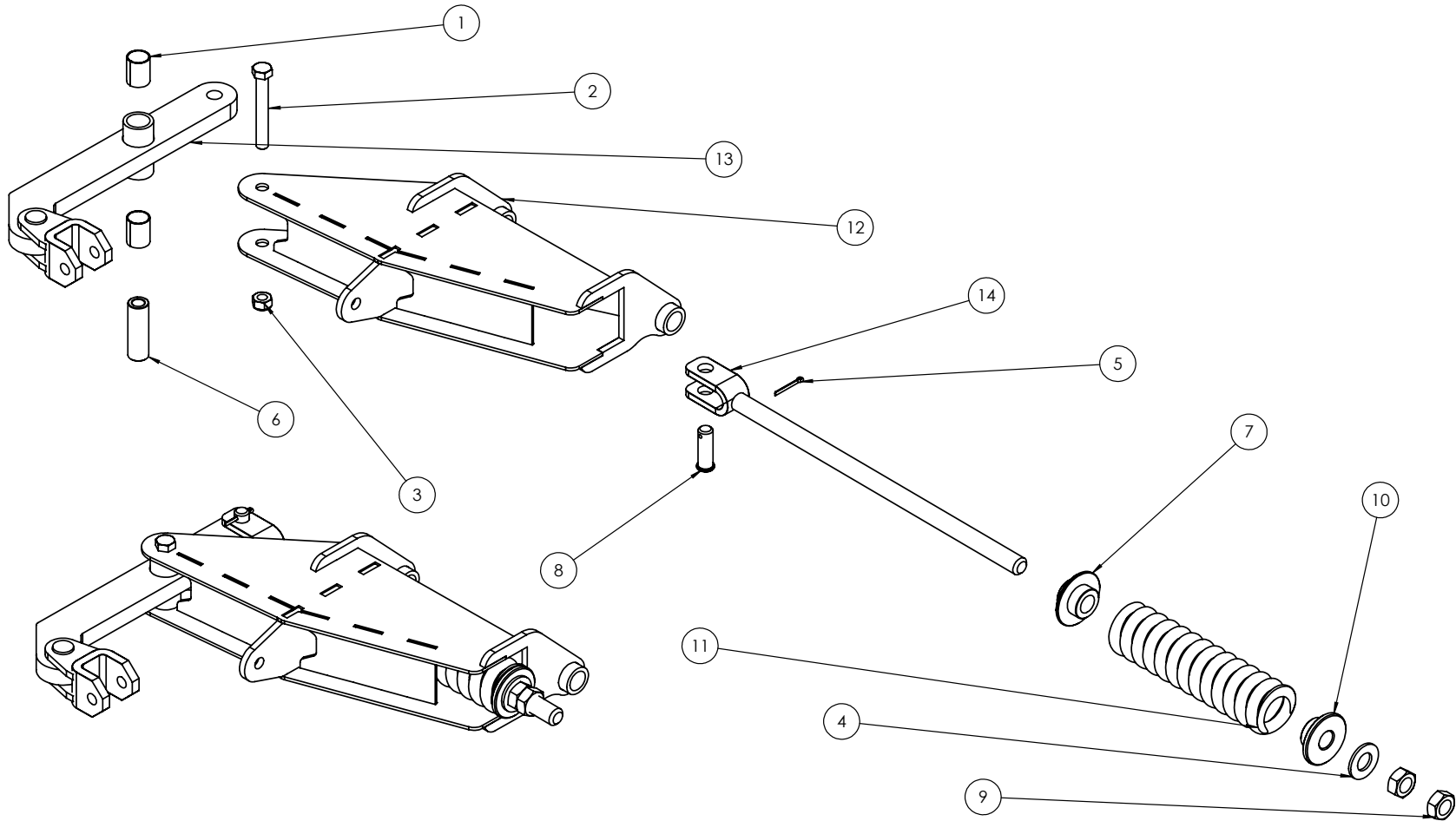
Description  
**20mm Bolt Swivel Unit**

For Machines Built:  
2002-

Revision

ITEM NO.	PART NUMBER	Revision	DESCRIPTION	QTY.
1	0113-MB 3550DX	A	35 ID x 50mm DX Bush	2
2	0211-20150	A	M20 x 150 grade 8.8 ZP Bolt	1
3	0221-NYL20		Nyloc Nut M20	1
4	0232-HT11-4		Washer High Tensile 1 1/4"	1
5	0261-PINC550	A	Cotter Pin M5 x 50	1
6	0801-10-110	B	Module Pivot Arm Bush	1
7	0801-10-S2L	A	Rigid Spring Locator	1

ITEM NO.	PART NUMBER	Revision	DESCRIPTION	QTY.
8	0801-KE0307-1	A	Clevis Pin 25mm x 75mm	1
9	0801-PCHTA-N6	B	ACME Lock Nut 1 1/4 - 5NA - 2G	2
10	0801-PCHTA-SB	B	Steel Spring Retaining Bush	1
11	0801-XK9261S	A	20mm Compression Spring	1
12	0810-103R	B	Rear Module Tension Body	1
13	0810-104-40-45	A	40/45' Module Tension Arm	1
14	0810-105	C	Module Tension Linkage	1



Part Number  
**0810-103RA-40-45**

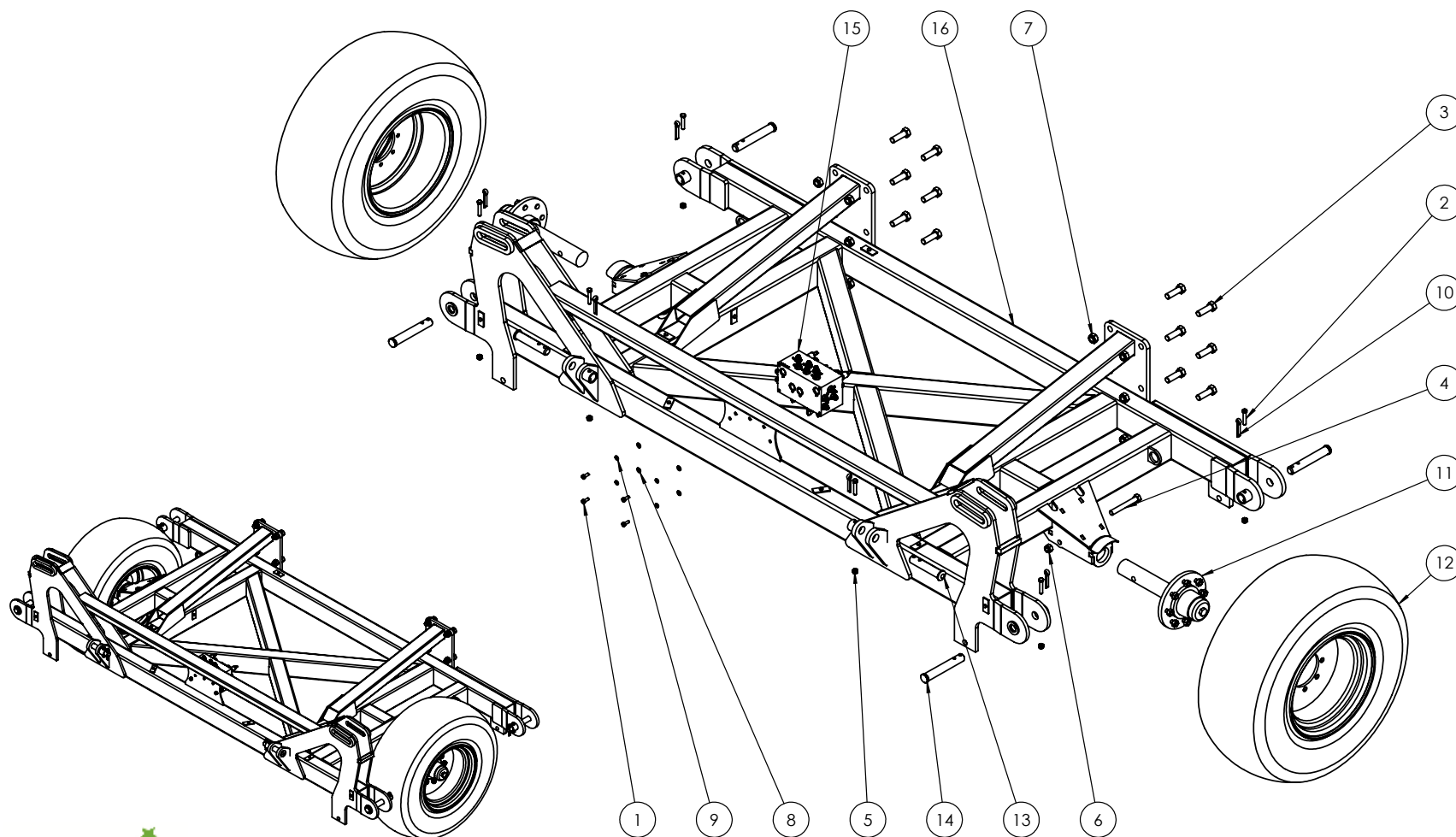
Description  
40-45' Rear Module Tension Assembly

For Machines Built:  
10/3/10 (10016-45R)-

Revision  
**B**

ITEM NO.	PART NUMBER	Revision	DESCRIPTION	QTY.
1	0211-1025	A	M10 x 25 grade 8.8 ZP Bolt	4
2	0211-1265	A	M12 x 65 grade 8.8 ZP Bolt	6
3	0211-2475	A	M24 x 50 grade 8.8 zp Bolt	12
4	0211-20150	A	M20 x 150 grade 8.8 ZP Bolt	2
5	0221-NYL12		Nyloc Nut M12	6
6	0221-NYL20		Nyloc Nut M20	2
7	0221-NYL24		Nyloc Nut M24	12
8	0231-F10		Washer Flat M10	4

ITEM NO.	PART NUMBER	Revision	DESCRIPTION	QTY.
9	0231-S10		Washer Spring M10	4
10	0261-PINC1363		Cotter Pin M13 x 63	6
11	0733-SH27596880	A	2.75'R 6 Tonne 8 on 8" PCH Hub and Stub Complete	2
12	0751-15.0-70-18TR	B	15.0/70-18 Tyre On Rim	2
13	0801-10-08-175	A	Tail Frame Pivot pin	2
14	0801-10-08-235	A	PCH Wing Pivot Pin	4
15	0802-690430	A	Dual Circuit 3 Stage Sequence Manifold V9	1
16	0840-01	B	40' Centre Frame	1



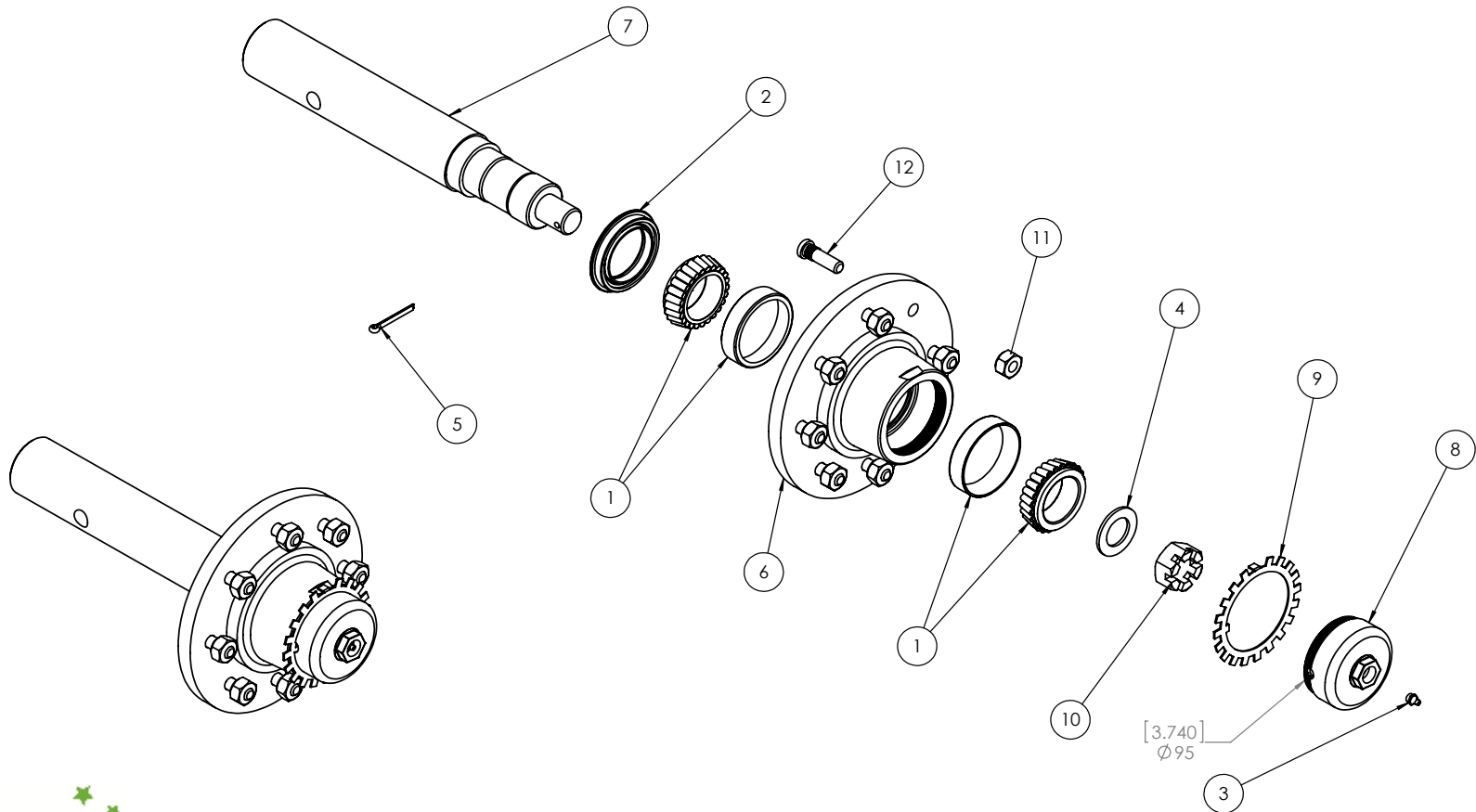
Part Number  
**0840-01A**

Description  
**40' Centre Frame Assembly**

For Machines Built:  
1130230-40 -

Revision  
**B**

ITEM NO.	PART NUMBER	Revision	DESCRIPTION	QTY.
1	0111-33011		Bearing 33011 (Cup & Cone)	2
2	0121-AP7M2 906510	A	AP7 Seal 90 x 65 x 10mm	1
3	0181-GN1-8	A	Grease Nipple 1/8" BSP	1
4	0232-F11-4		Washer Flat 1 1/4"	1
5	0261-PINC650		Cotter Pin M6 x 50mm	1
6	0731-H96880	A	6T 8 on 8" PCD (Hub only)	1
7	0732-275R6TKE	A	6T 2.75"R x 460mm Stub	1
8	0741-D-CAP6T	A	95mm Cast Iron Screw in Cap	1
9	0741-LW6T	A	Lock Washer 6T Hub	1
10	0741-NCAS114	A	Castle Nut 1 1/4" x 12	1
11	0741-NW9-16	A	Wheel Nut 9/16" 90 Deg	8
12	0741-WS9-16	A	Wheel Stud 9/16" UNF	8



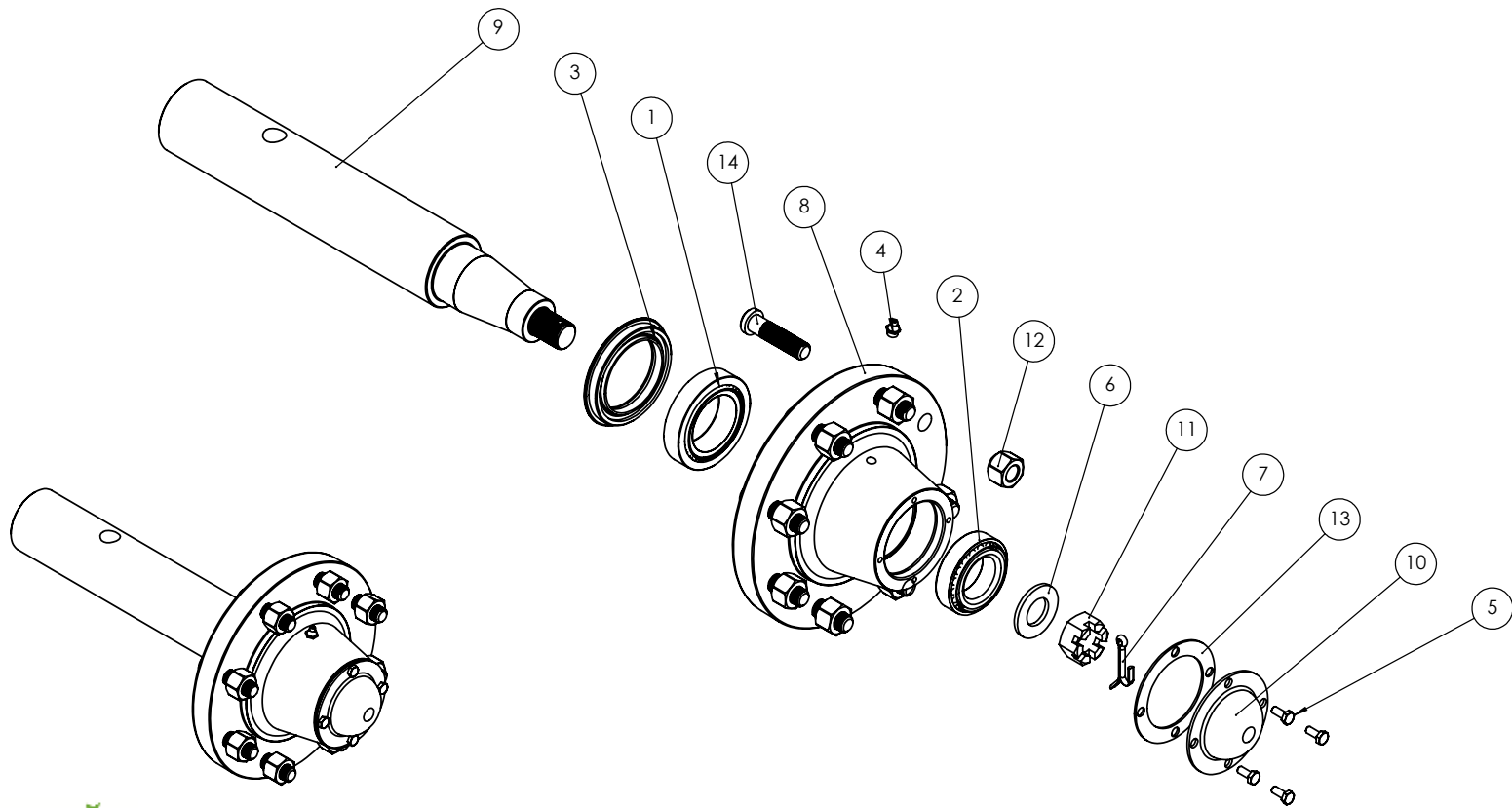
Part Number  
**0733-SH27596880**

Description  
2.75"R 6 Tonne 8 on 8" PCD Hub & Stub Complete

For Machines Built:  
65'(112043-65)-

Revision  
**A**

ITEM NO.	PART NUMBER	DESCRIPTION	QTY.
1	0111-JLM506849-10	Bearing JLM506849/10 Cone/Cup	1
2	0111-LM501349-10	Bearing LM501349/10 Cone/Cup	1
3	0121-P602141	Seal 2.75 x 3.76 x .44	1
4	0181-GN1-8	Grease Nipple 1/8" BSP	1
5	0212-1-45-8	1/4" X 5/8" UNC Gr.8.8 ZP BOLT	4
6	0232-F1	Washer Flat 1"	1
7	0261-PINC550	Cotter Pin M5 x 50	1
8	0731-H6080067	GKN 6T 8 on 8" Hub only	1
9	0732-LS96 30M-24	GKN 6T 2-3/4" x18.736" Stub/Spindle	1
10	0741-D-CAPGKN6T	4 X 3.375" PCD Bolt-on Dust Cap	1
11	0741-NCAST1	Castle Nut 1" x 14	1
12	0741-NW5-8-18	Wheel Nut 5/8-18 UNF 90 deg	8
13	0741-PCDHCG	PCD Hub Cap Gasket 4 x 3.375"	1
14	0741-W55-8-18	Wheel Stud 5/8-18 UNF x 2-1/2	8

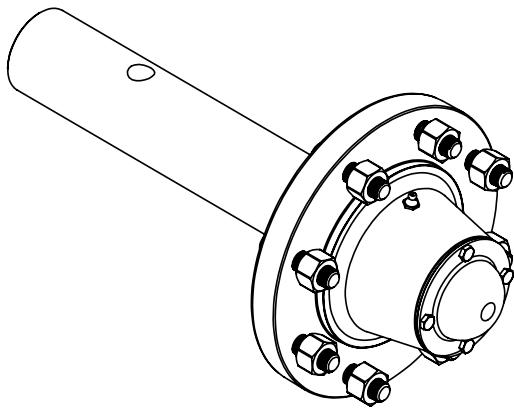
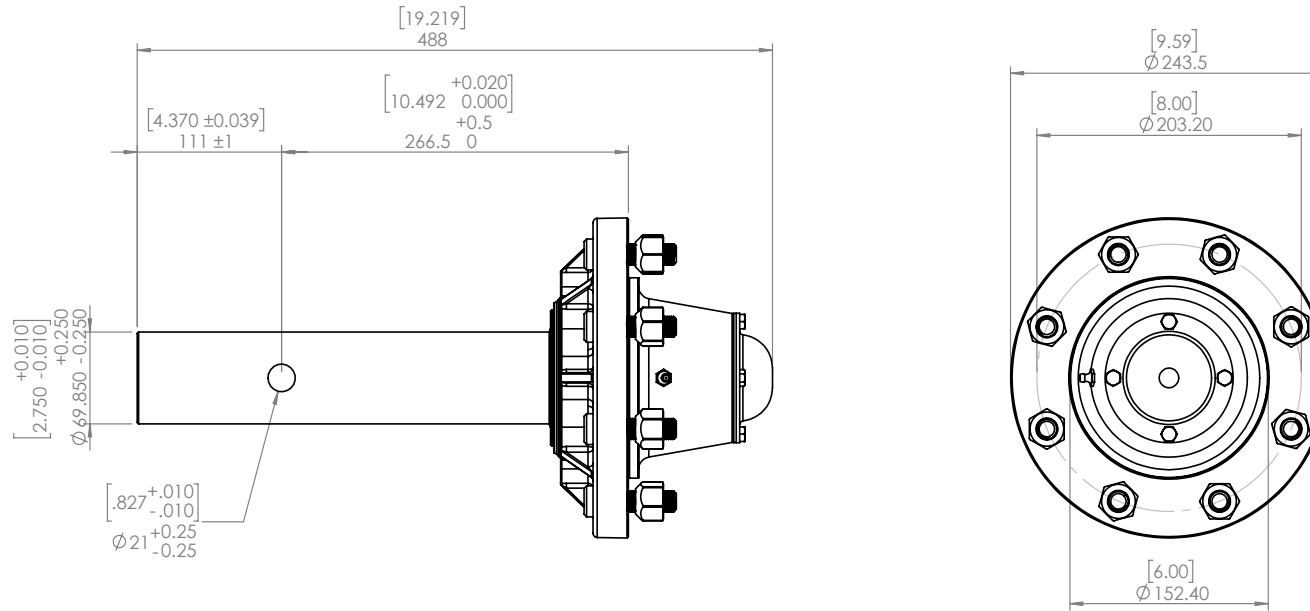



Part Number  
**0733-LG6080067**

Description  
2.75"R C/W 6 tonne 8 on 8" PCD  
Complete Assembly inc GS

For Machines Built:

Revision  
**A-0**





DO NOT SCALE DRAWING

REVISION **A-0**

**Tolerance (UNQ)**

.XX ± 0.1mm

X ± 0.2mm

.X ± 0.5mm

XX ± 1.0mm

XXX ± 2.0mm

XXXX ± 5.0mm

X\* ± 0.1"

X\* ± 0.5"

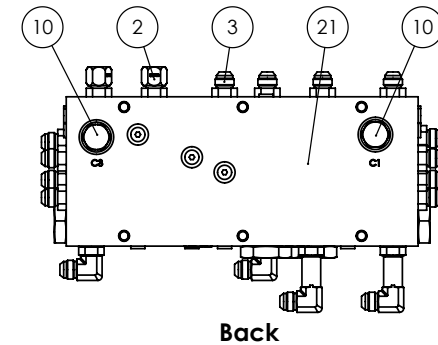
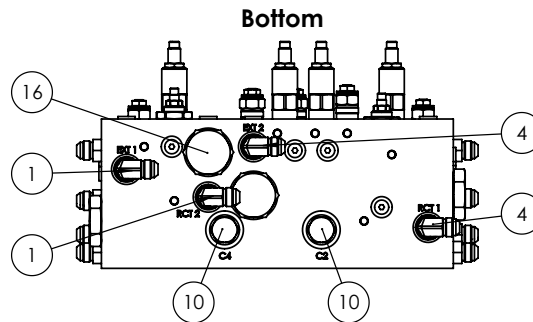
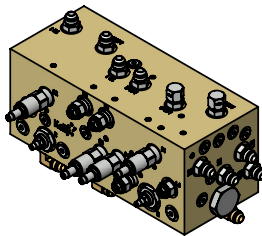
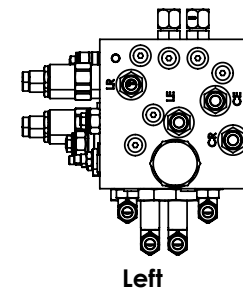
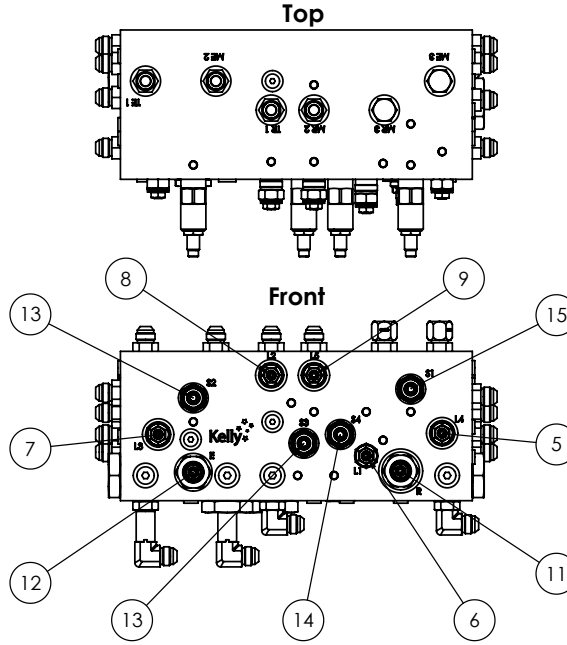
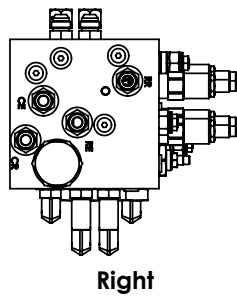
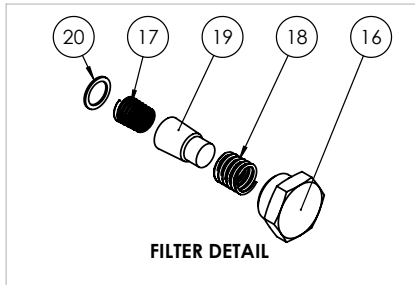
TITLE:

**2.75"R C/W 6 tonne 8 on 8" PCD Complete Assembly inc GS**

Rev	Date	Revision Description	For Machines Built:				DWG NO.	
A-0	22-Nov-18	New Part	DRAWN	B Hooper	SIGNATURE	DATE	<b>0733-LG6080067</b>	<b>A4</b>
			CHK'D	L Healy		22/11/2018		
			APPV'D	R Dunlop		22/11/2018		
			WEIGHT: 28.862Kg				SCALE:1:20	SHEET 2 OF 2

ITEM NO.	PART NUMBER	DESCRIPTION	PORT	QTY.
1	0323-S12-1212	3/4" JIC Male 3/4" UNO Male Extended 90° Elbow	EXT1, RCT2	2
2	0323-S65-12	JIC Cap Nut	ME3, MR3	2
3	0323-S90-1212	3/4" JIC Male 3/4" UN O Ring Male Adaptor	All, Unless noted otherwise	14
4	0323-S91-1212	3/4" JIC Male 3/4" UN O Ring Male 90° Elbow	EXT2, RCT1	2
5	0341-4170740-D19003	3:1 Pilot Ratio Counterbalance Valve	L4	1
6	0341-4170740-D21003	3:1 Pilot Ratio Counterbalance Valve	L1	1
7	0341-4170740-D21005	5:1 Pilot Ratio Counterbalance Valve	L3	1
8	0341-4170740-D33002	2:1 Pilot Ratio Counterbalance Valve	L2	1
9	0341-417092A-M21003	3:1 Pilot Ratio Counterbalance Valve (ATM Vented)	L5	1
10	0341-CV10-20-0-N-5	Check Valve 5PSI Spring	C1, C2, C3, C4	4

ITEM NO.	PART NUMBER	DESCRIPTION	PORT	QTY.
11	0341-FR12-23A-0-N/M23	Regulator, Pressure-Compensated (set to 23Lpm)	R	1
12	0341-FR12-23A-0-N/M32	Regulator, Pressure-Compensated	E	1
13	0341-PS10-S3801A-0-N-30-M135	Pilot-Operated Sequence Cartridge	S2, S3	2
14	0341-PS10-S3801A-0-N-30-M140	Pilot-Operated Sequence Cartridge	S4	1
15	0341-PS10-S3801A-0-N-30-M150	Pilot-Operated Sequence Cartridge	S1	1
16	0343-4170909	Port Plug 4170909		4
17	0343-4170910	Filter Element 4170912		4
18	0343-4170911	Spring 4170911		4
19	0343-4170912	Filter Element 4170912		4
20	0343-4170913	Seal 4170913		4
21	0802-691033-B	Dual Circuit 3 Stage Sequence Manifold V12 Body		1



Part Number  
**0802-691033**

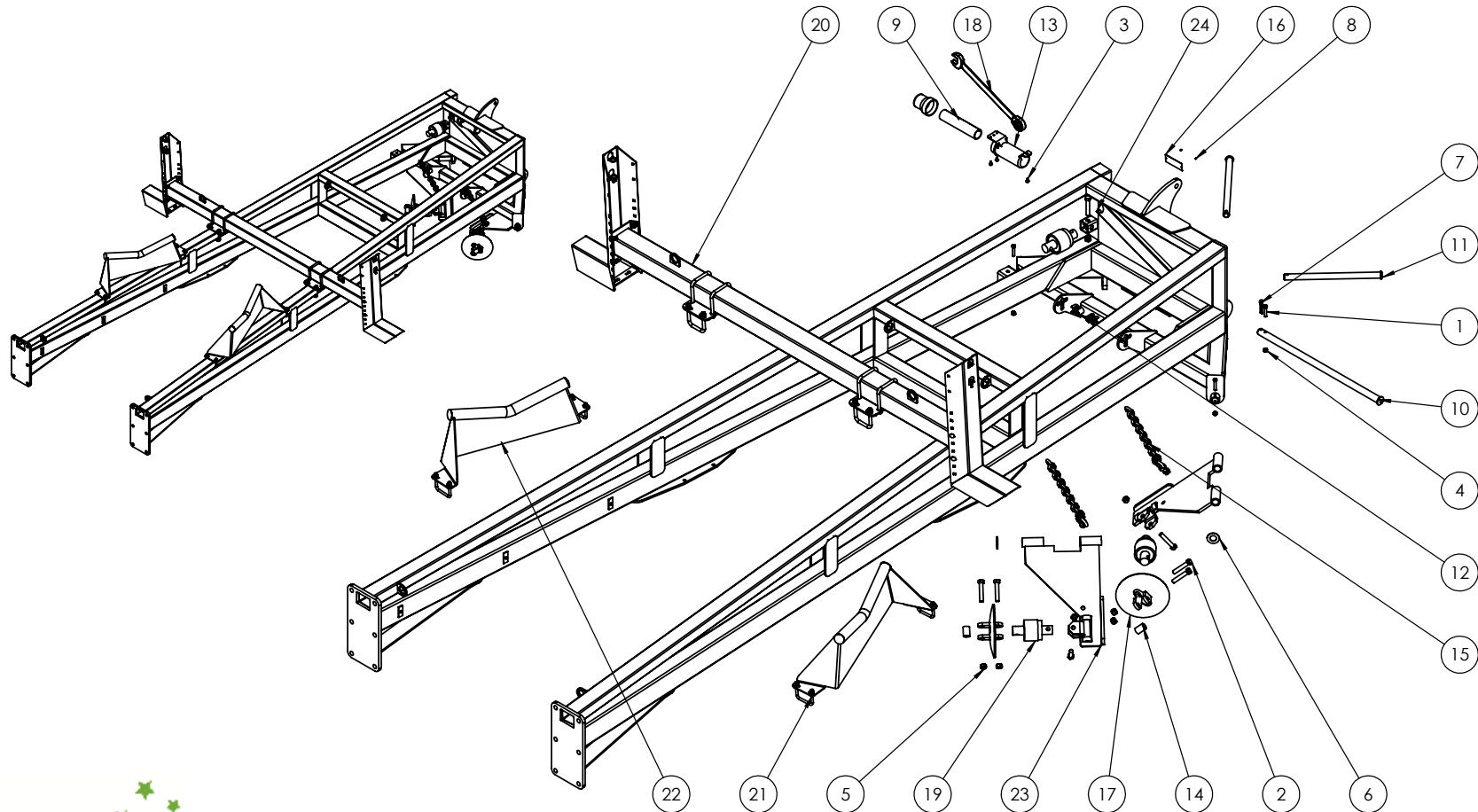
Description  
**Dual Circuit 3 Stage Sequence Manifold V12**

For Machines Built:  
Dec 2017 -

Revision  
**A-0**

ITEM NO.	PART NUMBER	Revision	DESCRIPTION	QTY.
1	0211-1265	A	M12 x 65 grade 8.8 ZP Bolt	3
2	0211-20110 ST	A	M20 x 110 grade 10.9 ZP Short Thread Bolt	7
3	0211-M620MZPHTF		M6 x 20 Trilobe self tapping ScREW	3
4	0221-NYL12		Nyloc Nut M12	3
5	0221-NYL20		Nyloc Nut M20	7
6	0232-HT13-8		Washer High Tensile 1 3/8"	2
7	0261-PINC1363		Cotter Pin M13 x 63	1
8	0271-4X316UDS		4g x 3/16 U Hammer Drive Screw	2
9	0492-OPMAN		Diamond Harrow Operating Instruction Manual	1
10	0801-10-13-970	B	Drawbar Pivot Pin	1
11	0801-10-51	A	Chain Mount Pivot Pin	2
12	0801-KE014	B	Height Adjustor Retaining Clip	2

ITEM NO.	PART NUMBER	Revision	DESCRIPTION	QTY.
13	0801-OMC-1	A	Operator Manual Cannister	1
14	0801-PCDCS55	A	Tie Plate Bush	2
15	0801-PCH24MCA	A	Height Adjusting Chain Assembly	2
16	0801-SDP		Data Plate	1
17	0802-DCTP-20	A	Disc Chain Tie Plate Link 20mm	2
18	0802-GW1 3-4	A	Gear Wrench 1 3/4"	1
19	0802-PCHB55	A	20mm Bolt Swivel Unit	3
20	0810-17-40FA		40' Front Chain Carrier Assembly	1
21	0810-18R-FA	B	Right Hand Front M Assembly	1
22	0810-19L-FA	B	Left Hand Front M Assembly	1
23	0810-20	B	Chain Mt Arm	2
24	0840-02	D-1	40' Front A-Frame	1



Part Number  
**0840-02A**

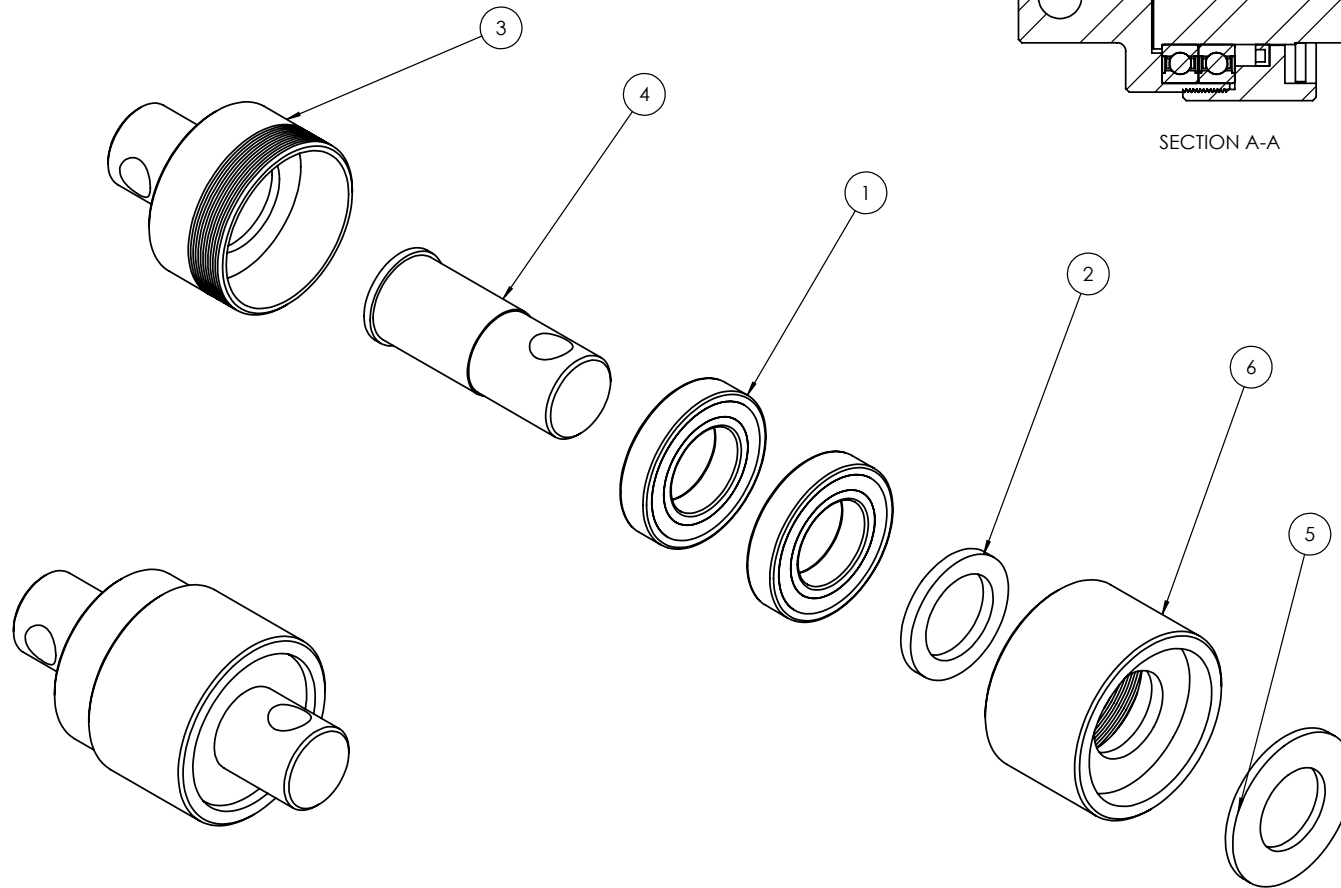
Description  
**40' Front A-Frame Assembly**

For Machines Built:  
0817-

Revision  
**B**



ITEM NO.	PART NUMBER	Revision	DESCRIPTION	QTY.
1	0112-6211		Bearing 6211 2RS	2
2	0121-TC5588		TC Seal 55mm x 80mm x 8mm	1
3	0801-PCHB55H		Housing to Suit PCHB55 Swivel	1
4	0801-PCHB55S		Shaft To Suit PCHB55 Swivel	1
5	0801-PCHB55WA		Washer To Suit PCHB55 Swivel	1
6	0801-PCHB55C		Cap To Suit PCHB55 Swivel	1



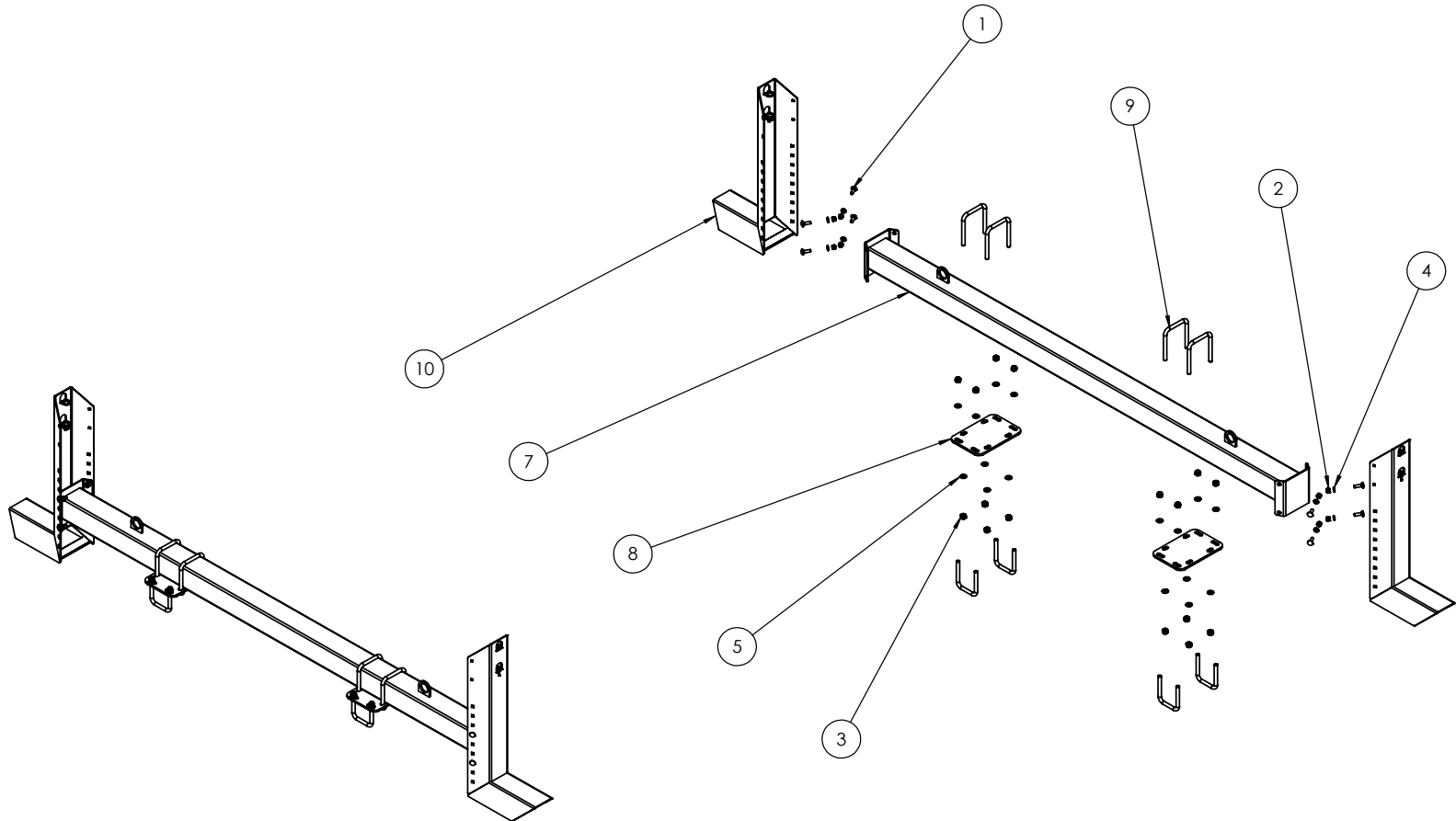
Part Number  
**0802-PCHB55**

Description  
**20mm Bolt Swivel Unit**

For Machines Built:  
2002-

Revision

ITEM NO.	PART NUMBER	Revision	DESCRIPTION	QTY.
1	0215-CH1240		M12 x 40 Coach Head Bolt	8
2	0221-NYL12		Nyloc Nut M12	8
3	0221-NYL16		Nyloc Nut M16	16
4	0231-F12		Washer Flat M12	8
5	0231-F16		Washer Flat M16	16
6	0271-16135104		U-Bolt M16 x 135 Deep x 104 Wide	4
7	0810-17-40		40' Chain Carrier Beam	1
8	0800-139.1	B	Chain Carrier Mount Plate	2
9	0271-16160127		U-Bolt M16 x 160 Deep x 127 Wide	4
10	0810-17L	C	Chain Carrier Bolt on End	2



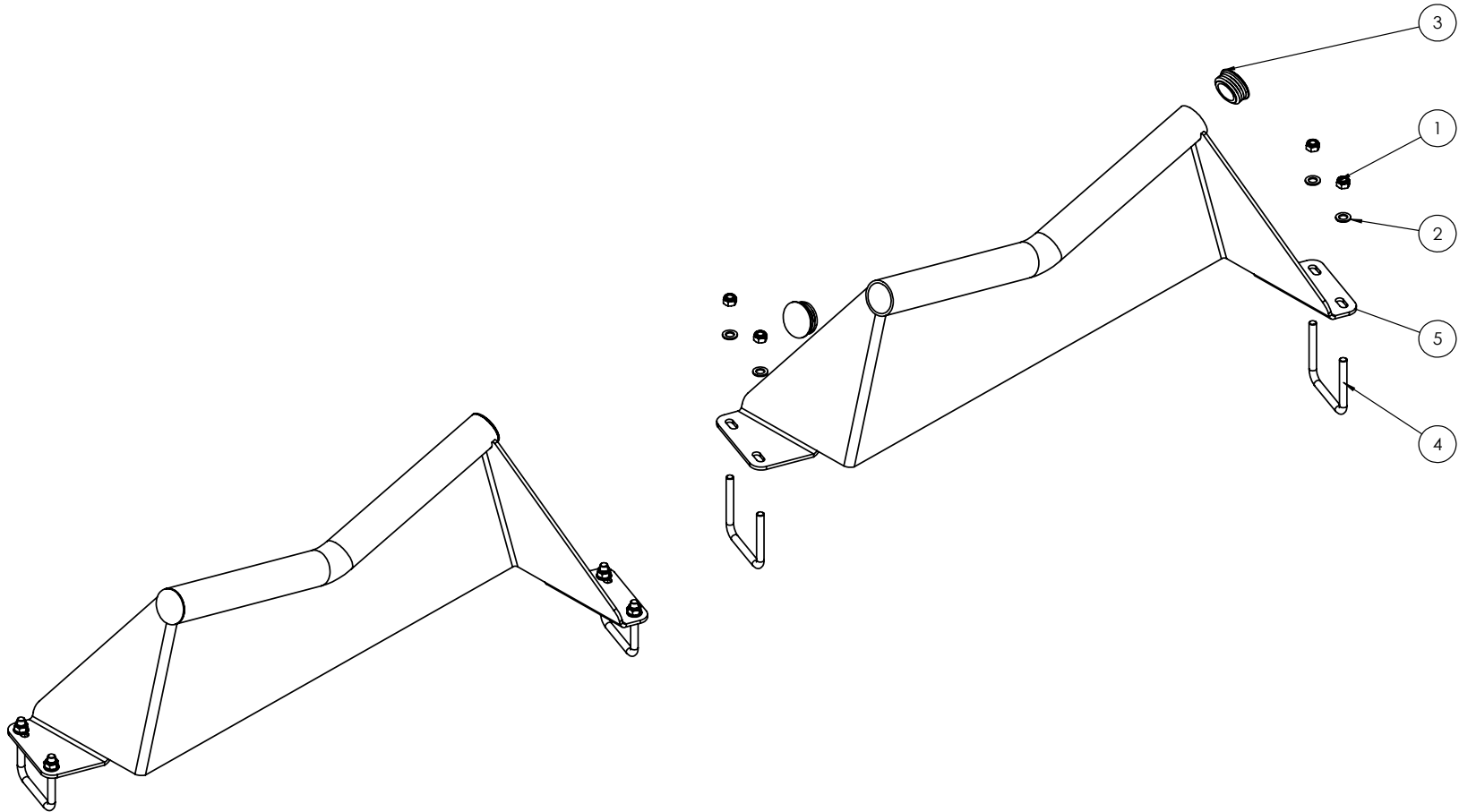
Part Number  
**0810-17-40FA**

Description  
**40' Front Chain Carrier Assembly**

For Machines Built:  
01/01/2013 -

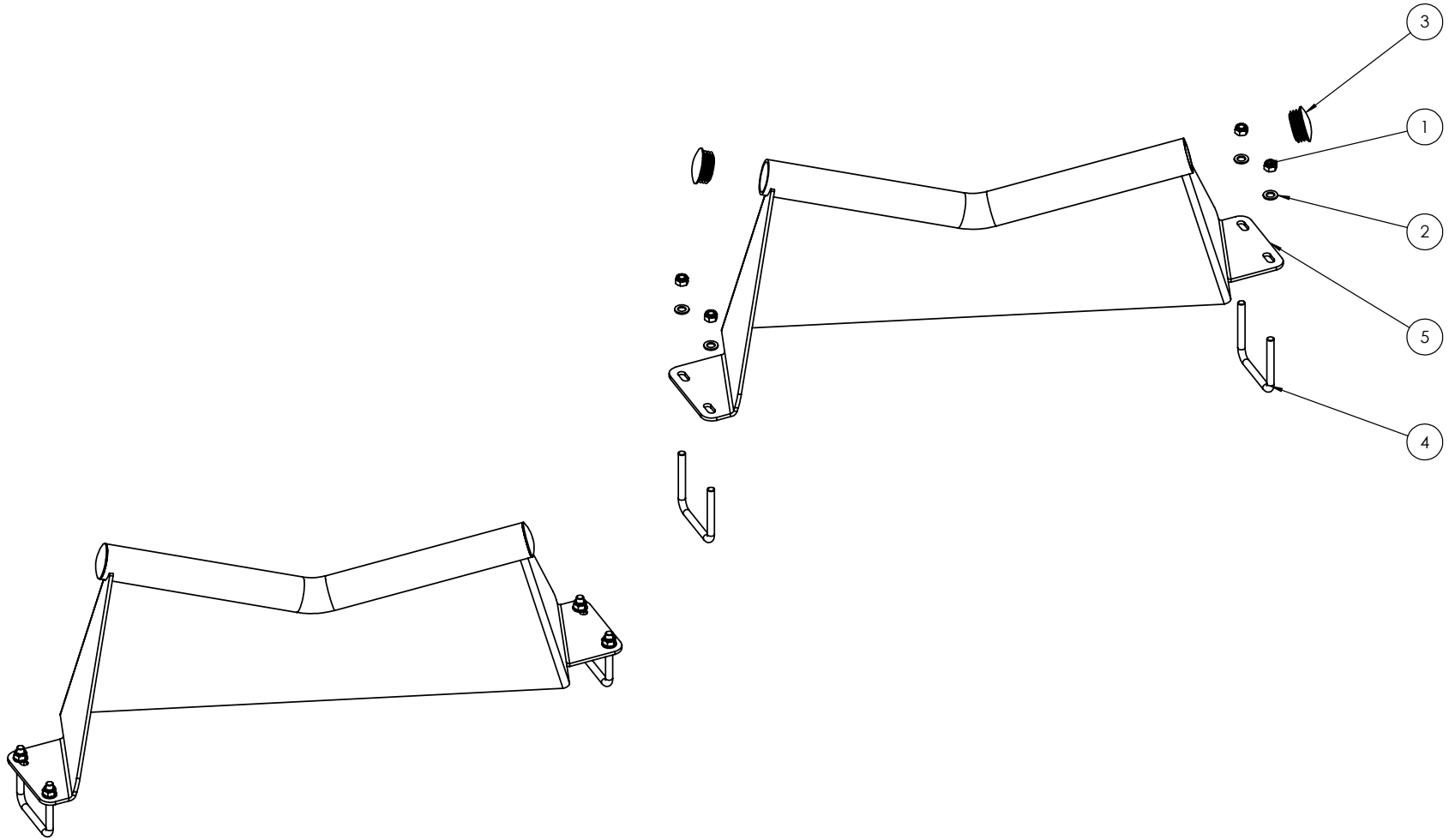
Revision  
**B**

ITEM NO.	PART NUMBER	Revision	DESCRIPTION	QTY.
1	0221-NYL12		Nyloc Nut M12	4
2	0231-F12		Washer Flat M12	4
3	0264-RTRi-5584	A	Round Tube Insert 60.3 x 3.2-5mm	2
4	0271-12105104		U-Bolt M12 x 105 Deep x 104 Wide	2
5	0810-18R	B	Right Hand Off Set M	1



Part Number	Description	For Machines Built:	Revision
<b>0810-18R-FA</b>	Right Hand Front M Assembly		<b>B</b>

ITEM NO.	PART NUMBER	Revision	DESCRIPTION	QTY.
1	0221-NYL12		Nyloc Nut M12	4
2	0231-F12		Washer Flat M12	4
3	0264-RTRI-5584	A	Round Tube Insert 60.3 x 3.2-5mm	2
4	0271-12105104		U-Bolt M12 x 105 Deep x 104 Wide	2
5	0810-19L	B	Left Hand Off Set M	1



Part Number  
**0810-19L-FA**

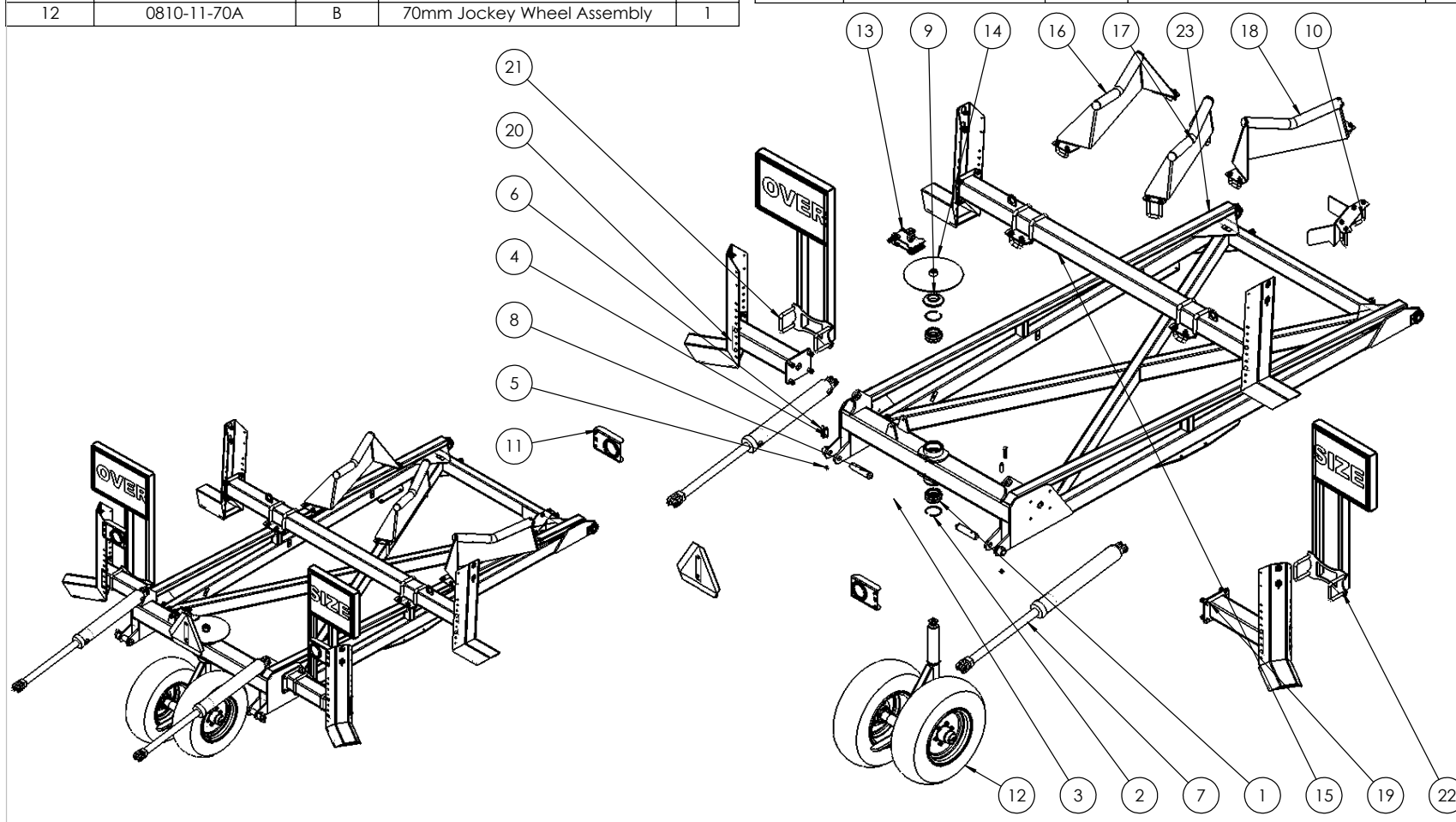
Description  
**Left Hand Front M Assembly**

For Machines Built:

Revision  
**B**

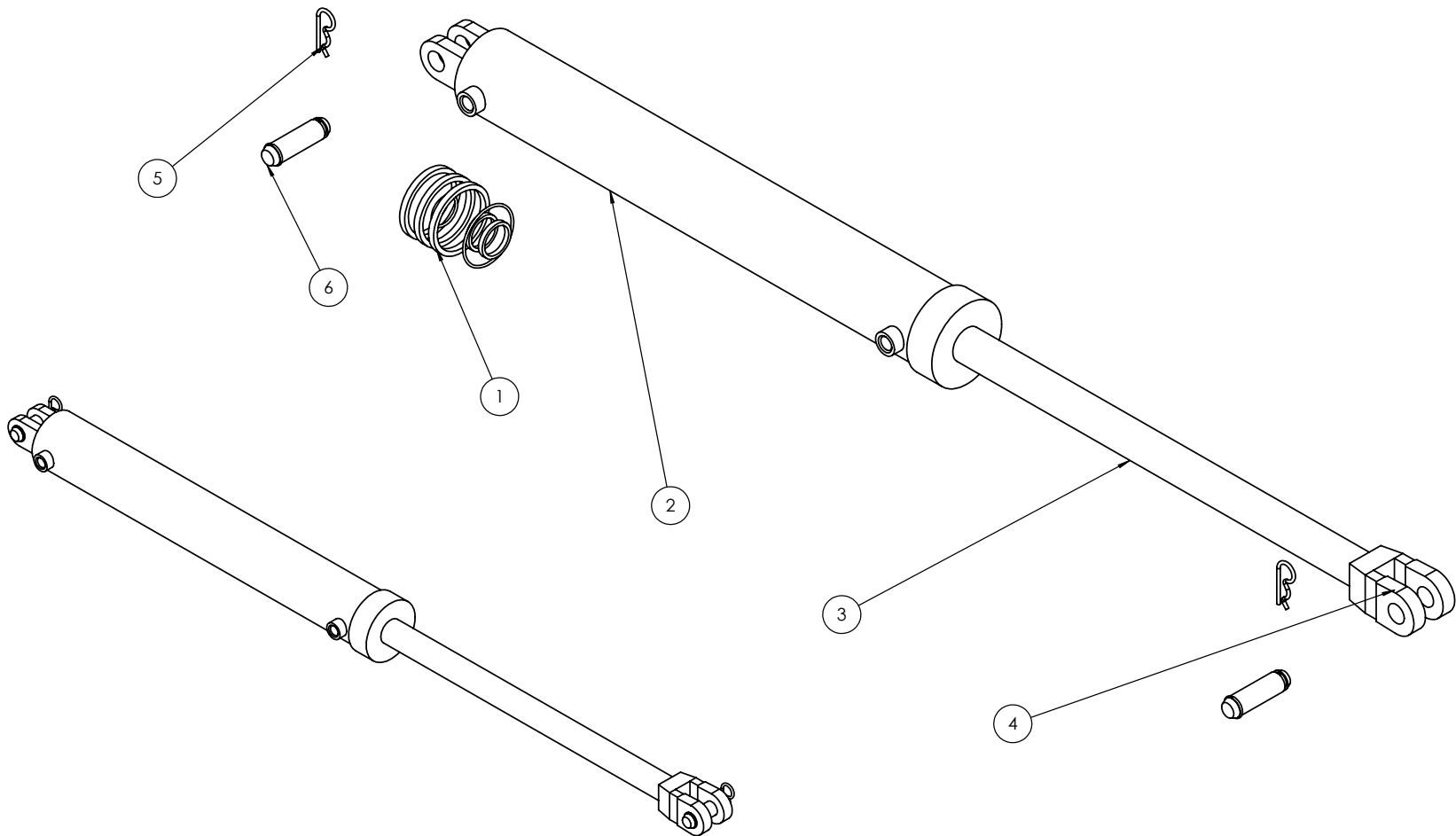
ITEM NO.	PART NUMBER	Revision	DESCRIPTION	QTY.
1	0113-GE70DO-2RS	A	Plain Spherical Bearing 70mm	2
2	0171-J105	A	Circlip Internal 105mm	2
3	0181-GN1-4		Grease Nipple 1/4" UNF	2
4	0211-1265	A	M12 x 65 grade 8.8 ZP Bolt	2
5	0221-NYL12		Nyloc Nut M12	2
6	0261-PINC1363		Cotter Pin M13 x 63	2
7	0311-2958	B	Hyd Cylinder 3.5" x 24"	2
8	0801-10-08-175	A	Tail Frame Pivot pin	2
9	0801-KE0705-13	A	70mm Polymer dust cap	1
10	0802-230	A	Rear A-Frame Chain Shield Assembly	1
11	0810-03EB	A	Rear A-Frame Export Sign/Light Brackets	1
12	0810-11-70A	B	70mm Jockey Wheel Assembly	1

ITEM NO.	PART NUMBER	Revision	DESCRIPTION	QTY.
13	0810-12CAL	C	Jockey Wheel Brake Caliper	1
14	0810-12DISC	A	Jockey Wheel Brake Disc	1
15	0810-17-40RA		40' Rear Chain Carrier Assembly	1
16	0810-18R-RA	B	Left Hand Rear M Assembly	1
17	0810-19A	B	Centre Rear M Assembly	1
18	0810-19L-RA	B	Right Hand Rear M Assembly	1
19	0810-109A	A	Outrigger Assembly	1
20	0810-109A	A	Outrigger Assembly	1
21	0810-110A	A	LH Oversize Sign Assembly	1
22	0810-111A	A	RH Oversize Sign Assembly	1
23	0840-03	C	40' Rear A-Frame	1



Part Number <b>0840-03A</b>	Description 40' Rear A-Frame Assembly	For Machines Built:	Revision C
--------------------------------	--	---------------------	---------------

ITEM NO.	PART NUMBER	Revision	DESCRIPTION	QTY.
1	0312-EF0202		Seal Kit 3.5"	1
2	0313-2958B	A	3.5" x 24" Hydraulic Cylinder Barrel	1
3	0313-2958R	A	3.5" x 24" Hydraulic Cylinder Rod	1
4	0313-6002C		Clevis For 2957, 5041, 6002, 2958 Cylinders	1
5	0511-RCLIP4		R Clip 4mm	2
6	0801-44082938	A	Clevis Pin 1" x 75mm	2



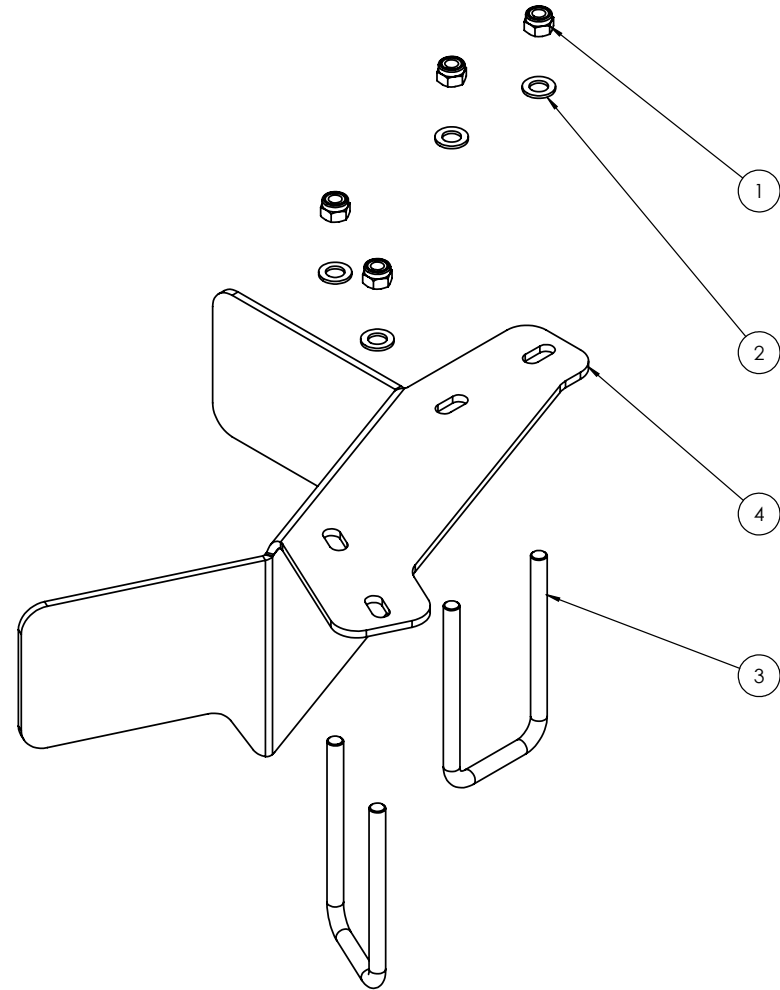
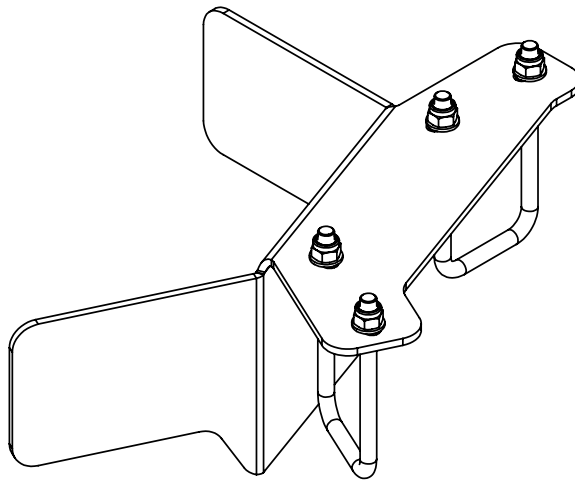
Part Number  
**0311-2958**

Description  
Hyd Cylinder 3.5" x 24"

For Machines Built:  
65'(112043-65)-

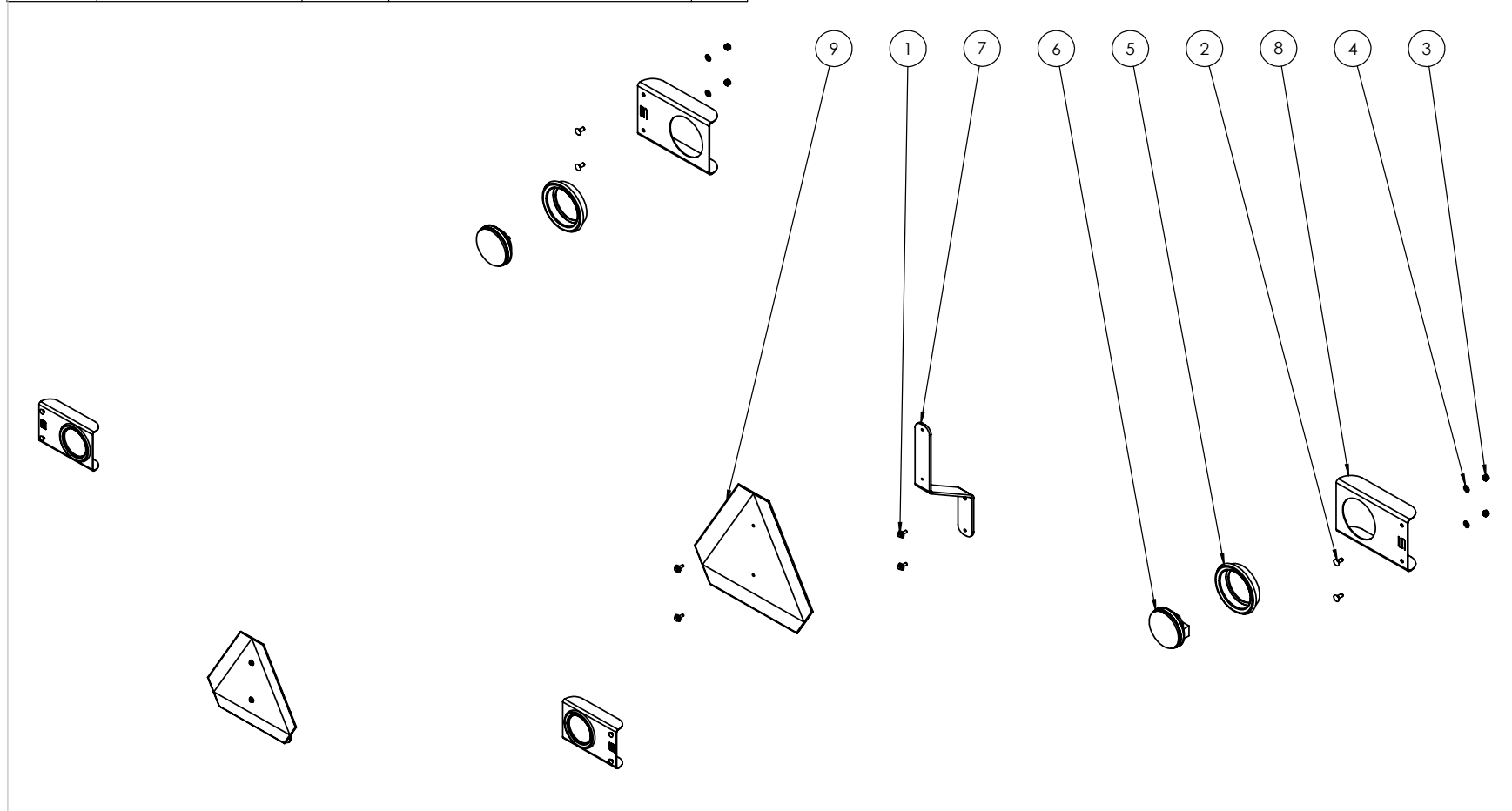
Revision  
**B**

ITEM NO.	PART NUMBER	Revision	DESCRIPTION	QTY.
1	0221-NYL12		Nyloc Nut M12	4
2	0231-F12		Washer Flat M12	4
3	0271-1215577		U-Bolt M12 x 155 Deep x 77 Wide	2
4	0800-230	A	Rear A-Frame Chain Shield	1



Part Number <b>0802-230</b>	Description Rear A-Frame Chain Shield Assembly	For Machines Built:	Revision A
--------------------------------	---	---------------------	---------------

ITEM NO.	PART NUMBER	Revision	DESCRIPTION	QTY.
1	0211-M620MZPHTF		M6 x 20 Trilobe self tapping ScREW	4
2	0215-CH0820	A	M8 x 20 Coach Head Bolt	4
3	0221-NYL8		Nyloc Nut M8	4
4	0231-F8		Washer Flat M8	4
5	0412-53101RG	A	110RM Rubber Grommet	2
6	0412-LED110RM	A	LED Stop Tail Lamp	2
7	0800-195.1	B	SMV Sign Bracket	1
8	0800-295	A	Rear Light Bracket	2
9	0801-FBSMVTUF	A	Slow Moving Vehical Sign	1



Used On Export Machines Only



Part Number  
**0810-03EB**

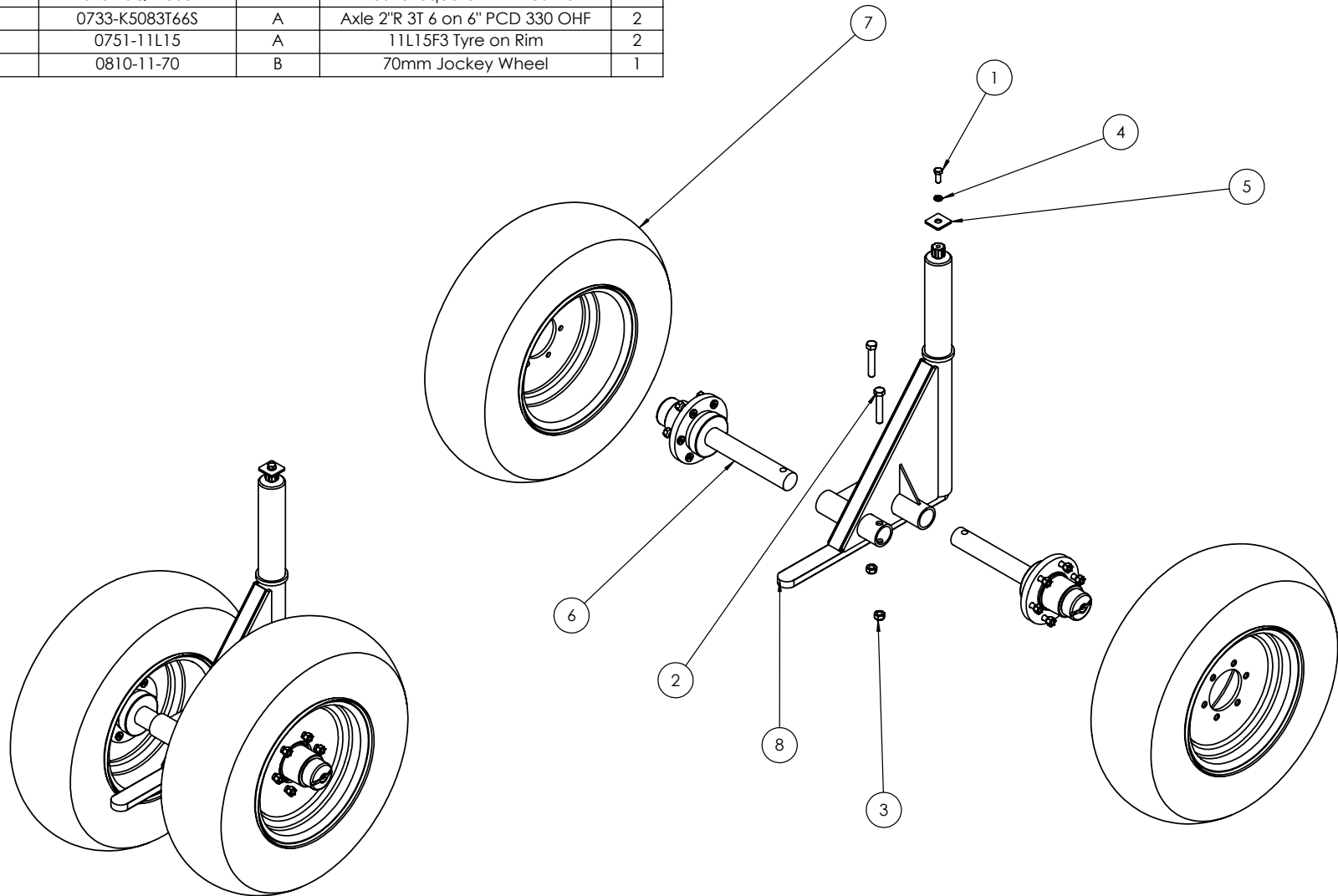
Description  
Rear A-Frame Export Sign/Light Brackets

For Machines Built:  
All Export (1/8/2013)-

Revision  
**A**



ITEM NO.	PART NUMBER	Revision	DESCRIPTION	QTY.
1	0211-1230	A	M12 x 30 grade 8.8 ZP Bolt	1
2	0211-1690	A	M16 x 90 grade 8.8 zp Bolt	2
3	0221-NYL16		Nyloc Nut M16	2
4	0231-S12		Washer Spring M12	1
5	0231-SQ12505	A	Washer Square M12 x 50 x 5	1
6	0733-K5083T66S	A	Axle 2"R 3T 6 on 6" PCD 330 OHF	2
7	0751-11L15	A	11L15F3 Tyre on Rim	2
8	0810-11-70	B	70mm Jockey Wheel	1



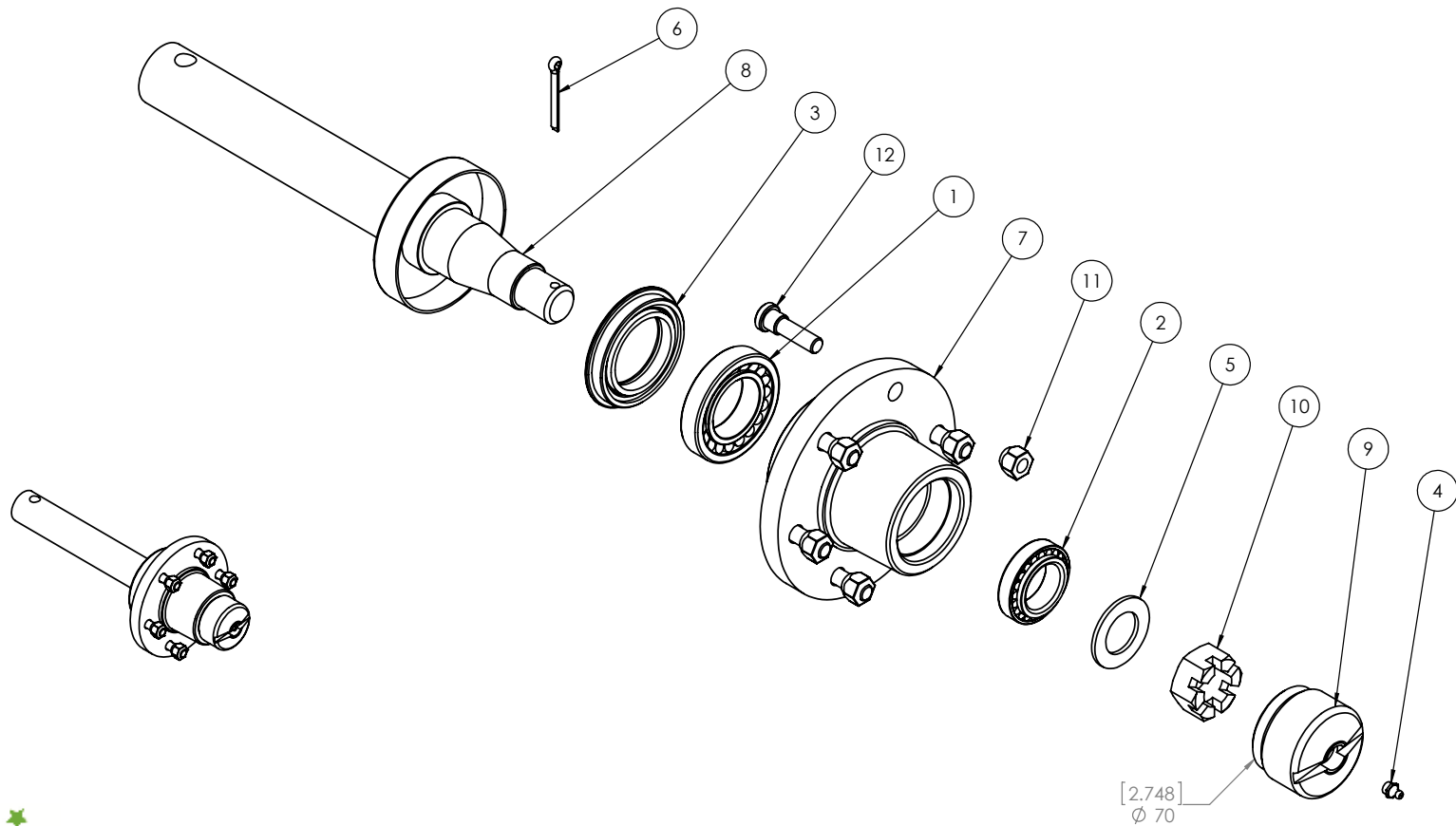
Part Number  
**0810-11-70A**

Description  
**70mm Jockey Wheel Assembly**

For Machines Built:  
26/11/2009

Revision  
**B**

ITEM NO.	PART NUMBER	Revision	DESCRIPTION	QTY.
1	0111-30210		Bearing Tapered Roller 50x90x21.75	1
2	0111-LM29749-10		Bearing Tapered Roller 38.1x65.088x18.034	1
3	0121-AP64607	A	AP7 Seal 90 x 60.3 x 10mm	1
4	0181-GN1-8	A	Grease Nipple 1/8" BSP	1
5	0232-F11-4		Washer Flat 1 1/4"	1
6	0261-PINC650		Cotter Pin M6 x 50mm	1
7	0731-H83660	A	3T 6 on 6" Hub Only	1
8	0732-K5083TS	A	2" Round 330 OHF Stub Only	1
9	0741-D-CAPLC4T	A	Dust Cap Ali 70 Round	1
10	0741-NCAST114	A	Castle Nut 1 1/4" x 12	1
11	0741-NWH1-2	A	Wheel Nut 1/2"	6
12	0741-WS1-2	A	Wheel Stud 1/2" x 2"	6



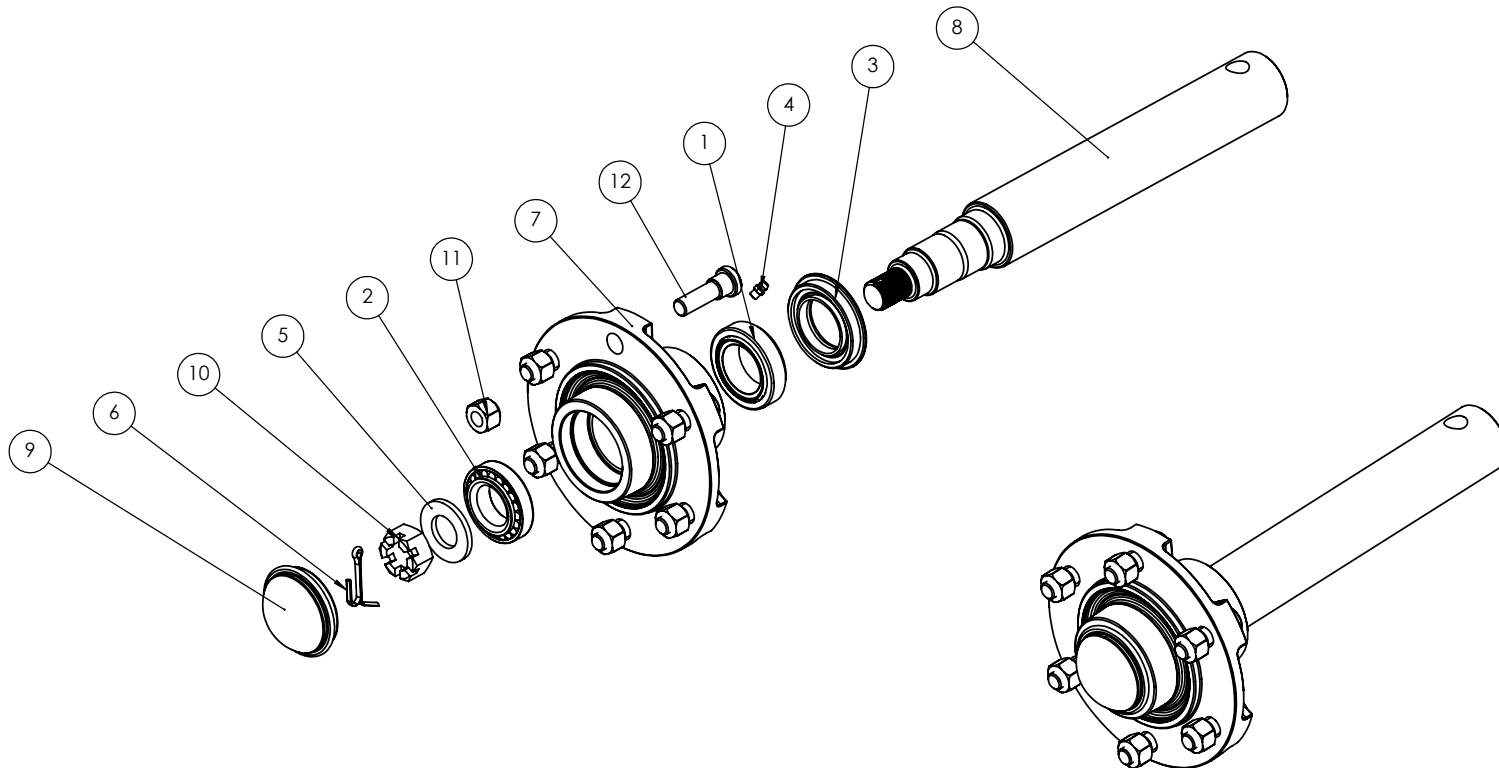
Part Number  
**0733-K5083T66S**

Description  
**Axle 2"R 3T 6 on 6" PCD 330 OHF**

For Machines Built:  
26/11/09-

Revision  
**A**

ITEM NO.	PART NUMBER	DESCRIPTION	QTY.
1	0111-JL69349-10	Bearing JL69349/10 Cone/Cup	1
2	0111-LM67048-10	Bearing LM67048/10 Cone/Cup	1
3	0121-P602144	Seal 1.63 x 2.57 x .31	1
4	0181-GN1-4	Grease Nipple 1/4" UNF	1
5	0232-F7-8	Washer Flat 7/8"	1
6	0261-PINC450	Cotter Pin M5 x 50	1
7	0731-H8880093	GKN 3T 6 on 6" Hub only	1
8	0732-LS9631J-26	GKN 4T 2" x 15.766" Stub/Spindle	1
9	0741-D-CAPGKN3T	Dust Cap GKN 3T	1
10	0741-NCAST78	Castle Nut 7/8" x 14	1
11	0741-NWH1-2-90	Wheel Nut 1/2" UNF, 90 Deg	6
12	0741-WS1-2-1-7-8	Wheel Stud 1/2" UNF x 1-7/8"	6

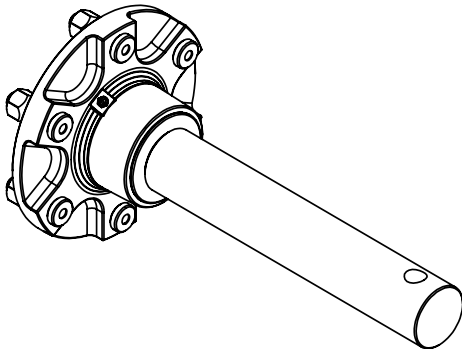
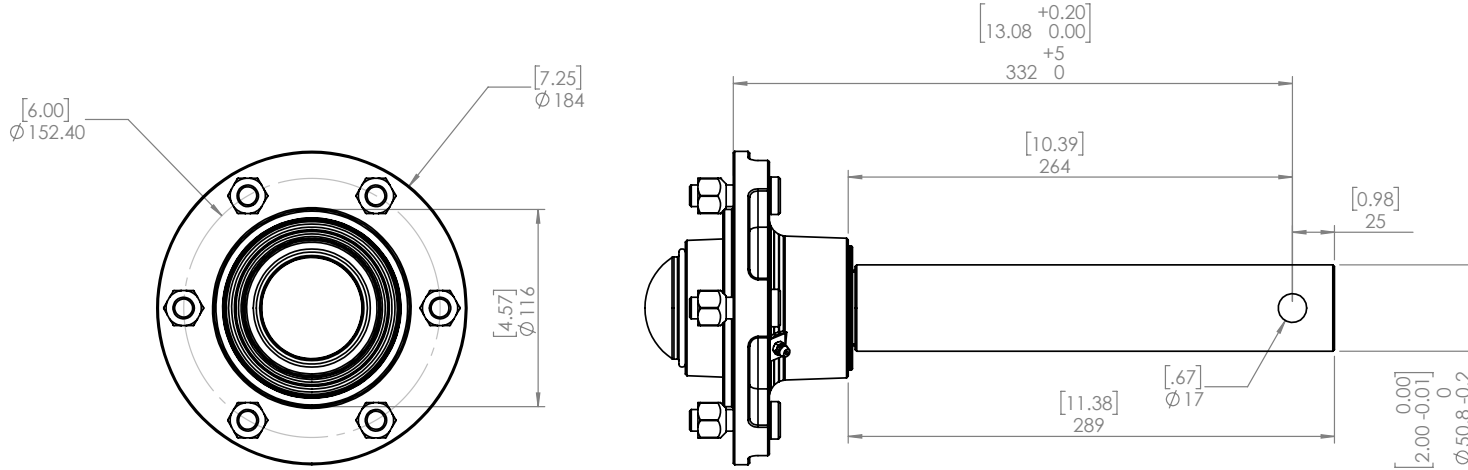


Part Number  
**0733-LG8880093**


Description  
Axle 2'R 3T 6 on 6"PCD 330 OHF  
Complete Assembly Inc GS



For Machines Built:

Revision  
**A-0**

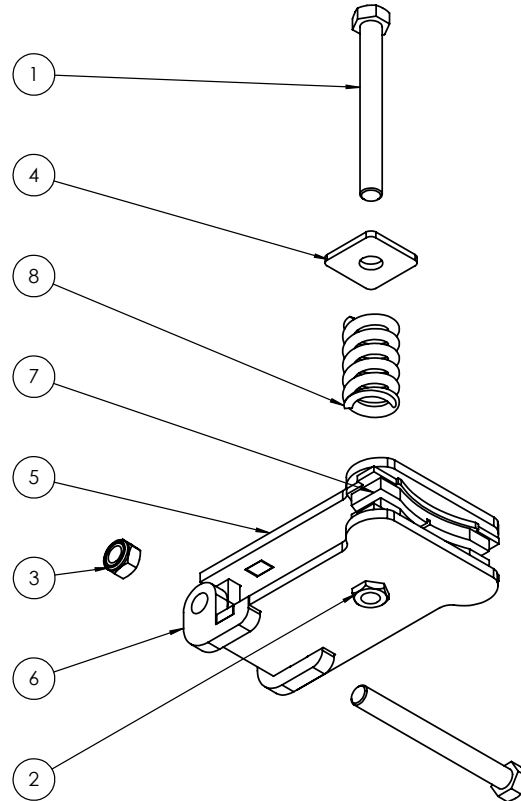
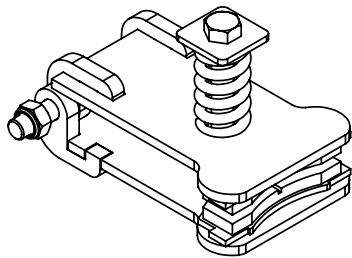


Rev	Date	Revision Description
A-0	22-Nov-18	New Part
1		2

				
For Machines Built:				
	NAME	SIGNATURE	DATE	MATERIAL:
DRAWN	B Hooper	<i>Approval via EPDM</i>	20/11/2018	
CHK'D	L Healy		22/11/2018	
APPV'D	R Dunlop		22/11/2018	WEIGHT: 10.873Kg

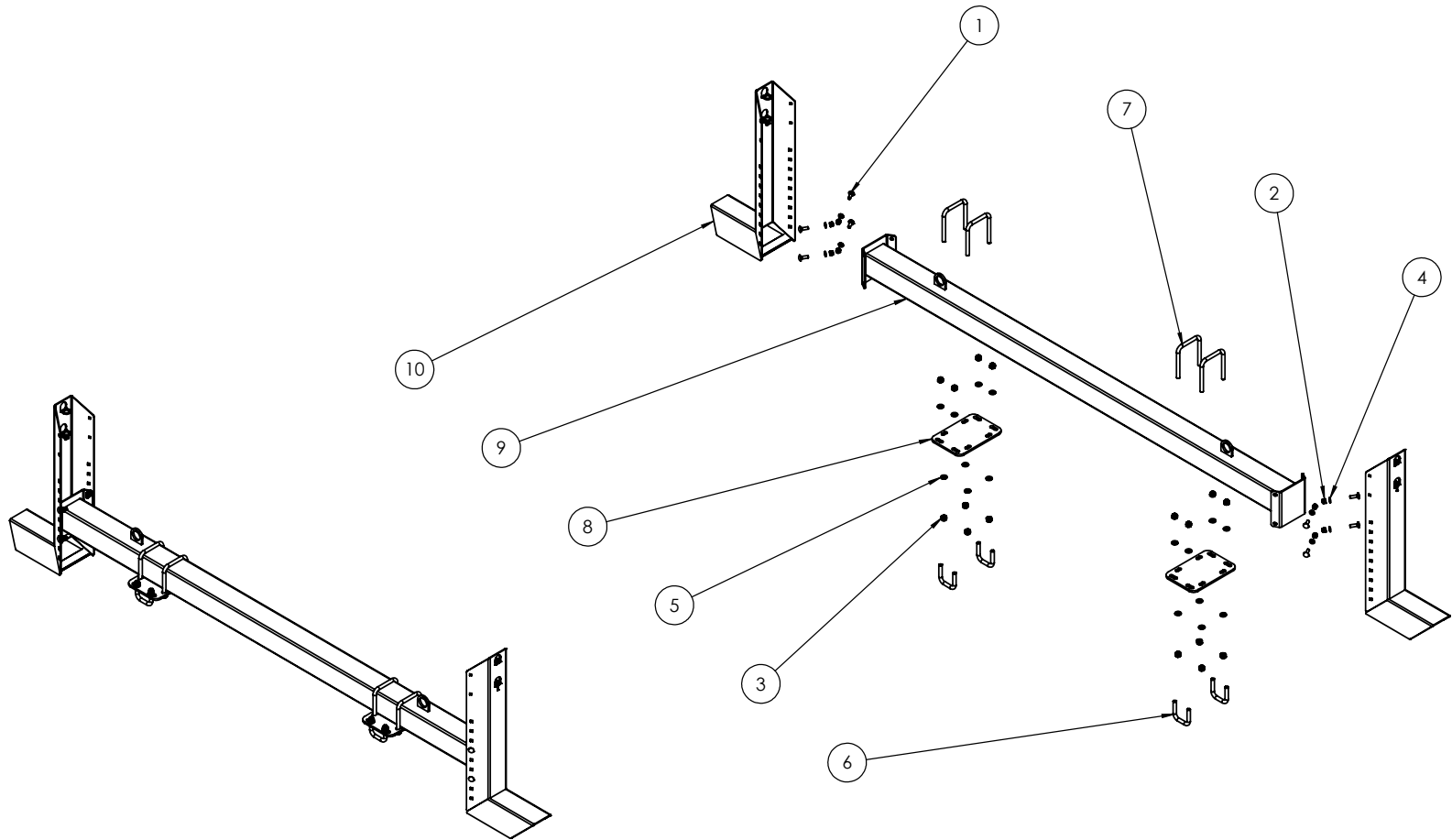
 	DO NOT SCALE DRAWING	REVISION <b>A-0</b>
<b>Tolerance (UNO)</b> XX ± 0.1mm X ± 0.2mm .X ± 0.5mm .XX ± 1.0mm .XXX ± 2.0mm XXXX ± 3.0mm X* ± 0.1" X* ± 0.5"	TITLE: <b>Axle 2"R 3T 6 on 6"PCD 330 OHF                  Complete Assembly Inc GS</b>	
	DWG NO. <b>0733-LG8880093</b>	<b>A</b>
	SCALE:1:20	SHEET 2 OF 2

ITEM NO.	PART NUMBER	Description 2	QTY.
1	0211-16150	M16 x 150 grade 8.8 zp Bolt	2
2	0221-16	Nut M16	1
3	0221-NYL16	Nyloc Nut M16	1
4	0231-SQ16505	Washer Square M16 x 50 x 5	1
5	0800-03.1	Brake Caliper Plate	2
6	0800-291	Brake Caliper Pivot Plate	4
7	0801-DB11105	Disc Pads DB11105	2
8	0801-KE009	Brake Compression Spring	1



Part Number	Description	For Machines Built:	Revision
<b>0810-12 CAL</b>	Jockey Wheel Brake Caliper	01/07/2013 -	C

ITEM NO.	PART NUMBER	Revision	DESCRIPTION	QTY.
1	0215-CH1240		M12 x 40 Coach Head Bolt	8
2	0221-NYL12		Nyloc Nut M12	8
3	0221-NYL16		Nyloc Nut M16	16
4	0231-F12		Washer Flat M12	8
5	0231-F16		Washer Flat M16	16
6	0271-168577		U-Bolt M16 x 85 Deep X 77 Wide	4
7	0271-16160127		U-Bolt M16 x 160 Deep x 127 Wide	4
8	0800-139.1	B	Chain Carrier Mount Plate	2
9	0810-17-40		40' Chain Carrier Beam	1
10	0810-17L	C	Chain Carrier Bolt on End	2



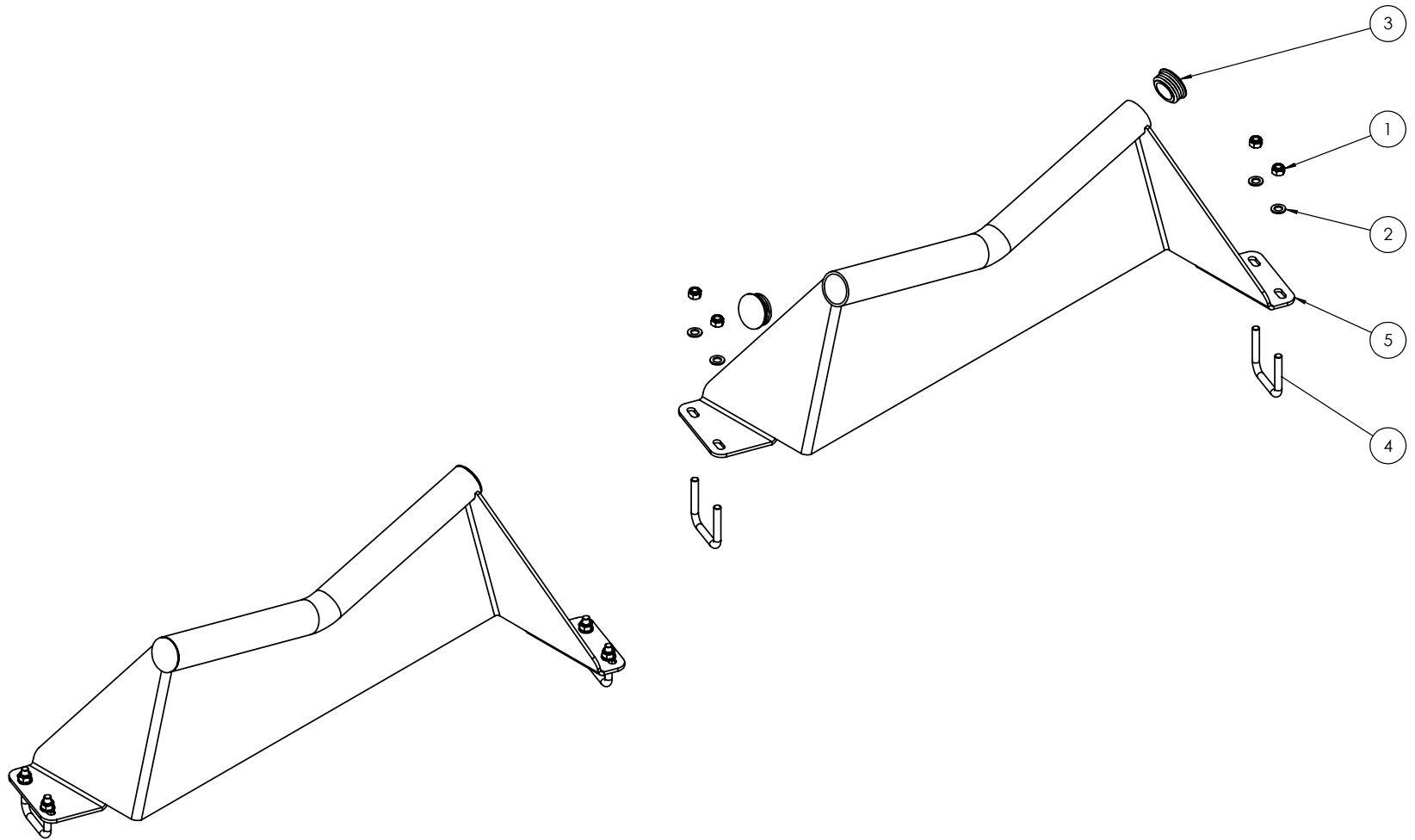
Part Number  
**0810-17-40RA**

Description  
**40' Rear Chain Carrier Assembly**

For Machines Built:

Revision  
**B**

ITEM NO.	PART NUMBER	Revision	DESCRIPTION	QTY.
1	0221-NYL12		Nyloc Nut M12	4
2	0231-F12		Washer Flat M12	4
3	0264-RTRi-5584	A	Round Tube Insert 60.3 x 3.2-5mm	2
4	0271-128077		U-Bolt M12 x 80 Deep x 77 Wide	2
5	0810-18R	B	Right Hand Off Set M	1



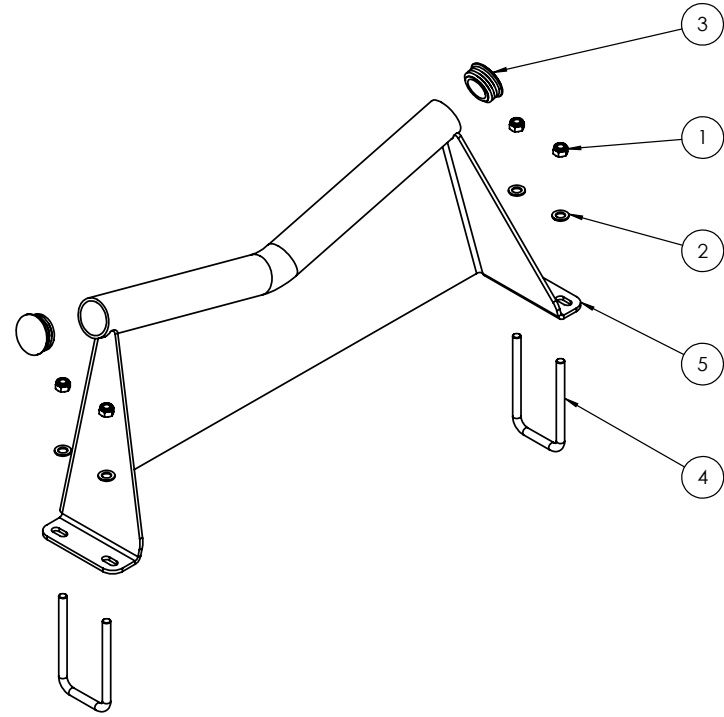
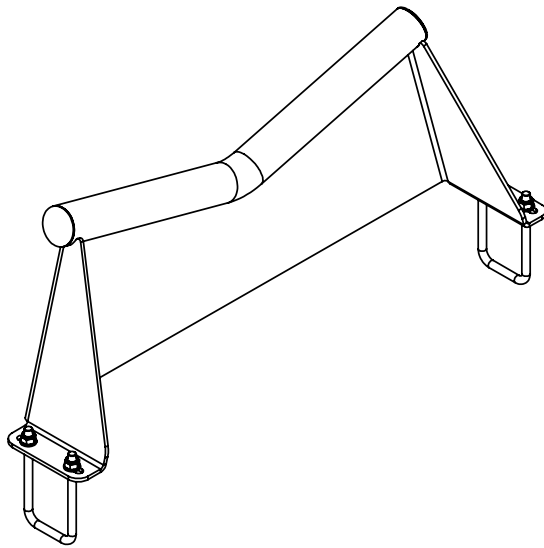
Part Number  
**0810-18R-RA**

Description  
**Left Hand Rear M Assembly**

For Machines Built:

Revision  
**B**

ITEM NO.	PART NUMBER	Revision	DESCRIPTION	QTY.
1	0221-NYL12		Nyloc Nut M12	4
2	0231-F12		Washer Flat M12	4
3	0264-RTRI-5584	A	Round Tube Insert 60.3 x 3.2-5mm	2
4	0271-1215577		U-Bolt M12 x 155 Deep x 77 Wide	2
5	0810-19	D	Straight Chain Carrier M	1



Part Number  
**0810-19A**

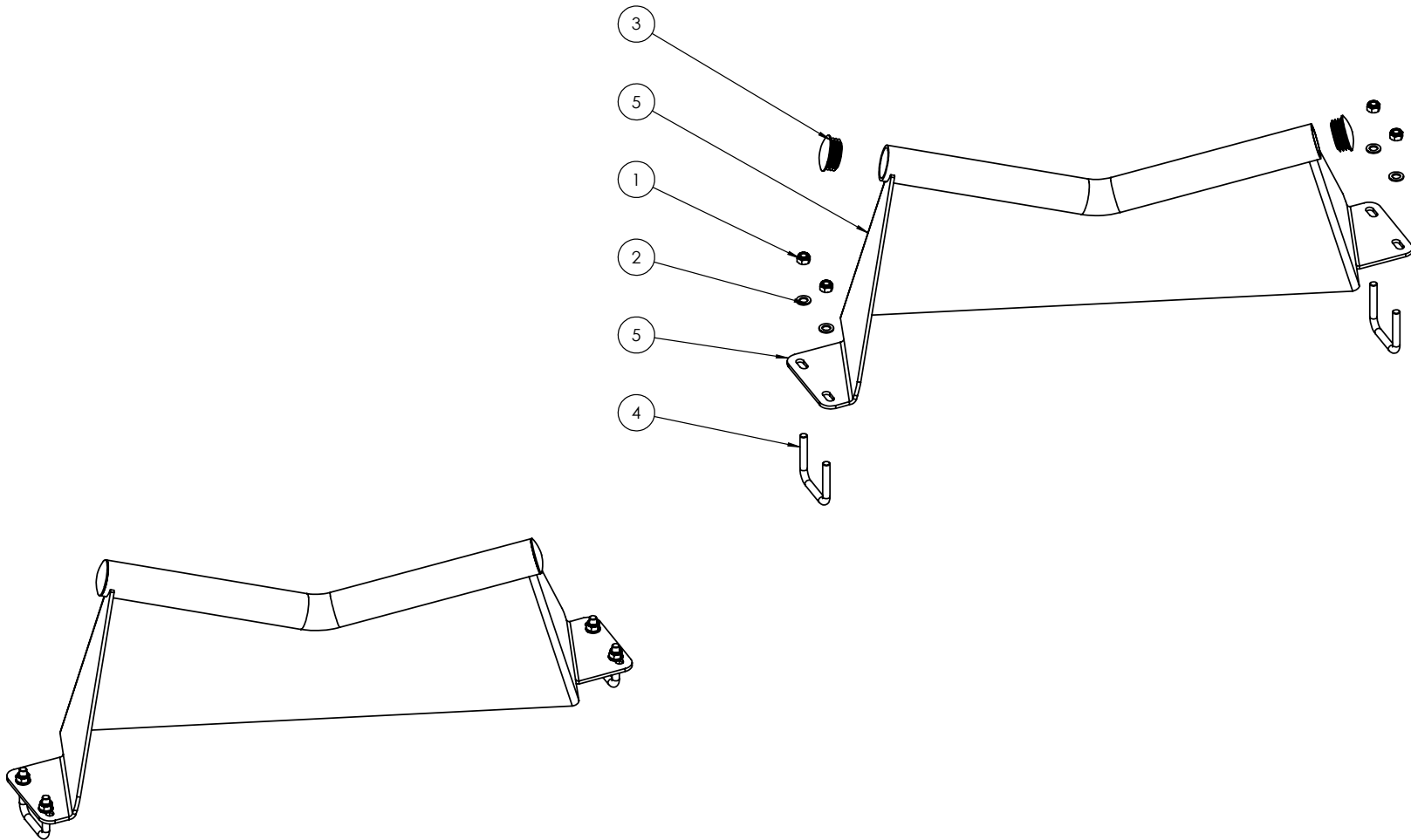
Description  
**Centre Rear M Assembly**

For Machines Built:

Revision  
**B**



ITEM NO.	PART NUMBER	Revision	DESCRIPTION	QTY.
1	0221-NYL12		Nyloc Nut M12	4
2	0231-F12		Washer Flat M12	4
3	0264-RTRi-5584	A	Round Tube Insert 60.3 x 3.2-5mm	2
4	0271-128077		U-Bolt M12 x 80 Deep x 77 Wide	2
5	0810-19L	B	Left Hand Off Set M	1



Part Number  
**0810-19L-RA**

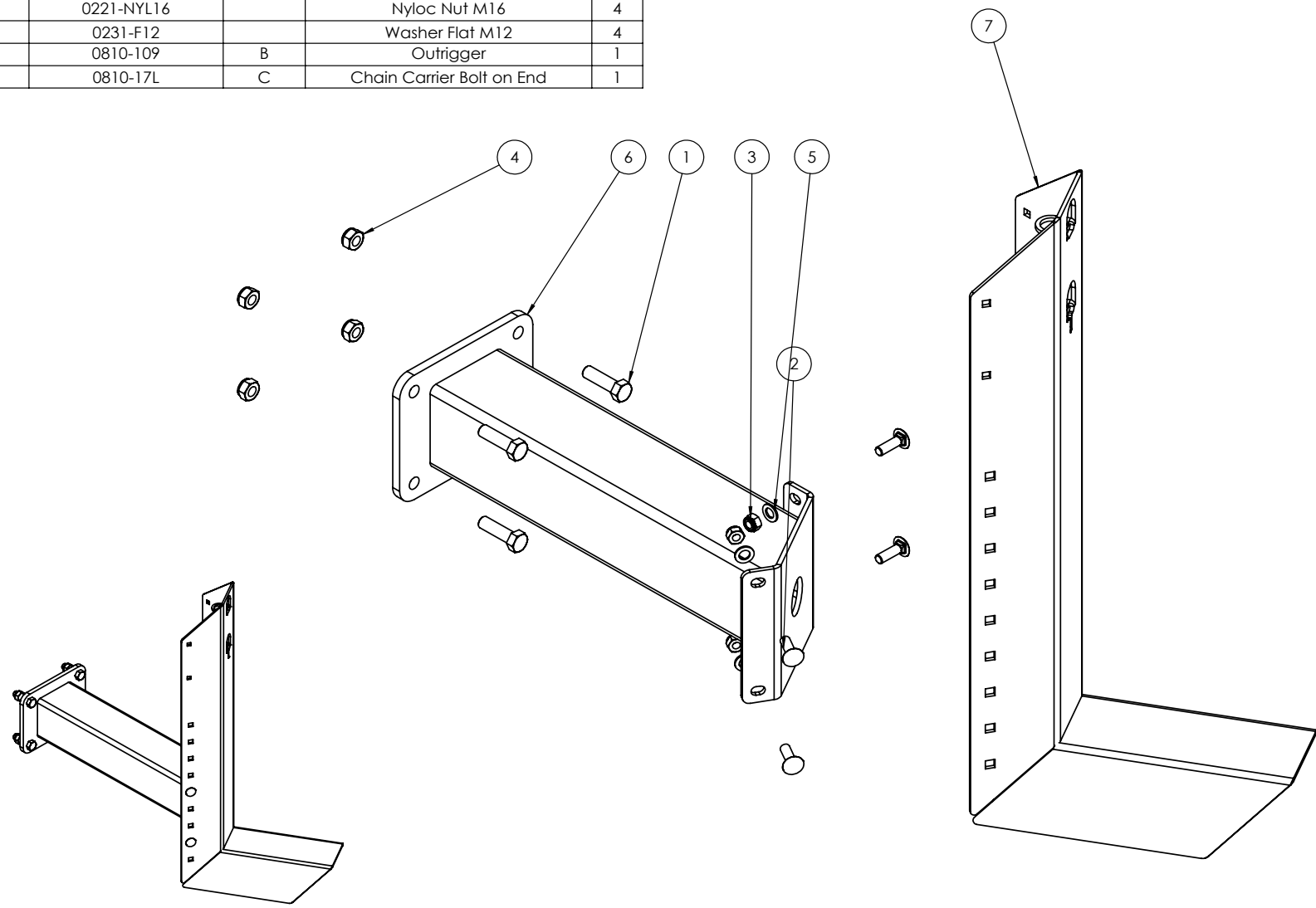
Description  
**Right Hand Rear M Assembly**

For Machines Built:

Revision

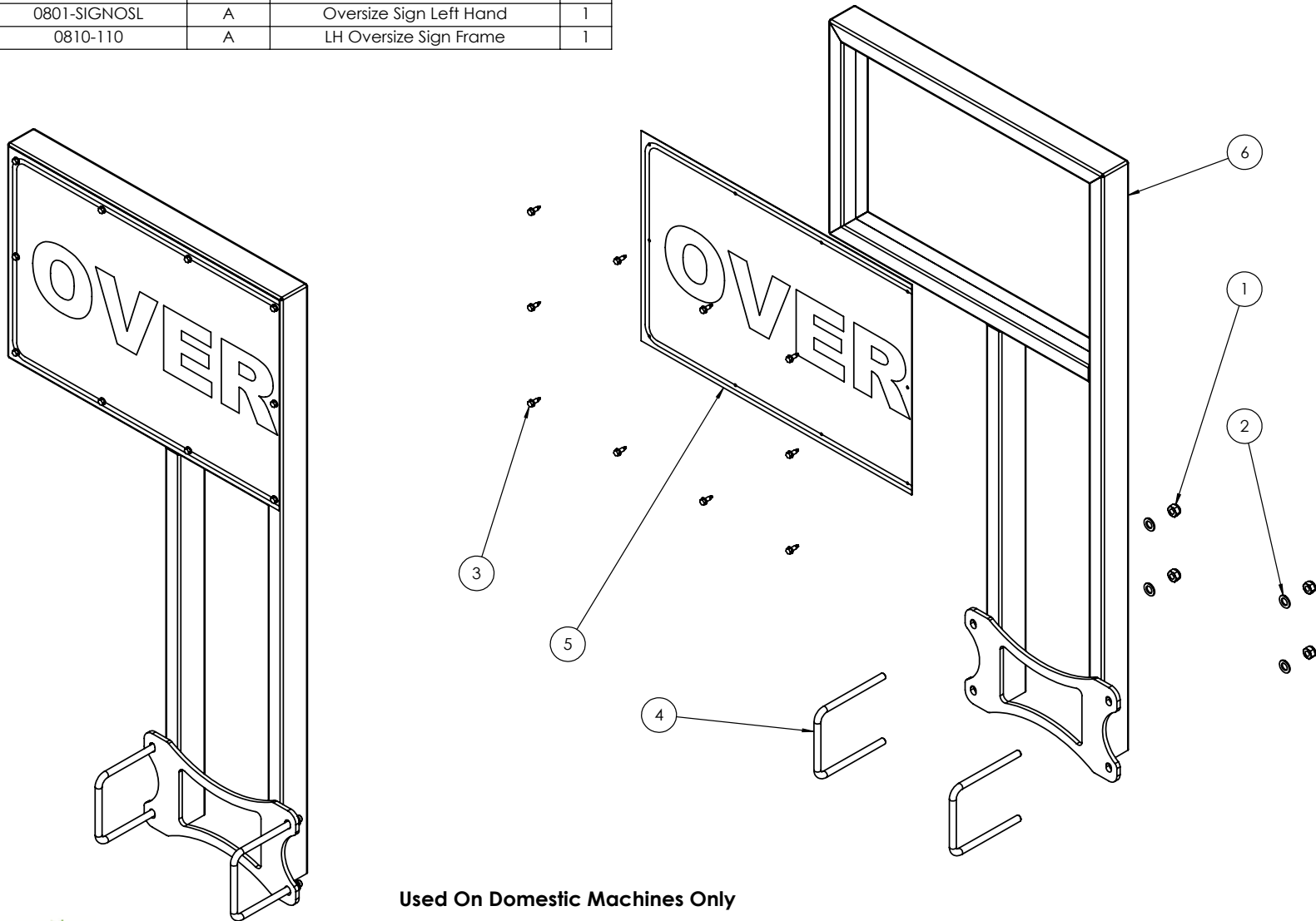
**B**

ITEM NO.	PART NUMBER	Revision	DESCRIPTION	QTY.
1	0211-1655	A	M16 x 55 grade 8.8 zp Bolt	4
2	0215-CH1240		M12 x 40 Coach Head Bolt	4
3	0221-NYL12		Nyloc Nut M12	4
4	0221-NYL16		Nyloc Nut M16	4
5	0231-F12		Washer Flat M12	4
6	0810-109	B	Outrigger	1
7	0810-17L	C	Chain Carrier Bolt on End	1



Part Number <b>0810-109A</b>	Description <b>Outrigger Assembly</b>	For Machines Built: All(2011)-	Revision <b>A</b>
---------------------------------	--	-----------------------------------	----------------------

ITEM NO.	PART NUMBER	Revision	DESCRIPTION	QTY.
1	0221-NYL12		Nyloc Nut M12	4
2	0231-F12		Washer Flat M12	4
3	0241-TEK10-1616		TEK Screw 10g 16 x 16	10
4	0271-12155127		U-Bolt M12 x 155 Deep x 127 Wide	2
5	0801-SIGNOSL	A	Oversize Sign Left Hand	1
6	0810-110	A	LH Oversize Sign Frame	1



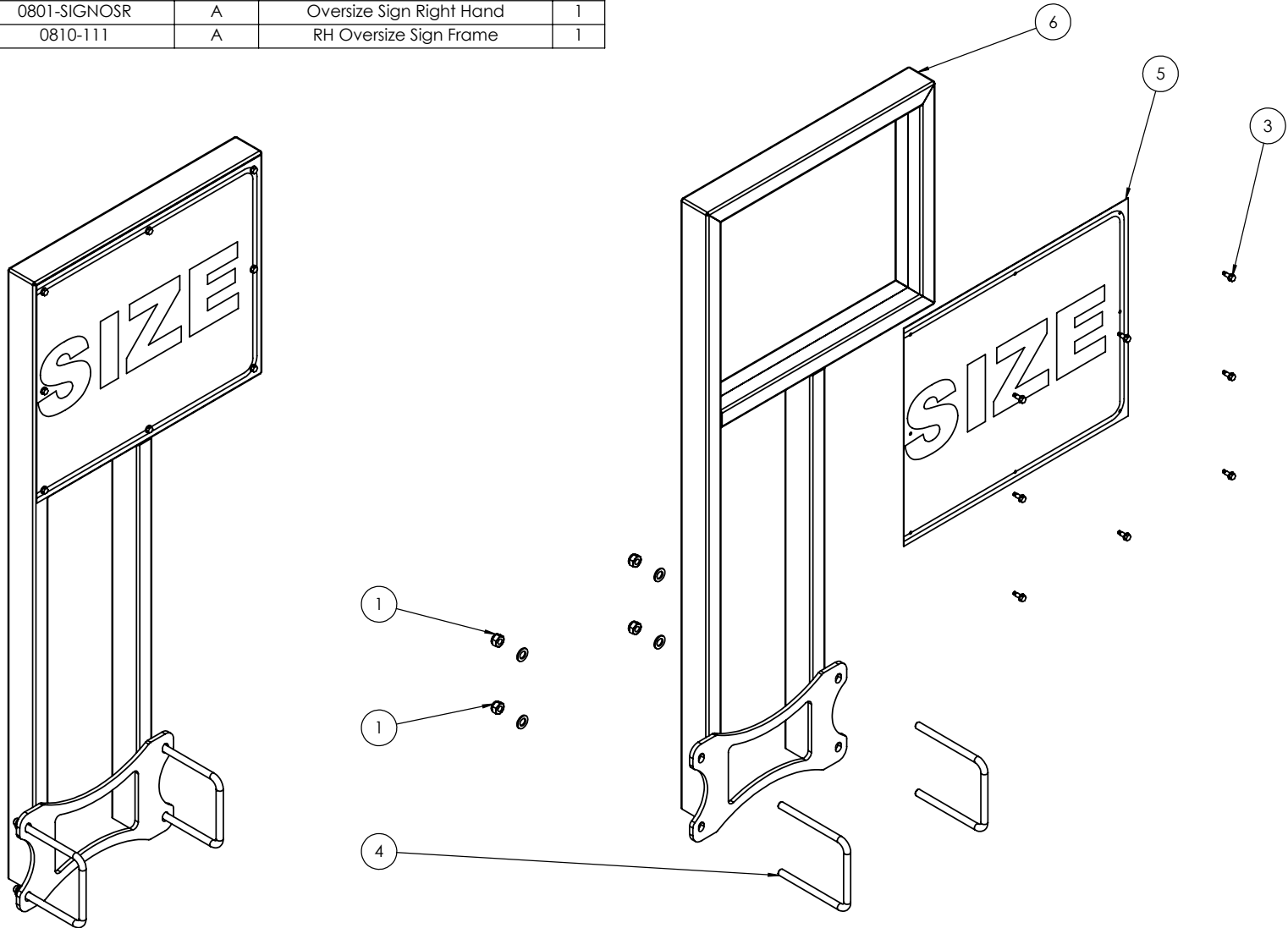
Part Number  
**0810-110A**

Description  
**LH Oversize Sign Assembly**

For Machines Built:  
18/9/2012 -

Revision  
**A**

ITEM NO.	PART NUMBER	Revision	DESCRIPTION	QTY.
1	0221-NYL12		Nyloc Nut M12	4
2	0231-F12		Washer Flat M12	4
3	0241-TEK10-1616		TEK Screw 10g 16 x 16	8
4	0271-12155127		U-Bolt M12 x 155 Deep x 127 Wide	2
5	0801-SIGNOSR	A	Oversize Sign Right Hand	1
6	0810-111	A	RH Oversize Sign Frame	1

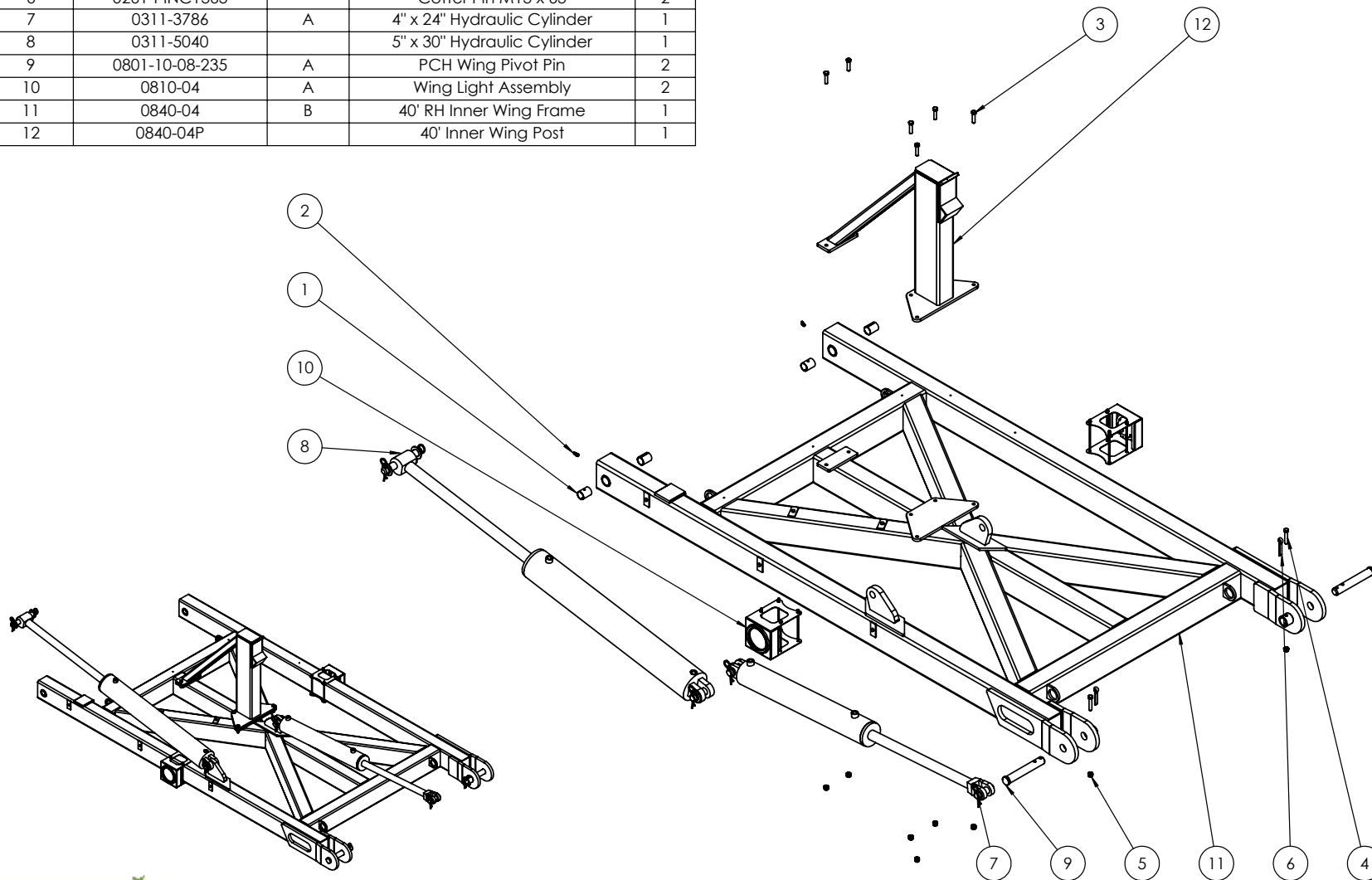


Used On Domestic Machines Only



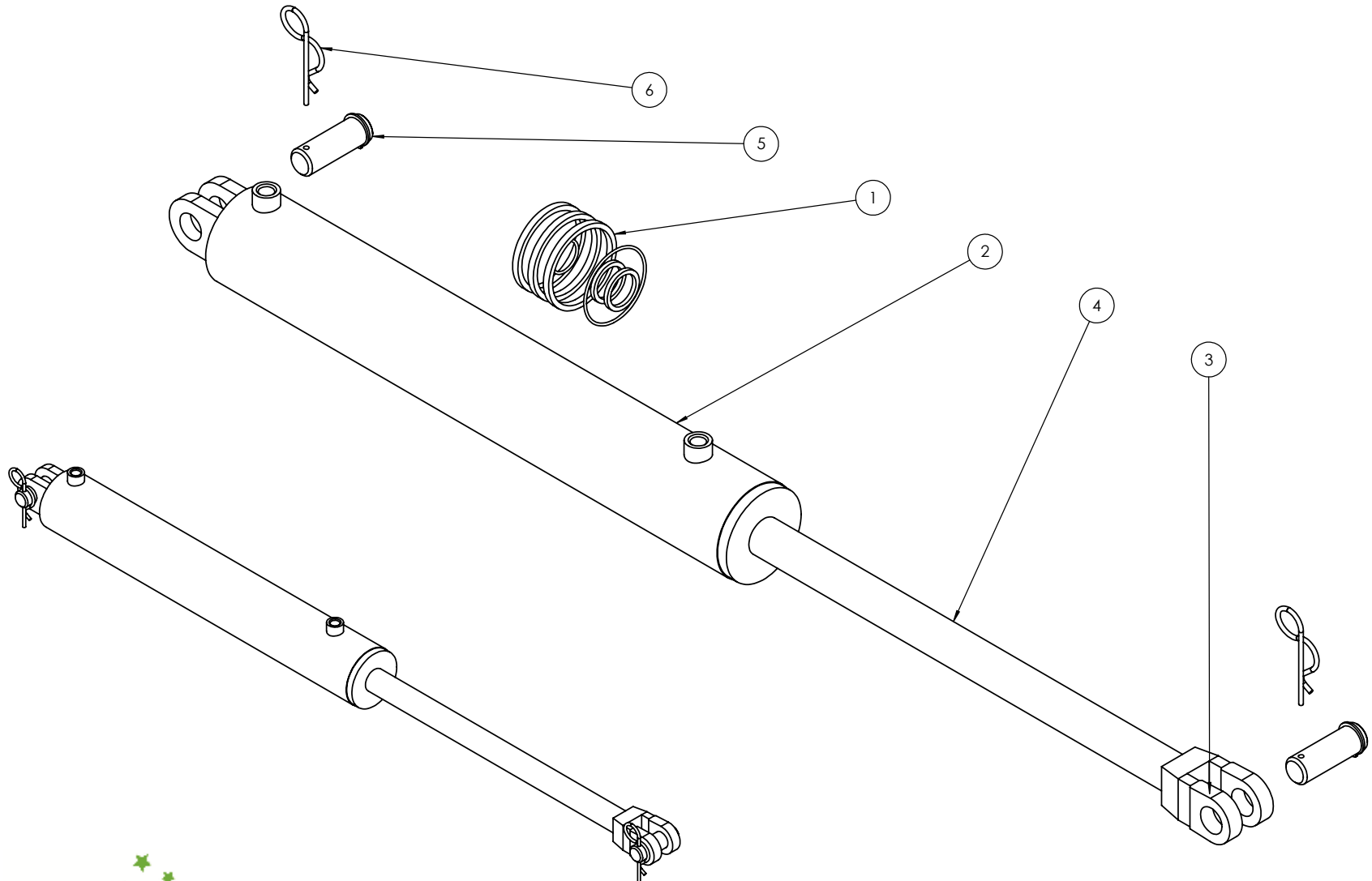
Part Number	Description	For Machines Built:	Revision
<b>0810-111A</b>	RH Oversize Sign Assembly	18/9/2012 -	A

ITEM NO.	PART NUMBER	Revision	DESCRIPTION	QTY.
1	0113-MB 3550DX	A	35 ID x 50mm DX Bush	4
2	0181-GN1-845	A	Grease Nipple 1/8" BSP 45 Deg	2
3	0211-1250	A	M12 x 50 grade 8.8 ZP Bolt	6
4	0211-1265	A	M12 x 65 grade 8.8 ZP Bolt	2
5	0221-NYL12		Nyloc Nut M12	8
6	0261-PINC1363		Cotter Pin M13 x 63	2
7	0311-3786	A	4" x 24" Hydraulic Cylinder	1
8	0311-5040		5" x 30" Hydraulic Cylinder	1
9	0801-10-08-235	A	PCH Wing Pivot Pin	2
10	0810-04	A	Wing Light Assembly	2
11	0840-04	B	40' RH Inner Wing Frame	1
12	0840-04P		40' Inner Wing Post	1



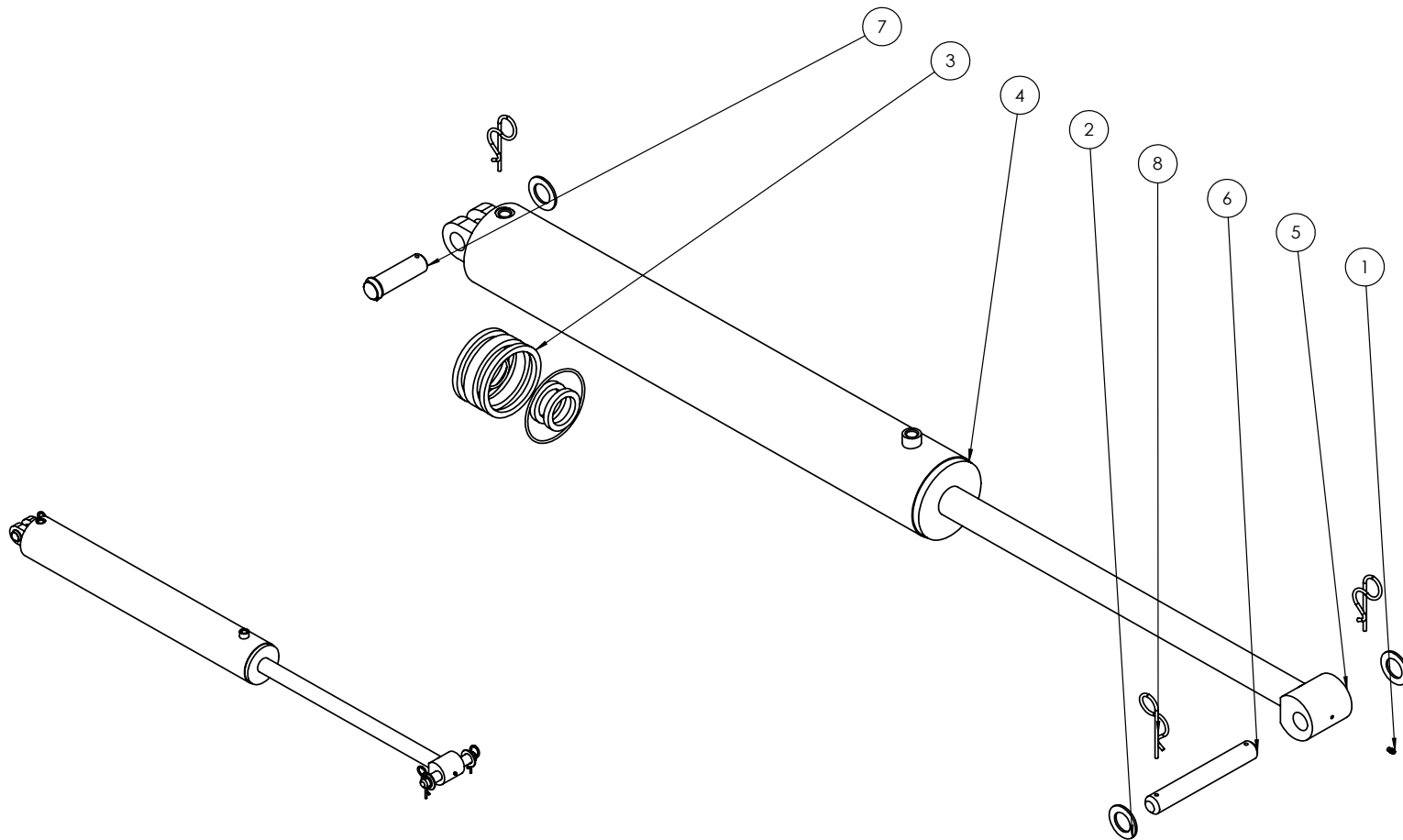
Part Number	Description	For Machines Built:	Revision
<b>0840-04A</b>	<b>40' RH Inner Wing Assembly</b>		<b>B</b>

ITEM NO.	PART NUMBER	Revision	DESCRIPTION	QTY.
1	0312-EF0316		Seal Kit 4"	1
2	0313-3786B		4" x 24" Cylinder Barrel	1
3	0313-3786C		Clevis For 3786 Cylinder	1
4	0313-3786R		4" x 24" Cylinder Rod	1
5	0801-44103786	A	Cylinder Pin 1 1/4" x 94mm	2
6	0801-KE012	A	S Locking Pin Clip 5mm	2



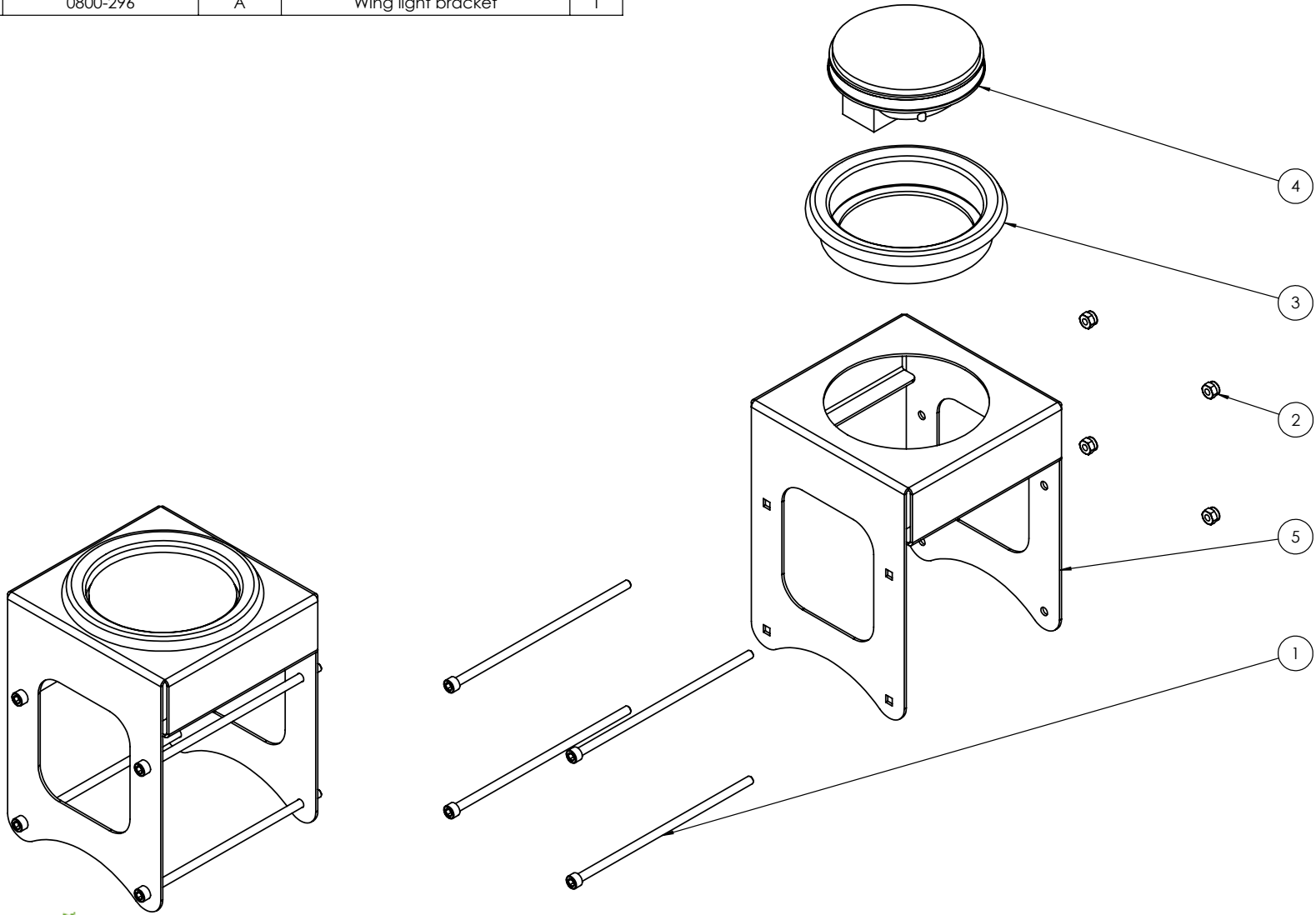
Part Number <b>0311-3786</b>	Description 4" x 24" Hydraulic Cylinder	For Machines Built:	Revision A
---------------------------------	--	---------------------	---------------

ITEM NO.	PART NUMBER	Revision	DESCRIPTION	QTY.
1	0181-GN1-4		Grease Nipple 1/4" UNF	1
2	0232-F11-4		Washer Flat 1 1/4"	3
3	0312-EF2956		Seal Kit 5"	1
4	0313-5040B		5" x 30" Cylinder Barrel	1
5	0313-5040R		5" x 30" Cylinder rod	1
6	0801-44102956-1	B	Cylinder Pin 1 1/4" x 230mm 4140	1
7	0801-44102956-2	A	Cylinder Pin 1 1/4" x 116mm	1
8	0801-KE012	A	S Locking Pin Clip 5mm	3



Part Number <b>0311-5040</b>	Description <b>5" x 30" Hydraulic Cylinder</b>	For Machines Built:	Revision <b>A</b>
---------------------------------	---	---------------------	----------------------

ITEM NO.	PART NUMBER	Revision	DESCRIPTION	QTY.
1	0211-SH6170		Socket Head Bolt M6 x 170 zp	4
2	0221-NYL6		Nyloc Nut M6	4
3	0412-53101RG	A	110RM Rubber Grommet	1
4	0412-LED110AM		LED Rear Indicator Lamp	1
5	0800-296	A	Wing light bracket	1



Part Number  
**0810-04**

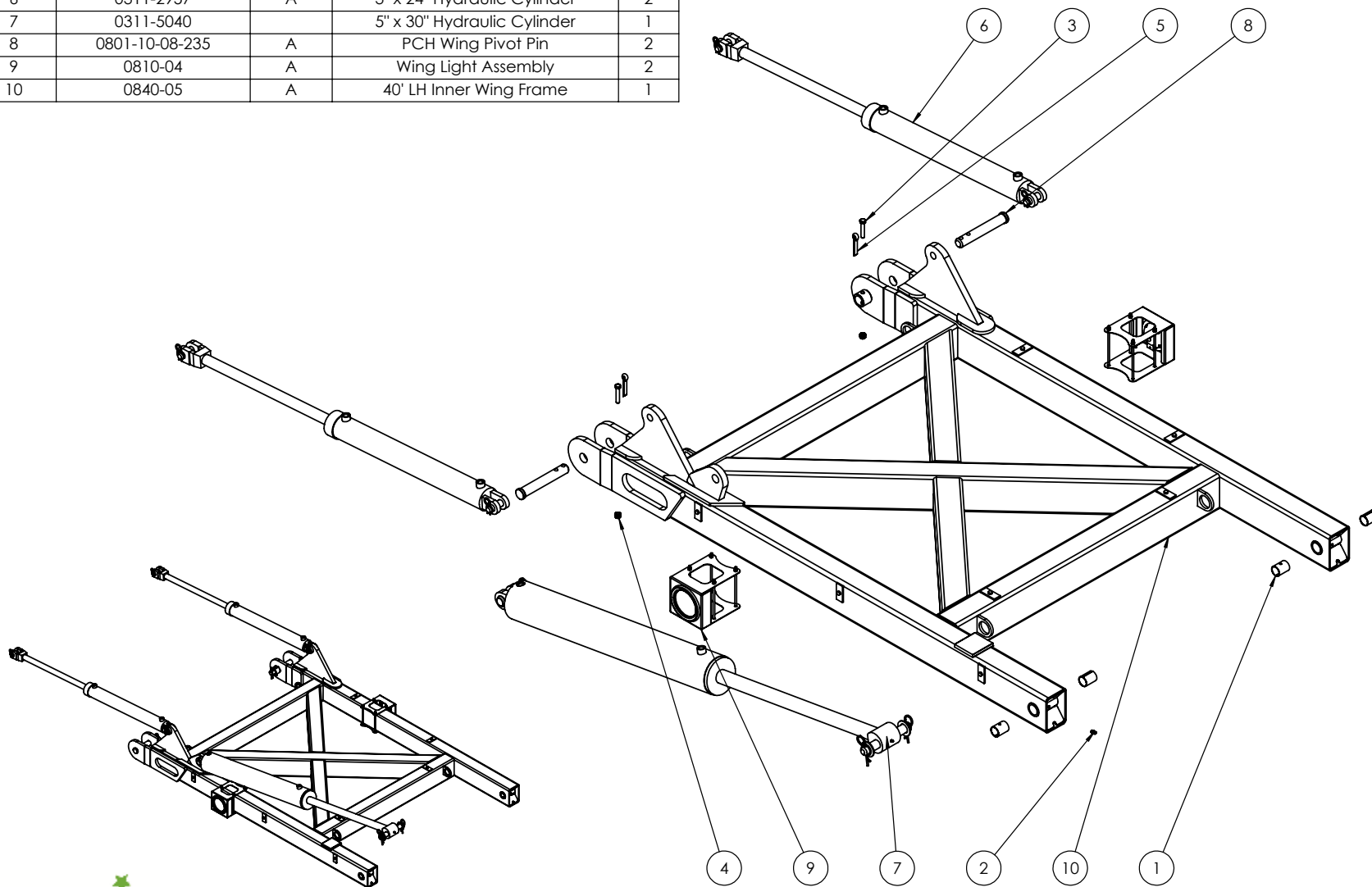
Description  
**Wing Light Assembly**

For Machines Built:

Revision  
**A**



ITEM NO.	PART NUMBER	Revision	DESCRIPTION	QTY.
1	0113-MB 3550DX	A	35 ID x 50mm DX Bush	4
2	0181-GN1-845	A	Grease Nipple 1/8" BSP 45 Deg	2
3	0211-1265	A	M12 x 65 grade 8.8 ZP Bolt	2
4	0221-NYL12		Nyloc Nut M12	2
5	0261-PINC1363		Cotter Pin M13 x 63	2
6	0311-2957	A	3" x 24" Hydraulic Cylinder	2
7	0311-5040		5" x 30" Hydraulic Cylinder	1
8	0801-10-08-235	A	PCH Wing Pivot Pin	2
9	0810-04	A	Wing Light Assembly	2
10	0840-05	A	40' LH Inner Wing Frame	1



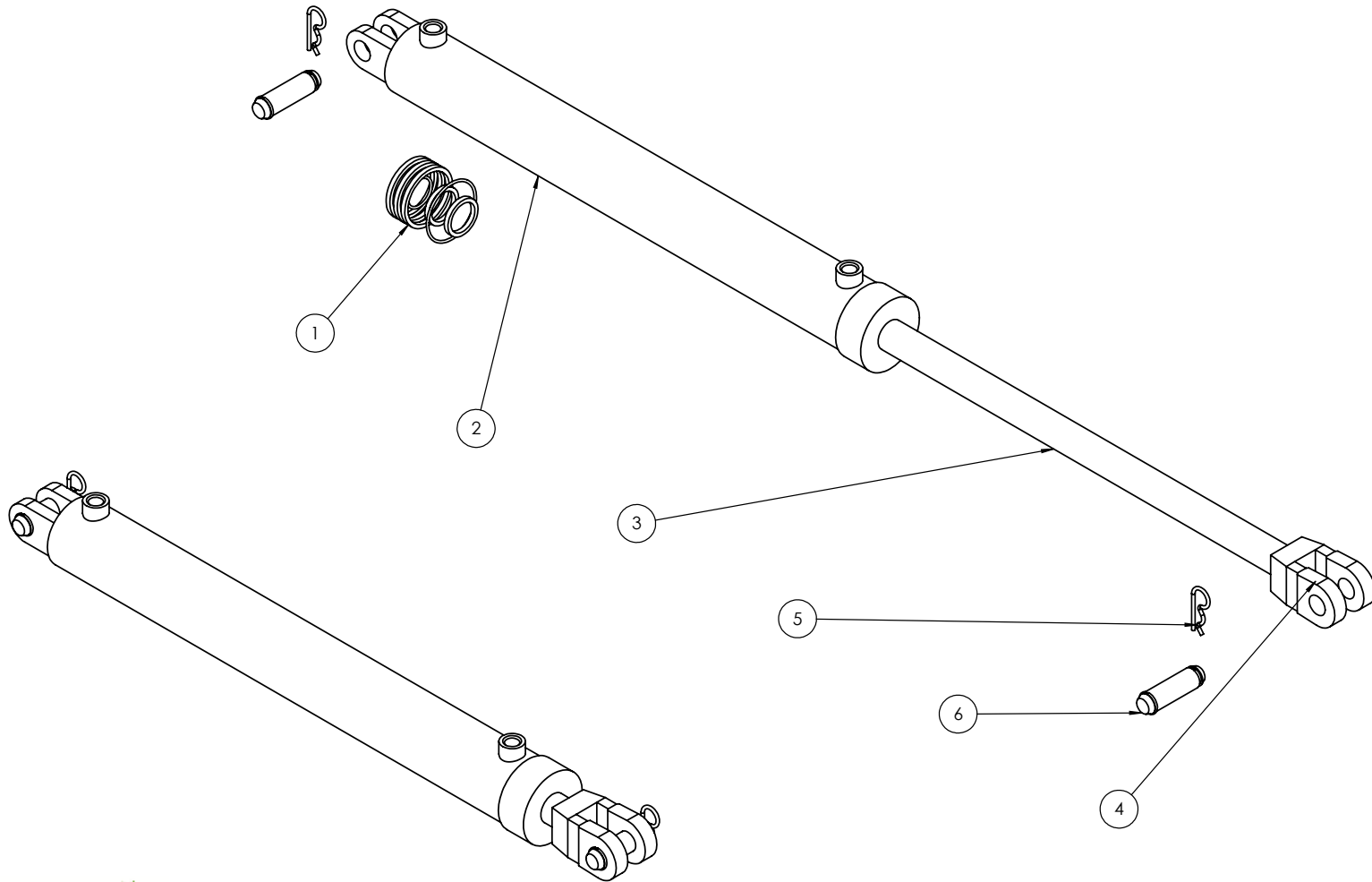
Part Number  
**0840-05A**

Description  
**40' LH Inner Wing Assembly**

For Machines Built:

Revision  
**A**

ITEM NO.	PART NUMBER	Revision	DESCRIPTION	QTY.
1	0312-EF0054		Seal Kit 3"	2
2	0313-2957B		3" x 24" Cylinder Barrel	1
3	0313-2957R		3" x 24" Cylinder Rod	1
4	0313-6002C		Clevis For 2957, 5041, 6002, 2958 Cylinders	1
5	0511-RCLIP4		R Clip 4mm	2
6	0801-44082938	A	Clevis Pin 1" x 75mm	2



Part Number  
**0311-2957**

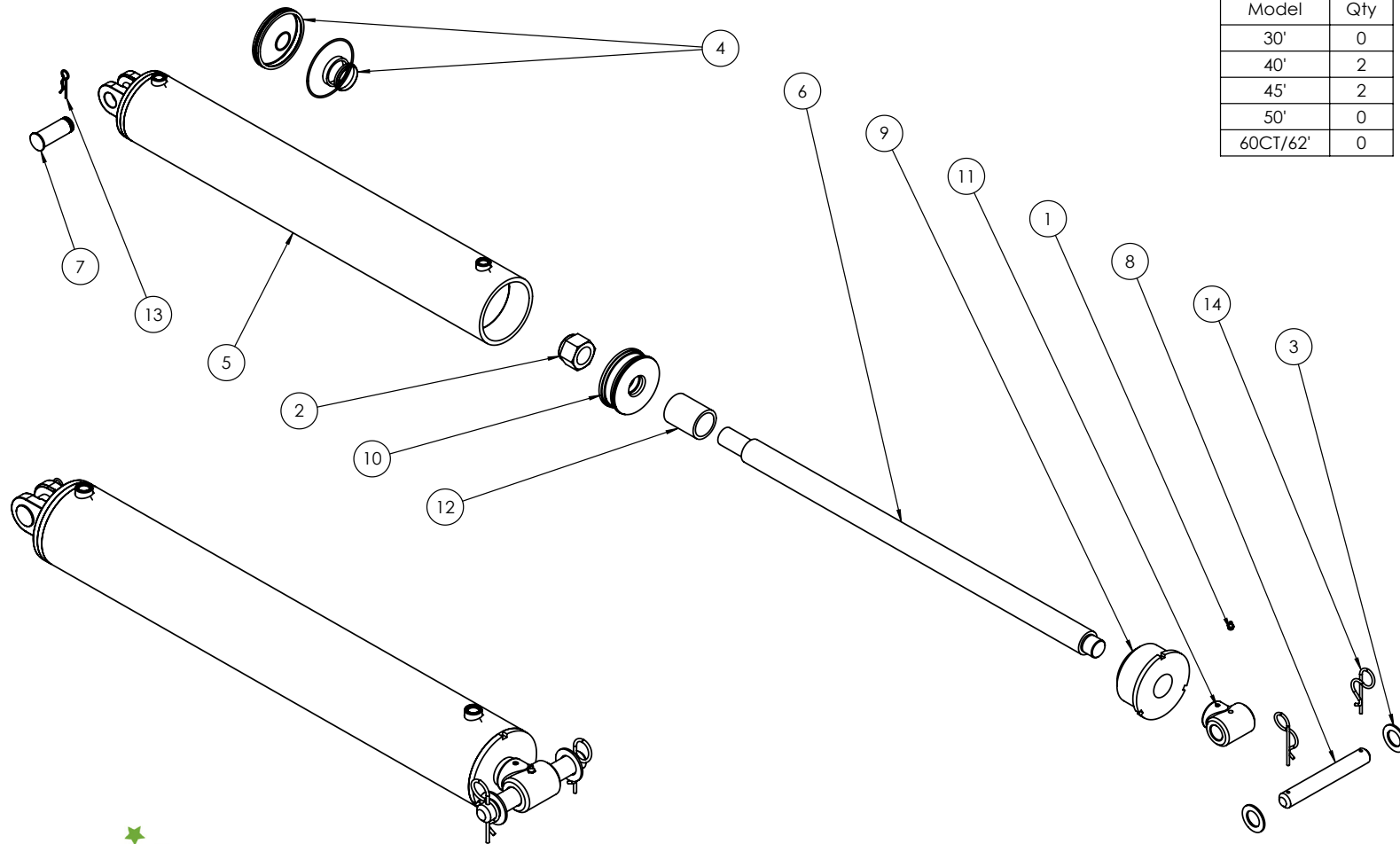
Description  
3" x 24" Hydraulic Cylinder

For Machines Built:

Revision  
A

ITEM NO.	PART NUMBER	Revision	DESCRIPTION	QTY.	ITEM NO.	PART NUMBER	Revision	DESCRIPTION	QTY.
1	0181-GN1-8	A	Grease Nipple 1/8" BSP	1	8	0313-NCP1 1-4X230	A-0	Cylinder Pin 1 1/4" x 230mm 4140	1
2	0223-NYL11-2		Nyloc Nut 1 1/2" UNF	1	9	0313-NG2X5	A-0	Cylinder Gland 2" Rod x 5" Barrel	1
3	0232-F11-4		Washer Flat 1 1/4"	2	10	0313-NP5	A-0	Hydraulic Cylinder Piston 5"	1
4	0312-N5	A-1	Nordon 5" Cylinder Seal Kit	1	11	0313-NRK1 1-4X1 1-2	A-0	Hydraulic Cylinder Rod Knuckle 1 1/4" Pin x 1 1/2" Thread	1
5	0313-530ST-B	A-0	5" Bore 30" Stroke 3 1/8" S/Tube 2" Rod Hydraulic Cylinder	1	12	0313-STUBE2X3 1-8	A-0	Hydraulic Cylinder Stop Tube 2" ID x 3 1/8" (80mm) Long	1
6	0313-530ST-R	A-0	Rod for 5" Bore 30" Stroke 3 1/8" S/Tube Cylinder	1	13	0511-RCLIP3		R Clip 3mm	1
7	0313-NCP1 1-2X75	A-0	Hydraulic Cylinder Pin 1 1/2" x 75mm	1	14	0801-KE012	A	S Locking Pin Clip 5mm	2

**Note: Replaces Cylinder 0311-5040**

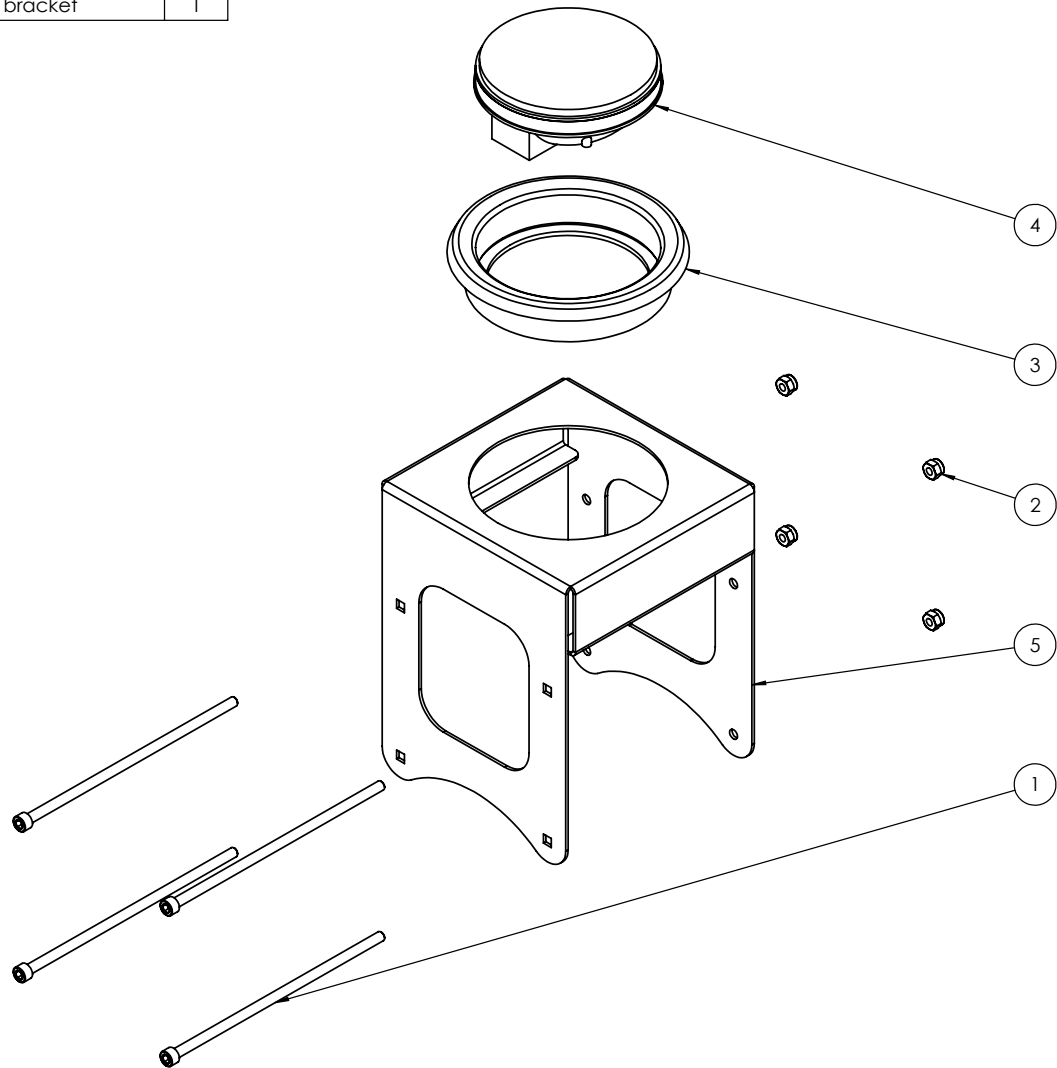
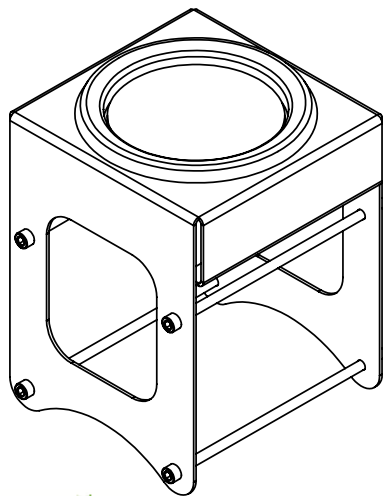


Model	Qty
30'	0
40'	2
45'	2
50'	0
60CT/62'	0



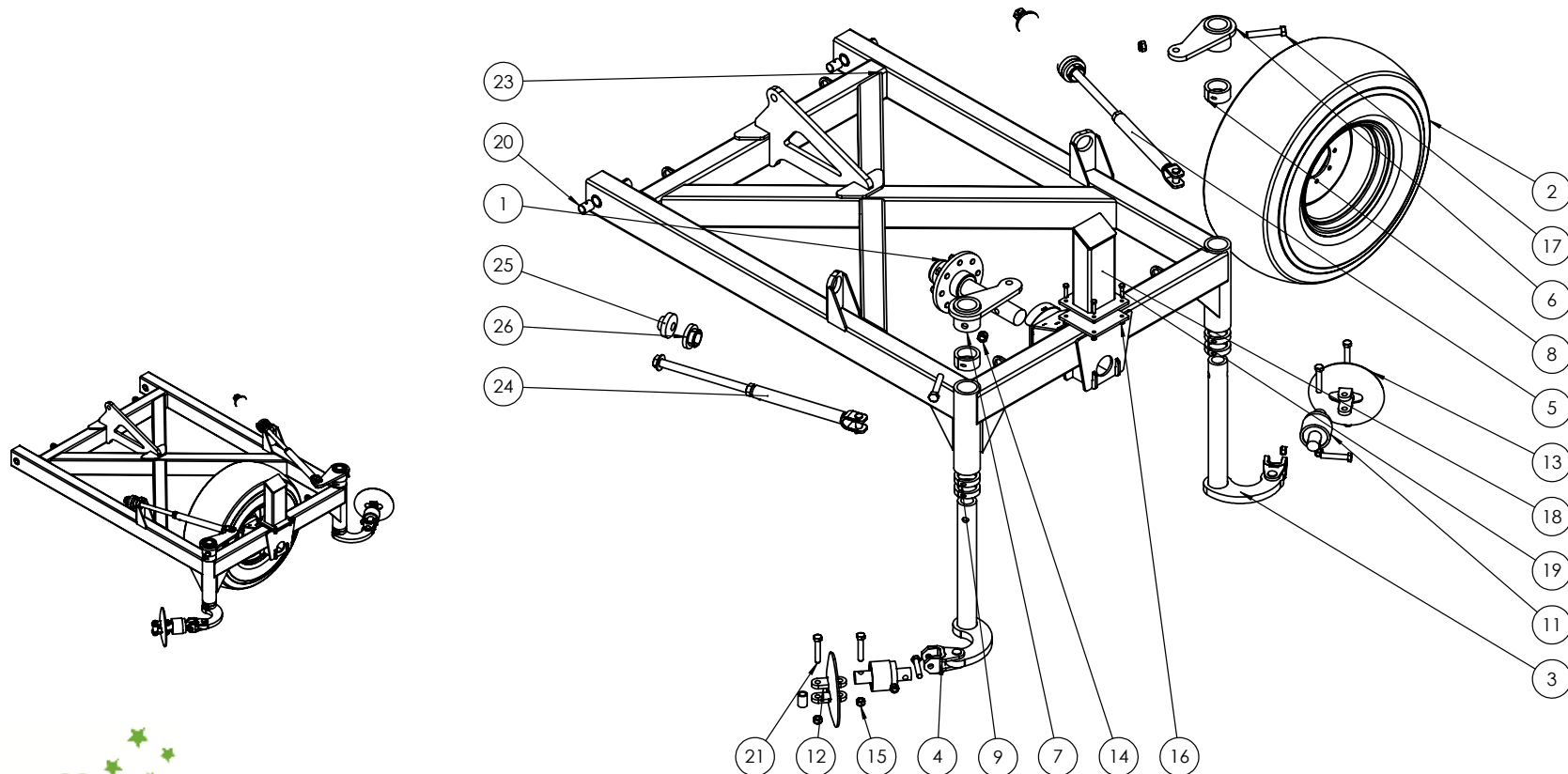
Part Number	Description	For Machines Built:	Revision
<b>0311-530ST</b>	5" Bore 30" Stroke 3 1/8" S/Tube 2" Rod Hydraulic Cylinder		<b>A-1</b>

ITEM NO.	PART NUMBER	Revision	DESCRIPTION	QTY.
1	0211-SH6170		Socket Head Bolt M6 x 170 zp	4
2	0221-NYL6		Nyloc Nut M6	4
3	0412-53101RG	A	110RM Rubber Grommet	1
4	0412-LED110AM		LED Rear Indicator Lamp	1
5	0800-296	A	Wing light bracket	1



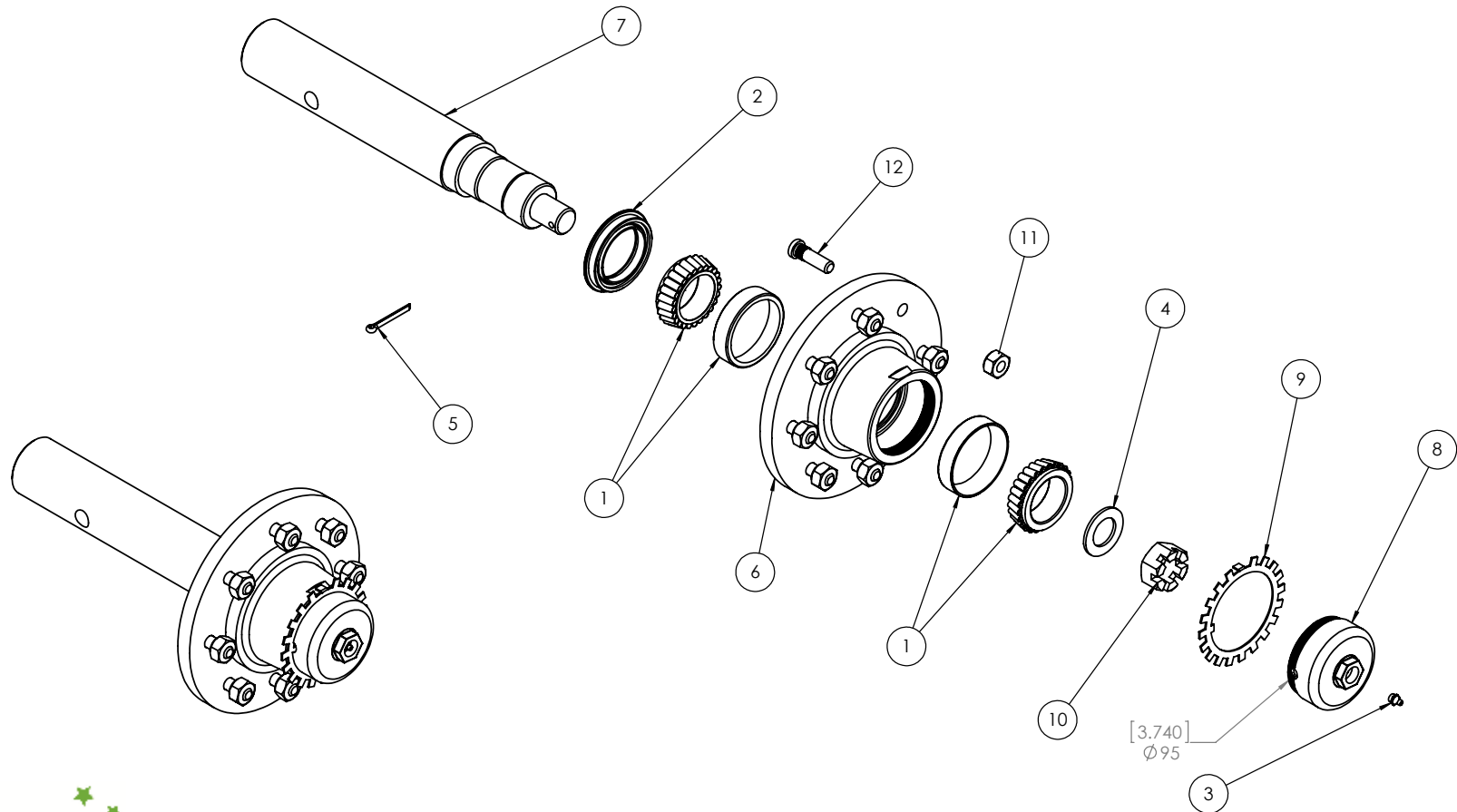
Part Number <b>0810-04</b>	Description Wing Light Assembly	For Machines Built:	Revision A
-------------------------------	------------------------------------	---------------------	---------------

ITEM NO.	PART NUMBER	DESCRIPTION	QTY.	ITEM NO.	PART NUMBER	DESCRIPTION	QTY.
1	0733-SH27596880	2.75"R 6 Tonne 8 on 8" PCH Hub and Stub Complete	1	14	0221-NYL24	Nyloc Nut M24	2
2	0751-15.0-70-18TR	15.0/70-18 Tyre On 8 on 8" PCD Rim	1	15	0221-NYL20	Nyloc Nut M20	7
3	0810-24	LH Dropleg 20mm Clevis	1	16	0221-NYL12	Nyloc Nut M12	4
4	0810-24	LH Drop Leg 20mm Clevis	1	17	0211-24140	M24 x 140 grade 8.8 zp Bolt	2
5	0802-PCHTAA	Chain Tension Assembly	1	18	0840-06P	40' Outer Wing Post	1
6	0810-27	RH Chain Adjusting Lug	1	19	0211-1250	M12 x 50 grade 8.8 ZP Bolt	4
7	0810-26	LH Chain Adjusting Lug	1	20	0113-MB 3550DX	35 ID x 50mm DX Bush	4
8	0801-PS50	50mm Drop Leg Spacer	2	21	0211-20110 ST	M20 x 110 grade 10.9 ZP Short Thread Bolt	6
9	0801-PS25	25mm Drop leg Spacer	4	22	0211-20170	M20 x 170 grade 8.8 ZP Bolt	1
10	0181-GN1-845	Grease Nipple 1/8" BSP 45 Deg	2	23	0840-06	RH Outer Wing Frame	1
11	0802-PCHB55	20mm Bolt Swivel Unit	2	24	0802-PCHTA-S	Short Chain Tension Adjustor	1
12	0802-DCTP-20	Disc Chain Tie Plate Link 20mm	2	25	0801-KE0805-3	Tensioner Cup - Male	1
13	0801-PCDCS55	Tie Plate Bush	2	26	0801-KE0805-4	Female Spring Locator	1



Part Number <b>0840-06A</b>	Description <b>40' RH Outer Wing Assembly</b>	For Machines Built:	Revision <b>D-0</b>
--------------------------------	--	---------------------	------------------------

ITEM NO.	PART NUMBER	Revision	DESCRIPTION	QTY.
1	0111-33011		Bearing 33011 (Cup & Cone)	2
2	0121-AP7M2 906510	A	AP7 Seal 90 x 65 x 10mm	1
3	0181-GN1-8	A	Grease Nipple 1/8" BSP	1
4	0232-F11-4		Washer Flat 1 1/4"	1
5	0261-PINC650		Cotter Pin M6 x 50mm	1
6	0731-H96880	A	6T 8 on 8" PCD (Hub only)	1
7	0732-275R6TKE	A	6T 2.75"R x 460mm Stub	1
8	0741-D-CAP6T	A	95mm Cast Iron Screw in Cap	1
9	0741-LW6T	A	Lock Washer 6T Hub	1
10	0741-NCAST114	A	Castle Nut 1 1/4" x 12	1
11	0741-NW9-16	A	Wheel Nut 9/16" 90 Deg	8
12	0741-WS9-16	A	Wheel Stud 9/16" UNF	8



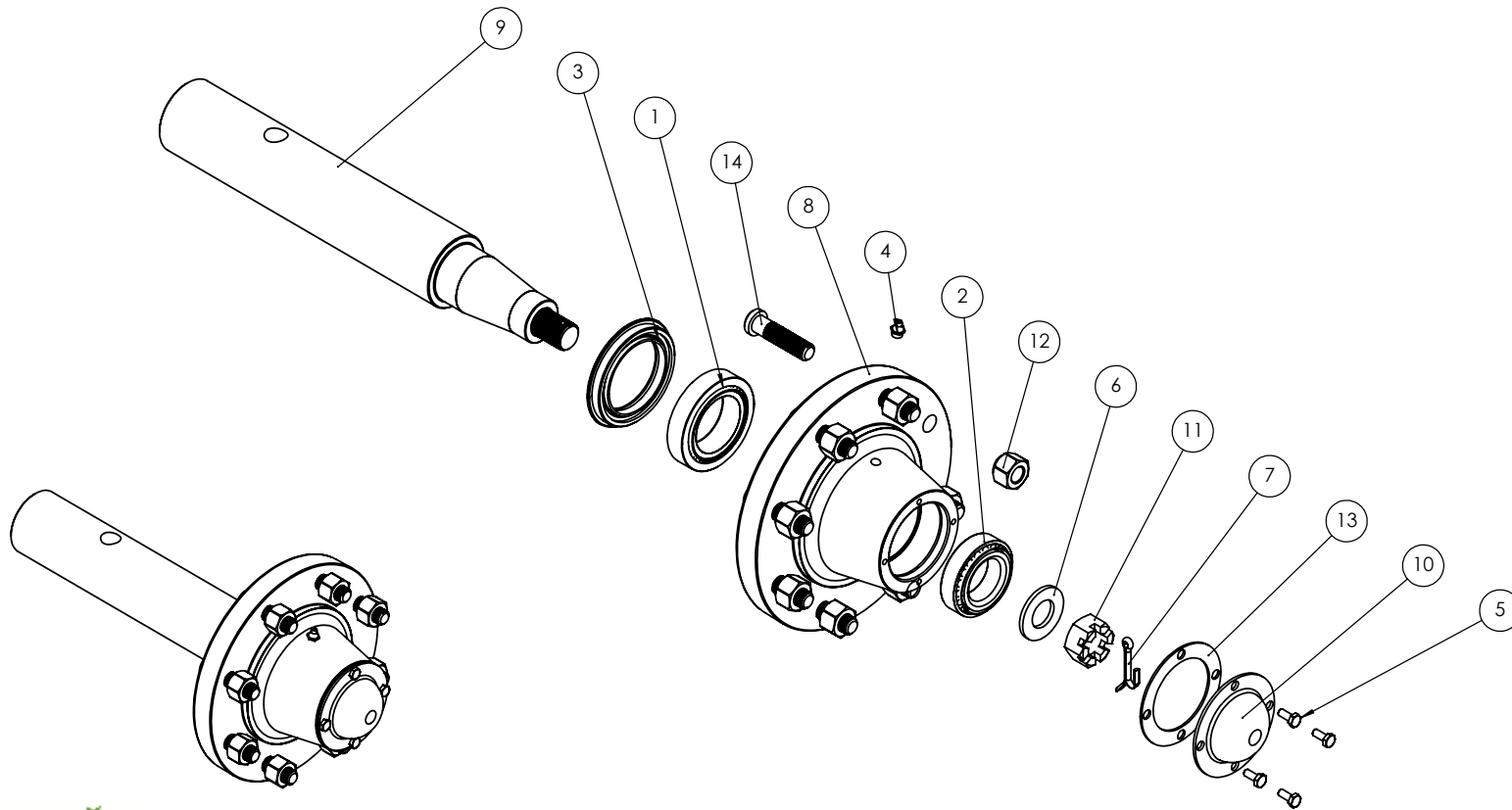
Part Number  
**0733-SH27596880**

Description  
2.75"R 6 Tonne 8 on 8" PCD Hub & Stub Complete

For Machines Built:  
65'(112043-65)-

Revision  
**A**

ITEM NO.	PART NUMBER	DESCRIPTION	QTY.
1	0111-JLM506849-10	Bearing JLM506849/10 Cone/Cup	1
2	0111-LM501349-10	Bearing LM501349/10 Cone/Cup	1
3	0121-P602141	Seal 2.75 x 3.76 x .44	1
4	0181-GN1-8	Grease Nipple 1/8" BSP	1
5	0212-1-45-8	1/4" X 5/8" UNC Gr.8 ZP BOLT	4
6	0232-F1	Washer Flat 1"	1
7	0261-PINC550	Cotter Pin M5 x 50	1
8	0731-H6080067	GKN 6T 8 on 8" Hub only	1
9	0732-LS96 30M-24	GKN 6T 2-3/4" x18.736" Stub/Spindle	1
10	0741-D-CAPGKN6T	4 X 3.375" PCD Bolt-on Dust Cap	1
11	0741-NCAS11	Castle Nut 1" x 14	1
12	0741-NW5-8-18	Wheel Nut 5/8-18 UNF 90 deg	8
13	0741-PCDHCG	PCD Hub Cap Gasket 4 x 3.375"	1
14	0741-W55-8-18	Wheel Stud 5/8-18 UNF x 2-1/2	8



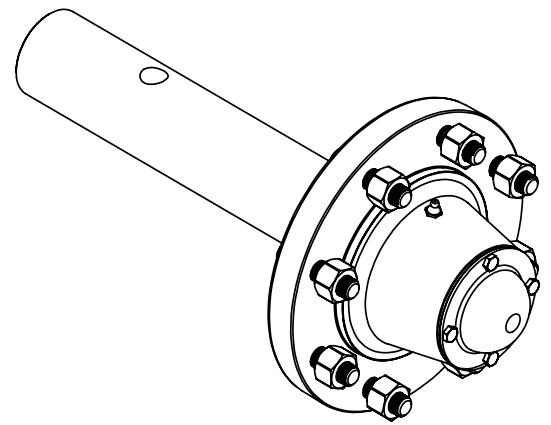
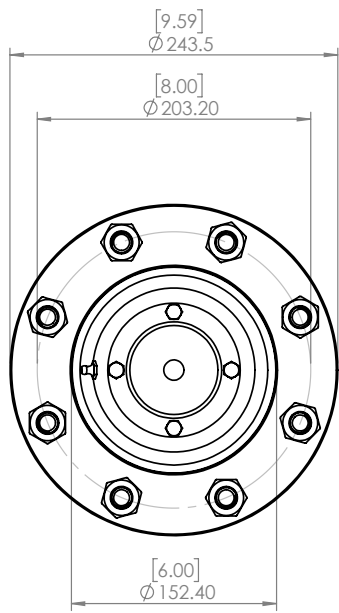
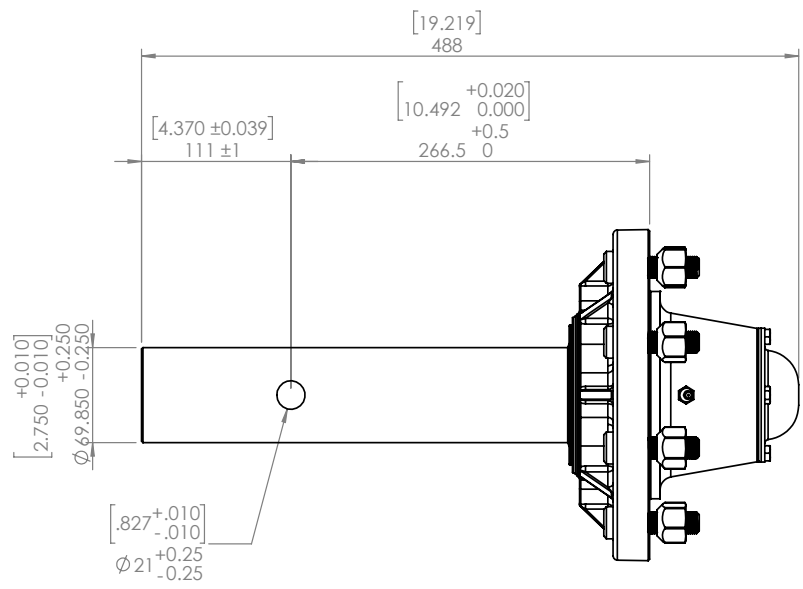
Part Number  
**0733-LG6080067**

Description  
2.75"R C/W 6 tonne 8 on 8" PCD  
Complete Assembly inc GS

For Machines Built:

Revision  
A-0

USA only



DO NOT SCALE DRAWING

REVISION A-0

**Tolerance (UNO)**  
 XX ± 0.1mm  
 X ± 0.2mm  
 .X ± 0.5mm  
 .XX ± 1.0mm  
 .XXX ± 2.0mm  
 XXXX ± 3.0mm  
 X\* ± 0.1"  
 X\* ± 0.5"

TITLE:  
 2.75"R C/W 6 tonne 8 on 8" PCD  
 Complete Assembly inc GS

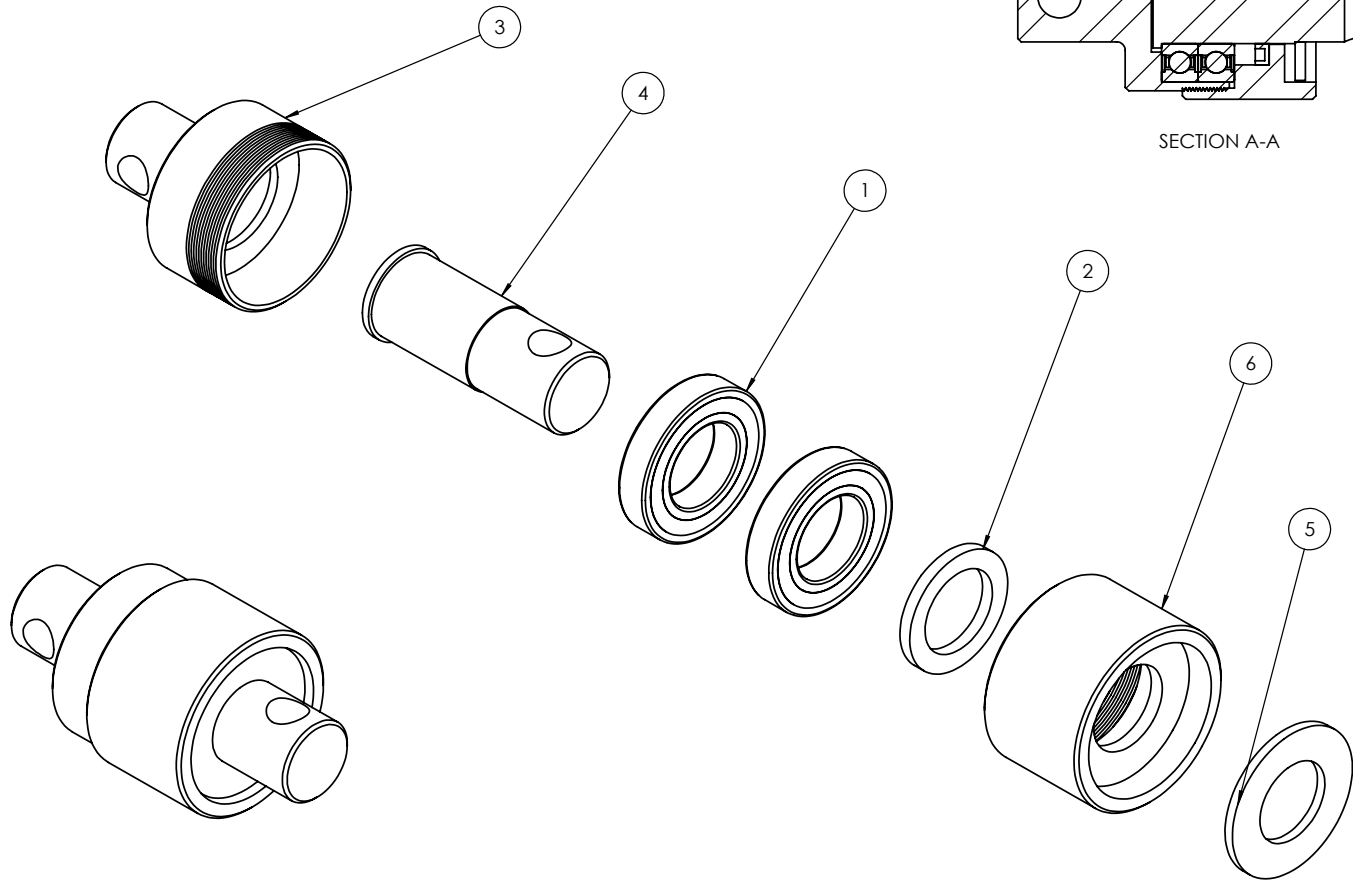
Rev	Date	Revision Description
A-0	22-Nov-18	New Part
1		2

For Machines Built:				
	NAME	SIGNATURE	DATE	MATERIAL:
DRAWN	B Hooper	Approval via EPDM	22/11/2018	
CHK'D	L Healy		22/11/2018	
APPVD	R Dunlop		22/11/2018	WEIGHT: 28.862Kg

DWG NO.	0733-LG6080067	A
SCALE: 1:20	SHEET 2 OF 2	



ITEM NO.	PART NUMBER	Revision	DESCRIPTION	QTY.
1	0112-6211		Bearing 6211 2RS	2
2	0121-TC5588		TC Seal 55mm x 80mm x 8mm	1
3	0801-PCHB55H		Housing to Suit PCHB55 Swivel	1
4	0801-PCHB55S		Shaft To Suit PCHB55 Swivel	1
5	0801-PCHB55WA		Washer To Suit PCHB55 Swivel	1
6	0801-PCHB55C		Cap To Suit PCHB55 Swivel	1



Part Number  
**0802-PCHB55**

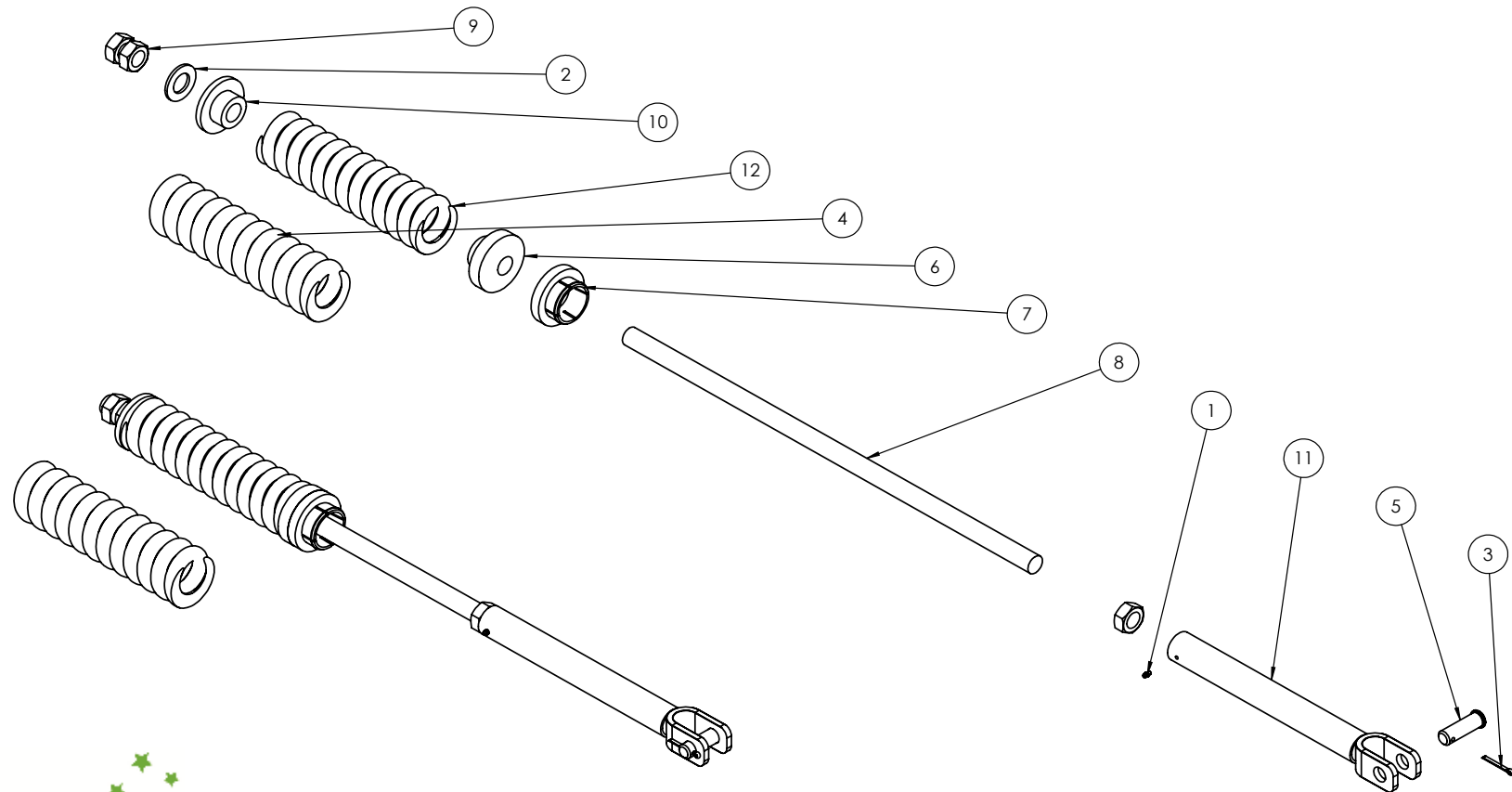
Description  
**20mm Bolt Swivel Unit**

For Machines Built:  
2002-

Revision

ITEM NO.	PART NUMBER	Notes	Revision	DESCRIPTION	QTY.
1	0181-GN1-4			Grease Nipple 1/4" UNF	1
2	0232-HT11-4			Washer High Tensile 1 1/4"	1
3	0261-PINC550		A	Cotter Pin M5 x 50	1
4	0801-K2455350	1	A	Heavy Duty Coil Spring 24mm	1
5	0801-KE0307-1		A	Clevis Pin 25mm x 75mm	1
6	0801-KE0805-3		B	Tensioner Cup - Male	1
7	0801-KE0805-4		D	Female Spring Locator	1
8	0801-PCHTA-B6		B	Chain Tension Rod 1.25" 5tpi	1
9	0801-PCHTA-N6		B	ACME Lock Nut 1 1/4 - 5NA - 2G	3
10	0801-PCHTA-SB		B	Steel Spring Retaining Bush	1
11	0801-PCHTABC		B	Tension Assembly Body with Clevis	1
12	0801-XK9261S	2	A	20mm Compression Spring	1
13	0802-PCHTA			Chain Tension Linkage Set (Items 1,2,3,5,8,9,10,11)	

Notes:  
1 Used on rear chain tension 50-60' machines only  
2 Used in all other areas



Part Number  
**0802-PCHTAA**

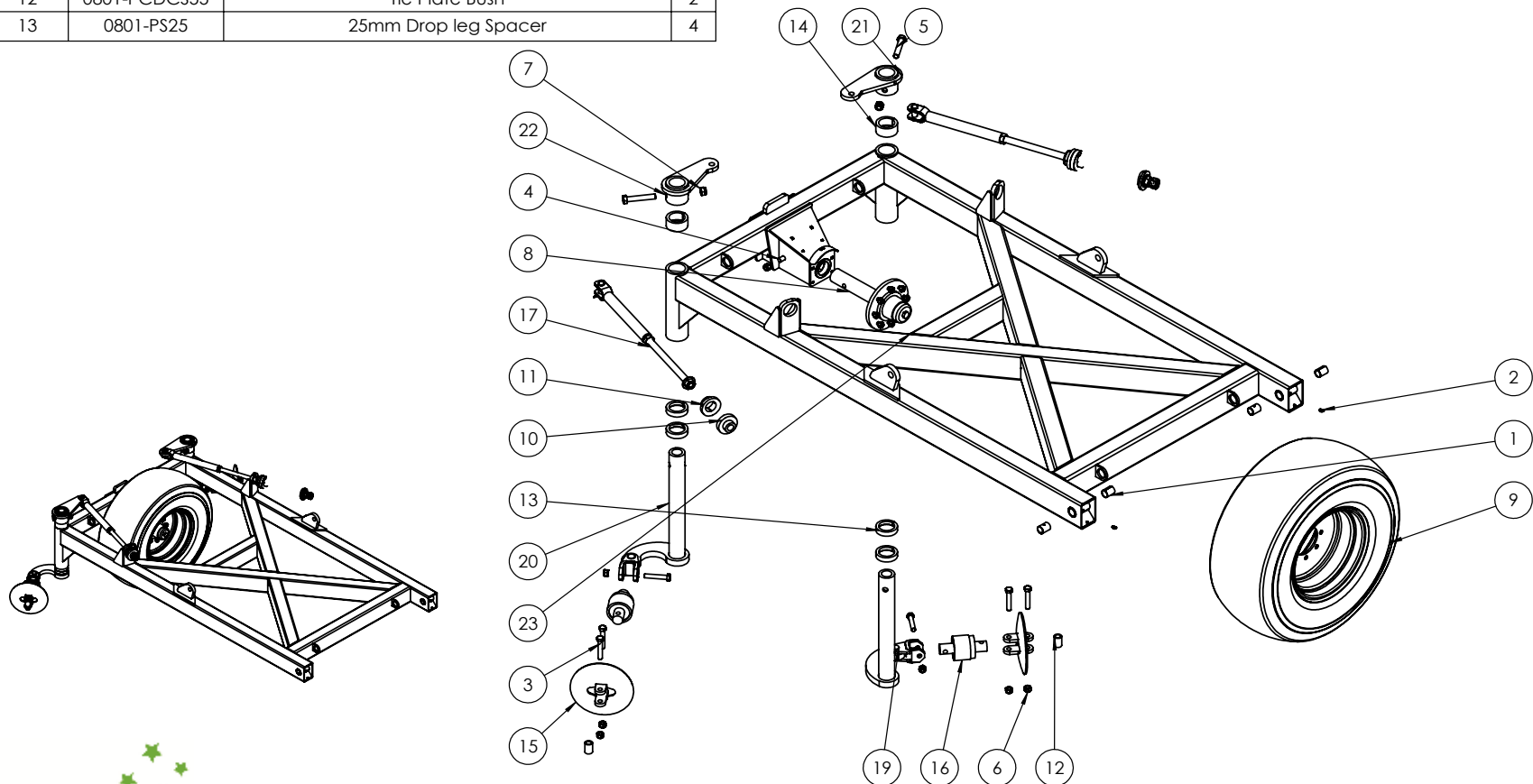
Description  
**Chain Tension Assembly**

For Machines Built:  
All(2006)-

Revision  
**A**

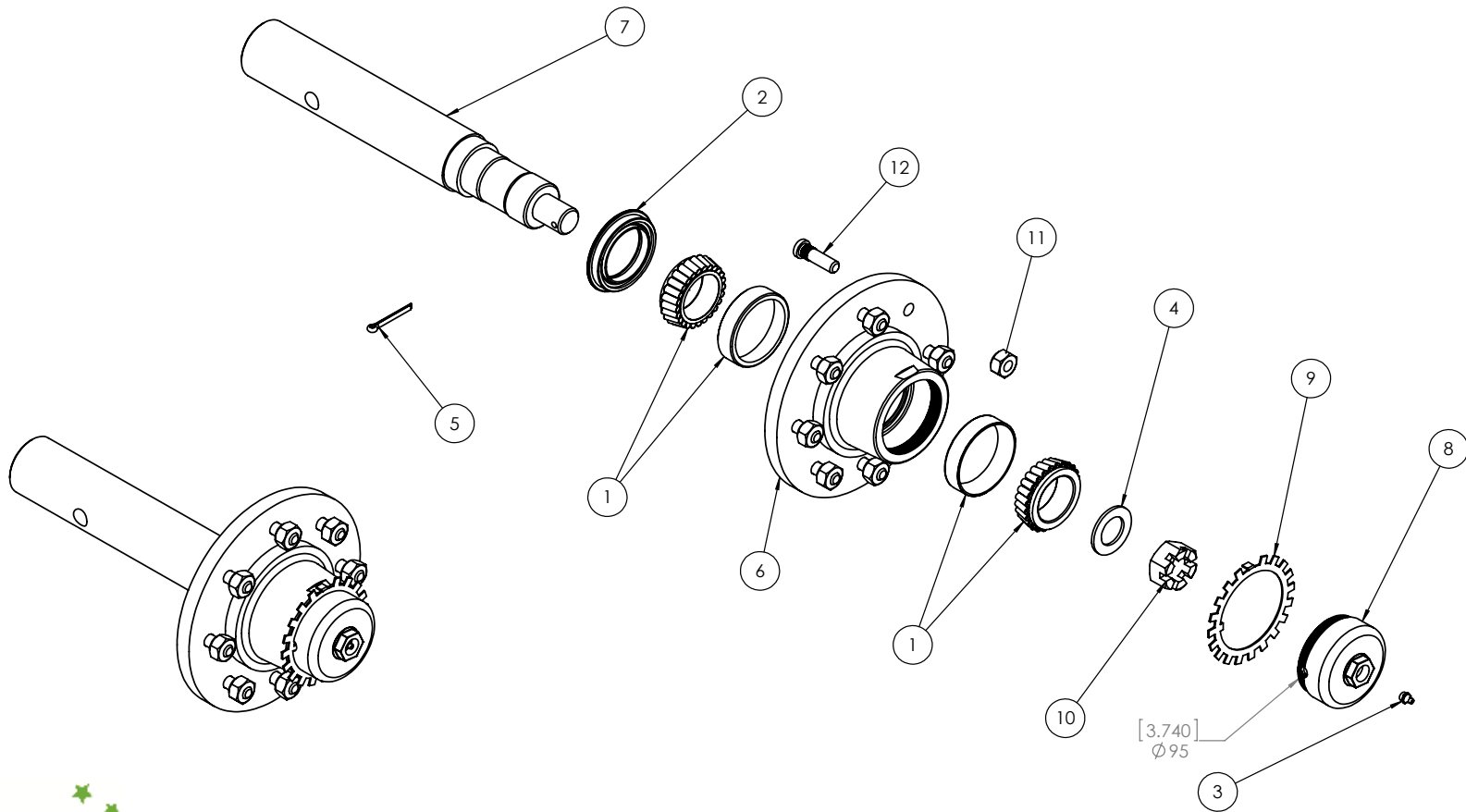
ITEM NO.	PART NUMBER	DESCRIPTION	QTY.
1	0113-MB 3550DX	35 ID x 50mm DX Bush	4
2	0181-GN1-845	Grease Nipple 1/8" BSP 45 Deg	2
3	0211-20110 ST	M20 x 110 grade 10.9 ZP Short Thread Bolt	6
4	0211-20170	M20 x 170 grade 8.8 ZP Bolt	1
5	0211-24140	M24 x 140 grade 8.8 zp Bolt	2
6	0221-NYL20	Nyloc Nut M20	7
7	0221-NYL24	Nyloc Nut M24	2
8	0733-SH27596880	2.75"R 6 Tonne 8 on 8" PCH Hub and Stub Complete	1
9	0751-15.0-70-18TR	15.0/70-18 Tyre On Rim	1
10	0801-KE0805-3	Tensioner Cup - Male	1
11	0801-KE0805-4	Female Spring Locator	1
12	0801-PCDCS55	Tie Plate Bush	2
13	0801-PS25	25mm Drop leg Spacer	4

ITEM NO.	PART NUMBER	DESCRIPTION	QTY.
14	0801-PS50	50mm Drop Leg Spacer	2
15	0802-DCTP-20	Disc Chain Tie Plate Link 20mm	2
16	0802-PCHB55	20mm Bolt Swivel Unit	2
17	0802-PCHTA-S	Short Chain Tension Adjustor	1
18	0802-PCHTAA	Chain Tension Assembly	1
19	0810-24	LH Drop Leg 20mm Clevis	1
20	0810-24	LH Dropleg 20mm Clevis	1
21	0810-26	LH Chain Adjusting Lug	1
22	0810-27	RH Chain Adjusting Lug	1
23	0840-07	40' LH Outer Wing Frame	1



Part Number <b>0840-07A</b>	Description <b>40' LH Outer Wing Assembly</b>	For Machines Built:	Revision <b>D-0</b>
--------------------------------	--	---------------------	------------------------

ITEM NO.	PART NUMBER	Revision	DESCRIPTION	QTY.
1	0111-33011		Bearing 33011 (Cup & Cone)	2
2	0121-AP7M2 906510	A	AP7 Seal 90 x 65 x 10mm	1
3	0181-GN1-8	A	Grease Nipple 1/8" BSP	1
4	0232-F11-4		Washer Flat 1 1/4"	1
5	0261-PINC650		Cotter Pin M6 x 50mm	1
6	0731-H96880	A	6T 8 on 8" PCD (Hub only)	1
7	0732-275R6TKE	A	6T 2.75"R x 460mm Stub	1
8	0741-D-CAP6T	A	95mm Cast Iron Screw in Cap	1
9	0741-LW6T	A	Lock Washer 6T Hub	1
10	0741-NCAST114	A	Castle Nut 1 1/4" x 12	1
11	0741-NW9-16	A	Wheel Nut 9/16" 90 Deg	8
12	0741-WS9-16	A	Wheel Stud 9/16" UNF	8



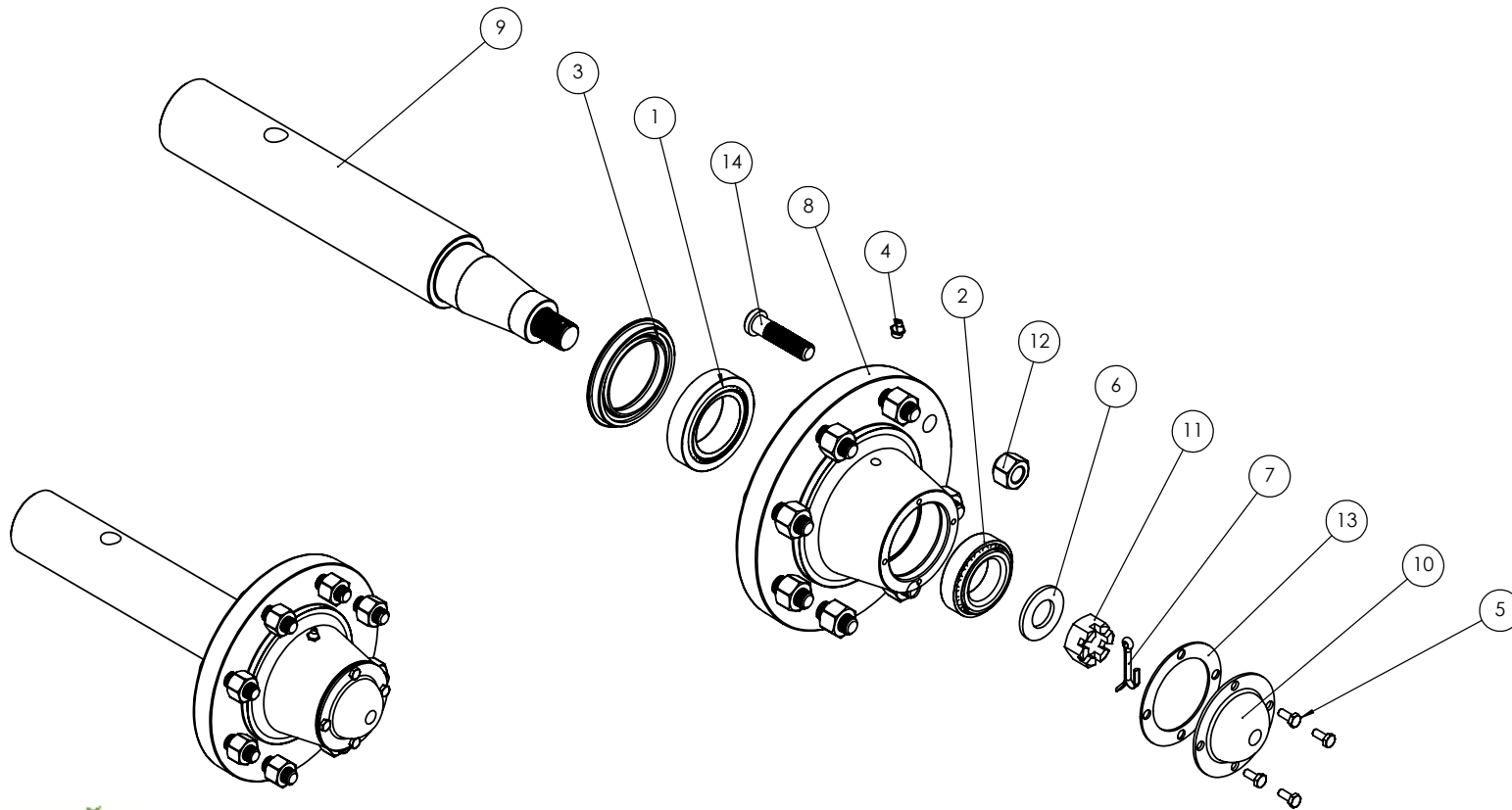
Part Number  
**0733-SH27596880**

Description  
2.75"R 6 Tonne 8 on 8" PCD Hub & Stub Complete

For Machines Built:  
65'(112043-65)-

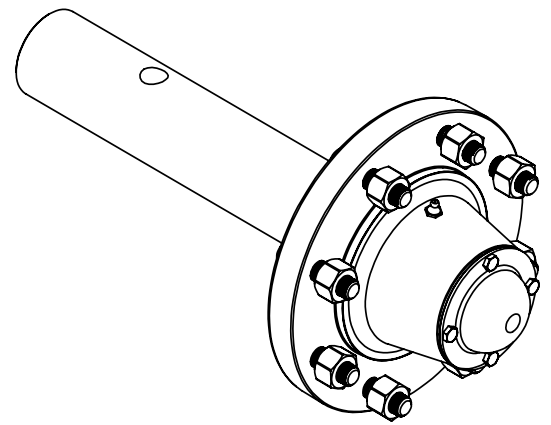
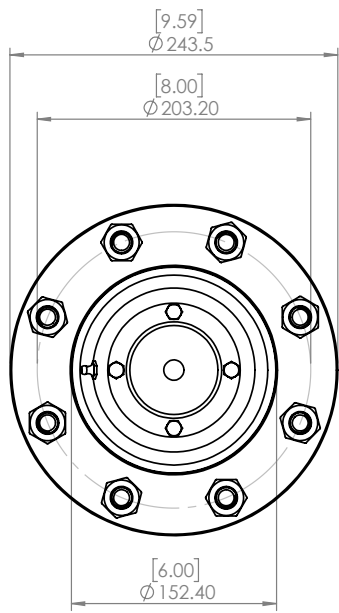
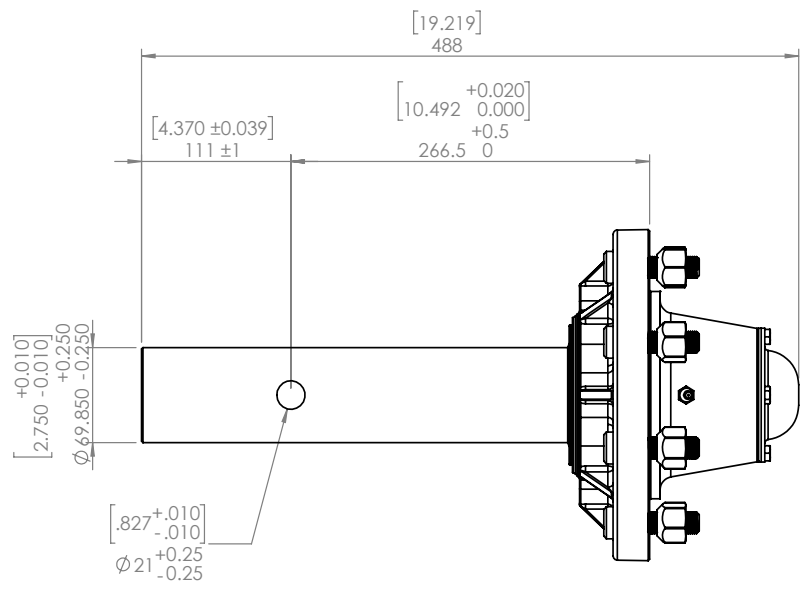
Revision  
**A**

ITEM NO.	PART NUMBER	DESCRIPTION	QTY.
1	0111-JLM506849-10	Bearing JLM506849/10 Cone/Cup	1
2	0111-LM501349-10	Bearing LM501349/10 Cone/Cup	1
3	0121-P602141	Seal 2.75 x 3.76 x .44	1
4	0181-GN1-8	Grease Nipple 1/8" BSP	1
5	0212-1-45-8	1/4" X 5/8" UNC Gr.8 ZP BOLT	4
6	0232-F1	Washer Flat 1"	1
7	0261-PINC550	Cotter Pin M5 x 50	1
8	0731-H6080067	GKN 6T 8 on 8" Hub only	1
9	0732-LS96 30M-24	GKN 6T 2-3/4" x18.736" Stub/Spindle	1
10	0741-D-CAPGKN6T	4 X 3.375" PCD Bolt-on Dust Cap	1
11	0741-NCAS11	Castle Nut 1" x 14	1
12	0741-NW5-8-18	Wheel Nut 5/8-18 UNF 90 deg	8
13	0741-PCDHCG	PCD Hub Cap Gasket 4 x 3.375"	1
14	0741-W55-8-18	Wheel Stud 5/8-18 UNF x 2-1/2	8



Part Number <b>0733-LG6080067</b>	Description 2.75"R C/W 6 tonne 8 on 8" PCD Complete Assembly inc GS	For Machines Built:	Revision A-0
--------------------------------------	---	---------------------	-----------------

USA only



DO NOT SCALE DRAWING REVISION A-0

**Tolerance (UNO)**  
 XX ± 0.1mm  
 X ± 0.2mm  
 .X ± 0.5mm  
 .XX ± 1.0mm  
 .XXX ± 2.0mm  
 XXXX ± 3.0mm  
 X\* ± 0.1"  
 X\* ± 0.5"

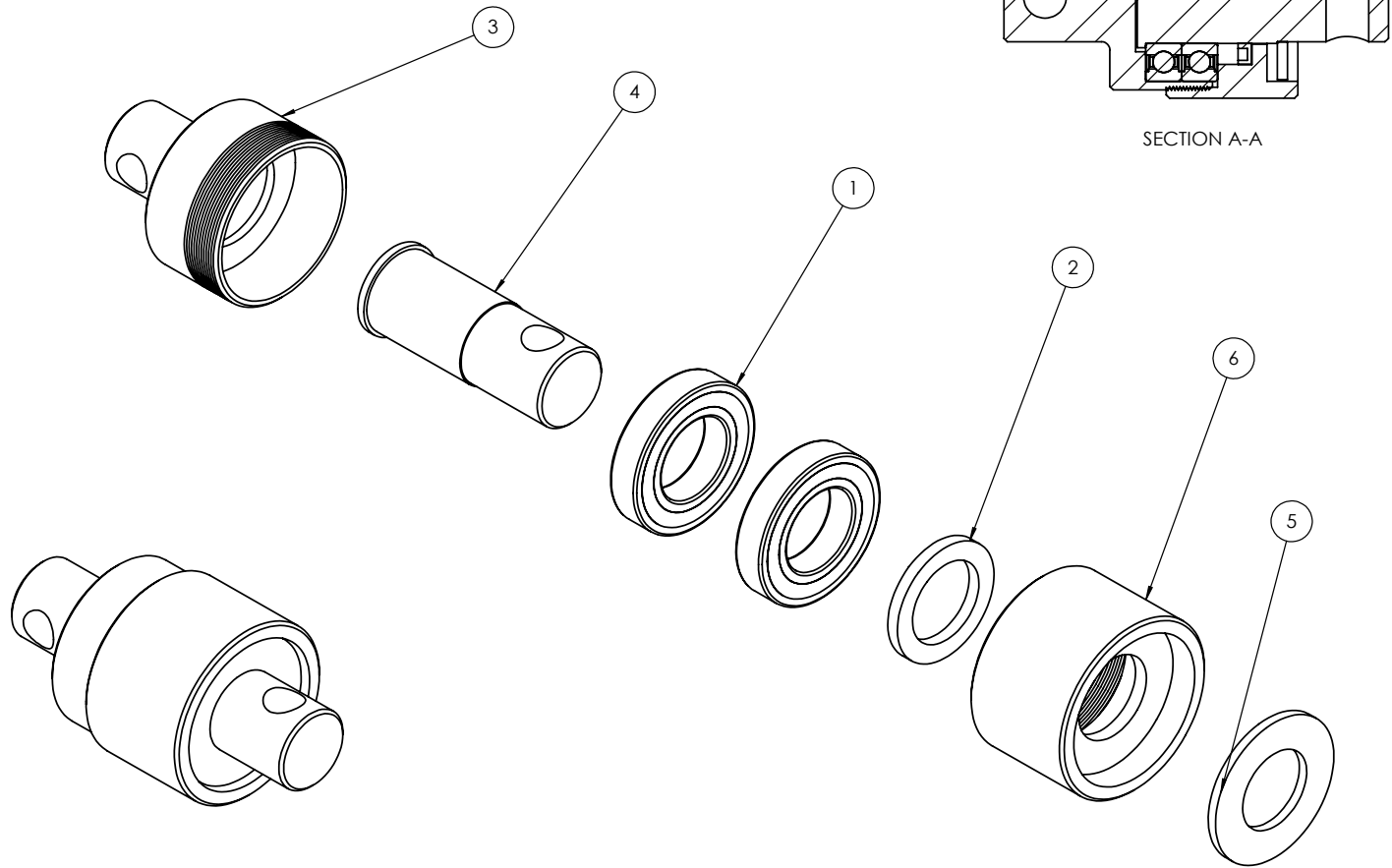
TITLE:  
 2.75"R C/W 6 tonne 8 on 8" PCD  
 Complete Assembly inc GS

Rev	Date	Revision Description
A-0	22-Nov-18	New Part
1		2

For Machines Built:				
	NAME	SIGNATURE	DATE	MATERIAL:
DRAWN	B Hooper	Approval via EPDM	22/11/2018	
CHK'D	L Healy		22/11/2018	
APPVD	R Dunlop		22/11/2018	WEIGHT: 28.862Kg

DWG NO.	0733-LG6080067	A
SCALE: 1:20	SHEET 2 OF 2	

ITEM NO.	PART NUMBER	Revision	DESCRIPTION	QTY.
1	0112-6211		Bearing 6211 2RS	2
2	0121-TC5588		TC Seal 55mm x 80mm x 8mm	1
3	0801-PCHB55H		Housing to Suit PCHB55 Swivel	1
4	0801-PCHB55S		Shaft To Suit PCHB55 Swivel	1
5	0801-PCHB55WA		Washer To Suit PCHB55 Swivel	1
6	0801-PCHB55C		Cap To Suit PCHB55 Swivel	1



Part Number  
**0802-PCHB55**

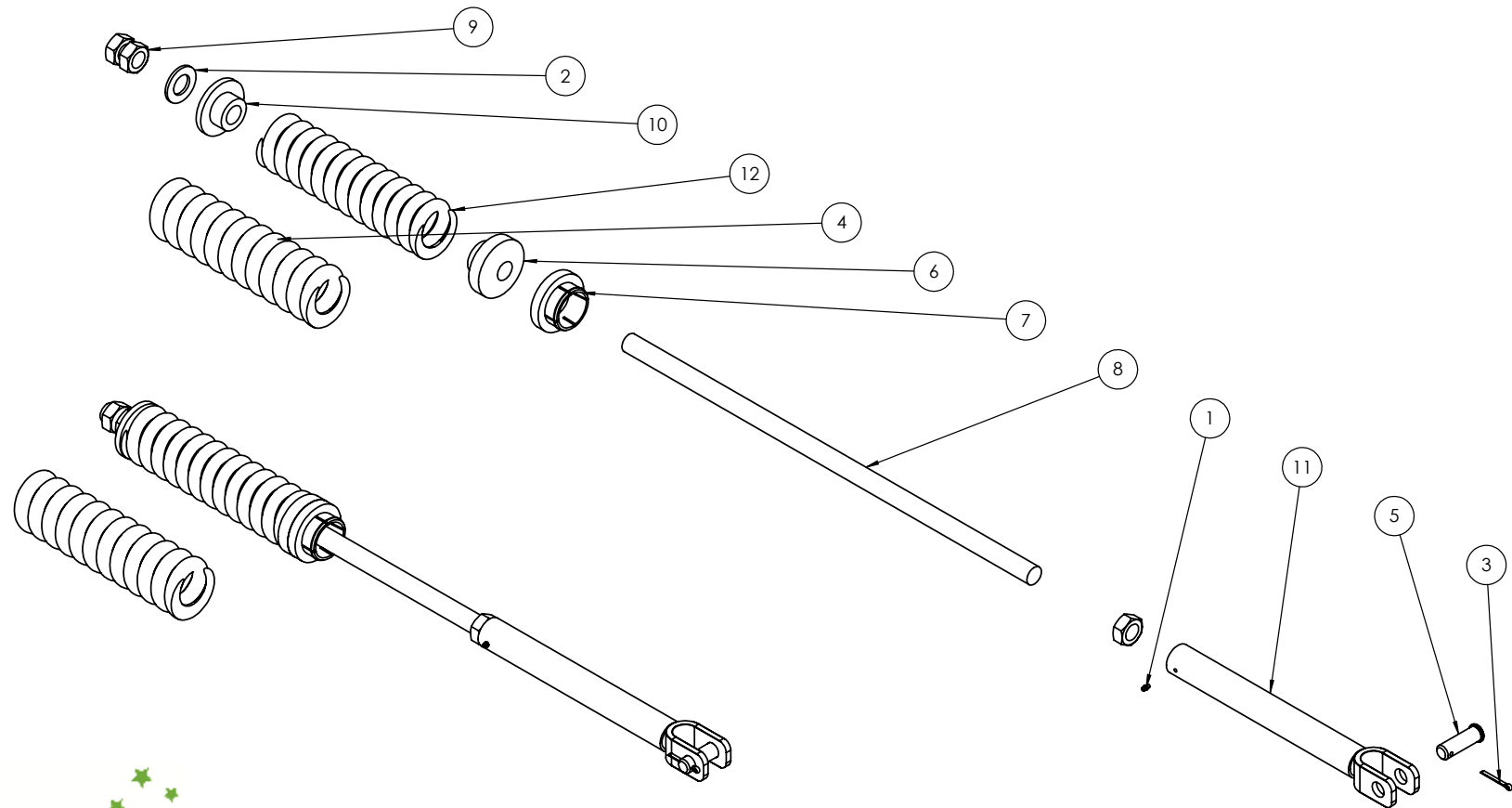
Description  
20mm Bolt Swivel Unit

For Machines Built:  
2002-

Revision

ITEM NO.	PART NUMBER	Notes	Revision	DESCRIPTION	QTY.
1	0181-GN1-4			Grease Nipple 1/4" UNF	1
2	0232-HT11-4			Washer High Tensile 1 1/4"	1
3	0261-PINC550		A	Cotter Pin M5 x 50	1
4	0801-K2455350	1	A	Heavy Duty Coil Spring 24mm	1
5	0801-KE0307-1		A	Clevis Pin 25mm x 75mm	1
6	0801-KE0805-3		B	Tensioner Cup - Male	1
7	0801-KE0805-4		D	Female Spring Locator	1
8	0801-PCHTA-B6		B	Chain Tension Rod 1.25" 5tpi	1
9	0801-PCHTA-N6		B	ACME Lock Nut 1 1/4 - 5NA - 2G	3
10	0801-PCHTA-SB		B	Steel Spring Retaining Bush	1
11	0801-PCHTABC		B	Tension Assembly Body with Clevis	1
12	0801-XK9261S	2	A	20mm Compression Spring	1
13	0802-PCHTA			Chain Tension Linkage Set (Items 1,2,3,5,8,9,10,11)	

Notes:  
 1 Used on rear chain tension 50-60' machines only  
 2 Used in all other areas



Part Number  
**0802-PCHTAA**

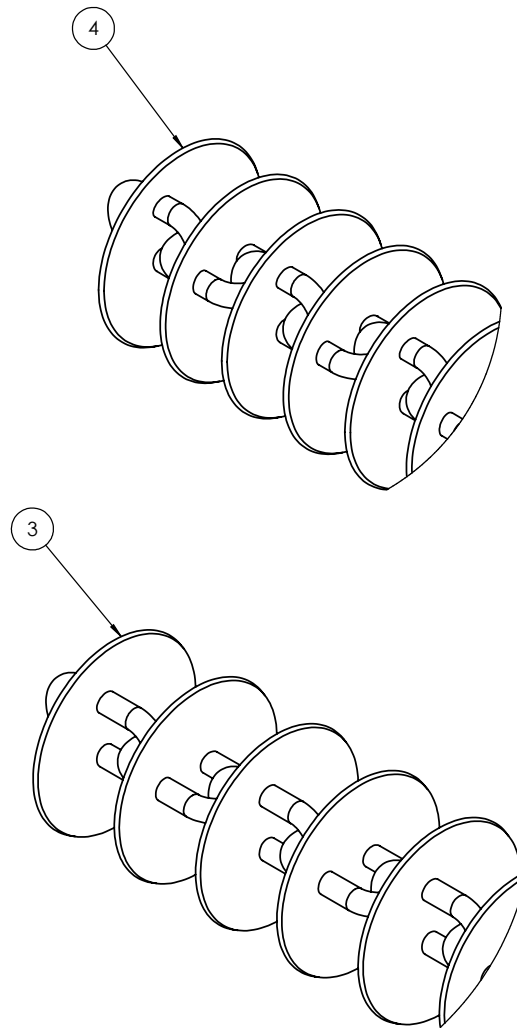
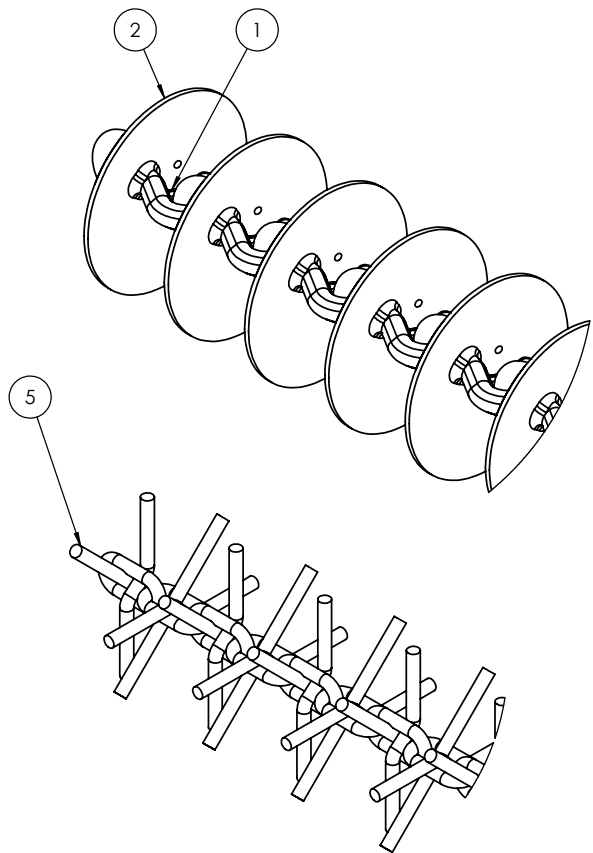
Description  
 Chain Tension Assembly

For Machines Built:  
 All(2006)-

Revision  
 A



ITEM NO.	PART NUMBER	Revision	DESCRIPTION	QTY.
1	0262-3-8X3	A	Roll Pin Zinc Plated 3/8" x 3"	46
2	0803-CL1	C	CL1-B Chain Disc Link	46
3	0803-W36	A	W36/25 Chain Link	45
4	0803-R300	A	R300 Chain Link	59
5	0803-PCH	A	Prickle Chain Link	83



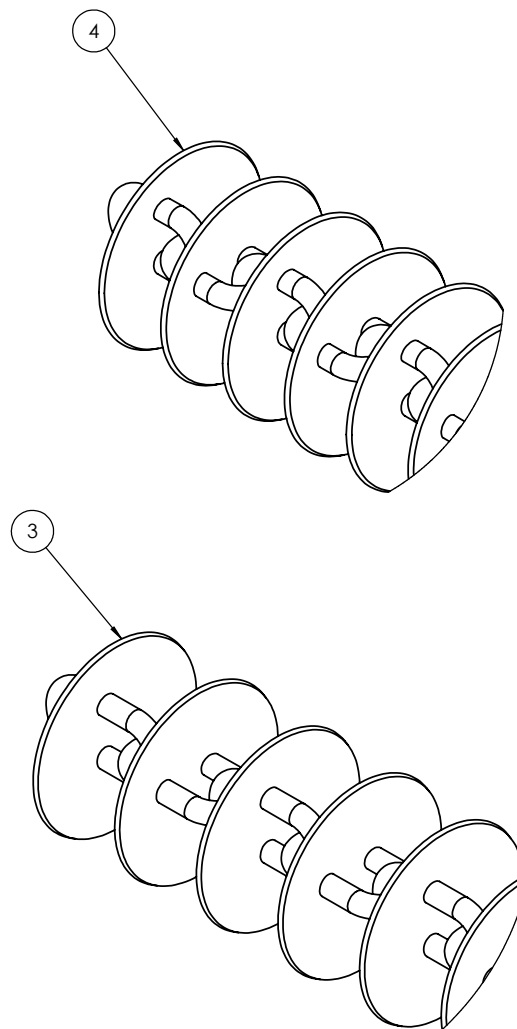
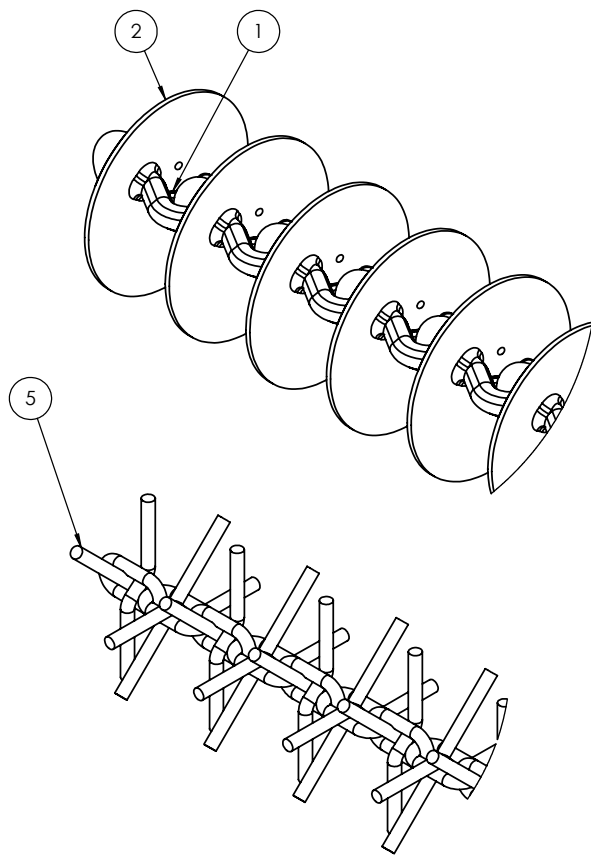
Part Number  
**0803-40-FL&R**

Description  
**40' Front Chain**

For Machines Built:

Revision

ITEM NO.	PART NUMBER	Revision	DESCRIPTION	QTY.
1	0262-3-8X3	A	Roll Pin Zinc Plated 3/8" x 3"	46
2	0803-CL1	C	CL1-B Chain Disc Link	46
3	0803-W36	A	W36/25 Chain Link	45
4	0803-R300	A	R300 Chain Link	59
5	0803-PCH	A	Prickle Chain Link	83



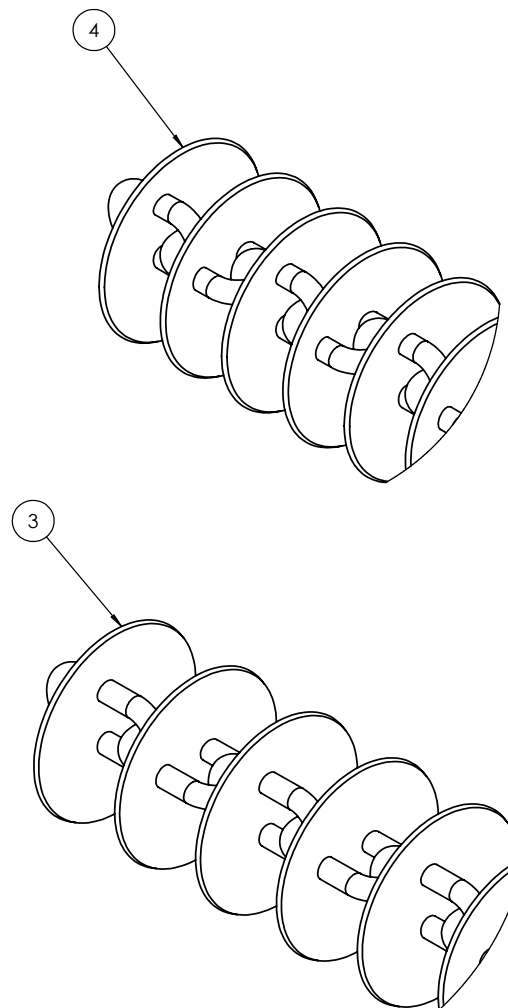
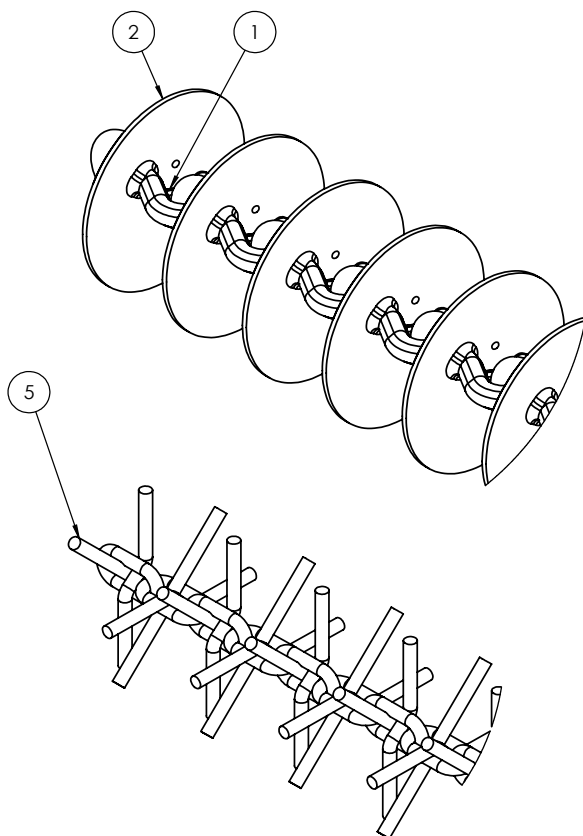
Part Number  
**0803-40-LHR**

Description  
**40' Left Hand Rear Chain**

For Machines Built:

Revision

ITEM NO.	PART NUMBER	Revision	DESCRIPTION	QTY.
1	0262-3-8X3	A	Roll Pin Zinc Plated 3/8" x 3"	55
2	0803-CL1	C	CL1-B Chain Disc Link	55
3	0803-W36	A	W36/25 Chain Link	54
4	0803-R300	A	R300 Chain Link	71
5	0803-PCH	A	Prickle Chain Link	99



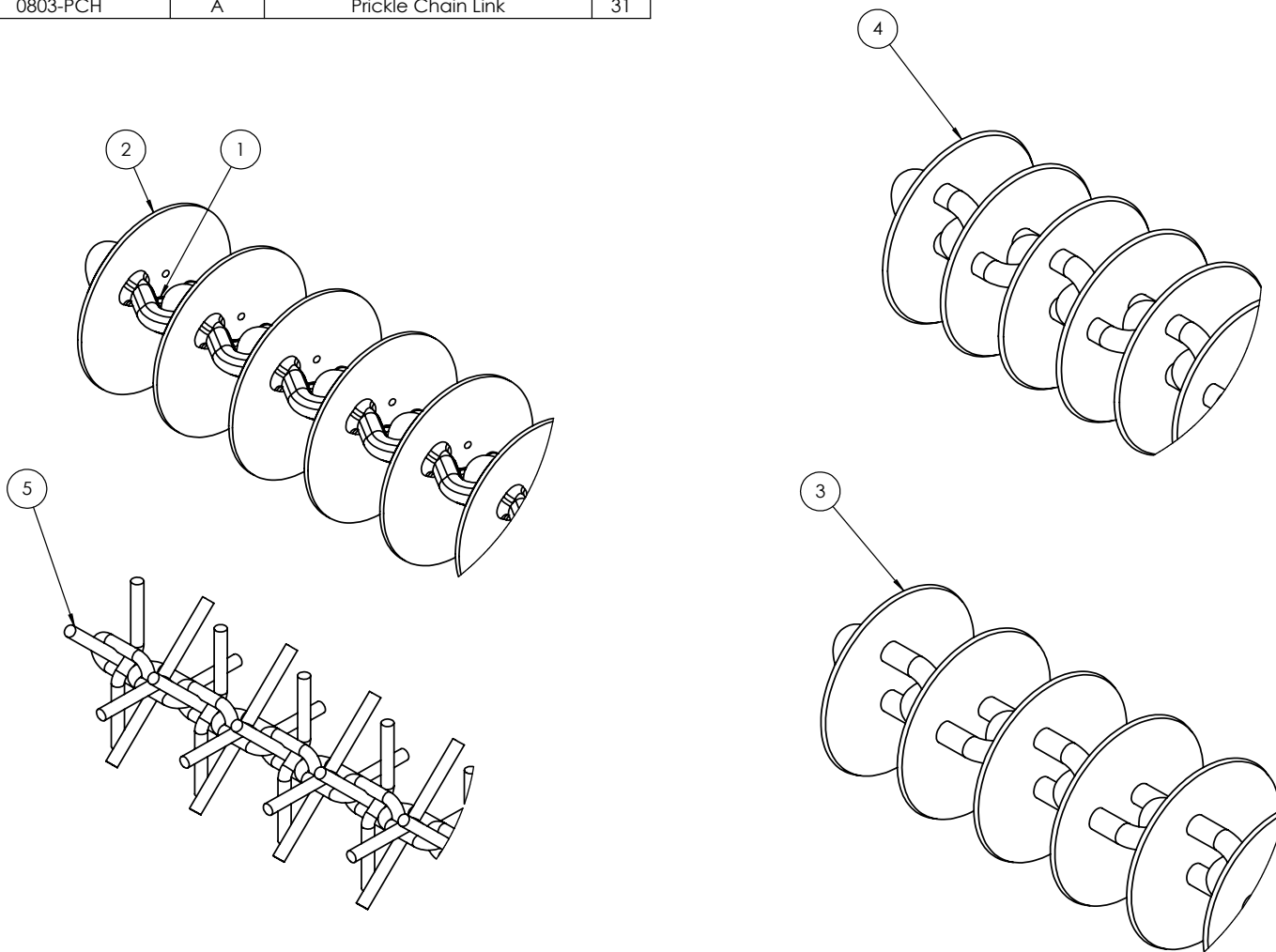
Part Number  
**0803-40-RHR**

Description  
**40' Right Hand Rear Chain**

For Machines Built:

Revision

ITEM NO.	PART NUMBER	Revision	DESCRIPTION	QTY.
1	0262-3-8X3	A	Roll Pin Zinc Plated 3/8" x 3"	17
2	0803-CL1	C	CL1-B Chain Disc Link	17
3	0803-W36	A	W36/25 Chain Link	16
4	0803-R300	A	R300 Chain Link	22
5	0803-PCH	A	Prickle Chain Link	31



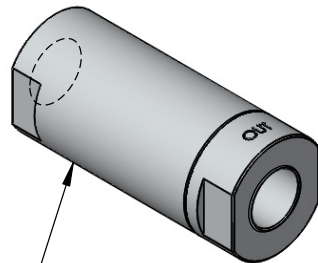
Part Number  
**0803-40-MOD**

Description  
30-45' Module Chain

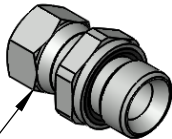
For Machines Built:

Revision

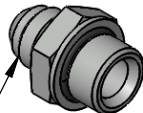
# Appendix



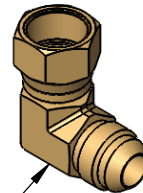
0343-924001261  
1/2" BSPP 60 micron inline filter  
max flow 60L/M & 5000psi max pressure



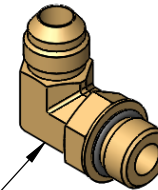
0323-S71-0812  
1/2"BSPP O Ring Male - 3/4"JIC Female  
Adaptor



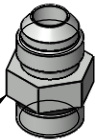
0323-S74-0812  
1/2"BSPP O Ring Male - 3/4"JIC Male  
Adaptor



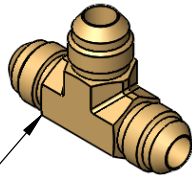
0323-S15-1212  
3/4"JIC Male - 3/4"JIC Female  
90° Elbow



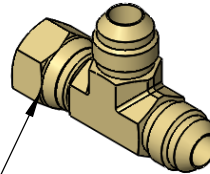
0323-S91-1212  
3/4"JIC Male - 3/4"UNO Male  
90° Elbow



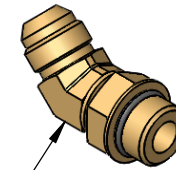
0323-S90-1212  
3/4"JIC Male - 3/4"UNO Male  
Adaptor



0324-S19-121212  
3/4"JIC Male  
Tee



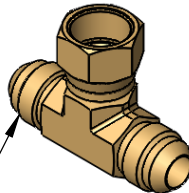
0324-S67-121212  
3/4"JIC Male - 3/4"JIC Female - 3/4"JIC Male  
Tee



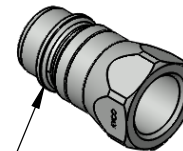
0323-S88-1212  
3/4"JIC Male - 3/4"UNO Male  
45° Elbow



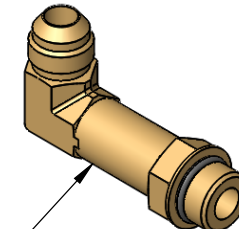
0324-S92-121212  
3/4"JIC Male - 3/4"JIC Female - 3/4"UNO Male  
Tee



0324-S68-121212  
3/4"JIC Male - 3/4"JIC Female - 3/4"JIC Female  
Tee



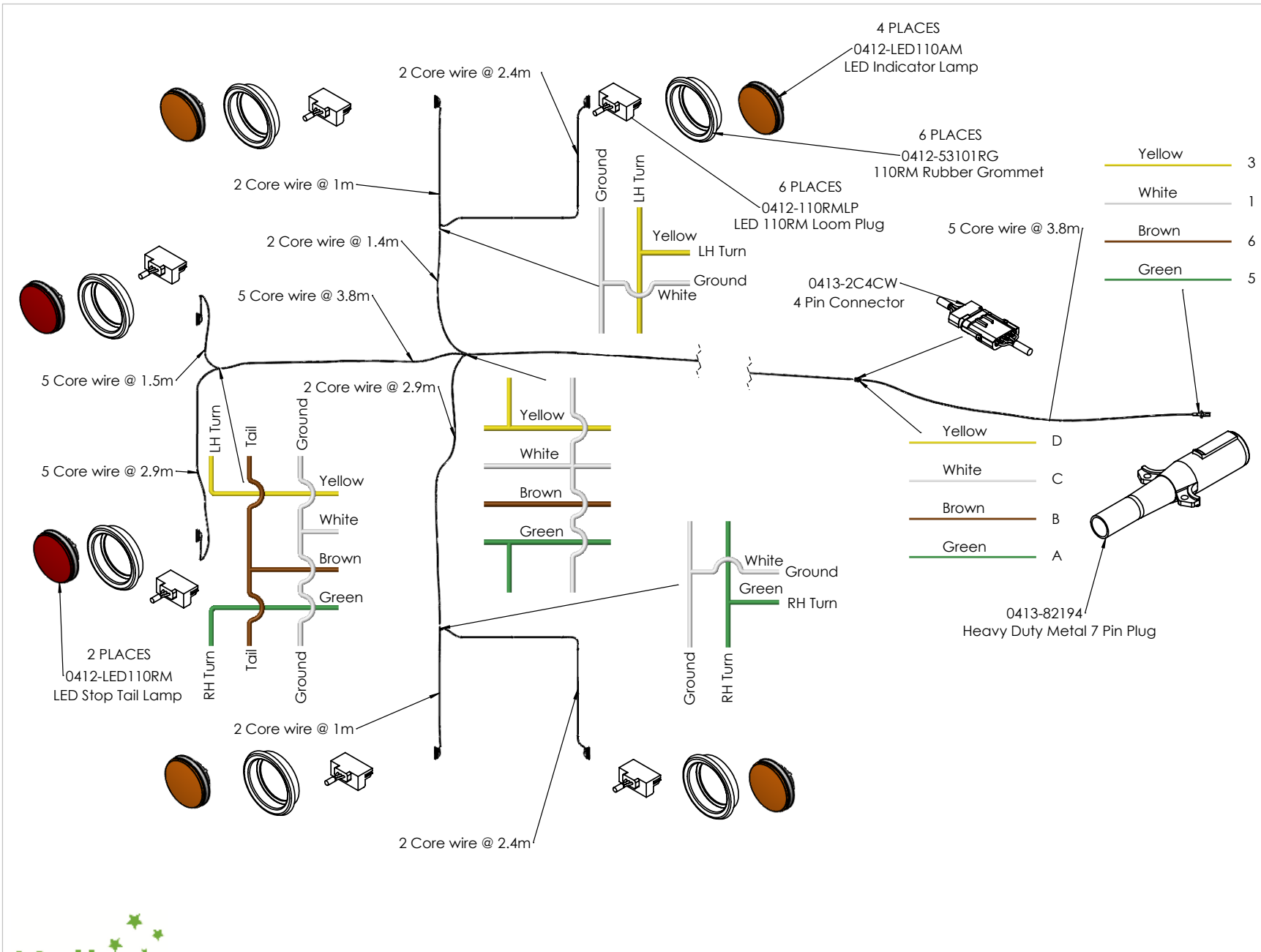
0325-R91-08M  
1/2" BSPP  
Quick Release Ball Coupling



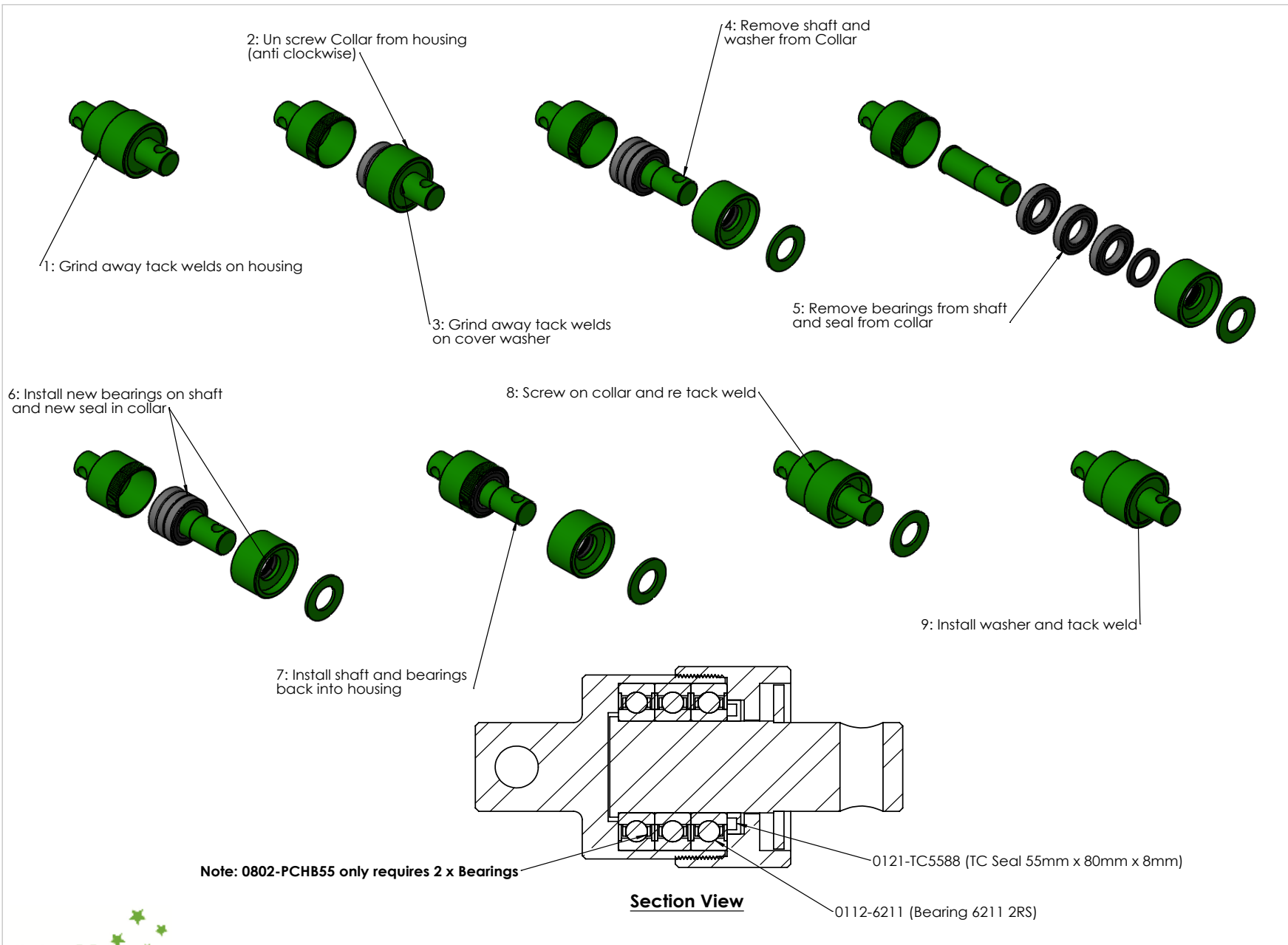
0323-S12-1212  
3/4"JIC Male - 3/4"UNO Male  
Extended 90° Elbow



Part Number	Description	For Machines Built:	Revision
Hydraulic Fittings Parts Information			A



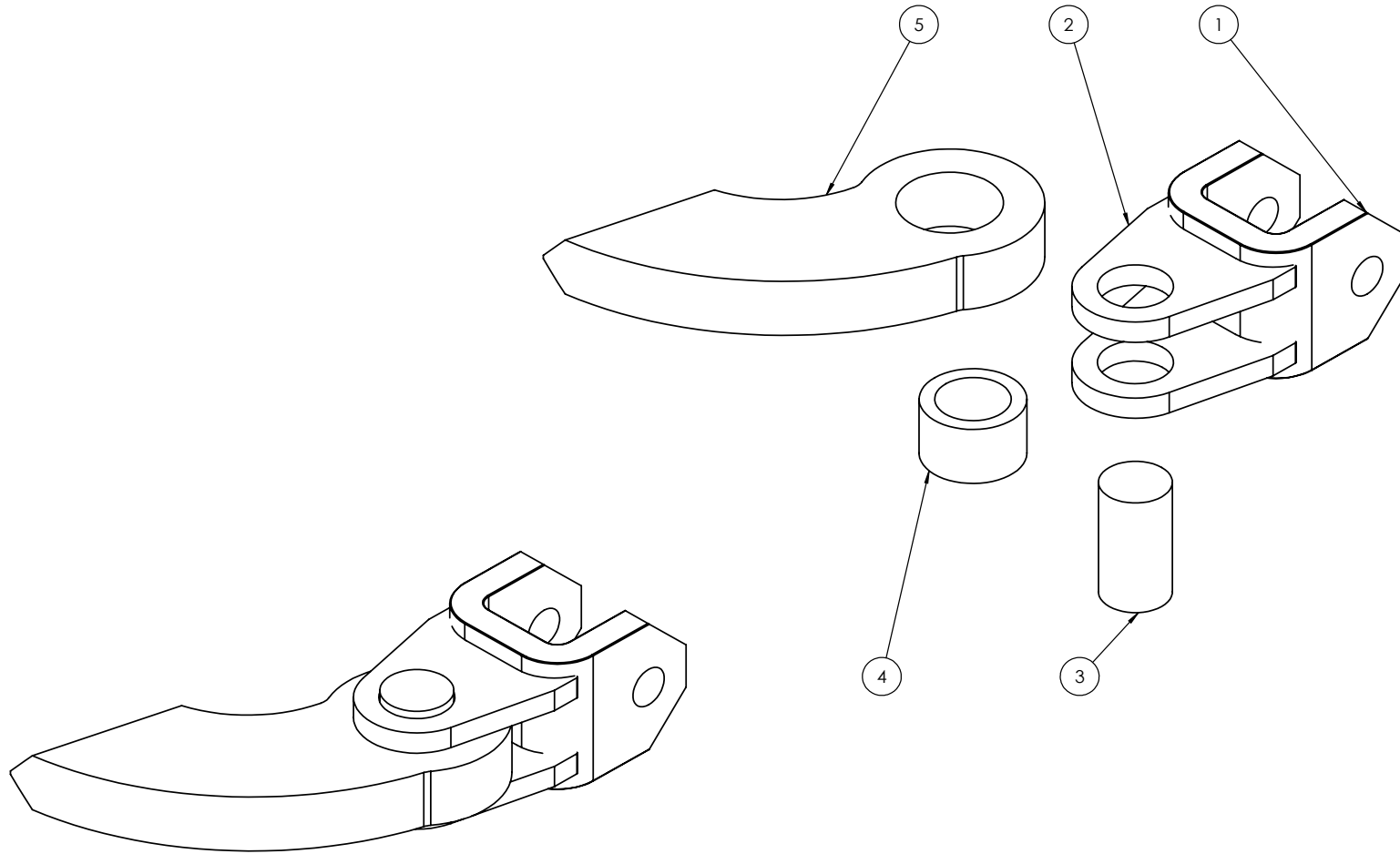
Part Number	Description	For Machines Built:	Revision
<b>0802-USLK40</b>	US 40' Light Kit		<b>B</b>



Part Number	Description	For Machines Built:	Revision
<b>0802-PCHB55 (30,40,45')</b> <b>0802-PCHB553 (50,60,65')</b>	Rebuild instructions for Kelly Diamond Harrow swivels	All	A



ITEM NO.	PART NUMBER	QTY.	Unit
2	0801-KE53U	1	
2	0800-103.3	2	
3	35mm Shaft	65	mm
4	50 x 36 Stainless Steel Hollow Bar	32	mm
5	0800-19.6	1	



Part Number  
**0810-DLR-304045**

Description  
**Drop Leg Rebuild Kit 30/40/45"**

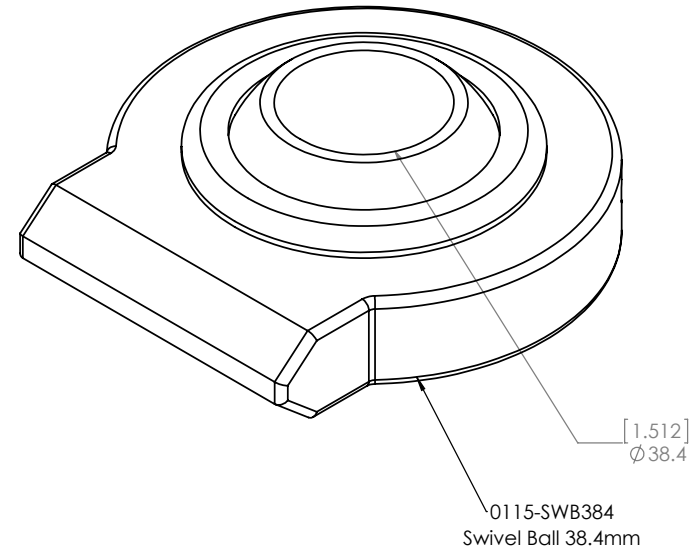
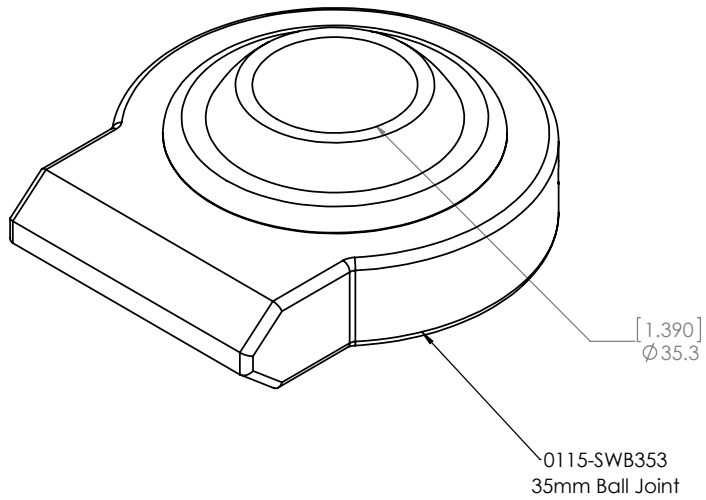
For Machines Built:

Revision

**A**

PART NUMBER	DESCRIPTION	NOTES	QTY.
0115-SWB353	35mm Ball Joint	Used on Rear A-Frames and Rear Tails	1

PART NUMBER	DESCRIPTION	NOTES	QTY.
0115-SWB384	Swivel Ball 38.4mm	Used on Drawbars	1



Part Number	Description	For Machines Built:	Revision
<b>Swivel Ball Joints</b>	Swivel Ball Joint part numbers		<b>A</b>



