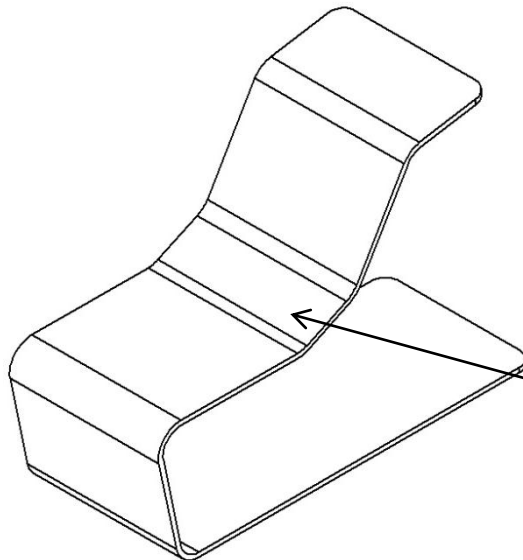
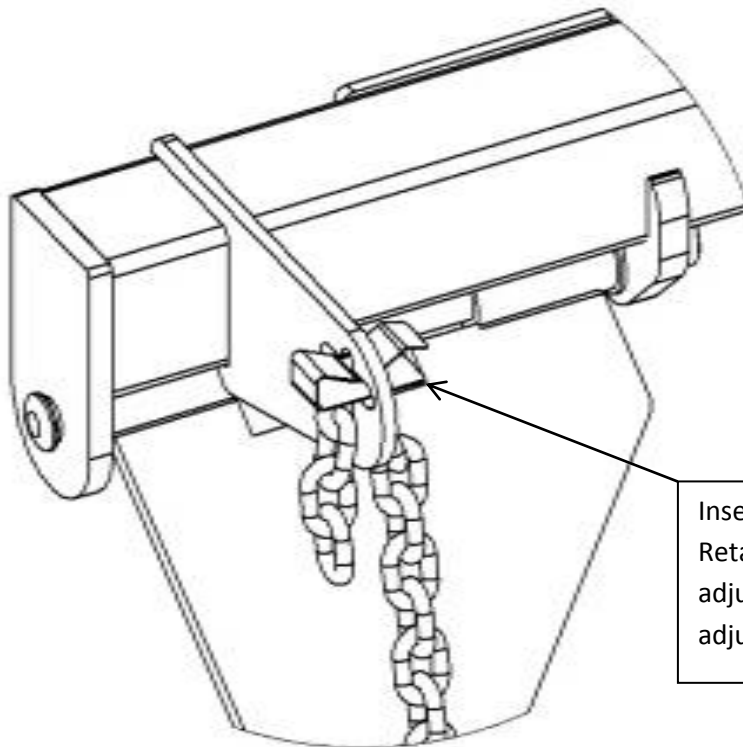


Fitting Adjustor Chain Retaining Clips



Locate Part KE014 (Height Adjustor Retaining Clip) x 8 per machine



Insert Part KE014 (Height Adjustor Retaining Clip) x 8 per machine Into adjusting chain cross slot to prevent adjusting chain becoming dislodged.