



Diamond Chain Harrow Assembly and Parts Manual

Model 50

Revised D December 2016

Kelly Engineering
PO Box 100
Booleroo Centre SA 5482
Australia

Phone: + 61 8 8667 2253

Fax: + 61 8 8667 2250

Email: office@kellyengineering.com.au

Website (US): www.kellyharrows.com

Website (Australia): www.kellyengineering.com.au



Thank you for choosing a Kelly Engineering product

We trust that you find the following manual clear and easy to follow. If you should require additional customer support or assistance, please do not hesitate to contact us.

Spare parts can be purchased, as required, through your local dealer or by contacting Kelly Engineering Australia or in the United States, Hood & Company.

Kelly Engineering welcomes feedback. Should you have any difficulties that you wish to raise, suggestions for improvement or modifications that you feel would enhance our products we look forward to hearing from you.

Australia

Kelly Engineering

PO Box 100

Booleroo Centre SA 5482

Phone: + 61 8 8667 2253

Fax: + 61 8 8667 2250

Email: sales@kellyengineering.com.au

Spare Parts: parts@kellyengineering.com.au

Website: www.kellyengineering.com.au

United States

Kelly Engineering

Website: www.kellyharrows.com

Spare Parts

Hood & Company Inc

Springfield MO

Phone: 417 865 2100

Fax: 417 865 2105

Email: hoodco@hoodco.com

Contents

	Page no
Section 1: Unpacking	4
Section 2: Parts	7
Section 3: Diagrams and charts	51
Overview	52
Chains	53
Hydraulics	54
Hose map	55
Hose layout	56
Wiring diagram	57
Mounting swivels	58
Fitting cast link retaining pins	59
Specifications	60-61
Section 4: Operation	62
Basic operation and chain tension	63
Module and chain tension	64
Correct working height	65
Assembly Updates	66
Front cylinder depth stop	66
Hydraulic valve block V8-19	67
Brake disc collar	68
Correct hose attachment	69
CL2 chain configuration - All machines	70
CL2 chain configuration - 50ft	71
Chain tensioners on rear tail	72-74
CL2 disc change procedure	75-77
Chain Carrier Locations	78

Section 1

Unpacking

Unpacking

We recommend the use of suitable lifting equipment



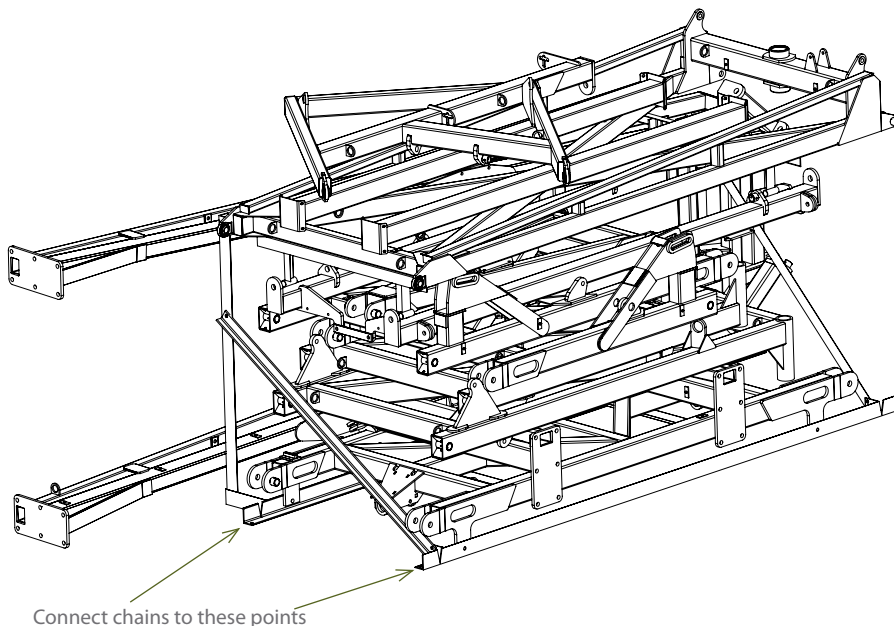
- Before opening shipping container inspect exterior for any damage. Remove seal and open container doors.

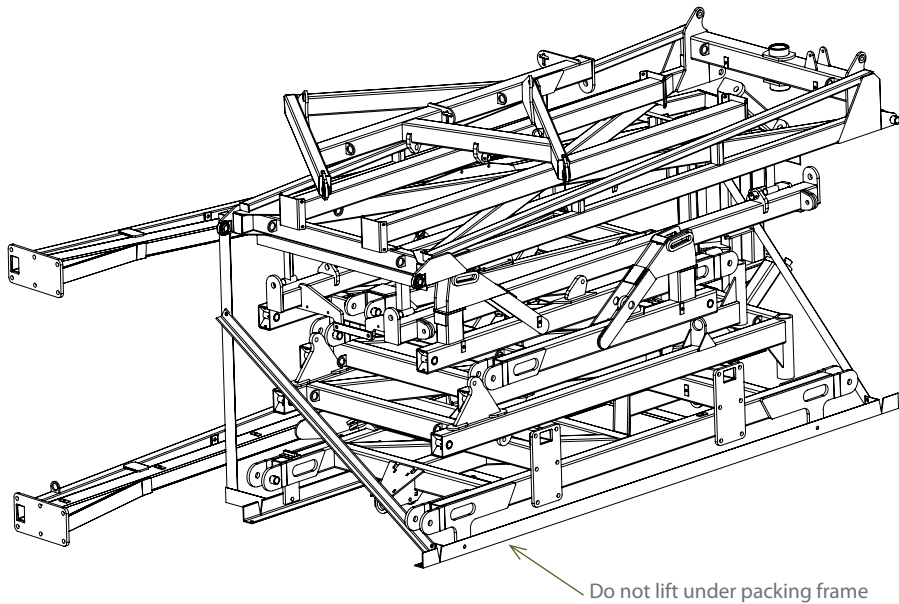


CAUTION

Take care when opening doors as load may have shifted or restraints may have broken.

- Remove boxes from doorway of container one at a time using a forklift truck. Each box weighs approximately 2600 lbs (1200kg)
- Check strapping on each bundle before attempting to remove
- Attach chains to the packing frame using shackles and using suitable equipment (eg. fork-lift or tractor) drag framework bundles out of container. To move bundles away from front of container lift from side with forklift. Do not lift under angle iron frame, lift only under centre frame. Each bundle weighs approximately 7000 lb (3200 kg).





CAUTION

Before cutting straps attach slings or chains and take the weight of the frames to avoid them slipping or falling and causing injury.



CAUTION

Wear eye and hand protection when cutting straps. Sharp edges are exposed as straps separate and may cause injury.



CAUTION

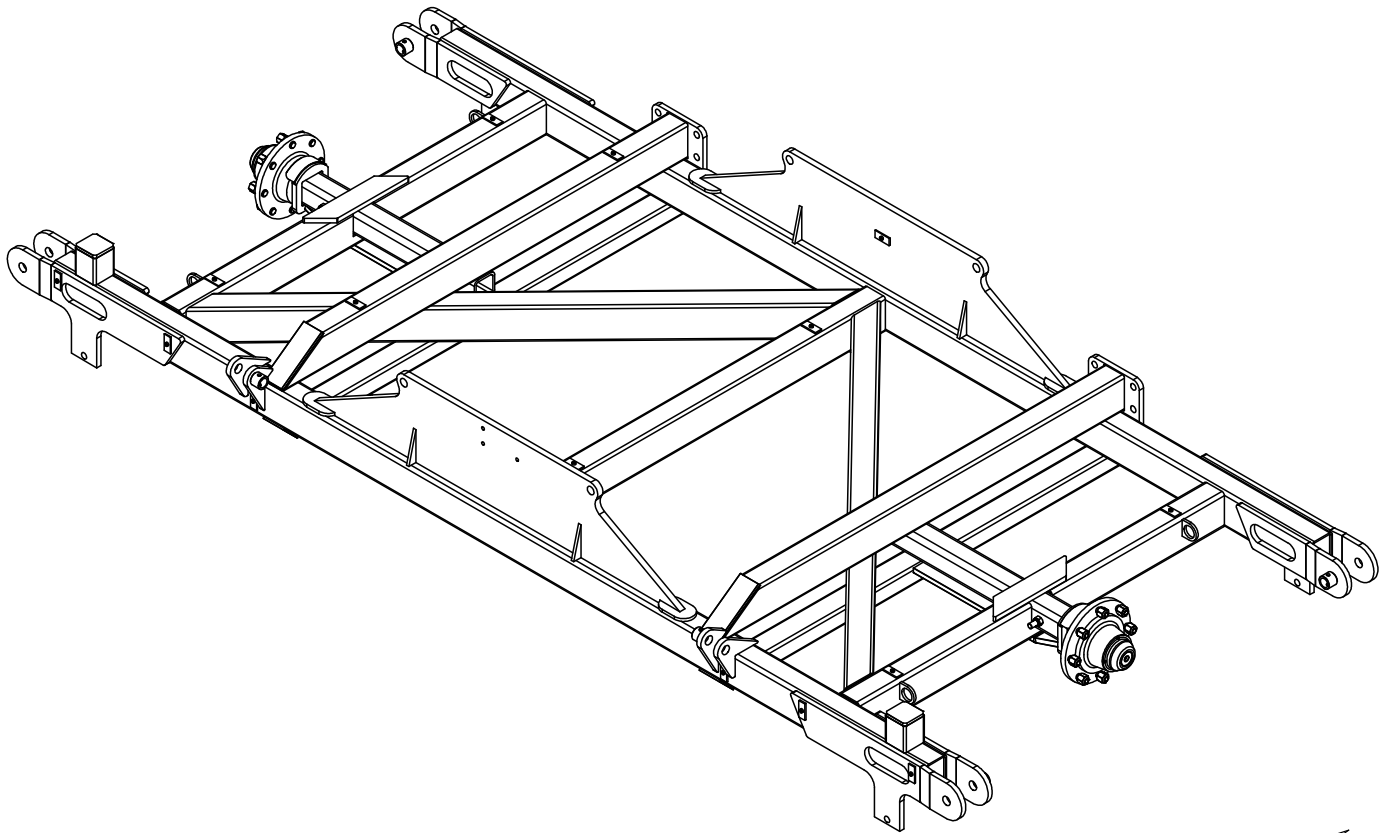
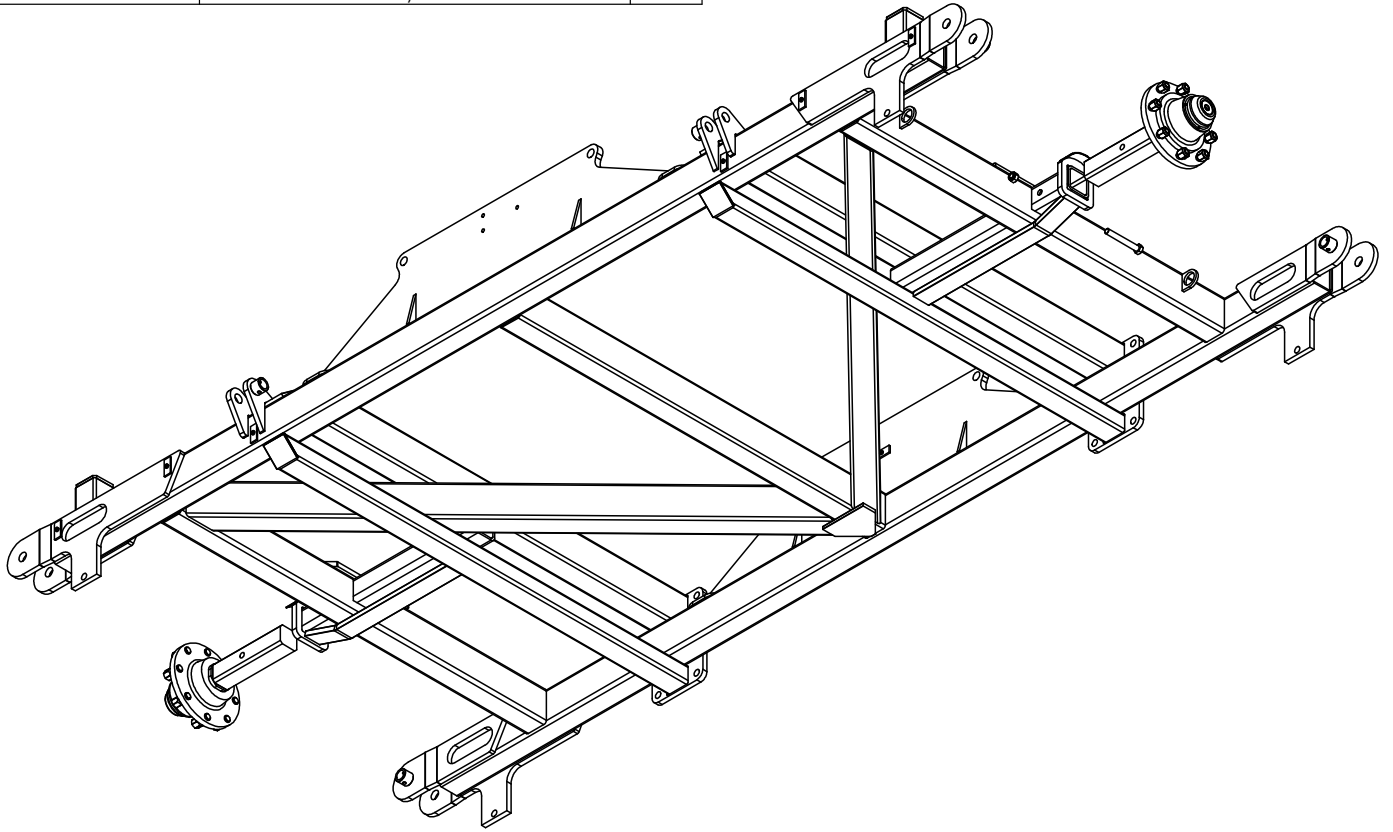
To avoid falling or moving components, before cutting straps attach slings or chains to individual pieces and only cut the straps holding the piece to be lifted.

- Remove boxes from rear of container one at a time using a forklift truck. Each box weighs approximately 2600 lbs (1200 kg)
- Cut straps holding bundles and separate parts and place in assembly area
- Identify parts for each machine by serial no. or description and separate. Open parts box and check that all parts are accounted for against checklist
- Once all parts have been identified machines are ready for assembly
- Read assembly instructions before proceeding.

Section 2

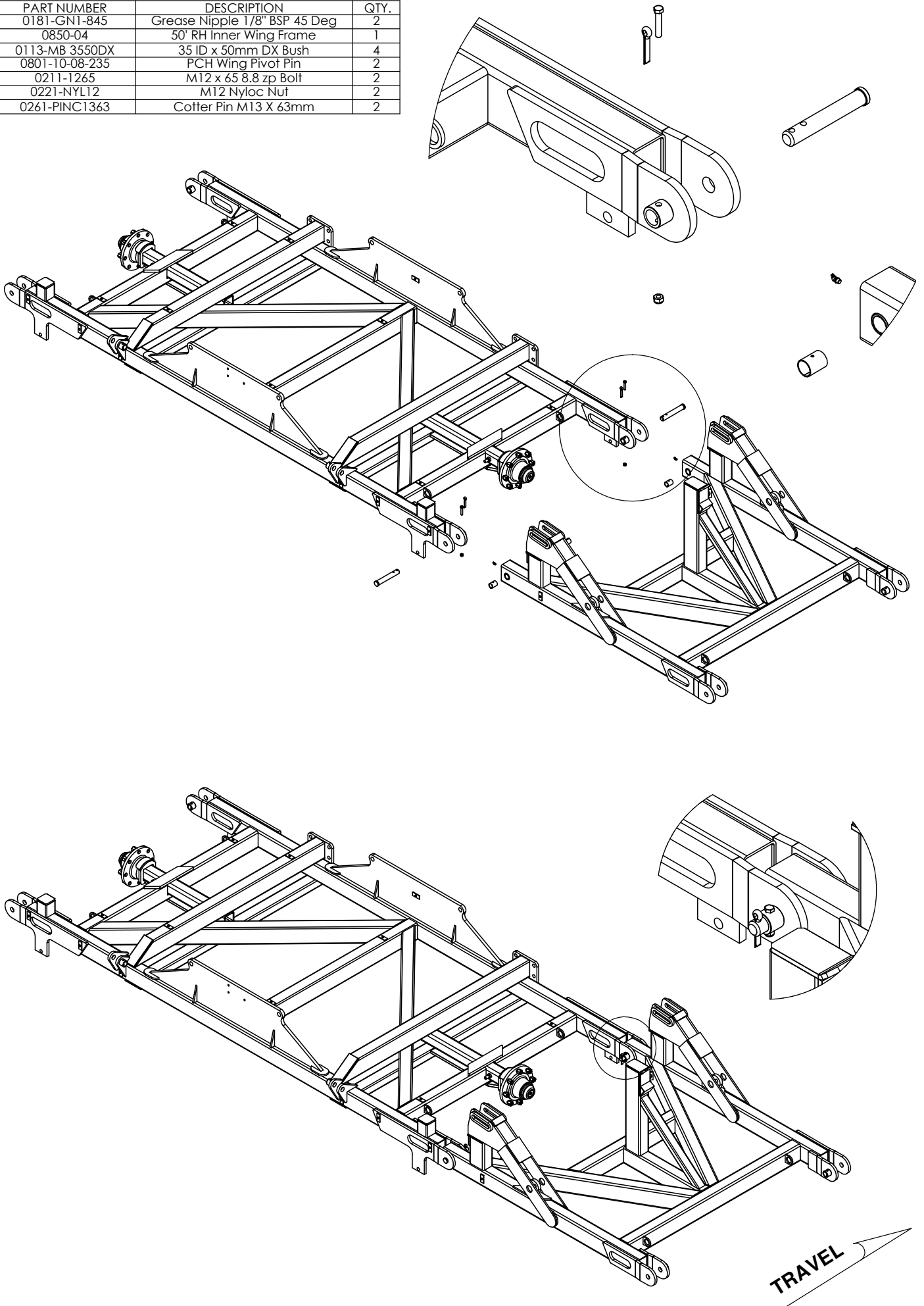
Parts

PART NUMBER	DESCRIPTION	QTY.
0860-01	60'/50' Centre Frame	1
0733-90	90 Series Stub Axle (Stub and Hub Complete)	2
0211-20150	M20 x 150 8.8 zp Bolt	2
0221-NYL20	M20 Nyloc Nut	2

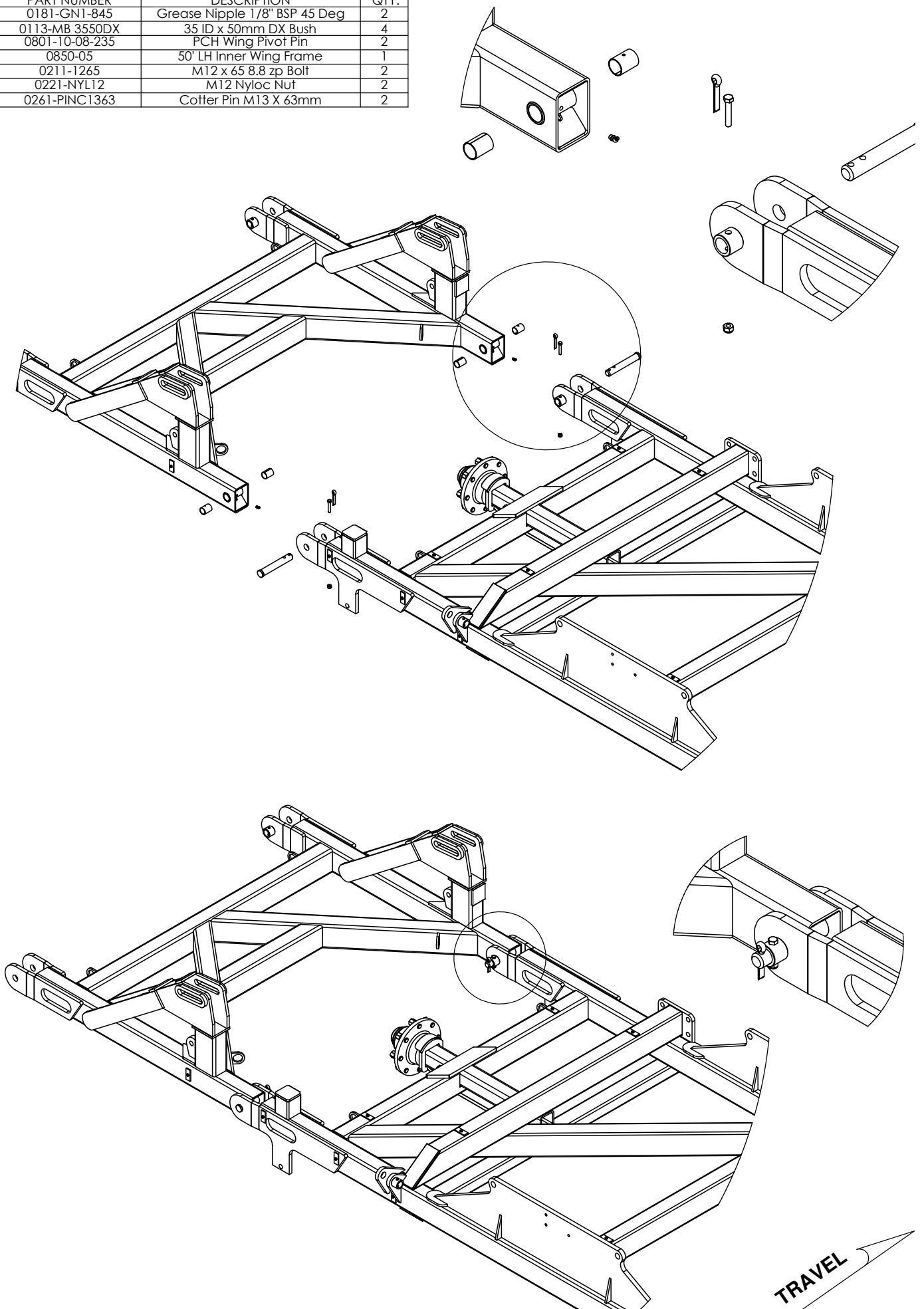


TRAVEL

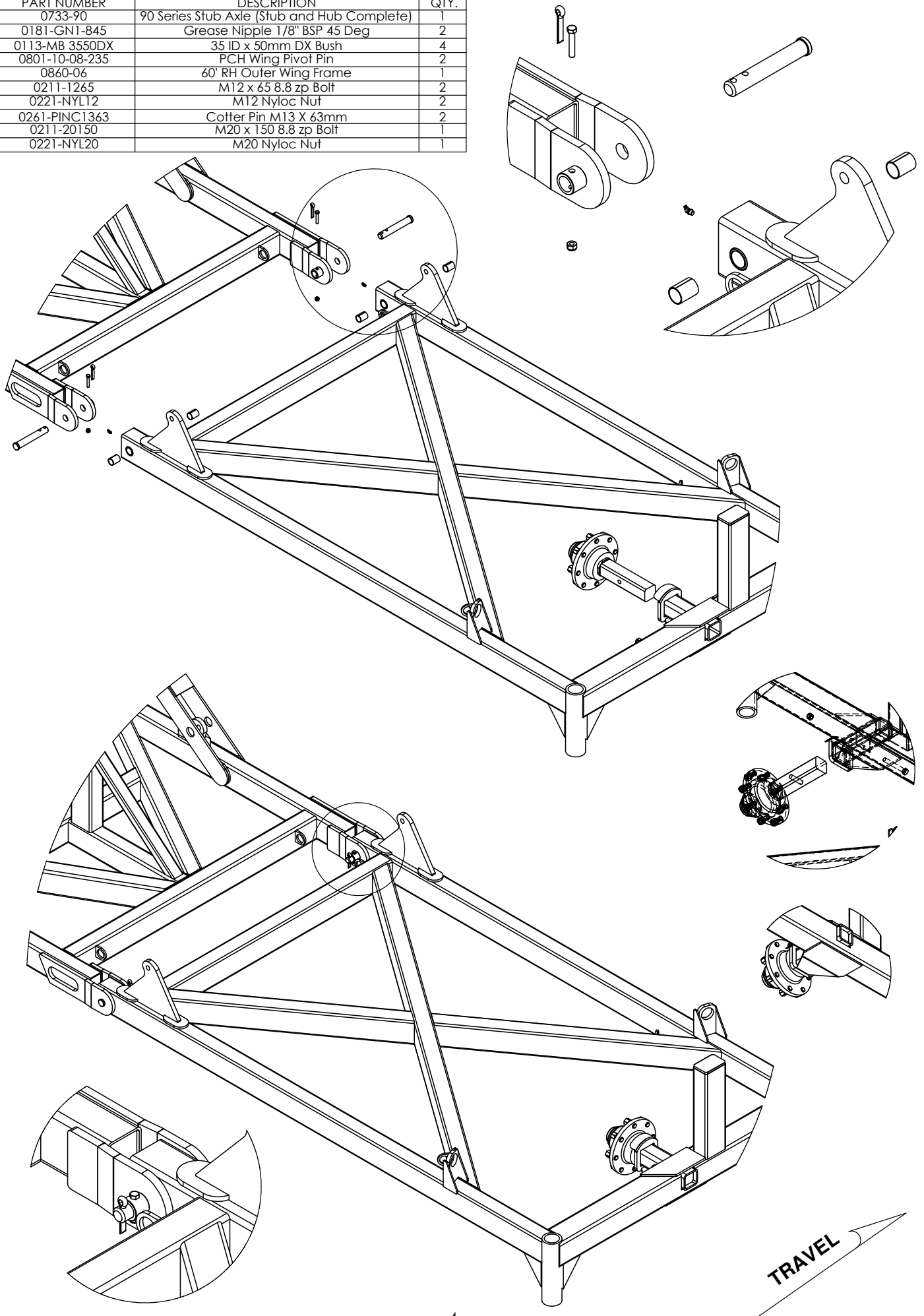
PART NUMBER	DESCRIPTION	QTY.
0181-GN1-845	Grease Nipple 1/8" BSP 45 Deg	2
0850-04	50° RH Inner Wing Frame	1
0113-MB 3550DX	35 ID x 50mm DX Bush	4
0801-10-08-235	PCH Wing Pivot Pin	2
0211-1265	M12 x 65 8.8 zp Bolt	2
0221-NYL12	M12 Nyloc Nut	2
0261-PINC1363	Cotter Pin M13 X 63mm	2



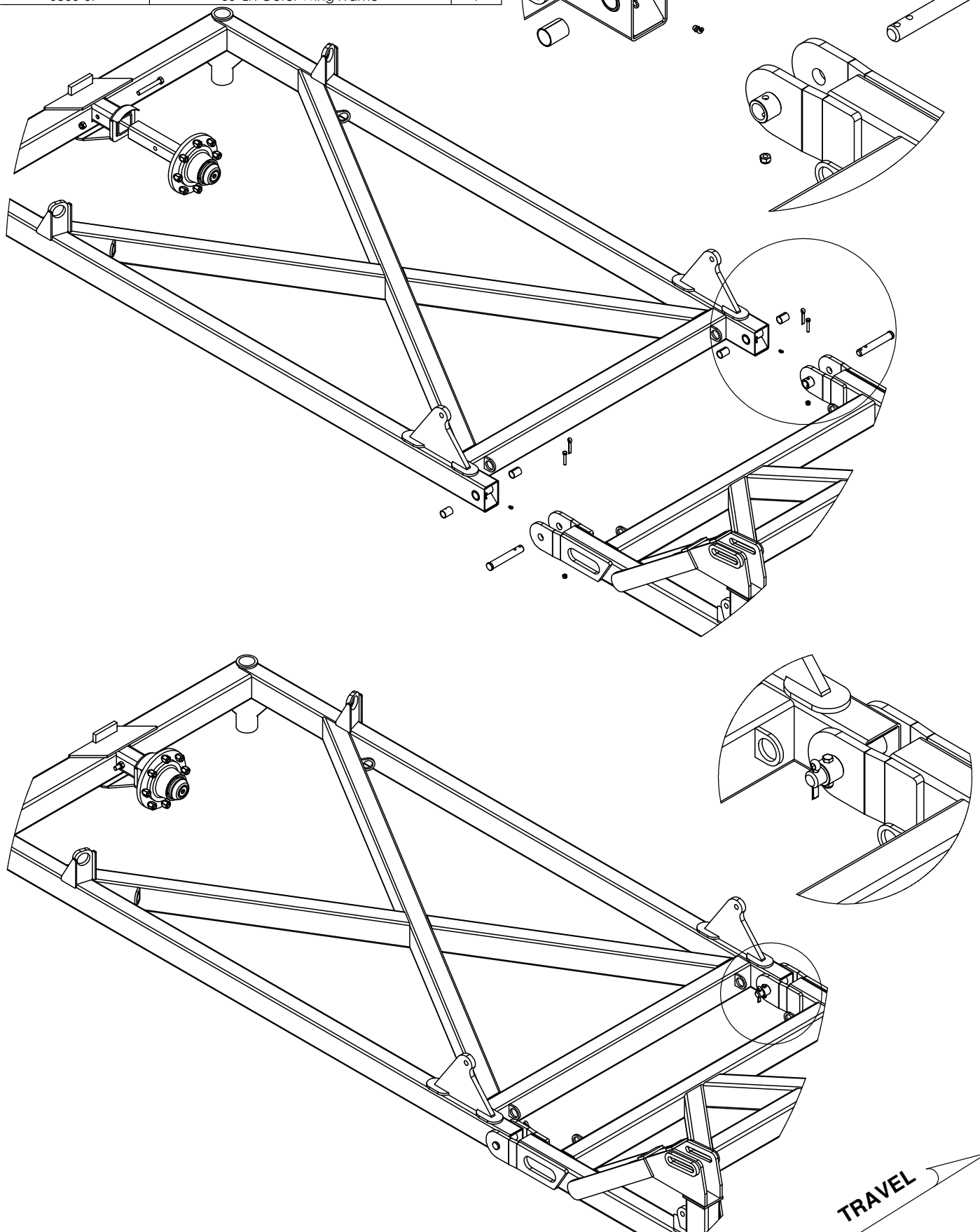
PART NUMBER	DESCRIPTION	QTY.
0181-GN1-845	Grease Nipple 1/8" BSP 45 Deg	2
0113-MB 3550DX	35 ID x 50mm DX Bush	4
0801-10-08-235	PCH Wing Pivot Pin	2
0850-05	50' LH Inner Wing Frame	1
0211-1265	M12 x 65 8.8 zp Bolt	2
0221-NYL12	M12 Nyloc Nut	2
0261-PINC1363	Cotter Pin M13 X 63mm	2



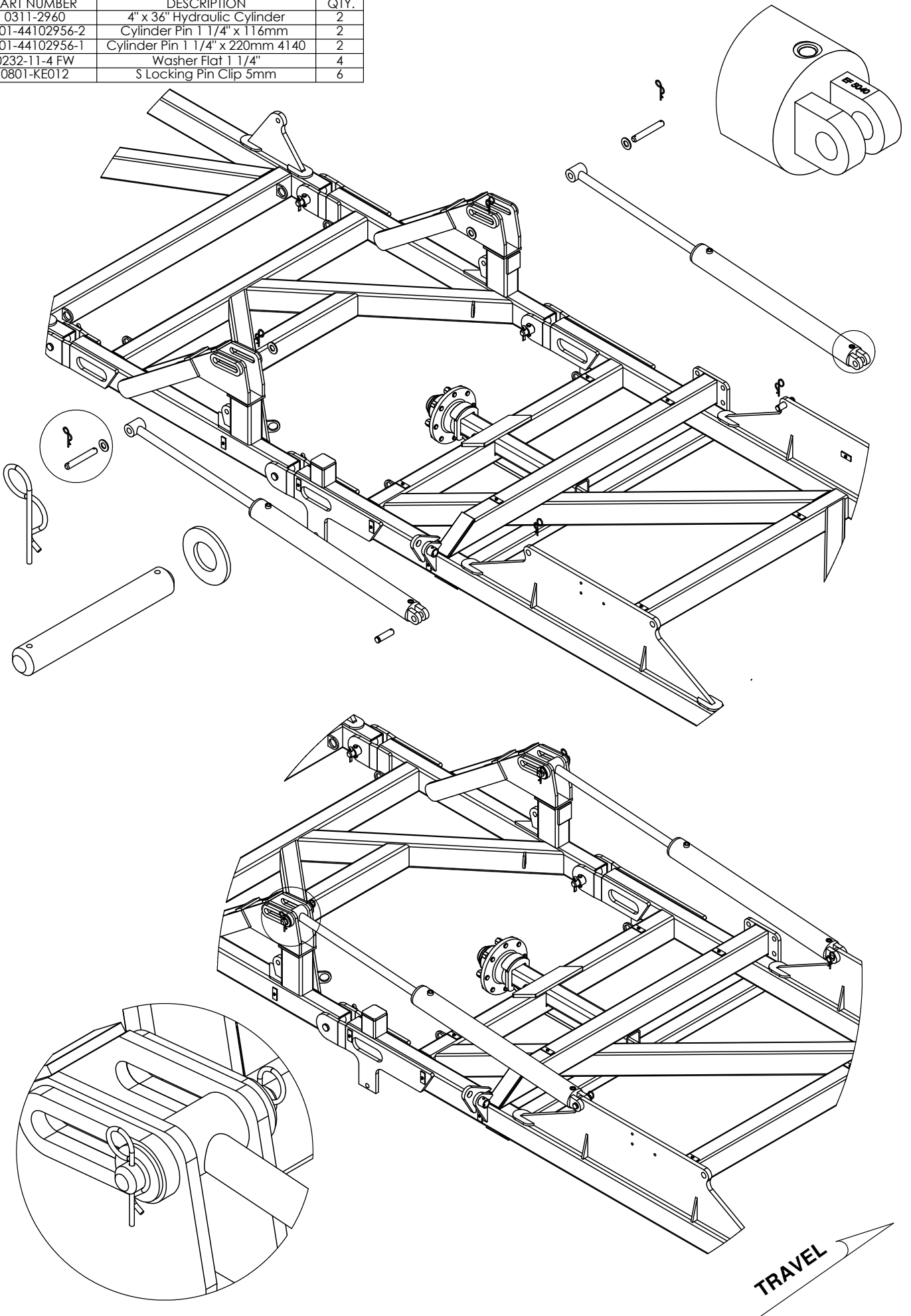
PART NUMBER	DESCRIPTION	QTY.
0733-90	90 Series Stub Axle (Stub and Hub Complete)	1
0181-GN1-845	Grease Nipple 1/8" BSP 45 Deg	2
0113-MB 3550DX	35 ID x 50mm DX Bush	4
0801-10-08-235	PCH Wing Pivot Pin	2
0860-06	60' RH Outer Wing Frame	1
0211-1265	M12 x 65 8.8 zp Bolt	2
0221-NYL12	M12 Nyloc Nut	2
0261-PINC1363	Cotter Pin M13 X 63mm	2
0211-20150	M20 x 150 8.8 zp Bolt	1
0221-NYL20	M20 Nyloc Nut	1



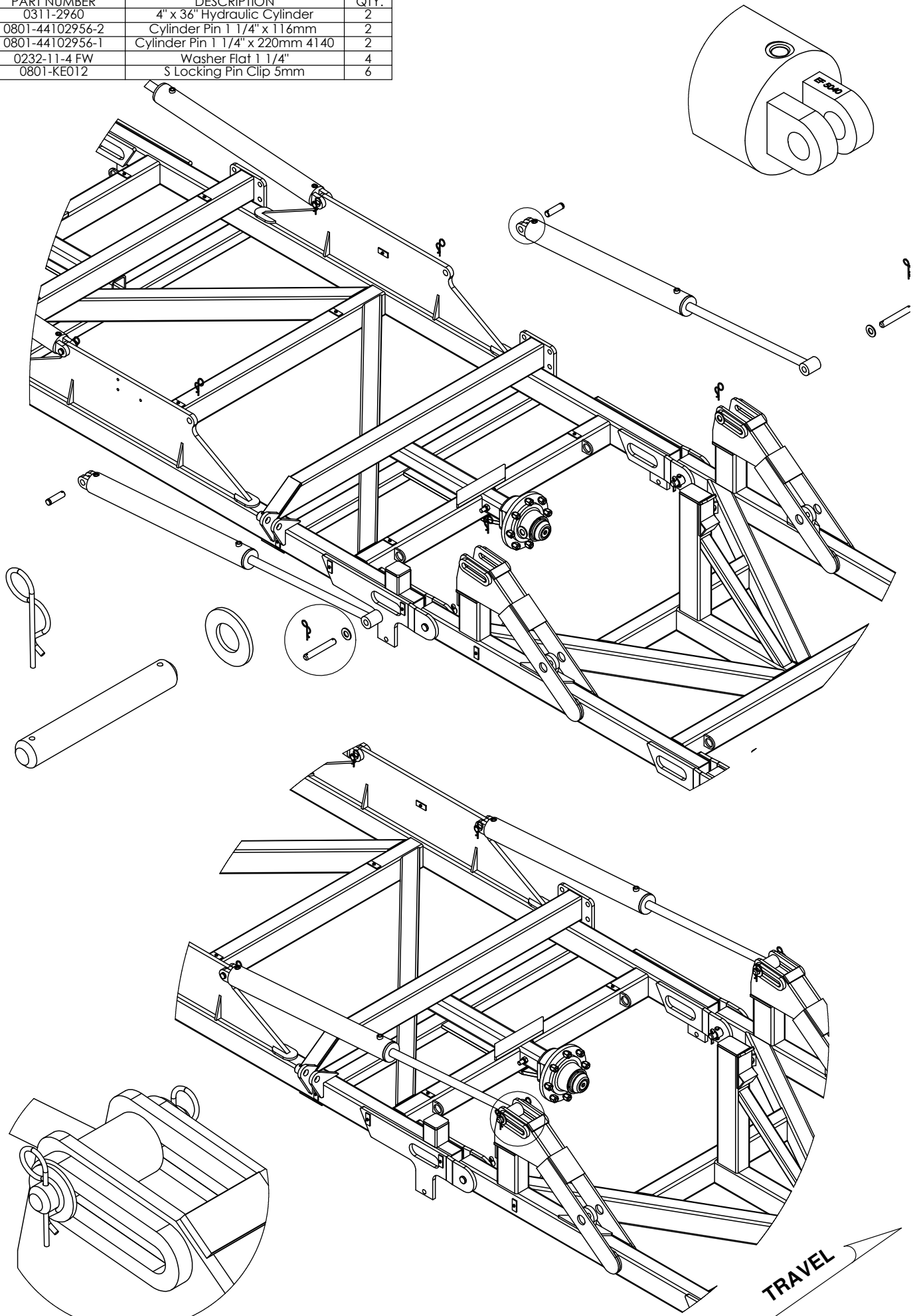
PART NUMBER	DESCRIPTION	QTY.
0733-90	90 Series Stub Axle (Stub and Hub Complete)	1
0181-GN1-845	Grease Nipple 1/8" BSP 45 Deg	2
0113-MB 3550DX	35 ID x 50mm DX Bush	4
0801-10-08-235	PCH Wing Pivot Pin	2
0211-1265	M12 x 65 8.8 zp Bolt	2
0221-NYL12	M12 Nyloc Nut	2
0261-PINC1363	Cotter Pin M13 X 63mm	2
0211-20150	M20 x 150 8.8 zp Bolt	1
0221-NYL20	M20 Nyloc Nut	1
0860-07	60' LH Outer Wing Frame	1



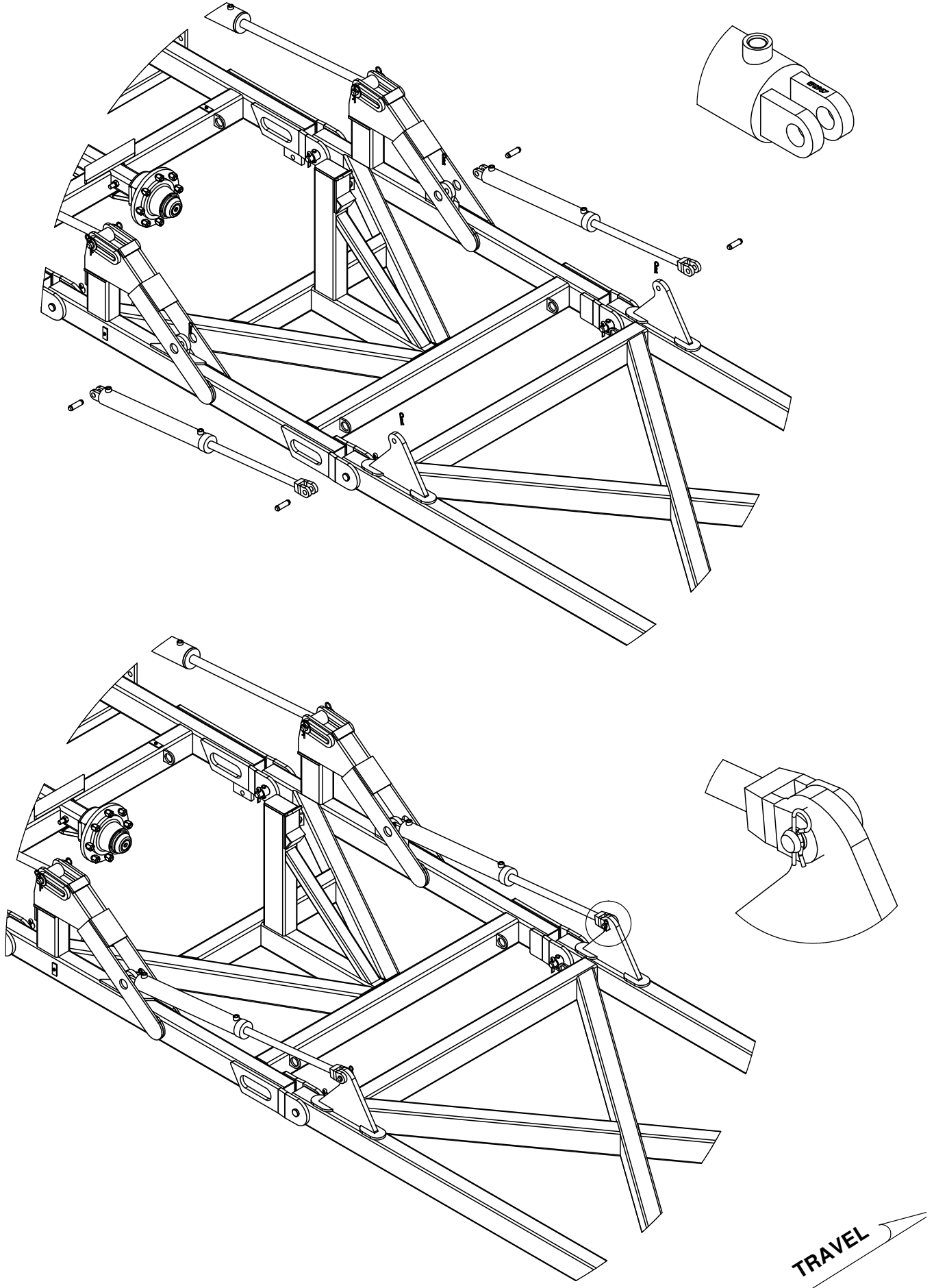
PART NUMBER	DESCRIPTION	QTY.
0311-2960	4" x 36" Hydraulic Cylinder	2
0801-44102956-2	Cylinder Pin 1 1/4" x 116mm	2
0801-44102956-1	Cylinder Pin 1 1/4" x 220mm 4140	2
0232-11-4 FW	Washer Flat 1 1/4"	4
0801-KE012	S Locking Pin Clip 5mm	6



PART NUMBER	DESCRIPTION	QTY.
0311-2960	4" x 36" Hydraulic Cylinder	2
0801-44102956-2	Cylinder Pin 1 1/4" x 116mm	2
0801-44102956-1	Cylinder Pin 1 1/4" x 220mm 4140	2
0232-11-4 FW	Washer Flat 1 1/4"	4
0801-KE012	S Locking Pin Clip 5mm	6

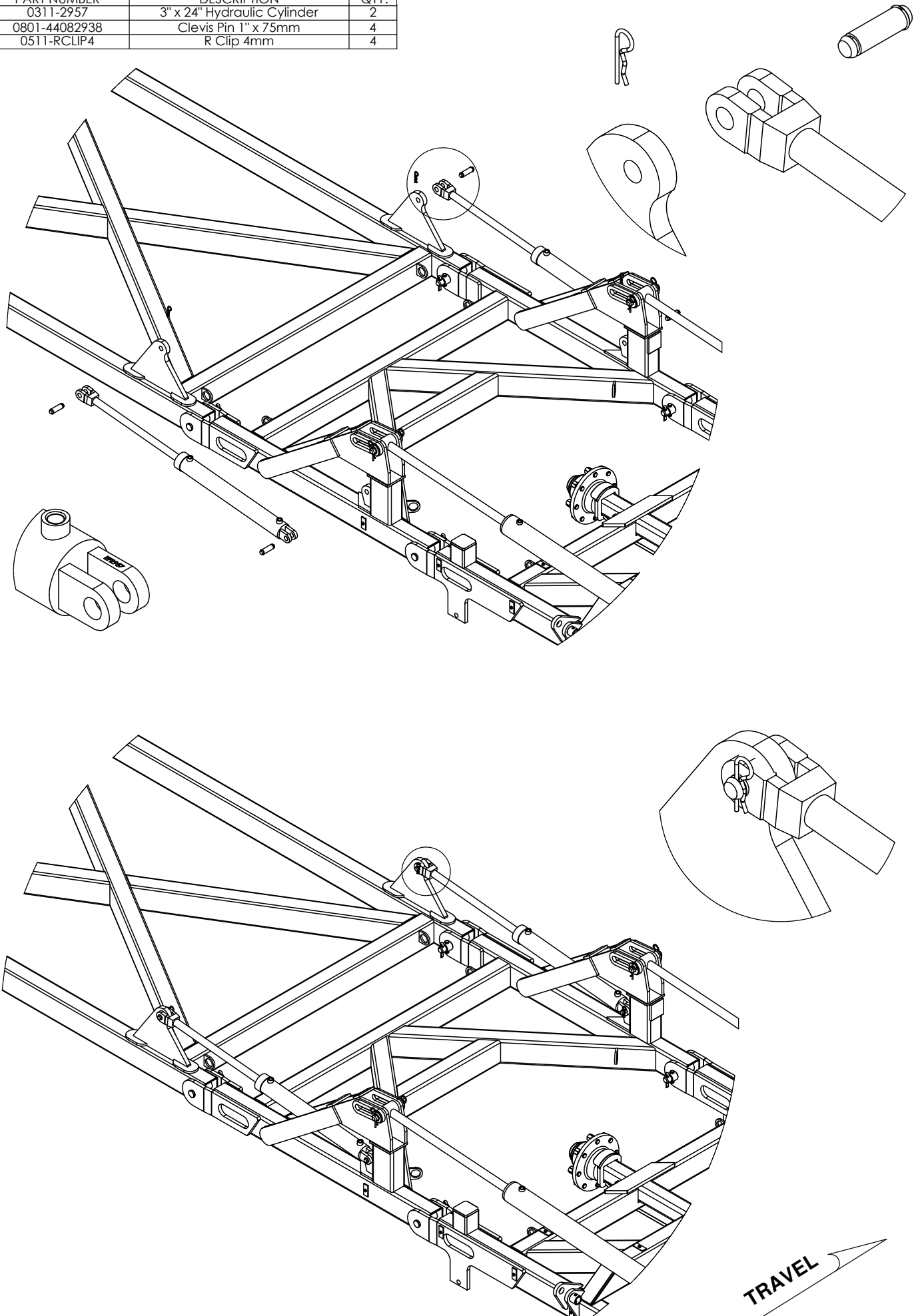


PART NUMBER	DESCRIPTION	QTY.
0311-2957	3" x 24" Hydraulic Cylinder	2
0801-44082938	Clevis Pin 1" x 75mm	4
0511-RCLIP4	R Clip 4mm	4

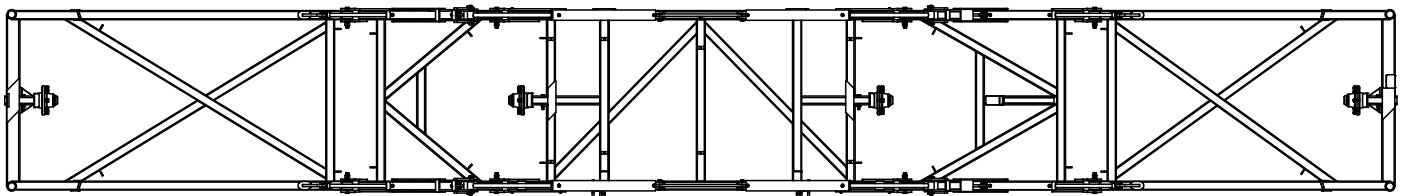
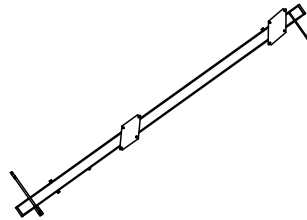
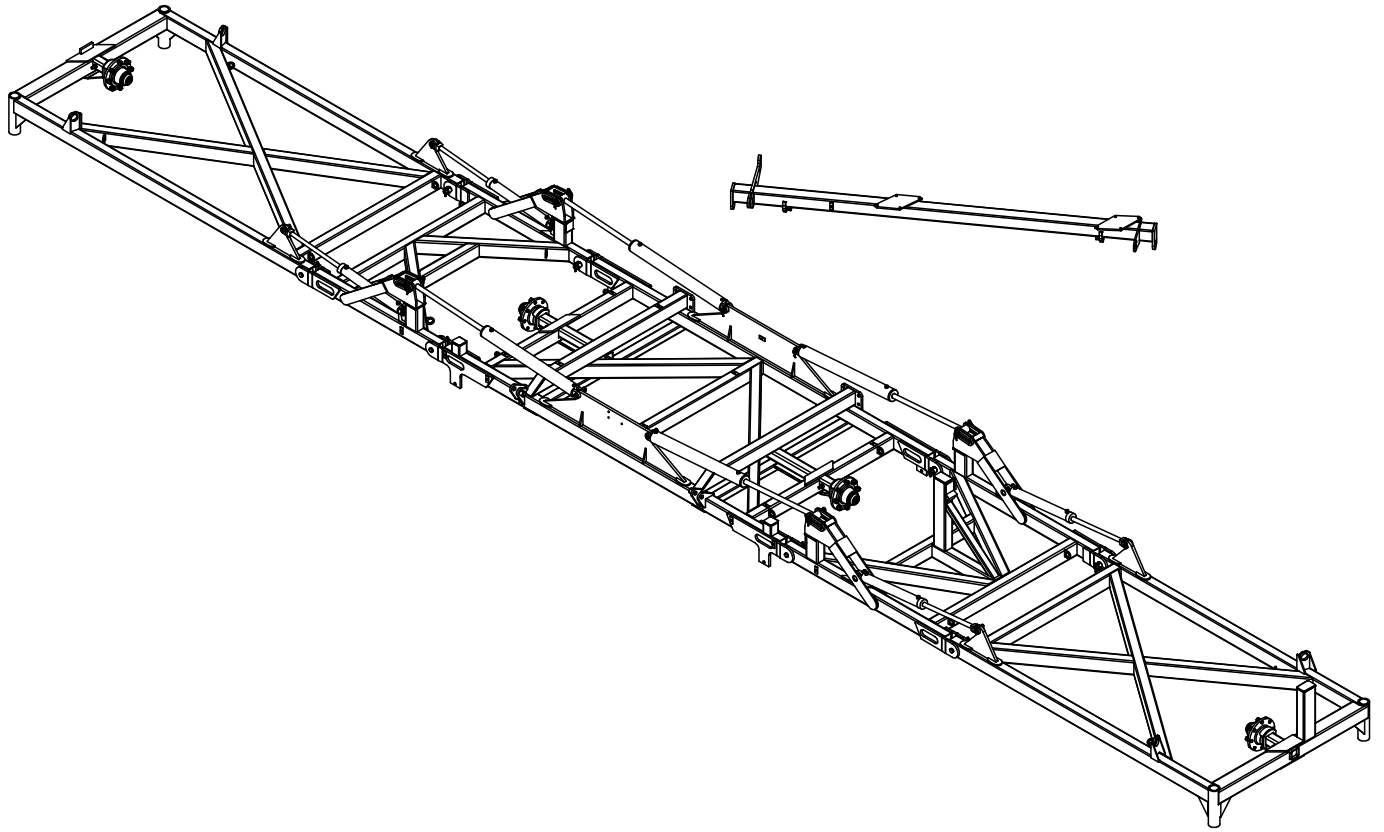


TRAVEL

PART NUMBER	DESCRIPTION	QTY.
0311-2957	3" x 24" Hydraulic Cylinder	2
0801-44082938	Clevis Pin 1" x 75mm	4
0511-RCLIP4	R Clip 4mm	4

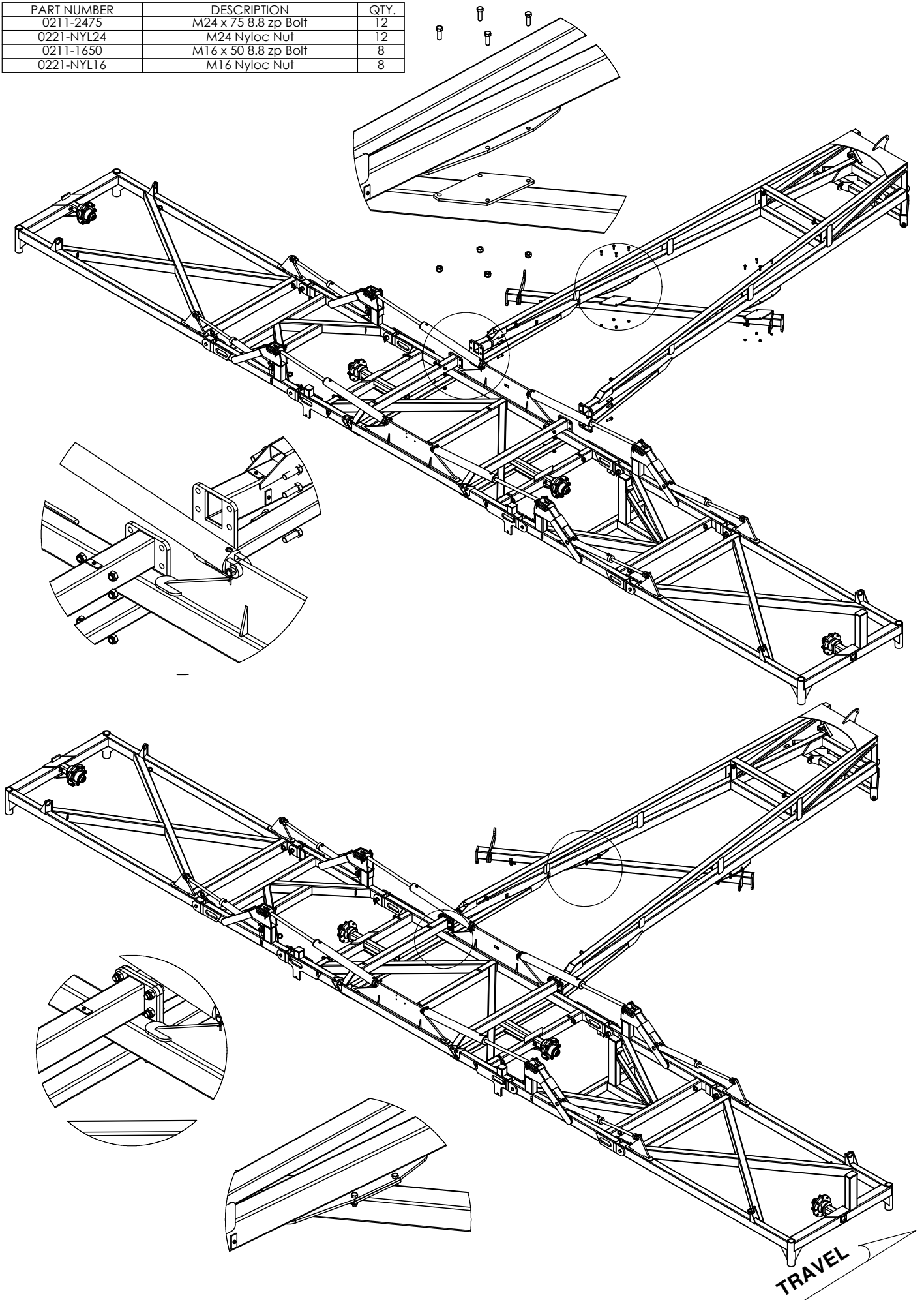


PART NUMBER	DESCRIPTION	QTY.
0850-02	50' Front A-Frame	1
0810-28-60	50 & 60' Front Module	1

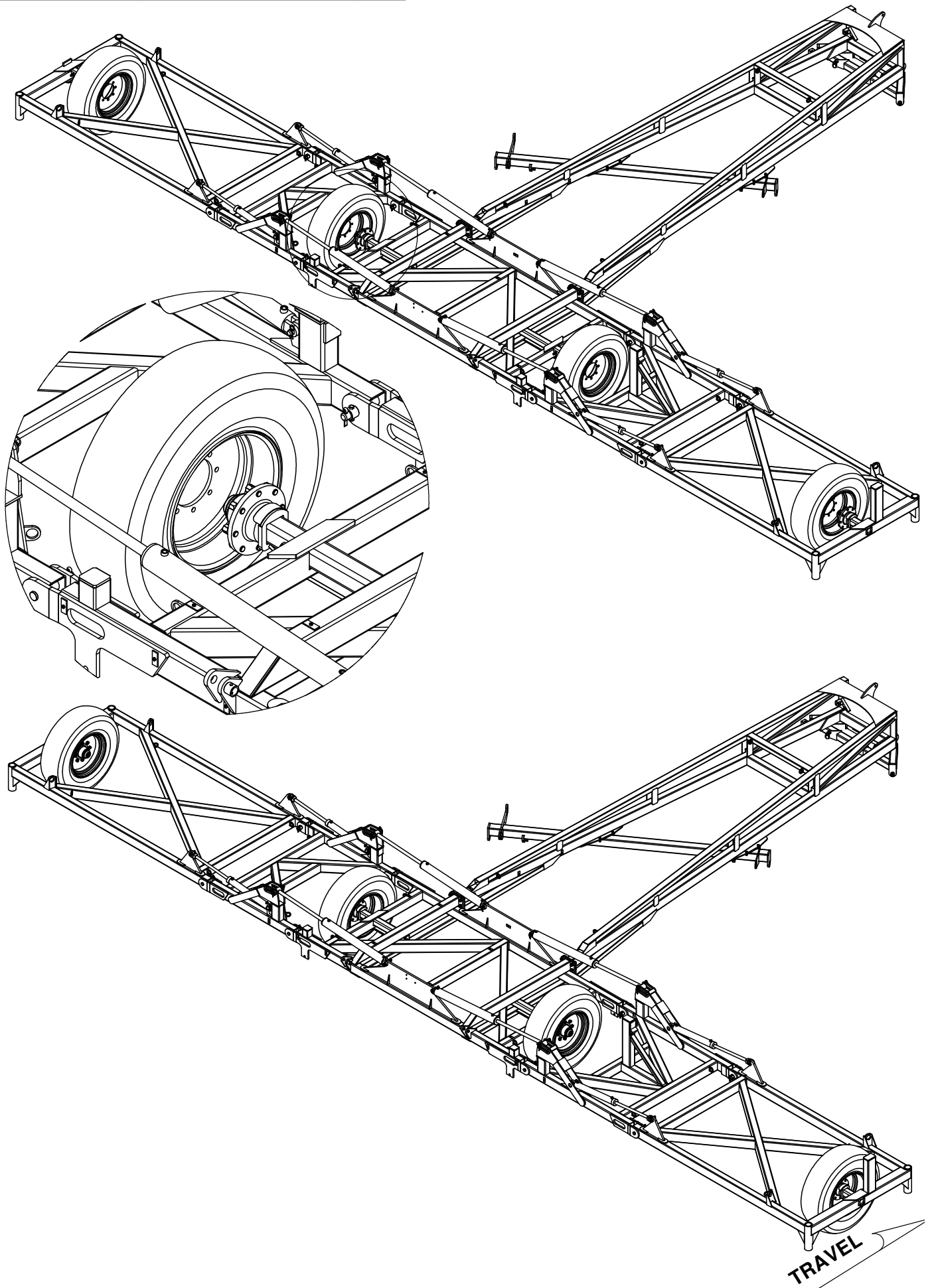


TRAVEL

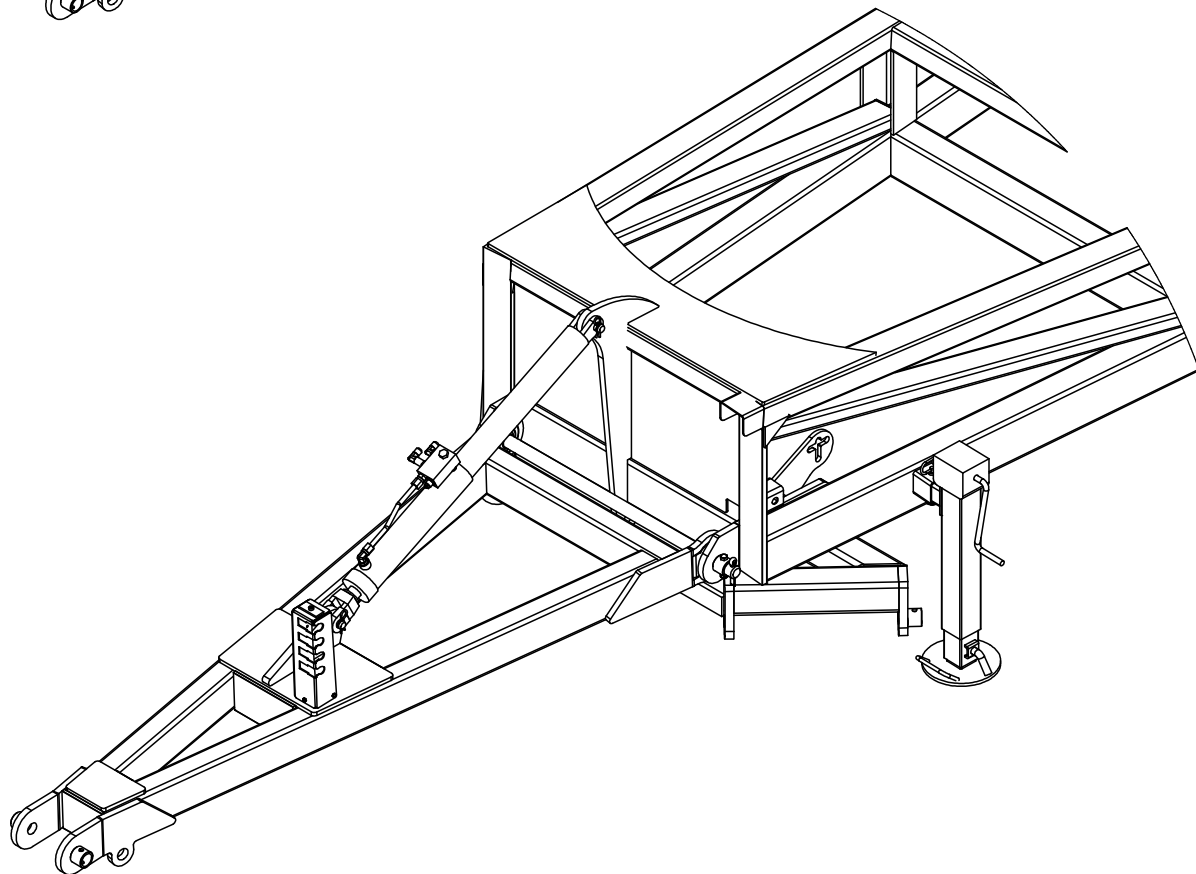
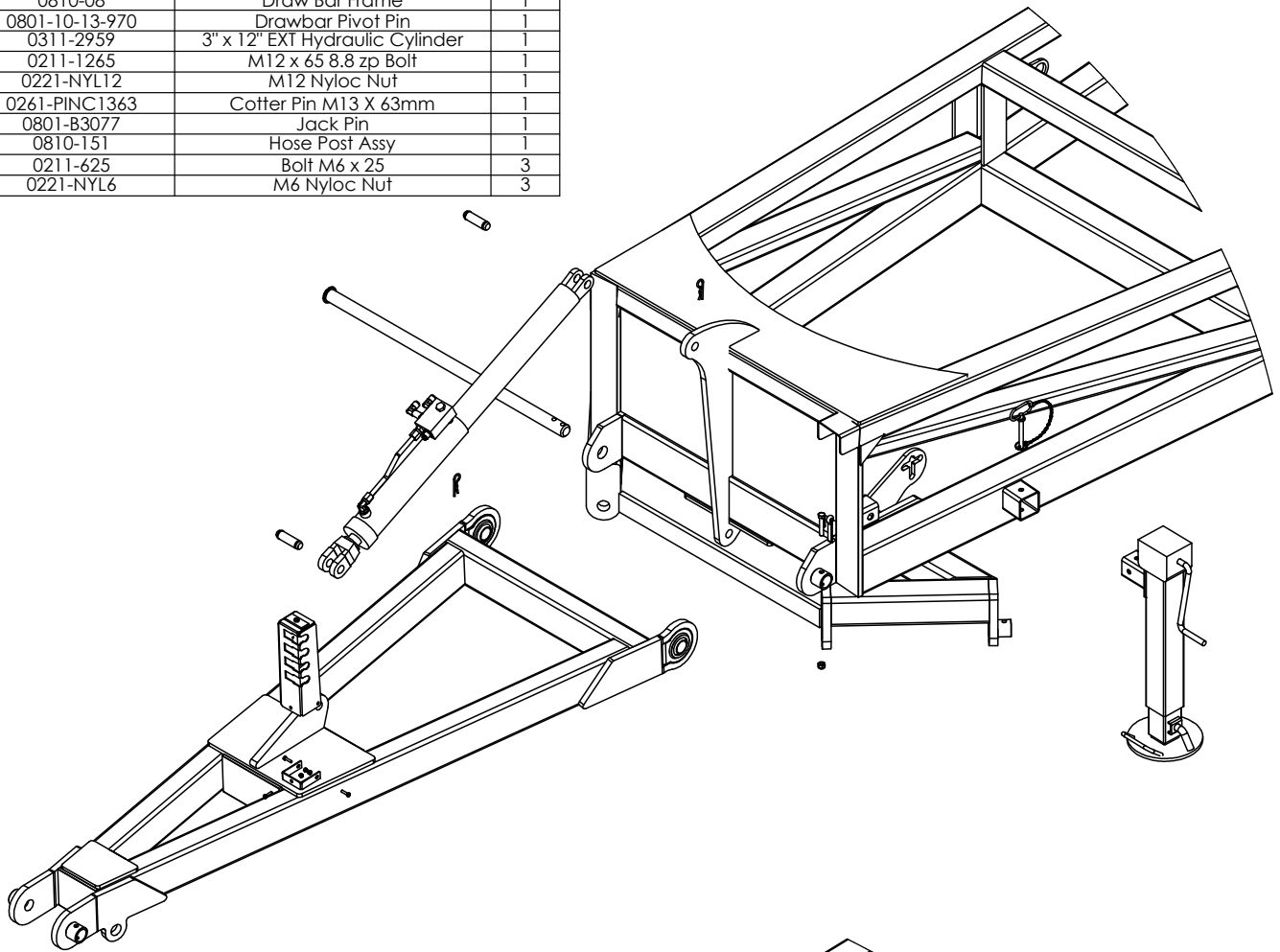
PART NUMBER	DESCRIPTION	QTY.
0211-2475	M24 x 75 8.8 zp Bolt	12
0221-NYL24	M24 Nyloc Nut	12
0211-1650	M16 x 50 8.8 zp Bolt	8
0221-NYL16	M16 Nyloc Nut	8



PART NUMBER	DESCRIPTION	QTY.
0751-15.5-80-24TR	15/80/24 Tyre and Rim	4

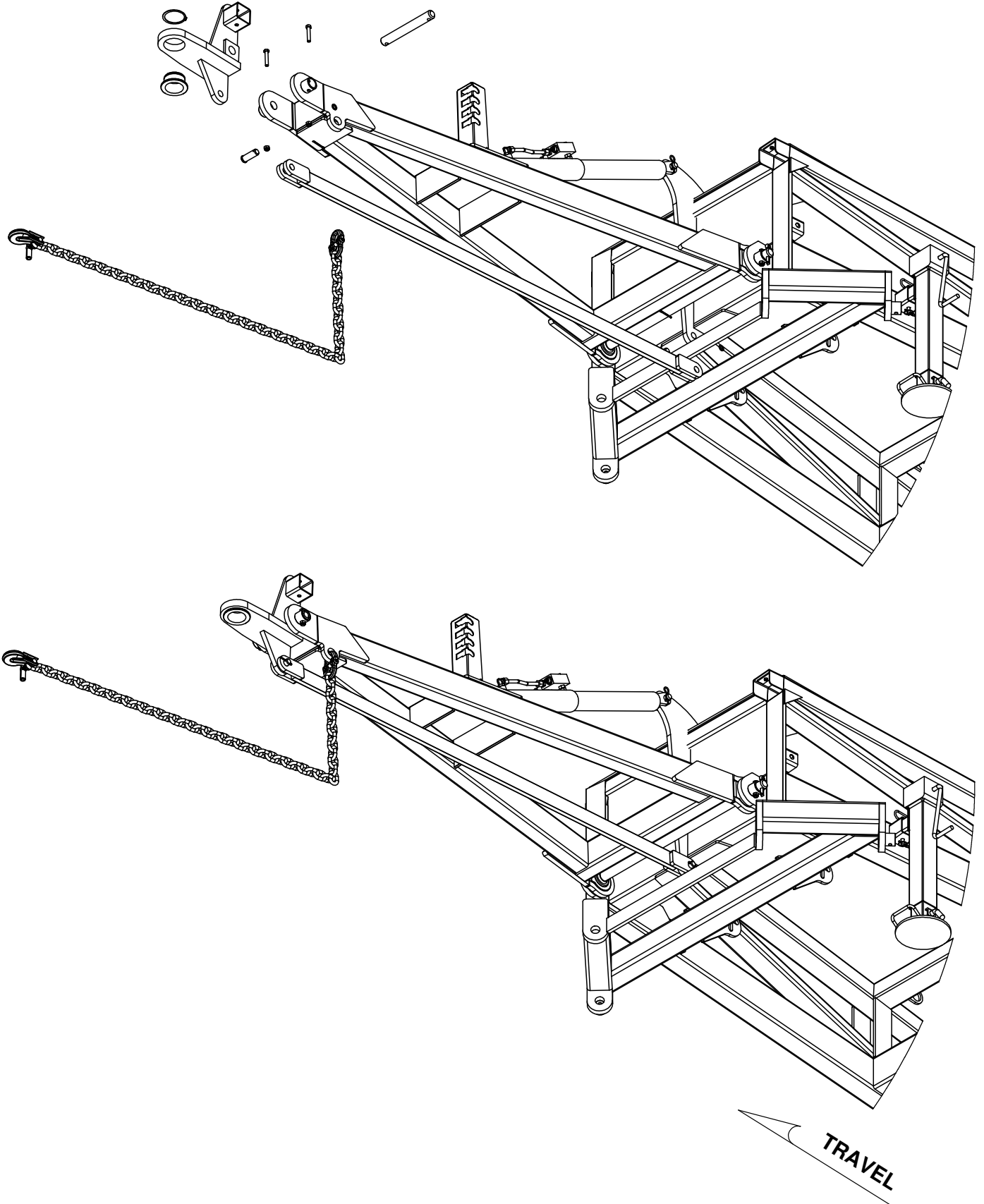


PART NUMBER	DESCRIPTION	QTY.
0801-44082938	Clevis Pin 1" x 75mm	2
0511-RCLIP4	R Clip 4mm	2
0810-31	Jack Assy	1
0810-08	Draw Bar Frame	1
0801-10-13-970	Drawbar Pivot Pin	1
0311-2959	3" x 12" EXT Hydraulic Cylinder	1
0211-1265	M12 x 65 8.8 zp Bolt	1
0221-NYL12	M12 Nyloc Nut	1
0261-PINC1363	Cotter Pin M13 X 63mm	1
0801-B3077	Jack Pin	1
0810-151	Hose Post Assy	1
0211-625	Bolt M6 x 25	3
0221-NYL6	M6 Nyloc Nut	3

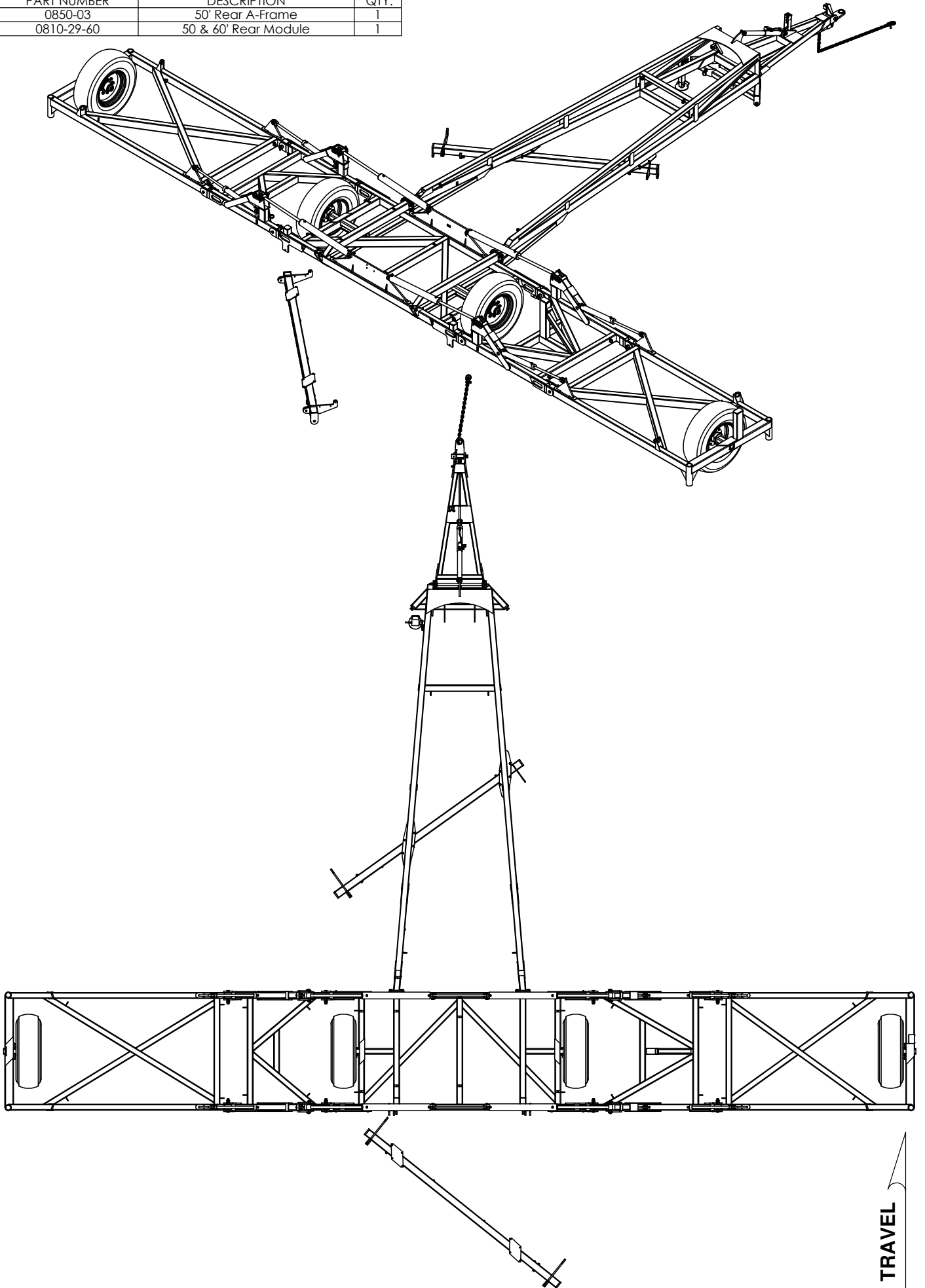


TRAVEL

PART NUMBER	DESCRIPTION	QTY.
0810-09	Tow Hitch	1
0810-22	Parallel Arm	1
0801-KE-0905-1-C	Hardened Tow Hitch Bush 2 1/4"	1
0801-10-06	Tow Hitch Pin	1
0172-D1400-0820	Circlip External 82mm	1
0801-KE-0307-1	Clevis Pin 25mm x 75mm	2
0211-1265	M12 x 65 8.8 zp Bolt	2
0221-NYL12	M12 Nyloc Nut	2
0231-F12	M12 zp Flat Washer	2
0261-PINC550	Cotter Pin M5 x 50	2
0810-16	Safety Chain Assembly	1

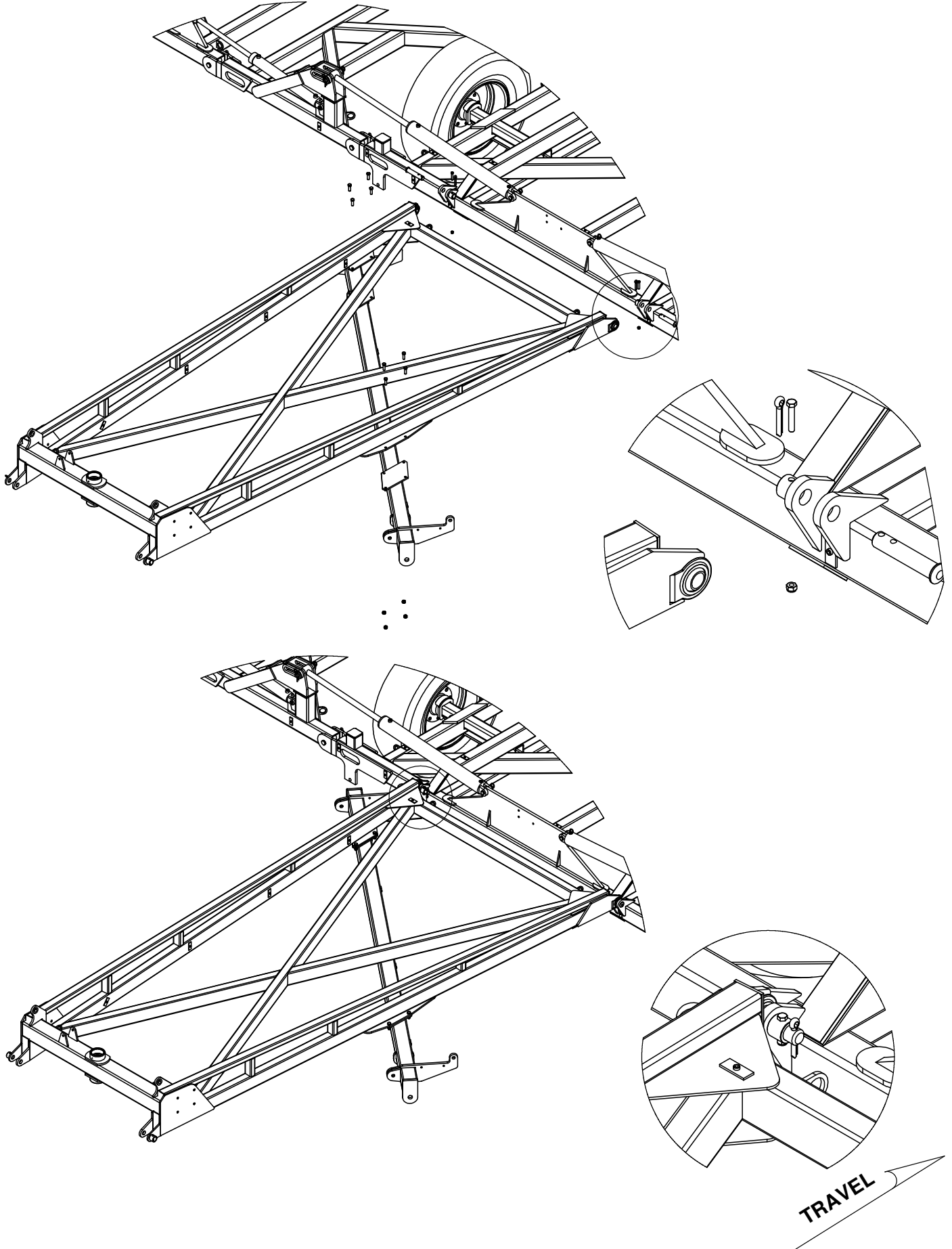


PART NUMBER	DESCRIPTION	QTY.
0850-03	50' Rear A-Frame	1
0810-29-60	50 & 60' Rear Module	1

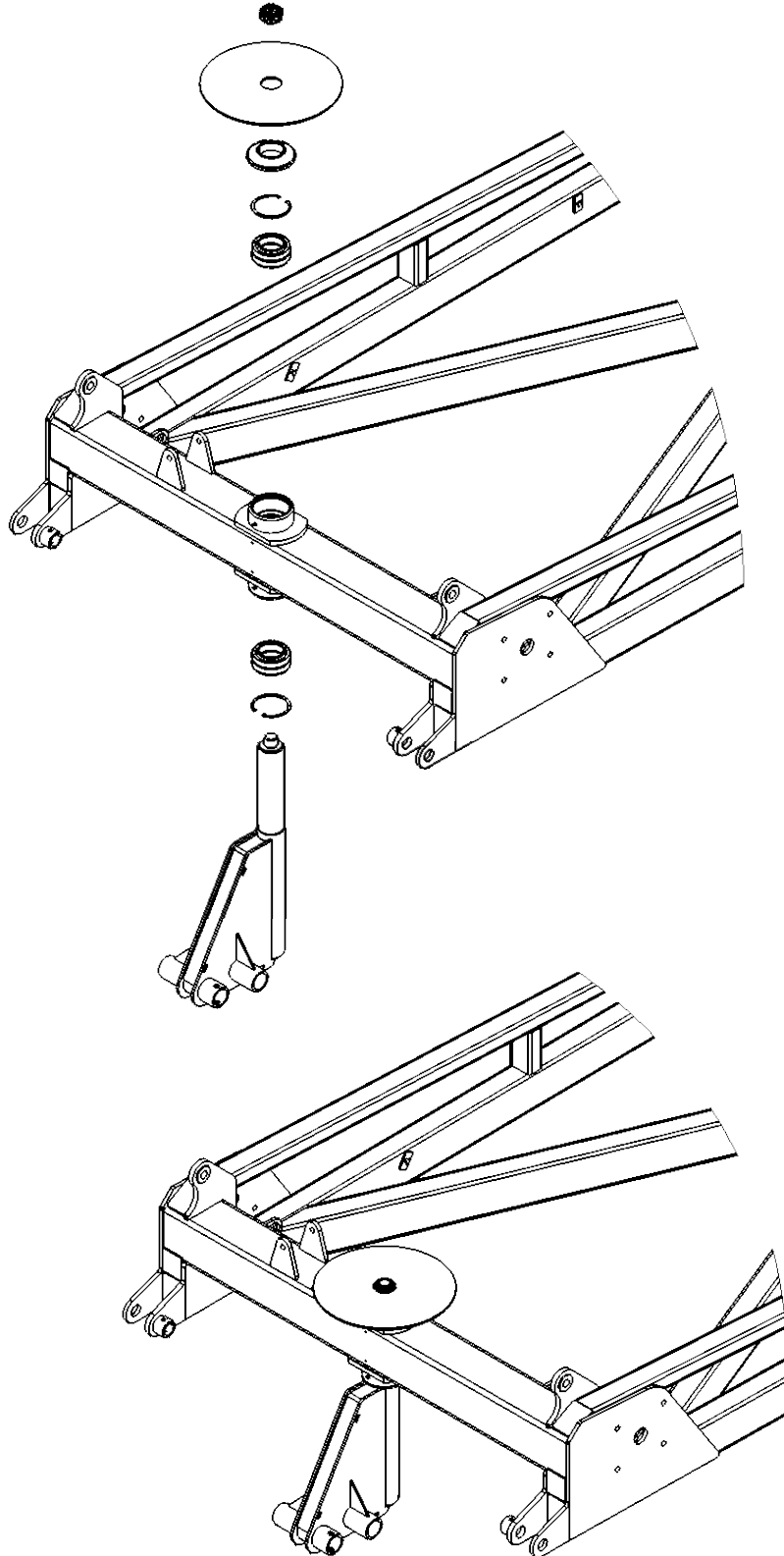


TRAVEL

PART NUMBER	DESCRIPTION	QTY.
0801-10-08-175	Tail Frame Pivot pin	2
0211-1265	M12 x 65 8.8 zp Bolt	2
0221-NYL12	M12 Nyloc Nut	2
0261-PINC1363	Cotter Pin M13 X 63mm	2
0211-1650	M16 x 50 8.8 zp Bolt	8
0221-NYL16	M16 Nyloc Nut	8

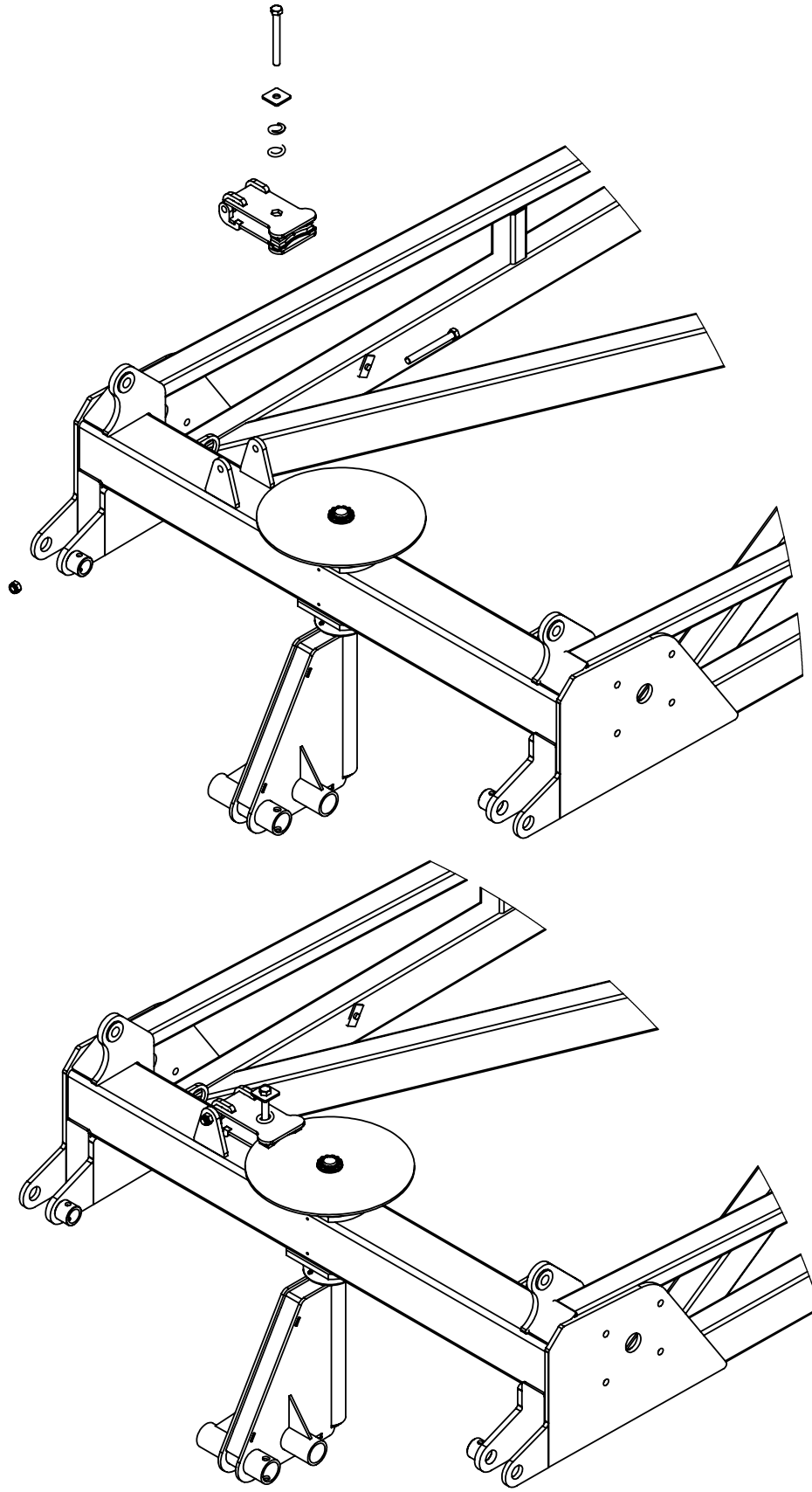


ITEM NO.	PART NUMBER	DESCRIPTION	QTY.
1	0113-GE70DO-2RS	Plain Spherical Bearing 70mm	2
2	0171-J105	Circlip Internal 105mm	2
3	0181-GN1-4	Grease Nipple 1/4" UNF	2
4	0800-02.1	Brake Disc	1
5	0801-KE0705-13	70mm Polymer dust cap	1
6	0801-LOCK01-35	35mm Shaft Lock Clamping Element 01	1
7	0810-11-70	70mm Jockey Wheel	1

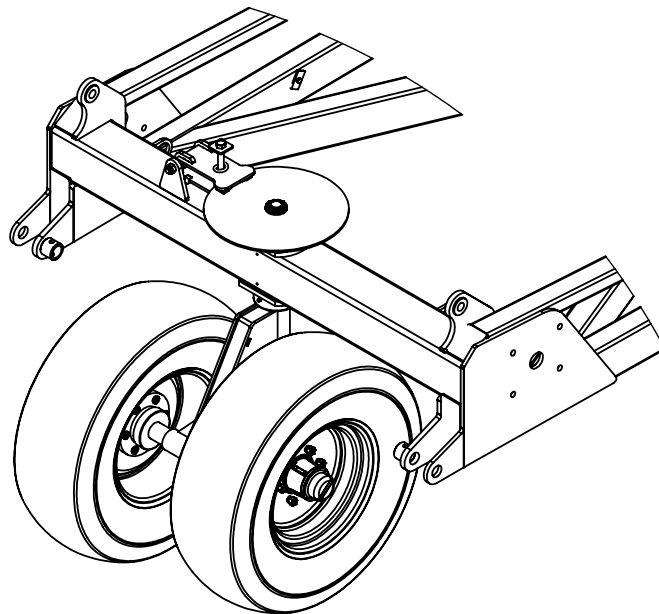
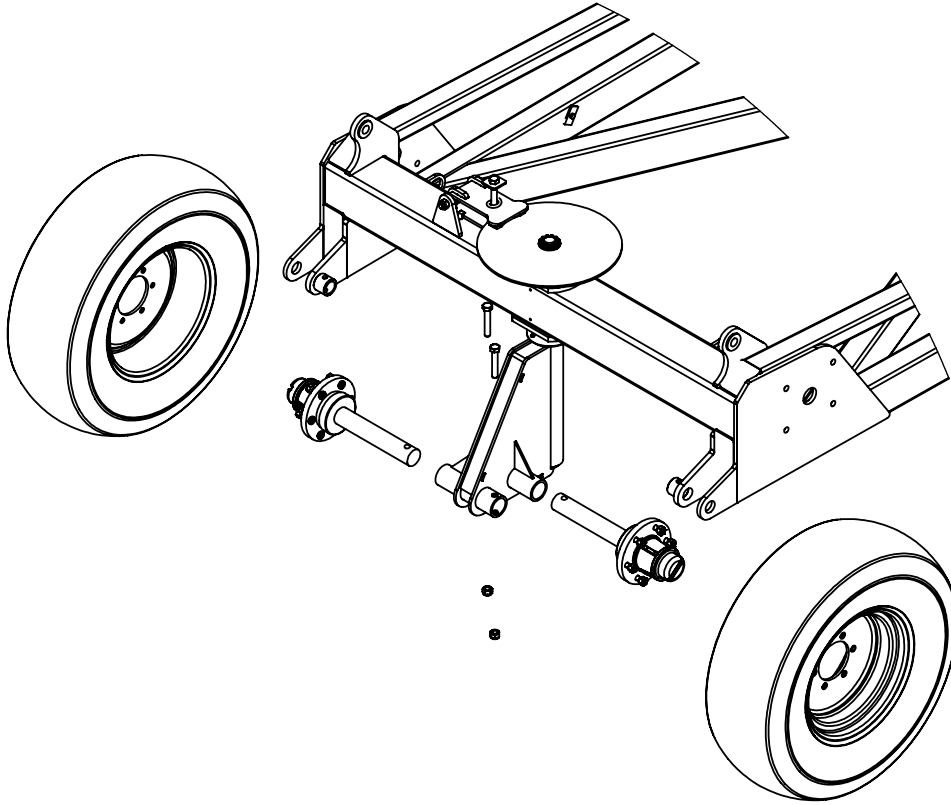


TRAVEL →

ITEM NO.	PART NUMBER	DESCRIPTION	QTY.
1	0211-16150	M16 x 150 grade 8.8 zp Bolt	2
2	0221-NYL16	Nyloc Nut M16	1
3	0231-SQ16505	Washer Square M16 x 50 x 5	1
4	0801-KE009	Brake Compression Spring	1
5	0810-12CAL	Jockey Wheel Brake Caliper	1

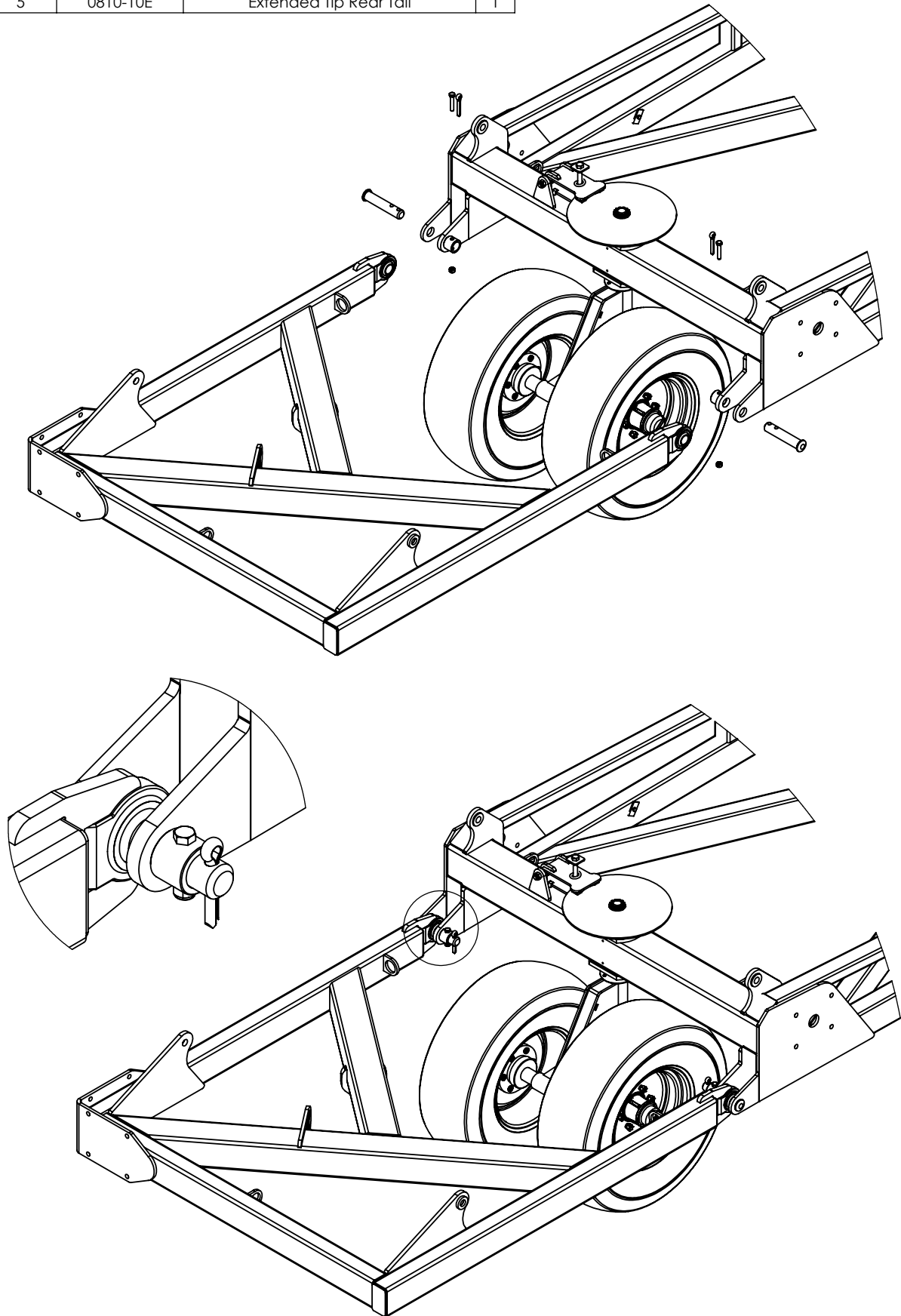


ITEM NO.	PART NUMBER	DESCRIPTION	QTY.
1	0211-1690	M16 x 90 grade 8.8 zp Bolt	2
2	0221-NYL16	Nyloc Nut M16	2
3	0733-K5083T66S	Axle 2"R 3T 6 on 6" PCD 330 OHF	2
4	0751-11L15	11L15 F3 Tyre on 6 on 6" Stud Rim	2



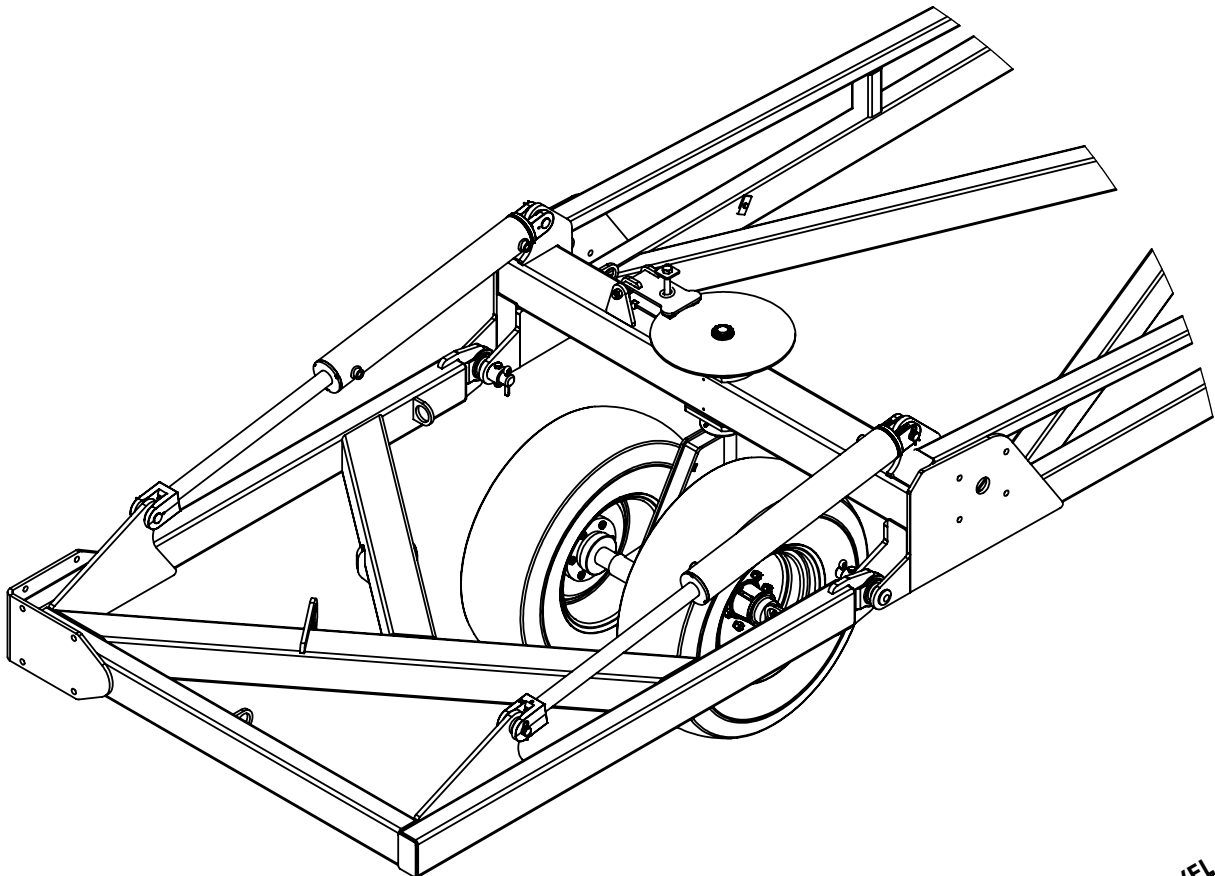
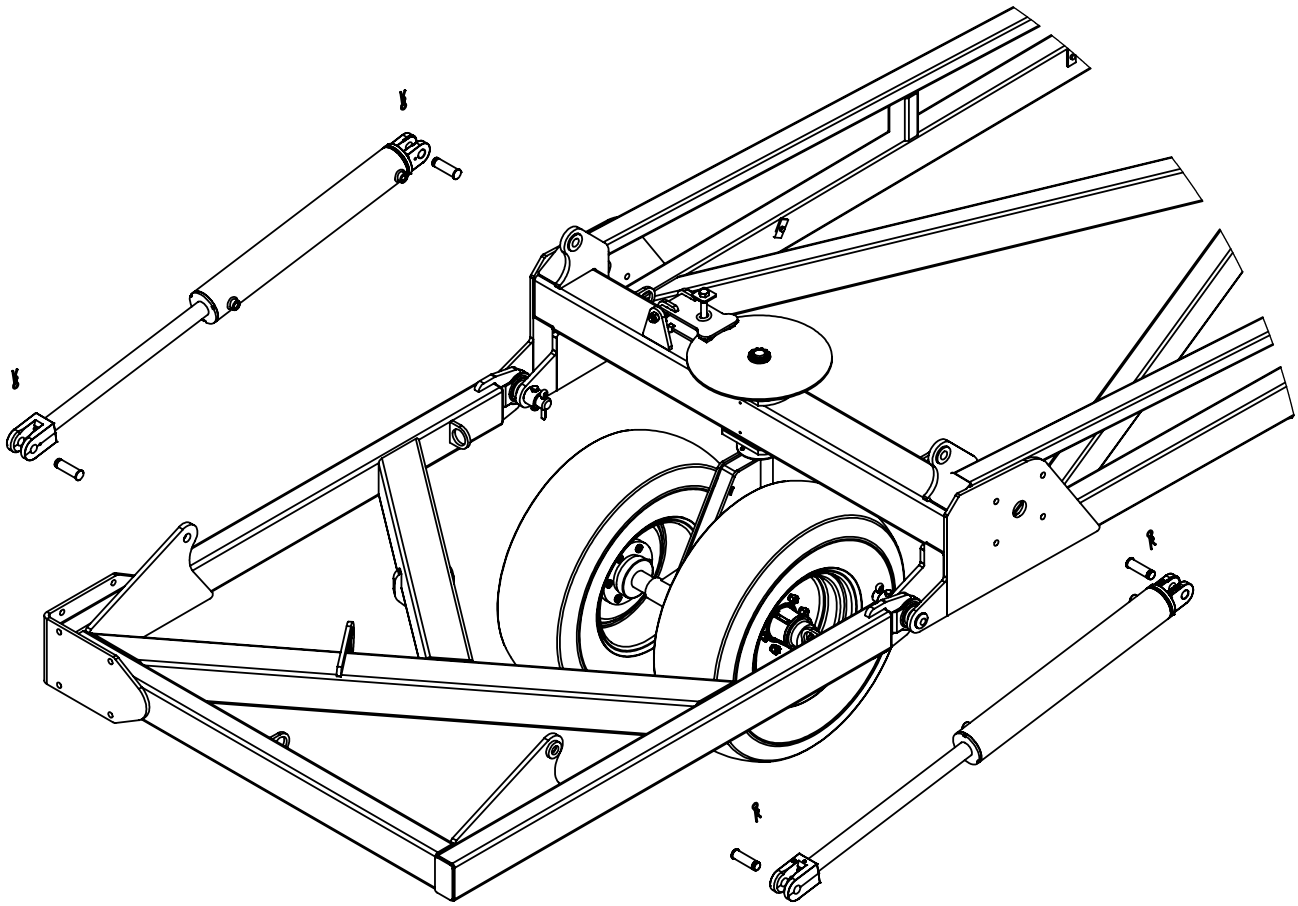
TRAVEL →

ITEM NO.	PART NUMBER	DESCRIPTION	QTY.
1	0211-1265	M12 x 65 grade 8.8 ZP Bolt	2
2	0221-NYL12	Nyloc Nut M12	2
3	0261-PINC1363	Cotter Pin M13 x 63	2
4	0801-10-08-175	Tail Frame Pivot pin	2
5	0810-10E	Extended Tip Rear Tail	1



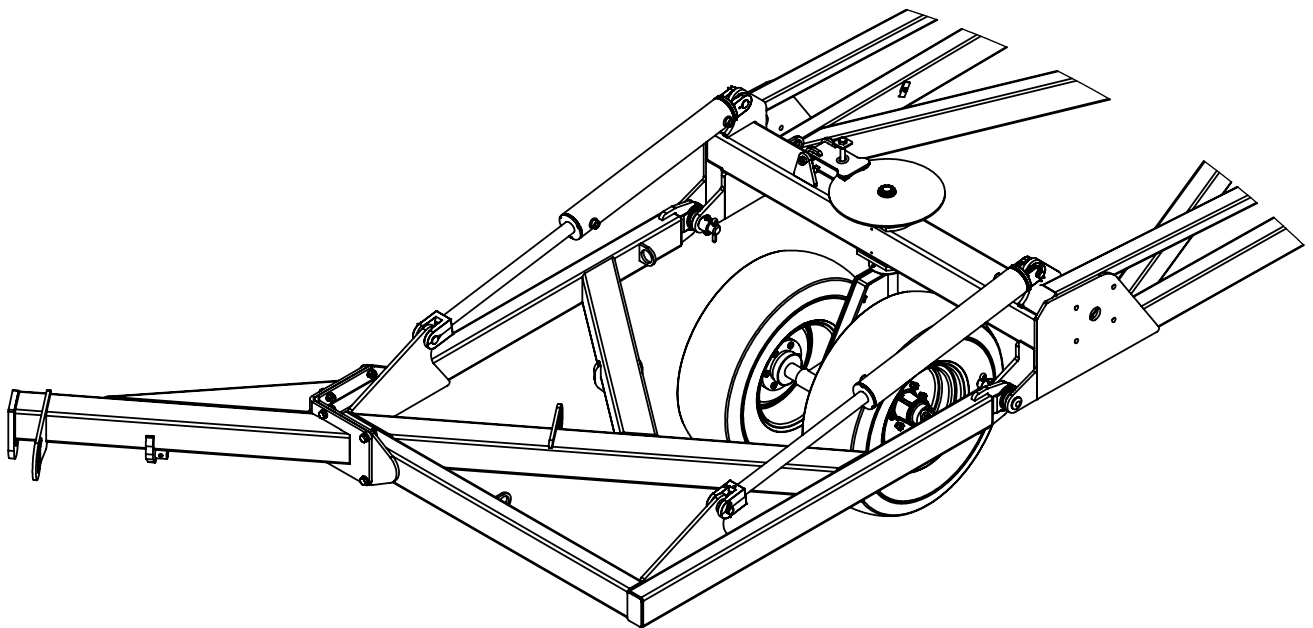
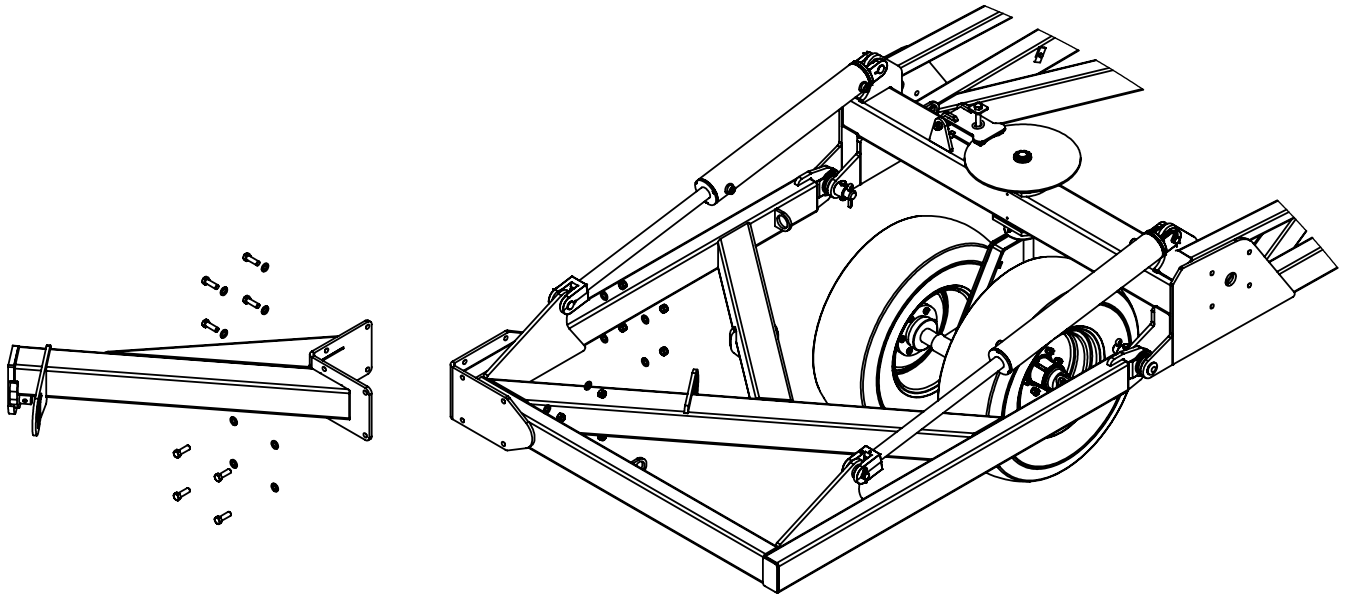
TRAVEL

ITEM NO.	PART NUMBER	DESCRIPTION	QTY.
1	0311-3524SP	3.5" Bore 24" Stroke 1.75" Rod Hydraulic Cylinder	2



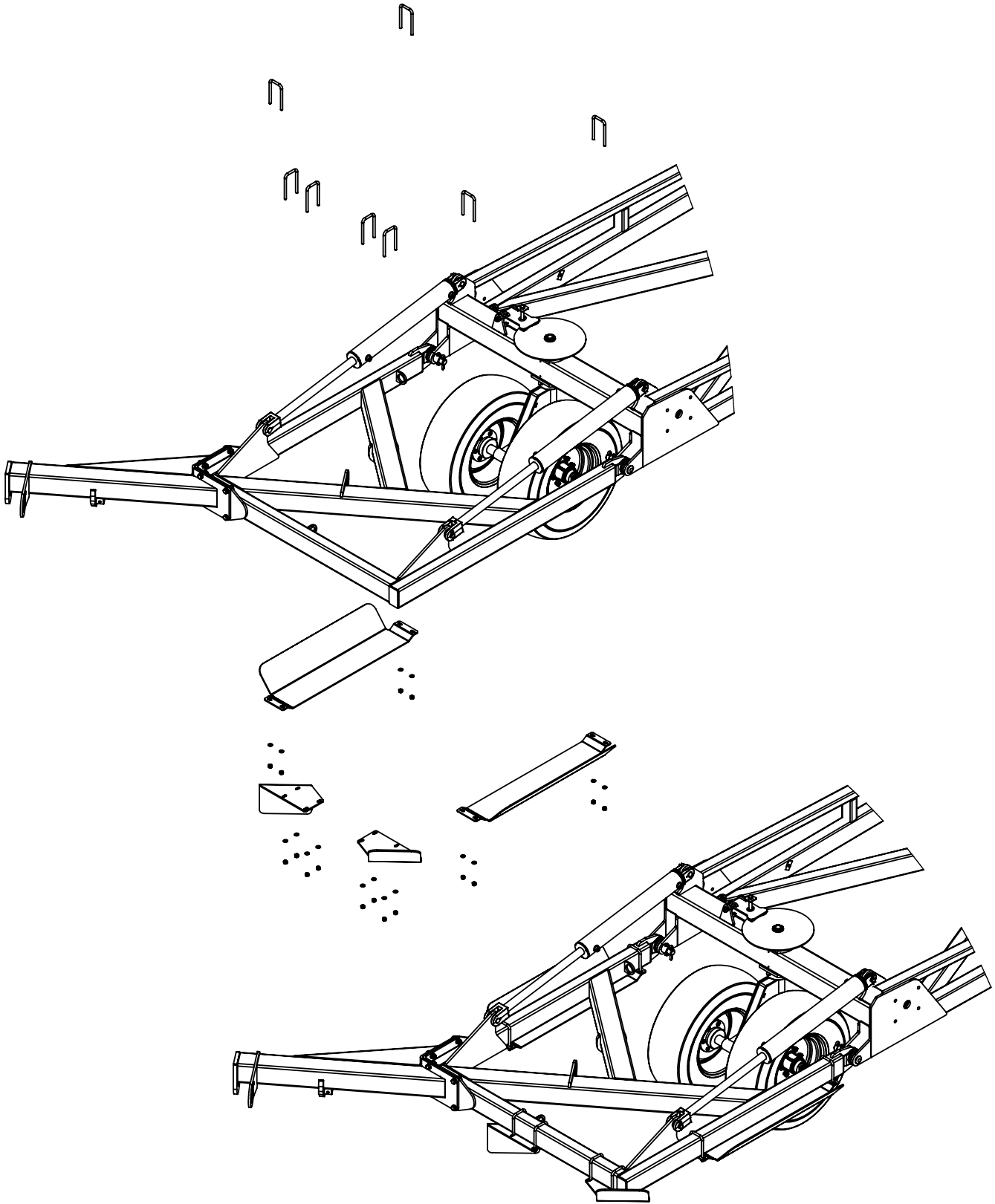
TRAVEL →

ITEM NO.	PART NUMBER	DESCRIPTION	QTY.
1	0211-1650	M16 x 50 grade 8.8 zp Bolt	8
2	0221-NYL16	Nyloc Nut M16	8
3	0231-F16	Washer Flat M16	16
4	0810-10ET	Extended Tip Tail Bolt On Tip	1



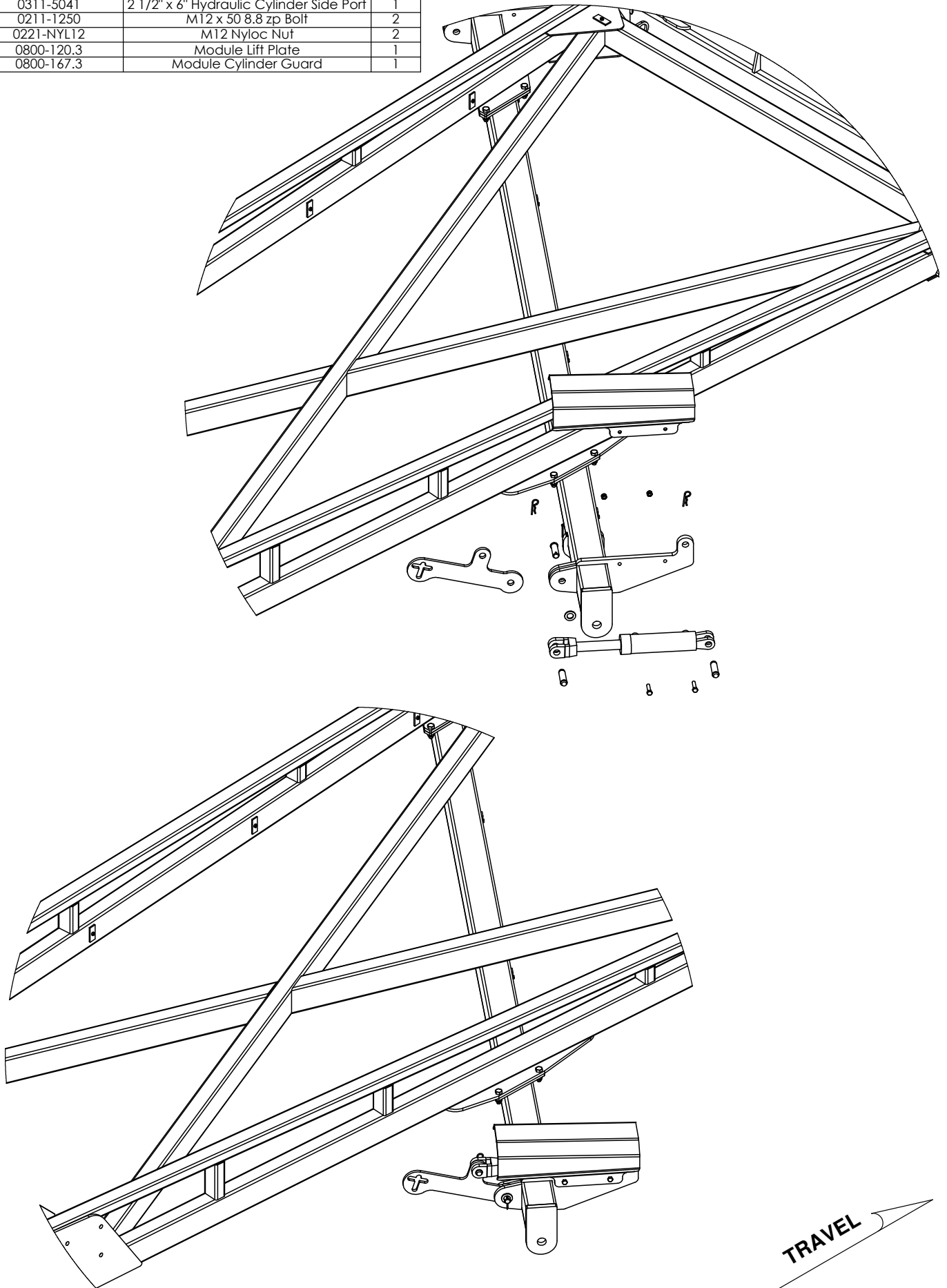
TRAVEL →

ITEM NO.	PART NUMBER	DESCRIPTION	QTY.
1	0221-NYL12	Nyloc Nut M12	16
2	0231-F12	Washer Flat M12	16
3	0271-1215577	U-Bolt M12 x 155 Deep x 77 Wide	8
4	0800-220.1	Tail Chain Stop Guard	1
5	0800-235	Rear Tail Guard	2
6	0800-498	Angled Chain Gaurd	1

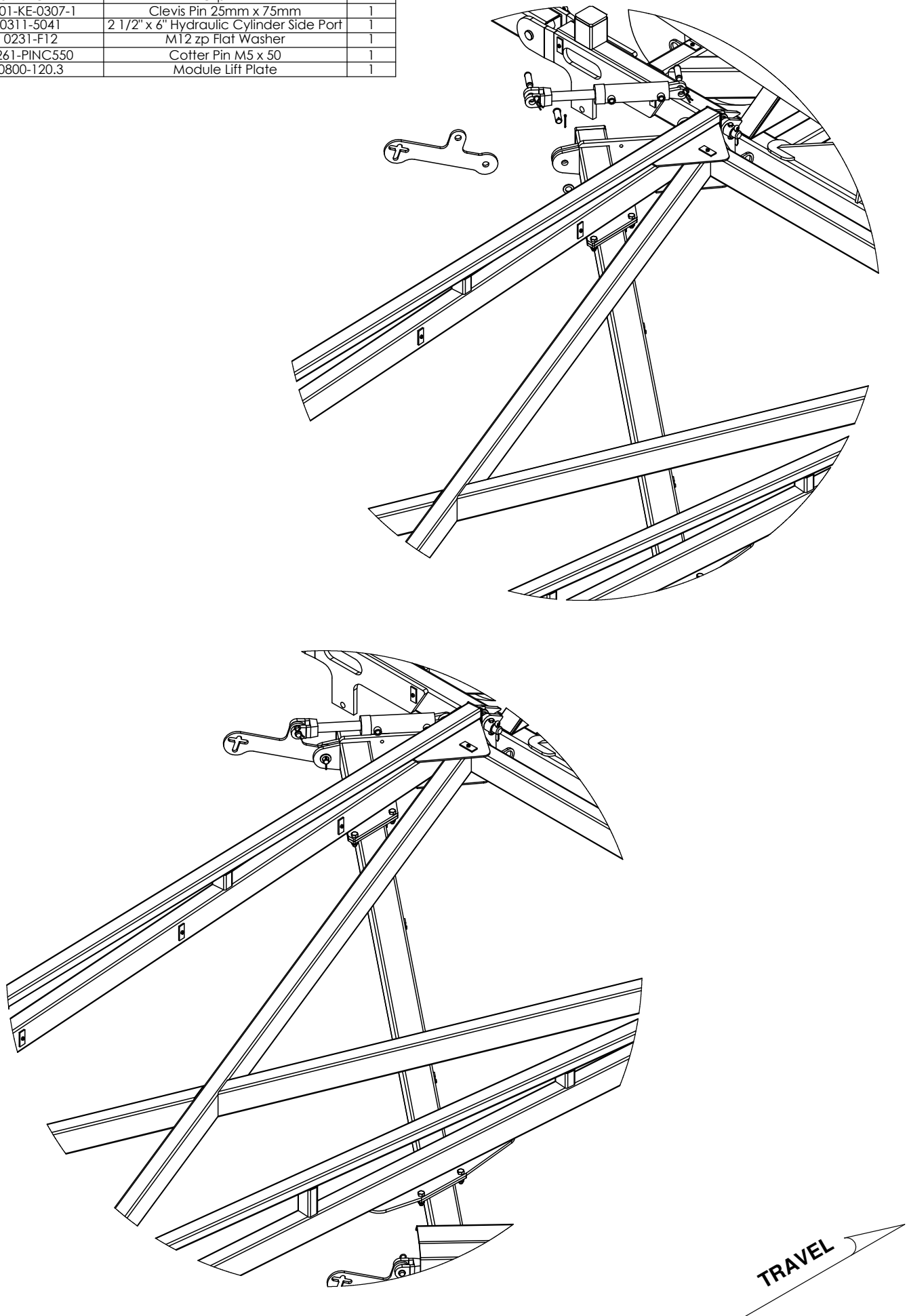


TRAVEL →

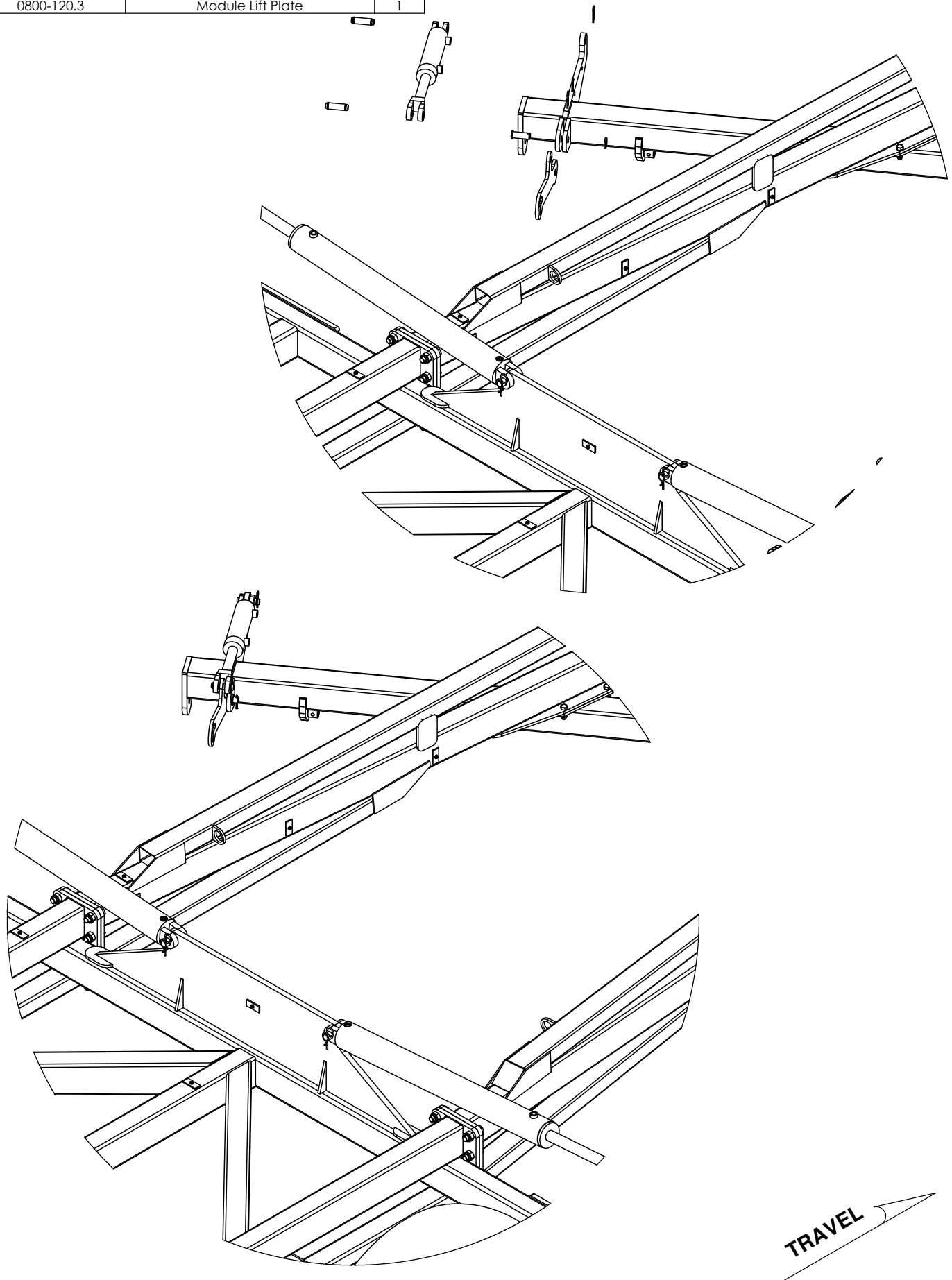
PART NUMBER	DESCRIPTION	QTY.
0801-44082938	Clevis Pin 1" x 75mm	2
0511-RCLIP4	R Clip 4mm	2
0801-KE-0307-1	Clevis Pin 25mm x 75mm	1
0231-F12	M12 zp Flat Washer	1
0261-PINC550	Cotter Pin M5 x 50	1
0311-5041	2 1/2" x 6" Hydraulic Cylinder Side Port	1
0211-1250	M12 x 50 8.8 zp Bolt	2
0221-NYL12	M12 Nyloc Nut	2
0800-120.3	Module Lift Plate	1
0800-167.3	Module Cylinder Guard	1



PART NUMBER	DESCRIPTION	QTY.
0801-44082938	Clevis Pin 1" x 75mm	2
0511-RCLIP4	R Clip 4mm	2
0801-KE-0307-1	Clevis Pin 25mm x 75mm	1
0311-5041	2 1/2" x 6" Hydraulic Cylinder Side Port	1
0231-F12	M12 zp Flat Washer	1
0261-PINC550	Cotter Pin M5 x 50	1
0800-120.3	Module Lift Plate	1

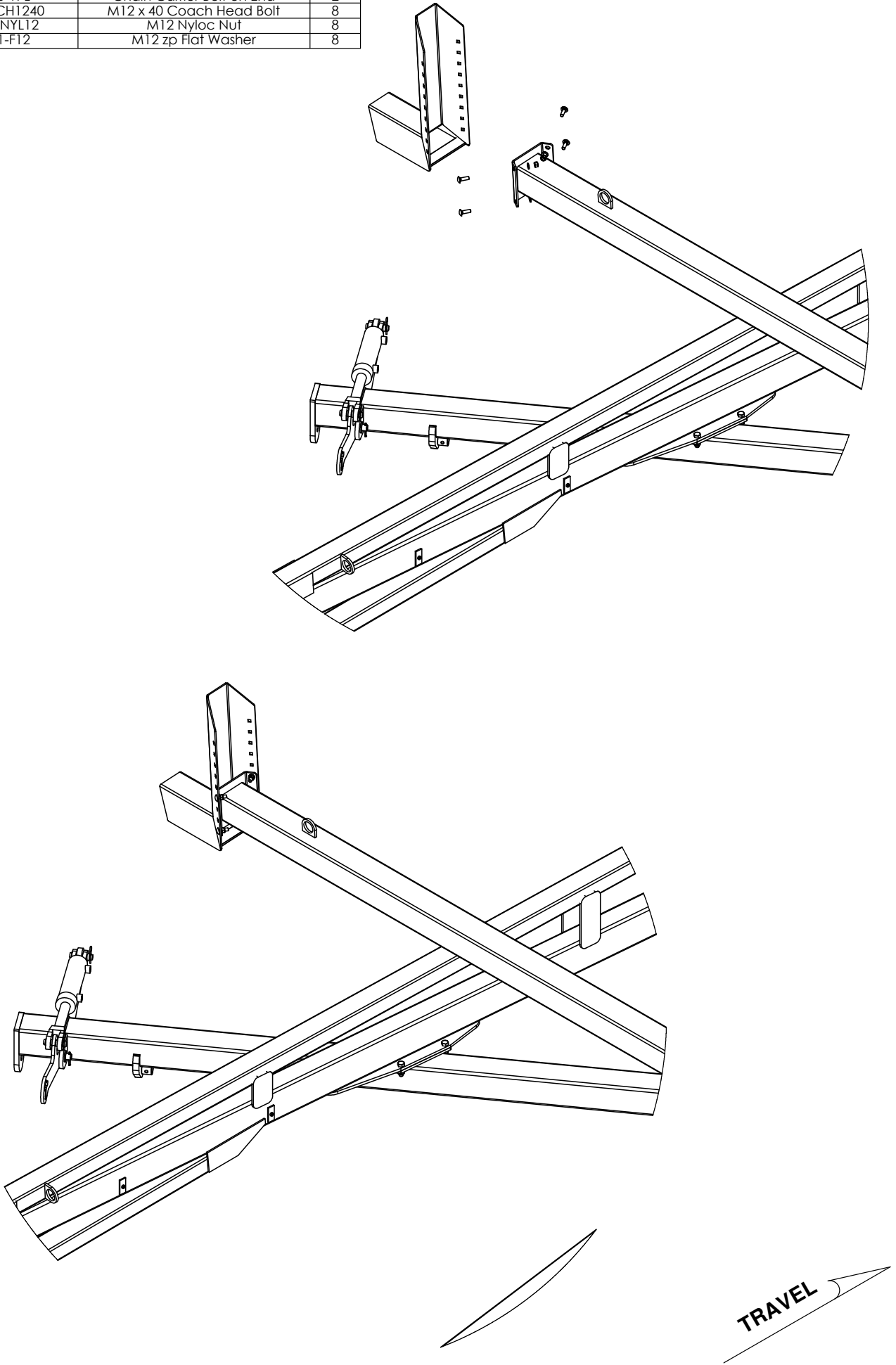


PART NUMBER	DESCRIPTION	QTY.
0801-44082938	Clevis Pin 1" x 75mm	2
0511-RCLIP4	R Clip 4mm	2
0801-KE-0307-1	Clevis Pin 25mm x 75mm	1
0311-5041	2 1/2" x 6" Hydraulic Cylinder Side Port	1
0231-F12	M12 zp Flat Washer	1
0261-PINC550	Cotter Pin M5 x 50	1
0800-120.3	Module Lift Plate	1

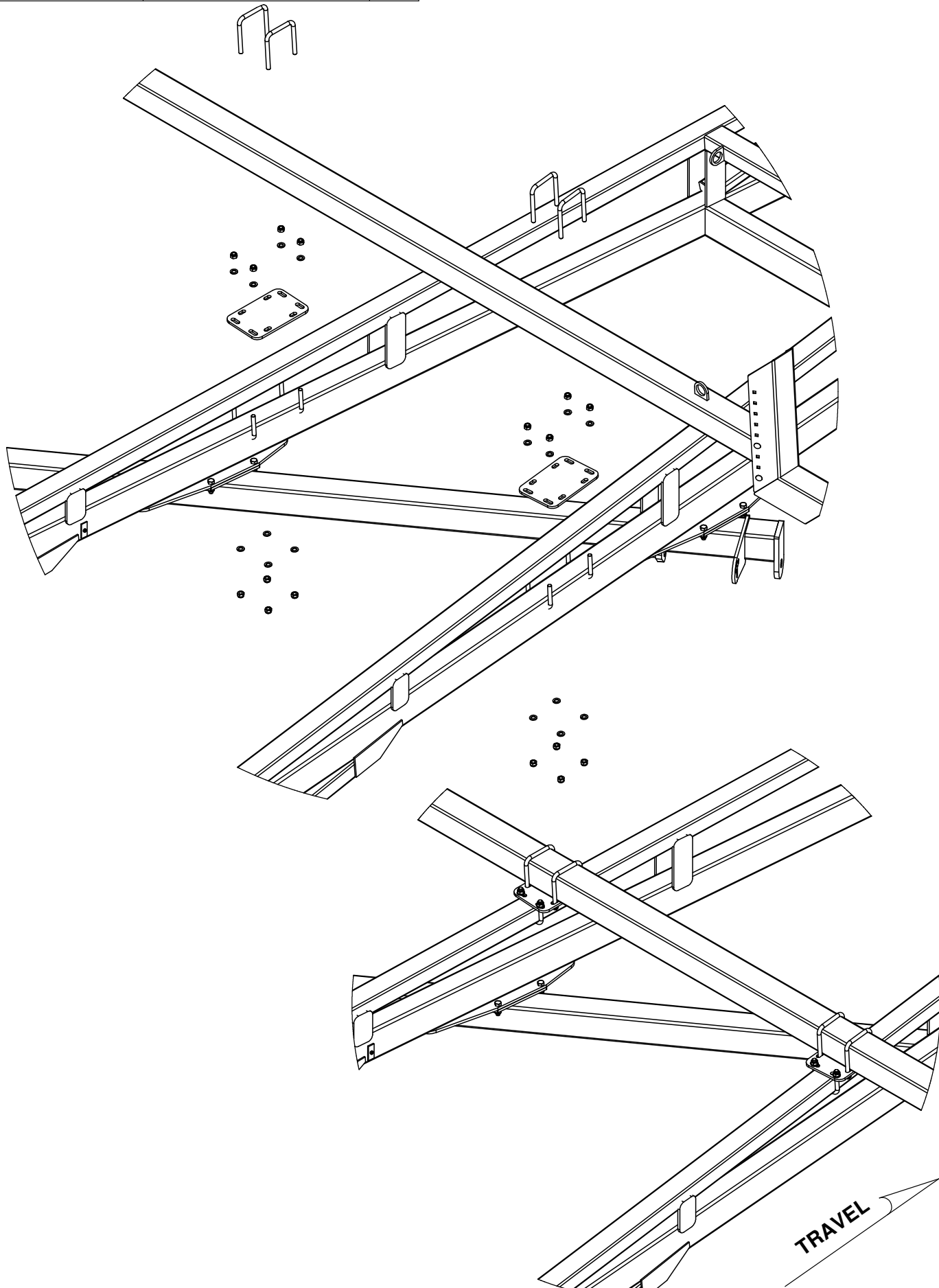


TRAVEL

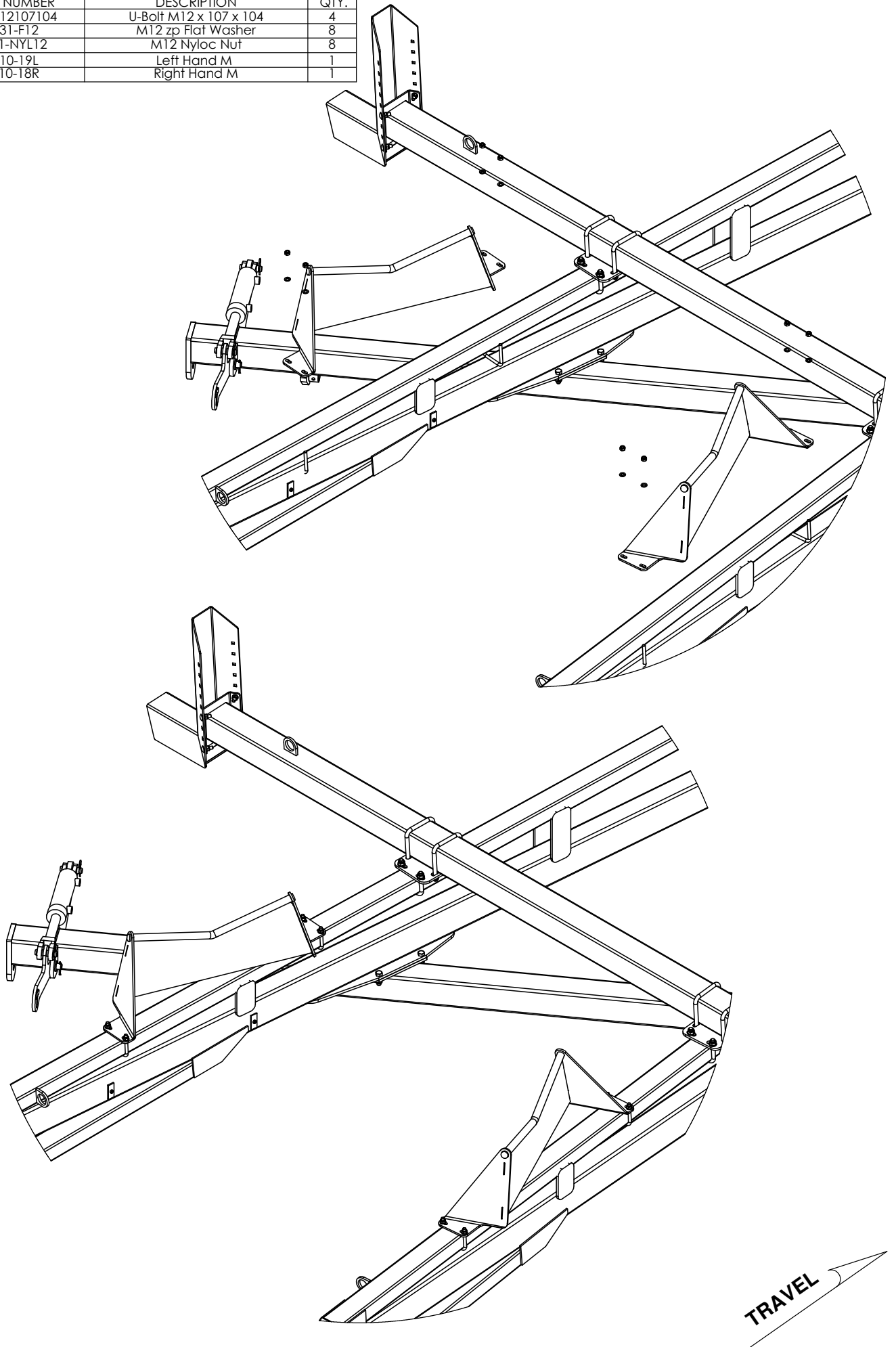
PART NUMBER	DESCRIPTION	QTY.
0810-17-50&60	50/60' Chain Carrier Beam	1
0810-17L	Chain Carrier Bolt on End	2
0215-CH1240	M12 x 40 Coach Head Bolt	8
0221-NYL12	M12 Nyloc Nut	8
0231-F12	M12 zp Flat Washer	8



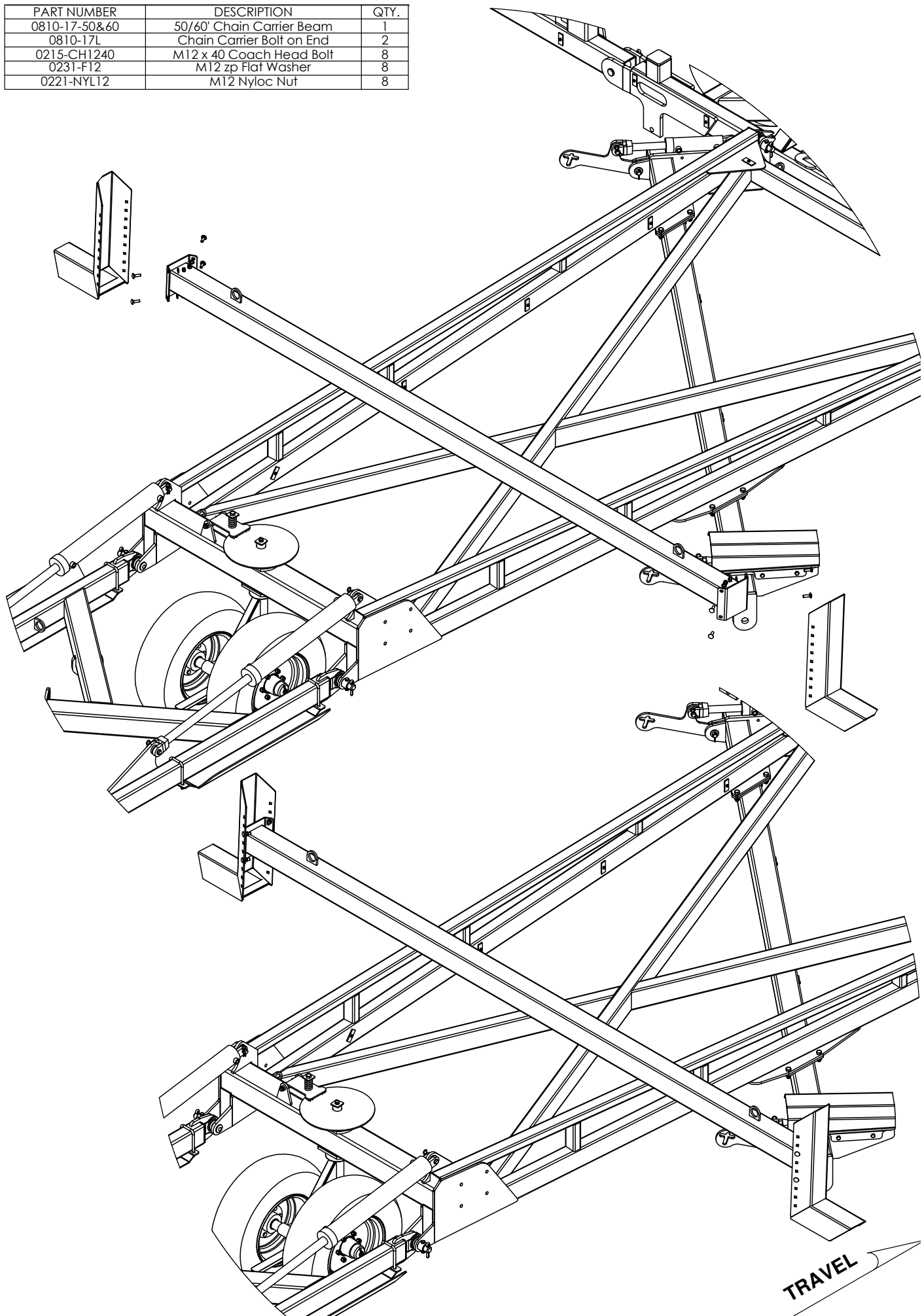
PART NUMBER	DESCRIPTION	QTY.
0800-139.1	Chain Carrier Mount Plate	2
0271-16112104	U-Bolt M16 x 112 x 104	4
0271-16160127	U-Bolt M16 x 160 x 127	4
0231-F12	M12 zp Flat Washer	16
0221-NYL16	M16 Nyloc Nut	16



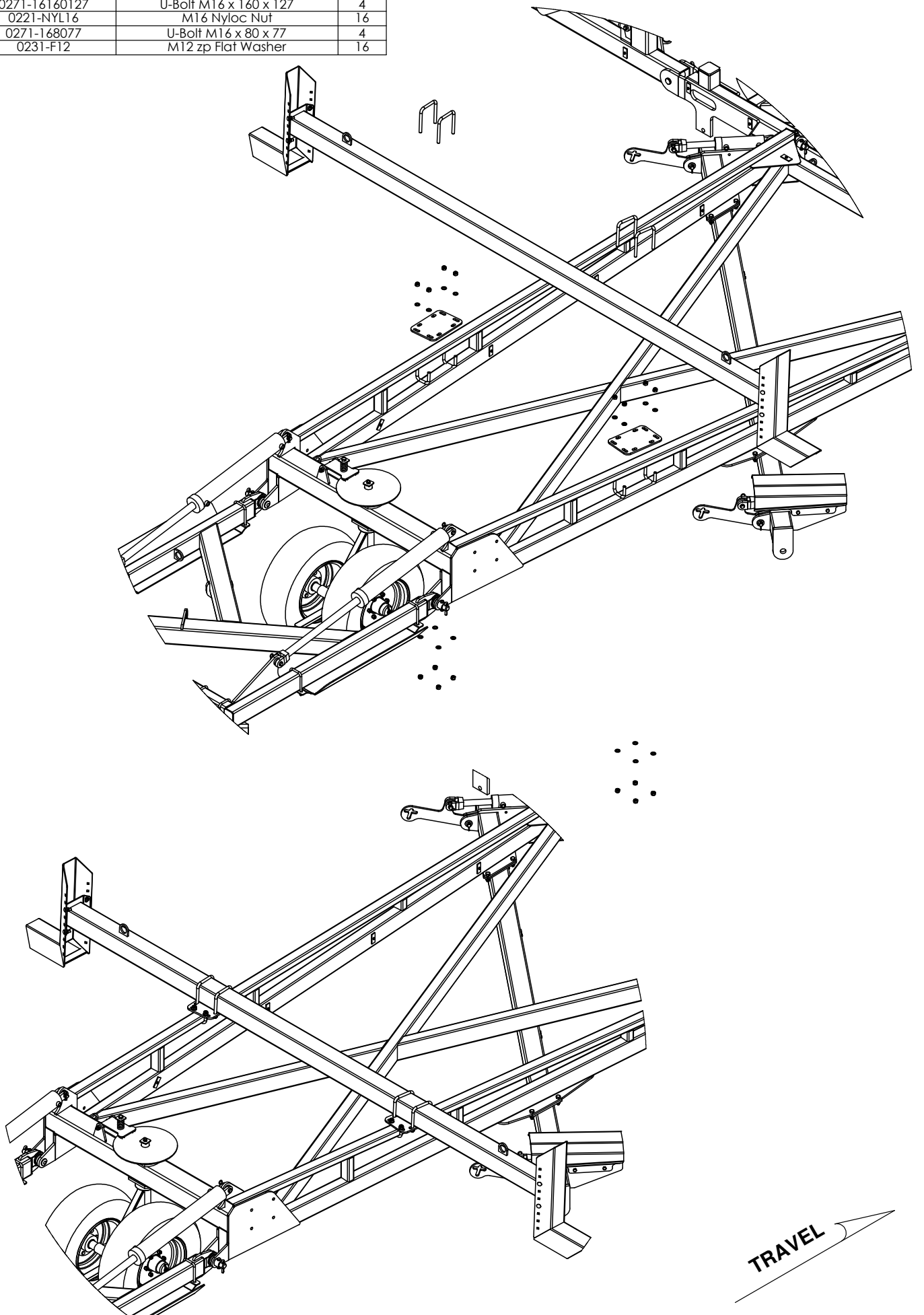
PART NUMBER	DESCRIPTION	QTY.
0271-12107104	U-Bolt M12 x 107 x 104	4
0231-F12	M12 zp Flat Washer	8
0221-NYL12	M12 Nyloc Nut	8
0810-19L	Left Hand M	1
0810-18R	Right Hand M	1



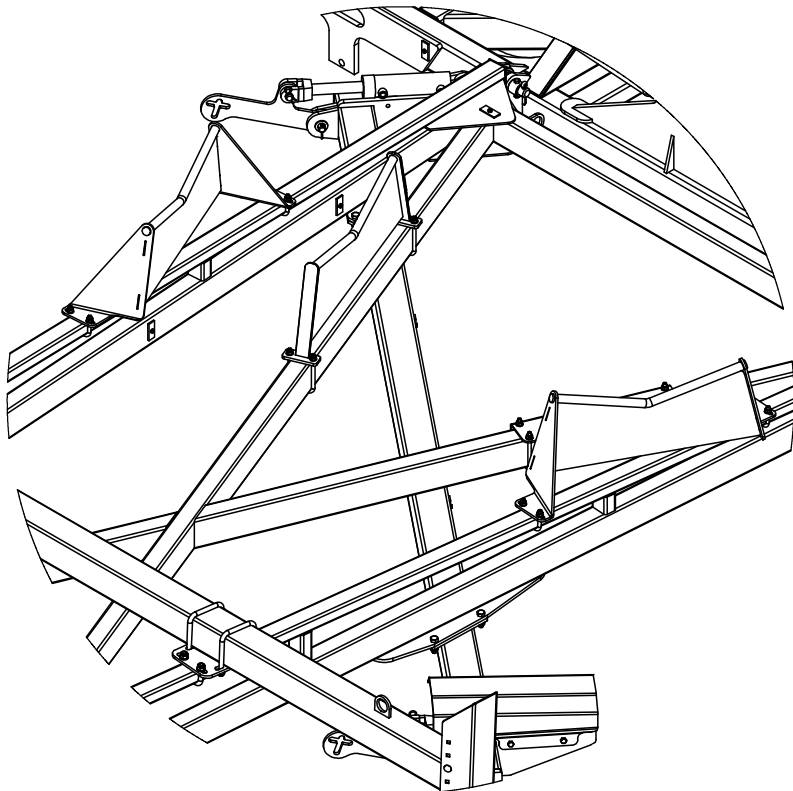
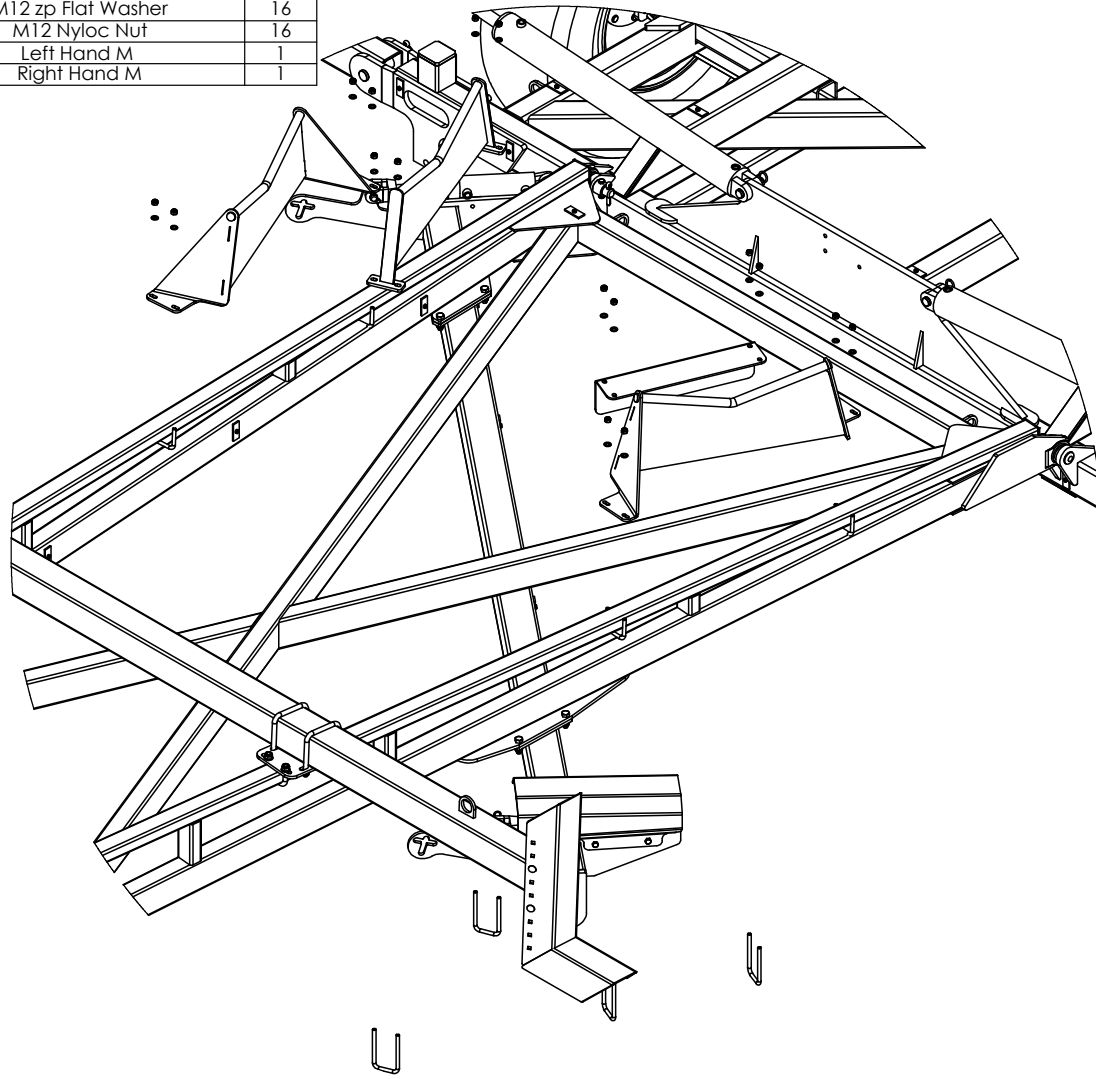
PART NUMBER	DESCRIPTION	QTY.
0810-17-50&60	50/60' Chain Carrier Beam	1
0810-17L	Chain Carrier Bolt on End	2
0215-CH1240	M12 x 40 Coach Head Bolt	8
0231-F12	M12 zp Flat Washer	8
0221-NYL12	M12 Nyloc Nut	8



PART NUMBER	DESCRIPTION	QTY.
0800-139.1	Chain Carrier Mount Plate	2
0271-16160127	U-Bolt M16 x 160 x 127	4
0221-NYL16	M16 Nyloc Nut	16
0271-168077	U-Bolt M16 x 80 x 77	4
0231-F12	M12 zp Flat Washer	16

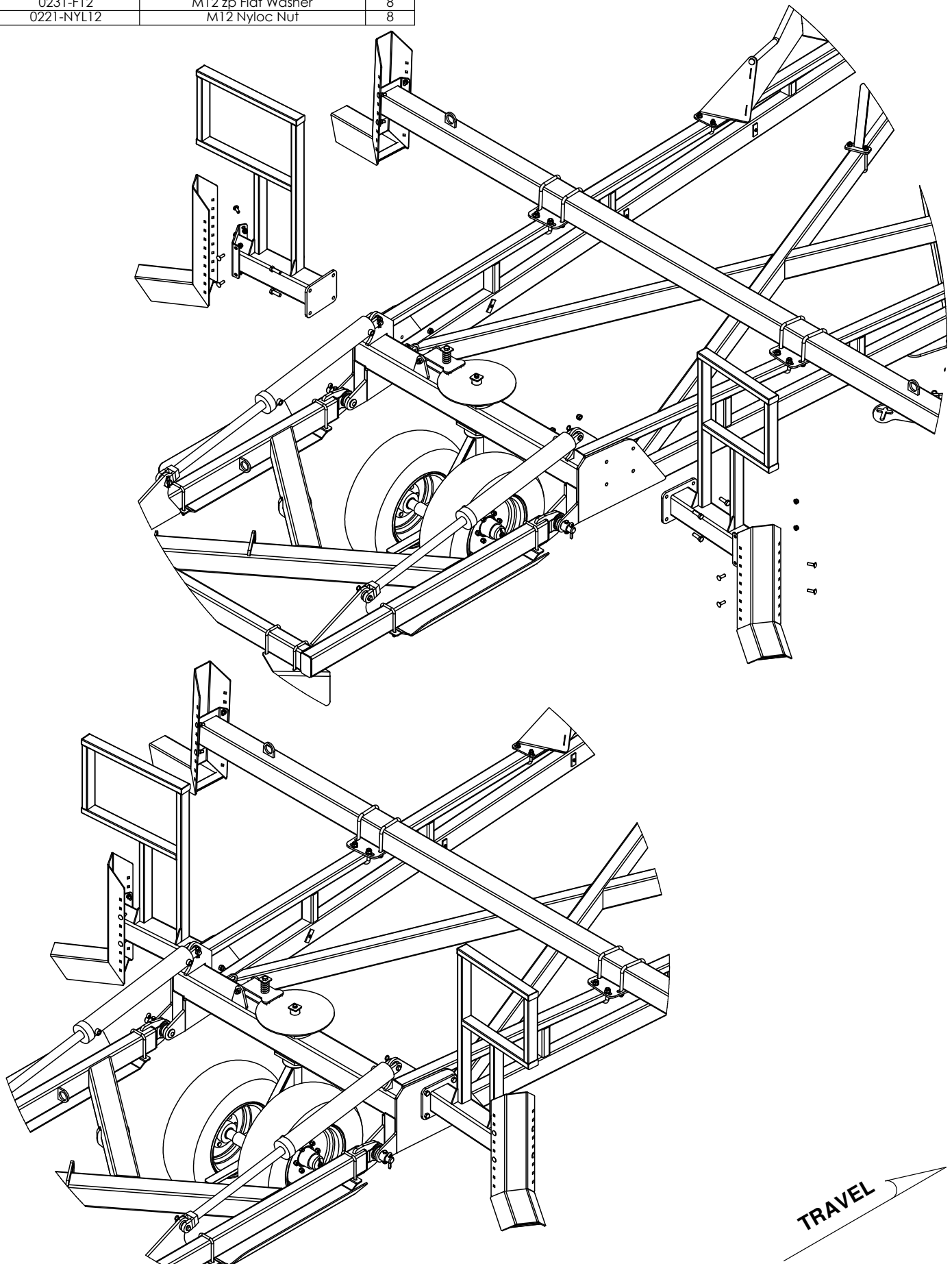


PART NUMBER	DESCRIPTION	QTY.
PC10-19	Rear Frame M	1
0271-1215577	U-Bolt M12 x 155 x 77	4
0800-228.1	60" Rear A-Frame Guard	1
0271-128077	U-Bolt M12 x 80 x 77	4
0231-F12	M12 zp Flat Washer	16
0221-NYL12	M12 Nyloc Nut	16
0810-19L	Left Hand M	1
0810-18R	Right Hand M	1

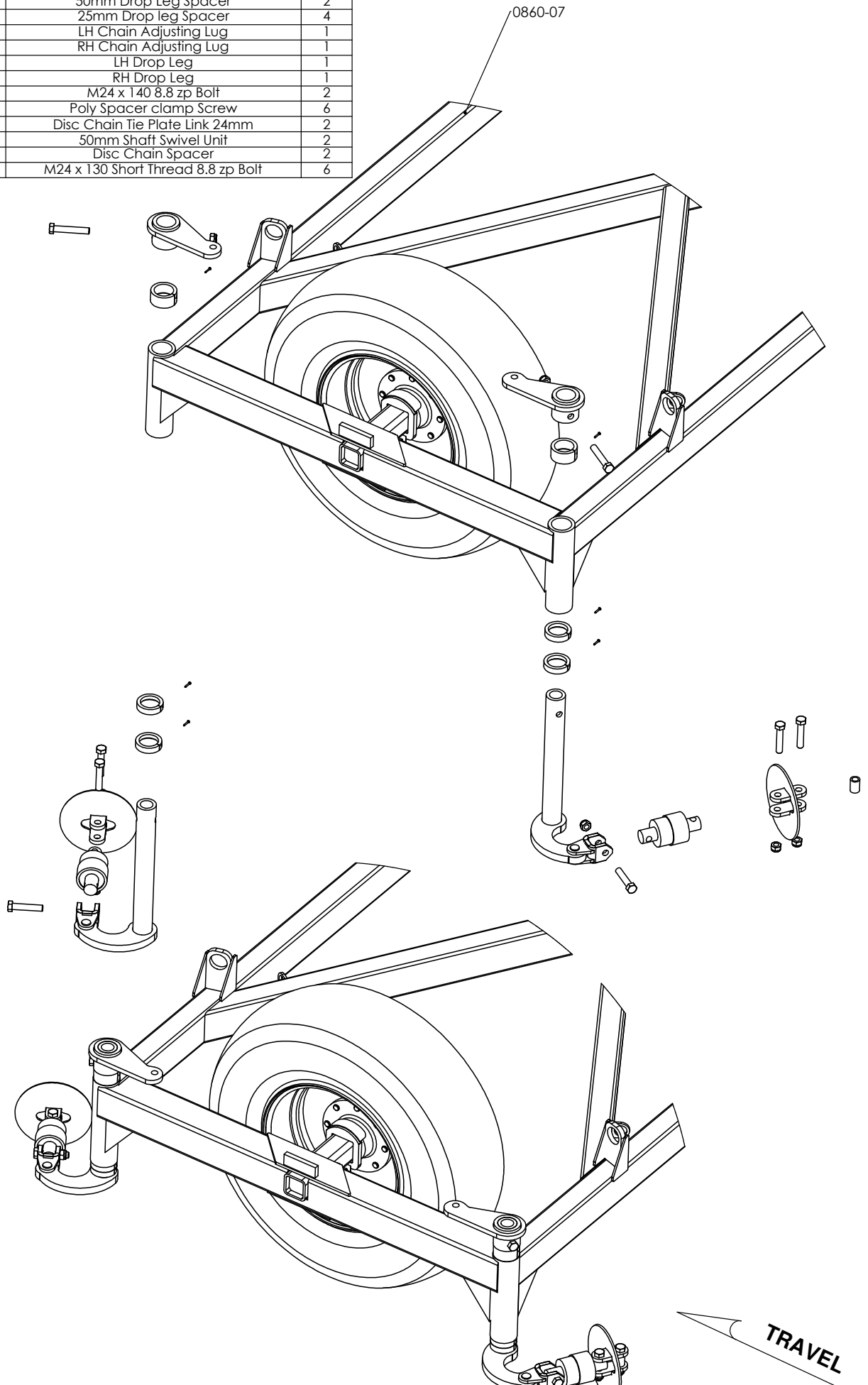


TRAVEL

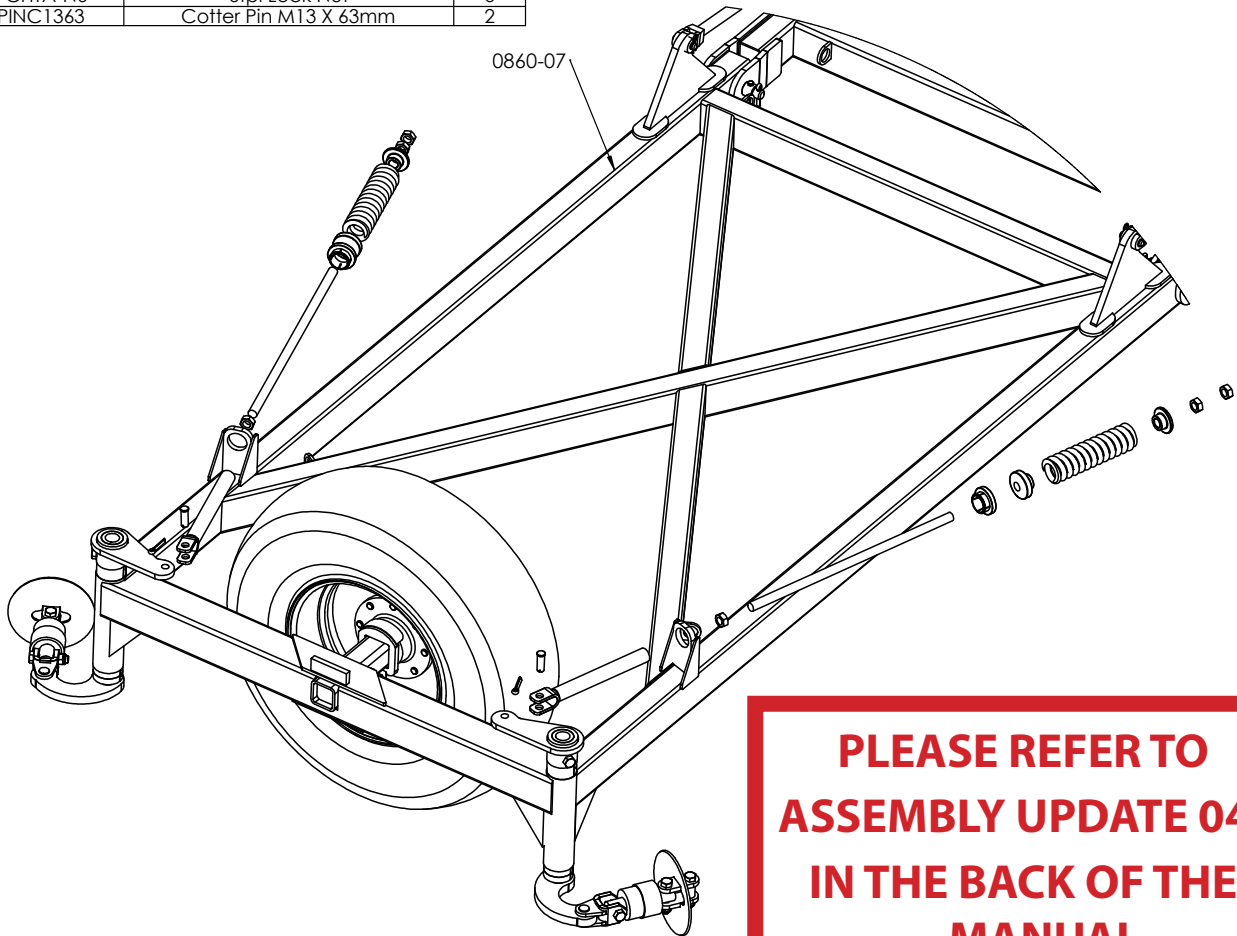
PART NUMBER	DESCRIPTION	QTY.
0810-109R	RH Outrigger With OS Sign Frame	1
0810-109L	LH Outrigger With OS Sign Frame	1
0810-17L	Chain Carrier Bolt on End	2
0211-1650	M16 x 50 8.8 zp Bolt	8
0221-NYL16	M16 Nyloc Nut	8
0215-CH1240	M12 x 40 Coach Head Bolt	8
0231-F12	M12 zp Flat Washer	8
0221-NYL12	M12 Nyloc Nut	8



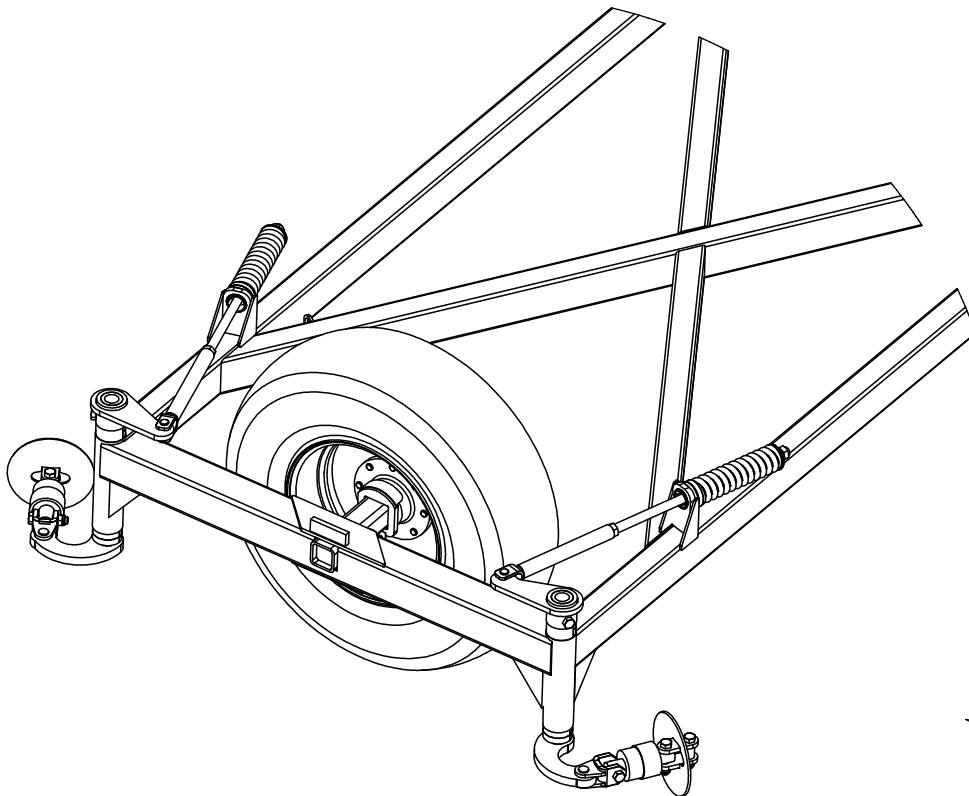
PART NUMBER	DESCRIPTION	QTY.
0221-NYL24	M24 Nyloc Nut	8
0801-PS50	50mm Drop Leg Spacer	2
0801-PS25	25mm Drop leg Spacer	4
0810-26	LH Chain Adjusting Lug	1
0810-27	RH Chain Adjusting Lug	1
0810-24-60	LH Drop Leg	1
0810-25-60	RH Drop Leg	1
0211-24140	M24 x 140 8.8 zp Bolt	2
0243-ST8G1.25ZP	Poly Spacer clamp Screw	6
0802-DCTP-24	Disc Chain Tie Plate Link 24mm	2
0802-PCHB553	50mm Shaft Swivel Unit	2
0801-PCDCS55	Disc Chain Spacer	2
0211-24120ST	M24 x 130 Short Thread 8.8 zp Bolt	6



PART NUMBER	DESCRIPTION	QTY.
0801-KE-0307-1	Clevis Pin 25mm x 75mm	2
0801-XK9261S	20mm Compression Spring	2
0801-KE0805-3	Tensioner Cup Male	2
0801-KE0805-4	Tensioner Cup Female	2
0801-PCHTA-B6	6tpi 1.25" Tension Bolt	2
0801-PCHTA-BC	Tension Assembly Body	2
0801-PCHTA-SB	Steel Spring Retaining Bush	2
0801-PCHTA-N6	6tpi Lock Nut	6
0261-PINC1363	Cotter Pin M13 X 63mm	2

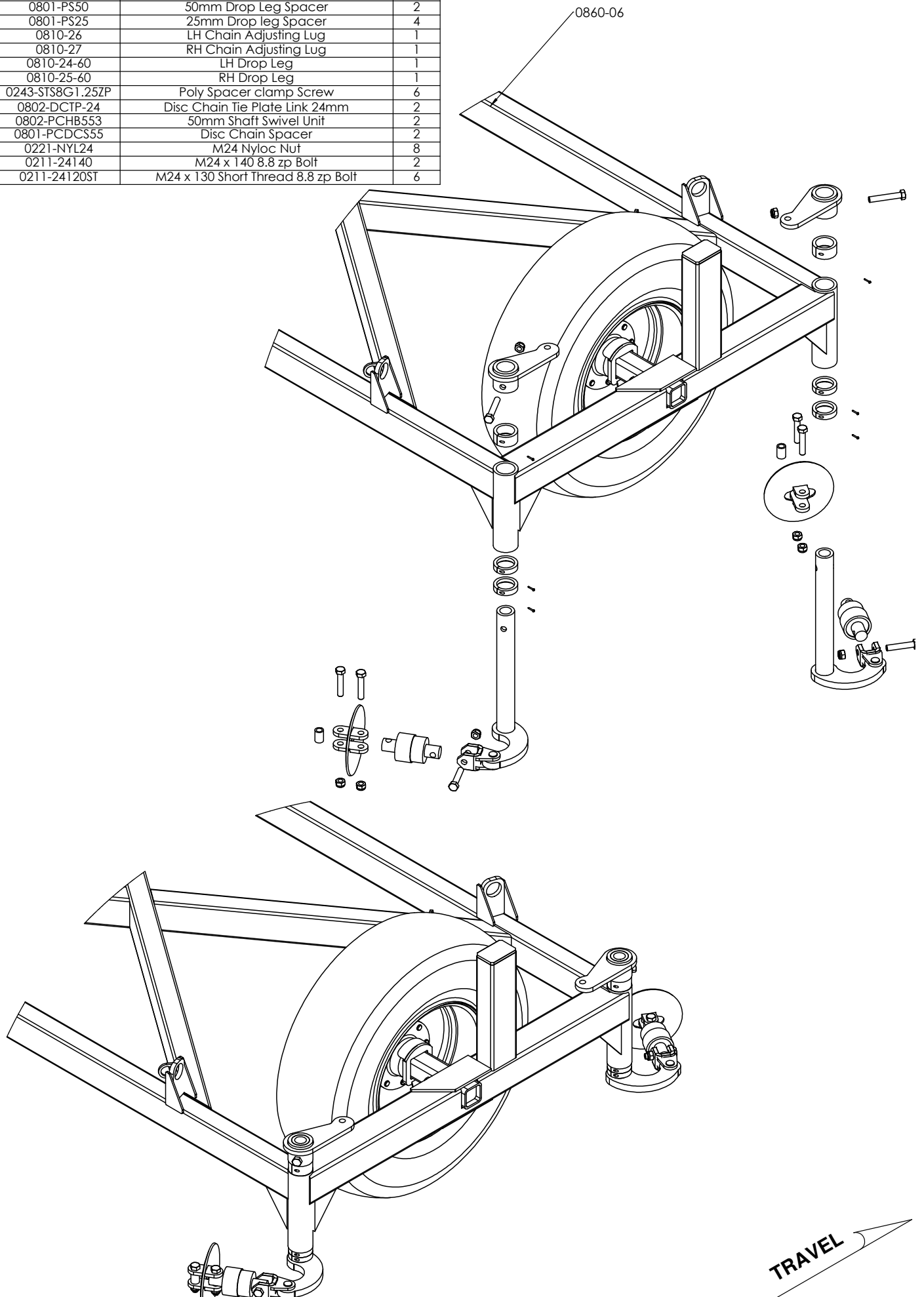


**PLEASE REFER TO
ASSEMBLY UPDATE 043
IN THE BACK OF THE
MANUAL**

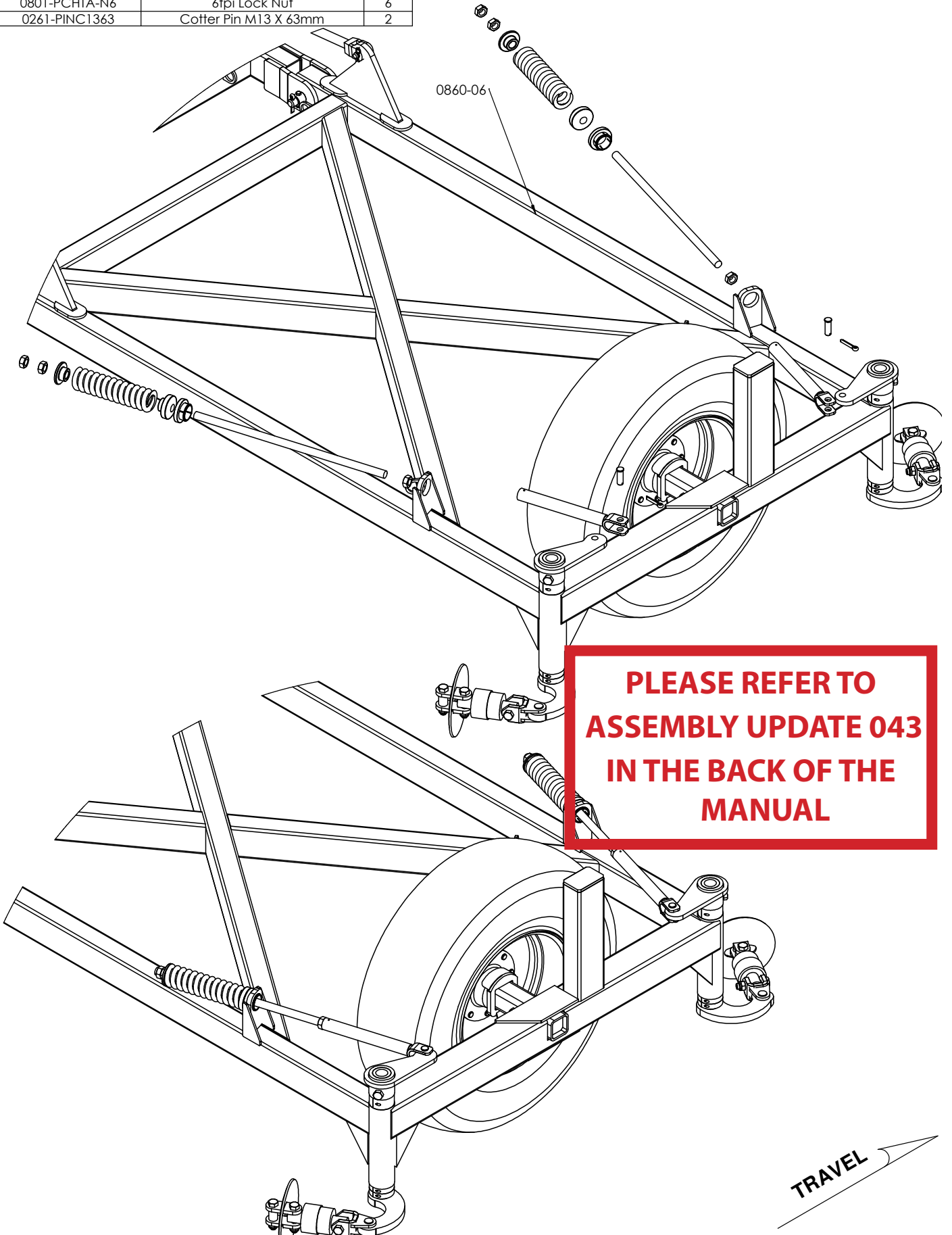


TRAVEL

PART NUMBER	DESCRIPTION	QTY.
0801-PS50	50mm Drop Leg Spacer	2
0801-PS25	25mm Drop leg Spacer	4
0810-26	LH Chain Adjusting Lug	1
0810-27	RH Chain Adjusting Lug	1
0810-24-60	LH Drop Leg	1
0810-25-60	RH Drop Leg	1
0243-ST58G1.25ZP	Poly Spacer clamp Screw	6
0802-DCTP-24	Disc Chain Tie Plate Link 24mm	2
0802-PCHB553	50mm Shaft Swivel Unit	2
0801-PCDCS55	Disc Chain Spacer	2
0221-NYL24	M24 Nyloc Nut	8
0211-24140	M24 x 140 8.8 zp Bolt	2
0211-24120ST	M24 x 130 Short Thread 8.8 zp Bolt	6



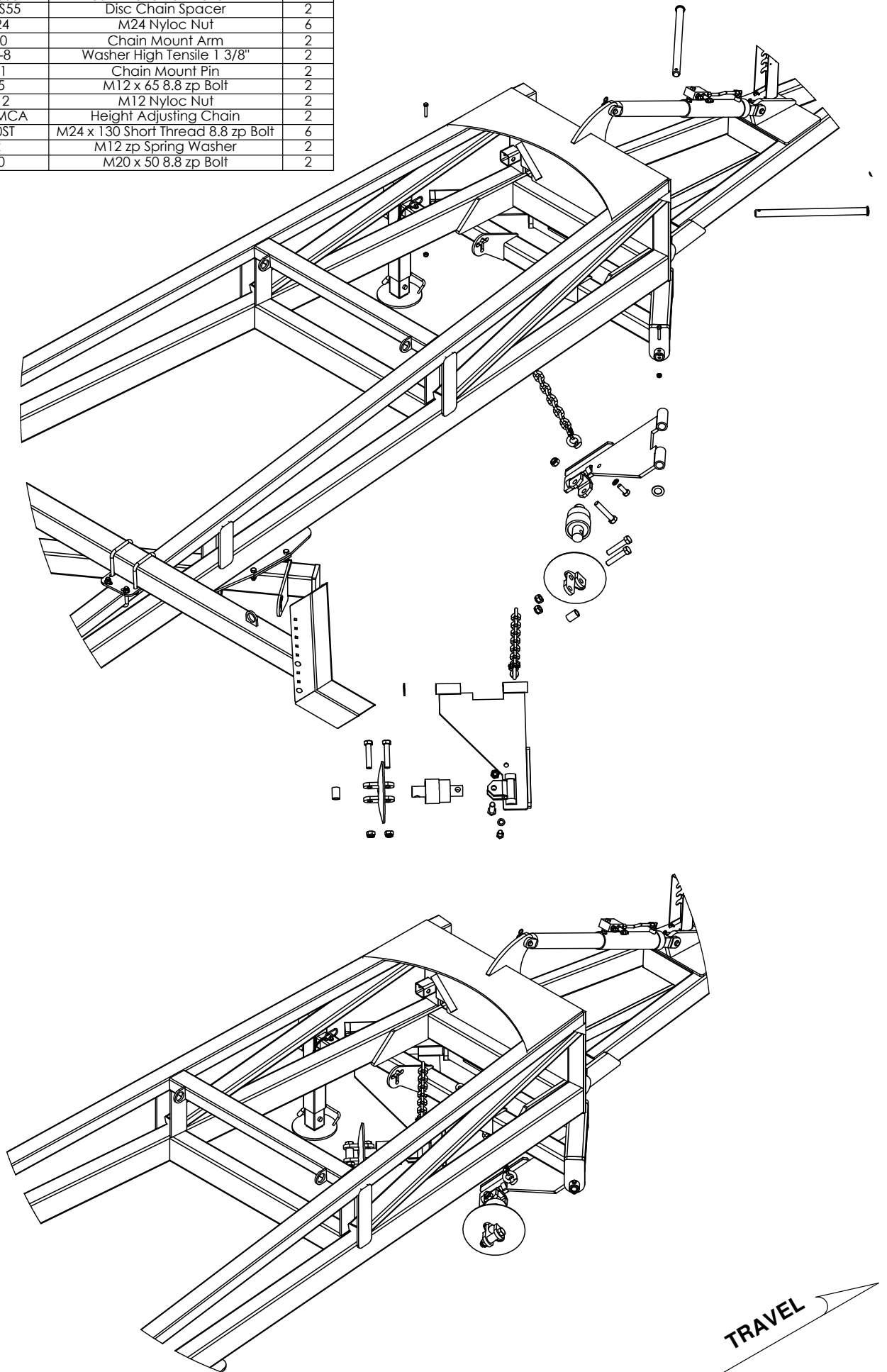
PART NUMBER	DESCRIPTION	QTY.
0801-KE-0307-1	Clevis Pin 25mm x 75mm	2
0801-XK9261S	20mm Compression Spring	2
0801-KE0805-3	Tensioner Cup Male	2
0801-KE0805-4	Tensioner Cup Female	2
0801-PCHTA-B6	6tpi 1.25" Tension Bolt	2
0801-PCHTA-BC	Tension Assembly Body	2
0801-PCHTA-SB	Steel Spring Retaining Bush	2
0801-PCHTA-N6	6tpi Lock Nut	6
0261-PINC1363	Cotter Pin M13 X 63mm	2



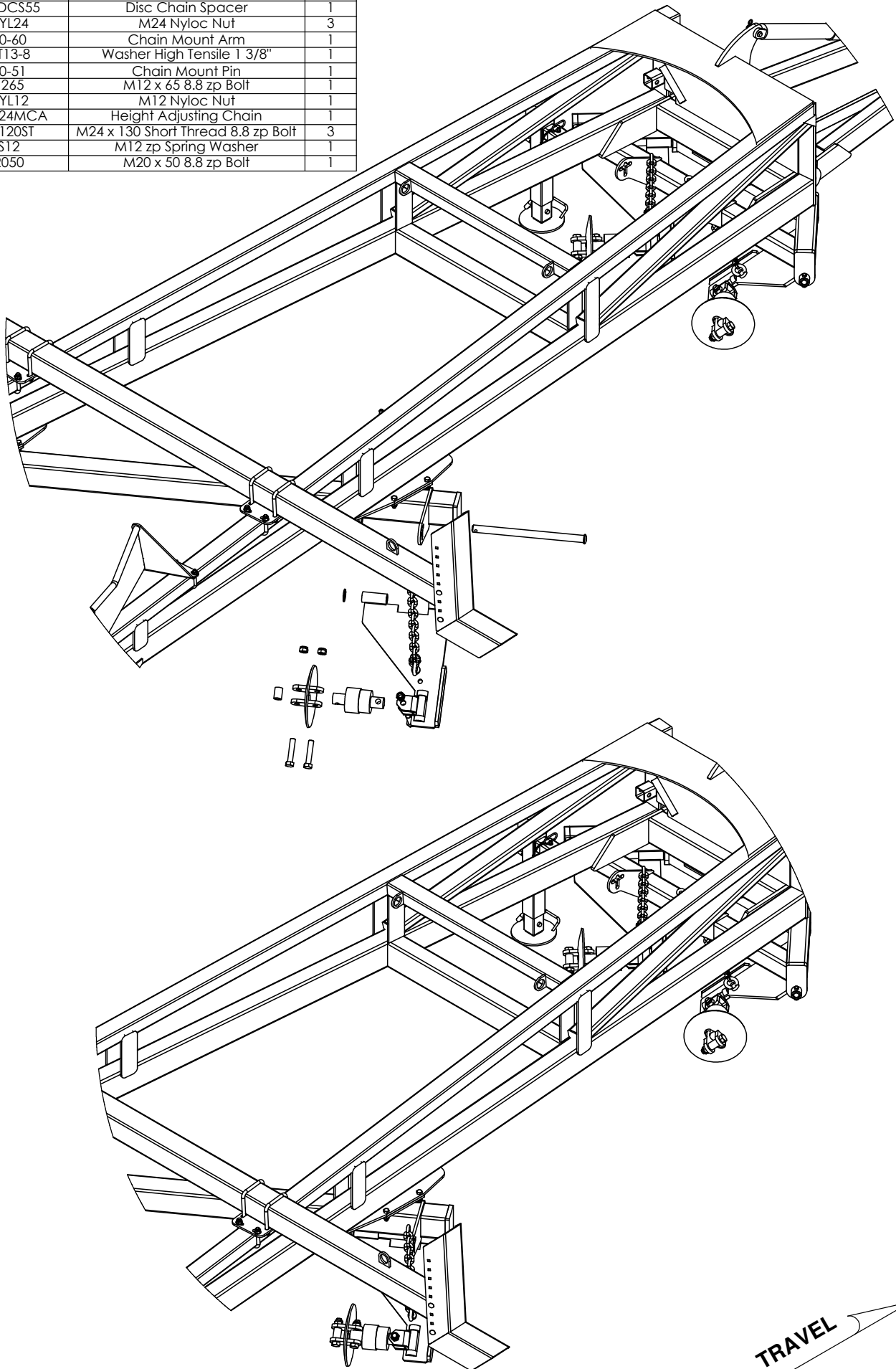
**PLEASE REFER TO
ASSEMBLY UPDATE 043
IN THE BACK OF THE
MANUAL**

TRAVEL →

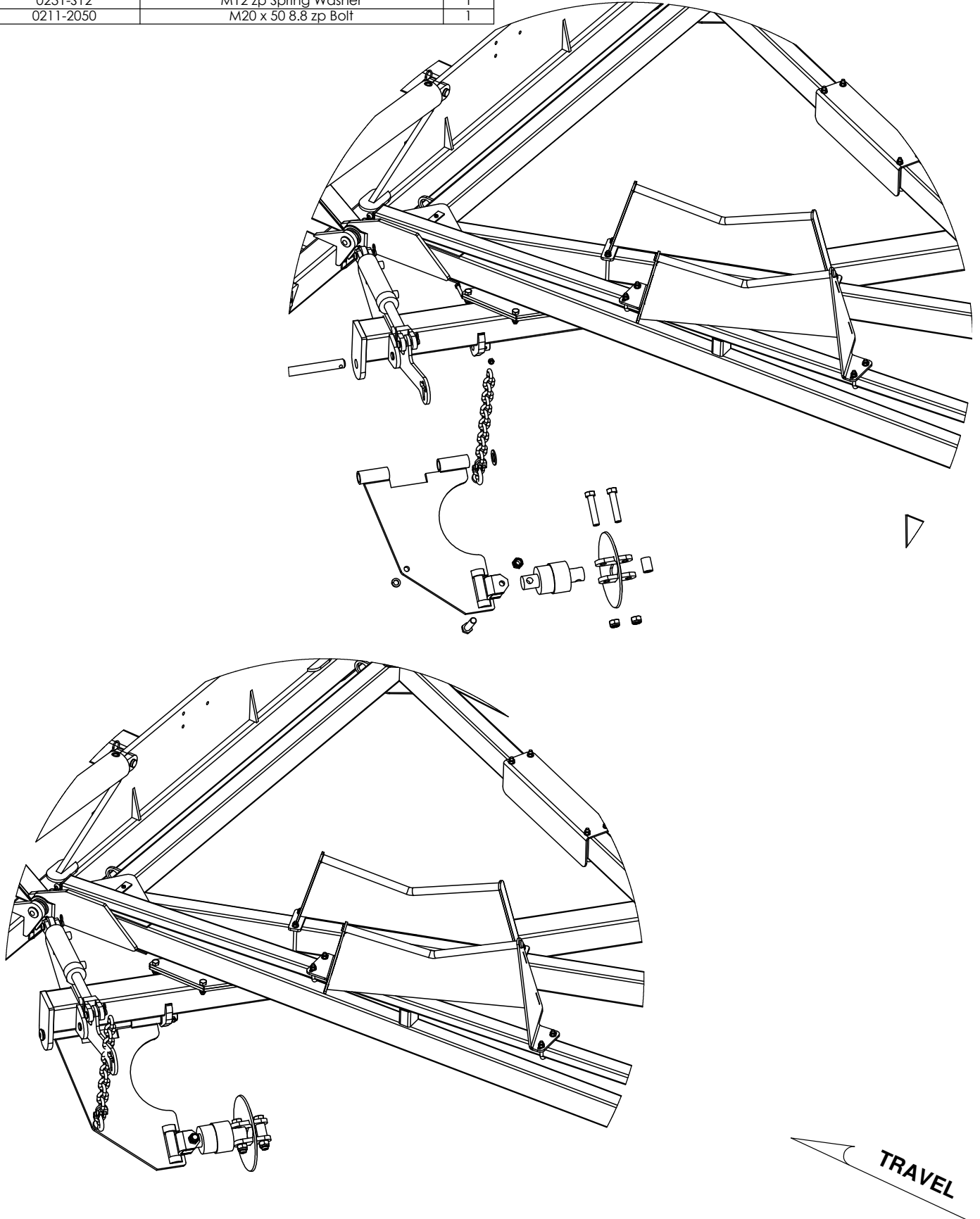
PART NUMBER	DESCRIPTION	QTY.
0802-DCTP-24	Disc Chain Tie Plate Link 24mm	2
0802-PCHB553	50mm Shaft Swivel Unit	2
0801-PCDCS55	Disc Chain Spacer	2
0221-NYL24	M24 Nyloc Nut	6
0810-20-60	Chain Mount Arm	2
0232-HT13-8	Washer High Tensile 1 3/8"	2
0801-10-51	Chain Mount Pin	2
0211-1265	M12 x 65 8.8 zp Bolt	2
0221-NYL12	M12 Nyloc Nut	2
0801-PCH24MCA	Height Adjusting Chain	2
0211-24120ST	M24 x 130 Short Thread 8.8 zp Bolt	6
0231-S12	M12 zp Spring Washer	2
0211-2050	M20 x 50 8.8 zp Bolt	2



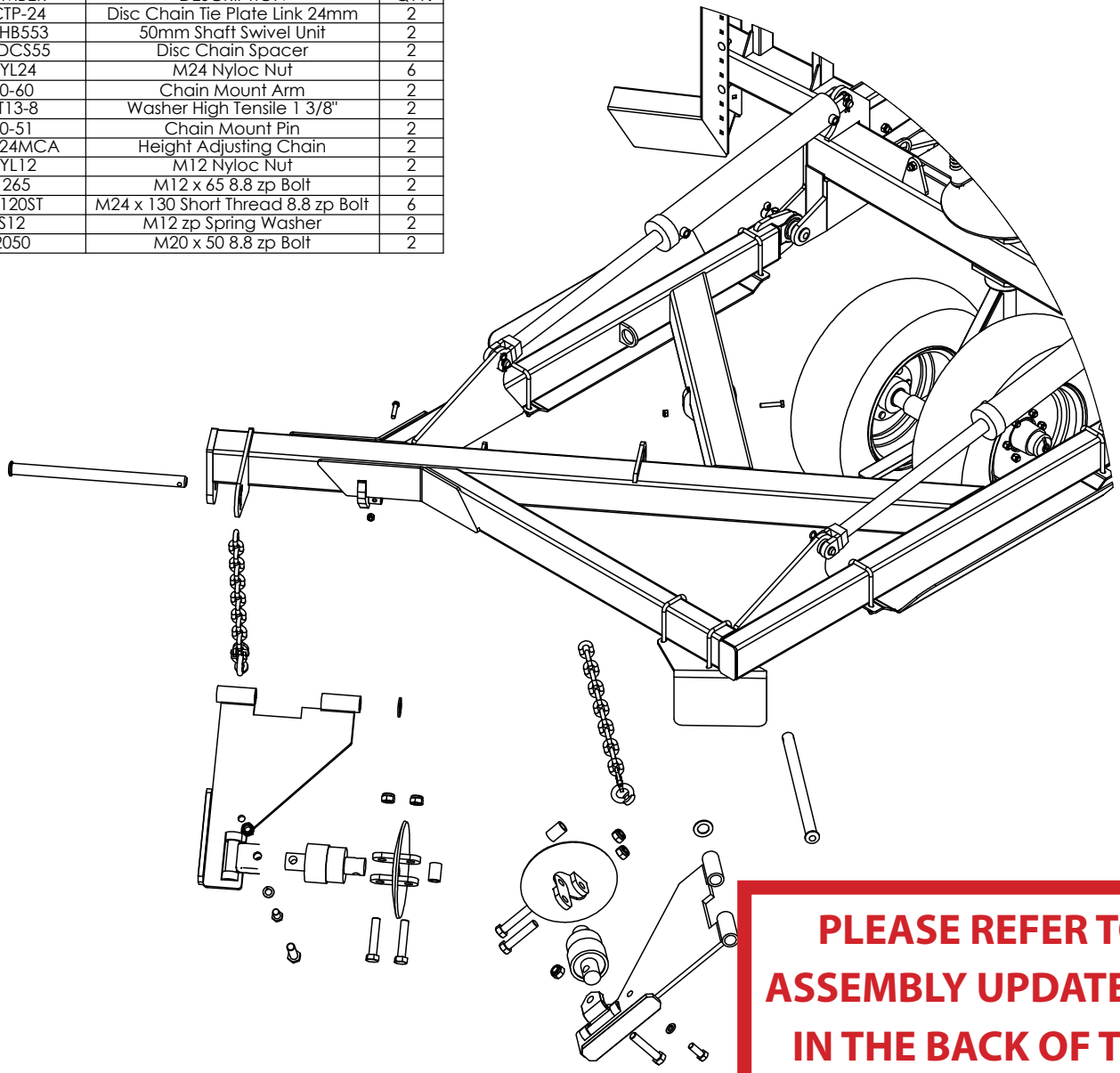
PART NUMBER	DESCRIPTION	QTY.
0802-DCTP-24	Disc Chain Tie Plate Link 24mm	1
0802-PCHB553	50mm Shaft Swivel Unit	1
0801-PCDCS55	Disc Chain Spacer	1
0221-NYL24	M24 Nyloc Nut	3
0810-20-60	Chain Mount Arm	1
0232-HT13-8	Washer High Tensile 1 3/8"	1
0801-10-51	Chain Mount Pin	1
0211-1265	M12 x 65 8.8 zp Bolt	1
0221-NYL12	M12 Nyloc Nut	1
0801-PCH24MCA	Height Adjusting Chain	1
0211-24120ST	M24 x 130 Short Thread 8.8 zp Bolt	3
0231-S12	M12 zp Spring Washer	1
0211-2050	M20 x 50 8.8 zp Bolt	1



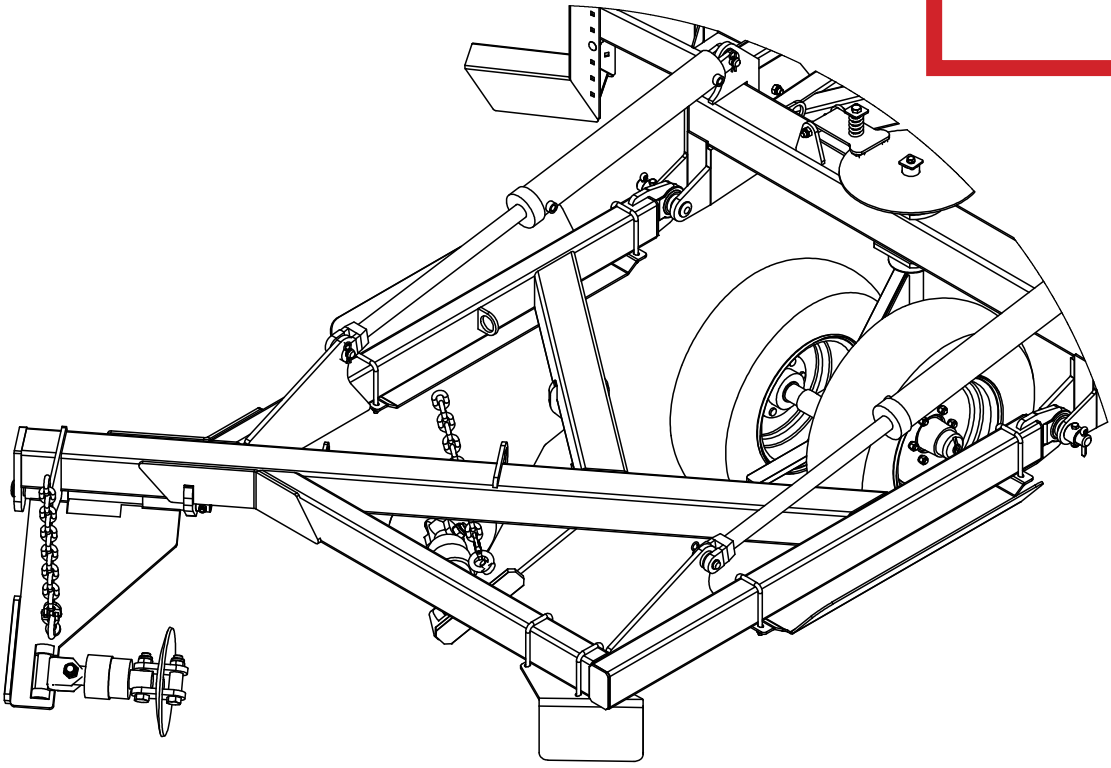
PART NUMBER	DESCRIPTION	QTY.
0802-DCTP-24	Disc Chain Tie Plate Link 24mm	1
0802-PCHB553	50mm Shaft Swivel Unit	1
0801-PCDCS55	Disc Chain Spacer	1
0221-NYL24	M24 Nyloc Nut	3
0232-HT13-8	Washer High Tensile 1 3/8"	1
0801-10-51	Chain Mount Pin	1
0801-PCH24MCA	Height Adjusting Chain	1
0810-33	Reducing Chain Mount Arm 20mm Clevis	1
0211-1265	M12 x 65 8.8 zp Bolt	1
0221-NYL12	M12 Nyloc Nut	1
0211-24120ST	M24 x 130 Short Thread 8.8 zp Bolt	3
0231-S12	M12 zp Spring Washer	1
0211-2050	M20 x 50 8.8 zp Bolt	1



PART NUMBER	DESCRIPTION	QTY.
0802-DCTP-24	Disc Chain Tie Plate Link 24mm	2
0802-PCHB553	50mm Shaft Swivel Unit	2
0801-PCDCS55	Disc Chain Spacer	2
0221-NYL24	M24 Nyloc Nut	6
0810-20-60	Chain Mount Arm	2
0232-HT13-8	Washer High Tensile 1 3/8"	2
0801-10-51	Chain Mount Pin	2
0801-PCH24MCA	Height Adjusting Chain	2
0221-NYL12	M12 Nyloc Nut	2
0211-1265	M12 x 65 8.8 zp Bolt	2
0211-24120ST	M24 x 130 Short Thread 8.8 zp Bolt	6
0231-S12	M12 zp Spring Washer	2
0211-2050	M20 x 50 8.8 zp Bolt	2

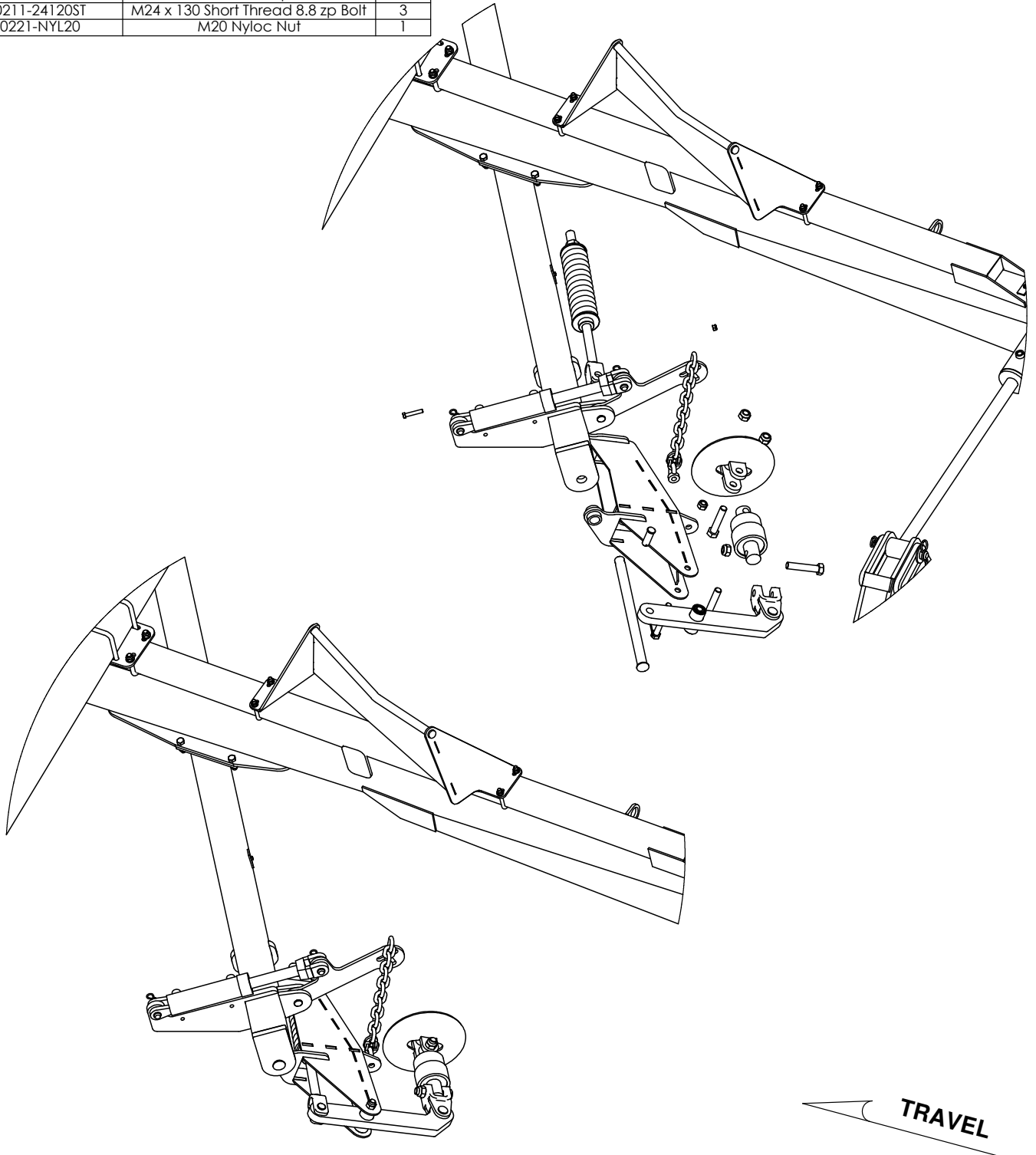


**PLEASE REFER TO
ASSEMBLY UPDATE 043
IN THE BACK OF THE
MANUAL**

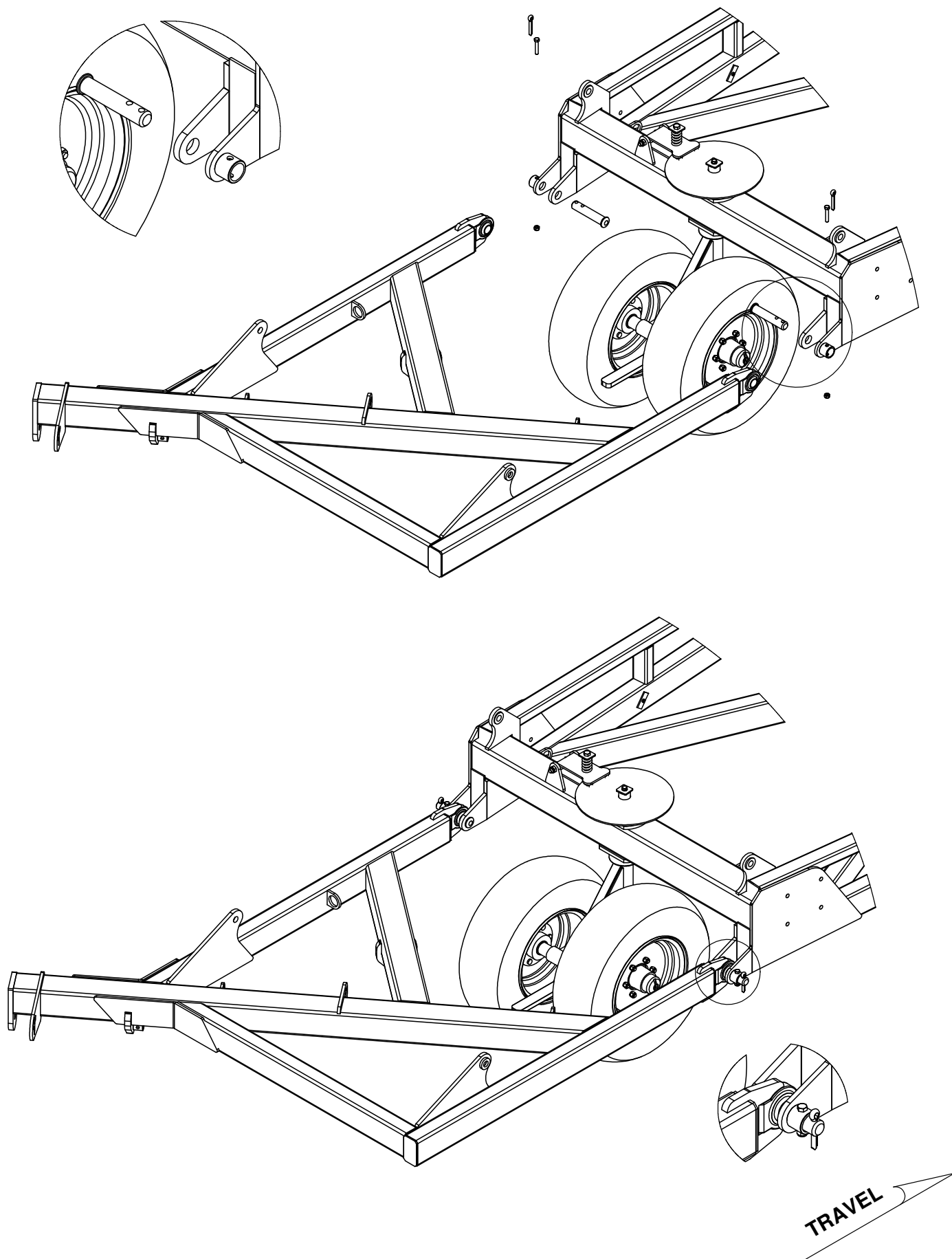


TRAVEL →

PART NUMBER	DESCRIPTION	QTY.
0113-MB 3550DX	35 ID x 50mm DX Bush	2
0801-KE-0307-1	Clevis Pin 25mm x 75mm	1
0802-DCTP-24	Disc Chain Tie Plate Link 24mm	1
0802-PCHB553	50mm Shaft Swivel Unit	1
0801-PCDCS55	Disc Chain Spacer	1
0221-NYL24	M24 Nyloc Nut	3
0801-XK9261S	20mm Compression Spring	1
0801-PCHTA-SB	Steel Spring Retaining Bush	1
0801-PCHTA-N6	6tpi Lock Nut	2
0232-HT13-8	Washer High Tensile 1 3/8"	1
0801-10-51	Chain Mount Pin	1
0810-103F	Front Module Tension Body	1
0810-104-50-60	40/45° Module Tension Arm	1
0810-105	Module Tension Linkage	1
0801-PCH24MCA	Height Adjusting Chain	1
0801-10-S2L	Rigid Spring Locator	1
0261-PINC550	Cotter Pin M5 x 50	1
0801-10-110	Module Pivot Arm Bush	1
0211-1265	M12 x 65 8.8 zp Bolt	1
0221-NYL12	M12 Nyloc Nut	1
0211-20150	M20 x 150 8.8 zp Bolt	1
0211-24120ST	M24 x 130 Short Thread 8.8 zp Bolt	3
0221-NYL20	M20 Nyloc Nut	1

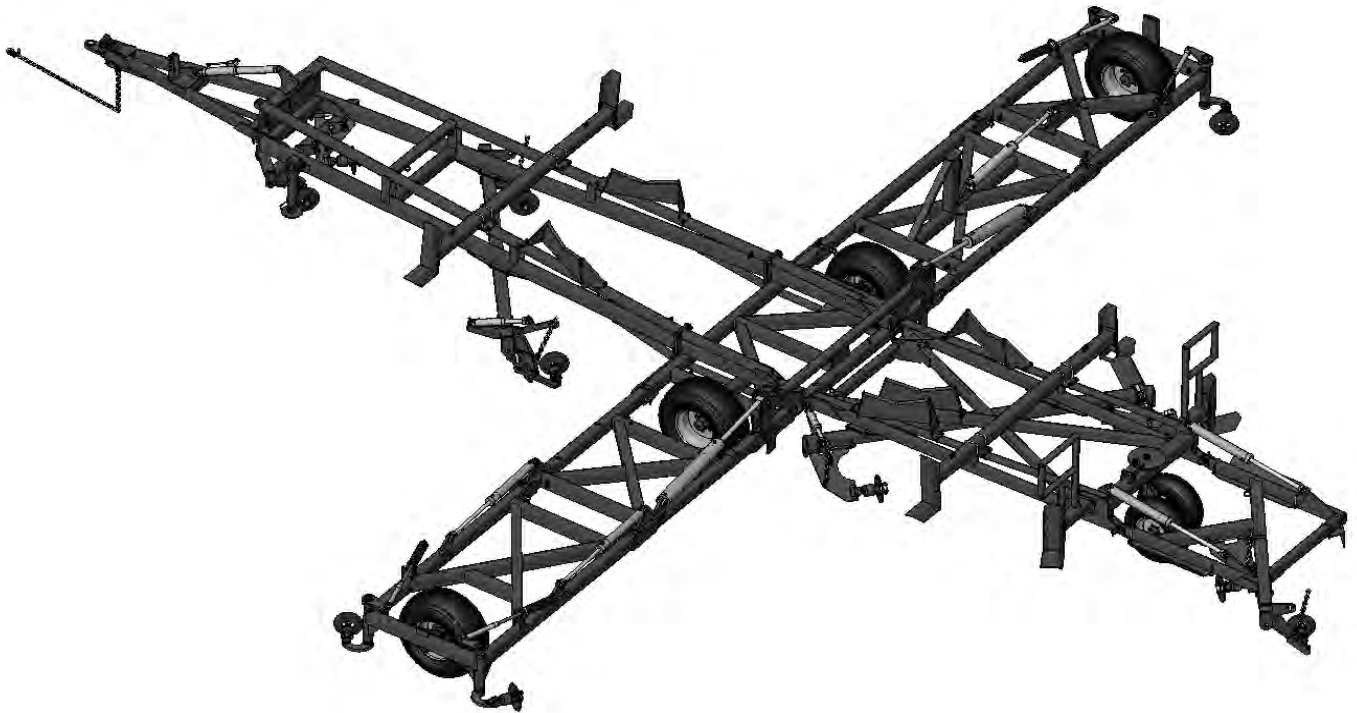
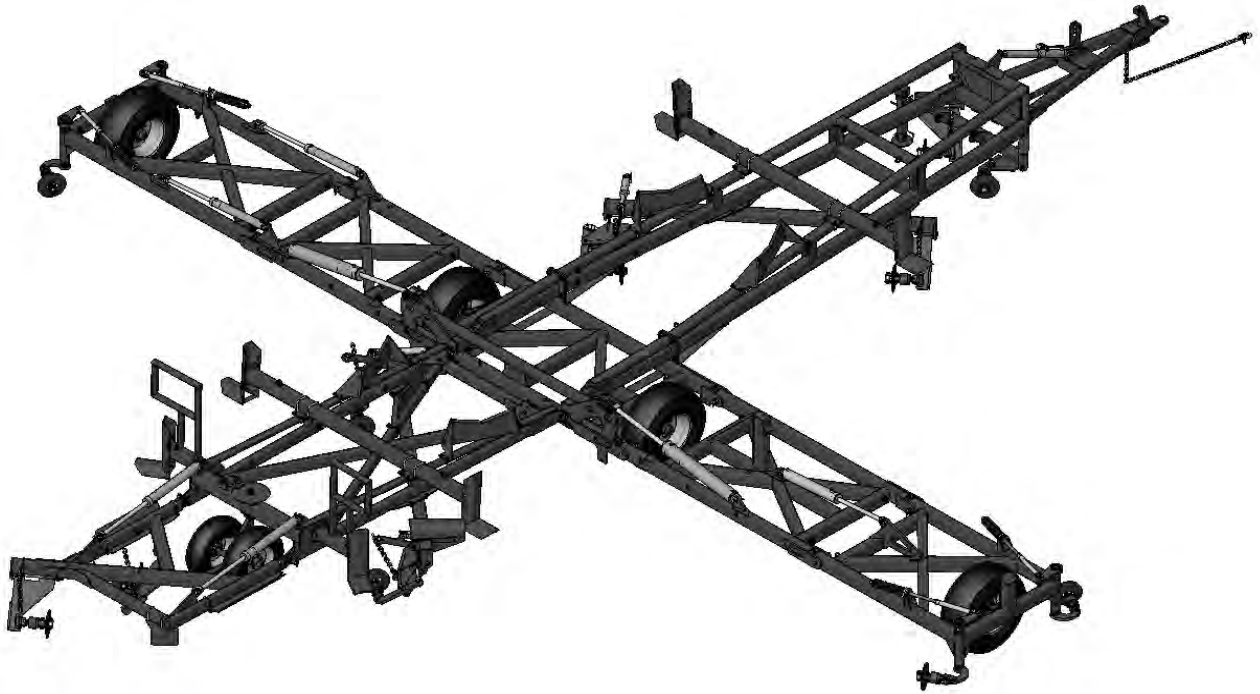


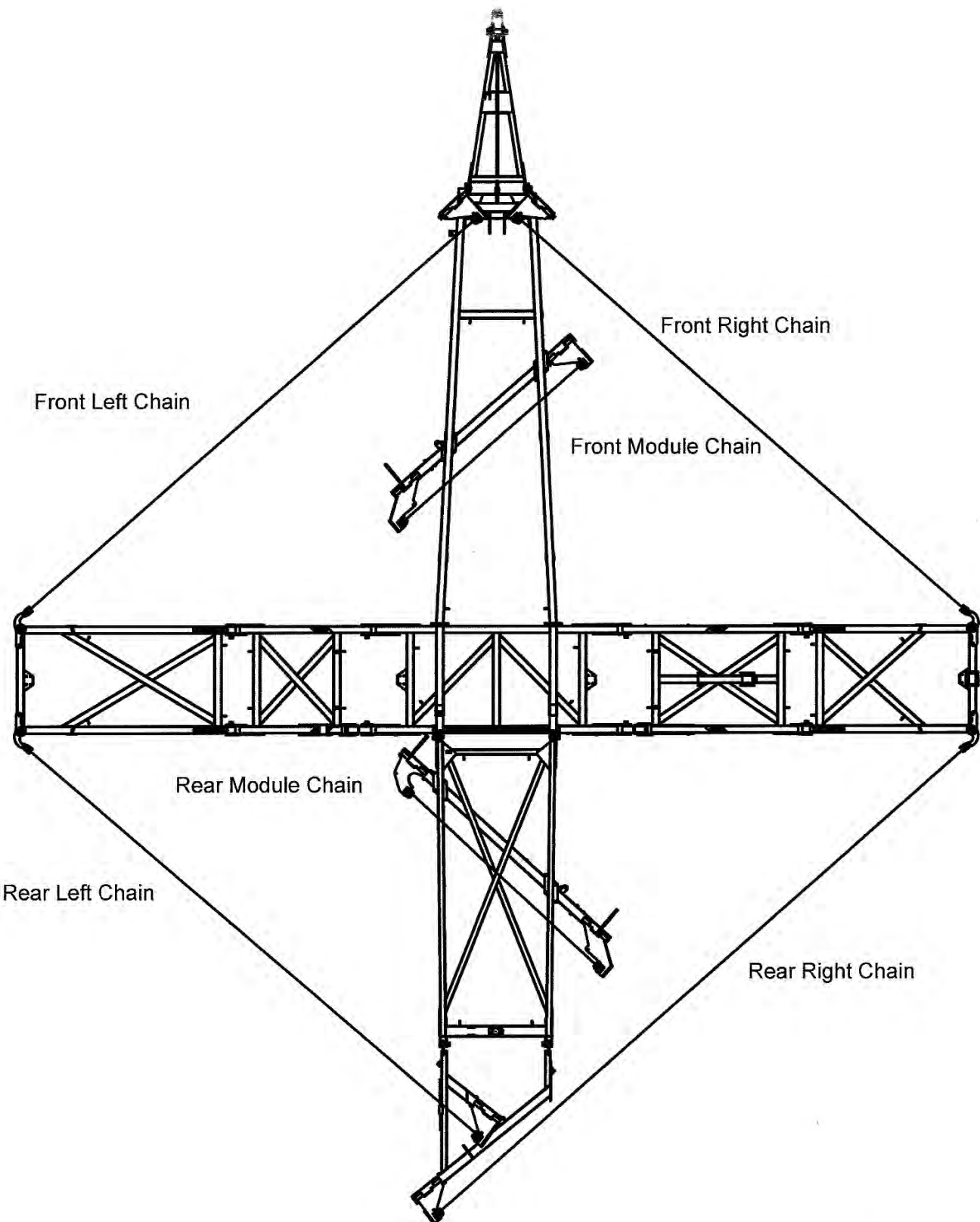
PART NUMBER	DESCRIPTION	QTY.
0801-10-08-175	Tail Frame Pivot pin	2
0810-10	Rear Tail	1
0211-1265	M12 x 65 8.8 zp Bolt	2
0221-NYL12	M12 Nyloc Nut	2
0261-PINC1363	Cotter Pin M13 X 63mm	2



Section 3

Diagrams and charts





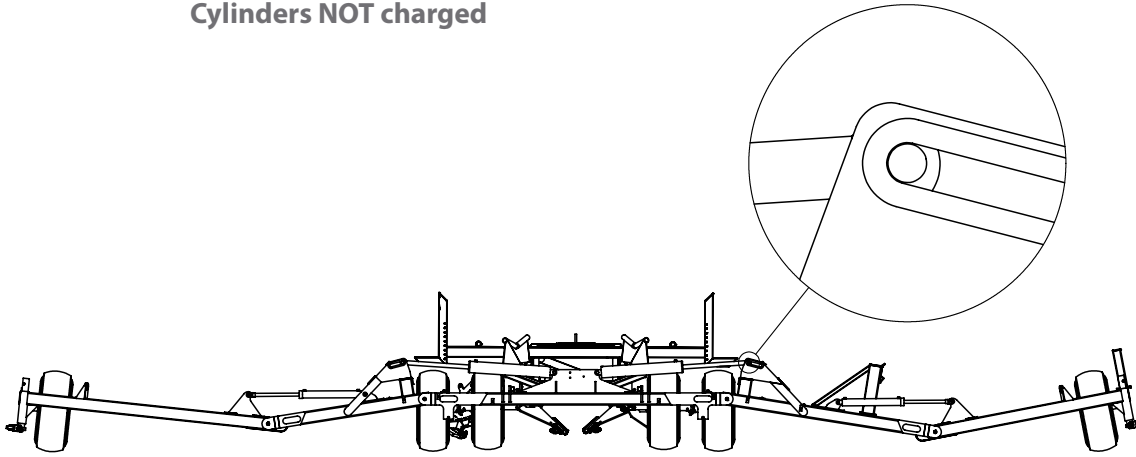


Before folding the machine for the first time, ensure all hydraulic cylinders are charged with oil.

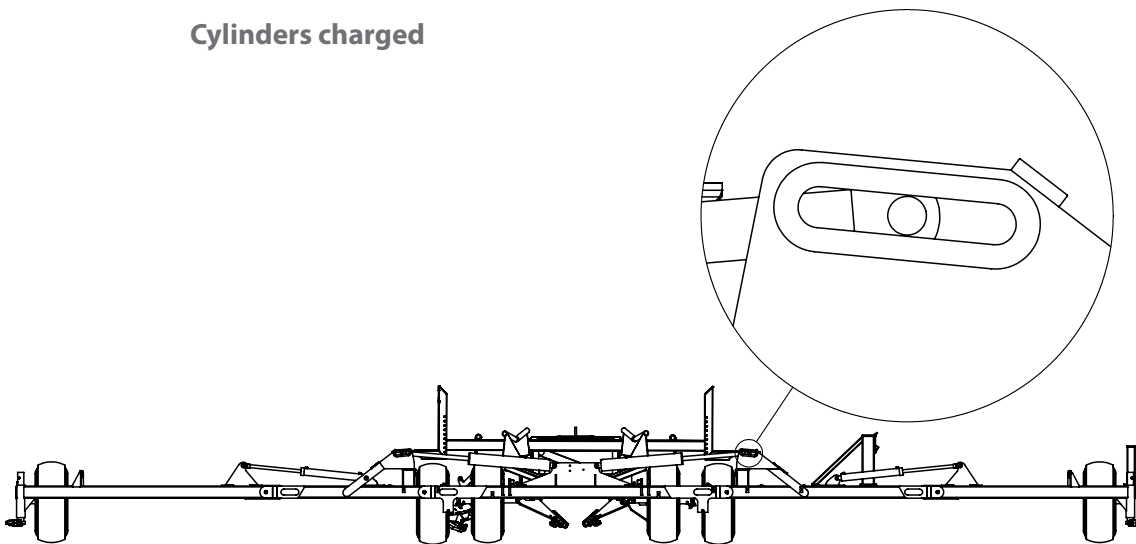
To do this, run the hydraulics through the unfold sequence until the outer wings are straight and the centre cylinders are centred in the slots. (It may take a few minutes for the cylinders to charge completely).

Failure to do this could result in severe personal injury and/or damage to the machine.

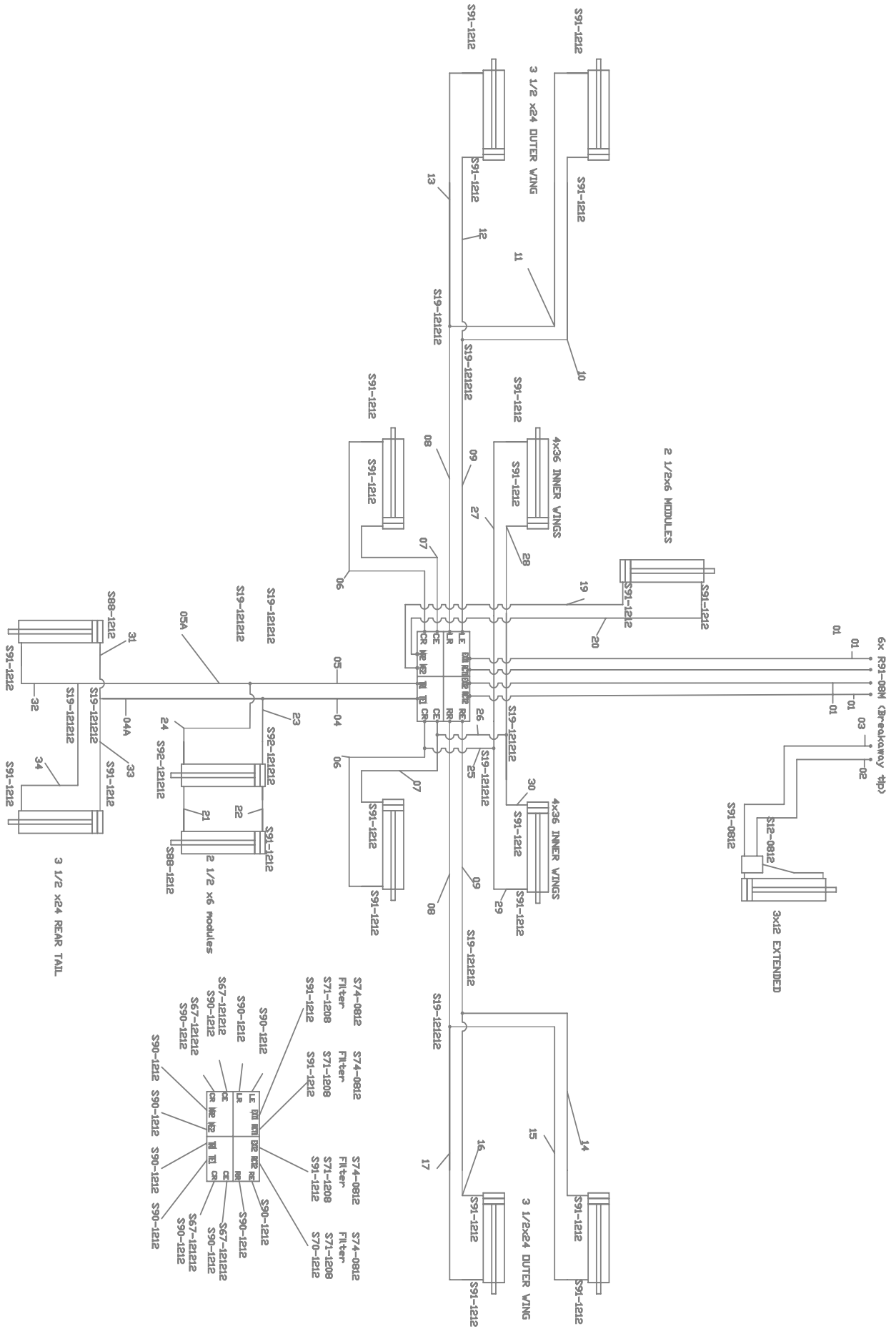
Cylinders NOT charged

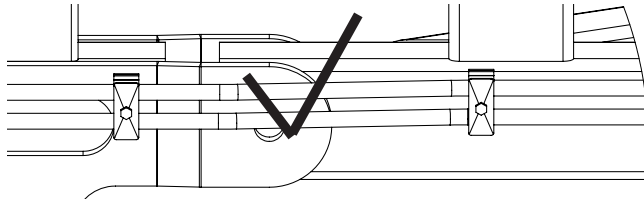


Cylinders charged



Hose map

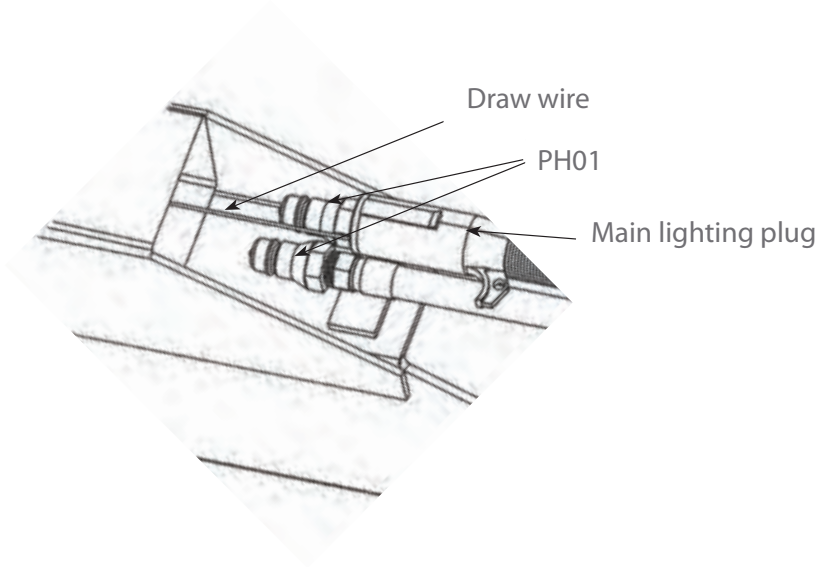




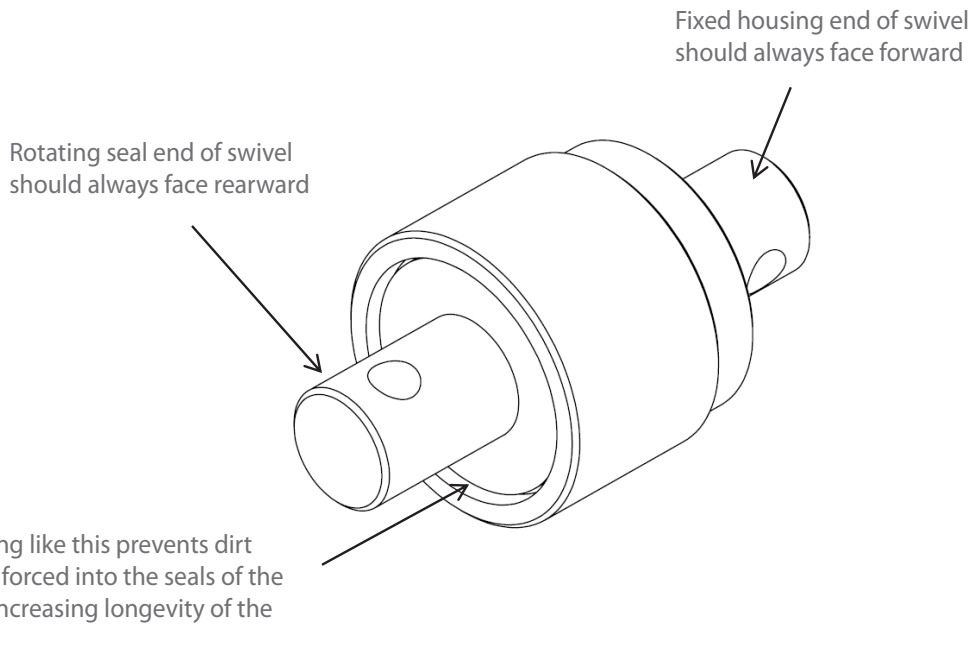
Correct layout of hoses



Avoid crossovers

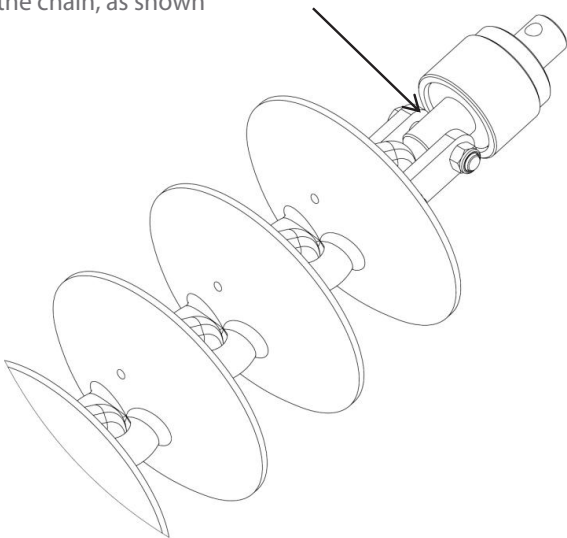


Mounting swivels

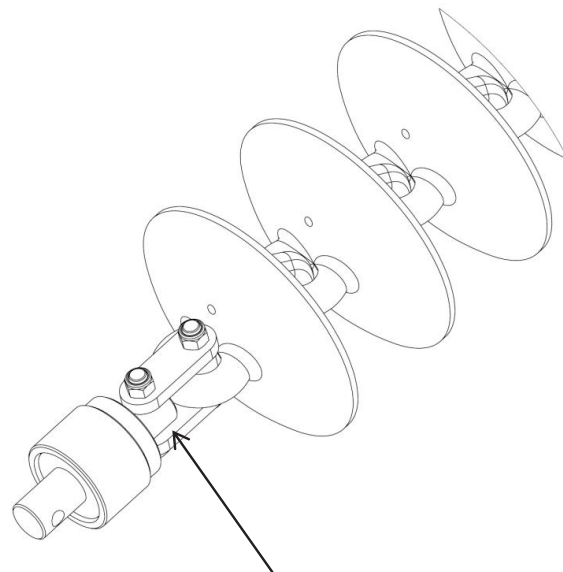


For example

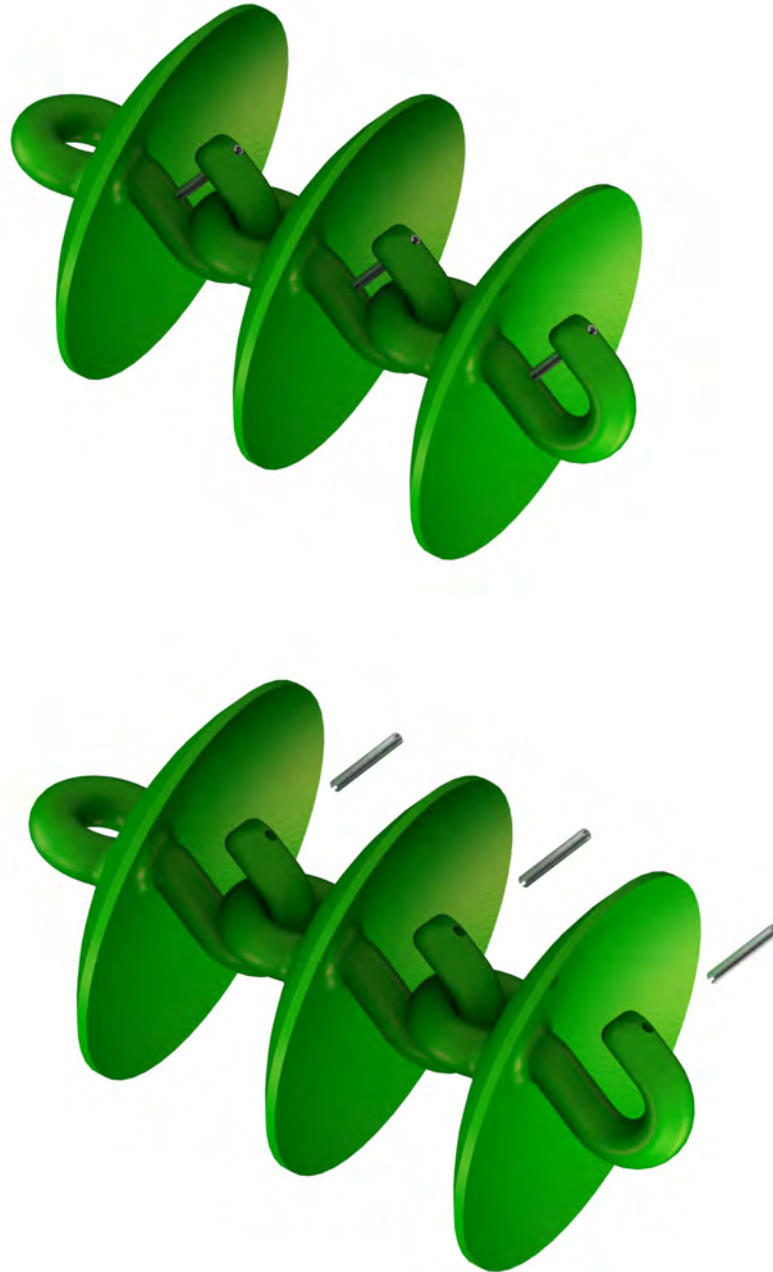
Swivels attached to the leading ends of the chains should have the rotating seal end attached to the chain, as shown



Swivels attached to the trailing ends of the chains should have the fixed housing end attached to the chain, as shown



Please install cast link retaining Pins (3/8" x 3" Roll Pin, part number 0262-3-8X3) on all cast disc links. Failure to do this could lead to the discs becoming dislodged during transport causing severe damage or injury.



Operating speeds

Operating speeds for normal conditions	
Chain type	Speed
Prickle Chain	6-10 Mph / 10-16 kmph
Disc Mulch Chain	6-8 Mph / 10-12 kmph
Transport / towing on roads	15 Mph / 25 kmph

Tire pressure

Tire size	Ply	PSI	KPA
16.5L x 16.1	14	36	250
H40 x 14.5-19	26	60	410
11L - 15	10	44	300
15.5/80/24	16	58	400
16.5/85/24	16	55	380
550/60/22.5	16	40	280
400/60/22.5	16	50	350
12.5/80/18	14	85	590
15.0/70/18	14	71	490

Chain Harrow specifications

Model	50'/15m
Working width	48.5'/14.8m
Transport width	17'/5.2m
Transport height	15'/3.5m
Transport length	62'/19.0m

Bolt Torque Settings

Bolt Type	Wheel nut				U Bolt			Grade 8.8 Bolt					Grade 10.9 Bolt	
	M18	M20	1/2"	9/16"	M10	M12	M16	M10	M12	M16	M20	M24	M20	M24
Ft lb	255	265	90	100	22	36	55	32	48	140	190	270	300	350
Nm	345	360	125	140	30	50	75	44	65	190	260	370	406	475

[1] When fitting a wheel & tire to a hub, do the wheel nuts up in rotation to the correct tension. To achieve this choose a wheel nut & tighten, then go clockwise to the next wheel nut & tighten & so on until all wheel nuts are tight. Then repeat the procedure to check that all nuts are tight. Do not use impact tools to tighten wheel nuts. For a guide to the correct tension of the wheel nuts please use the appropriate tension for your size wheel nuts from the Bolt Torque Settings table.

Torque values are for dry threads and surfaces however it is permissible to apply a small amount of anti corrosive oil to the threads.

Disc Chain lengths

Model		Length	CL2	CL1	W36	R300	SD49	Prickle chain
			CL2 disc chain also requires CL1 disc chain					
50'	Front right	30'/9.0m	CL2 - 42 CL1 - 2	57	56	74	74	103
	Front left	30'/9.0m	CL2 - 42 CL1 - 2	57	56	74	74	103
	Rear right	35'/10.7m	CL2 - 43 CL1 - 2	67	66	88	88	122
	Rear left	30'/9.0m	CL2 - 43 CL1 - 2	58	58	76	76	106
	Modules front	10.3'/3.15m	CL2 - 13 CL1 - 2	19	19	25	25	35
	Modules rear	10.3'/3.15m	CL2 - 11 CL1 - 2	17	17	22	22	31

Section 4

Operation

Basic Operation

Unfolding:

1. Walk around and inspect the machine.
 - a. Check that chains are not hooked on framework
 - b. Check swivel bolts are in place and not broken
 - c. Check that height adjusting chains have not fallen out of their slotted plates during transport.
2. Lower front A frame to working height.
3. Unfold wings holding the hydraulic lever until the tail is in working position and the main center cylinder pins have centered in their slots.
4. Walk around and check that all chain links are straight and that working height of all swivels is correct for field conditions. Adjust if necessary.
5. Move off with all chains in working position. If necessary it is acceptable to raise front A pull to transport height. This will lift the front chains off the ground and reduce the load on the tractor. Lower the front A pull once moving satisfactorily.

Folding:

1. Lower the front A frame to working height. (This is important to ensure that all chains locate correctly in their transport rests).
2. Fold the wings. They should move as follows; modules will raise, tail will raise, main center cylinders will retract, one or both, until the wings stand vertically. The left outer wing then the right outer wing will fold down.
3. Raise front A frame to transport height.
4. Walk around and check that chains have located correctly in transport rests.
(30' only, install wing transport lock pins).

Setting for correct chain tension

Wings

Use the spanner supplied. Loosen the lock nut adjacent to the tensioner assembly body. Turn the tension bolt clockwise to compress the coil spring. Correct tension is achieved when spring retains its set length when operator rolls the chain fore and aft on the ground. Retighten the lock nut. See table below

Spring Compression Length

Model	inches	mm
50	12.4	315

When less than 4" (100mm) of thread remains visible on the adjustor bolt then a link must be removed from the chain



Modules

Loosen the lock nut on the draw bolt.

Tighten the adjusting nut clockwise until the outer face of the spring retaining washer is flush with the body of the module tensioning unit.

Retighten the lock nut.

If more than 8" (200mm) of thread is exposed then a link should be removed to maintain correct adjustment.



Importance of chain tension

Operational

It is imperative that the correct adjustment be maintained. Only through correct adjustment can a smooth and level finish be achieved in field working.

Loose chains lead to :

- Uneven performance across the width of the machine
- Uneven weed control
- Unsatisfactory incorporation
- Ineffective levelling
- Accelerated or premature chain wear
- Chains failing to engage with transport locators when folded
- Machine damage when folding or unfolding
- Uneven field surface with ridges and furrows being created. The leading 1/3rd of a loose chain is much more aggressive than the trailing 1/3rd and the center. This will mean that middle of the machine's front pair of chains will aggressively move soil outwards. The machine's rear pair of chains, if loose, have their aggressive 1/3rd near the wing extremity. It follows then that as the front discs push soil outwards, the least aggressive portion of the rear chain follows them and does not balance the soil movement. This is exacerbated at the wings, effectively creating a broad ridge about halfway out each wing. It won't be evident in one pass, but is possible if care is not taken over time.

A correctly adjusted machine will not cause this phenomenon.

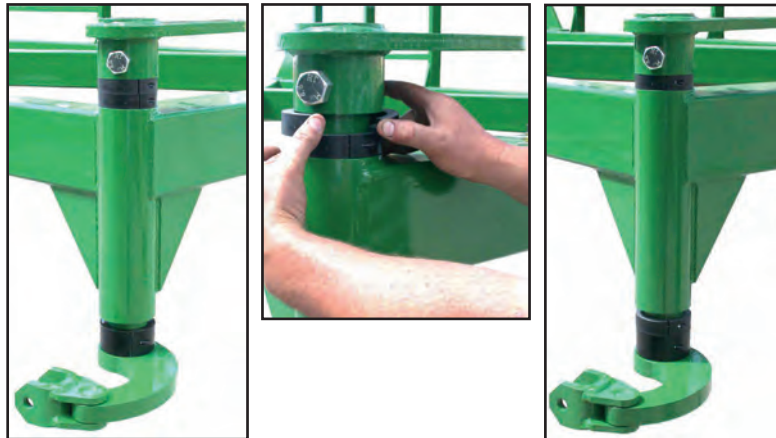
Settings for correct working height

To adjust the swivel height at the wings, relocate one of the polyurethane spacers either above or below the fixed mounting tube.

Adjustment

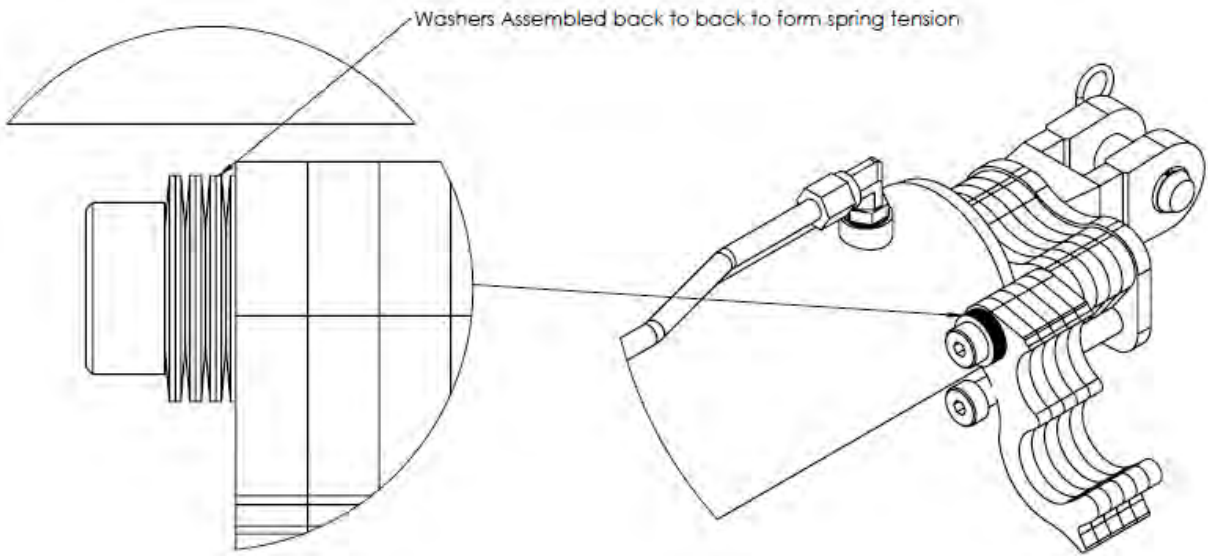
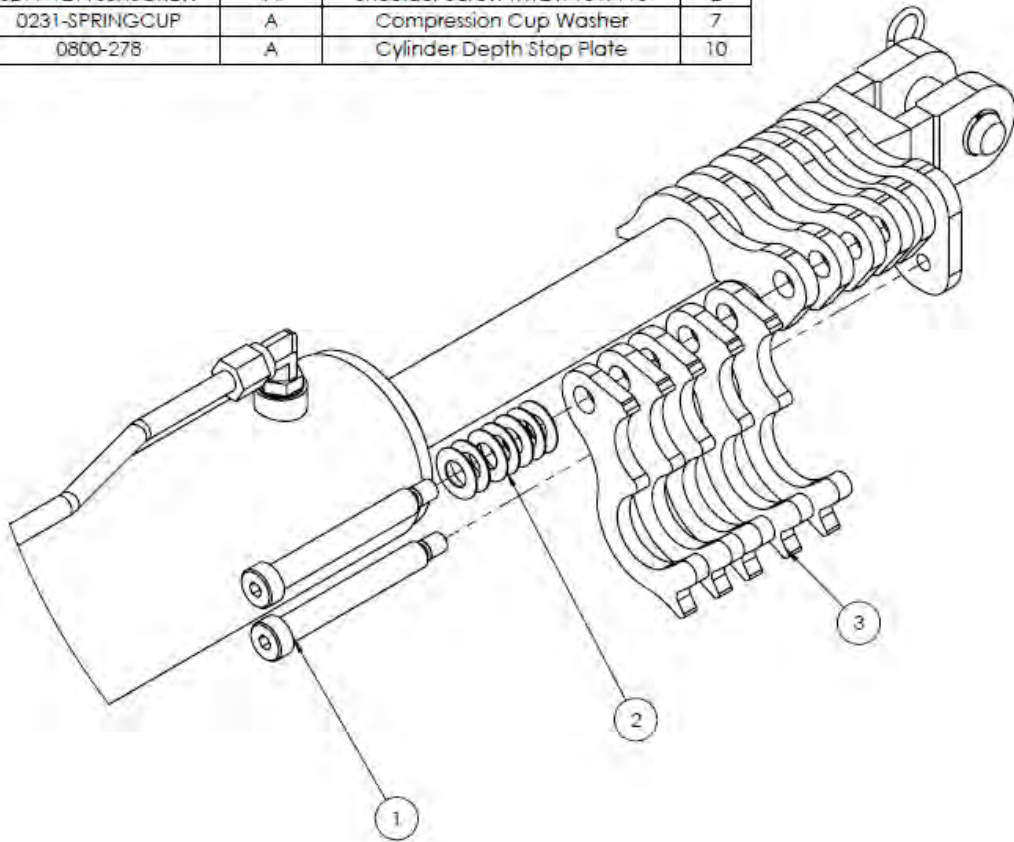
1	Loosen chain tension completely
2	Undo self tapping screw from corresponding spacer then prise open the spacer and spring it off of the drop leg tube
3	Replace it in the selected position after raising or lowering the drop leg
4	Reinstall the self tapping screw and re-tension the chain

It is possible to install all spacers either above or below the mounting tube giving a maximum of 4" (100mm) of adjustment.

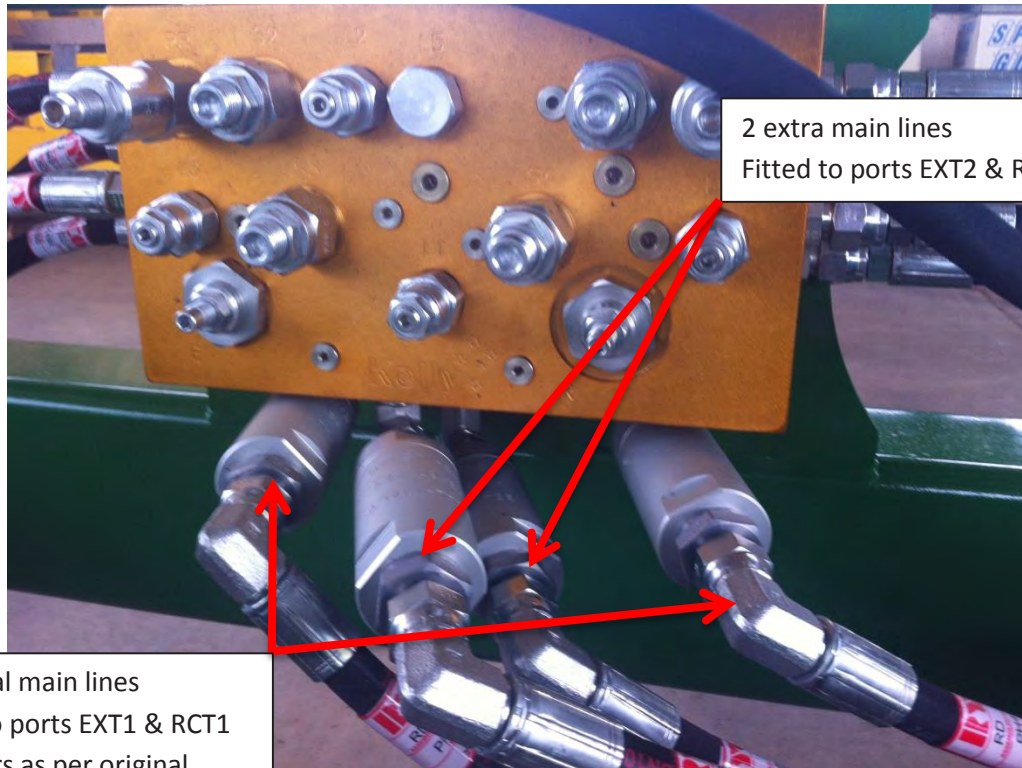


Front Cylinder Depth Stop

ITEM NO.	PART NUMBER	Revision	DESCRIPTION	QTY.
1	0211-12110SHSCREW	A	Shoulder Screw M12 x 16 x 110	2
2	0231-SPRINGCUP	A	Compression Cup Washer	7
3	0800-278	A	Cylinder Depth Stop Plate	10



Hydraulic Valve Block V8-19



2 extra main lines
Fitted to ports EXT2 & RCT2

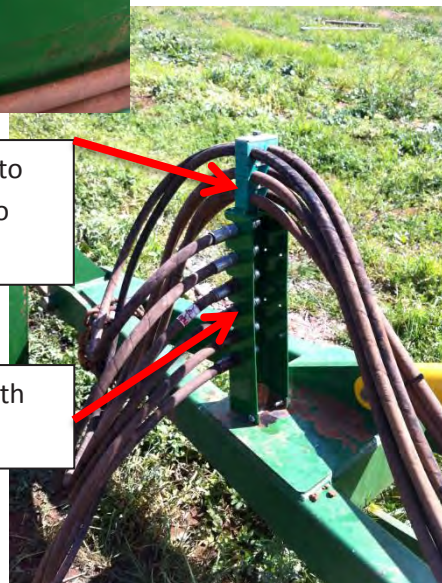
2 original main lines
Fitted to ports EXT1 & RCT1
Via filters as per original
OUT end of filter to valve
block



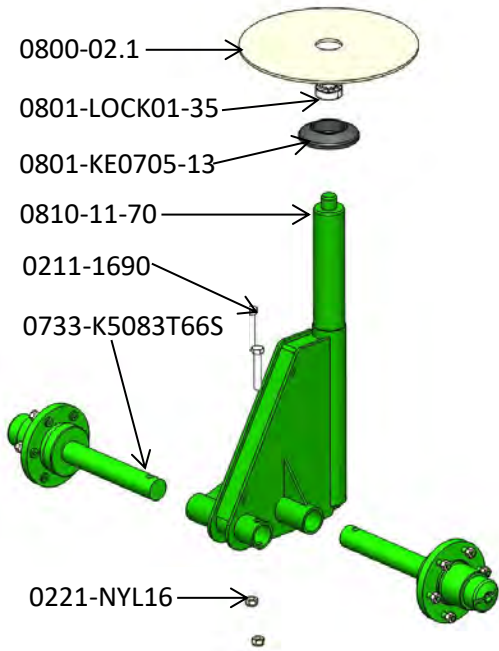
Extra stack clamp added to
mount extra main lines to
existing main lines



New hose mount post with
extra storage points



Brake Disc Collar (Revision B)



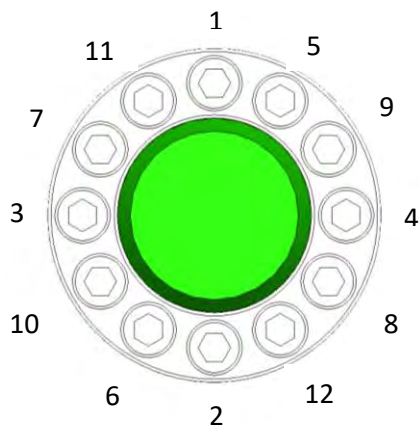
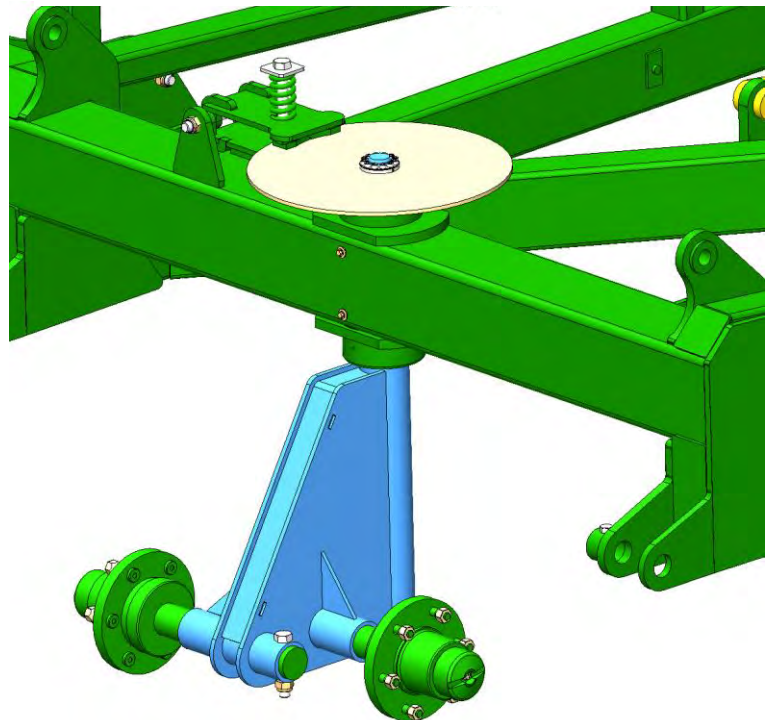
Slide shaft of jockey wheel up through both bearings.

Place black dust cover onto top bearing.

Slide disc brake into the calliper and over the top of jockey wheel.

Ensure when unscrewing bolts to fit collar over that some thread is still engaged otherwise you will not be able to screw bolt in.

Slide collar over shaft and inside the brake disc hole.



Tighten in a cross pattern, Bring all bolts up equally to 17Nm (12.54 Ft/Lbs) (caution if a single bolt is done up to tension there is a risk of the bolt breaking)

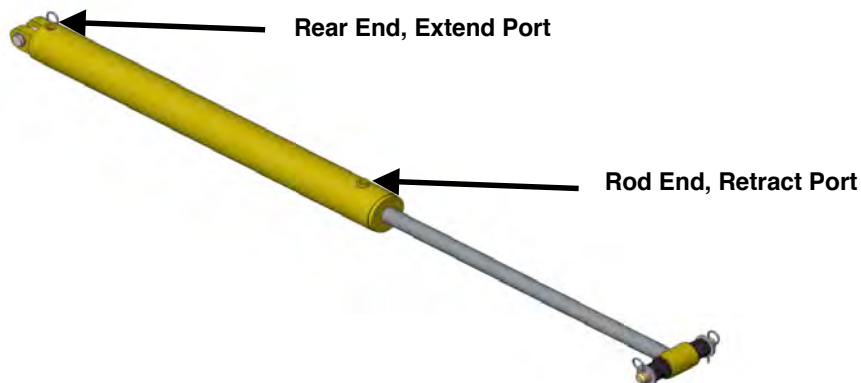
To undo, remove all bolts and gently tap collar with a hammer and collar should become loose.

Correct Hose Attachment

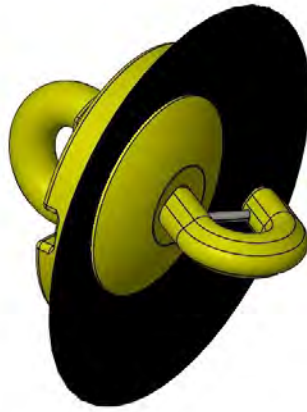
Please note that when attaching hoses to sequence valve block to check that hoses are connected to the correct port.

Ports with CE, LE or RE are extend ports (the E denotes Extend) and hoses connected to these must go to the rear end of the cylinder.

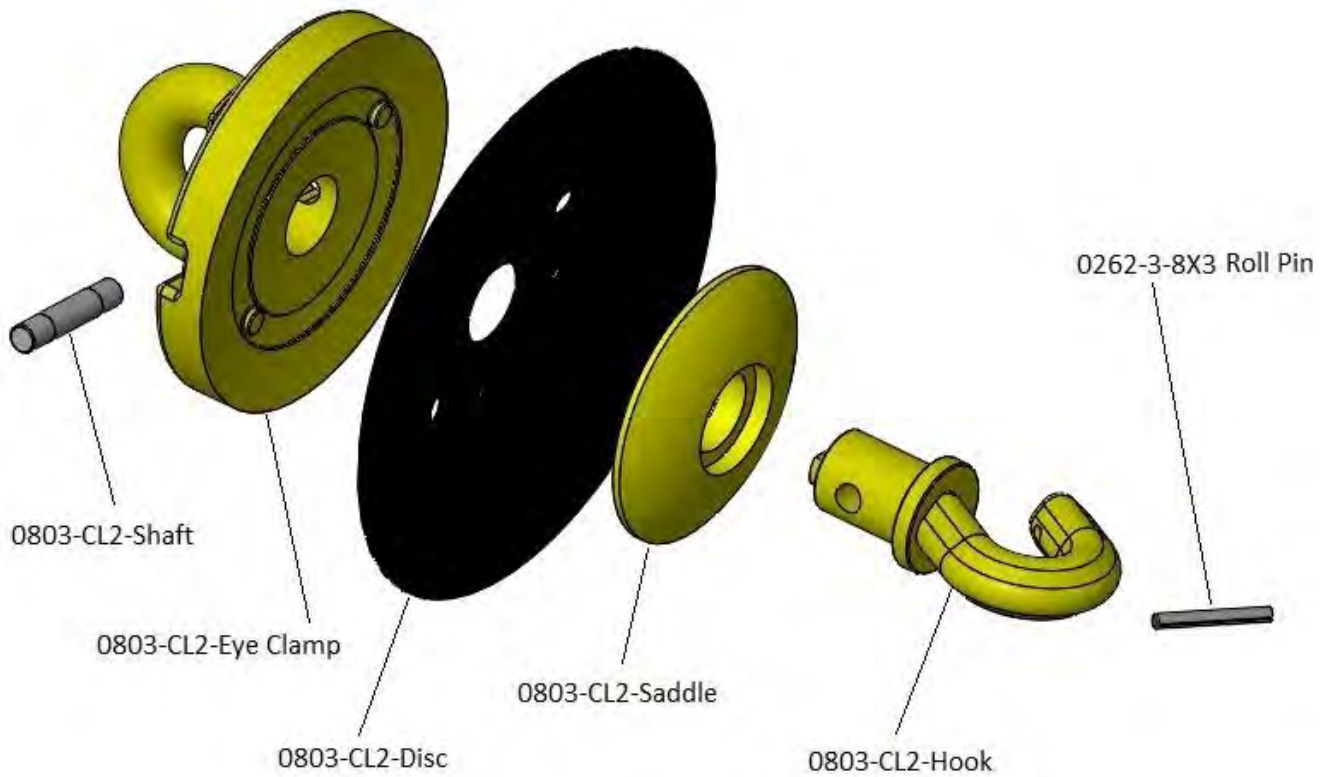
Ports with CR, LR or RR are retract ports (the R denotes Retract) and hoses connected to these must go to the rod end of the cylinder.



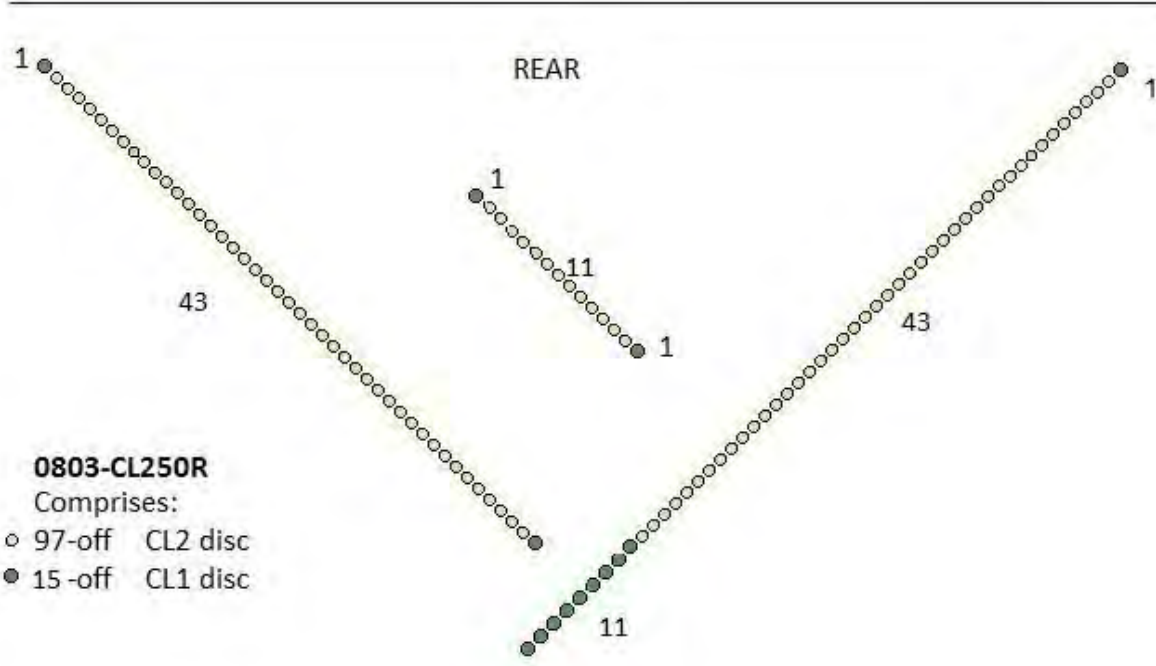
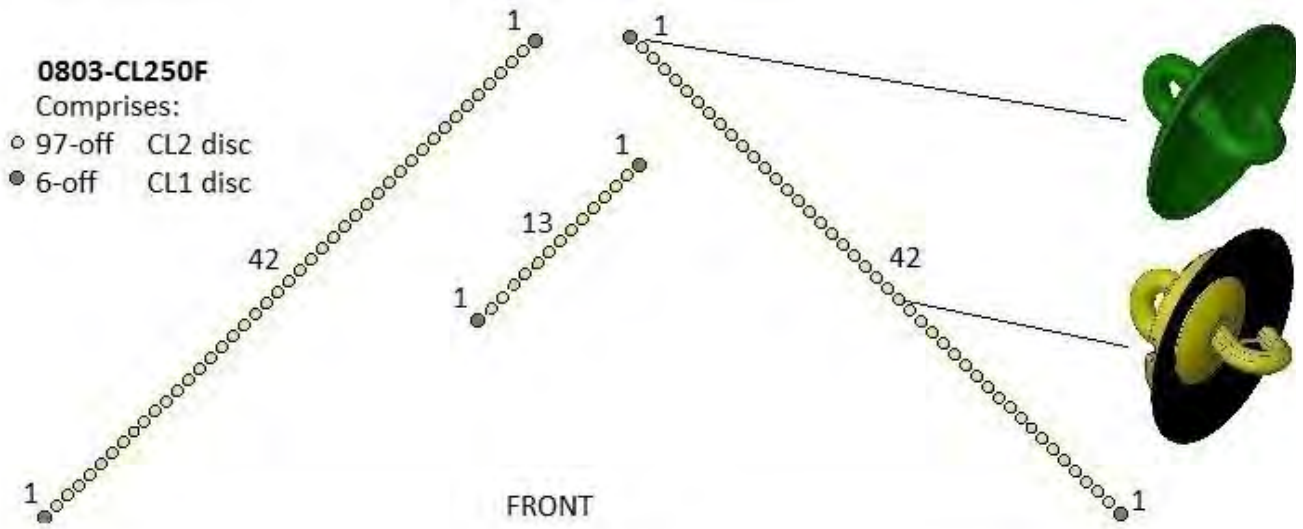
CL2 Chain Configuration - All Machines



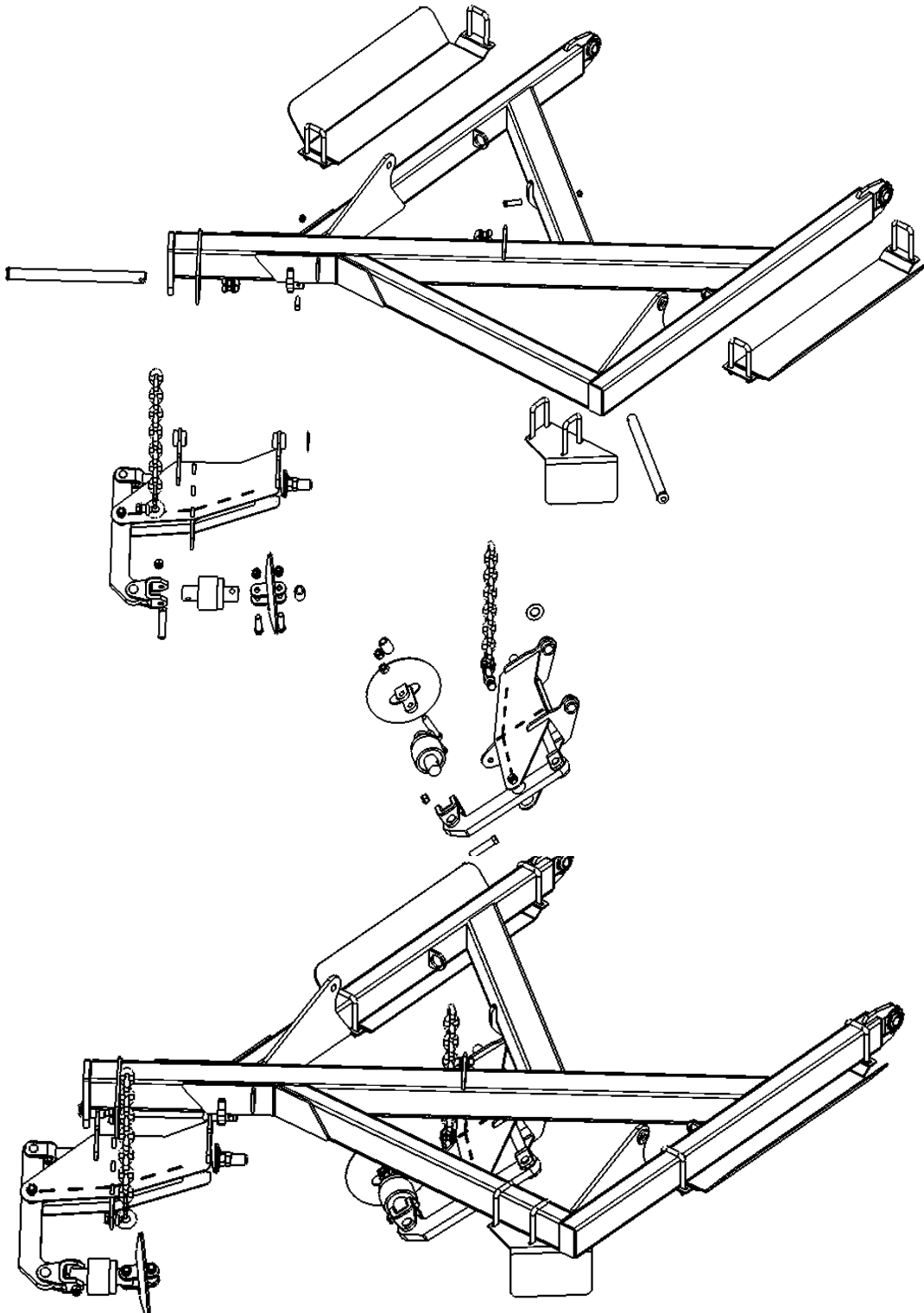
0803-CL2-Link Assembly



CL2 Chain Configuration - 50ft



Chain tensioners on rear tail

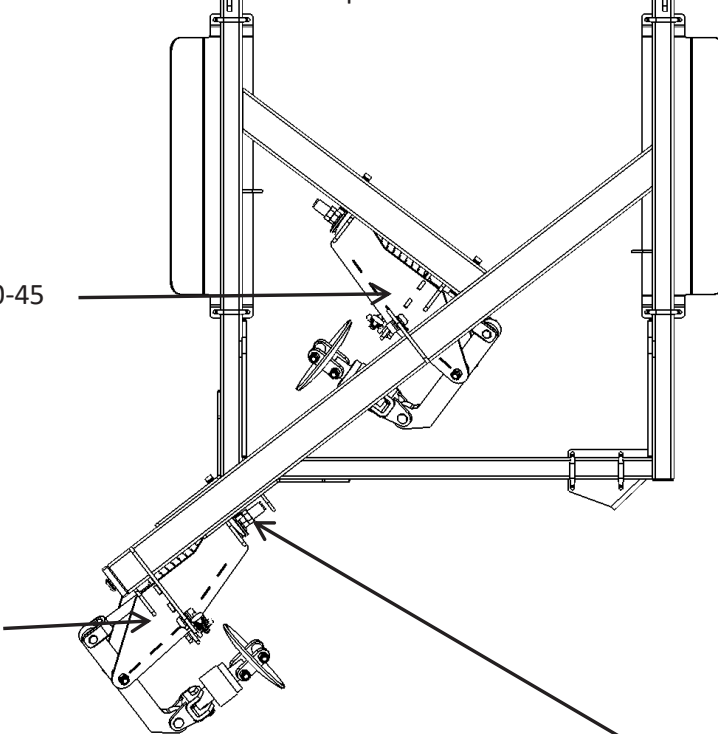


Chain tensioners on rear tail

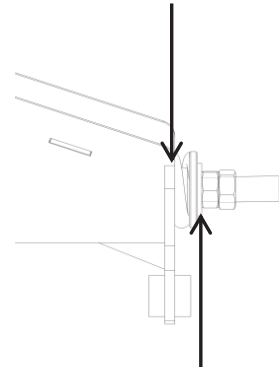
Top View of Rear tail

0810-103RA-40-45

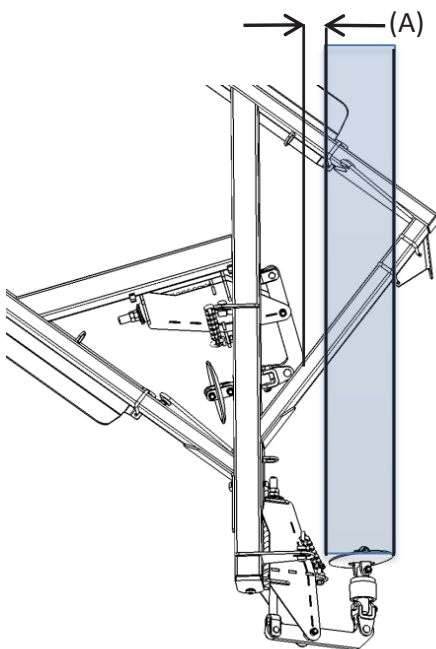
0810-103FA-40-45



Caution- Do not let arm protrude back in line with the RHR chain as it may interfere with the chain.



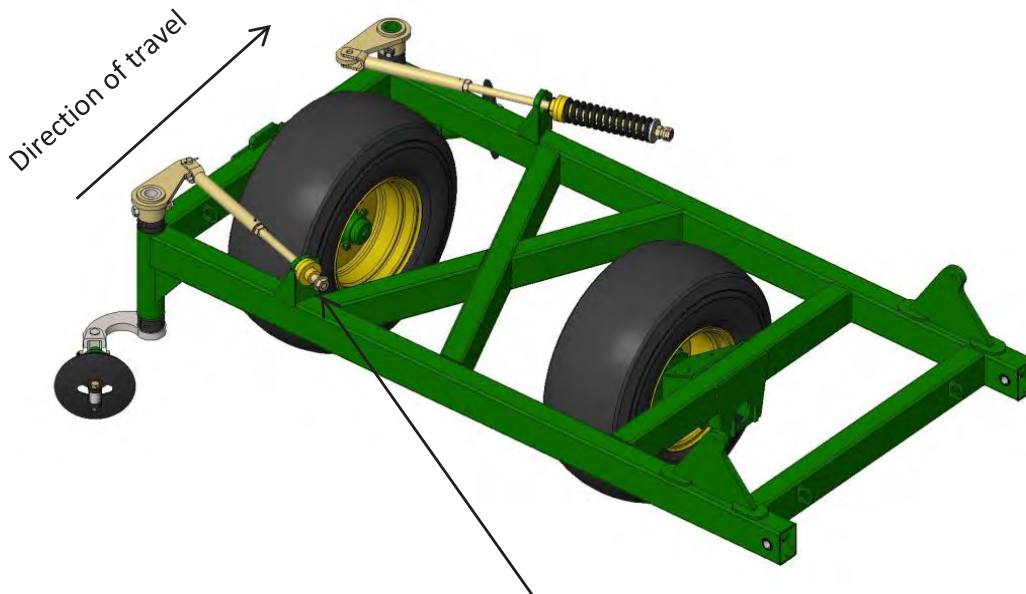
Tighten adjusting bolt until outer face of the spring retaining bush is flush with end of the tension box.



(A) -Ensure chain length and tension is correct.

-Tighten wing adjuster to provide clearance at (A)

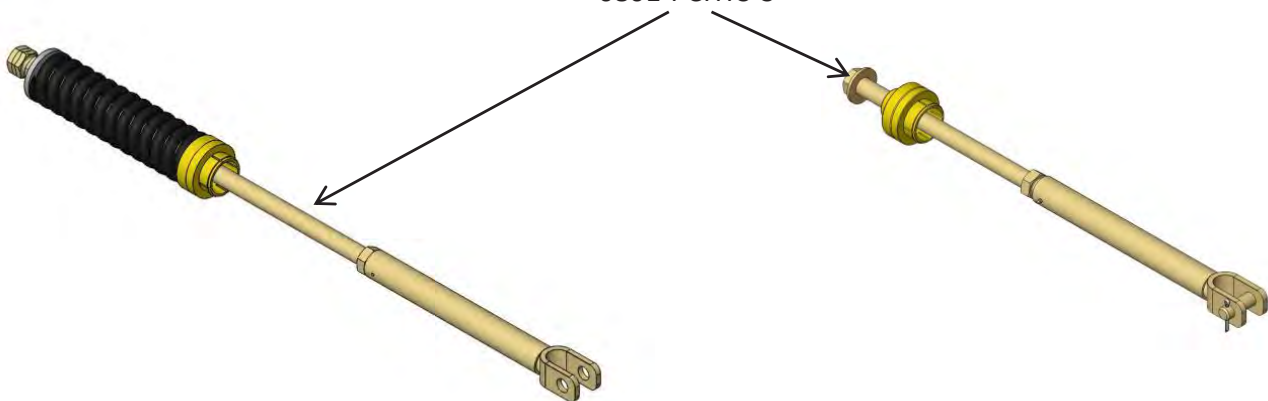
Chain tensioners on rear tail



Please note-Exchange the spring and 0801-PCHTA for Part no 0801-PCHTA-S, on rear of both outer wings only.

When fitting the Chain tension boxes on the rear tail the outer wing drop leg becomes fixed. The existing spring is used on the tension box on the rear tail.

Exchange spring and 0801-PCHTA for shorter 0801-PCHTS-S



CL2 Disc Change Procedure

This document describes a procedure for the safe changeover of CL2 discs.

NOTE: Each disc weighs 22kg (48lb). Appropriate care must be taken during manual handling

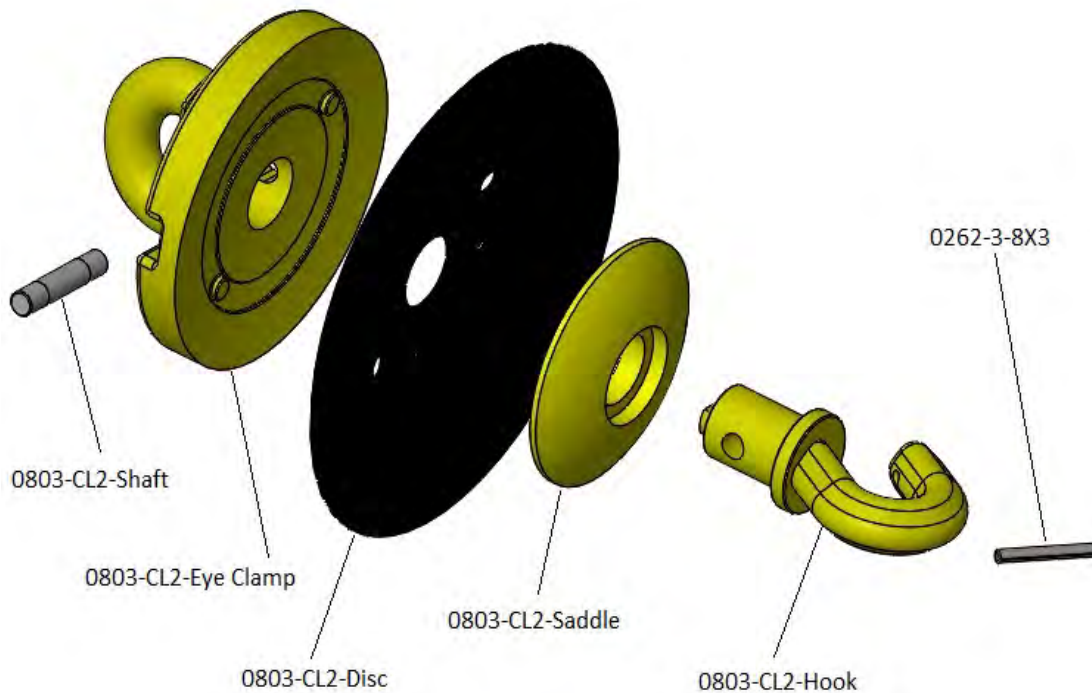


Figure 1: Exploded view of CL2 disc assembly

Changeover procedure as follows:

1. Locate press jig in press (see Figure 2 for orientation).
2. Load disc into press with Hook facing upwards - ensure that Eye Clamp and Hook are secured within the jig with pins supplied
3. Close press, applying force to Saddle (see Figure 3). DO NOT exceed pressure of 9 Tonne (19,800lb)
4. With the clamping force applied, push or tap the shaft with a hammer & drift, and remove from the CL2 Disc assembly
5. Open the press and remove the Disc from the assembly
6. Ensure that all surfaces of the castings are free from debris

CL2 Disc Change Procedure

7. Place replacement disc on to Eye Clamp, ensuring that location holes align with casting lugs
8. Close press and re-apply clamping force. Visually confirm that Hook location hole is properly aligned with Eye Clamp location hole
9. Locate pin within hole and tap gently through both castings
10. Remove clamping force, and remove CL2 assembly from jig
11. CL2 disc is now ready for use. Repeat procedure as necessary



Figure 2: CL2 disc with press jig in Open position

CL2 disc change Procedure



Figure 3: CL2 disc with press jig in Closed position

Chain Carrier Locations

