

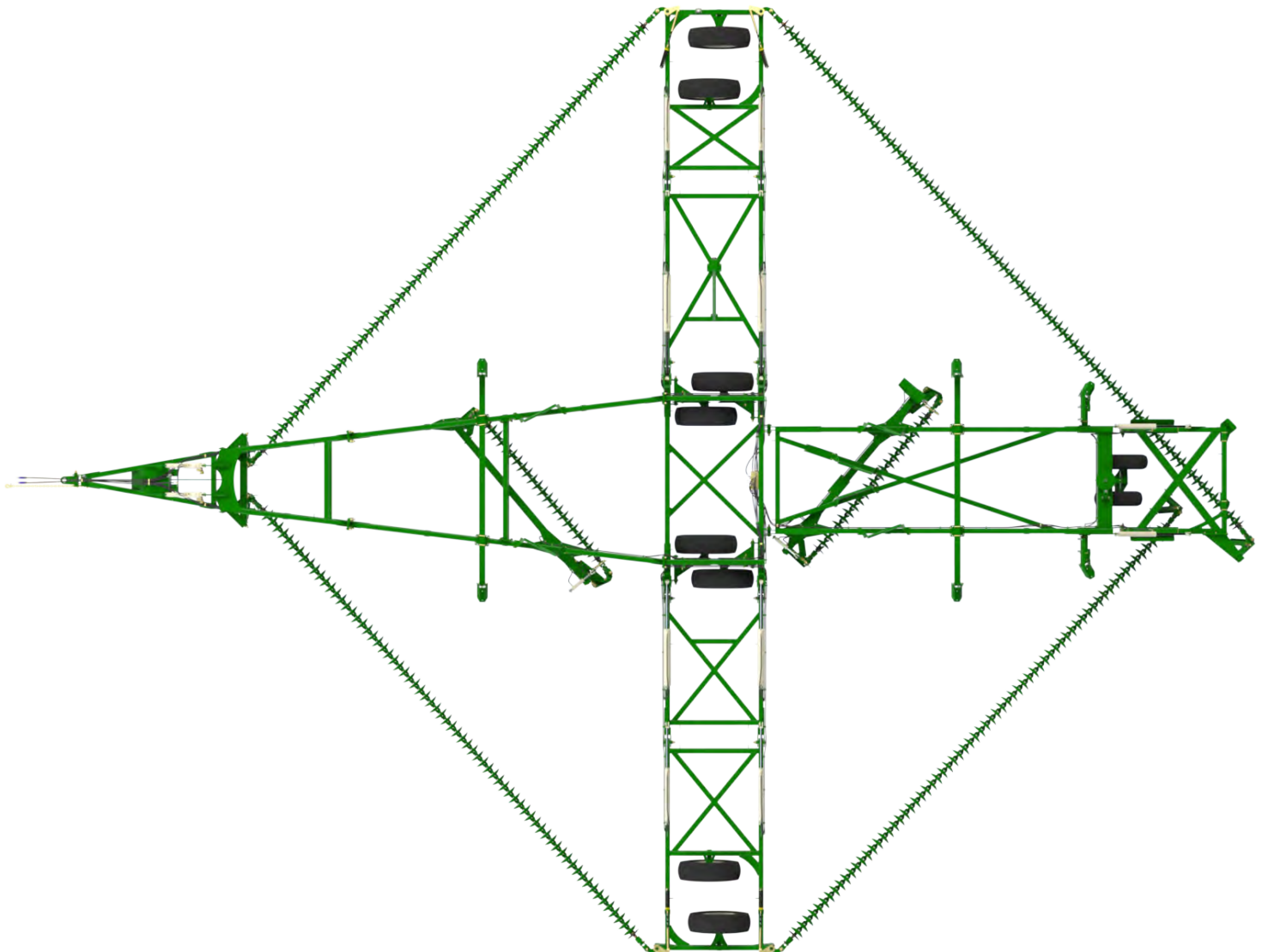
KELLY

Better Tillage. Better Tomorrow.

Assembly Manual

KELLY TILLAGE SYSTEM 6218HDX

KTAM-J-01072023



SERIAL NUMBER:

KELLY

Phone +61 8 8667 2253
Email sales@kellytillage.com
kellytillage.com

Booleroo (Head Office)
684 Kelly Road,
Booleroo Centre SA 5482

Adelaide Office
28 Greenhill Road,
Wayville SA 5034





Thank you for choosing a KELLY product.

We trust that you find the following manual clear and easy to follow. If you should require additional customer support or assistance, please do not hesitate to contact us.

Spare parts can be purchased, as required, through your local dealer or by contacting KELLY directly.

The KELLY team values your feedback. Should you have any difficulties that you wish to raise, suggestions for improvement or modifications that you feel would enhance our products we look forward to hearing from you.

Contact Us

Australia

Booleroo (Head Office)

684 Kelly Road,
Booleroo Centre SA 5482

+61 8 8667 2253

Monday - Friday
8am - 4pm ACDT

Adelaide Office

28 Greenhill Road,
Wayville SA 5034

+61 8 8667 2253

Monday - Friday
8am - 4pm ACDT

Global Locations

Eastern Canada

Leading Edge Equipment
www.leadingedgeequipment.ca

1-519-421-3223

Monday - Friday
8am - 4pm EST

Western Canada

Adair Sales & Marketing Co Inc
www.adairreps.com

1-306-773-0996

Monday - Friday
8am - 5pm CST

United States

Hood & Company

+1 417-865-2100

Monday - Friday
8am - 4pm CST

Europe

kellytillage.com

+61 8 8667 2253

Monday - Friday
8am - 4pm ACDT

Argentina

Giorgi Sa Maquinarias Agrícolas
www.giorgi.com.ar

+54 3464 493512

Monday - Friday
8am - 5pm ART

South Africa

Desmond Whitfield CC

+27 82 567 8245

Monday - Friday
8am - 4pm SAST

Contents

Section 1 - Unpacking	5
Section 2 - Assembly	6
Section 3 - Decal Application	137
Section 4 - Light Kit	158
Section 5 - Diagrams	170
Section 6 - Chain Assembly	172
Section 7 - Specifications	183
Section 8 - Operation	186

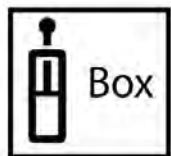
Legend



This symbol indicates which bag the relevant fasteners are in.



This symbol indicates which bag the relevant hydraulics are in.



This symbol indicates the hydraulics are in a box.



This symbol indicates which way the machine is travelling.

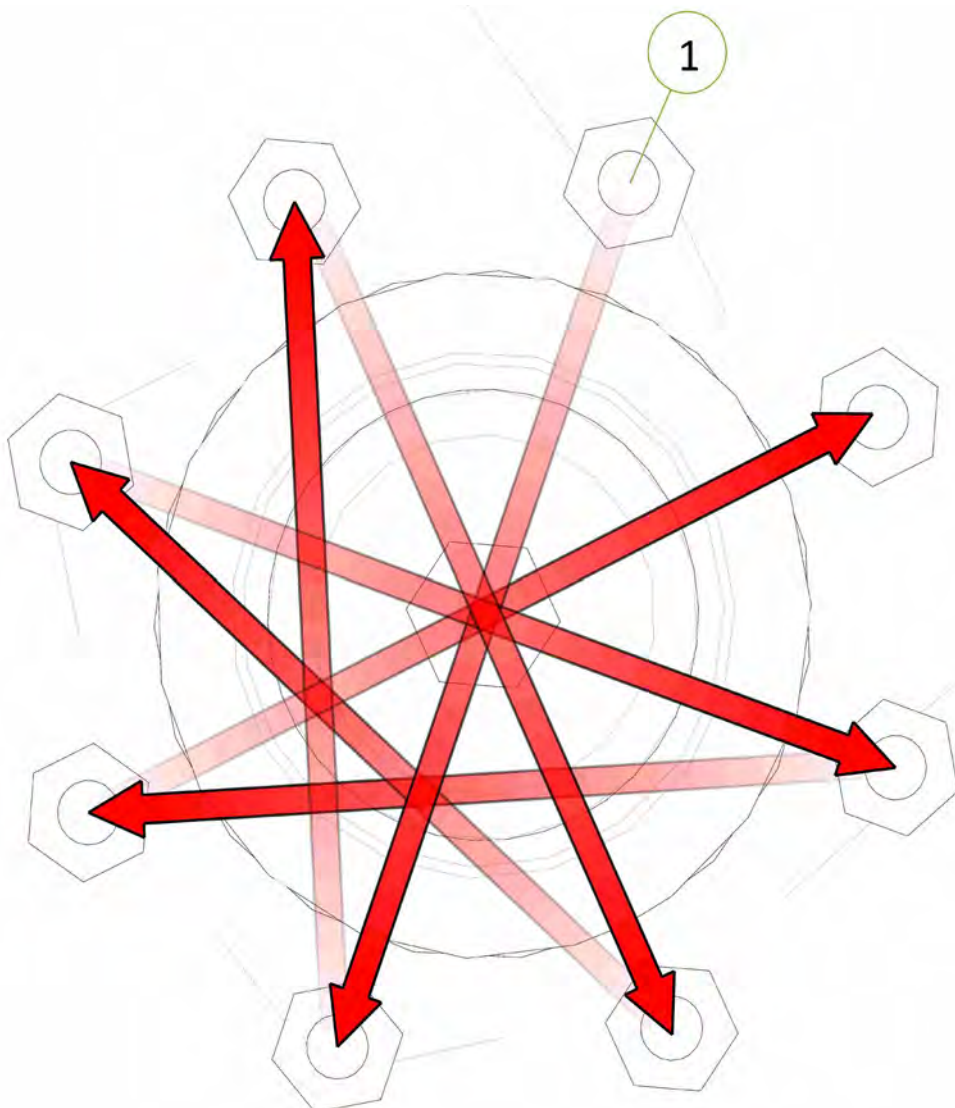
Bolt Torque Settings

Bolt Type	Wheel nut				U Bolt			Class 8.8 Bolt					Class 10.9 Bolt		Grade 8 Bolt
Bolt Size	M18	M20	1/2"	9/16"	M10	M12	M16	M10	M12	M16	M20	M24	M20	M24	1" UNF
Ft lb	255	265	90	100	22	36	55	32	48	140	190	270	300	350	849
Nm	345	360	125	140	30	50	75	44	65	190	260	370	406	475	1151

[1] When fitting a wheel & tire to a hub, tighten the wheel nuts in a star pattern to the correct tension. To achieve this choose a wheel nut & tighten, then proceed to the opposite side of the hub to the next wheel nut & tighten & so on until all wheel nuts are tight. Then repeat the procedure to check that all nuts are tight. Do not use impact tools to tighten wheel nuts. For a guide to the correct tension of the wheel nuts please use the appropriate tension for your size wheel nuts from the Bolt Torque Settings table.

Torque values are for dry threads and surfaces however it is permissible to apply a small amount of anti corrosive oil to the threads.

Verification and recording of the prescribed torque settings in the table above is the responsibility of the assembler and it shall be documented in accordance with their approved Quality Assurance system



Section 1 - Unpacking



CAUTION

Before cutting straps attach slings or chains and take the weight of the frames to avoid them slipping or falling and causing injury.



CAUTION

Wear eye and hand protection when cutting straps. Sharp edges are exposed as straps separate and may cause injury.



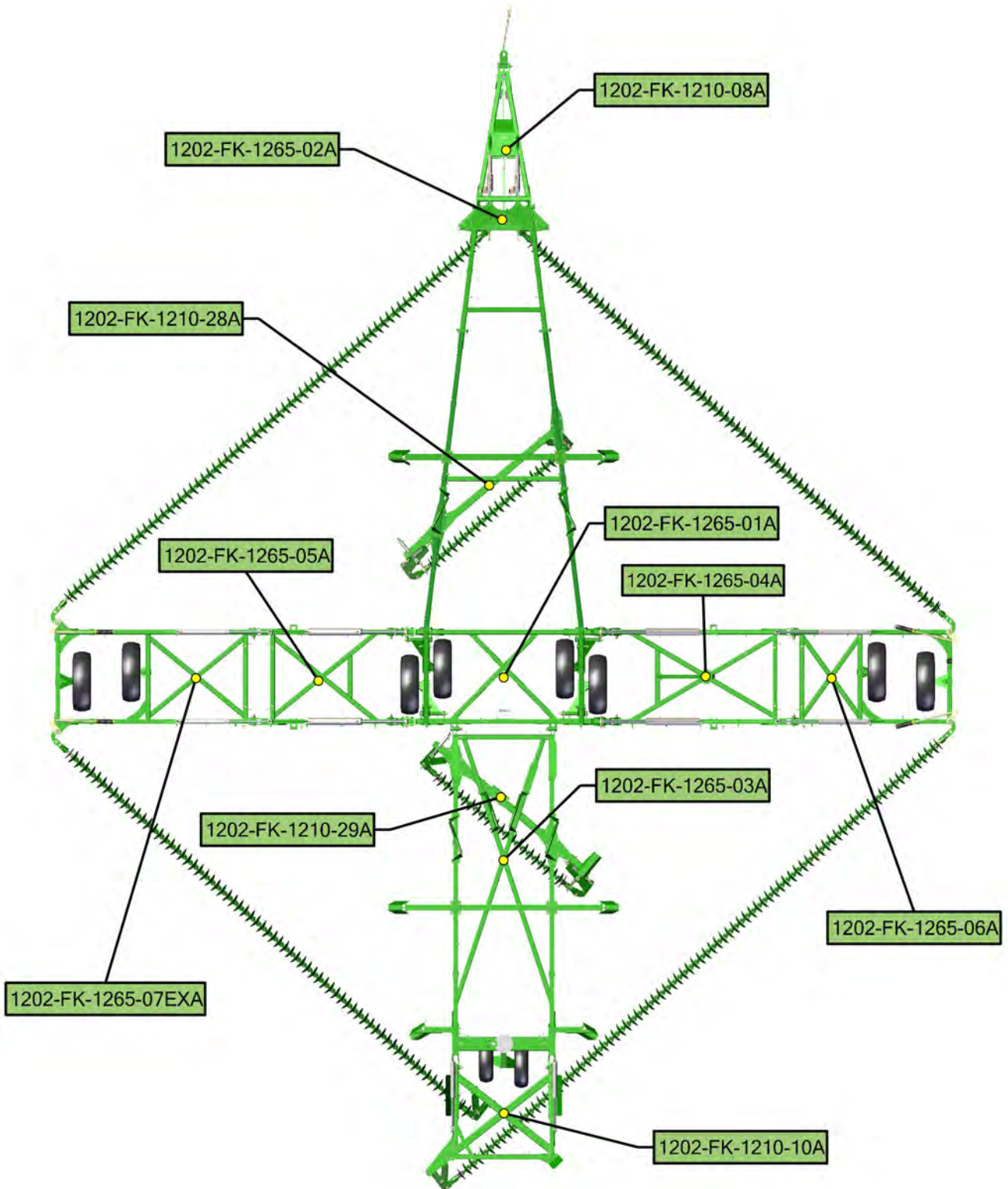
CAUTION

To avoid falling or moving components, before cutting straps attach slings or chains to individual pieces and only cut the straps holding the piece to be lifted.

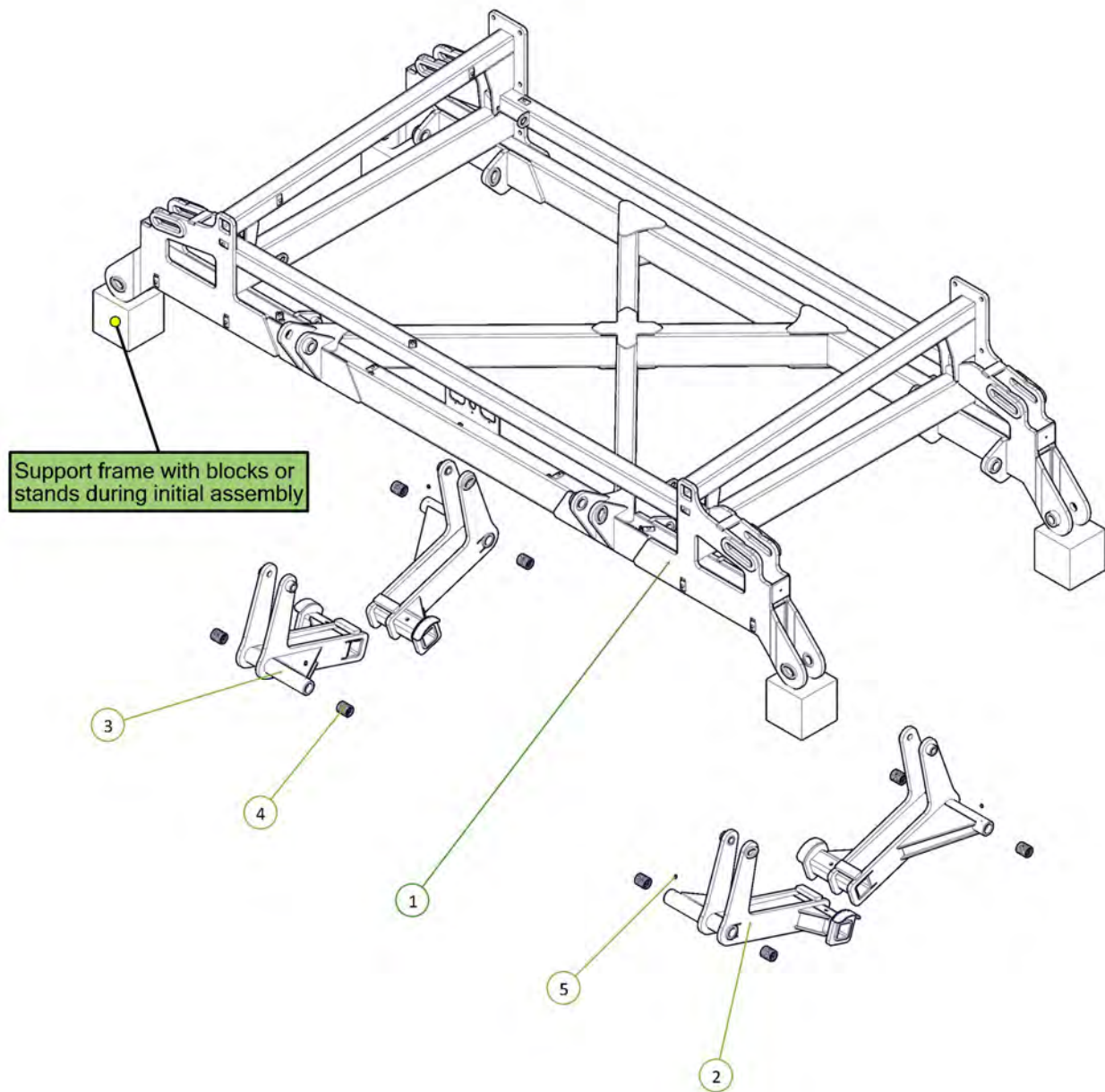
- Remove boxes from rear of container one at a time using a forklift truck. Each box weighs approximately 5512 lbs (2500 kg)
- Cut straps holding bundles and separate parts and place in assembly area
- Once all parts have been identified, the machine is ready for assembly
- Identify parts for each machine by serial no. or description and separate. Open parts box and check that all parts are accounted for against checklist
- Read assembly instructions before proceeding.



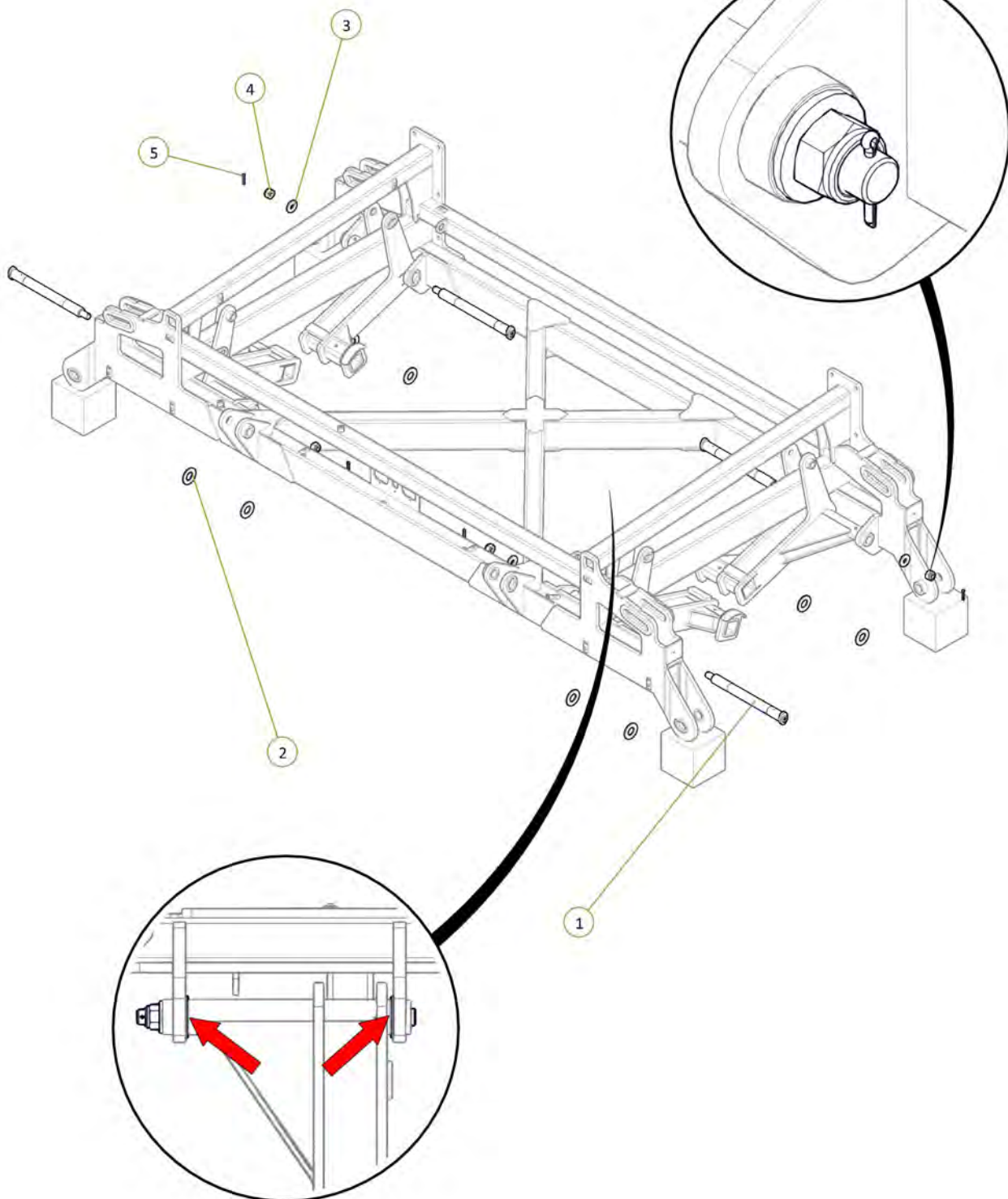
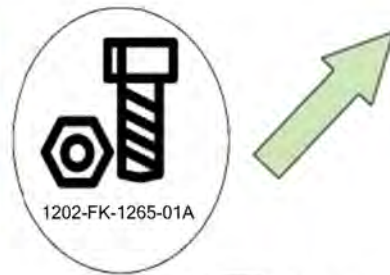
Section 2 - Assembly



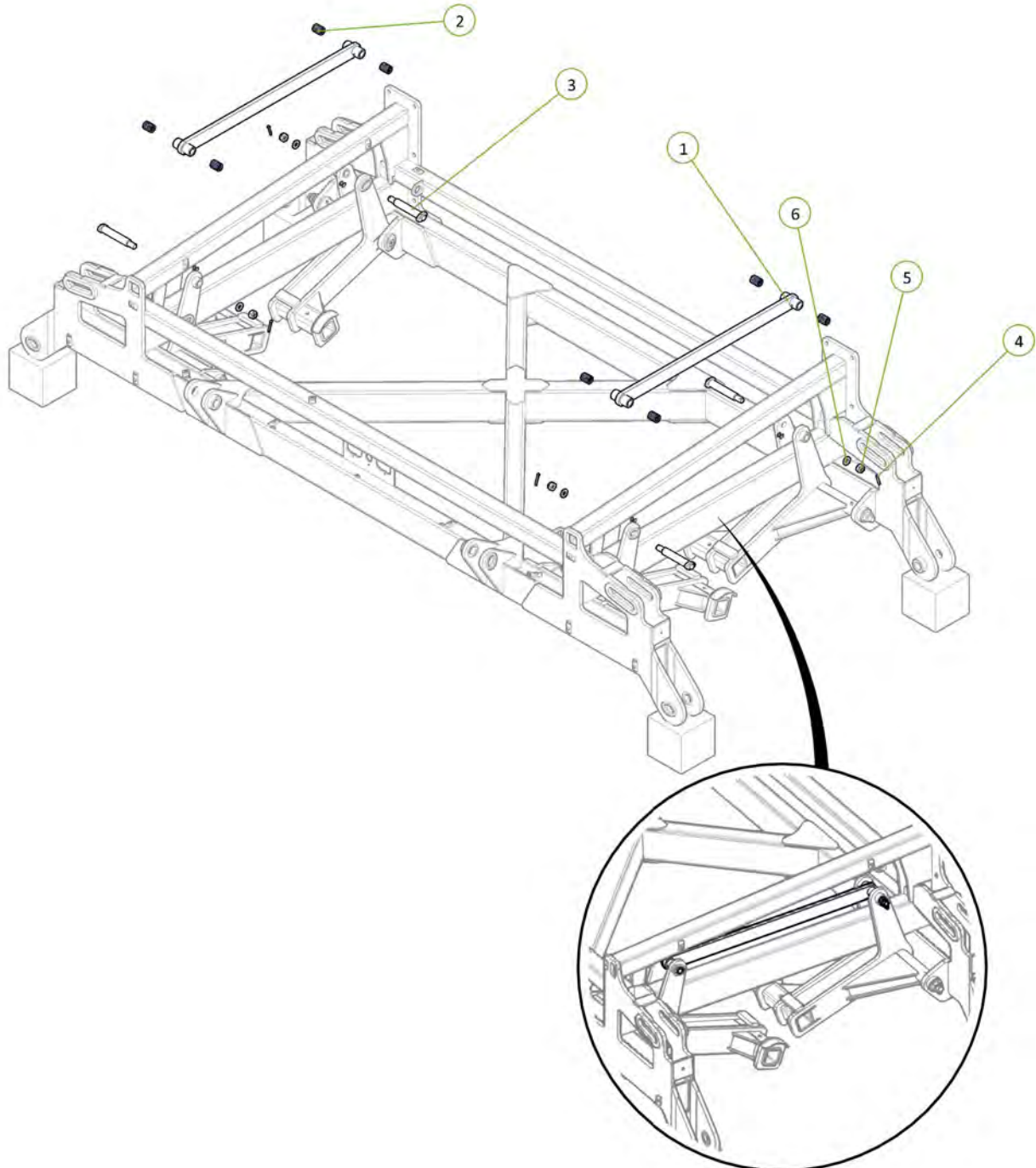
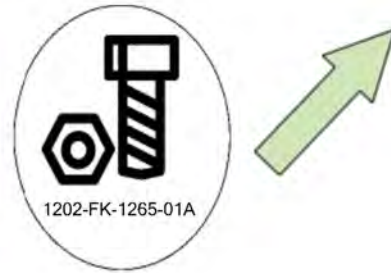
Item No.	Description	Qty	Number
1	6218 HDX Centre Frame	1	1265-01-2
2	RH Walking Axle Arm	2	1210-50
3	LH Walking Axle Arm	2	1210-51
4	50 ID x 60mm DX Bush	8	0113-MB5060DX
5	Grease Nipple 1/4" UNF	4	0181-GN1-4



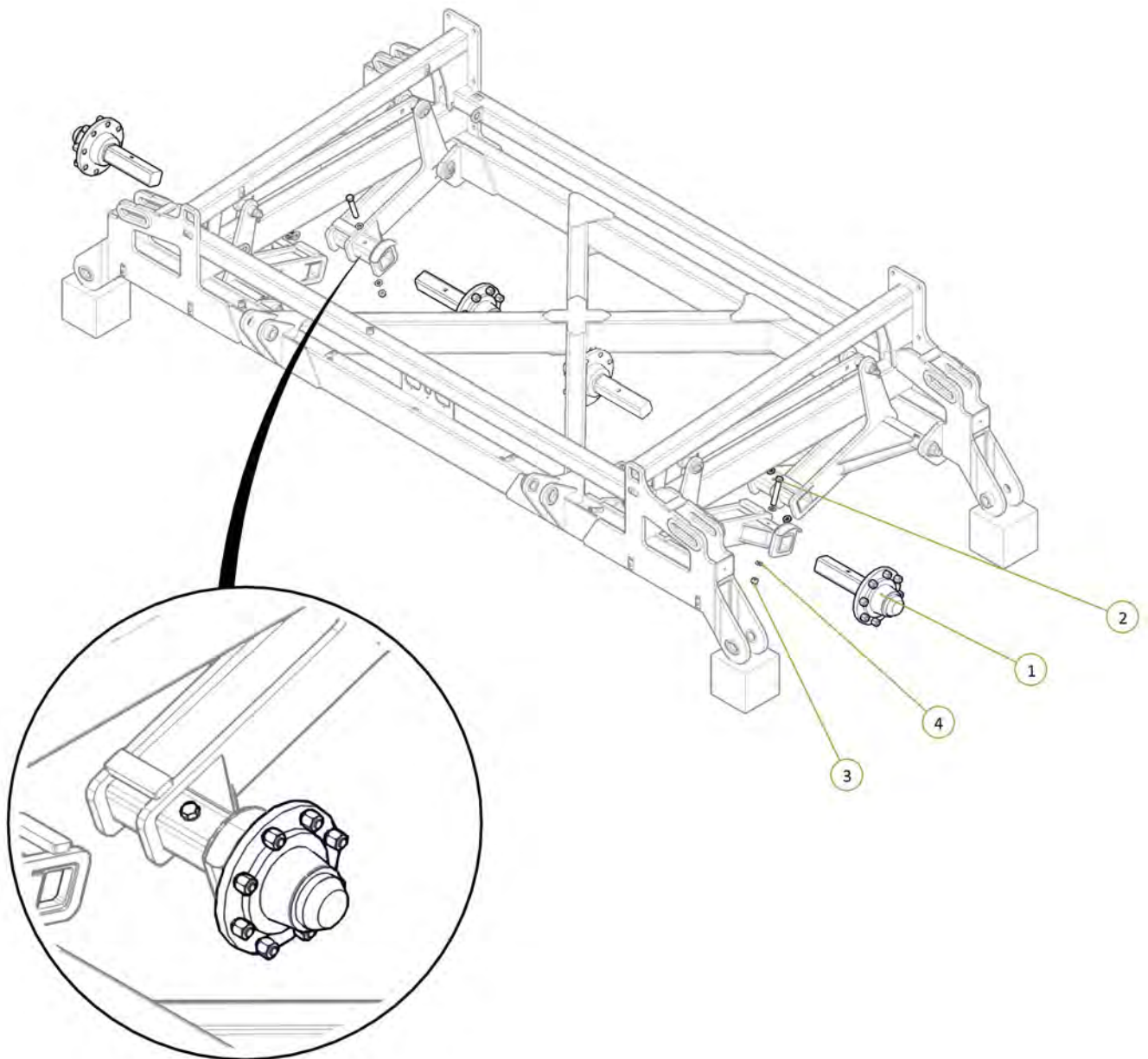
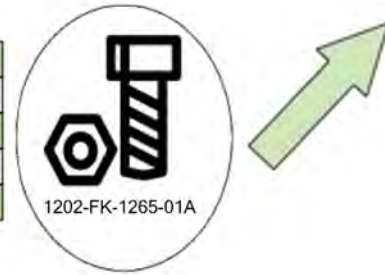
Item No.	Description	Qty	Number
1	Oval Head 50mm Long Pivot Pin A	4	1202-08A
2	Washer High Tensile 2"	8	0232-HT2
3	50mm Pivot Pin Retaining Washer	4	1200-60
4	Nyloc Nut M30	4	0221-NYL30
5	Cotter Pin M6 x 50mm	4	0261-PINC650



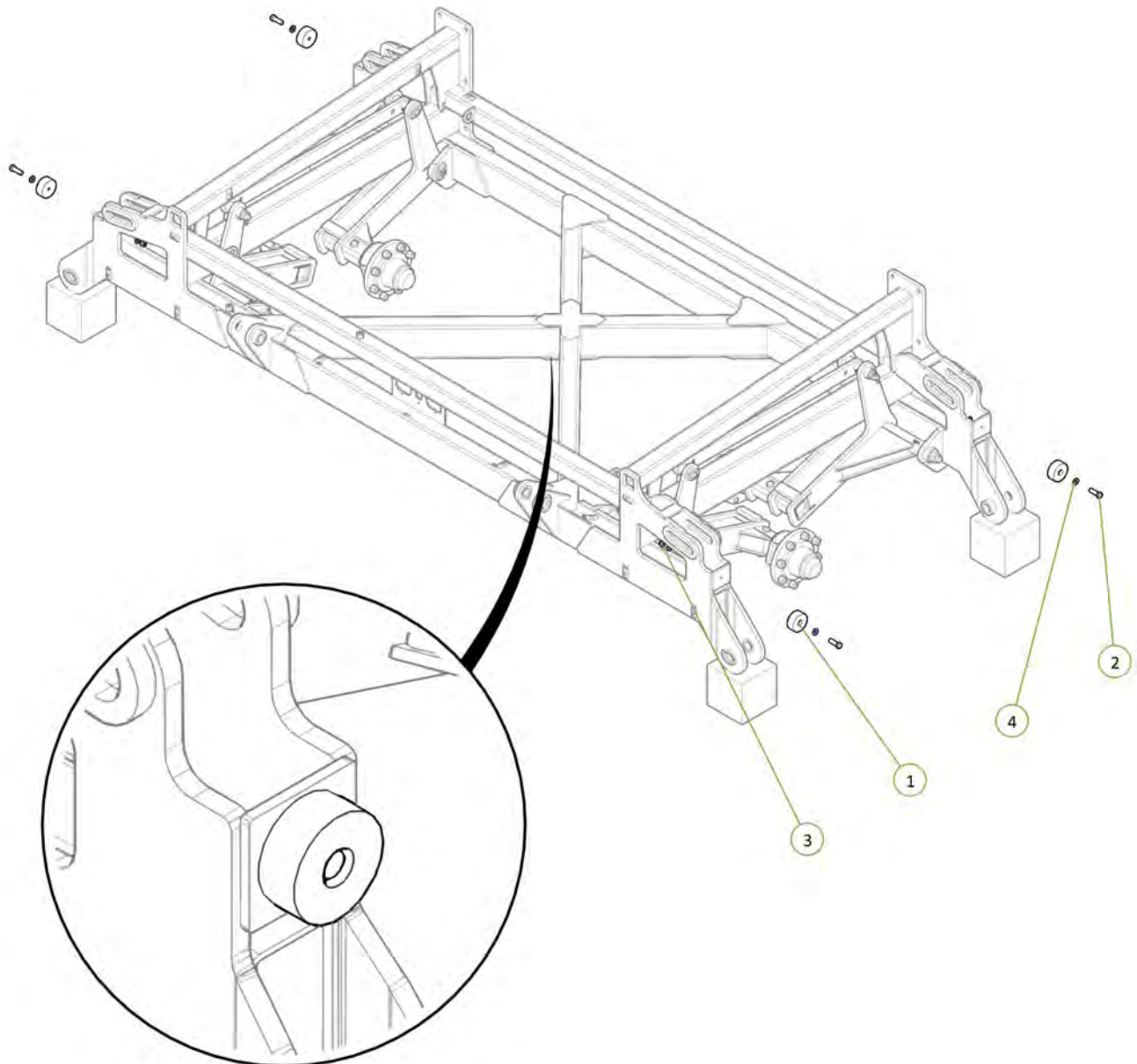
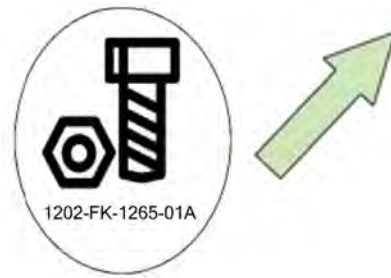
Item No.	Description	Qty	Number
1	Walking Axle Linkage	2	1210-52
2	35 ID x 50mm DX Bush	8	0113-MB3550DX
3	Oval Head 35mm Pivot Pin	4	1202-09
4	Cotter Pin M6 x 50mm	4	0261-PINC650
5	Nyloc Nut M24	4	0221-NYL24
6	Washer Flat M24	4	0231-F24



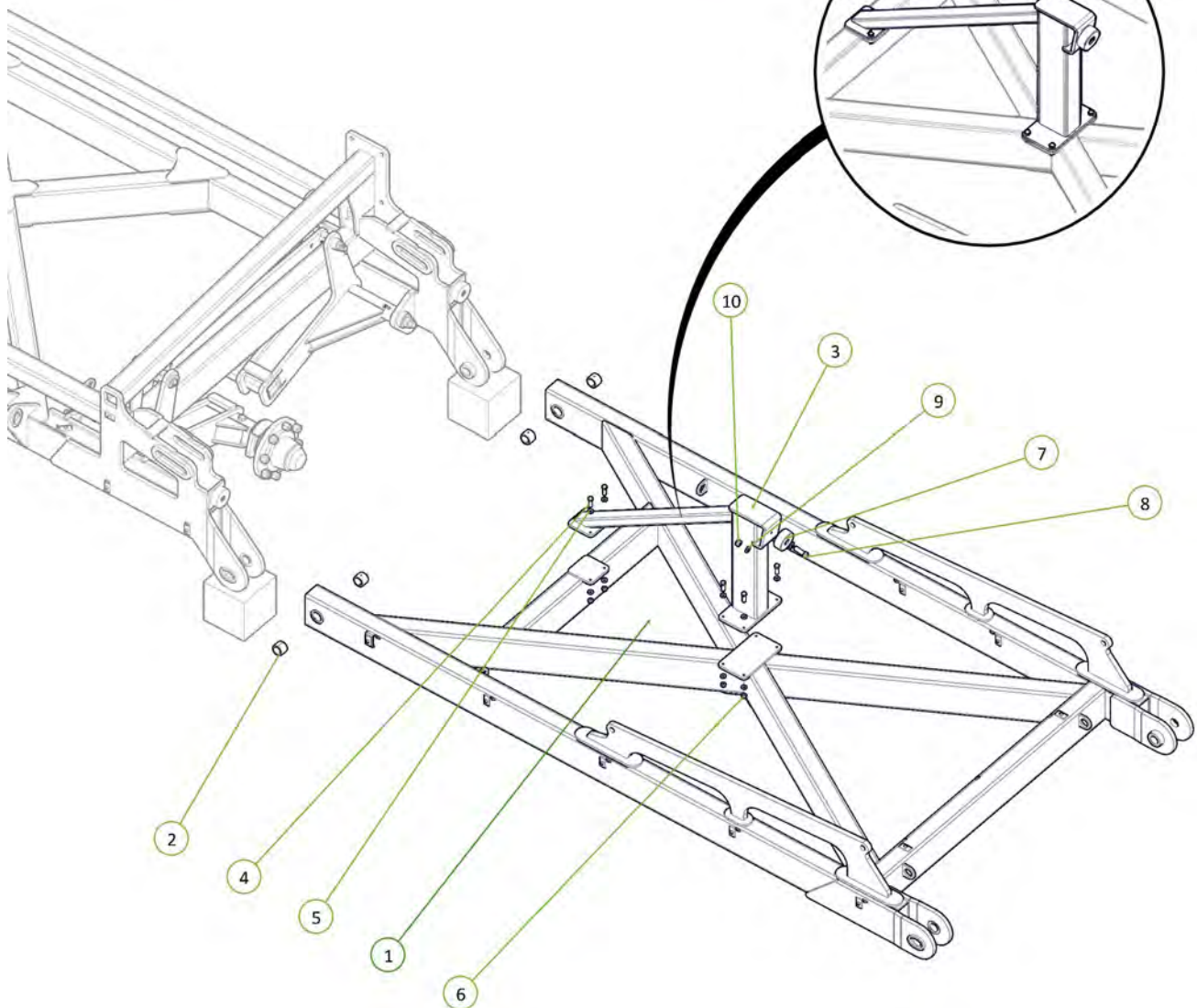
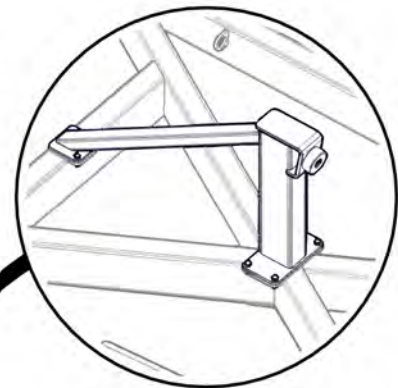
Item No.	Description	Qty	Number
1	90 Series Stub Axle (Stub and Hub Complete)	4	0733-90
2	M20 x 140 Class 8.8 ZP Bolt	4	0211-20140
3	Nyloc Nut M20	4	0221-NYL20
4	Washer Flat M20	8	0231-F20



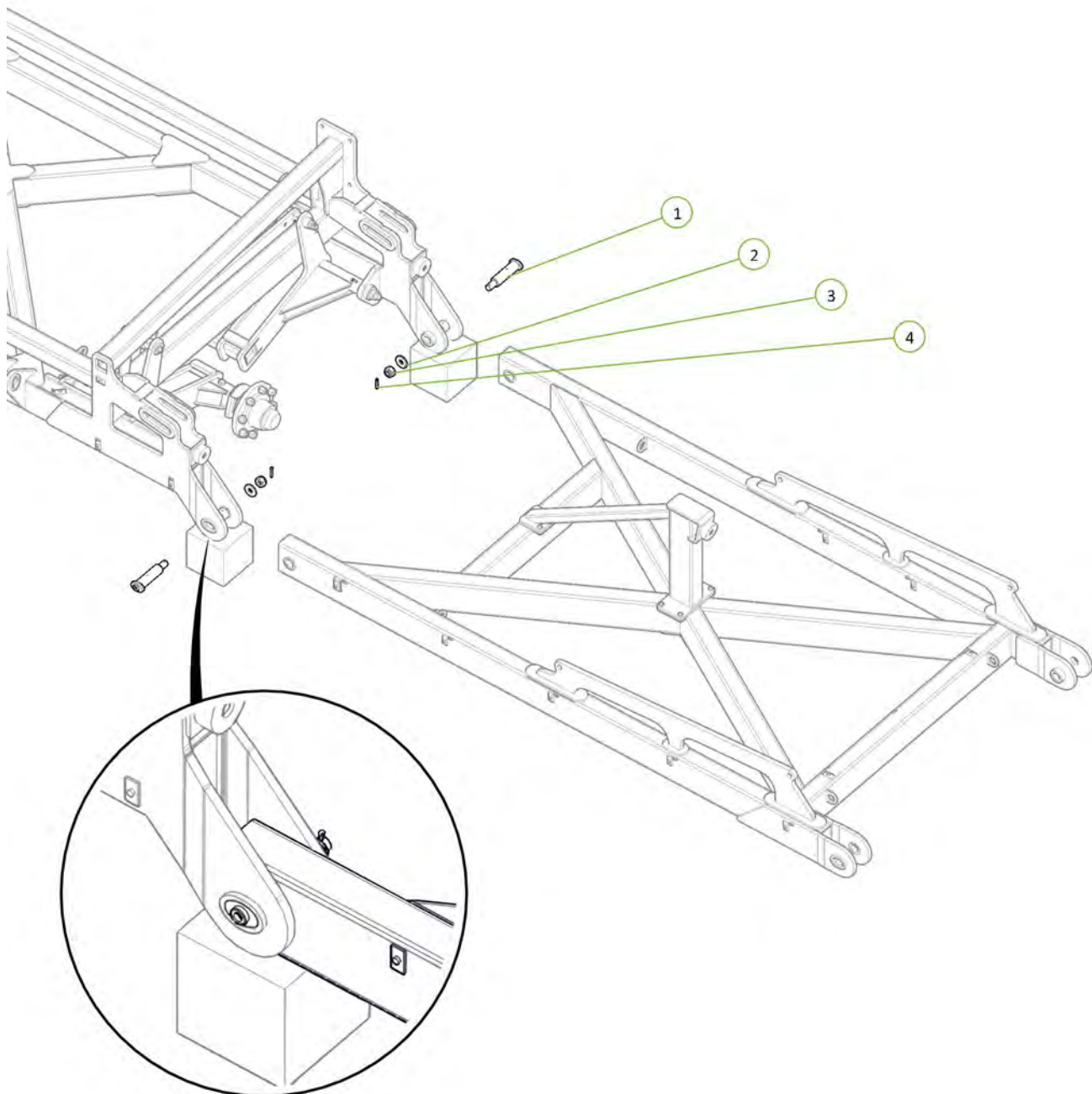
Item No.	Description	Qty	Number
1	Wing Folding Buffer	4	1201-12
2	M16 x 60 Class 8.8 ZP Bolt	4	0211-1660
3	Nyloc Nut M16	4	0221-NYL16
4	Washer Flat M16	8	0231-F16



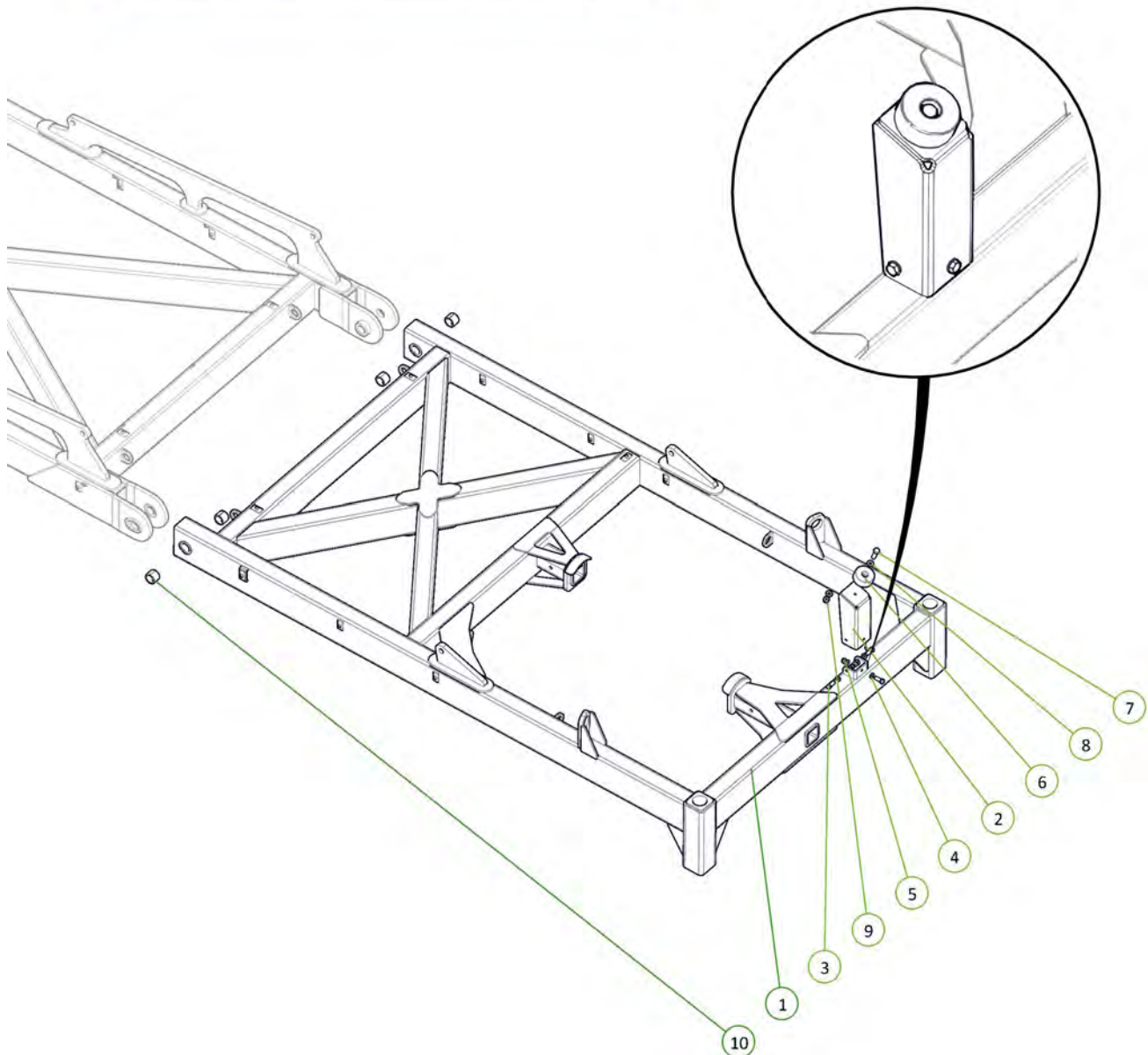
Item No.	Description	Qty	Number
1	6218HDX Right Hand Inner Wing	1	1265-04-2
2	50 ID x 40mm DX Bush	4	0113-MB5040DX
3	6218HDX Inner Wing Post	1	1265-04P
4	M12 x 45 Class 8.8 ZP Bolt	6	0211-1245
5	Washer Flat M12	12	0231-F12
6	Nyloc Nut M12	6	0221-NYL12
7	Nylon Wing Folding Buffer	1	1201-52
8	M16 x 60 Class 8.8 ZP Bolt	1	0211-1660
9	Washer Flat M16	2	0231-F16
10	Nyloc Nut M16	1	0221-NYL16



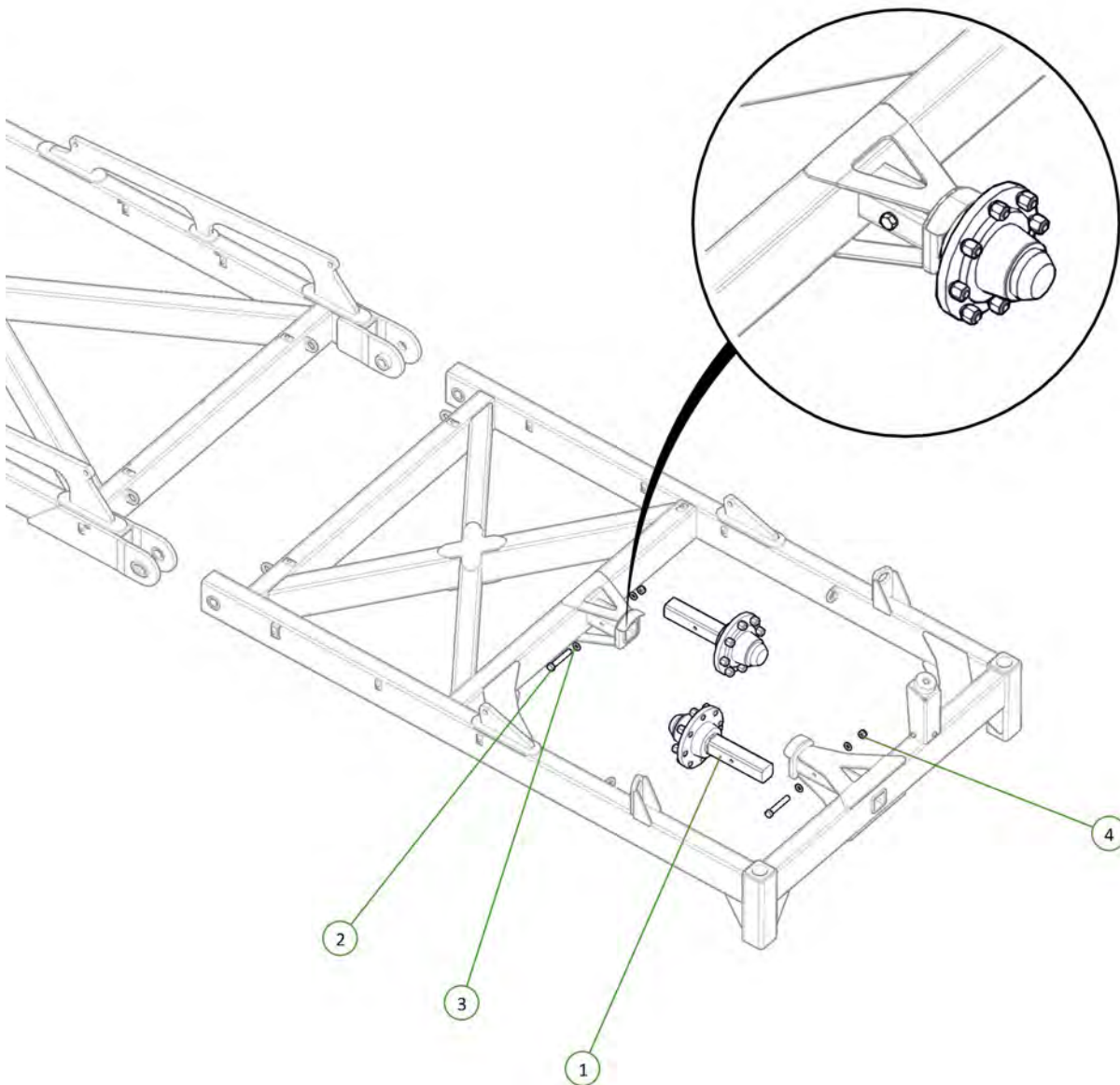
Item No.	Description	Qty	Number
1	Oval Head 50mm Short Pivot Pin Assembly	2	1202-06A
2	50mm Pivot Pin Retaining Washer	2	1200-60
3	Nyloc Nut M30	2	0221-NYL30
4	Cotter Pin M6 x 50mm	2	0261-PINC650



Item No.	Description	Qty	Number
1	6218HDX Right Hand Outer Wing	1	1265-06-2
2	62HDX Outer Wing Post	1	1210-154
3	M12 x 40 Class 8.8 ZP Bolt	3	0211-1240
4	Washer Flat M12	6	0231-F12
5	Nyloc Nut M12	3	0221-NYL12
6	Nylon Wing Folding Buffer	1	1201-52
7	M16 x 55 Class 8.8 ZP Bolt	1	0211-1655
8	Washer Flat M16	2	0231-F16
9	Nyloc Nut M16	1	0221-NYL16
10	50 ID x 40mm DX Bush	4	0113-MB5040DX

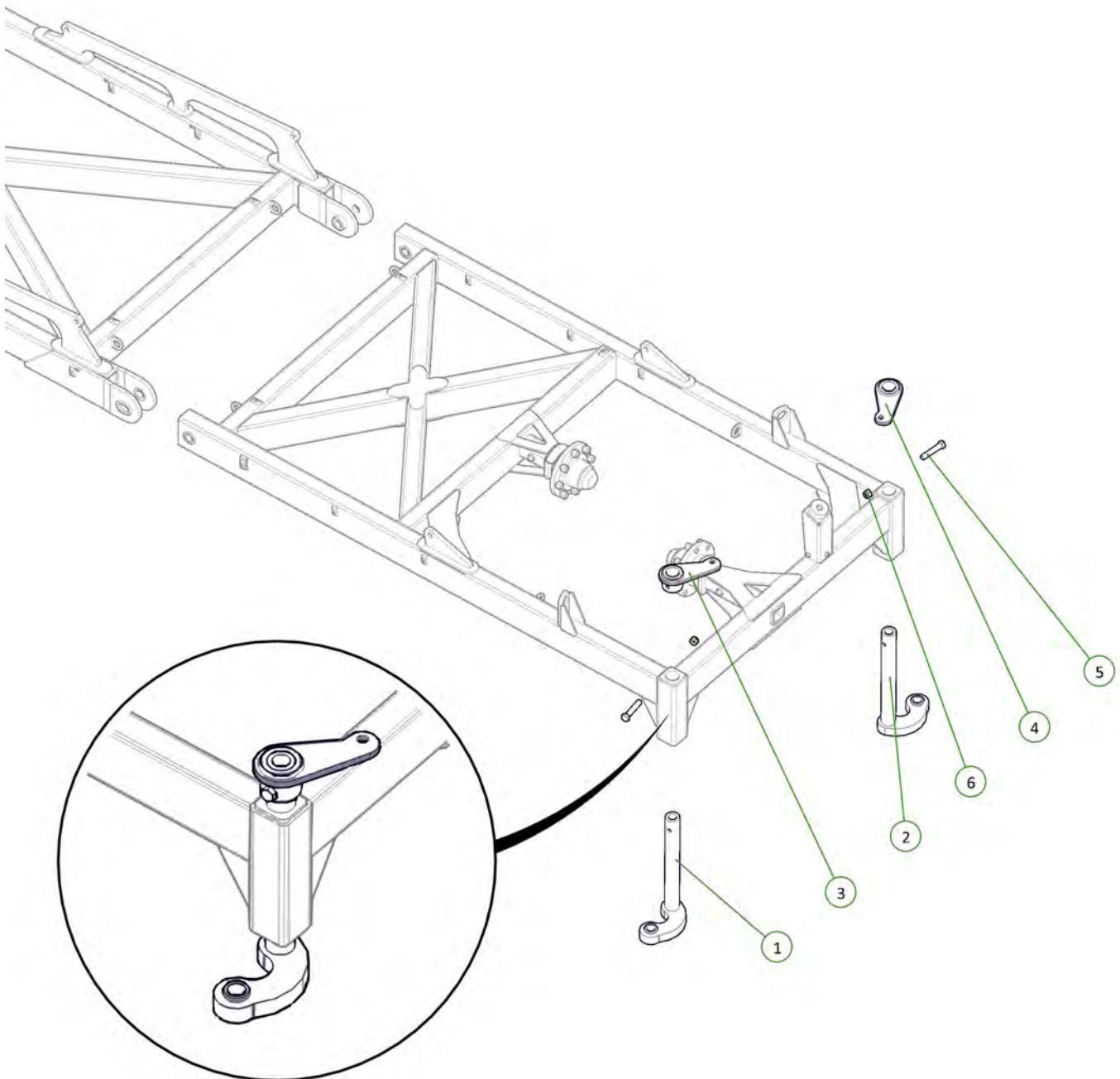


Item No.	Description	Qty	Number
1	90 Series Stub Axle (Stub and Hub Complete)	2	0733-90
2	M20 x 140 Class 8.8 ZP Bolt	2	0211-20140
3	Washer Flat M20	4	0231-F20
4	Nyloc Nut M20	2	0221-NYL20

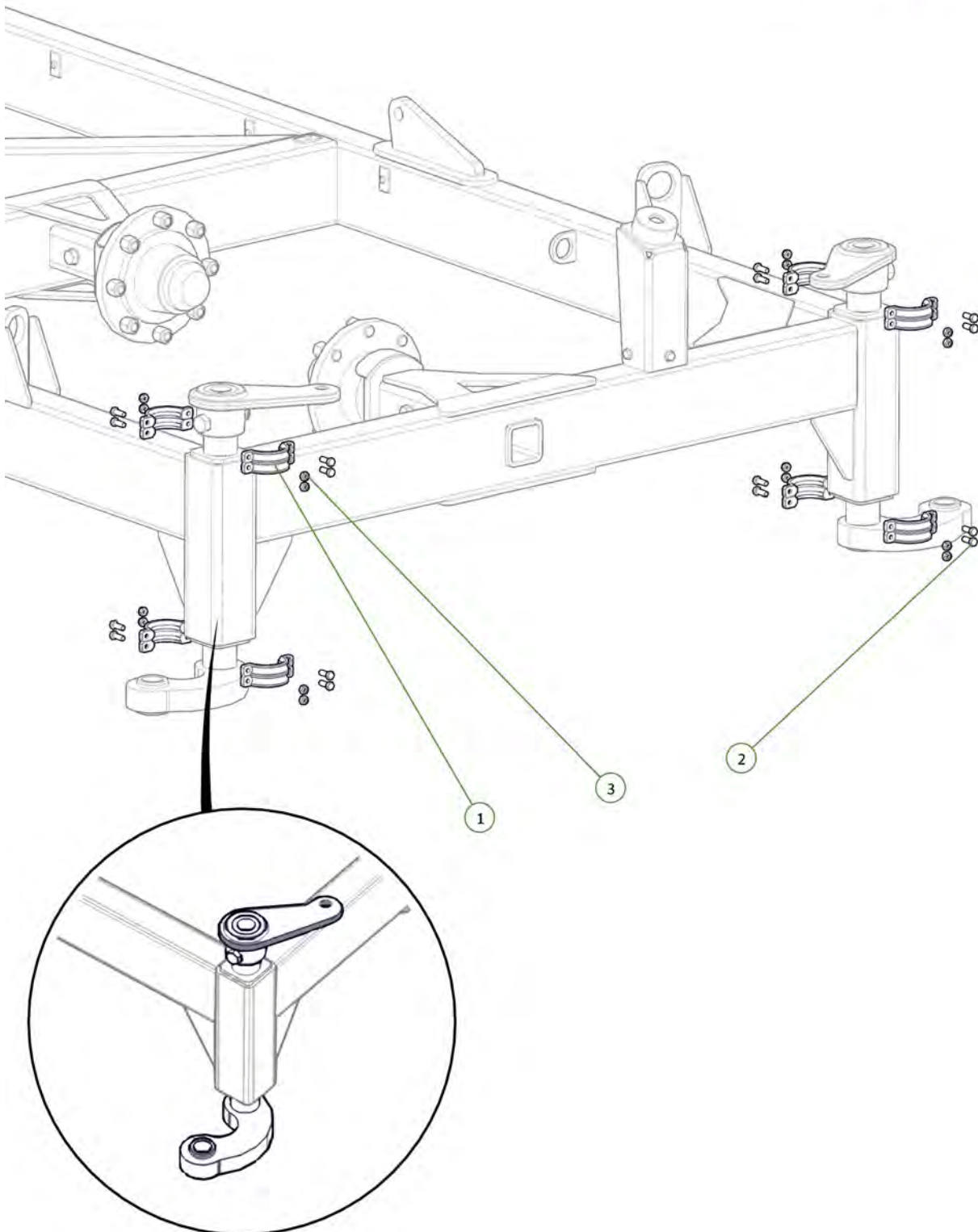


Dual Outer Wing Wheel Option Shown

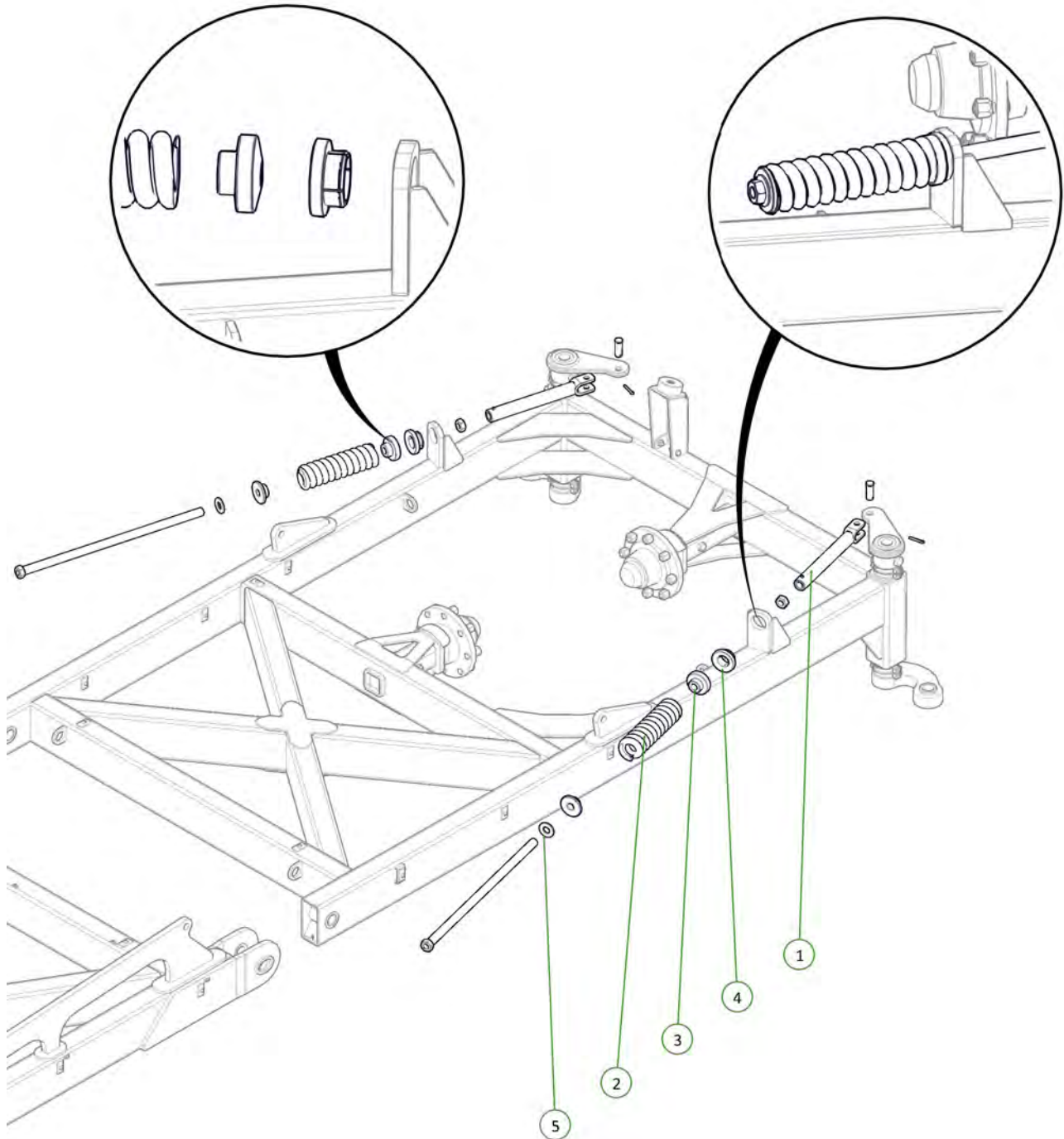
Item No.	Description	Qty	Number
1	Heavy Duty Left Hand Drop Leg	1	1210-24
2	Heavy Duty Right Hand Drop Leg	1	1210-25
3	LH Chain Adjusting Lug	1	0810-26
4	RH Chain Adjusting Lug	1	0810-27
5	M24 x 140 Class 8.8 ZP Bolt	2	0211-24140
6	Nyloc Nut M24	2	00221-NYL24



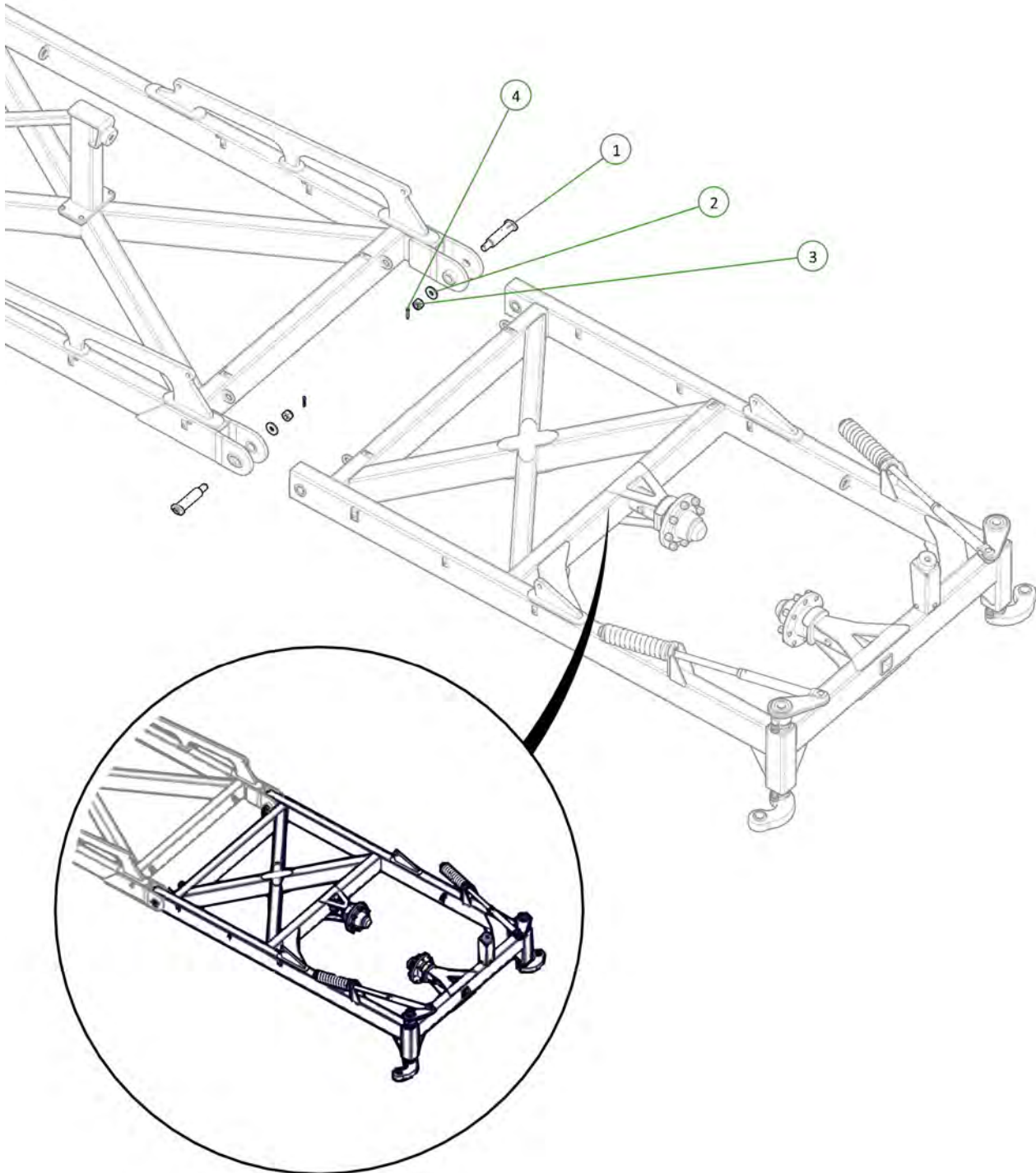
Item No.	Description	Qty	Number
1	Cast 25mm Spacing Half	16	0801-CS25
2	M10 x 30 Class 8.8 ZP Bolt	16	0211-1030
3	Nyloc Nut M10	16	0221-NYL10



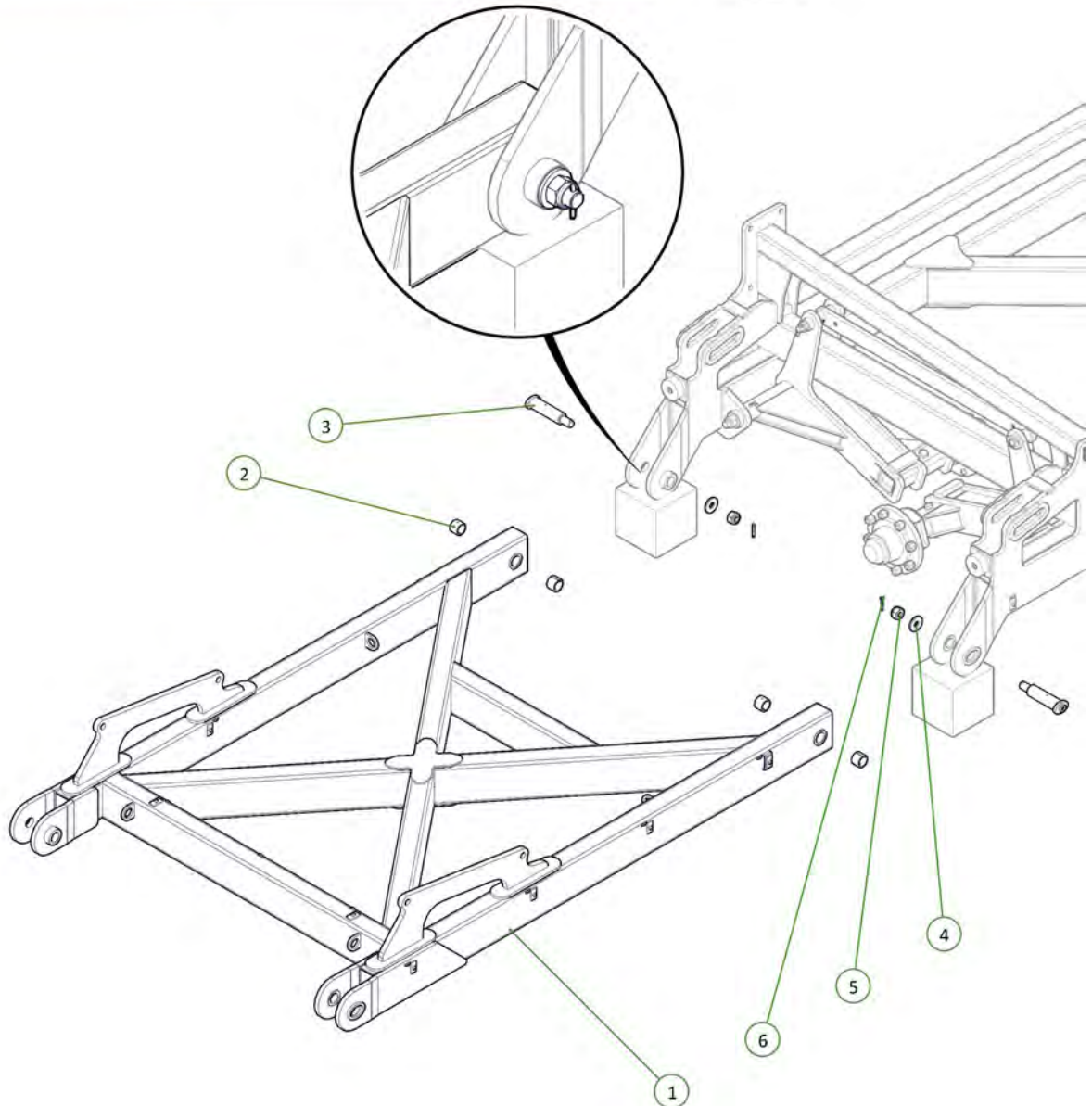
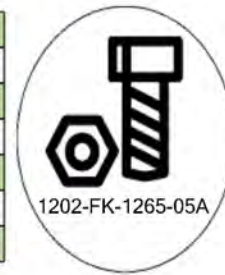
Item No.	Description	Qty	Number
1	Chain Tension Adjustor	2	0802-PCHTA
2	Heavy Duty Coil Spring 24mm	2	0801-K2455350
3	Tensioner Cup - Male	2	0801-KE0805-3
4	Tensioner Cup - Female	2	0801-KE0805-4
5	Washer High Tensile 1 1/4"	2	0232-HT11-4



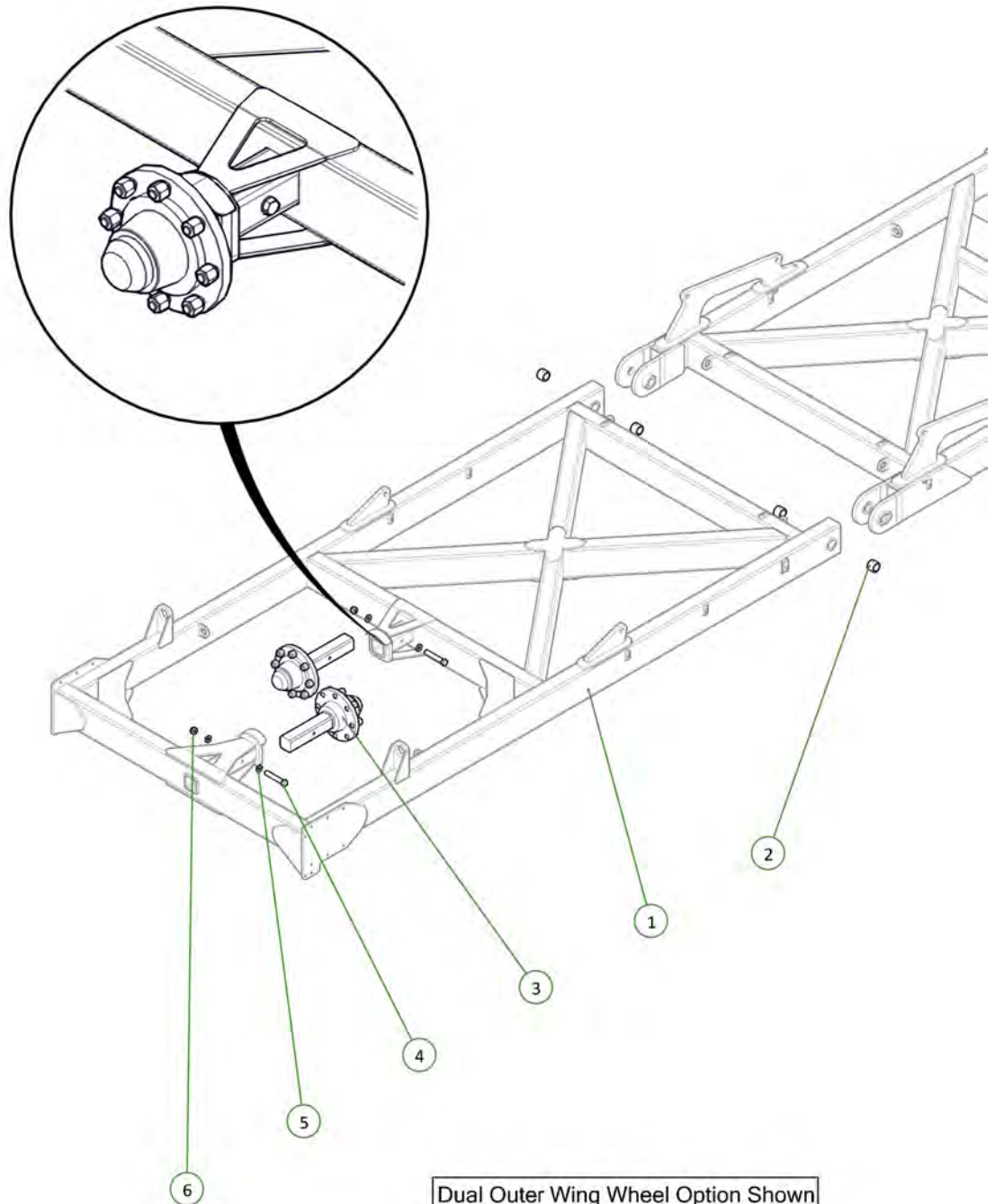
Item No.	Description	Qty	Number
1	Oval Head 50mm Short Pivot Pin Assembly	2	1202-06A
2	50mm Pivot Pin Retaining Washer	2	1200-60
3	Nyloc Nut M30	2	0221-NYL30
4	Cotter Pin M6 x 50mm	2	0261-PINC650



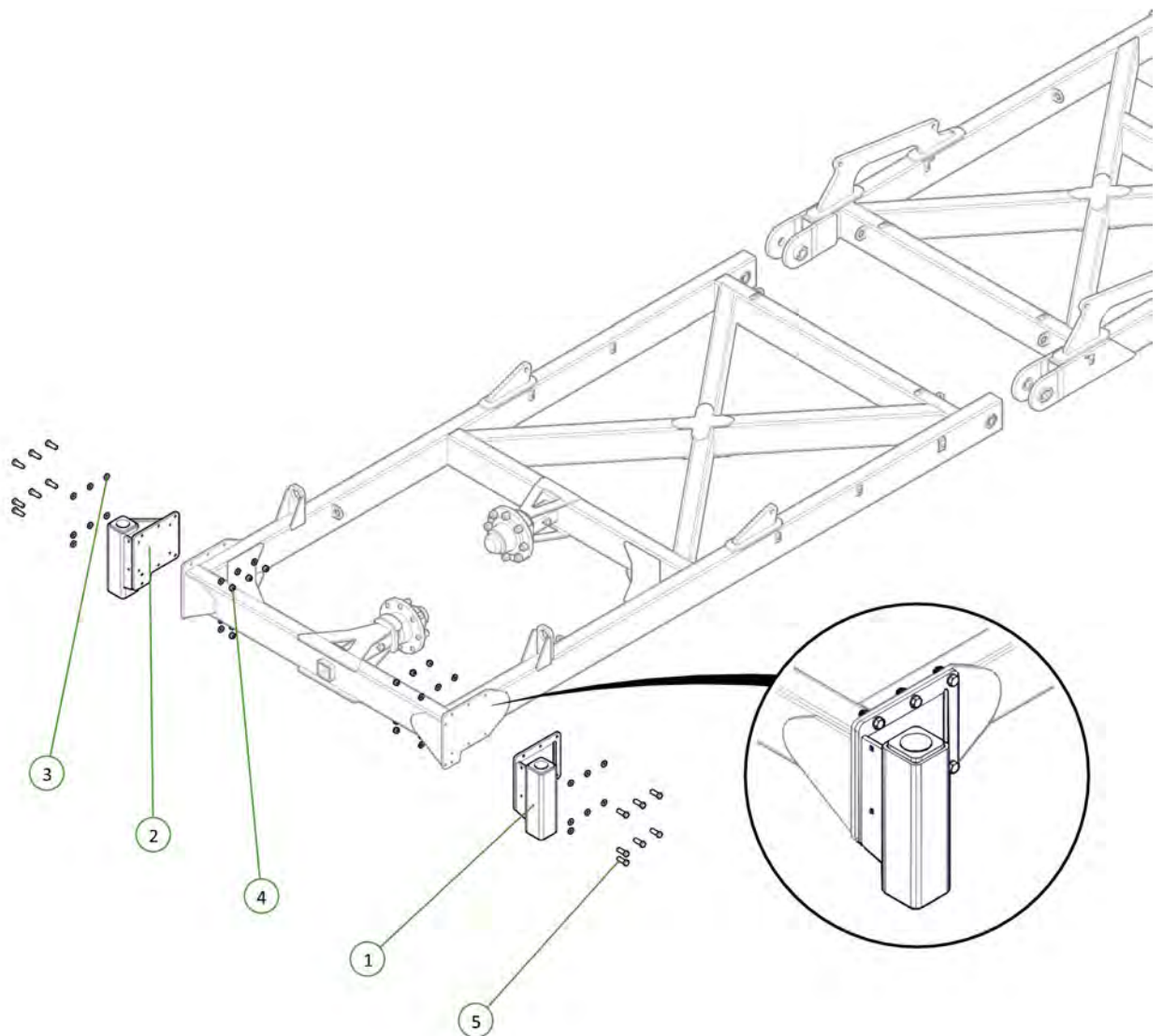
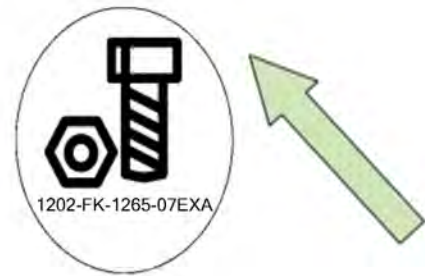
Item No.	Description	Qty	Number
1	6218HDX Left Hand Inner Wing	1	1265-05-2
2	50 ID x 40mm DX Bush	4	0113-MB5040DX
3	Oval Head 50mm Short Pivot Pin Assembly	2	1202-06A
4	50mm Pivot Pin Retaining Washer	2	1200-60
5	Nyloc Nut M30	2	0221-NYL30
6	Cotter Pin M6 x 50mm	2	0261-PINC650



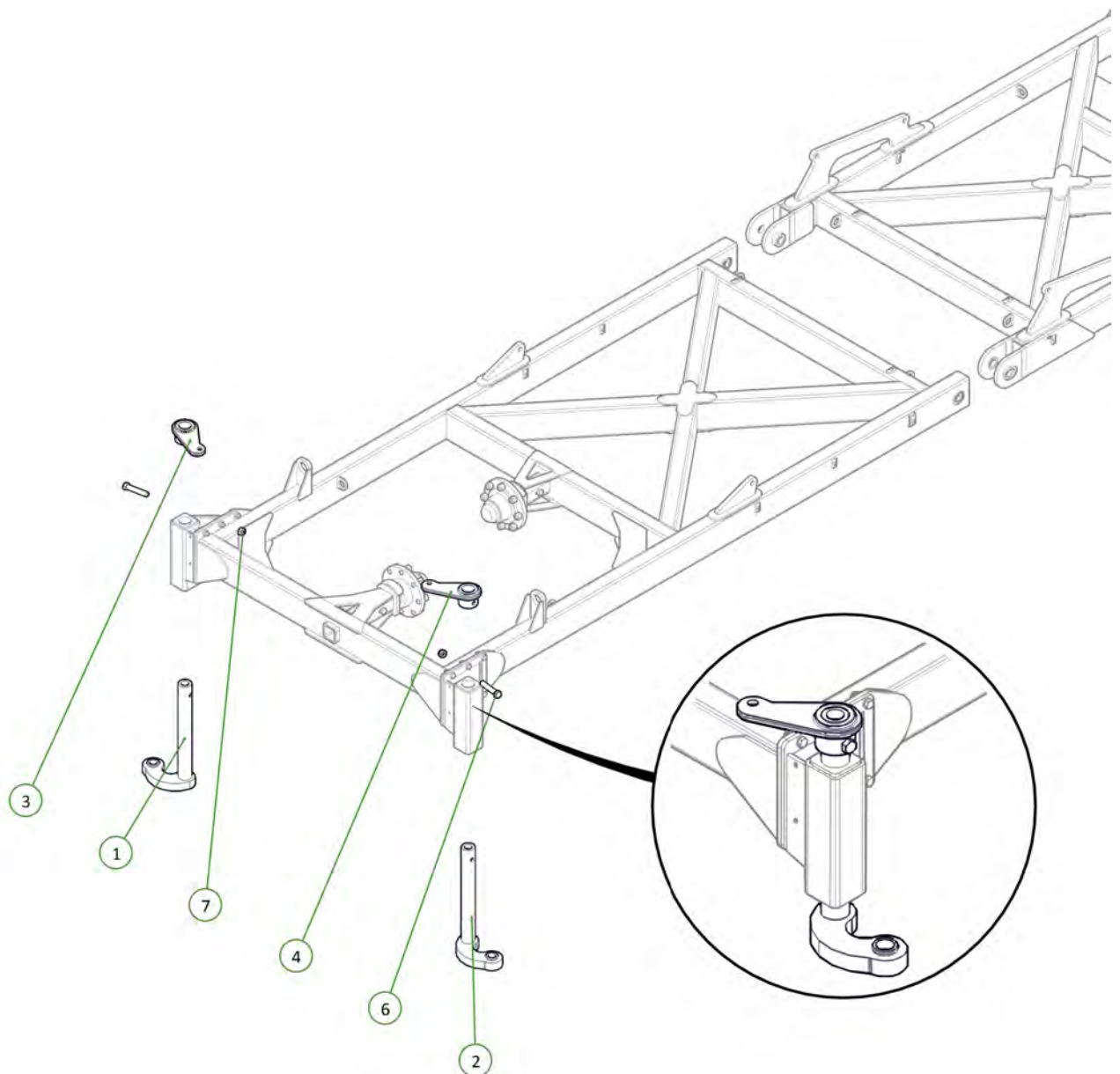
Item No.	Description	Qty	Number
1	6218HDX Left Hand Outer Wing	1	1265-07Ex-2
2	50 ID x 40mm DX Bush	4	0113-MB5040DX
3	90 Series Stub Axle (Stub and Hub Complete)	2	0733-90
4	M20 x 140 Class 8.8 ZP Bolt	2	0211-20140
5	Washer Flat M20	4	0231-F20
6	Nyloc Nut M20	2	0221-NYL20



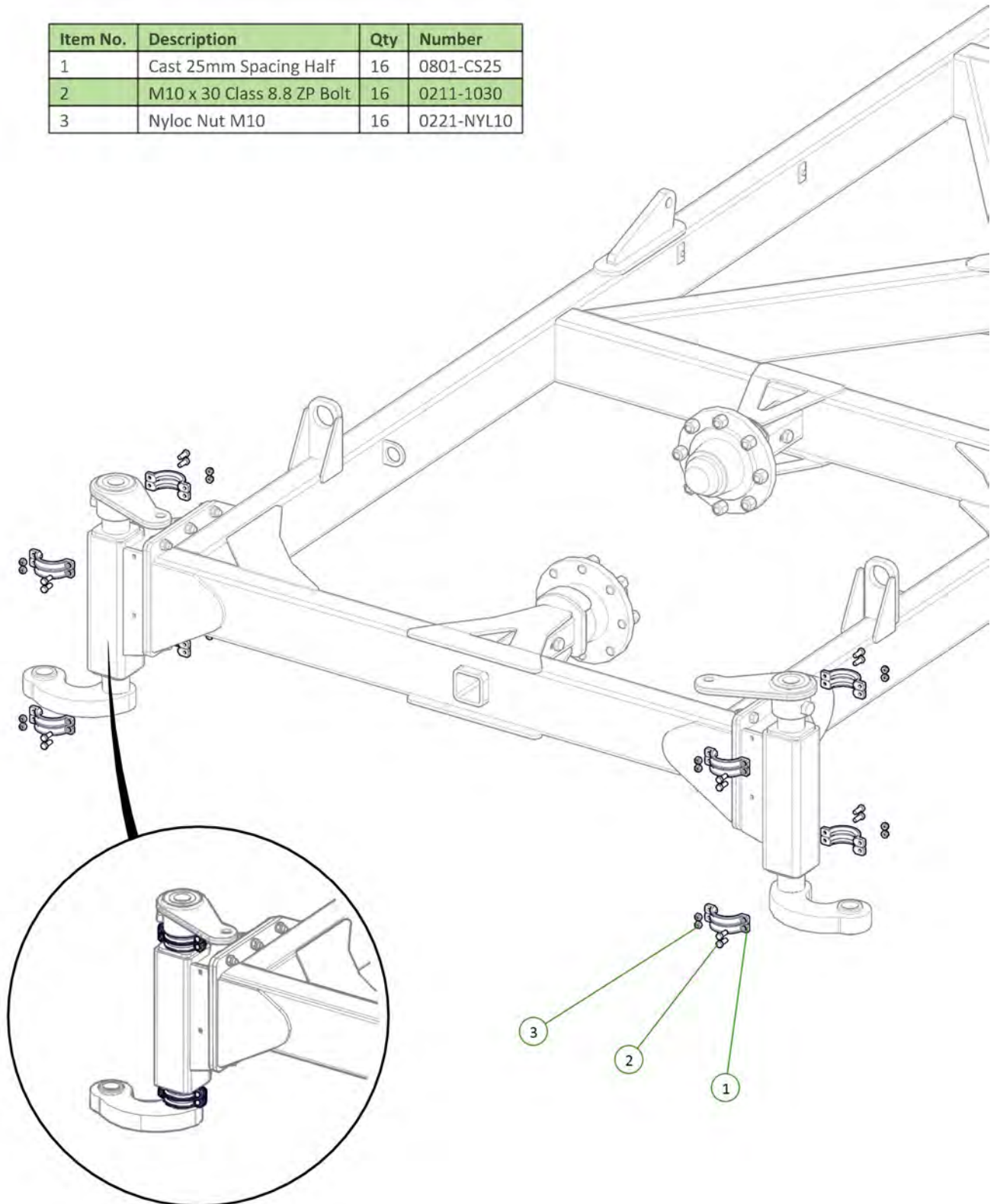
Item No.	Description	Qty	Number
1	62 HDX Outer Wing Left Drop Tube	1	1265-07EXL
2	62 HDX Outer Wing Right Drop Tube	1	1265-07EXR
3	Washer Flat M16	28	0231-F16
4	Nyloc Nut M16	14	0221-NYL16
5	M16 x 55 Class 8.8 ZP Bolt	14	0211-1655



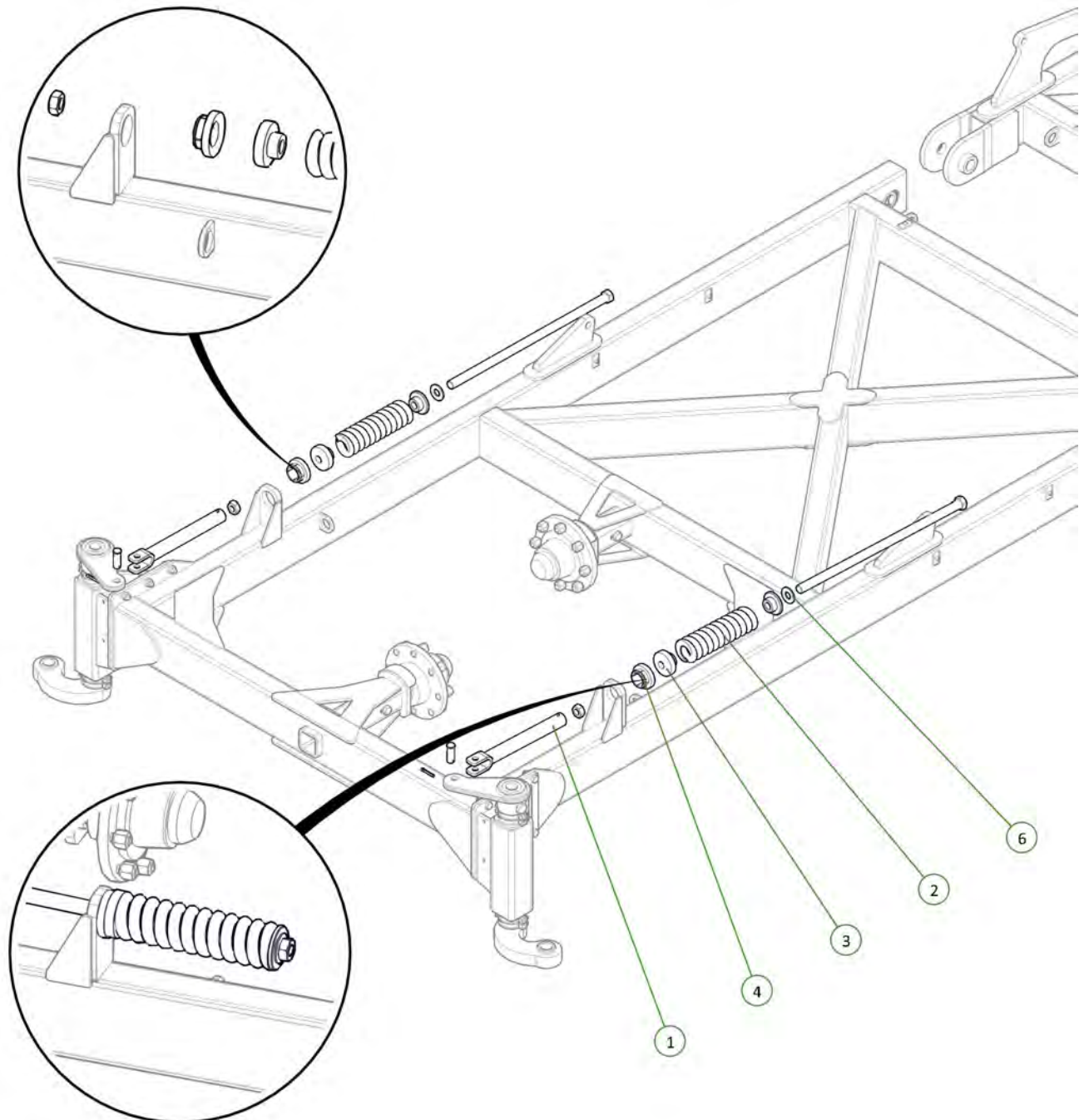
Item No.	Description	Qty	Number
1	Heavy Duty Left Hand Drop Leg	1	1210-24
2	Heavy Duty Right Hand Drop Leg	1	1210-25
3	LH Chain Adjusting Lug	1	0810-26
4	RH Chain Adjusting Lug	1	0810-27
6	M24 x 140 Class 8.8 ZP Bolt	2	0211-24140
7	Nyloc Nut M24	2	0221-NYL24



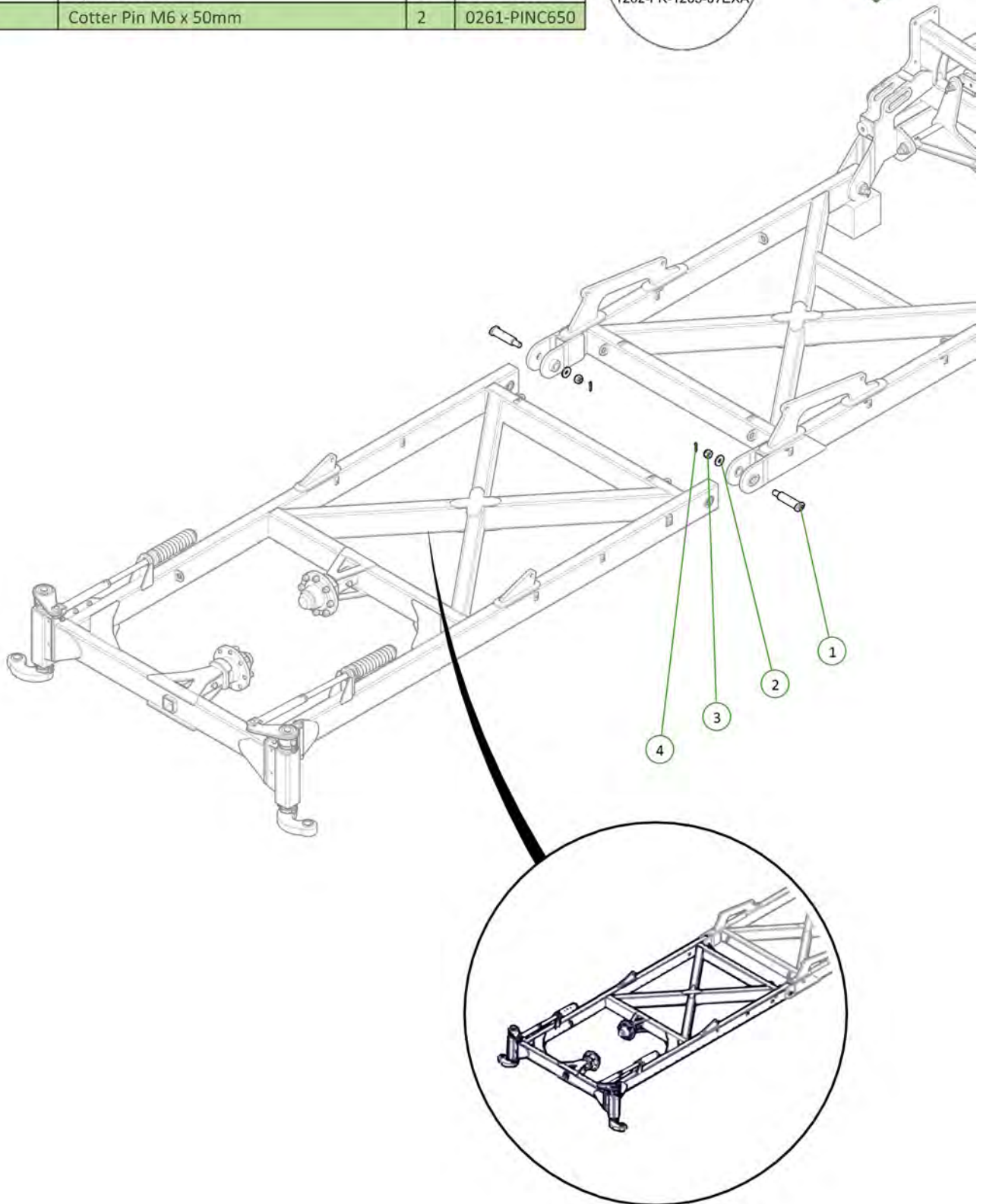
Item No.	Description	Qty	Number
1	Cast 25mm Spacing Half	16	0801-CS25
2	M10 x 30 Class 8.8 ZP Bolt	16	0211-1030
3	Nyloc Nut M10	16	0221-NYL10



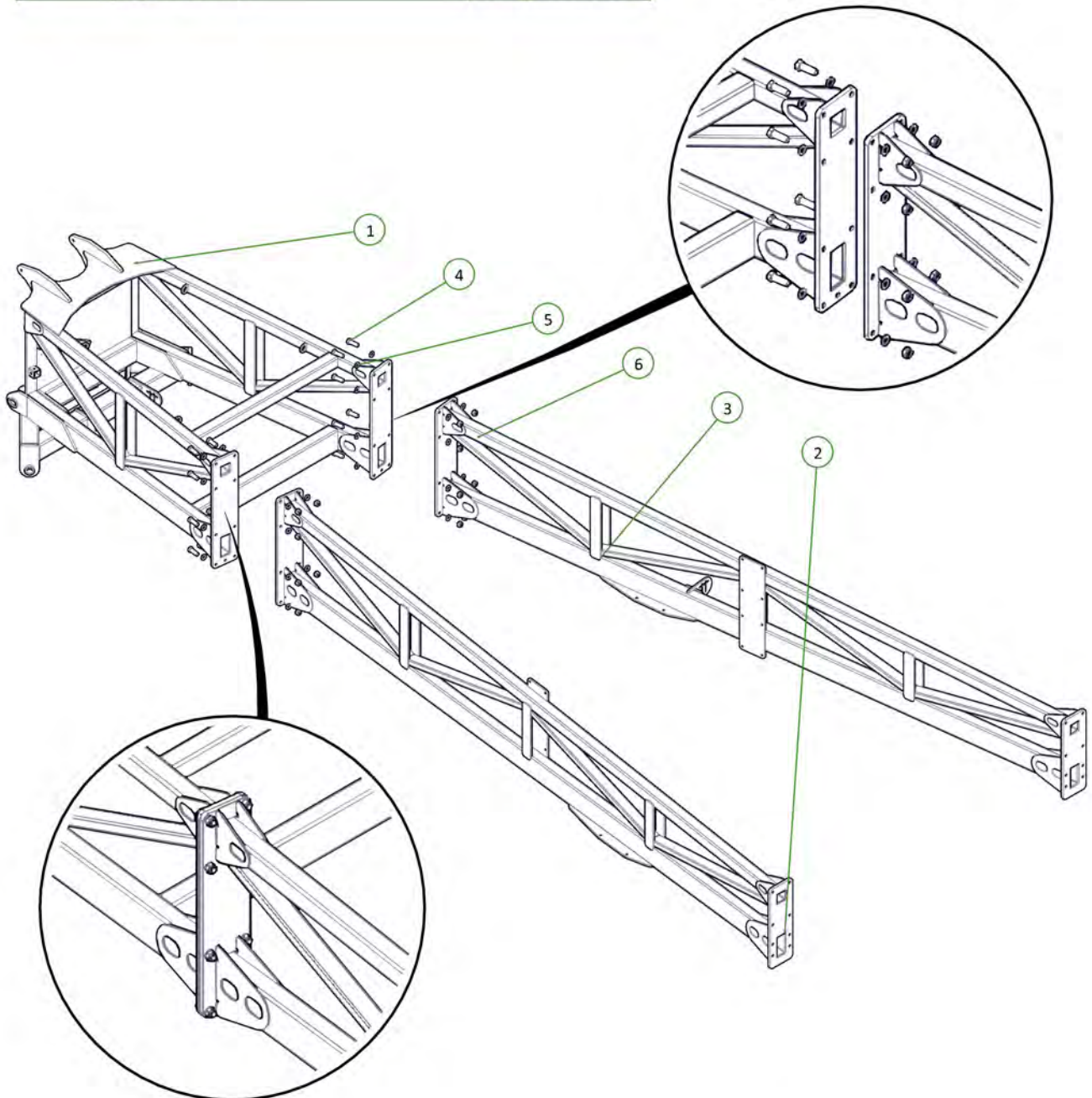
Item No.	Description	Qty	Number
1	Chain Tension Adjustor	2	0802-PCHTA
2	Heavy Duty Coil Spring 24mm	2	0801-K2455350
3	Tensioner Cup - Male	2	0801-KE0805-3
4	Tensioner Cup - Female	2	0801-KE0805-4
6	Washer High Tensile 1 1/4"	2	0232-HT11-4



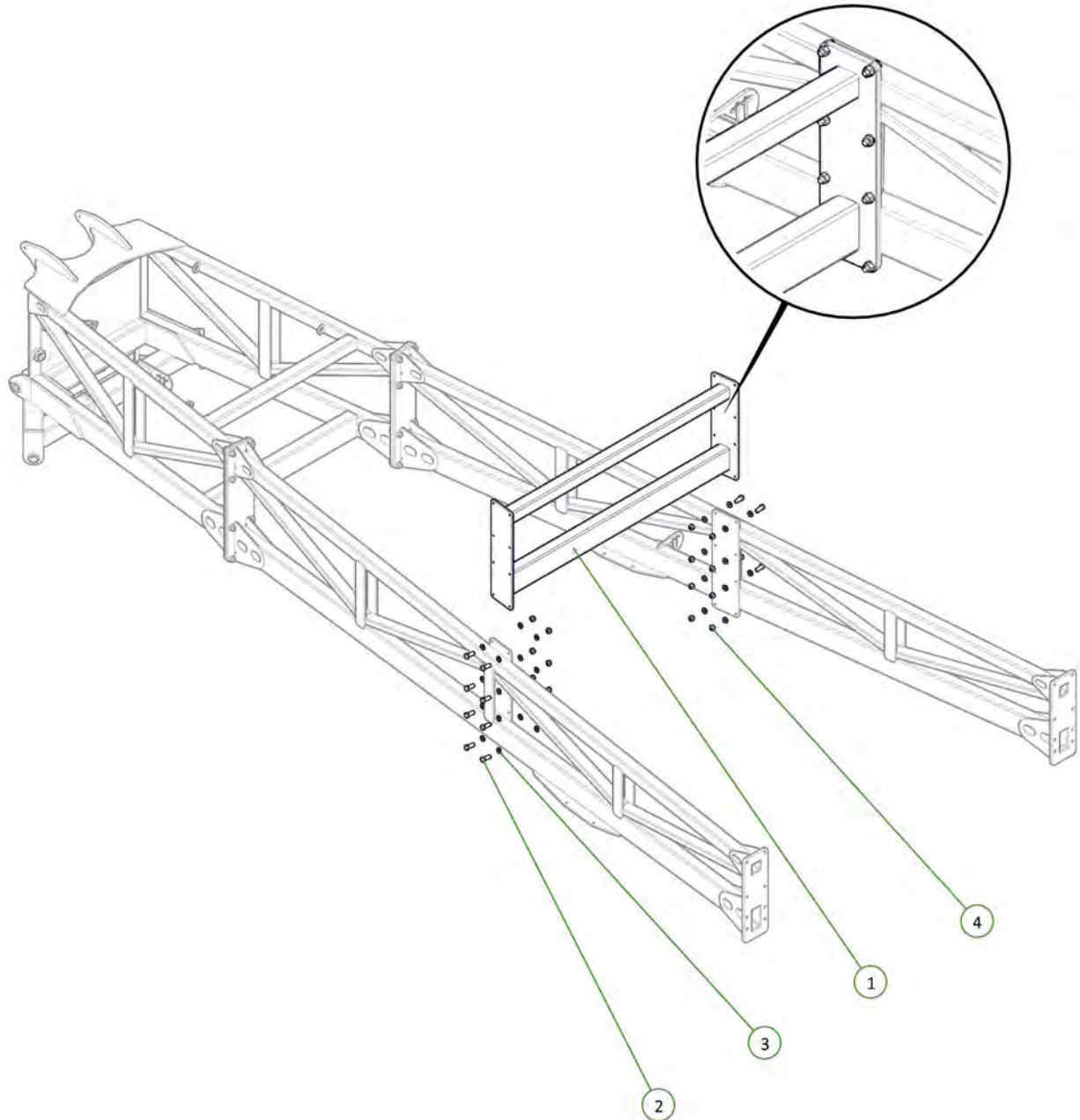
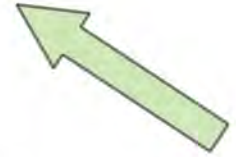
Item No.	Description	Qty	Number
1	Oval Head 50mm Short Pivot Pin Assembly	2	1202-06A
2	50mm Pivot Pin Retaining Washer	2	1200-60
3	Nyloc Nut M30	2	0221-NYL30
4	Cotter Pin M6 x 50mm	2	0261-PINC650



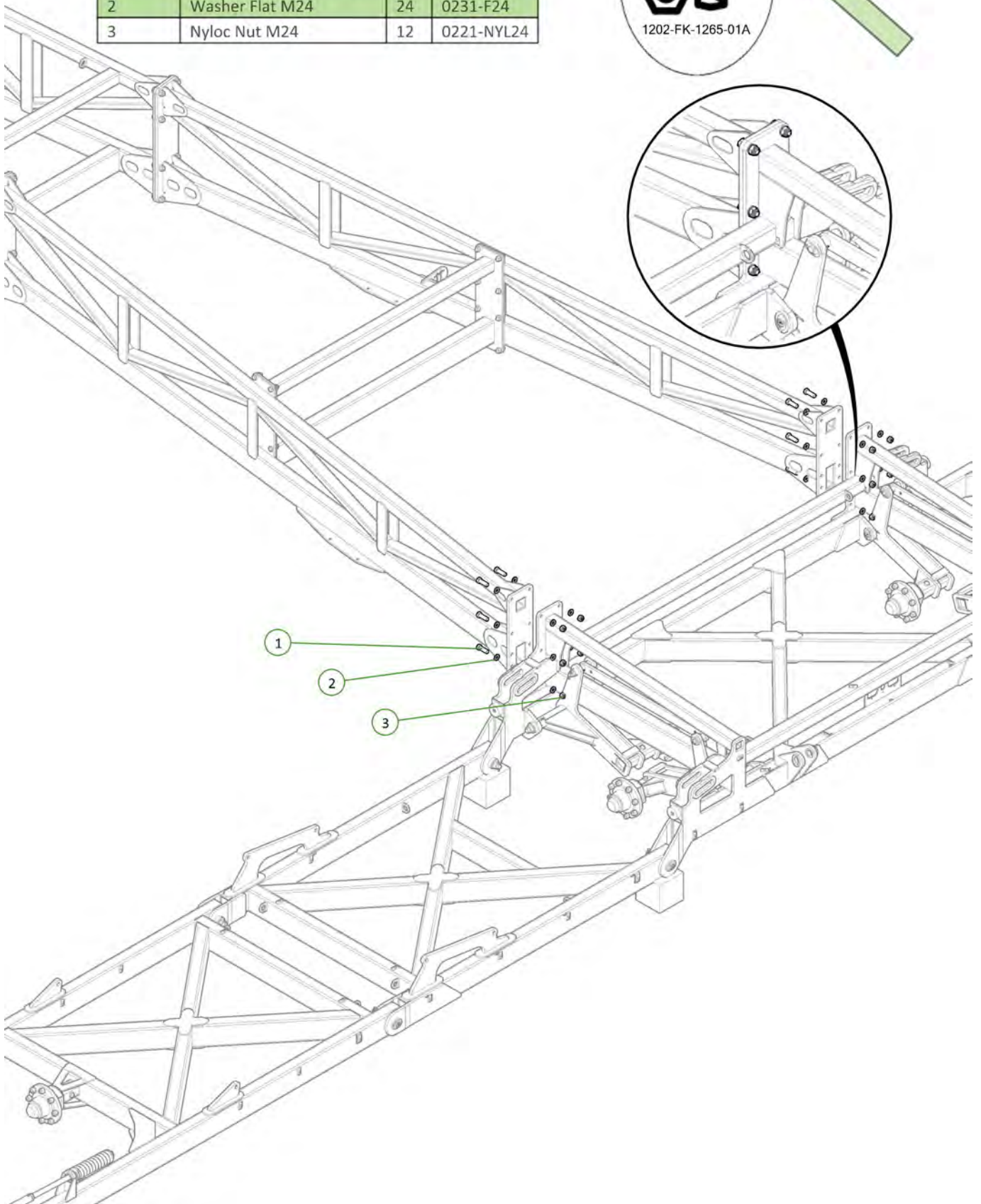
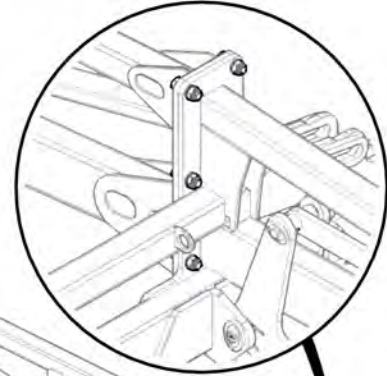
Item No.	Description	Qty	Number
1	62HDX/80 Front A-Frame Front Section	1	1265-02-01
2	62HDX Front A Frame Left	1	1265-02-2
3	62HDX Front A Frame Right	1	1265-02-3
4	M24 x 80 Class 8.8 ZP Bolt	18	0211-2480
5	Washer Flat M24	36	0231-F24
6	Nyloc Nut M24	18	0221-NYL24



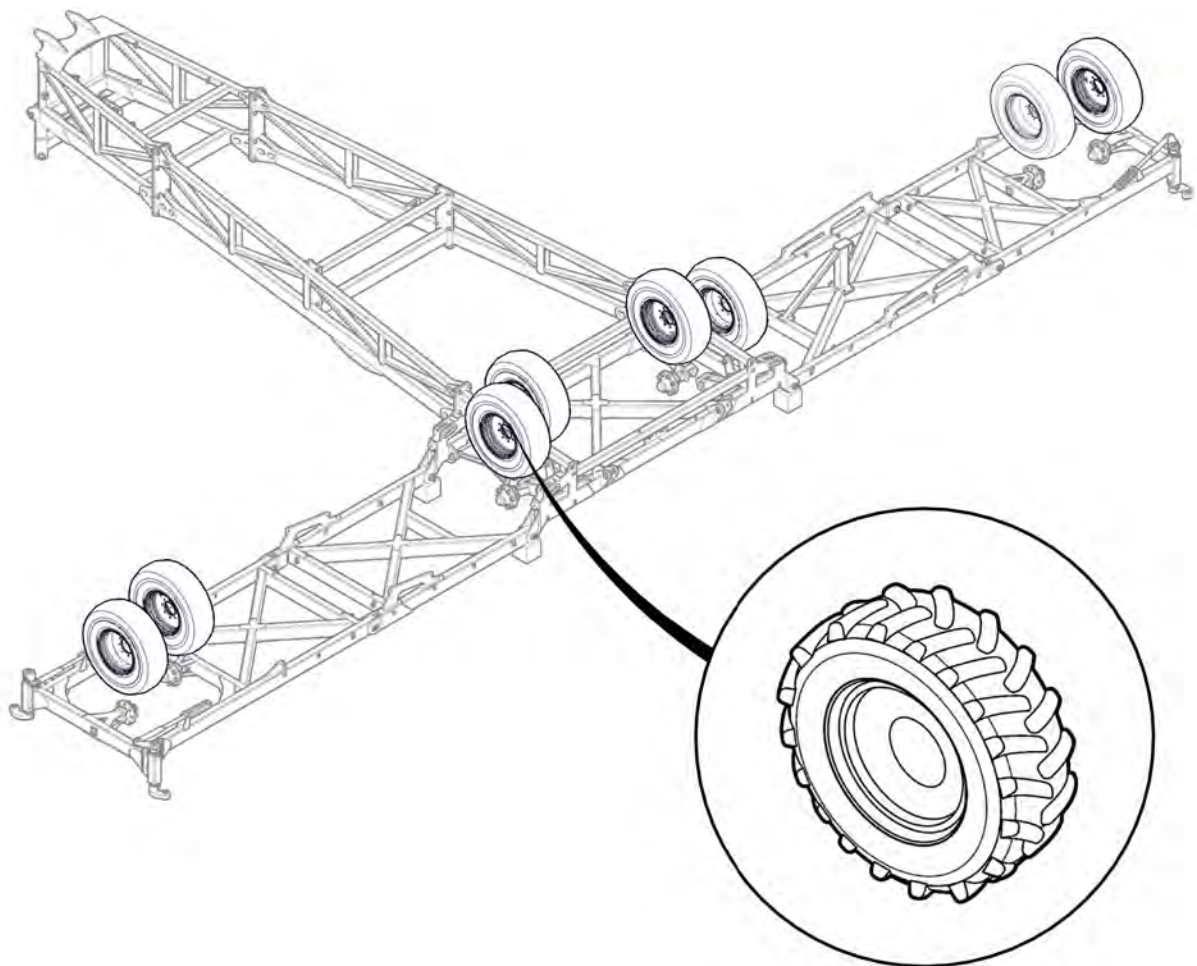
Item No.	Description	Qty	Number
1	62'HDX Front A-Frame Brace	1	1265-02-4
2	M20 x 60 Class 8.8 ZP Bolt	16	0211-2060
3	Washer Flat M20	32	0231-F20
4	Nyloc Nut M20	16	0221-NYL20



Item No.	Description	Qty	Number
1	M24 x 80 Class 8.8 ZP Bolt	12	0211-2480
2	Washer Flat M24	24	0231-F24
3	Nyloc Nut M24	12	0221-NYL24



Item No.	Description	Qty	Number
1	15.5/80-24 Tyre on 8 on 275mm PCD Rim	8	0751-15.5-80-24TR

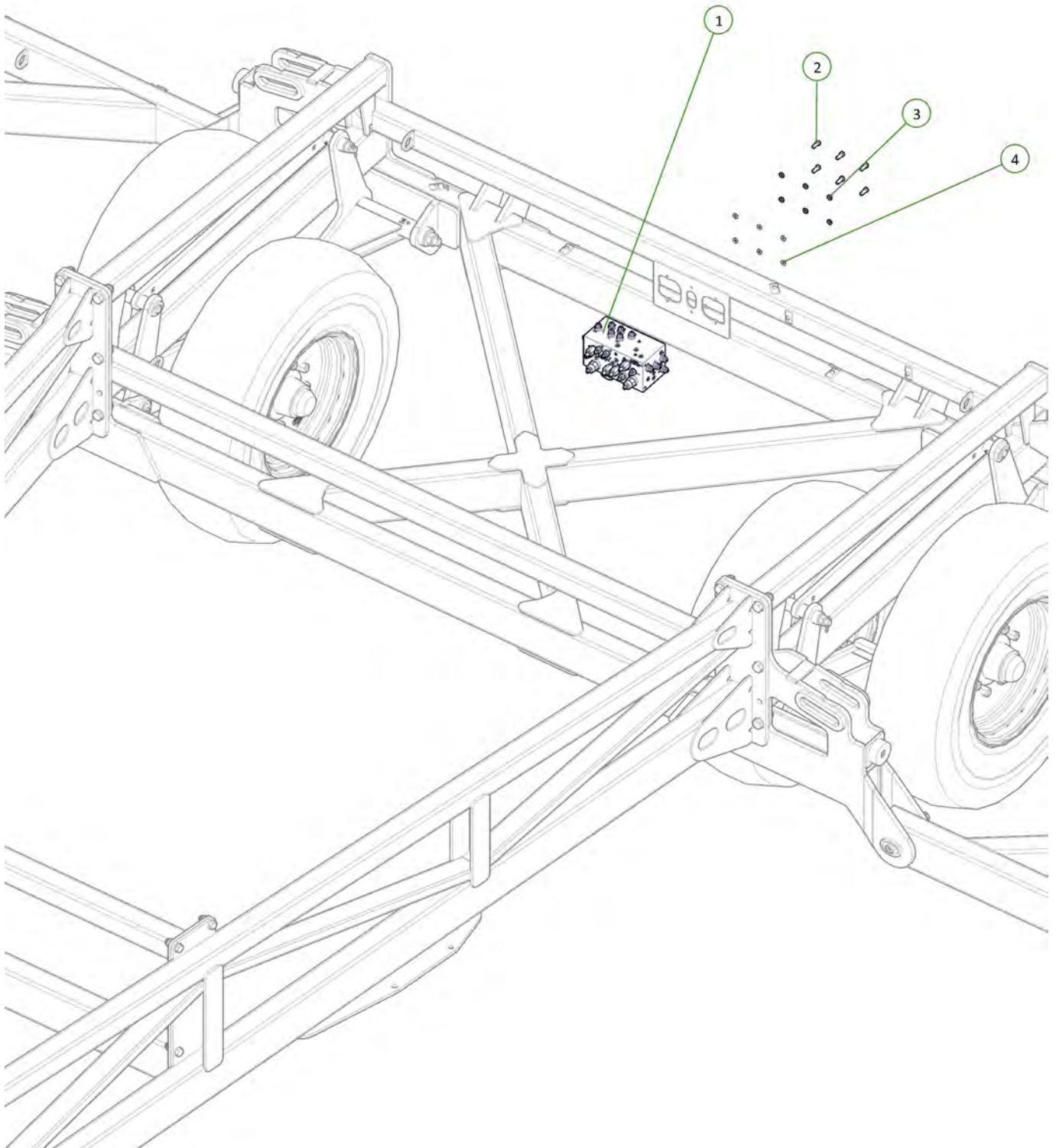


Note Tread Direction

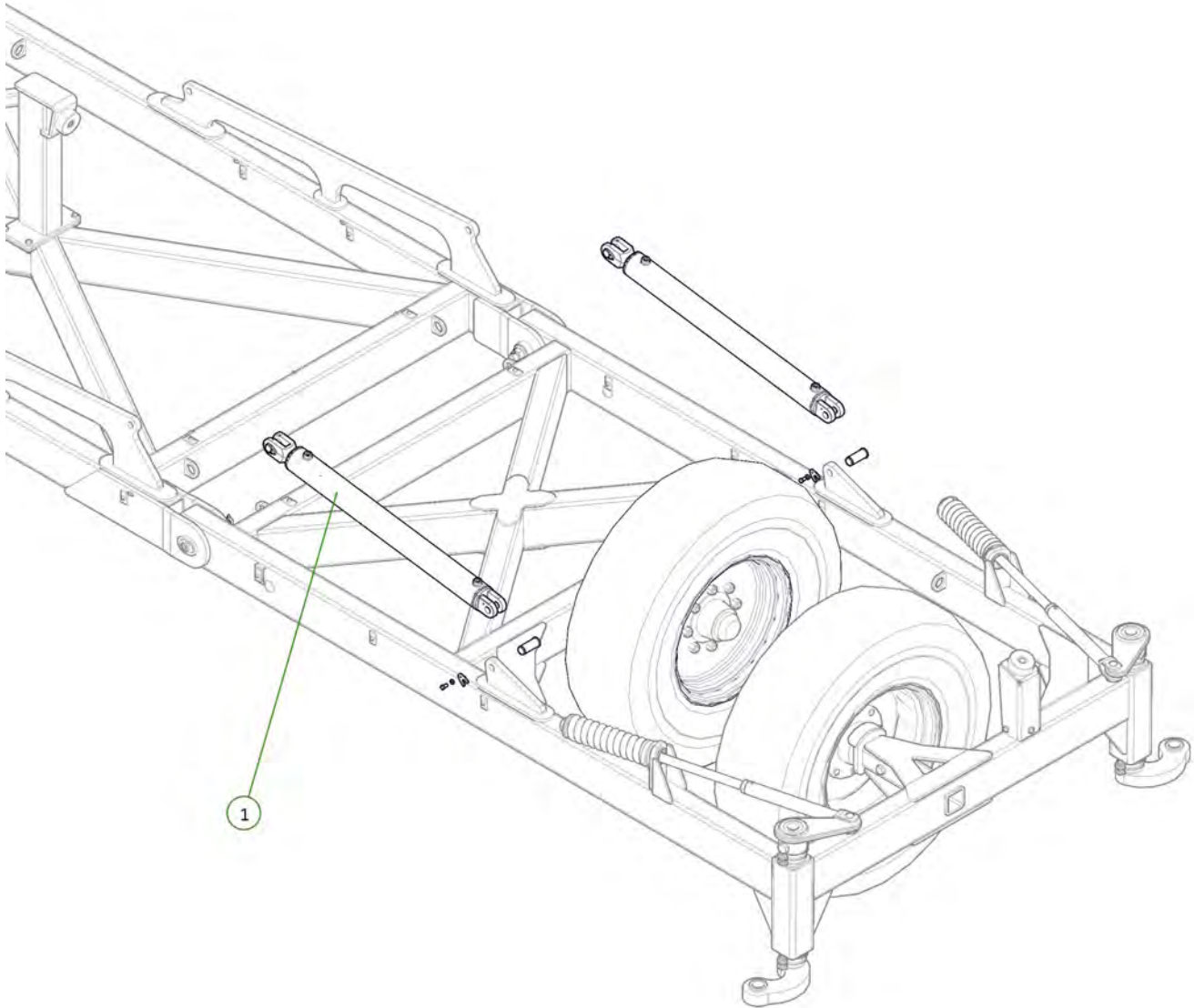
All Wheel nuts tightened to 265ft-lb / 360Nm

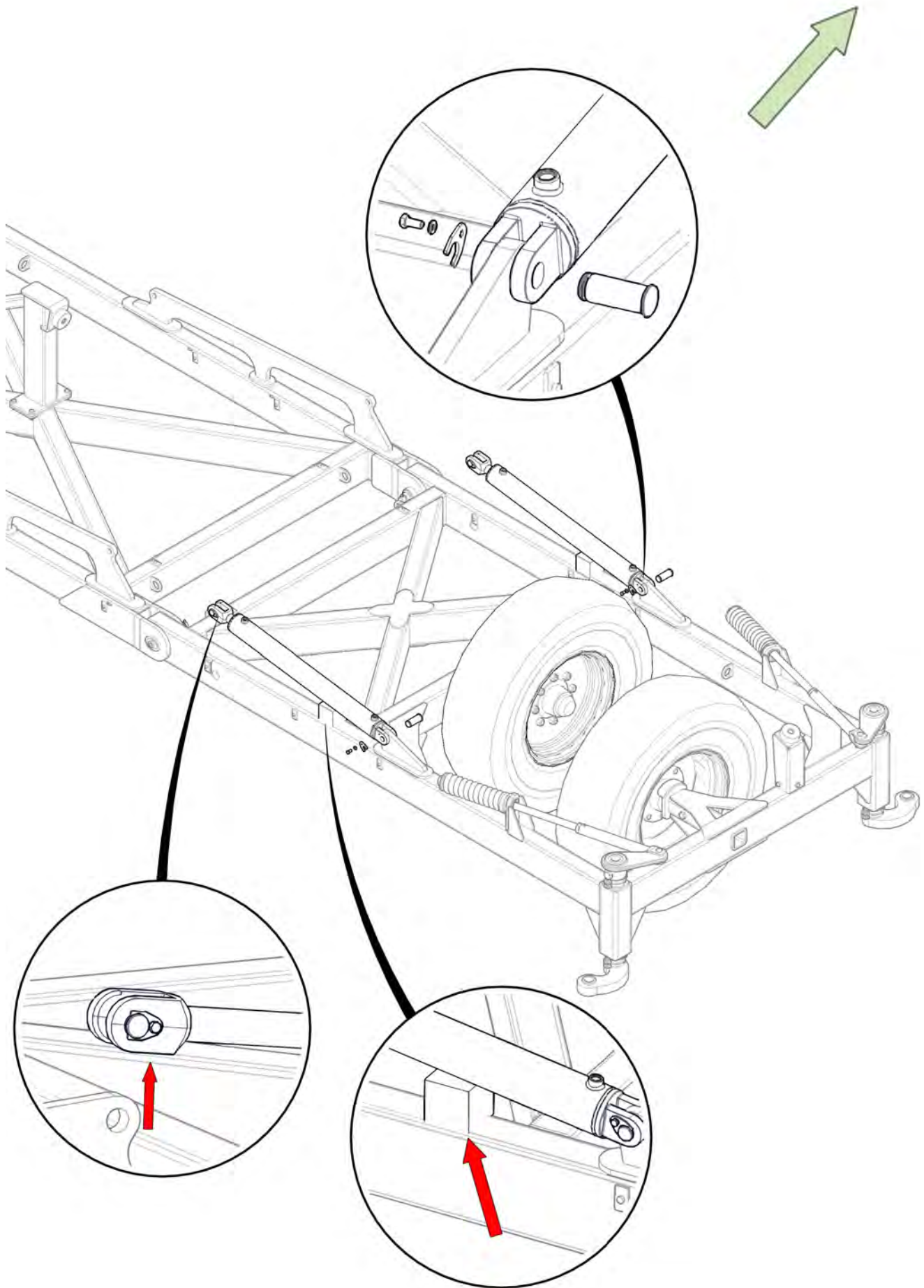
Dual Outer Wing Wheel Option Shown

Item No.	Description	Qty	Number
1	Dual Circuit 3 Stage Sequence Manifold V12.5	1	0802-692196
2	M10 x 30 Class 8.8 ZP Bolt	6	0211-1030
3	Washer Spring M10	6	0231-S10
4	Washer Flat M10	6	0231-F10

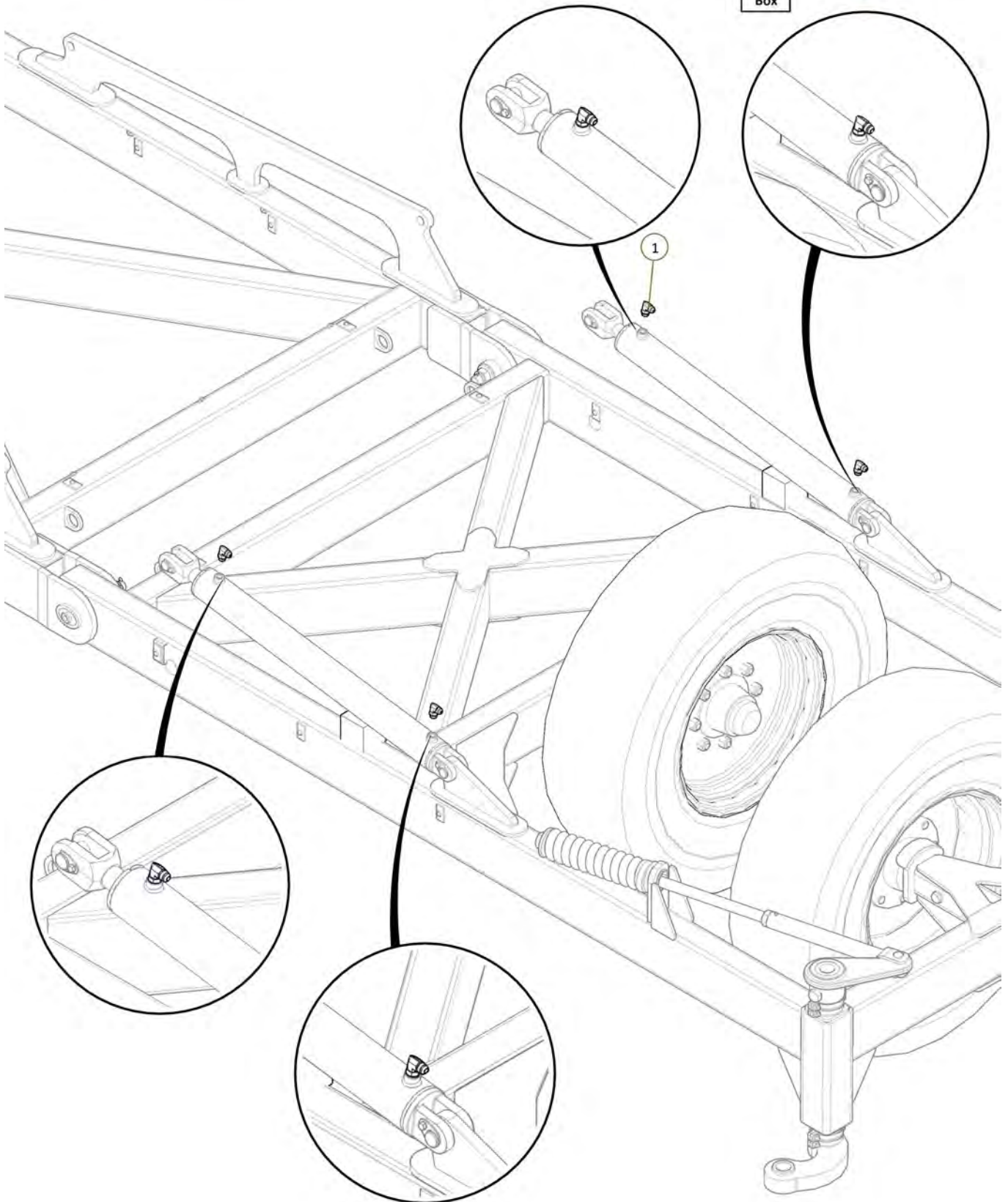


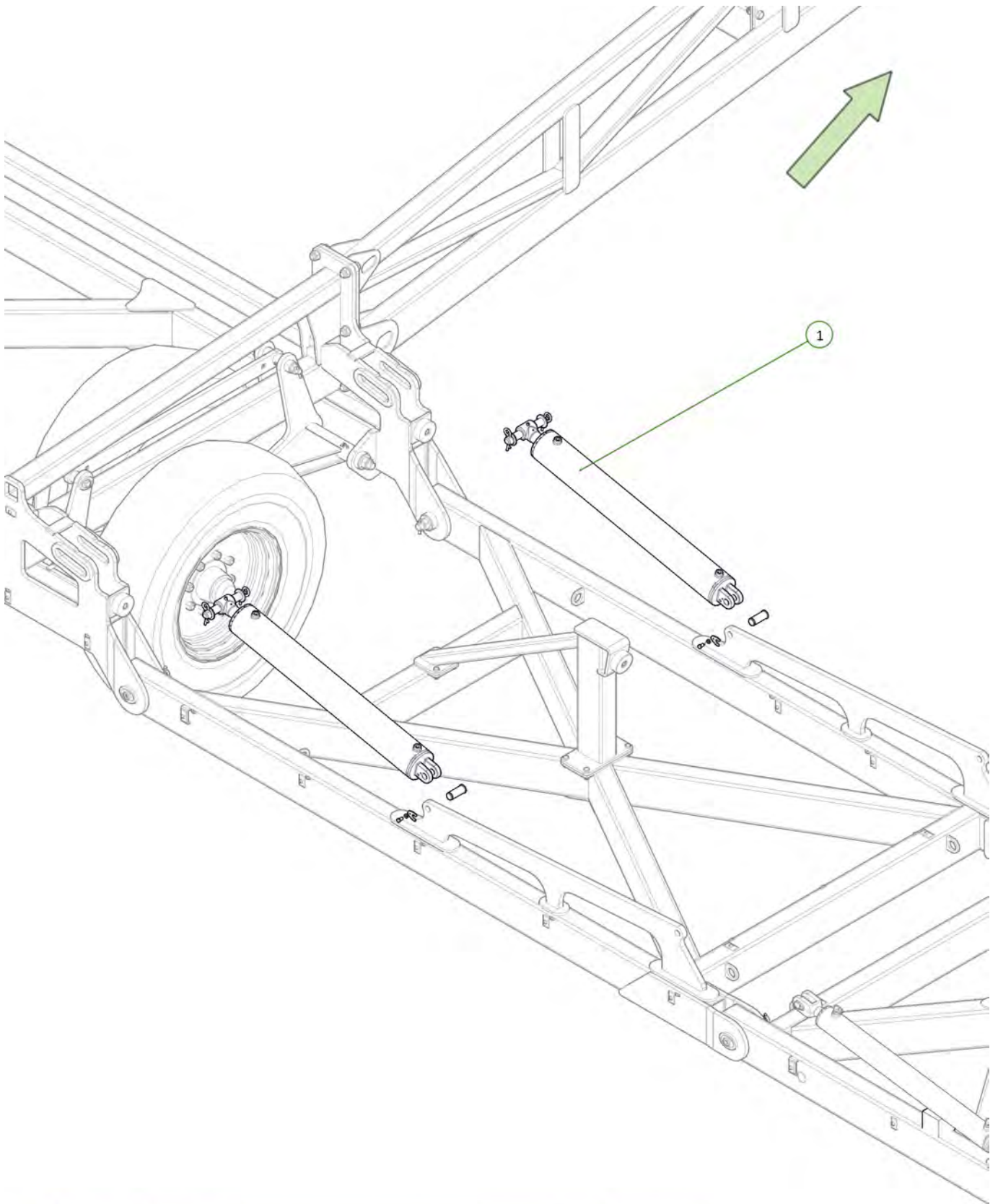
Item No.	Description	Qty	Number
1	3.5" Bore x 32" Stroke 1.75" Rod Cylinder with 4" Stop Tube	2	0311-3532ST



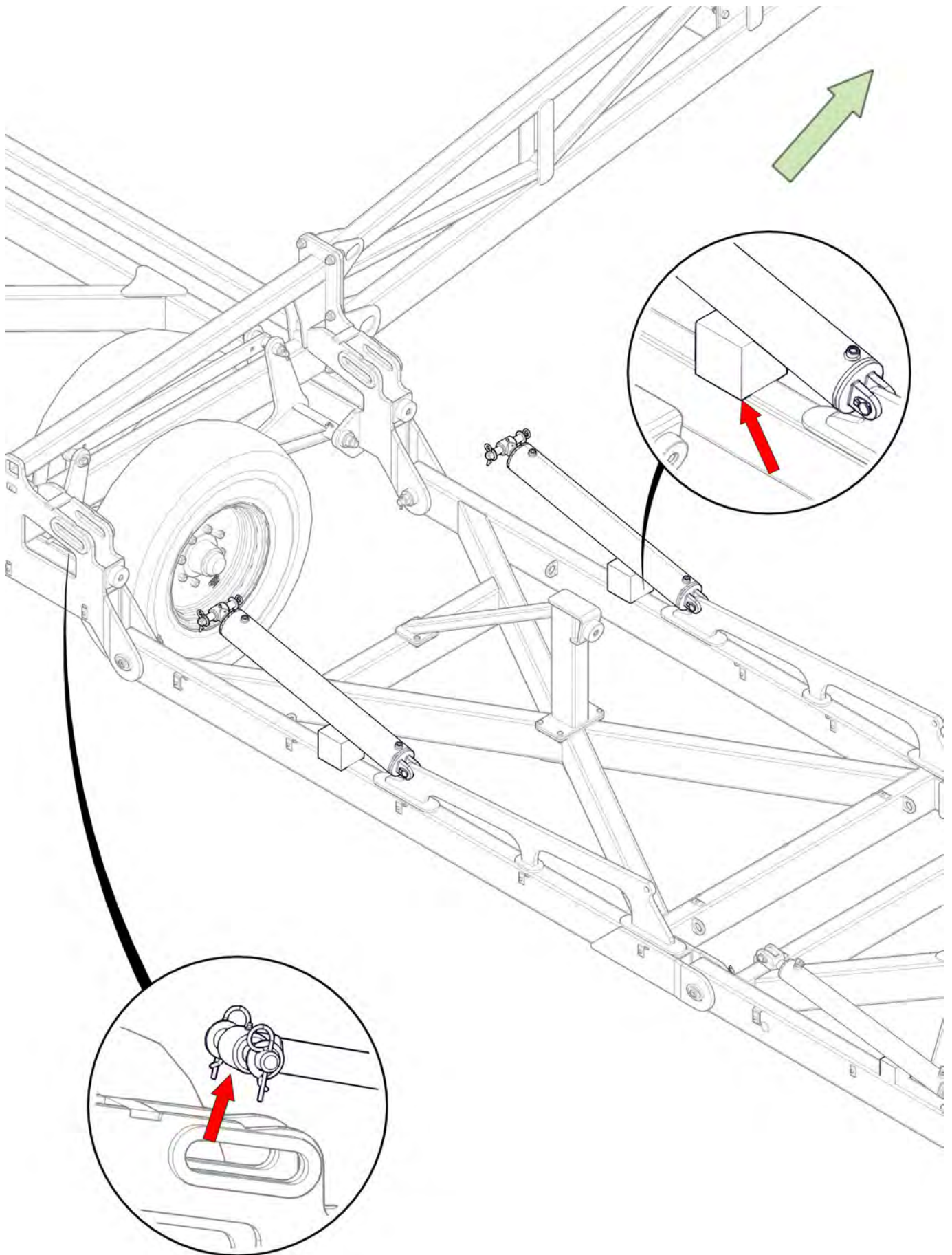


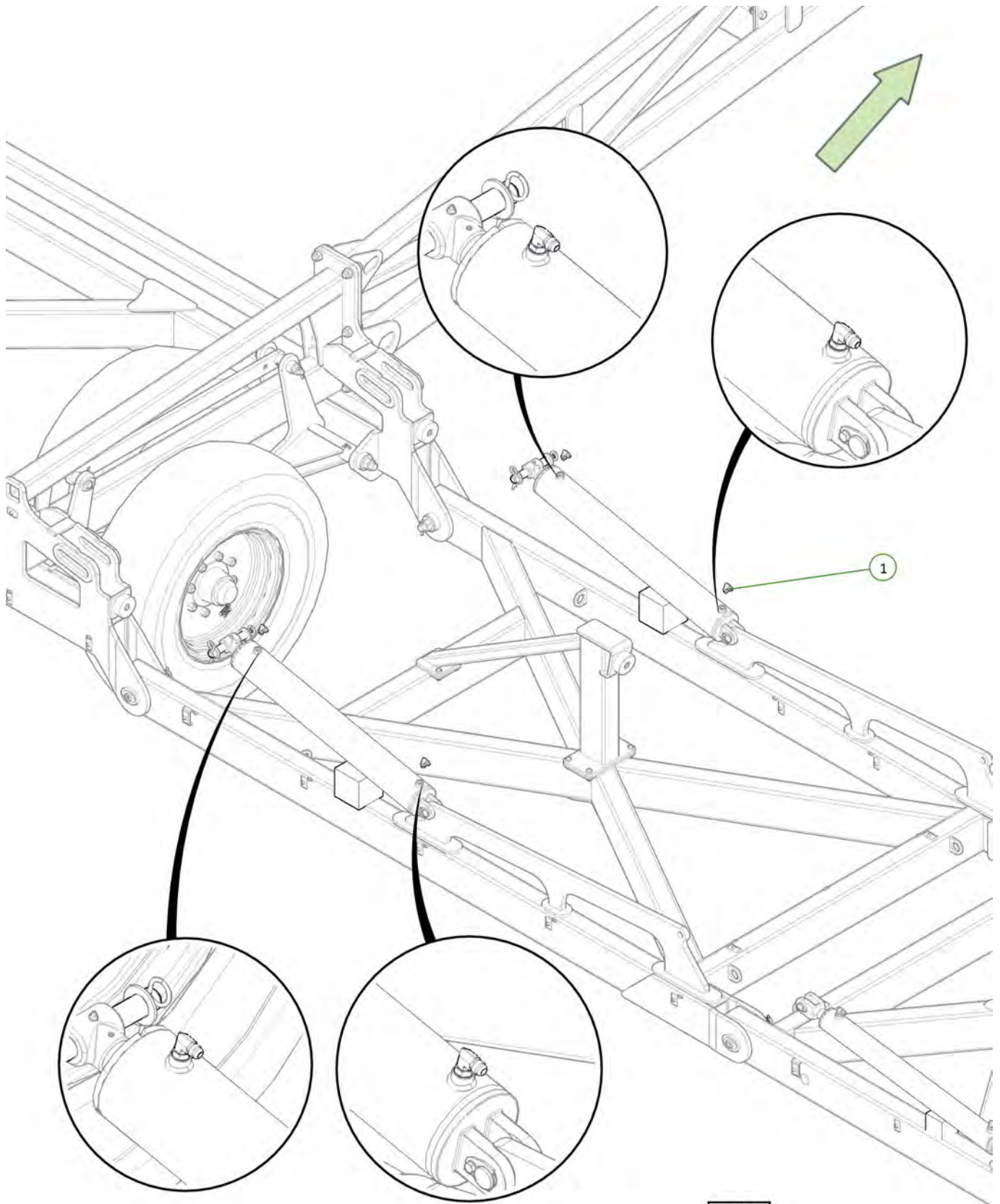
Item No.	Description	Qty	Number
1	3/4" JIC Male 3/4" UN O Ring Male 90° Elbow	4	0323-S91-1212





Item No.	Description	Qty	Number
1	5" Bore x 36" Stroke 2" Rod Cylinder with 3" Stop Tube	2	0311-536ST

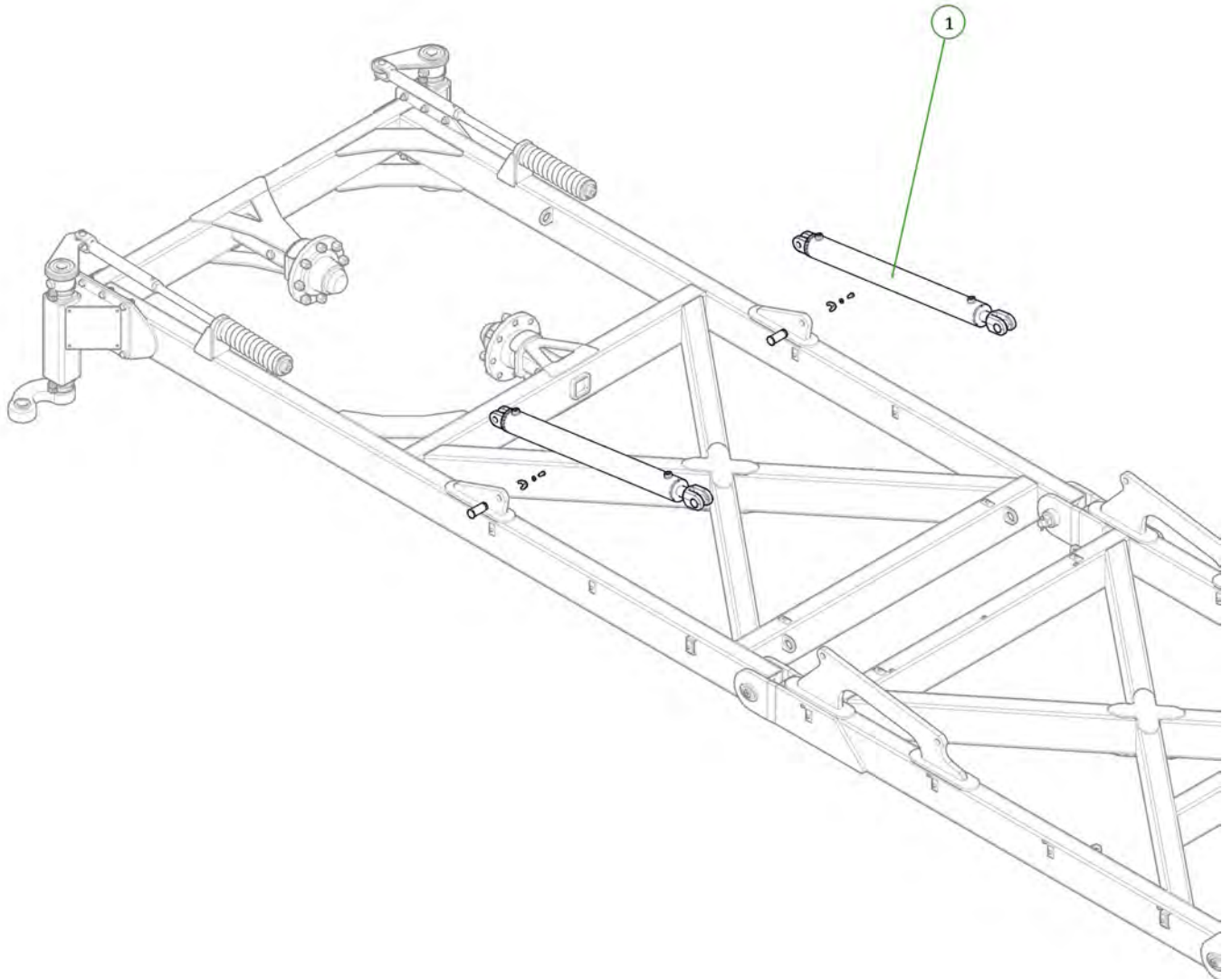


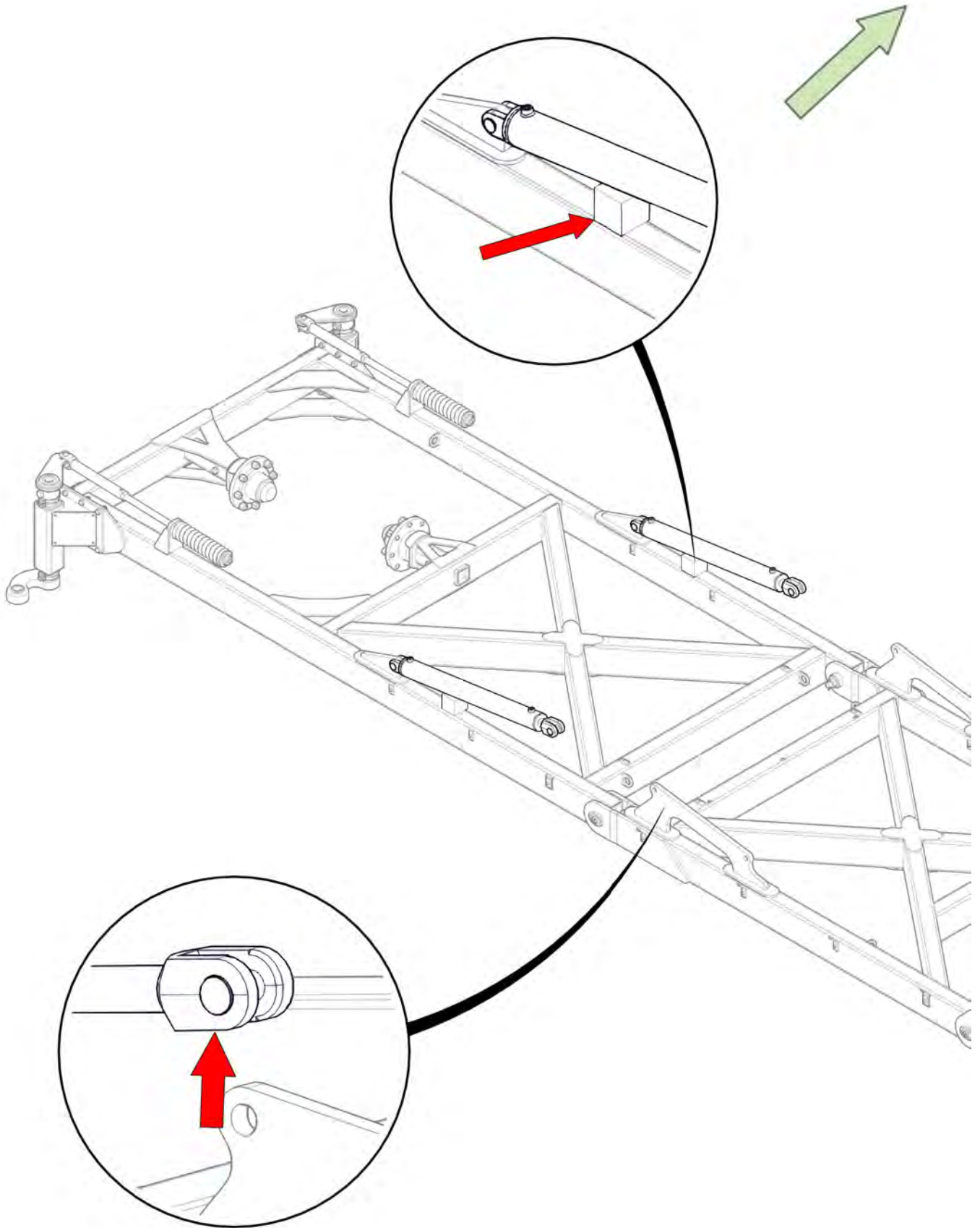


Item No.	Description	Qty	Number
1	3/4" JIC Male 3/4" UN O Ring Male 90° Elbow	4	0323-S91-1212

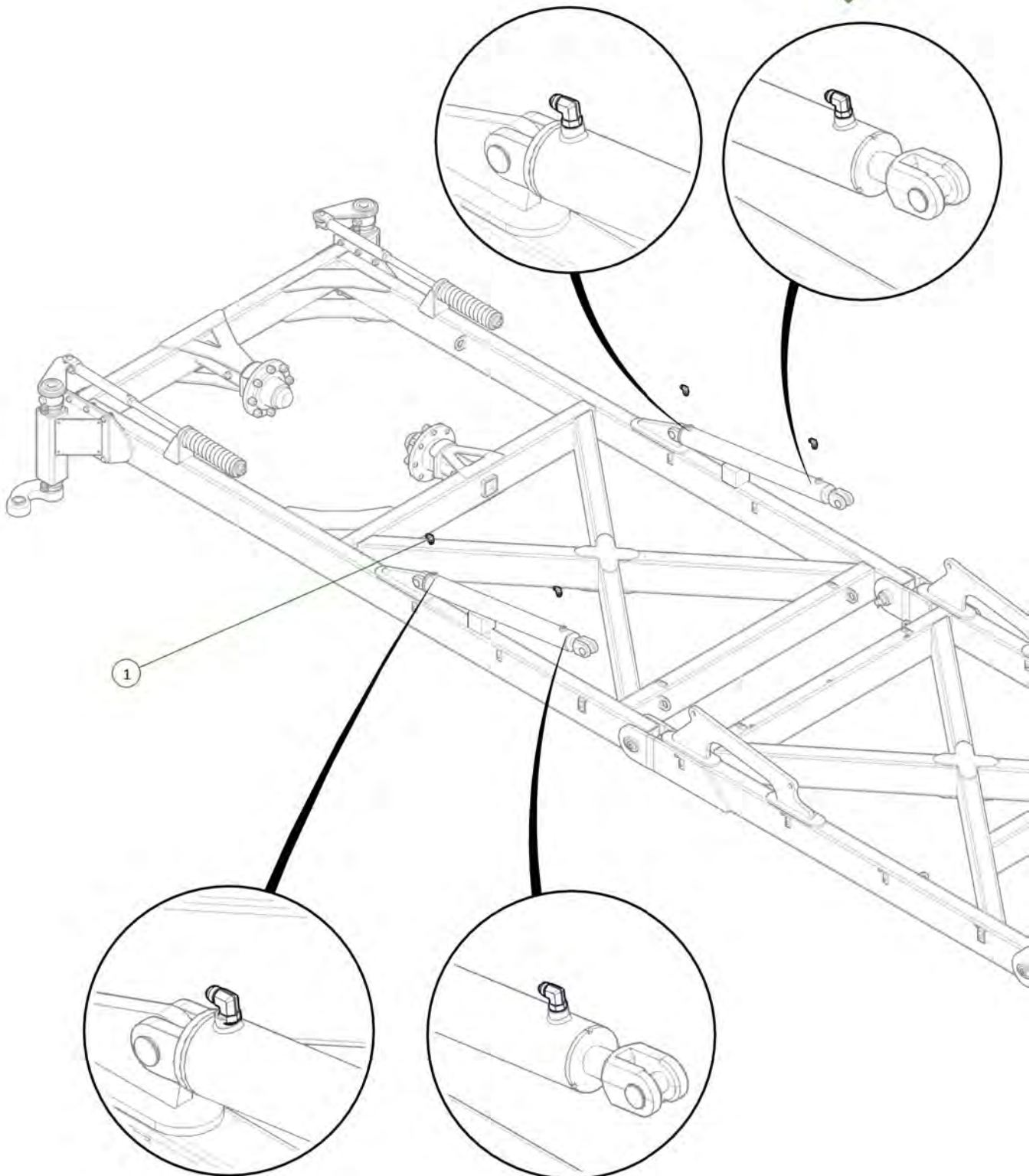


Item No.	Description	Qty	Number
1	3.5" Bore x 32" Stroke 1.75" Rod Cylinder with 4" Stop Tube	2	0311-3532ST

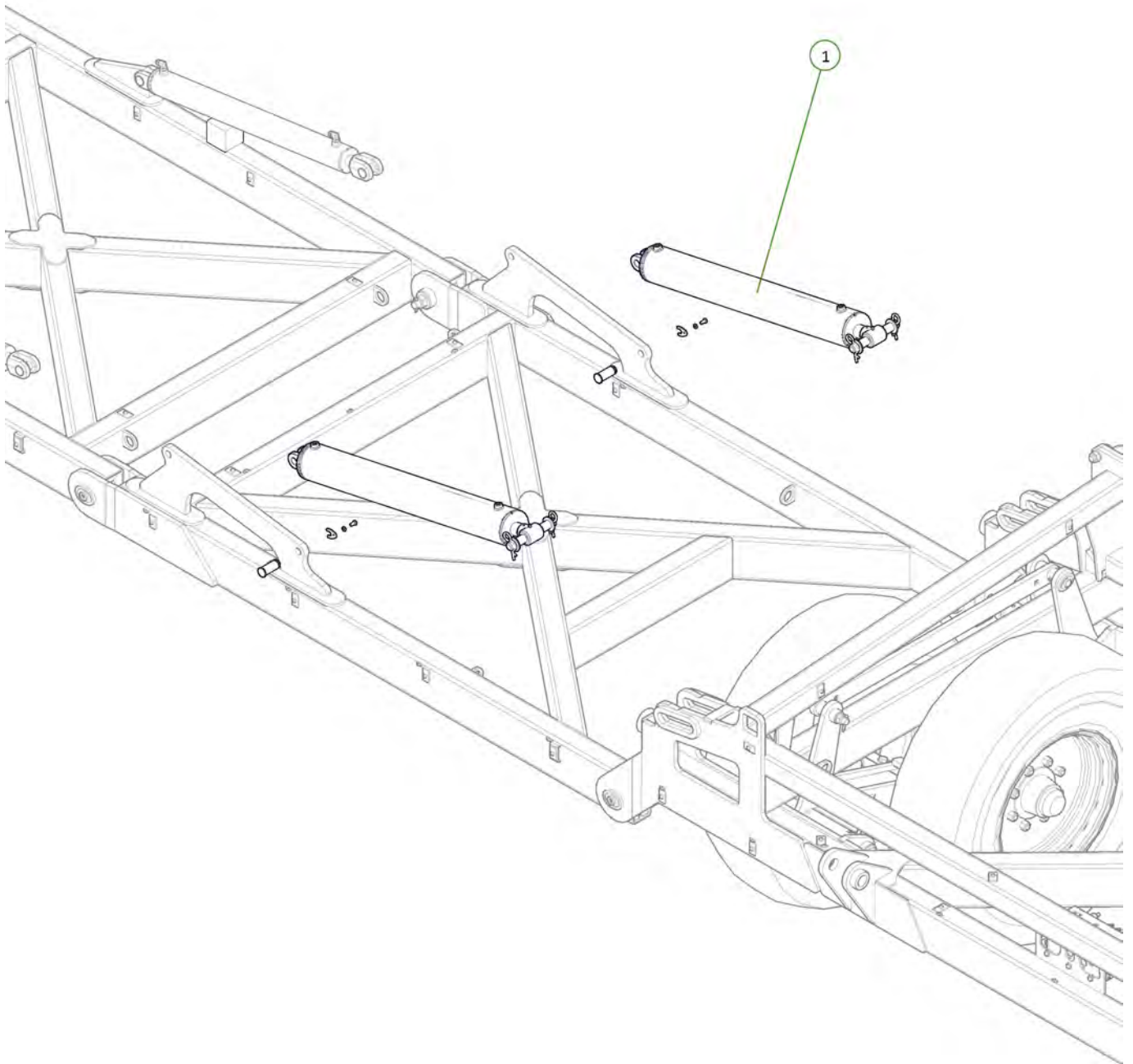
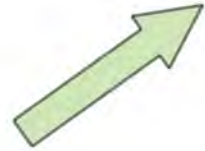


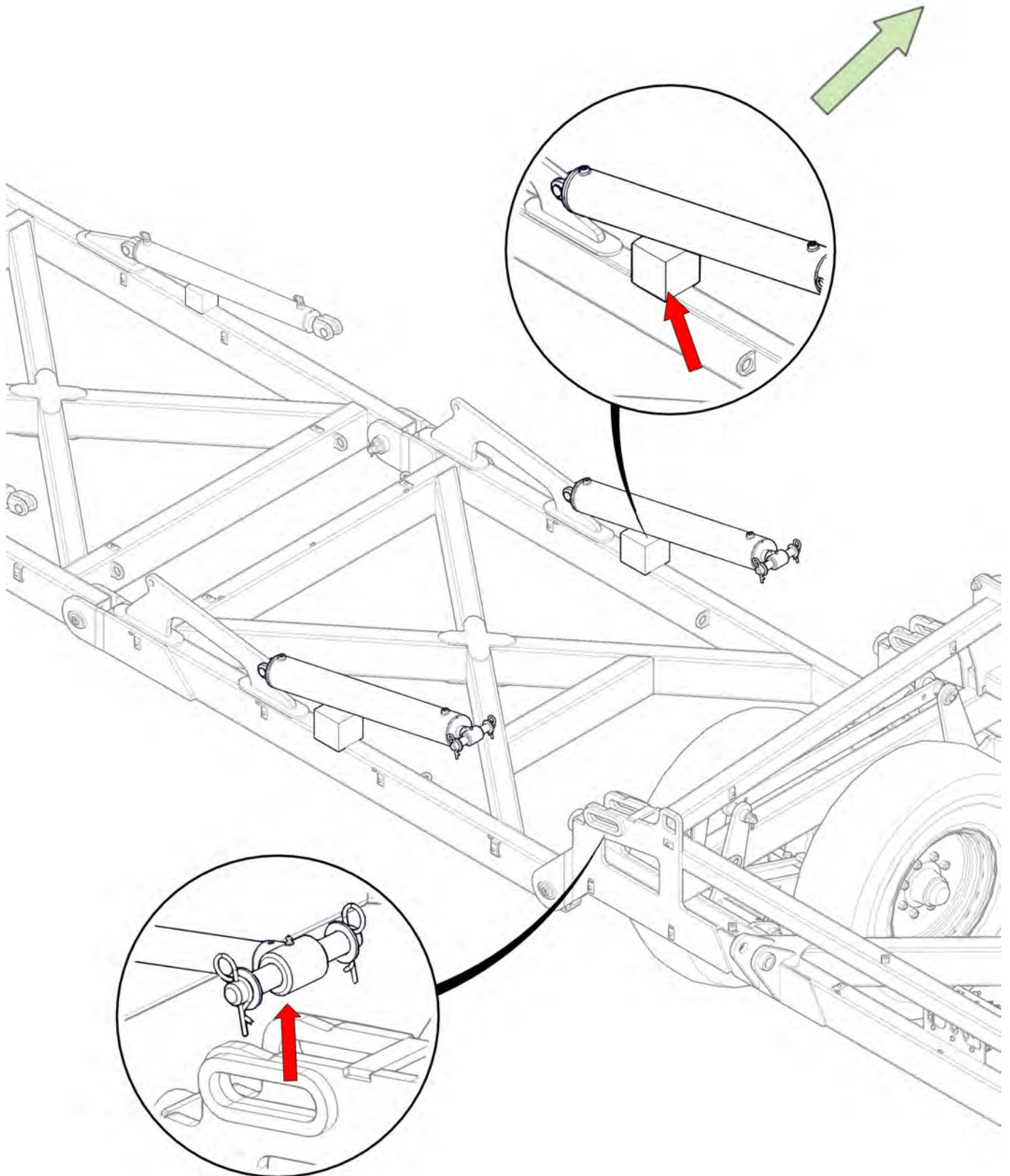


Item No.	Description	Qty	Number
1	3/4" JIC Male 3/4" UN O Ring Male 90° Elbow	4	0323-S91-1212

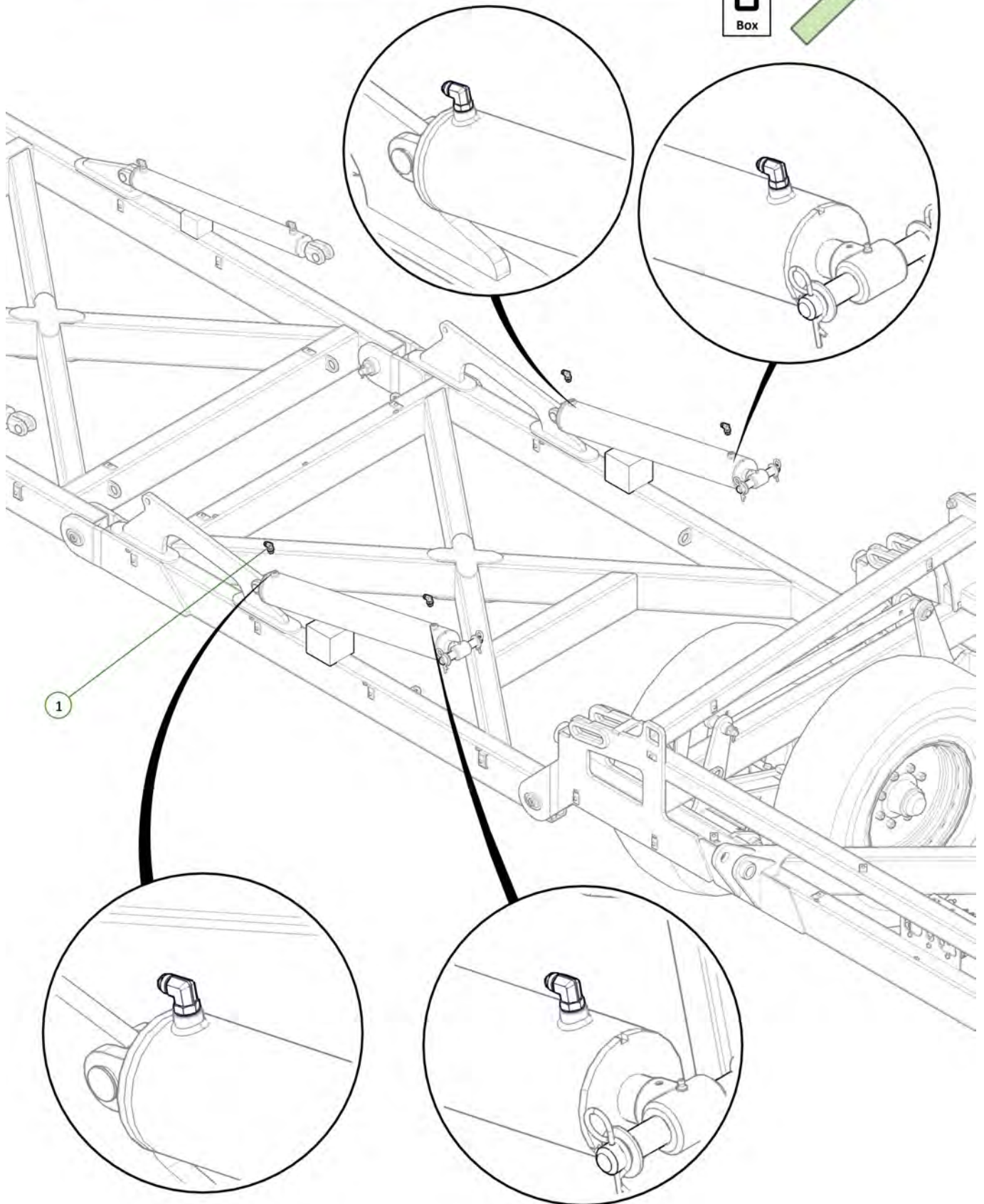


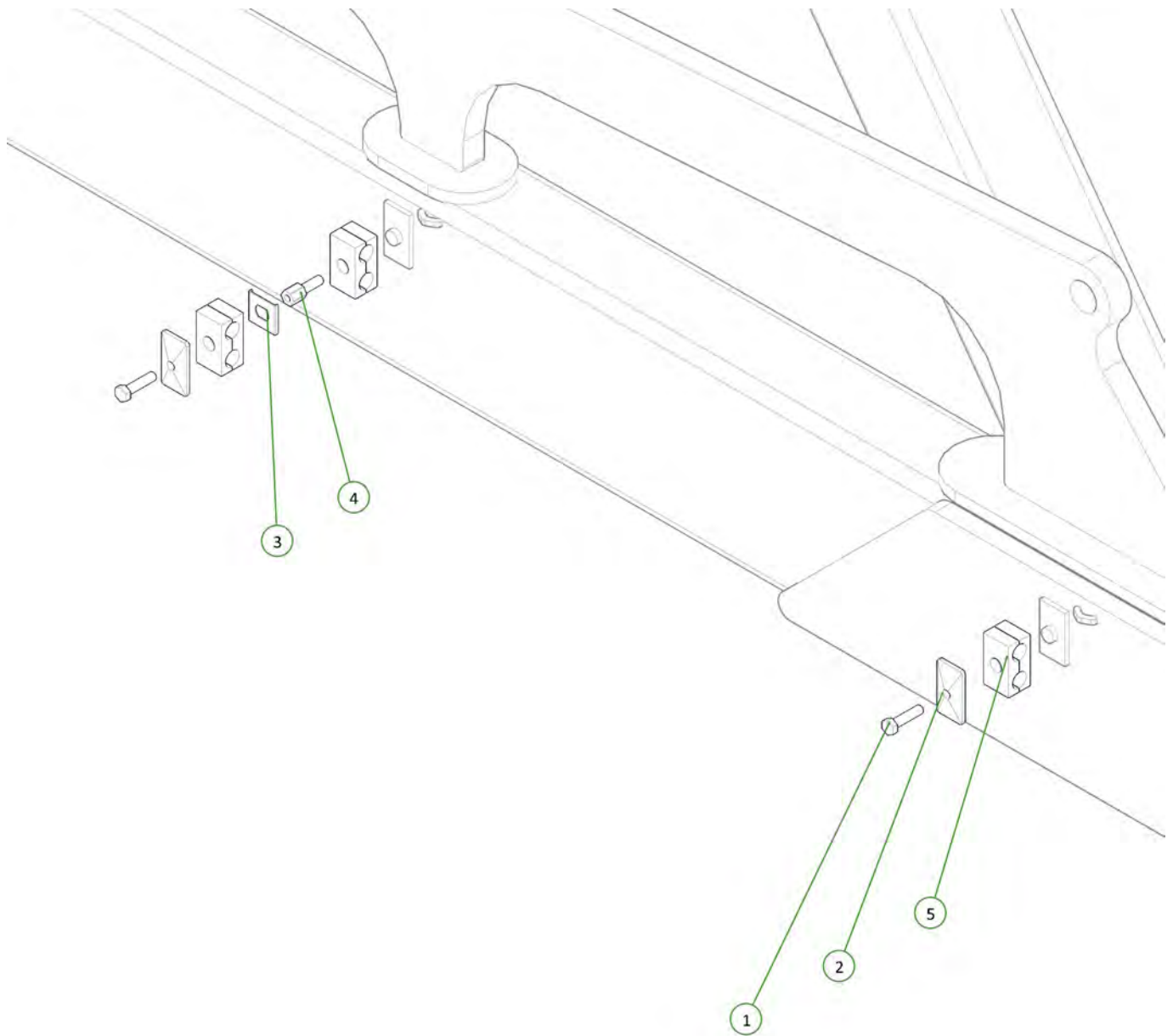
Item No.	Description	Qty	Number
1	5" Bore x 36" Stroke 2" Rod Cylinder with 3" Stop Tube	2	0311-5365T





Item No.	Description	Qty	Number
1	3/4" JIC Male 3/4" UN O Ring Male 90° Elbow	4	0323-S91-1212



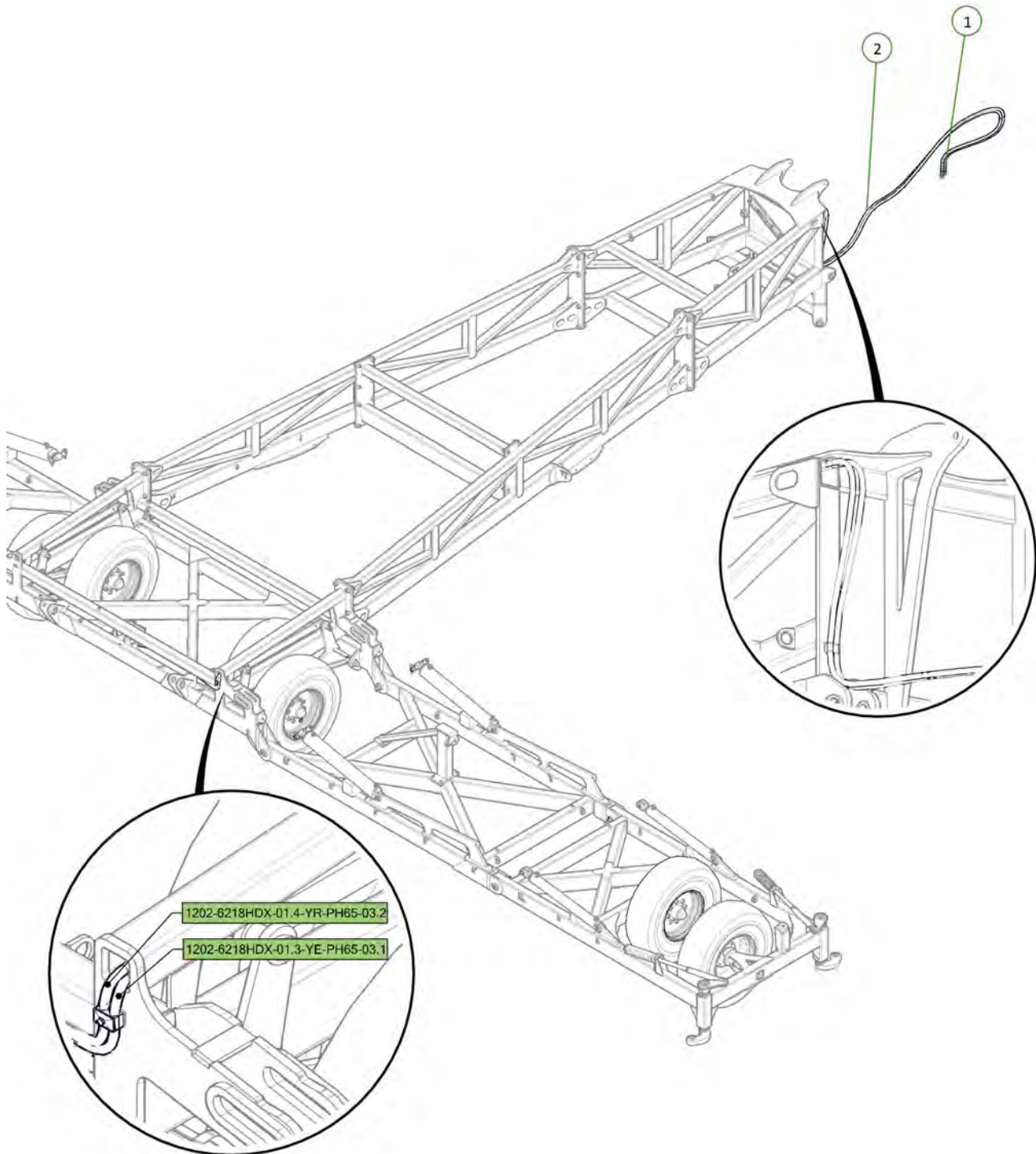
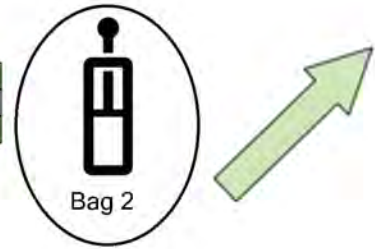


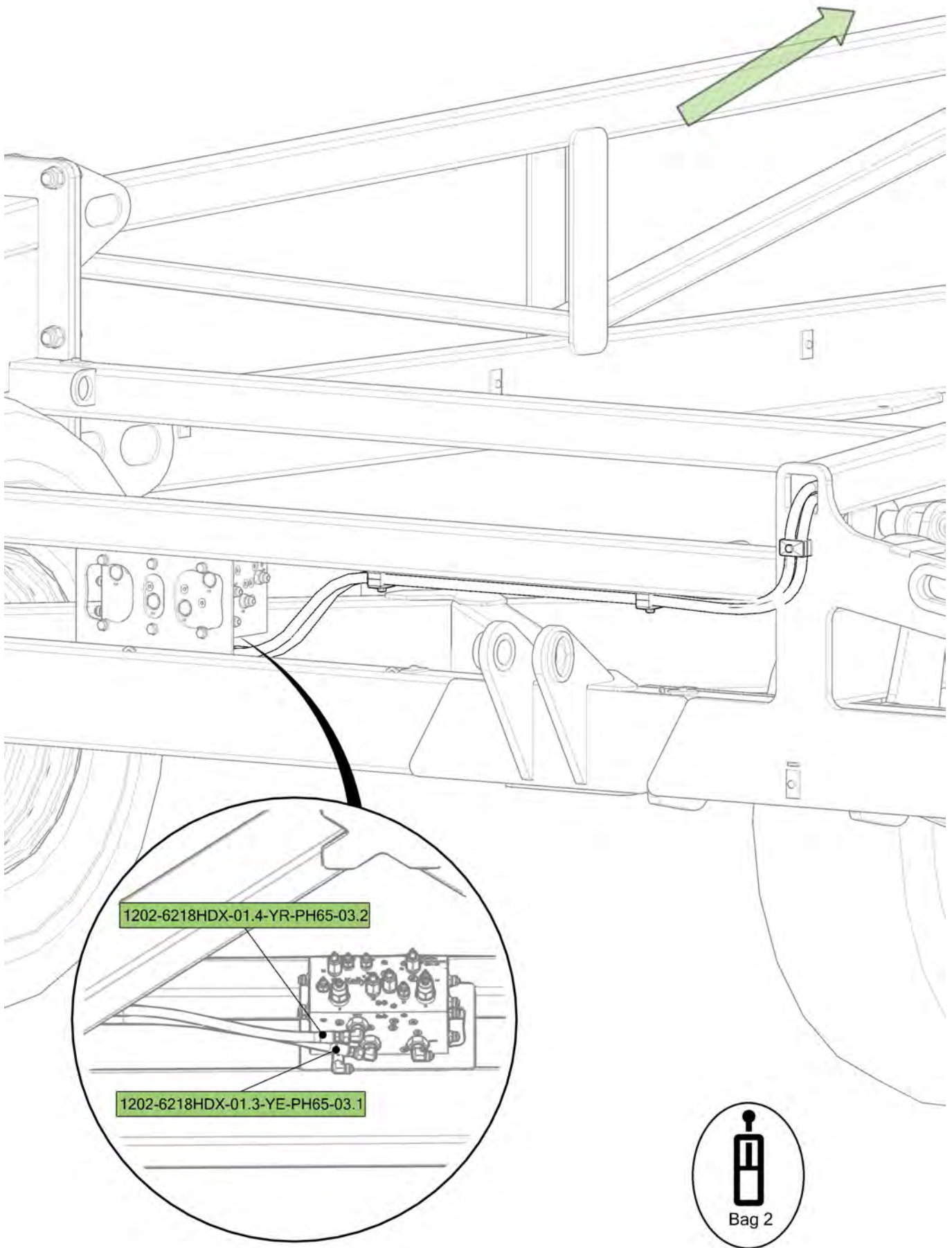
Example of a Single and Double Hydraulic Clamp Stack

Item No.	Description	Qty	Number
1	RCD Double Clamp Bolt No 2	2	0325-RCD-2BH
2	RCD Double Clamp Top Plate No 2	2	0325-RCD-2PT
3	Double Clamp Stacking Plate (Non Ryco)	1	0325-SI-2-5D-W3
4	RCD Double Clamp Stacking Bolt No 2	1	0325-RCD-2BS
5	RCD Double Clamp Jaws 17mm	3	0325-RCD-17J

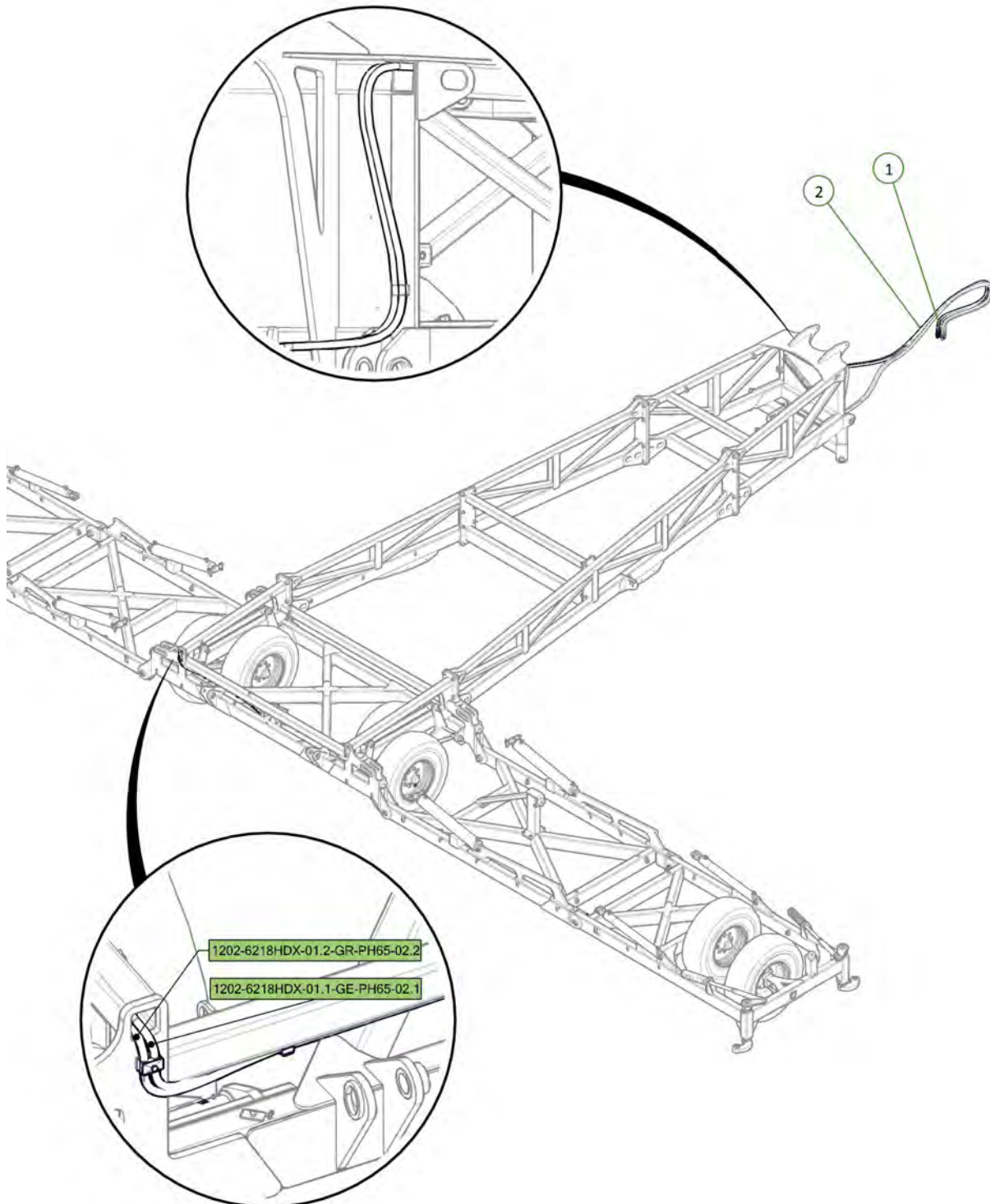
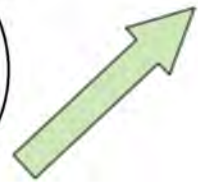


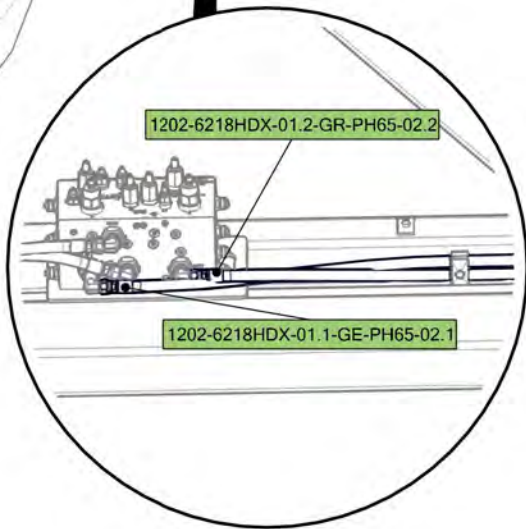
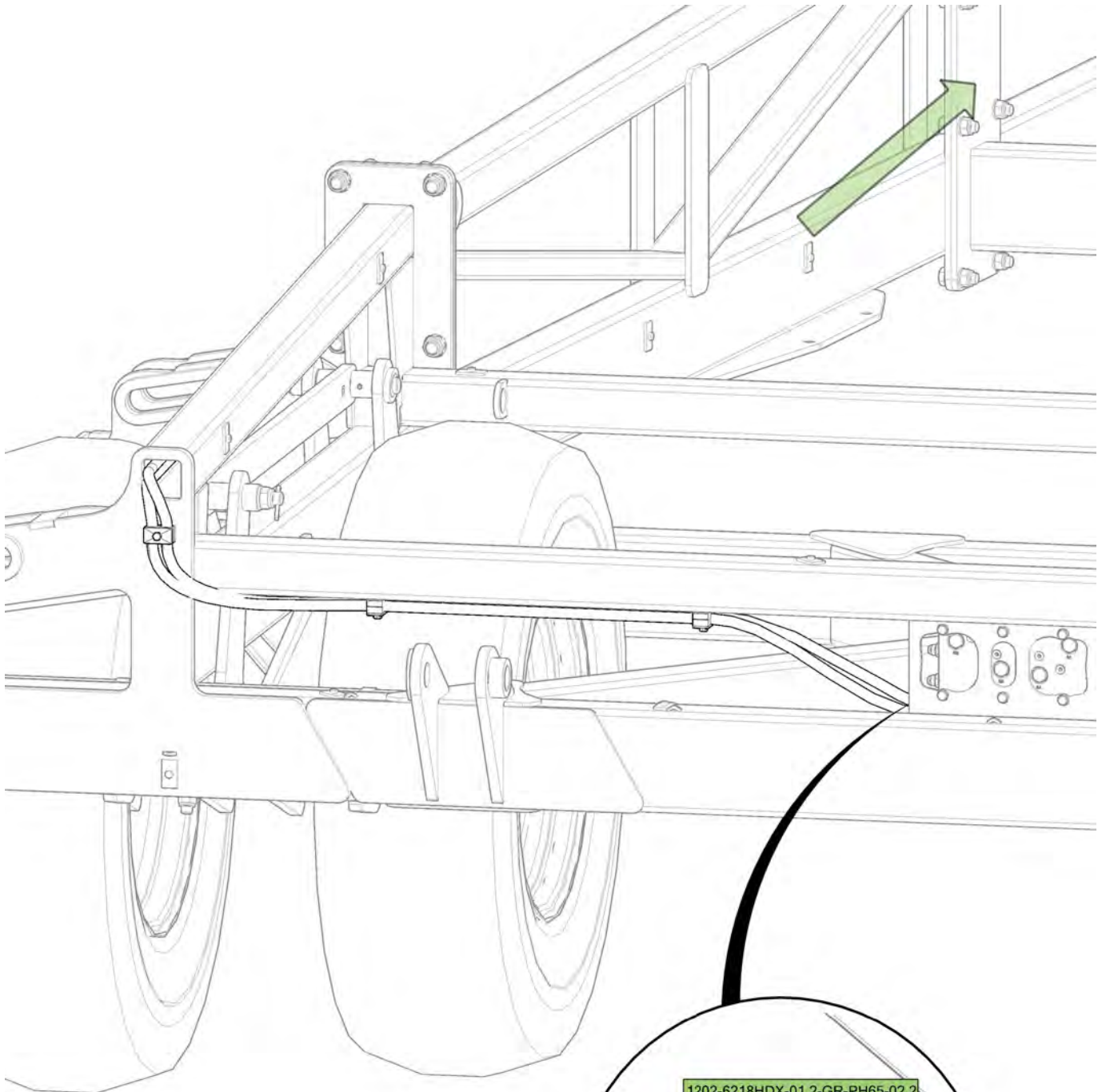
Item No.	Description	Qty	Number
1	Tractor to Sequence Valve EXT2 Port fitted with Yellow EXT Grip	1	1202-6218HDX-01.3-YE-PH65-03.1
2	Tractor to Sequence Valve RCT2 Port fitted with Yellow RCT Grip	1	1202-6218HDX-01.4-YR-PH65-03.2

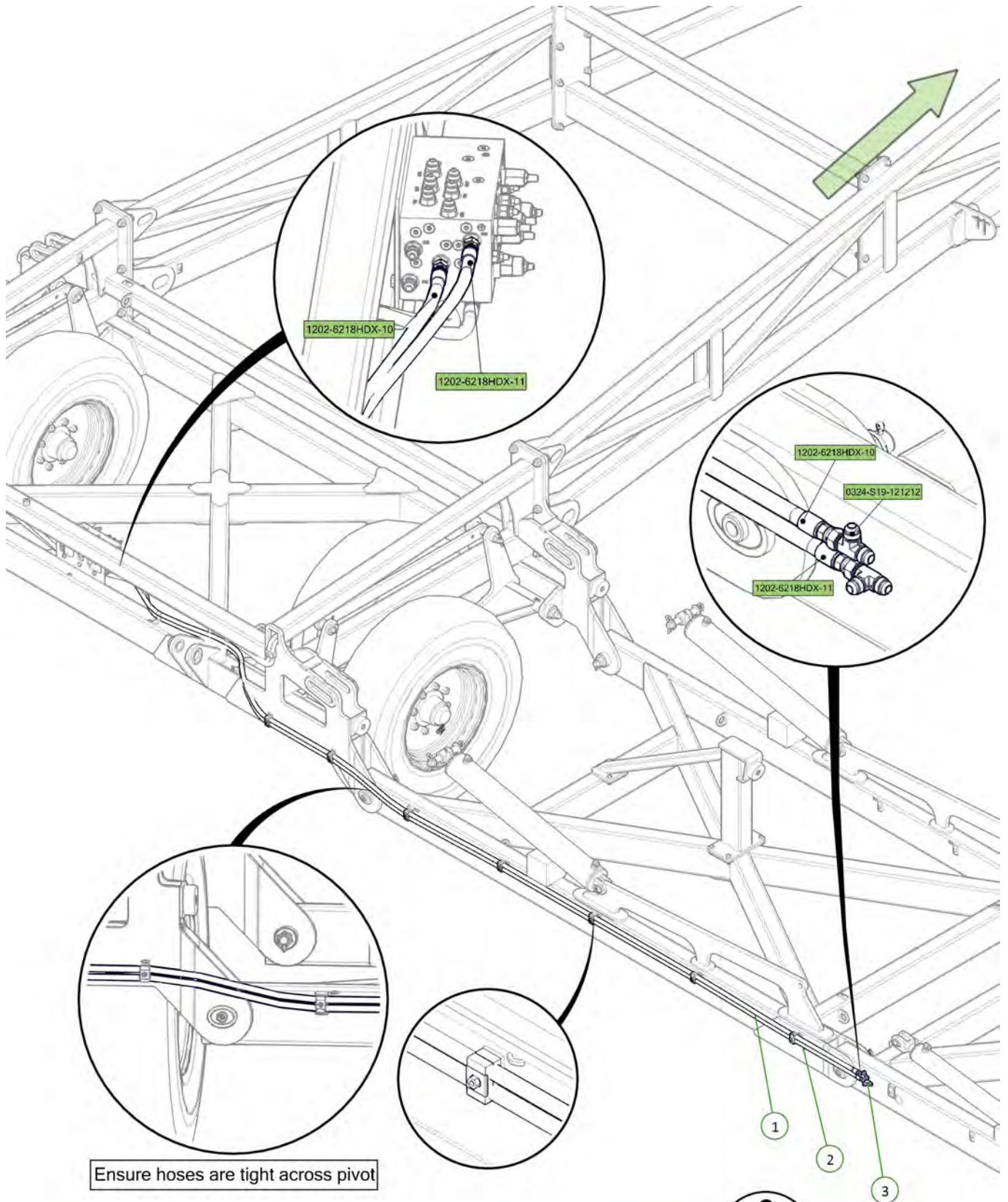




Item No.	Description	Qty	Number
1	Tractor to Sequence Valve EXT1 Port fitted with Green EXT Grip	1	1202-6218HDX-01.1-GE-PH65-02.1
2	Tractor to Sequence Valve RCT1 Port fitted with Green RCT Grip	1	1202-6218HDX-01.2-GR-PH65-02.2



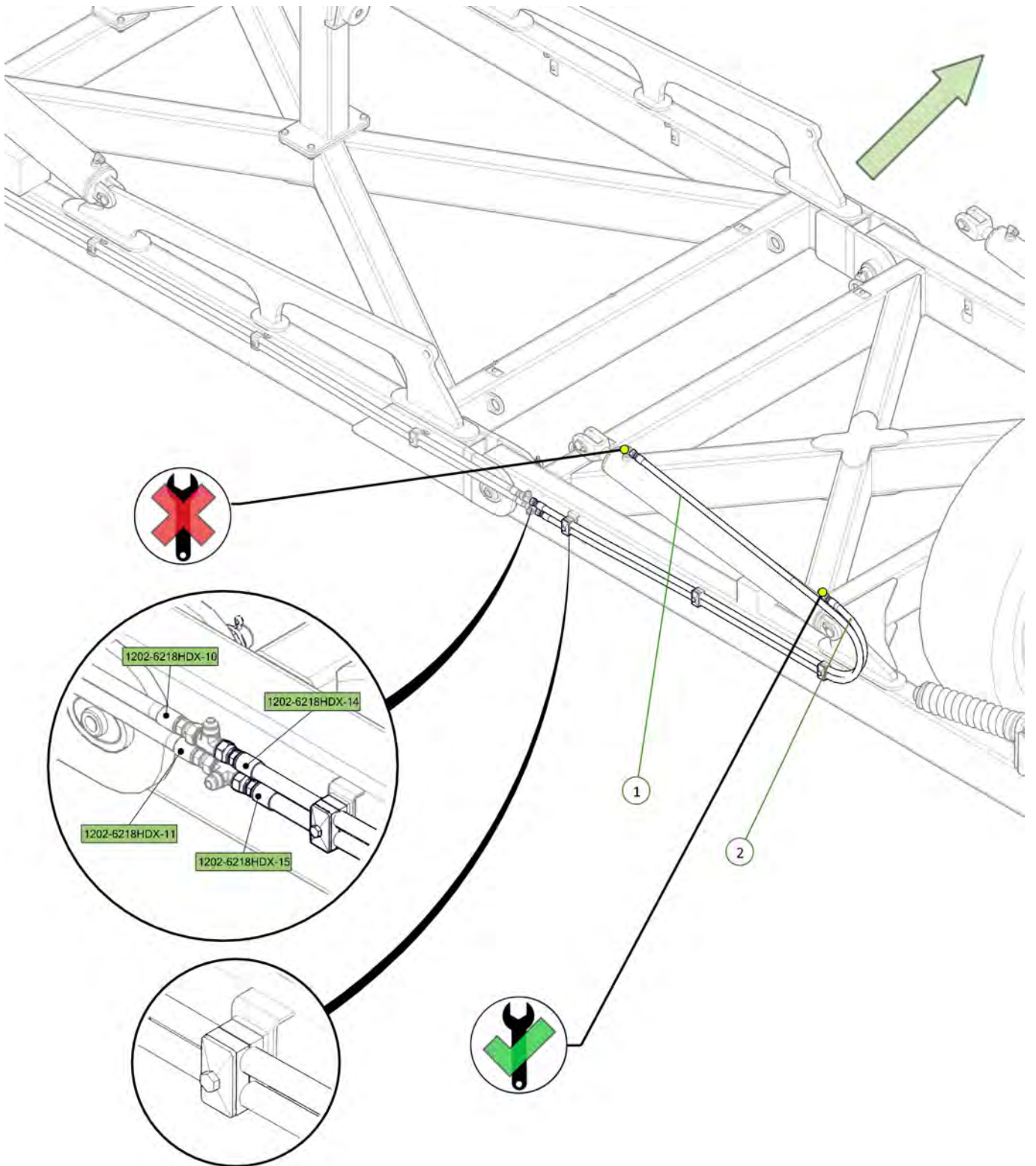




Ensure hoses are tight across pivot

Item No.	Description	Qty	Number
1	RH Sequence Valve RE Port to RH Outer Wing Extend Tee	1	1202-6218HDX-10
2	RH Sequence Valve RR Port to RH Outer Wing Retract Tee	1	1202-6218HDX-11
3	3/4" JIC Male Tee 3/4" JIC Male Tee 3/4" JIC Male Tee	2	0324-S19-121212

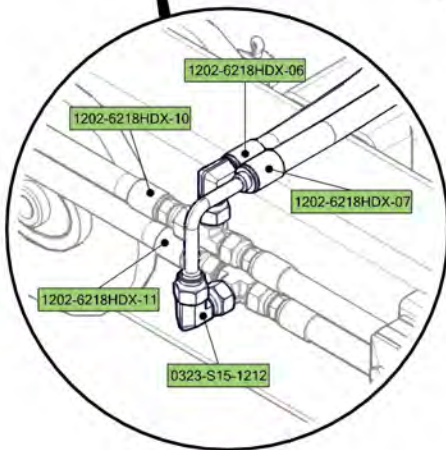
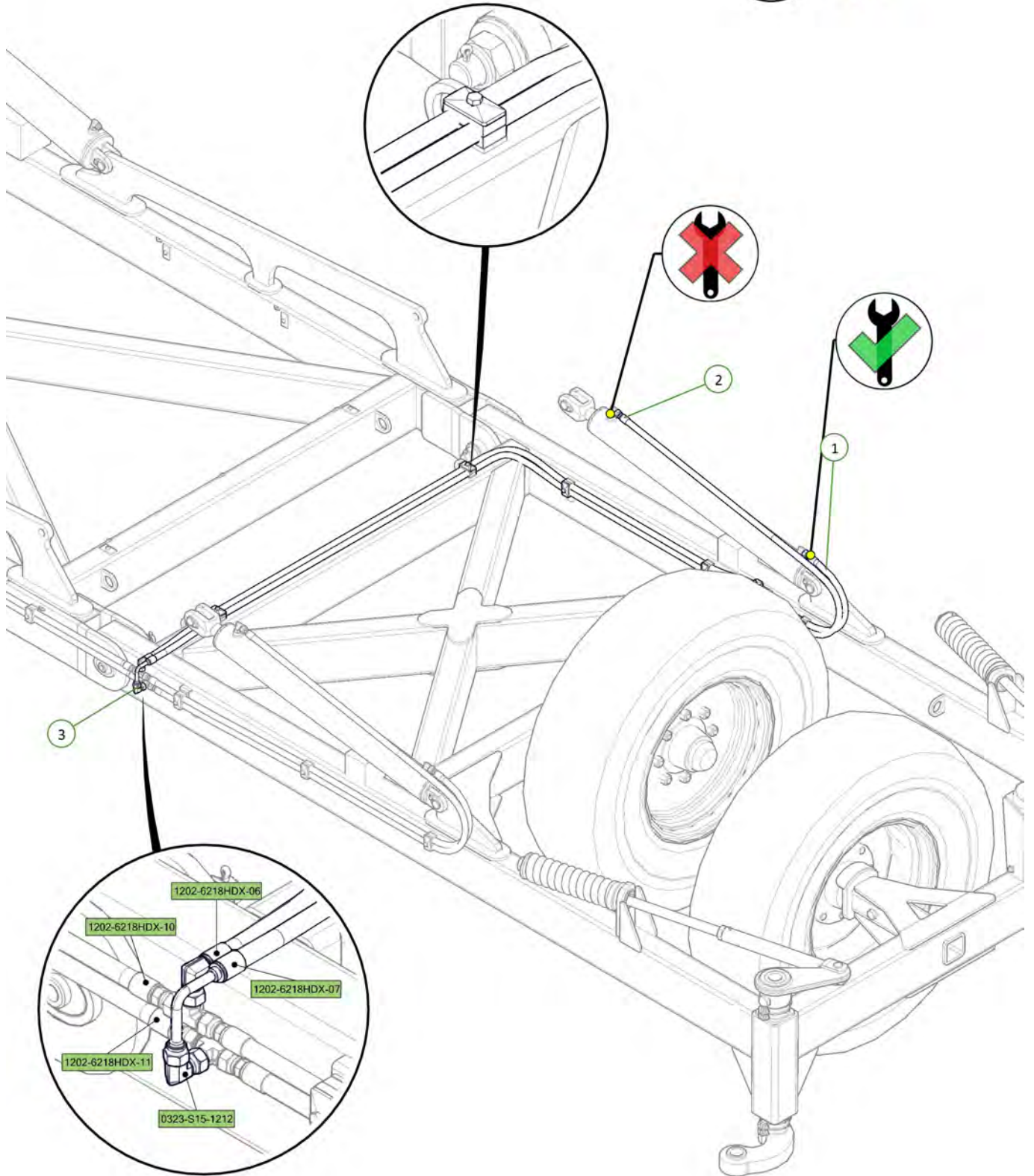


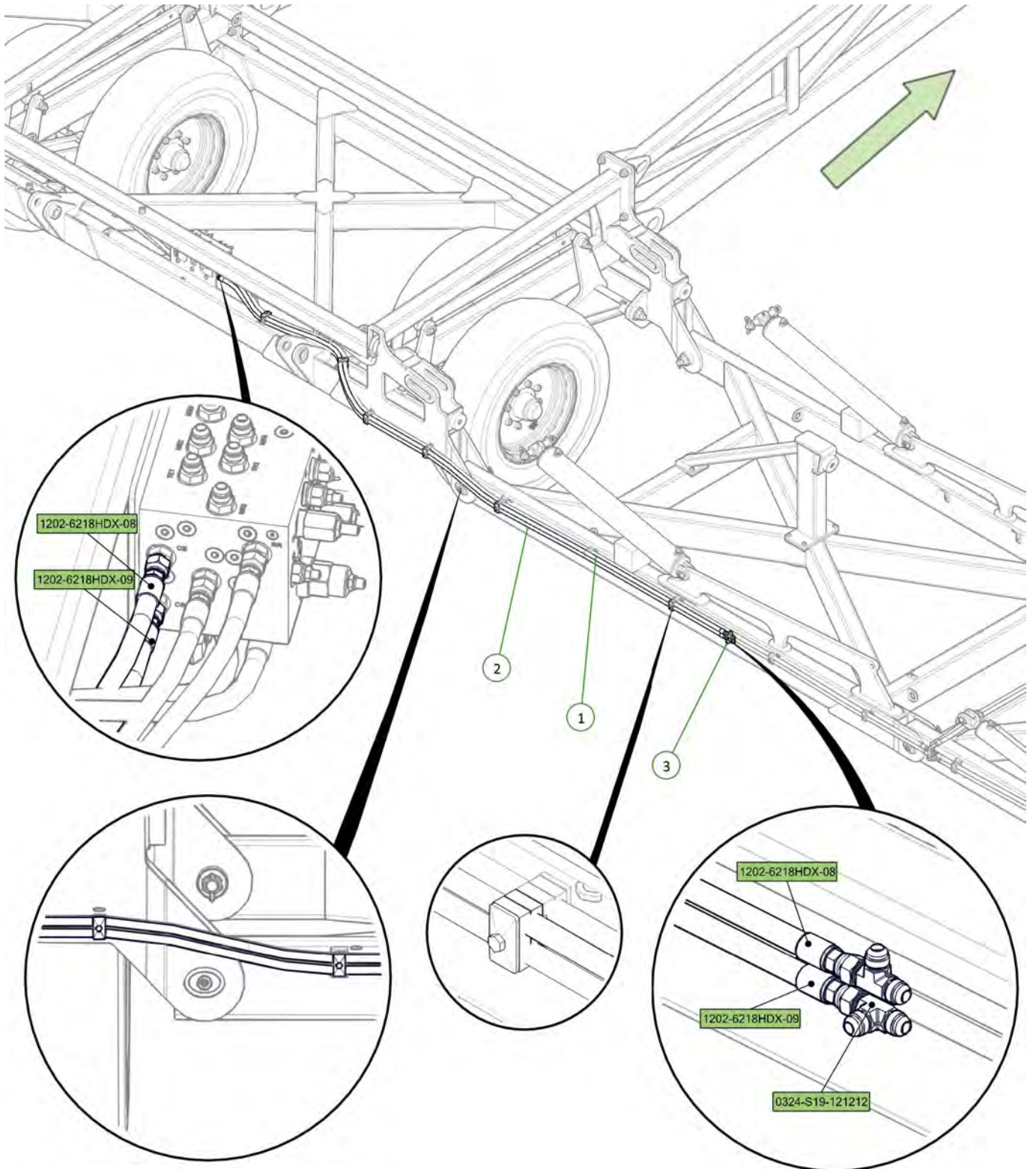


Item No.	Description	Qty	Number
1	RH Outer Wing Extend Tee to RH Outer Wing Rear Cylinder Extend Port	1	1202-6218HDX-14
2	RH Outer Wing Retract Tee to RH Outer Wing Rear Cylinder Retract Port	1	1202-6218HDX-15



Item No.	Description	Qty	Number
1	RH Outer Wing Extend Tee to RH Outer Wing Front Cylinder Extend Port	1	1202-6218HDX-06
2	RH Outer Wing Retract Tee to RH Outer Wing Front Cylinder Retract Port	1	1202-6218HDX-07
3	3/4" JIC Male 3/4" JIC Female Swivel 90° Elbow	1	0323-S15-1212

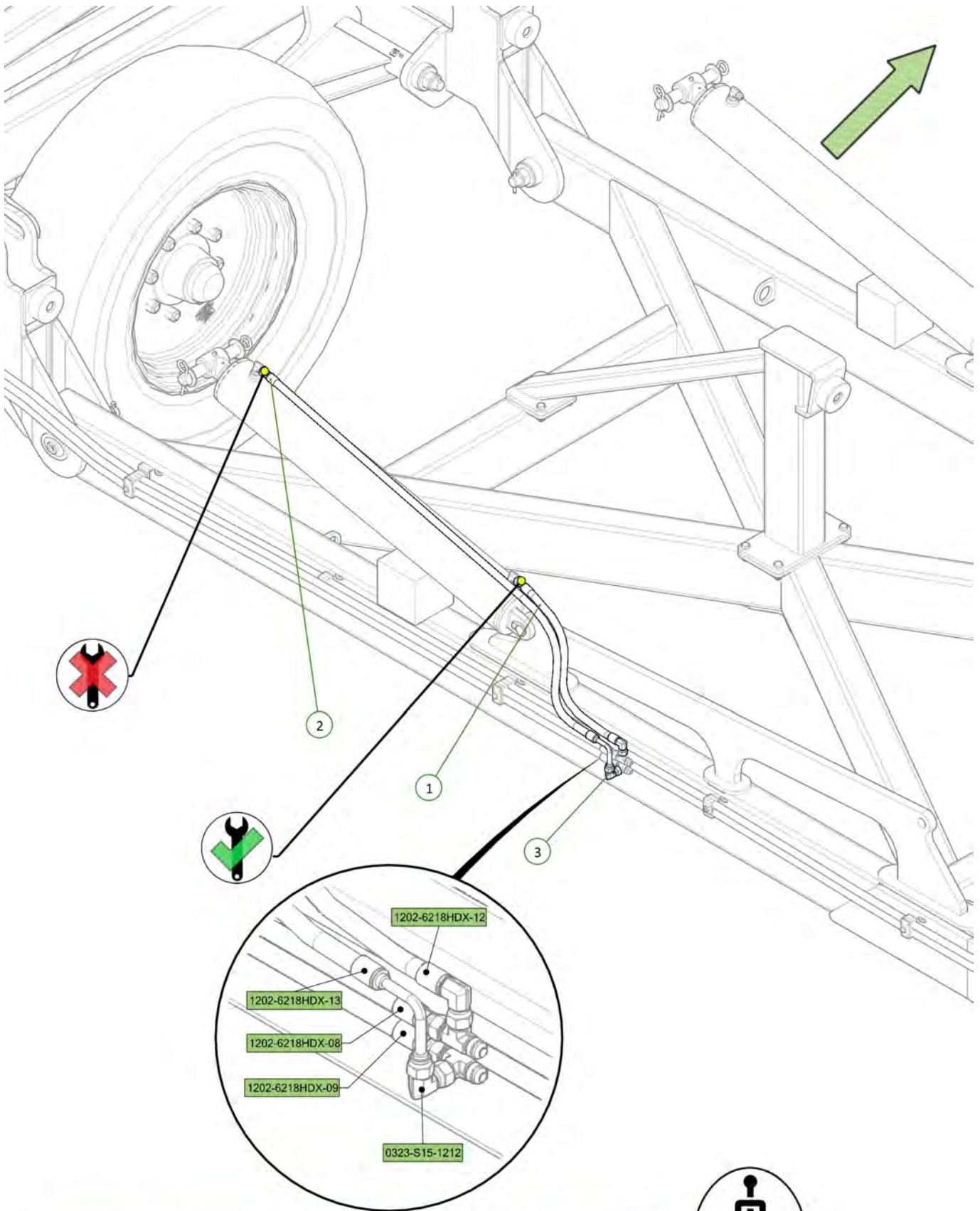




Ensure hoses are tight across pivot

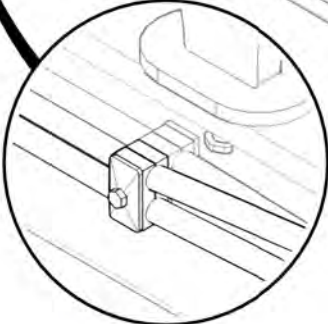
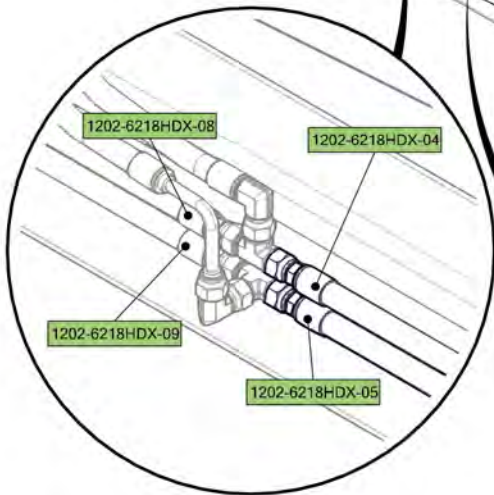
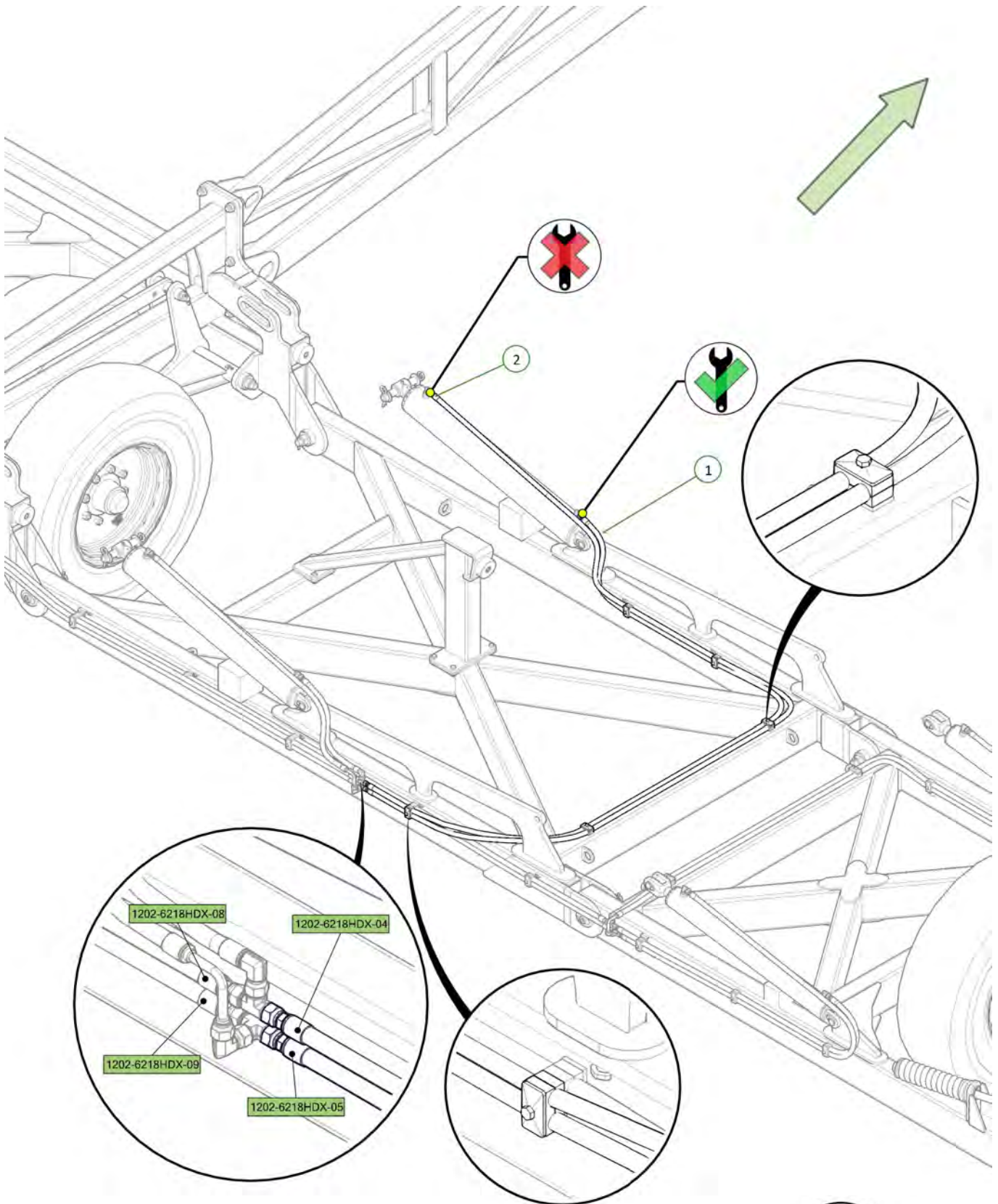
Item No.	Description	Qty	Number
1	RH Sequence Valve CE Port to RH Inner Wing Extend Tee	1	1202-6218HDX-08
2	RH Sequence Valve CR Port to RH Inner Wing Retract Tee	1	1202-6218HDX-09
3	3/4" JIC Male Tee 3/4" JIC Male Tee 3/4" JIC Male Tee	2	0324-S19-121212





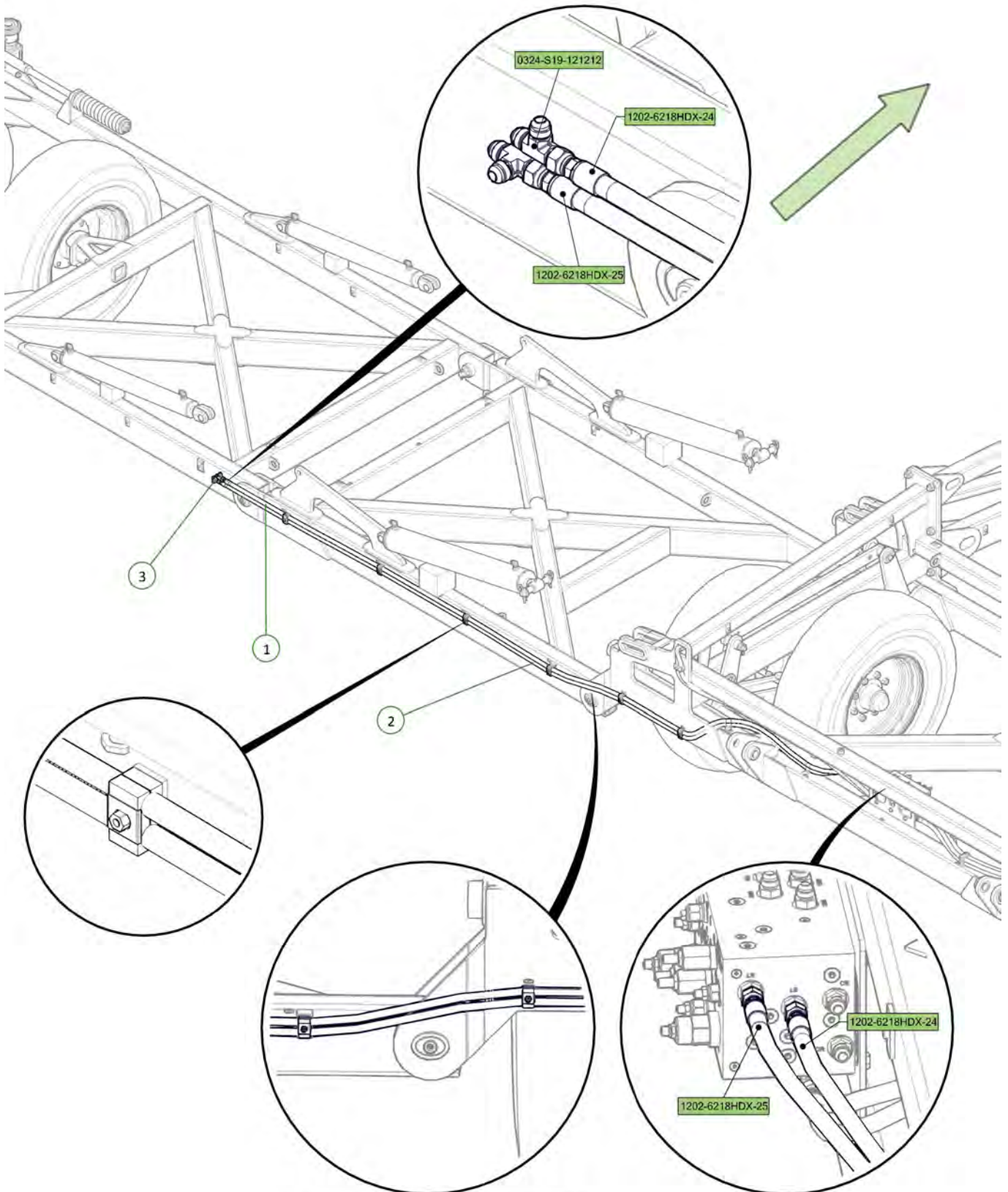
Item No.	Description	Qty	Number
1	RH Inner Wing Extend Tee to RH Inner Wing Rear Cylinder Extend Port	1	1202-6218HDX-12
2	RH Inner Wing Retract Tee to RH Inner Wing Rear Cylinder Retract Port	1	1202-6218HDX-13
3	3/4" JIC Male 3/4" JIC Female Swivel 90° Elbow	1	0323-S15-1212





Item No.	Description	Qty	Number
1	RH Inner Wing Extend Tee to RH Inner Wing Front Cylinder Extend Port	1	1202-6218HDX-04
2	RH Inner Wing Retract Tee to RH Inner Wing Front Cylinder Retract Port	1	1202-6218HDX-05

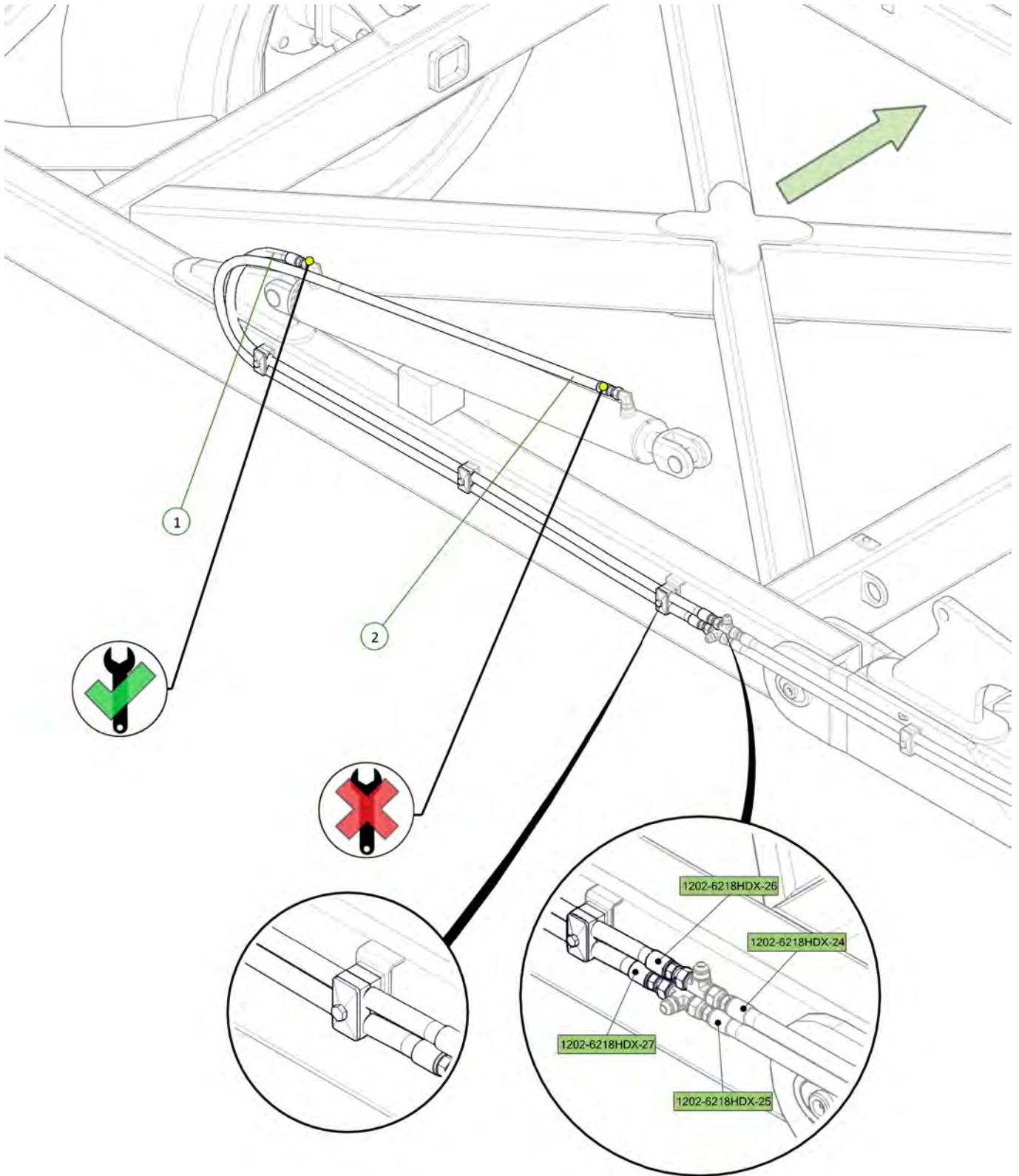




Ensure hoses are tight across pivot

Item No.	Description	Qty	Number
1	LH Sequence Valve LE Port to LH Outer Wing Extend Tee	1	1202-6218HDX-24
2	LH Sequence Valve LR Port to LH Outer Wing Cylinder Retract Tee	1	1202-6218HDX-25
3	3/4" JIC Male Tee 3/4" JIC Male Tee 3/4" JIC Male Tee	2	0324-S19-121212

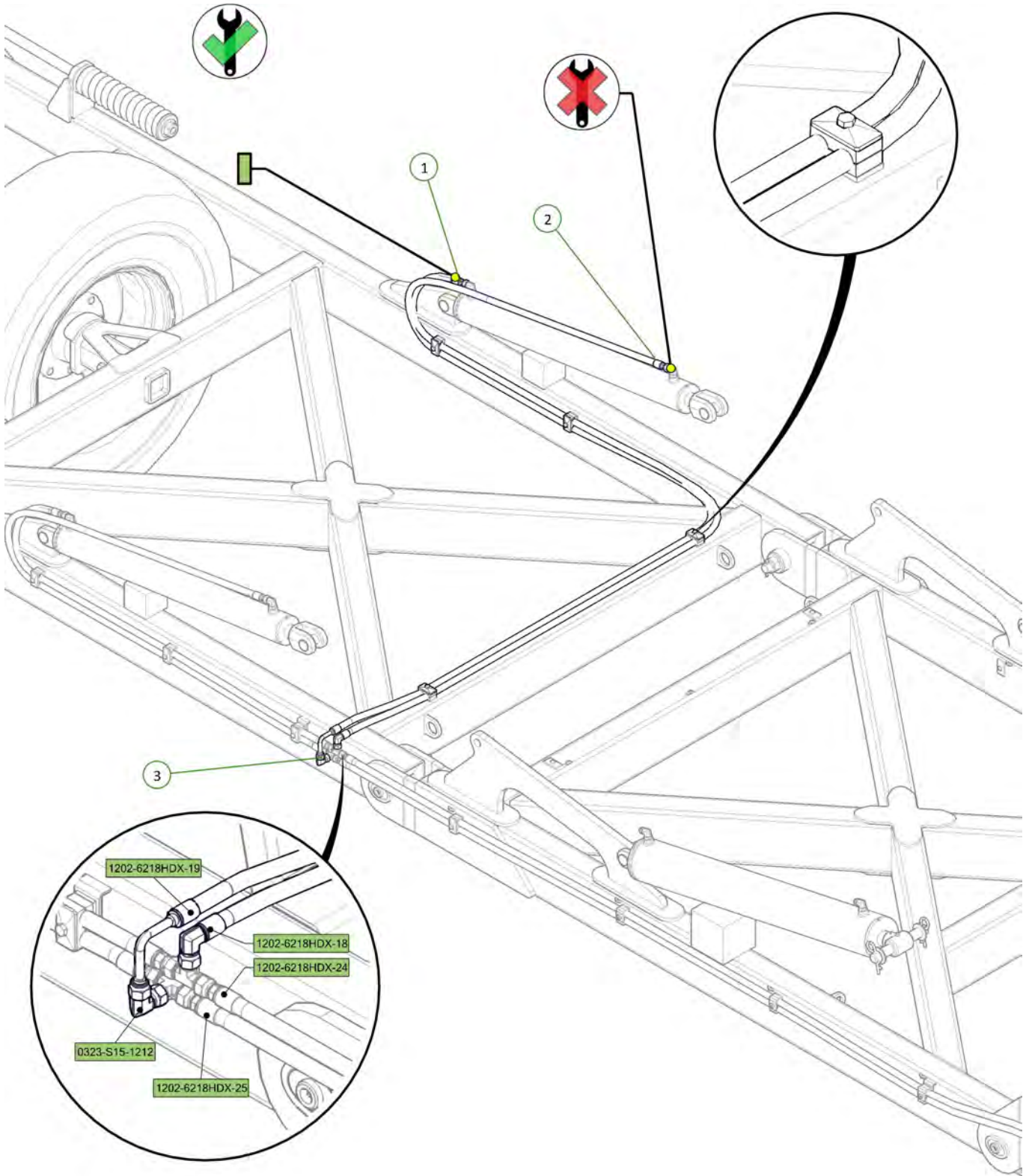


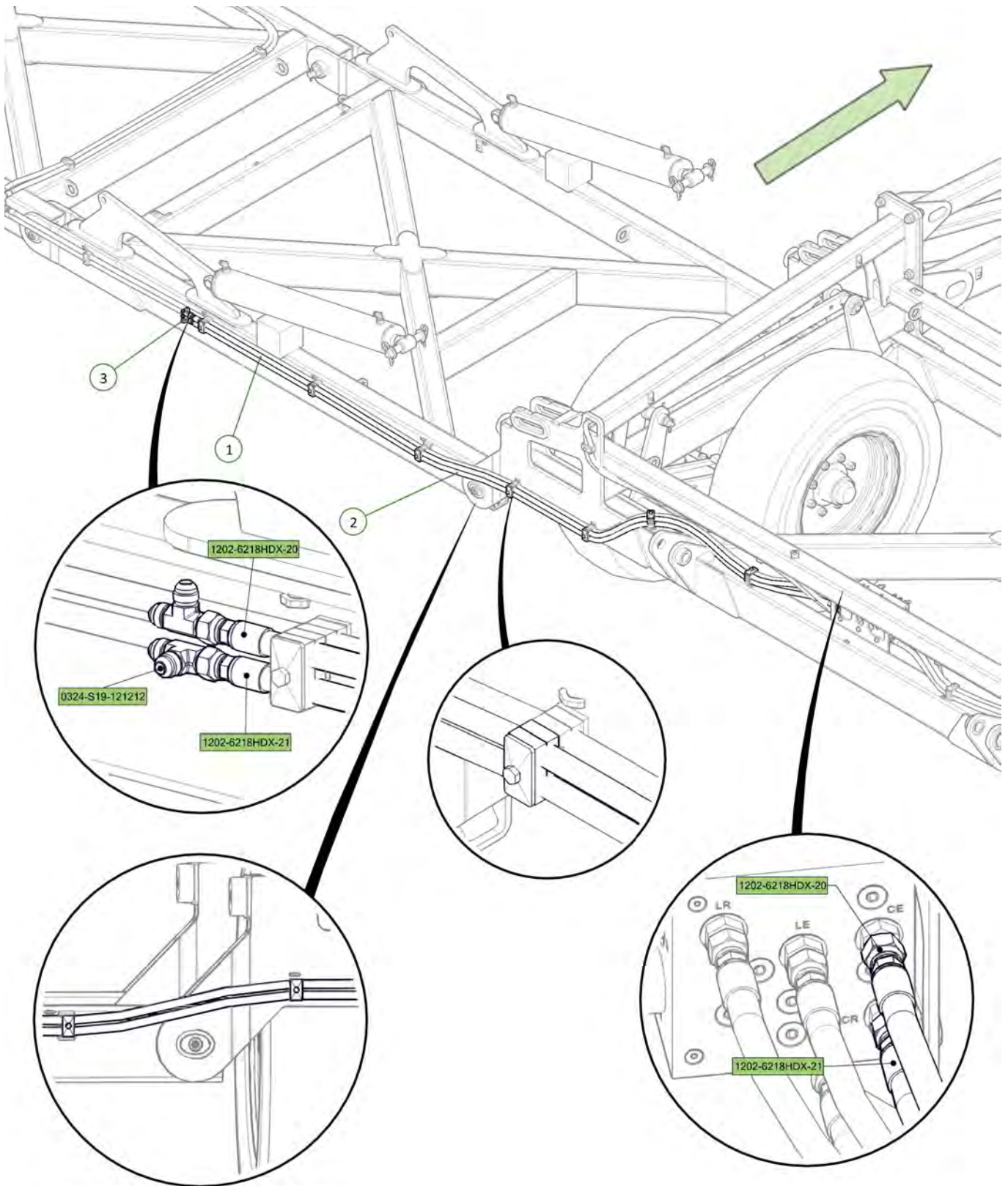


Item No.	Description	Qty	Number
1	LH Outer Wing Extend Tee to LH Outer Wing Rear Cylinder Extend Port	1	1202-6218HDX-26
2	LH Outer Wing Retract Tee to LH Outer Wing Rear Cylinder Retract Port	1	1202-6218HDX-27



Item No.	Description	Qty	Number
1	LH Outer Wing Extend Tee to LH Outer Wing Front Cylinder Extend Port	1	1202-6218HDX-18
2	LH Outer Wing Retract Tee to LH Outer Wing Front Cylinder Retract Port	1	1202-6218HDX-19
3	3/4" JIC Male 3/4" JIC Female Swivel 90° Elbow	1	0323-S15-1212

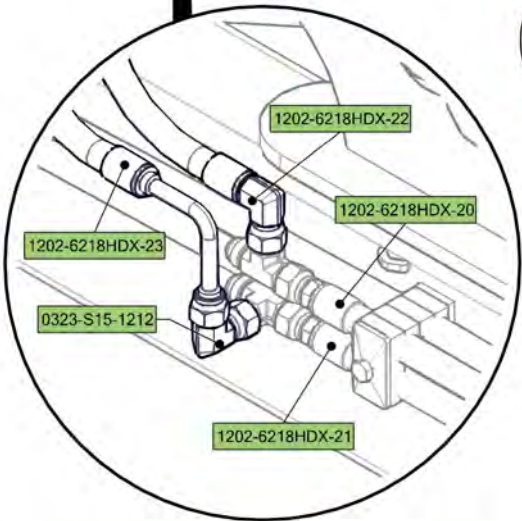
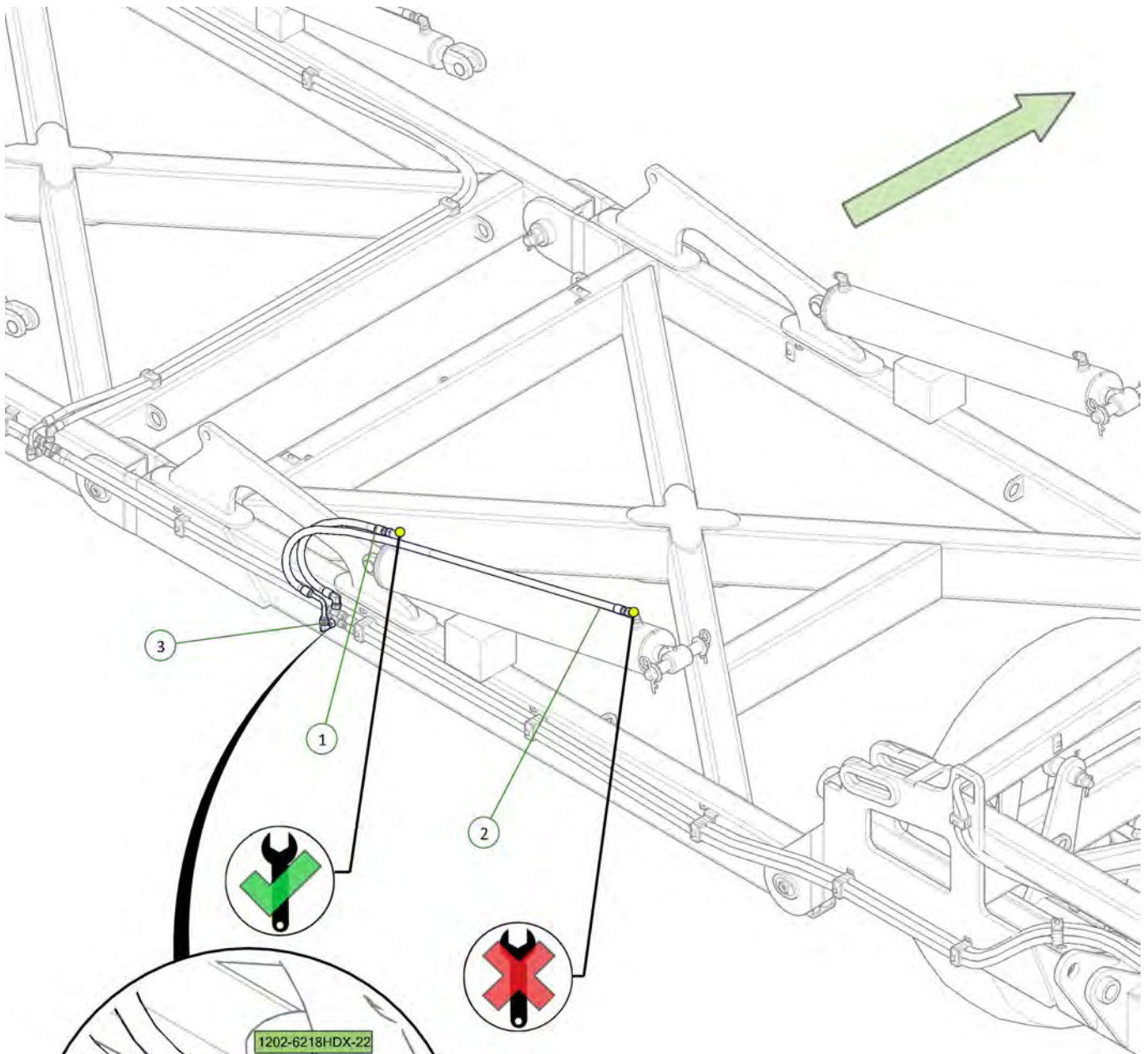




Ensure hoses are tight across pivot

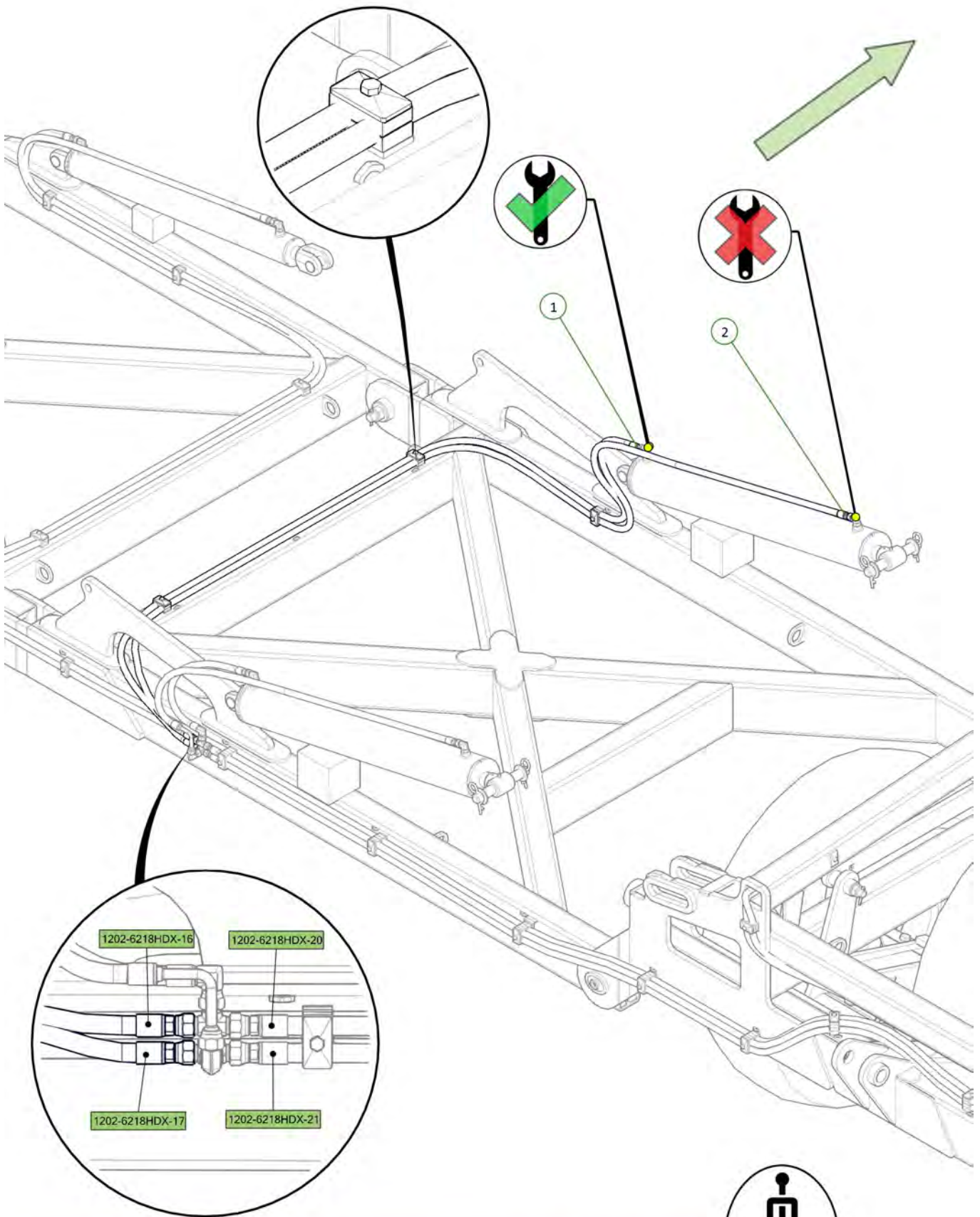
Item No.	Description	Qty	Number
1	LH Sequence Valve CE Port to LH Inner Wing Extend Tee	1	1202-6218HDX-20
2	LH Sequence Valve CR Port to LH Inner Wing Retract Tee	1	1202-6218HDX-21
3	3/4" JIC Male Tee 3/4" JIC Male Tee 3/4" JIC Male Tee	2	0324-S19-121212





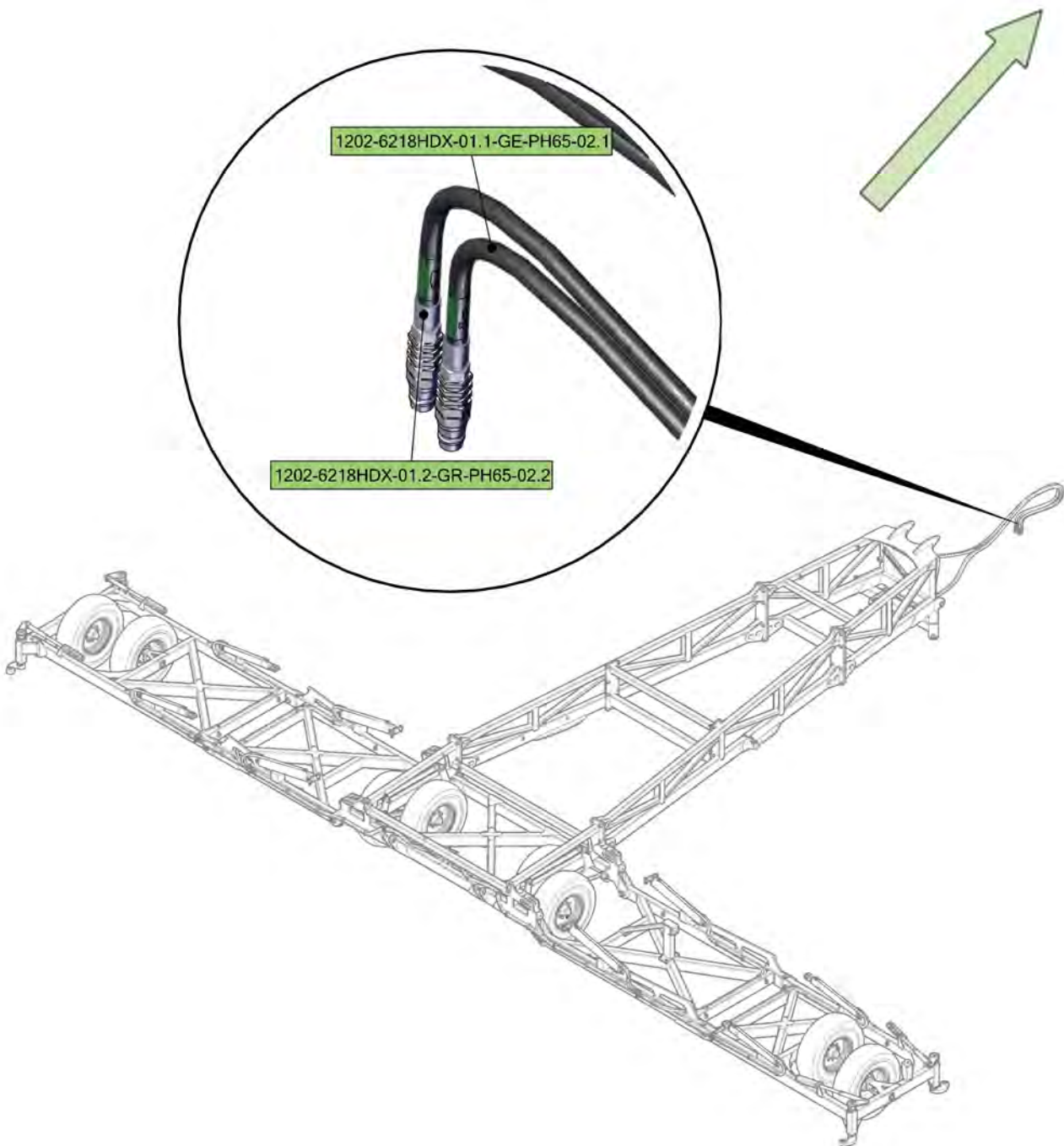
Item No.	Description	Qty	Number
1	LH Inner Wing Extend Tee to LH Inner Wing Rear Cylinder Extend Port	1	1202-6218HDX-22
2	LH Inner Wing Retract Tee to LH Inner Wing Rear Cylinder Retract Port	1	1202-6218HDX-23
3	3/4" JIC Male 3/4" JIC Female Swivel 90° Elbow	1	0323-S15-1212





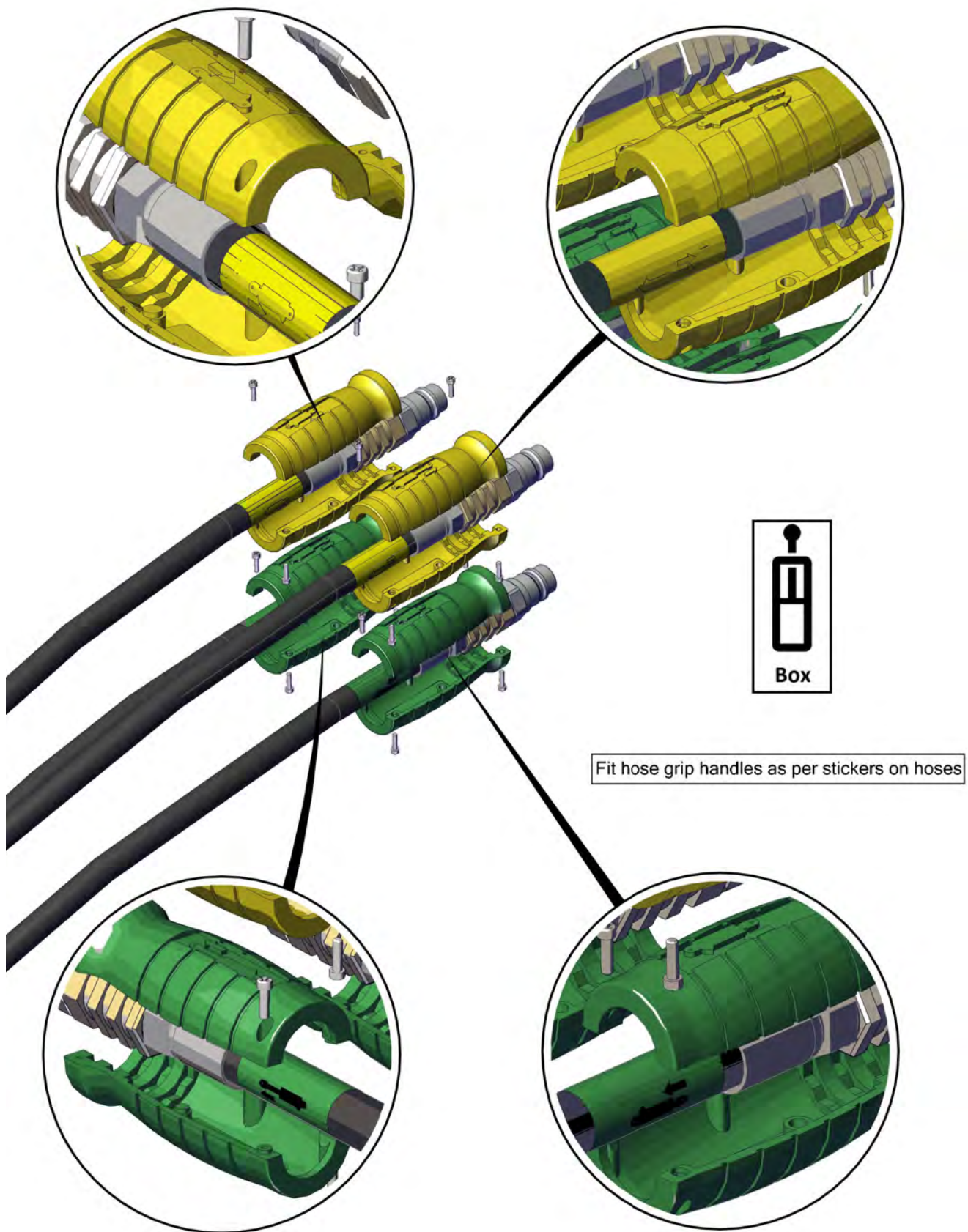
Item No.	Description	Qty	Number
1	LH Inner Wing Extend Tee to LH Inner Wing Front Cylinder Extend Port	1	1202-6218HDX-16
2	LH Inner Wing Retract Tee to LH Inner Wing Front Cylinder Retract Port	1	1202-6218HDX-17

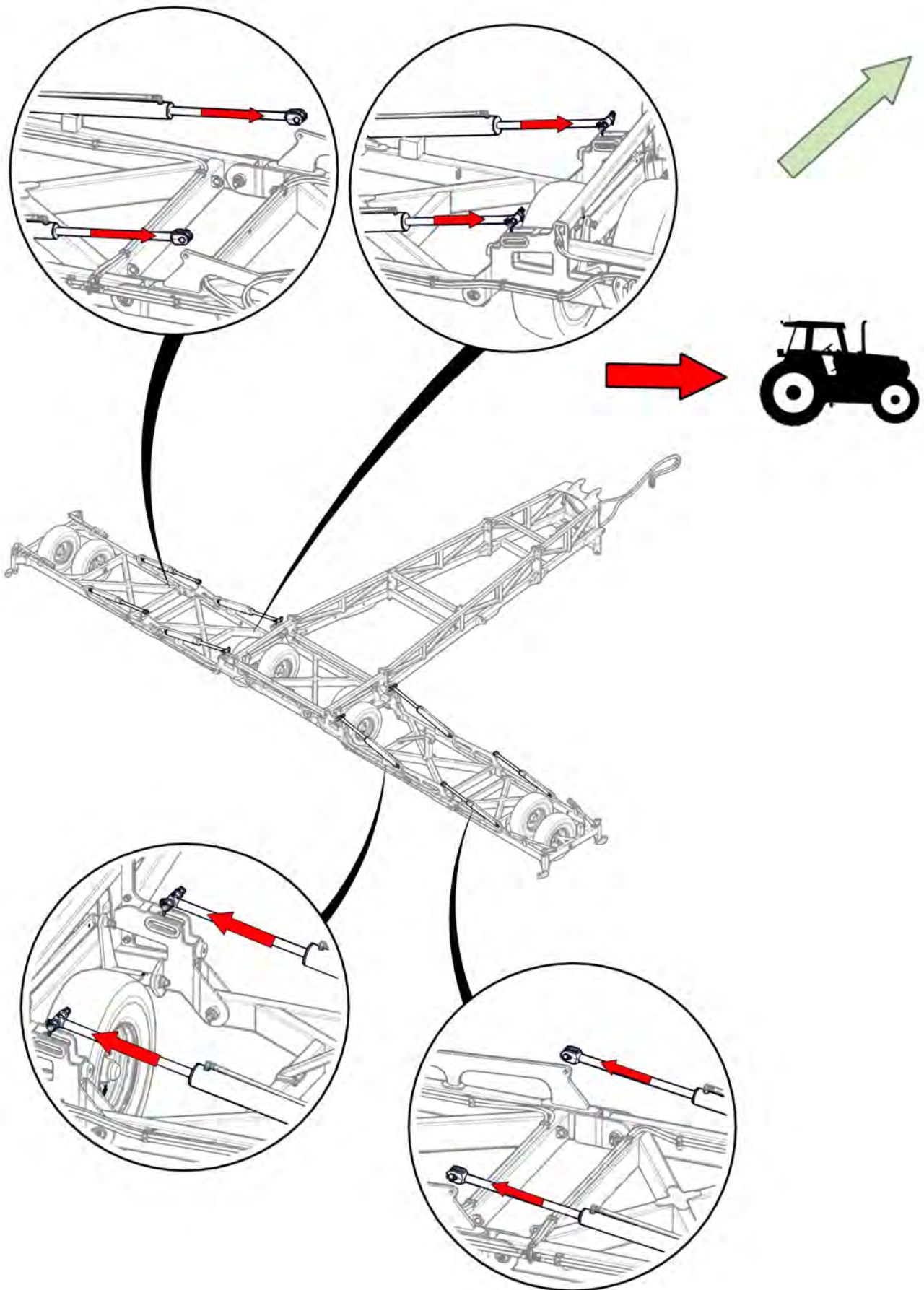


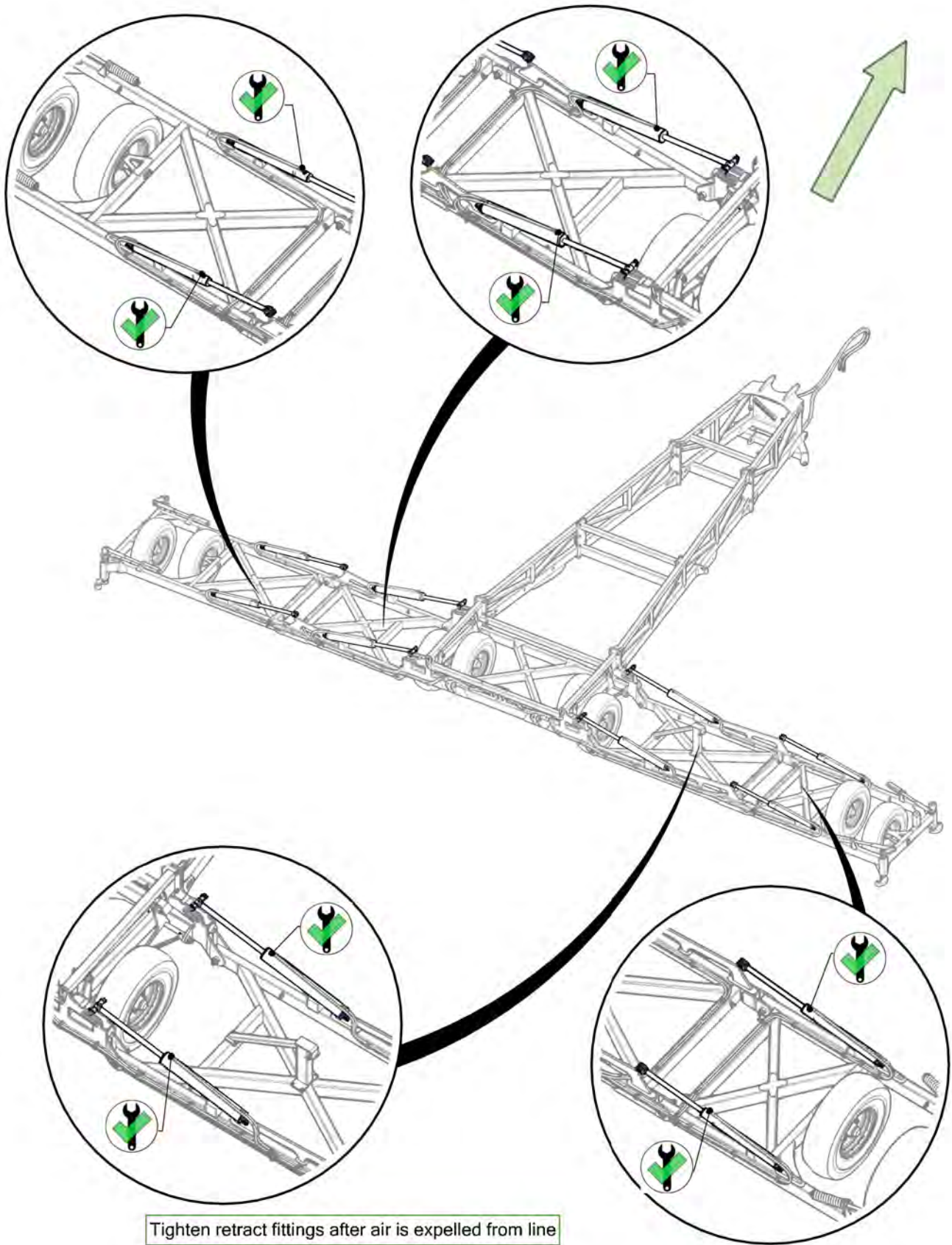


Keep retract hose fittings loose to allow air to escape

Chock cylinders up to prevent clash during extend

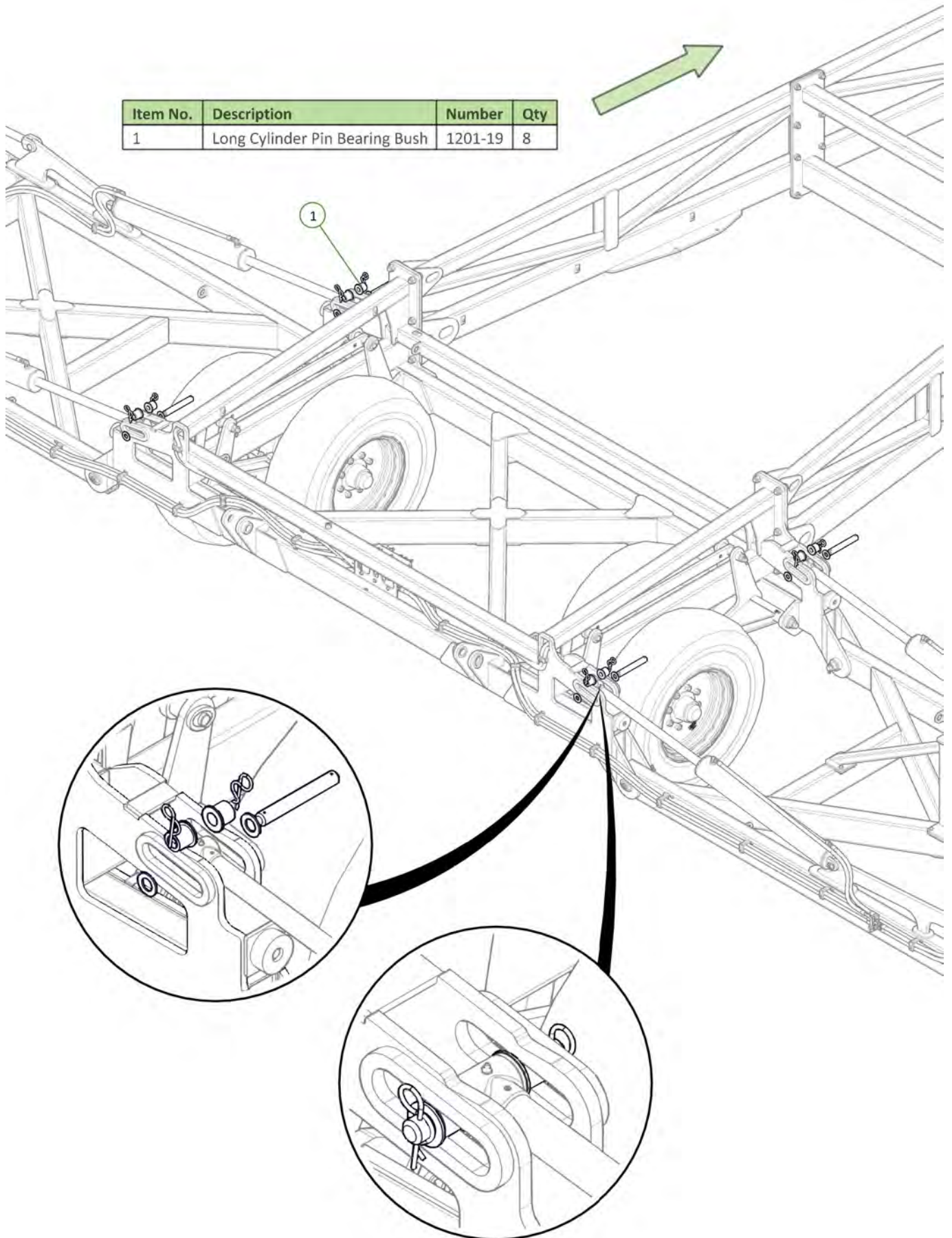


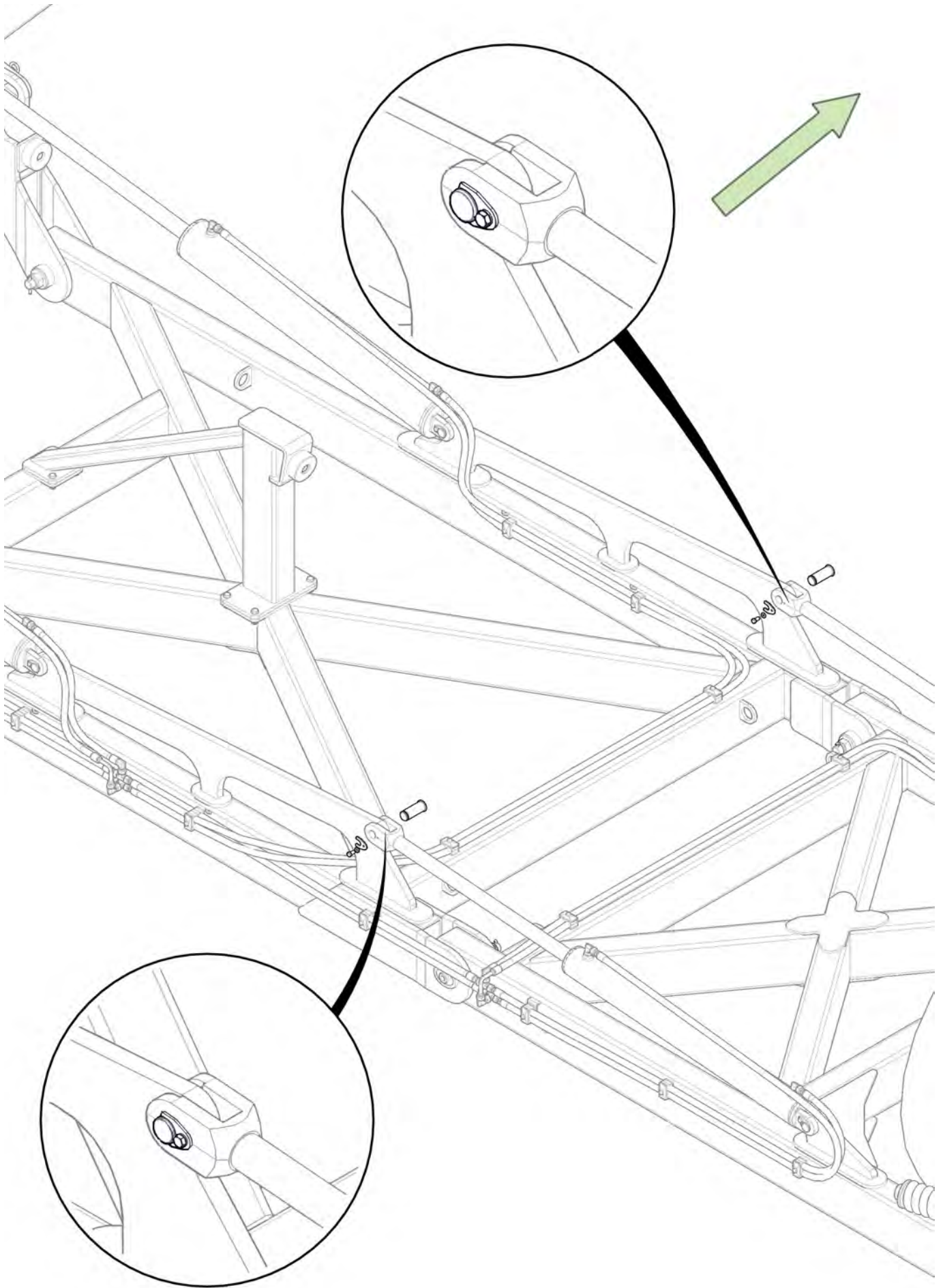


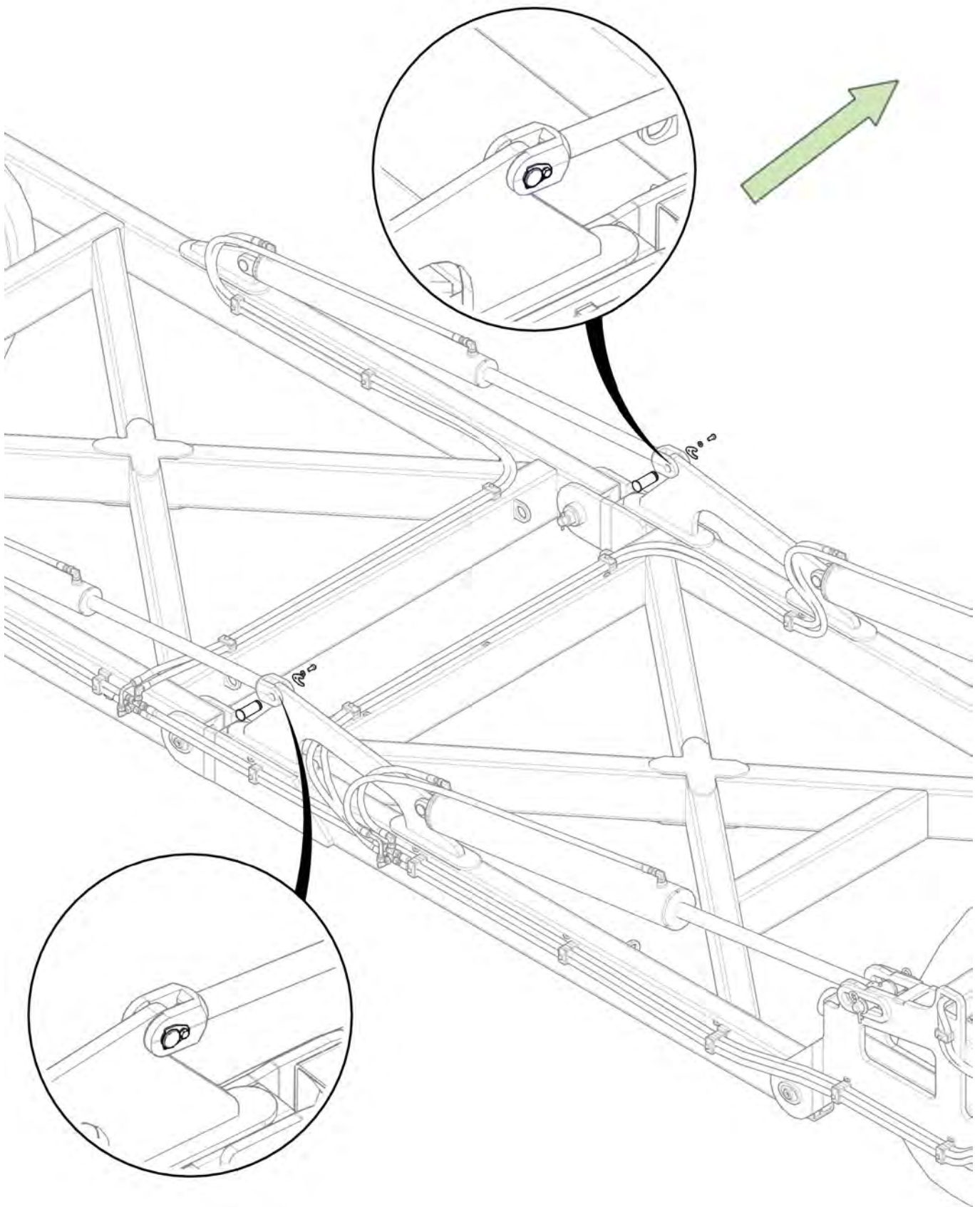


Tighten retract fittings after air is expelled from line

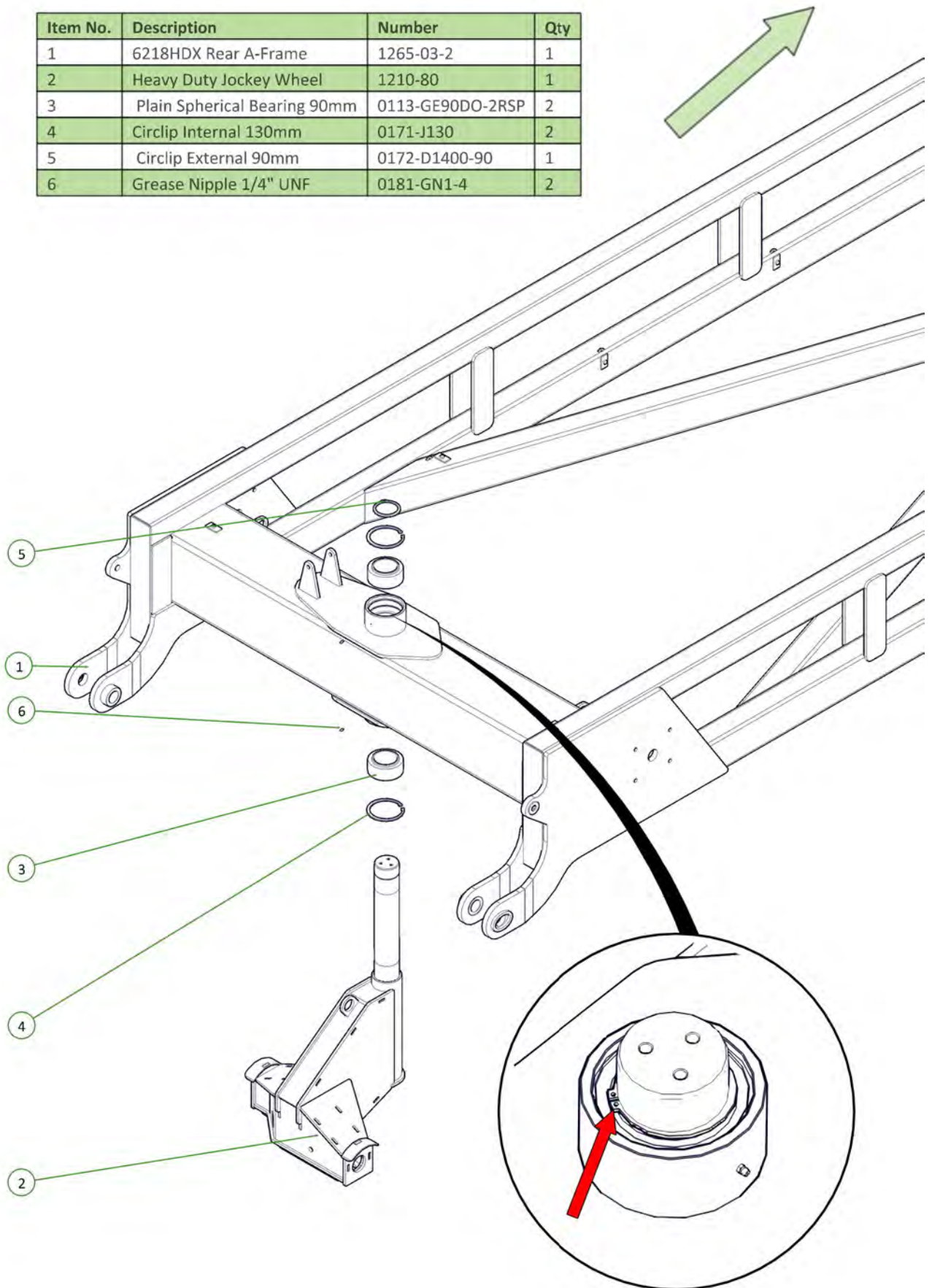
Item No.	Description	Number	Qty
1	Long Cylinder Pin Bearing Bush	1201-19	8



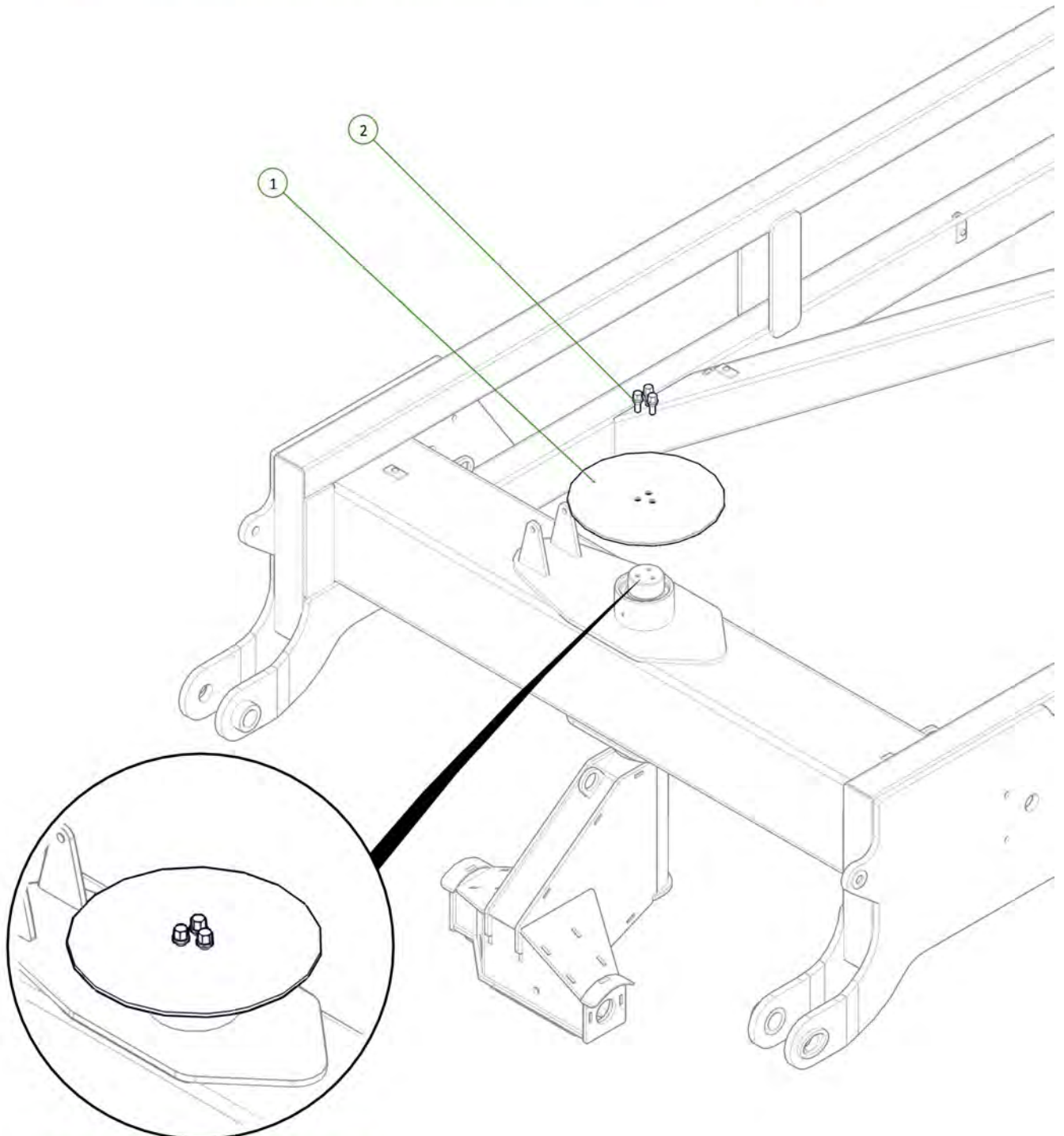




Item No.	Description	Number	Qty
1	6218HDX Rear A-Frame	1265-03-2	1
2	Heavy Duty Jockey Wheel	1210-80	1
3	Plain Spherical Bearing 90mm	0113-GE90DO-2RSP	2
4	Circlip Internal 130mm	0171-J130	2
5	Circlip External 90mm	0172-D1400-90	1
6	Grease Nipple 1/4" UNF	0181-GN1-4	2

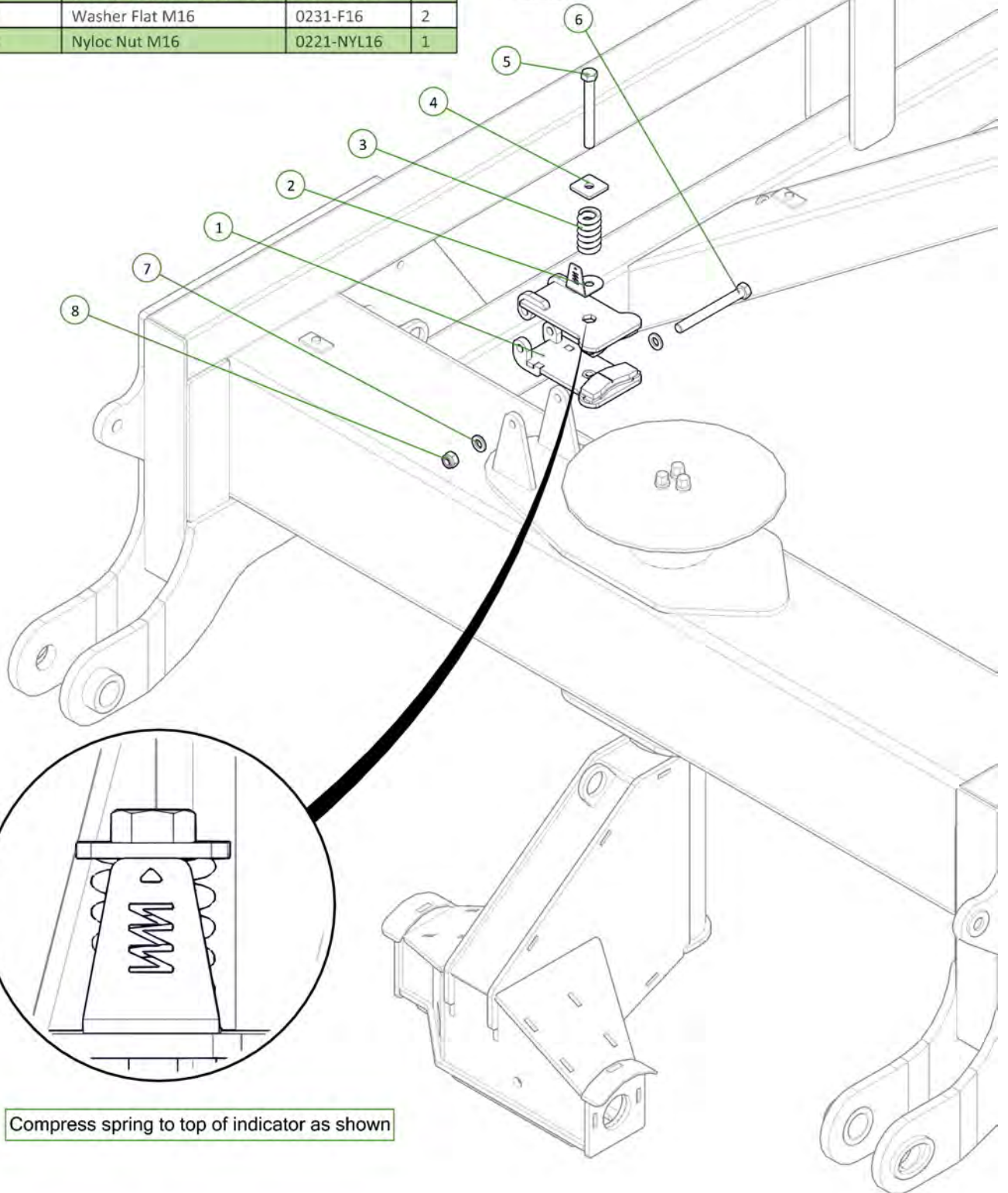


Item No.	Description	Number	Qty
1	Brake Disc	1600-405	1
2	Wheel Stud One Piece M12 x 1.75	0216-WB1224	3

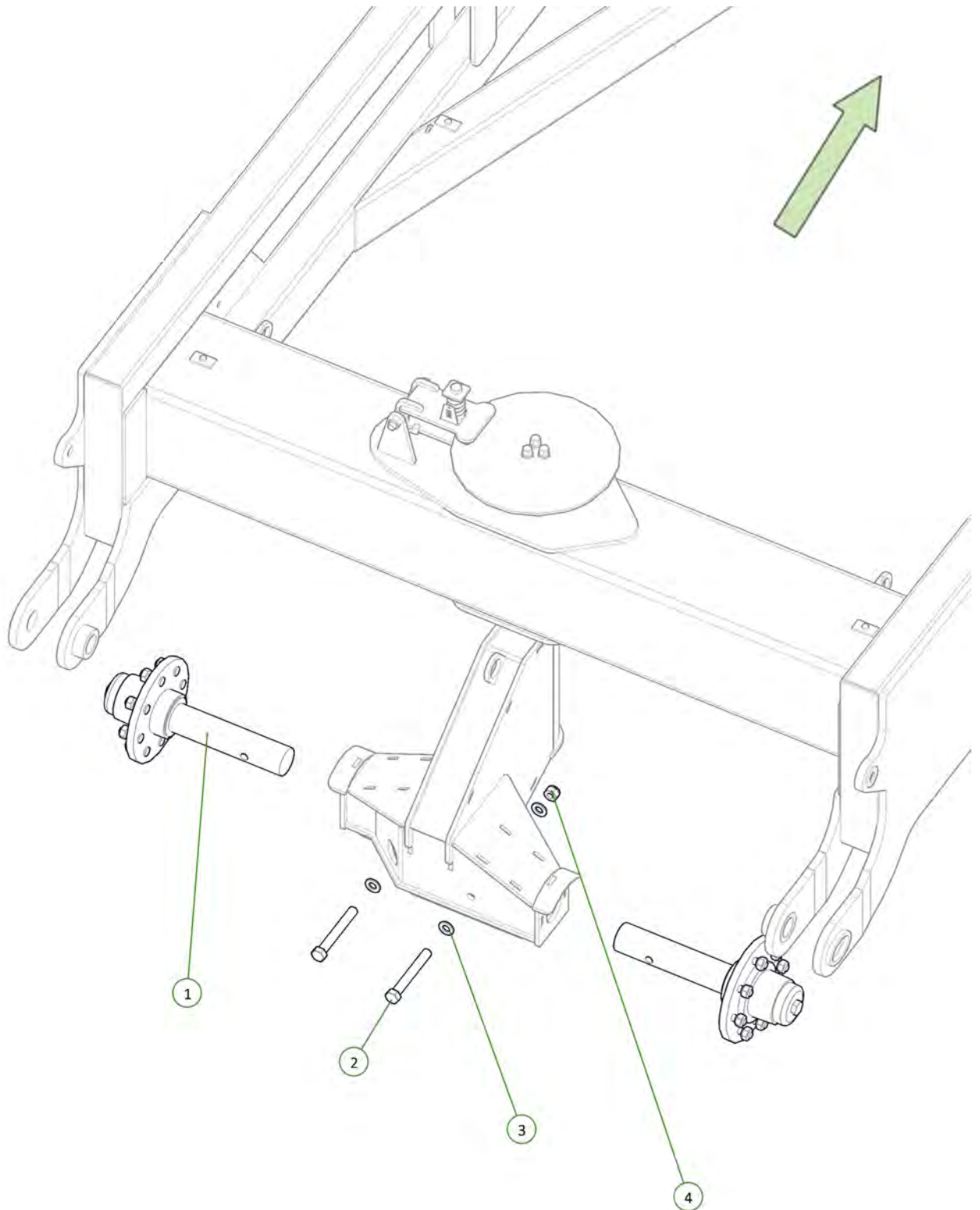


Torque wheel bolts to 65ft-lb / 88Nm

Item No.	Description	Number	Qty
1	Jockey Wheel Brake Caliper	0810-12CAL	1
2	Brake Spring Indicator	0800-772	1
3	Brake Compression Spring	0801-KE009	1
4	Washer Square M16 x 50 x 5	0231-SQ16505	1
5	M16 x 150 Class 8.8 ZP Bolt	0211-16150	1
6	M16 x 160 Class 8.8 ZP Bolt	0211-16160	1
7	Washer Flat M16	0231-F16	2
8	Nyloc Nut M16	0221-NYL16	1



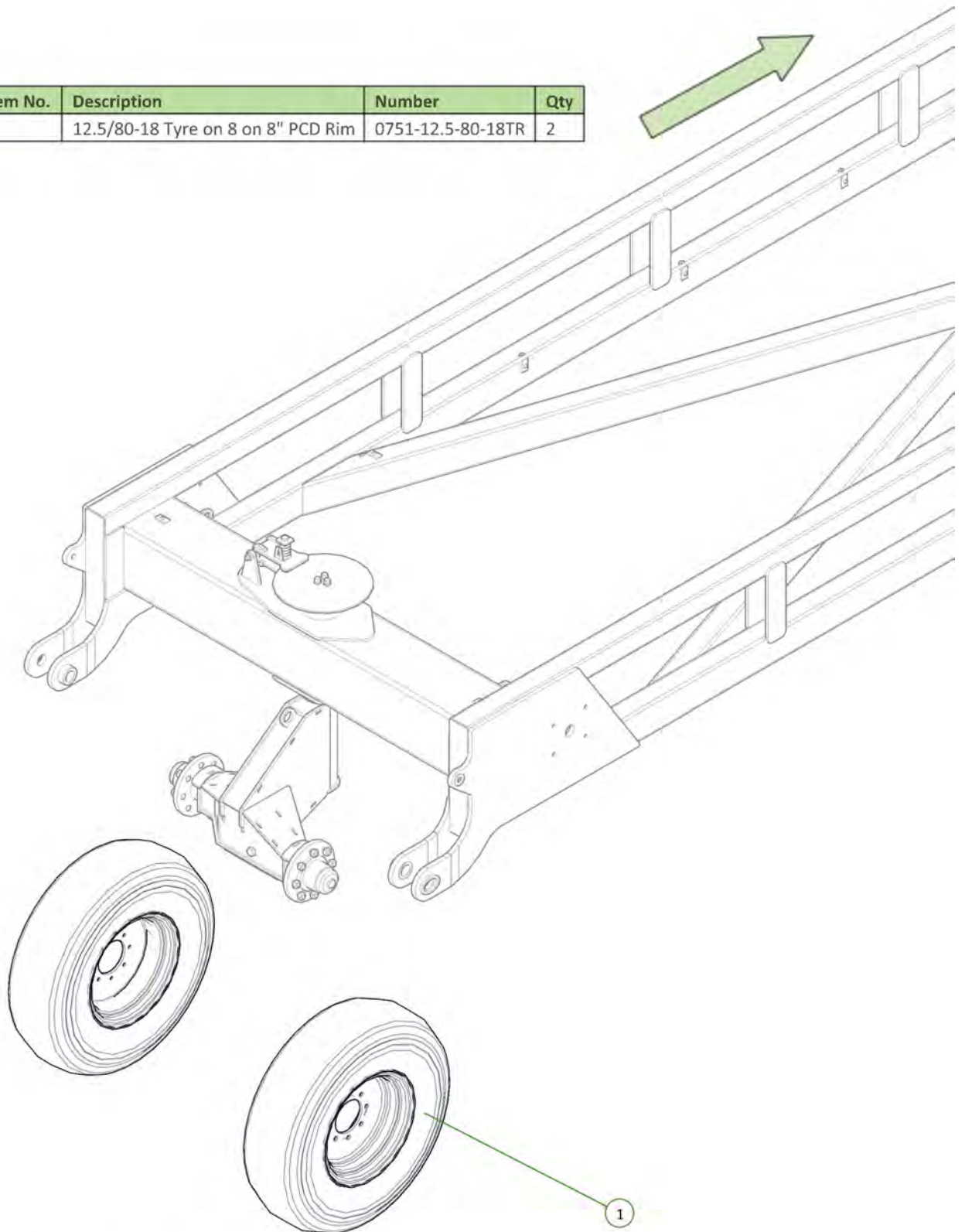
Compress spring to top of indicator as shown



Item No.	Description	Number	Qty
1	2.75"R 6 Tonne 8 on 8" PCH Hub and Stub Complete	0733-SH27596880	2
2	M20 x 160 Class 8.8 ZP Bolt	0211-20160	2
3	Washer Flat M20	0231-F20	4
4	Nyloc Nut M20	0221-NYL20	2

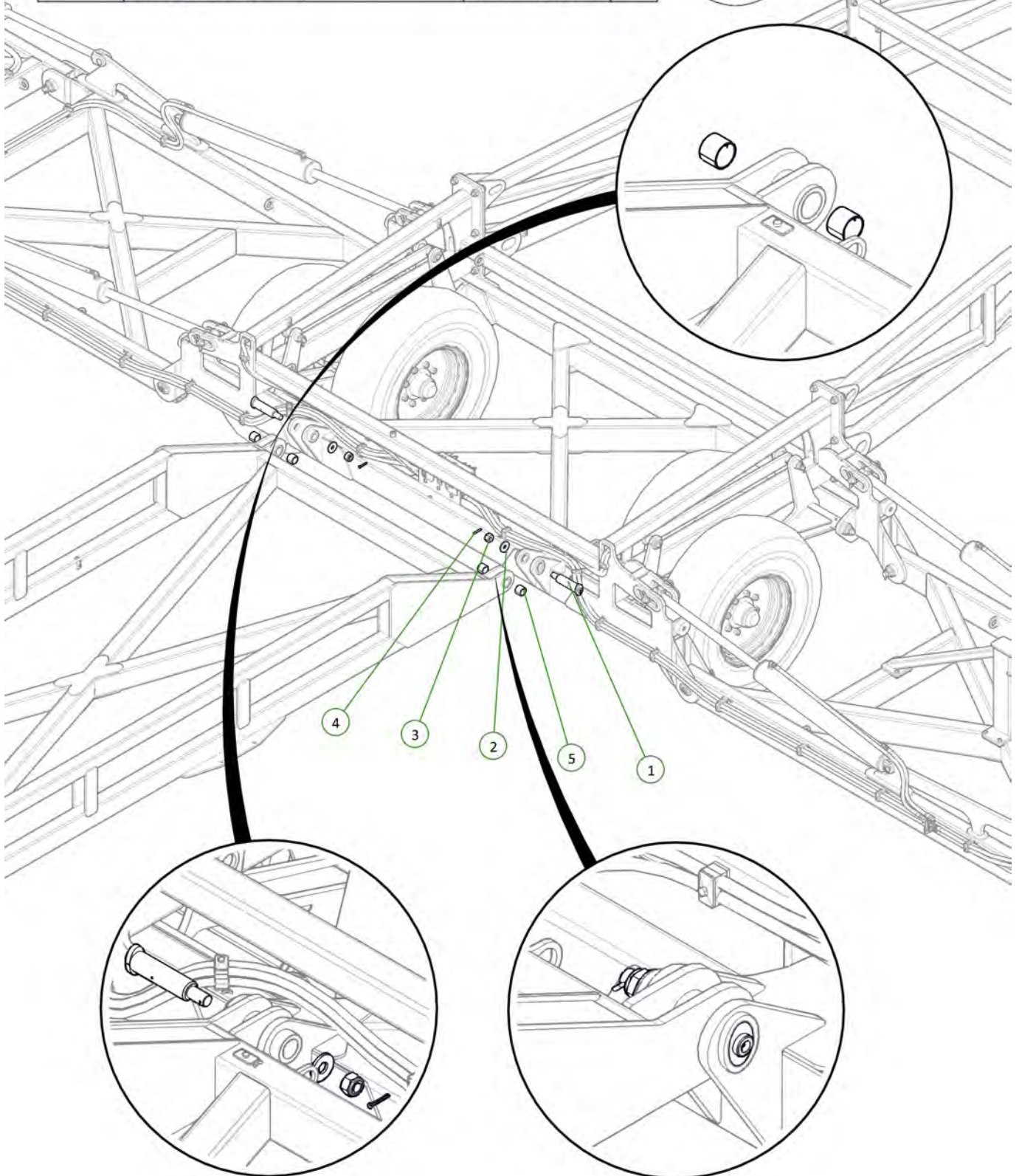


Item No.	Description	Number	Qty
1	12.5/80-18 Tyre on 8 on 8" PCD Rim	0751-12.5-80-18TR	2

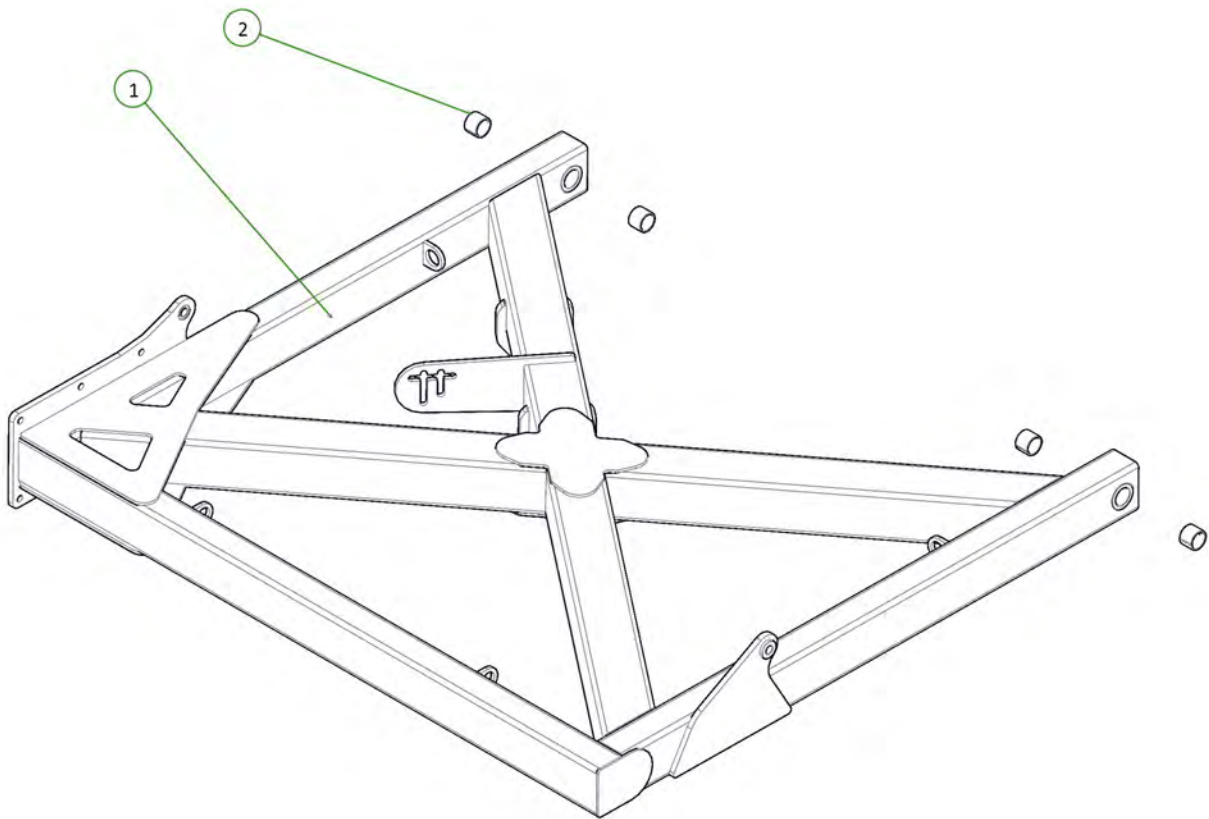
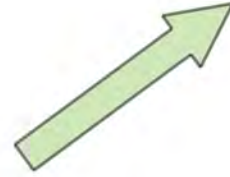


Tighten wheel nuts to 100ft-lb / 140Nm

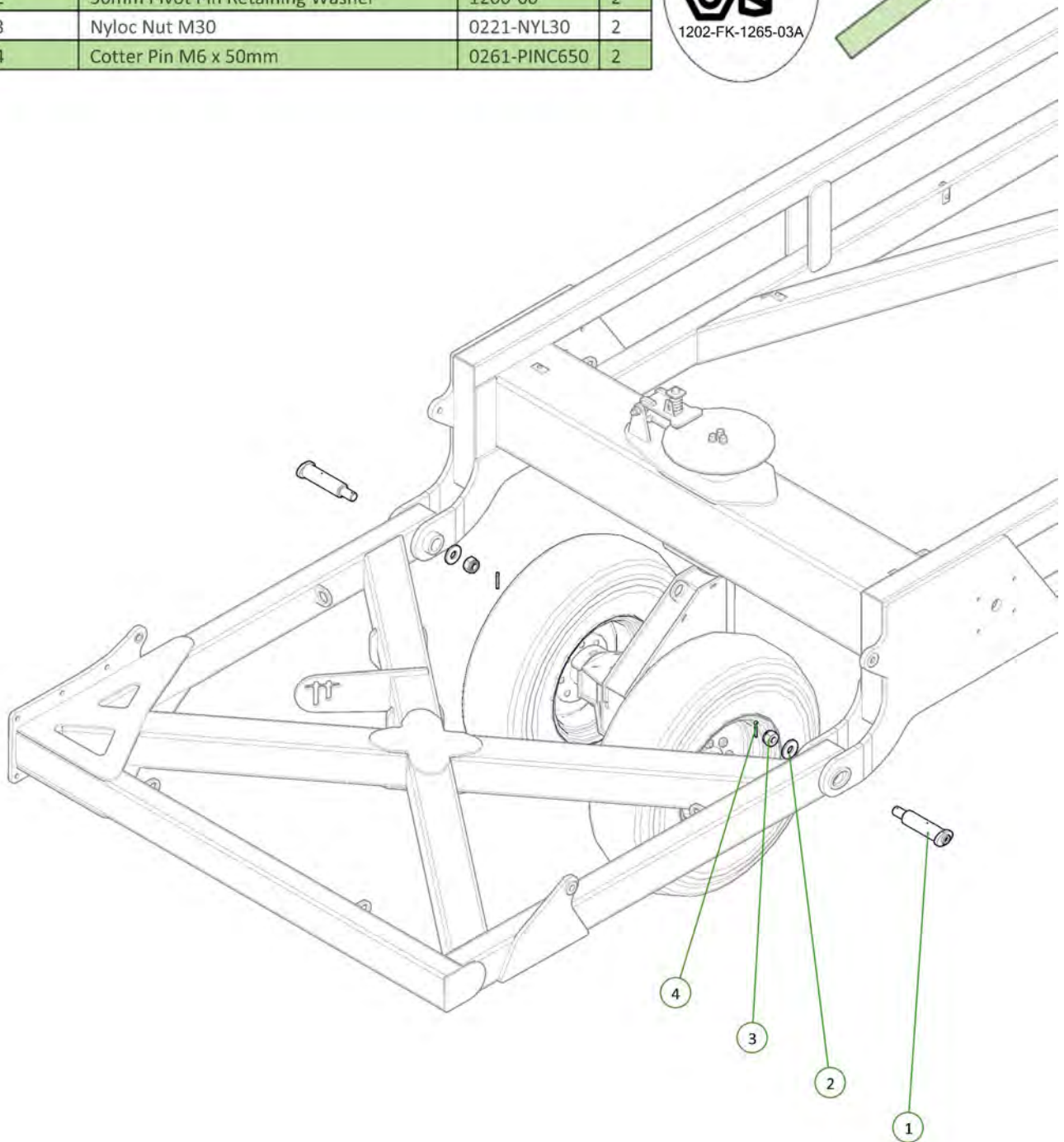
Item No.	Description	Number	Qty
1	Oval Head 50mm Short Pivot Pin Assembly	1202-06A	2
2	50mm Pivot Pin Retaining Washer	1200-60	2
3	Nyloc Nut M30	0221-NYL30	2
4	Cotter Pin M6 x 50mm	0261-PINC650	2
5	50 ID x 40mm DX Bush	0113-MB5040DX	4



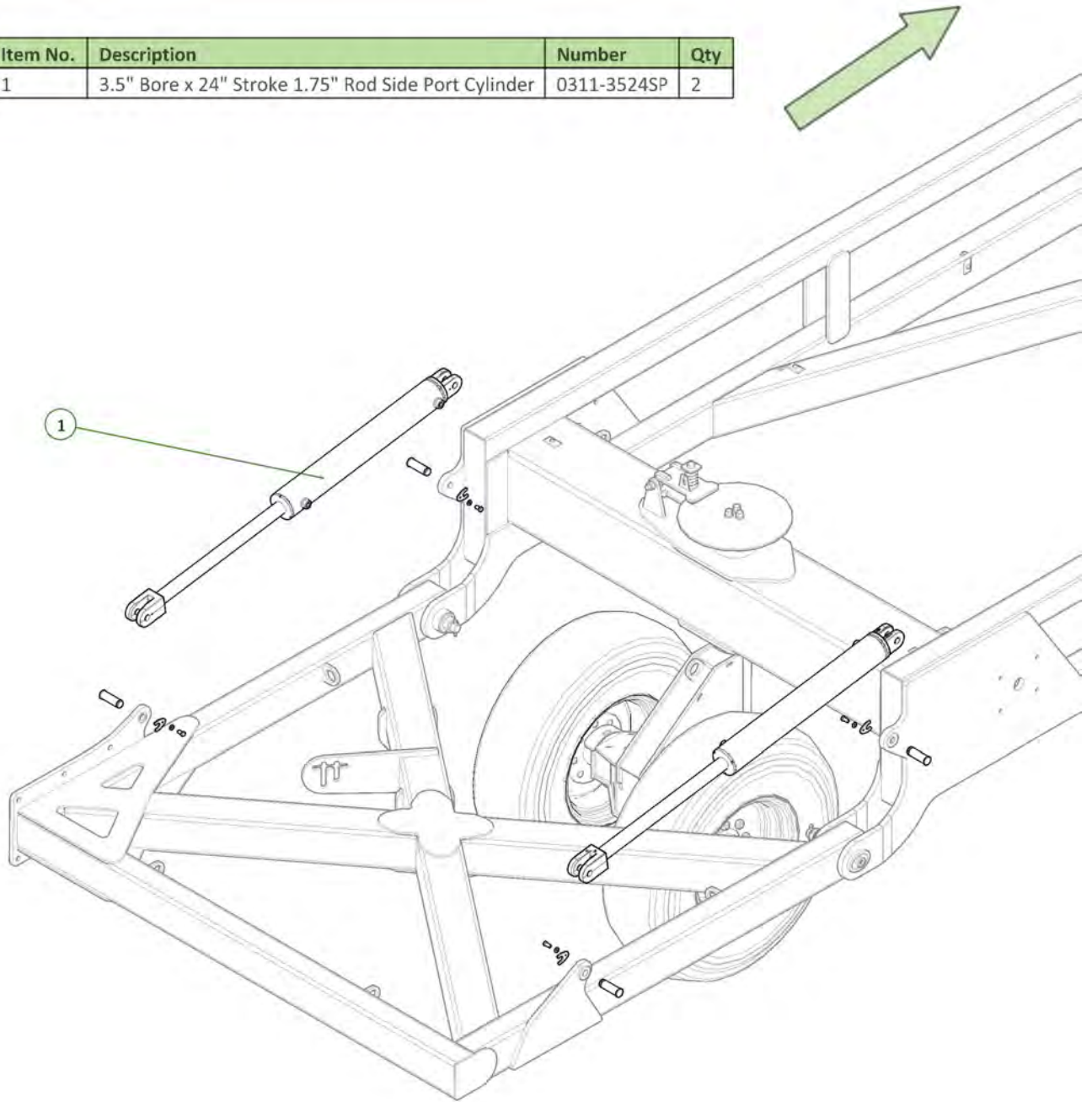
Item No.	Description	Number	Qty
1	Heavy Duty Rear Tail	1210-10	1
2	50 ID x 40mm DX Bush	0113-MB5040DX	4



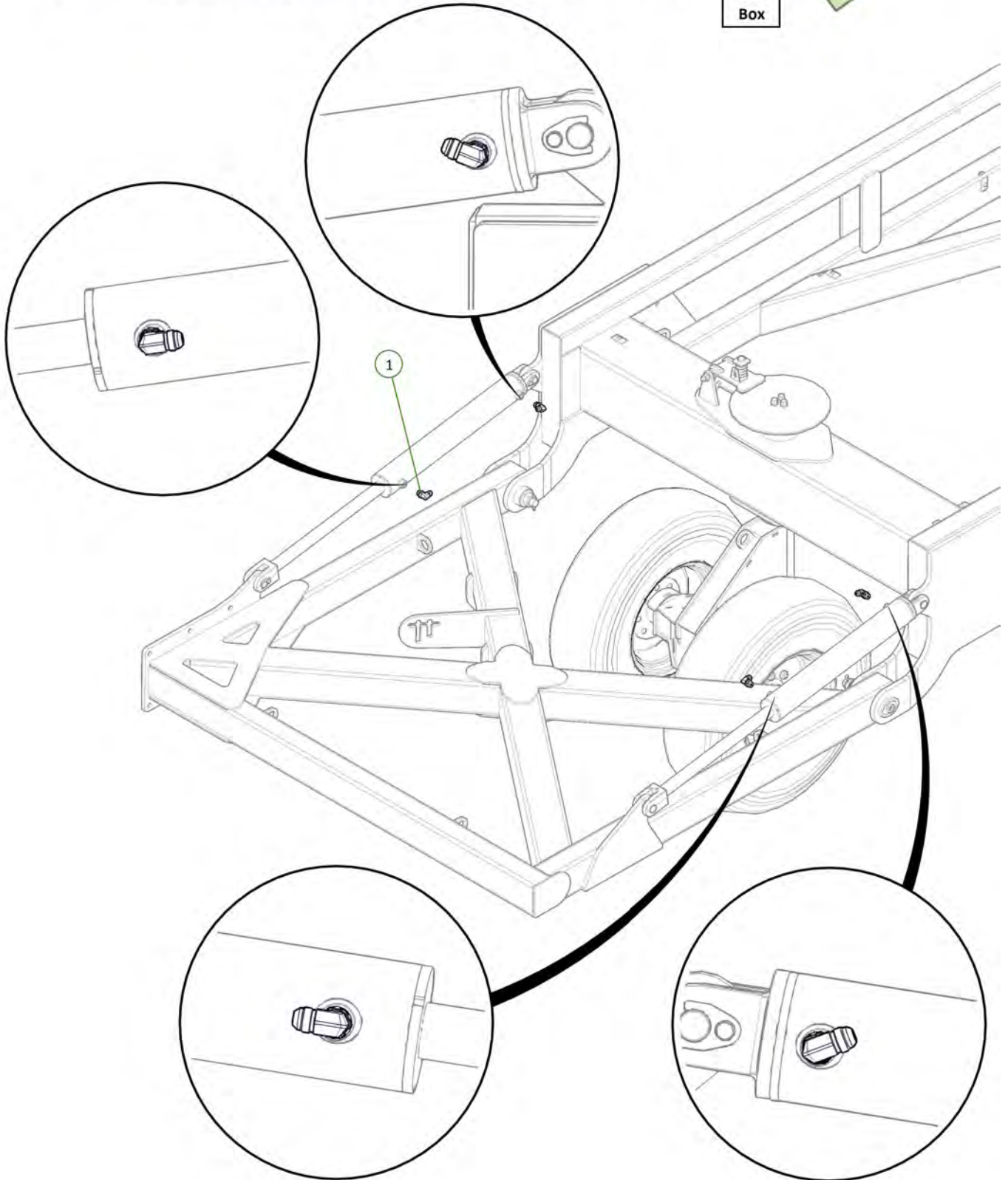
Item No.	Description	Number	Qty
1	Oval Head 50mm Short Pivot Pin Assembly	1202-06A	2
2	50mm Pivot Pin Retaining Washer	1200-60	2
3	Nyloc Nut M30	0221-NYL30	2
4	Cotter Pin M6 x 50mm	0261-PINC650	2



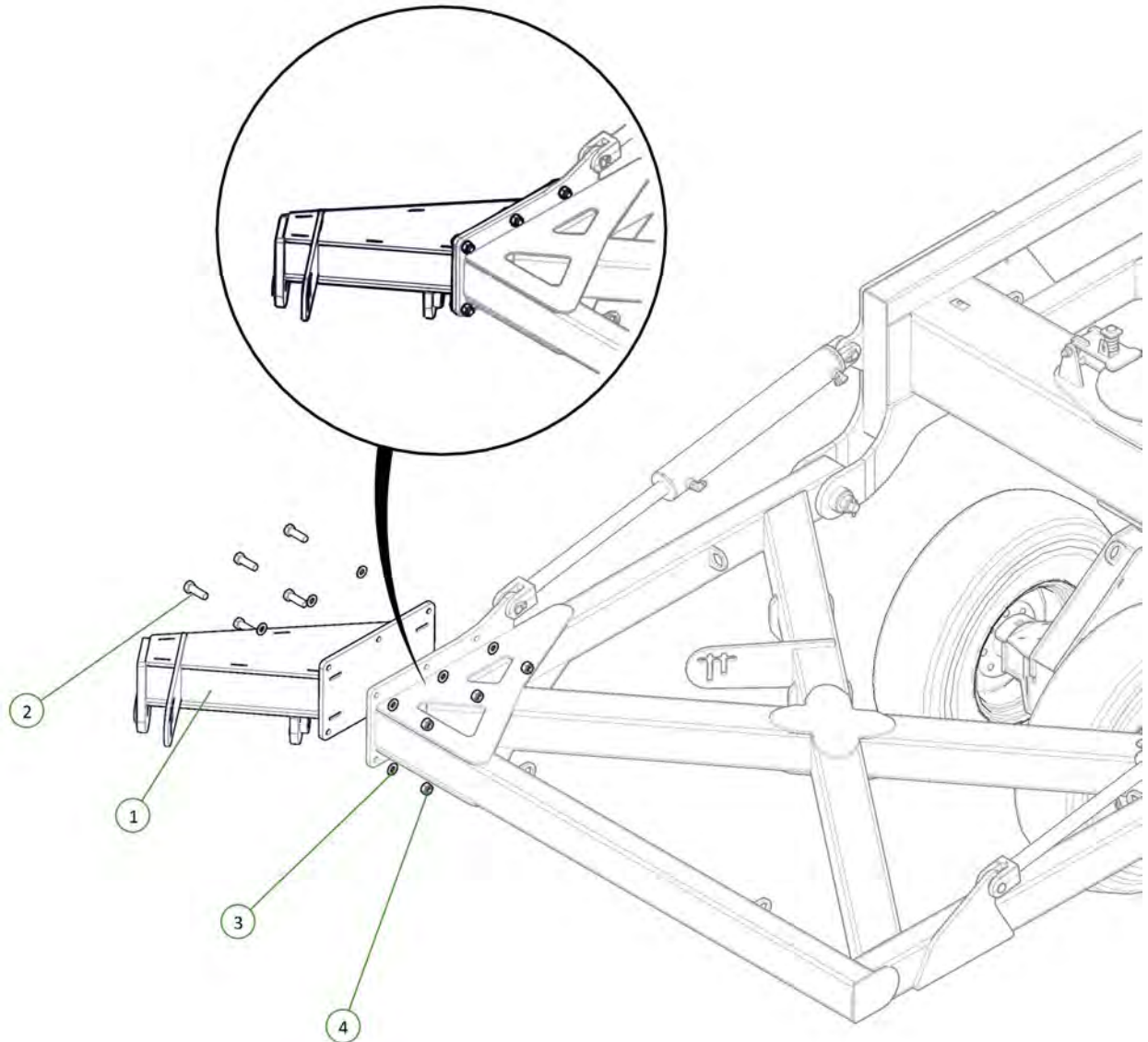
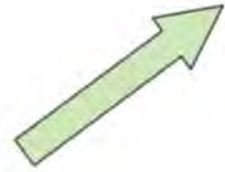
Item No.	Description	Number	Qty
1	3.5" Bore x 24" Stroke 1.75" Rod Side Port Cylinder	0311-3524SP	2

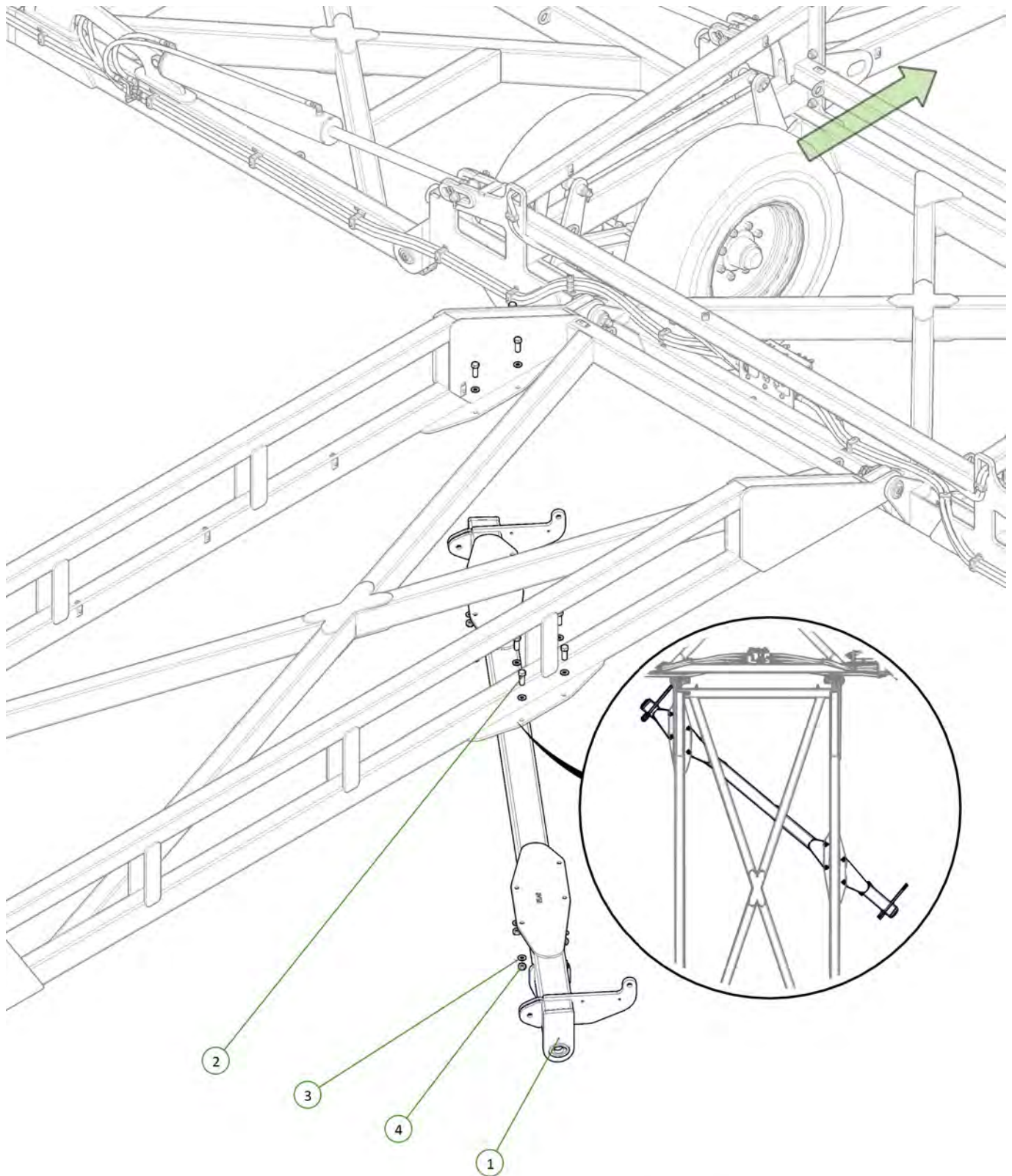


Item No.	Description	Number	Qty
1	3/4" JIC Male 3/4" UN O Ring Male 90° Elbow	0323-S91-1212	4



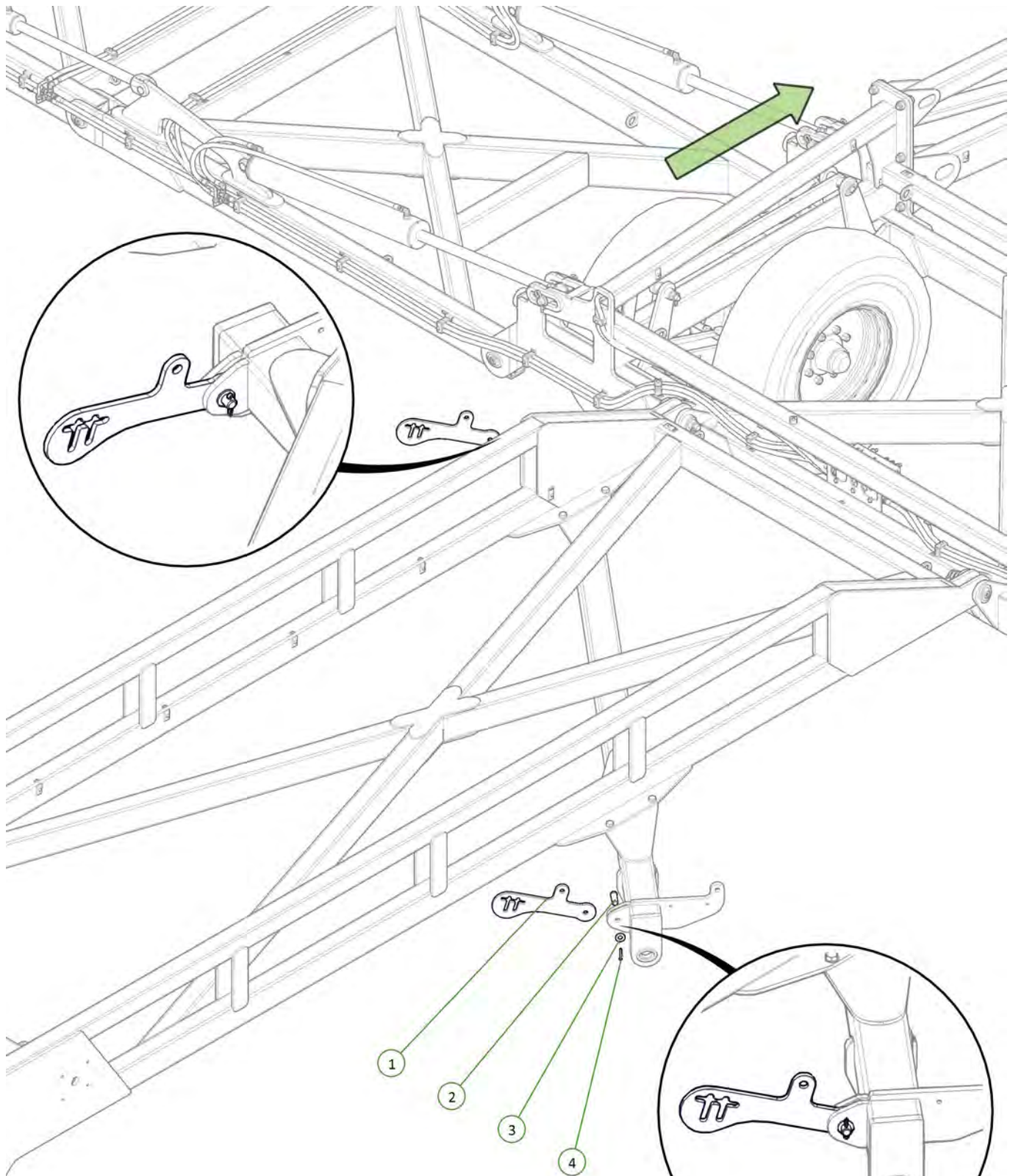
Item No.	Description	Number	Qty
1	Rear Tail Extension	1210-12	1
2	M20 x 65 Class 8.8 ZP Bolt	0211-2065	6
3	Washer Flat M20	0231-F20	12
4	Nyloc Nut M20	0221-NYL20	6





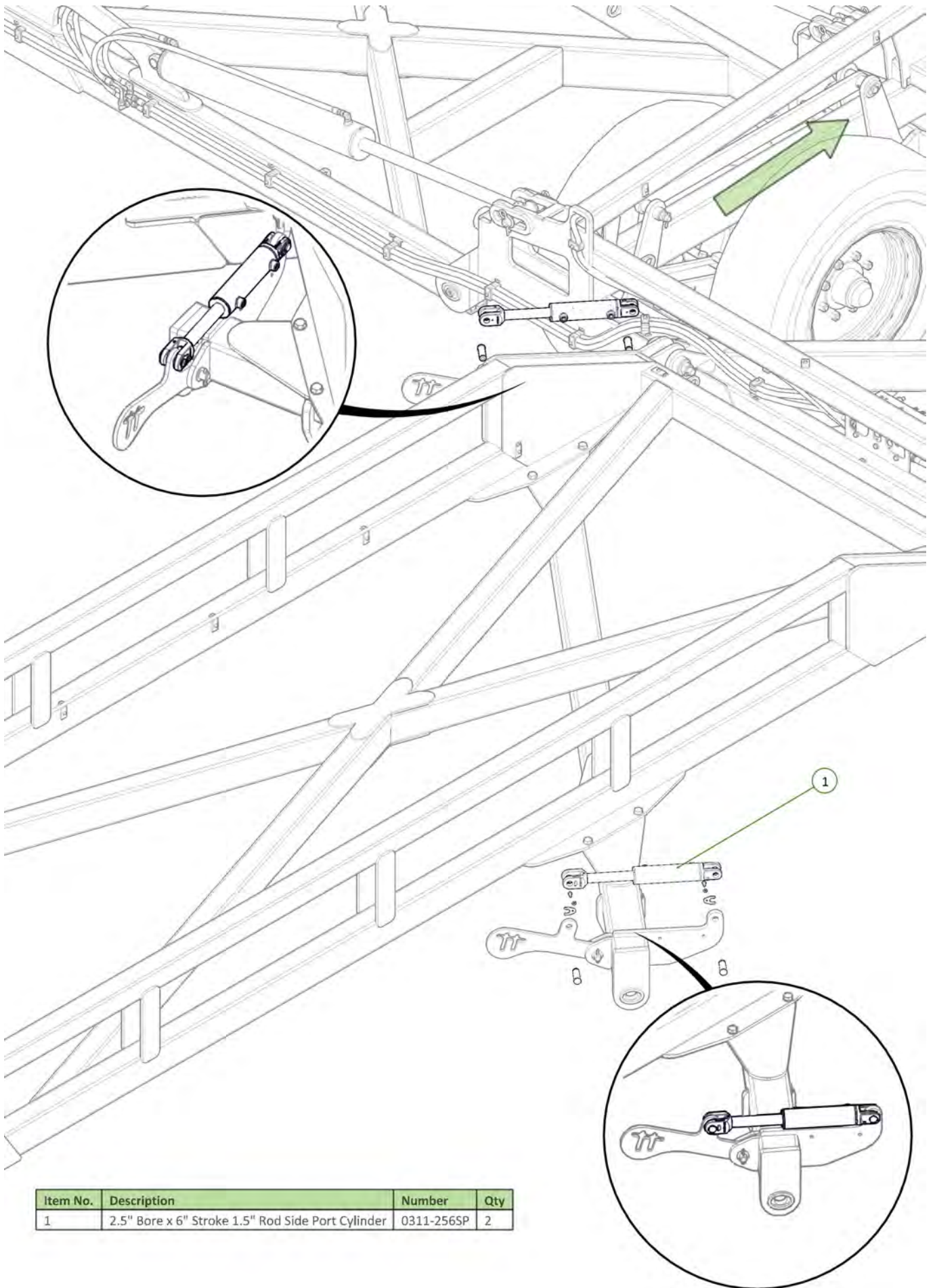
Item No.	Description	Number	Qty
1	62HDX/ 80' Rear Module	1210-29	1
2	M20 x 60 Class 8.8 ZP Bolt	0211-2060	8
3	Washer Flat M20	0231-F20	16
4	Nyloc Nut M20	0221-NYL20	8



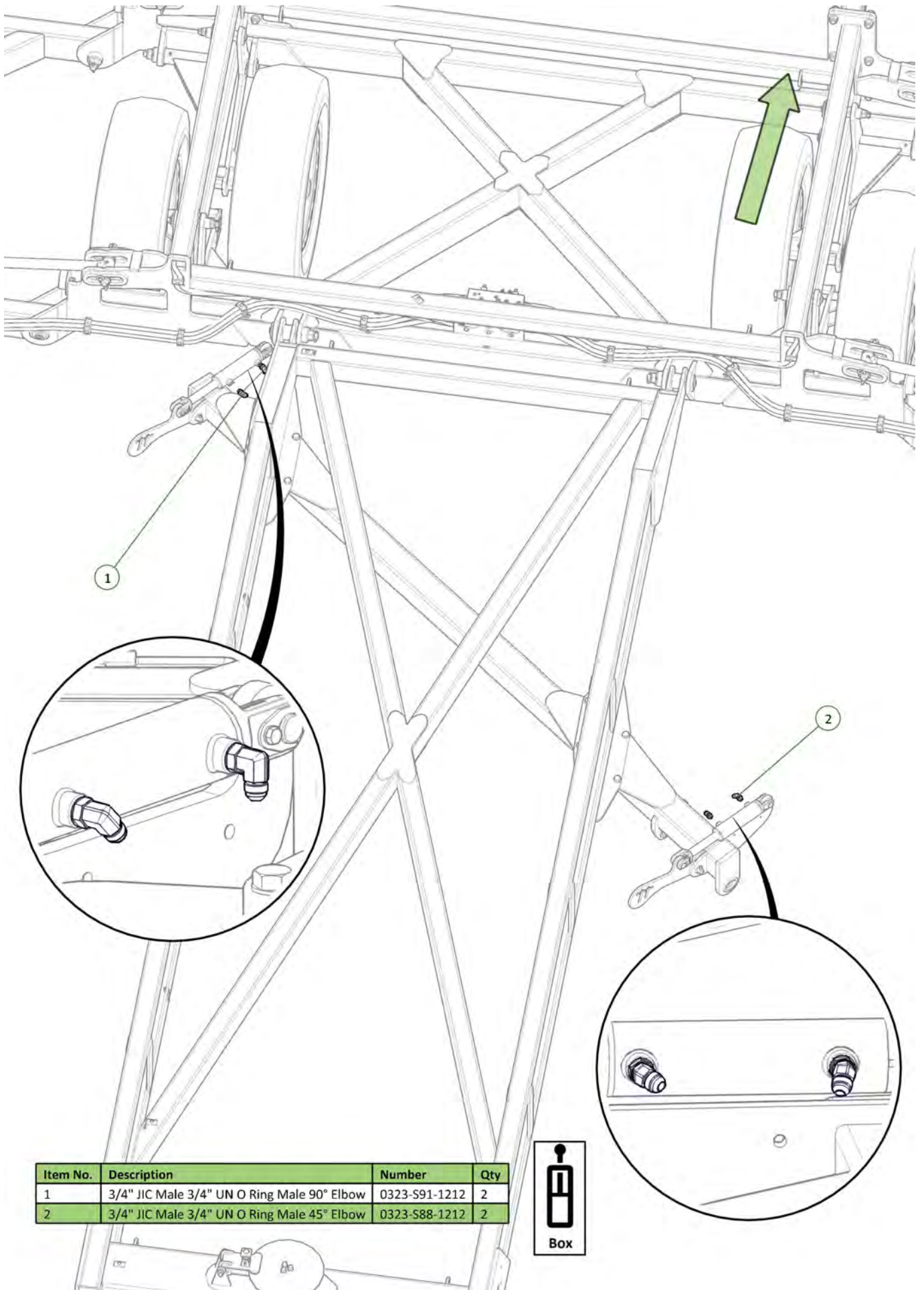


Item No.	Description	Number	Qty
1	Module Lift Plate	0800-120.3	2
2	Clevis Pin 25mm x 75mm	0801-KE0307-1	2
3	Washer Flat M24	0231-F24	2
4	Cotter Pin M6 x 50mm	0261-PINC650	2

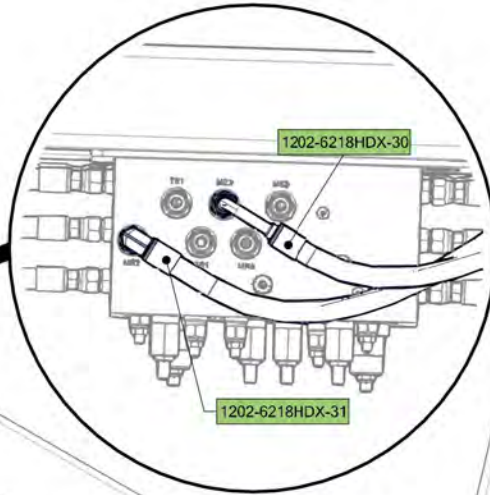




Item No.	Description	Number	Qty
1	2.5" Bore x 6" Stroke 1.5" Rod Side Port Cylinder	0311-256SP	2

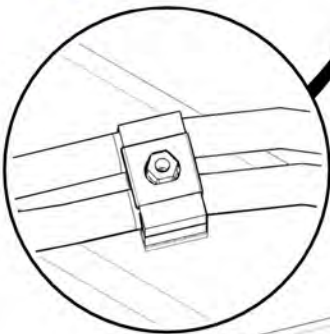


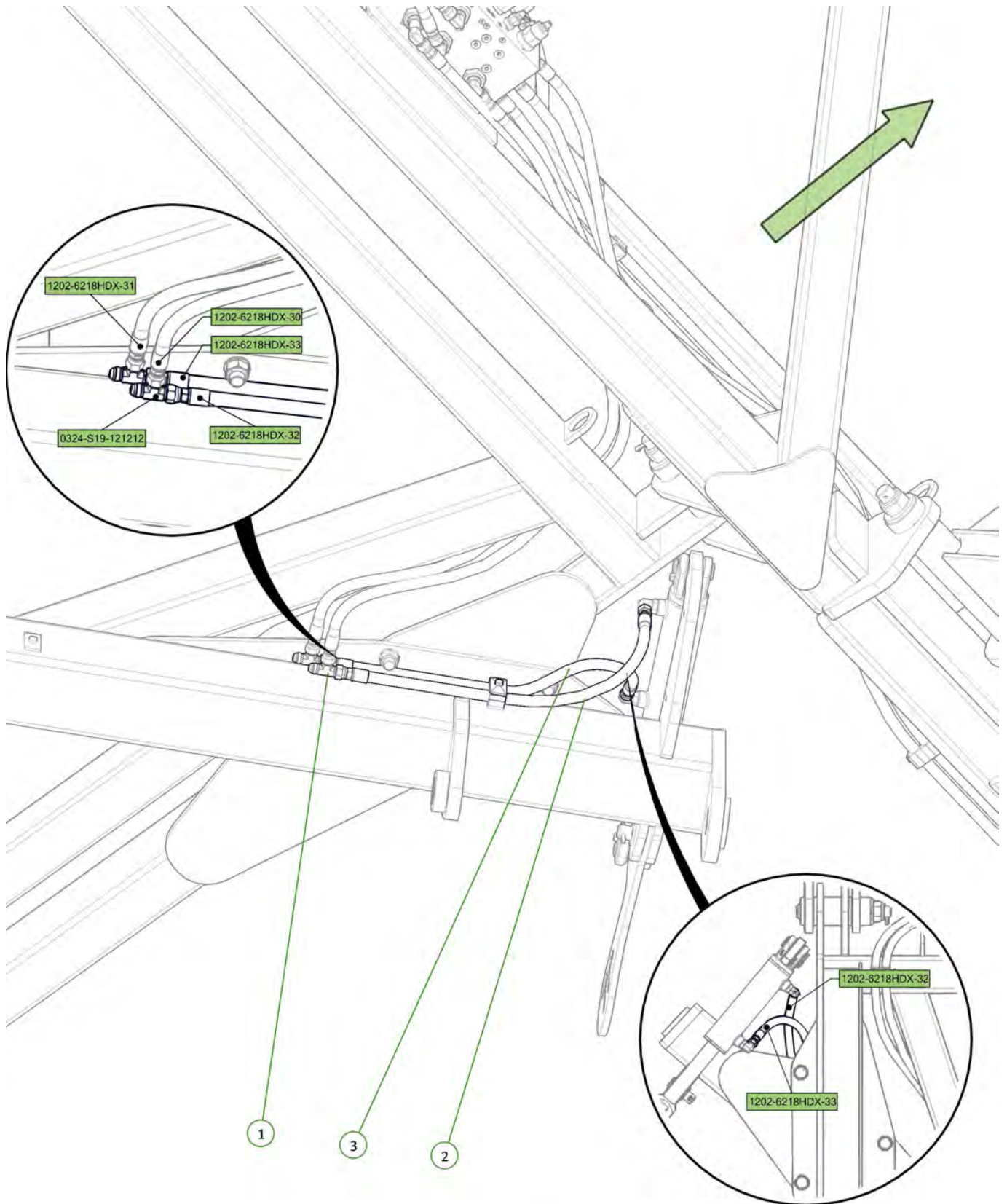
Item No.	Description	Number	Qty
1	Sequence Valve ME2 Port to Rear Module Extend Tee	1202-6218HDX-30	1
2	Sequence Valve MR2 Port to Rear Module Retract Tee	1202-6218HDX-31	1



2

1

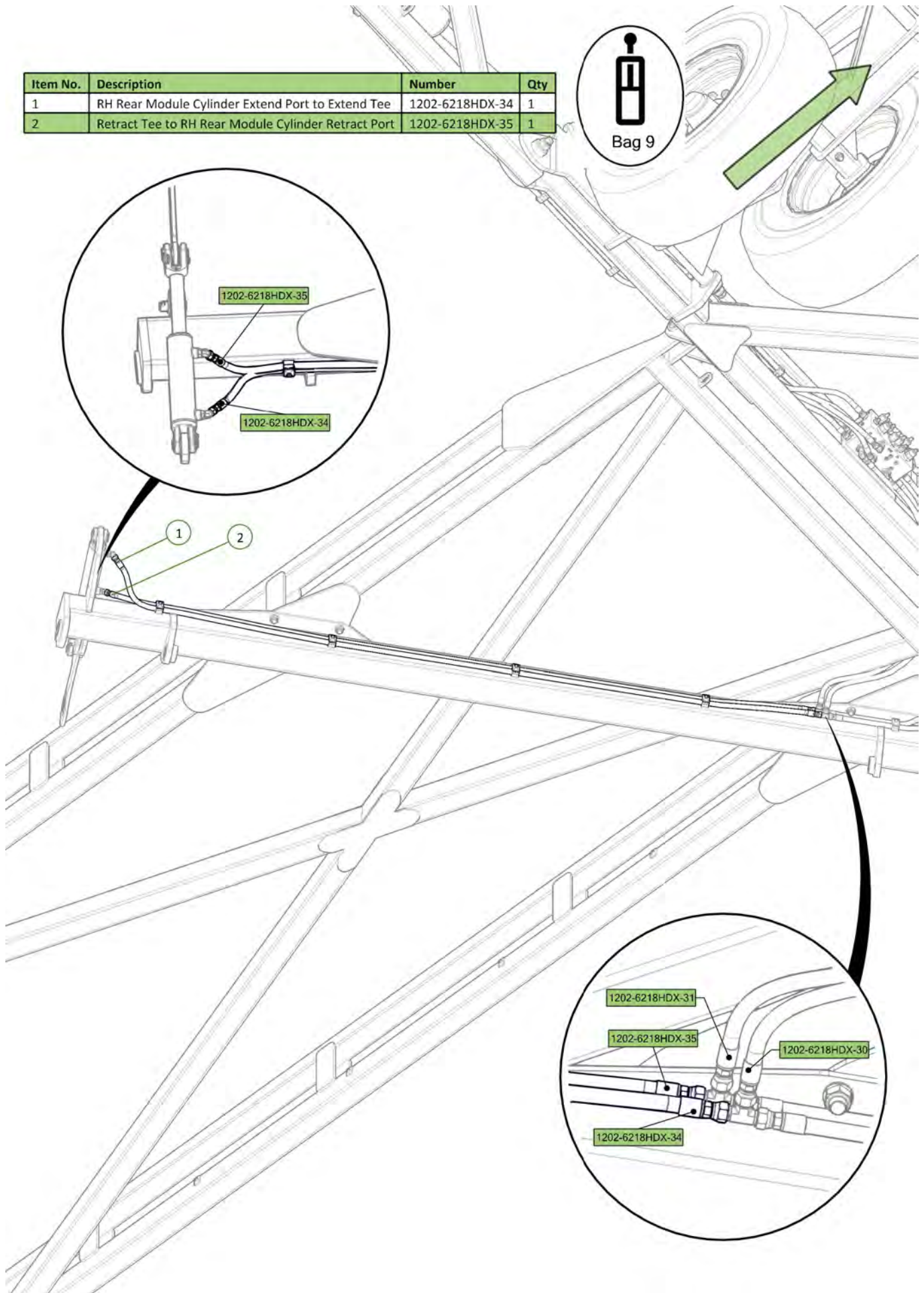


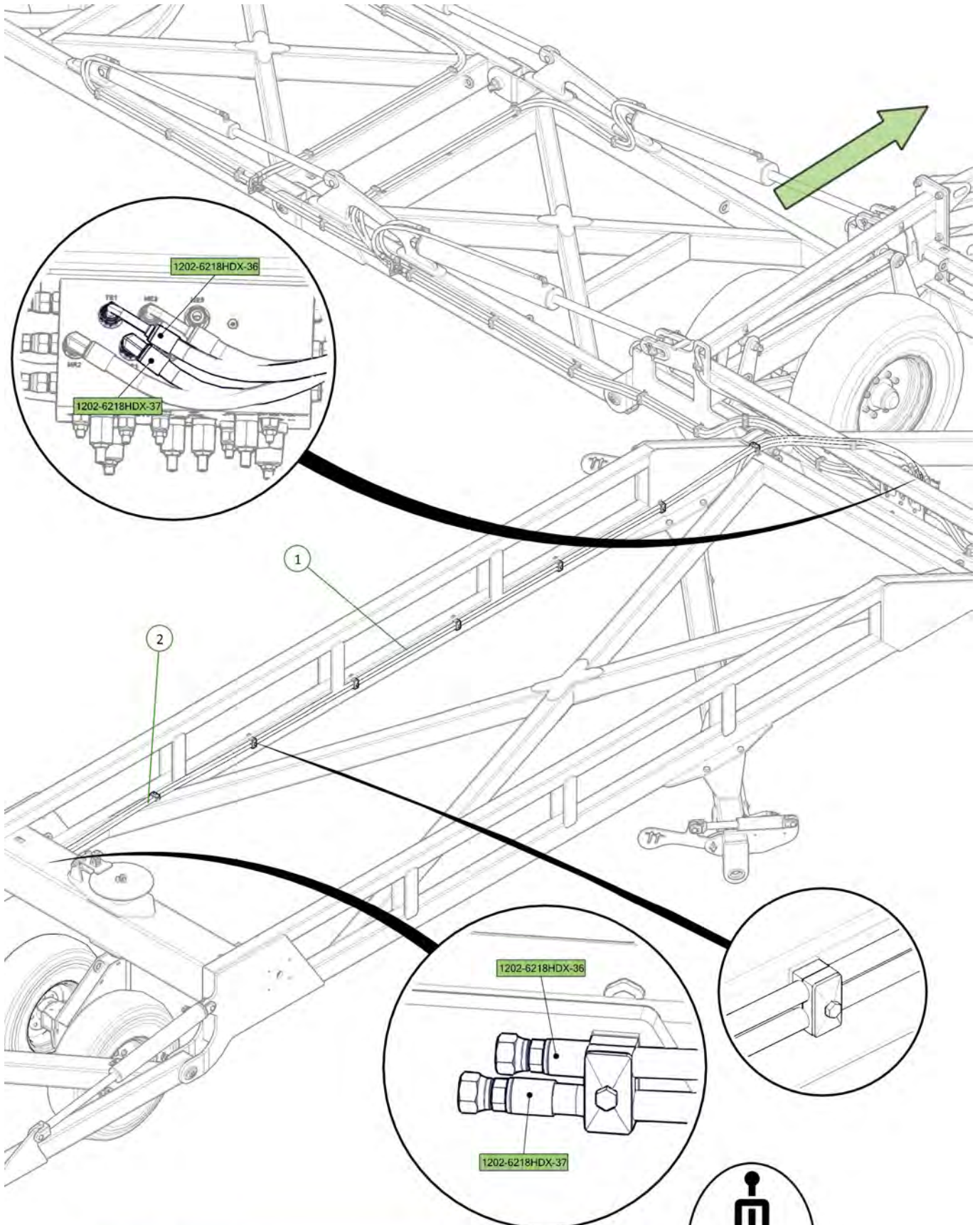


Item No.	Description	Number	Qty
1	3/4" JIC Male Tee 3/4" JIC Male Tee 3/4" JIC Male Tee	0324-S19-121212	2
2	LH Rear Module Cylinder Extend Port to Extend Tee	1202-6218HDX-32	1
3	Retract Tee to LH Rear Module Cylinder Retract Port	1202-6218HDX-33	1



Item No.	Description	Number	Qty
1	RH Rear Module Cylinder Extend Port to Extend Tee	1202-6218HDX-34	1
2	Retract Tee to RH Rear Module Cylinder Retract Port	1202-6218HDX-35	1

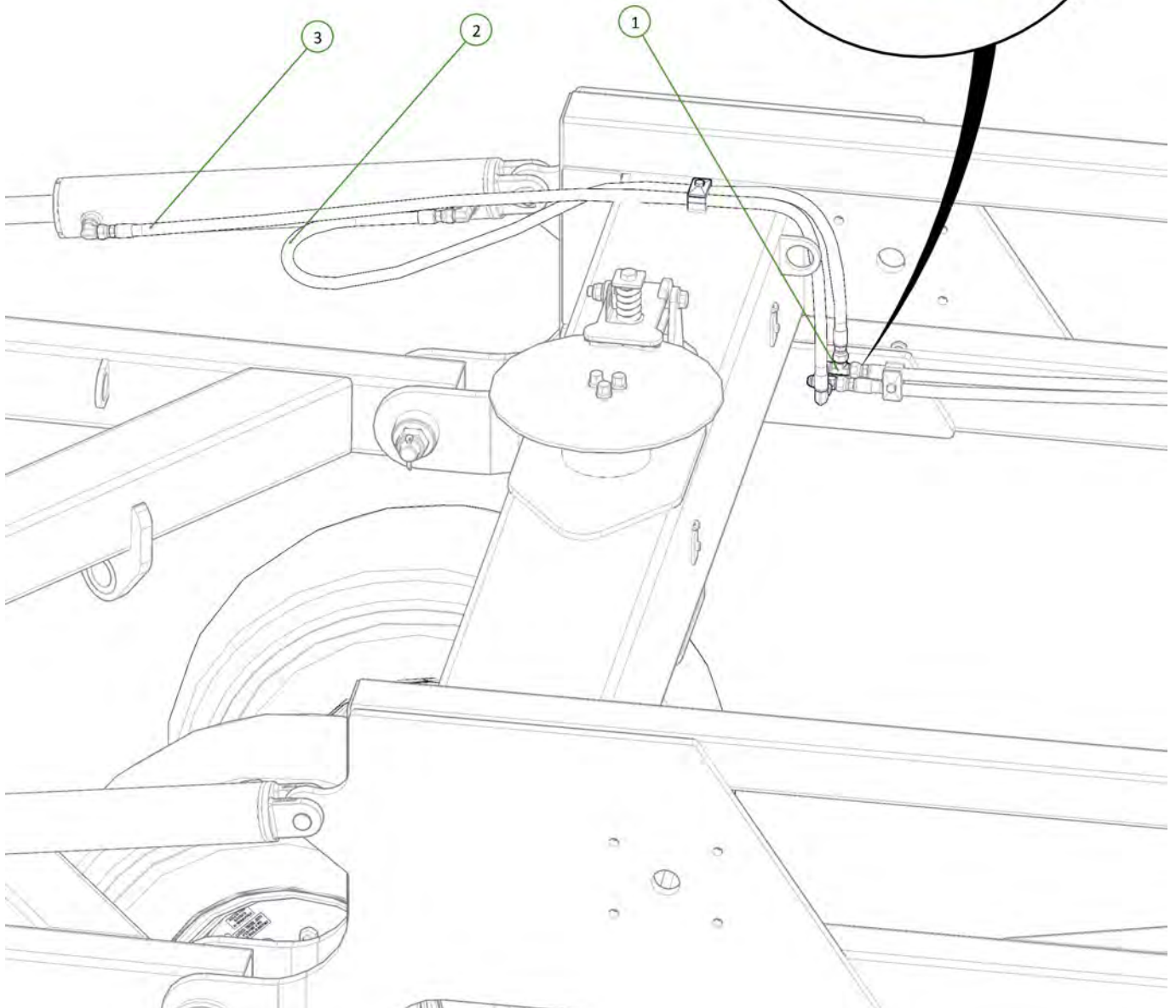
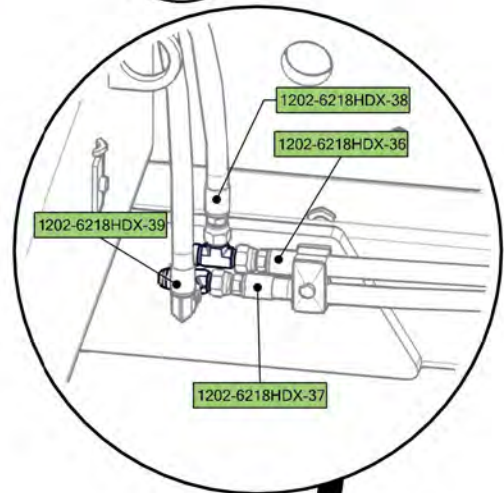
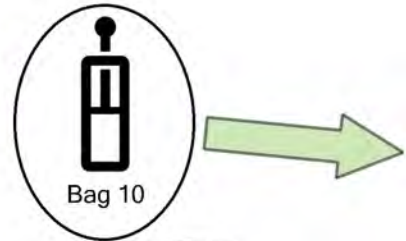




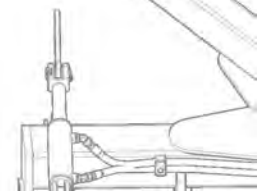
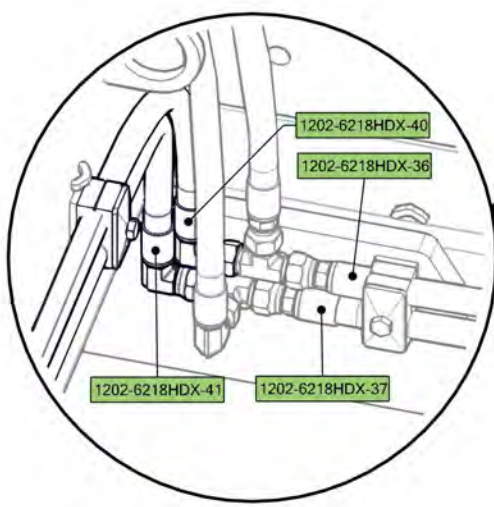
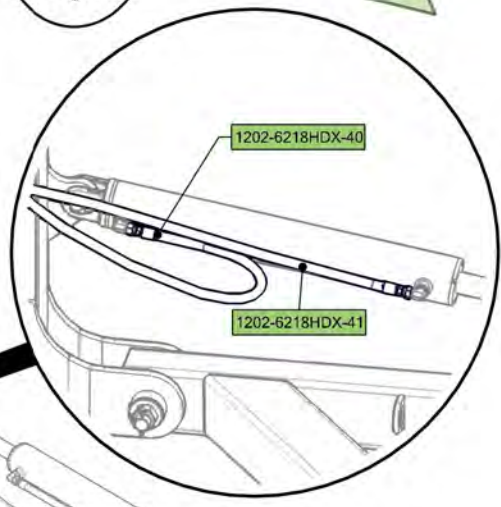
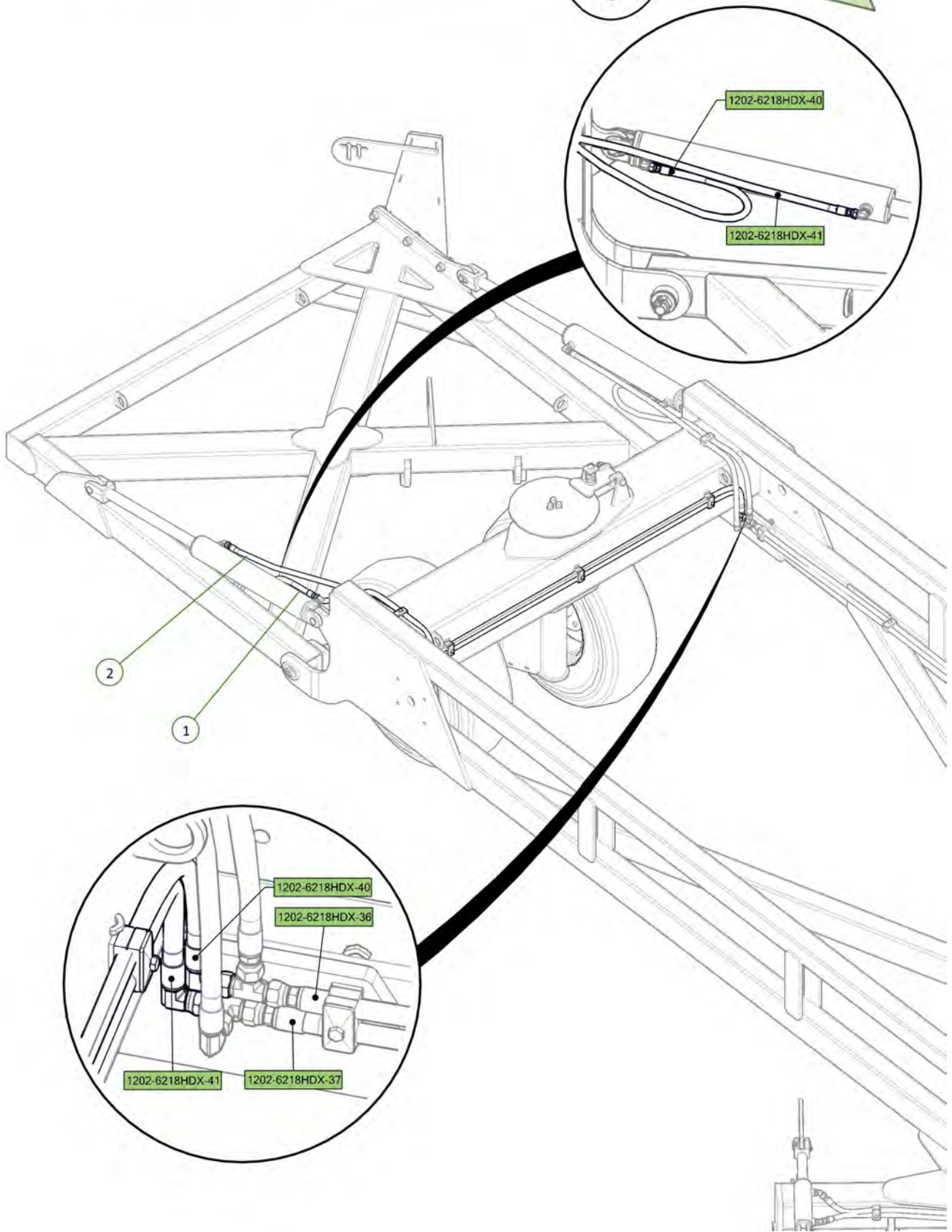
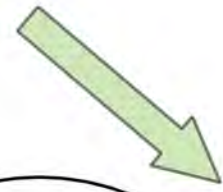
Item No.	Description	Number	Qty
1	Sequence Valve TE1 Port to Tail Extend Tee	1202-6218HDX-36	1
2	Sequence Valve TR1 Port to Tail Retract Tee	1202-6218HDX-37	1



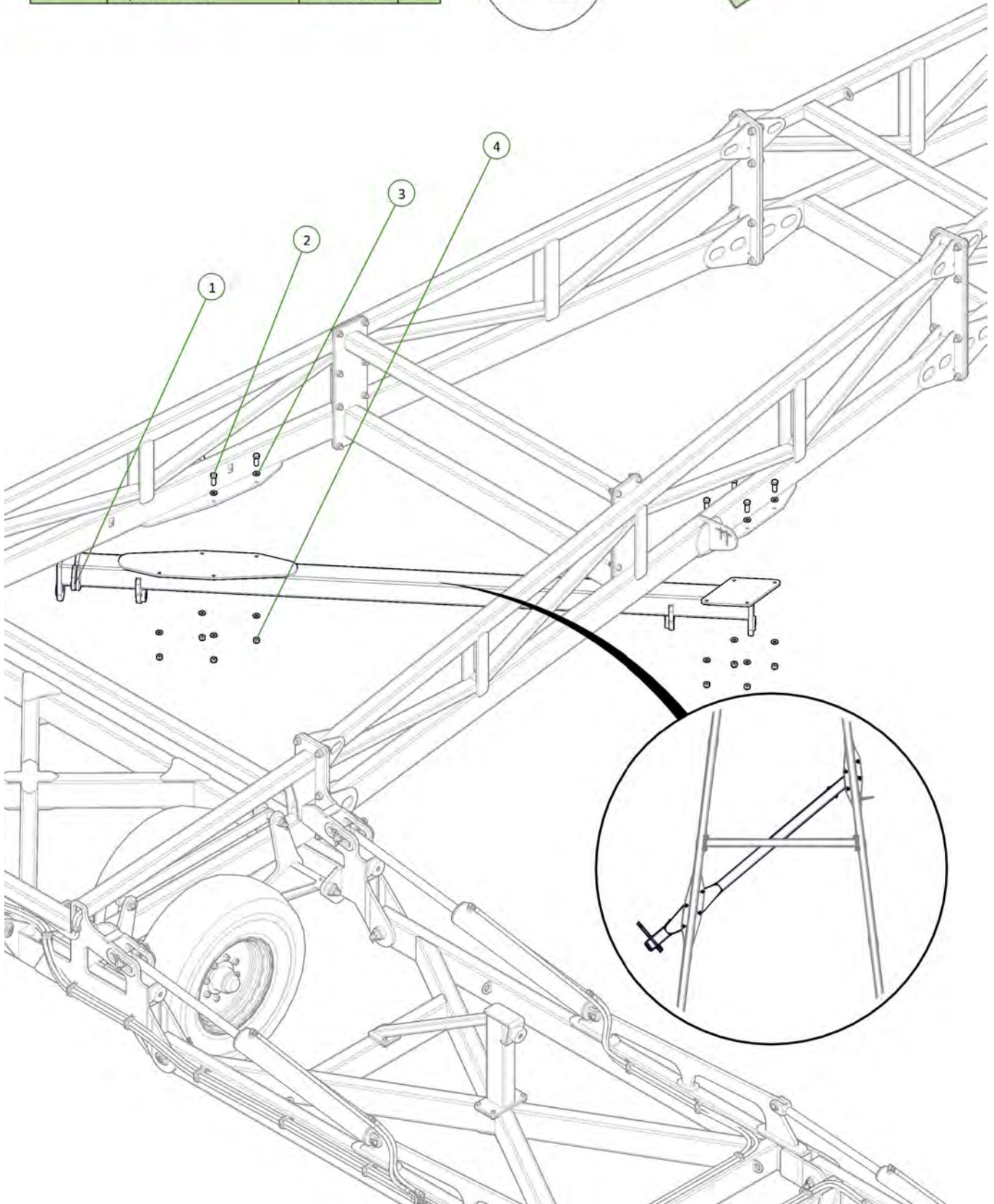
Item No.	Description	Number	Qty
1	3/4" JIC Male Tee 3/4" JIC Male Tee 3/4" JIC Male Tee	0324-S19-121212	2
2	LH Tail Cylinder Extend Port to Tail Extend Tee	1202-6218HDX-38	1
3	LH Tail Cylinder Retract Port to Retract Tee	1202-6218HDX-39	1



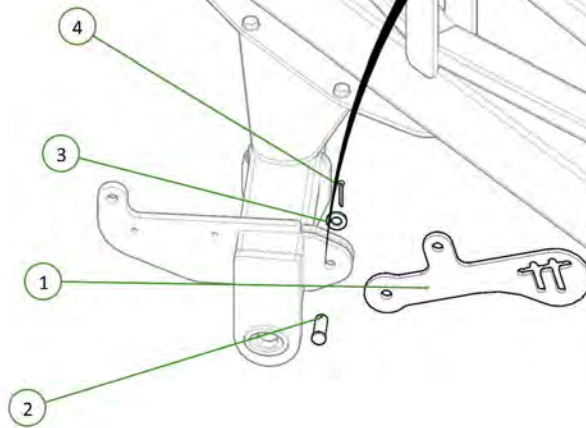
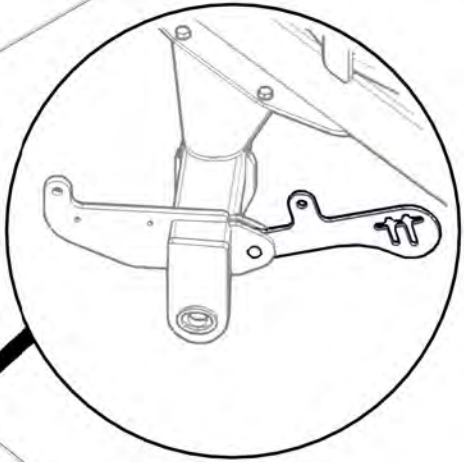
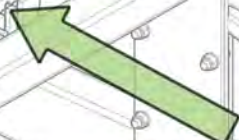
Item No.	Description	Number	Qty
1	RH Tail Cylinder Extend Port to Tail Extend Tee	1202-6218HDX-40	1
2	RH Tail Cylinder Retract Port to Retract Tee	1202-6218HDX-41	1

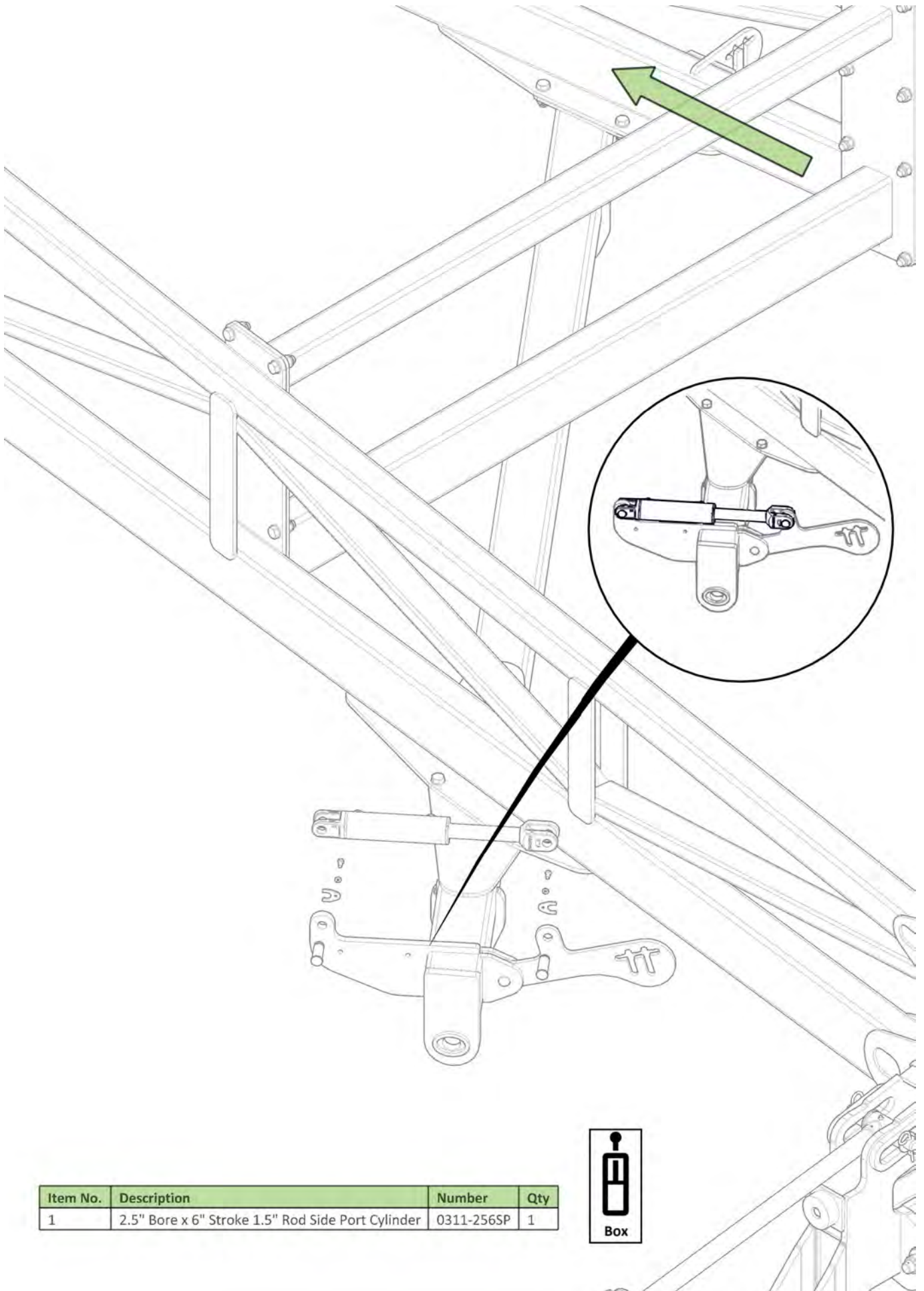


Item No.	Description	Number	Qty
1	62HDX/ 80' Front Module	1210-28	1
2	M20 x 60 Class 8.8 ZP Bolt	0211-2060	8
3	Washer Flat M20	0231-F20	16
4	Nyloc Nut M20	0221-NYL20	8



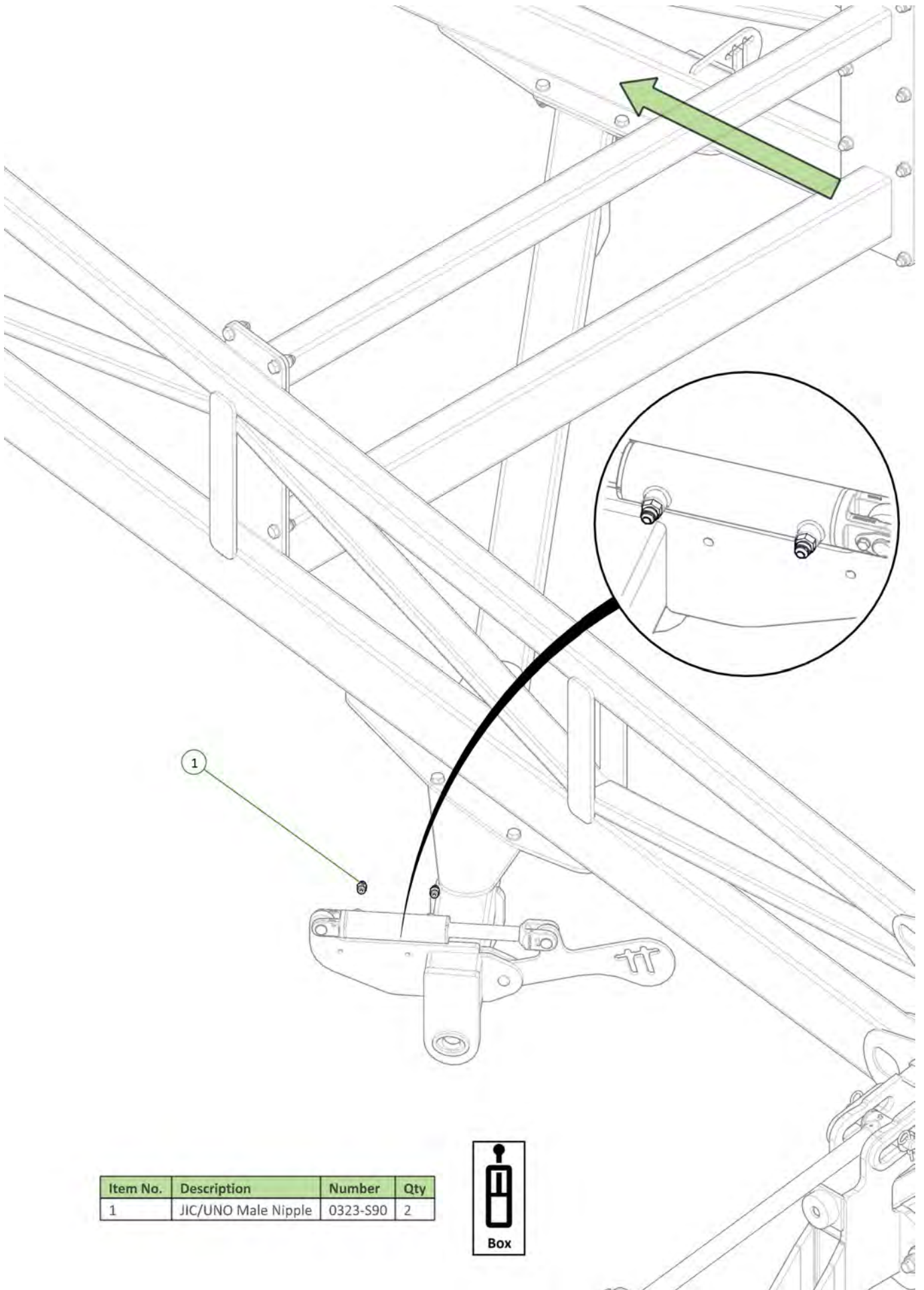
Item No.	Description	Number	Qty
1	Module Lift Plate	0800-120.3	1
2	Clevis Pin 25mm x 75mm	0801-KE0307-1	1
3	Washer Flat M24	0231-F24	1
4	Cotter Pin M6 x 50mm	0261-PINC650	1





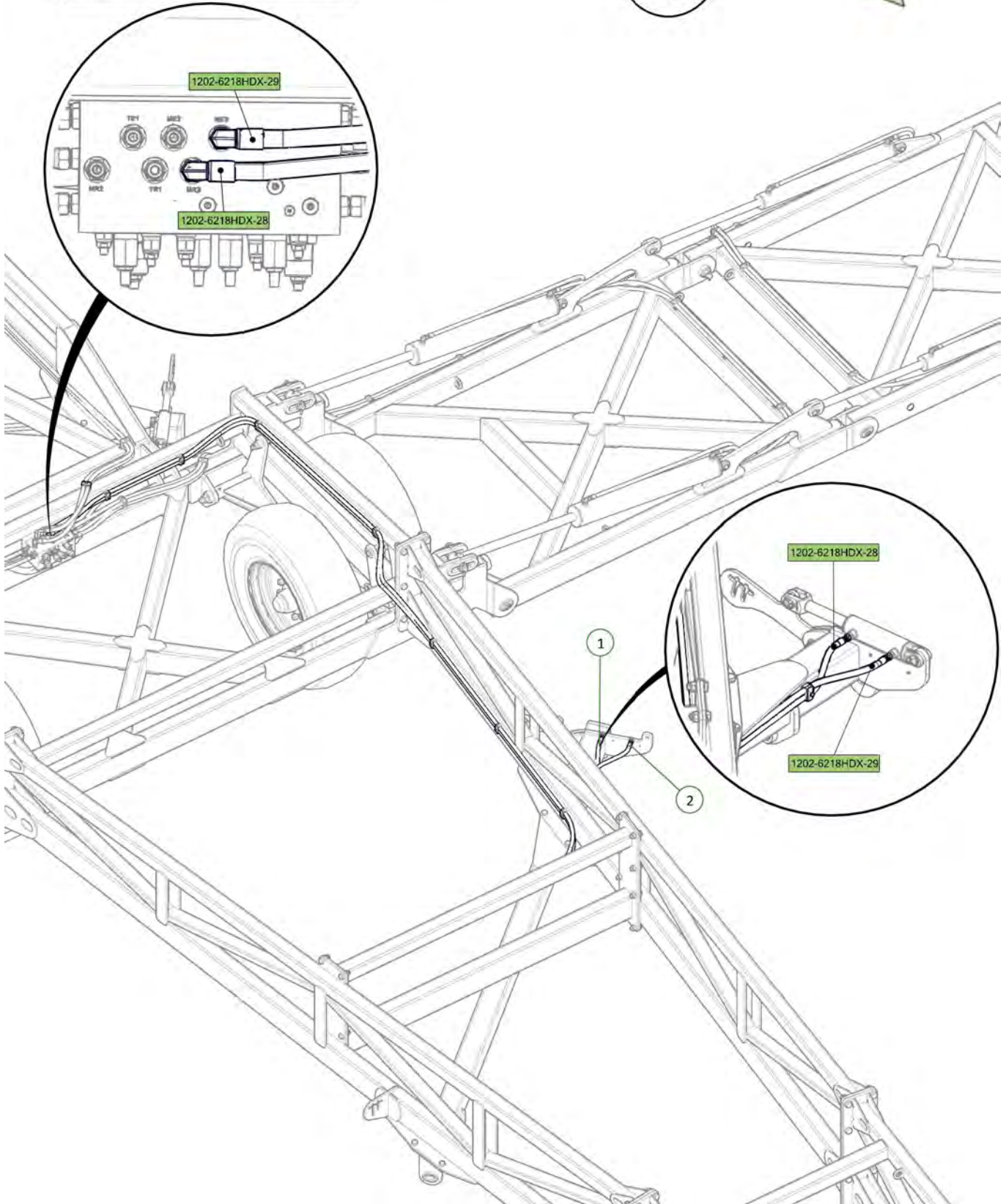
Item No.	Description	Number	Qty
1	2.5" Bore x 6" Stroke 1.5" Rod Side Port Cylinder	0311-256SP	1



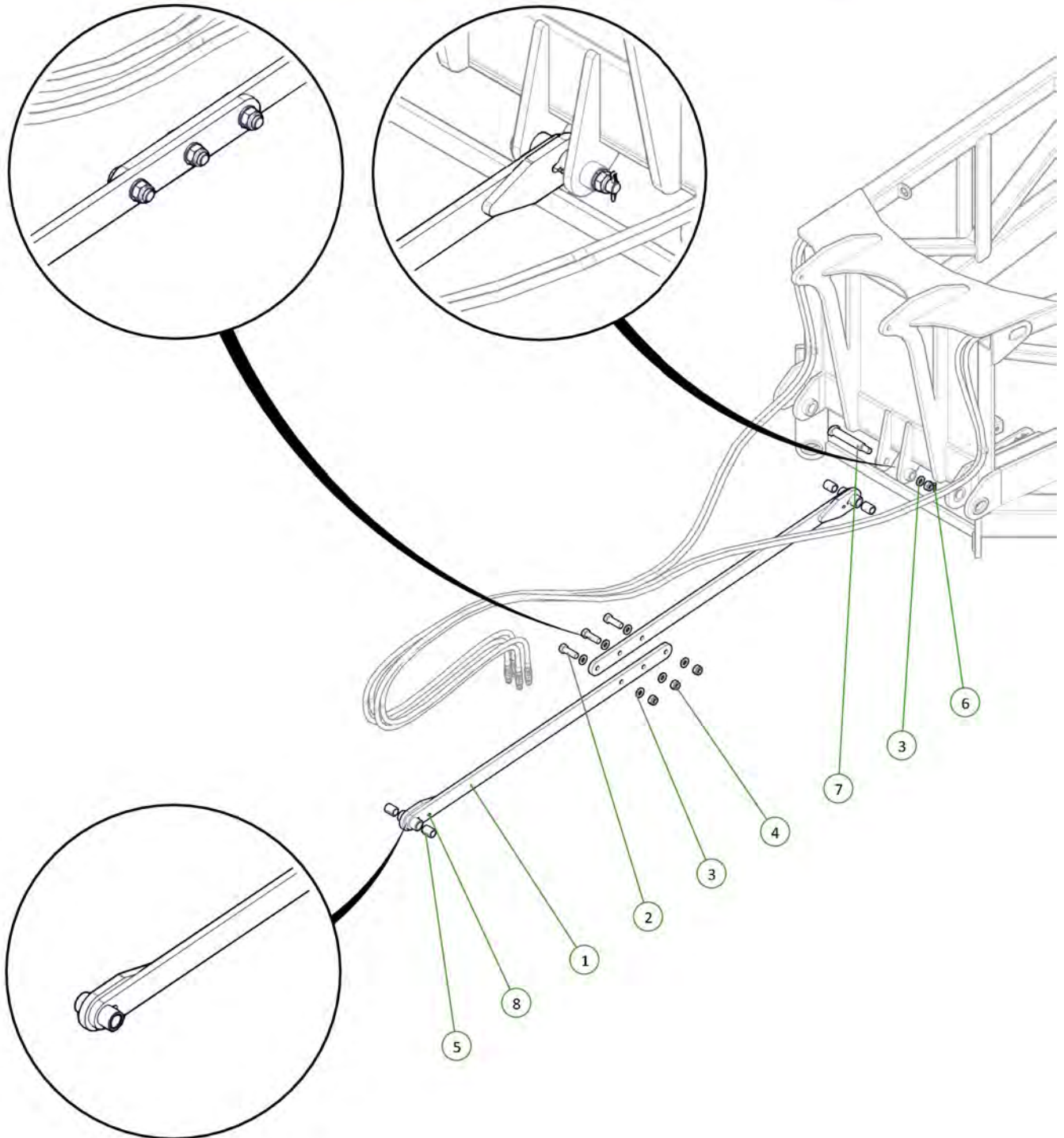


Item No.	Description	Number	Qty
1	Sequence Valve MR3 Port to Front Module Cylinder Retract Port	1202-6218HDX-28	1
2	Sequence Valve ME3 Port to Front Module Cylinder Extend Port	1202-6218HDX-29	1

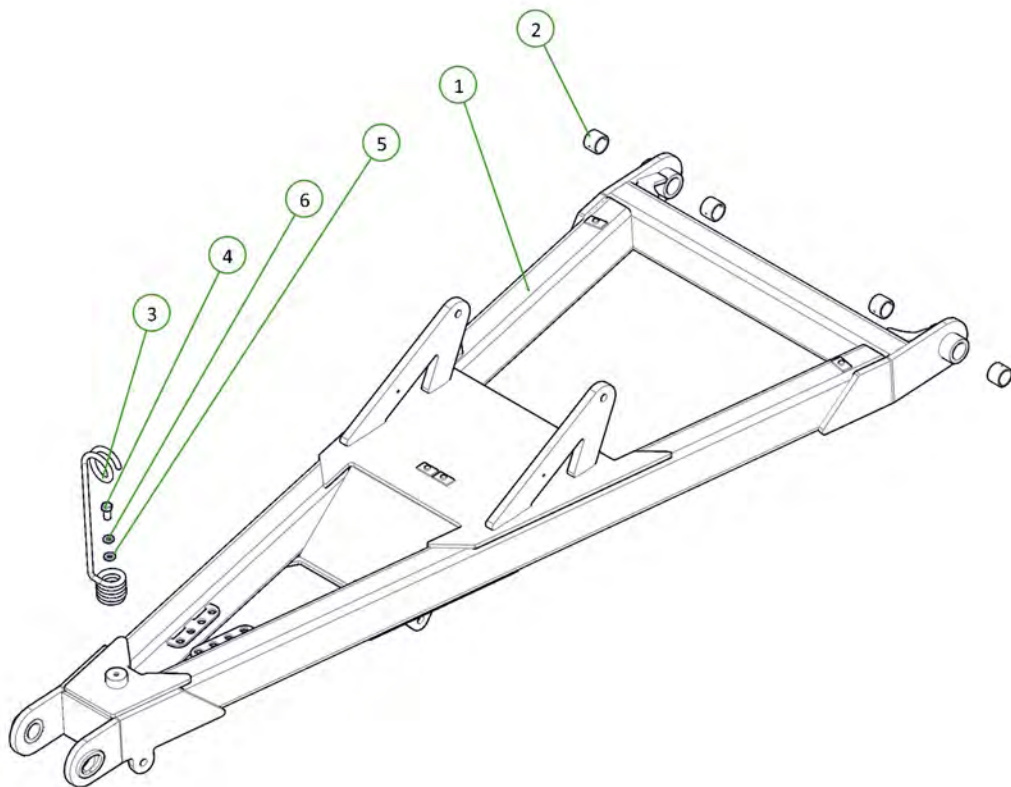
(other hoses on top of block hidden)



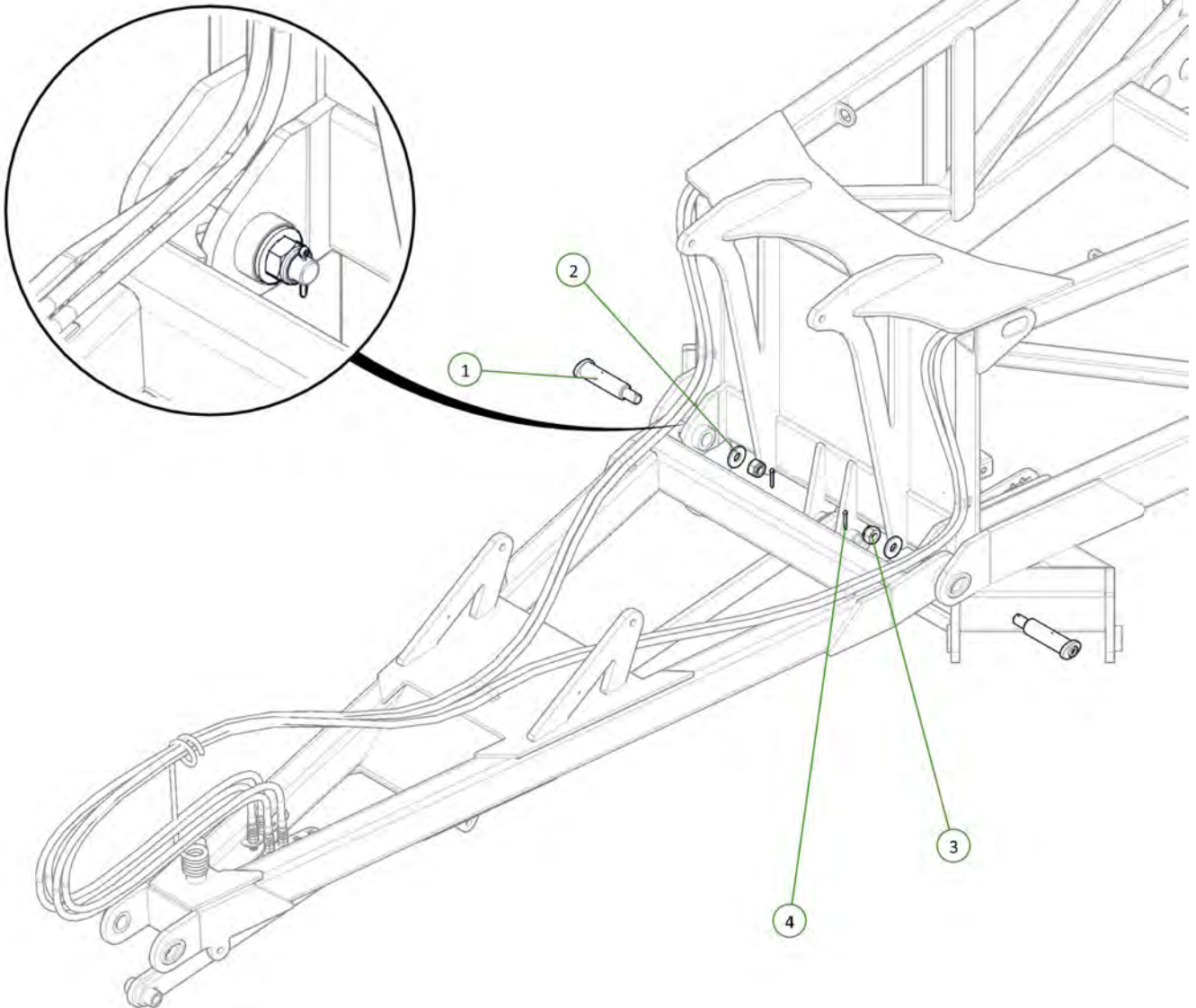
Item No.	Description	Number	Qty
1	Parallel Link Half	1210-22	2
2	M24 x 80 Class 8.8 ZP Bolt	0211-2480	3
3	Washer Flat M24	0231-F24	7
4	Nyloc Nut M24	0221-NYL24	4
5	35 ID x 50mm DX Bush	0113-MB3550DX	4
6	Cotter Pin M6 x 50mm	0261-PINC650	1
7	Oval Head 35mm Pivot Pin	1202-09	1
8	Grease Nipple 1/4" UNF	0181-GN1-4	4

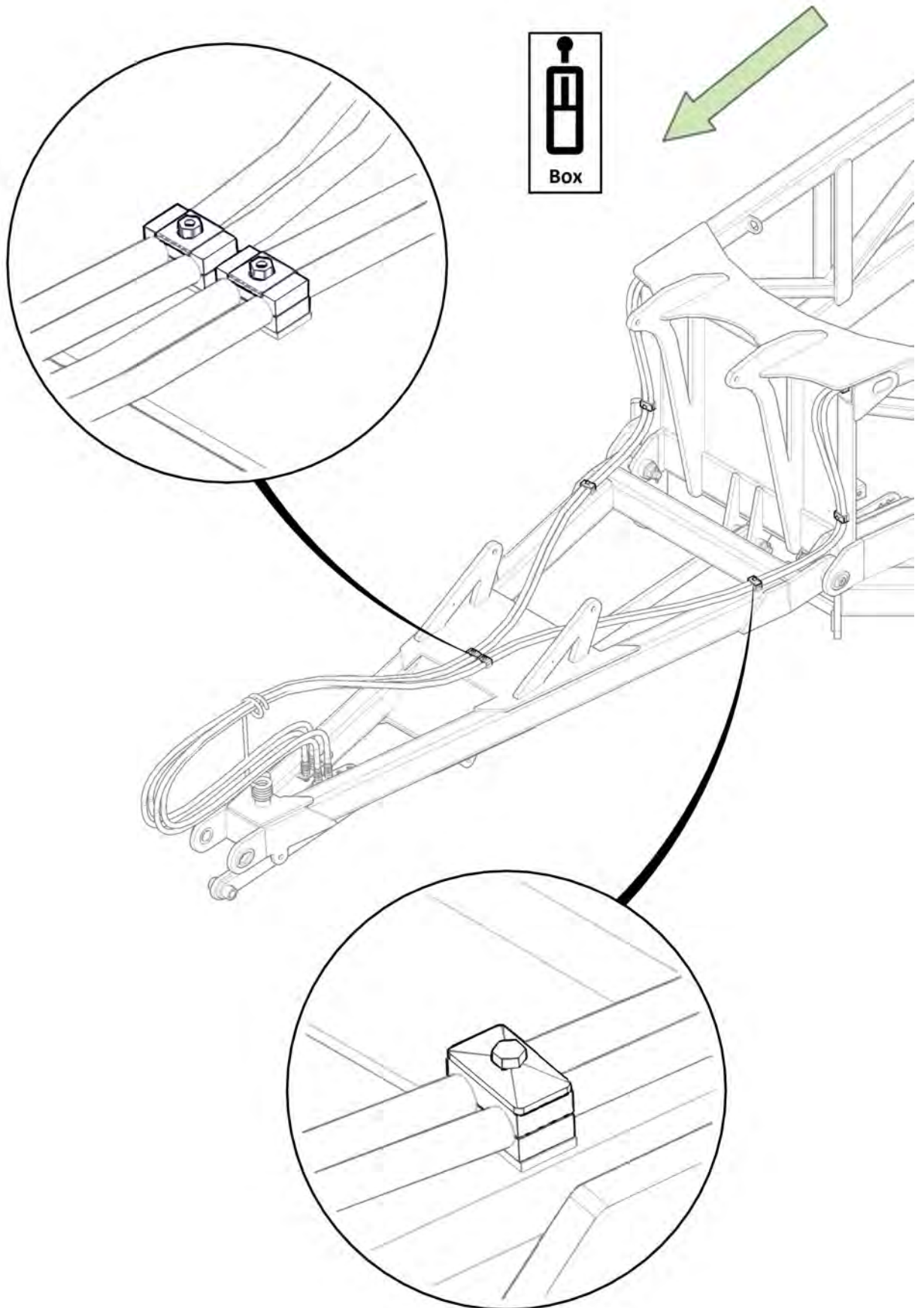


Item No.	Description	Number	Qty
1	Heavy Duty Drawbar	1210-08-2	1
2	50 ID x 40mm DX Bush	0113-MB5040DX	4
3	Hose Post Spring	1601-CDB-00-0012	1
4	M16 x 35 Class 8.8 ZP Bolt	0211-1635	1
5	Washer Flat M16	0231-F16	1
6	Washer Spring M16	0231-S16	1



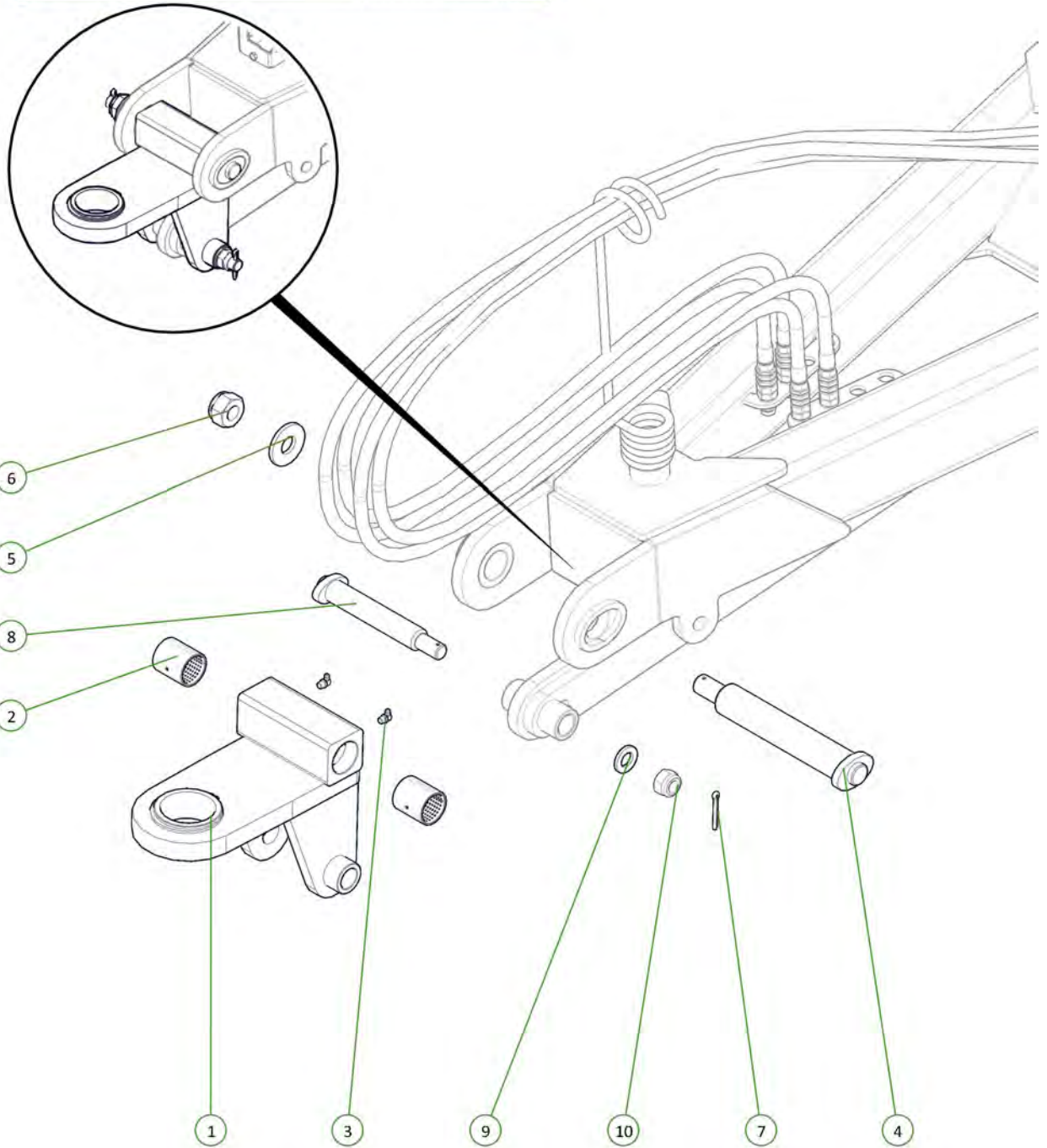
Item No.	Description	Number	Qty
1	Oval Head 50mm Short Pivot Pin Assembly	1202-06A	2
2	50mm Pivot Pin Retaining Washer	1200-60	2
3	Nyloc Nut M30	0221-NYL30	2
4	Cotter Pin M6 x 50mm	0261-PINC650	2



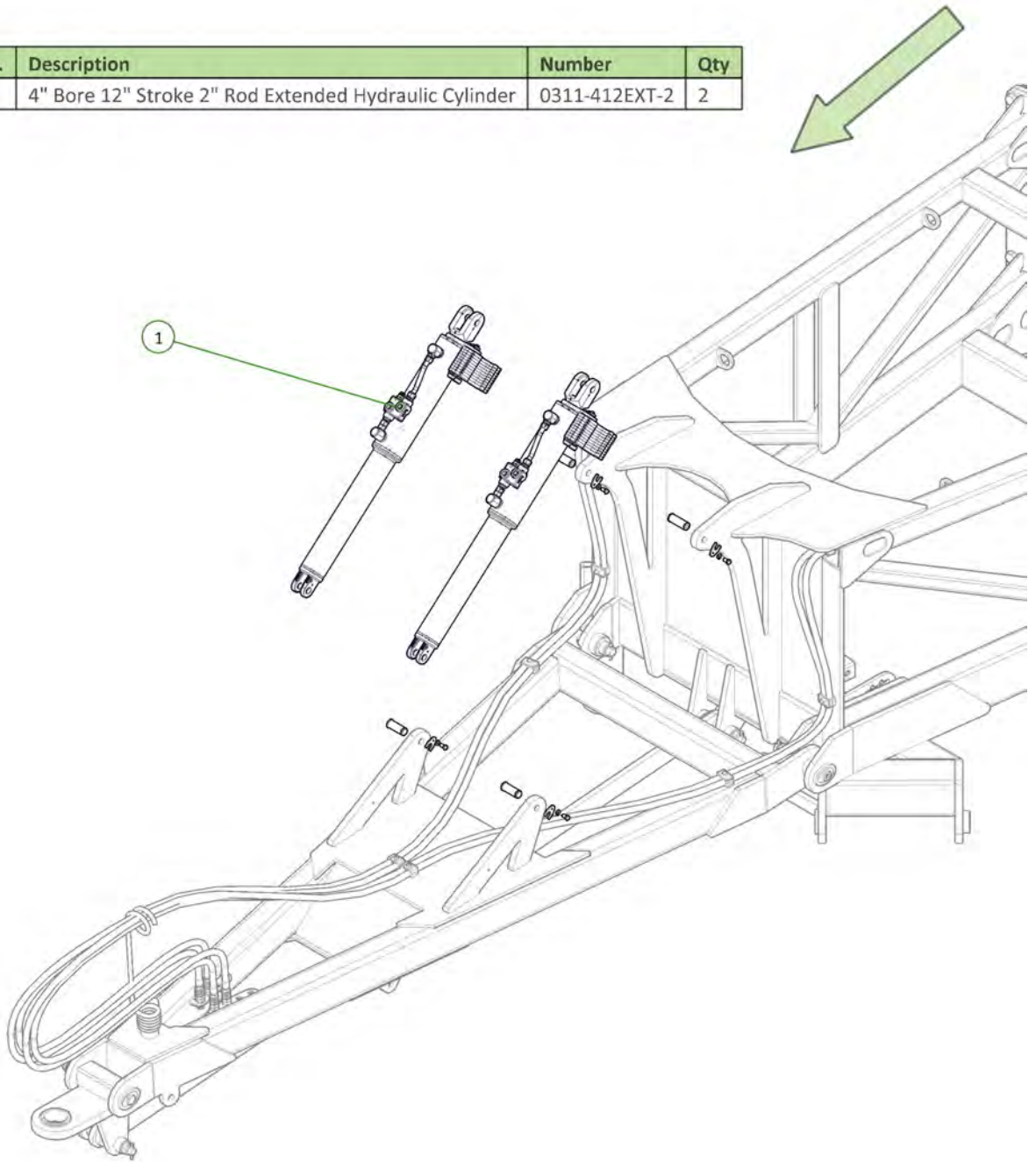


Box

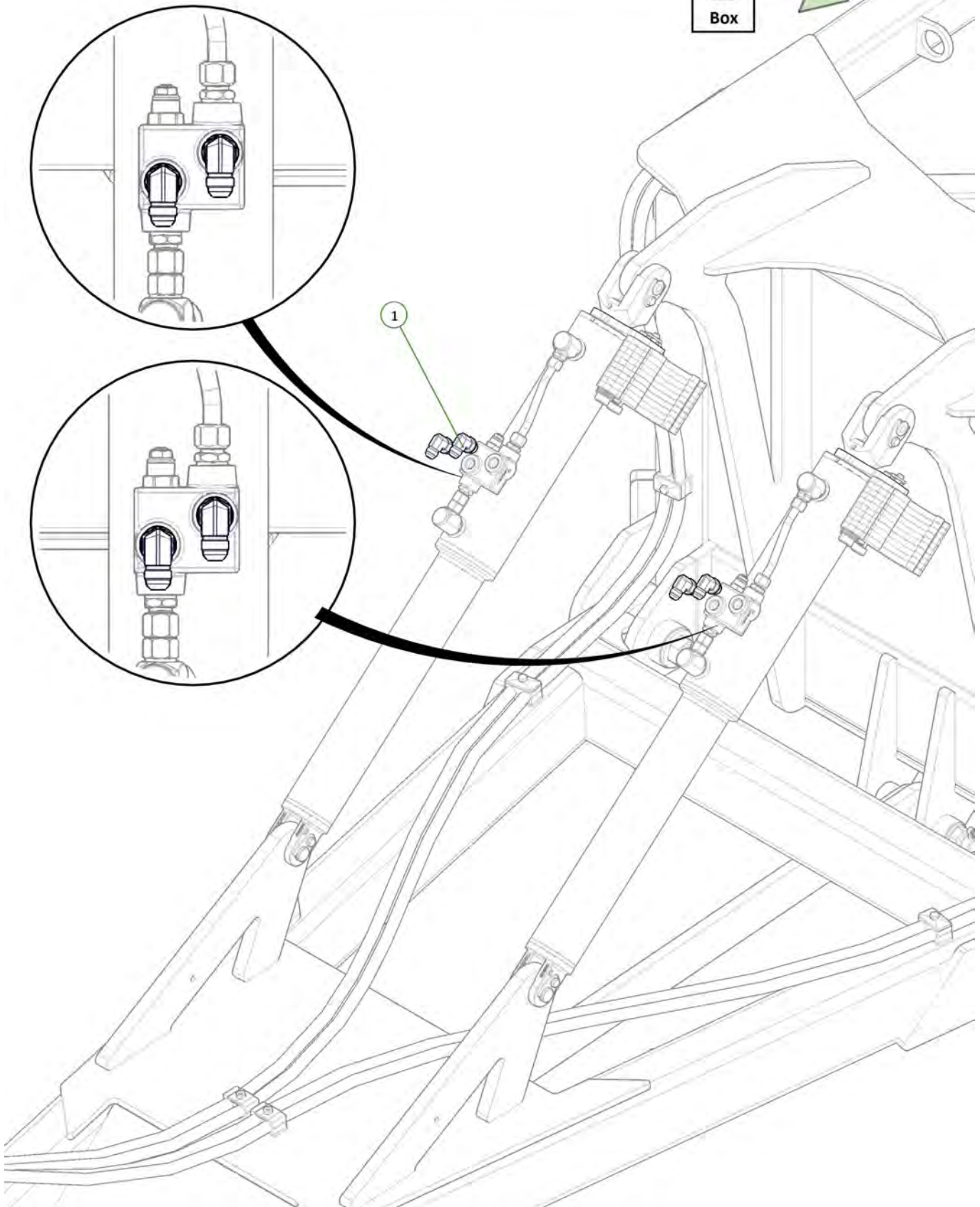
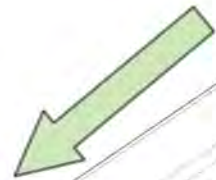
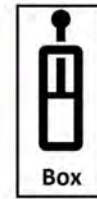
Item No.	Description	Number	Qty
1	Heavy Duty Drawbar Hitch	1210-09	1
2	50 ID x 60mm DX Bush	0113-MB5060DX	2
3	Grease Nipple 1/8" BSP 90 deg	0181-GN1-890	2
4	50mm Tow Hitch Pivot Pin	1202-11	1
5	50mm Pivot Pin Retaining Washer	1200-60	1
6	Nyloc Nut M30	0221-NYL30	1
7	Cotter Pin M6 x 50mm	0261-PINC650	2
8	Oval Head 35mm Pivot Pin	1202-09	1
9	Washer Flat M24	0231-F24	1
10	Nyloc Nut M24	0221-NYL24	1



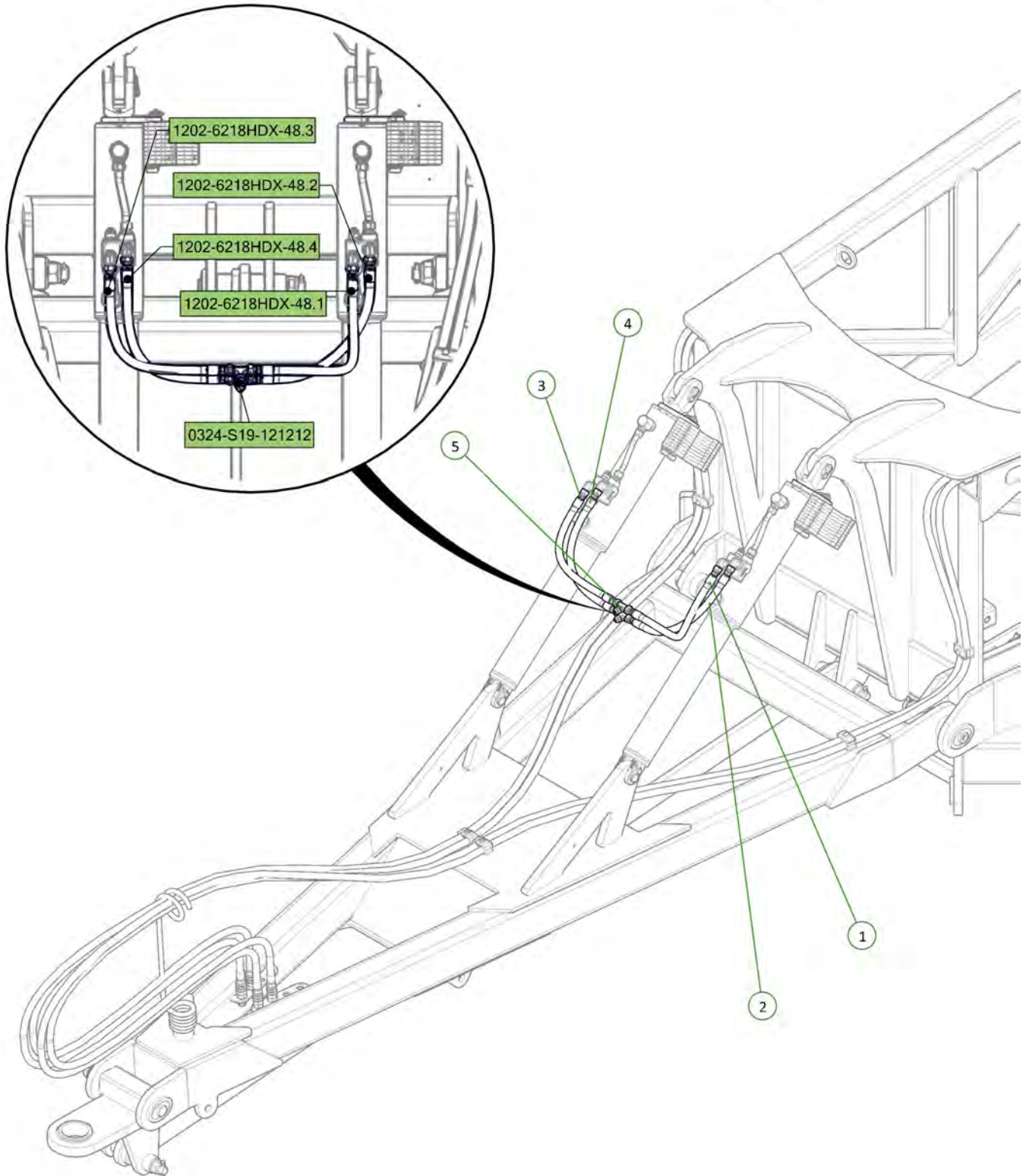
Item No.	Description	Number	Qty
1	4" Bore 12" Stroke 2" Rod Extended Hydraulic Cylinder	0311-412EXT-2	2



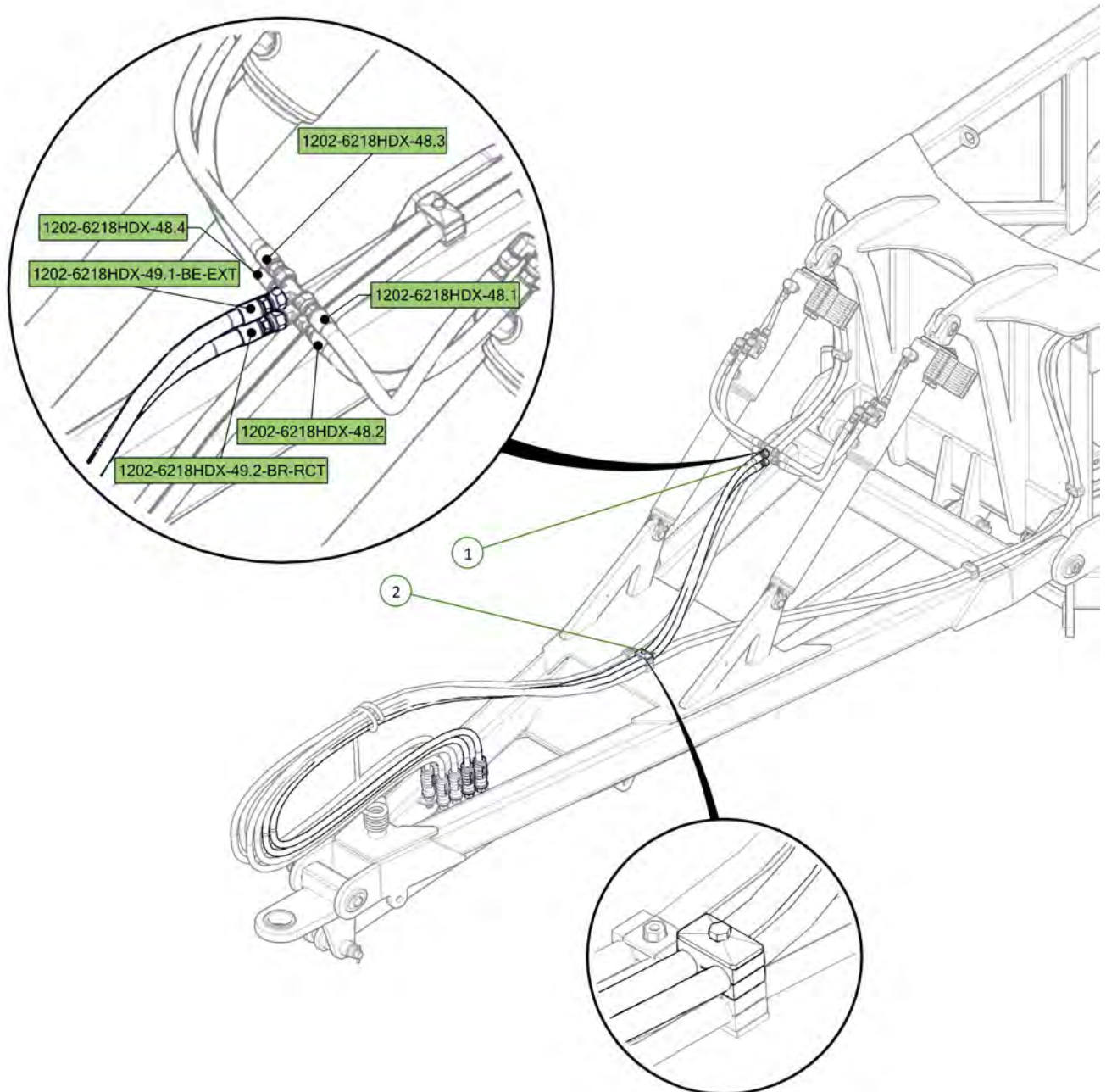
Item No.	Description	Number	Qty
1	3/4" JIC Male 3/4" UN O Ring Male 90° Elbow	0323-S91-1212	4



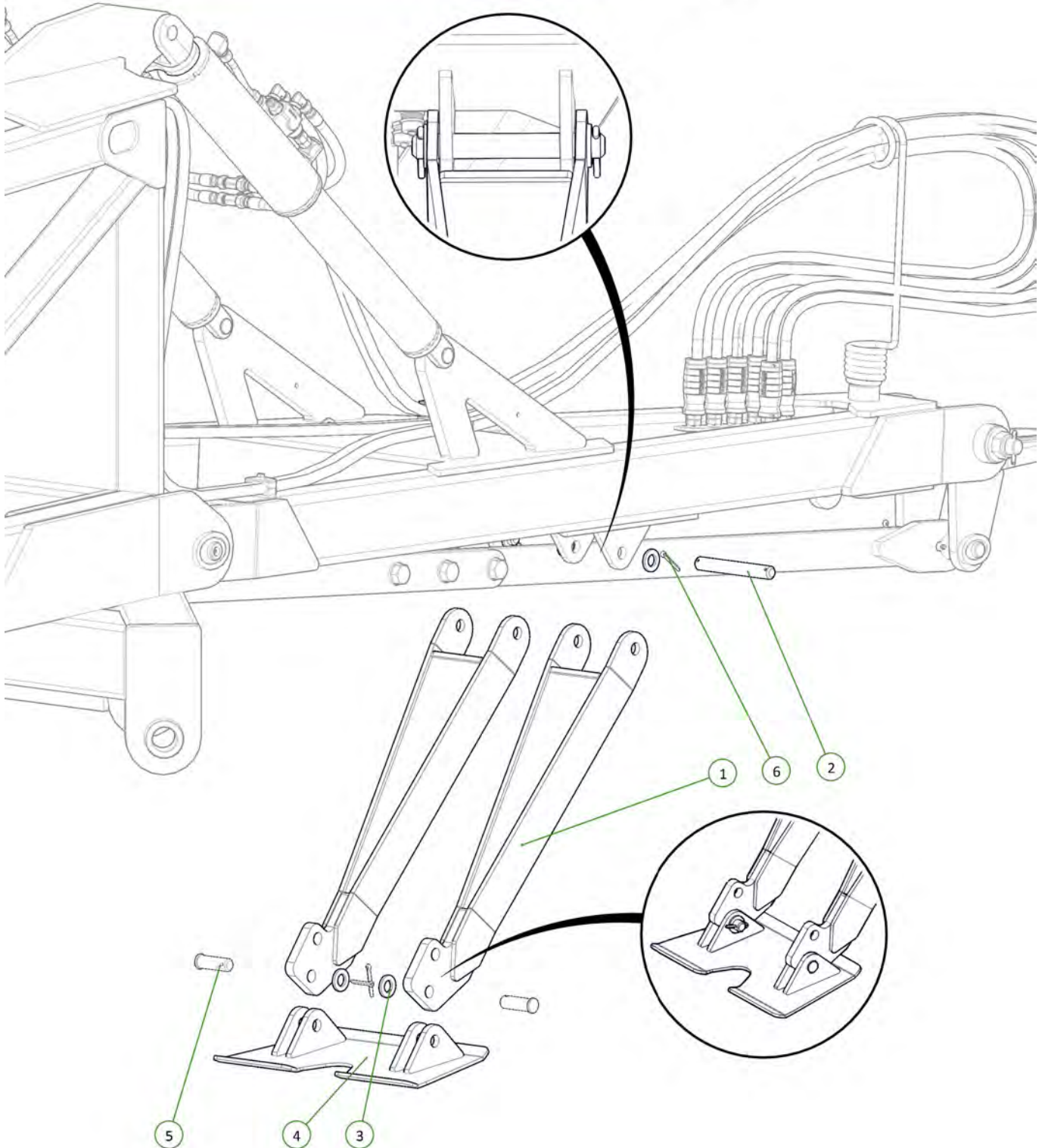
Item No.	Description	Number	Qty
1	LH Front Lift Cylinder Extend Port to Extend Tee	1202-6218HDX-48.1	1
2	LH Front Lift Cylinder Retract Port to Retract Tee	1202-6218HDX-48.2	1
3	RH Front Lift Cylinder Extend Port to Extend Tee	1202-6218HDX-48.3	1
4	RH Front Lift Cylinder Retract Port to Retract Tee	1202-6218HDX-48.4	1
5	3/4" JIC Male Tee 3/4" JIC Male Tee 3/4" JIC Male Tee	0324-S19-121212	2

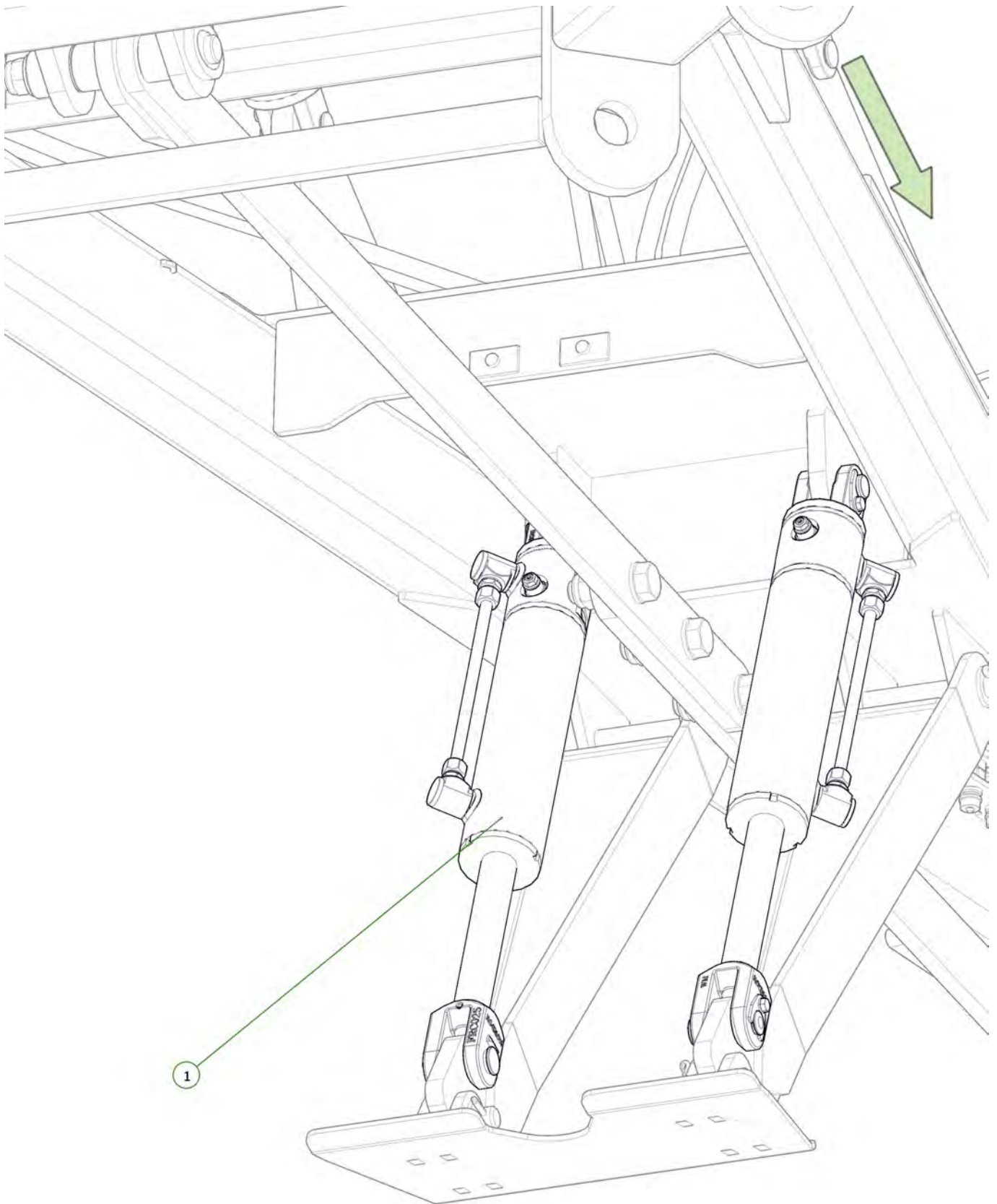


Item No.	Description	Number	Qty
1	Tractor to Front Lift Cylinder Extend Tee fitted with Blue EXT Grip	1202-6218HDX-49.1-BE-EXT	1
2	Tractor to Front Lift Cylinder Retract Tee fitted with Blue RCT Grip	1202-6218HDX-49.2-BR-RCT	1

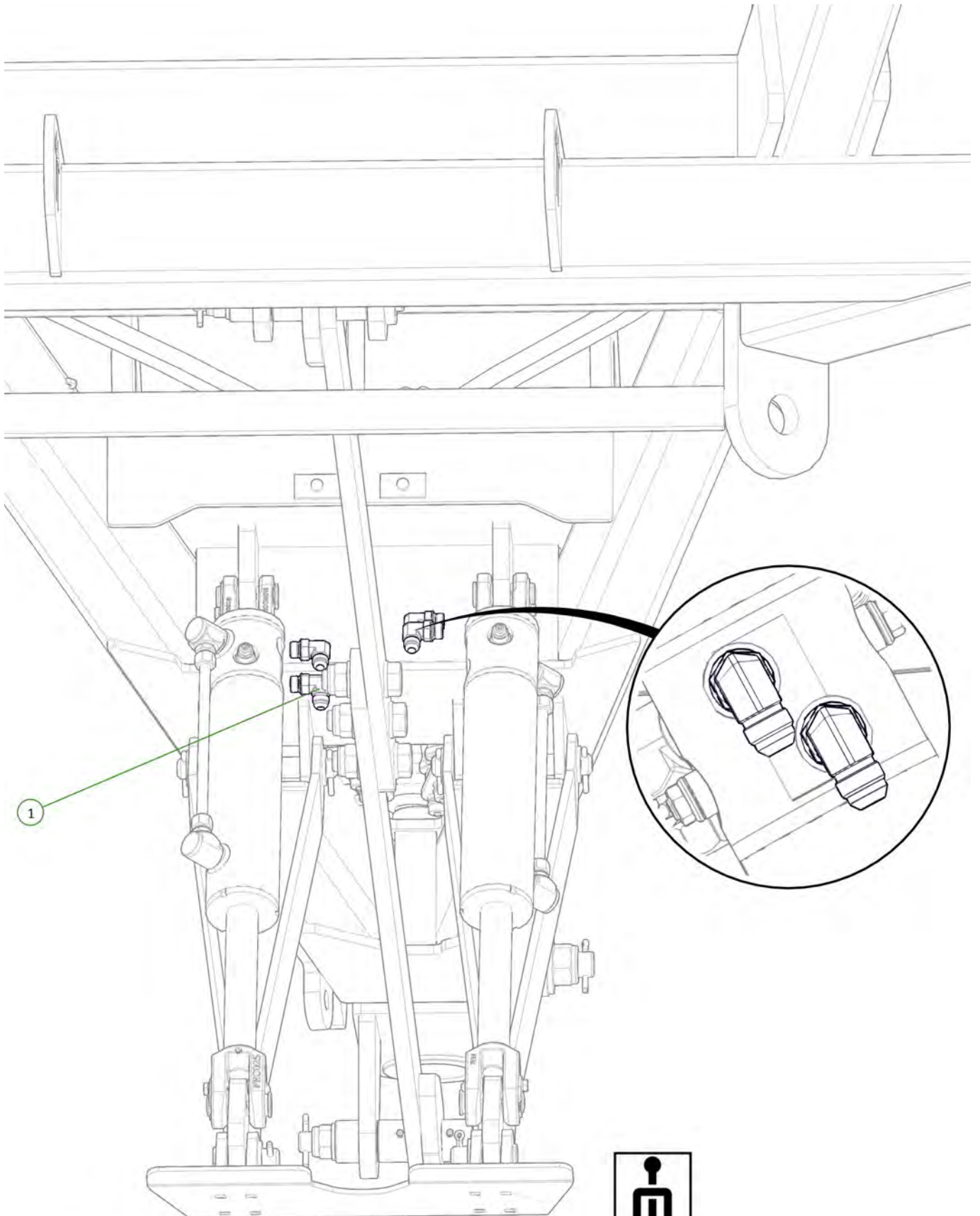


Item No.	Description	Number	Qty
1	Hyd Jack Arm	1210-82	2
2	25mm Shaft 185mm Long	1201-44	2
3	Washer Flat M24	0231-F24	6
4	Long Hydraulic Jack Foot	1210-155	1
5	Clevis Pin 25mm x 75mm	0801-KE0307-1	2
6	Cotter Pin M6 x 50mm	0261-PINC650	6





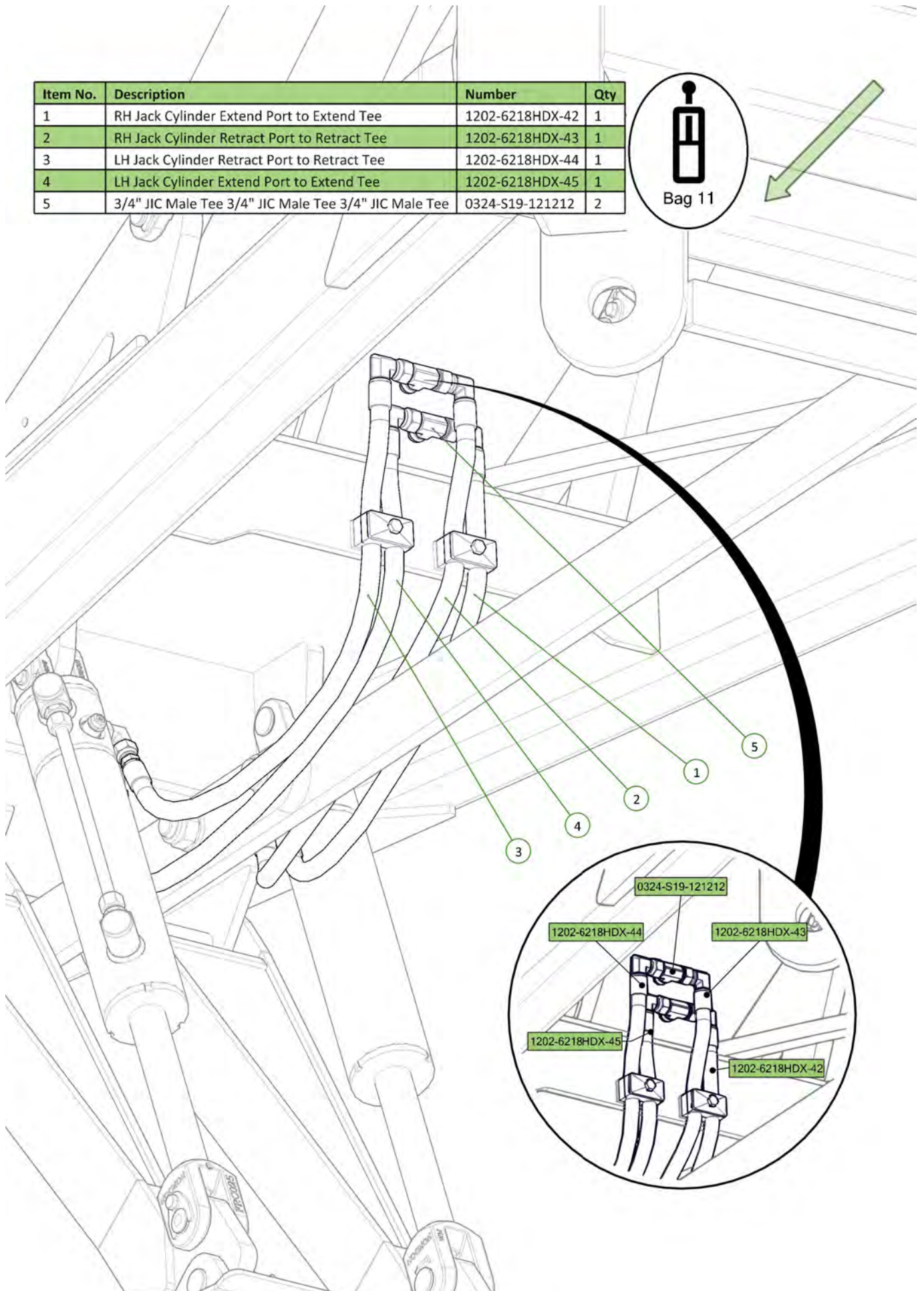
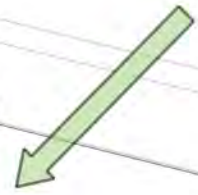
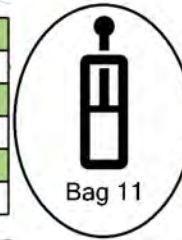
Item No.	Description	Number	Qty
1	3" Bore 8" Stroke NI Cylinder with Int DCBV Valve	0311-308SPOC	2



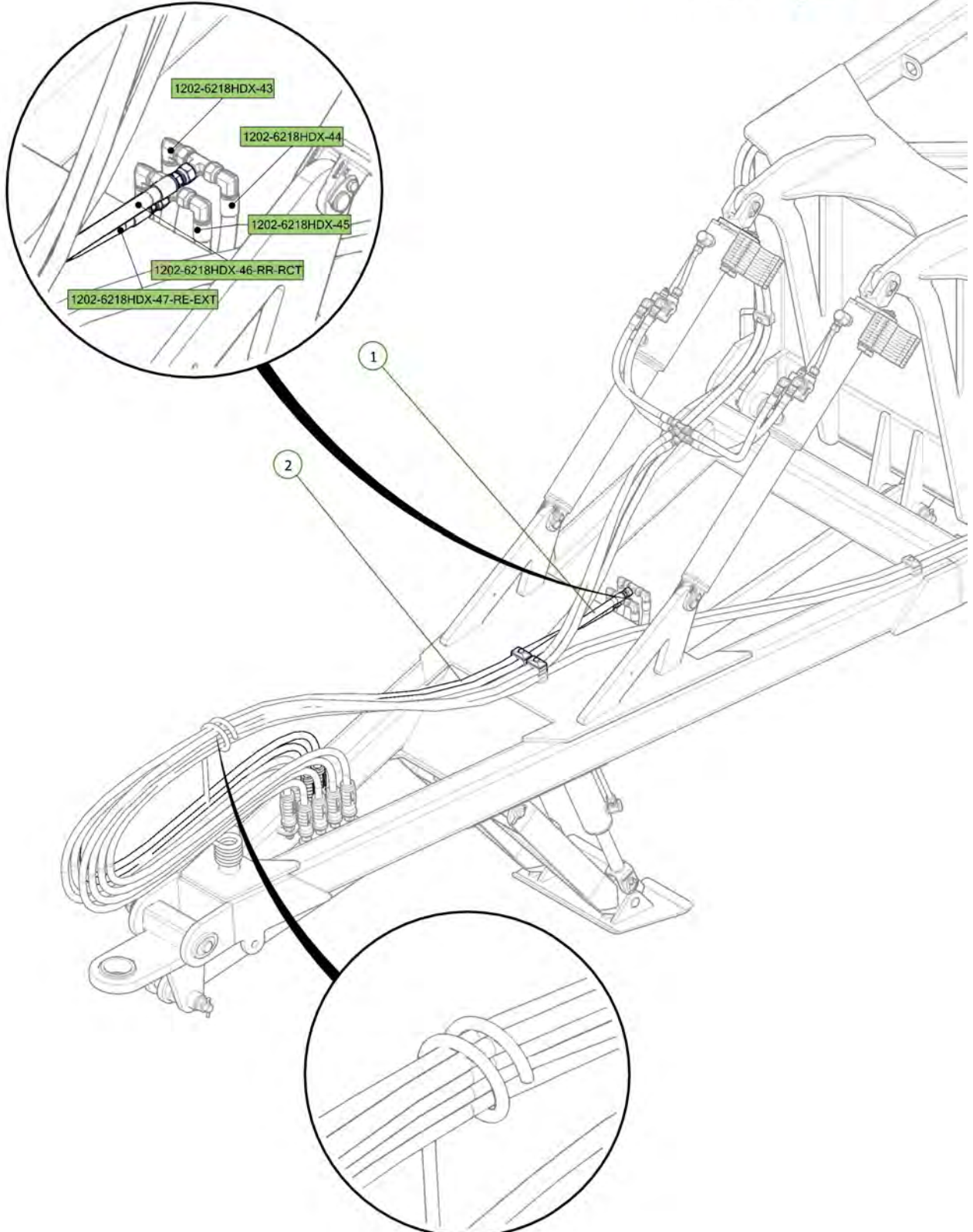
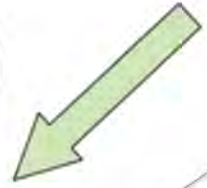
Item No.	Description	Number	Qty
1	3/4" JIC Male 3/4" UN O Ring Male 90° Elbow	0323-S91-1212	4



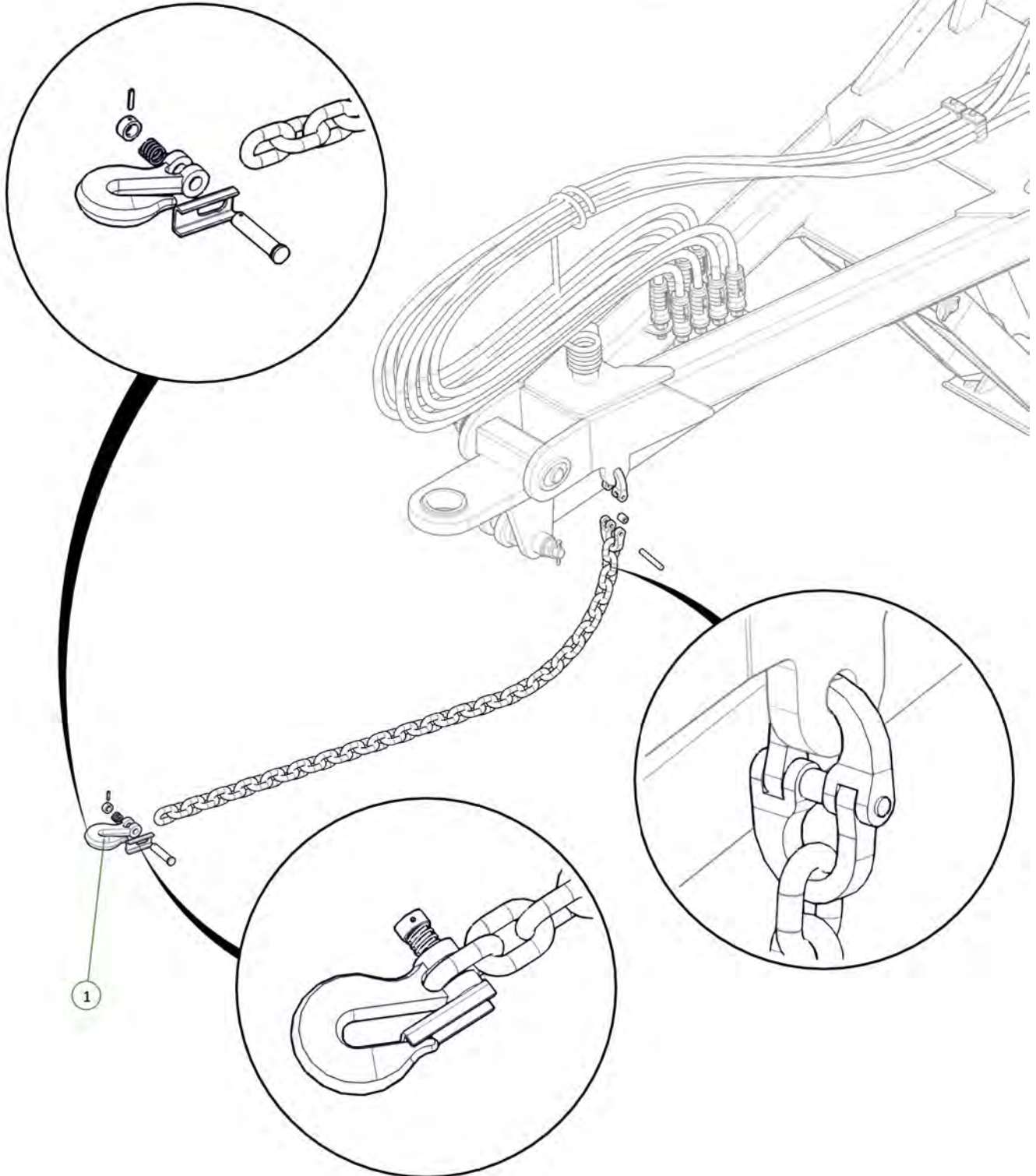
Item No.	Description	Number	Qty
1	RH Jack Cylinder Extend Port to Extend Tee	1202-6218HDX-42	1
2	RH Jack Cylinder Retract Port to Retract Tee	1202-6218HDX-43	1
3	LH Jack Cylinder Retract Port to Retract Tee	1202-6218HDX-44	1
4	LH Jack Cylinder Extend Port to Extend Tee	1202-6218HDX-45	1
5	3/4" JIC Male Tee 3/4" JIC Male Tee 3/4" JIC Male Tee	0324-S19-121212	2



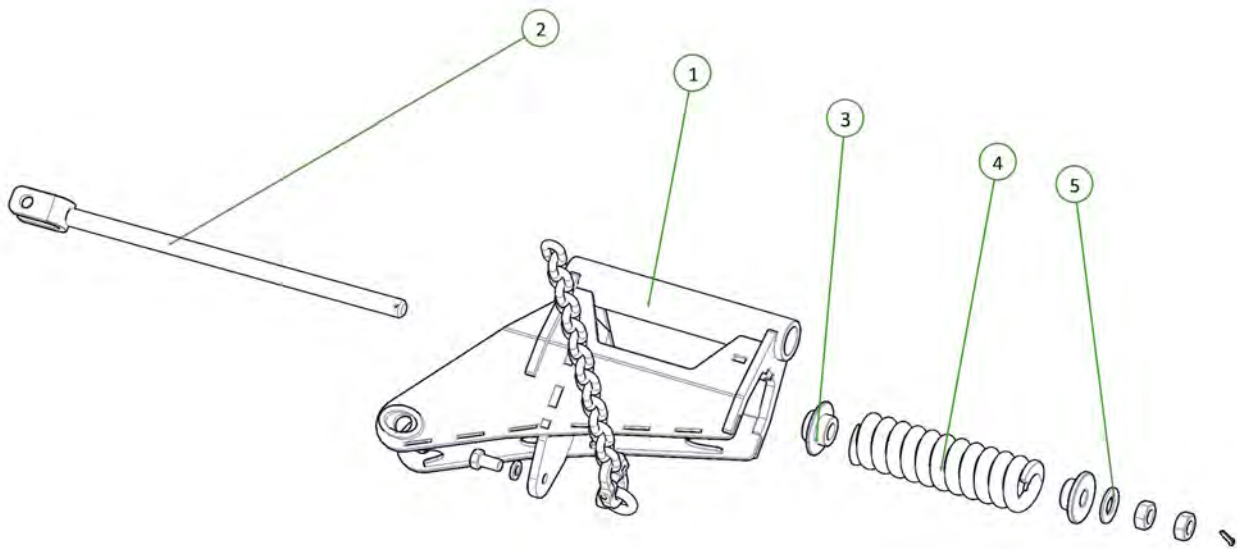
Item No.	Description	Number	Qty
1	Tractor to Jack Cylinder Retract Tee fitted with Red Retract Grip	1202-6218HDX-46-RR-RCT	1
2	Tractor to Jack Cylinder Extend Tee fitted with Red Extend Grip	1202-6218HDX-47-RE-EXT	1



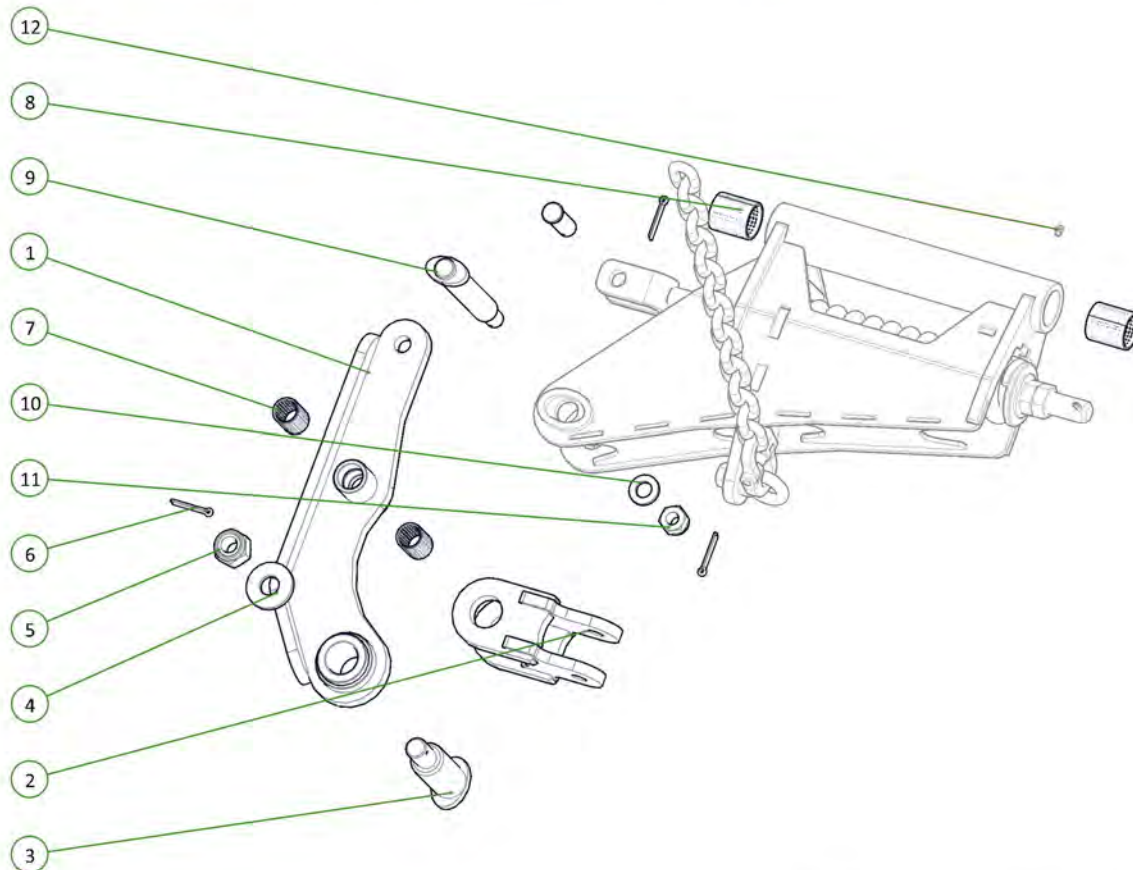
Item No.	Description	Number	Qty
1	Safety Chain Assembly	0810-16	1



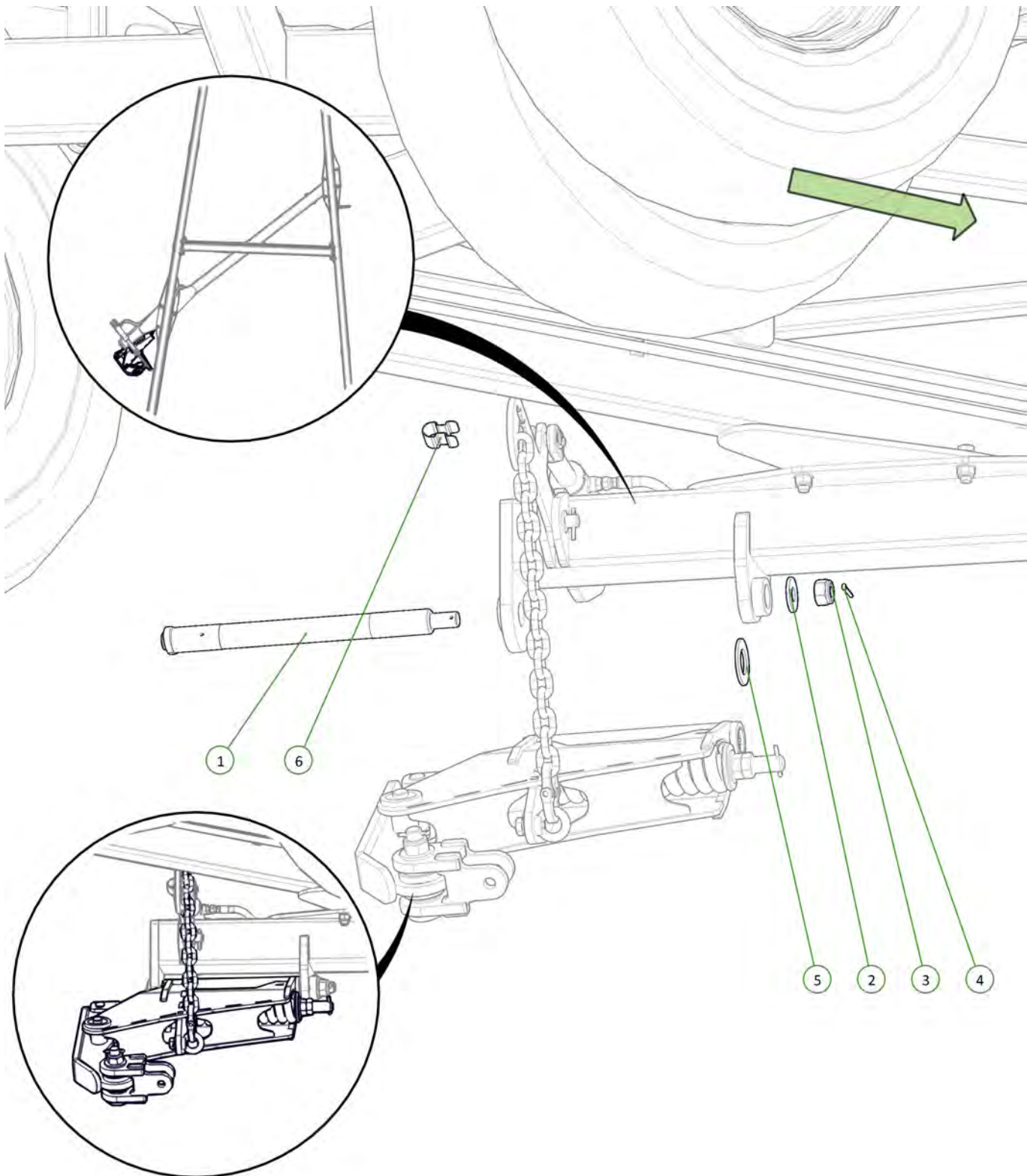
Item No.	Description	Number	Qty
1	Heavy Duty Tension Box	1210-108	1
2	Module Tension Rod Assembly	0810-105A	1
3	Rigid Spring Locator	0801-10-S2L	1
4	Heavy Duty Coil Spring 24mm	0801-K2455350	1
5	Washer High Tensile 1 1/4"	0232-HT11-4	1



Item No.	Description	Number	Qty
1	Chain Tension Arm	1210-104	1
2	PCHB553 Heavy Duty Mount Joint	1210-57	1
3	Oval Head Swivel Mount Pivot Pin	1202-15	1
4	50mm Pivot Pin Retaining Washer	1200-60	1
5	Nyloc Nut M30	0221-NYL30	1
6	Cotter Pin M6 x 50mm	0261-PINC650	2
7	35 ID x 50mm DX Bush	0113-MB3550DX	2
8	50 ID x 60mm DX Bush	0113-MB5060DX	2
9	Oval Head 35mm Pivot Pin	1202-09	1
10	Washer Flat M24	0231-F24	1
11	Nyloc Nut M24	0221-NYL24	1
12	Grease Nipple 1/4" UNF	0181-GN1-4	1

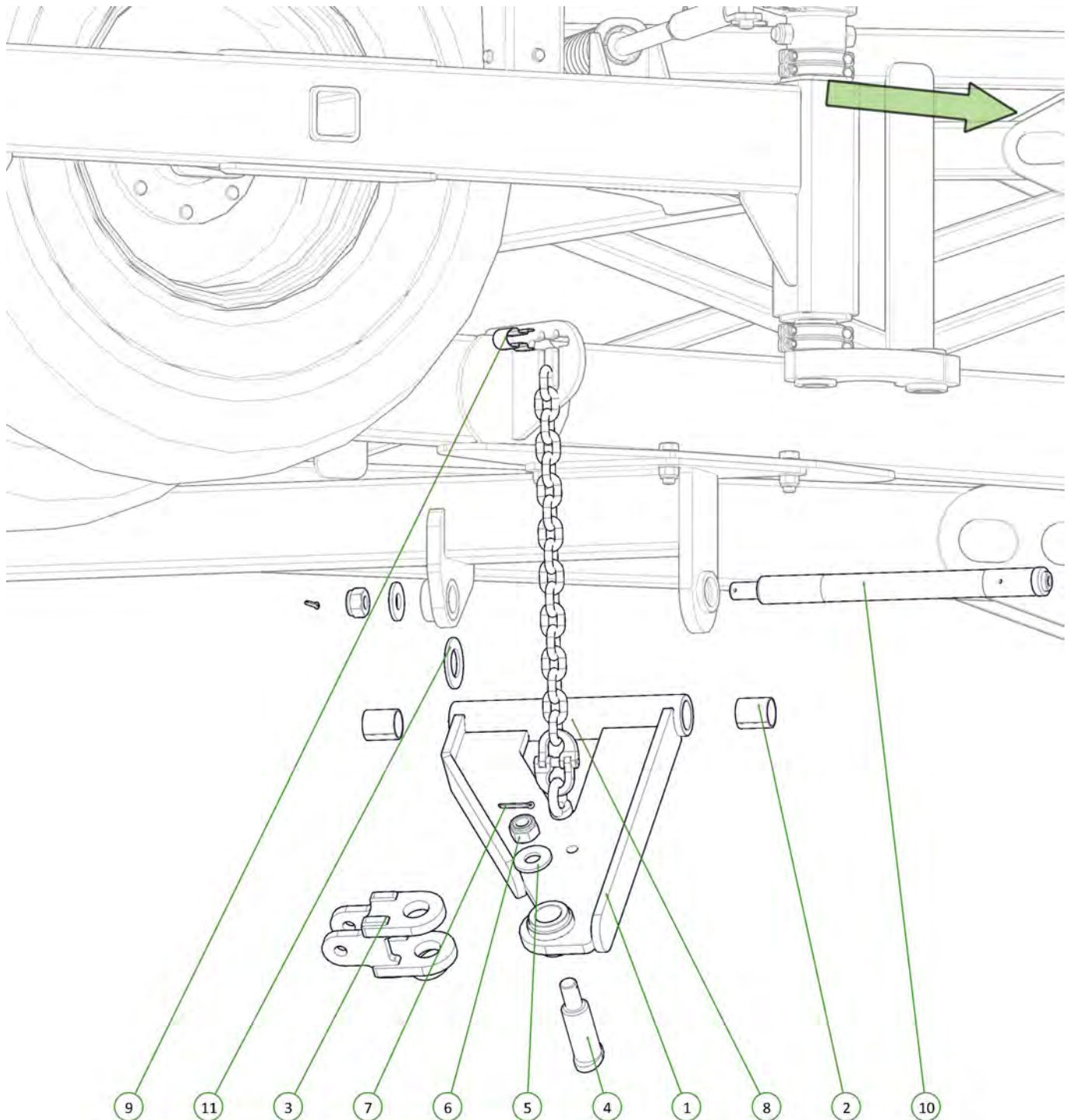


Note: Orientation of Clevis/ Pin



Item No.	Description	Number	Qty
1	Oval Head 50mm Long Pivot Pin A	1202-08A	1
2	50mm Pivot Pin Retaining Washer	1200-60	1
3	Nyloc Nut M30	0221-NYL30	1
4	Cotter Pin M6 x 50mm	0261-PINC650	1
5	Washer High Tensile 2"	0232-HT2	1
6	Height Adjustor Retaining Clip	0801-KE014	1

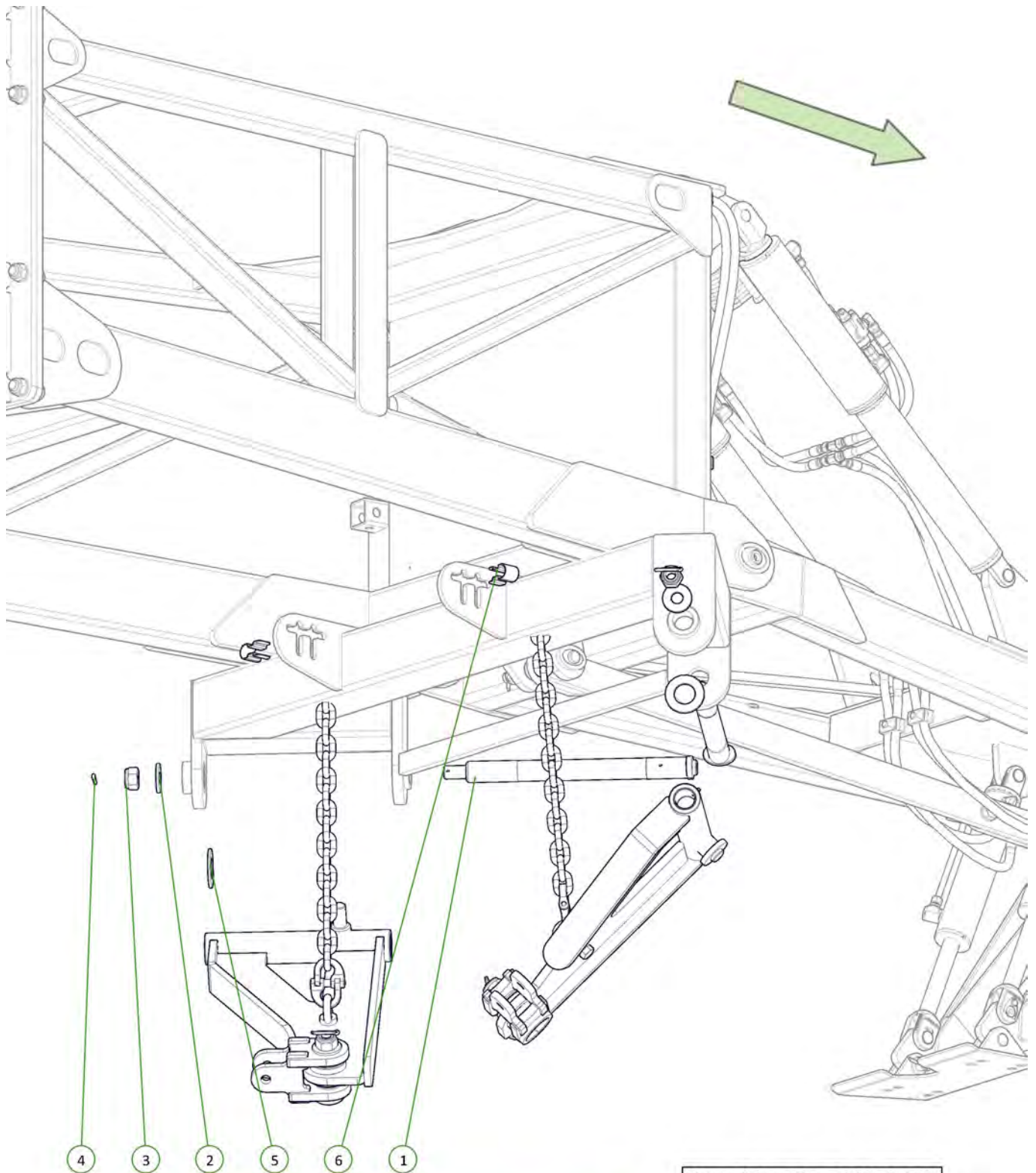




Item No.	Description	Number	Qty
1	Heavy Duty Chain Mount Plate	1210-20	1
2	50 ID x 60mm DX Bush	0113-MB5060DX	2
3	PCHB553 Heavy Duty Mount Joint	1210-57	1
4	Oval Head Swivel Mount Pivot Pin	1202-15	1
5	50mm Pivot Pin Retaining Washer	1200-60	2
6	Nyloc Nut M30	0221-NYL30	2
7	Cotter Pin M6 x 50mm	0261-PINC650	2
8	Height Adjusting Chain Assembly 17 Link	0801-20MCA-17	1
9	Height Adjustor Retaining Clip	0801-KE014	1
10	Oval Head 50mm Long Pivot Pin A	1202-08A	1
11	Washer High Tensile 2"	0232-HT2	1

Note: Orientation of Clevis/ Pin

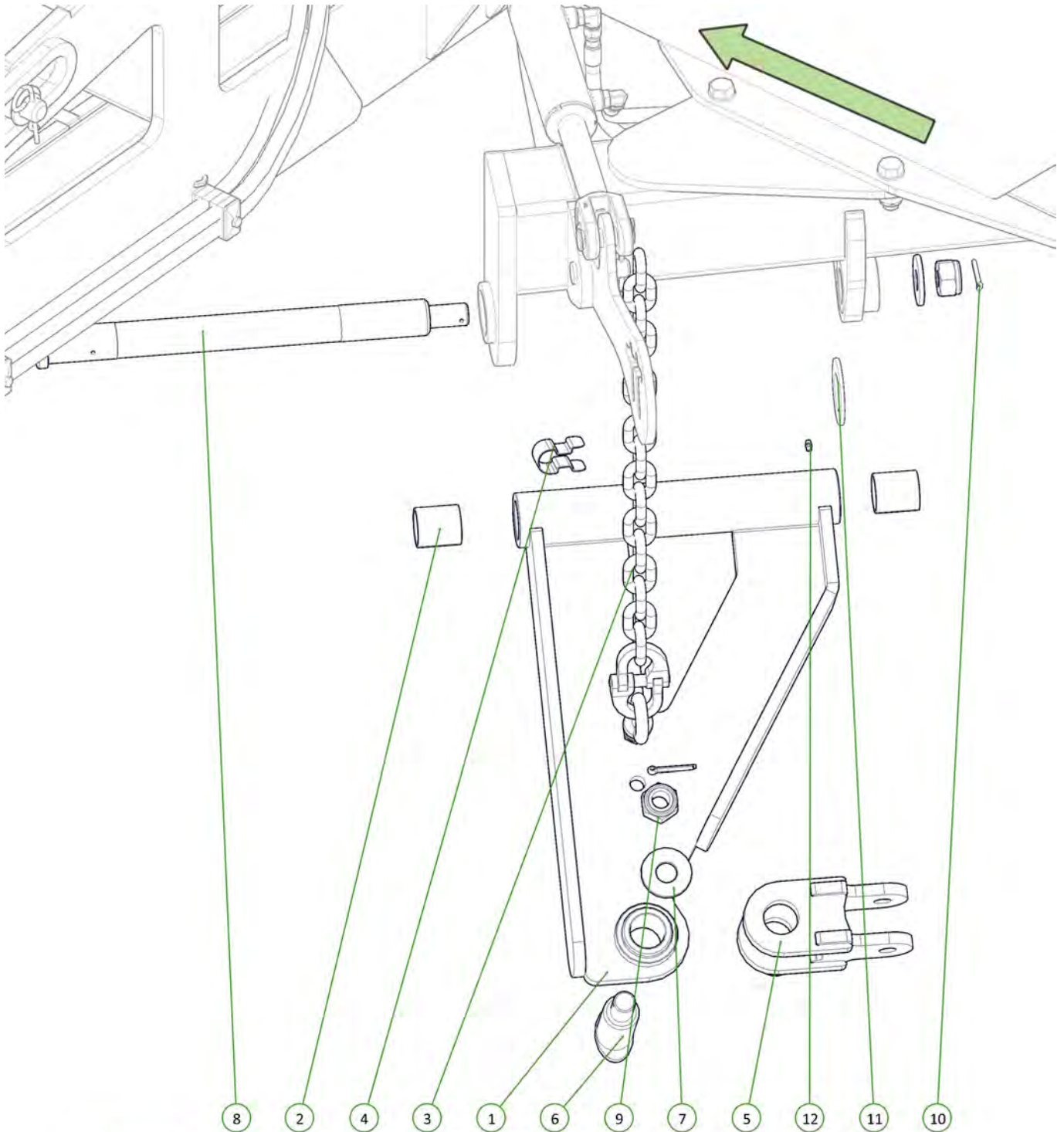




Note: Orientation of Clevis/ Pin

Item No.	Description	Number	Qty
1	Oval Head 50mm Long Pivot Pin A	1202-08A	2
2	50mm Pivot Pin Retaining Washer	1200-60	2
3	Nyloc Nut M30	0221-NYL30	2
4	Cotter Pin M6 x 50mm	0261-PINC650	2
5	Washer High Tensile 2"	0232-HT2	2
6	Height Adjustor Retaining Clip	0801-KE014	2



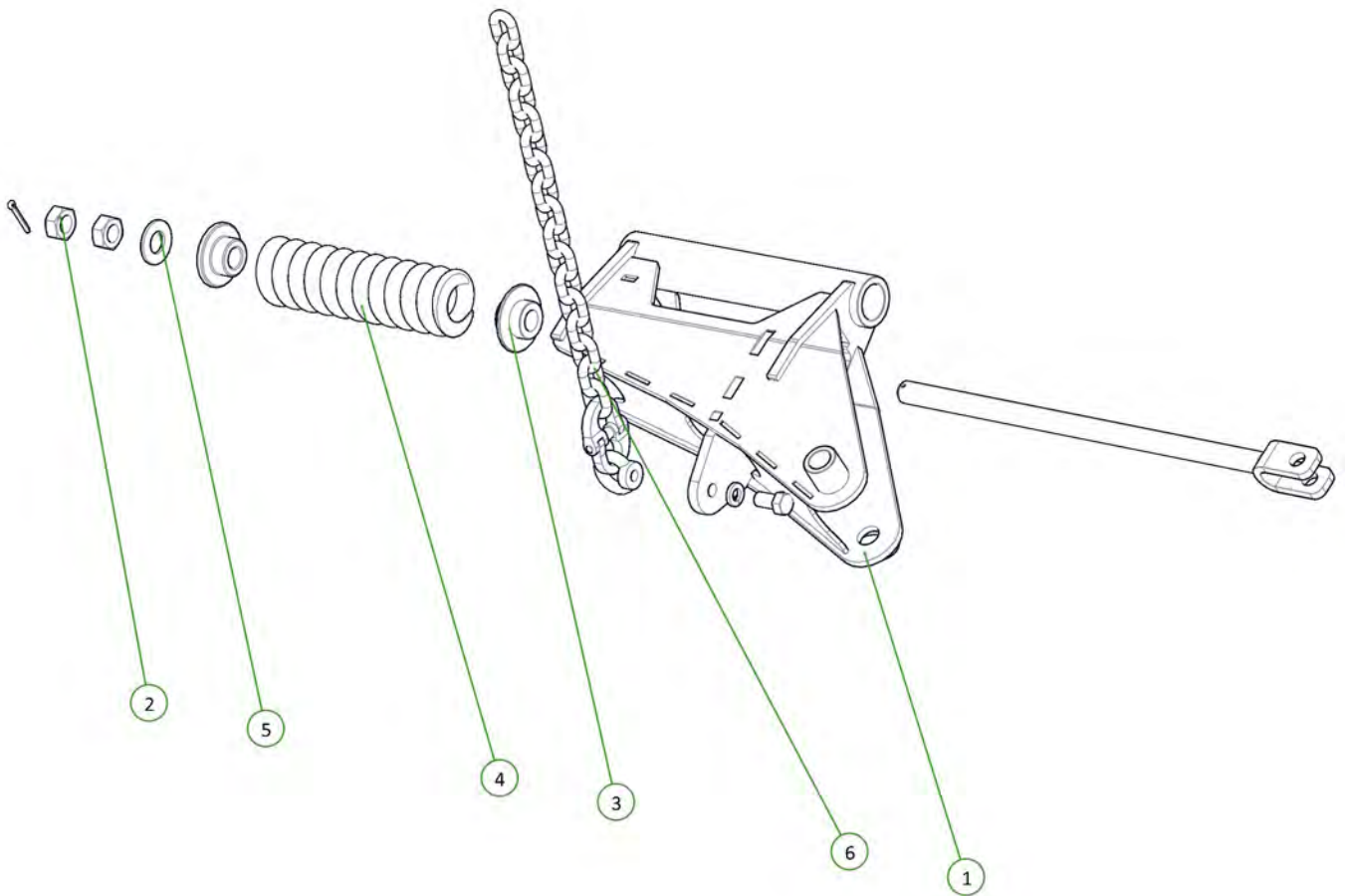


Item No.	Description	Number	Qty
1	Heavy Duty Chain Mount Plate	1210-20	1
2	50 ID x 60mm DX Bush	0113-MB5060DX	2
3	Height Adjusting Chain Assembly 17 Link	0801-20MCA-17	1
4	Height Adjustor Retaining Clip	0801-KE014	1
5	PCHB553 Heavy Duty Mount Joint	1210-57	1
6	Oval Head Swivel Mount Pivot Pin	1202-15	1
7	50mm Pivot Pin Retaining Washer	1200-60	2
8	Oval Head 50mm Long Pivot Pin A	1202-08A	1
9	Nyloc Nut M30	0221-NYL30	2
10	Cotter Pin M6 x 50mm	0261-PINC650	2
11	Washer High Tensile 2"	0232-HT2	1
12	Grease Nipple 1/4" UNF	0181-GN1-4	1

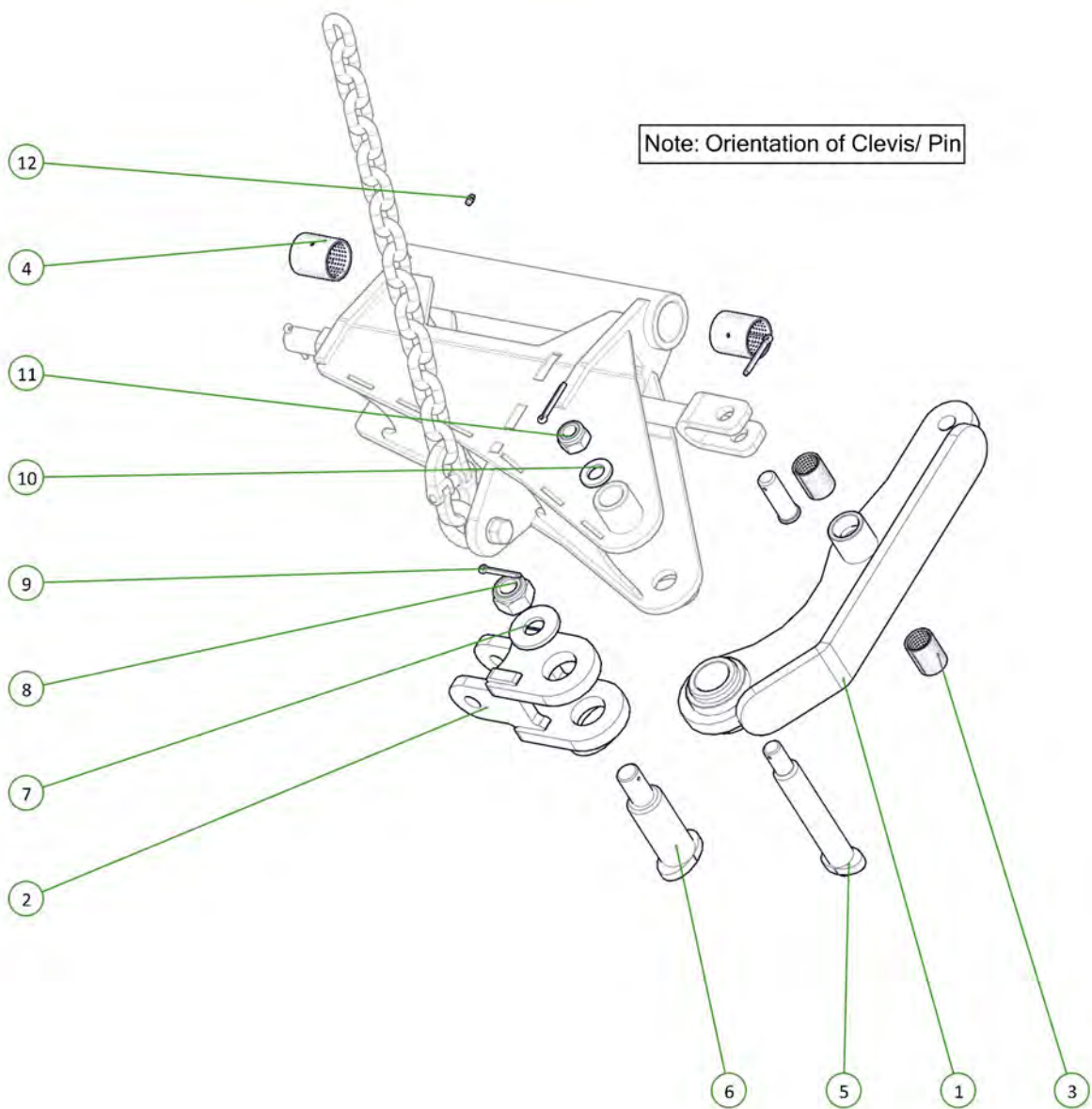
Note: Orientation of Clevis/ Pin

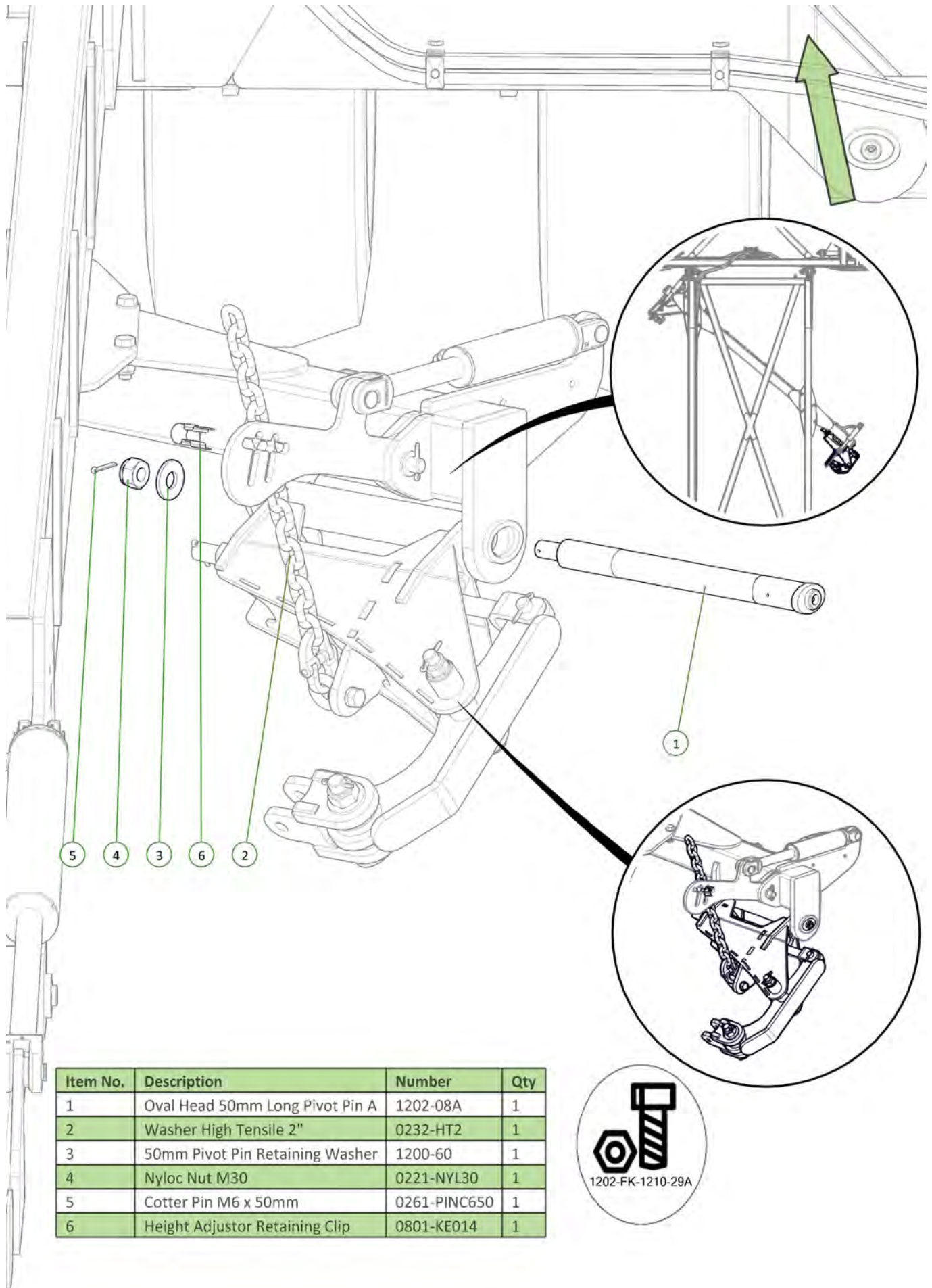


Item No.	Description	Number	Qty
1	Heavy Duty Tension Box	1210-108	1
2	Module Tension Rod Assembly	0810-105A	1
3	Rigid Spring Locator	0801-10-S2L	1
4	Heavy Duty Coil Spring 24mm	0801-K2455350	1
5	Washer High Tensile 1 1/4"	0232-HT11-4	1
6	Height Adjusting Chain Assembly 17 Link	0801-20MCA-17	1



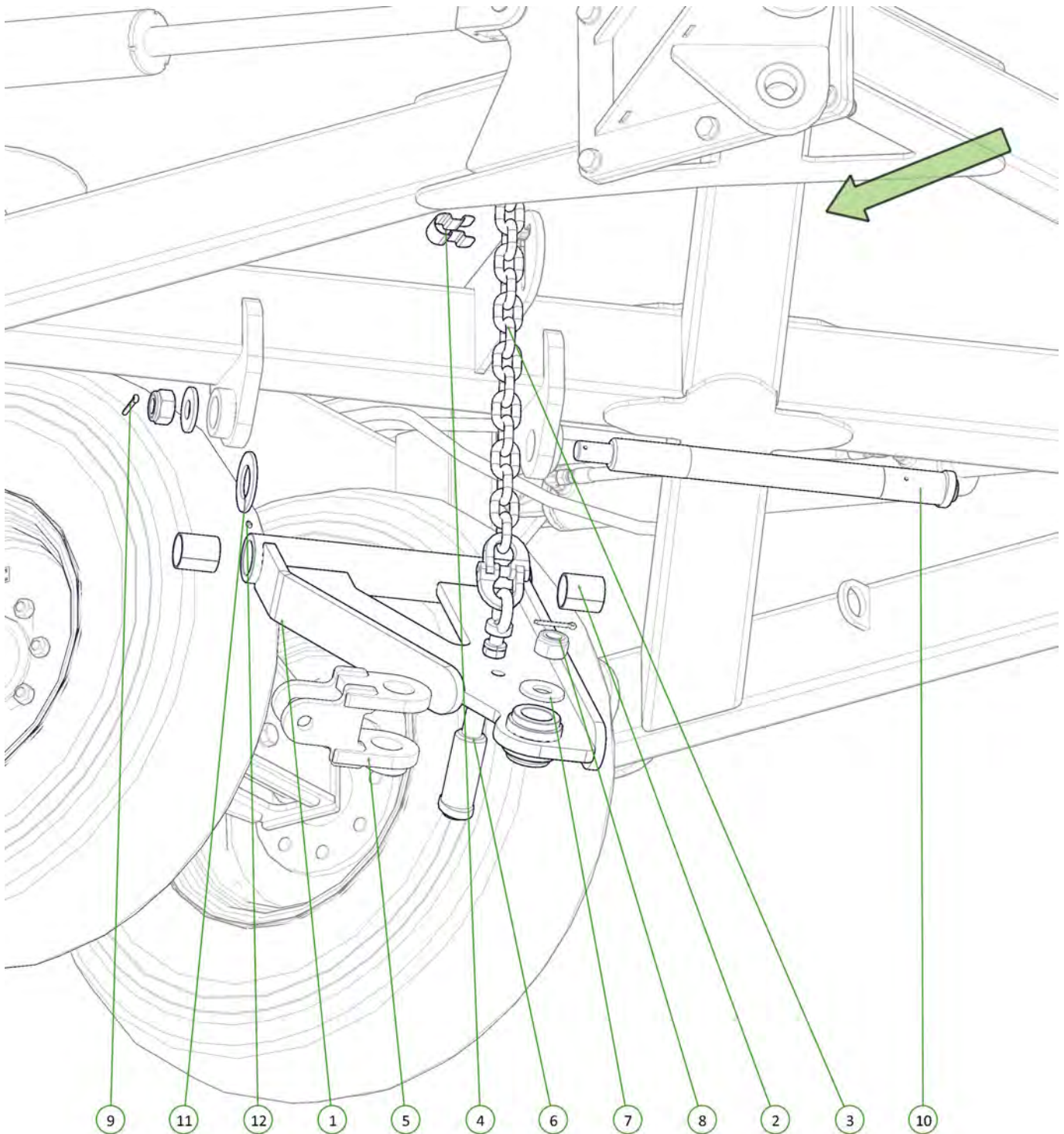
Item No.	Description	Number	Qty
1	Chain Tension Arm	1210-104	1
2	PCHB553 Heavy Duty Mount Joint	1210-57	1
3	35 ID x 50mm DX Bush	0113-MB3550DX	2
4	50 ID x 60mm DX Bush	0113-MB5060DX	2
5	Oval Head 35mm Pivot Pin	1202-09	1
6	Oval Head Swivel Mount Pivot Pin	1202-15	1
7	50mm Pivot Pin Retaining Washer	1200-60	1
8	Nyloc Nut M30	0221-NYL30	1
9	Cotter Pin M6 x 50mm	0261-PINC650	2
10	Washer Flat M24	0231-F24	1
11	Nyloc Nut M24	0221-NYL24	1
12	Grease Nipple 1/4" UNF	0181-GN1-4	1





Item No.	Description	Number	Qty
1	Oval Head 50mm Long Pivot Pin A	1202-08A	1
2	Washer High Tensile 2"	0232-HT2	1
3	50mm Pivot Pin Retaining Washer	1200-60	1
4	Nyloc Nut M30	0221-NYL30	1
5	Cotter Pin M6 x 50mm	0261-PINC650	1
6	Height Adjustor Retaining Clip	0801-KE014	1



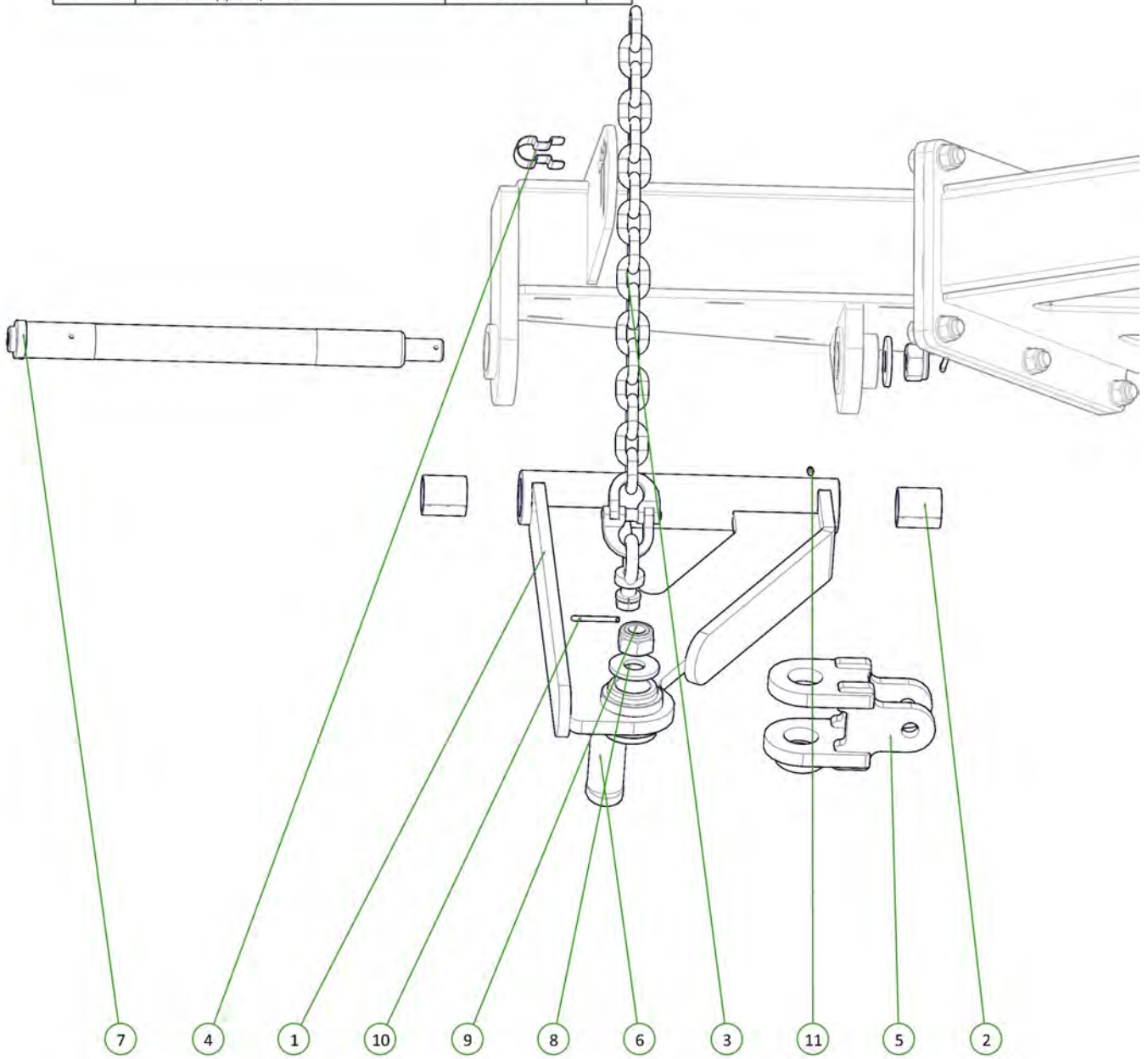
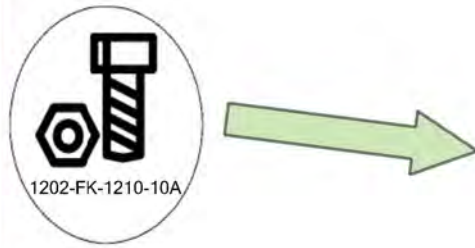


Item No.	Description	Number	Qty
1	Heavy Duty Chain Mount Plate	1210-20	1
2	50 ID x 60mm DX Bush	0113-MB5060DX	2
3	Height Adjusting Chain Assembly 17 Link	0801-20MCA-17	1
4	Height Adjustor Retaining Clip	0801-KE014	1
5	PCHB553 Heavy Duty Mount Joint	1210-57	1
6	Oval Head Swivel Mount Pivot Pin	1202-15	1
7	50mm Pivot Pin Retaining Washer	1200-60	2
8	Nyloc Nut M30	0221-NYL30	2
9	Cotter Pin M6 x 50mm	0261-PINC650	2
10	Oval Head 50mm Long Pivot Pin A	1202-08A	1
11	Washer High Tensile 2"	0232-HT2	1
12	Grease Nipple 1/4" UNF	0181-GN1-4	1

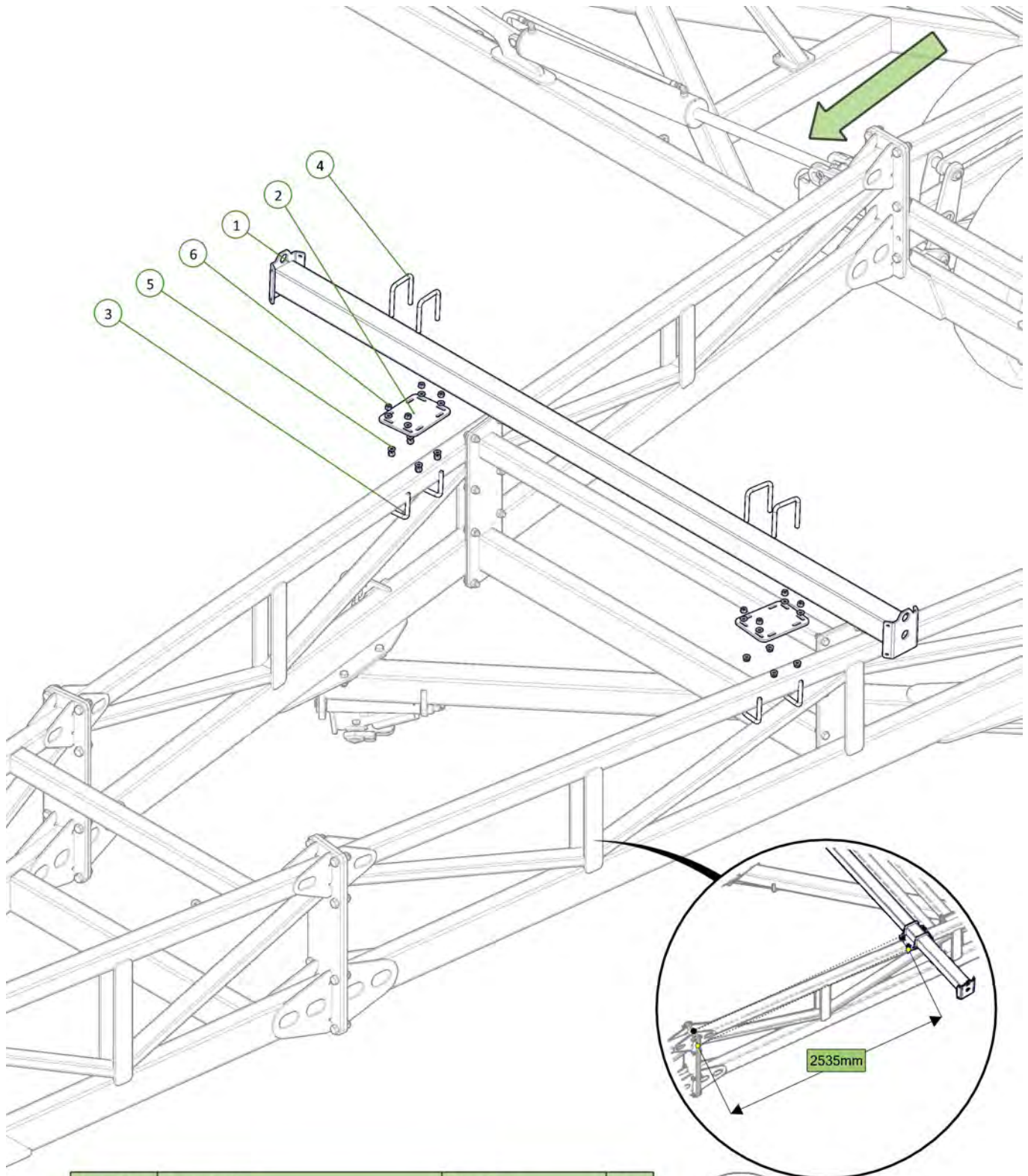
Note: Orientation of Clevis/ Pin



Item No.	Description	Number	Qty
1	Heavy Duty Chain Mount Plate	1210-20	1
2	50 ID x 60mm DX Bush	0113-MB5060DX	2
3	Height Adjusting Chain Assembly 17 Link	0801-20MCA-17	1
4	Height Adjustor Retaining Clip	0801-KE014	1
5	PCHB553 Heavy Duty Mount Joint	1210-57	1
6	Oval Head Swivel Mount Pivot Pin	1202-15	1
7	Oval Head 50mm Long Pivot Pin A	1202-08A	1
8	50mm Pivot Pin Retaining Washer	1200-60	2
9	Nyloc Nut M30	0221-NYL30	2
10	Cotter Pin M6 x 50mm	0261-PINC650	2
11	Grease Nipple 1/4" UNF	0181-GN1-4	1

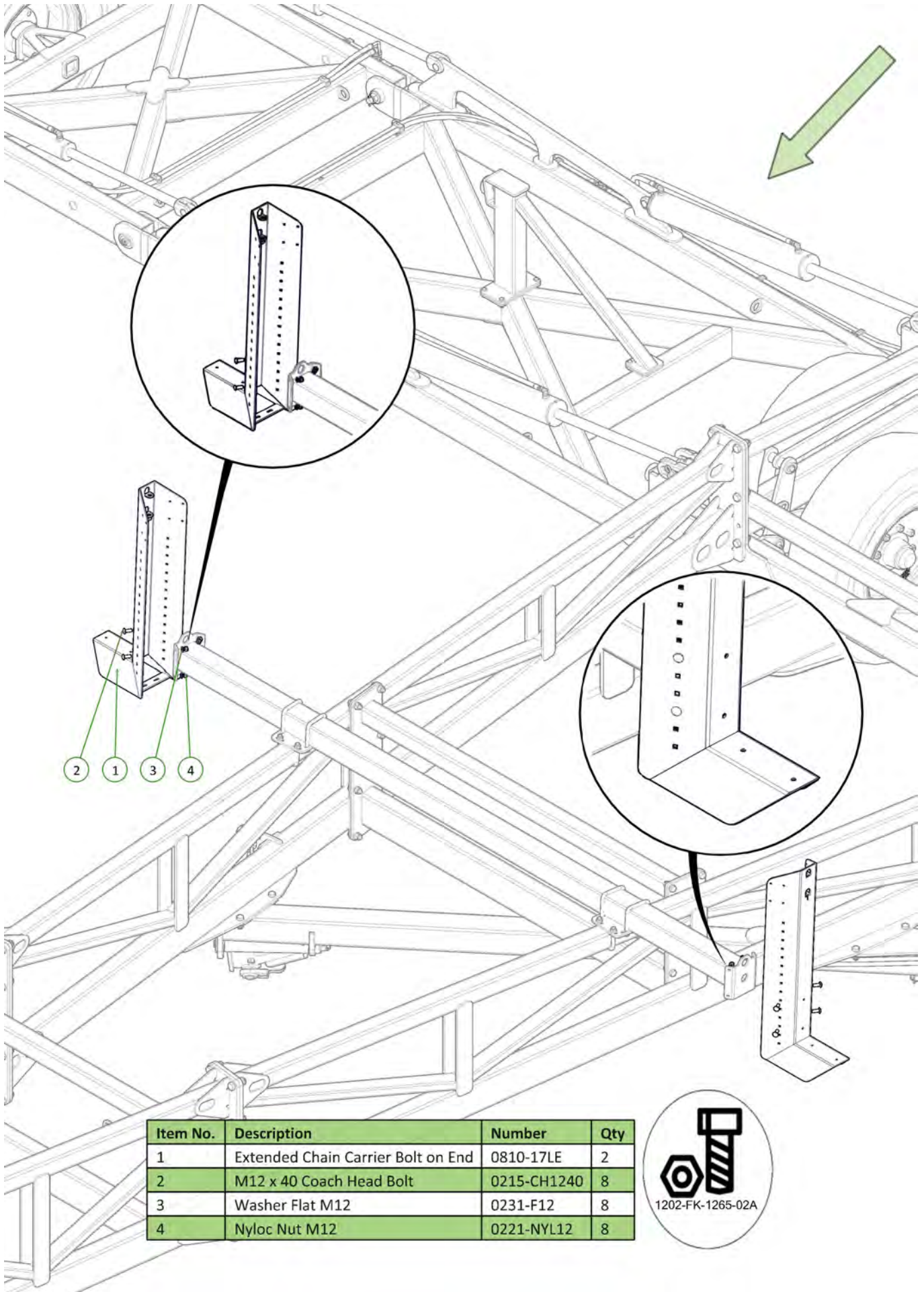


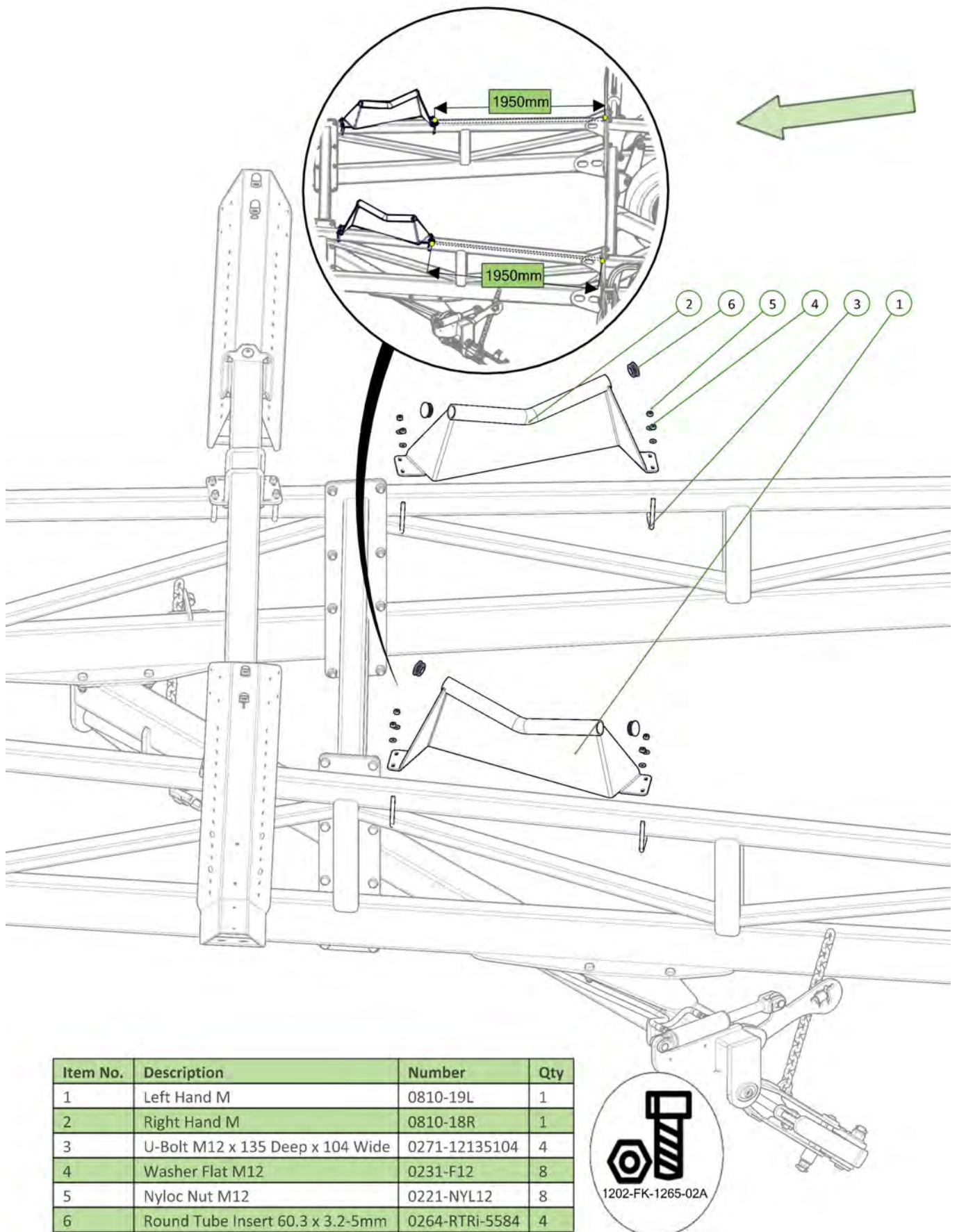
Note: Orientation of Clevis/ Pin



Item No.	Description	Number	Qty
1	60'/62HDX Chain Carrier Beam	0810-17-60-62HDX	1
2	Chain Carrier Mount Plate	0800-139.1	2
3	U-Bolt M16 x 135 Deep x 104 Wide	0271-16135104	4
4	U-Bolt M16 x 160 Deep x 127 Wide	0271-16160127	4
5	Washer Flat M16	0231-F16	16
6	Nyloc Nut M16	0221-NYL16	16



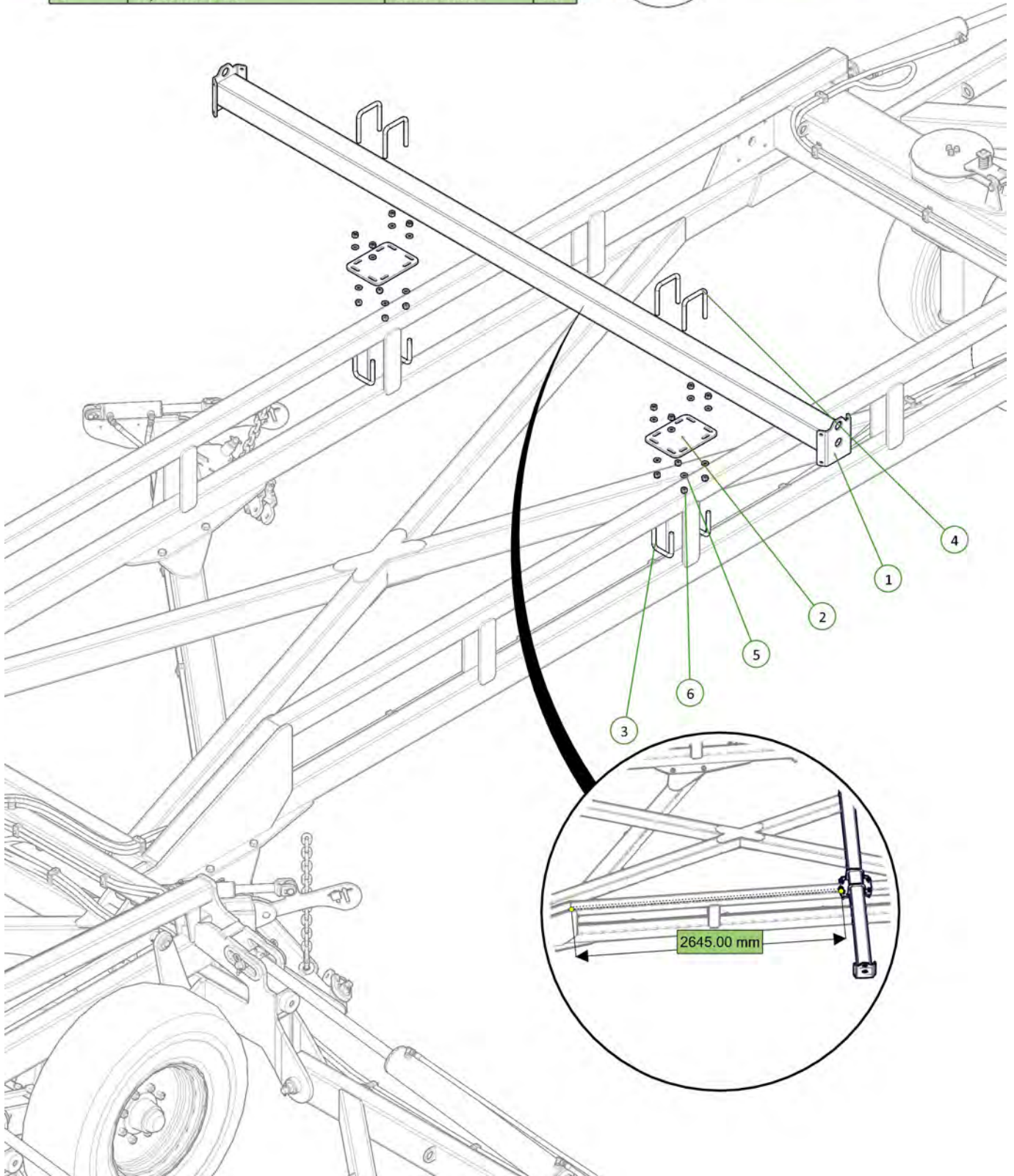
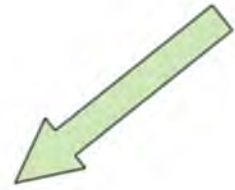




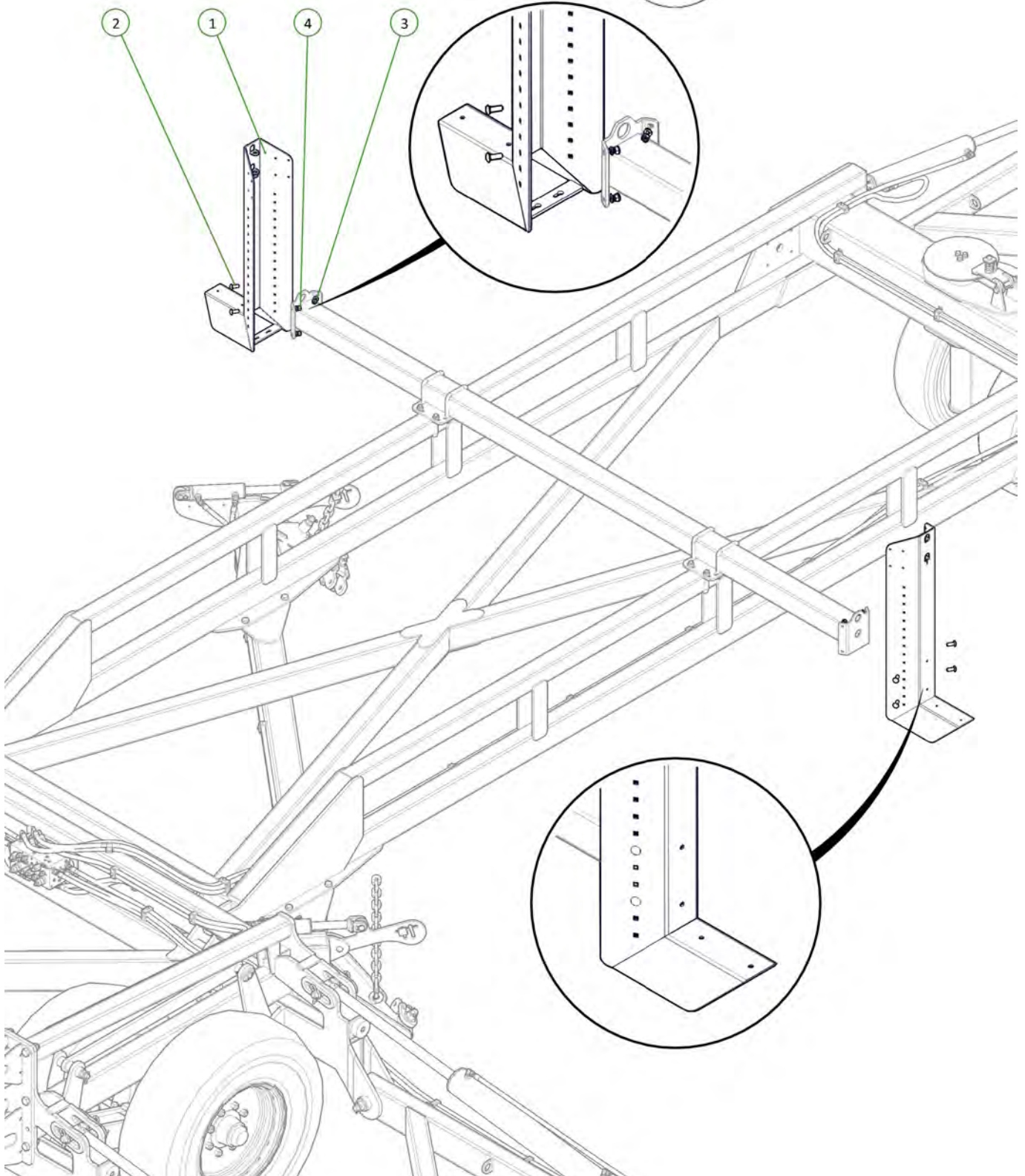
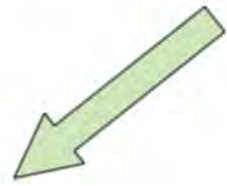
Item No.	Description	Number	Qty
1	Left Hand M	0810-19L	1
2	Right Hand M	0810-18R	1
3	U-Bolt M12 x 135 Deep x 104 Wide	0271-12135104	4
4	Washer Flat M12	0231-F12	8
5	Nyloc Nut M12	0221-NYL12	8
6	Round Tube Insert 60.3 x 3.2-5mm	0264-RTRi-5584	4



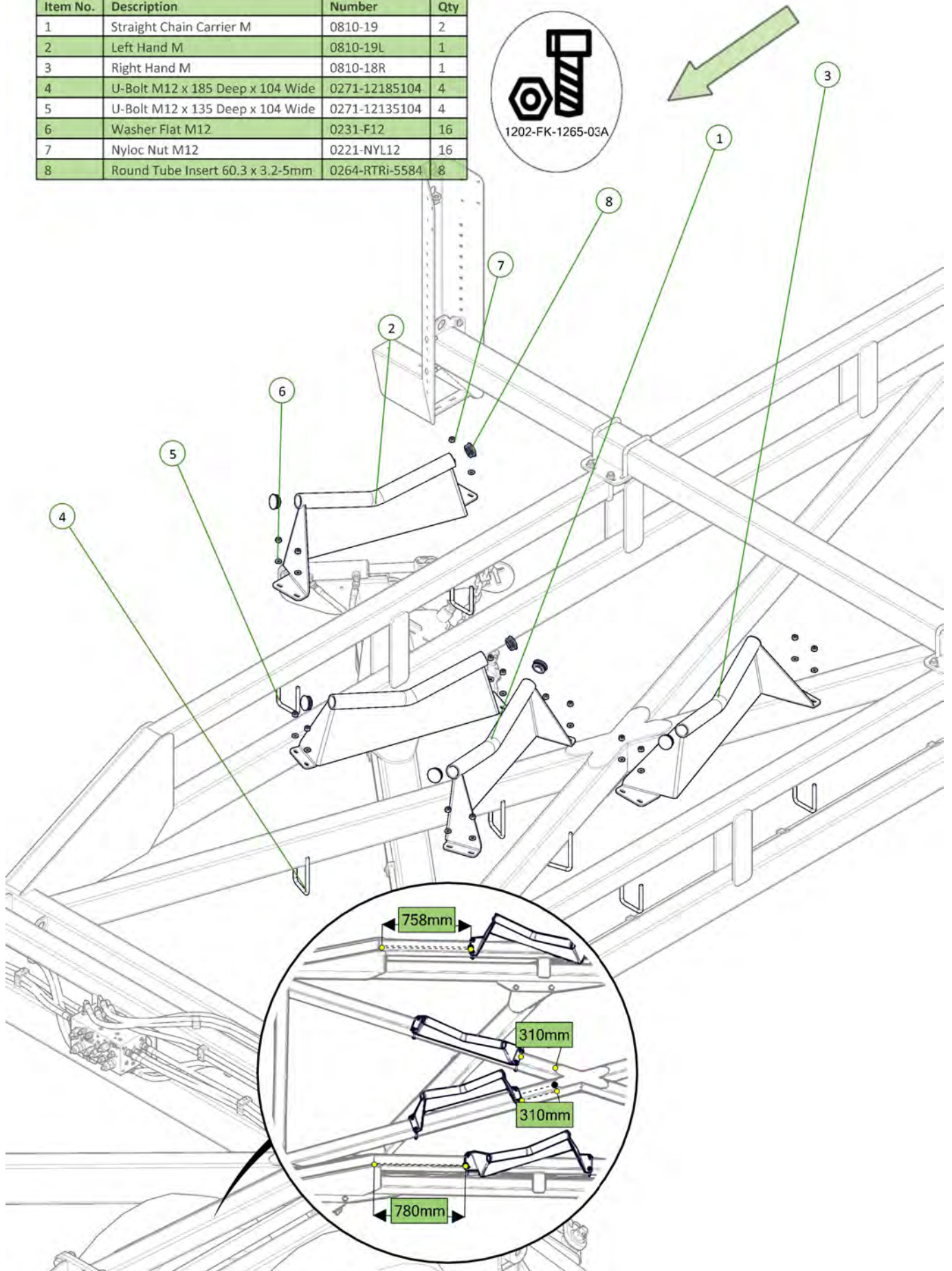
Item No.	Description	Number	Qty
1	60'/62HDX Chain Carrier Beam	0810-17-60-62HDX	1
2	Chain Carrier Mount Plate	0800-139.1	2
3	U-Bolt M16 x 135 Deep x 104 Wide	0271-16135104	4
4	U-Bolt M16 x 160 Deep x 127 Wide	0271-16160127	4
5	Washer Flat M16	0231-F16	16
6	Nyloc Nut M16	0221-NYL16	16



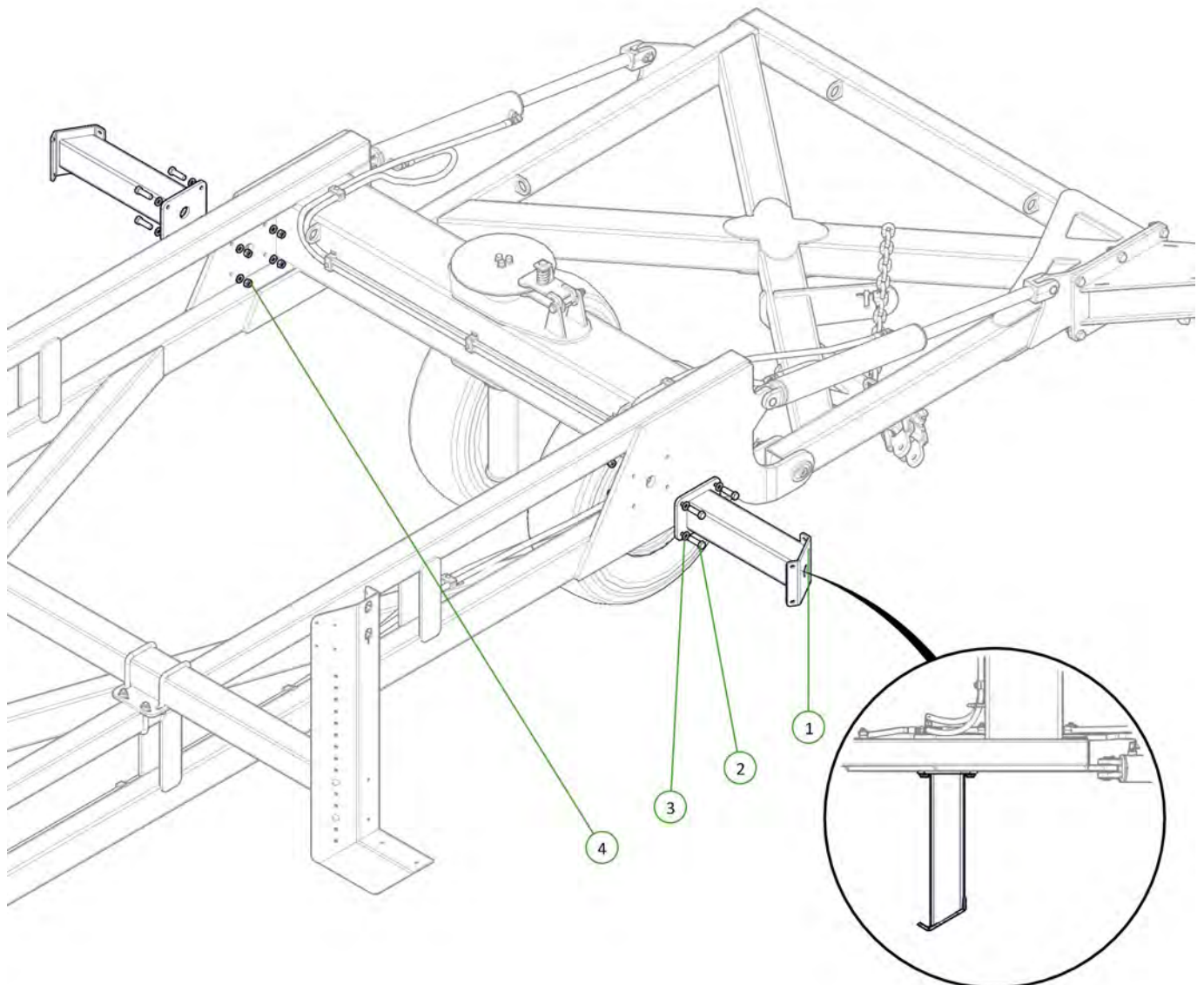
Item No.	Description	Number	Qty
1	Extended Chain Carrier Bolt on End	0810-17LE	2
2	M12 x 40 Coach Head Bolt	0215-CH1240	8
3	Washer Flat M12	0231-F12	8
4	Nyloc Nut M12	0221-NYL12	8



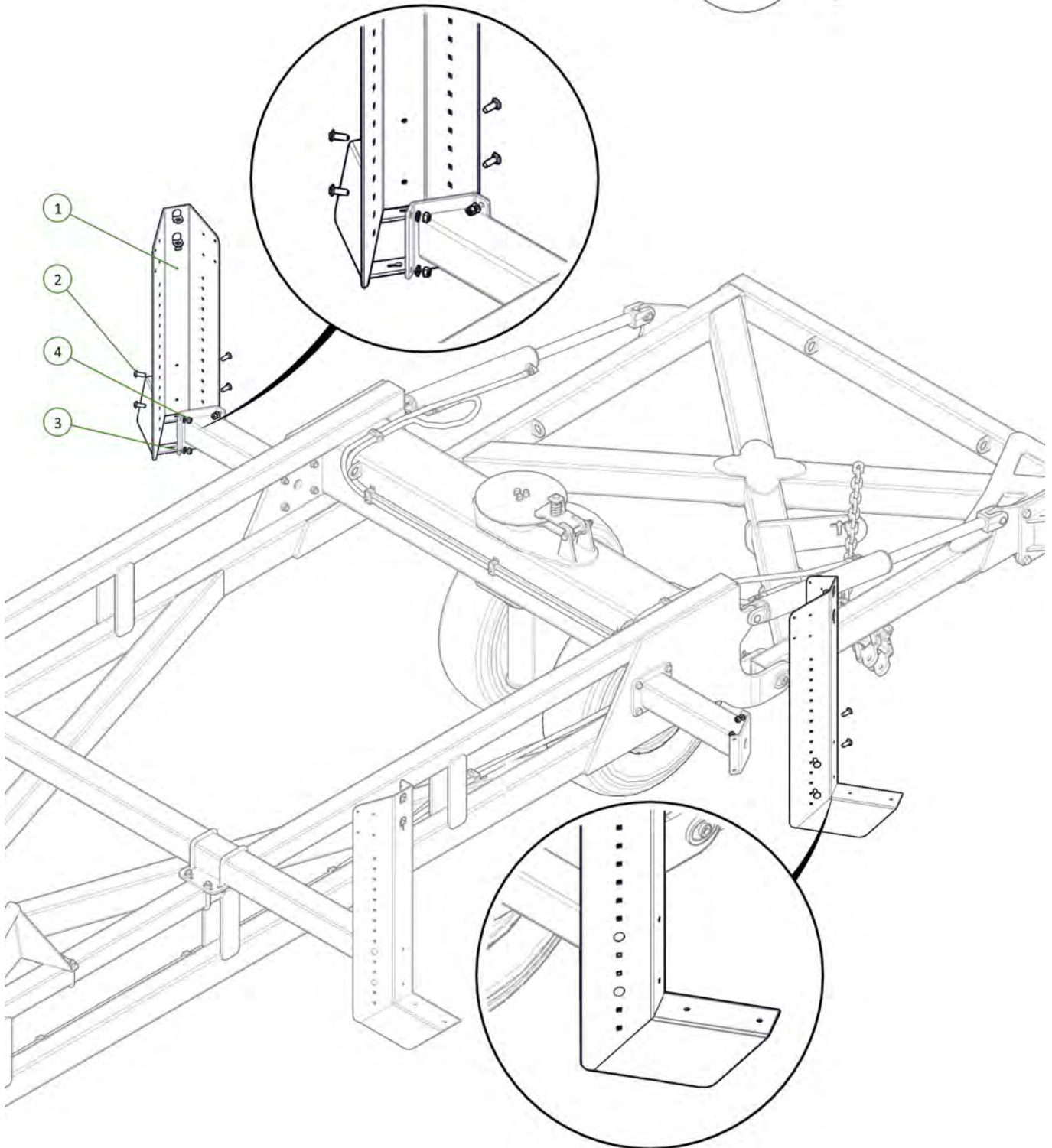
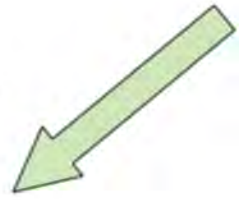
Item No.	Description	Number	Qty
1	Straight Chain Carrier M	0810-19	2
2	Left Hand M	0810-19L	1
3	Right Hand M	0810-18R	1
4	U-Bolt M12 x 185 Deep x 104 Wide	0271-12185104	4
5	U-Bolt M12 x 135 Deep x 104 Wide	0271-12135104	4
6	Washer Flat M12	0231-F12	16
7	Nyloc Nut M12	0221-NYL12	16
8	Round Tube Insert 60.3 x 3.2-5mm	0264-RTRi-5584	8



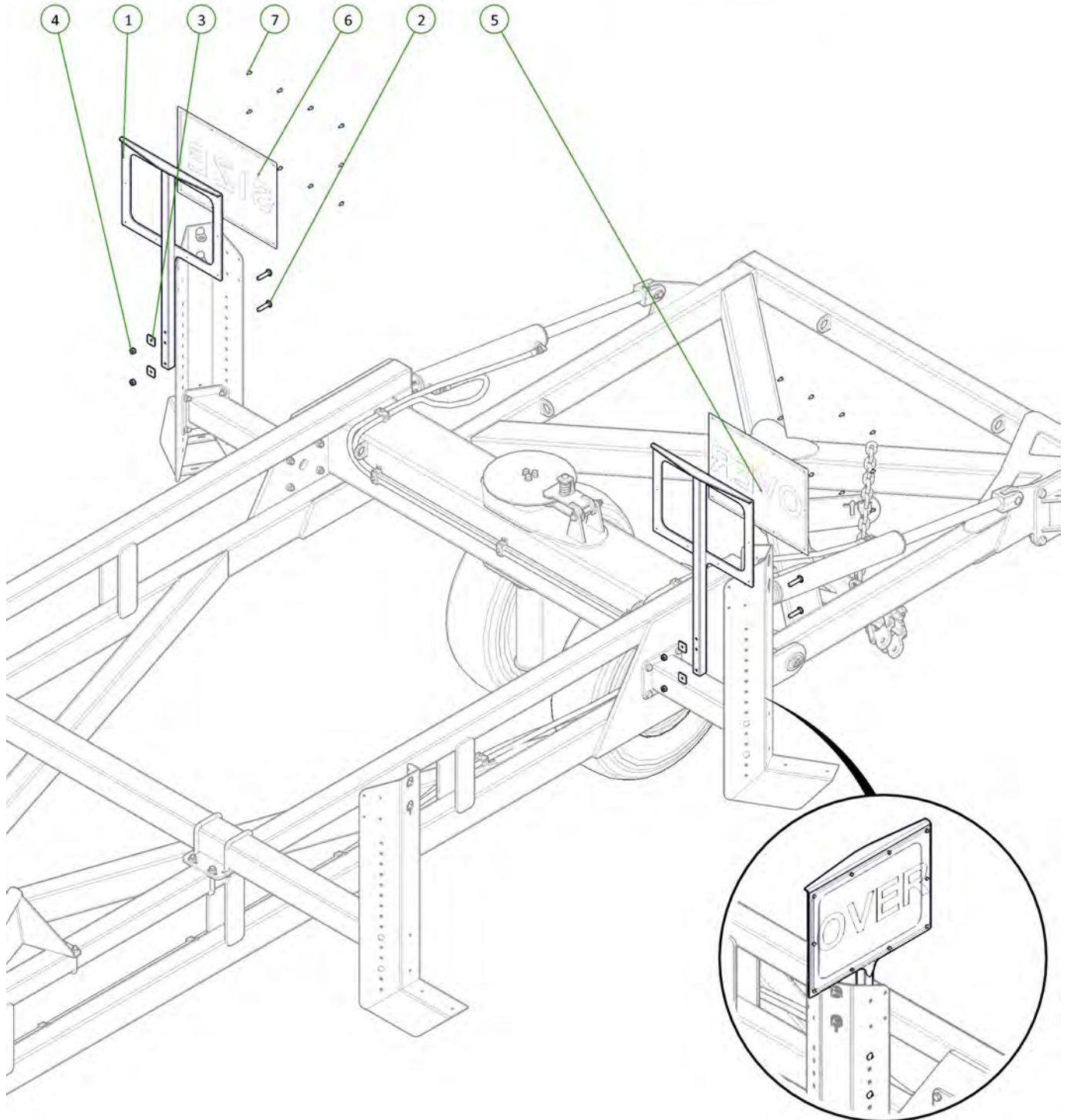
Item No.	Description	Number	Qty
1	Outrigger	0810-109	2
2	M16 x 60 Class 8.8 ZP Bolt	0211-1660	8
3	Washer Flat M16	0231-F16	16
4	Nyloc Nut M16	0221-NYL16	8



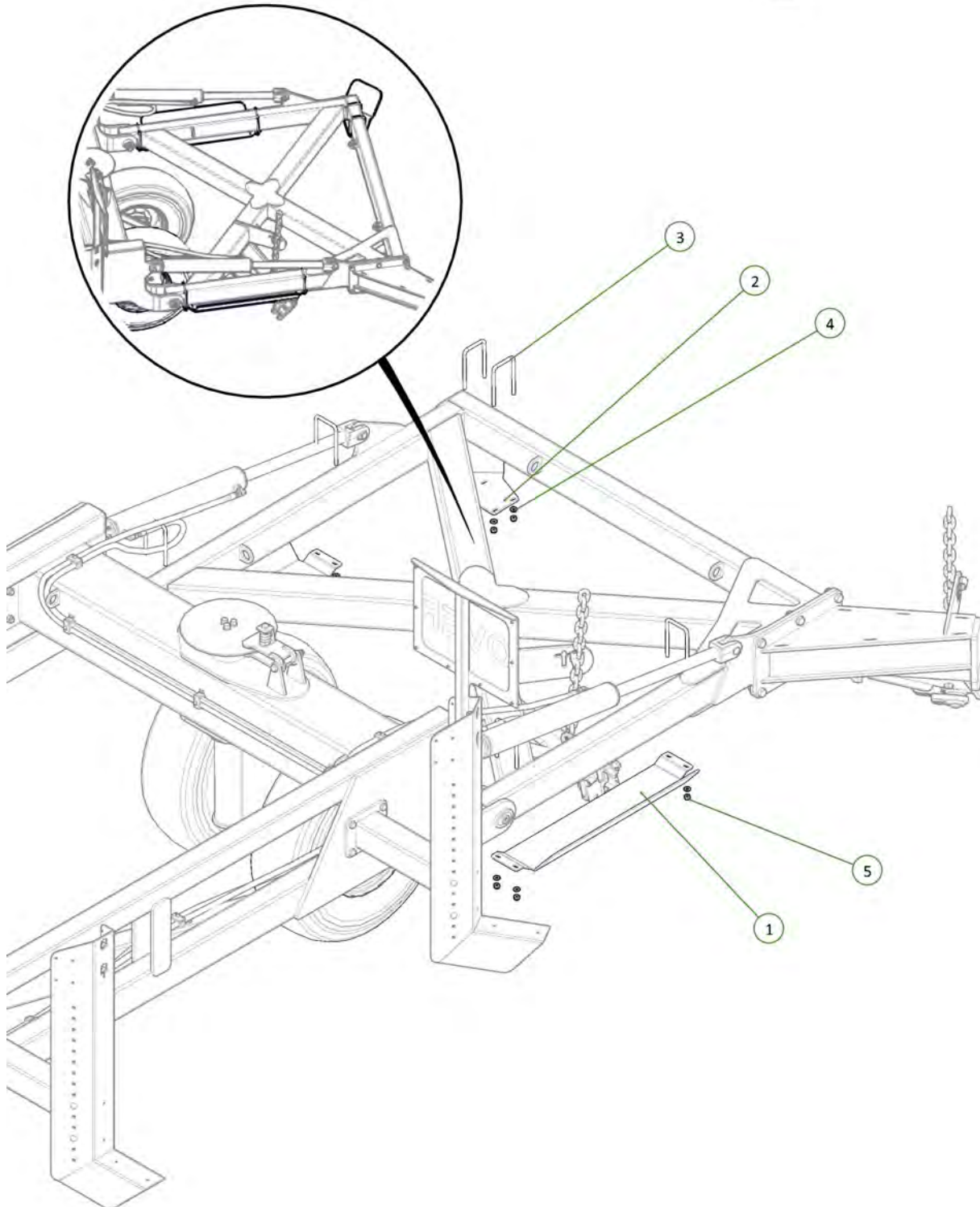
Item No.	Description	Number	Qty
1	Extended Chain Carrier Bolt on End	0810-17LE	2
2	M12 x 40 Coach Head Bolt	0215-CH1240	8
3	Washer Flat M12	0231-F12	8
4	Nyloc Nut M12	0221-NYL12	8



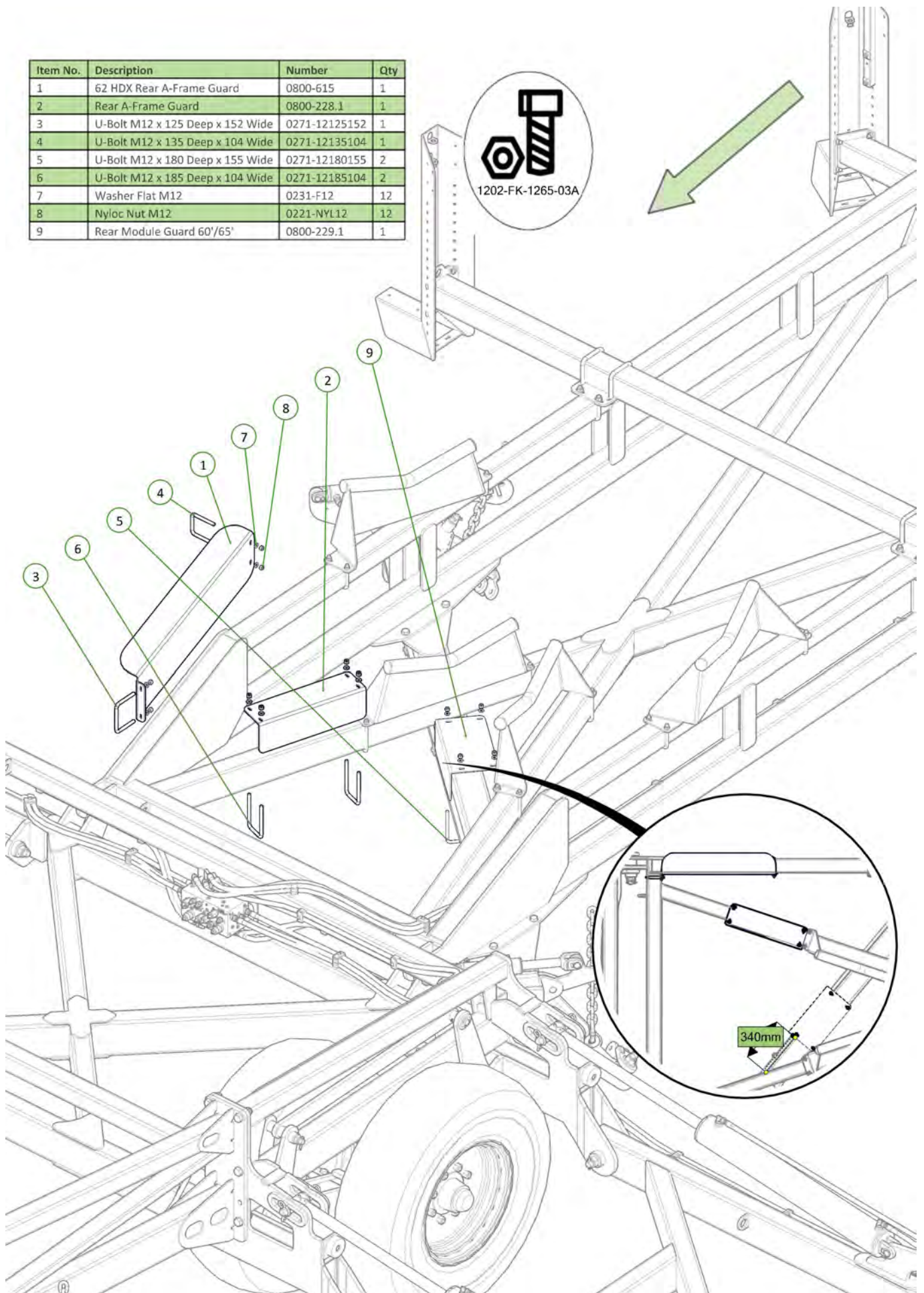
Item No.	Description	Number	Qty
1	AU Oversize Sign	0810-46	2
2	M12 x 65 Coach Head Bolt	0215-CH1265	4
3	Washer Square M12 x 40 x 3	0231-SQ12403	4
4	Nyloc Nut M12	0221-NYL12	4
5	Oversize Sign Left Hand	0801-SIGNOSL	1
6	Oversize Sign Right Hand	0801-SIGNOSR	1
7	TEK Screw 10g 16 x 16	0241-TEK10-1616	20

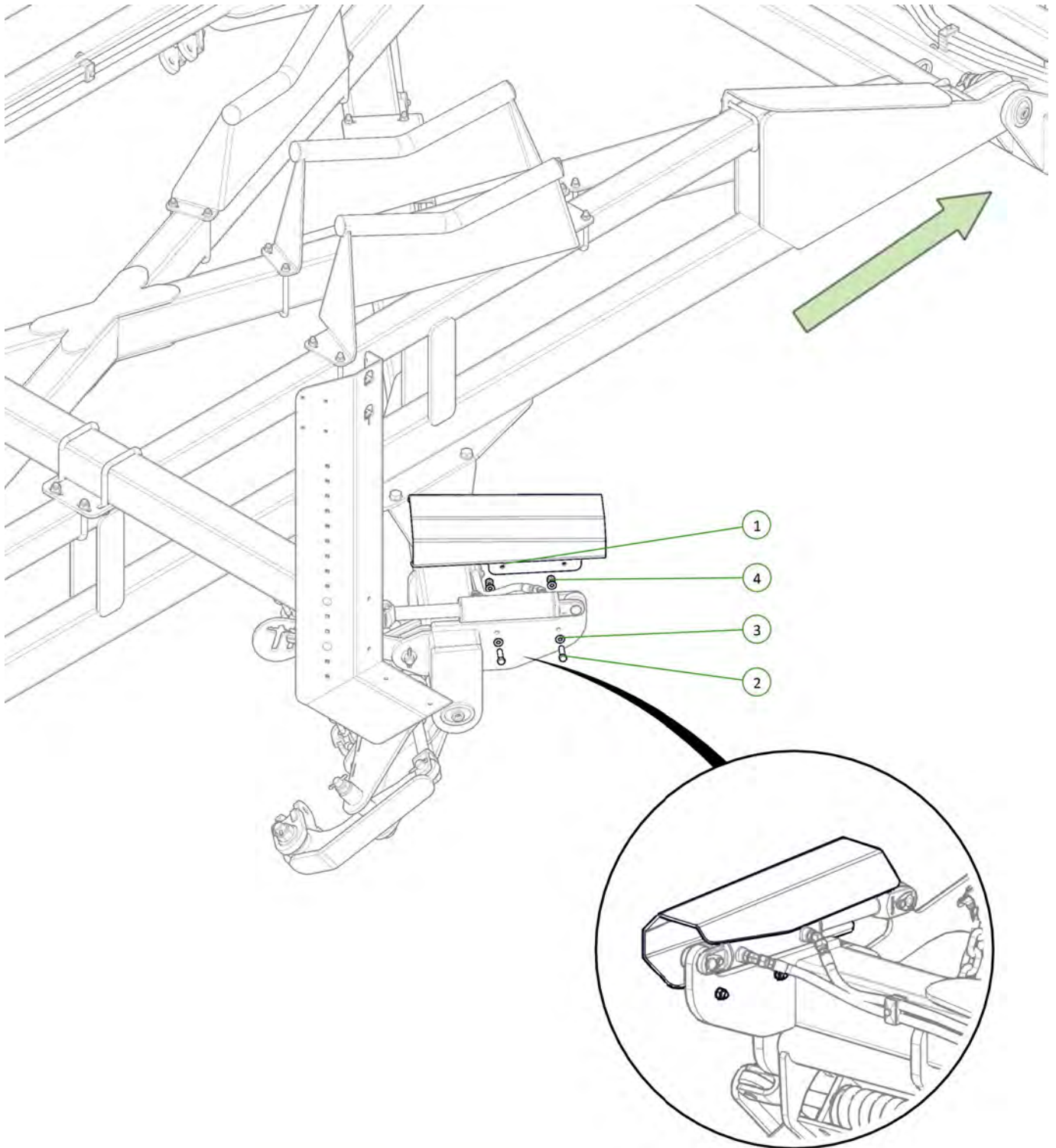


Item No.	Description	Number	Qty
1	Rear Tail Guard	0800-235	2
2	Angled Chain Gaurd	0800-498	1
3	U-Bolt M12 x 185 Deep x 104 Wide	0271-12185104	6
4	Washer Flat M12	0231-F12	12
5	Nyloc Nut M12	0221-NYL12	12



Item No.	Description	Number	Qty
1	62 HDX Rear A-Frame Guard	0800-615	1
2	Rear A-Frame Guard	0800-228.1	1
3	U-Bolt M12 x 125 Deep x 152 Wide	0271-12125152	1
4	U-Bolt M12 x 135 Deep x 104 Wide	0271-12135104	1
5	U-Bolt M12 x 180 Deep x 155 Wide	0271-12180155	2
6	U-Bolt M12 x 185 Deep x 104 Wide	0271-12185104	2
7	Washer Flat M12	0231-F12	12
8	Nyloc Nut M12	0221-NYL12	12
9	Rear Module Guard 60'/65'	0800-229.1	1

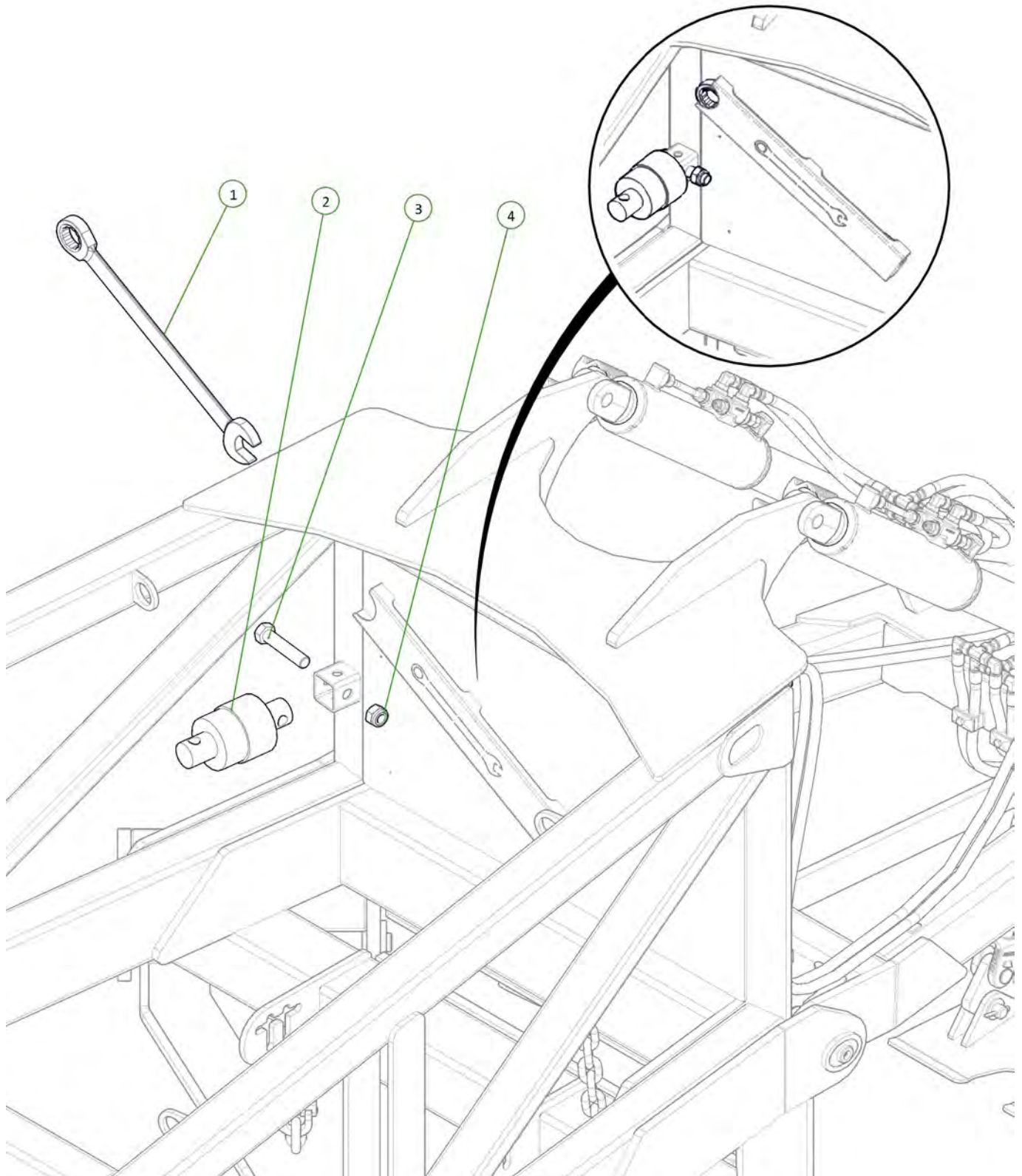
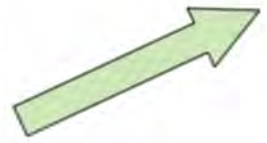


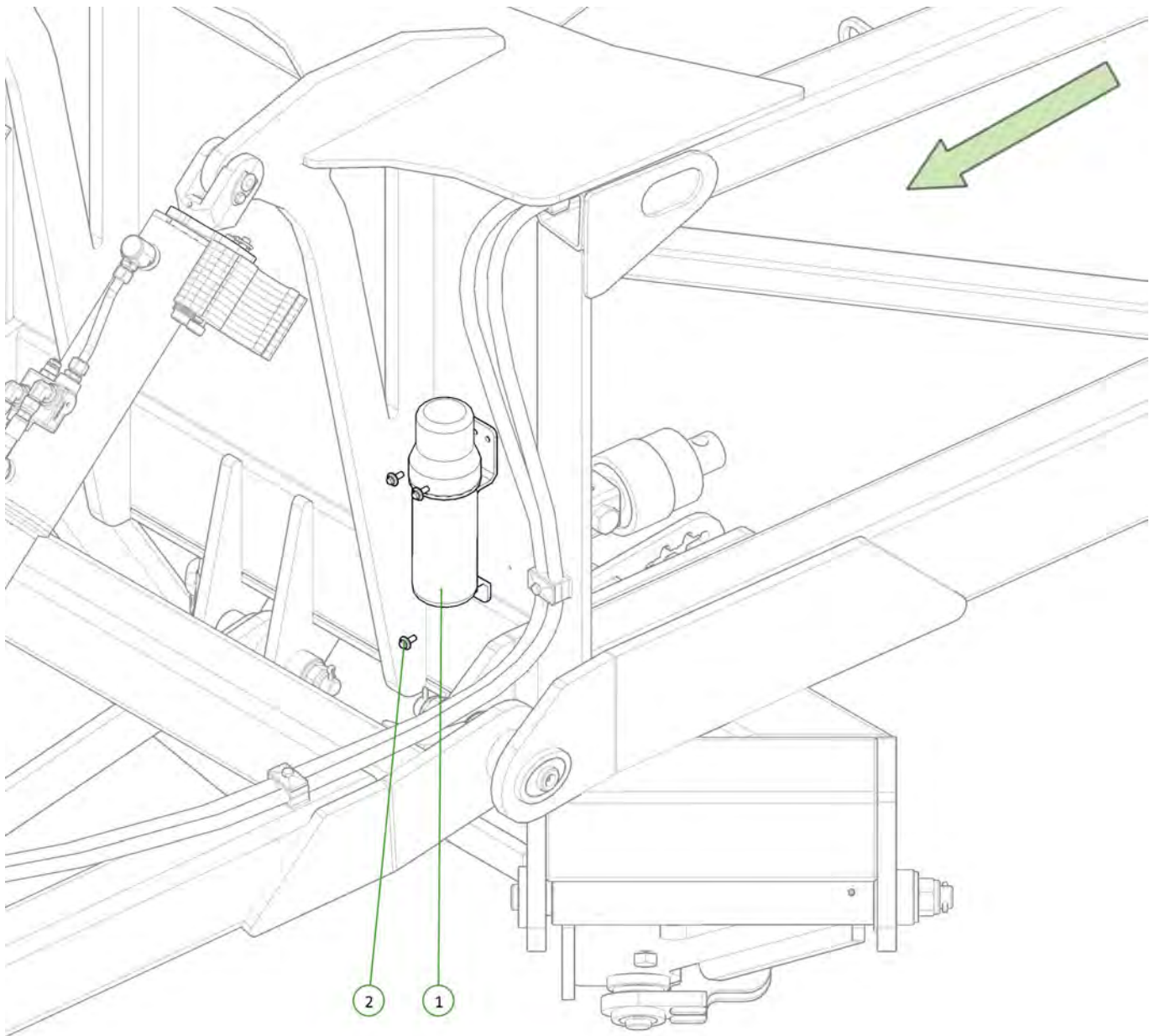


Item No.	Description	Number	Qty
1	Module Cylinder Guard	0800-167.3	1
2	M12 x 50 Class 8.8 ZP Bolt	0211-1250	2
3	Washer Flat M12	0231-F12	4
4	Nyloc Nut M12	0221-NYL12	2



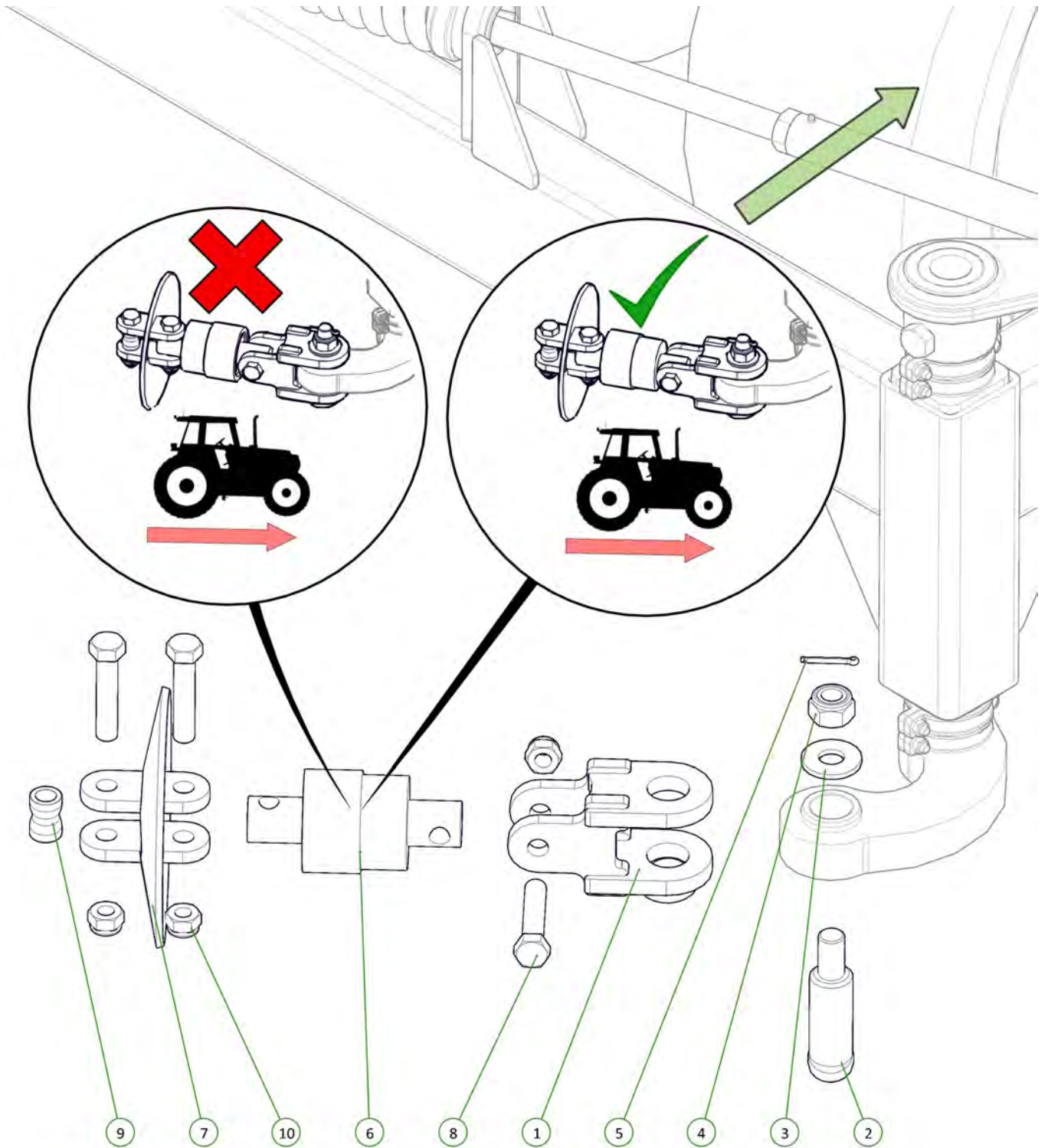
Item No.	Description	Number	Qty
1	Ratcheting Gear Wrench 1 3/4"	0802-GW1 3-4	1
2	24mm Bolt Swivel Unit	0802-PCHB553	1
3	M24 x 120 Class 10.9 ZP Short Thread Bolt	0211-24120ST	1
4	Nyloc Nut M24	0221-NYL24	1





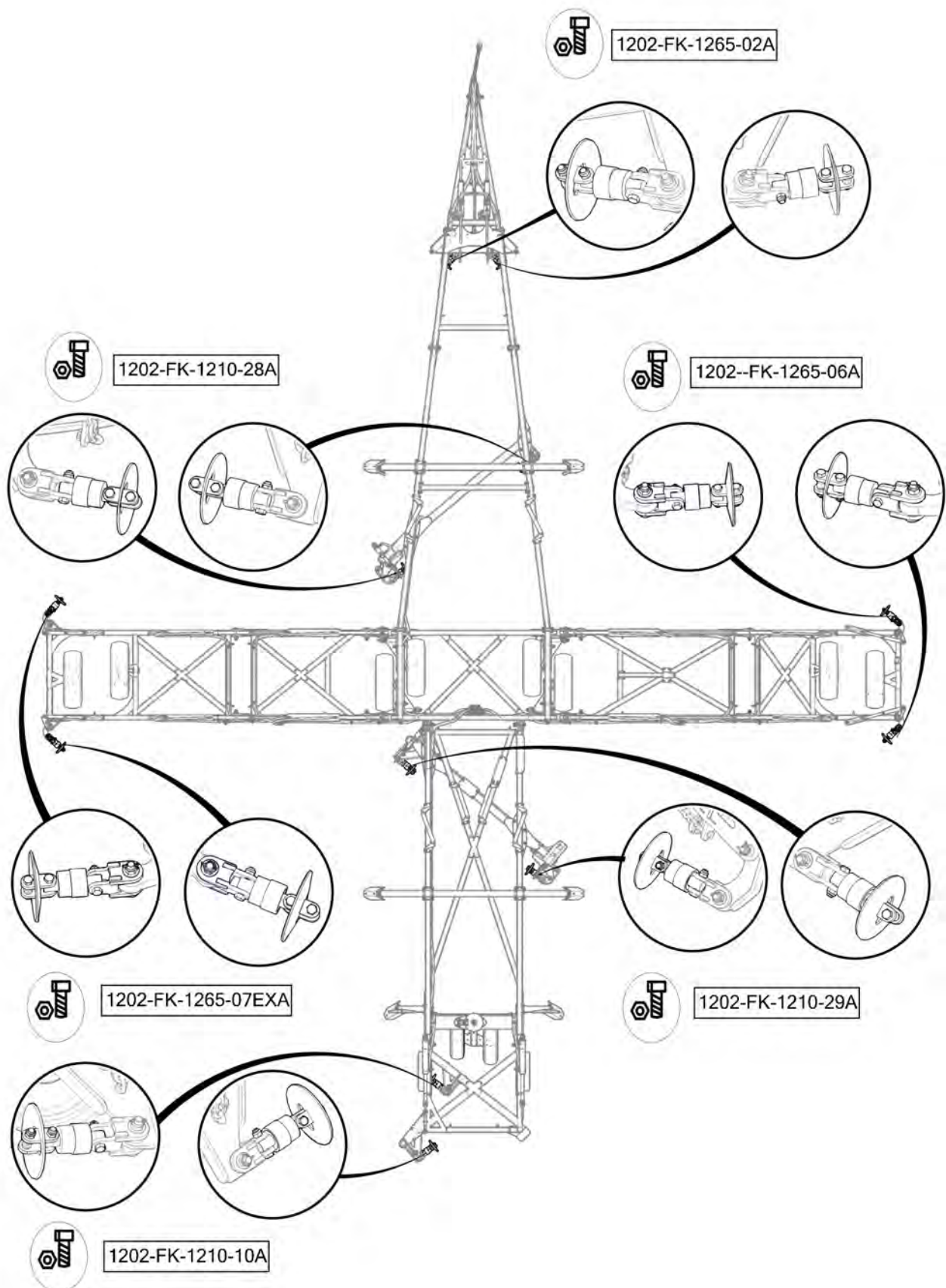
Item No.	Description	Number	Qty
1	Operator Manual Cannister	0801-OMC-1	1
2	M6 x 20mm Trilobe Screw	0211-M620MZPHTF	3





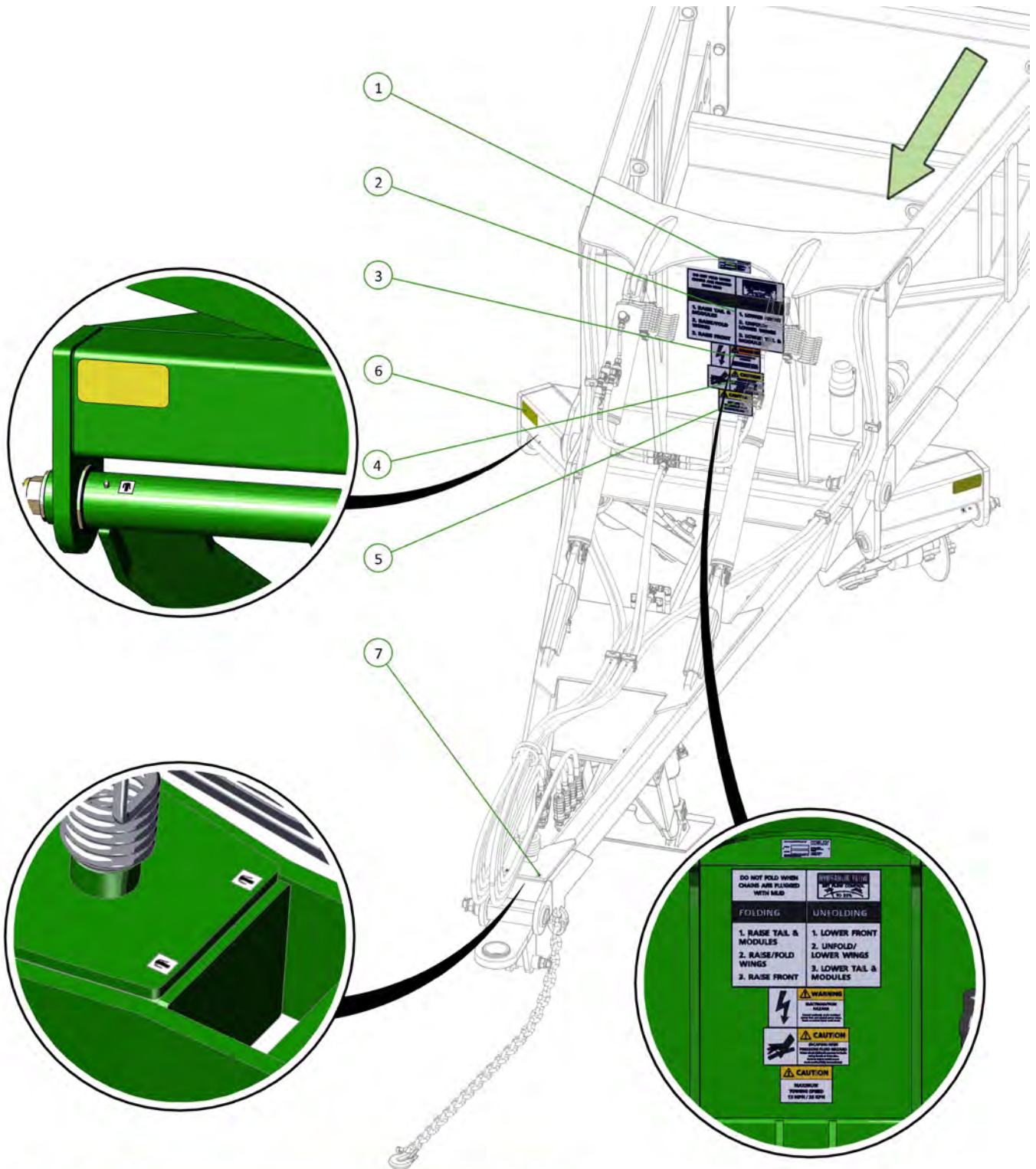
Item No.	Description	Number	Qty
1	PCHB553 Heavy Duty Mount Joint	1210-57	1
2	Oval Head Swivel Mount Pivot Pin	1202-15	1
3	50mm Pivot Pin Retaining Washer	1200-60	1
4	Nyloc Nut M30	0221-NYL30	1
5	Cotter Pin M6 x 50mm	0261-PINC650	1
6	24mm Bolt Swivel Unit	0802-PCHB553	1
7	Disc Chain Tie Plate Link 24mm	0802-DCTP-24	1
8	M24 x 120 Class 10.9 ZP Short Thread Bolt	0211-24120ST	3
9	Disc Chain Spacer	0801-253755	1
10	Nyloc Nut M24	0221-NYL24	3





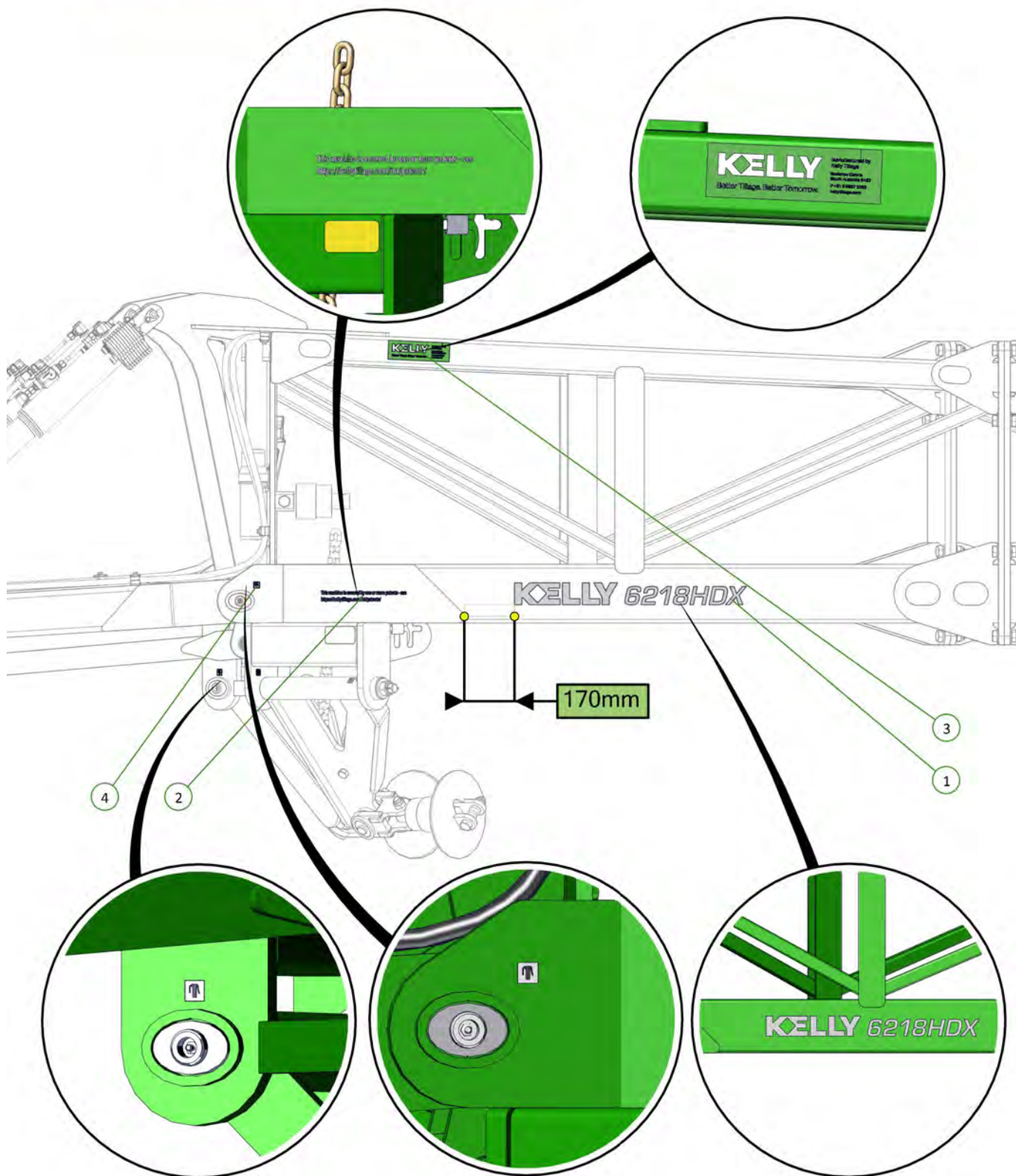


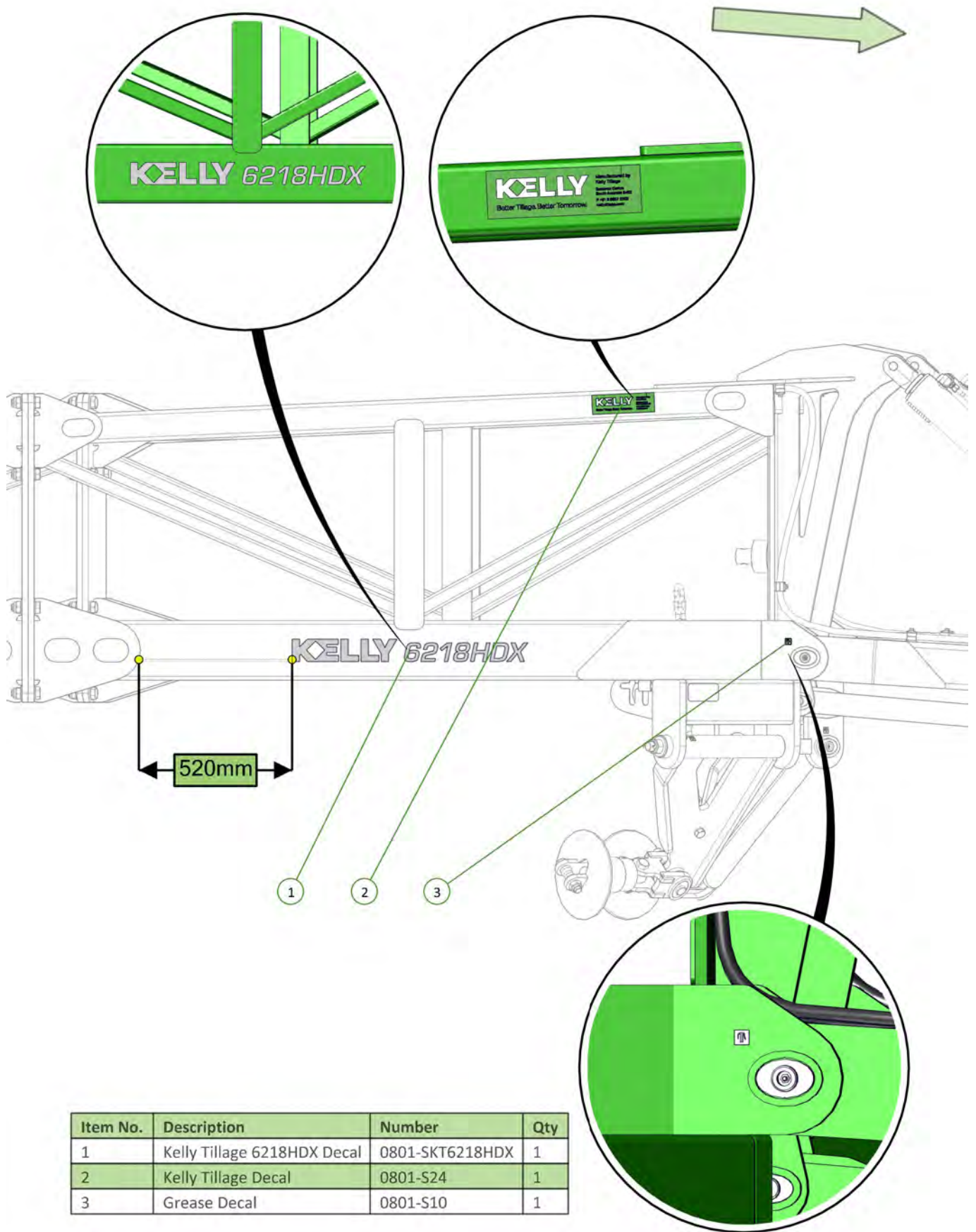
Section 3 - Decal Application



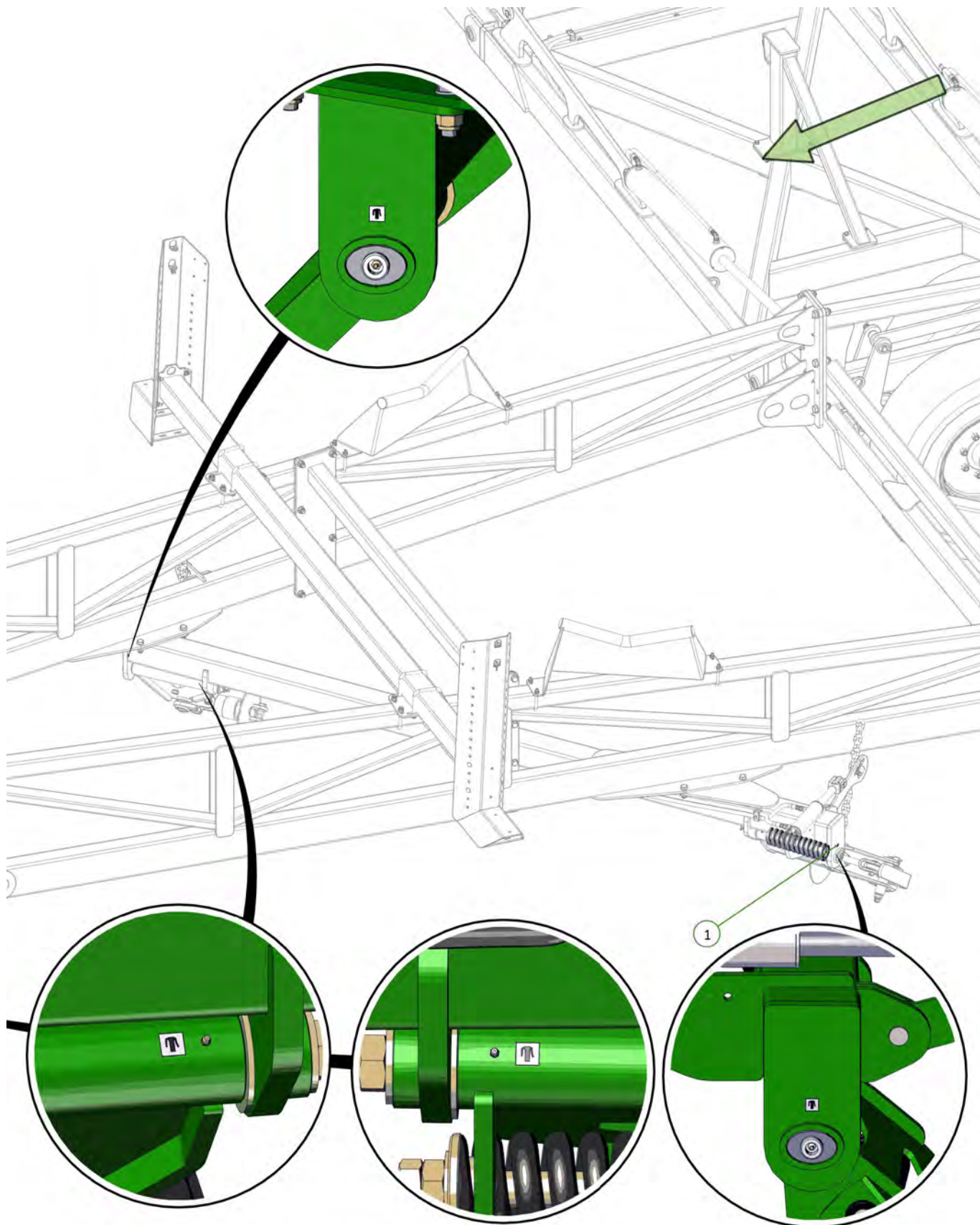
Item No.	Description	Number	Qty
1	Kelly Tillage Data Plate	0801-SKTDP	1
2	Fold-Unfold Decal 400 x 330mm	0801-S1	1
3	Electrocution Hazard Decal	0801-S6	1
4	Hydraulic Pressure Caution Decal	0801-S4	1
5	Towing Speed Decal	0801-S5	1
6	Yellow Reflective Decal	0801-SYRF	2
7	Grease Decal	0801-S10	4

Item No.	Description	Number	Qty
1	Kelly Tillage 6218HDX Decal	0801-SKT6218HDX	1
2	Universal Patent Decal	0801-S26	1
3	Kelly Tillage Decal	0801-S24	1
4	Grease Decal	0801-S10	3

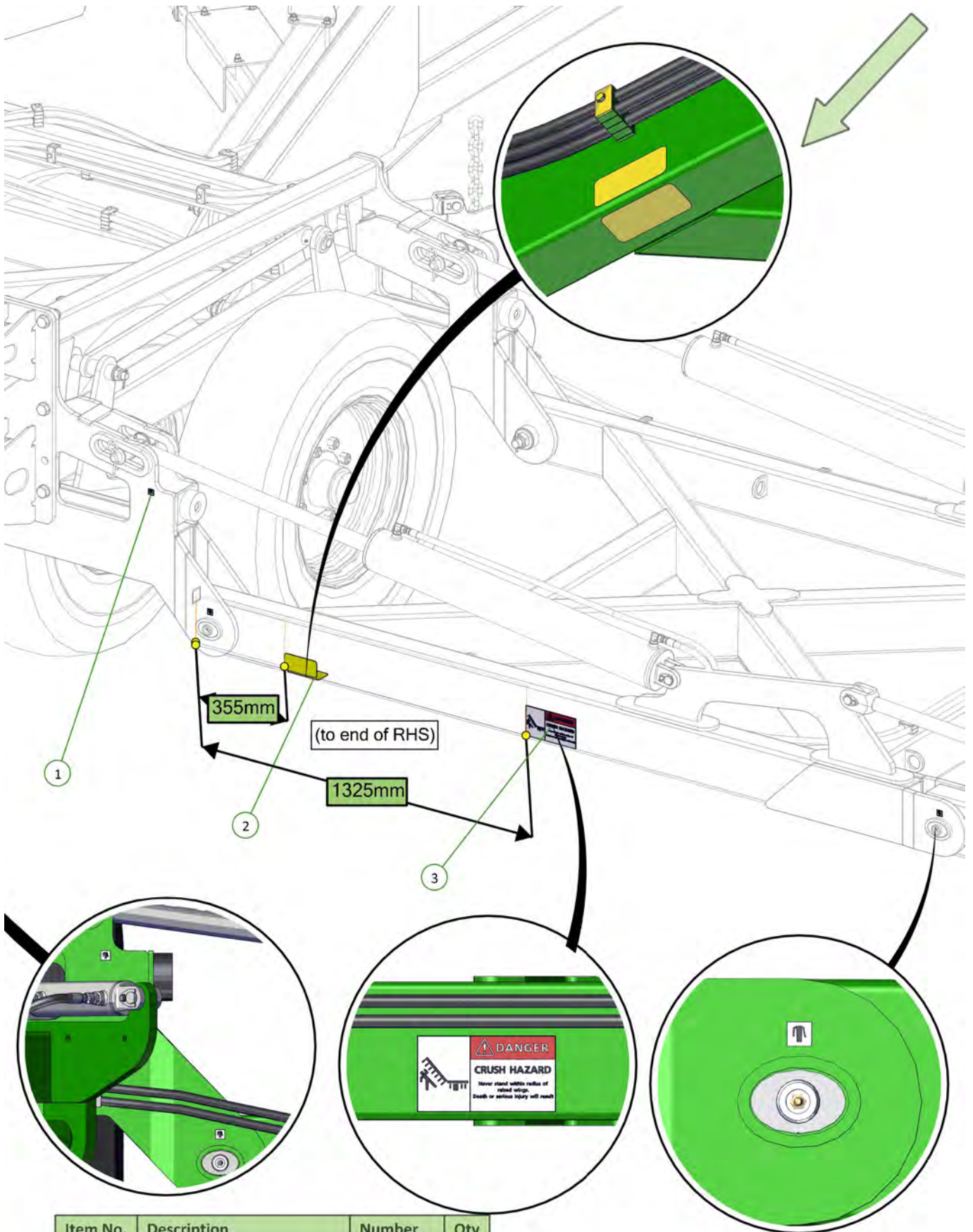




Item No.	Description	Number	Qty
1	Kelly Tillage 6218HDX Decal	0801-SKT6218HDX	1
2	Kelly Tillage Decal	0801-S24	1
3	Grease Decal	0801-S10	1

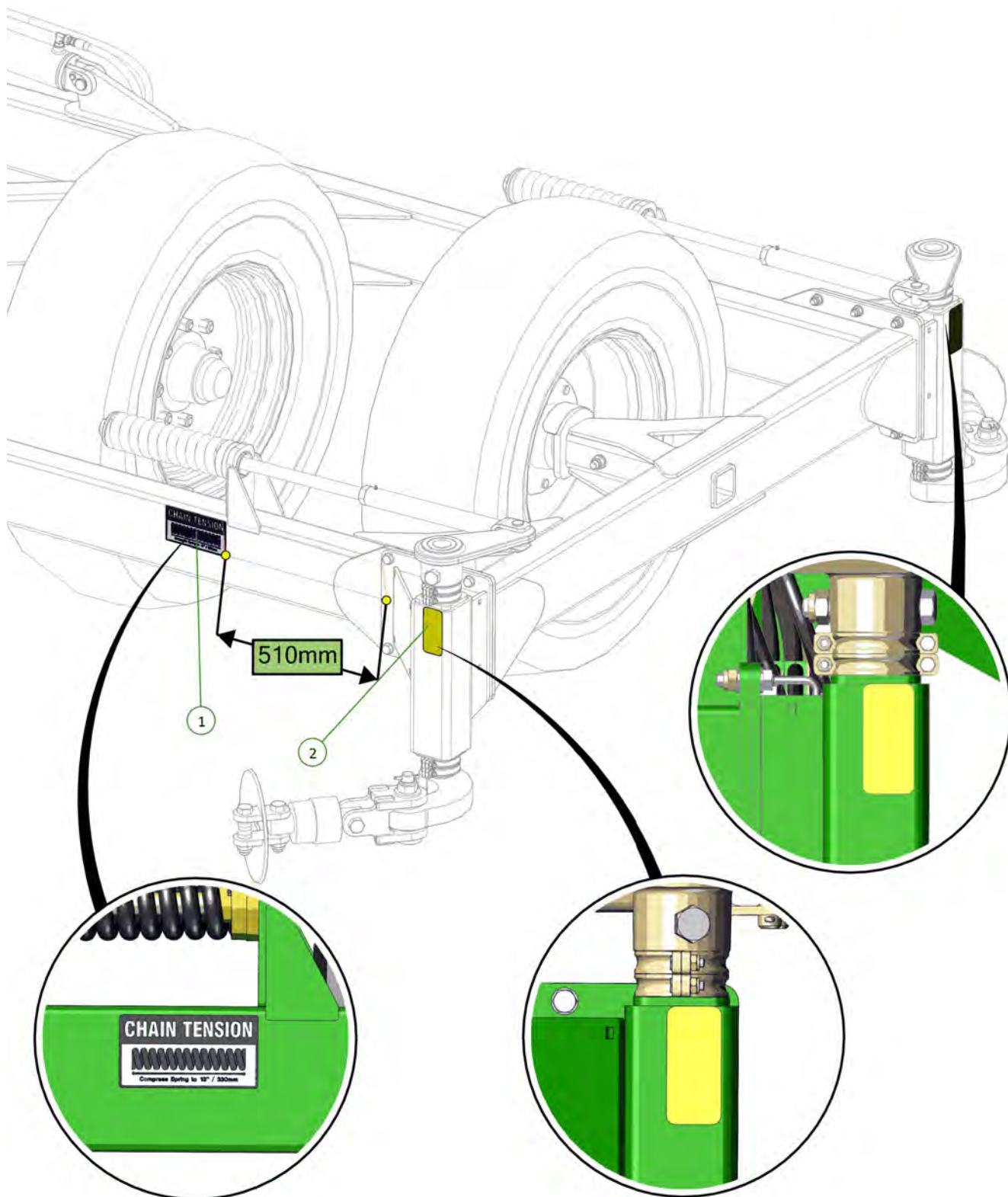


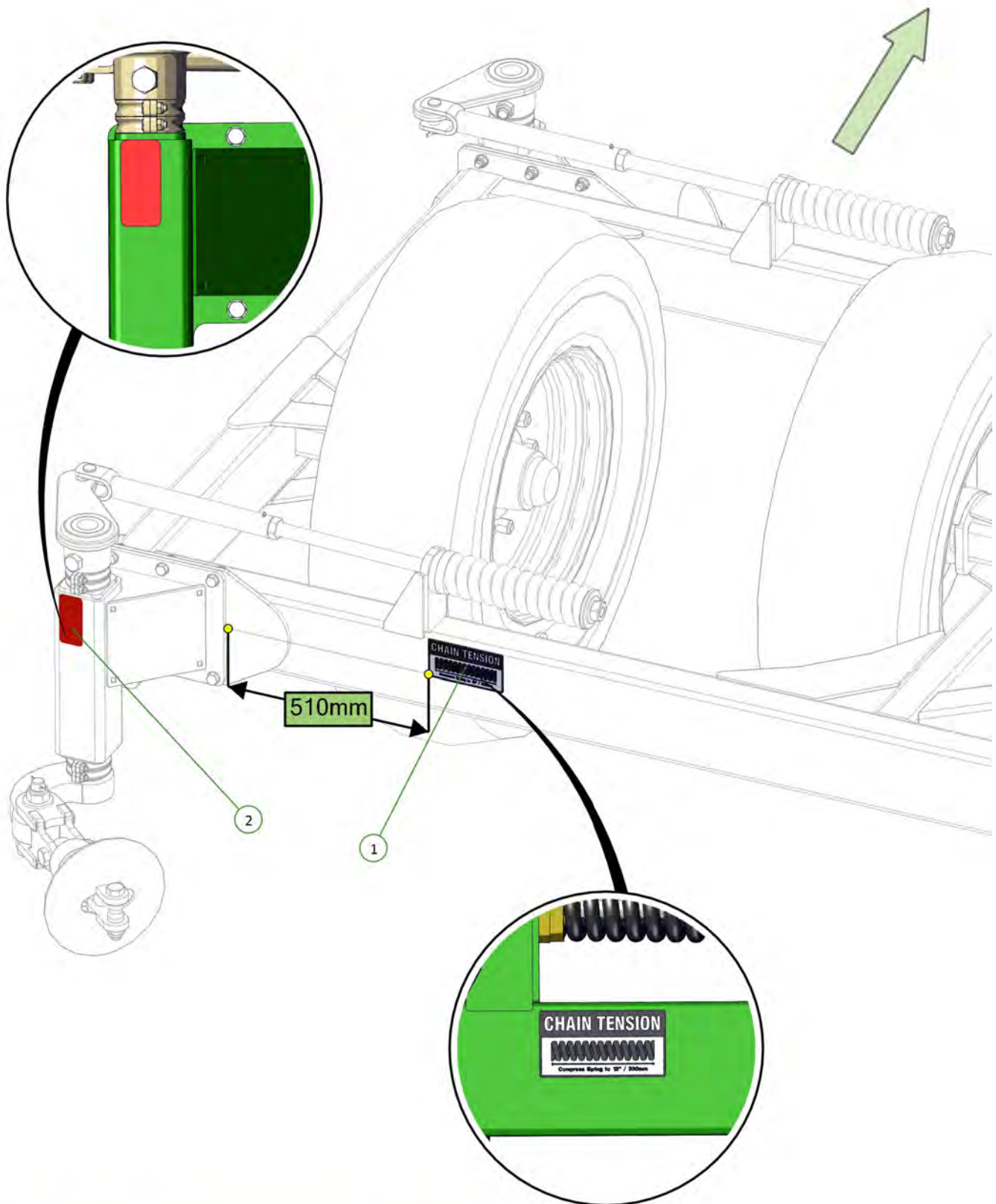
Item No.	Description	Number	Qty
1	Grease Decal	0801-S10	4



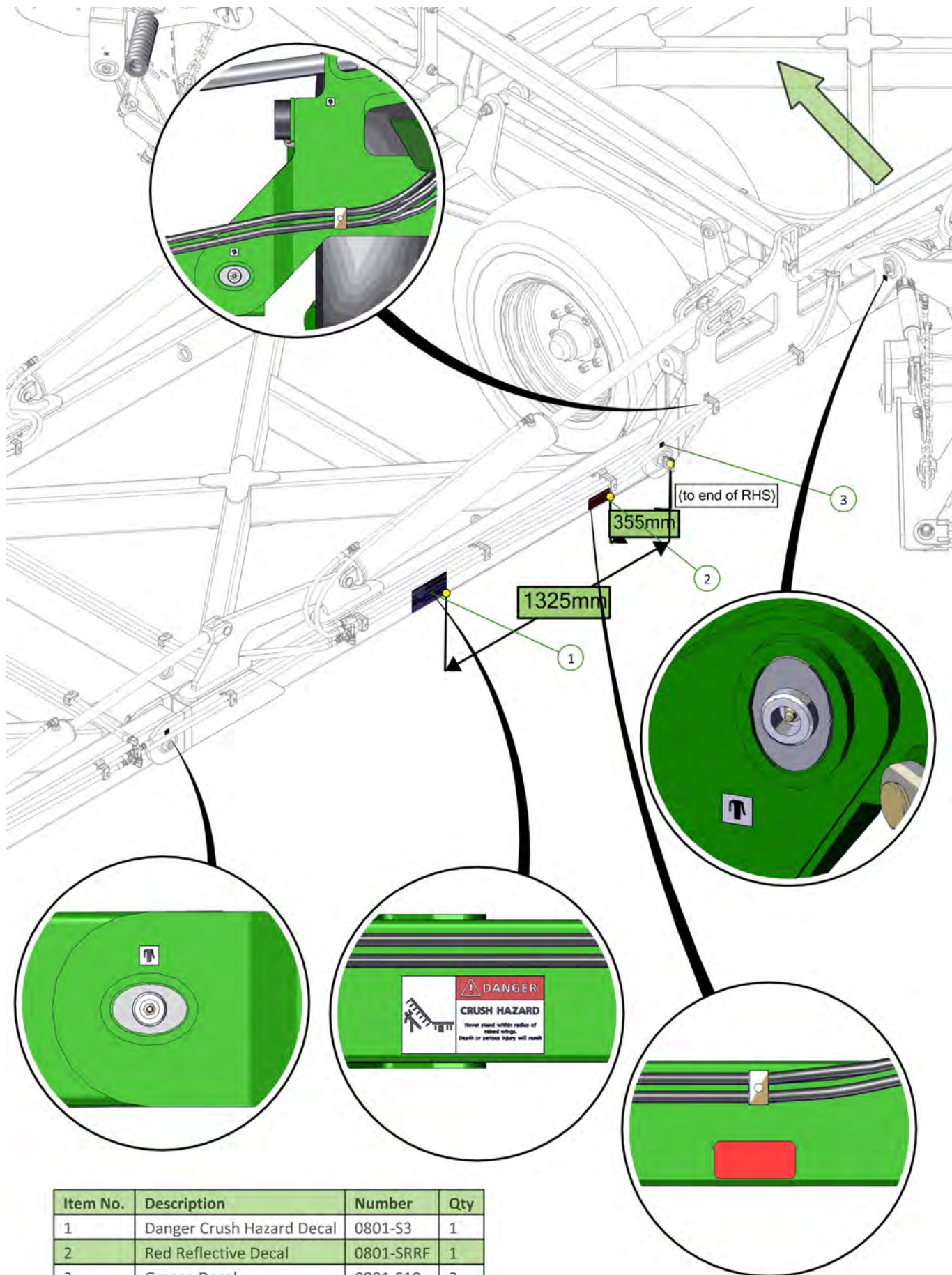
Item No.	Description	Number	Qty
1	Grease Decal	0801-S10	3
2	Yellow Reflective Decal	0801-SYRF	2
3	Danger Crush Hazard Decal	0801-S3	1

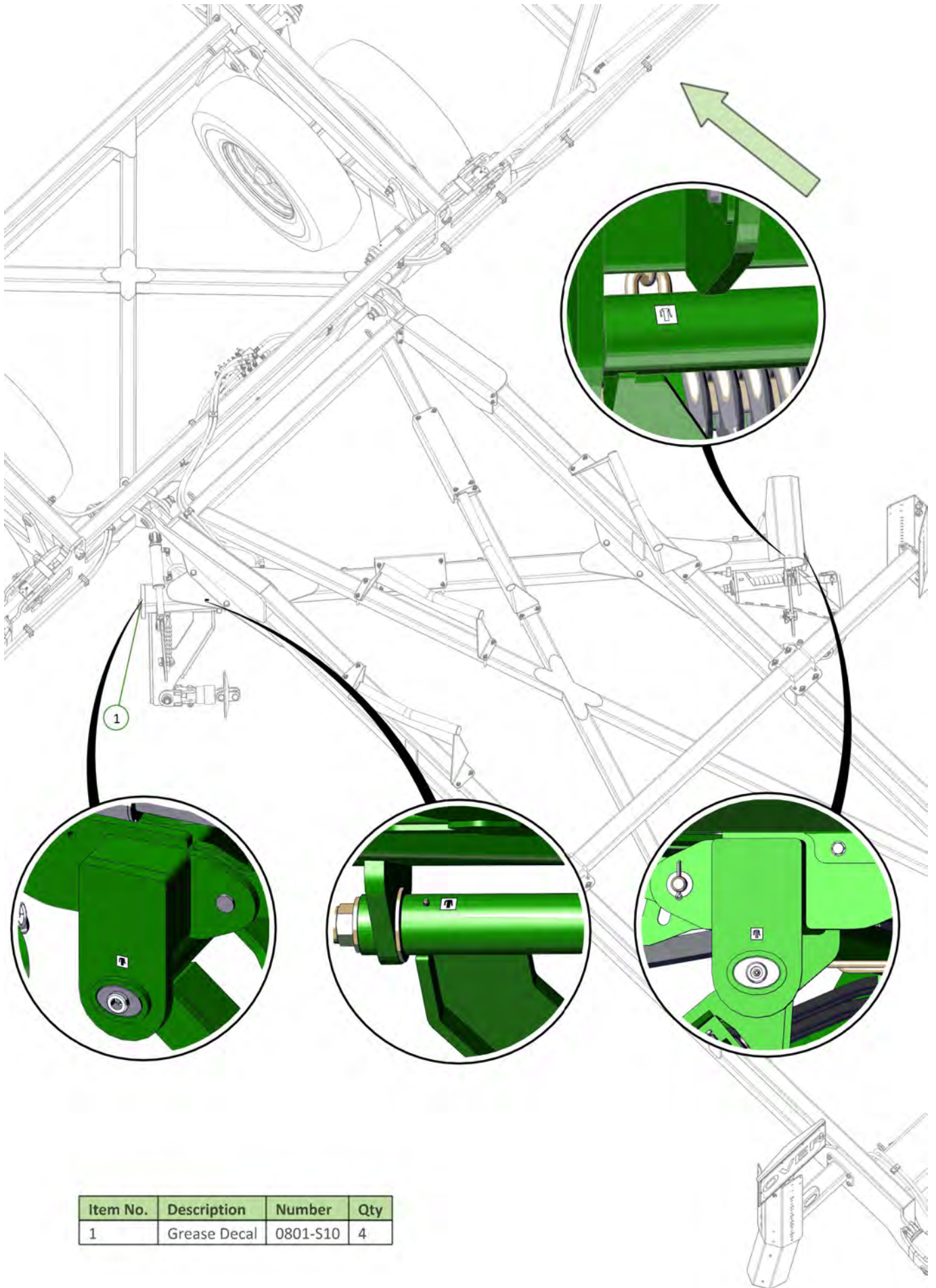
Item No.	Description	Number	Qty
1	Chain Tension 330mm Decal	0801-S15	1
2	Yellow Reflective Decal	0801-SYRF	2



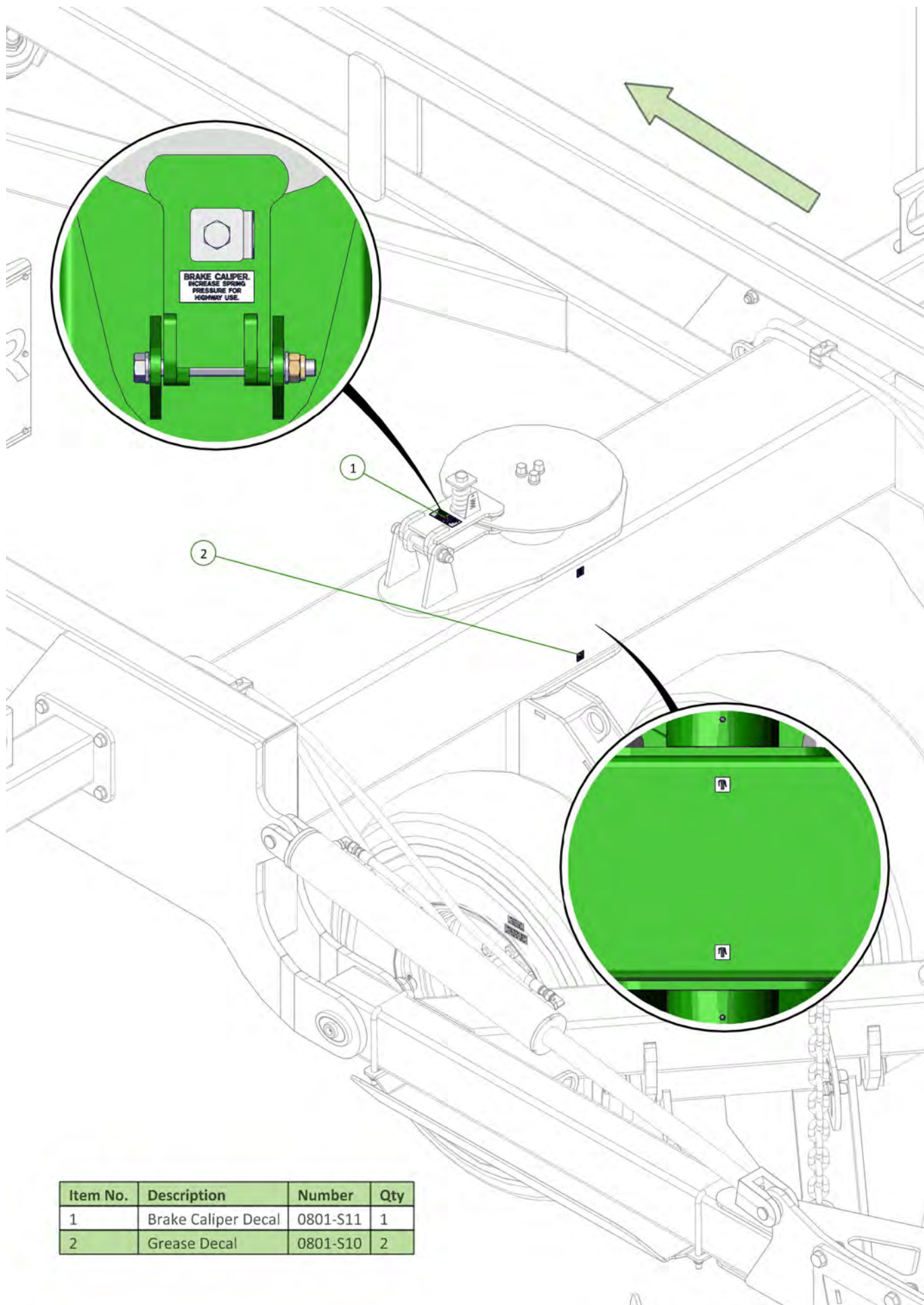


Item No.	Description	Number	Qty
1	Chain Tension 330mm Decal	0801-S15	1
2	Red Reflective Decal	0801-SRRF	1



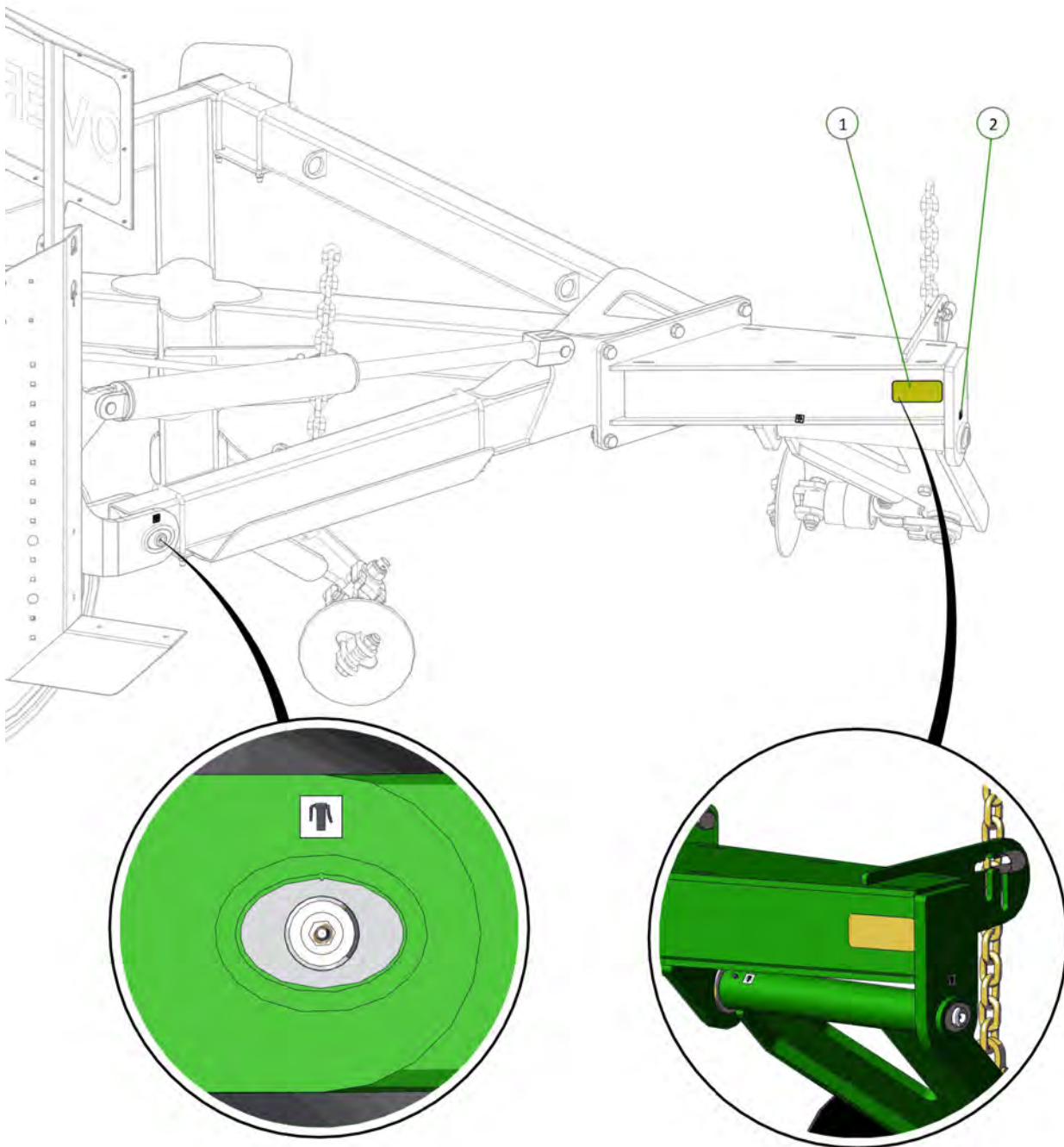
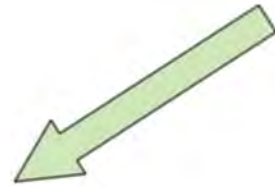


Item No.	Description	Number	Qty
1	Grease Decal	0801-S10	4

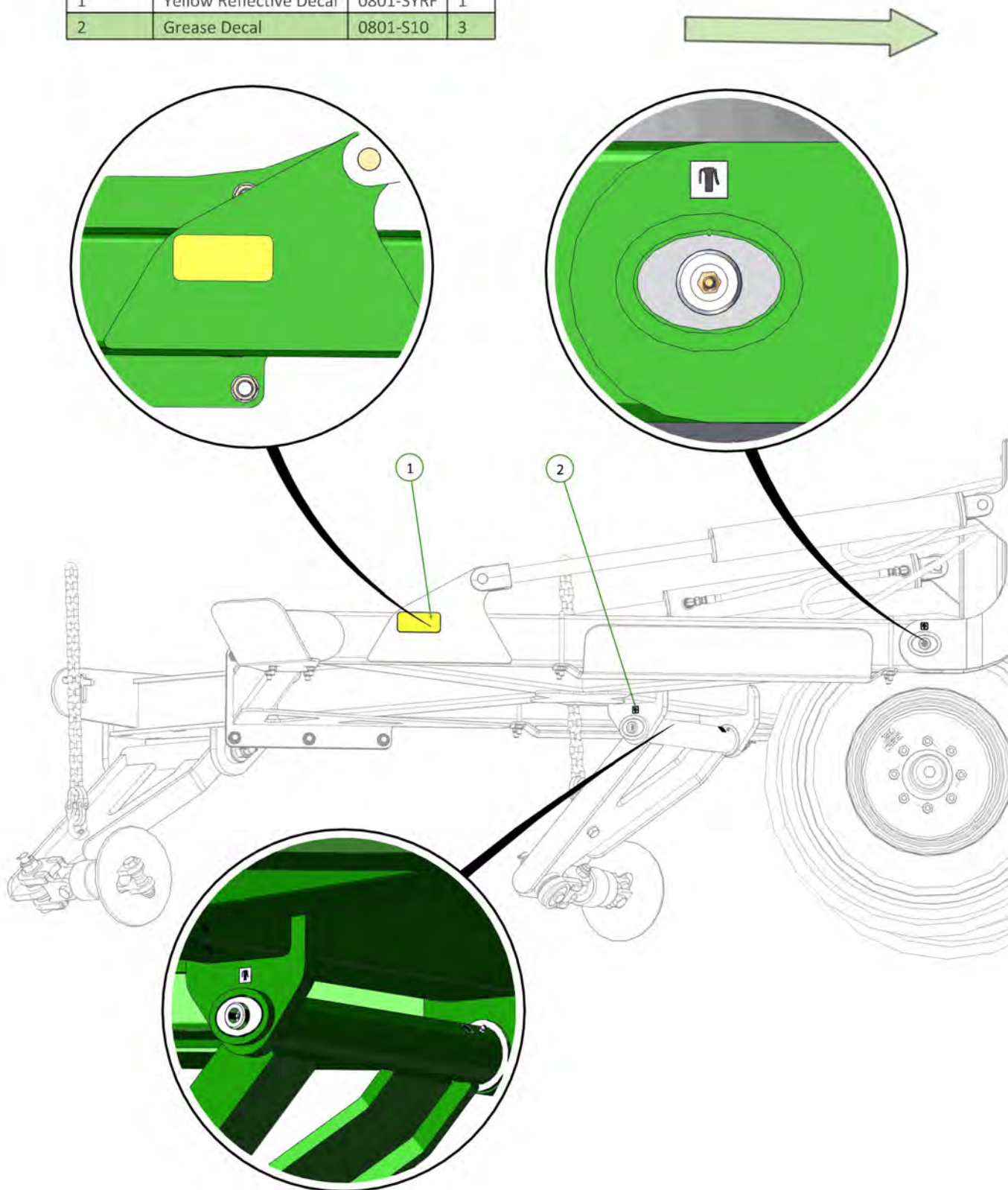


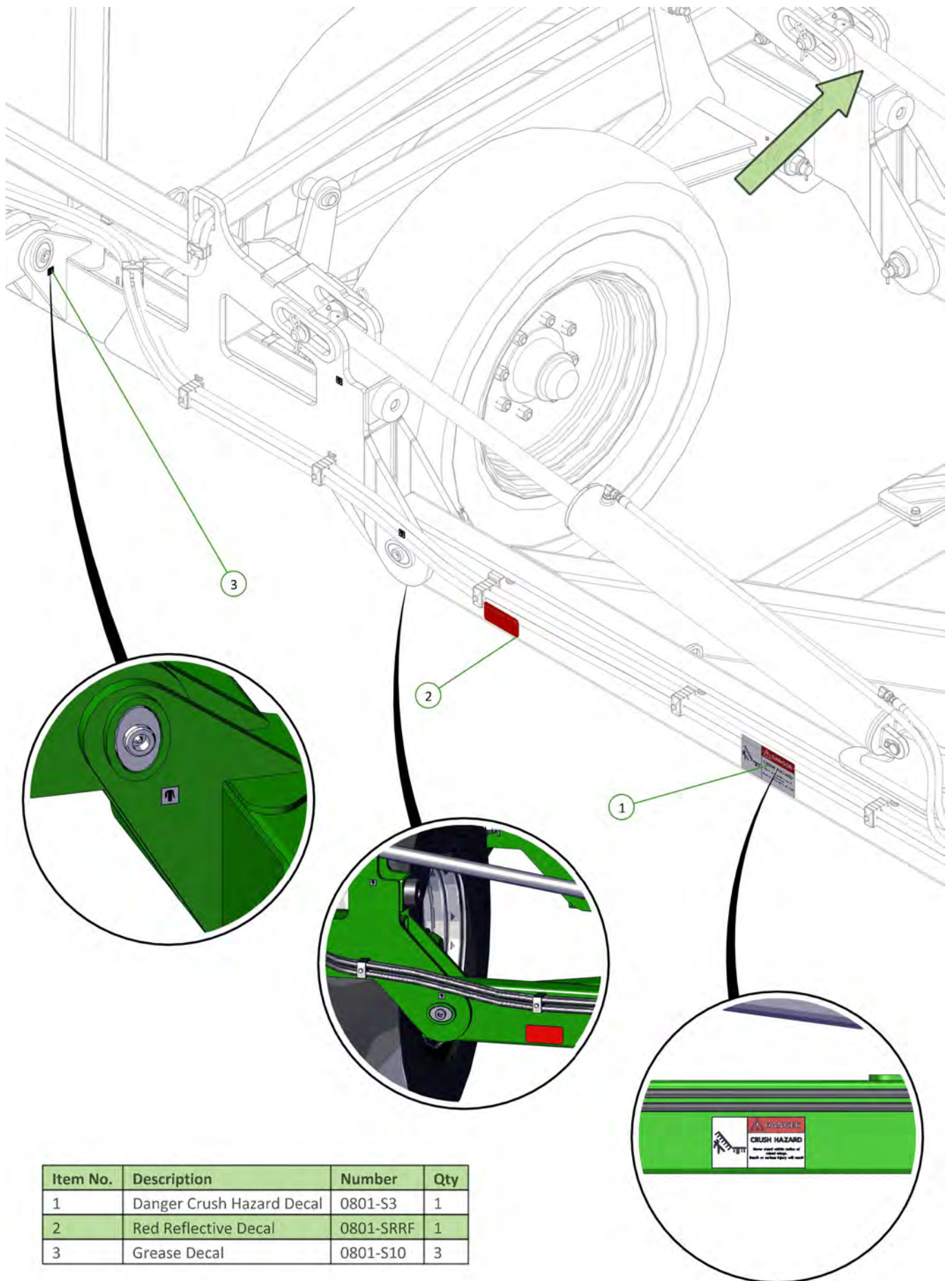
Item No.	Description	Number	Qty
1	Brake Caliper Decal	0801-S11	1
2	Grease Decal	0801-S10	2

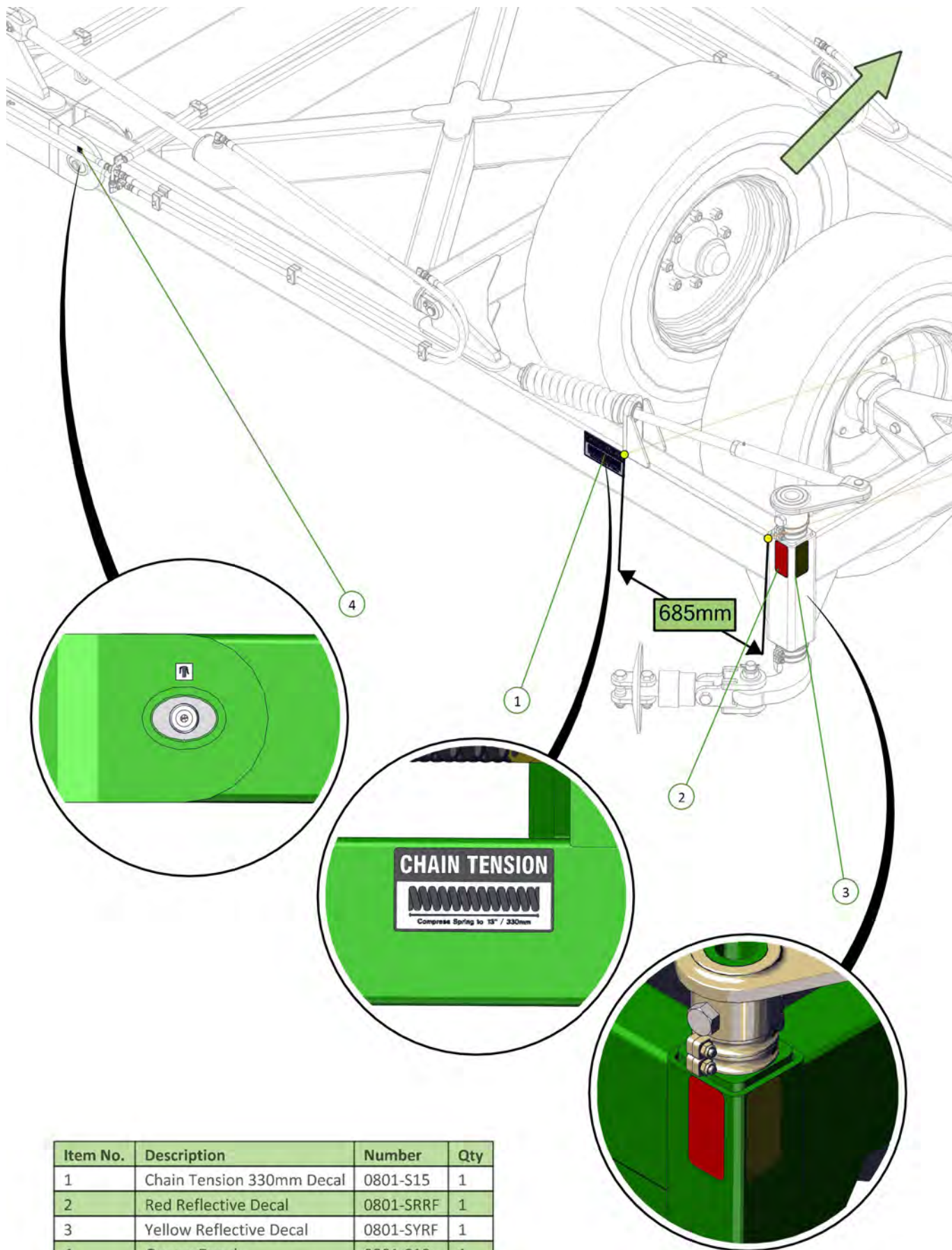
Item No.	Description	Number	Qty
1	Yellow Reflective Decal	0801-SYRF	1
2	Grease Decal	0801-S10	3

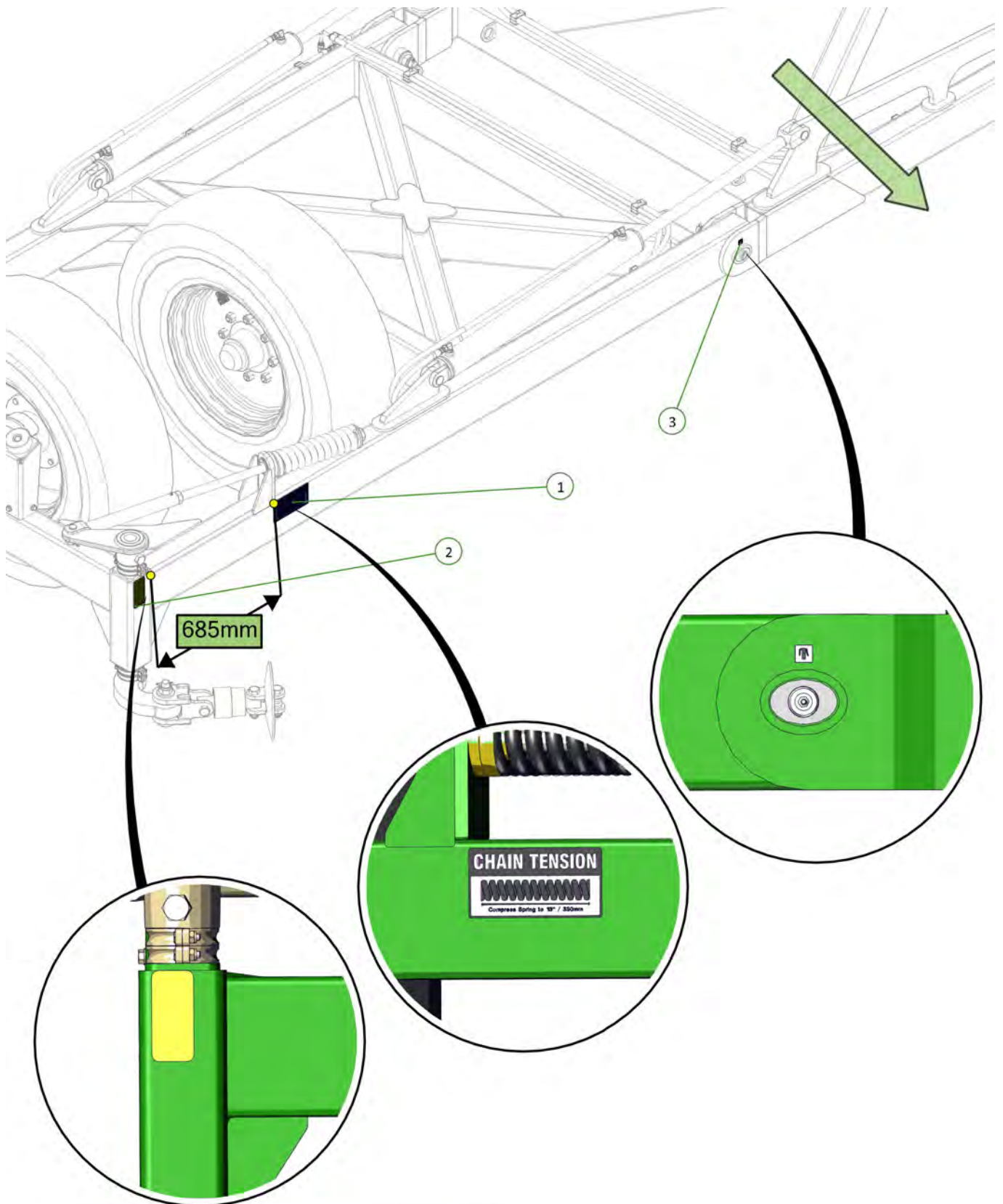


Item No.	Description	Number	Qty
1	Yellow Reflective Decal	0801-SYRF	1
2	Grease Decal	0801-S10	3

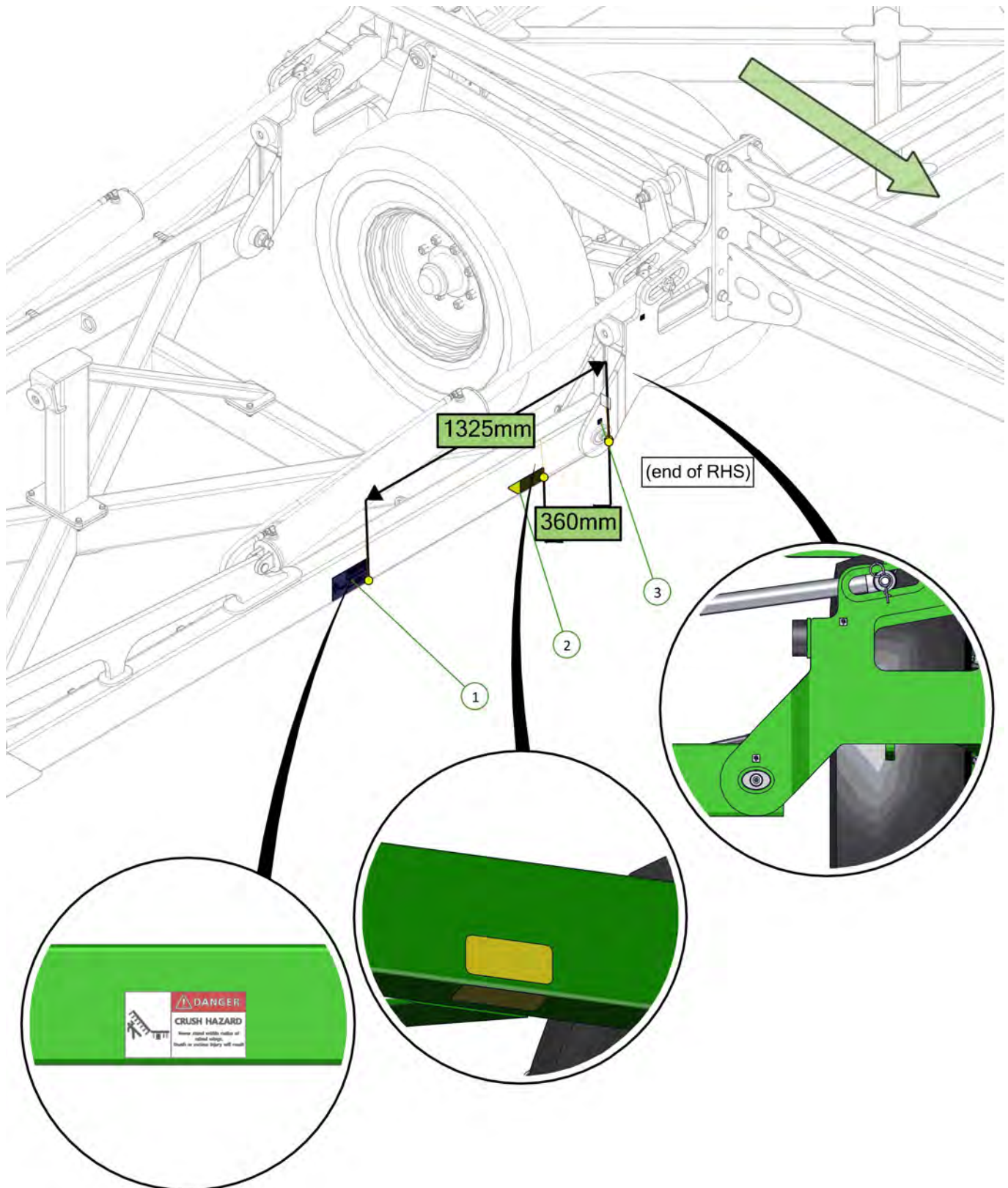






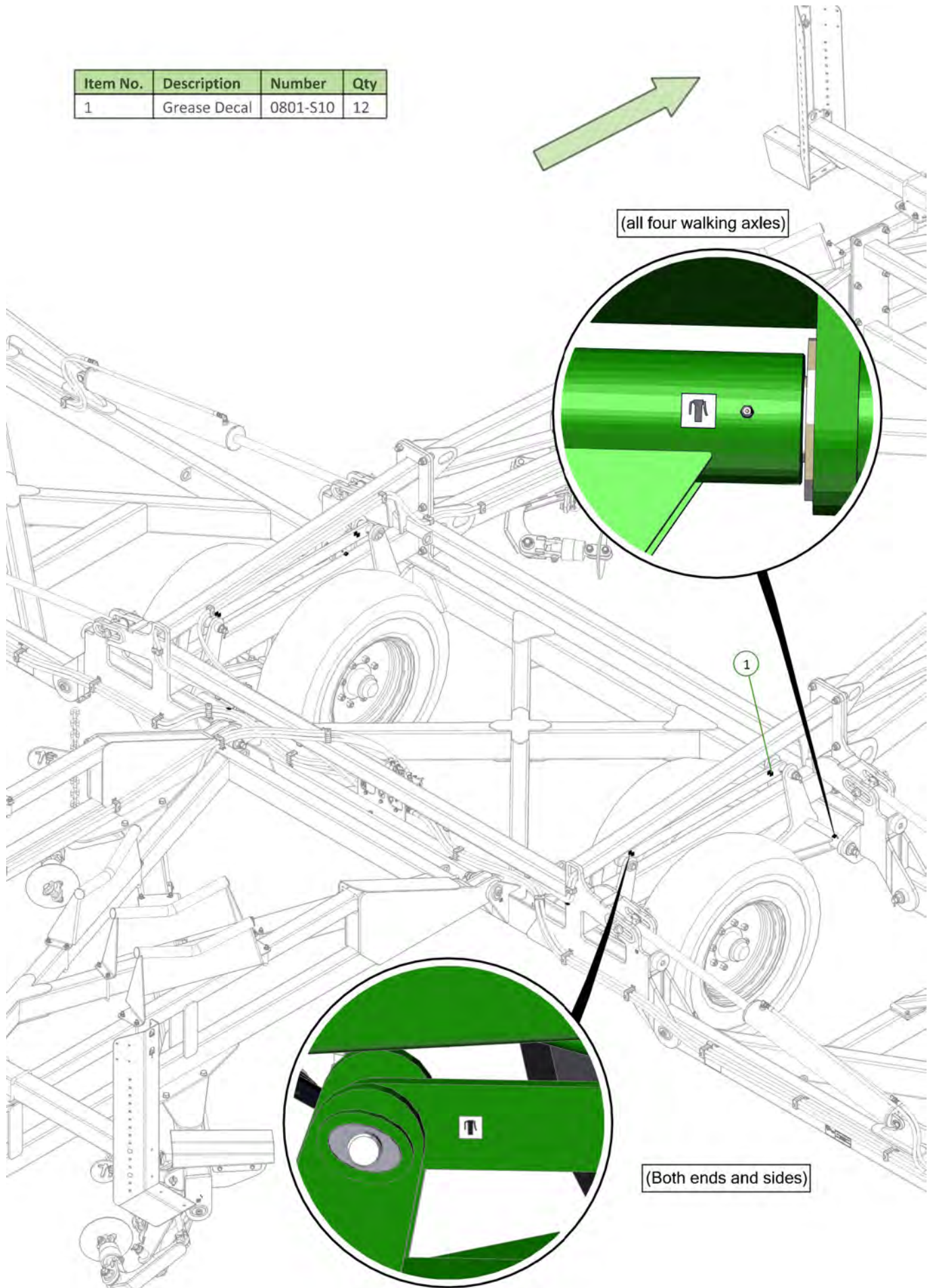


Item No.	Description	Number	Qty
1	Chain Tension 330mm Decal	0801-S15	1
2	Yellow Reflective Decal	0801-SYRF	1
3	Grease Decal	0801-S10	1



Item No.	Description	Number	Qty
1	Danger Crush Hazard Decal	0801-S3	1
2	Yellow Reflective Decal	0801-SYRF	2
3	Grease Decal	0801-S10	2

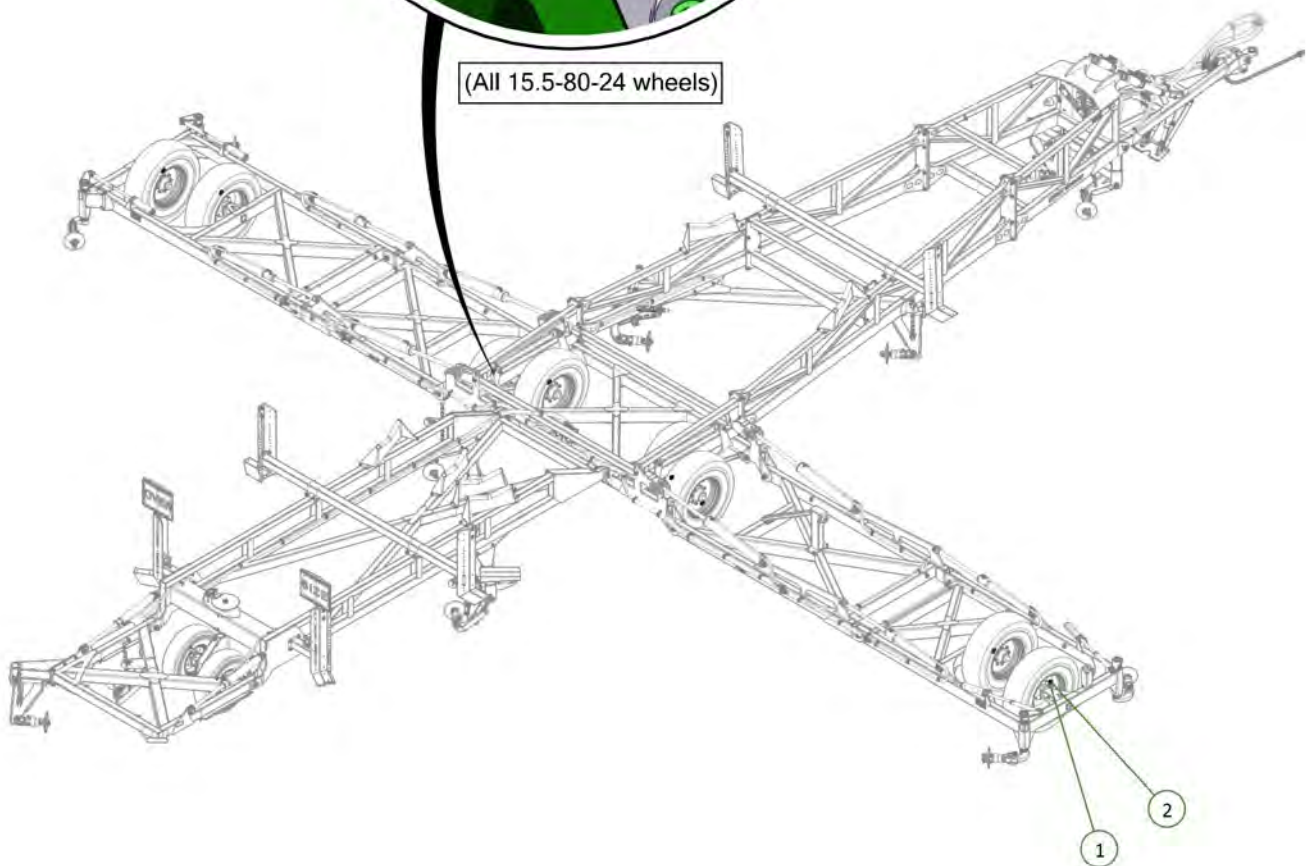
Item No.	Description	Number	Qty
1	Grease Decal	0801-S10	12



Item No.	Description	Number	Qty
1	Wheel Nut Decal	0801-S9	8
2	Decal- 15.5/80/24 Tyre Inflation	0801-S8-15.5-80-24	8



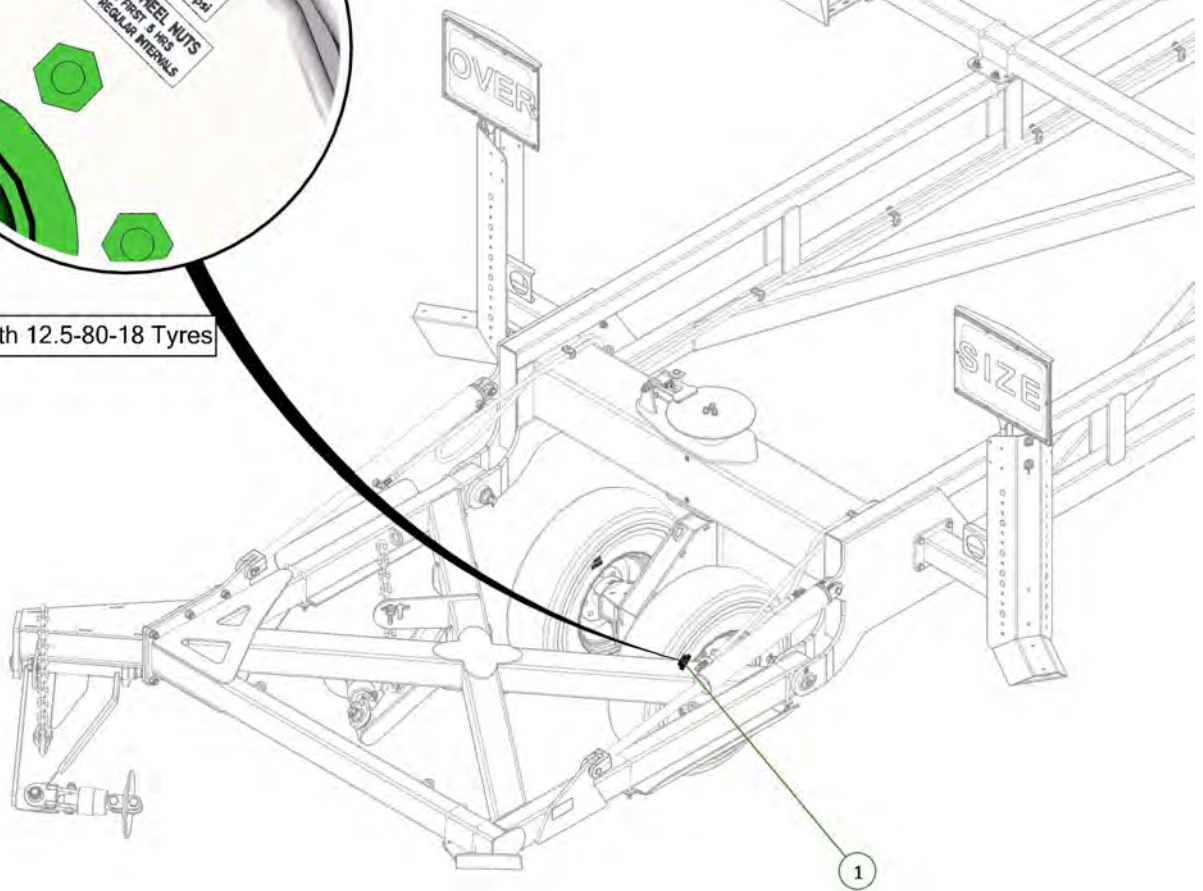
(All 15.5-80-24 wheels)

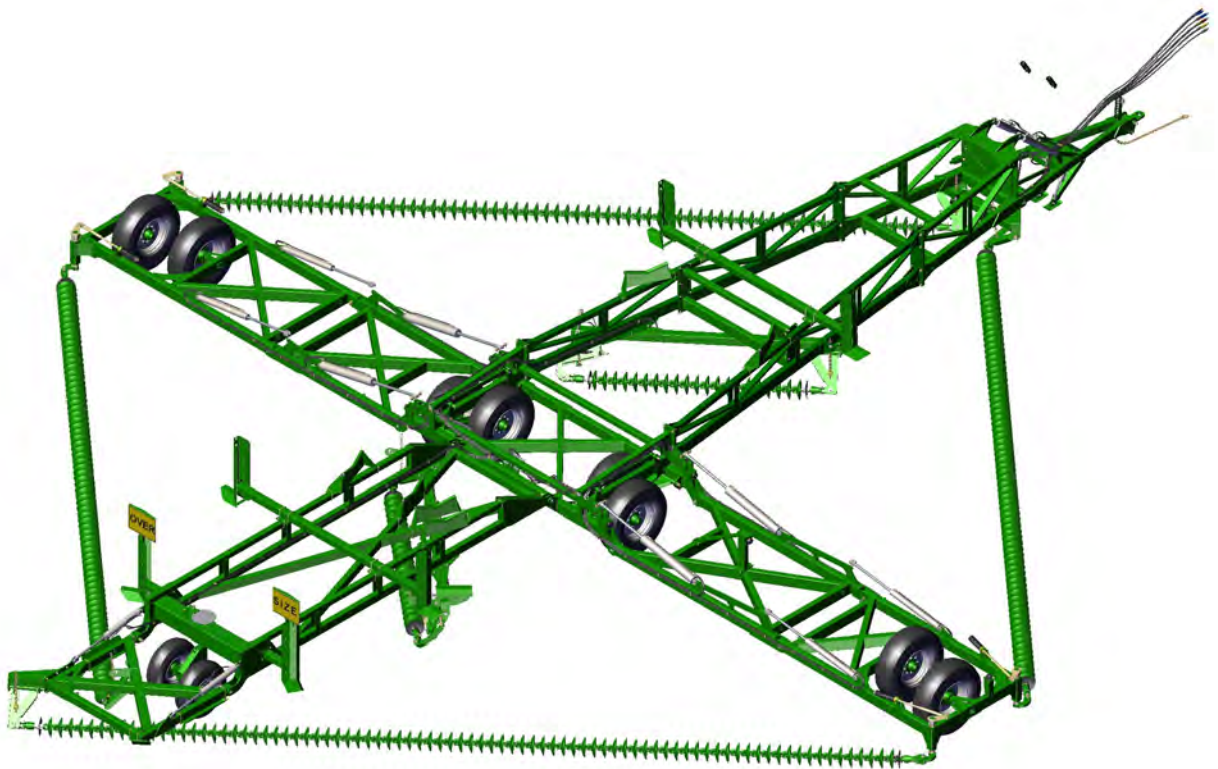


Item No.	Description	Number	Qty
1	Decal- 12.5/80/18 Tyre Inflation	0801-S8-12.5-80-18	1



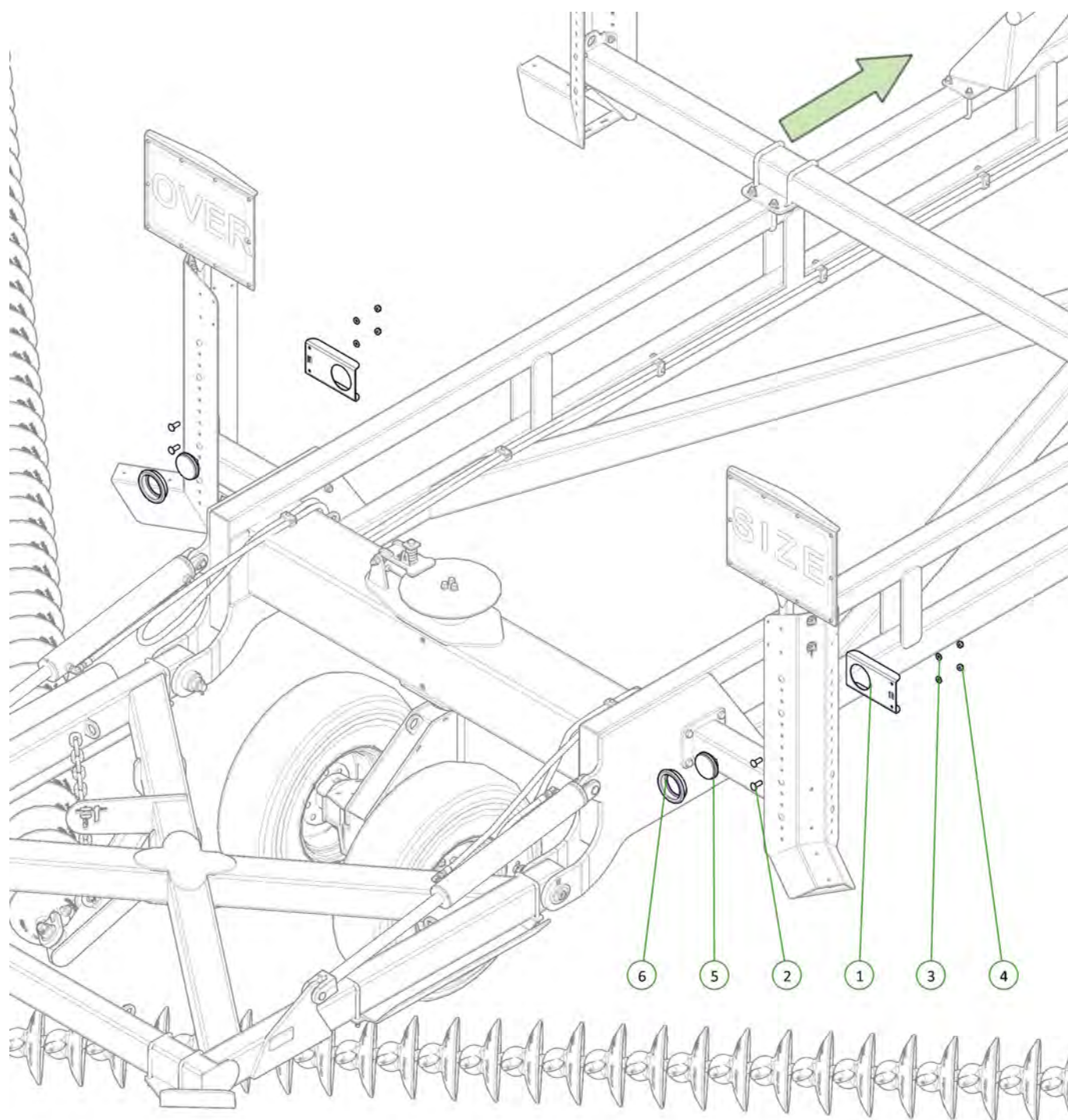
Both 12.5-80-18 Tyres





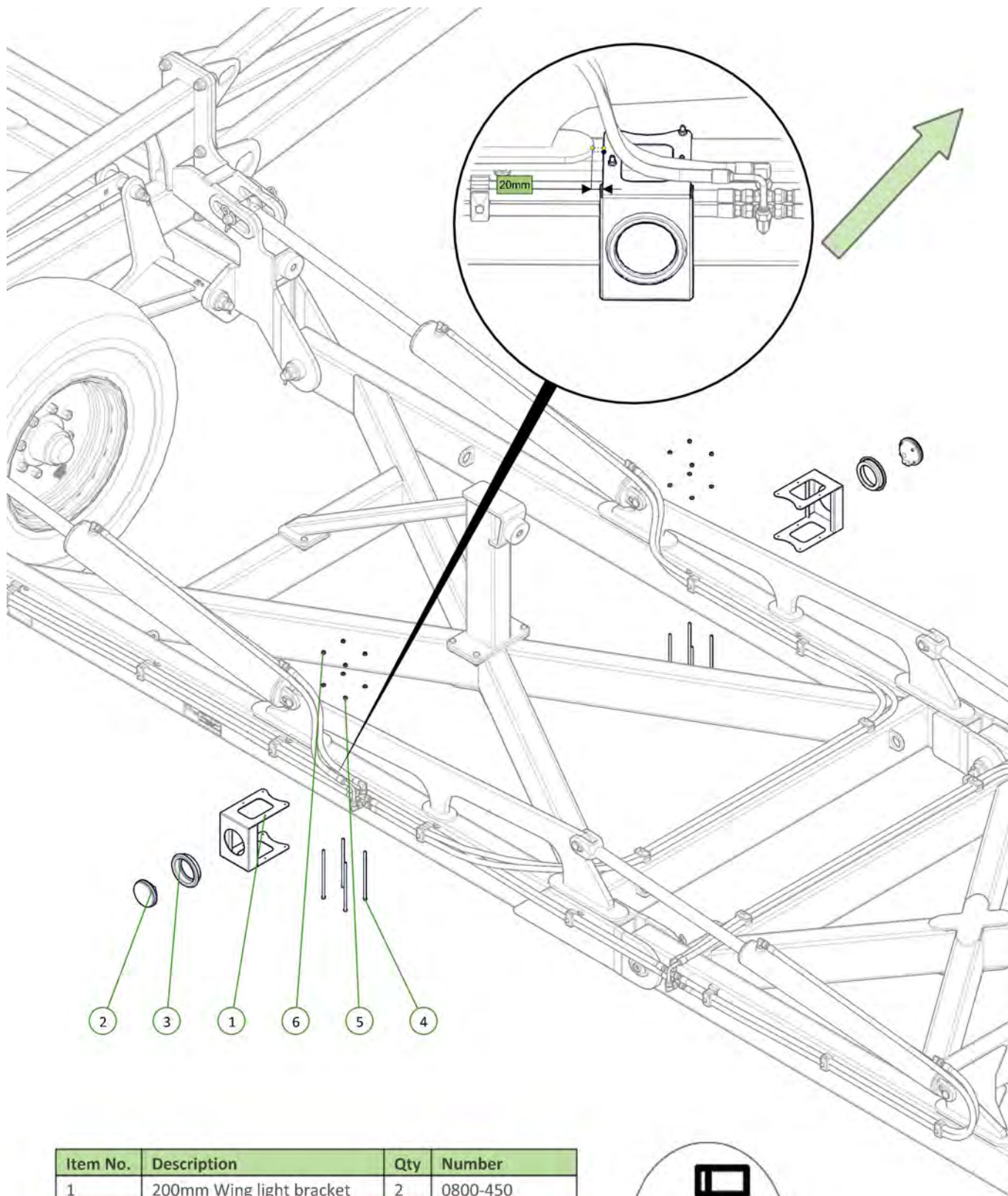


Section 4 - Light Kit



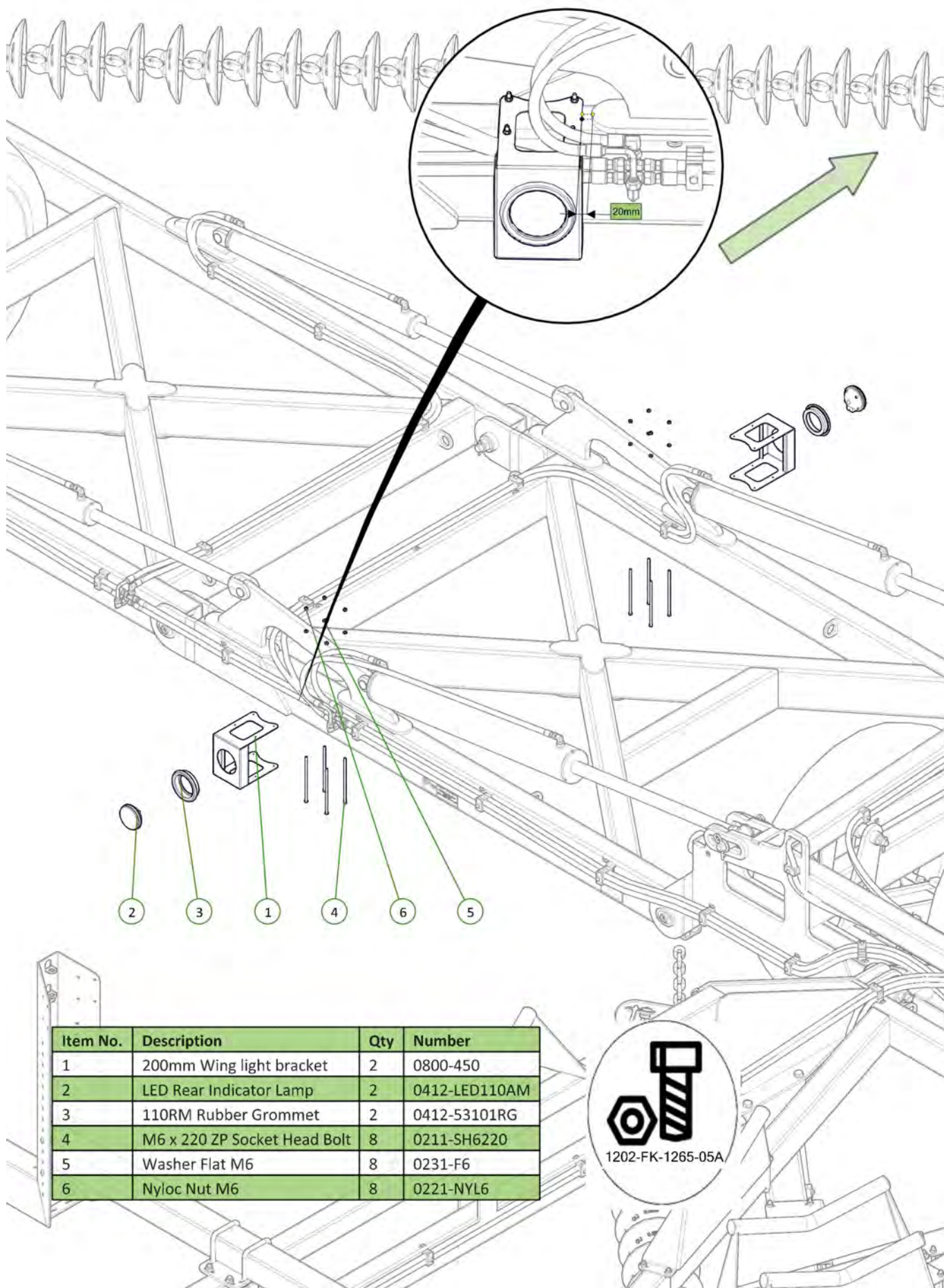
Item No.	Description	Qty	Number
1	Extended Light Bracket	2	0800-631
2	M12 x 40 Coach Head Bolt	4	0215-CH1240
3	Washer Flat M12	4	0231-F12
4	Nyloc Nut M12	4	0221-NYL12
5	LED Stop Tail Lamp	2	0412-LED110RM
6	110RM Rubber Grommet	2	0412-53101RG





Item No.	Description	Qty	Number
1	200mm Wing light bracket	2	0800-450
2	LED Rear Indicator Lamp	2	0412-LED110AM
3	110RM Rubber Grommet	2	0412-53101RG
4	M6 x 220 ZP Socket Head Bolt	8	0211-SH6220
5	Washer Flat M6	8	0231-F6
6	Nyloc Nut M6	8	0221-NYL6

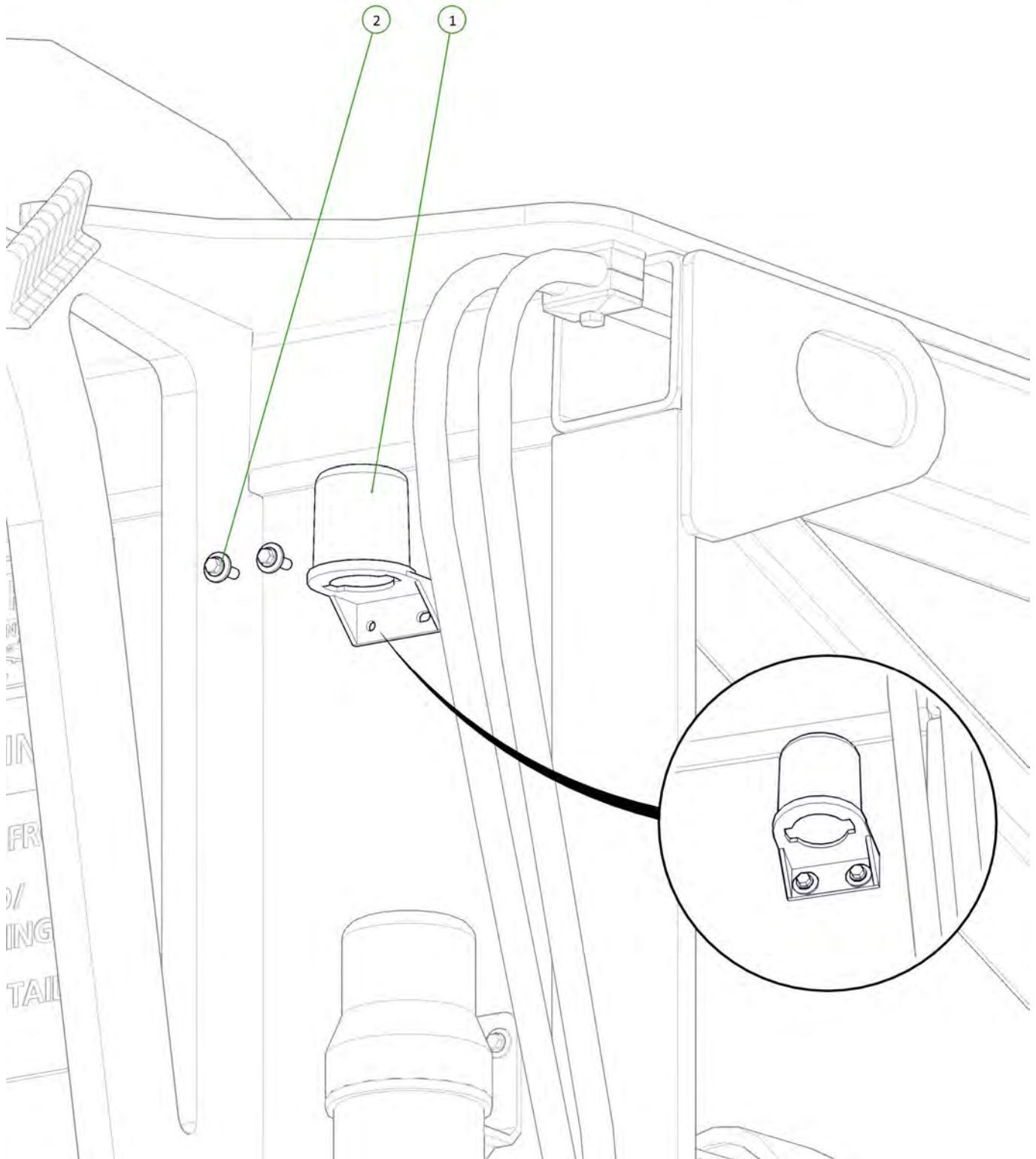




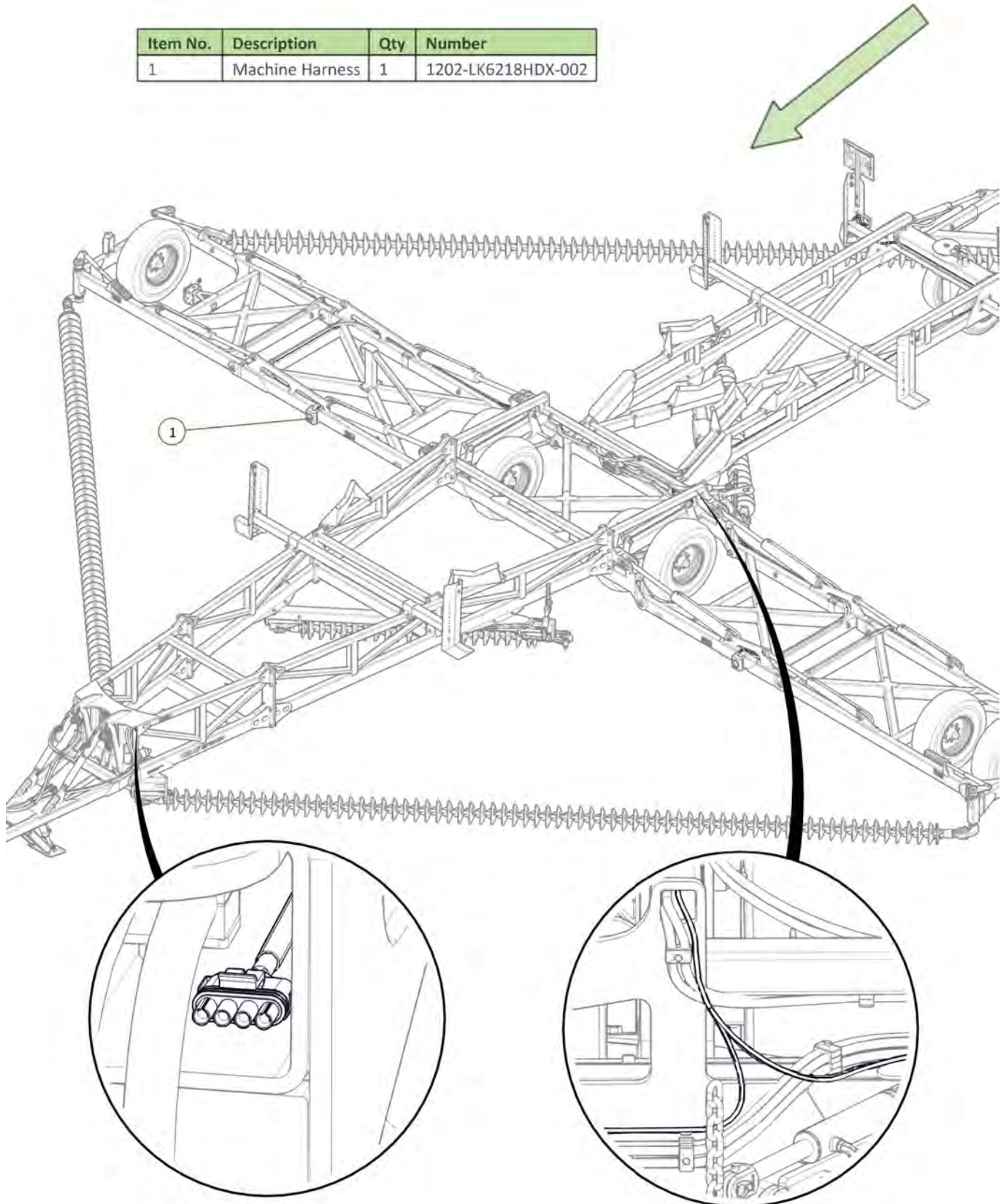
Item No.	Description	Qty	Number
1	200mm Wing light bracket	2	0800-450
2	LED Rear Indicator Lamp	2	0412-LED110AM
3	110RM Rubber Grommet	2	0412-53101RG
4	M6 x 220 ZP Socket Head Bolt	8	0211-SH6220
5	Washer Flat M6	8	0231-F6
6	Nyloc Nut M6	8	0221-NYL6

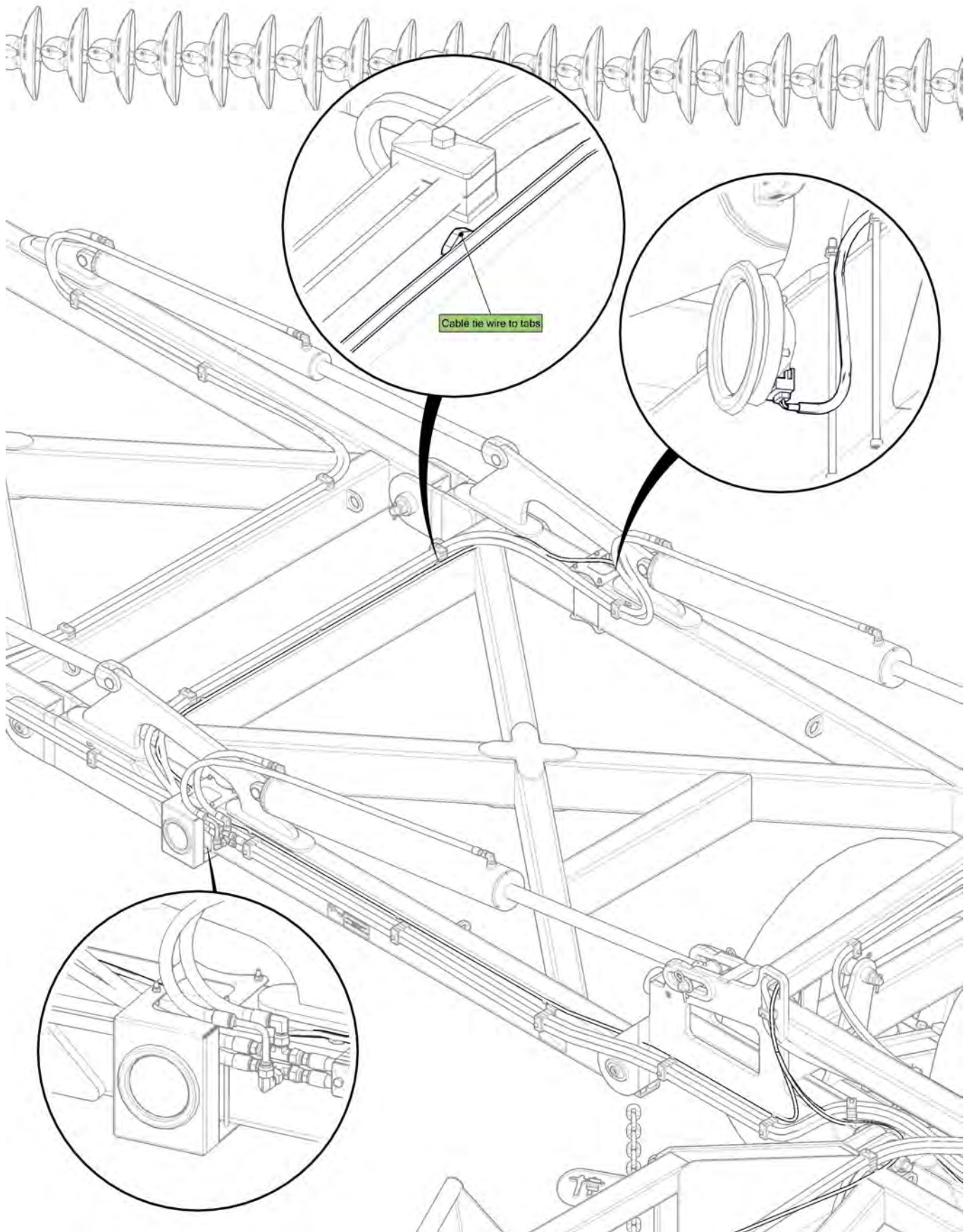


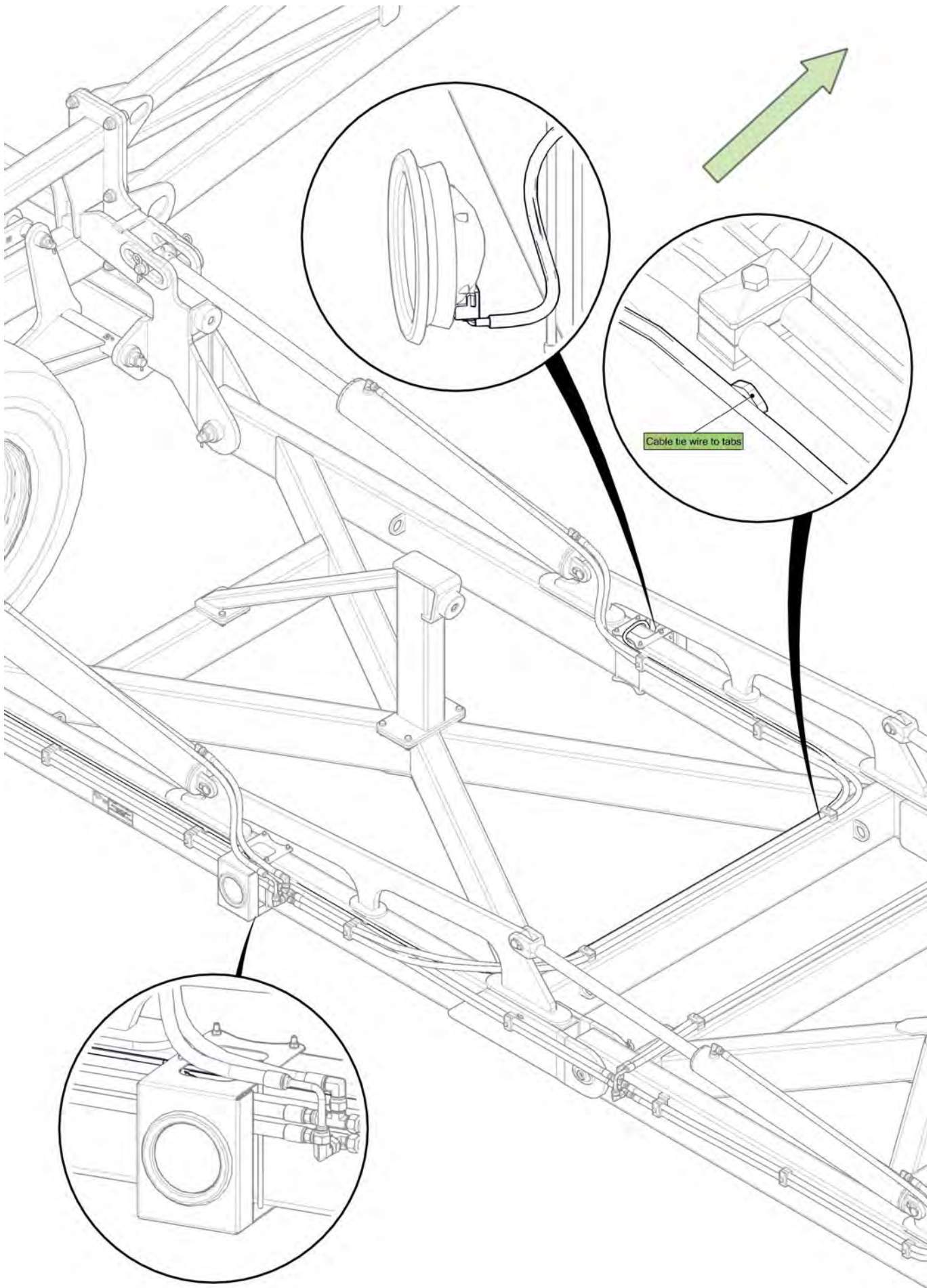
Item No.	Description	Qty	Number
1	Electrical Plug Keeper	1	0416-11750B
2	M6 x 20mm Trilobe Screw	2	0211-M620MZPHTF

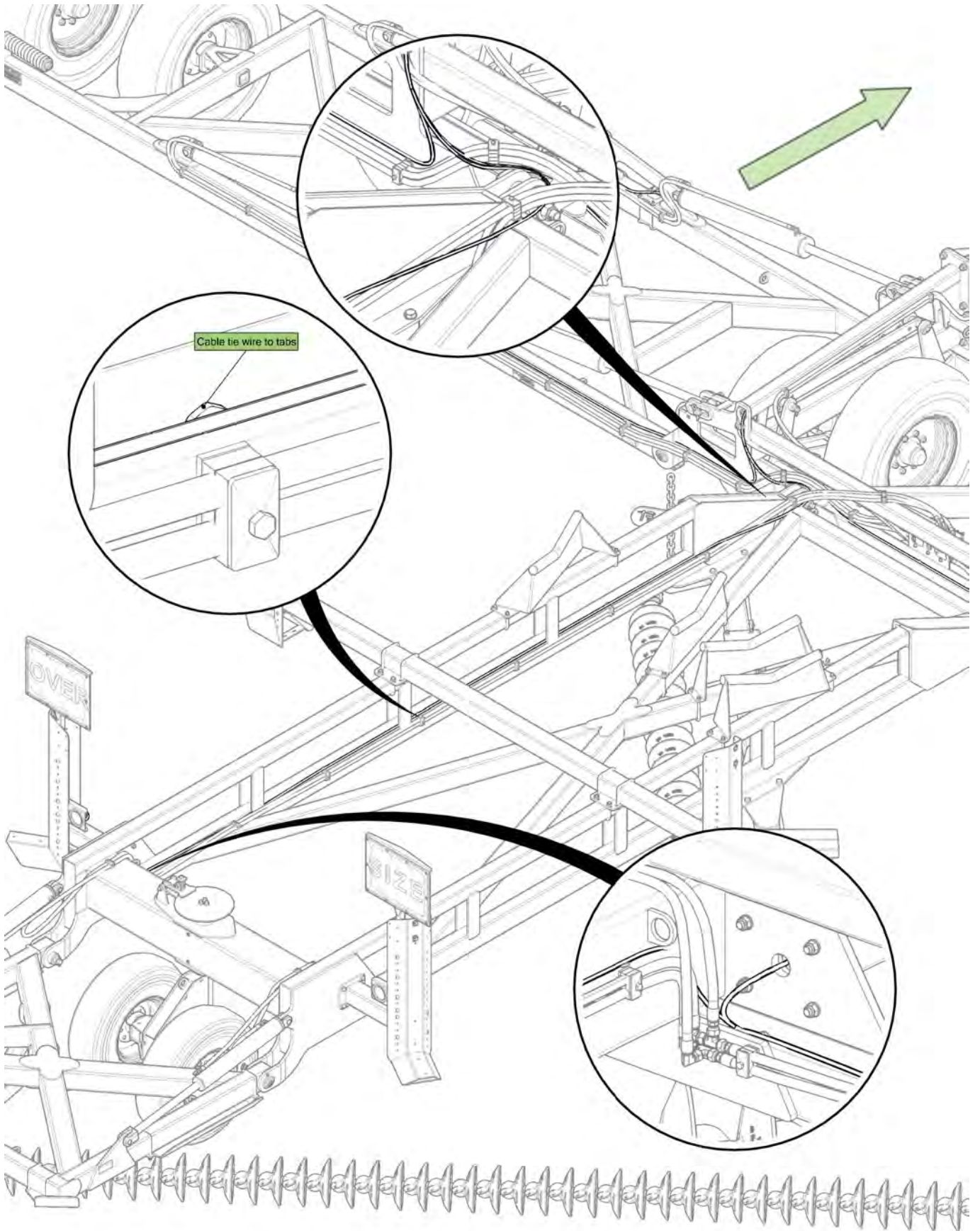


Item No.	Description	Qty	Number
1	Machine Harness	1	1202-LK6218HDX-002

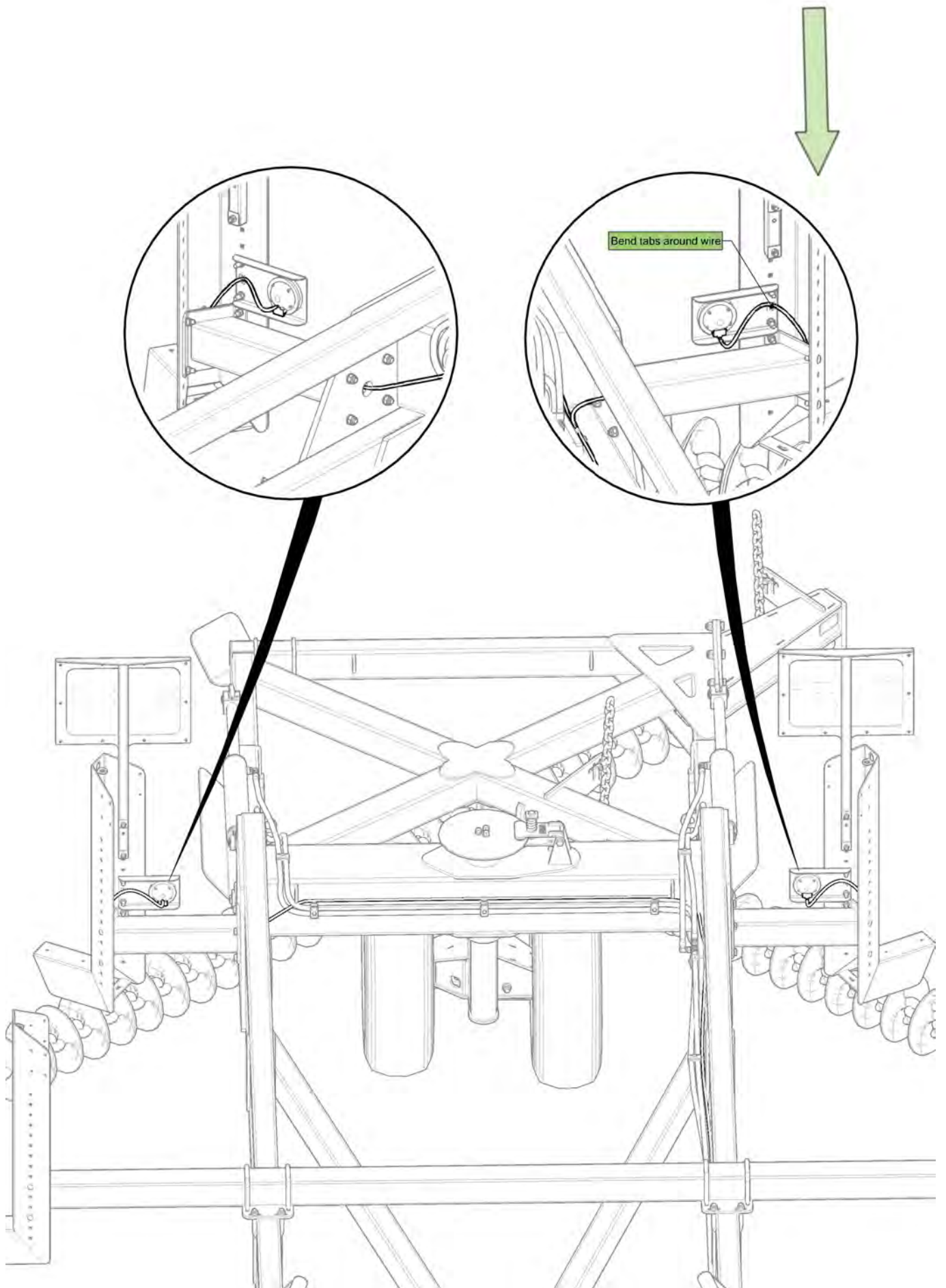




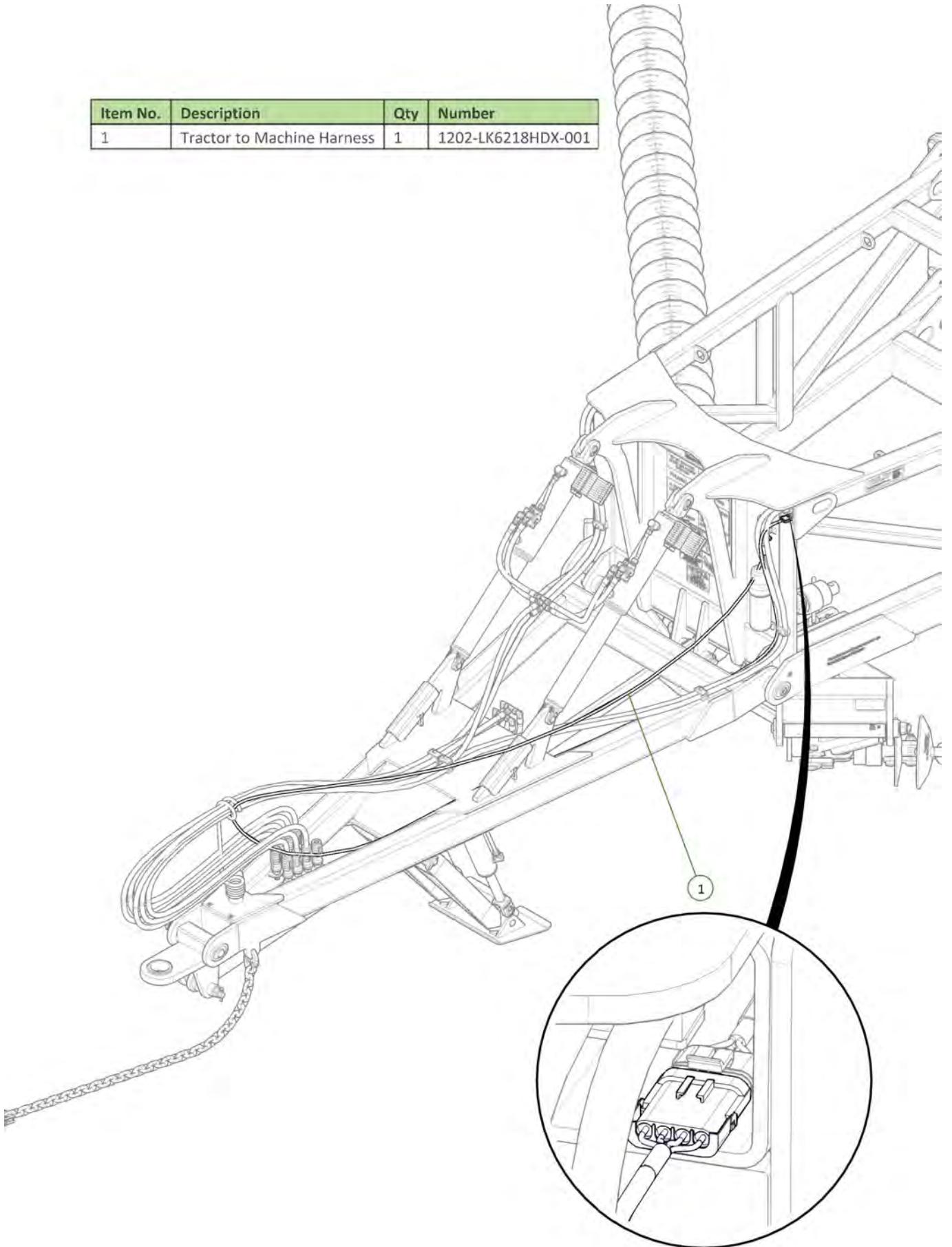




Cable tie wire to tabs



Item No.	Description	Qty	Number
1	Tractor to Machine Harness	1	1202-LK6218HDX-001





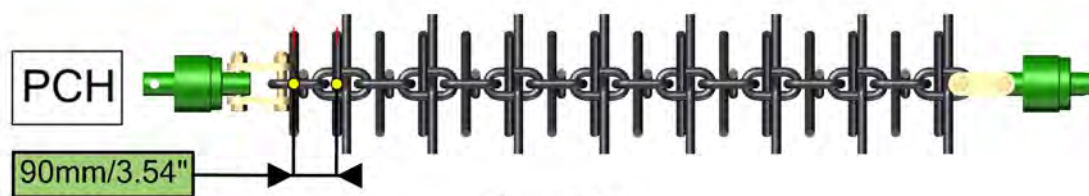
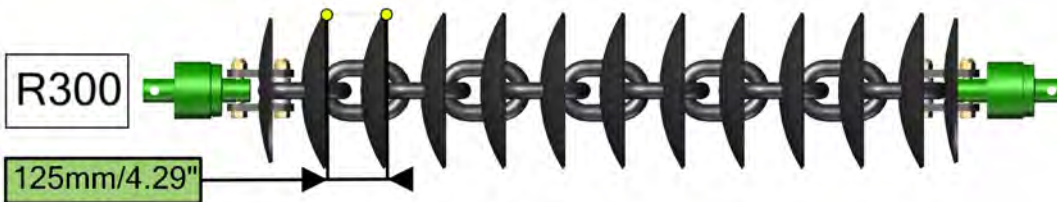
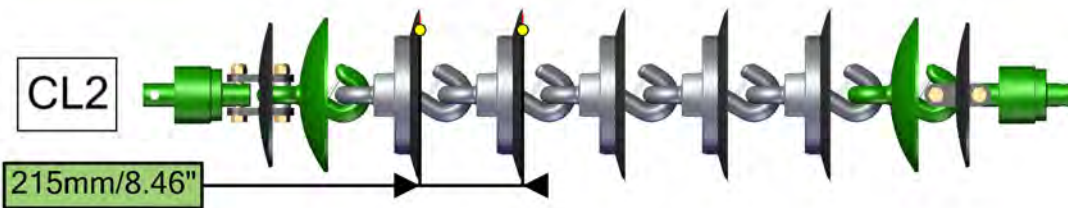
Section 5 - Diagrams



Part Number	Description	For Machines Built:	Revision
Hydraulic Fittings Parts Information			B

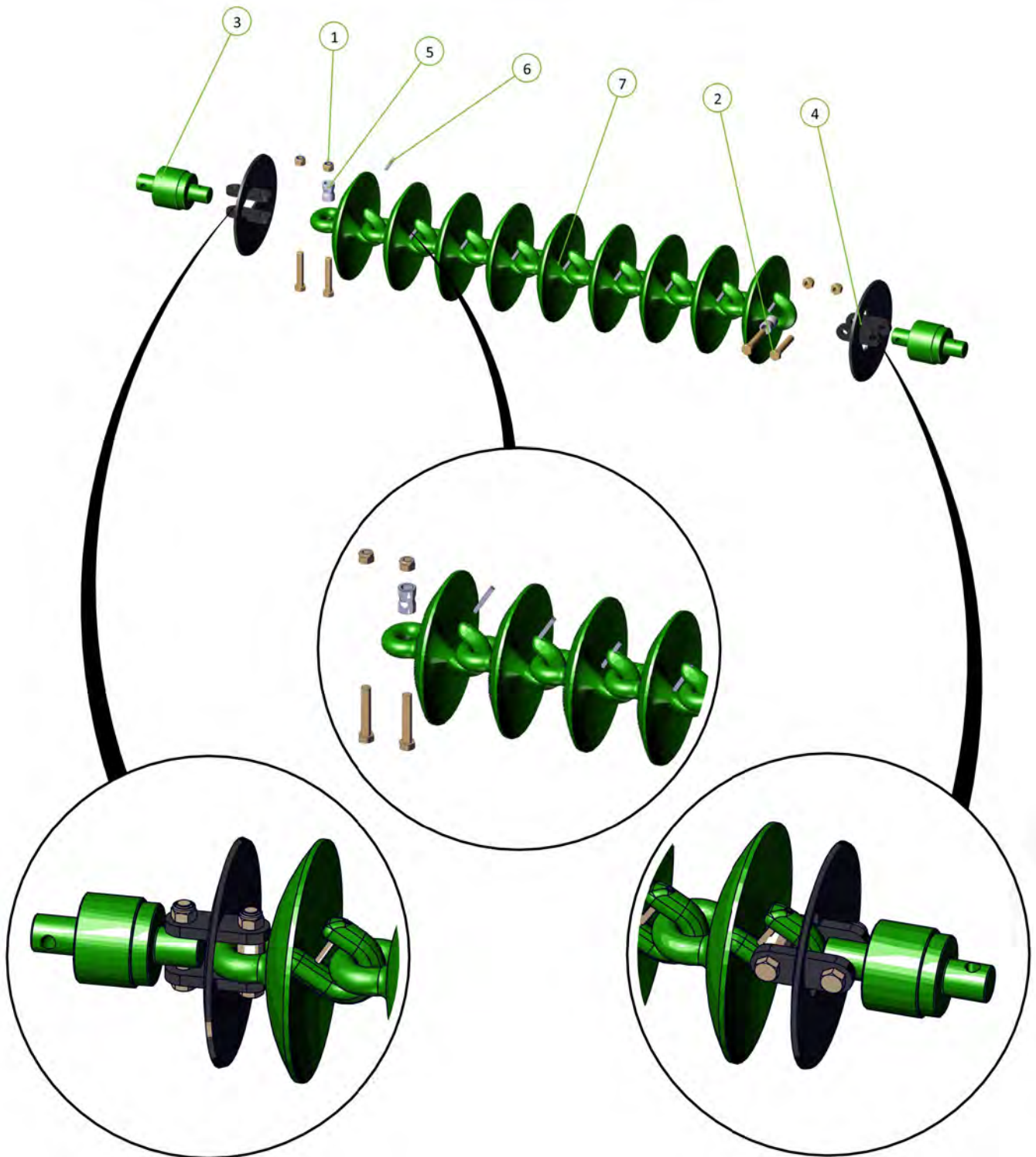


Section 6 - Chain Assembly



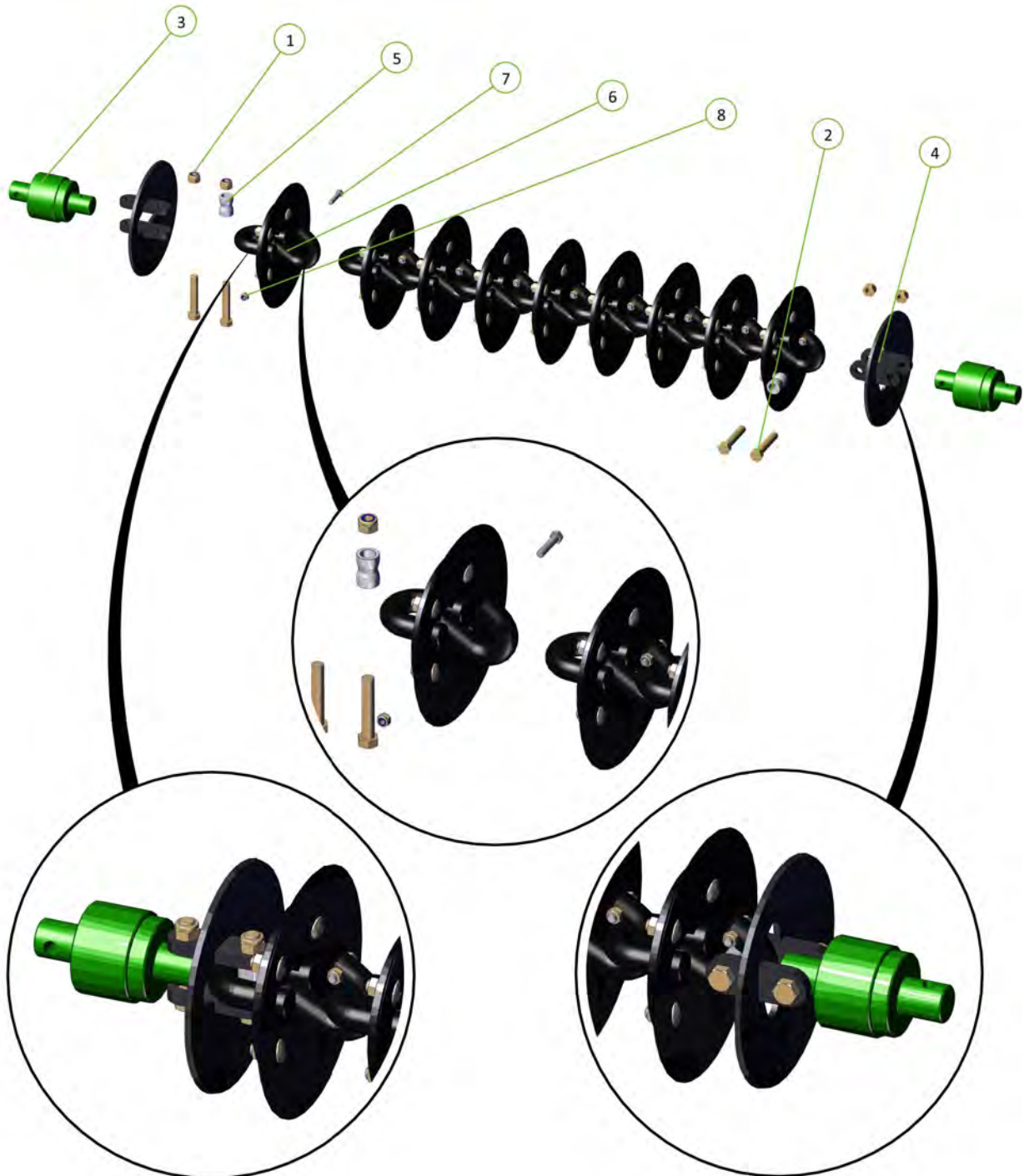
CL1 Disc Chain

Item No.	Description	Number
1	Nyloc Nut M20	0221-NYL20
2	M20 x 110 Class 10.9 ZP Short Thread Bolt	0211-20110ST
3	20mm Bolt Swivel Unit	0802-PCHB55
4	Tie Plate Disc 20mm	0802-DCTP-20
5	Disc Chain Spacer	0801-253755
6	Roll Pin Zinc Plated 3/8" x 2"	0262-3-8X2
7	CL1-B Chain Disc Link	0803-CL1

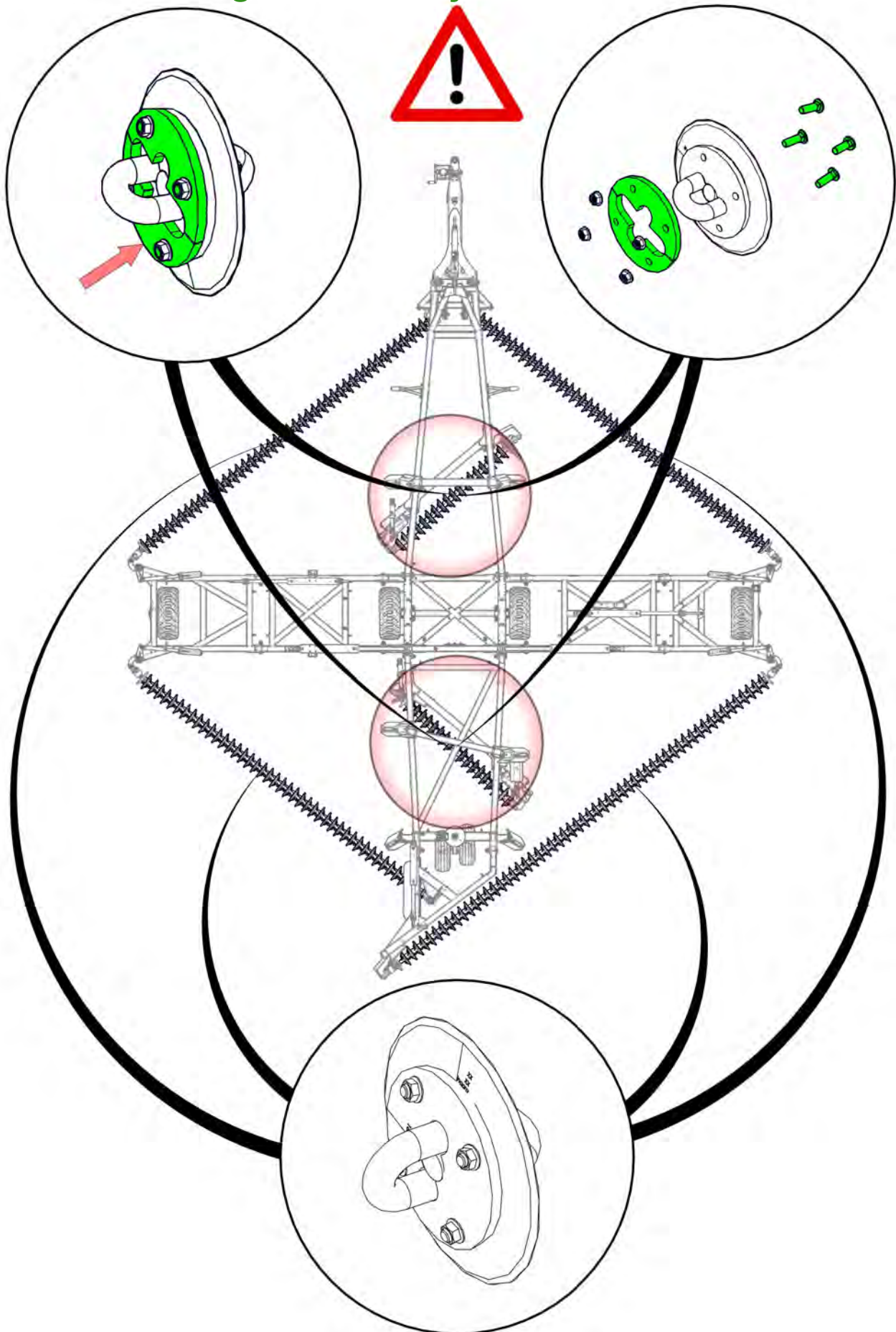


K4 Disc Chain

Item No.	Description	Number
1	Nyloc Nut M20	0221-NYL20
2	M20 x 110 Class 10.9 ZP Short Thread Bolt	0211-20110ST
3	20mm Bolt Swivel Unit	0802-PCHB55
4	Tie Plate Disc 20mm	0802-DCTP-20
5	Disc Chain Spacer	0801-253755
6	K4 Disc Assembly	0803-K4
7	M12 x 55 Class 8.8 ZP Bolt	0211-1255
8	Nyloc Nut M12	0221-NYL12

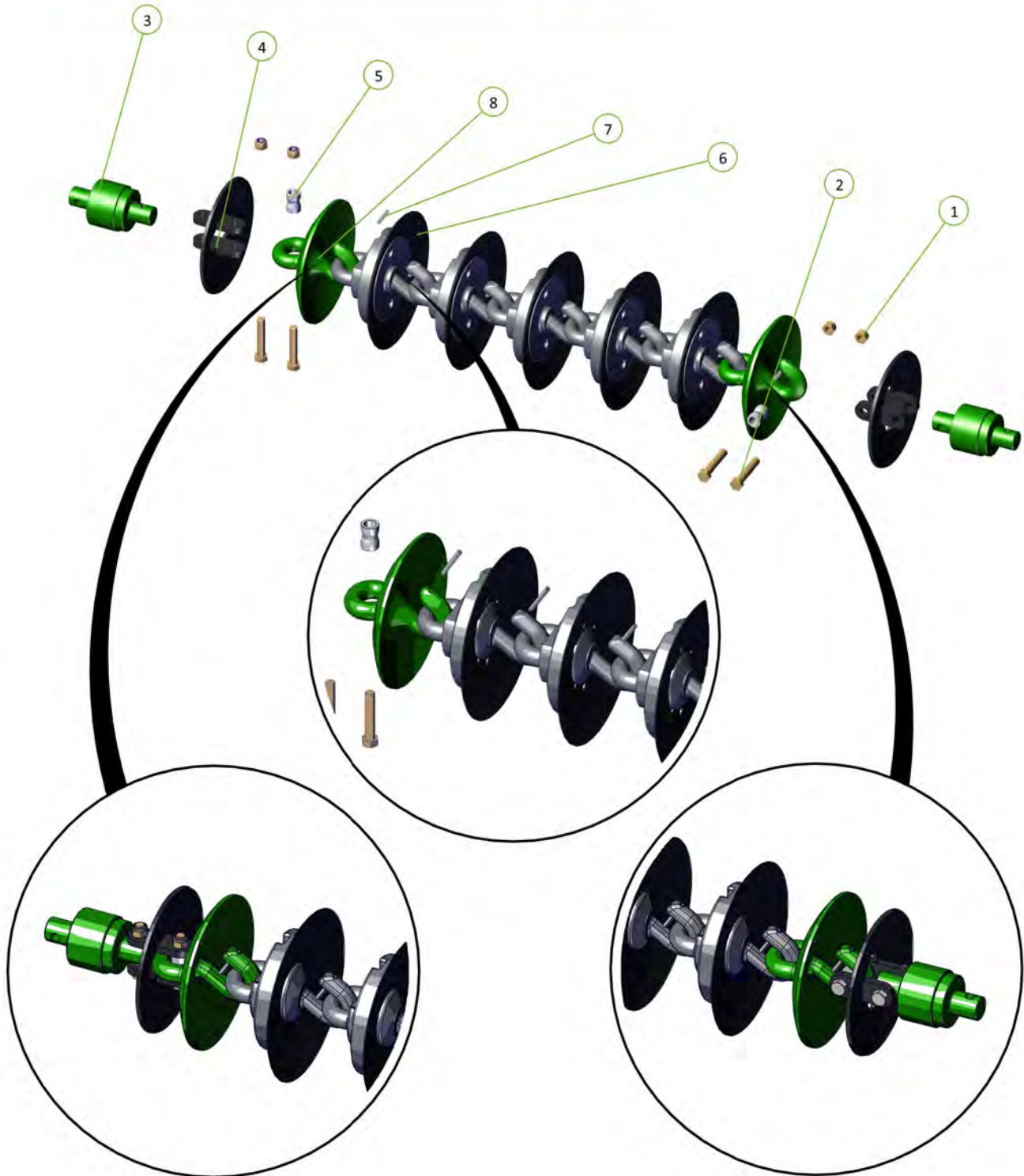


K4 Weight Assembly on Modules



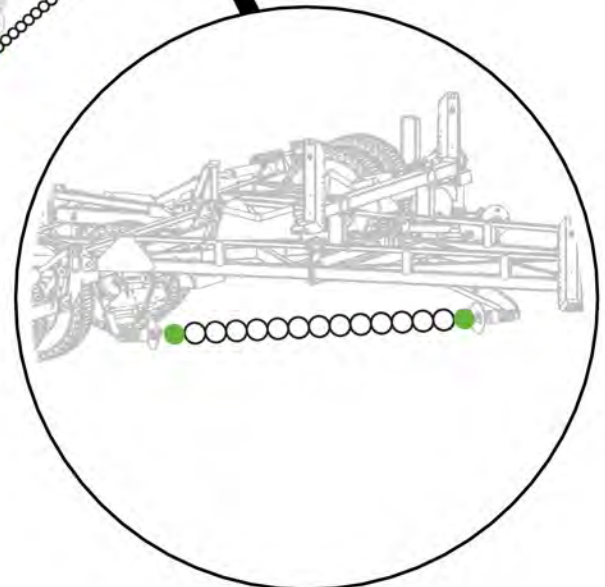
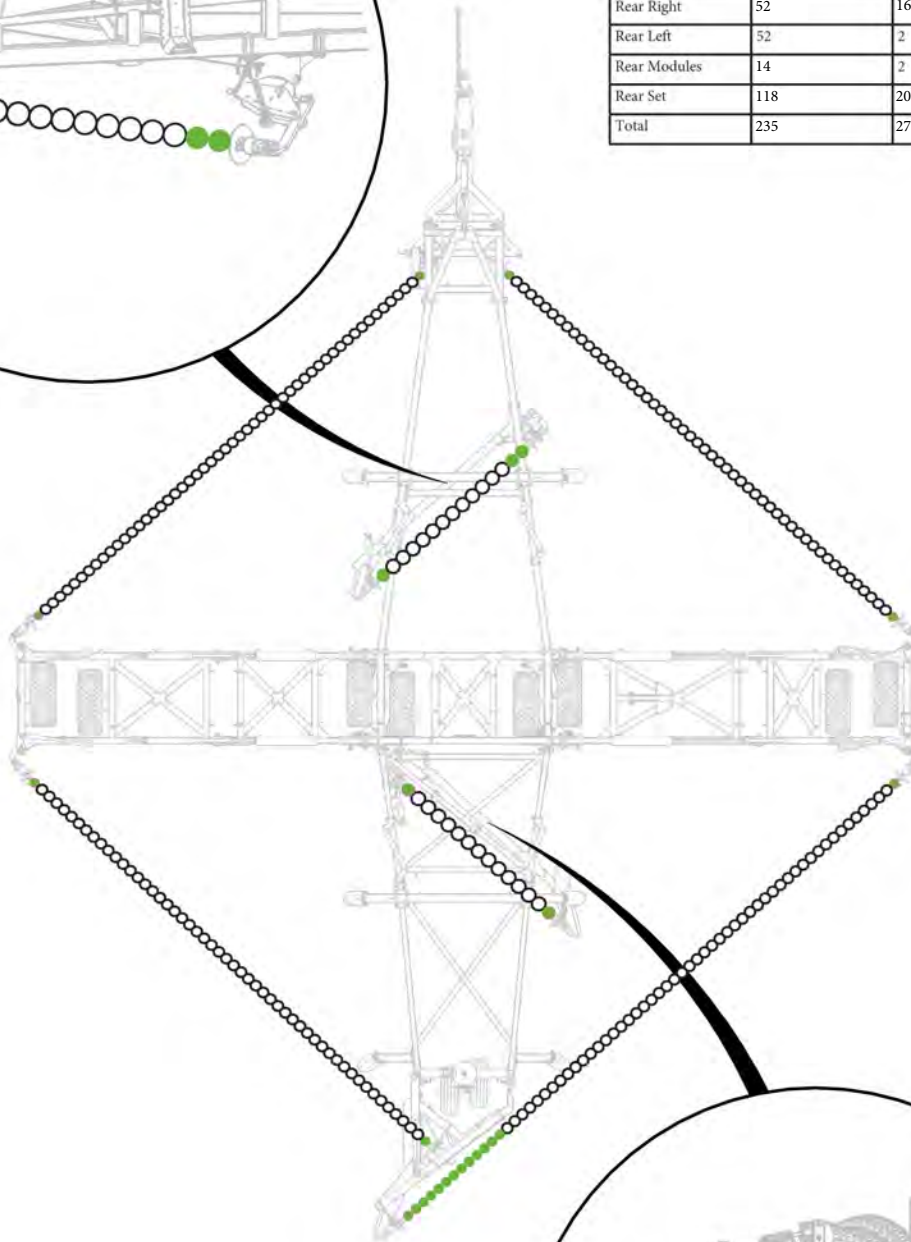
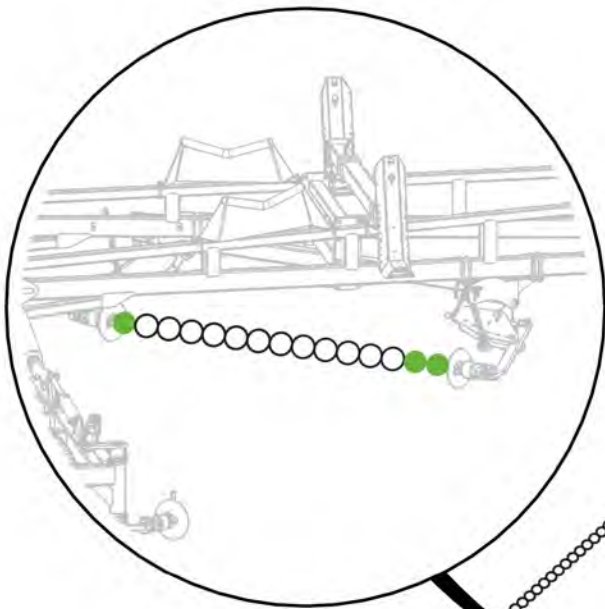
CL2 Disc Chain

Item No.	Description	Number
1	Nyloc Nut M20	0221-NYL20
2	M20 x 110 Class 10.9 ZP Short Thread Bolt	0211-20110ST
3	20mm Bolt Swivel Unit	0802-PCHB55
4	Tie Plate Disc 20mm	0802-DCTP-20
5	Disc Chain Spacer	0801-253755
6	CL2-Link Assembly	0803-CL2
7	Roll Pin Zinc Plated 3/8" x 2"	0262-3-8X2
8	CL1 Disc Chain Link	0803-CL1



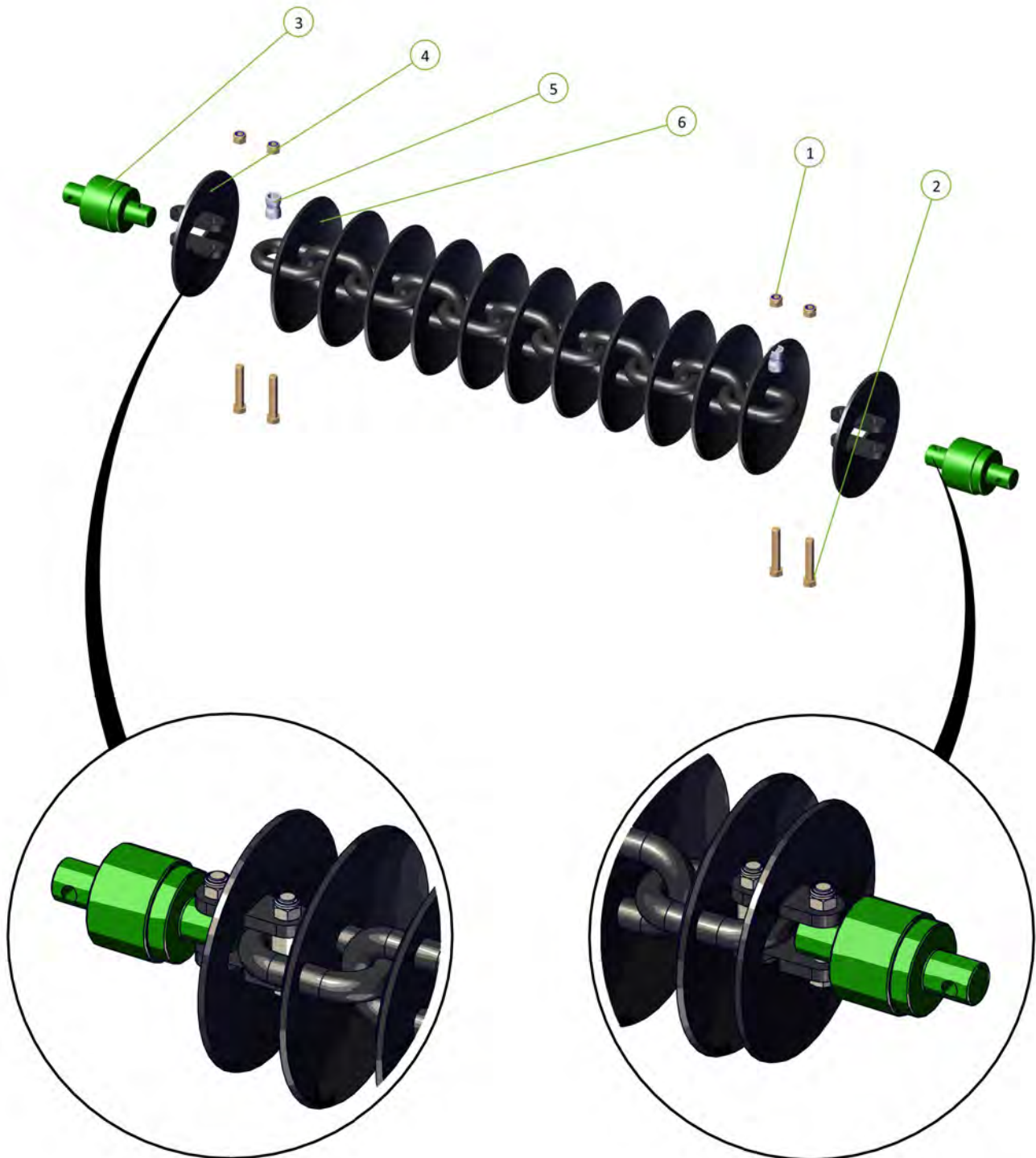
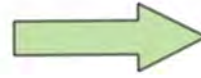
CL2 Chain Layout

Set	CL2	CL1
Front Left	51	2
Front Right	52	2
Front Modules	14	3
Front Set	117	7
Rear Right	52	16
Rear Left	52	2
Rear Modules	14	2
Rear Set	118	20
Total	235	27



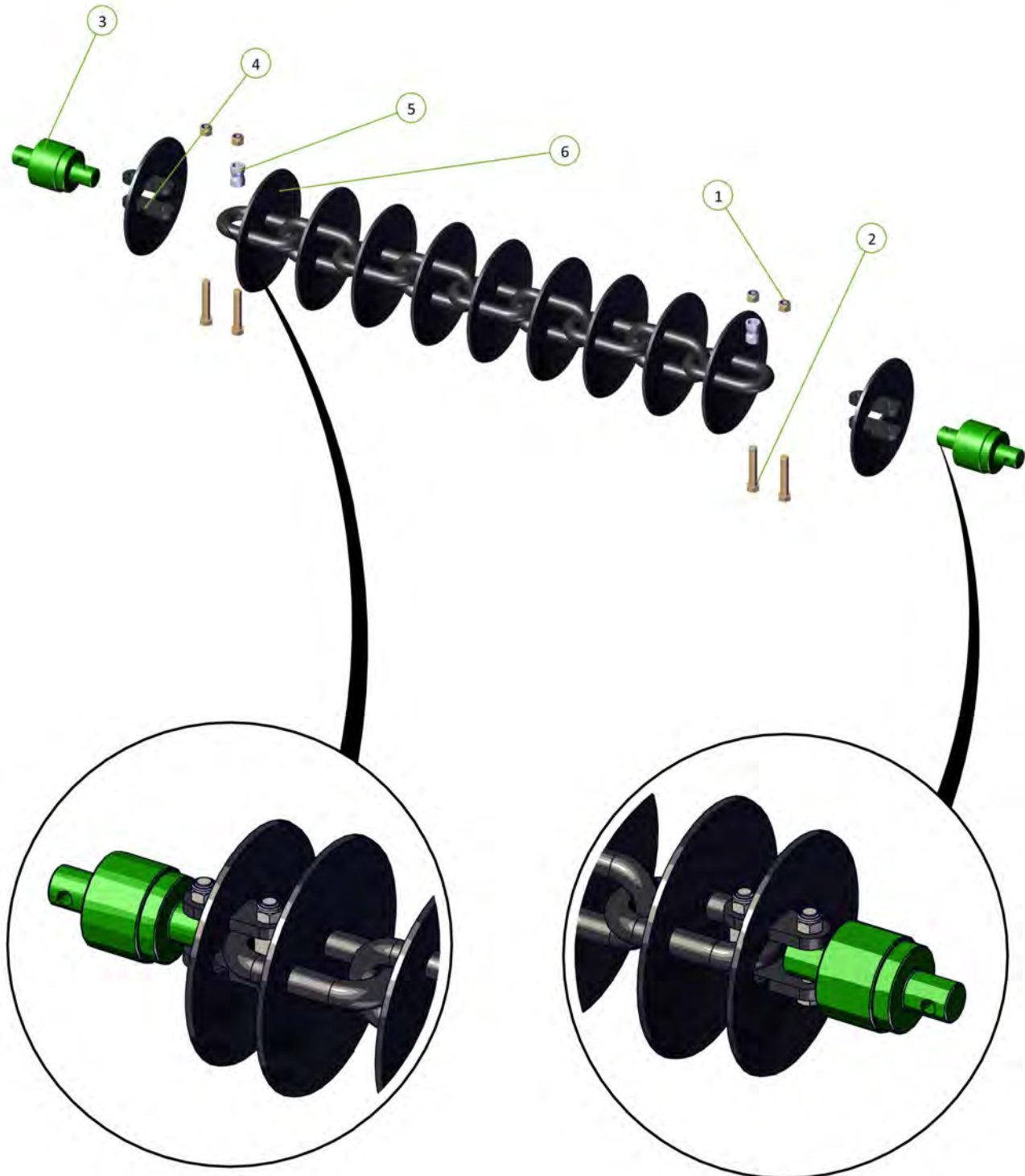
R300 Disc Chain

Item No.	Description	Number
1	Nyloc Nut M20	0221-NYL20
2	M20 x 110 Class 10.9 ZP Short Thread Bolt	0211-20110ST
3	20mm Bolt Swivel Unit	0802-PCHB55
4	Tie Plate Disc 20mm	0802-DCTP-20
5	Disc Chain Spacer	0801-253755
6	R300 Chain Link	0803-R300



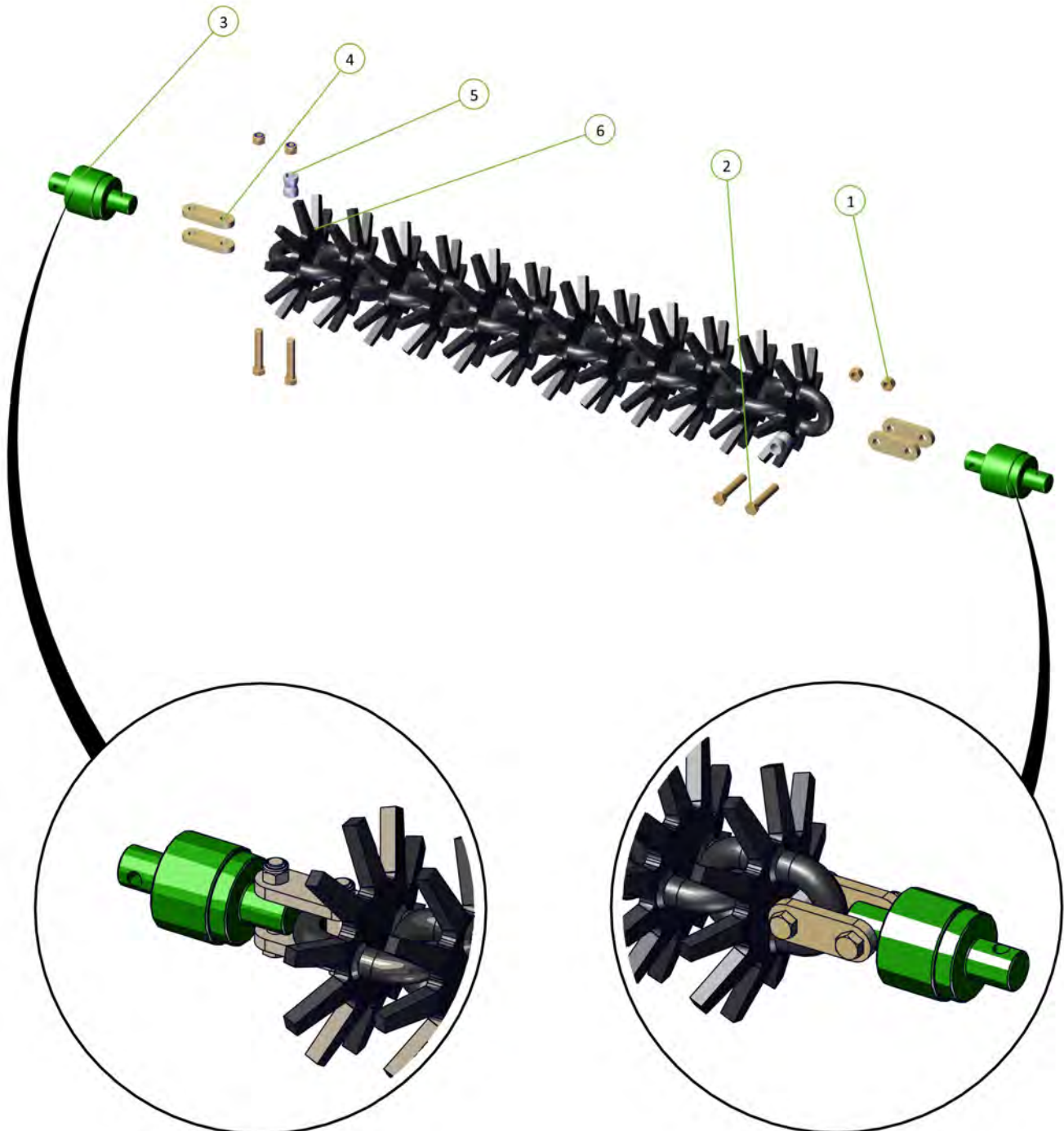
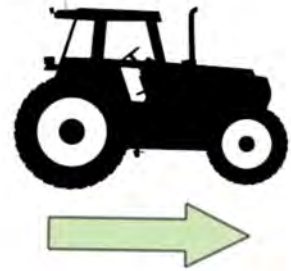
W36 Disc Chain

Item No.	Description	Number
1	Nyloc Nut M20	0221-NYL20
2	M20 x 110 Class 10.9 ZP Short Thread Bolt	0211-20110ST
3	20mm Bolt Swivel Unit	0802-PCHB55
4	Tie Plate Disc 20mm	0802-DCTP-20
5	Disc Chain Spacer	0801-253755
6	W36/25 Chain Link	0803-W36



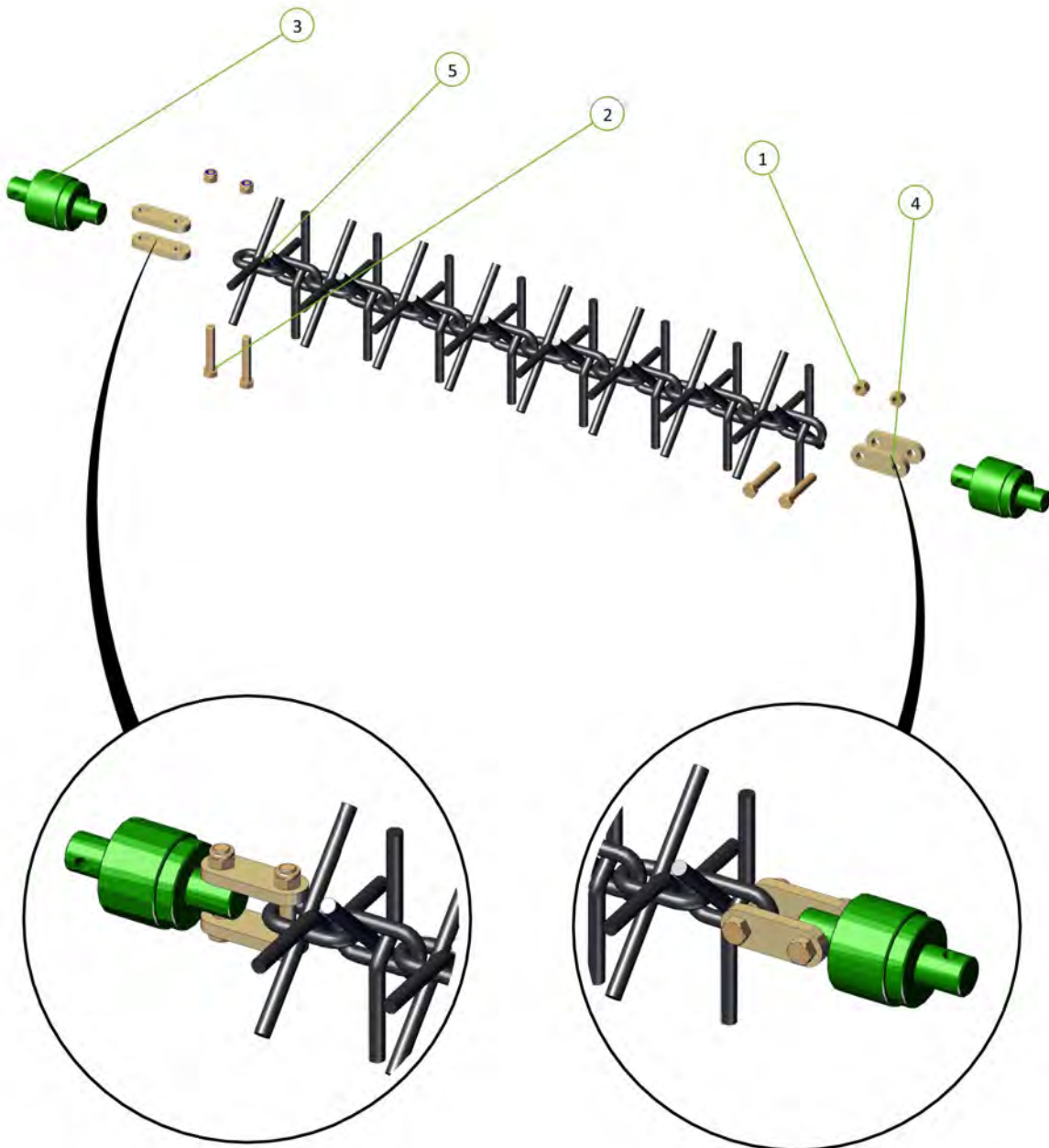
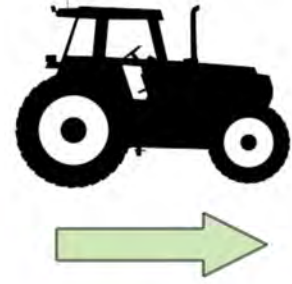
Spike Disc Chain

Item No.	Description	Number
1	Nyloc Nut M20	0221-NYL20
2	M20 x 110 Class 10.9 ZP Short Thread Bolt	0211-20110ST
3	20mm Bolt Swivel Unit	0802-PCHB55
4	Tie Plate For 20mm Bolt	0800-83.2
5	Disc Chain Spacer	0801-253755
6	10 Spike Disc Chain 49/27/5	0803-SD49



Prickle Chain

Item No.	Description	Number
1	Nyloc Nut M20	0221-NYL20
2	M20 x 110 Class 10.9 ZP Short Thread Bolt	0211-20110ST
3	20mm Bolt Swivel Unit	0802-PCHB55
4	0800-83.2	0800-83.2
5	Prickle Chain	0803-PCH





Section 7 - Specifications

Operating speeds

Operating speeds for normal conditions	
Chain type	Speed
Prickle Chain	6-10 Mph / 10-16 kmph
Disc Mulch Chain	6-8 Mph / 10-12 kmph
Transport / towing on roads	15 Mph / 25 kmph

Tire pressure

Tire size	Ply	PSI	KPA
16.5L x 16.1	14	36	250
H40 x 14.5-19	26	60	410
11L - 15	10	44	300
15.5/80/24	16	58	400
16.5/85/24	16	55	380
550/60/22.5	16	40	280
400/60/22.5	16	50	350
12.5/80/18	14	85	590
15.0/70/18	14	71	490

Chain Harrow specifications

Model	Model 6218HDX
Working width	59.4'/18.1m
Transport width	16.5'/5.0m
Transport height	15.7'/4.75m
Transport length	77.2'/22.0m

Disc Chain Lengths

Model		Length	CL2	CL1	K4	W36	R300	SD49	Prickle chain
			CL2 disc chain also requires CL1 disc chain						
6218HDX	Front right	38' 0.30" / 11.59m	CL2 - 52 CL1 - 2	71	73	68	93	93	129
	Front left	37' 5.21" / 11.41m	CL2 - 51 CL1 - 2	70	72	67	91	91	127
	Rear right	45' 6.85" / 13.89m	CL2 - 52 CL1 - 16	85	88	81	111	111	154
	Rear left	37' 9.15" / 11.51m	CL2 - 52 CL1 - 2	70	73	67	92	92	128
	Modules front	11' 3.83" / 3.46m	CL2 - 14 CL1 - 3	21	22	20	27	27	38
	Modules rear	11' 3.83" / 3.45m	CL2 - 14 CL1 - 2	21	22	20	27	27	38

For correct chain tension, chain links may need to be removed from the end of the chain as follows:

CL2 Disc Chain - unhook disc chain link/s from end of the disc chain

CL1 Disc Chain - unhook disc chain link/s from end of the disc chain

K4 Disc Chain - unhook disc chain link/s from end of the disc chain

Spiked Disc Chain - cut a disc chain link from the end of the disc chain

R300 Disc Chain - cut a disc chain link from the end of the disc chain

W36 Disc Chain - cut a disc chain link from the end of the disc chain

Prickle Chain - cut a prickle chain link from the end of the prickle chain



Section 8 - Operation

Basic Operation

Unfolding:

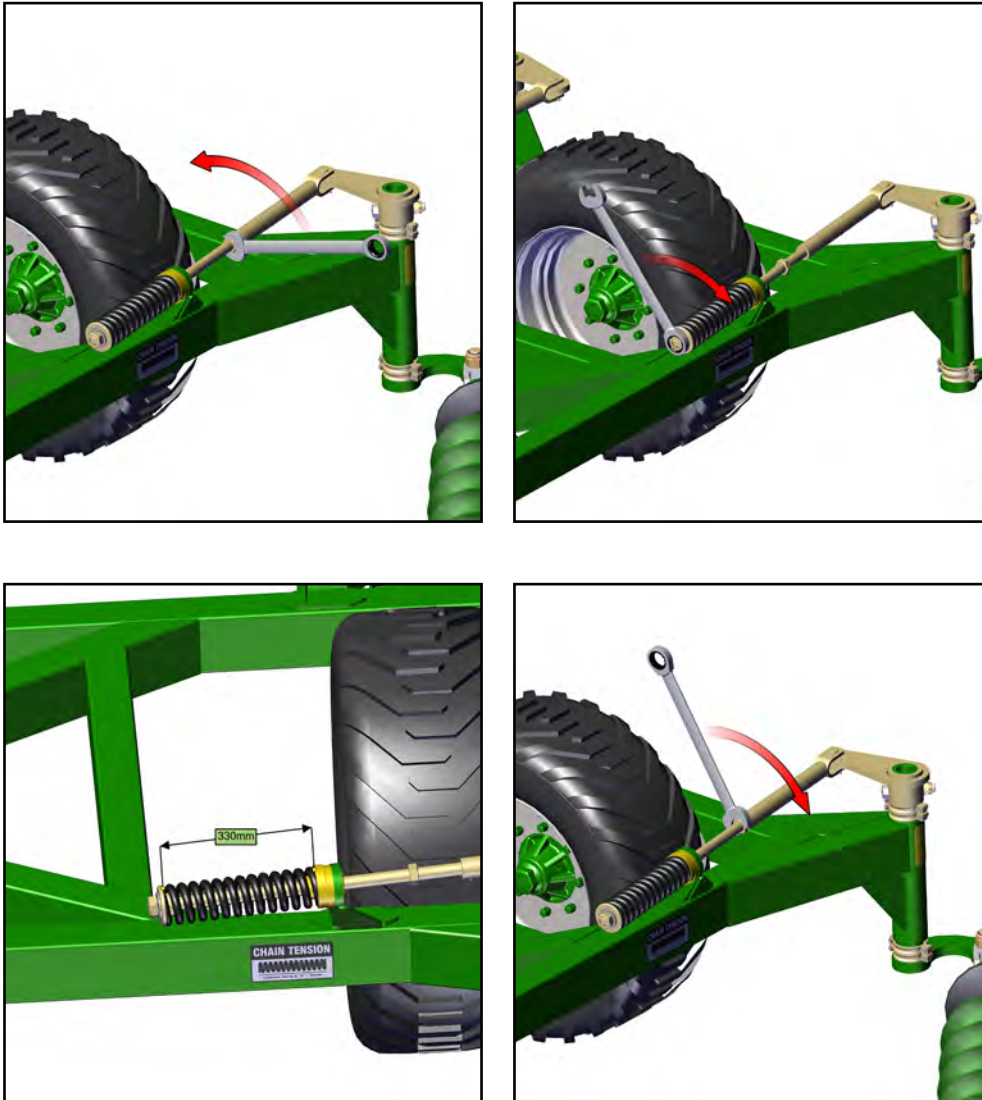
1. Walk around and inspect the machine.
 - a. Check that chains are not hooked on framework
 - b. Check swivel units are in place and not broken
 - c. Check that height adjusting chains have not fallen out of their slotted plates during transport.
 - d. Ensure front lift cylinder depth stops are fully engaged on cylinder shaft.
2. Lower front A frame to working height.
3. Unfold wings holding the hydraulic lever until both the main center cylinder pins have centered in their slots. (If chain pulls tight during unfold, stop and inspect if chain is hooked)
4. Lower rear tail by holding hydraulic lever until tail and modules are completely lowered to working position.
5. Walk around and check that all chain links are straight and that working height of all swivels is correct for field conditions. Adjust if necessary.
6. Move off with all chains in working position. If necessary it is acceptable to raise front A frame to transport height. This will lift the front chains off the ground and reduce the load on the tractor. Lower the front A frame once moving satisfactorily.

Folding:

1. Lower the front A frame at working height. (This is important to ensure that all chains locate correctly in their transport rests).
2. Raise the Rear Tail and modules by holding the hydraulic lever until they come to a complete stop.
3. Fold the wings. They should move as follows; main center cylinders will retract, one or both, until the wings stand vertically. The left outer wing then the right outer wing will fold down.
4. Raise front A frame to transport height.
5. Walk around and check that chains have located correctly in transport rests.

Chain Tension - Wings

Use the spanner supplied. Loosen the lock nut adjacent to the tensioner assembly body. Turn the tension bolt clockwise to compress the coil spring. Correct tension is achieved when spring retains its set length when operator rolls the chain fore and aft on the ground. Retighten the lock nut.



Spring Compression Length

Compress spring to 12.4" (330mm)

When less than 4" (100mm) of thread remains visible on the adjustor bolt then a link must be removed from the chain.

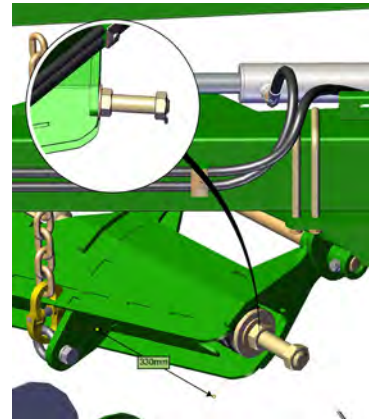
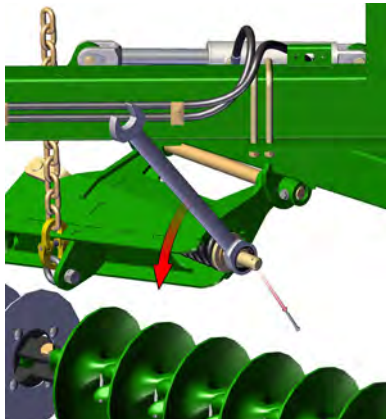
Modules

Loosen the lock nut on the draw bolt.

Tighten the adjusting nut clockwise until the outer face of the spring retaining washer is flush with the body of the module tensioning unit.

Retighten the lock nut.

If more than 8" (200mm) of thread is exposed then a link should be removed to maintain correct adjustment.



Importance of chain tension

Operational

It is imperative that the correct adjustment be maintained. Only through correct adjustment can a smooth and level finish be achieved in field working.

Loose chains lead to :

- Uneven performance across the width of the machine
- Uneven weed control
- Unsatisfactory incorporation
- Ineffective levelling
- Accelerated or premature chain wear
- Chains failing to engage with transport locators when folded
- Machine damage when folding or unfolding
- Uneven field surface with ridges and furrows being created. The leading 1/3rd of a loose chain is much more aggressive than the trailing 1/3rd and the center. This will mean that middle of the machine's front pair of chains will aggressively move soil outwards. The machine's rear pair of chains, if loose, have their aggressive 1/3rd near the wing extremity. It follows then that as the front discs push soil outwards, the least aggressive portion of the rear chain follows them and does not balance the soil movement. This is exacerbated at the wings, effectively creating a broad ridge about halfway out each wing. It won't be evident in one pass, but is possible if care is not taken over time.

A correctly adjusted machine will not cause this phenomenon.

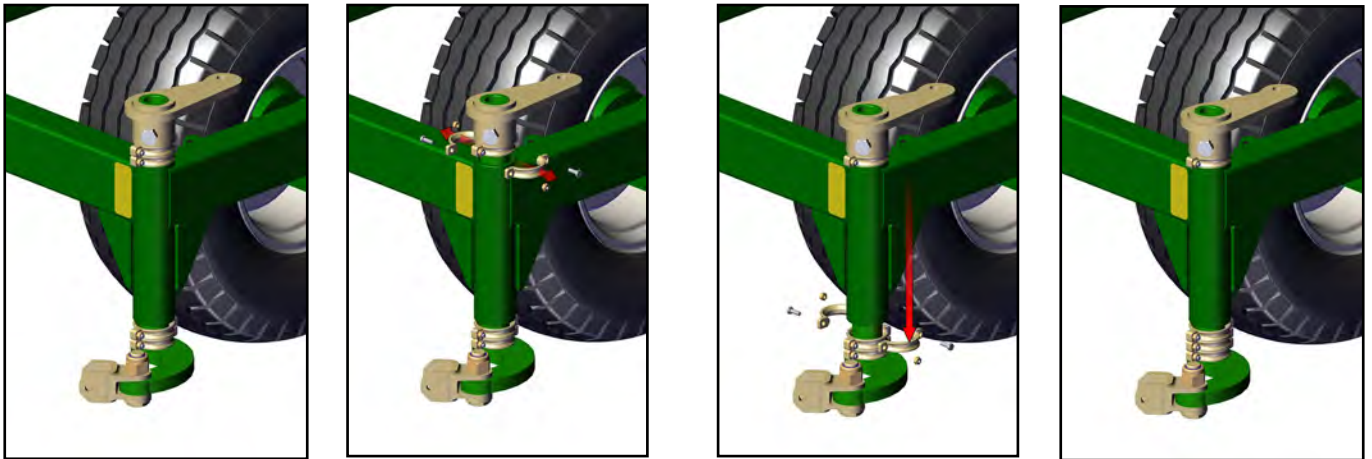
Settings for correct working height

To adjust the swivel height at the wings, relocate one pair of the spacers either above or below the fixed mounting tube.

Adjustment

1	Loosen chain tension completely
2	Undo 2 x M10 bolts from corresponding spacer set and take the two halves off of the drop leg tube
3	Replace it in the selected position after raising or lowering the drop leg
4	Reinstall the M10 bolts and re-tension the chain

It is possible to install all spacers either above or below the mounting tube giving a maximum of 4" (100mm) of adjustment.





Phone +61 8 8667 2253
Email sales@kellytillage.com
kellytillage.com

Booleroo (Head Office)
684 Kelly Road,
Booleroo Centre SA 5482

Adelaide Office
28 Greenhill Road,
Wayville SA 5034

