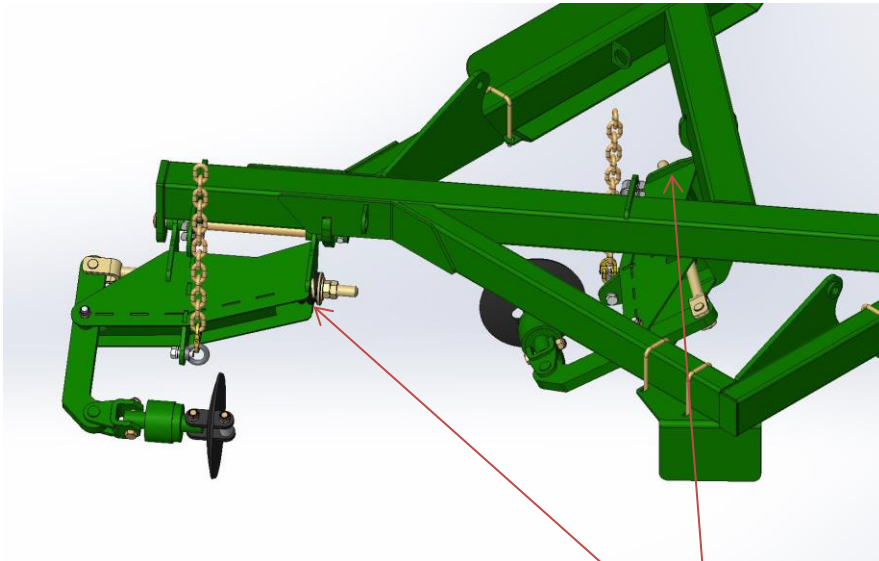


Tail Tension Update

Page 1 of 2

Kelly Diamond Harrows manufactured after 1st July 2014 and before 12th January 2015(serial numbers #11501-## to #115198-60) have been fitted with a rear chain tensioning system. Kelly Engineering has become aware of an issue that can arise with this system. When folding the machine it is possible for the tension spring to become compressed to a point where it becomes stuck behind the pivot plate of the tension box as shown below.



Solution

For machines with this problem Kelly Engineering have come up with a bolt on solution and you will be provided with two extra parts part number 0810-1013-1 (Module Tension Spring Slide) these are to be installed on the rear tension rods as shown below.

