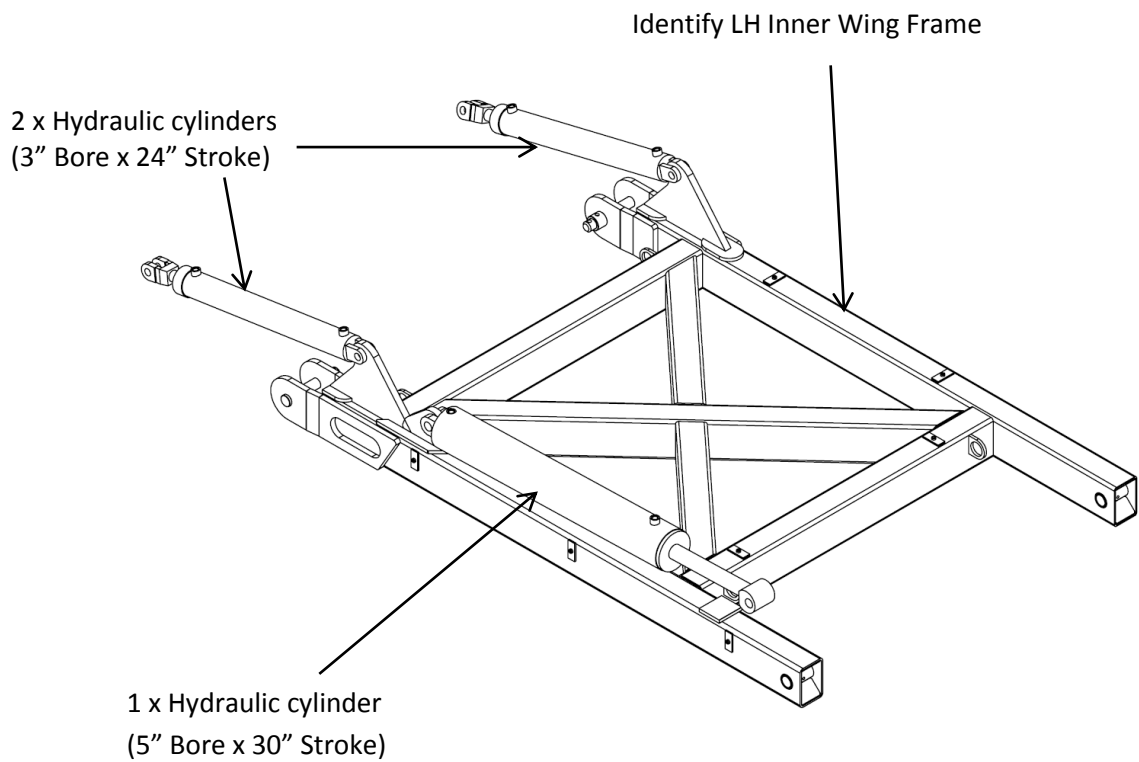
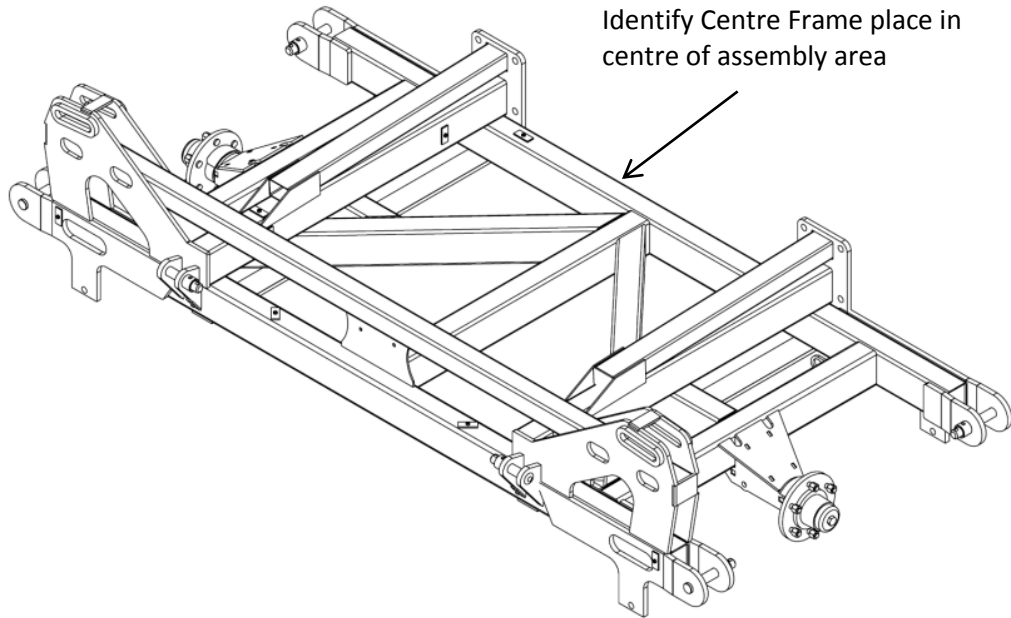


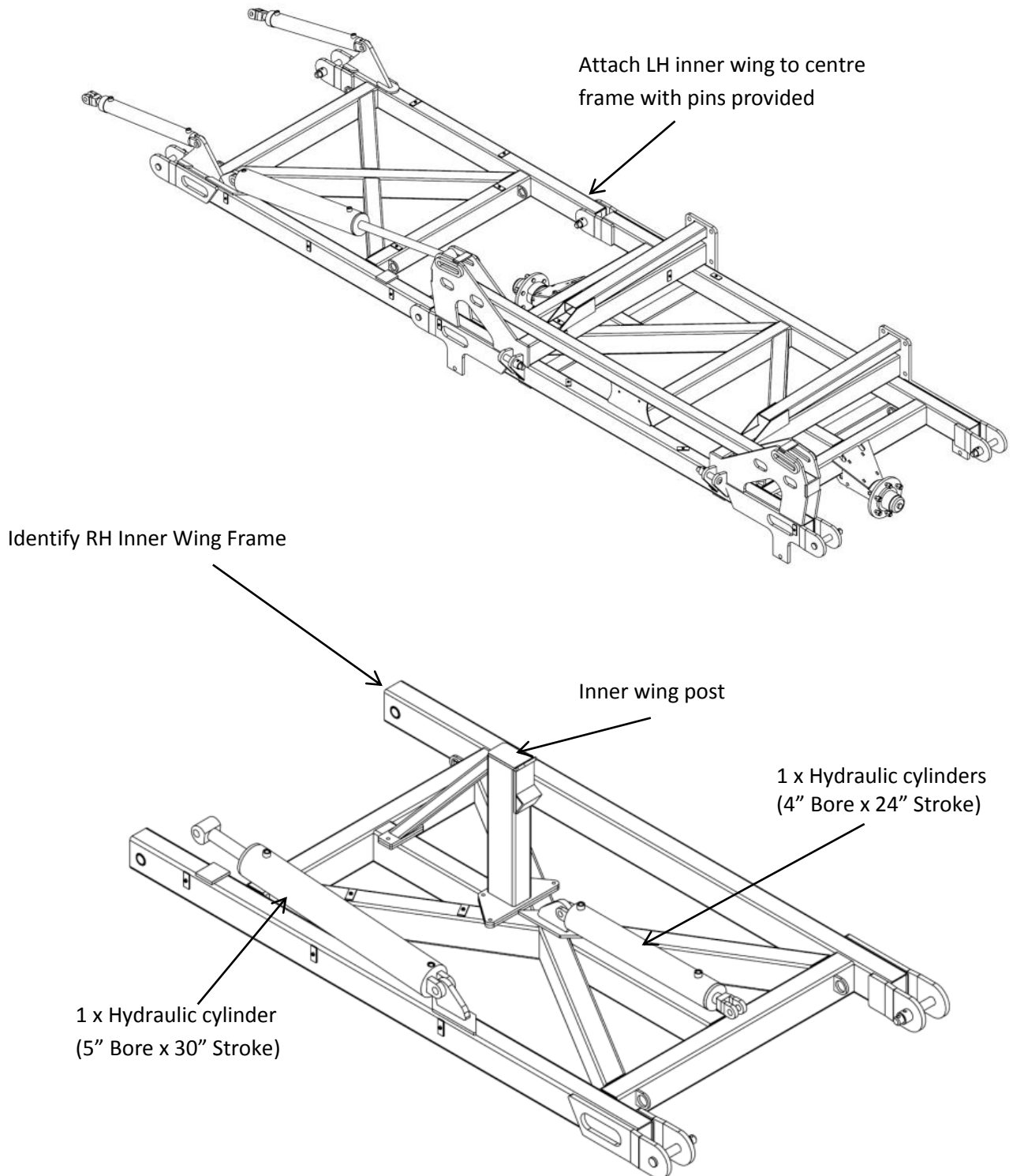
40' Supplement

NOTE; this supplement is to be used in conjunction with the 45R assembly manual



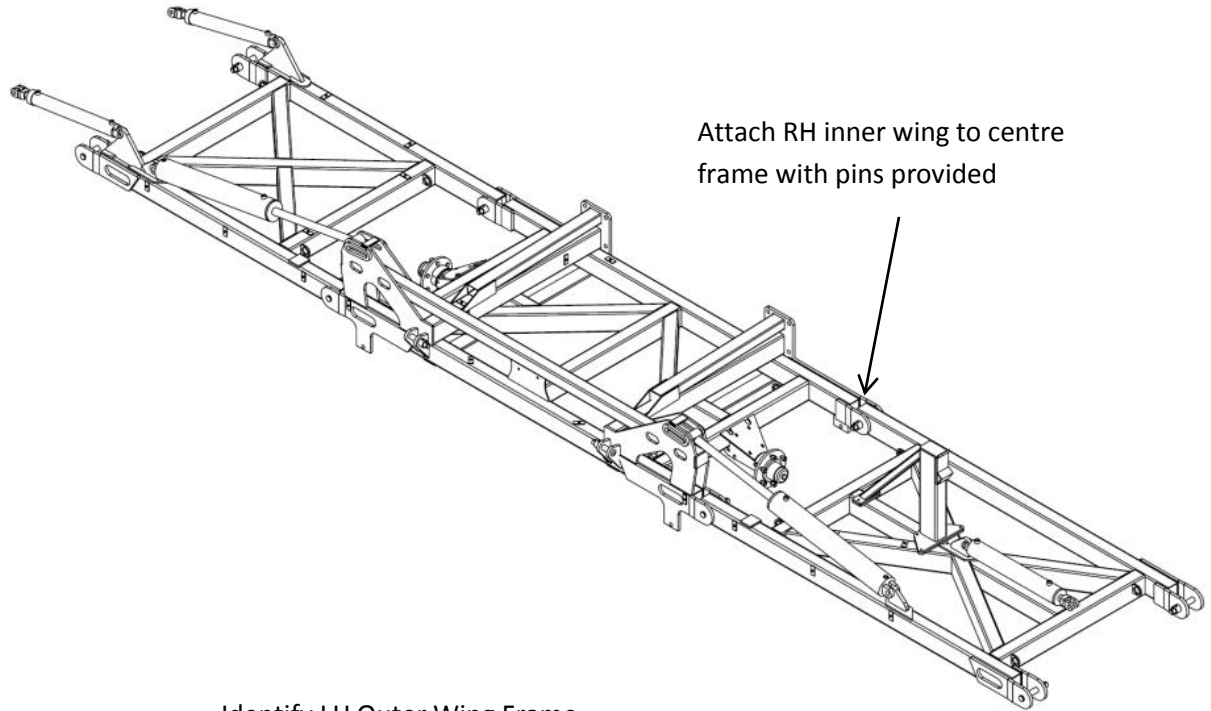
40' Supplement

NOTE; this supplement is to be used in conjunction with the 45R assembly manual

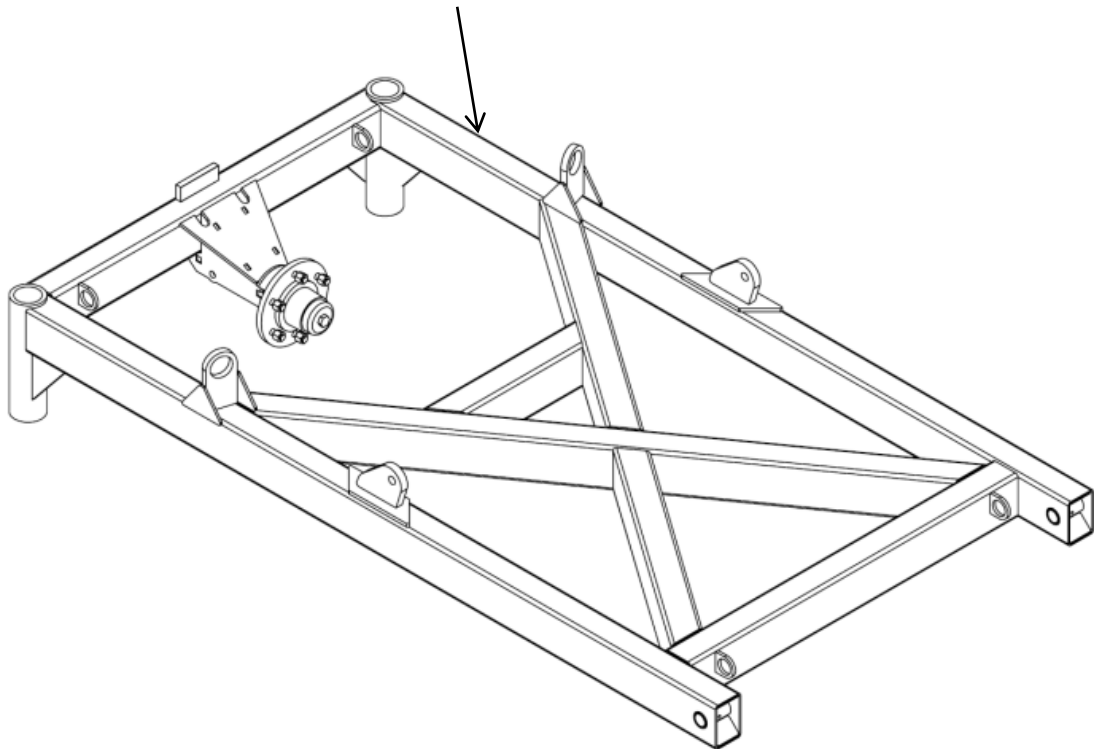


40' Supplement

NOTE; this supplement is to be used in conjunction with the 45R assembly manual

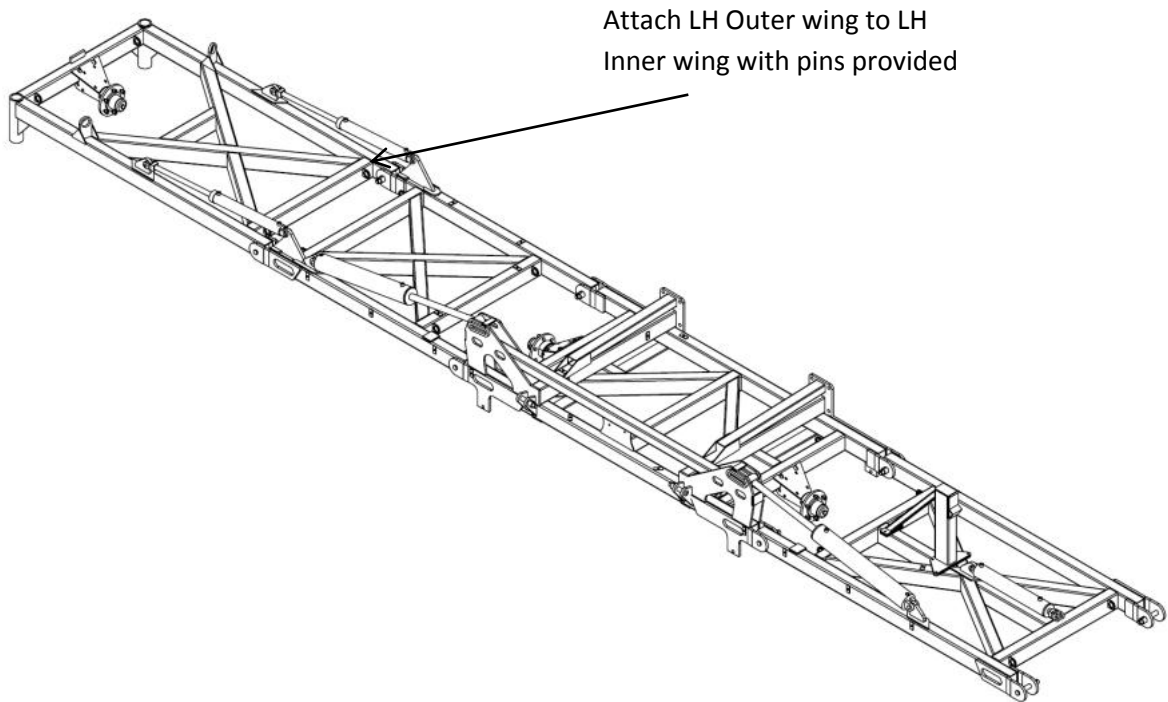


Identify LH Outer Wing Frame

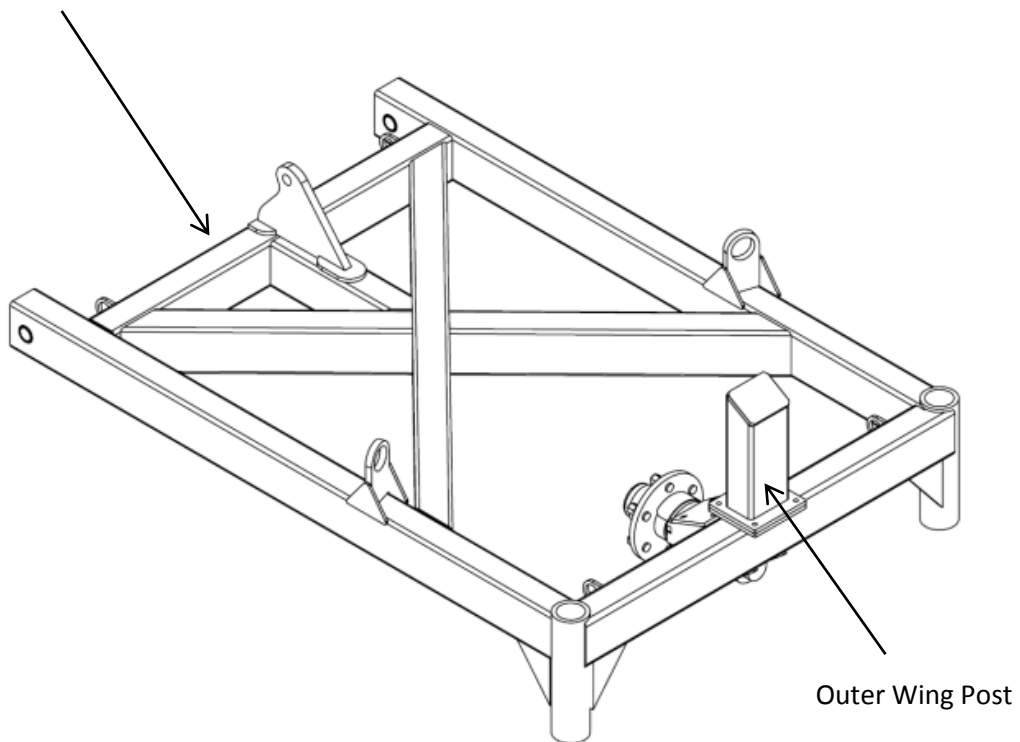


40' Supplement

NOTE; this supplement is to be used in conjunction with the 45R assembly manual

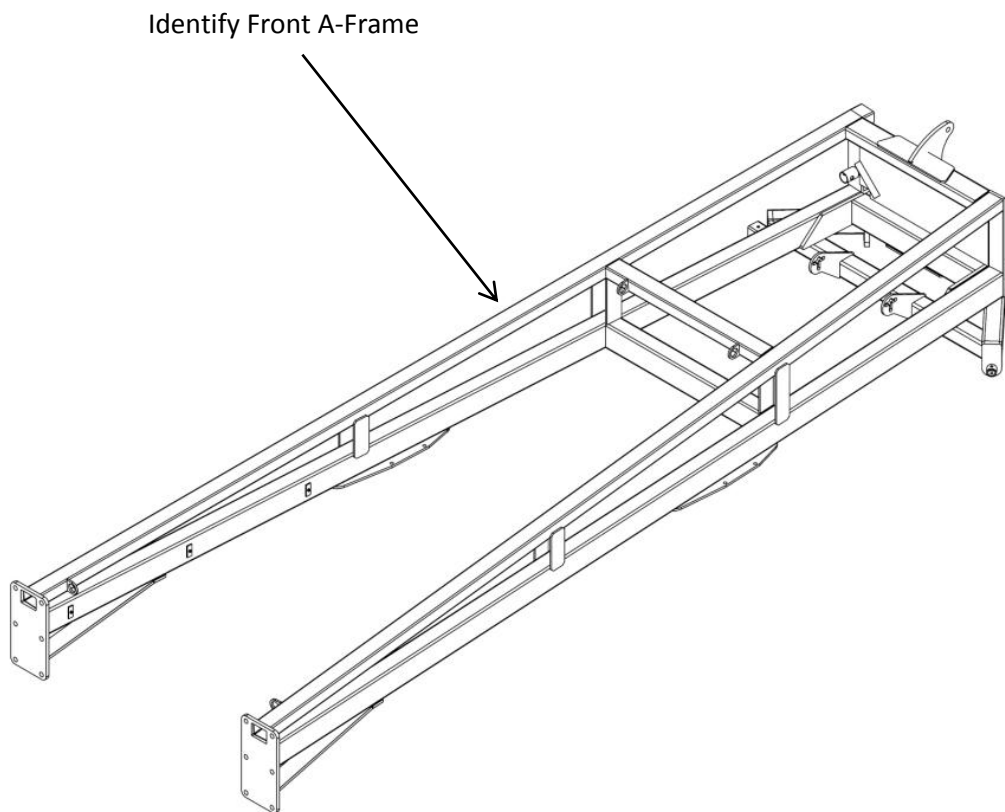
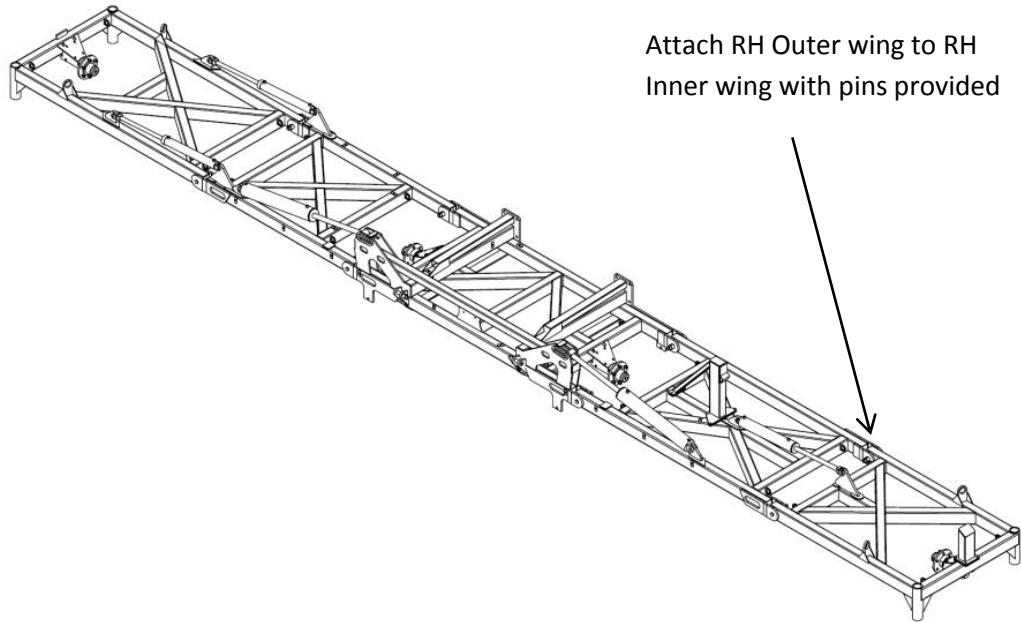


Identify RH Outer Wing Frame



40' Supplement

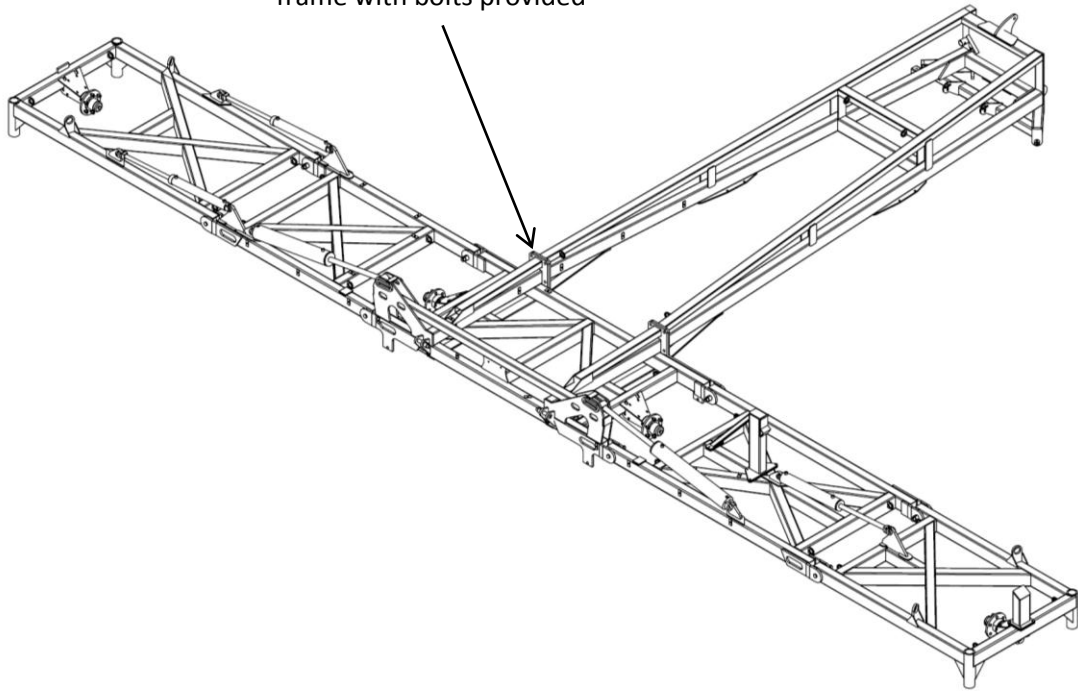
NOTE; this supplement is to be used in conjunction with the 45R assembly manual



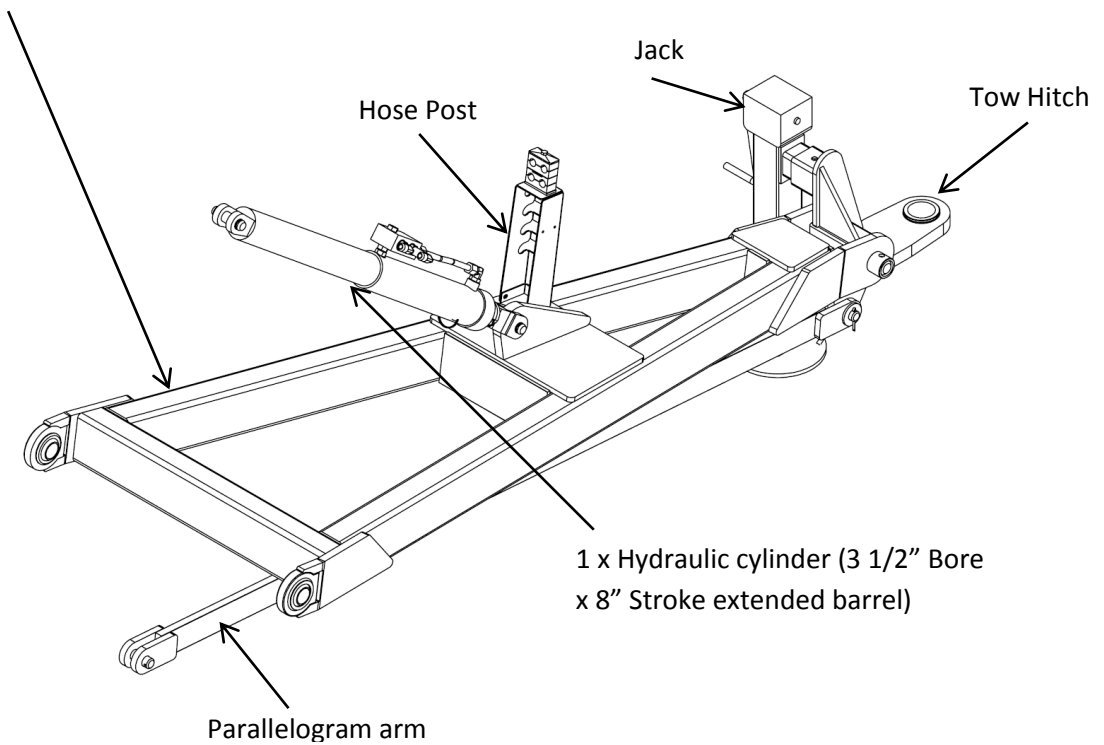
40' Supplement

NOTE; this supplement is to be used in conjunction with the 45R assembly manual

Attach Front A-Frame to centre
frame with bolts provided



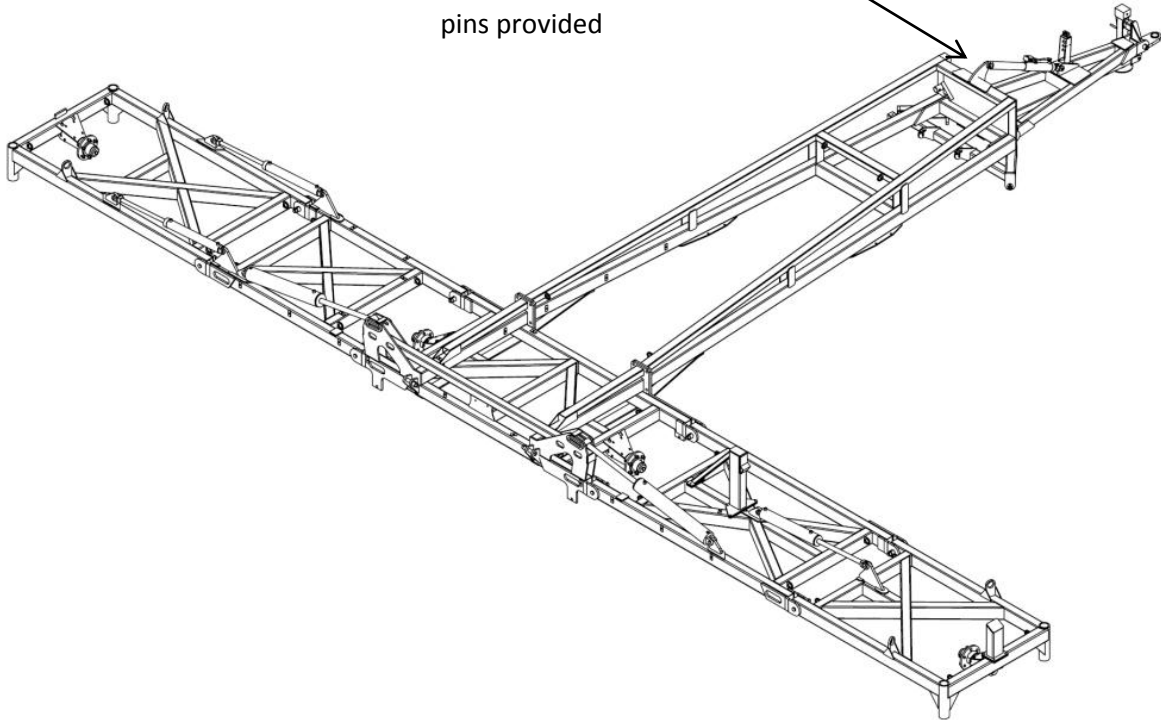
Identify Drawbar frame



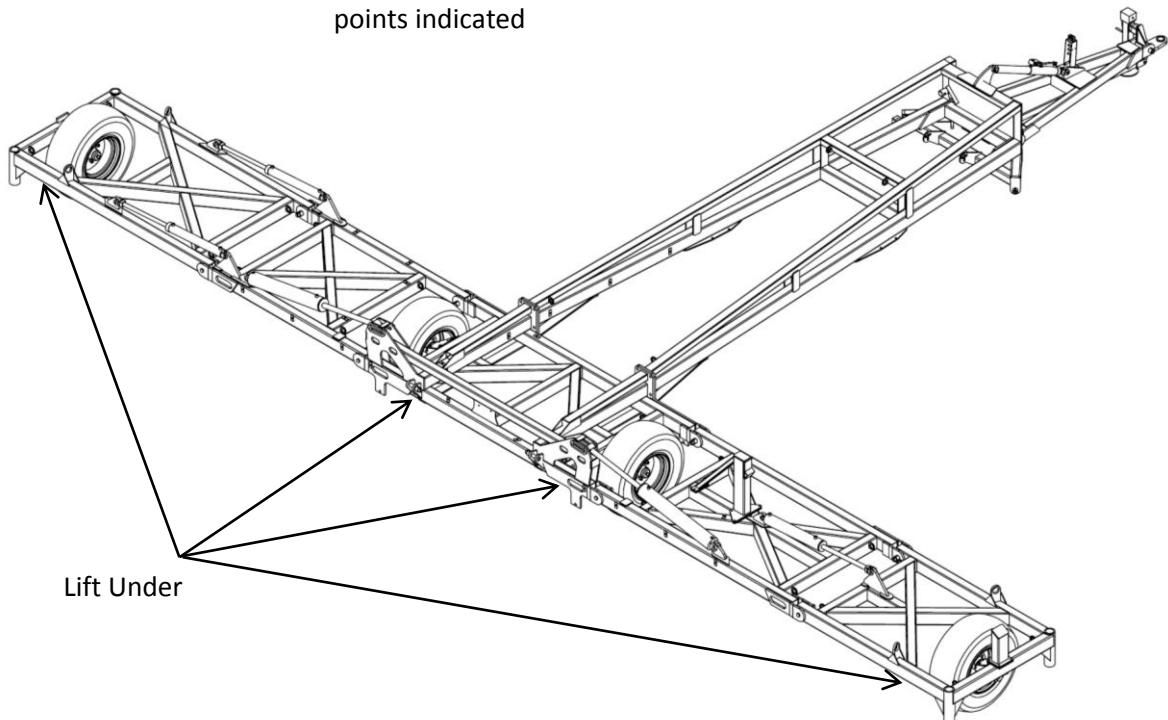
40' Supplement

NOTE; this supplement is to be used in conjunction with the 45R assembly manual

Attach Drawbar frame assembly to front a-frame using pins provided

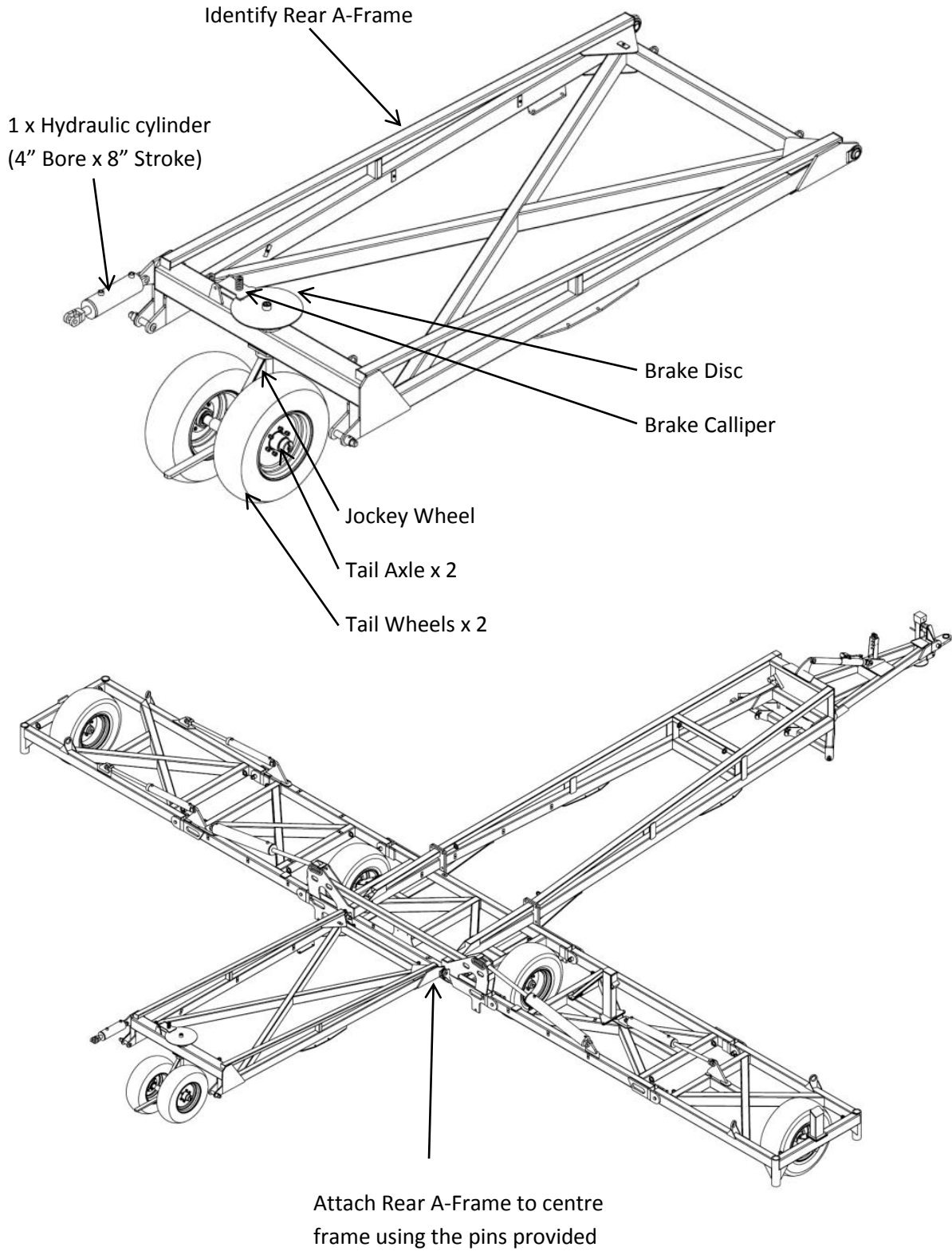


Fit Wheels by lifting under points indicated



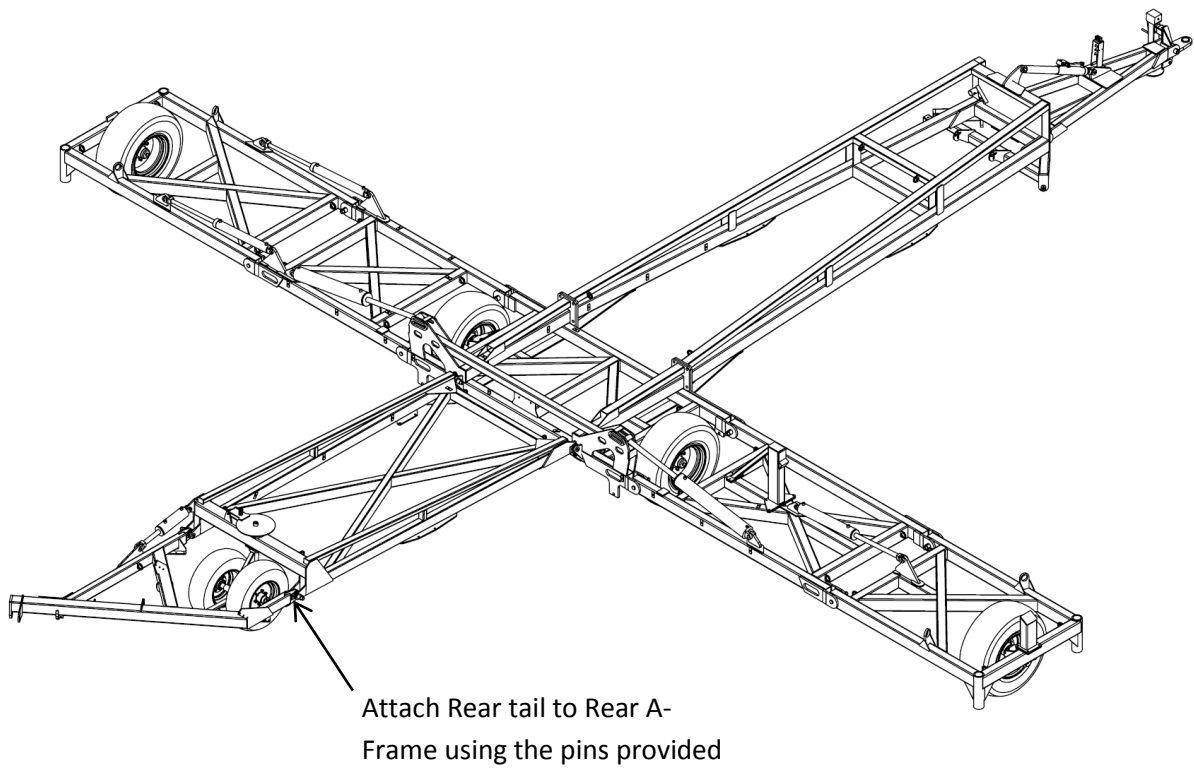
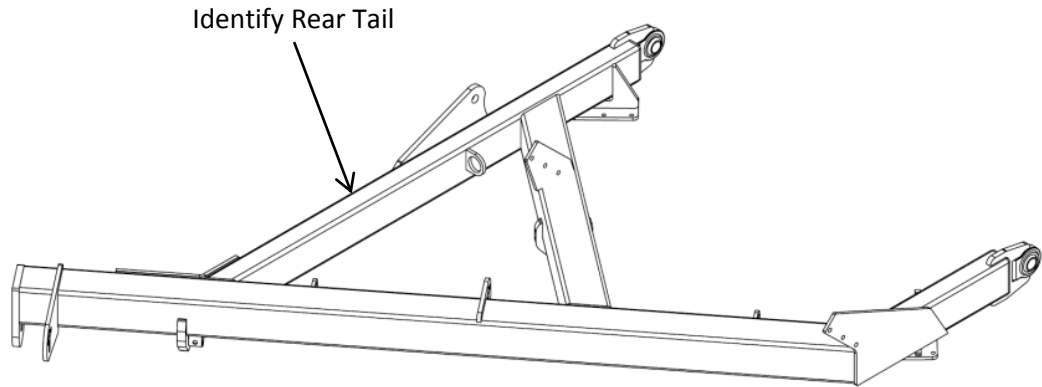
40' Supplement

NOTE; this supplement is to be used in conjunction with the 45R assembly manual



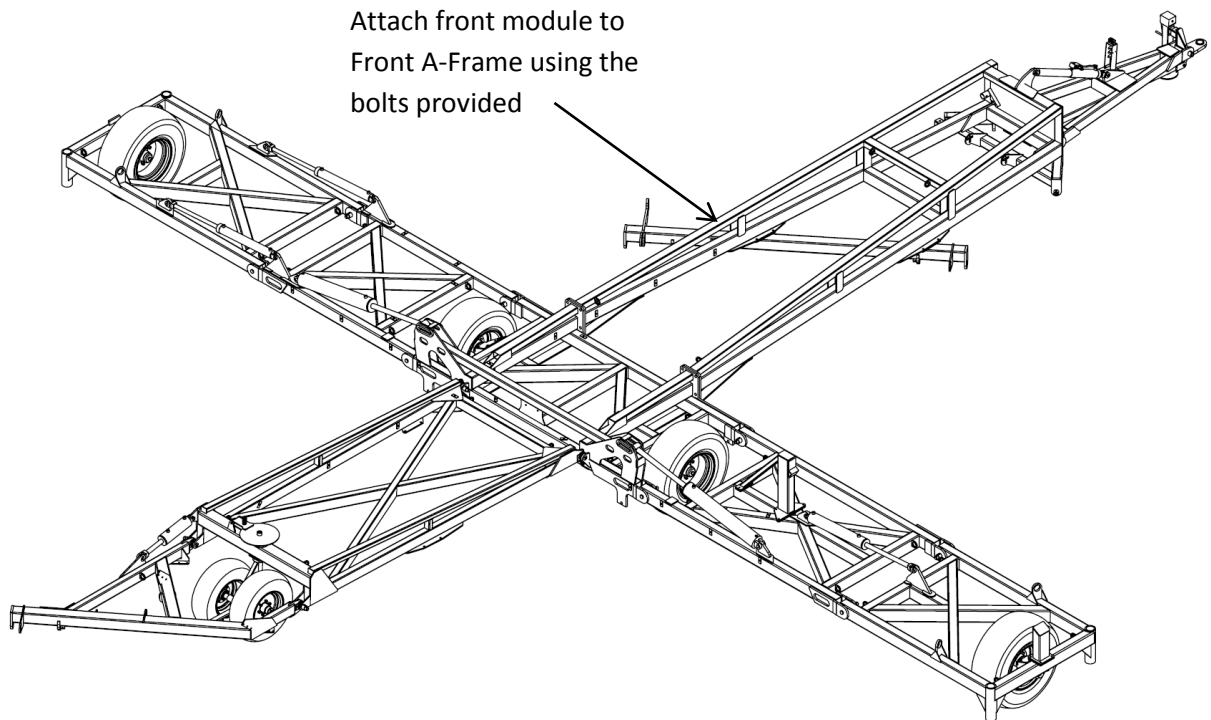
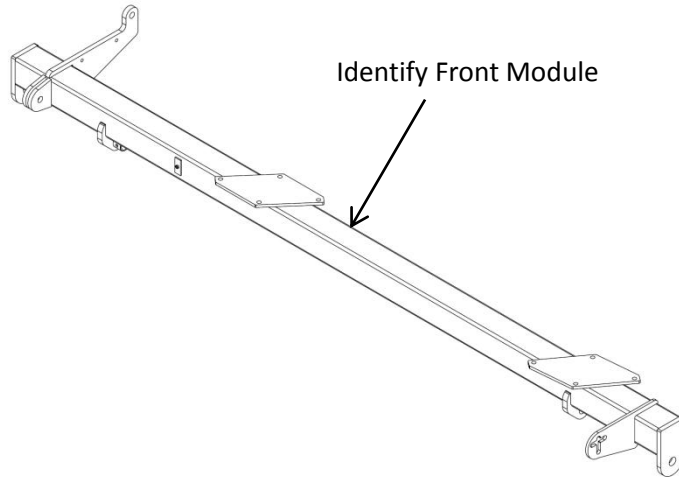
40' Supplement

NOTE; this supplement is to be used in conjunction with the 45R assembly manual



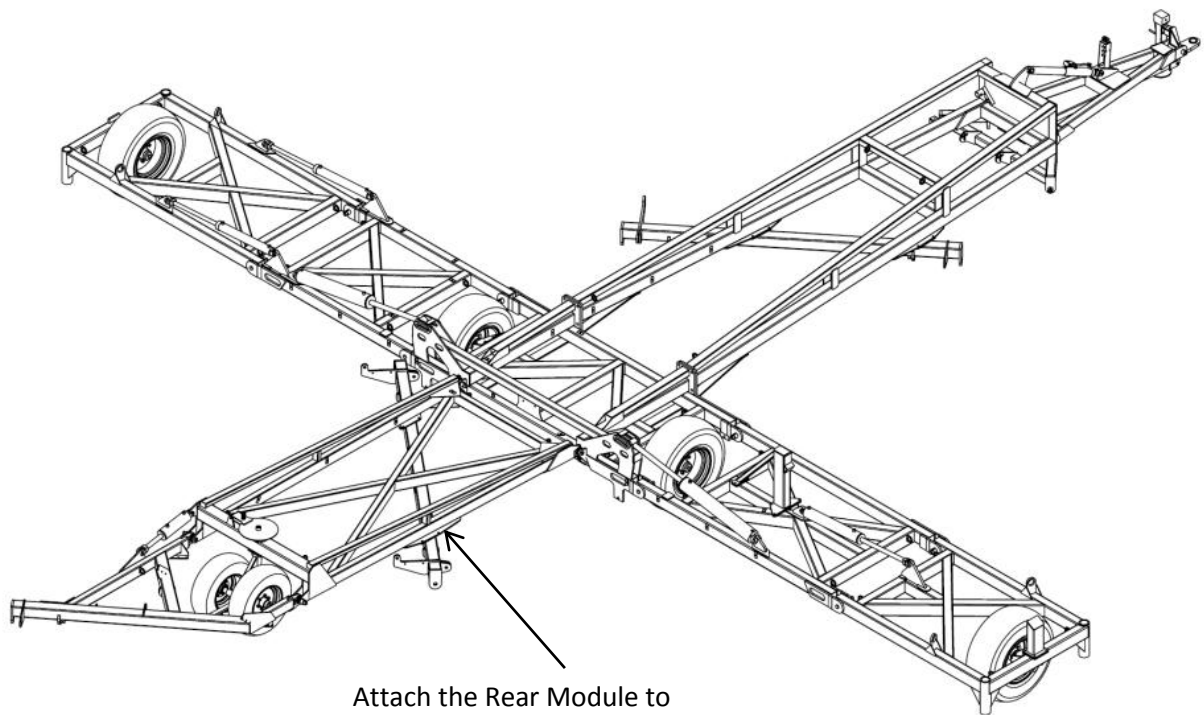
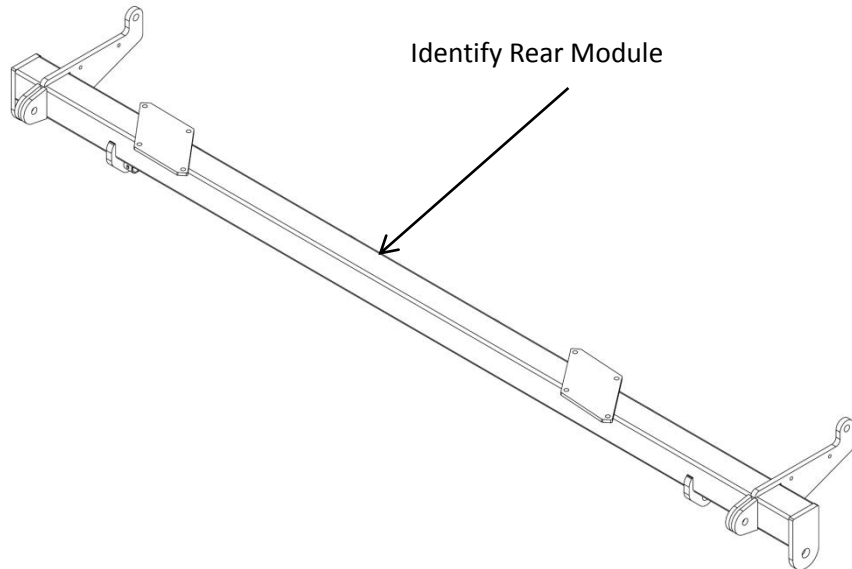
40' Supplement

NOTE; this supplement is to be used in conjunction with the 45R assembly manual



40' Supplement

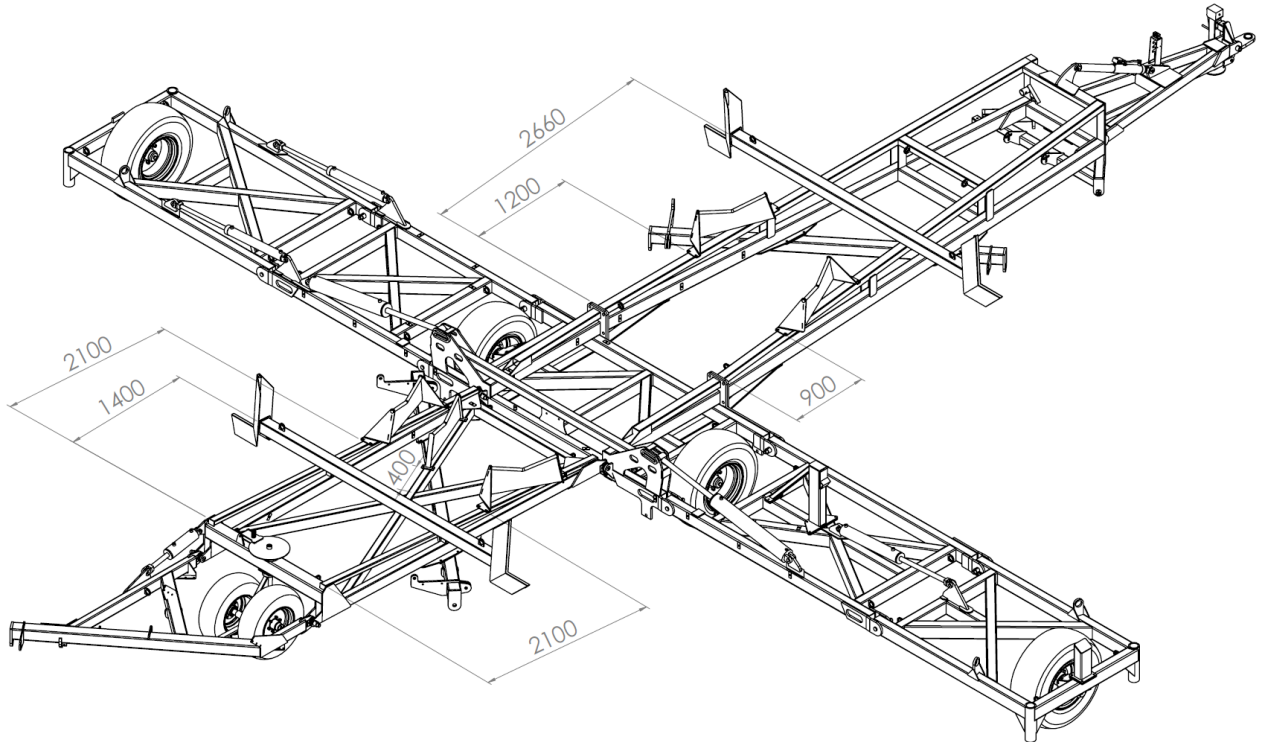
NOTE; this supplement is to be used in conjunction with the 45R assembly manual



40' Supplement

Page 12 of 13

NOTE; this supplement is to be used in conjunction with the 45R assembly manual



Set up the M's And Chain carrier beams as shown above NOTE these measurements are to be used as a guide only and may need to be fine-tuned to catch the chain securely.

Please refer back to the 45R assembly manual for chain mount, drop leg and chain tensioning instructions

Please refer to following page for hydraulic hose layout

40' Supplement

NOTE; this supplement is to be used in conjunction with the 45R assembly manual

