

## Recommended Machine Unloading Procedure

The team at Kelly have provided some tips for safe and easy unloading of your new Kelly Tillage System.

You will require:

- Suitable tractor with working brakes & hydraulics to tow the machine from the trailer.
- Lifting capacity of minimum 1500kgs, for removing the chain cages.
- NO unloading ramp is required.

### Prior to the Driver lowering the trailer:

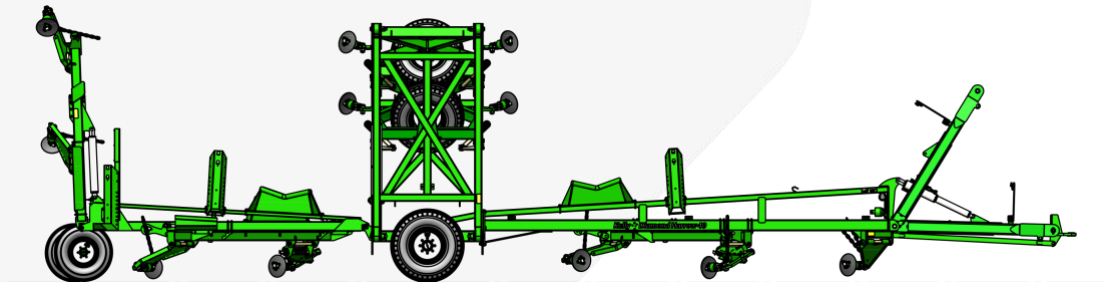
1. Untie and remove cages & stillages of chain from the trailer. Maximum stillage weight is 1500kgs.
2. Remove any other items, additional chain or crates, stored on the tray.

### Driver lowers the front of the trailer and positions additional ramps:

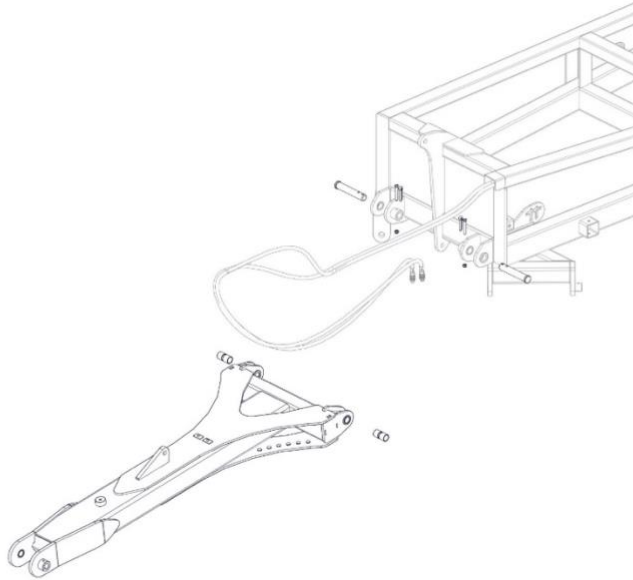
3. Install front hitch, including hydraulic cylinder and parallel arm.
4. Unstrap and unchain at all points, **EXCEPT** 2 chains or straps from the axles to stop machine from rolling forward.
5. Connect the tractor to the machine hitch.
6. Release the final holding chains/ straps.
7. Front hitch is lifted by the tractor hydraulics to remove supports from under the Kelly Frame.
8. Tow machine off the trailer.

Approximate Bare Machine Weights as below.

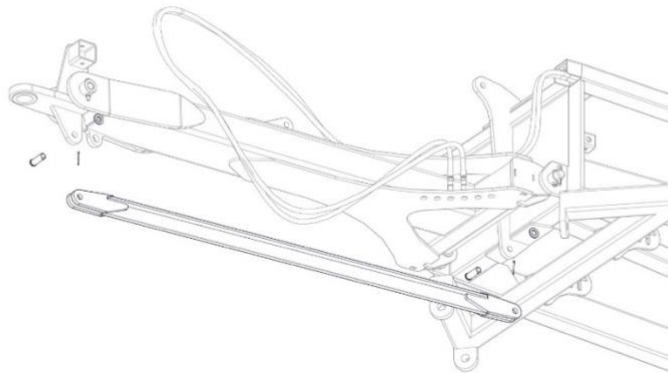
Model	Est. Bare Weight	Model	Est. Bare Weight
3009 KDH	4650 Kgs	6218CT KDH	10,000 Kgs
40 KDH	5550 Kgs	6218 HDX	13,500 Kgs
4614 KDH	8200 Kgs		



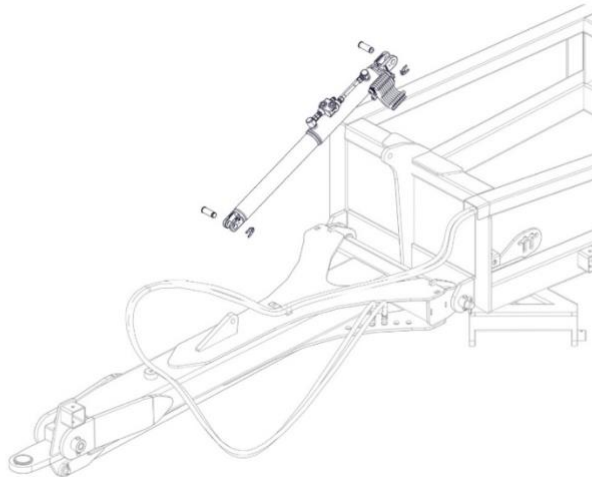
3a



3b



3c



3d

