



Kelly Diamond Harrow

Parts Manual

Model 62HDX

KEPA - 62
Issue B

Kelly Tillage

PO Box 100

Booleroo Centre SA 5482

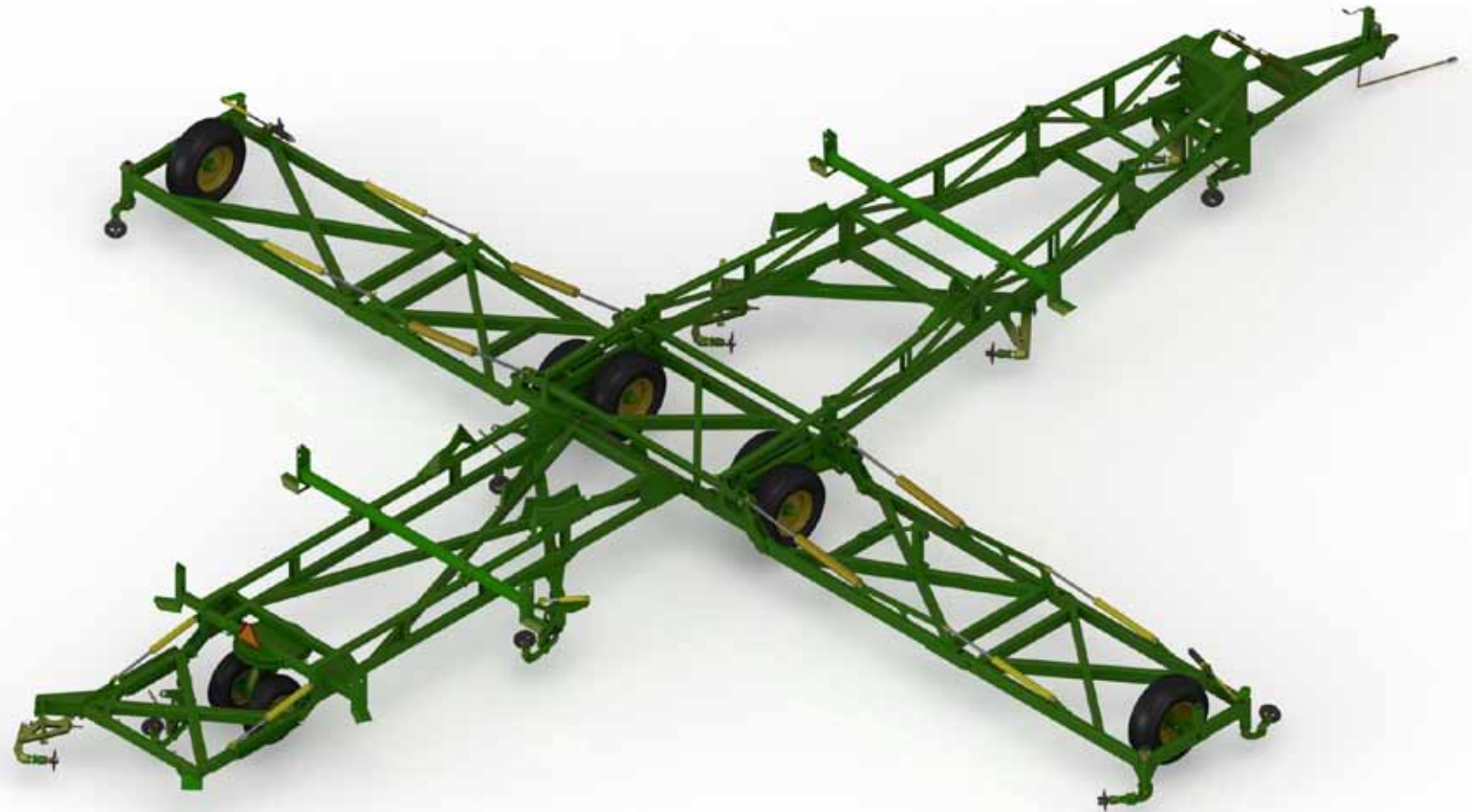
Australia

Phone: + 61 8 8667 2253

Fax: + 61 8 8667 2250

Email: sales@kellytillage.com

Website: www.kellytillage.com



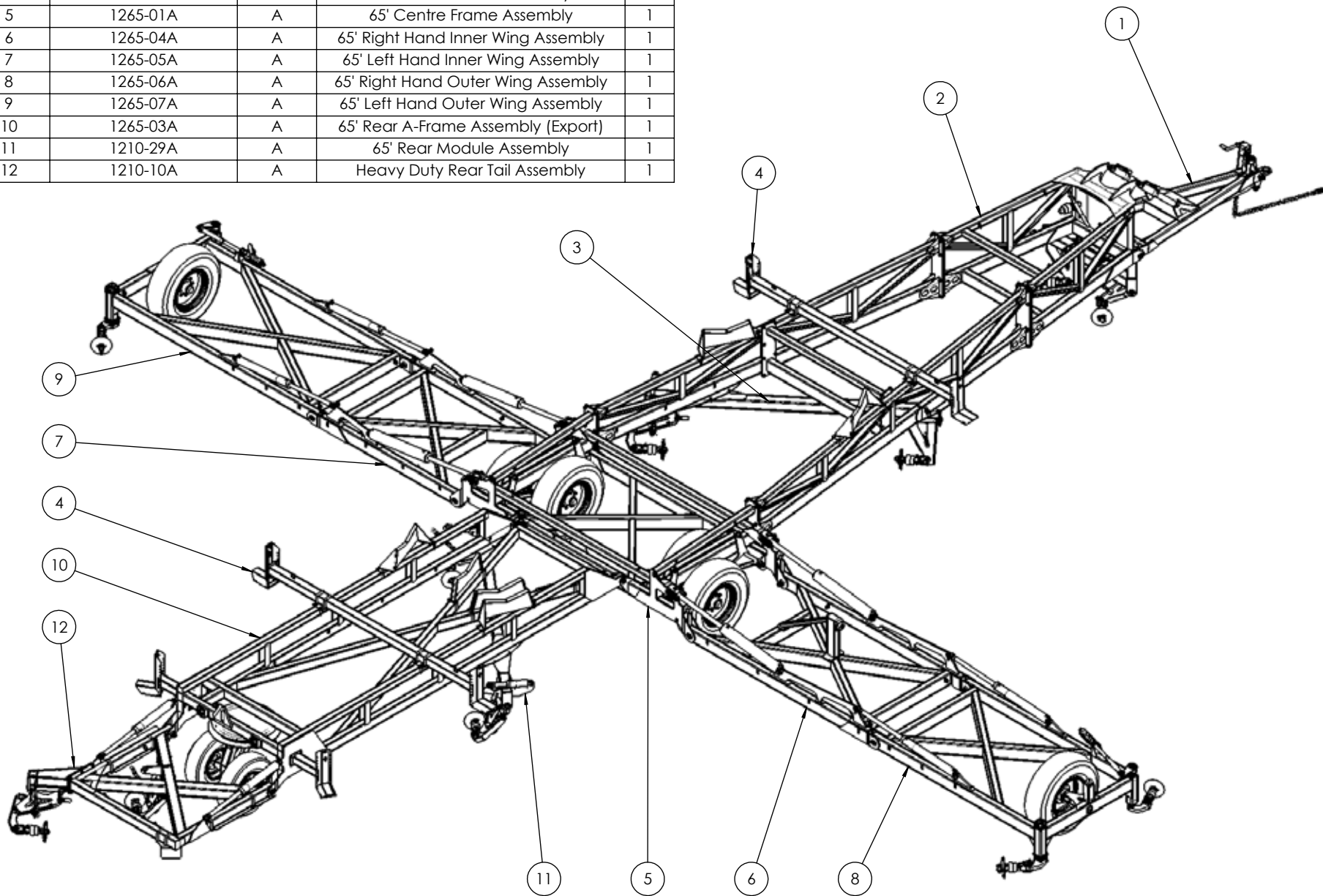
KELLY DIAMOND HARROW
MODEL 62HDX
18m Controlled traffic ready
Contour master - High clearance
Super Duty

Contents

- 1.1 **1210-08A (Heavy Duty Drawbar Assembly)**
- 1.2 1210-75A-12 (Hyd Jack Assembly 65'/80')
- 1.3 0311-412EXT (4" Bore 12" Stroke 1.75" Rod Extended Hyd Cylinder)
- 1.4 0810-16 (Safety Chain Assembly)
- 1.5 1210-09A (Heavy Duty Tow Hitch Assembly)
- 1.6 1210-22A (Parallelogram Link Assembly)
- 2.1 **1265-02A (62 HDX Front A-Frame Assembly)**
- 2.2 0802- PCHB553 (24mm Bolt Swivel Unit)
- 2.3 0810-18R-65 (RH Chain Carrier M Assembly 62 HDX)
- 2.4 0810-19L-65 (LH Chain Carrier M Assembly 62 HDX)
- 2.5 1210-20-553 (PCHB553 Chain Mount Assembly)
- 3.1 **1210-28A (62 HDX Front Module Assembly)**
- 3.2 0311-256SP (2.5" Bore x 6" Stroke 1.5" Rod Side Port Cylinder)
- 3.3 0802- PCHB553 (24mm Bolt Swivel Unit)
- 3.4 1210-103A (Left Hand Chain Tension Assembly)
- 3.5 1210-20-553 (PCHB553 Chain Mount Assembly)
- 4.1 **0810-17-65A (62 HDX Chain Carrier Assembly)**
- 5.1 **1265-01A (62 HDX Centre Frame Assembly)**
- 5.2 1210-50A (RH Walking Axle Assembly)
- 5.3 1210-51A (LH Walking Axle Assembly)
- 5.4 1210-52A (Walking Axle Linkage Assembly)
- 5.5 0733-90 (90 Series Stub Axle (Stub and Hub Complete))
- 6.1 **1265-04A (62 HDX Right Hand Inner Wing Assembly)**
- 6.2 0311-536ST (5" Bore 36" Stroke 3 1/8" S/Tube 2" Rod Hyd Cylinder)
- 7.1 **1265-05A (62 HDX Left Hand Inner Wing Assembly)**
- 7.2 0311-536ST (5" Bore 36" Stroke 3 1/8" S/Tube 2" Rod Hyd Cylinder)
- 8.1 **1265-06A (62 HDX Right Hand Outer Wing)**
- 8.2 0311-6896 (Hyd Cylinder 3.5" x 32" + 4" Stop Tube)
- 8.3 0733-90 (90 Series Stub Axle (Stub and Hub Complete)) 0802-
- 8.4 PCHB553 (50mm Shaft Swivel Unit)
- 8.5 0802-PCHTAA (Chain Tension Assembly)
- 8.6 1202-148 (Round Drop Leg Height Adjustor Assembly)
- 8.7 1202-149 (Square Drop Leg Height Adjustor Assembly)
- 8.8 1210-25-553 (Heavy Duty RH Drop Leg 553 Assembly)
- 8.9 1210-56-553 (Heavy Duty RH Fixed Drop Leg 553 Assembly)
- 8.10 1265-06PA (62 HDX Outer Wing Post Assembly)
- 9.1 **1265-07A (62 HDX Left Hand Outer Wing Assembly)**
- 9.2 0311-6896 (Hyd Cylinder 3.5" x 32" + 4" Stop Tube)

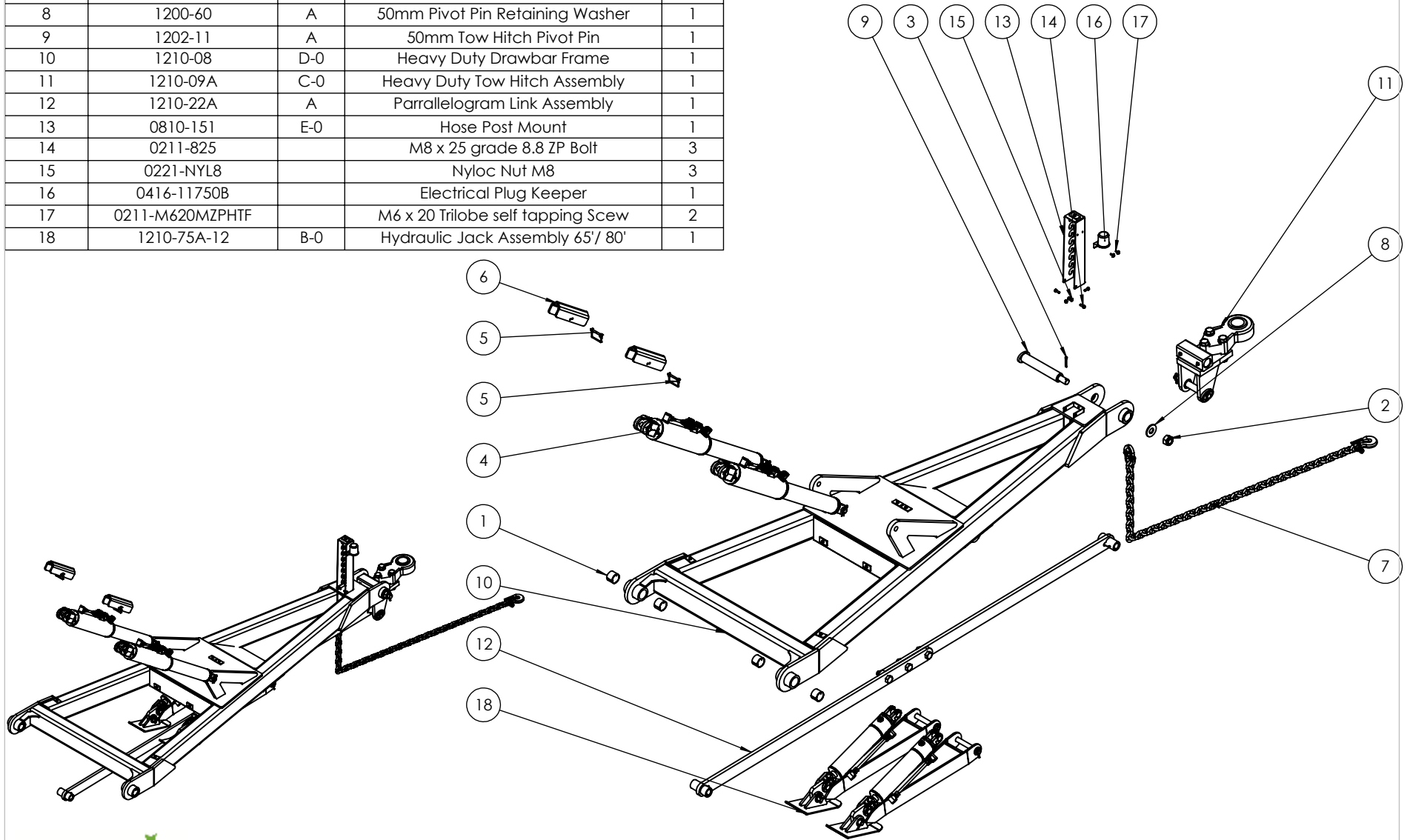
- 9.3 0733-90 (90 Series Stub Axle(Stub and Hub Complete)
- 9.4 0802-PCHB553 (50mm Shaft Swivel Unit)
- 9.5 0802-PCHTAA (Chain Tension Assembly)
- 9.6 1202-148 (Round Drop Leg Height Adjustor Assembly)
- 9.7 1202-149 (Square Drop Leg Height Adjustor Assembly)
- 9.8 1210-24-553 (Heavy Duty LH Drop Leg 553 Assembly)
- 9.9 1210-55-553 (Heavy Duty LH Fixed Drop Leg 553 Assembly)
- 10.1 1265-03A (62 HDX Rear A-Frame Assembly) Export**
- 10.2 1265-03A (62 HDX Rear A-Frame Assembly) Australian Domestic**
- 10.3 0311-2958 (Hyd Cylinder 3.5" x 24")
- 10.4 0802-228-65 (Rear A-Frame Chain Guard 62 HDX)
- 10.5 0810-109LA (Left Hand Outrigger Assembly)
- 10.6 0810-109RA (Right Hand Outrigger Assembly)
- 10.7 0810-109A (Outrigger Assembly)
- 10.8 0810-03EB (Rear A-Frame Export Sign/Light Brackets)
- 10.9 0810-12CALA (Jockey Wheel Brake Calliper Assembly)
- 10.10 0810-18R-65 (RH Chain Carrier M Assembly 62 HDX)
- 10.11 0810-19-65 (Straight Chain Carrier M Assembly 62 HDX)
- 10.12 0810-19L-65 (LH Chain Carrier M Assembly 62 HDX)
- 10.13 1210-80A (Heavy Duty Jockey Wheel Assembly)
- 10.14 0733-SH27596880 (2.7"R 6 Tonne 8 on 8"PCD Hub & Stub)
- 11.1 1210-29A (62 HDX Rear module Assembly)**
- 11.2 0311-256SP (2.5" Bore x 6" Stroke 1.5" Rod Side Port Cylinder)
- 11.3 0802-229-65 (Rear Module Guard Assembly)
- 11.4 0802-PCHB553 (24mm Bolt Swivel Unit)
- 11.5 1210-102A (Right Hand Chain Tension Assembly)
- 11.6 1210-20-553 (PCHB553 Chain Mount Assembly)
- 12.1 1210-10A (Heavy Duty Rear Tail Assembly)**
- 12.2 0802-PCHB553 (24mm Bolt Swivel Unit)

ITEM NO.	PART NUMBER	Revision	DESCRIPTION	QTY.
1	1210-08A	A	Heavy Duty Drawbar Assembly	1
2	1265-02A	A	65' Front A-Frame Assembly	1
3	1210-28A	A	65' Front Module Assembly	1
4	0810-17-65A	C	60' Chain Carrier Assembly	2
5	1265-01A	A	65' Centre Frame Assembly	1
6	1265-04A	A	65' Right Hand Inner Wing Assembly	1
7	1265-05A	A	65' Left Hand Inner Wing Assembly	1
8	1265-06A	A	65' Right Hand Outer Wing Assembly	1
9	1265-07A	A	65' Left Hand Outer Wing Assembly	1
10	1265-03A	A	65' Rear A-Frame Assembly (Export)	1
11	1210-29A	A	65' Rear Module Assembly	1
12	1210-10A	A	Heavy Duty Rear Tail Assembly	1



Part Number 1265-100	Description Kelly Diamond Harrow 62HDX	For Machines Built: 62HDX (112403-65)-	Revision A
--------------------------------	--	---	----------------------

ITEM NO.	PART NUMBER	Revision	DESCRIPTION	QTY.
1	0113-MB 5040DX	A	50 ID x 40mm DX Bush	4
2	0221-NYL30		Nyloc Nut M30	1
3	0261-PINC650		Cotter Pin M6 x 50mm	1
4	0311-412EXT	A-0	4" Bore 12" Stroke 1.75" Rod Extended Hydraulic Cylinder	2
5	0511-PINLOOPSQ863	A	Square Loop Pin M8 x 63	2
6	0800-212.1	B	Cylinder Safety Stop	2
7	0810-16	B	Safety Chain Assembly	1
8	1200-60	A	50mm Pivot Pin Retaining Washer	1
9	1202-11	A	50mm Tow Hitch Pivot Pin	1
10	1210-08	D-0	Heavy Duty Drawbar Frame	1
11	1210-09A	C-0	Heavy Duty Tow Hitch Assembly	1
12	1210-22A	A	Parallelogram Link Assembly	1
13	0810-151	E-0	Hose Post Mount	1
14	0211-825		M8 x 25 grade 8.8 ZP Bolt	3
15	0221-NYL8		Nyloc Nut M8	3
16	0416-11750B		Electrical Plug Keeper	1
17	0211-M620MZPHTF		M6 x 20 Trilobe self tapping ScREW	2
18	1210-75A-12	B-0	Hydraulic Jack Assembly 65' / 80'	1



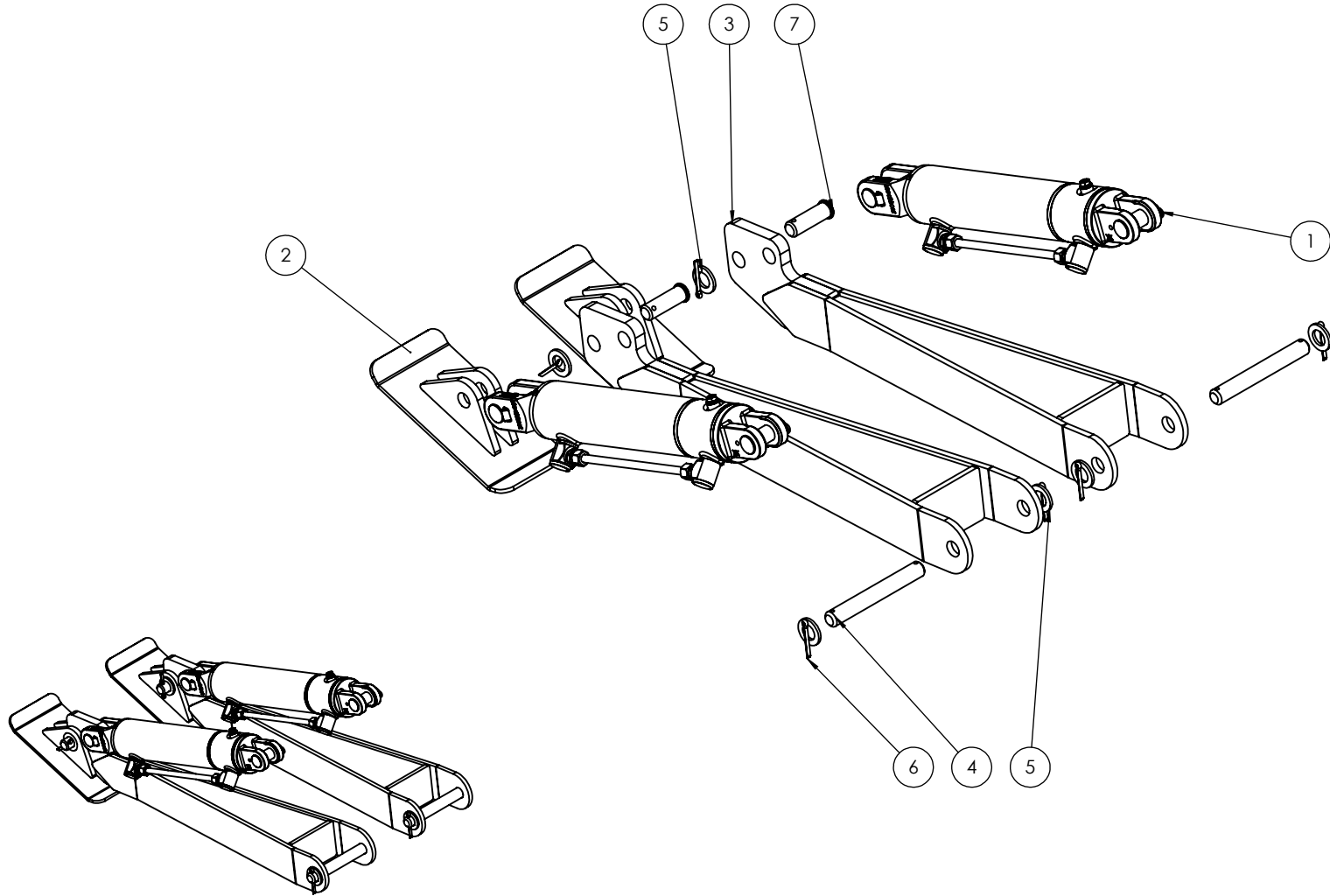
Part Number
1210-08A

Description
Heavy Duty Drawbar Assembly

For Machines Built:
65'(112043-65)-

Revision
B-0

ITEM NO.	PART NUMBER	Revision	DESCRIPTION	QTY.
1	0311-308SPOC	A-0	3" Bore 8" Stroke NI Cylinder with Int DCBV Valve	2
2	1210-77	B-0	Hydraulic Jack Foot	2
3	1210-82	A-0	Hyd Jack Arm	2
4	1201-44	A-0	25mm Shaft 185mm Long	2
5	0231-F24		Washer Flat M24	6
6	0261-PINC550	A	Cotter Pin M5 x 50	6
7	0801-KE0307-1	B-0	Clevis Pin 25mm x 75mm	2
8	1202-DCHKJACK		Duel Hyd Jack Hose Kit	1



Part Number
1210-75A-12

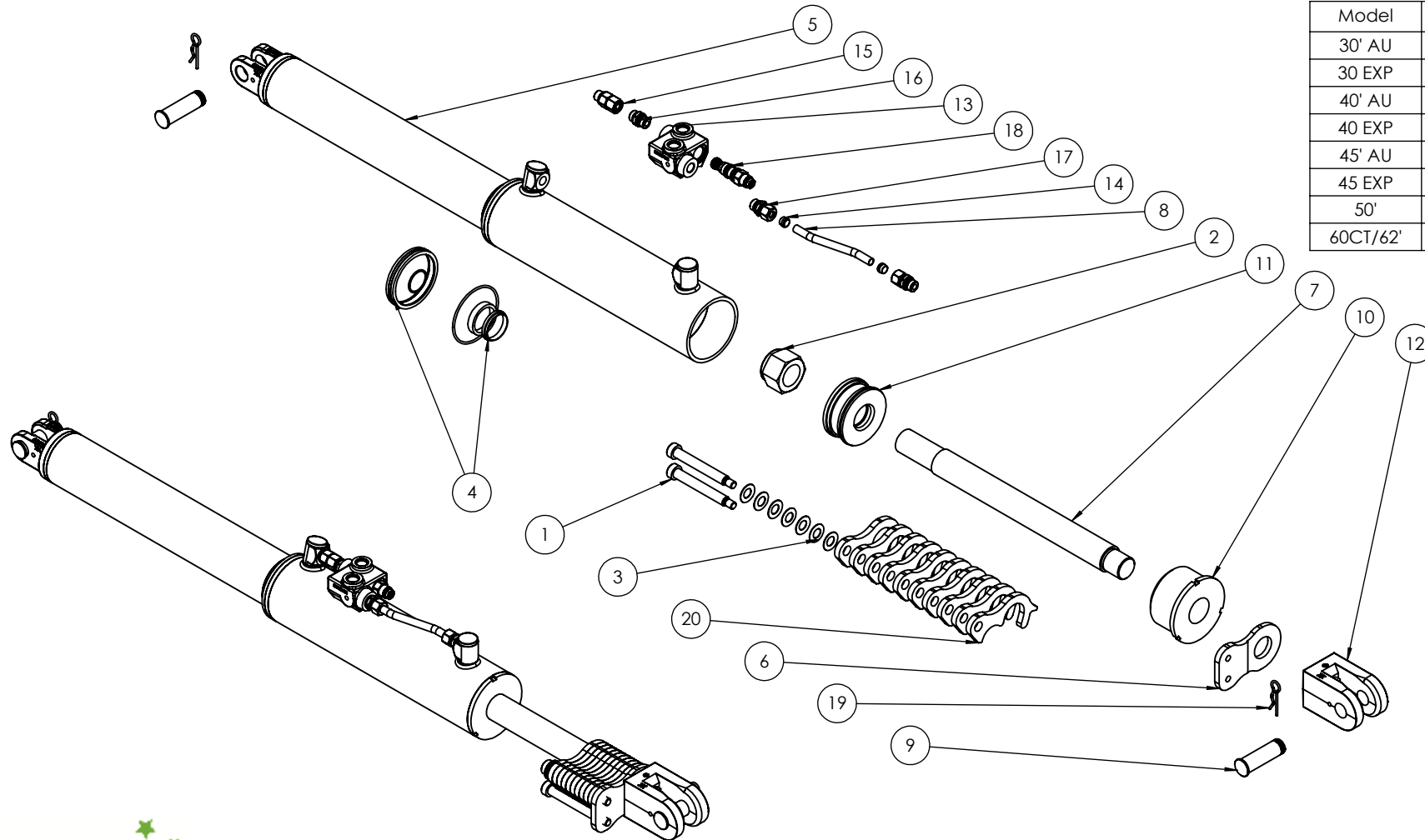
Description
Hydraulic Jack Assembly 65' / 80'

For Machines Built:

Revision
B-0

ITEM NO.	PART NUMBER	Revision	DESCRIPTION	QTY.	ITEM NO.	PART NUMBER	Revision	DESCRIPTION	QTY.
1	0211-12110SHSCREW	A	Shoulder Screw M12 x 16 x 110	2	11	0313-NP4	A-0	Hydraulic Cylinder Piston 4"	1
2	0223-NYL11-2		Nyloc Nut 1 1/2" UNF	1	12	0313-NRC1X1 1-2	A-0	Hydraulic Cylinder Rod Clevis 1" Pin 1 1/2" Thread	1
3	0231-SPRINGCUP	A	Compression Cup Washer	7	13	0313-SCVB	A-0	Single Counterbalance Valve Body	1
4	0312-N4	A-0	Nordon 4" Cylinder Seal Kit	1	14	0323-D12LLX		Tube Sealing Ring	2
5	0313-412EXT-B	A-0	4" Bore x 12" Stroke Extended Cylinder Barrel	1	15	0323-EGE12SRED		Flareless Swivel BSPP Male Adaptor	1
6	0313-412EXT-HAMP	A-0	0313-412EXT Height Adjustor Mount Plate	1	16	0323-GE12SRED		24 Flareless BSPP Male Adaptor	1
7	0313-412EXT-R	A-0	Rod For 4" x 12" Extended Hydraulic Cylinder	1	17	0323-GE12SRED		24 Flareless BSPP Male Adaptor	2
8	0313-412EXT-TUBE	A-0	0311-412EXT Retract Port Tube	1	18	0341-CBCA-LHN		60 L/min Counterbalance valve	1
9	0313-NCP1X75	A-0	Hydraulic Cylinder Pin 1" x 75mm	2	19	0511-RCLIP3		R Clip 3mm	2
10	0313-NG175X4	A-0	Cylinder Gland 1.75" Rod x 4" Barrel	1	20	0800-278	A	Cylinder Depth Stop Plate	10

Note: Replaces Cylinder 0311-6357

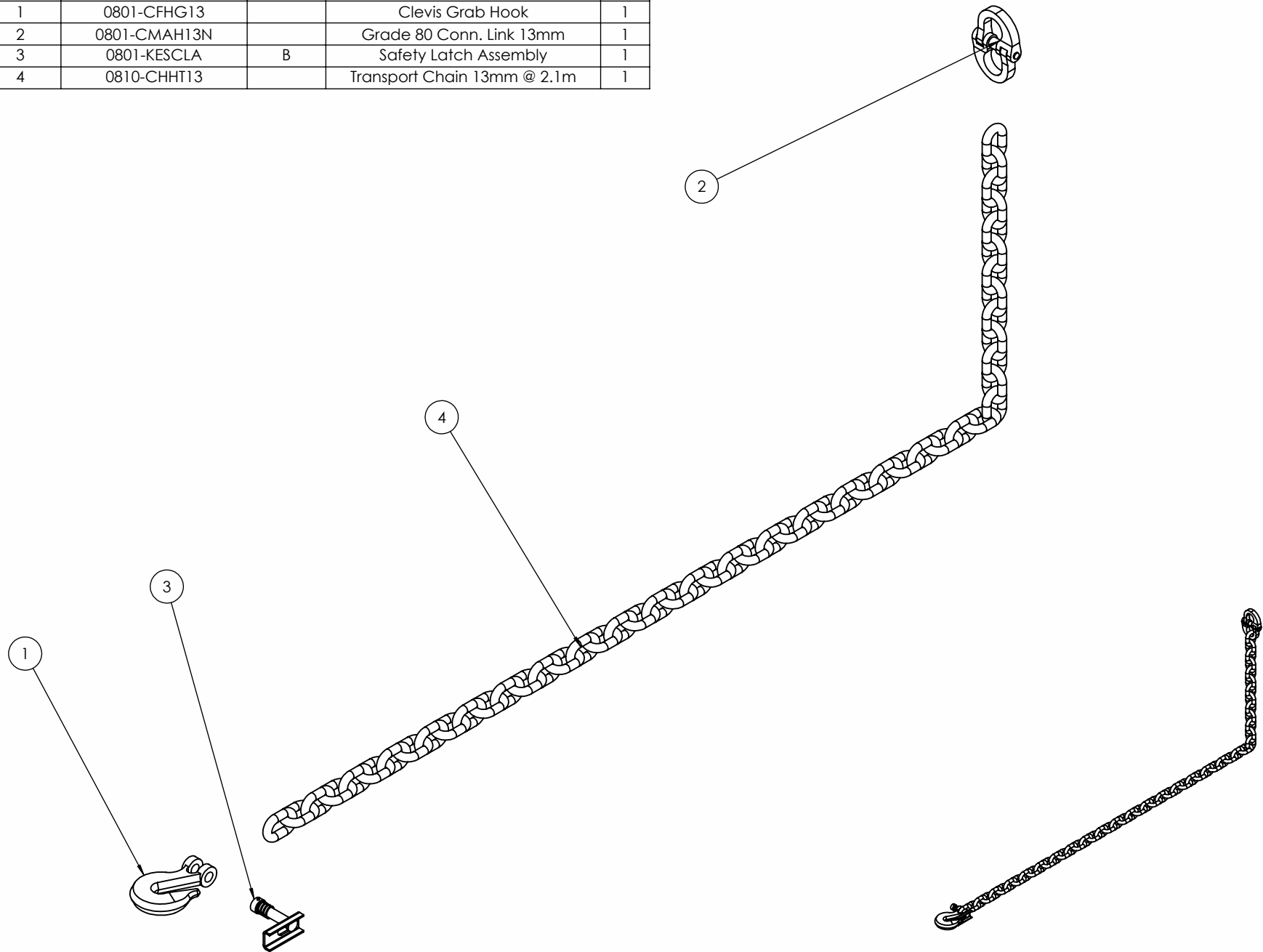


Model	Qty
30' AU	0
30 EXP	1
40' AU	0
40 EXP	1
45' AU	0
45 EXP	1
50'	1
60CT/62'	1



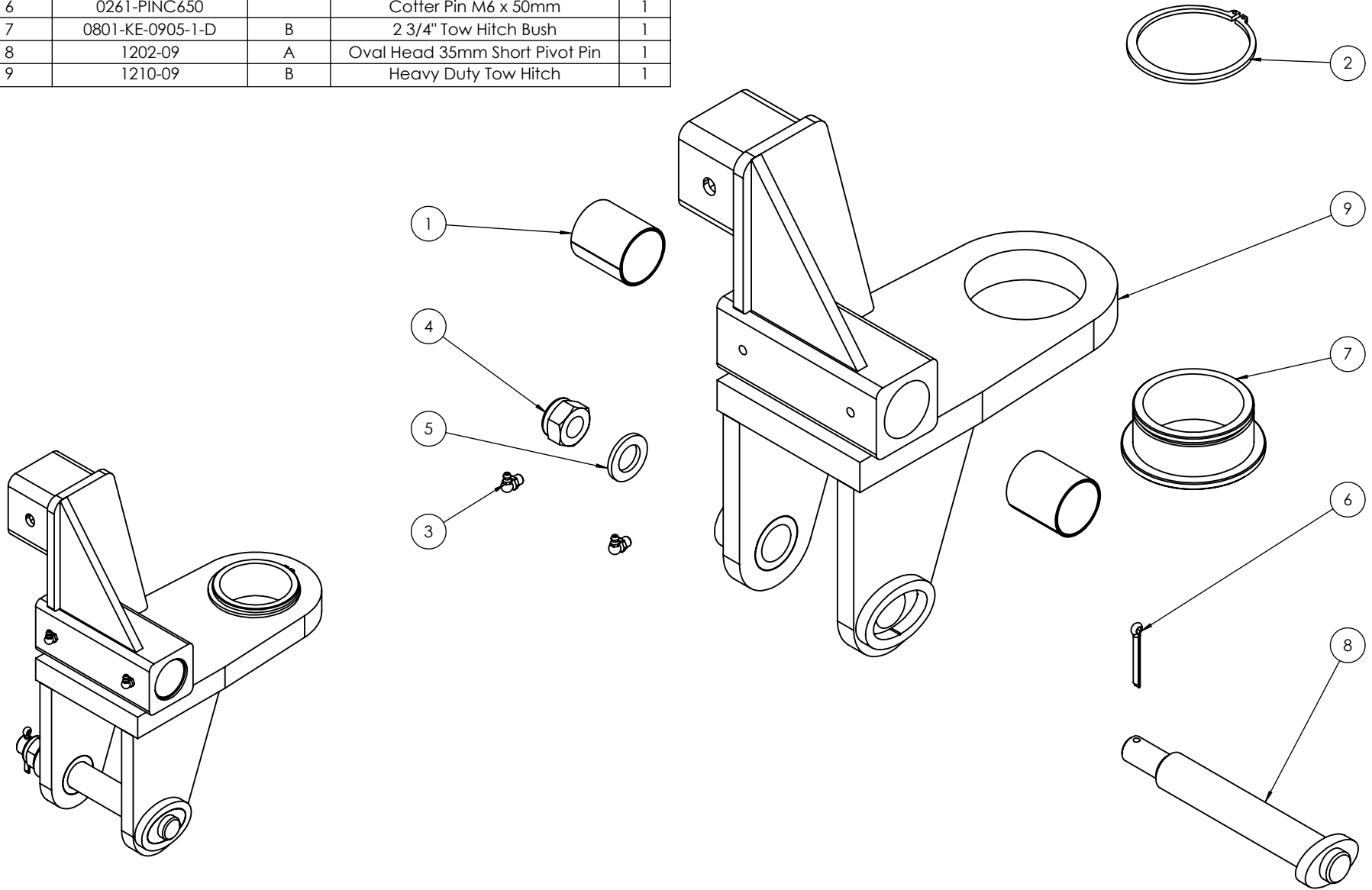
Part Number 0311-412EXT	Description 4" Bore 12" Stroke 1.75" Rod Extended Hydraulic Cylinder	For Machines Built:	Revision A-0
-----------------------------------	---	---------------------	-----------------

ITEM NO.	PART NUMBER	Revision	DESCRIPTION	QTY.
1	0801-CFHG13		Clevis Grab Hook	1
2	0801-CMAH13N		Grade 80 Conn. Link 13mm	1
3	0801-KESCLA	B	Safety Latch Assembly	1
4	0810-CHHT13		Transport Chain 13mm @ 2.1m	1



Part Number 0810-16	Description Safety Chain Assembly	For Machines Built: All (2008)-	Revision B
-------------------------------	---	------------------------------------	----------------------

ITEM NO.	PART NUMBER	Revision	DESCRIPTION	QTY.
1	0113-MB 5060DX	A	50 ID x 60mm DX Bush	2
2	0172-1400-105	A	105mm External circlip	1
3	0181-GN1-890	A	Grease Nipple 1/8" BSP 90 deg	2
4	0221-NYL24		M24 Nyloc Nut	1
5	0231-F24		M24 zp Flat Washer	1
6	0261-PINC650		Cotter Pin M6 x 50mm	1
7	0801-KE-0905-1-D	B	2 3/4" Tow Hitch Bush	1
8	1202-09	A	Oval Head 35mm Short Pivot Pin	1
9	1210-09	B	Heavy Duty Tow Hitch	1



Part Number

1210-09A

Description

Heavy Duty Tow Hitch Assembly

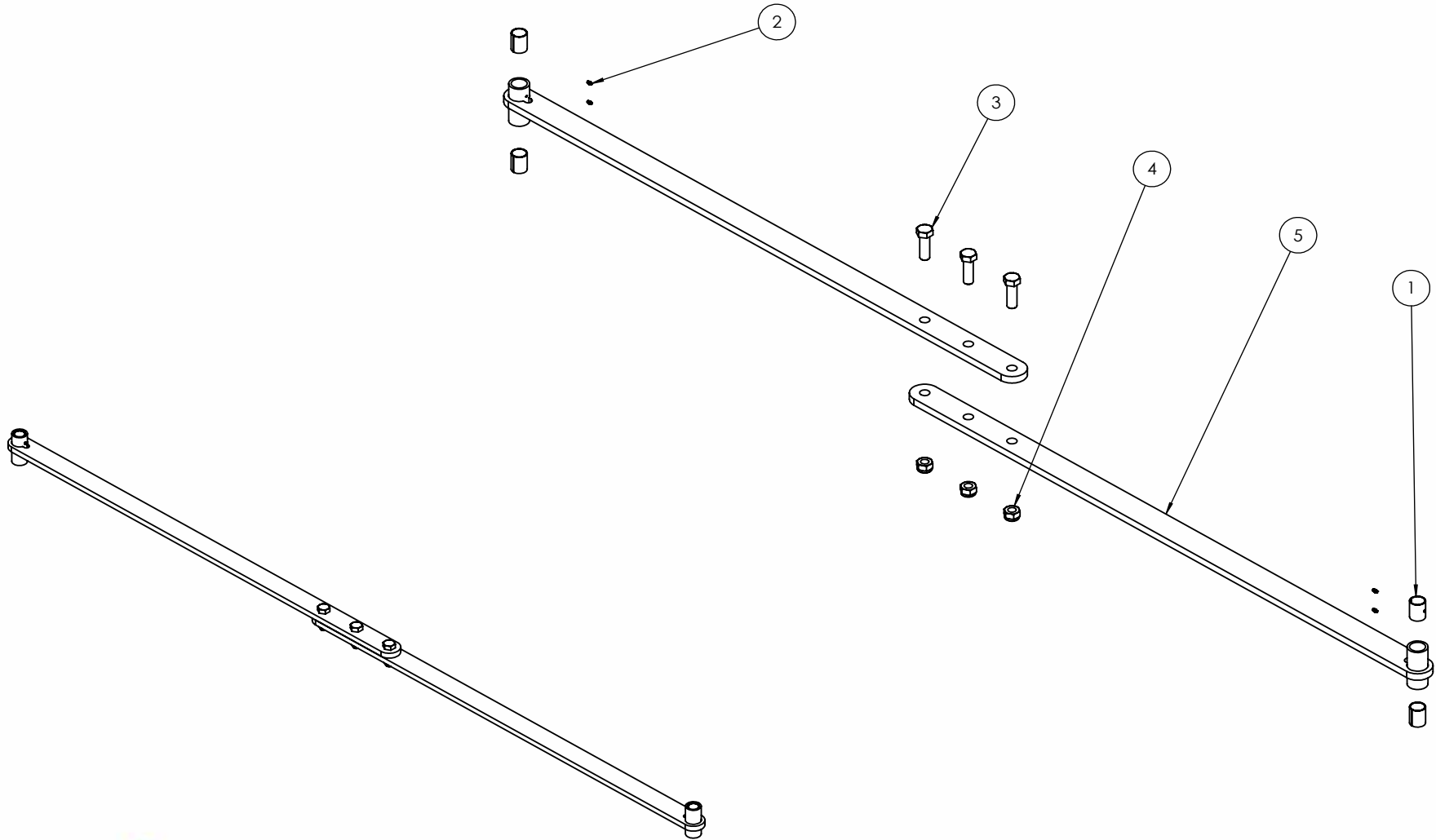
For Machines Built:

62HDX (112043-65)-

Revision

B

ITEM NO.	PART NUMBER	Revision	DESCRIPTION	QTY.
1	0113-MB 3550DX	A	35 ID x 50mm DX Bush	4
2	0181-GN1-4		Grease Nipple 1/4" UNF	4
3	0211-2475	A	M24 x 75 8.8 zp Bolt	3
4	0221-NYL24		M24 Nyloc Nut	3
5	1210-22	A	Parrallelogram Link Half	2



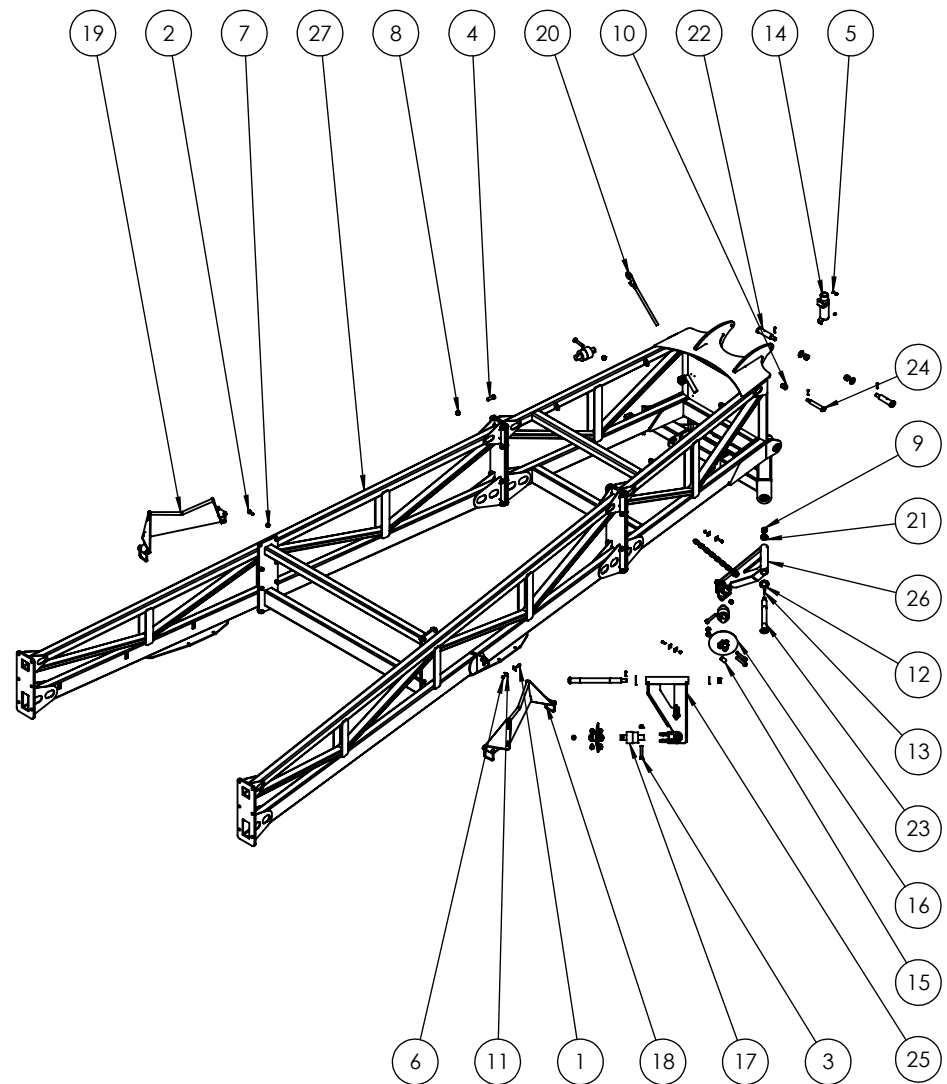
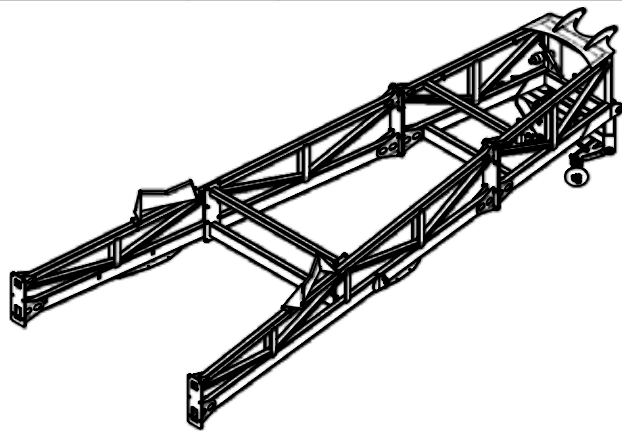
Part Number
1210-22A

Description
Parrallelogram Link Assembly

For Machines Built:
62HDX (112043-65)-

Revision
A

ITEM NO.	PART NUMBER	Revision	DESCRIPTION	QTY.
1	0211-1235	A	M12 x 35 8.8 zp Bolt	3
2	0211-2050	A	M20 x 50 8.8 zp Bolt	16
3	0211-24120ST	A	M24 x 120 Short Thread 8.8 zp Bolt	7
4	0211-2475	A	M24 x 75 8.8 zp Bolt	18
5	0211-M620MZPHTF		M6 x 20 Trilobe self tapping Scew	3
6	0221-NYL12		M12 Nyloc Nut	3
7	0221-NYL20		M20 Nyloc Nut	16
8	0221-NYL24		M24 Nyloc Nut	26
9	0221-NYL30		M30 Nyloc Nut	4
10	0231-F24		M24 zp Flat Washer	1
11	0231-SQ12383	A	Washer Square M12 x 38 x 3	6
12	0232-HT2	A	Washer High Tensile 2"	2
13	0261-PINC650		Cotter Pin M6 x 50mm	5
14	0801-OMC-1	A	Operator Manual Cannister	1
15	0801-PCDCS55	A	Tie Plate Bush	2
16	0802-DCTP-24	A	Disc Chain Tie Plate Link 24mm	2
17	0802-PCHB553		50mm Shaft Swivel Unit	3
18	0810-18R-65	A	RH Chain Carrier M Assembly 65'	1
19	0810-19L-65	A	LH Chain Carrier M Assembly 65'	1
20	0810-36	B	Spanner	1
21	1200-60	A	50mm Pivot Pin Retaining Washer	4
22	1202-06A	A	Oval Head 50mm Short Pivot Pin Assembly	2
23	1202-08	A	Oval Head 50mm Long Pivot Pin	2
24	1202-09	A	Oval Head 35mm Short Pivot Pin	1
25	1210-20-553	A	PCHB553 Chain Mount Assembly	1
26	1210-20-553	A	PCHB553 Chain Mount Assembly	1
27	1265-02	B	65' Front A-Frame	1



Part Number

1265-02A

Description

62HDX Front A-Frame Assembly

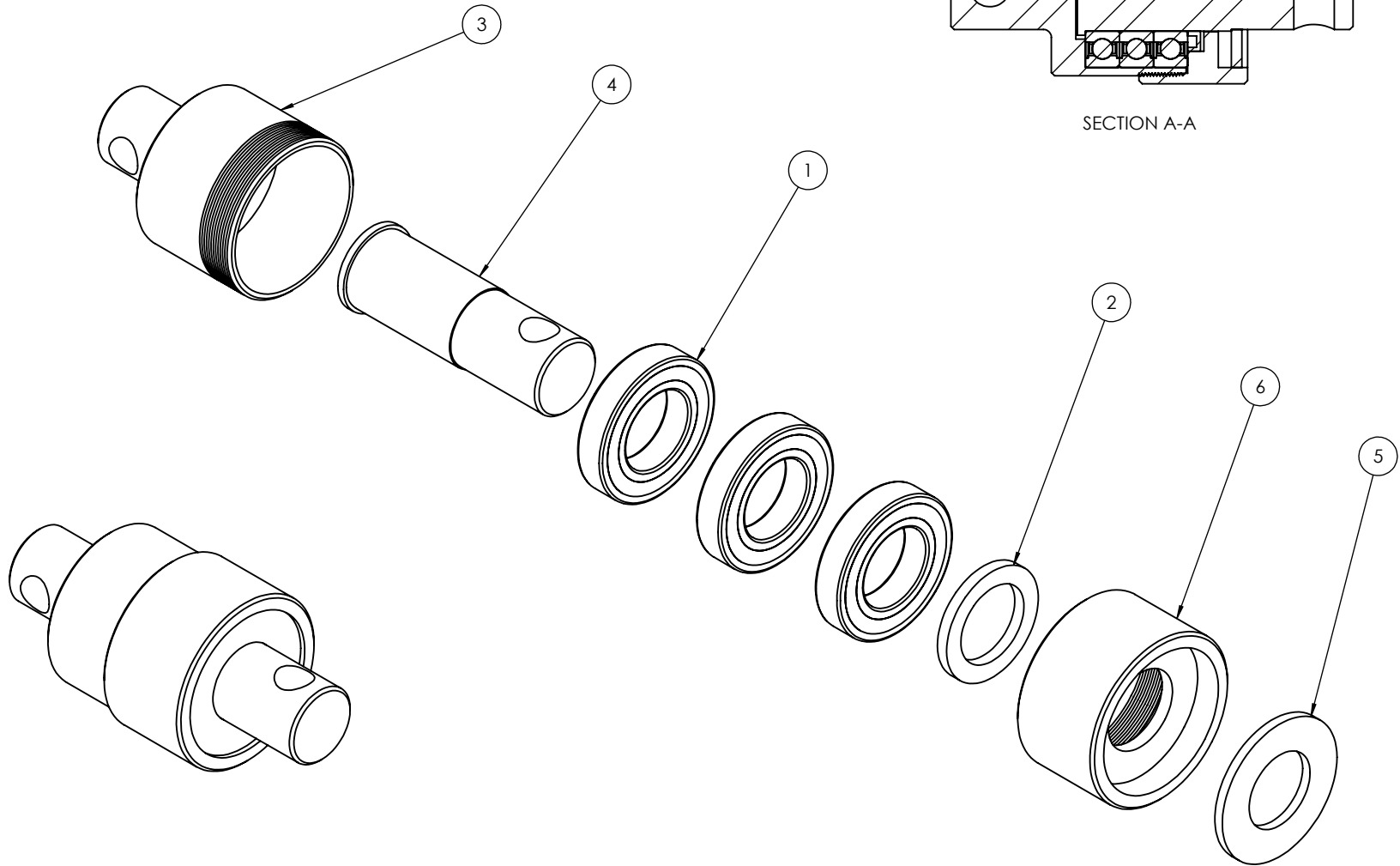
For Machines Built:

62HDX (112043-65)-

Revision

A

ITEM NO.	PART NUMBER	Revision	DESCRIPTION	QTY.
1	0112-6211		Bearing 6211 2RS	3
2	0121-TC12616		TC12616 Seal 55mm x 80mm x 8mm	1
3	0801-PCHB553H	A	Housing to Suit PCHB553 Swivel	1
4	0801-PCHB553S	A	Shaft To Suit PCHB553 Swivel	1
5	0801-PCHB553WA	A-1	Washer To Suit PCHB553 Swivel	1
6	0801-PCHB553C	A	Cap To Suit PCHB553 Swivel	1



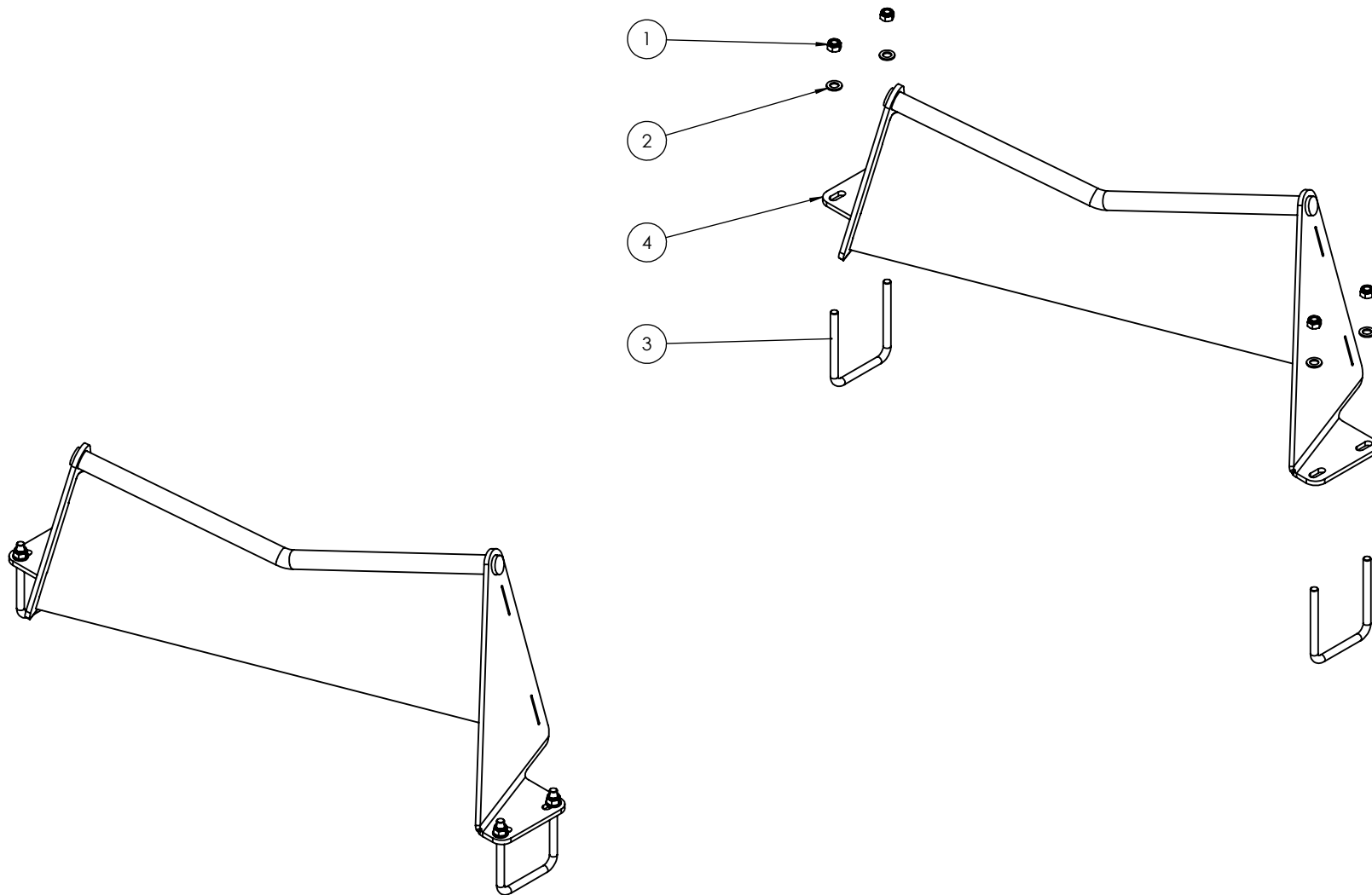
Part Number
0802-PCHB553

Description
24mm Bolt Swivel Unit

For Machines Built:
65'(112043-65)-

Revision
A-1

ITEM NO.	PART NUMBER	Revision	DESCRIPTION	QTY.
1	0221-NYL12		M12 Nyloc Nut	4
2	0231-F12		M12 zp Flat Washer	4
3	0271-12135104	A	U-Bolt M12 x 135 Deep x 104 Wide	2
4	0810-18R	A	Right Hand M	1



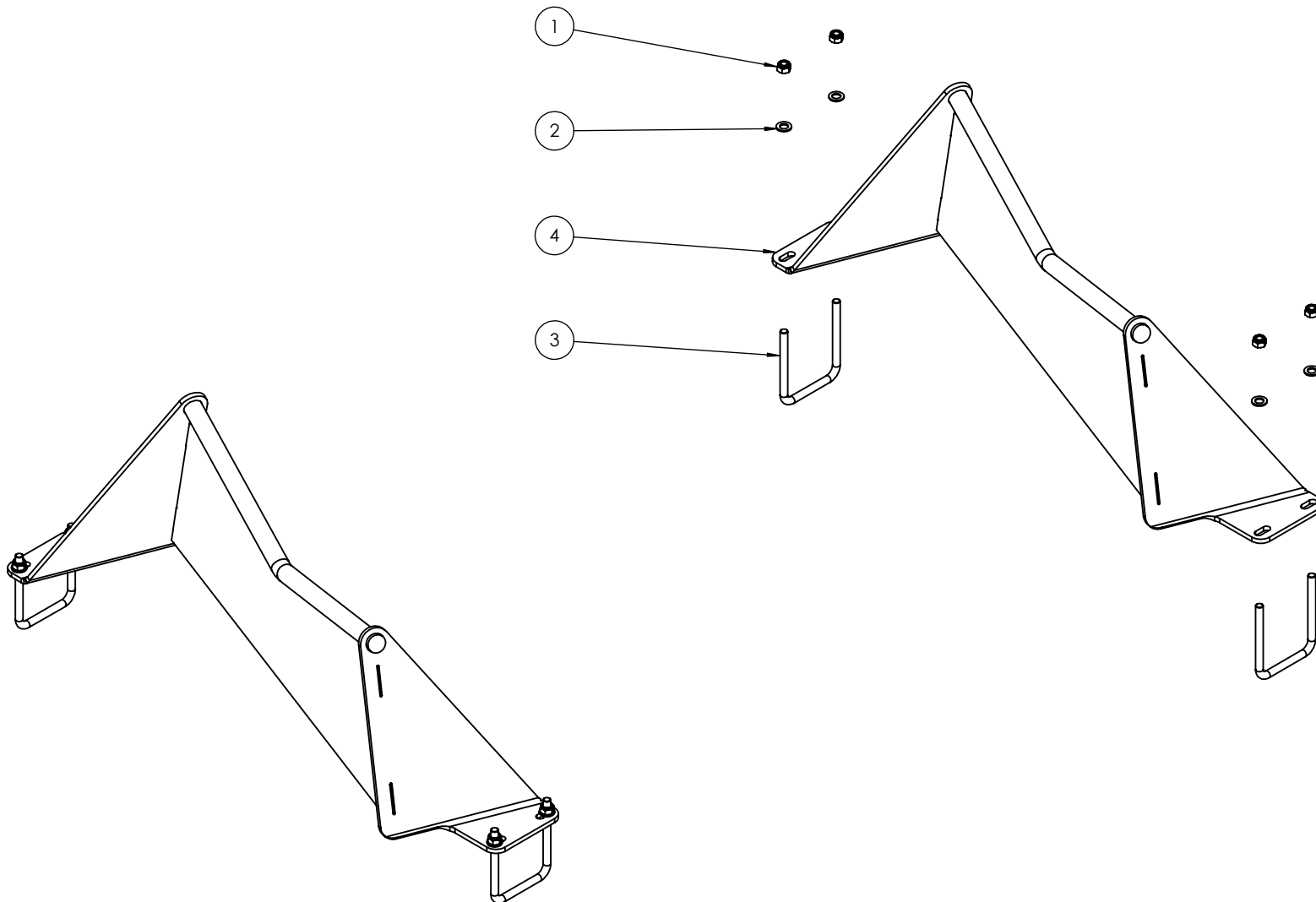
Part Number
0810-18R-65

Description
RH Chain Carrier M Assembly 62HDX

For Machines Built:
62HDX (112043-65)-

Revision
A

ITEM NO.	PART NUMBER	Revision	DESCRIPTION	QTY.
1	0221-NYL12		M12 Nyloc Nut	4
2	0231-F12		M12 zp Flat Washer	4
3	0271-12135104	A	U-Bolt M12 x 135 Deep x 104 Wide	2
4	0810-19L	A	Left Hand M	1



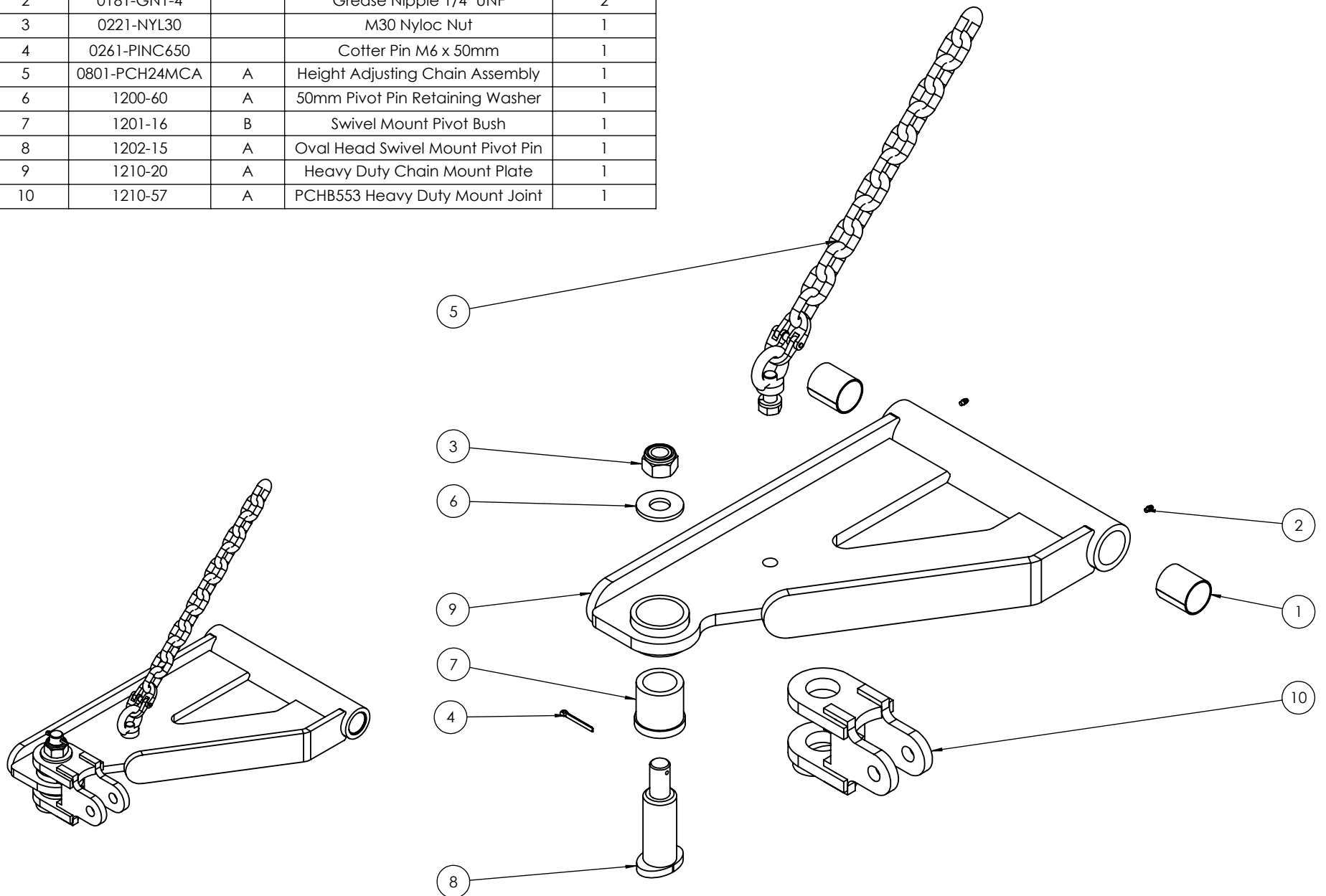
Part Number
0810-19L-65

Description
LH Chain Carrier M Assembly 62HDX

For Machines Built:
62HDX (112043-65)-

Revision
A

ITEM NO.	PART NUMBER	Revision	DESCRIPTION	QTY.
1	0113-MB 5060DX	A	50 ID x 60mm DX Bush	2
2	0181-GN1-4		Grease Nipple 1/4" UNF	2
3	0221-NYL30		M30 Nyloc Nut	1
4	0261-PINC650		Cotter Pin M6 x 50mm	1
5	0801-PCH24MCA	A	Height Adjusting Chain Assembly	1
6	1200-60	A	50mm Pivot Pin Retaining Washer	1
7	1201-16	B	Swivel Mount Pivot Bush	1
8	1202-15	A	Oval Head Swivel Mount Pivot Pin	1
9	1210-20	A	Heavy Duty Chain Mount Plate	1
10	1210-57	A	PCHB553 Heavy Duty Mount Joint	1



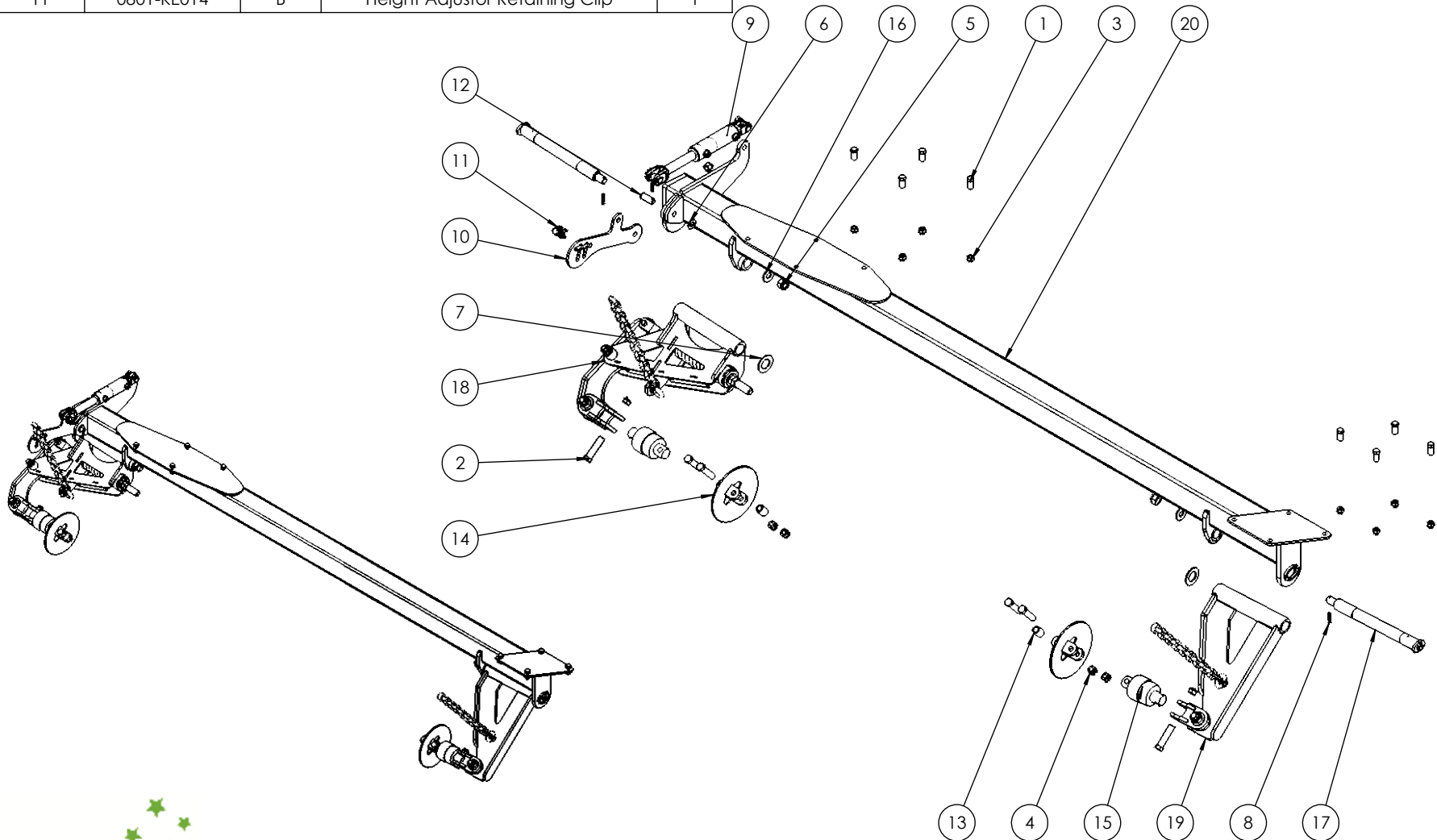
Part Number
1210-20-553

Description
PCHB553 Chain Mount Assembly

For Machines Built:
62HDX (112043-65)-

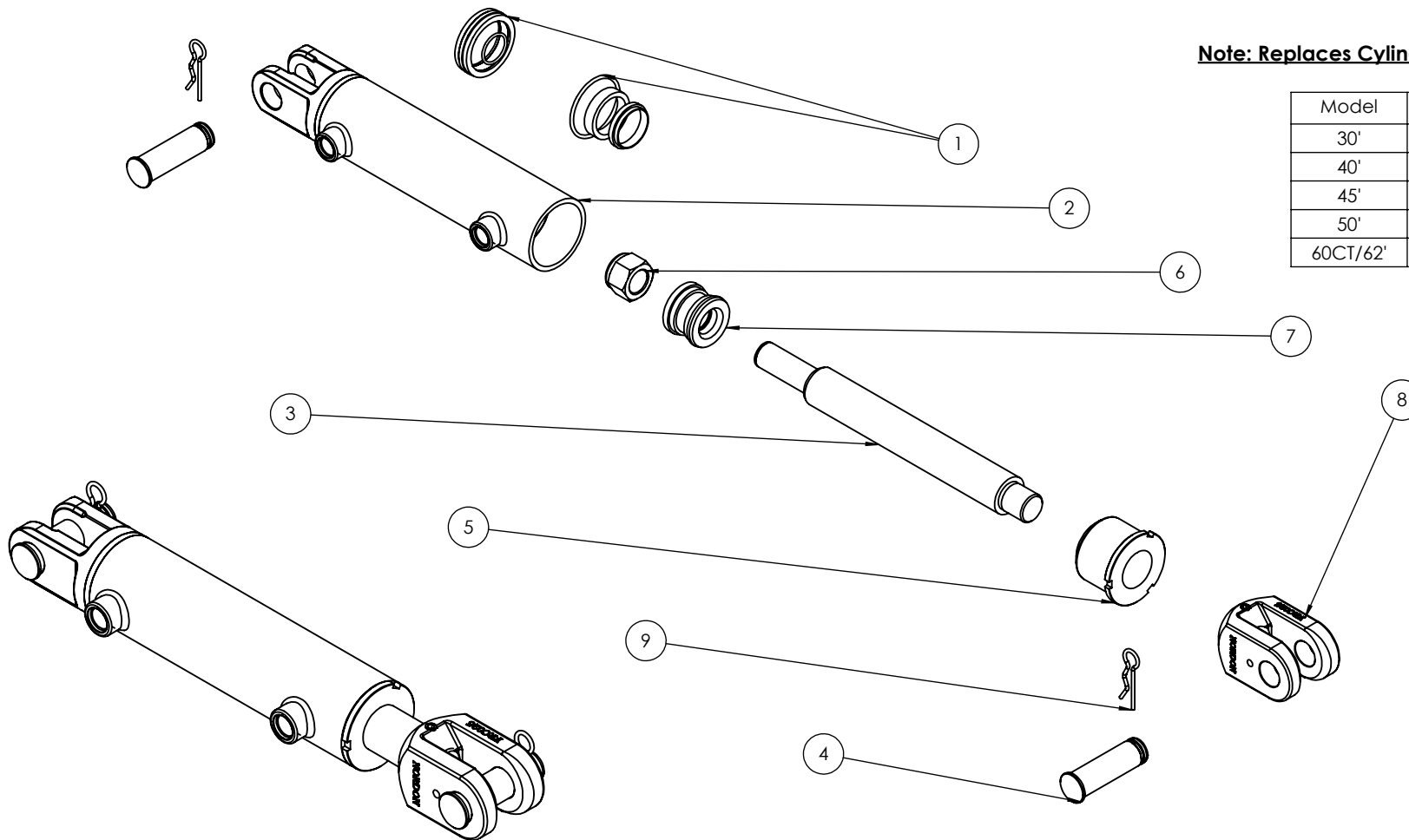
Revision
A

ITEM NO.	PART NUMBER	Revision	DESCRIPTION	QTY.	ITEM NO.	PART NUMBER	Revision	DESCRIPTION	QTY.
1	0211-2050	A	M20 x 50 grade 8.8 ZP Bolt	8	12	0801-KE0307-1	B-0	Clevis Pin 25mm x 75mm	1
2	0211-24120ST	A	M24 x 120 grade 10.9 zp Short Thread Bolt	6	13	0801-PCDCS55	A	Tie Plate Bush	2
3	0221-NYL20		Nyloc Nut M20	8	14	0802-DCTP-24	A	Disc Chain Tie Plate Link 24mm	2
4	0221-NYL24		Nyloc Nut M24	6	15	0802-PCHB553	A	24mm Bolt Swivel Unit	2
5	0221-NYL30		Nyloc Nut M30	2	16	1200-60	A	50mm Pivot Pin Retaining Washer	2
6	0232-F1		Washer Flat 1"	1	17	1202-08	C	Oval Head 50mm Long Pivot Pin	2
7	0232-HT2	A	Washer High Tensile 2"	2	18	1210-103A	A-1	Left Hand Chain Tension Assembly	1
8	0261-PINC650		Cotter Pin M6 x 50mm	3	19	1210-20-553	A-1	PCHB553 Chain Mount Assembly	1
9	0311-256SP	A-0	2.5" Bore x 6" Stroke 1.5" Rod Side Port Cylinder	1	20	1210-28	D-3	65' Front Module	1
10	0800-120.3	C-0	Module Lift Plate	1					
11	0801-KE014	B	Height Adjustor Retaining Clip	1					



Part Number 1210-28A	Description 65' Front Module Assembly	For Machines Built: 65'(112043-65)-	Revision A-1
--------------------------------	---	--	------------------------

ITEM NO.	PART NUMBER	Revision	DESCRIPTION	QTY.
1	0312-N25	A-0	Nordon 2.5" Cylinder Seal Kit	1
2	0313-256SP-B	A-0	2.5" x 6" Hydraulic Cylinder Barrel	1
3	0313-256SP-R	A-0	Rod For 2.5" x 6" Hydraulic Cylinder	1
4	0313-NCP1X75	A-0	Hydraulic Cylinder Pin 1" x 75mm	2
5	0313-NG15X25		Hydraulic Cylinder Gland 1.5" Rod x 2.5" Barrel	1
6	0313-NN1		Nordon 1" Cylinder Rod Nut	1
7	0313-NP25	A-0	Hydraulic Cylinder Piston 2 1/2"	1
8	0313-NRC1X1 1-8	A-0	Hydraulic Cylinder Rod Clevis 1" Pin 1 1/8" Thread	1
9	0511-RCLIP3		R Clip 3mm	2



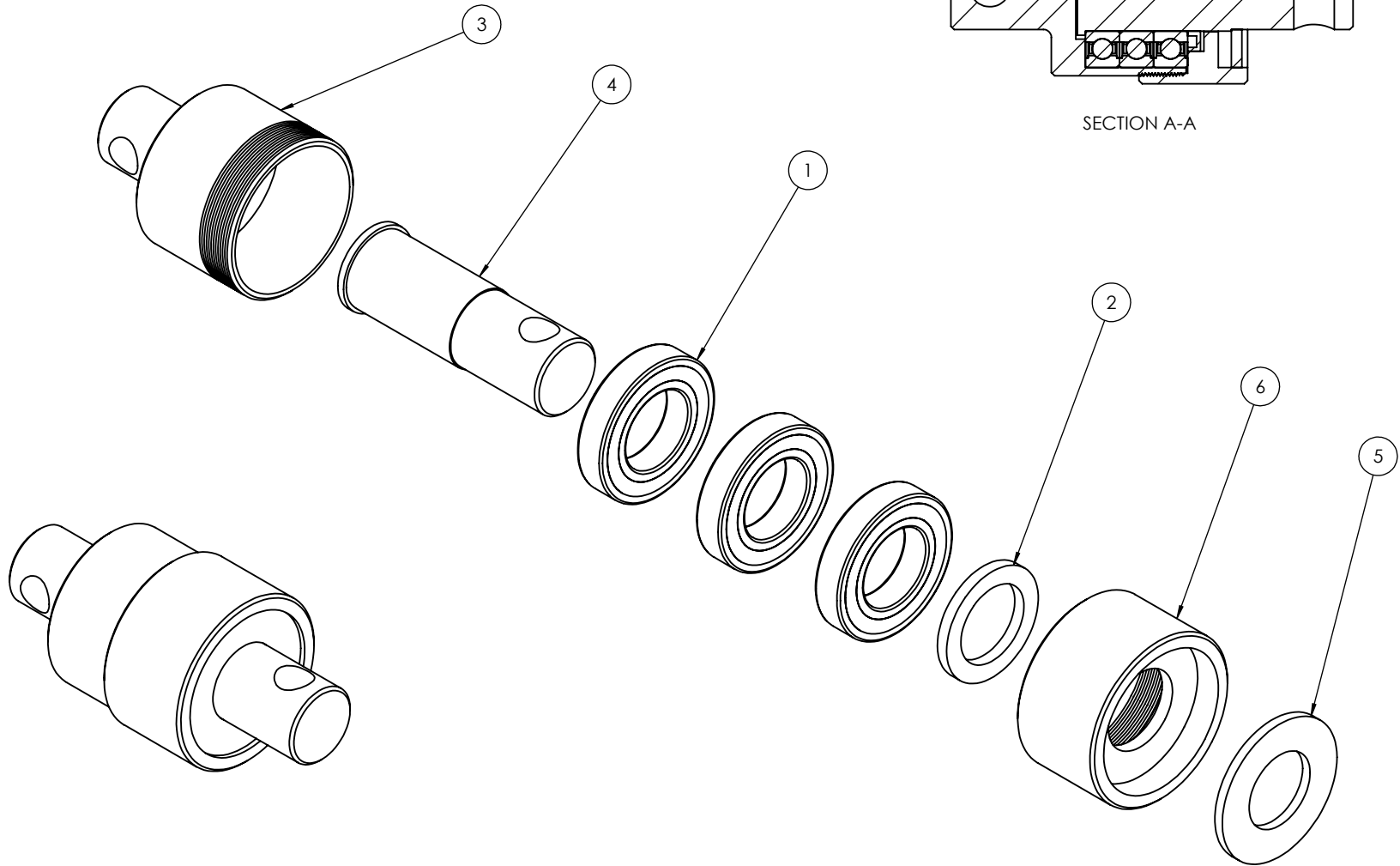
Note: Replaces Cylinder 0311-5041

Model	Qty
30'	3
40'	3
45'	3
50'	3
60CT/62'	3



Part Number 0311-256SP	Description 2.5" Bore x 6" Stroke 1.5" Rod Side Port Cylinder	For Machines Built:	Revision A-0
----------------------------------	--	---------------------	-----------------

ITEM NO.	PART NUMBER	Revision	DESCRIPTION	QTY.
1	0112-6211		Bearing 6211 2RS	3
2	0121-TC12616		TC12616 Seal 55mm x 80mm x 8mm	1
3	0801-PCHB553H	A	Housing to Suit PCHB553 Swivel	1
4	0801-PCHB553S	A	Shaft To Suit PCHB553 Swivel	1
5	0801-PCHB553WA	A-1	Washer To Suit PCHB553 Swivel	1
6	0801-PCHB553C	A	Cap To Suit PCHB553 Swivel	1



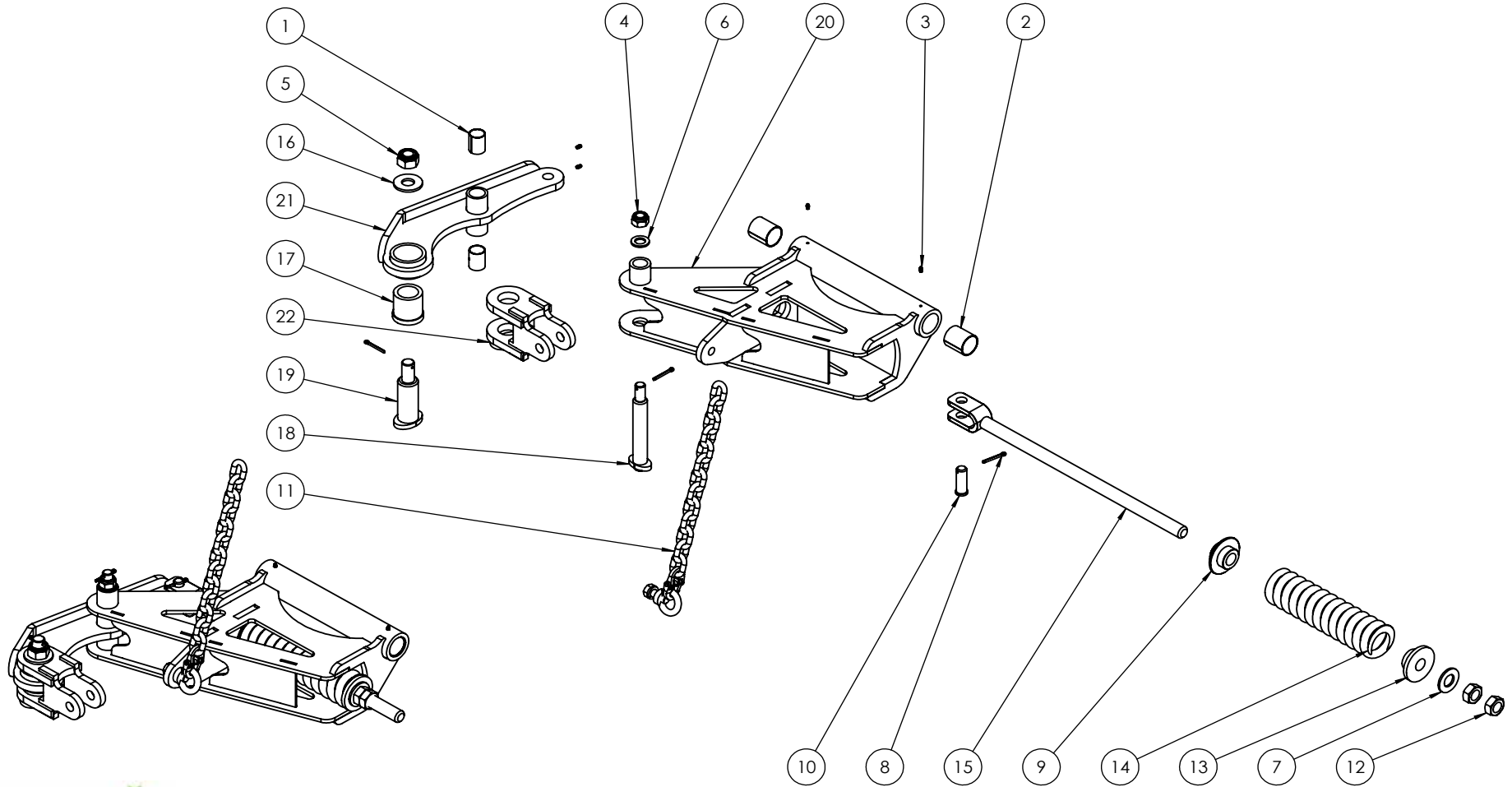
Part Number
0802-PCHB553

Description
24mm Bolt Swivel Unit

For Machines Built:
65'(112043-65)-

Revision
A-1

ITEM NO.	PART NUMBER	Revision	DESCRIPTION	QTY.	ITEM NO.	PART NUMBER	Revision	DESCRIPTION	QTY.
1	0113-MB 3550DX	A	35 ID x 50mm DX Bush	2	12	0801-PCHTA-N6	A	32mm 6 tpi ACME Lock Nut	2
2	0113-MB 5060DX	A	50 ID x 60mm DX Bush	2	13	0801-PCHTA-SB	B	Steel Spring Retaining Bush	1
3	0181-GN1-4		Grease Nipple 1/4" UNF	4	14	0801-XK9261S	A	20mm Coil Spring	1
4	0221-NYL24		M24 Nyloc Nut	1	15	0810-105	B	Module Tension Linkage	1
5	0221-NYL30		M30 Nyloc Nut	1	16	1200-60	A	50mm Pivot Pin Retaining Washer	1
6	0231-F24		M24 zp Flat Washer	1	17	1201-16	B	Swivel Mount Pivot Bush	1
7	0232-HT11-4		Washer High Tensile 1 1/4"	1	18	1202-09	A	Oval Head 35mm Short Pivot Pin	1
8	0261-PINC650		Cotter Pin M6 x 50mm	3	19	1202-15	A	Oval Head Swivel Mount Pivot Pin	1
9	0801-10-S2L	A	Rigid Spring Locator	1	20	1210-103	A	Left Hand Chain Tension Box	1
10	0801-KE0307-1	A	Clevis Pin 25mm x 75mm	1	21	1210-104	A	Chain Tension Arm	1
11	0801-PCH24MCA	A	Height Adjusting Chain Assembly	1	22	1210-57	A	PCHB553 Heavy Duty Mount Joint	1



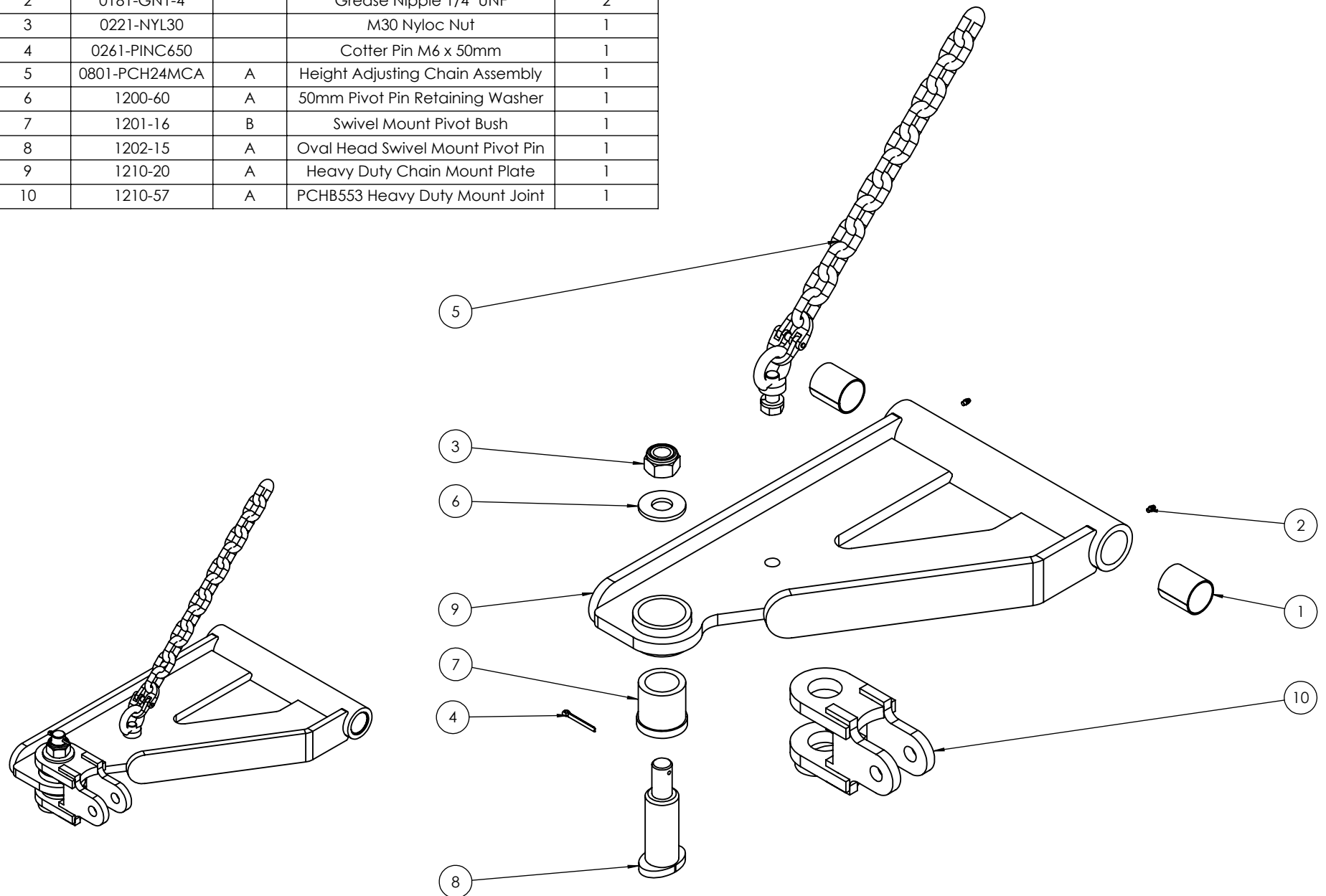
Part Number
1210-103A

Description
Left Hand Chain Tension Assembly

For Machines Built:
62HDX (112043-65)-

Revision
A

ITEM NO.	PART NUMBER	Revision	DESCRIPTION	QTY.
1	0113-MB 5060DX	A	50 ID x 60mm DX Bush	2
2	0181-GN1-4		Grease Nipple 1/4" UNF	2
3	0221-NYL30		M30 Nyloc Nut	1
4	0261-PINC650		Cotter Pin M6 x 50mm	1
5	0801-PCH24MCA	A	Height Adjusting Chain Assembly	1
6	1200-60	A	50mm Pivot Pin Retaining Washer	1
7	1201-16	B	Swivel Mount Pivot Bush	1
8	1202-15	A	Oval Head Swivel Mount Pivot Pin	1
9	1210-20	A	Heavy Duty Chain Mount Plate	1
10	1210-57	A	PCHB553 Heavy Duty Mount Joint	1



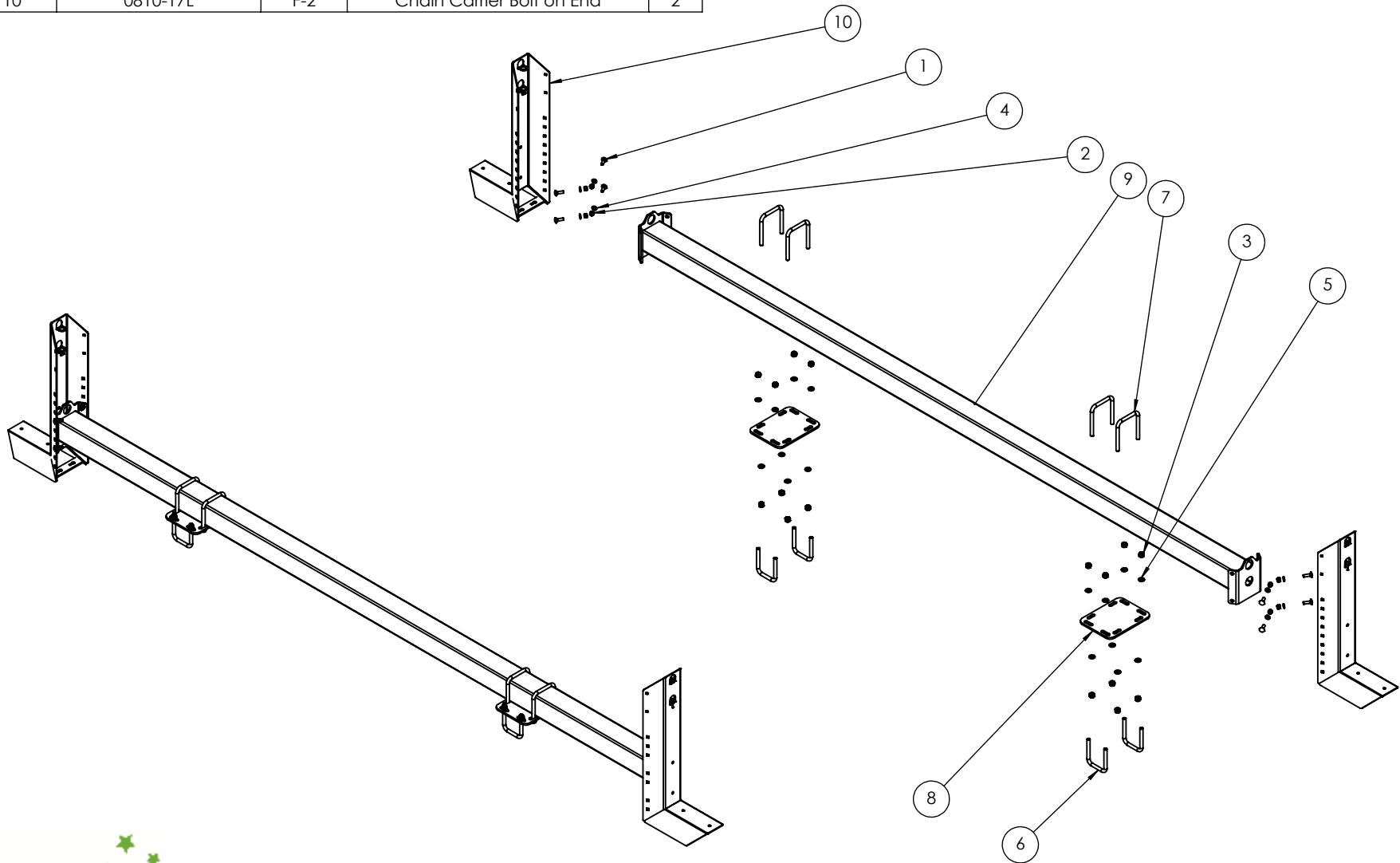
Part Number
1210-20-553

Description
PCHB553 Chain Mount Assembly

For Machines Built:
62HDX (112043-65)-

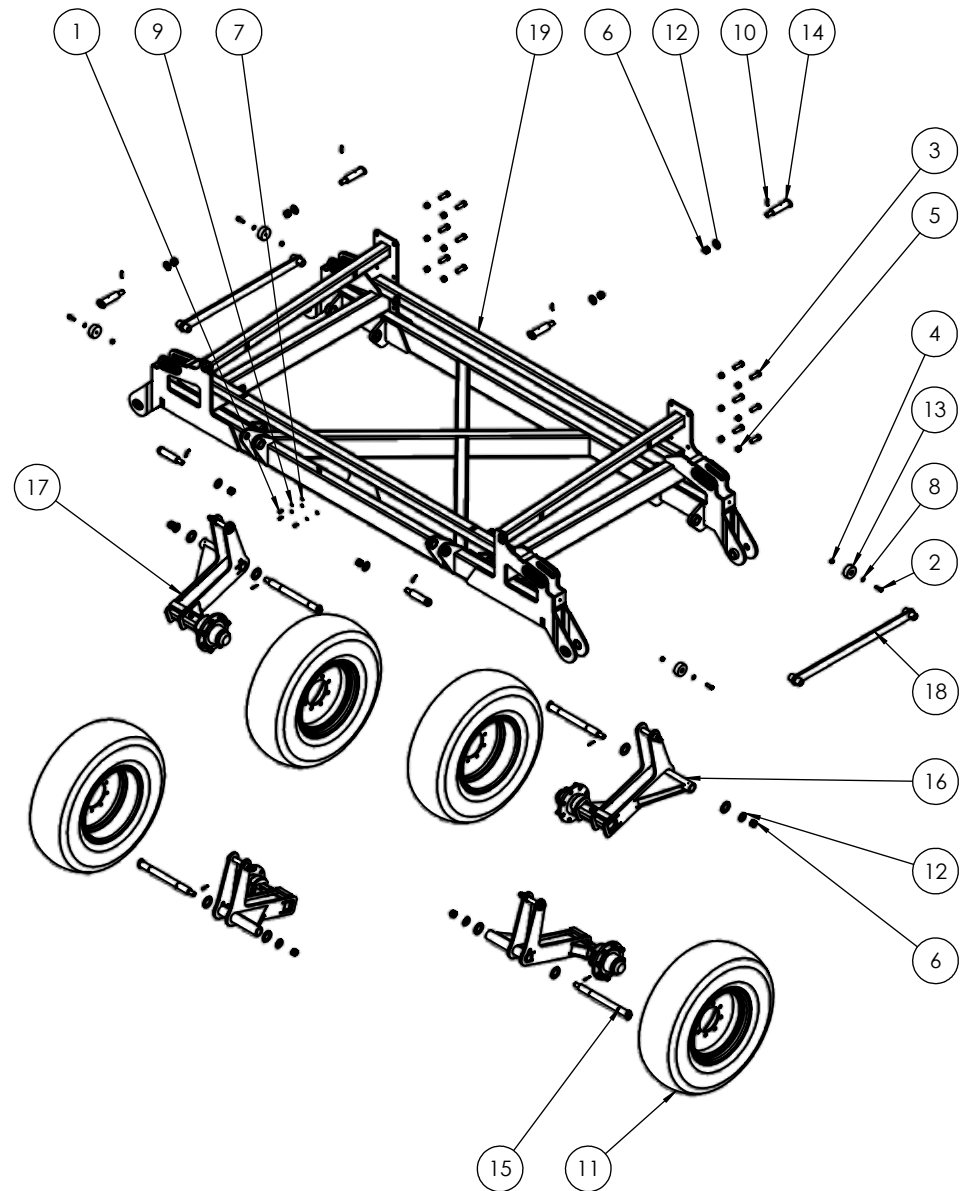
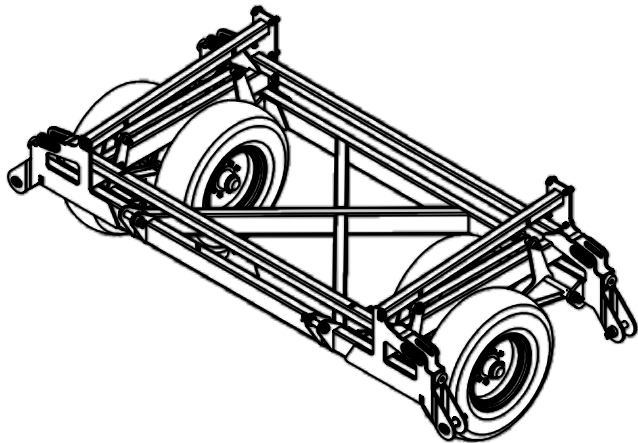
Revision
A

ITEM NO.	PART NUMBER	Revision	DESCRIPTION	QTY.
1	0215-CH1240		M12 x 40 Coach Head Bolt	8
2	0221-NYL12		Nyloc Nut M12	8
3	0221-NYL16		Nyloc Nut M16	16
4	0231-F12		Washer Flat M12	8
5	0231-F16		Washer Flat M16	16
6	0271-16135104		U-Bolt M16 x 135 Deep x 104 Wide	4
7	0271-16160127	A-0	U-Bolt M16 x 160 Deep x 127 Wide	4
8	0800-139.1	C-0	Chain Carrier Mount Plate	2
9	0810-17-60-62HDX	E-0	60'/62HDX Chain Carrier Beam	1
10	0810-17L	F-2	Chain Carrier Bolt on End	2



Part Number 0810-17-65A	Description 62HDX Chain Carrier Assembly	For Machines Built: 65' (112043-65)-	Revision D-1
-----------------------------------	--	---	------------------------

ITEM NO.	PART NUMBER	Revision	DESCRIPTION	QTY.
1	0211-1025	A	M10 x 25 8.8 zp bolt	3
2	0211-1655	A	M16 x 55 8.8 zp Bolt	4
3	0211-2475	A	M24 x 75 8.8 zp Bolt	12
4	0221-NYL16		M16 Nyloc Nut	4
5	0221-NYL24		M24 Nyloc Nut	12
6	0221-NYL30		M30 Nyloc Nut	10
7	0231-F10		M10 zp Flat Washer	3
8	0231-F16		M16 zp Flat Washer	4
9	0231-S10		M10 zp Spring Washer	3
10	0261-PINC650		Cotter Pin M6 x 50mm	10
11	0751-15.5-80-24TR	A	15/80/24 Tyre and Rim	4
12	1200-60	A	50mm Pivot Pin Retaining Washer	10
13	1201-12	A	Wing Folding Buffer	4
14	1202-06A	A	Oval Head 50mm Short Pivot Pin Assembly	6
15	1202-08	A	Oval Head 50mm Long Pivot Pin	4
16	1210-50A	A	RH Walking Axle Assembly	2
17	1210-51A	A	LH Walking Axle Assembly	2
18	1210-52A	A	Walking Axle Linkage Assembly	2
19	1265-01	A	65' Centre Frame	1
20	0232-HT2	A	Washer High Tensile 2"	8



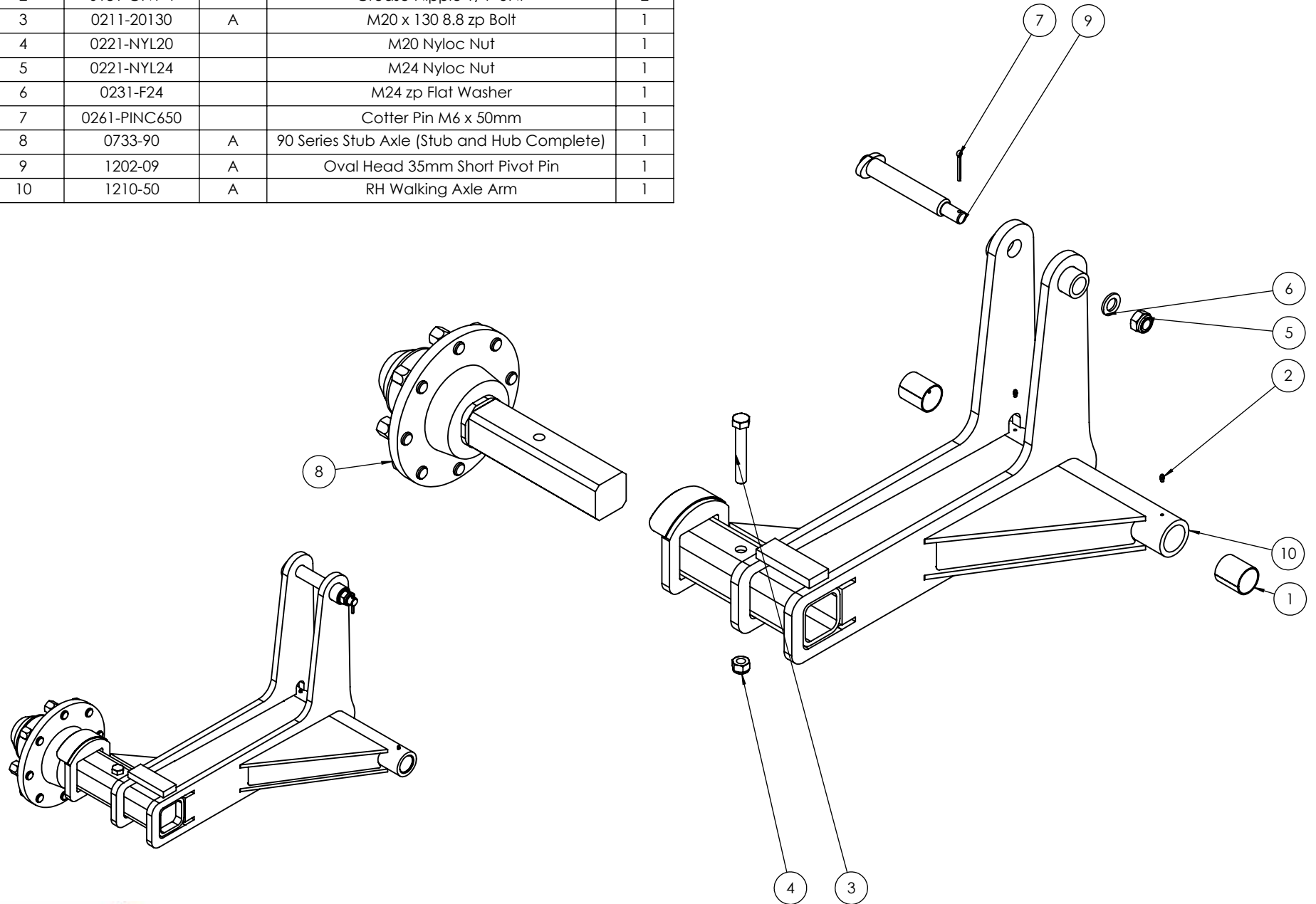
Part Number
1265-01A

Description
62HDX Centre Frame Assembly

For Machines Built:
62HDX (112043-65)-

Revision
A

ITEM NO.	PART NUMBER	Revision	DESCRIPTION	QTY.
1	0113-MB 5060DX	A	50 ID x 60mm DX Bush	2
2	0181-GN1-4		Grease Nipple 1/4" UNF	2
3	0211-20130	A	M20 x 130 8.8 zp Bolt	1
4	0221-NYL20		M20 Nyloc Nut	1
5	0221-NYL24		M24 Nyloc Nut	1
6	0231-F24		M24 zp Flat Washer	1
7	0261-PINC650		Cotter Pin M6 x 50mm	1
8	0733-90	A	90 Series Stub Axle (Stub and Hub Complete)	1
9	1202-09	A	Oval Head 35mm Short Pivot Pin	1
10	1210-50	A	RH Walking Axle Arm	1



Part Number

1210-50A

Description

RH Walking Axle Assembly

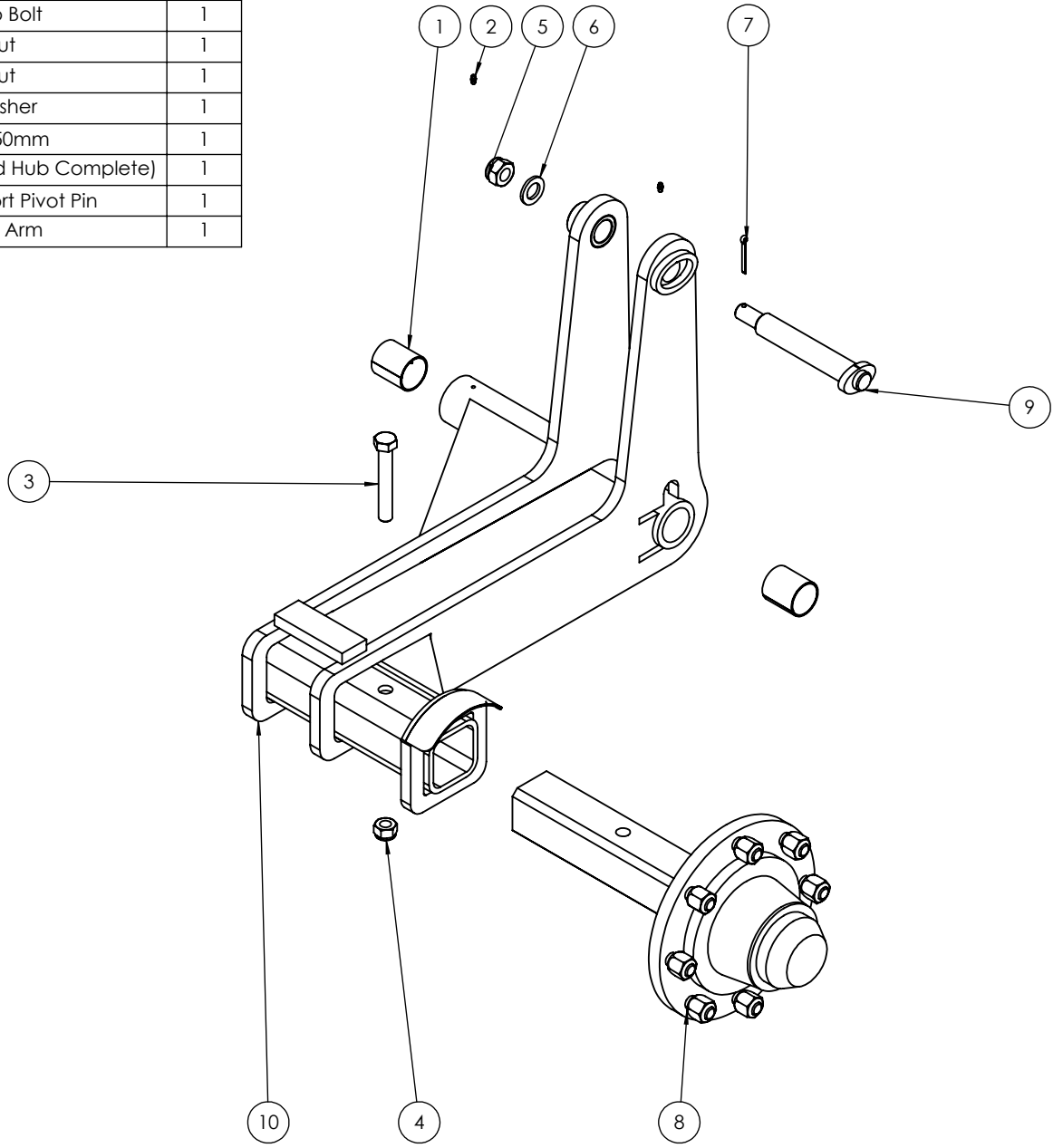
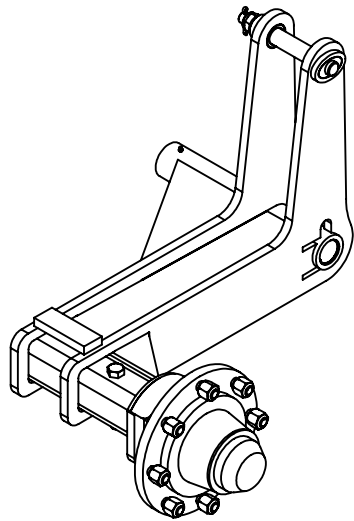
For Machines Built:

62HDX (112043-65)-

Revision

A

ITEM NO.	PART NUMBER	Revision	DESCRIPTION	QTY.
1	0113-MB 5060DX	A	50 ID x 60mm DX Bush	2
2	0181-GN1-4		Grease Nipple 1/4" UNF	2
3	0211-20130	A	M20 x 130 8.8 zp Bolt	1
4	0221-NYL20		M20 Nyloc Nut	1
5	0221-NYL24		M24 Nyloc Nut	1
6	0231-F24		M24 zp Flat Washer	1
7	0261-PINC650		Cotter Pin M6 x 50mm	1
8	0733-90	A	90 Series Stub Axle (Stub and Hub Complete)	1
9	1202-09	A	Oval Head 35mm Short Pivot Pin	1
10	1210-51	A	LH Walking Axle Arm	1



Part Number

1210-51A

Description

LH Walking Axle Assembly

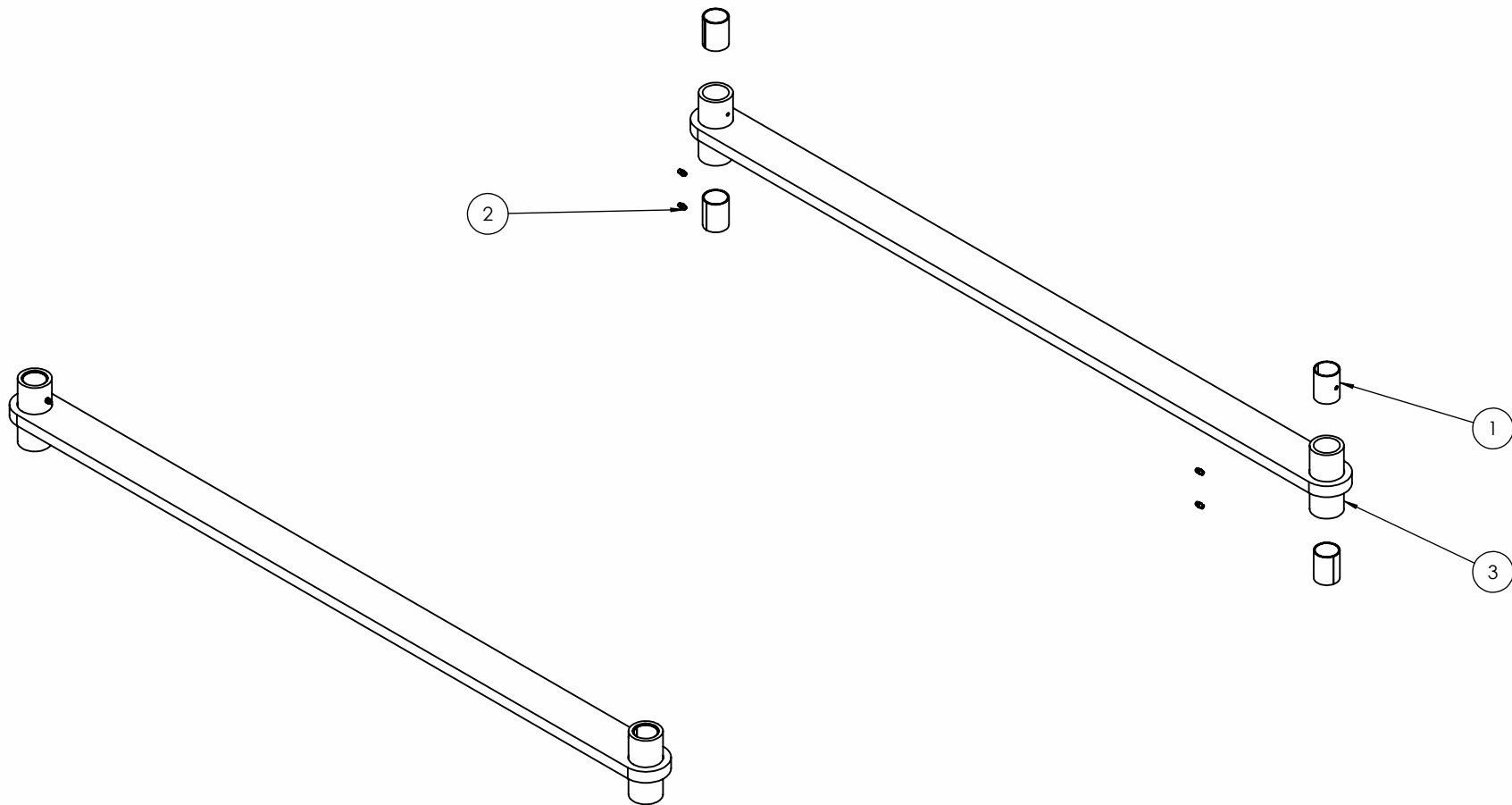
For Machines Built:

62HDX (112043-65)-

Revision

A

ITEM NO.	PART NUMBER	Revision	DESCRIPTION	QTY.
1	0113-MB 3550DX	A	35 ID x 50mm DX Bush	4
2	0181-GN1-4		Grease Nipple 1/4" UNF	4
3	1210-52	A	Walking Axle Linkage	1



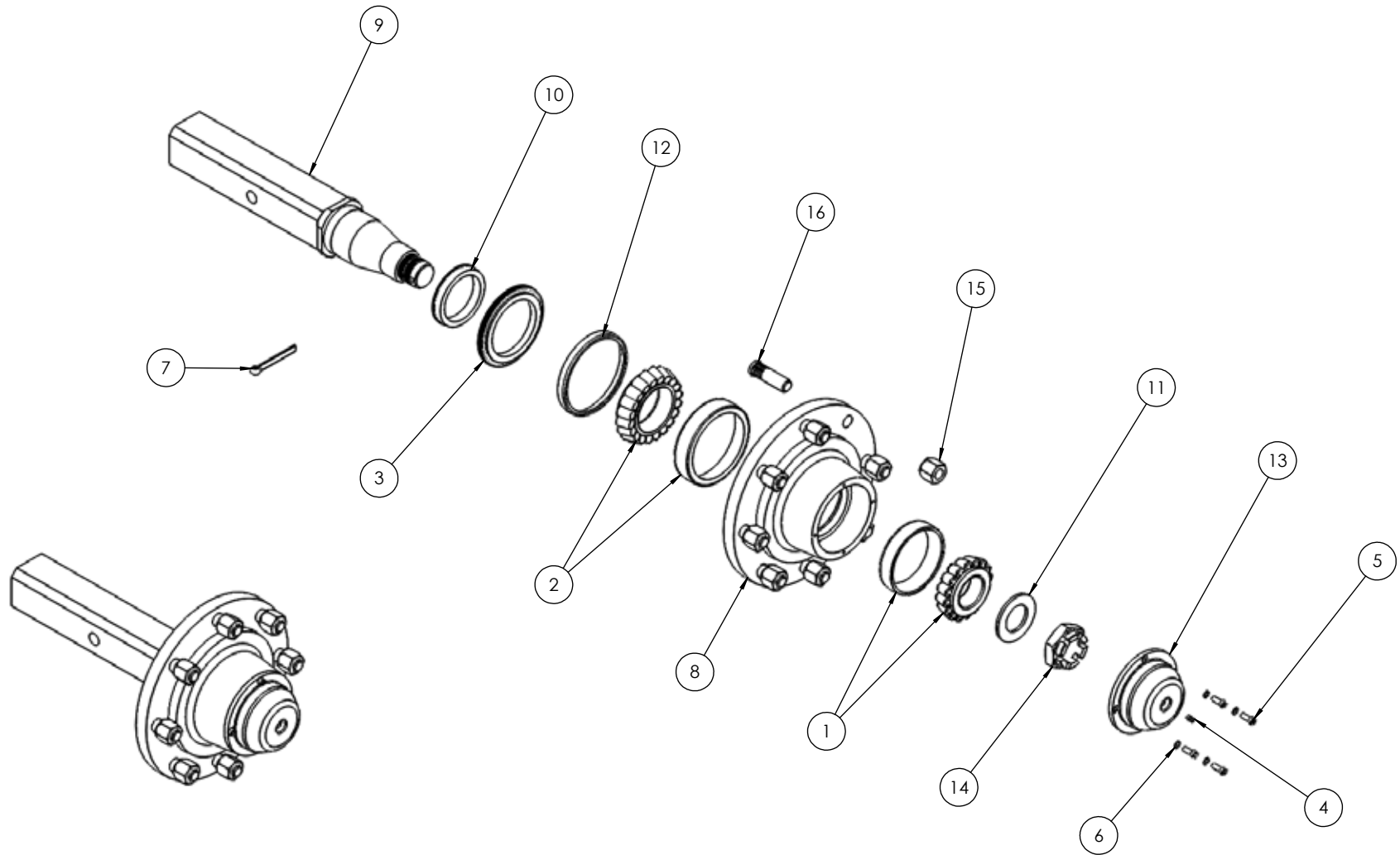
Part Number
1210-52A

Description
Walking Axle Linkage Assembly

For Machines Built:
62HDX (112043-65)-

Revision
A

ITEM NO.	PART NUMBER	Revision	DESCRIPTION	QTY.	ITEM NO.	PART NUMBER	Revision	DESCRIPTION	QTY.
1	0111-30311		Bearing 30311 (Cup & Cone)	1	9	0732-90S	A	90 Series Stub Axle (stub only)	1
2	0111-32216		Bearing 32216 (Cup & Cone)	1	10	0741-90SR	A	90 Series Axle Seal Ring	1
3	0121-X3-14010012	A	Triple Lip Seal 140 x 100 x 12mm	1	11	0741-90W	A	90 Series Axle Washer	1
4	0181-GN1-4		Grease Nipple 1/4" UNF	1	12	0741-90WR	A	90 Series Axle Wear Ring	1
5	0211-SH620		Socket Head Bolt M6 x 20mm	4	13	0741-D-CAP90	A	Dust Cap Bolt On Titan 90 Series	1
6	0231-SL6		Serrated Lock Washer M6	4	14	0741-NCASTM45	A	Castle Nut M45 x 1.5	1
7	0261-PINC880		Cotter Pin M8 x 80mm	1	15	0741-NWHM20	A	Wheel Nut M20 x 1.5 Radiused	8
8	0732-90H	A	90 Series 8 on 275mm Hub (Hub only)	1	16	0741-WS20	A	M20 Wheel Stud Titan 90 Series	8



Keliv★

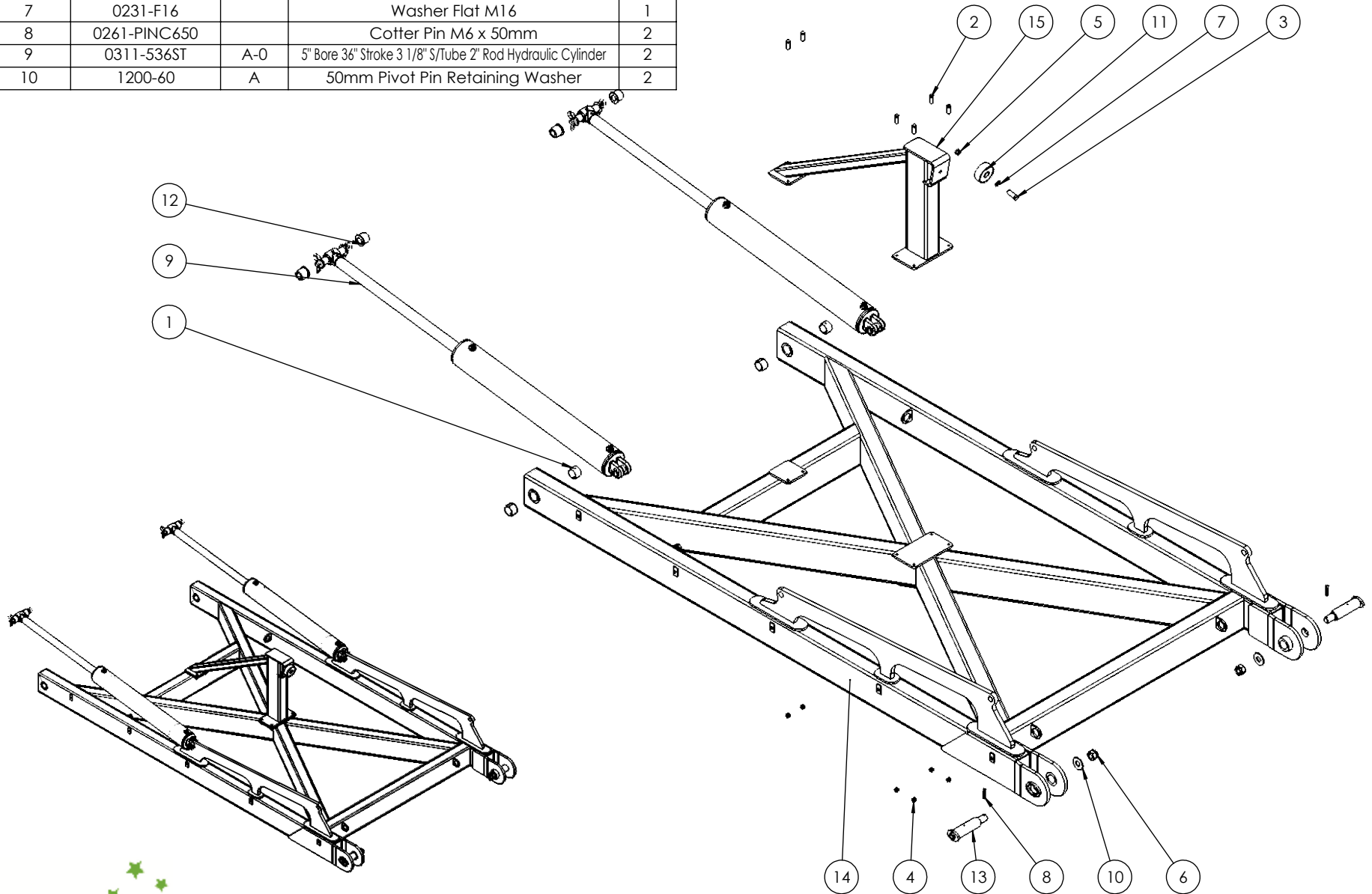
Part Number
0733-90

Description
90 Series Stub Axle (Stub and Hub Complete)

For Machines Built:
62HDX (112043-65)-

Revision
A

ITEM NO.	PART NUMBER	Revision	DESCRIPTION	QTY.	ITEM NO.	PART NUMBER	Revision	DESCRIPTION	QTY.
1	0113-MB 5040DX	A	50 ID x 40mm DX Bush	4	11	1201-12	A	Wing Folding Buffer	1
2	0211-1245		M12 x 45 grade 8.8 ZP Bolt	6	12	1201-19	A	Long Cylinder Pin Bearing Bush	4
3	0211-1655	A	M16 x 55 grade 8.8 zp Bolt	1	13	1202-06A	A	Oval Head 50mm Short Pivot Pin Assembly	2
4	0221-NYL12		Nyloc Nut M12	6	14	1265-04	C-2	65' Right Hand Inner Wing	1
5	0221-NYL16		Nyloc Nut M16	1	15	1265-04P	A-1	65' Inner Wing Post	1
6	0221-NYL30		Nyloc Nut M30	2					
7	0231-F16		Washer Flat M16	1					
8	0261-PINC650		Cotter Pin M6 x 50mm	2					
9	0311-536ST	A-0	5" Bore 36" Stroke 3 1/8" S/Tube 2" Rod Hydraulic Cylinder	2					
10	1200-60	A	50mm Pivot Pin Retaining Washer	2					

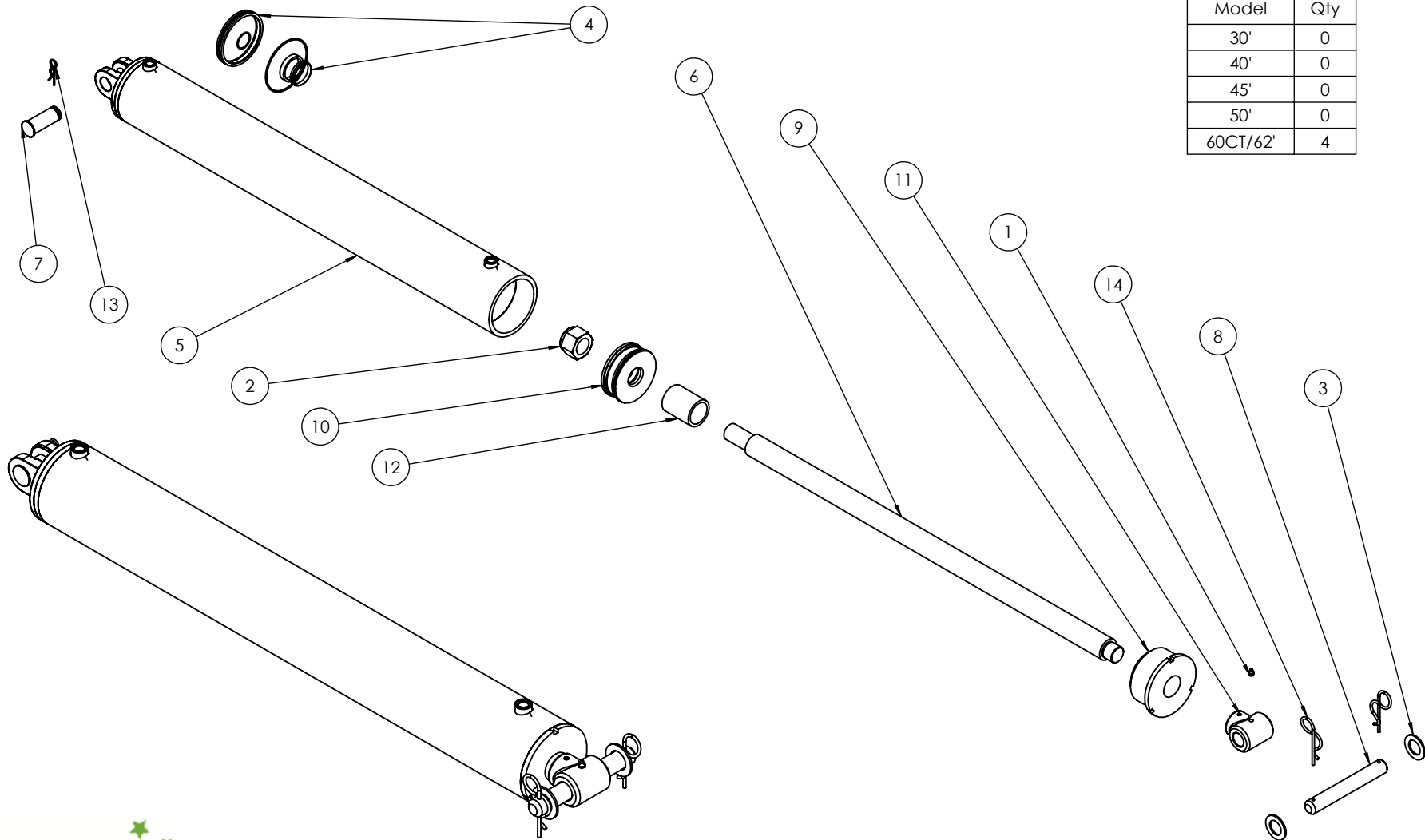


Part Number 1265-04A	Description 65' Right Hand Inner Wing Assembly	For Machines Built: 65'(112043-65)-	Revision A-1
--------------------------------	--	--	------------------------

ITEM NO.	PART NUMBER	Revision	DESCRIPTION	QTY.	ITEM NO.	PART NUMBER	Revision	DESCRIPTION	QTY.
1	0181-GN1-8	A	Grease Nipple 1/8" BSP	1	8	0313-NCP1 1-4X230	A-0	Cylinder Pin 1 1/4" x 230mm 4140	1
2	0223-NYL11-2		Nyloc Nut 1 1/2" UNF	1	9	0313-NG2X5	A-0	Cylinder Gland 2" Rod x 5" Barrel	1
3	0232-F11-4		Washer Flat 1 1/4"	2	10	0313-NP5	A-0	Hydraulic Cylinder Piston 5"	1
4	0312-N5	A-0	Nordon 4" Cylinder Seal Kit	1	11	0313-NRK1 1-4X1 1-2	A-0	Hydraulic Cylinder Rod Knuckle 1 1/4" Pin x 1 1/2" Thread	1
5	0313-536ST-B	A-0	5" Bore 36" Stroke 3 1/8" S/Tube 2" Rod Cylinder Barrel	1	12	0313-STUBE2X3 1-8	A-0	Hydraulic Cylinder Stop Tube 2" ID x 3 1/8" (80mm) Long	1
6	0313-536ST-R	A-0	Rod for 5" Bore 36" Stroke 3 1/8" S/Tube Cylinder	1	13	0511-RCLIP3		R Clip 3mm	1
7	0313-NCP1 1-2X75	A-0	Hydraulic Cylinder Pin 1 1/2" x 75mm	1	14	0801-KE012	A	S Locking Pin Clip 5mm	2

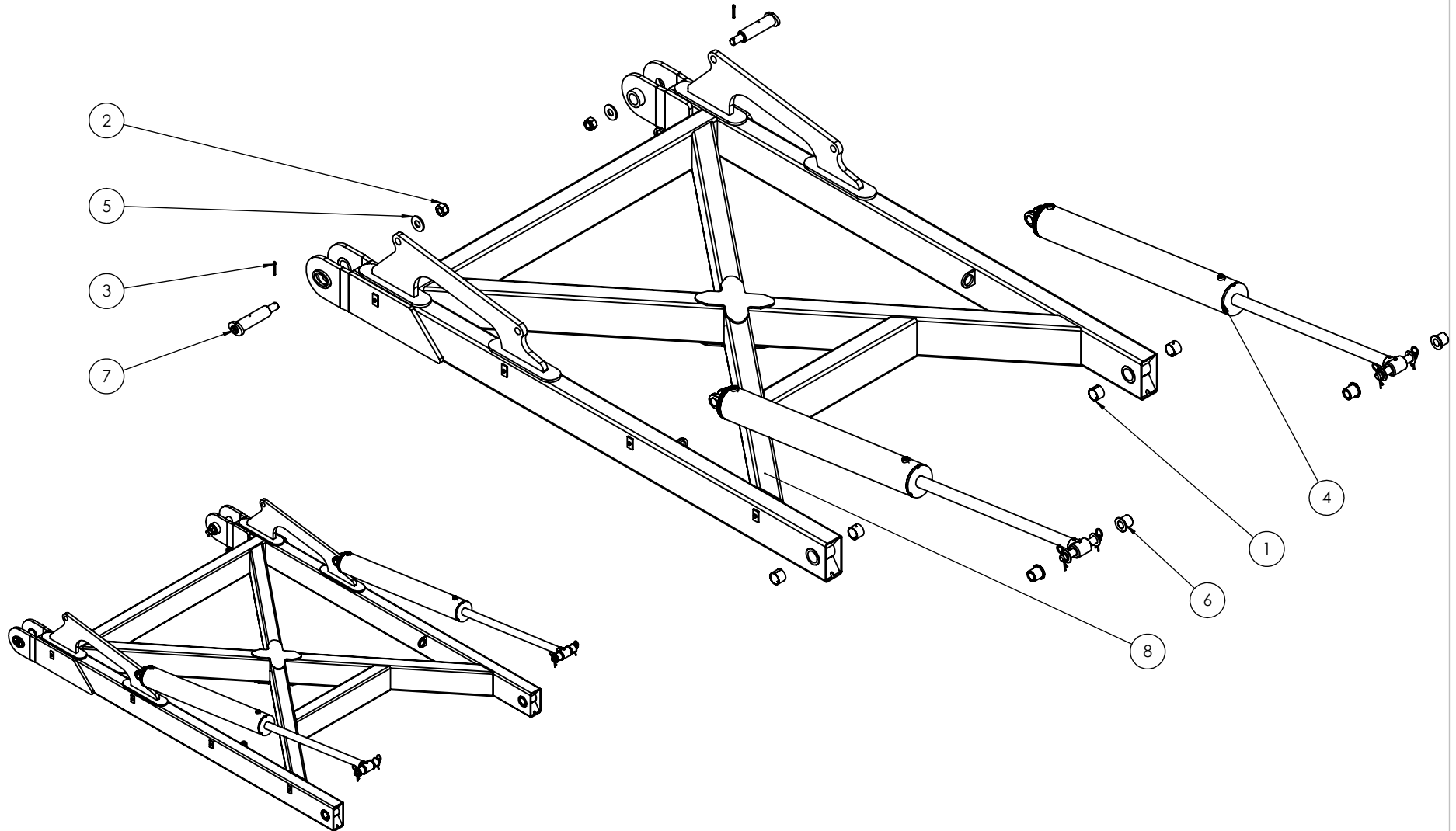
Note: Replaces Cylinder 0311-2956

Model	Qty
30'	0
40'	0
45'	0
50'	0
60CT/62'	4



Part Number 0311-536ST	Description 5" Bore 36" Stroke 3 1/8" S/Tube 2" Rod Hydraulic Cylinder	For Machines Built:	Revision A-0
----------------------------------	---	---------------------	-----------------

ITEM NO.	PART NUMBER	Revision	DESCRIPTION	QTY.
1	0113-MB 5040DX	A	50 ID x 40mm DX Bush	4
2	0221-NYL30		Nyloc Nut M30	2
3	0261-PINC650		Cotter Pin M6 x 50mm	2
4	0311-536ST	A-0	5" Bore 36" Stroke 3 1/8" S/Tube 2" Rod Hydraulic Cylinder	2
5	1200-60	A	50mm Pivot Pin Retaining Washer	2
6	1201-19	A	Long Cylinder Pin Bearing Bush	4
7	1202-06A	A	Oval Head 50mm Short Pivot Pin Assembly	2
8	1265-05	C-2	65' Left Hand Inner Wing	1



Part Number

1265-05A

Description

65' Left Hand Inner Wing Assembly

For Machines Built:

65'(112043-65)-

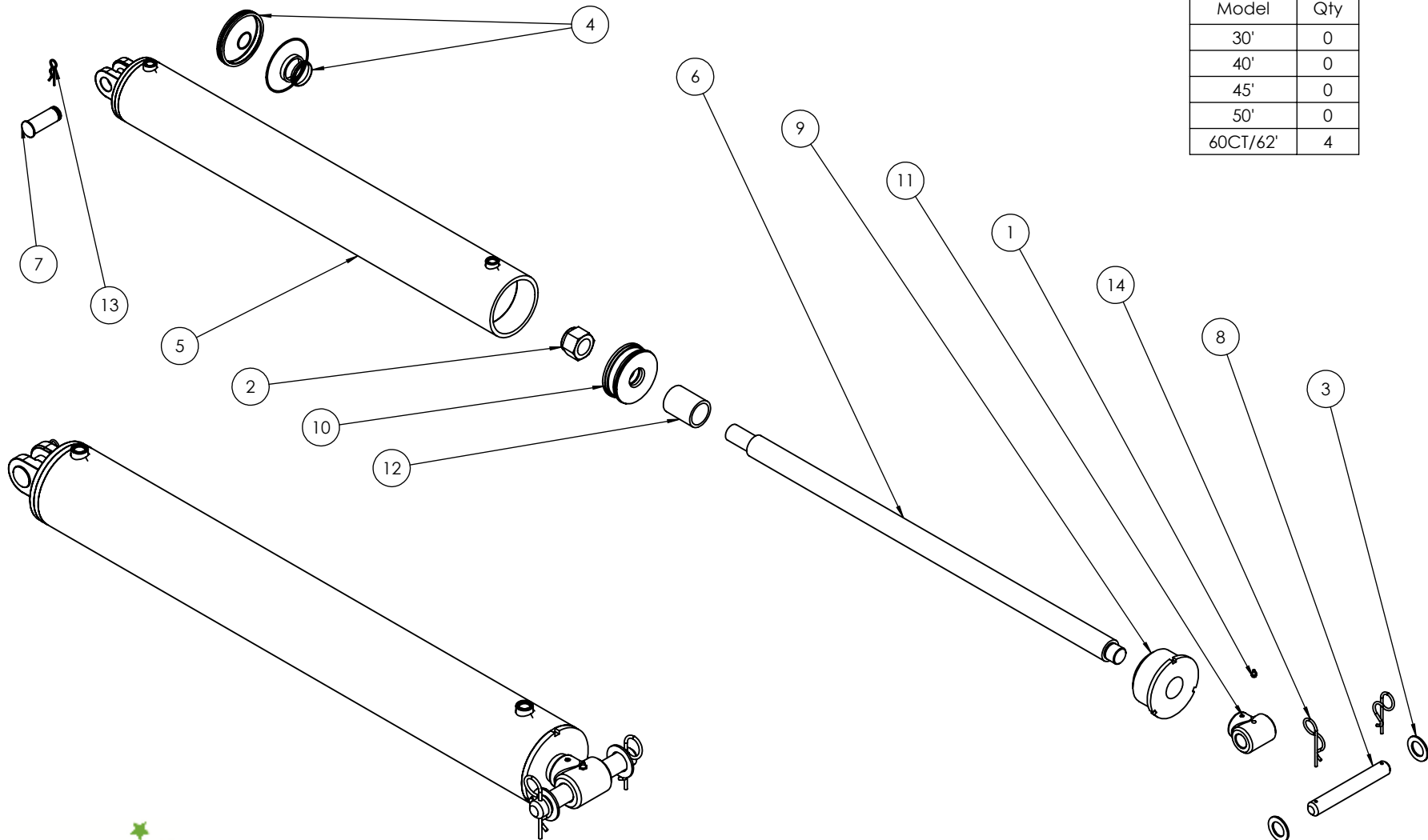
Revision

A-1

ITEM NO.	PART NUMBER	Revision	DESCRIPTION	QTY.	ITEM NO.	PART NUMBER	Revision	DESCRIPTION	QTY.
1	0181-GN1-8	A	Grease Nipple 1/8" BSP	1	8	0313-NCP1 1-4X230	A-0	Cylinder Pin 1 1/4" x 230mm 4140	1
2	0223-NYL11-2		Nyloc Nut 1 1/2" UNF	1	9	0313-NG2X5	A-0	Cylinder Gland 2" Rod x 5" Barrel	1
3	0232-F11-4		Washer Flat 1 1/4"	2	10	0313-NP5	A-0	Hydraulic Cylinder Piston 5"	1
4	0312-N5	A-0	Nordon 4" Cylinder Seal Kit	1	11	0313-NRK1 1-4X1 1-2	A-0	Hydraulic Cylinder Rod Knuckle 1 1/4" Pin x 1 1/2" Thread	1
5	0313-536ST-B	A-0	5" Bore 36" Stroke 3 1/8" S/Tube 2" Rod Cylinder Barrel	1	12	0313-STUBE2X3 1-8	A-0	Hydraulic Cylinder Stop Tube 2" ID x 3 1/8" (80mm) Long	1
6	0313-536ST-R	A-0	Rod for 5" Bore 36" Stroke 3 1/8" S/Tube Cylinder	1	13	0511-RCLIP3		R Clip 3mm	1
7	0313-NCP1 1-2X75	A-0	Hydraulic Cylinder Pin 1 1/2" x 75mm	1	14	0801-KE012	A	S Locking Pin Clip 5mm	2

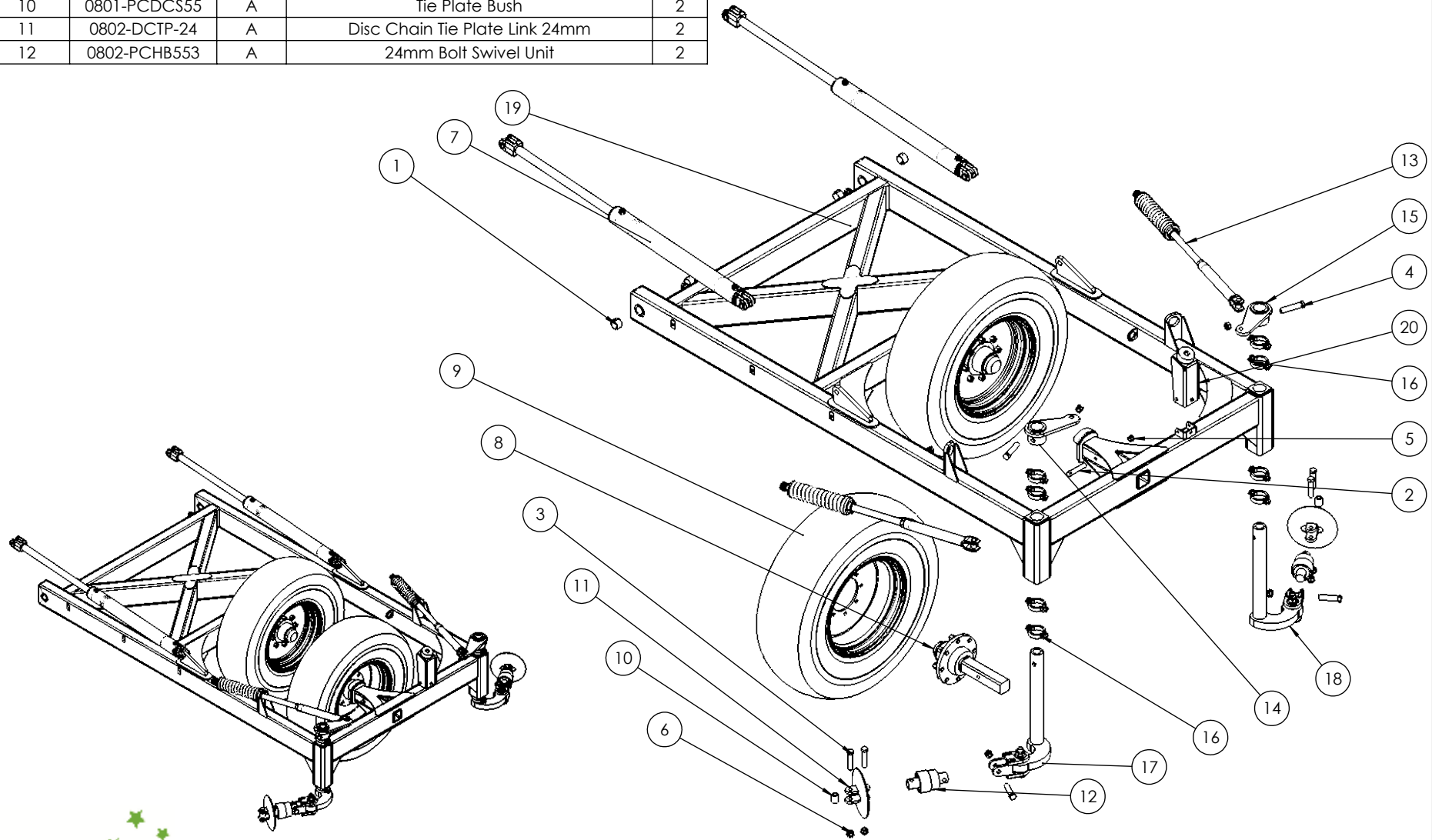
Note: Replaces Cylinder 0311-2956

Model	Qty
30'	0
40'	0
45'	0
50'	0
60CT/62'	4



Part Number 0311-536ST	Description 5" Bore 36" Stroke 3 1/8" S/Tube 2" Rod Hydraulic Cylinder	For Machines Built:	Revision A-0
----------------------------------	---	---------------------	-----------------

ITEM NO.	PART NUMBER	Revision	DESCRIPTION	QTY.	ITEM NO.	PART NUMBER	Revision	DESCRIPTION	QTY.
1	0113-MB 5040DX	A	50 ID x 40mm DX Bush	4	13	0802-PCHTAA	A	Chain Tension Assembly	2
2	0211-20130	A	M20 x 130 grade 8.8 ZP Bolt	1	14	0810-26	B	LH Chain Adjusting Lug	1
3	0211-24120ST	A	M24 x 120 grade 10.9 zp Short Thread Bolt	6	15	0810-27	B	RH Chain Adjusting Lug	1
4	0211-24140	A	M24 x 140 grade 8.8 zp Bolt	2	16	1202-148	A	Round Drop Leg Height Adjustor Assembly	8
5	0221-NYL20		Nyloc Nut M20	1	17	1210-24-553	B-0	Heavy Duty LH Drop Leg Assembly 553	1
6	0221-NYL24		Nyloc Nut M24	8	18	1210-25-553	B-0	Heavy Duty RH Drop Leg Assembly 553	1
7	0311-3532ST	A-0	3.5" Bore 32" Stroke 4" S/Tube 1.75" Rod Hydraulic Cylinder	2	19	1265-06	E-0	65' Right Hand Outer Wing	1
8	0733-90	A	90 Series Stub Axle (Stub and Hub Complete)	2	20	1265-06PA	A	65' Outer Wing Post Assembly	1
9	0751-15.5-80-24TR	A	15.5/80-24 Tyre on 8 on 275mm PCD Rim	2					
10	0801-PCDCS55	A	Tie Plate Bush	2					
11	0802-DCTP-24	A	Disc Chain Tie Plate Link 24mm	2					
12	0802-PCHB553	A	24mm Bolt Swivel Unit	2					



Part Number

1265-06A

Description

65' Right Hand Outer Wing Assembly

For Machines Built:

62HDX (118065-62HDX)-

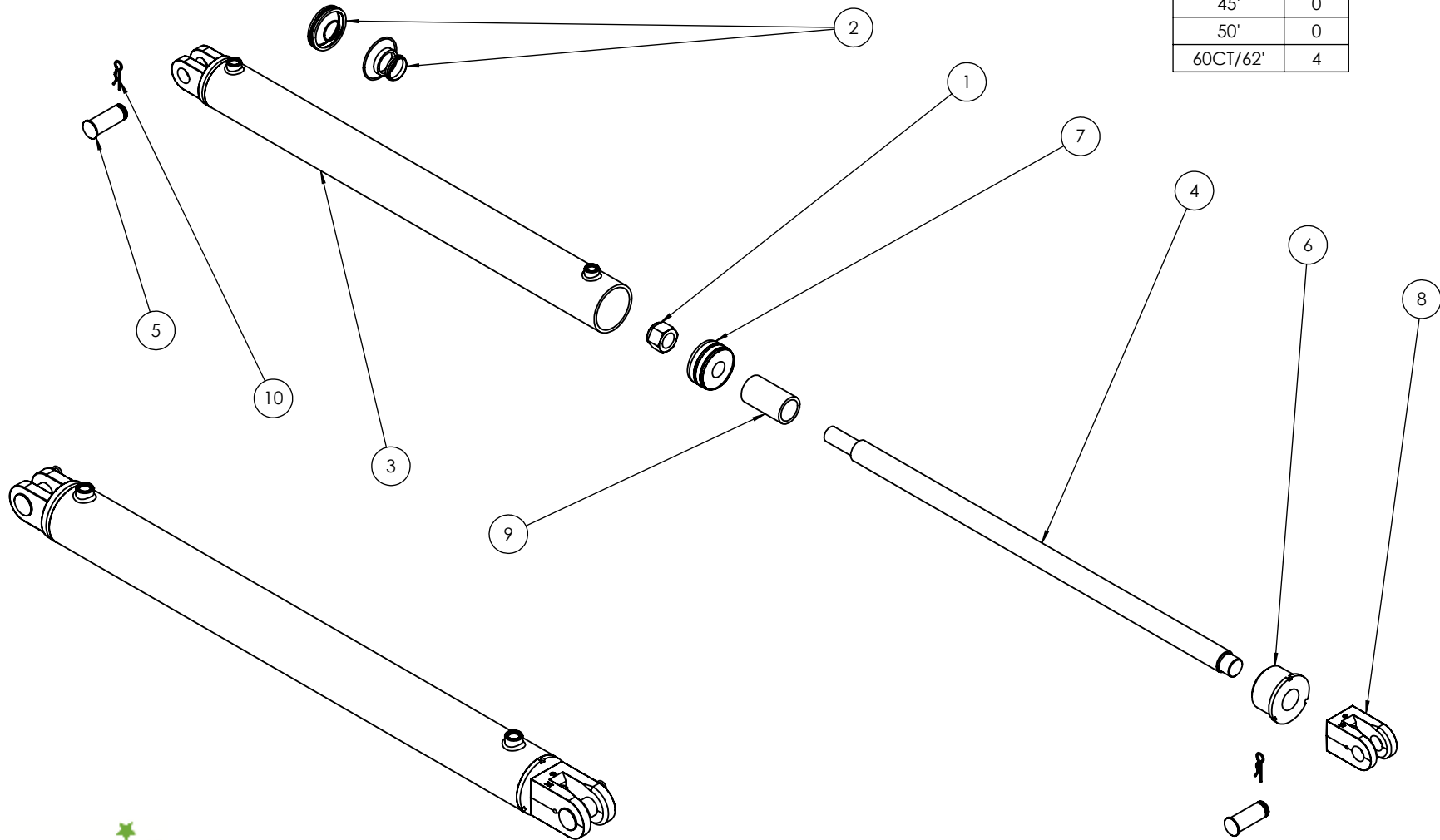
Revision

B-0

ITEM NO.	PART NUMBER	Revision	DESCRIPTION	QTY.
1	0223-NYL11-4		Nyloc Nut 1 1/4" UNF	1
2	0312-N35	A-0	Nordon 3.5" Cylinder Seal Kit	1
3	0313-3532ST-B	A-0	3.5" Bore 32" Stroke 4" Stop Tube Cylinder Barrel	1
4	0313-3532ST-R	A-0	Rod for 3.5" Bore 32" Stroke 4" S/Tube Cylinder	1
5	0313-NCP1 1-2X75	A-0	Hydraulic Cylinder Pin 1 1/2" x 75mm	2
6	0313-NG175x35	A-0	Cylinder Gland 1.75" Rod x 3.5" Barrel	1
7	0313-NP35	A-0	Hydraulic Cylinder Piston 3 1/2"	1
8	0313-NRC1 1-2X1 1-2	A-0	Hydraulic Cylinder Rod Clevis 1 1/2" Pin x 1 1/2" Thread	1
9	0313-STUBE1 3-4X4	A-0	Hydraulic Cylinder Stop Tube 1 3/4" ID x 4" Long	1
10	0511-RCLIP3		R Clip 3mm	2

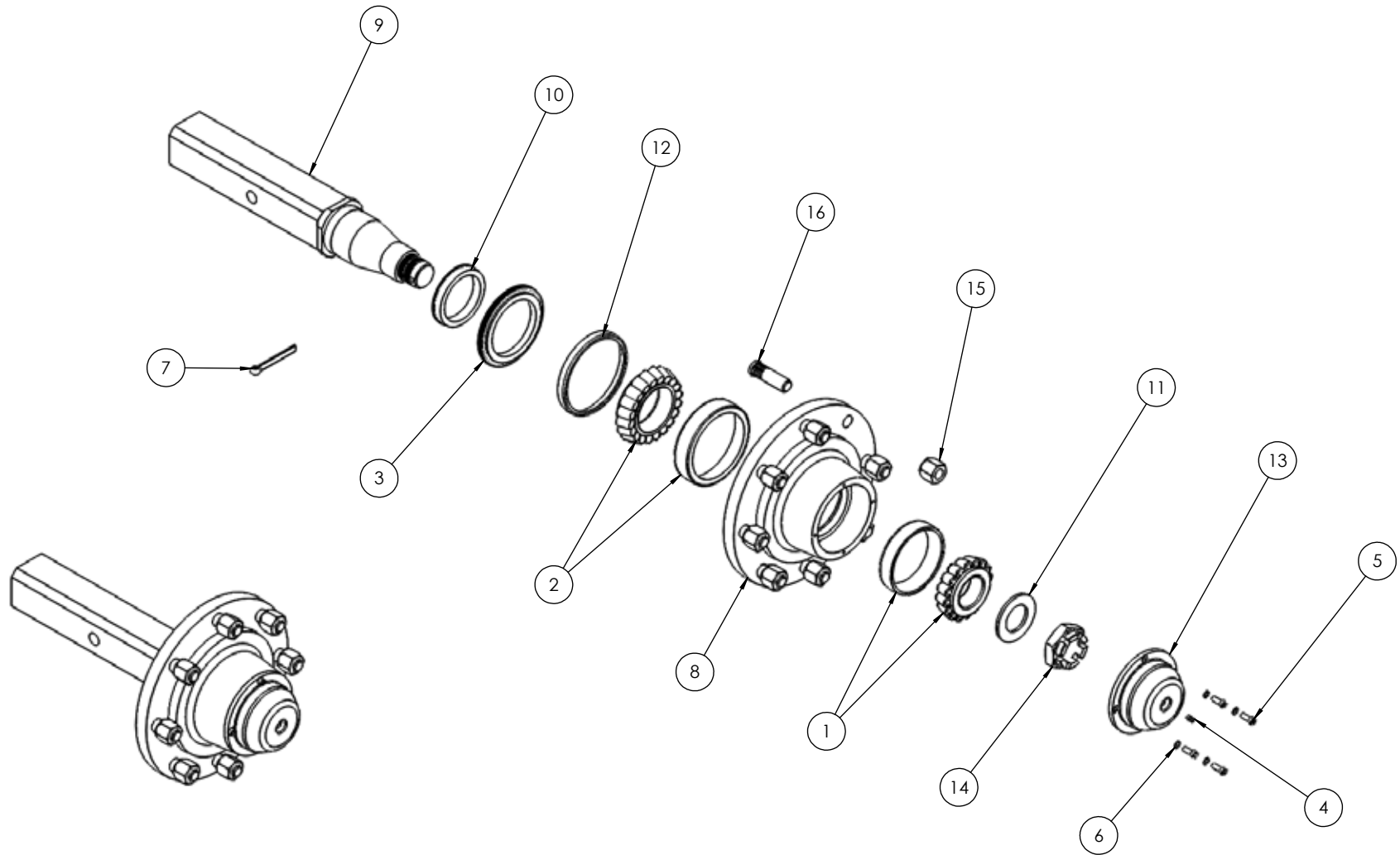
Note: Replaces Cylinder 0311-6896

Model	Qty
30'	0
40'	0
45'	0
50'	0
60CT/62'	4



Part Number	Description	For Machines Built:	Revision
0311-3532ST	3.5" Bore 32" Stroke 4" S/Tube 1.75" Rod Hydraulic Cylinder		A-0

ITEM NO.	PART NUMBER	Revision	DESCRIPTION	QTY.	ITEM NO.	PART NUMBER	Revision	DESCRIPTION	QTY.
1	0111-30311		Bearing 30311 (Cup & Cone)	1	9	0732-90S	A	90 Series Stub Axle (stub only)	1
2	0111-32216		Bearing 32216 (Cup & Cone)	1	10	0741-90SR	A	90 Series Axle Seal Ring	1
3	0121-X3-14010012	A	Triple Lip Seal 140 x 100 x 12mm	1	11	0741-90W	A	90 Series Axle Washer	1
4	0181-GN1-4		Grease Nipple 1/4" UNF	1	12	0741-90WR	A	90 Series Axle Wear Ring	1
5	0211-SH620		Socket Head Bolt M6 x 20mm	4	13	0741-D-CAP90	A	Dust Cap Bolt On Titan 90 Series	1
6	0231-SL6		Serrated Lock Washer M6	4	14	0741-NCASTM45	A	Castle Nut M45 x 1.5	1
7	0261-PINC880		Cotter Pin M8 x 80mm	1	15	0741-NWHM20	A	Wheel Nut M20 x 1.5 Radiused	8
8	0732-90H	A	90 Series 8 on 275mm Hub (Hub only)	1	16	0741-WS20	A	M20 Wheel Stud Titan 90 Series	8



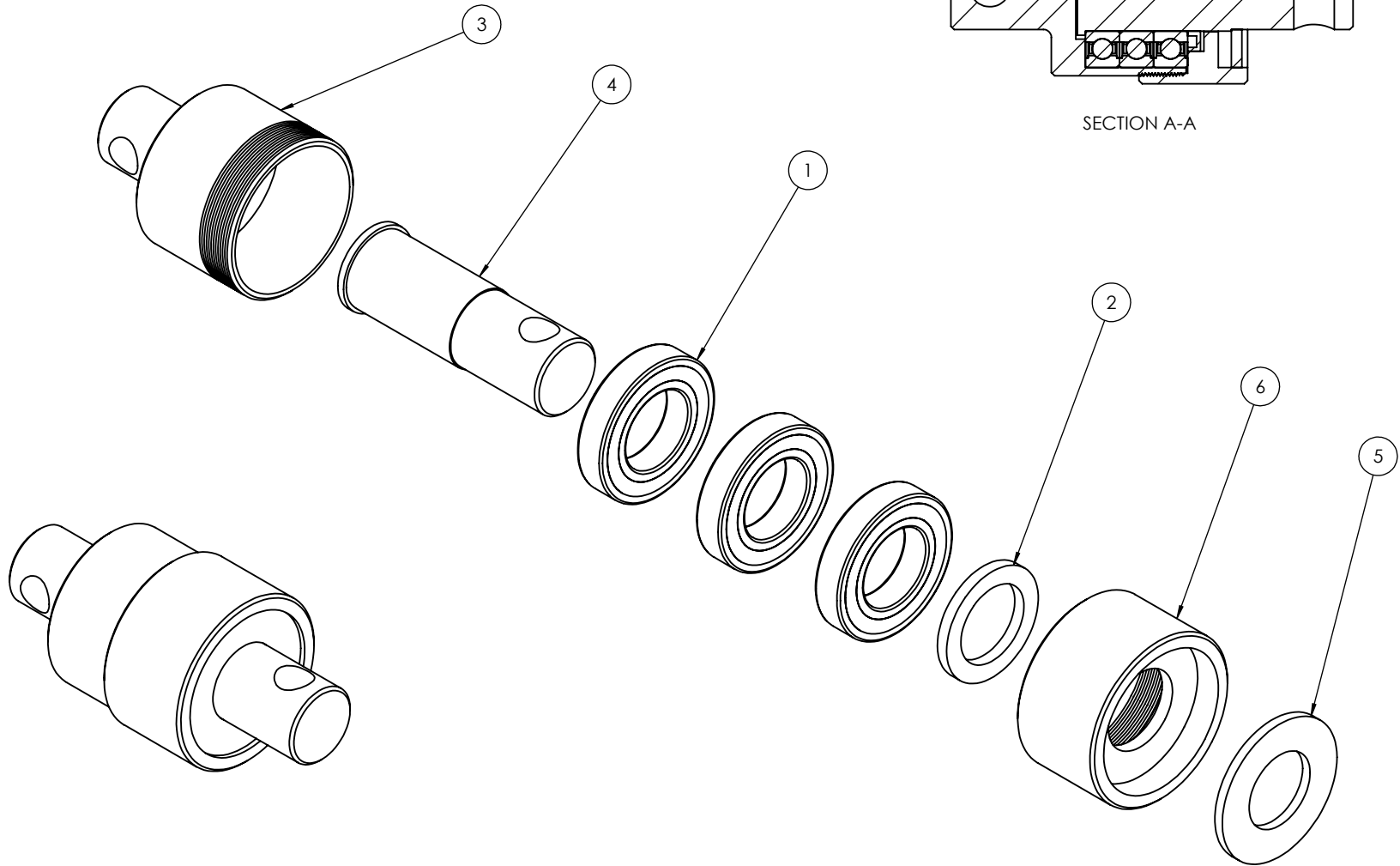
Part Number
0733-90

Description
90 Series Stub Axle (Stub and Hub Complete)

For Machines Built:
62HDX (112043-65)-

Revision
A

ITEM NO.	PART NUMBER	Revision	DESCRIPTION	QTY.
1	0112-6211		Bearing 6211 2RS	3
2	0121-TC12616		TC12616 Seal 55mm x 80mm x 8mm	1
3	0801-PCHB553H	A	Housing to Suit PCHB553 Swivel	1
4	0801-PCHB553S	A	Shaft To Suit PCHB553 Swivel	1
5	0801-PCHB553WA	A-1	Washer To Suit PCHB553 Swivel	1
6	0801-PCHB553C	A	Cap To Suit PCHB553 Swivel	1



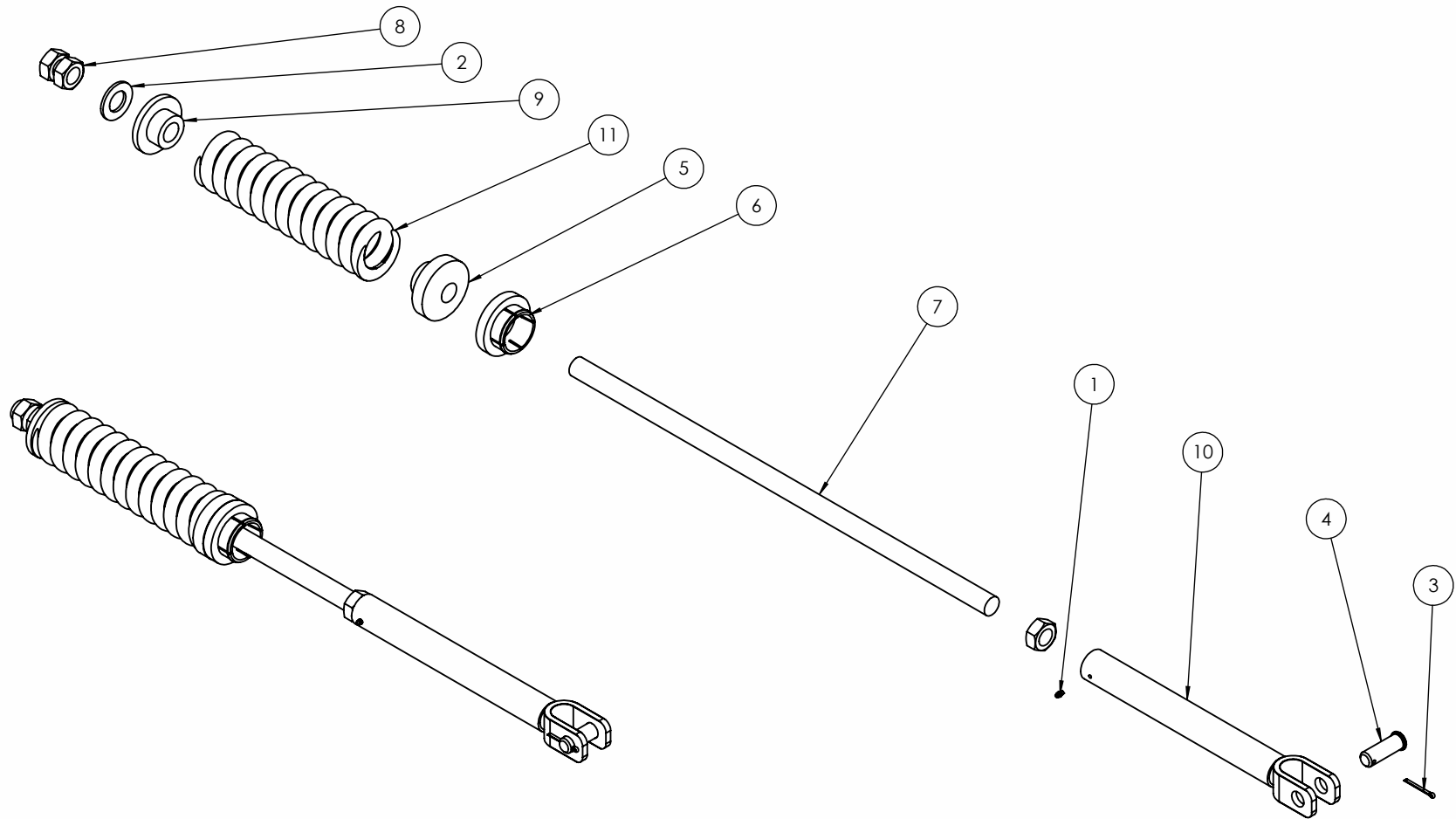
Part Number
0802-PCHB553

Description
24mm Bolt Swivel Unit

For Machines Built:
65'(112043-65)-

Revision
A-1

ITEM NO.	PART NUMBER	Revision	DESCRIPTION	QTY.
1	0181-GN1-4		Grease Nipple 1/4" UNF	1
2	0232-HT11-4		Washer High Tensile 1 1/4"	1
3	0261-PINC550	A	Cotter Pin M5 x 50	1
4	0801-KE0307-1	A	Clevis Pin 25mm x 75mm	1
5	0801-KE0805-3	B	Tensioner Cup - Male	1
6	0801-KE0805-4	D	Female Spring Locator	1
7	0801-PCHTA-B6	A	6tpi 1.24" Tension Bolt	1
8	0801-PCHTA-N6	A	32mm 6 tpi ACME Lock Nut	3
9	0801-PCHTA-SB	B	Steel Spring Retaining Bush	1
10	0801-PCHTABC	A	Tension Assembly Body with Clevis	1
11	0801-XK9261S	A	20mm Coil Spring	1



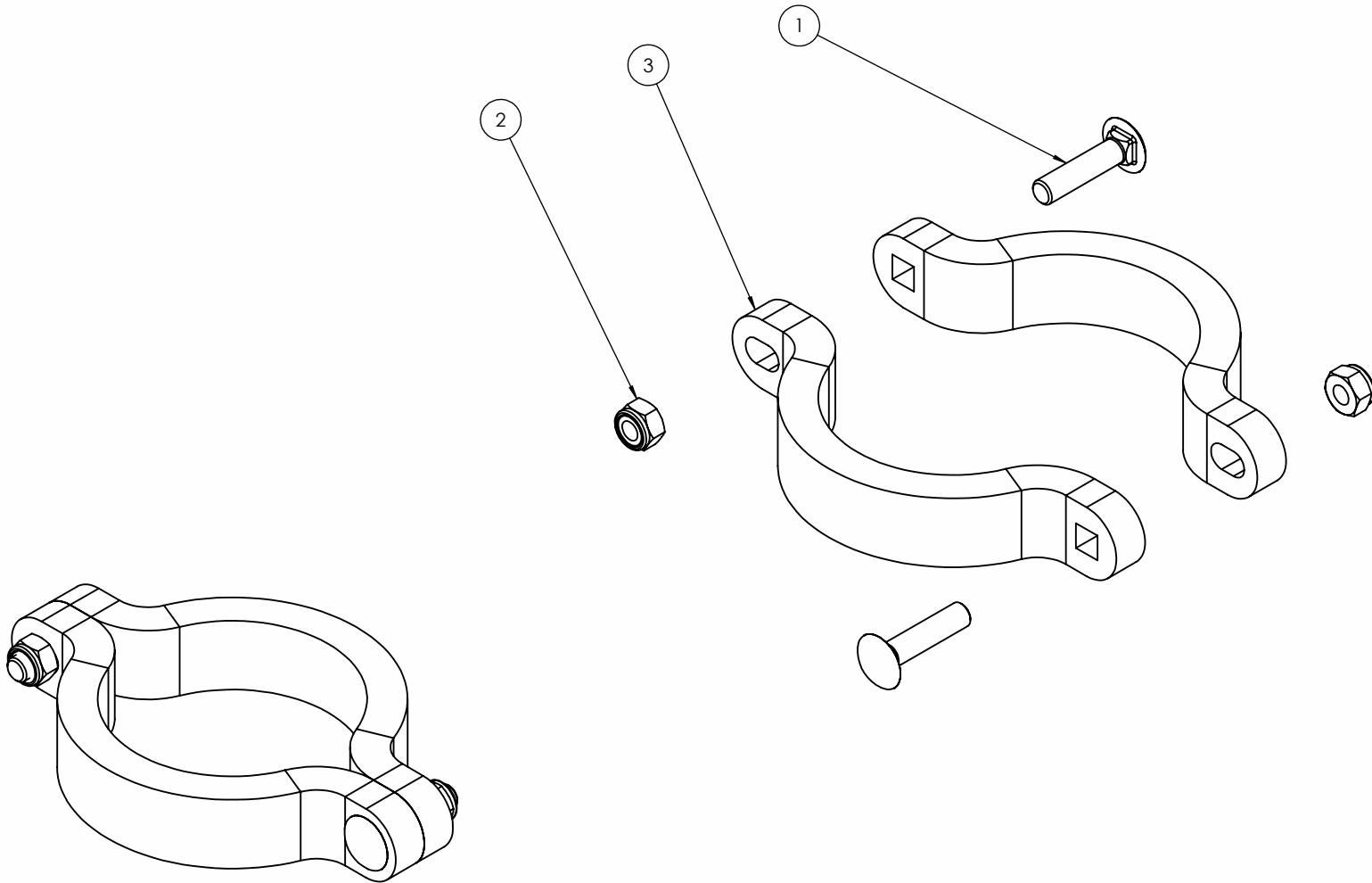
Part Number
0802-PCHTAA

Description
Chian Tension Assembly

For Machines Built:
All(2006)-

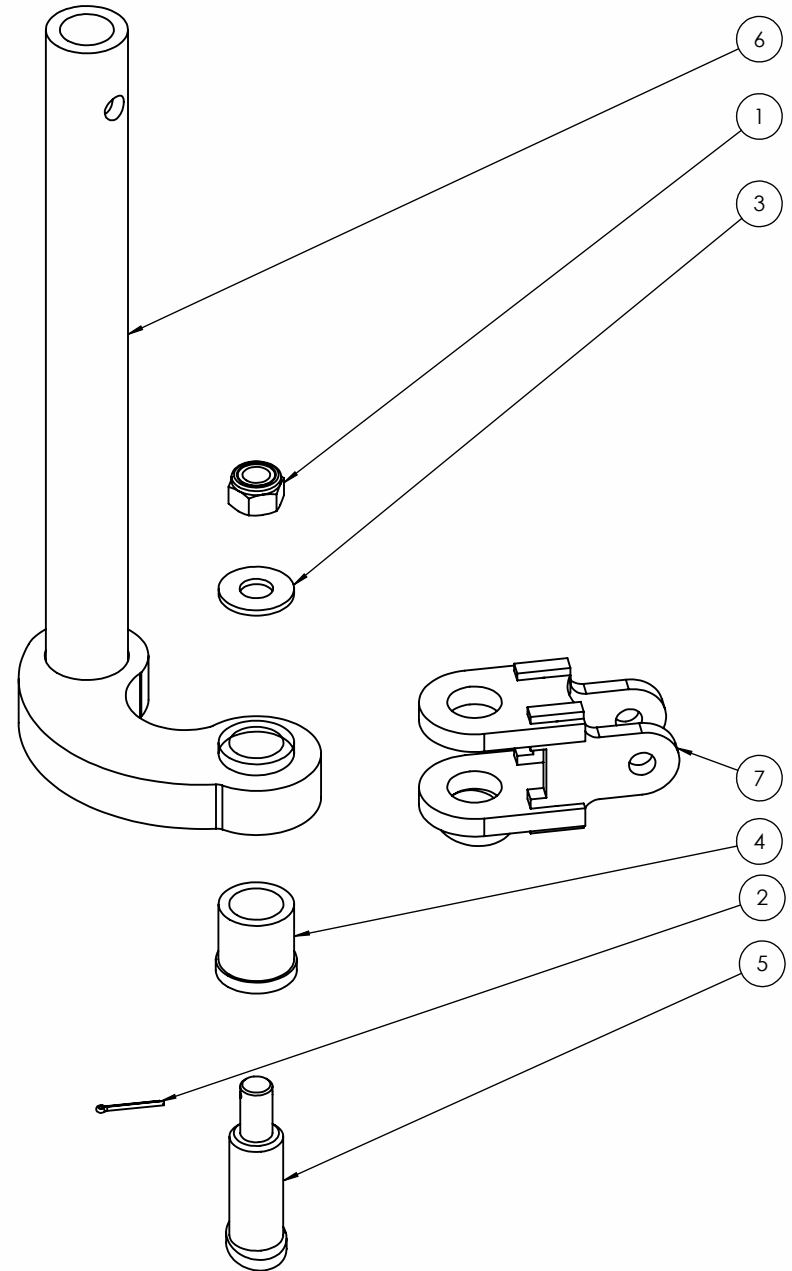
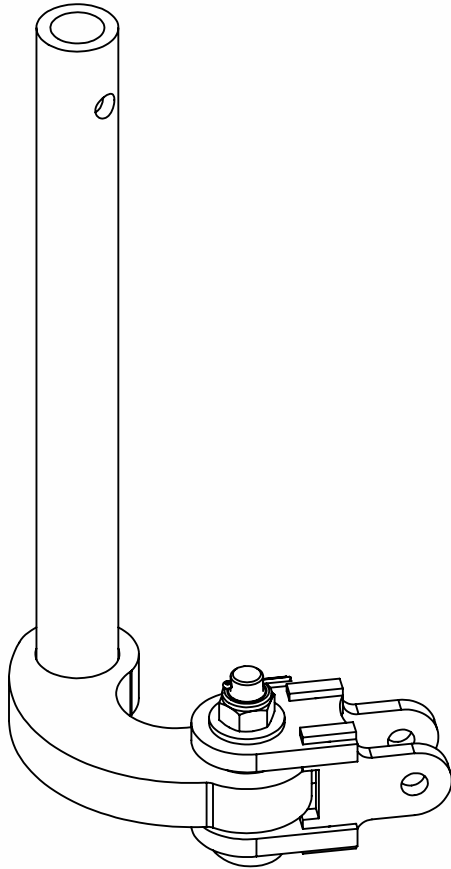
Revision
A

ITEM NO.	PART NUMBER	Revision	DESCRIPTION	QTY.
1	0215-CH1235		M8 x 35 Coach Head Bolt	2
2	0221-NYL8		M8 Nyloc Nut	2
3	1200-148	A	Round Drop Leg Height Adjustor	2



Part Number 1202-148	Description Round Drop Leg Height Adjustor Assembly	For Machines Built: 62HDX (112043-65)-	Revision A
--------------------------------	--	---	----------------------

ITEM NO.	PART NUMBER	Revision	DESCRIPTION	QTY.
1	0221-NYL30		M30 Nyloc Nut	1
2	0261-PINC550	A	Cotter Pin M5 x 50	1
3	1200-60	A	50mm Pivot Pin Retaining Washer	1
4	1201-16	B	Swivel Mount Pivot Bush	1
5	1202-15	A	Oval Head Swivel Mount Pivot Pin	1
6	1210-25	A	Heavy Duty RH Drop Leg	1
7	1210-57	A	PCHB553 Heavy Duty Mount Joint	1



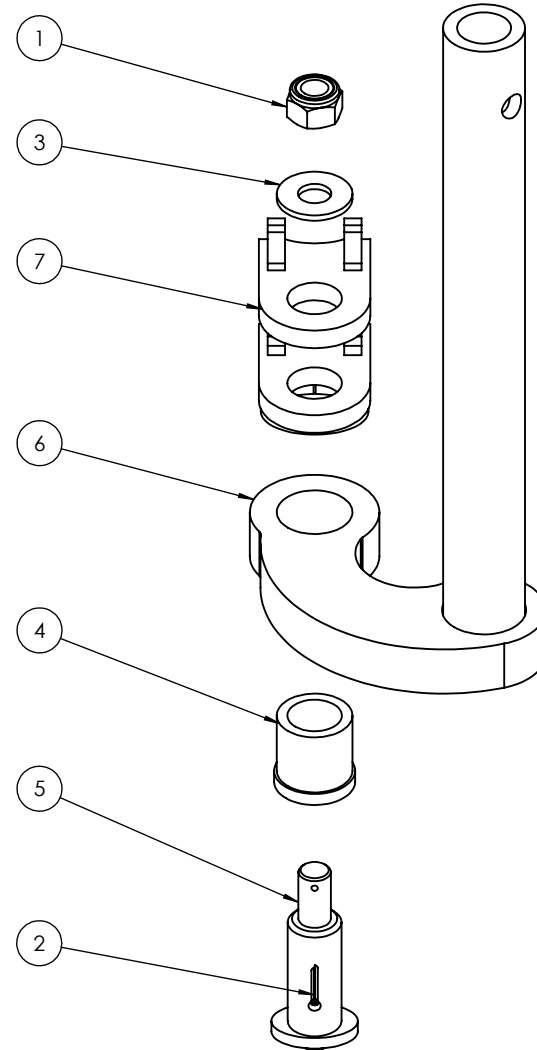
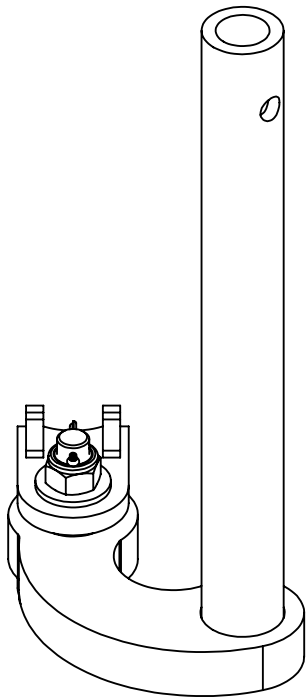
Part Number
1210-25-553

Description
Heavy Duty RH Drop Leg Assembly 553

For Machines Built:
62HDX (112043-65)-

Revision
A

ITEM NO.	PART NUMBER	Revision	DESCRIPTION	QTY.
1	0221-NYL30		Nyloc Nut M30	1
2	0261-PINC650		Cotter Pin M6 x 50mm	1
3	1200-60	A	50mm Pivot Pin Retaining Washer	1
4	1201-16	C	Swivel Mount Pivot Bush	1
5	1202-15	A	Oval Head Swivel Mount Pivot Pin	1
6	1210-24	B-0	Heavy Duty LH Drop Leg	1
7	1210-57	A	PCHB553 Heavy Duty Mount Joint	1



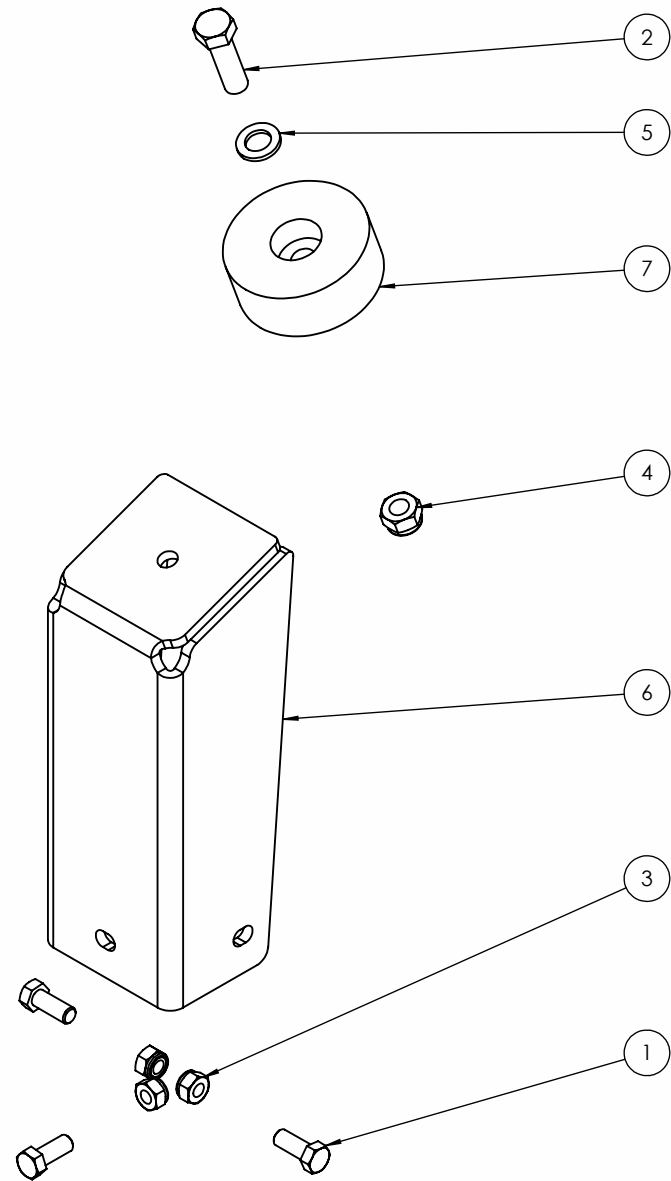
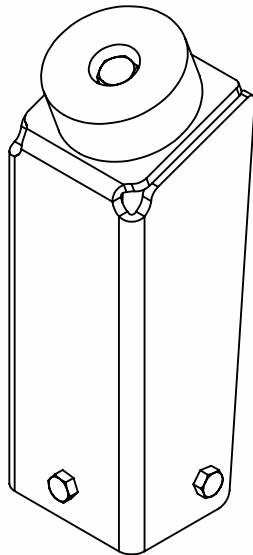
Part Number
1210-24-553

Description
Heavy Duty LH Drop Leg Assembly 553

For Machines Built:
62HDX (118065-62HDX)-

Revision
B-0

ITEM NO.	PART NUMBER	Revision	DESCRIPTION	QTY.
1	0211-1230	A	M12 x 30 8.8 zp Bolt	3
2	0211-1655	A	M16 x 55 8.8 zp Bolt	1
3	0221-NYL12		M12 Nyloc Nut	3
4	0221-NYL16		M16 Nyloc Nut	1
5	0231-F16		M16 zp Flat Washer	1
6	1200-154	A	65' Outer Wing Post	1
7	1201-12	A	Wing Folding Buffer	1



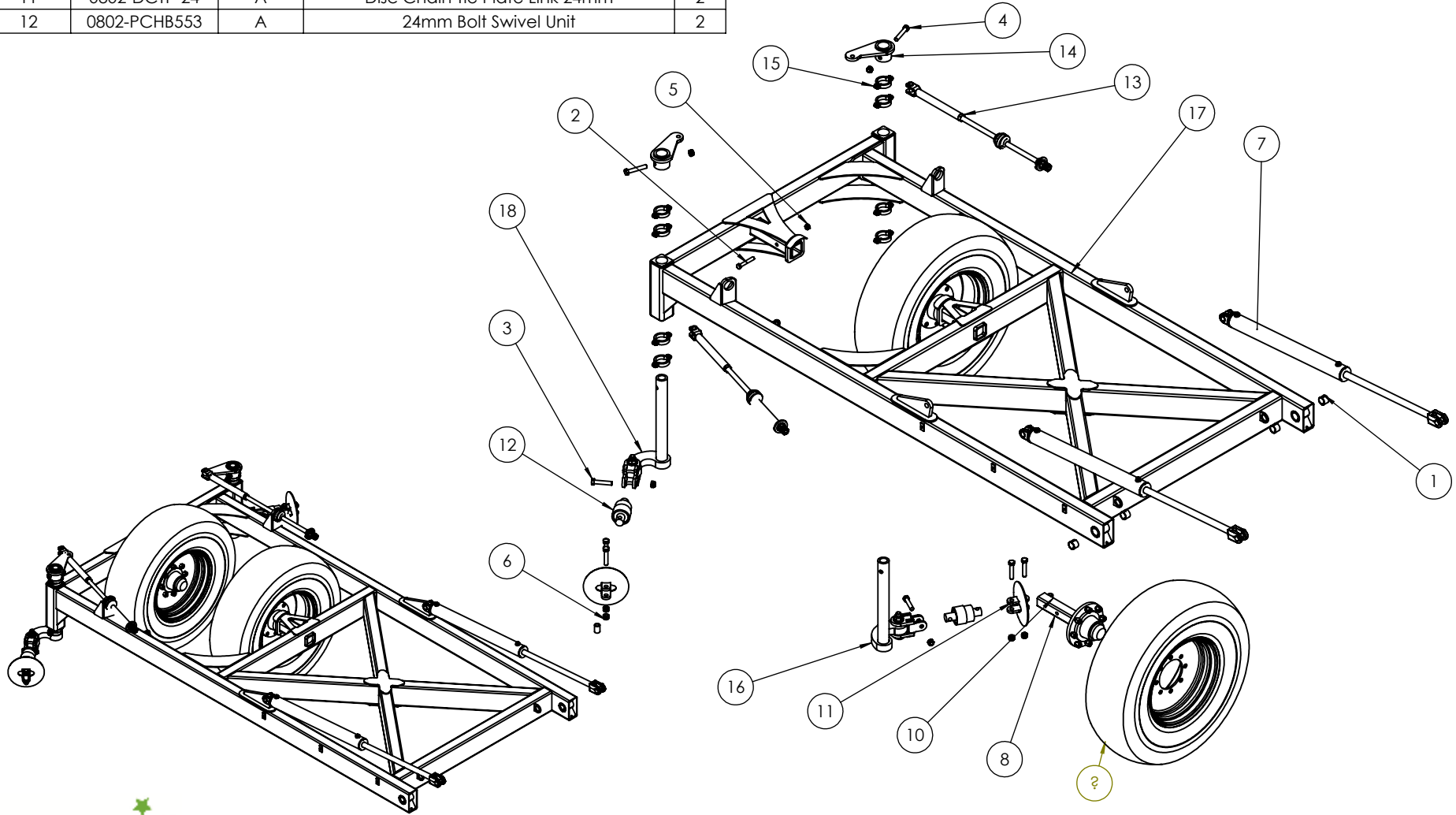
Part Number
1265-06PA

Description
62HDX Outer Wing Post Assembly

For Machines Built:
62HDX (112043-65)-

Revision
A

ITEM NO.	PART NUMBER	Revision	DESCRIPTION	QTY.	ITEM NO.	PART NUMBER	Revision	DESCRIPTION	QTY.
1	0113-MB 5040DX	A	50 ID x 40mm DX Bush	4	13	0802-PCHTAA	A	Chain Tension Assembly	2
2	0211-20130	A	M20 x 130 grade 8.8 ZP Bolt	1	14	0810-26	B	LH Chain Adjusting Lug	1
3	0211-24120ST	A	M24 x 120 grade 10.9 zp Short Thread Bolt	6	15	1202-148	A	Round Drop Leg Height Adjustor Assembly	8
4	0211-24140	A	M24 x 140 grade 8.8 zp Bolt	2	16	1210-24-553	B-0	Heavy Duty LH Drop Leg Assembly 553	1
5	0221-NYL20		Nyloc Nut M20	1	17	1265-07	E-0	65' Left Hand Outer Wing	1
6	0221-NYL24		Nyloc Nut M24	8	18	1210-25-553	B-0	Heavy Duty RH Drop Leg Assembly 553	1
7	0311-3532ST	A-0	3.5" Bore 32" Stroke 4" S/Tube 1.75" Rod Hydraulic Cylinder	2	19	0810-27	B	RH Chain Adjusting Lug	1
8	0733-90	A	90 Series Stub Axle (Stub and Hub Complete)	2					
9	0751-15.5-80-24TR	A	15.5/80-24 Tyre on 8 on 275mm PCD Rim	2					
10	0801-PCDCS55	A	Tie Plate Bush	2					
11	0802-DCTP-24	A	Disc Chain Tie Plate Link 24mm	2					
12	0802-PCHB553	A	24mm Bolt Swivel Unit	2					



Part Number

1265-07A

Description

65' Left Hand Outer Wing Assembly

For Machines Built:

62HDX (118065-62HDX)-

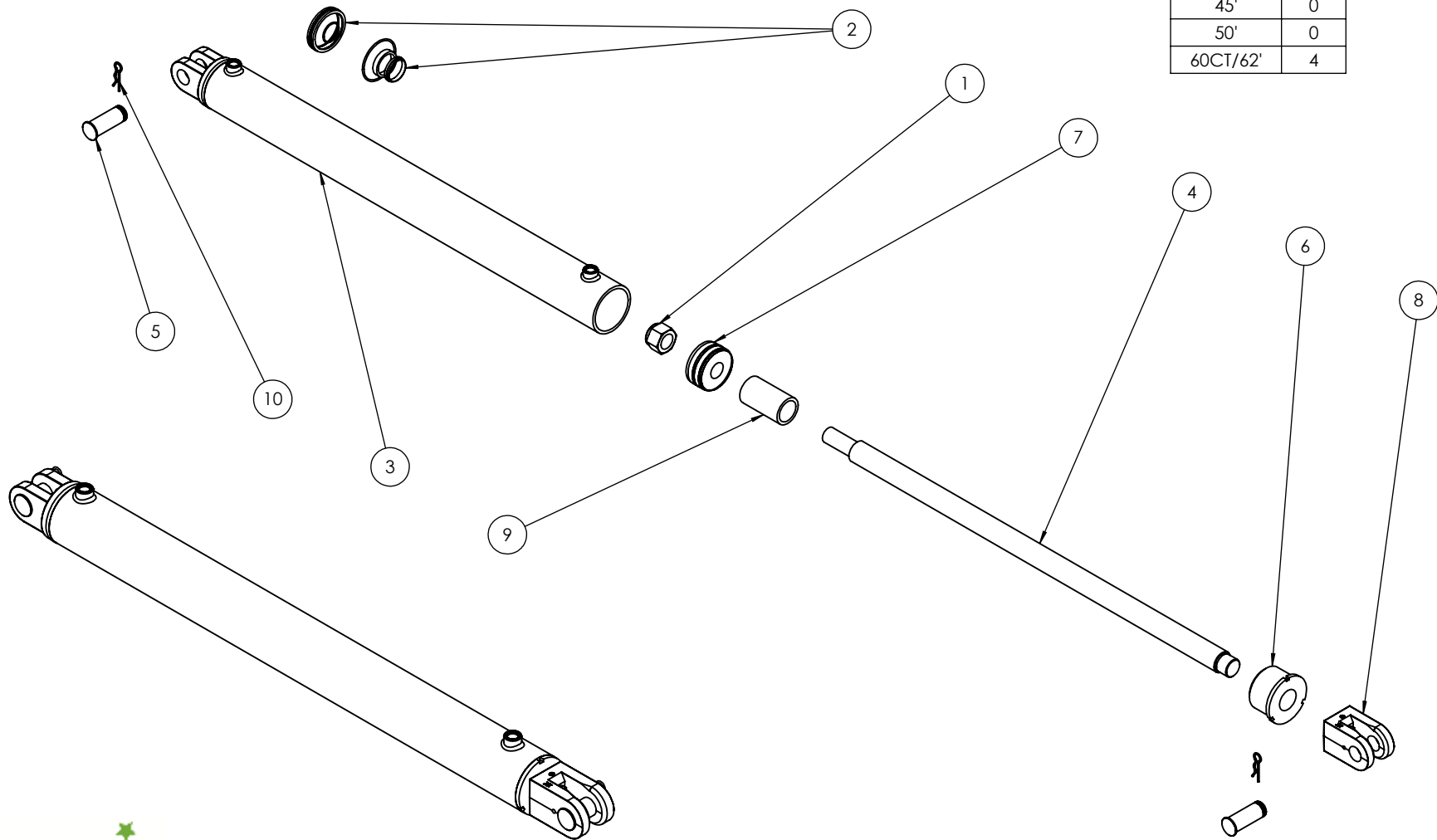
Revision

E-0

ITEM NO.	PART NUMBER	Revision	DESCRIPTION	QTY.
1	0223-NYL11-4		Nyloc Nut 1 1/4" UNF	1
2	0312-N35	A-0	Nordon 3.5" Cylinder Seal Kit	1
3	0313-3532ST-B	A-0	3.5" Bore 32" Stroke 4" Stop Tube Cylinder Barrel	1
4	0313-3532ST-R	A-0	Rod for 3.5" Bore 32" Stroke 4" S/Tube Cylinder	1
5	0313-NCP1 1-2X75	A-0	Hydraulic Cylinder Pin 1 1/2" x 75mm	2
6	0313-NG175x35	A-0	Cylinder Gland 1.75" Rod x 3.5" Barrel	1
7	0313-NP35	A-0	Hydraulic Cylinder Piston 3 1/2"	1
8	0313-NRC1 1-2X1 1-2	A-0	Hydraulic Cylinder Rod Clevis 1 1/2" Pin x 1 1/2" Thread	1
9	0313-STUBE1 3-4X4	A-0	Hydraulic Cylinder Stop Tube 1 3/4" ID x 4" Long	1
10	0511-RCLIP3		R Clip 3mm	2

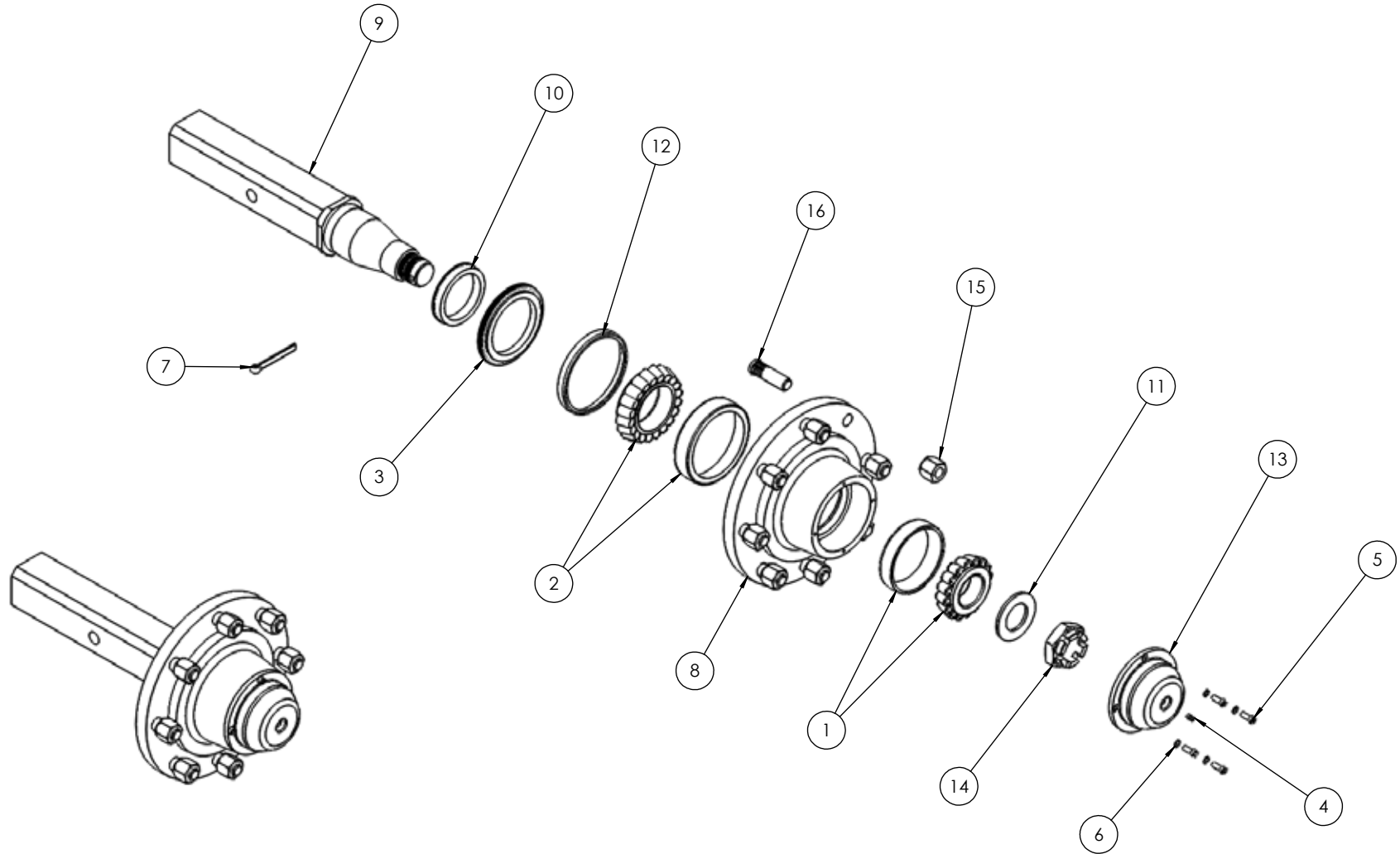
Note: Replaces Cylinder 0311-6896

Model	Qty
30'	0
40'	0
45'	0
50'	0
60CT/62'	4



Part Number	Description	For Machines Built:	Revision
0311-3532ST	3.5" Bore 32" Stroke 4" S/Tube 1.75" Rod Hydraulic Cylinder		A-0

ITEM NO.	PART NUMBER	Revision	DESCRIPTION	QTY.	ITEM NO.	PART NUMBER	Revision	DESCRIPTION	QTY.
1	0111-30311		Bearing 30311 (Cup & Cone)	1	9	0732-90S	A	90 Series Stub Axle (stub only)	1
2	0111-32216		Bearing 32216 (Cup & Cone)	1	10	0741-90SR	A	90 Series Axle Seal Ring	1
3	0121-X3-14010012	A	Triple Lip Seal 140 x 100 x 12mm	1	11	0741-90W	A	90 Series Axle Washer	1
4	0181-GN1-4		Grease Nipple 1/4" UNF	1	12	0741-90WR	A	90 Series Axle Wear Ring	1
5	0211-SH620		Socket Head Bolt M6 x 20mm	4	13	0741-D-CAP90	A	Dust Cap Bolt On Titan 90 Series	1
6	0231-SL6		Serrated Lock Washer M6	4	14	0741-NCASTM45	A	Castle Nut M45 x 1.5	1
7	0261-PINC880		Cotter Pin M8 x 80mm	1	15	0741-NWHM20	A	Wheel Nut M20 x 1.5 Radiused	8
8	0732-90H	A	90 Series 8 on 275mm Hub (Hub only)	1	16	0741-WS20	A	M20 Wheel Stud Titan 90 Series	8



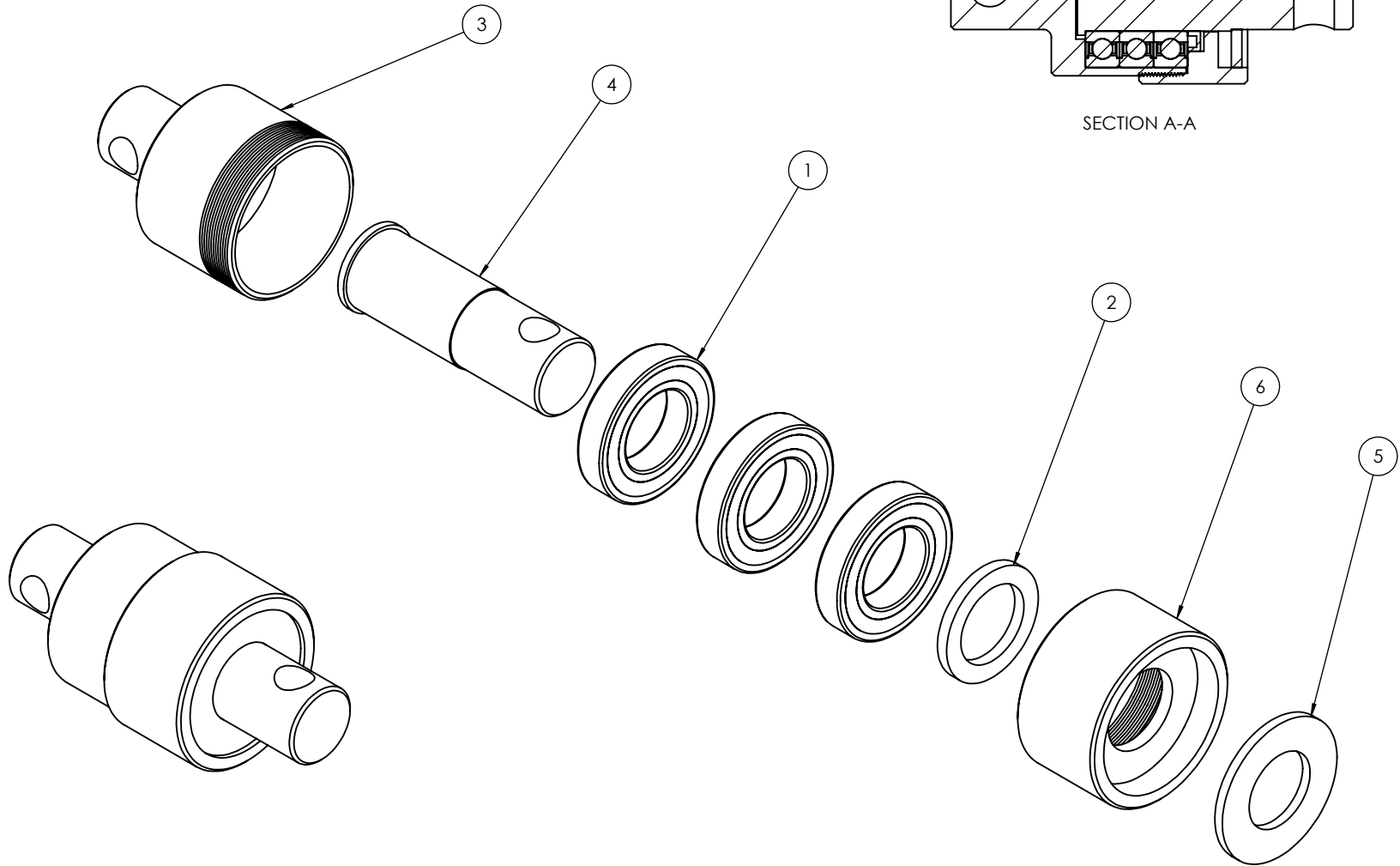
Part Number
0733-90

Description
90 Series Stub Axle (Stub and Hub Complete)

For Machines Built:
62HDX (112043-65)-

Revision
A

ITEM NO.	PART NUMBER	Revision	DESCRIPTION	QTY.
1	0112-6211		Bearing 6211 2RS	3
2	0121-TC12616		TC12616 Seal 55mm x 80mm x 8mm	1
3	0801-PCHB553H	A	Housing to Suit PCHB553 Swivel	1
4	0801-PCHB553S	A	Shaft To Suit PCHB553 Swivel	1
5	0801-PCHB553WA	A-1	Washer To Suit PCHB553 Swivel	1
6	0801-PCHB553C	A	Cap To Suit PCHB553 Swivel	1



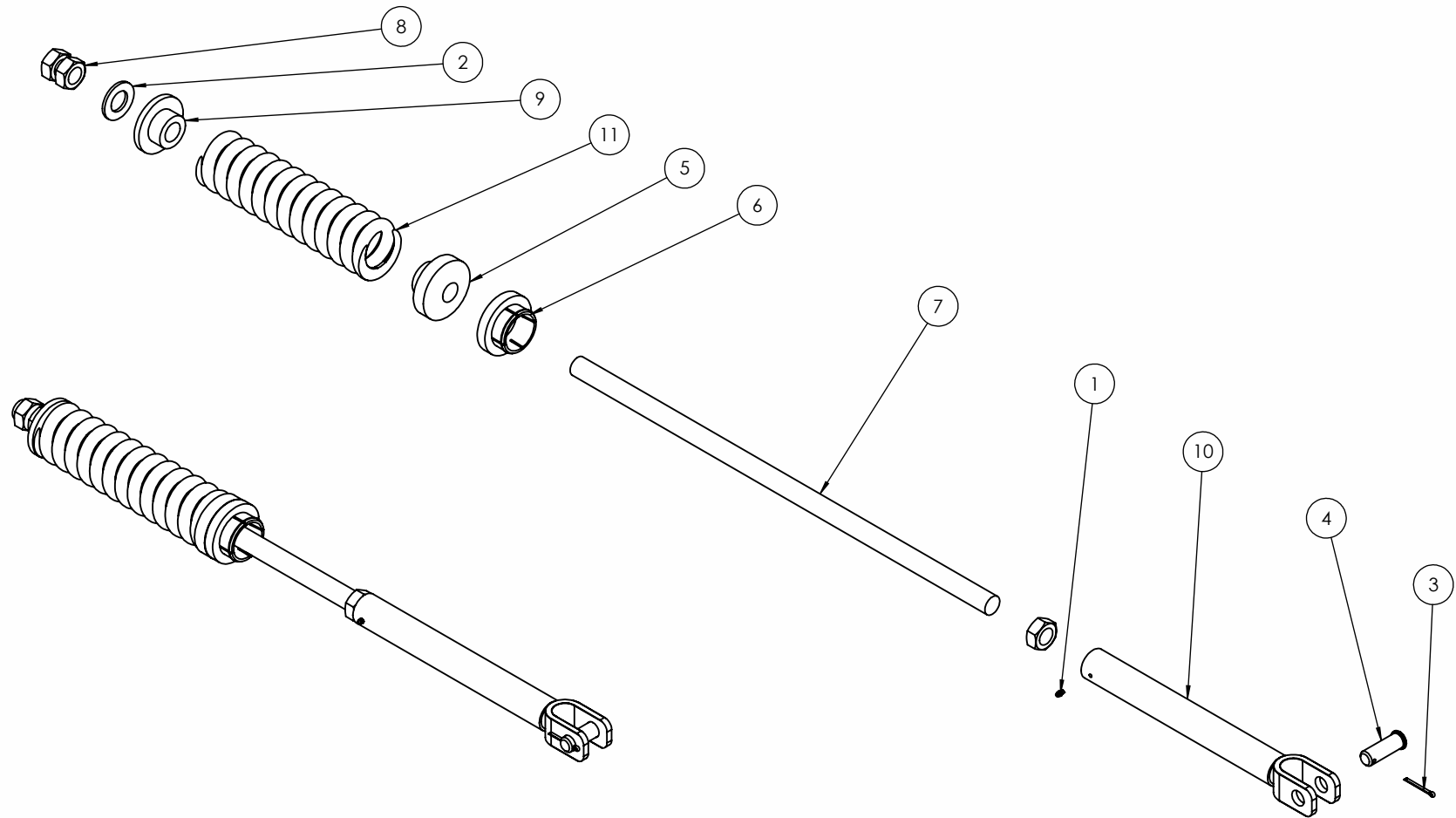
Part Number
0802-PCHB553

Description
24mm Bolt Swivel Unit

For Machines Built:
65'(112043-65)-

Revision
A-1

ITEM NO.	PART NUMBER	Revision	DESCRIPTION	QTY.
1	0181-GN1-4		Grease Nipple 1/4" UNF	1
2	0232-HT11-4		Washer High Tensile 1 1/4"	1
3	0261-PINC550	A	Cotter Pin M5 x 50	1
4	0801-KE0307-1	A	Clevis Pin 25mm x 75mm	1
5	0801-KE0805-3	B	Tensioner Cup - Male	1
6	0801-KE0805-4	D	Female Spring Locator	1
7	0801-PCHTA-B6	A	6tpi 1.24" Tension Bolt	1
8	0801-PCHTA-N6	A	32mm 6 tpi ACME Lock Nut	3
9	0801-PCHTA-SB	B	Steel Spring Retaining Bush	1
10	0801-PCHTABC	A	Tension Assembly Body with Clevis	1
11	0801-XK9261S	A	20mm Coil Spring	1



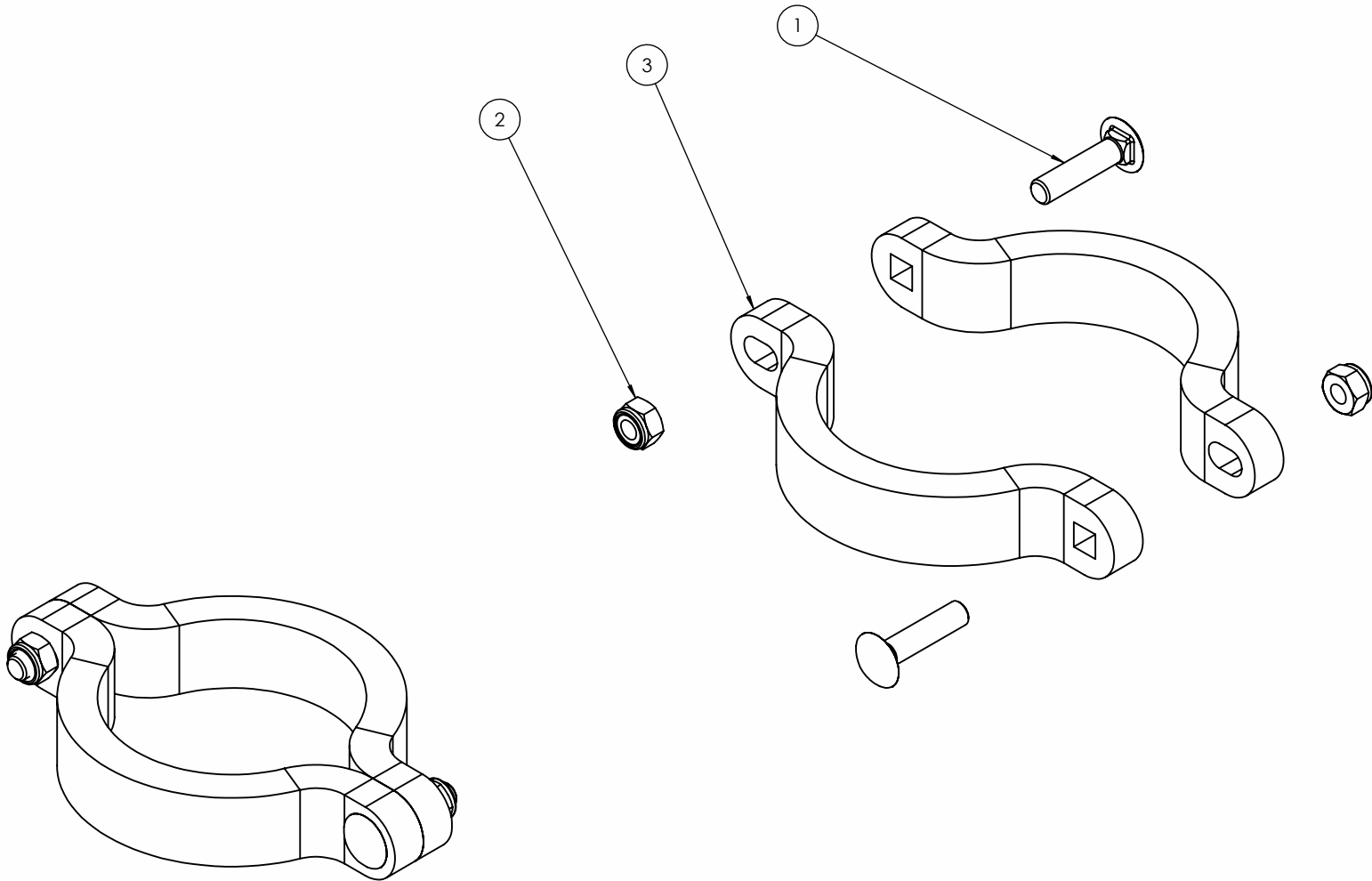
Part Number
0802-PCHTAA

Description
Chian Tension Assembly

For Machines Built:
All(2006)-

Revision
A

ITEM NO.	PART NUMBER	Revision	DESCRIPTION	QTY.
1	0215-CH1235		M8 x 35 Coach Head Bolt	2
2	0221-NYL8		M8 Nyloc Nut	2
3	1200-148	A	Round Drop Leg Height Adjustor	2



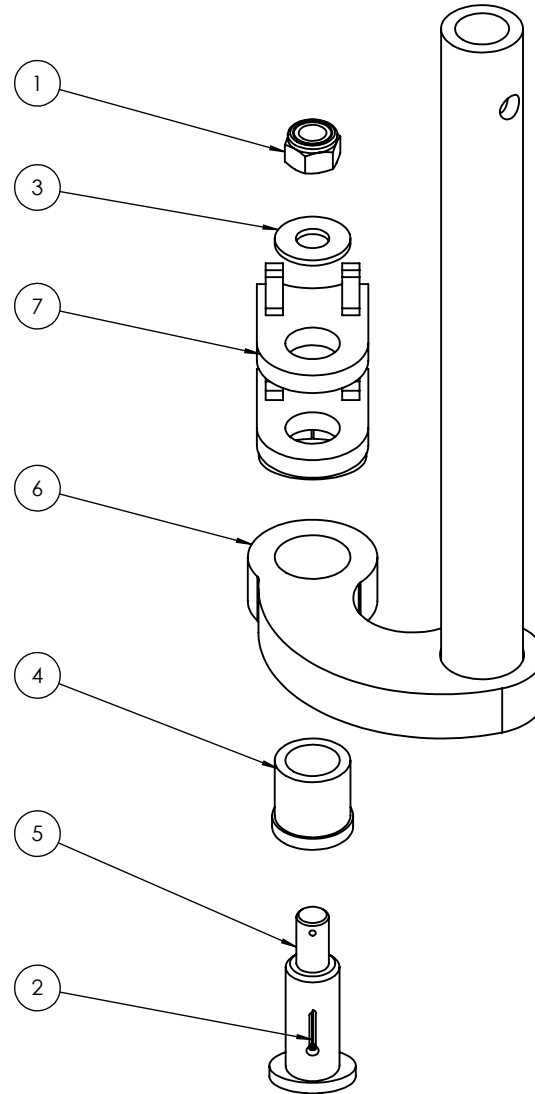
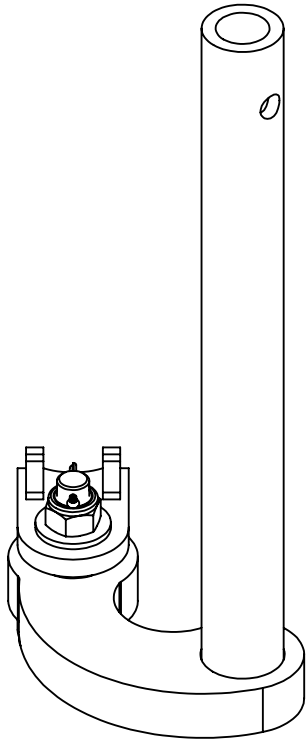
Part Number
1202-148

Description
Round Drop Leg Height Adjustor Assembly

For Machines Built:
62HDX (112043-65)-

Revision
A

ITEM NO.	PART NUMBER	Revision	DESCRIPTION	QTY.
1	0221-NYL30		M30 Nyloc Nut	1
2	0261-PINC650		Cotter Pin M6 x 50mm	1
3	1200-60	A	50mm Pivot Pin Retaining Washer	1
4	1201-16	B	Swivel Mount Pivot Bush	1
5	1202-15	A	Oval Head Swivel Mount Pivot Pin	1
6	1210-24	A	Heavy Duty LH Drop Leg	1
7	1210-57	A	PCHB553 Heavy Duty Mount Joint	1



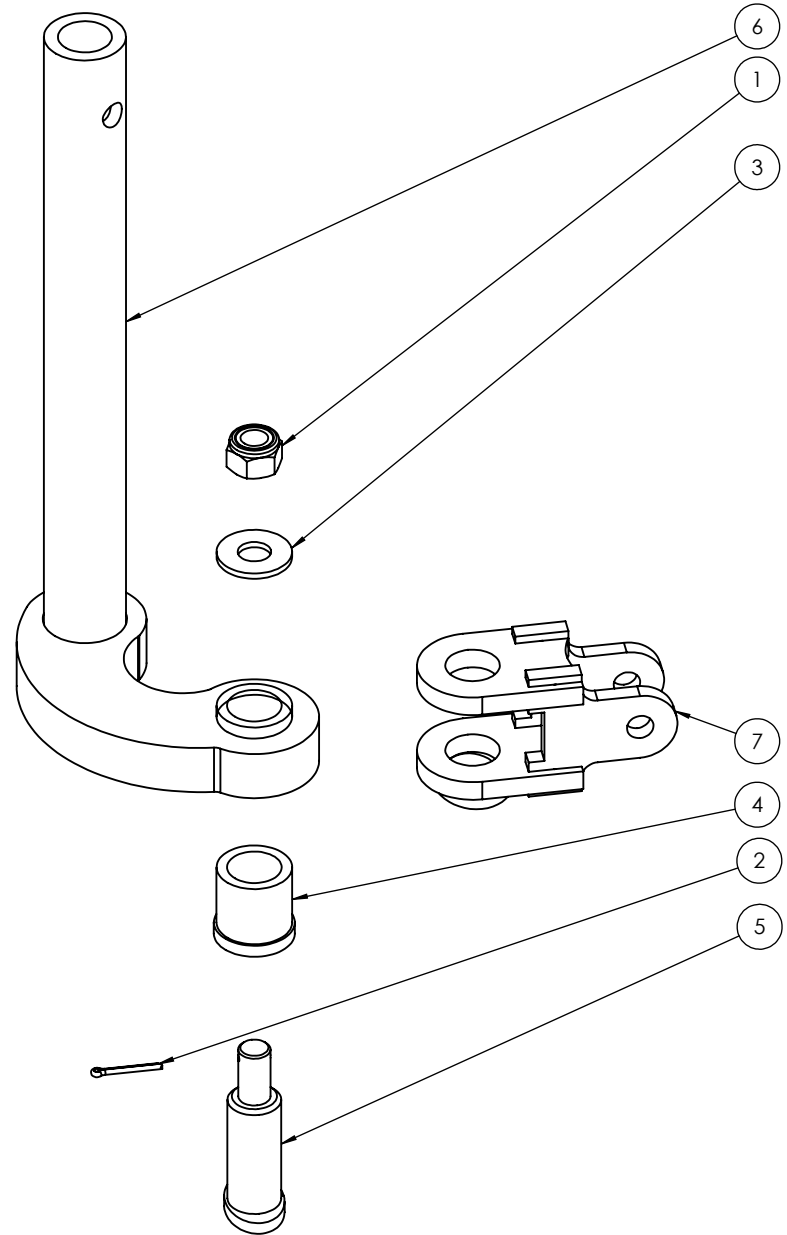
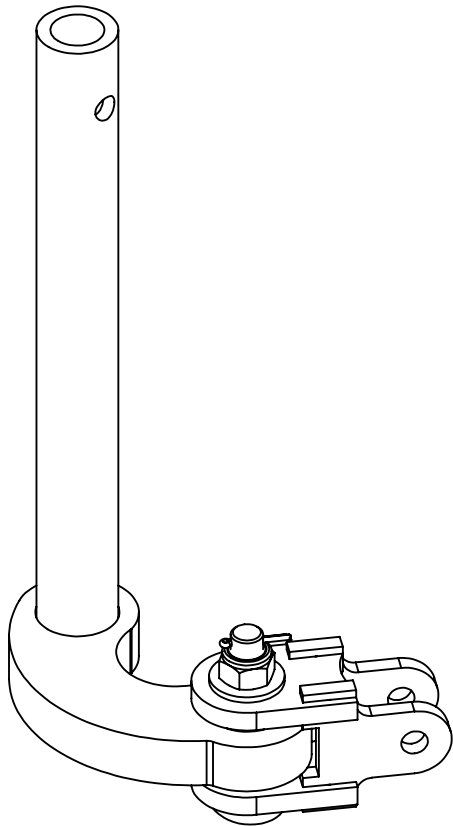
Part Number
1210-24-553

Description
Heavy Duty LH Drop Leg Assembly 553

For Machines Built:
62HDX (112043-65)-

Revision
A

ITEM NO.	PART NUMBER	Revision	DESCRIPTION	QTY.
1	0221-NYL30		Nyloc Nut M30	1
2	0261-PINC550	A	Cotter Pin M5 x 50	1
3	1200-60	A	50mm Pivot Pin Retaining Washer	1
4	1201-16	C	Swivel Mount Pivot Bush	1
5	1202-15	A	Oval Head Swivel Mount Pivot Pin	1
6	1210-25	B-0	Heavy Duty RH Drop Leg	1
7	1210-57	A	PCHB553 Heavy Duty Mount Joint	1



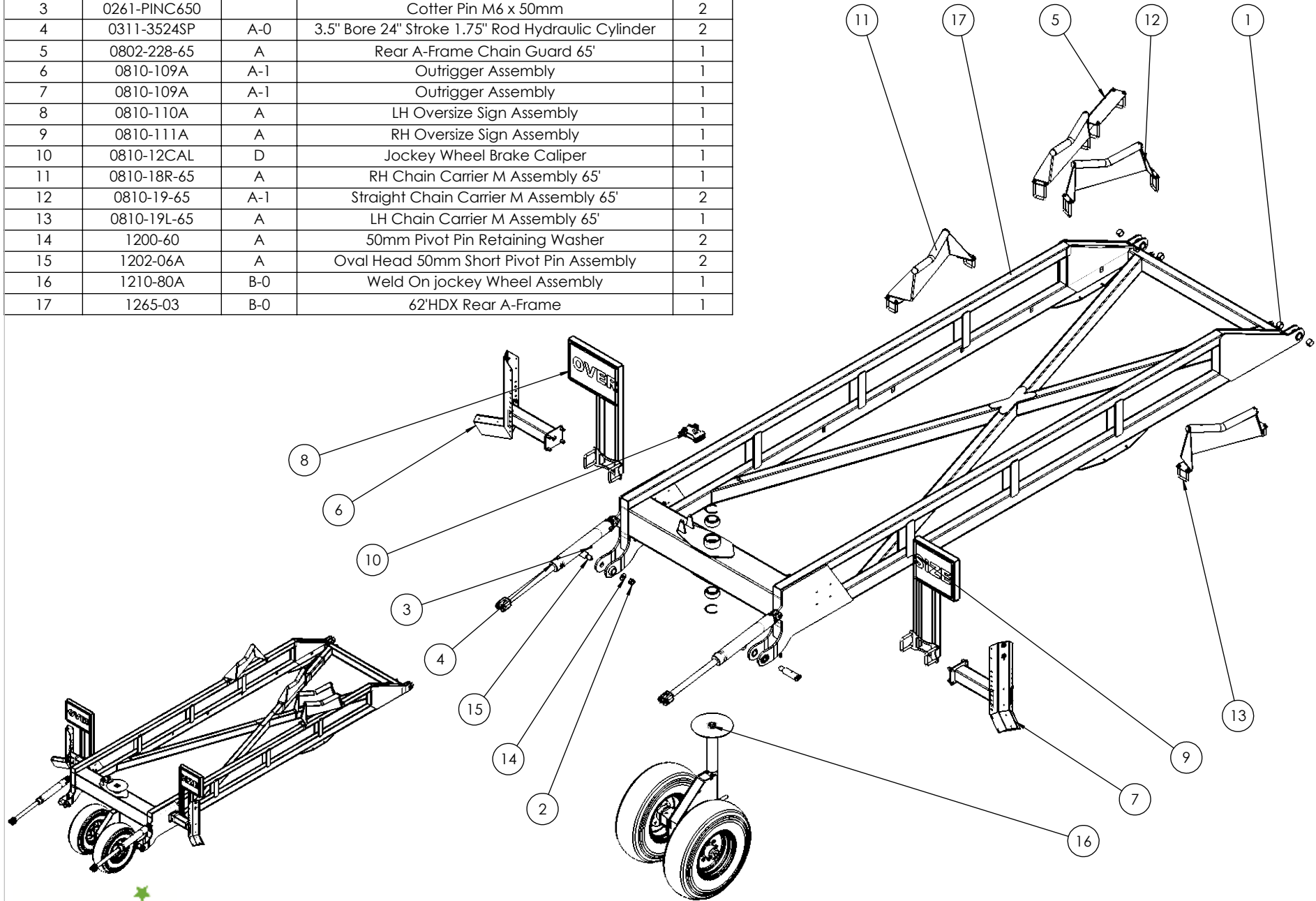
Part Number
1210-25-553

Description
Heavy Duty RH Drop Leg Assembly 553

For Machines Built:
62HDX (118065-62HDX)-

Revision
B-0

ITEM NO.	PART NUMBER	Revision	DESCRIPTION	QTY.
1	0113-MB 5040DX	A	50 ID x 40mm DX Bush	4
2	0221-NYL30		Nyloc Nut M30	2
3	0261-PINC650		Cotter Pin M6 x 50mm	2
4	0311-3524SP	A-0	3.5" Bore 24" Stroke 1.75" Rod Hydraulic Cylinder	2
5	0802-228-65	A	Rear A-Frame Chain Guard 65'	1
6	0810-109A	A-1	Outrigger Assembly	1
7	0810-109A	A-1	Outrigger Assembly	1
8	0810-110A	A	LH Oversize Sign Assembly	1
9	0810-111A	A	RH Oversize Sign Assembly	1
10	0810-12CAL	D	Jockey Wheel Brake Caliper	1
11	0810-18R-65	A	RH Chain Carrier M Assembly 65'	1
12	0810-19-65	A-1	Straight Chain Carrier M Assembly 65'	2
13	0810-19L-65	A	LH Chain Carrier M Assembly 65'	1
14	1200-60	A	50mm Pivot Pin Retaining Washer	2
15	1202-06A	A	Oval Head 50mm Short Pivot Pin Assembly	2
16	1210-80A	B-0	Weld On jockey Wheel Assembly	1
17	1265-03	B-0	62'HDX Rear A-Frame	1



Part Number

1265-03A

Description

65' Rear A-Frame Assembly (Domestic)

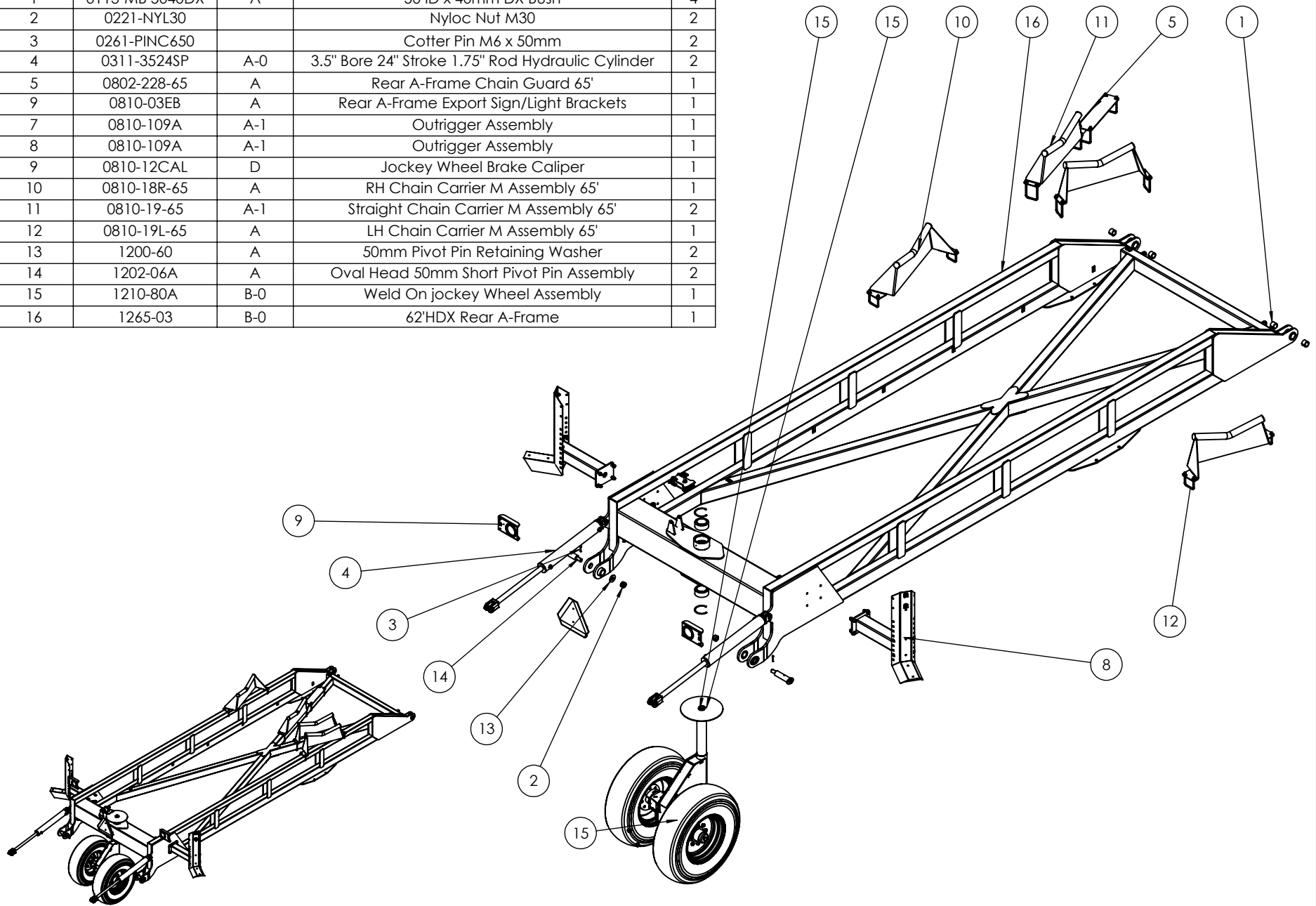
For Machines Built:

65'(112043-65)-

Revision

B-0

ITEM NO.	PART NUMBER	Revision	DESCRIPTION	QTY.
1	0113-MB 5040DX	A	50 ID x 40mm DX Bush	4
2	0221-NYL30		Nyloc Nut M30	2
3	0261-PINC650		Cotter Pin M6 x 50mm	2
4	0311-3524SP	A-0	3.5" Bore 24" Stroke 1.75" Rod Hydraulic Cylinder	2
5	0802-228-65	A	Rear A-Frame Chain Guard 65'	1
9	0810-03EB	A	Rear A-Frame Export Sign/Light Brackets	1
7	0810-109A	A-1	Outrigger Assembly	1
8	0810-109A	A-1	Outrigger Assembly	1
9	0810-12CAL	D	Jockey Wheel Brake Caliper	1
10	0810-18R-65	A	RH Chain Carrier M Assembly 65'	1
11	0810-19-65	A-1	Straight Chain Carrier M Assembly 65'	2
12	0810-19L-65	A	LH Chain Carrier M Assembly 65'	1
13	1200-60	A	50mm Pivot Pin Retaining Washer	2
14	1202-06A	A	Oval Head 50mm Short Pivot Pin Assembly	2
15	1210-80A	B-0	Weld On jockey Wheel Assembly	1
16	1265-03	B-0	62'HDX Rear A-Frame	1



Part Number

1265-03A

Description

65' Rear A-Frame Assembly (Export)

For Machines Built:

65'(112043-65)-

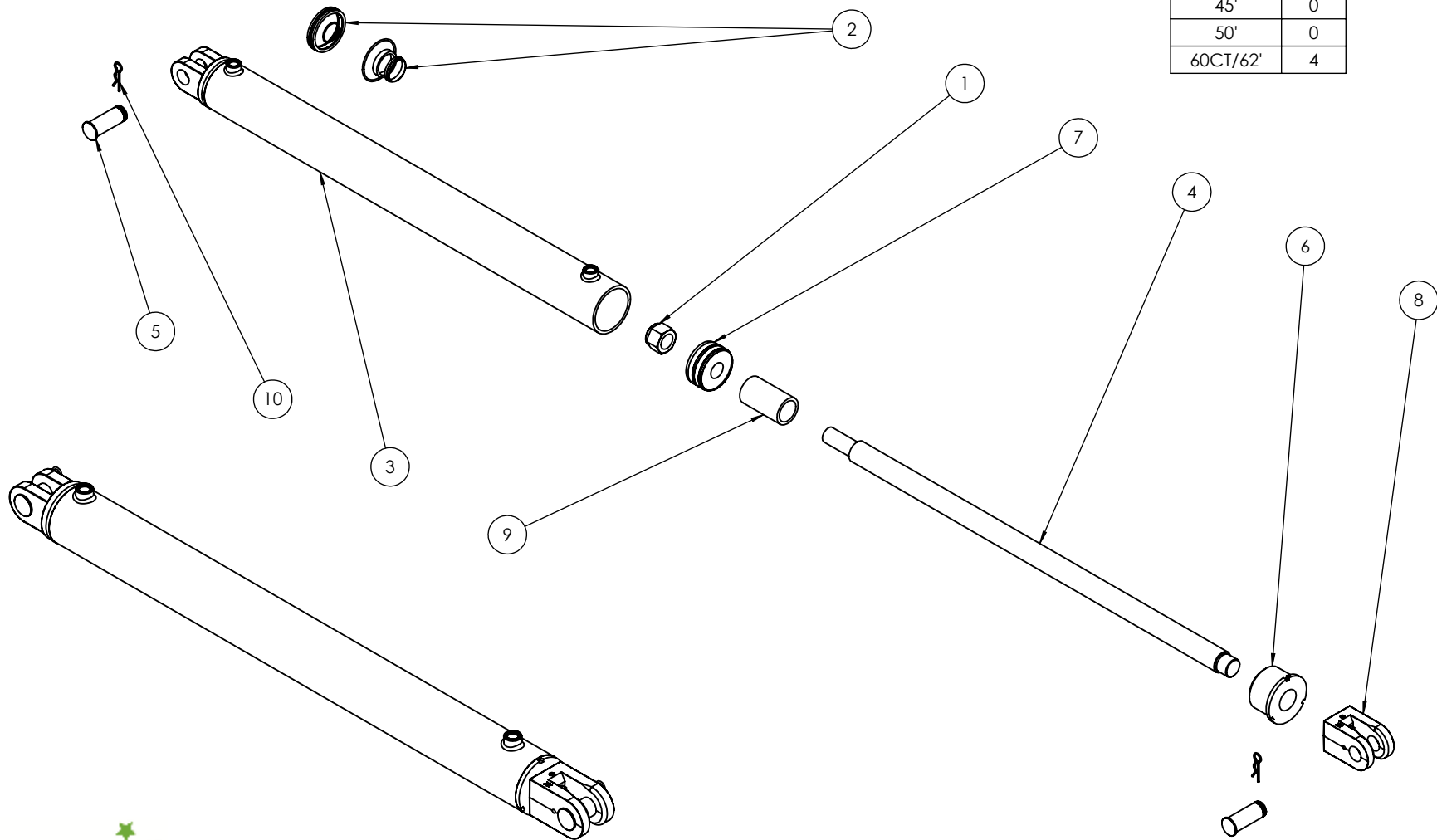
Revision

B-0

ITEM NO.	PART NUMBER	Revision	DESCRIPTION	QTY.
1	0223-NYL11-4		Nyloc Nut 1 1/4" UNF	1
2	0312-N35	A-0	Nordon 3.5" Cylinder Seal Kit	1
3	0313-3532ST-B	A-0	3.5" Bore 32" Stroke 4" Stop Tube Cylinder Barrel	1
4	0313-3532ST-R	A-0	Rod for 3.5" Bore 32" Stroke 4" S/Tube Cylinder	1
5	0313-NCP1 1-2X75	A-0	Hydraulic Cylinder Pin 1 1/2" x 75mm	2
6	0313-NG175x35	A-0	Cylinder Gland 1.75" Rod x 3.5" Barrel	1
7	0313-NP35	A-0	Hydraulic Cylinder Piston 3 1/2"	1
8	0313-NRC1 1-2X1 1-2	A-0	Hydraulic Cylinder Rod Clevis 1 1/2" Pin x 1 1/2" Thread	1
9	0313-STUBE1 3-4X4	A-0	Hydraulic Cylinder Stop Tube 1 3/4" ID x 4" Long	1
10	0511-RCLIP3		R Clip 3mm	2

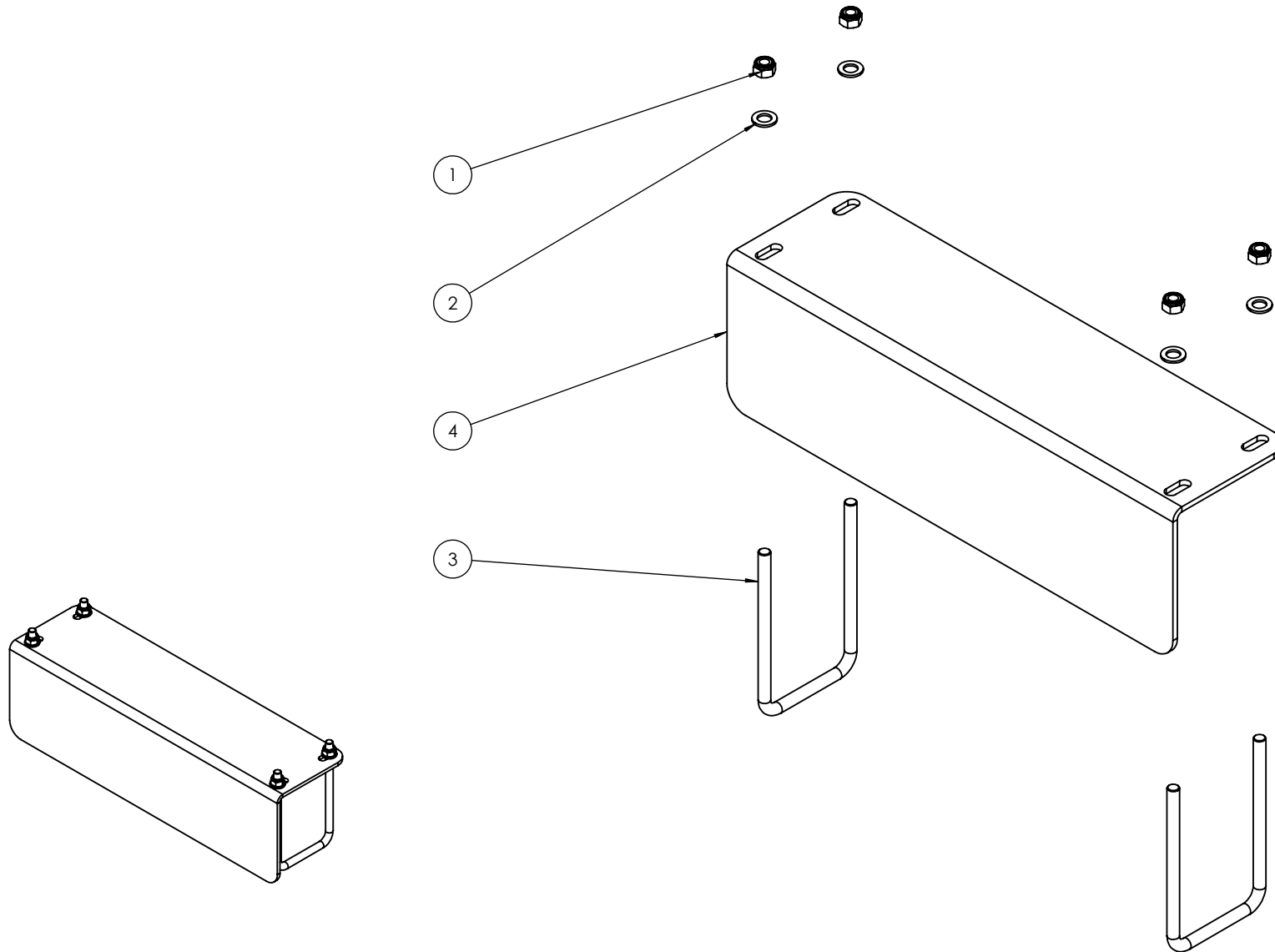
Note: Replaces Cylinder 0311-6896

Model	Qty
30'	0
40'	0
45'	0
50'	0
60CT/62'	4



Part Number	Description	For Machines Built:	Revision
0311-3532ST	3.5" Bore 32" Stroke 4" S/Tube 1.75" Rod Hydraulic Cylinder		A-0

ITEM NO.	PART NUMBER	Revision	DESCRIPTION	QTY.
1	0221-NYL12		M12 Nyloc Nut	4
2	0231-F12		M12 zp Flat Washer	4
3	0271-12185104	A	U-Bolt M12 x 185 Deep x 104 Wide	2
4	0800-228.1	B	60' Rear A-Frame Guard	1



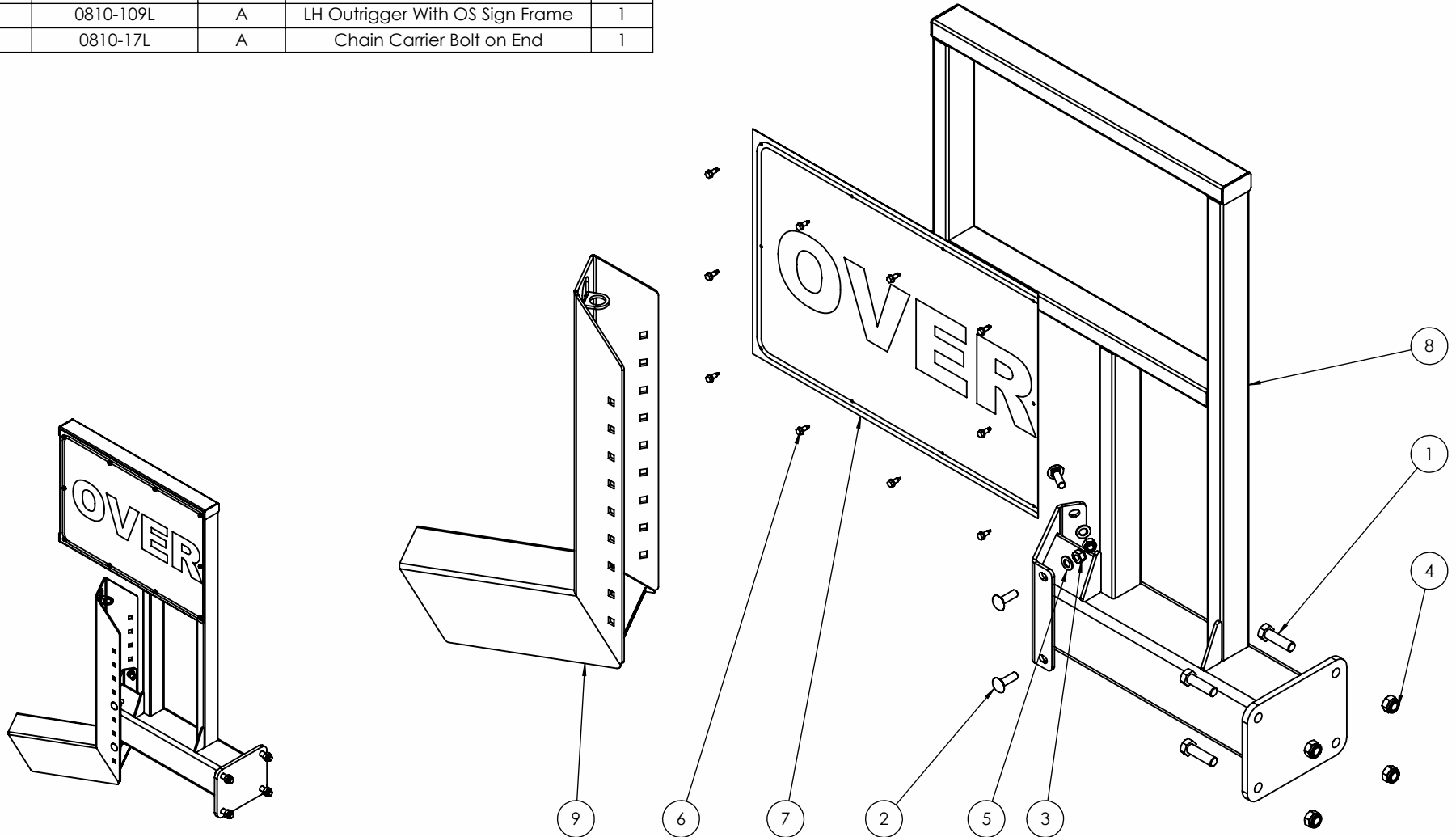
Part Number
0802-228-65

Description
Rear A-Frame Chain Guard Assembly 62HDX

For Machines Built:
62HDX (112043-65)-

Revision
A

ITEM NO.	PART NUMBER	Revision	DESCRIPTION	QTY.
1	0211-1655	A	M16 x 55 8.8 zp Bolt	4
2	0215-CH1240		M12 x 40 Coach Head Bolt	4
3	0221-NYL12		M12 Nyloc Nut	4
4	0221-NYL16		M16 Nyloc Nut	4
5	0231-F12		M12 zp Flat Washer	4
6	0241-TEK10-1616		TEK Screw 10g 16 x 16	10
7	0801-SIGNOSL	A	Oversize Sign Left Hand	1
8	0810-109L	A	LH Outrigger With OS Sign Frame	1
9	0810-17L	A	Chain Carrier Bolt on End	1



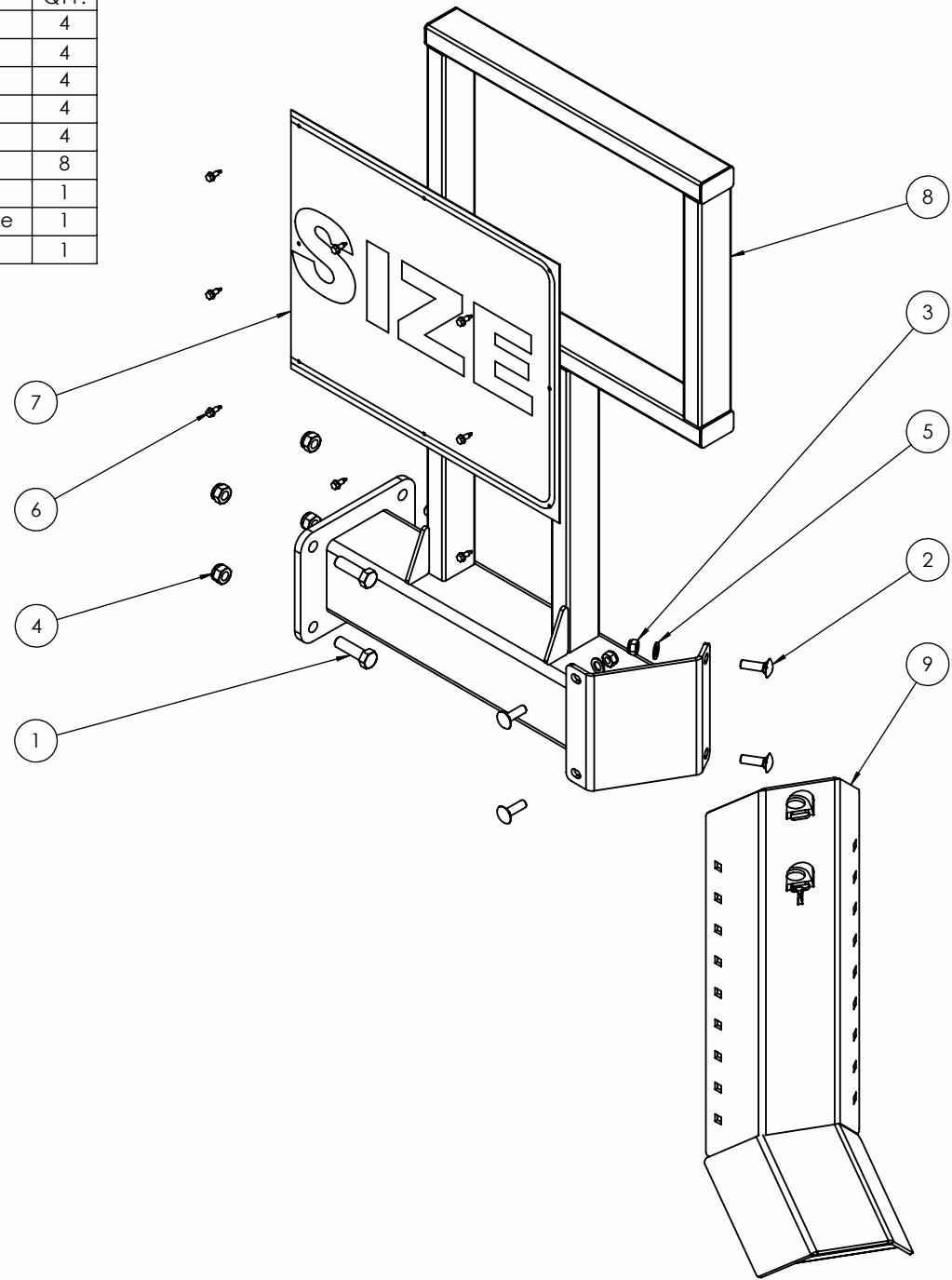
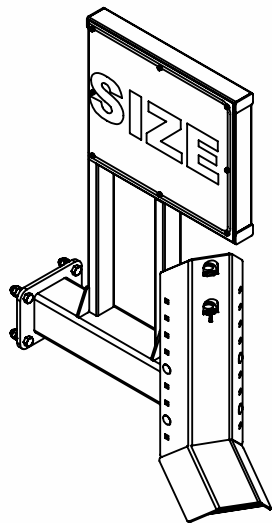
Part Number
0810-109LA

Description
Left Hand Outrigger Assembly

For Machines Built:
All Domestic (2011)-

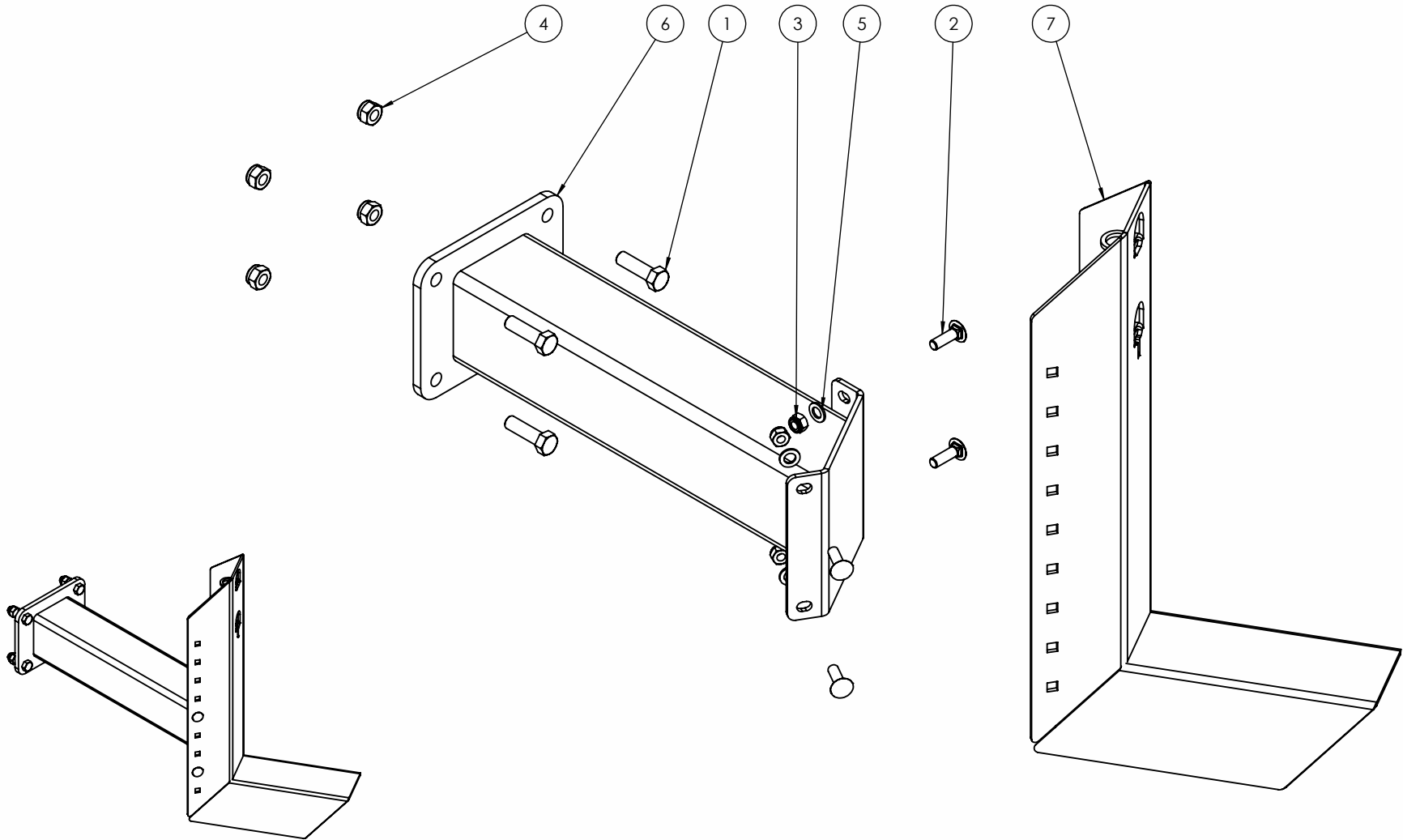
Revision
A

ITEM NO.	PART NUMBER	Revision	DESCRIPTION	QTY.
1	0211-1655	A	M16 x 55 8.8 zp Bolt	4
2	0215-CH1240		M12 x 40 Coach Head Bolt	4
3	0221-NYL12		M12 Nyloc Nut	4
4	0221-NYL16		M16 Nyloc Nut	4
5	0231-F12		M12 zp Flat Washer	4
6	0241-TEK10-1616		TEK Screw 10g 16 x 16	8
7	0801-SIGNOSR	A	Oversize Sign Right Hand	1
8	0810-109R	A	RH Outrigger With OS Sign Frame	1
9	0810-17L	A	Chain Carrier Bolt on End	1



Part Number 0810-109RA	Description Right Hand Outrigger Assembly	For Machines Built: All Domestic (2011)-	Revision A
----------------------------------	---	---	----------------------

ITEM NO.	PART NUMBER	Revision	DESCRIPTION	QTY.
1	0211-1655	A	M16 x 55 8.8 zp Bolt	4
2	0215-CH1240		M12 x 40 Coach Head Bolt	4
3	0221-NYL12		M12 Nyloc Nut	4
4	0221-NYL16		M16 Nyloc Nut	4
5	0231-F12		M12 zp Flat Washer	4
6	0810-109	A	Outrigger	1
7	0810-17L	A	Chain Carrier Bolt on End	1



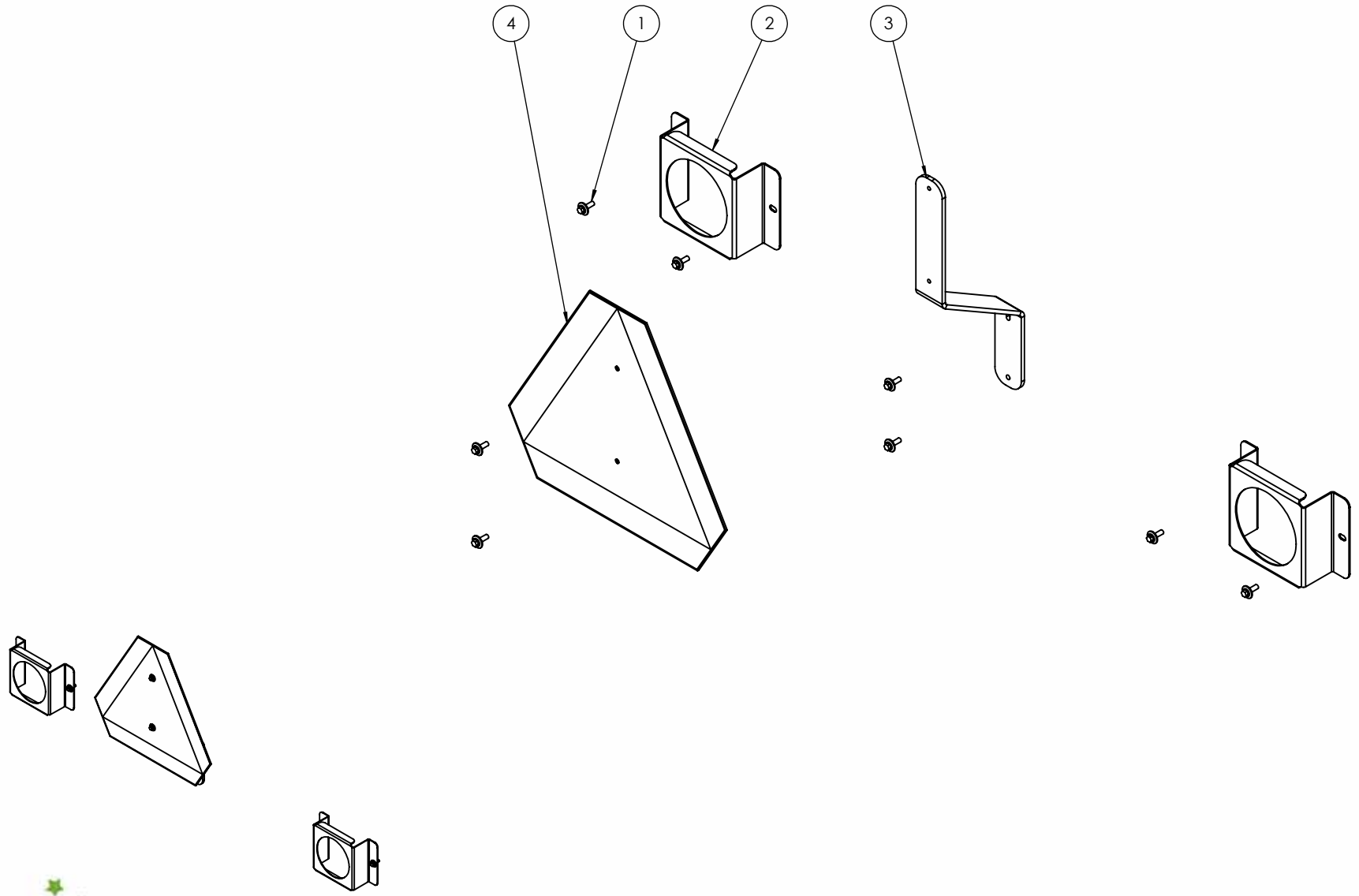
Part Number
0810-109A

Description
Outrigger Assembly

For Machines Built:
All(2011)-

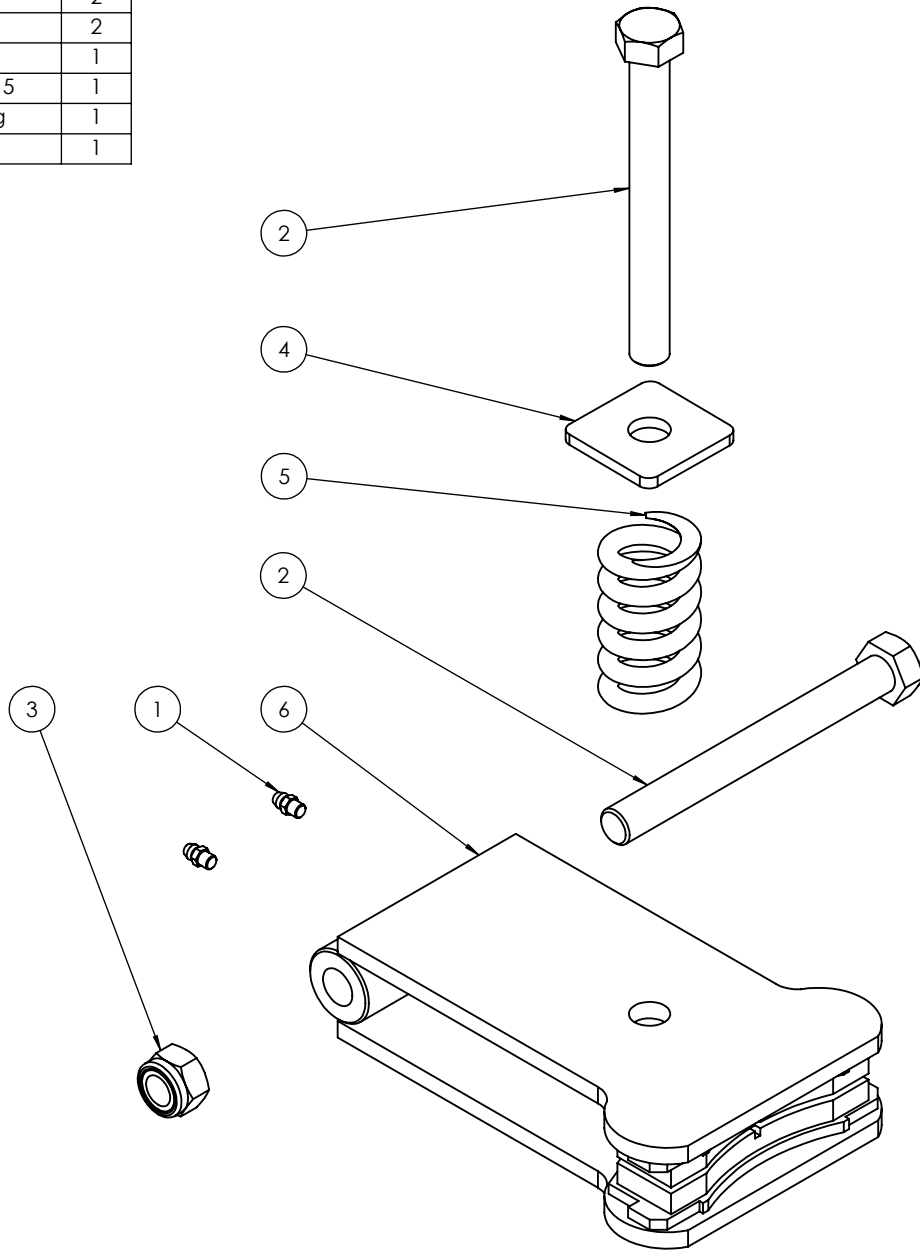
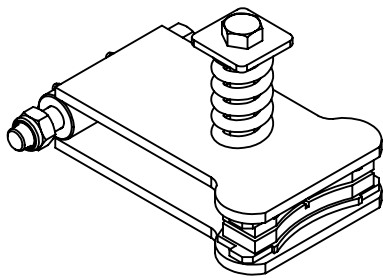
Revision
A

ITEM NO.	PART NUMBER	Revision	DESCRIPTION	QTY.
1	0211-M620MZPHTF		M6 x 20 Trilobe self tapping ScREW	8
2	0800-194	A	US Tail Light Bracket	2
3	0800-195	B	SMV Sign Bracket	1
4	0801-FBSMVTUF	A	Slow Moving Vehical Sign	1



Part Number 0810-03EB	Description Rear A-Frame Export Sign/Light Brackets	For Machines Built: All Export (2010)-	Revision A
---------------------------------	--	---	---------------

ITEM NO.	PART NUMBER	Revision	DESCRIPTION	QTY.
1	0181-GN1-4		Grease Nipple 1/4" UNF	2
2	0211-16150	A	M16 x 150 8.8 zp Bolt	2
3	0221-NYL16		M16 Nyloc Nut	1
4	0231-SQ16505	A	Washer Square M16 x 50 x 5	1
5	0801-KE009	A	Brake Compression Spring	1
6	0810-12CAL	A	Brake Caliper	1



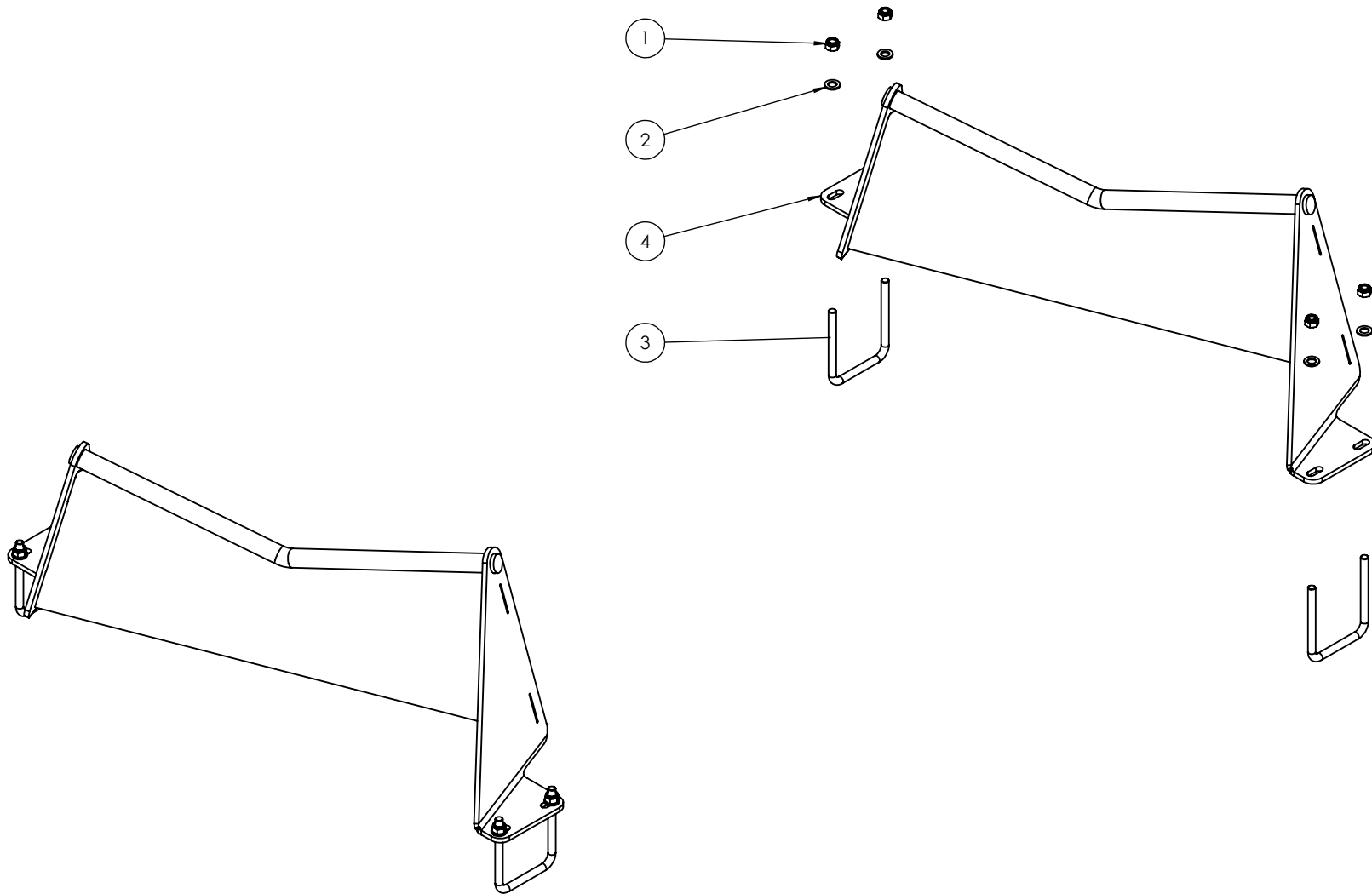
Part Number
0810-12CALA

Description
Jockey Wheel Brake Caliper Assembly

For Machines Built:
All(2005)-

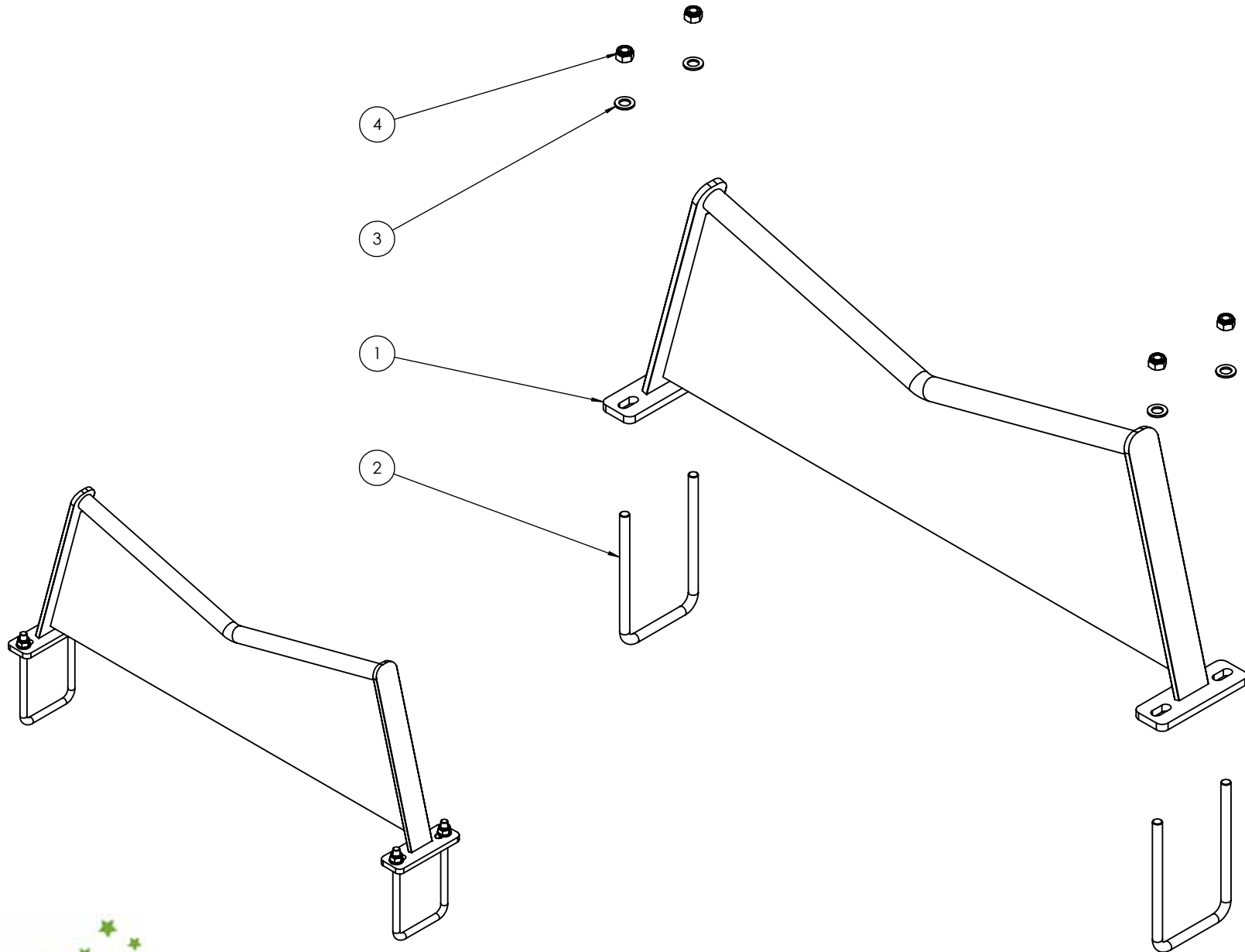
Revision
A

ITEM NO.	PART NUMBER	Revision	DESCRIPTION	QTY.
1	0221-NYL12		M12 Nyloc Nut	4
2	0231-F12		M12 zp Flat Washer	4
3	0271-12135104	A	U-Bolt M12 x 135 Deep x 104 Wide	2
4	0810-18R	A	Right Hand M	1



Part Number	Description	For Machines Built:	Revision
0810-18R-65	RH Chain Carrier M Assembly 62HDX	62HDX (112043-65)-	A

ITEM NO.	PART NUMBER	Revision	DESCRIPTION	QTY.
1	0810-19	C	Straight Chain Carrier M	1
2	0271-12185104	A	U-Bolt M12 x 185 Deep x 104 Wide	2
3	0231-F12		M12 zp Flat Washer	4
4	0221-NYL12		M12 Nyloc Nut	4



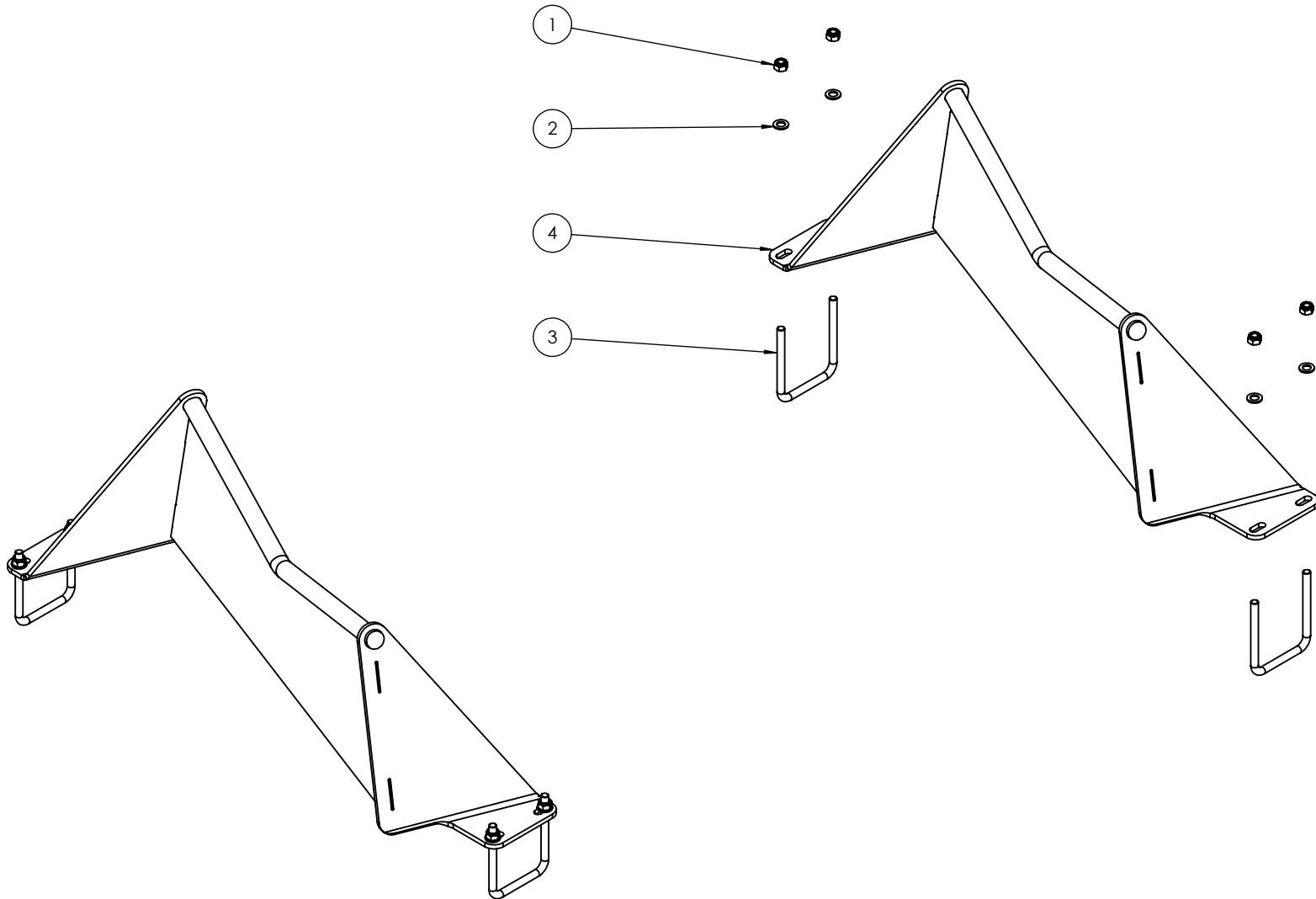
Part Number
0810-19-65

Description
Straight Chain Carrier M Assembly 62HDX

For Machines Built:
62HDX (112043-65)-

Revision
A

ITEM NO.	PART NUMBER	Revision	DESCRIPTION	QTY.
1	0221-NYL12		M12 Nyloc Nut	4
2	0231-F12		M12 zp Flat Washer	4
3	0271-12135104	A	U-Bolt M12 x 135 Deep x 104 Wide	2
4	0810-19L	A	Left Hand M	1



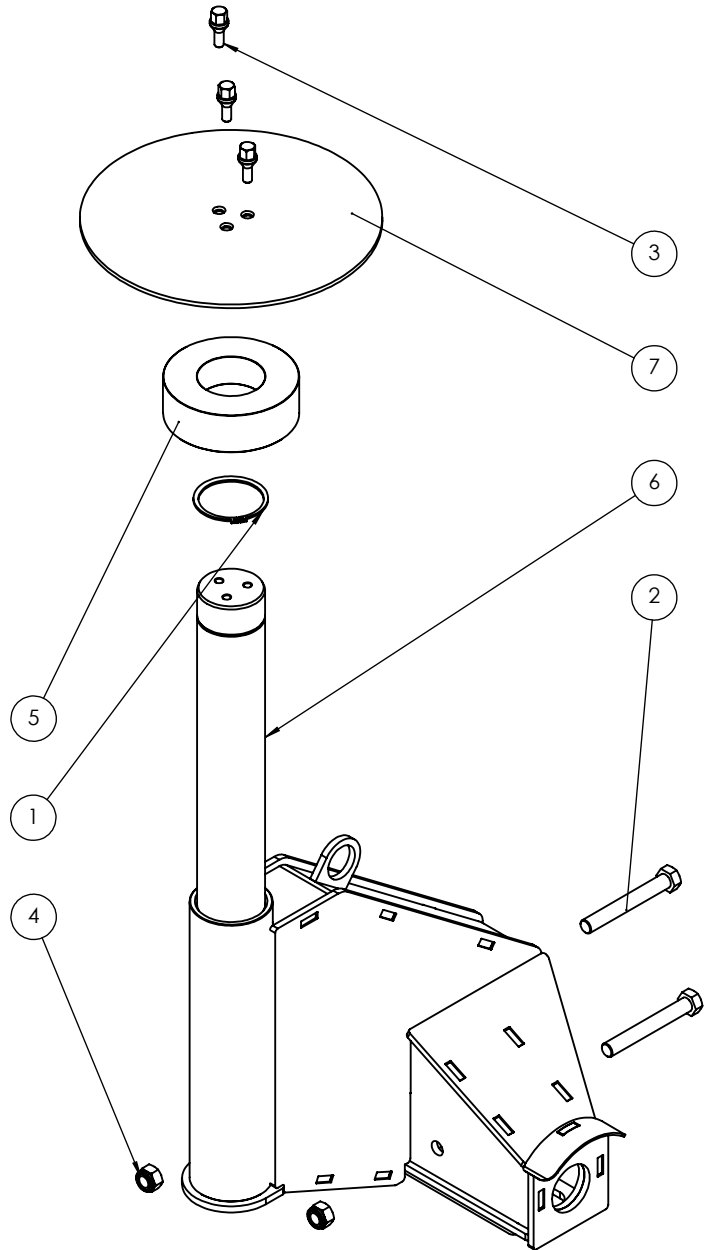
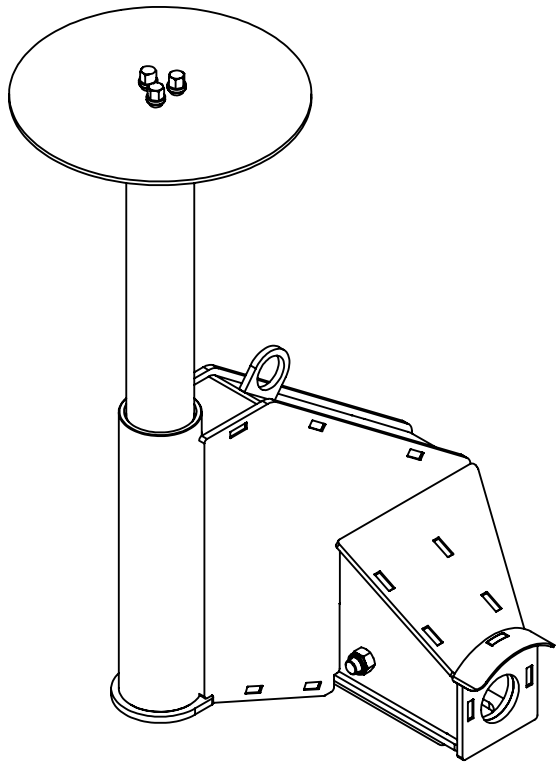
Part Number
0810-19L-65

Description
LH Chain Carrier M Assembly 62HDX

For Machines Built:
62HDX (112043-65)-

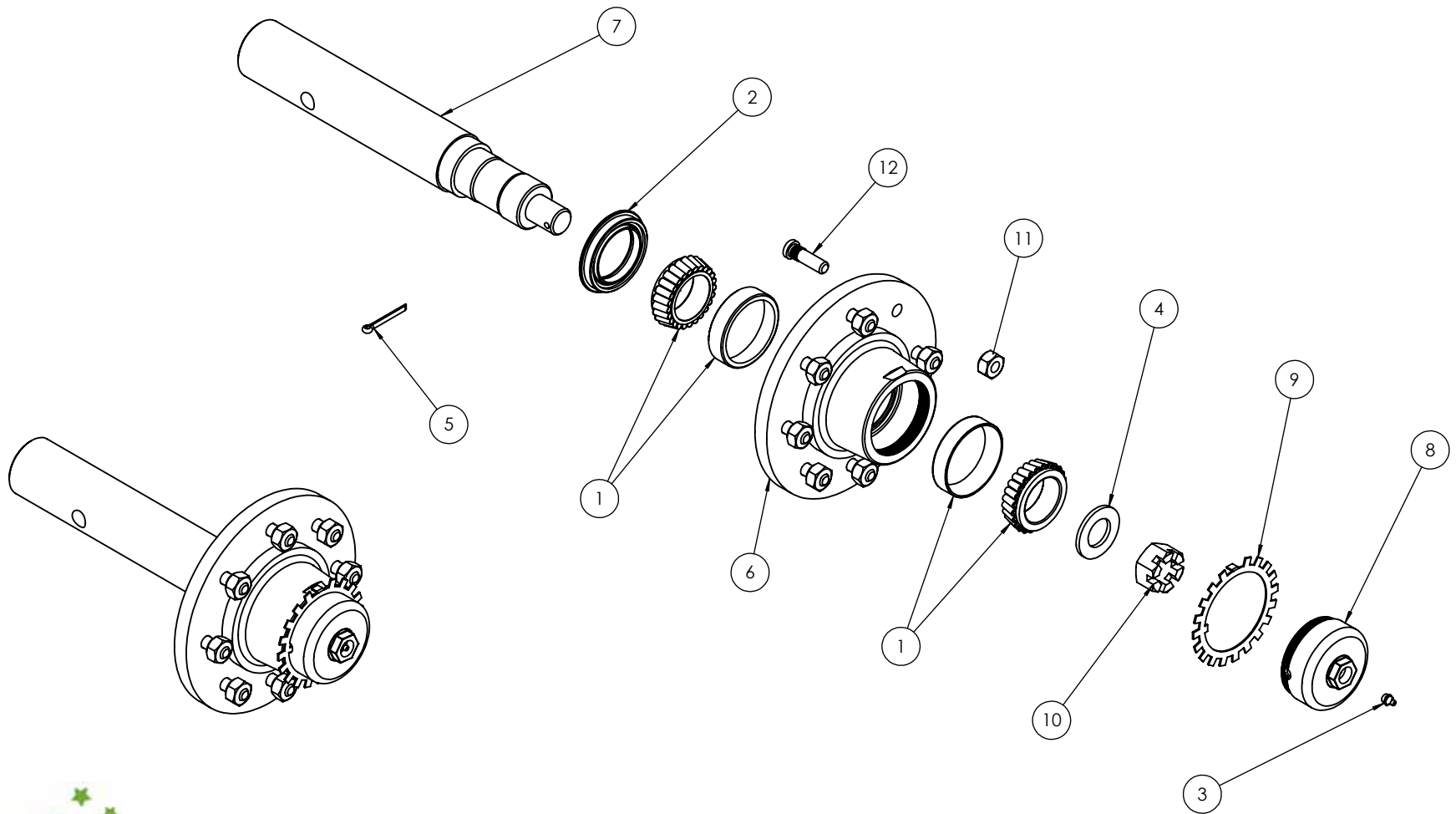
Revision
A

ITEM NO.	PART NUMBER	Revision	DESCRIPTION	Default/Qty.
1	0172-D1400-90		Circlip External 90mm	1
2	0211-20150	A	M20 x 150 Grade 8.8 ZP Bolt	2
3	0216-WB1224		M12 x 24 Wheel Bolt	3
4	0221-NYL20		Nyloc Nut M20	2
5	1201-DC9018060	A-0	Bolt on Brake Disc Dust Cap 90ID x 180OD x 60	1
6	1210-80	I-1	Heavy Duty Jockey Wheel	1
7	1600-405	A-0	Brake Disc	1



Part Number 1210-80A	Description Heavy Duty Jockey Wheel Assembly	For Machines Built:	Revision C-0
--------------------------------	---	---------------------	-----------------

ITEM NO.	PART NUMBER	Revision	DESCRIPTION	QTY.
1	0111-33011		Bearing 33011 (Cup & Cone)	2
2	0121-AP7M2 906510	A	AP7 Seal 90 x 65 x 10mm	1
3	0181-GN1-8	A	Grease Nipple 1/8" BSP	1
4	0232-F11-4		Washer Flat 1 1/4"	1
5	0261-PINC650		Cotter Pin M6 x 50mm	1
6	0731-H96880	A	6T 8 on 8" PCD (Hub only)	1
7	0732-275R6TKE	A	6T 2.75"R x 460mm Stub	1
8	0741-D-CAP6T	A	95mm Cast Iron Screw in Cap	1
9	0741-LW6T	A	Lock Washer 6T Hub	1
10	0741-NCAS114	A	Castle Nut 1 1/4" x 12	1
11	0741-NW9-16	A	Wheel Nut 9/16" 90 Deg	8
12	0741-WS9-16	A	Wheel Stud 9/16" UNF	8



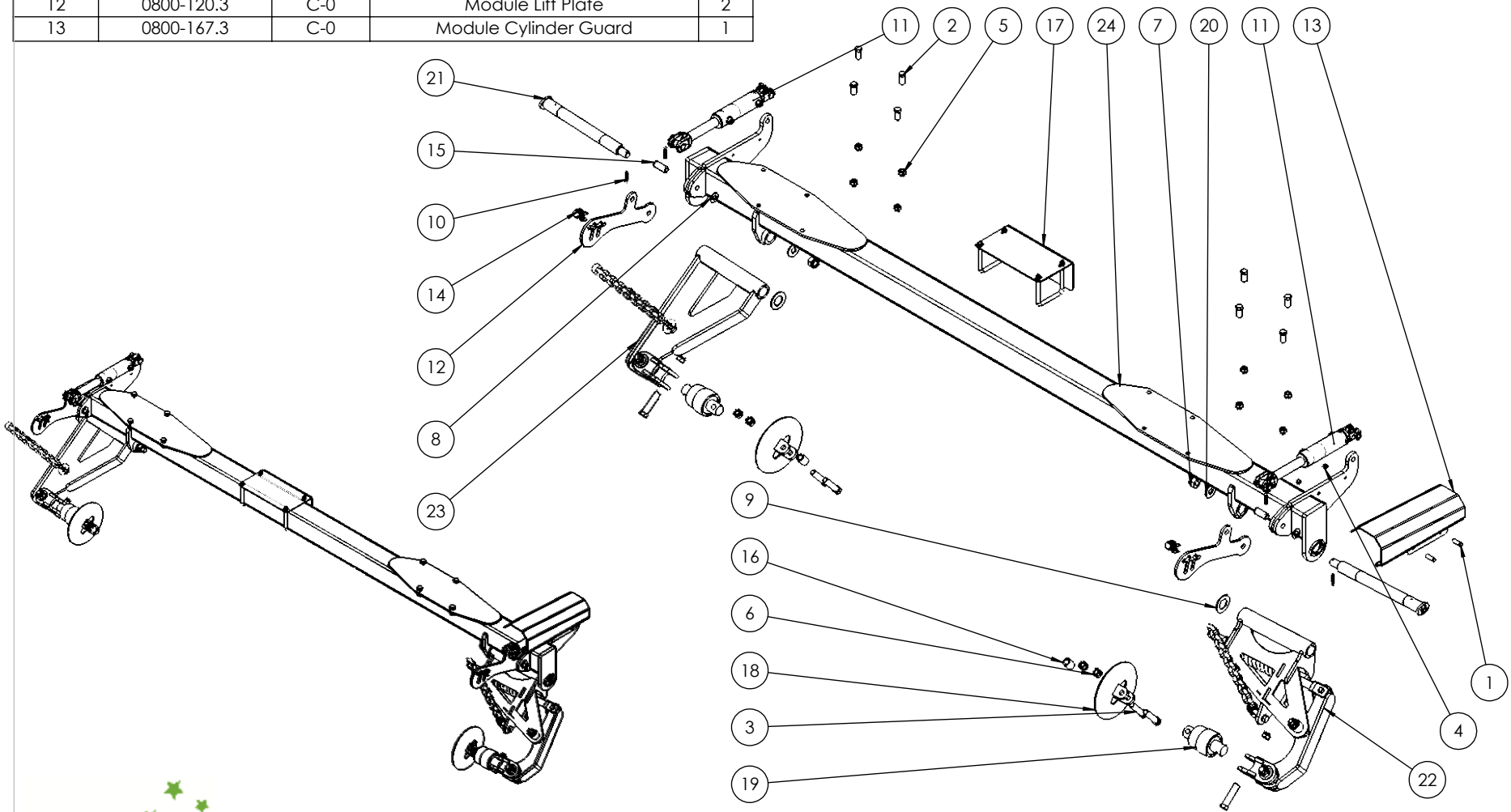
Part Number
0733-SH27596880

Description
2.75"R 6 Tonne 8 on 8" PCD Hub & Stub Complete

For Machines Built:
62HDX (112043-65)-

Revision
A

ITEM NO.	PART NUMBER	Revision	DESCRIPTION	QTY.	ITEM NO.	PART NUMBER	Revision	DESCRIPTION	QTY.
1	0211-1250		M12 x 50 grade 8.8 ZP Bolt	2	14	0801-KE014	B	Height Adjustor Retaining Clip	2
2	0211-2050	A	M20 x 50 grade 8.8 ZP Bolt	8	15	0801-KE0307-1	B-0	Clevis Pin 25mm x 75mm	2
3	0211-24120ST	A	M24 x 120 grade 10.9 zp Short Thread Bolt	6	16	0801-PCDCS55	A	Tie Plate Bush	2
4	0221-NYL12		Nyloc Nut M12	2	17	0802-229-65	B	Rear Module Guard Assembly 65'	1
5	0221-NYL20		Nyloc Nut M20	8	18	0802-DCTP-24	A	Disc Chain Tie Plate Link 24mm	2
6	0221-NYL24		Nyloc Nut M24	6	19	0802-PCHB553	A	24mm Bolt Swivel Unit	2
7	0221-NYL30		Nyloc Nut M30	2	20	1200-60	A	50mm Pivot Pin Retaining Washer	2
8	0232-F1		Washer Flat 1"	2	21	1202-08	C	Oval Head 50mm Long Pivot Pin	2
9	0232-HT2	A	Washer High Tensile 2"	2	22	1210-102A	A-1	Right Hand Chain Tension Assembly	1
10	0261-PINC650		Cotter Pin M6 x 50mm	4	23	1210-20-553	A-1	PCHB553 Chain Mount Assembly	1
11	0311-256SP	A-0	2.5" Bore x 6" Stroke 1.5" Rod Side Port Cylinder	2	24	1210-29	C-2	65' Rear Module	1
12	0800-120.3	C-0	Module Lift Plate	2					
13	0800-167.3	C-0	Module Cylinder Guard	1					



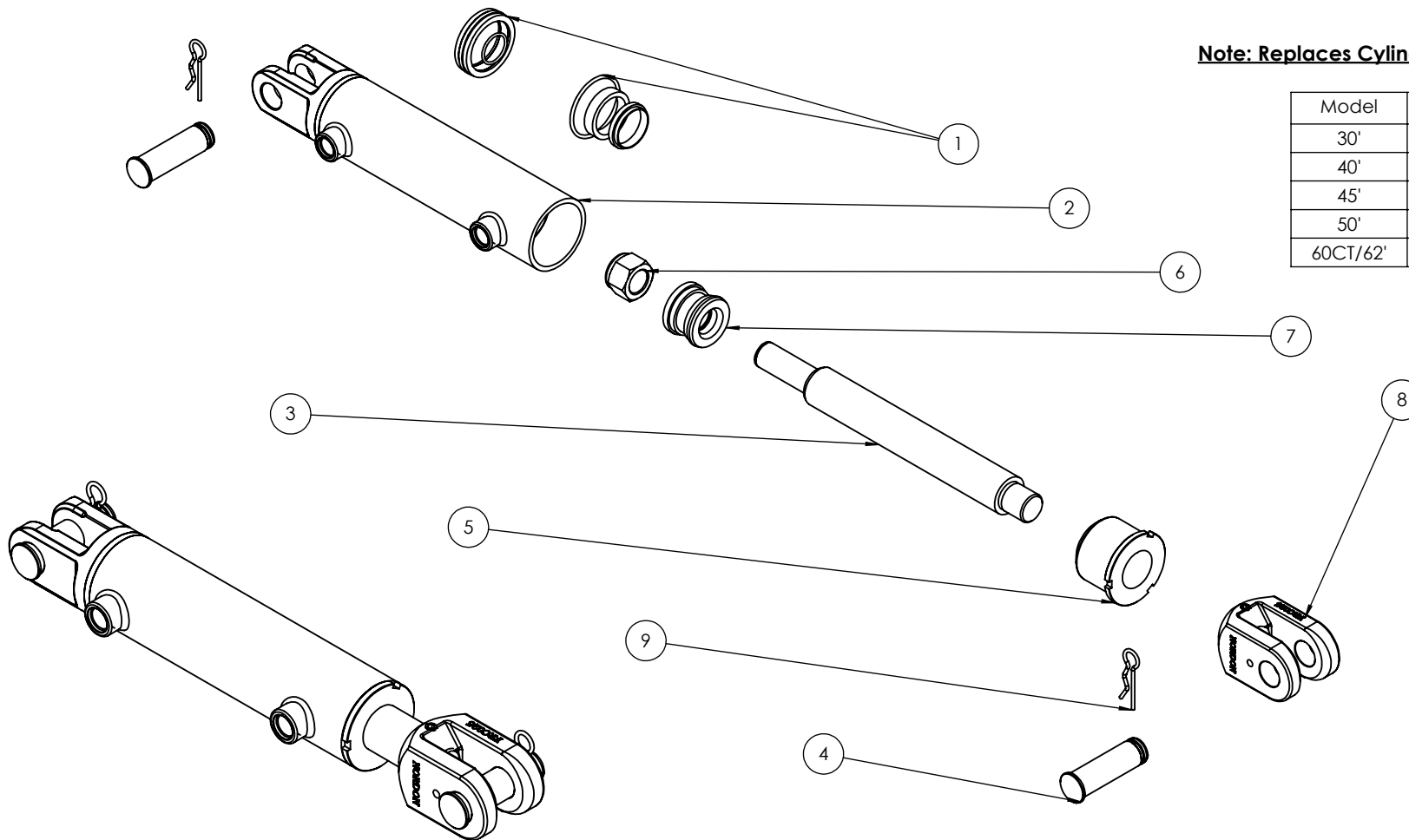
Part Number
1210-29A

Description
65' Rear Module Assembly

For Machines Built:
65'(112043-65)-

Revision
A-1

ITEM NO.	PART NUMBER	Revision	DESCRIPTION	QTY.
1	0312-N25	A-0	Nordon 2.5" Cylinder Seal Kit	1
2	0313-256SP-B	A-0	2.5" x 6" Hydraulic Cylinder Barrel	1
3	0313-256SP-R	A-0	Rod For 2.5" x 6" Hydraulic Cylinder	1
4	0313-NCP1X75	A-0	Hydraulic Cylinder Pin 1" x 75mm	2
5	0313-NG15X25		Hydraulic Cylinder Gland 1.5" Rod x 2.5" Barrel	1
6	0313-NN1		Nordon 1" Cylinder Rod Nut	1
7	0313-NP25	A-0	Hydraulic Cylinder Piston 2 1/2"	1
8	0313-NRC1X1 1-8	A-0	Hydraulic Cylinder Rod Clevis 1" Pin 1 1/8" Thread	1
9	0511-RCLIP3		R Clip 3mm	2



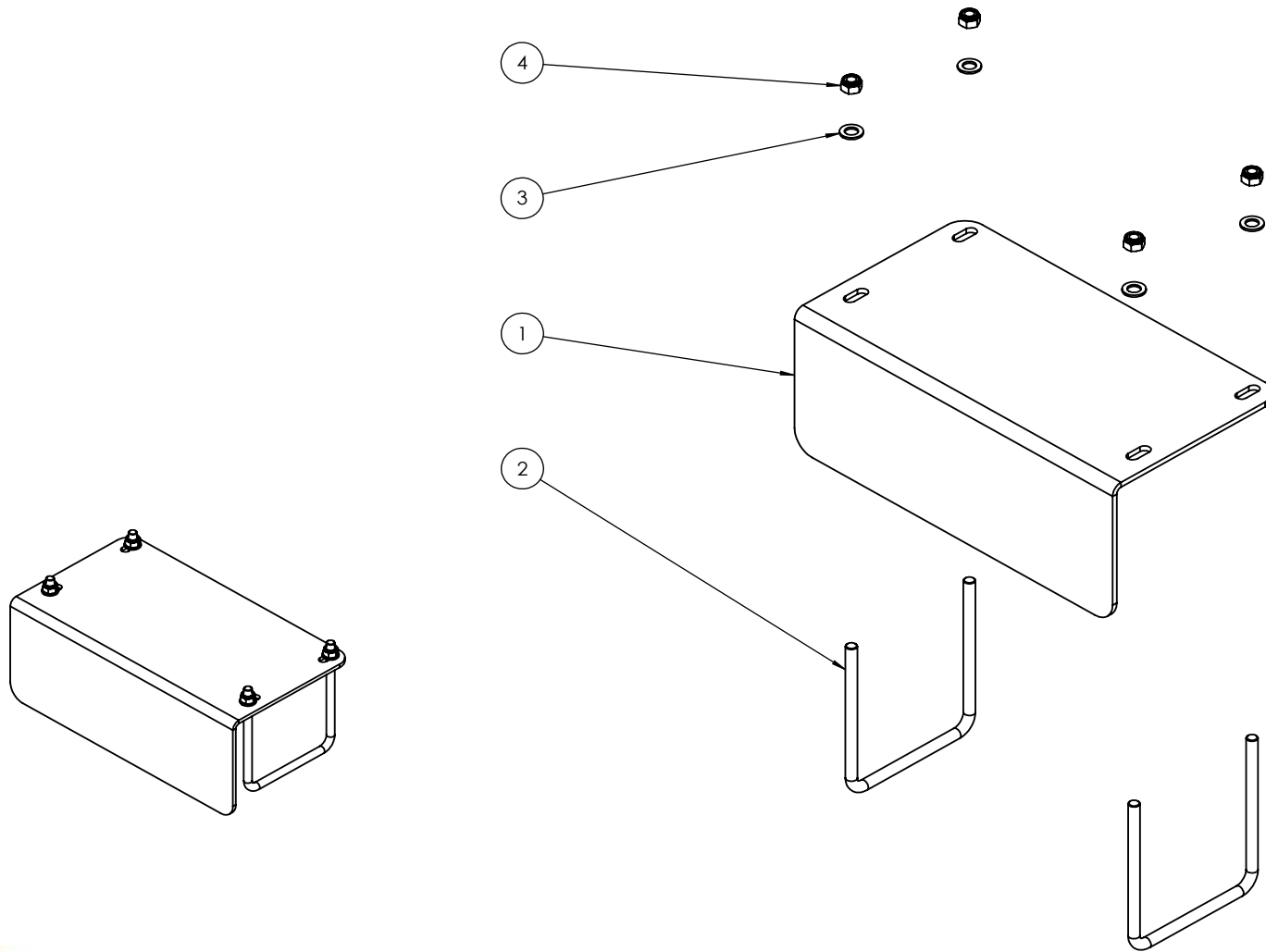
Note: Replaces Cylinder 0311-5041

Model	Qty
30'	3
40'	3
45'	3
50'	3
60CT/62'	3



Part Number 0311-256SP	Description 2.5" Bore x 6" Stroke 1.5" Rod Side Port Cylinder	For Machines Built:	Revision A-0
----------------------------------	--	---------------------	-----------------

ITEM NO.	PART NUMBER	Revision	DESCRIPTION	QTY.
1	0800-229.1	B	Rear Module Guard 60'/65'	1
2	0271-12180155	A	U-Bolt M12 x 180 Deep x 155 Wide	2
3	0231-F12		M12 zp Flat Washer	4
4	0221-NYL12		M12 Nyloc Nut	4



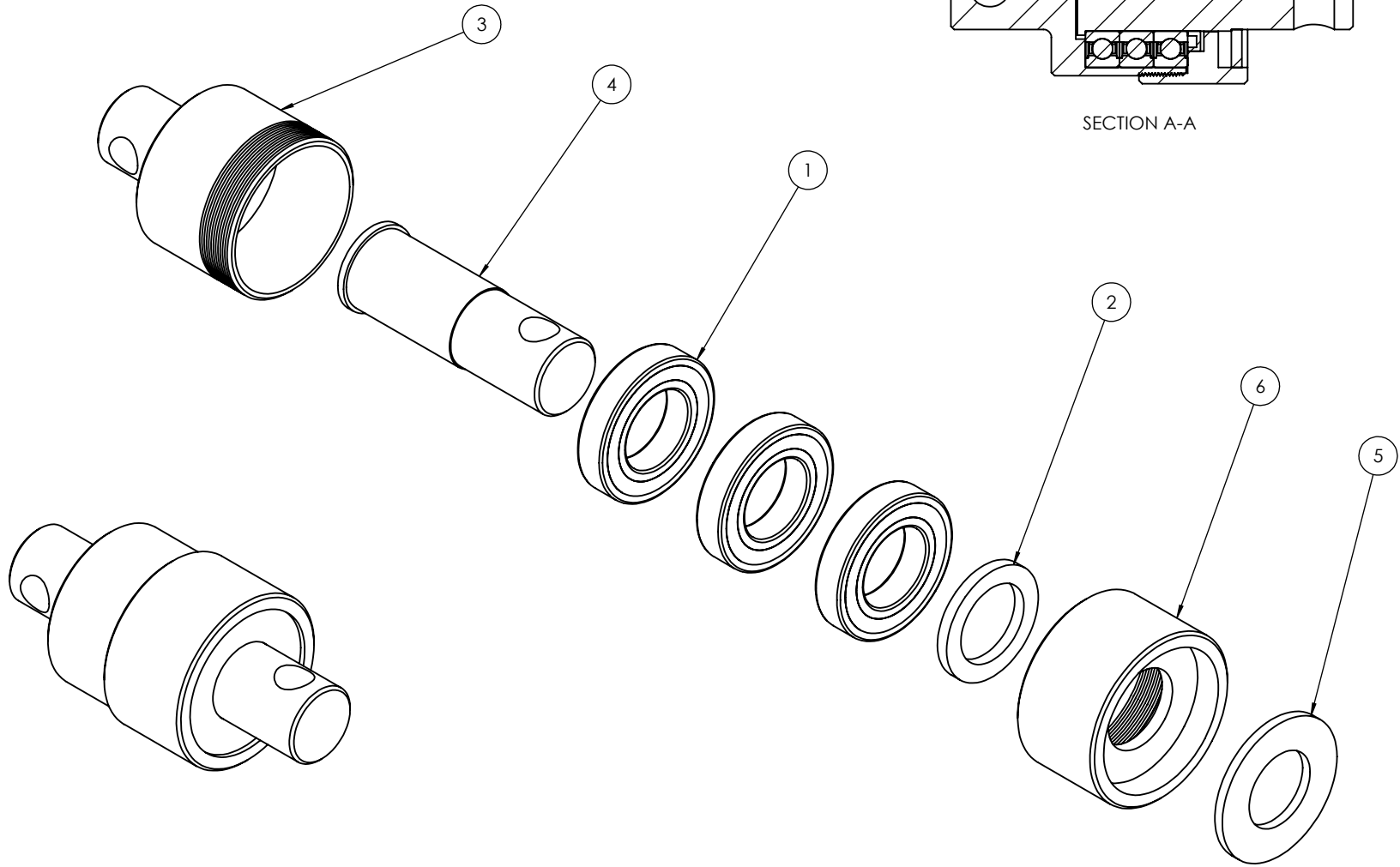
Part Number
0802-229-65

Description
Rear Module Guard Assembly 62HDX

For Machines Built:
62HDX (112043-65)-

Revision
B

ITEM NO.	PART NUMBER	Revision	DESCRIPTION	QTY.
1	0112-6211		Bearing 6211 2RS	3
2	0121-TC12616		TC12616 Seal 55mm x 80mm x 8mm	1
3	0801-PCHB553H	A	Housing to Suit PCHB553 Swivel	1
4	0801-PCHB553S	A	Shaft To Suit PCHB553 Swivel	1
5	0801-PCHB553WA	A-1	Washer To Suit PCHB553 Swivel	1
6	0801-PCHB553C	A	Cap To Suit PCHB553 Swivel	1



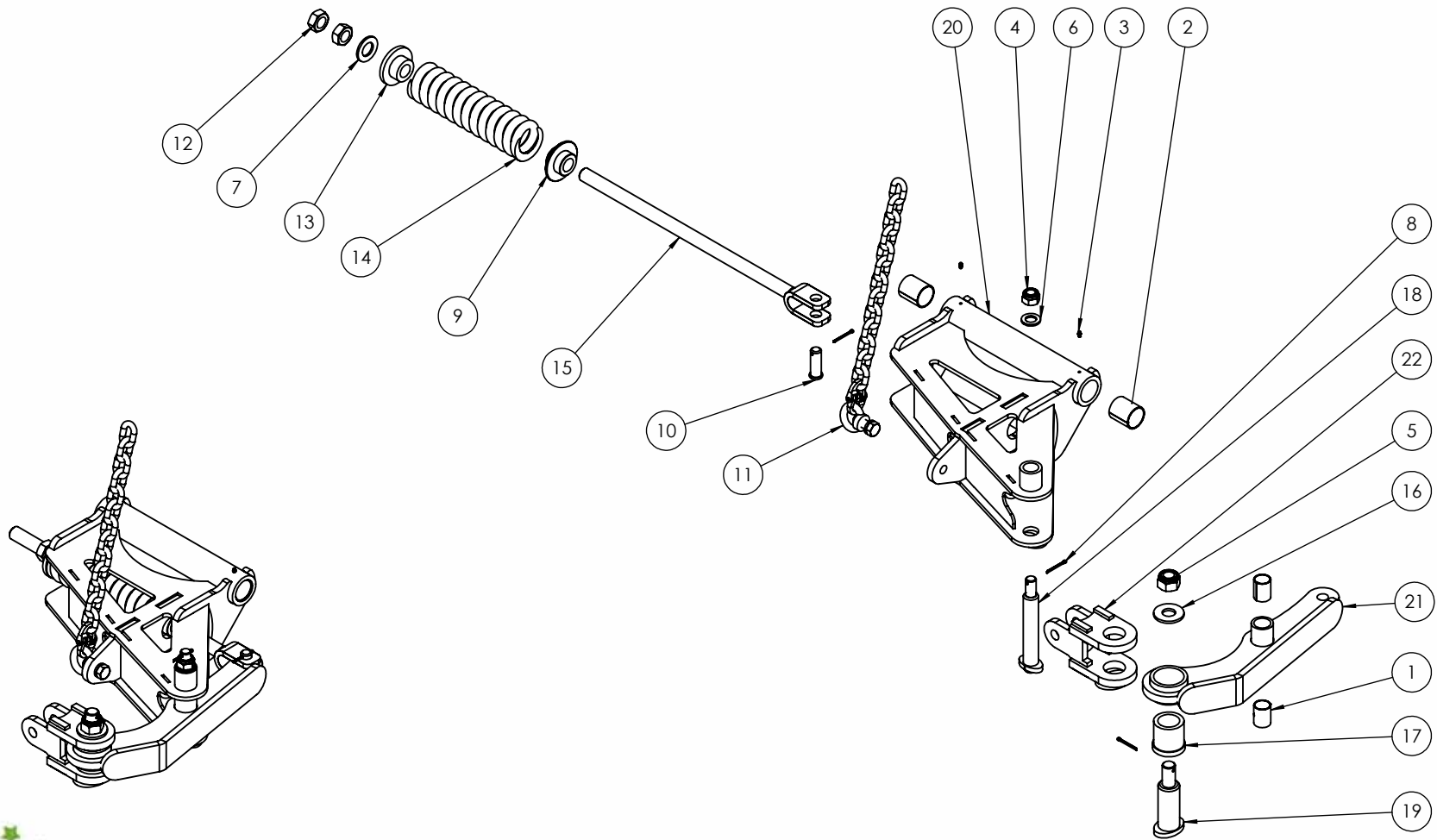
Part Number
0802-PCHB553

Description
24mm Bolt Swivel Unit

For Machines Built:
65'(112043-65)-

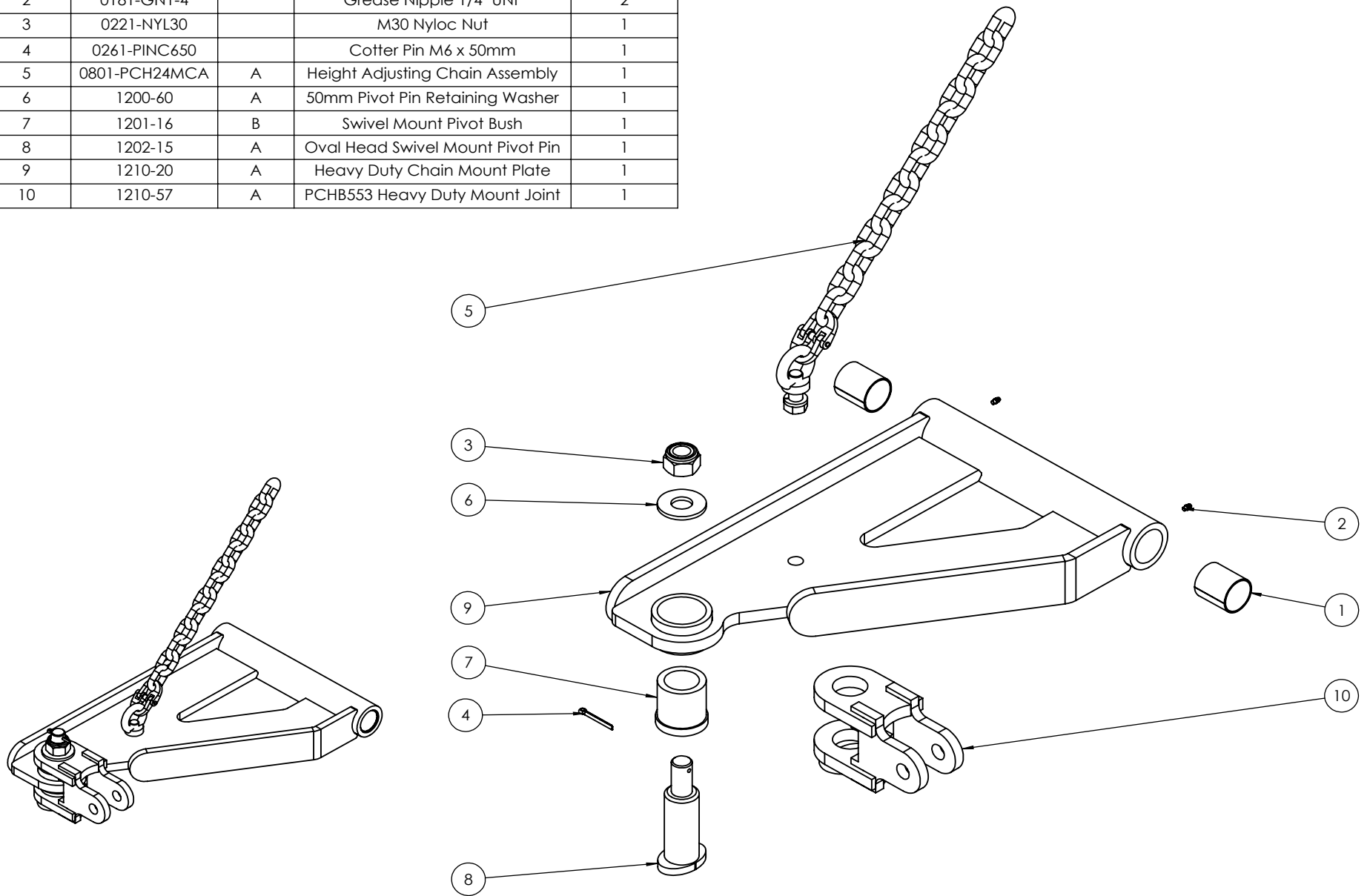
Revision
A-1

ITEM NO.	PART NUMBER	Revision	DESCRIPTION	QTY.	ITEM NO.	PART NUMBER	Revision	DESCRIPTION	QTY.
1	0113-MB 3550DX	A	35 ID x 50mm DX Bush	2	12	0801-PCHTA-N6	A	32mm 6 tpi ACME Lock Nut	2
2	0113-MB 5060DX	A	50 ID x 60mm DX Bush	2	13	0801-PCHTA-SB	B	Steel Spring Retaining Bush	1
3	0181-GN1-4		Grease Nipple 1/4" UNF	2	14	0801-XK9261S	A	20mm Coil Spring	1
4	0221-NYL24		M24 Nyloc Nut	1	15	0810-105	B	Module Tension Linkage	1
5	0221-NYL30		M30 Nyloc Nut	1	16	1200-60	A	50mm Pivot Pin Retaining Washer	1
6	0231-F24		M24 zp Flat Washer	1	17	1201-16	B	Swivel Mount Pivot Bush	1
7	0232-HT11-4		Washer High Tensile 1 1/4"	1	18	1202-09	A	Oval Head 35mm Short Pivot Pin	1
8	0261-PINC550	A	Cotter Pin M5 x 50	3	19	1202-15	A	Oval Head Swivel Mount Pivot Pin	1
9	0801-10-S2L	A	Rigid Spring Locator	1	20	1210-102	A	Right Hand Chain Tension Box	1
10	0801-KE0307-1	A	Clevis Pin 25mm x 75mm	1	21	1210-104	A	Chain Tension Arm	1
11	0801-PCH24MCA	A	Height Adjusting Chain Assembly	1	22	1210-57	A	PCHB553 Heavy Duty Mount Joint	1



Part Number 1210-102A	Description Right Hand Chain Tension Assembly	For Machines Built: 62HDX (112043-65)-	Revision A
---------------------------------	--	---	----------------------

ITEM NO.	PART NUMBER	Revision	DESCRIPTION	QTY.
1	0113-MB 5060DX	A	50 ID x 60mm DX Bush	2
2	0181-GN1-4		Grease Nipple 1/4" UNF	2
3	0221-NYL30		M30 Nyloc Nut	1
4	0261-PINC650		Cotter Pin M6 x 50mm	1
5	0801-PCH24MCA	A	Height Adjusting Chain Assembly	1
6	1200-60	A	50mm Pivot Pin Retaining Washer	1
7	1201-16	B	Swivel Mount Pivot Bush	1
8	1202-15	A	Oval Head Swivel Mount Pivot Pin	1
9	1210-20	A	Heavy Duty Chain Mount Plate	1
10	1210-57	A	PCHB553 Heavy Duty Mount Joint	1



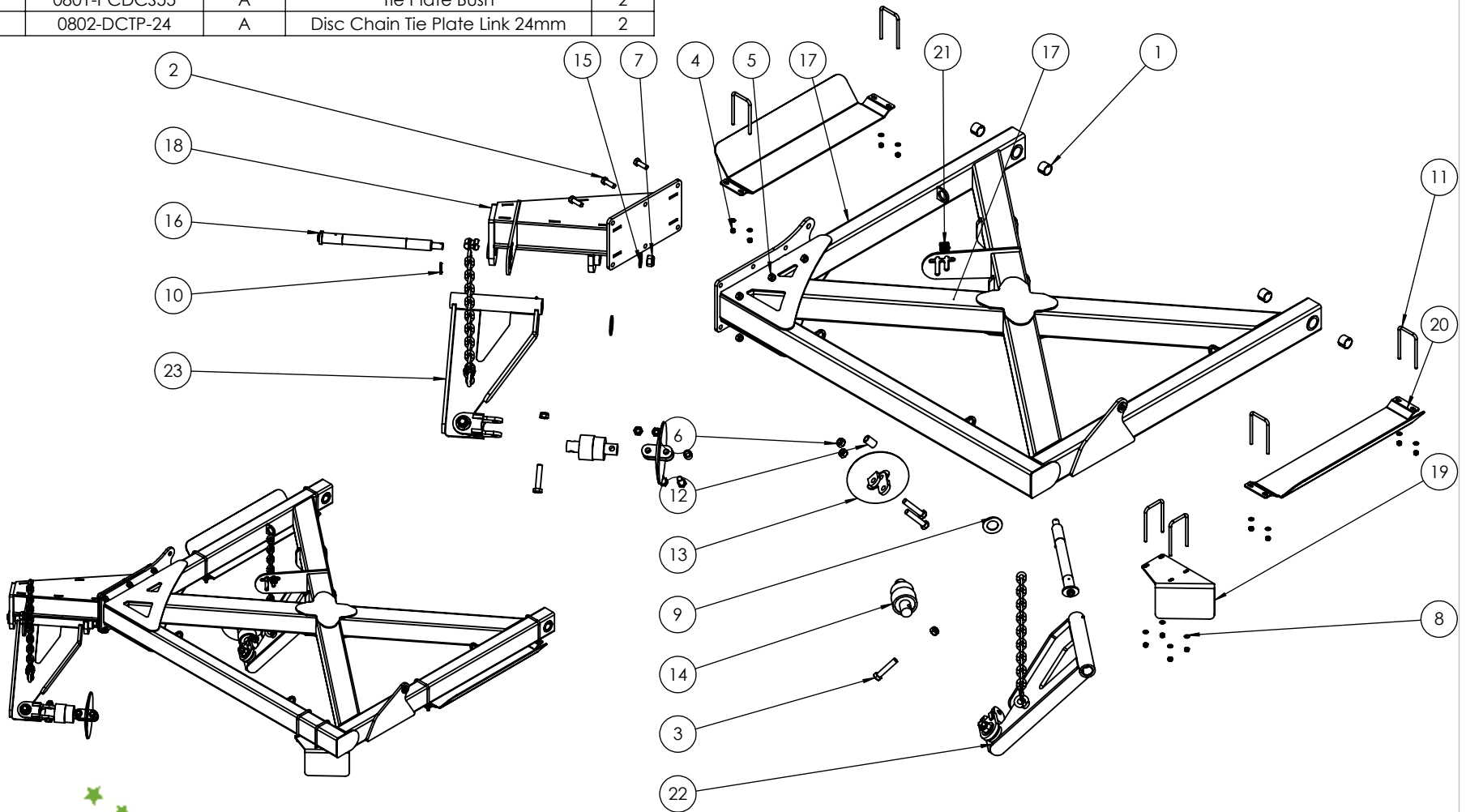
Part Number
1210-20-553

Description
PCHB553 Chain Mount Assembly

For Machines Built:
62HDX (112043-65)-

Revision
A

ITEM NO.	PART NUMBER	Revision	DESCRIPTION	QTY.	ITEM NO.	PART NUMBER	Revision	DESCRIPTION	QTY.
1	0113-MB 5040DX	A	50 ID x 40mm DX Bush	4	14	0802-PCHB553	A	24mm Bolt Swivel Unit	2
2	0211-2060	A	M20 x 60 grade 8.8 ZP Bolt	6	15	1200-60	A	50mm Pivot Pin Retaining Washer	2
3	0211-24120ST	A	M24 x 120 grade 10.9 zp Short Thread Bolt	6	16	1202-08	C	Oval Head 50mm Long Pivot Pin	2
4	0221-NYL12		Nyloc Nut M12	12	17	1210-10	C-0	Heavy Duty Rear Tail	1
5	0221-NYL20		Nyloc Nut M20	6	18	1210-12	B-1	Rear Tail Extension	1
6	0221-NYL24		Nyloc Nut M24	6	19	0800-220.1	C-0	Tail Chain Stop Guard	1
7	0221-NYL30		Nyloc Nut M30	2	20	0800-235	B	Rear Tail Guard	2
8	0231-F12		Washer Flat M12	12	21	0801-KE014	B	Height Adjustor Retaining Clip	2
9	0232-HT2	A	Washer High Tensile 2"	2	22	1210-20-553		PCHB553 Chain Mount Assembly	1
10	0261-PINC650		Cotter Pin M6 x 50mm	2	23	1210-20-553		PCHB553 Chain Mount Assembly	1
11	0271-12185104		U-Bolt M12 x 185 Deep x 104 Wide	6					
12	0801-PCDCS55	A	Tie Plate Bush	2					
13	0802-DCTP-24	A	Disc Chain Tie Plate Link 24mm	2					



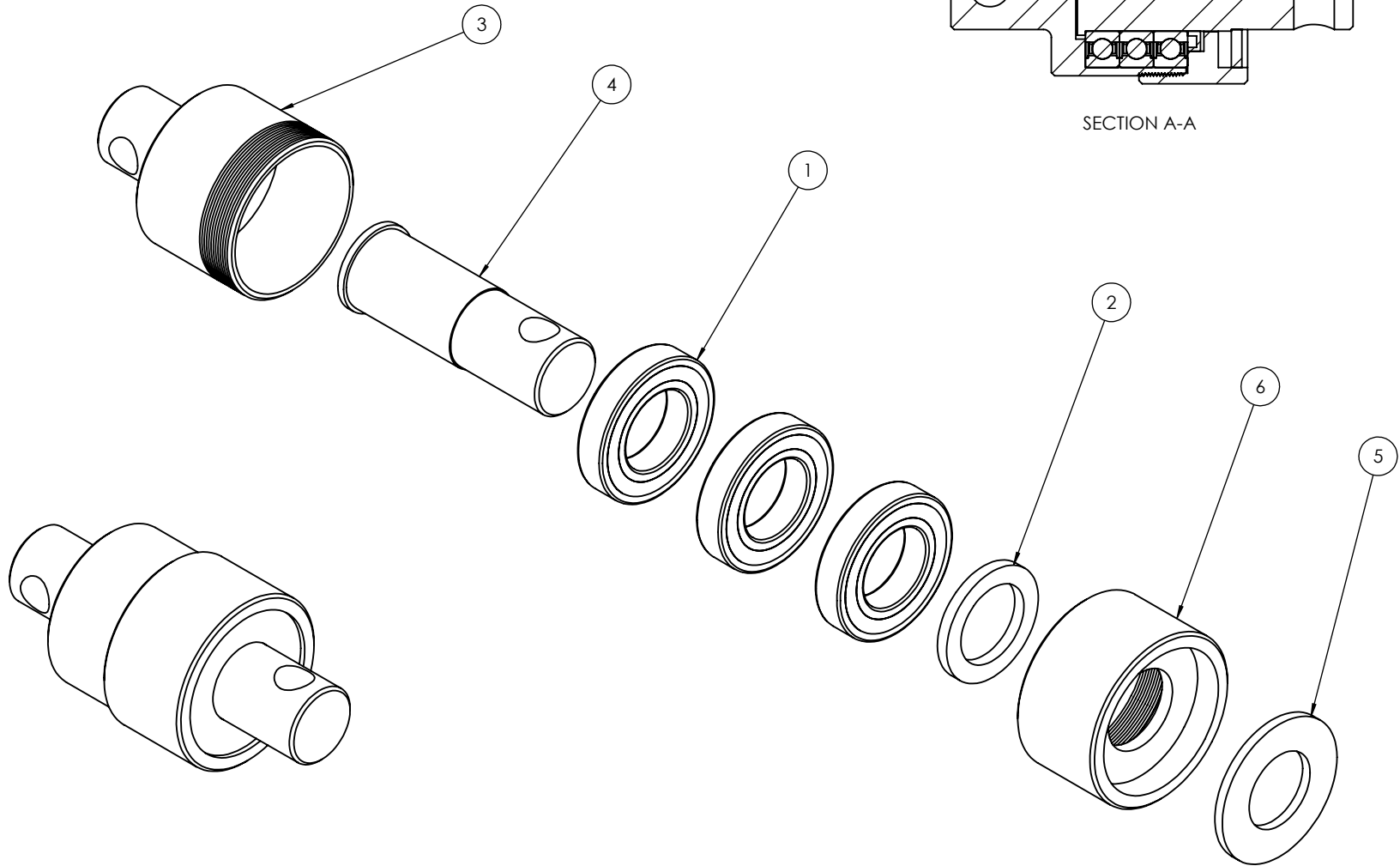
Part Number
1210-10A

Description
Heavy Duty Rear Tail Assembly

For Machines Built:
65'(112043-65)-

Revision
A-1

ITEM NO.	PART NUMBER	Revision	DESCRIPTION	QTY.
1	0112-6211		Bearing 6211 2RS	3
2	0121-TC12616		TC12616 Seal 55mm x 80mm x 8mm	1
3	0801-PCHB553H	A	Housing to Suit PCHB553 Swivel	1
4	0801-PCHB553S	A	Shaft To Suit PCHB553 Swivel	1
5	0801-PCHB553WA	A-1	Washer To Suit PCHB553 Swivel	1
6	0801-PCHB553C	A	Cap To Suit PCHB553 Swivel	1



Part Number
0802-PCHB553

Description
24mm Bolt Swivel Unit

For Machines Built:
65'(112043-65)-

Revision
A-1