



# Kelly Diamond Harrow

## Parts Manual

### Model 46

Revision B

#### For machines with serial numbers:

117006-46 to Current

2170117-46 to Current

#### **Kelly Engineering**

PO Box 100

Booleroo Centre

South Australia 5482

P +61 8 8667 2253

E [sales@kellyengineering.com.au](mailto:sales@kellyengineering.com.au)

W [www.kellyengineering.com.au](http://www.kellyengineering.com.au)

# Thank you for choosing a Kelly Engineering product

We trust that you find the following manual clear and easy to follow. If you should require additional customer support or assistance, please do not hesitate to contact us.

Spare parts can be purchased, as required, through your local dealer or by contacting Kelly Engineering Australia or in the United States, Hood & Company.

Kelly Engineering welcomes feedback. Should you have any difficulties that you wish to raise, suggestions for improvement or modifications that you feel would enhance our products we look forward to hearing from you.

## **Australia**

### **Kelly Engineering**

**PO Box 100**

**Booleroo Centre SA 5482**

**Phone:** + 61 8 8667 2253

**Fax:** + 61 8 8667 2250

**Email:** sales@kellyengineering.com.au

**Spare Parts:** parts@kellyengineering.com.au

**Website:** www.kellyengineering.com.au

## **United States**

### **Kelly Engineering**

**526 1st Street**

**PO Box 121**

**New Glarus WI 53574**

**Phone:** 608 527 2386

**Mobile:** 316 304 6178

**Email:** sales@kellyharrows.com

**Website:** www.kellyharrows.com

## **Spare Parts**

### **Hood & Company Inc**

**Springfield MO**

**Phone:** 417 865 2100

**Fax:** 417 865 2105

**Email:** hoodco@hoodco.com

# Model 46 Parts Manual index

1. 1646-KDH (46' Kelly Diamond Harrow)
2. 0810-17-46FA (46' Front Chain Carrier Assembly)
3. 0810-17-46RA (46' Rear Chain Carrier Assembly)
4. 1610-08A (Drawbar Assembly)
  - 4.1. 0311-412EXT (4" Bore 12" Stroke Extended Hydraulic Cylinder)
5. 1610-10SA (Rear Tail Assembly)
  - 5.1. 0802-PCHB55 (20mm Bolt Swivel Unit)
6. 1610-28-46A (46' Front Module Assembly)
  - 6.1. 0311-256SP (2.5" Bore x 6" Stroke 1.5" Rod Side Port Cylinder)
  - 6.2. 0802-PCHB55 (20mm Bolt Swivel Unit)
7. 1610-29-46A (46' Rear Module Assembly)
  - 7.1. 0311-256SP (2.5" Bore x 6" Stroke 1.5" Rod Side Port Cylinder)
  - 7.2. 0802-PCHB55 (20mm Bolt Swivel Unit)
8. 1646-01A (46' Centre Frame Assembly)
  - 8.1. 0733-SH27596880 (2.75"R 6 Tonne 8 on 8" PCD Hub Stub Complete)
    - 8.1.1. LG6080067 (8-Bolt Hub & Stub)
  - 8.2. 0751-400-60-22.5TR (400/60-22.5 Tyre on 8 on 8" PCD Rim)
9. 1646-02S (46' Front A-Frame Assembly)
  - 9.1. 0802-PCHB55 (20mm Bolt Swivel Unit)
  - 9.2. 0810-37A (Heavy Duty Jack Assembly)
  - 9.3. 1646-02 (Front A-Frame)
10. 1646-03A (46' Rear A-Frame Assembly)
  - 10.1. 0311-256SP (2.5" Bore x 6" Stroke 1.5" Rod Side Port Cylinder)
  - 10.2. 0311-424 (4" Bore 24" Stroke 1.75" Rod Hydraulic Cylinder)
  - 10.3. 1610-11-70A (Jockey Wheel Assembly)
    - 10.3.1.0733-K5083T66S (Axle 2"R 3T 6 on 6" PCD 330 OHF)
      - 10.3.1.1. LG880093 (6-Bolt Hub & Stub)
    - 10.3.2.0751-11L15 (11L15 F3 Tyre on 6 on 6" PCD Rim)
11. 1646-04A (46' RH Inner Wing Assembly)
  - 11.1. 0311-530STSP (5" Bore 30" Stroke 3 1/8" S/Tube 2" Rod Hydraulic Cylinder)
12. 1646-05S (46' LH Inner Wing Assembly)
  - 12.1. 0311-530STSP (5" Bore 30" Stroke 3 1/8" S/Tube 2" Rod Hydraulic Cylinder)
13. 1646-06A (46' RH Outer Wing Assembly)
  - 13.1. 0311-324SP (3" Bore x 24" Stroke 1.5" Rod Side Port Hydraulic Cylinder)
  - 13.2. 0733-SH27596880 (2.75"R 6 Tonne 8 on 8" PCD Hub Stub Complete)
    - 13.2.1. LG6080067 (8-Bolt Hub & Stub)
  - 13.3. 0751-400-60-22.5TR (400/60-22.5 Tyre on 8 on 8" PCD Rim)
  - 13.4. 0802-PCHB55 (20mm Bolt Swivel Unit)
14. 1646-07A (46' LH Outer Wing Assembly)
  - 14.1. 0311-324SP (3" Bore x 24" Stroke 1.5" Rod Side Port Hydraulic Cylinder)
  - 14.2. 0733-SH27596880 (2.75"R 6 Tonne 8 on 8" PCD Hub Stub Complete)
  - 14.3. 0751-400-60-22.5TR (400/60-22.5 Tyre on 8 on 8" PCD Rim)
  - 14.4. 0802-PCHB55 (20mm Bolt Swivel Unit)
15. Hydraulics
  - 15.1. 1646-KDH-Fittings - Drawbar Fittings
  - 15.2. 1646-KDH-Fittings - Centre Frame Fittings
  - 15.3. 1646-KDH-Fittings - Front Module Fittings
  - 15.4. 1646-KDH-Fittings - Rear A-Frame Fittings
  - 15.5. 1646-KDH-Fittings - Rear Module Fittings
  - 15.6. 1646-KDH-Fittings - Rear Tail Fittings
  - 15.7. 1646-KDH-Fittings - LH Inner Wing Fittings
  - 15.8. 1646-KDH-Fittings - RH Inner Wing Fittings
  - 15.9. 1646-KDH-Fittings - RH Outer Wing Fittings
16. Appendix
  - 16.1. Hydraulic Fitting Parts Information
  - 16.2. Electrical
  - 16.3. Swivel Unit Rebuild

This document highlights the part numbers and locations of U-bolts to suit machines constructed of imperial sized steel tube.

**Note: New machines will be supplied with the specific imperial sized U-bolt. Please use the specific imperial sized part number when ordering U-bolts as a spare part.**

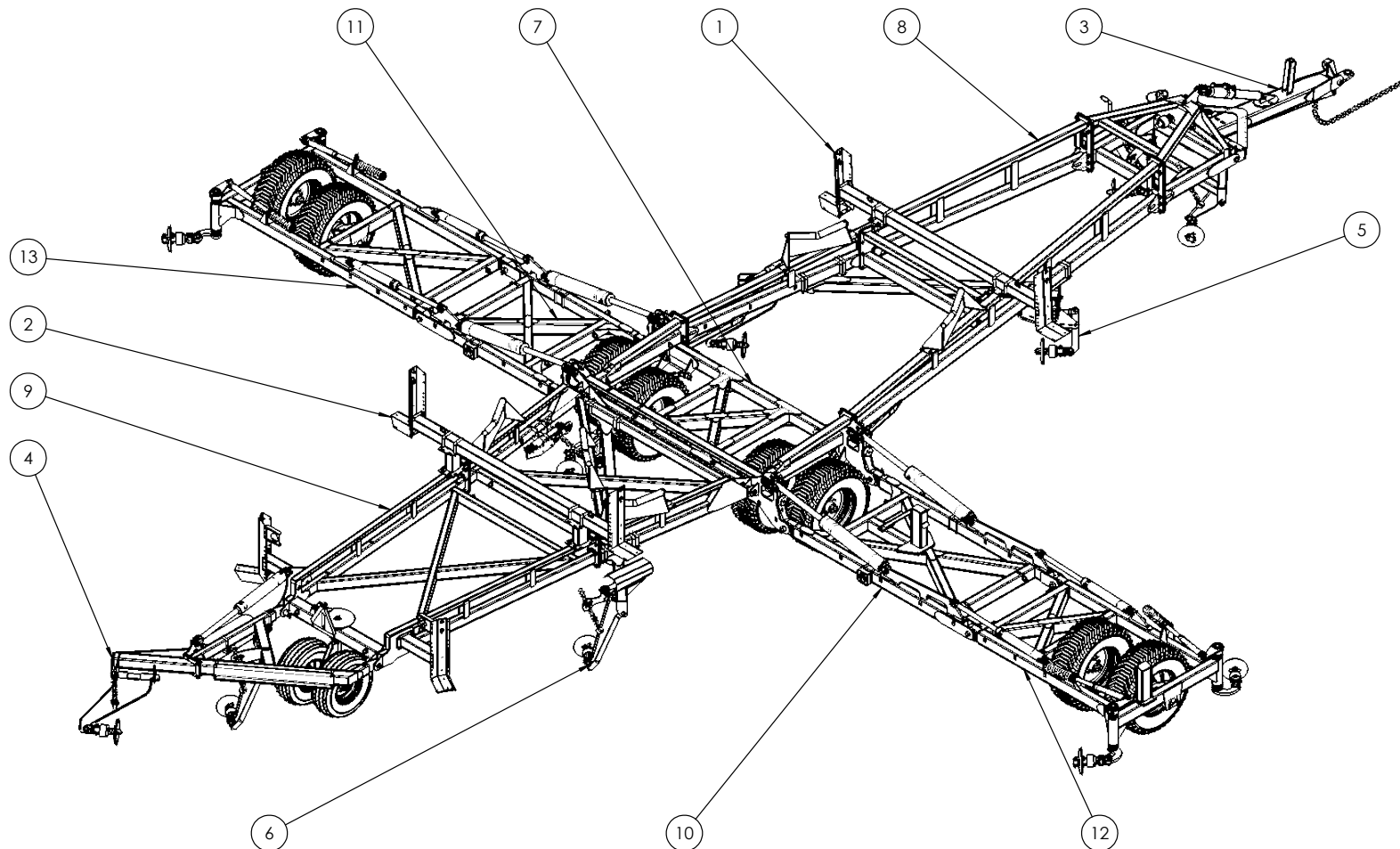
<b>Metric Part No.</b>	<b>Imperial Sized Part No.</b>	<b>Imperial Description</b>
0271-12105104	0271-12107106U	U-Bolt M12 x 107 Deep x 106 Wide
0271-128077	0271-1287279U	U-Bolt M12 x 82 Deep x 76 Wide
0271-16112104	0271-16114106U	U-Bolt M16 x 114 Deep x 106 Wide
0271-16160127	0271-16162129U	U-Bolt M16 x 162 Deep x 129 Wide
0271-1616077	0271-1616779U	U-Bolt M16 x 190 Deep x 106 Wide
0271-16185104	0271-16190106U	U-Bolt M16 x 190 Deep x 106 Wide
0271-168577	0271-168779U	U-Bolt M16 x 87 Deep x 79 Wide

# Parts

# Section 1

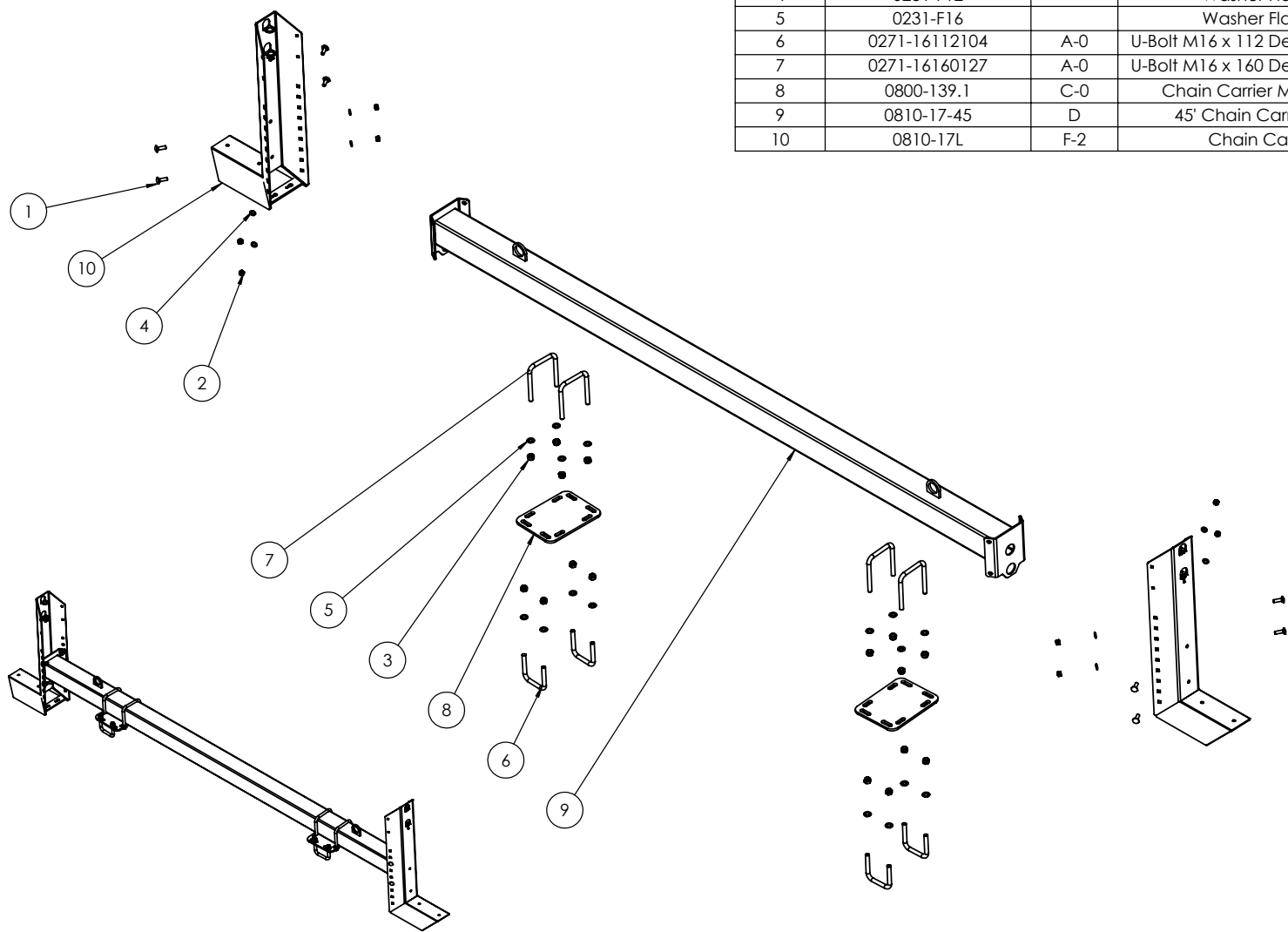
ITEM NO.	PART NUMBER	Revision	DESCRIPTION	QTY.
1	0810-17-46FA	D	46' Front Chain Carrier Assembly	1
2	0810-17-46RA	D	46' Rear Chain Carrier Assembly	1
3	1610-08A	F-0	Drawbar Assembly	1
4	1610-10SA	B-0	Rear Tail Assembly	1
5	1610-28-46A	A-0	46' Front Module Assembly	1
6	1610-29-46A	A-0	46' Rear Module Assembly	1

ITEM NO.	PART NUMBER	Revision	DESCRIPTION	QTY.
7	1646-01A	F-0	46' Centre Frame Assembly	1
8	1646-02A	C-0	46' Front A-Frame Assembly	1
9	1646-03A	B-0	46' Rear A-Frame Assembly	1
10	1646-04A	C-0	46' RH Inner Wing Assembly	1
11	1646-05A	C-0	46' LH Inner Wing Assembly	1
12	1646-06A	F-0	46' RH Outer Wing Assembly	1
13	1646-07A	E-0	46' LH Outer Wing Assembly	1



Part Number <b>1646-KDH</b>	Description 46' Kelly Diamond Harrow	For Machines Built:	Revision B-0
--------------------------------	-----------------------------------------	---------------------	-----------------

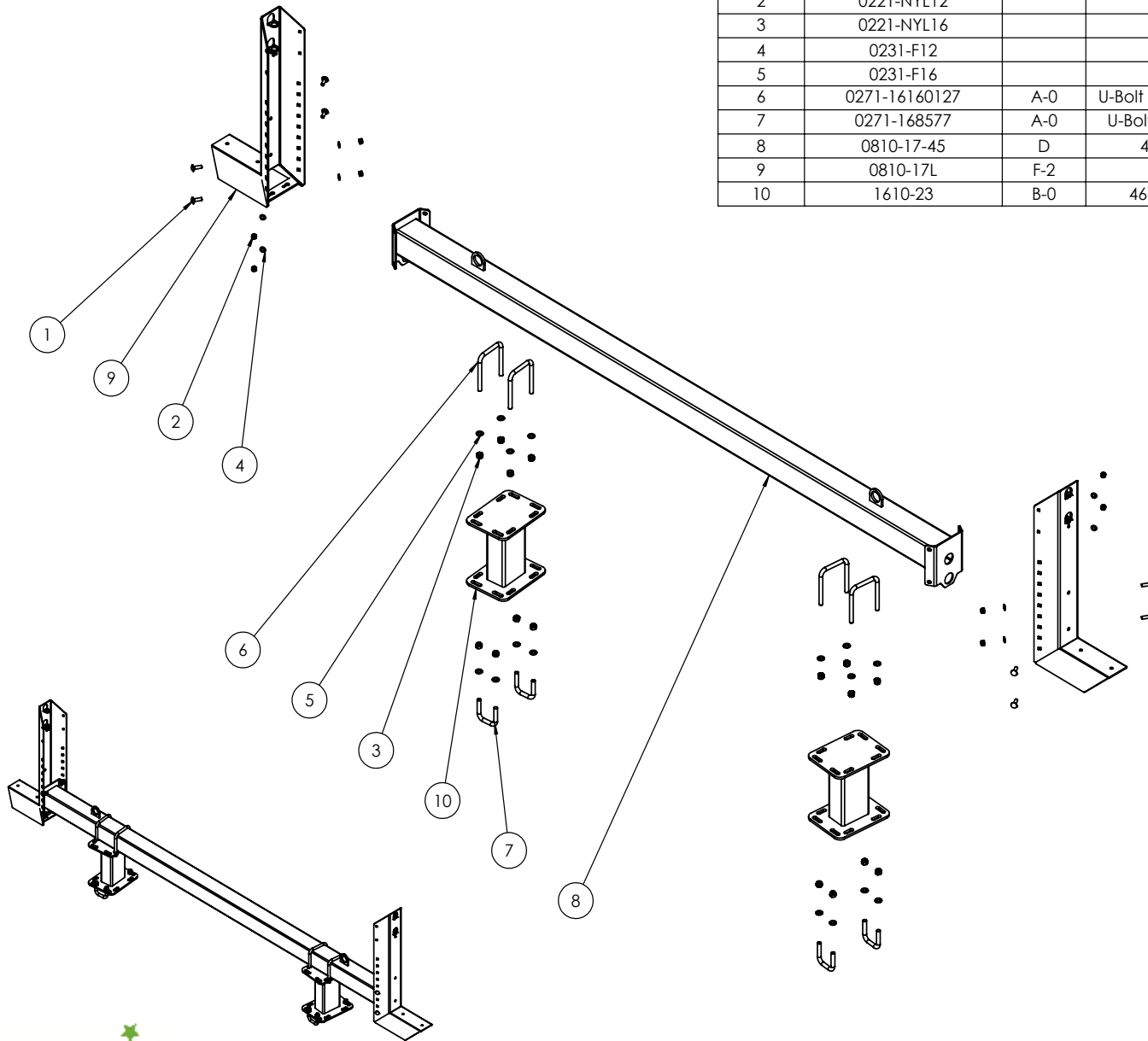
ITEM NO.	PART NUMBER	Revision	DESCRIPTION	QTY.
1	0215-CH1240		M12 x 40 Coach Head Bolt	8
2	0221-NYL12		Nyloc Nut M12	8
3	0221-NYL16		Nyloc Nut M16	16
4	0231-F12		Washer Flat M12	8
5	0231-F16		Washer Flat M16	16
6	0271-16112104	A-0	U-Bolt M16 x 112 Deep x 104 Wide	4
7	0271-16160127	A-0	U-Bolt M16 x 160 Deep x 127 Wide	4
8	0800-139.1	C-0	Chain Carrier Mount Plate	2
9	0810-17-45	D	45' Chain Carrier Beam	1
10	0810-17L	F-2	Chain Carrier L	2



Part Number	Description	For Machines Built:	Revision
<b>0810-17-46FA</b>	<b>46' Front Chain Carrier Assembly</b>		<b>D</b>

# Section 3

ITEM NO.	PART NUMBER	Revision	DESCRIPTION	QTY.
1	0215-CH1240		M12 x 40 Coach Head Bolt	8
2	0221-NYL12		Nyloc Nut M12	8
3	0221-NYL16		Nyloc Nut M16	16
4	0231-F12		Washer Flat M12	8
5	0231-F16		Washer Flat M16	16
6	0271-16160127	A-0	U-Bolt M16 x 160 Deep x 127 Wide	4
7	0271-168577	A-0	U-Bolt M16 x 85 Deep x 77 Wide	4
8	0810-17-45	D	45' Chain Carrier Beam	1
9	0810-17L	F-2	Chain Carrier L	2
10	1610-23	B-0	46' Chain Carrier Pedestal	2



Part Number  
**0810-17-46RA**

Description  
**46' Rear Chain Carrier Assembly**

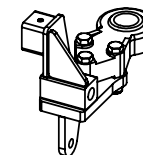
For Machines Built:

Revision

**D**

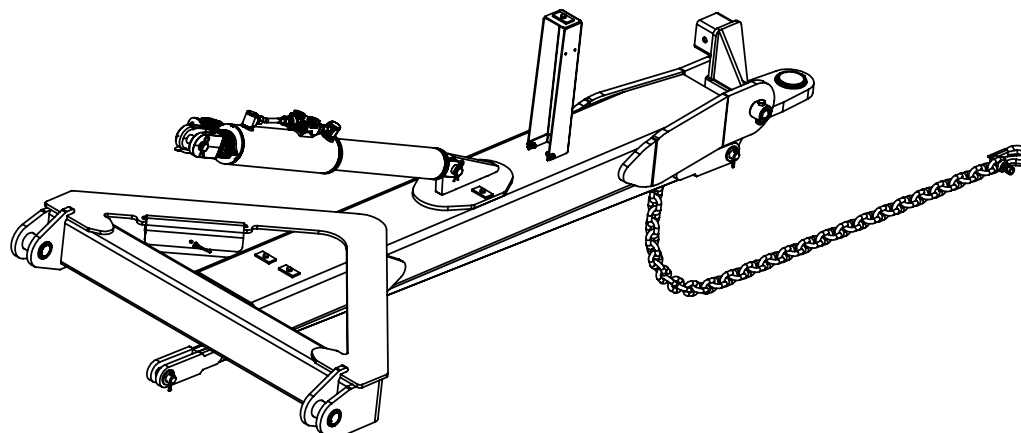


ITEM NO.	PART NUMBER	Revision	DESCRIPTION	QTY.
1	0113-MB 3530DU		35 ID x 30mm DU Bush	4
2	0172-D1400-0820	A	Criclip External 82mm	1
3	0211-1265		M12 x 65 grade 8.8 ZP Bolt	2
4	0211-820		M8 x 20 grade 8.8 ZP Bolt	3
5	0221-NYL12		Nyloc Nut M12	2
6	0221-NYL8		Nyloc Nut M8	3
7	0231-F24		Washer Flat M24	2
8	0261-PINC650		Cotter Pin M6 x 50mm	2
9	0311-412EXT	A-1	4" Bore 12" Stroke 1.75" Rod Extended Hydraulic Cylinder	1
10	0511-PINLOOPSQ863	A	Square Loop Pin M8 x 63	1
11	0800-212.1	B	Cylinder Safety Stop	1
12	0801-10-06	A	Tow Hitch Pivot Pin	1
13	0801-KE0307-1	B-0	Clevis Pin 25mm x 75mm	2
14	0801-KE-0905-1-B	A	Hardened Tow Hitch Bush 2 1/4"	1
15	0810-09	C-0	0801-93	1
16	0810-16	B-2	Safety Chain Assembly	1
17	1610-08	F-0	Drawbar	1
18	1610-22	B-1	Parallel Arm	1
19	1610-370	A-0	Drawbar Post Assy	1

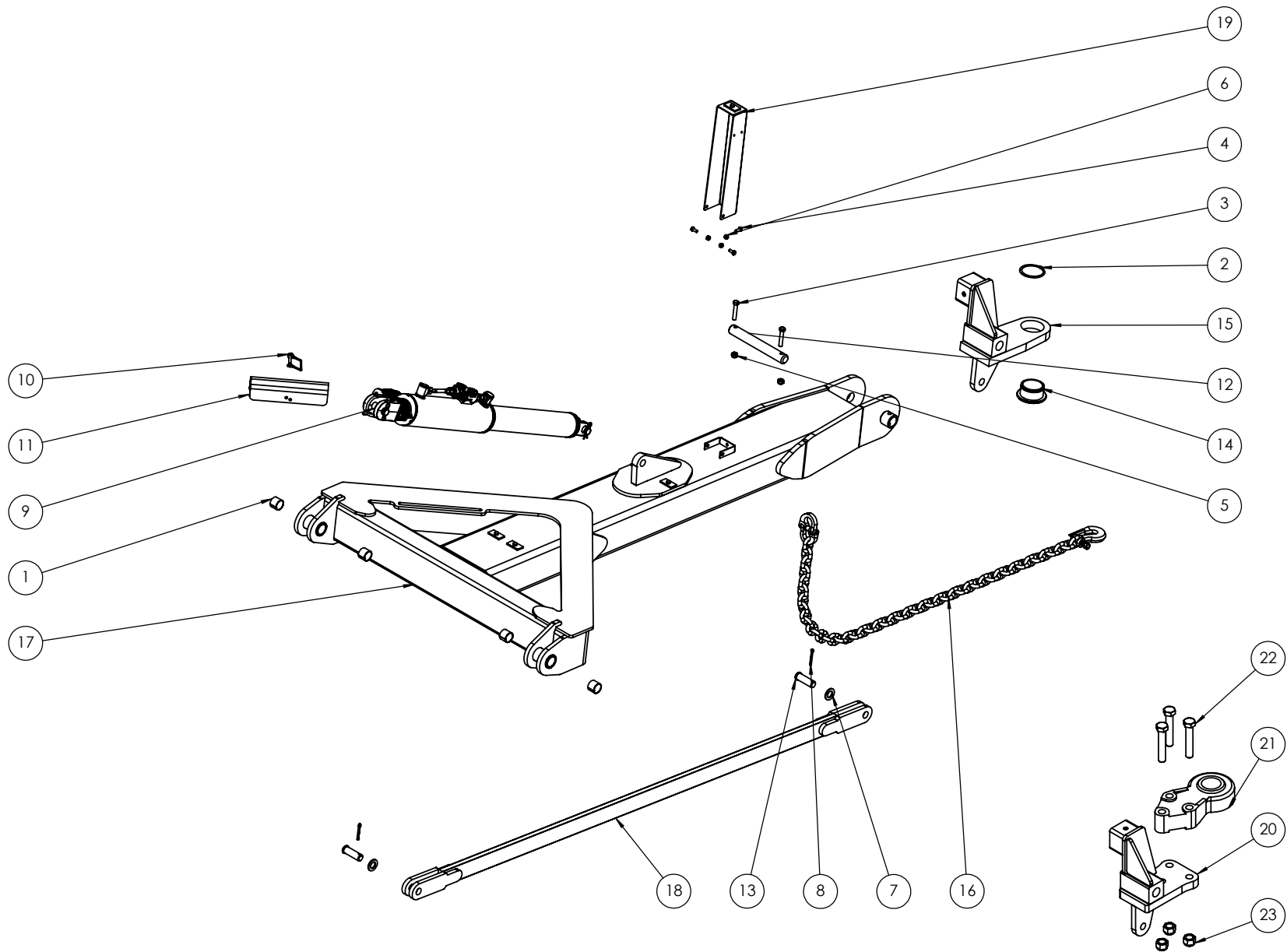


## USA ONLY PARTS

ITEM NO.	PART NUMBER	Revision	DESCRIPTION	QTY.
20	0810-09-BP	A-0	Tow Hitch For Bull Pull Swivel Hitch	1
21	0801-BPF-CAT-4JDF-2	A-0	Bull Pull Swivel Hitch CAT 4 wt 1-1/2" Insert	1
22	0213-1 51-2		1" UNF x 5 1/2" Grade 8.8 ZP Bolt	3
23	0223-NYL1		Nyloc Nut 1" UNF	3



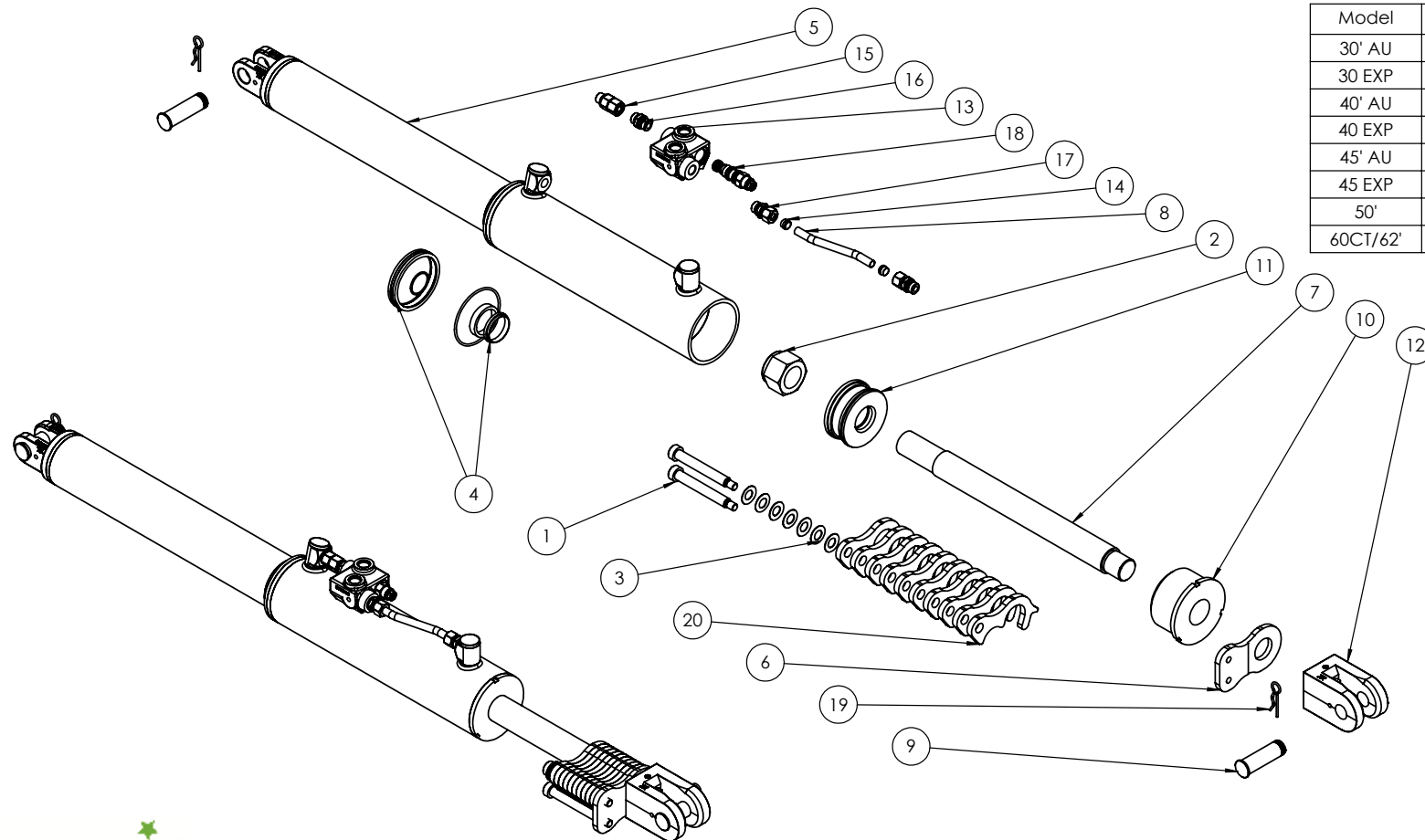
Part Number <b>1610-08A</b>	Description <b>Drawbar Assembly</b>	For Machines Built:	Revision <b>F-0</b>
--------------------------------	----------------------------------------	---------------------	------------------------



Part Number	Description	For Machines Built:	Revision
<b>1610-08A</b>	<b>Drawbar Assembly</b>		<b>F-0</b>

ITEM NO.	PART NUMBER	Revision	DESCRIPTION	QTY.	ITEM NO.	PART NUMBER	Revision	DESCRIPTION	QTY.
1	0211-12110SHSCREW	A	Shoulder Screw M12 x 16 x 110	2	11	0313-NP4	A-0	Hydraulic Cylinder Piston 4"	1
2	0223-NYL11-2		Nyloc Nut 1 1/2" UNF	1	12	0313-NRC1X1 1-2	A-0	Hydraulic Cylinder Rod Clevis 1" Pin 1 1/2" Thread	1
3	0231-SPRINGCUP	A	Compression Cup Washer	7	13	0313-SCVB	A-0	Single Counterbalance Valve Body	1
4	0312-N4	A-0	Nordon 4" Cylinder Seal Kit	1	14	0323-D12LLX		Tube Sealing Ring	2
5	0313-412EXT-B	A-0	4" Bore x 12" Stroke Extended Cylinder Barrel	1	15	0323-EGE12SRED		Flareless Swivel BSPP Male Adaptor	1
6	0313-412EXT-HAMP	A-0	0313-412EXT Height Adjustor Mount Plate	1	16	0323-GE12SRED		24 Flareless BSPP Male Adaptor	1
7	0313-412EXT-R	A-0	Rod For 4" x 12" Extended Hydraulic Cylinder	1	17	0323-GE12SRED		24 Flareless BSPP Male Adaptor	2
8	0313-412EXT-TUBE	A-0	0311-412EXT Retract Port Tube	1	18	0341-CBCA-LHN		60 L/min Counterbalance valve	1
9	0313-NCP1X75	A-0	Hydraulic Cylinder Pin 1" x 75mm	2	19	0511-RCLIP3		R Clip 3mm	2
10	0313-NG175X4	A-0	Cylinder Gland 1.75" Rod x 4" Barrel	1	20	0800-278	A	Cylinder Depth Stop Plate	10

**Note: Replaces Cylinder 0311-6357**



Model	Qty
30' AU	0
30 EXP	1
40' AU	0
40 EXP	1
45' AU	0
45 EXP	1
50'	1
60CT/62'	1

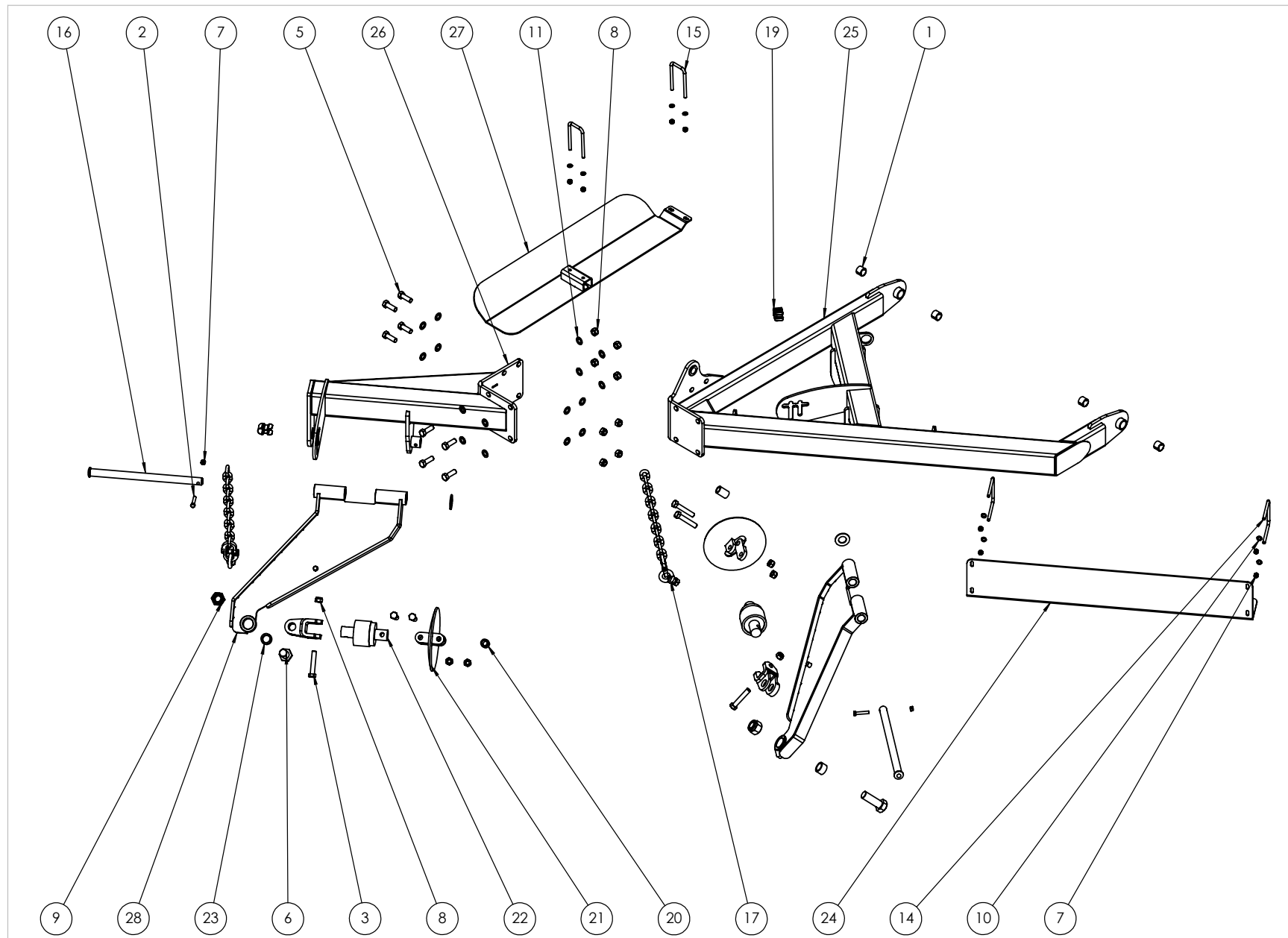


Part Number  
**0311-412EXT**

Description  
4" Bore 12" Stroke 1.75" Rod Extended Hydraulic Cylinder

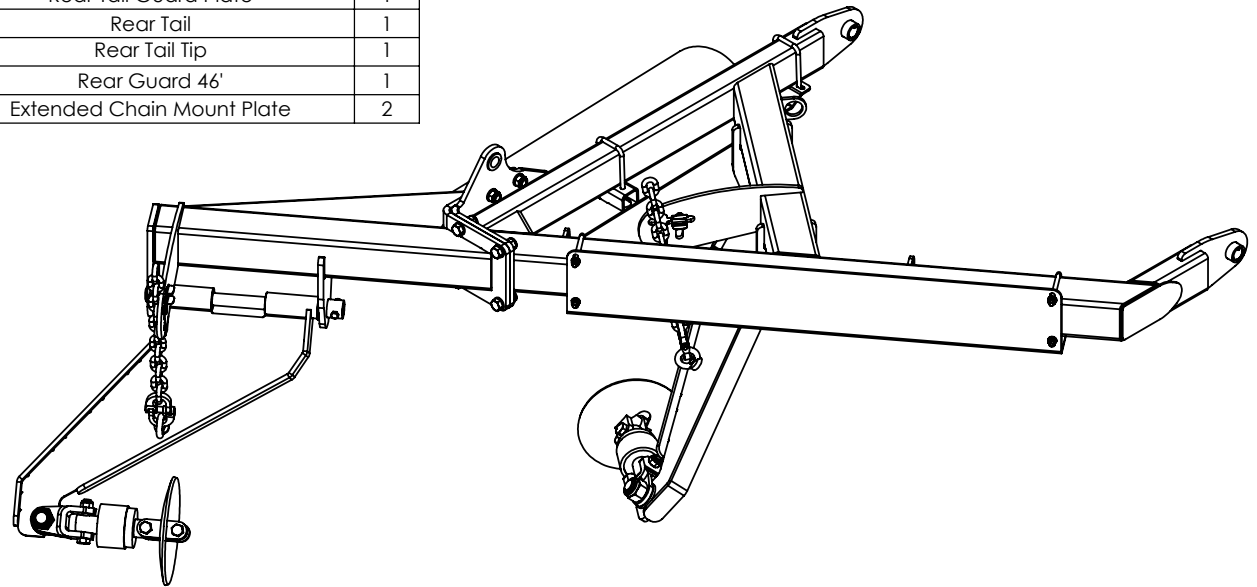
For Machines Built:

Revision  
A-1



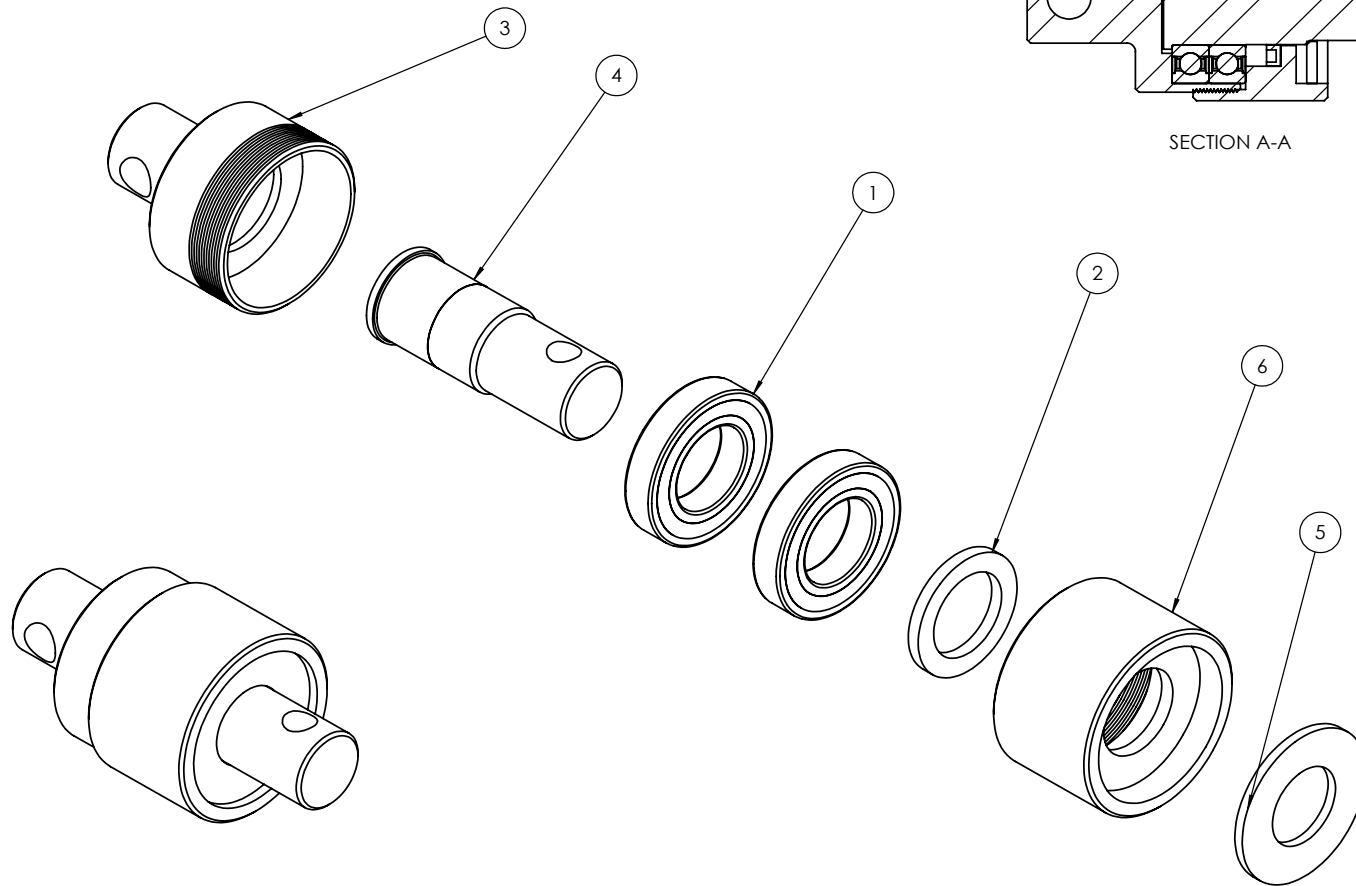
Part Number	Description	For Machines Built:	Revision
<b>1610-10SA</b>	<b>Rear Tail Assembly</b>		<b>B-0</b>

ITEM NO.	PART NUMBER	Revision	DESCRIPTION	QTY.
1	0113-MB 3530DX		35 ID x 30mm DX Bush	4
2	0211-1265		M12 x 65 grade 8.8 ZP Bolt	2
3	0211-20110 ST	A	M20 x 110 grade 10.9 ZP Short Thread Bolt	6
4	0211-2040		M20x 40mm 8.8 Bolt	2
5	0211-2060	A	M20 x 60 grade 8.8 ZP Bolt	8
6	0211-36105		M36 x 105 grade 8.8 zp Bolt	2
7	0221-NYL12		Nyloc Nut M12	10
8	0221-NYL20		Nyloc Nut M20	14
9	0221-NYL36		Nyloc Nut M36	2
10	0231-F12		Washer Flat M12	8
11	0231-F20		Washer Flat M20	16
12	0231-S20		Washer Spring M20	2
13	0232-HT13-8		Washer High Tensile 1 3/8"	2
14	0271-12155127	A-0	U-Bolt M12 x 155 Deep x 127 Wide	2
15	0271-1215779U	A-0	U-Bolt M12 x 157 Deep x 79 Wide	2
16	0801-10-51	A	Chain Mount Pivot Pin	2
17	0801-20MCA	C-0	Height Adjusting Chain Assembly 13 Link	2
18	0801-FC21	A-2	Forged Clevis 21mm Bolt Hole	2
19	0801-KE014	B	Height Adjustor Retaining Clip	2
20	0801-PCDCS55	A	Tie Plate Bush	2
21	0802-DCTP-20	A	Disc Chain Tie Plate Link 20mm	2
22	0802-PCHB55	A	20mm Bolt Swivel Unit	2
23	1501-365033-SS	B-0	Stainless Steel Wear Bush	2
24	1600-213	A-0	Rear Tail Guard Plate	1
25	1610-10S	B-0	Rear Tail	1
26	1610-10SE	C-0	Rear Tail Tip	1
27	1610-187	A-0	Rear Guard 46'	1
28	1610-21	B-0	Extended Chain Mount Plate	2



Part Number <b>1610-10SA</b>	Description Rear Tail Assembly	For Machines Built:	Revision B-0
---------------------------------	-----------------------------------	---------------------	-----------------

ITEM NO.	PART NUMBER	Revision	DESCRIPTION	QTY.
1	0112-6211		Bearing 6211 2RS	2
2	0121-TC12616		TC12616 Seal 55mm x 80mm x 8mm	1
3	0801-PCHB55H	A	Housing to Suit PCHB55 Swivel	1
4	0801-PCHB55S	A-1	Shaft To Suit PCHB55 Swivel	1
5	0801-PCHB55WA	B-0	Washer To Suit PCHB55 Swivel	1
6	0801-PCHB55C	A	Cap To Suit PCHB55 Swivel	1

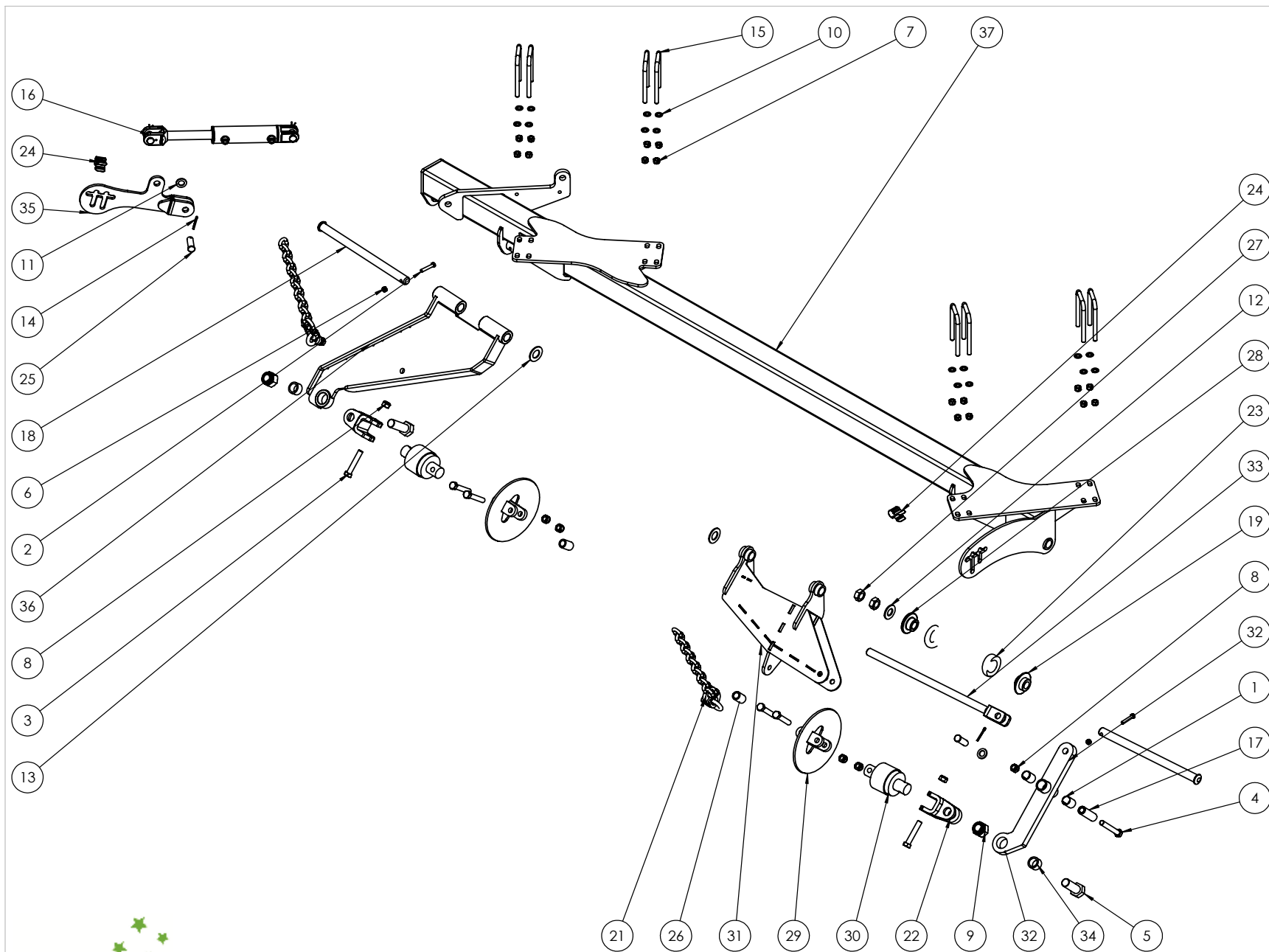


Part Number  
**0802-PCHB55**

Description  
**20mm Bolt Swivel Unit**

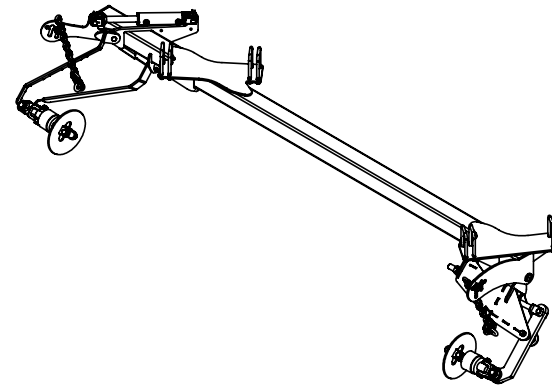
For Machines Built:  
2002-

Revision  
**A-1**



Part Number <b>1610-28-46A</b>	Description <b>46' Front Module Assembly</b>	For Machines Built:	Revision <b>A-0</b>
-----------------------------------	-------------------------------------------------	---------------------	------------------------

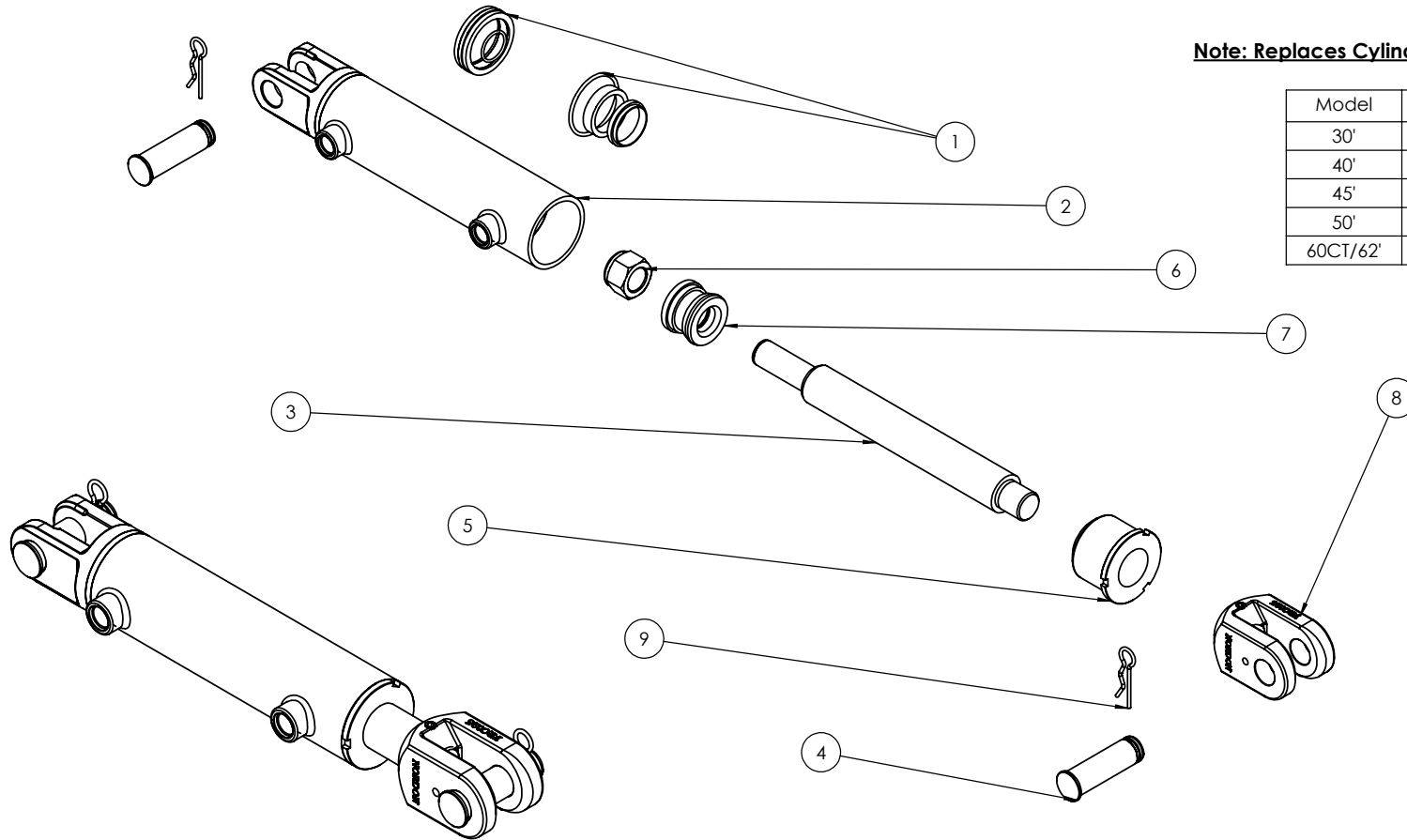
ITEM NO.	PART NUMBER	Revision	DESCRIPTION	QTY.
1	0113-MB 3550DU		35 ID x 50mm DU Bush	2
2	0211-1265		M12 x 65 grade 8.8 ZP Bolt	2
3	0211-20110 ST	A	M20 x 110 grade 10.9 ZP Short Thread Bolt	6
4	0211-20150	A	M20 x 150 grade 8.8 ZP Bolt	1
5	0211-36105		M36 x 105 grade 8.8 zp Bolt	2
6	0221-NYL12		Nyloc Nut M12	2
7	0221-NYL16		Nyloc Nut M16	16
8	0221-NYL20		Nyloc Nut M20	7
9	0221-NYL36		Nyloc Nut M36	2
10	0231-F16		Washer Flat M16	16
11	0231-F24		Washer Flat M24	2
12	0232-HT11-4		Washer High Tensile 1 1/4"	1
13	0232-HT13-8		Washer High Tensile 1 3/8"	2
14	0261-PINC550	A	Cotter Pin M5 x 50	2
15	0271-16185104	A-0	U-Bolt M16 x 185 Deep x 104 Wide	8
16	0311-256SP	A-0	2.5" Bore x 6" Stroke 1.5" Rod Side Port Cylinder	1
17	0801-10-110	B	Module Pivot Arm Bush	1
18	0801-10-51	A	Chain Mount Pivot Pin	2
19	0801-10-S2L	A	Rigid Spring Locator	1
20	0801-20MCA	C-0	Height Adjusting Chain Assembly 13 Link	1
21	0801-20MCA	C-0	Height Adjusting Chain Assembly 13 Link	1
22	0801-FC21	A-2	Forged Clevis 21mm Bolt Hole	2
23	0801-K2455350	A	Heavy Duty Coil Spring 24mm	1
24	0801-KE014	B	Height Adjustor Retaining Clip	2
25	0801-KE0307-1	B-0	Clevis Pin 25mm x 75mm	2
26	0801-PCDCS55	A	Tie Plate Bush	2
27	0801-PCHTA-N5	C-0	PCHTA Lock Nut	2
28	0801-PCHTA-SB	C-0	Steel Spring Retaining Bush	1
29	0802-DCTP-20	A	Disc Chain Tie Plate Link 20mm	2
30	0802-PCHB55	A	20mm Bolt Swivel Unit	2
31	0810-103R	B-0	Rear Module Tension Body	1
32	0810-104	A-3	Module Tension Arm No Clevis	1
33	0810-105	D-0	Module Tension Linkage	1
34	1501-365033-SS	B-0	Stainless Steel Wear Bush	2
35	1610-106	B-1	Long Module Lift Arm	1
36	1610-21	B-0	Extended Chain Mount Plate	1
37	1610-28-46	B-2	46' Front Module Frame	1



Part Number	Description	For Machines Built:	Revision
<b>1610-28-46A</b>	<b>46' Front Module Assembly</b>		<b>A-0</b>



ITEM NO.	PART NUMBER	Revision	DESCRIPTION	QTY.
1	0312-N25	A-0	Nordon 2.5" Cylinder Seal Kit	1
2	0313-256SP-B	A-0	2.5" x 6" Hydraulic Cylinder Barrel	1
3	0313-256SP-R	A-0	Rod For 2.5" x 6" Hydraulic Cylinder	1
4	0313-NCP1X75	A-0	Hydraulic Cylinder Pin 1" x 75mm	2
5	0313-NG15X25		Hydraulic Cylinder Gland 1.5" Rod x 2.5" Barrel	1
6	0313-NN1		Nordon 1" Cylinder Rod Nut	1
7	0313-NP25	A-0	Hydraulic Cylinder Piston 2 1/2"	1
8	0313-NRC1X1 1-8	A-0	Hydraulic Cylinder Rod Clevis 1" Pin 1 1/8" Thread	1
9	0511-RCLIP3		R Clip 3mm	2



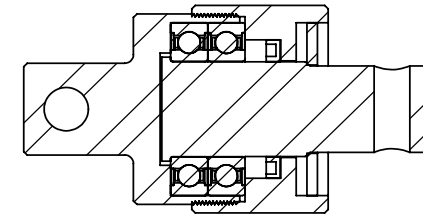
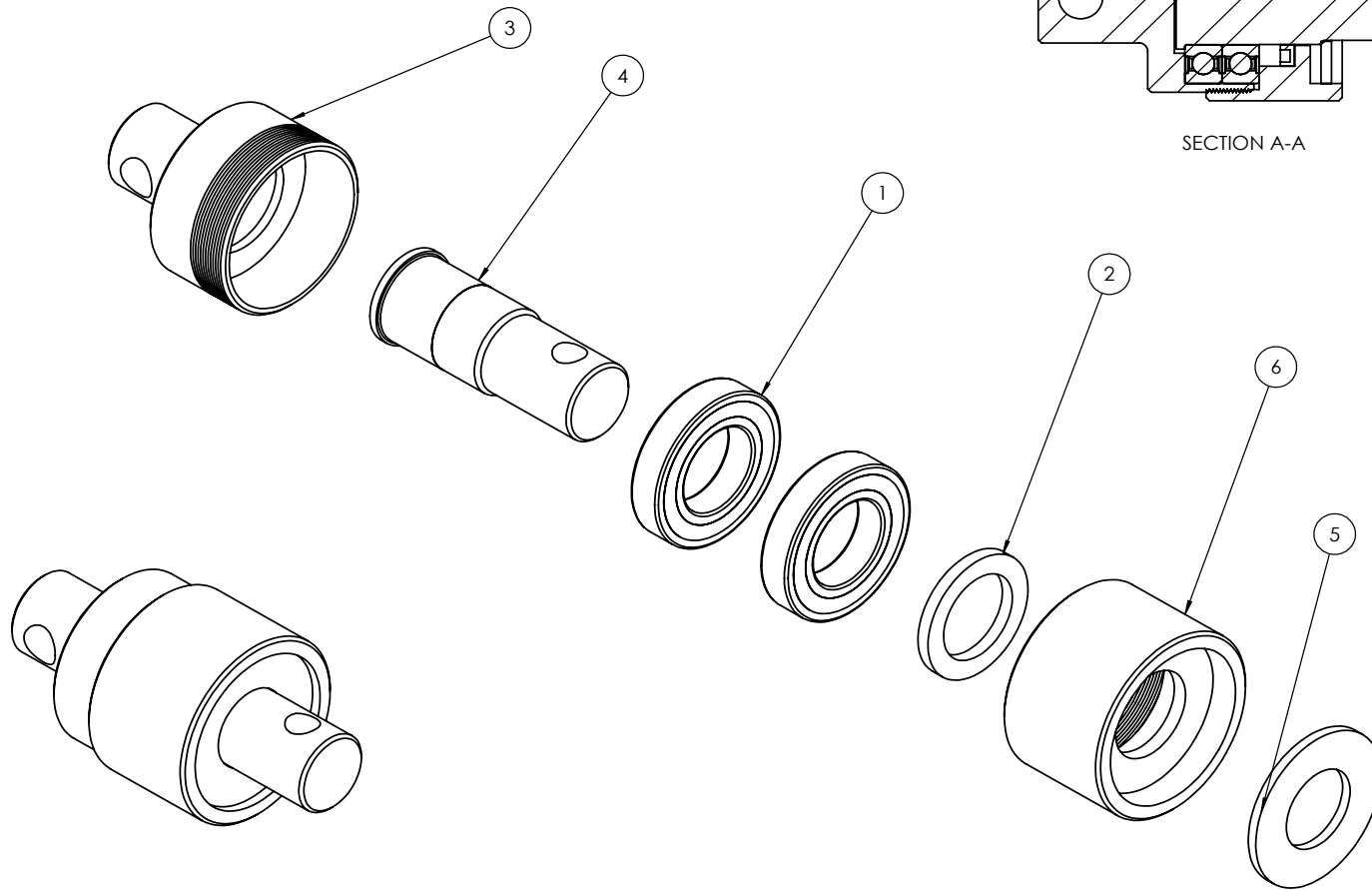
**Note: Replaces Cylinder 0311-5041**

Model	Qty
30'	3
40'	3
45'	3
50'	3
60CT/62'	3



Part Number <b>0311-256SP</b>	Description 2.5" Bore x 6" Stroke 1.5" Rod Side Port Cylinder	For Machines Built:	Revision A-0
----------------------------------	------------------------------------------------------------------	---------------------	-----------------

ITEM NO.	PART NUMBER	Revision	DESCRIPTION	QTY.
1	0112-6211		Bearing 6211 2RS	2
2	0121-TC12616		TC12616 Seal 55mm x 80mm x 8mm	1
3	0801-PCHB55H	A	Housing to Suit PCHB55 Swivel	1
4	0801-PCHB55S	A-1	Shaft To Suit PCHB55 Swivel	1
5	0801-PCHB55WA	B-0	Washer To Suit PCHB55 Swivel	1
6	0801-PCHB55C	A	Cap To Suit PCHB55 Swivel	1



SECTION A-A

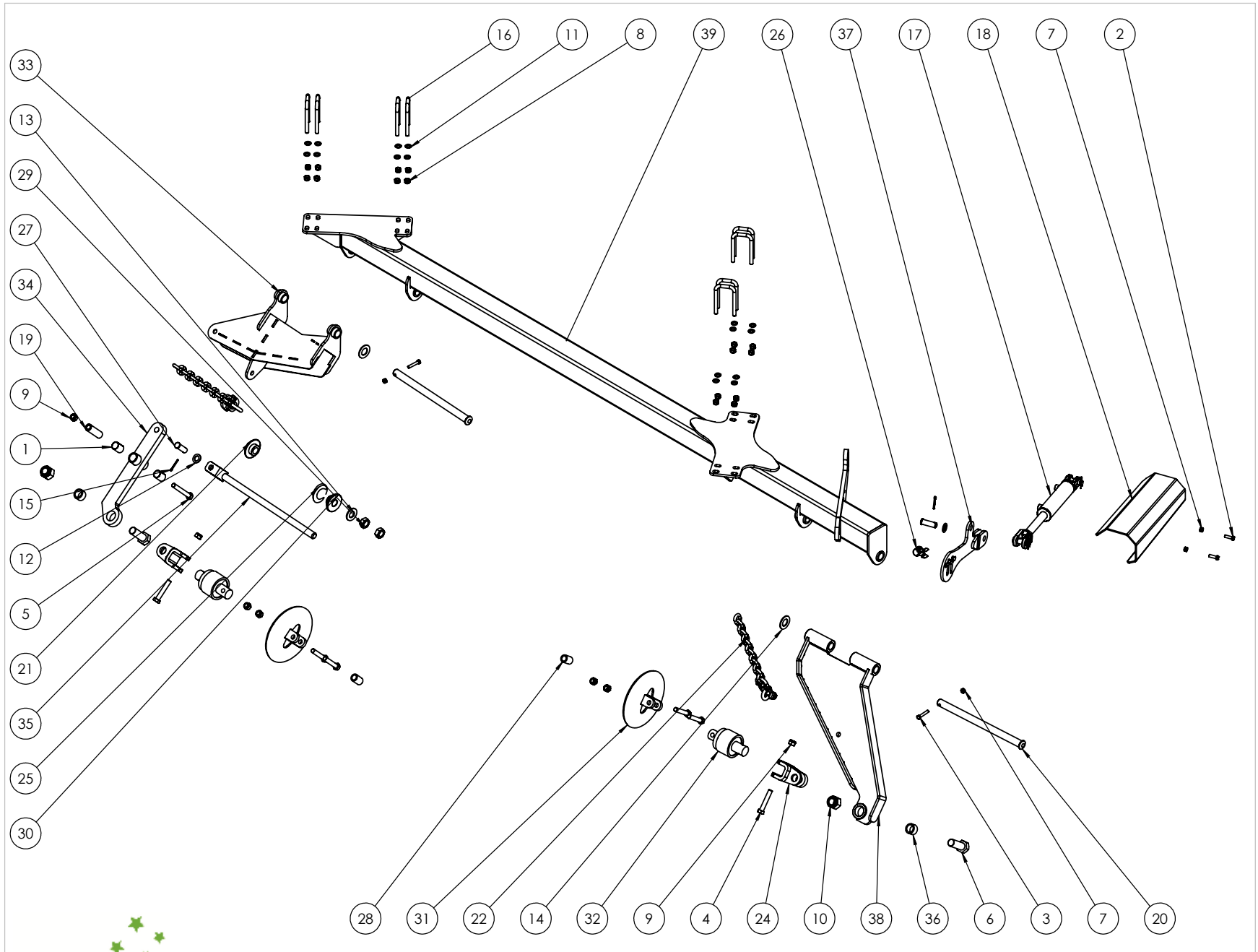


Part Number  
**0802-PCHB55**

Description  
**20mm Bolt Swivel Unit**

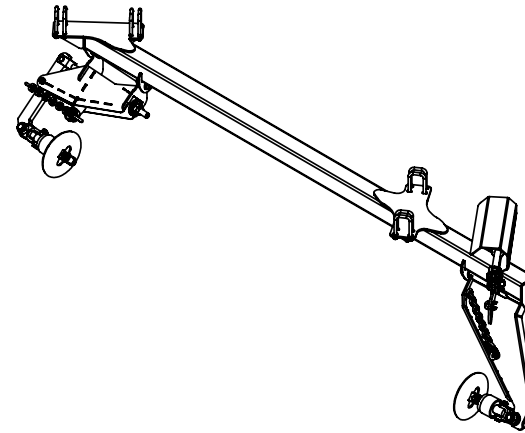
For Machines Built:  
2002-

Revision  
**A-1**



Part Number	Description	For Machines Built:	Revision
<b>1610-29-46A</b>	<b>46' Rear Module Assembly</b>		<b>A-0</b>

ITEM NO.	PART NUMBER	Revision	DESCRIPTION	QTY.
1	0113-MB 3550DU		35 ID x 50mm DU Bush	2
2	0211-1240		M12 x 40 grade 8.8 ZP Bolt	2
3	0211-1265		M12 x 65 grade 8.8 ZP Bolt	2
4	0211-20110 ST	A	M20 x 110 grade 10.9 ZP Short Thread Bolt	6
5	0211-20150	A	M20 x 150 grade 8.8 ZP Bolt	1
6	0211-36105		M36 x 105 grade 8.8 zp Bolt	2
7	0221-NYL12		Nyloc Nut M12	4
8	0221-NYL16		Nyloc Nut M16	16
9	0221-NYL20		Nyloc Nut M20	7
10	0221-NYL36		Nyloc Nut M36	2
11	0231-F16		Washer Flat M16	16
12	0231-F24		Washer Flat M24	2
13	0232-HT11-4		Washer High Tensile 1 1/4"	1
14	0232-HT13-8		Washer High Tensile 1 3/8"	2
15	0261-PINC550	A	Cotter Pin M5 x 50	2
16	0271-1616077	A-0	U-Bolt M16 x 160 Deep X 77 Wide	8
17	0311-256SP	A-0	2.5" Bore x 6" Stroke 1.5" Rod Side Port Cylinder	1
18	0800-167.3	C-0	Module Cylinder Guard	1
19	0801-10-110	B	Module Pivot Arm Bush	1
20	0801-10-51	A	Chain Mount Pivot Pin	2
21	0801-10-S2L	A	Rigid Spring Locator	1
22	0801-20MCA	C-0	Height Adjusting Chain Assembly 13 Link	1
23	0801-20MCA	C-0	Height Adjusting Chain Assembly 13 Link	1
24	0801-FC21	A-2	Forged Clevis 21mm Bolt Hole	2
25	0801-K2455350	A	Heavy Duty Coil Spring 24mm	1
26	0801-KE014	B	Height Adjustor Retaining Clip	1
27	0801-KE0307-1	B-0	Clevis Pin 25mm x 75mm	2
28	0801-PCDCS55	A	Tie Plate Bush	2
29	0801-PCHTA-N5	C-0	PCHTA Lock Nut	2
30	0801-PCHTA-SB	C-0	Steel Spring Retaining Bush	1
31	0802-DCTP-20	A	Disc Chain Tie Plate Link 20mm	2
32	0802-PCHB55	A	20mm Bolt Swivel Unit	2
33	0810-103F	E-0	Front Module Tension Body	1
34	0810-104	A-3	Module Tension Arm No Clevis	1
35	0810-105	D-0	Module Tension Linkage	1
36	1501-365033-SS	B-0	Stainless Steel Wear Bush	2
37	1610-106	B-1	Long Module Lift Arm	1
38	1610-21	B-0	Extended Chain Mount Plate	1
39	1610-29-46	B-2	46' Rear Module Frame	1



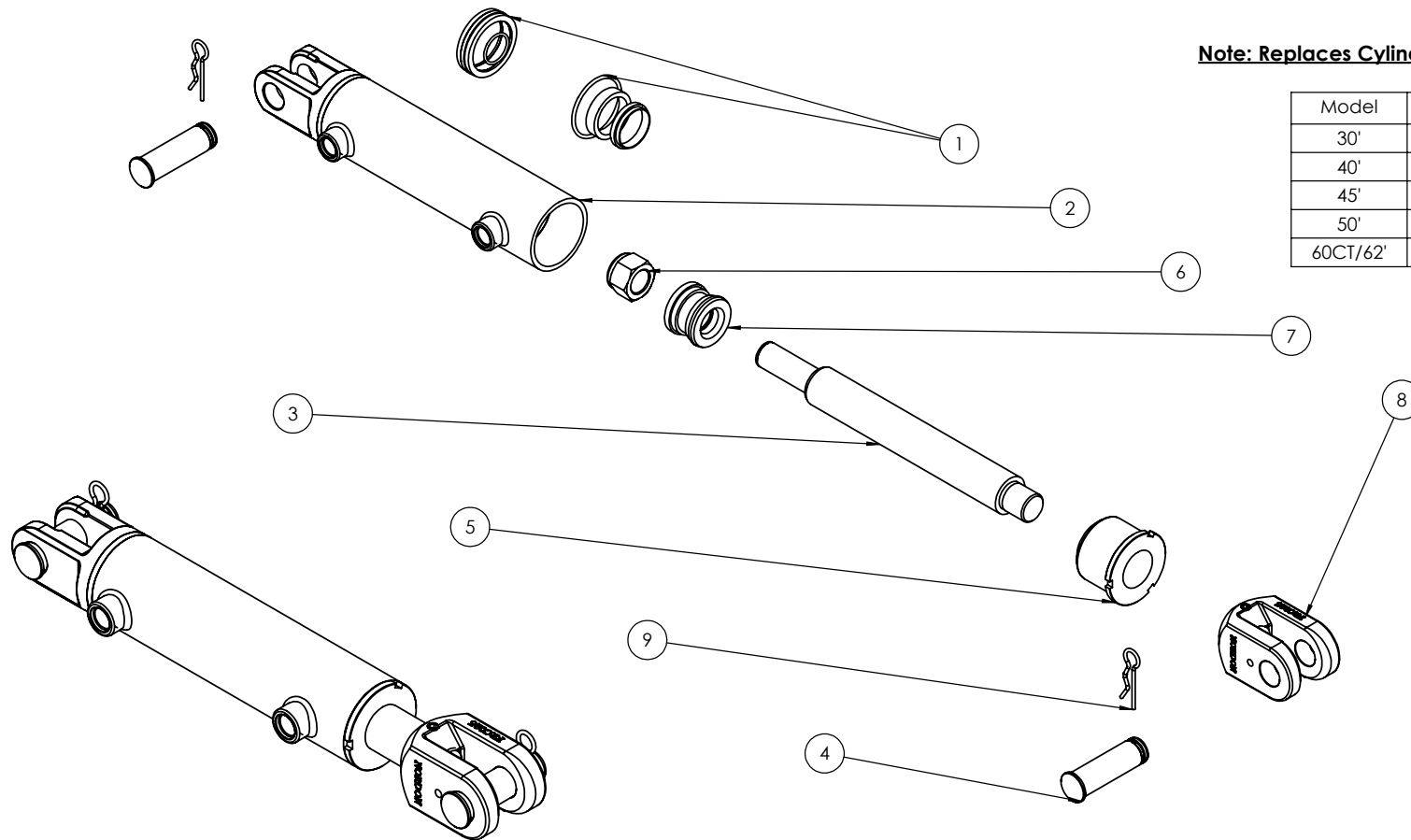
Part Number  
**1610-29-46A**

Description  
**46' Rear Module Assembly**

For Machines Built:

Revision  
**A-0**

ITEM NO.	PART NUMBER	Revision	DESCRIPTION	QTY.
1	0312-N25	A-0	Nordon 2.5" Cylinder Seal Kit	1
2	0313-256SP-B	A-0	2.5" x 6" Hydraulic Cylinder Barrel	1
3	0313-256SP-R	A-0	Rod For 2.5" x 6" Hydraulic Cylinder	1
4	0313-NCP1X75	A-0	Hydraulic Cylinder Pin 1" x 75mm	2
5	0313-NG15X25		Hydraulic Cylinder Gland 1.5" Rod x 2.5" Barrel	1
6	0313-NN1		Nordon 1" Cylinder Rod Nut	1
7	0313-NP25	A-0	Hydraulic Cylinder Piston 2 1/2"	1
8	0313-NRC1X1 1-8	A-0	Hydraulic Cylinder Rod Clevis 1" Pin 1 1/8" Thread	1
9	0511-RCLIP3		R Clip 3mm	2



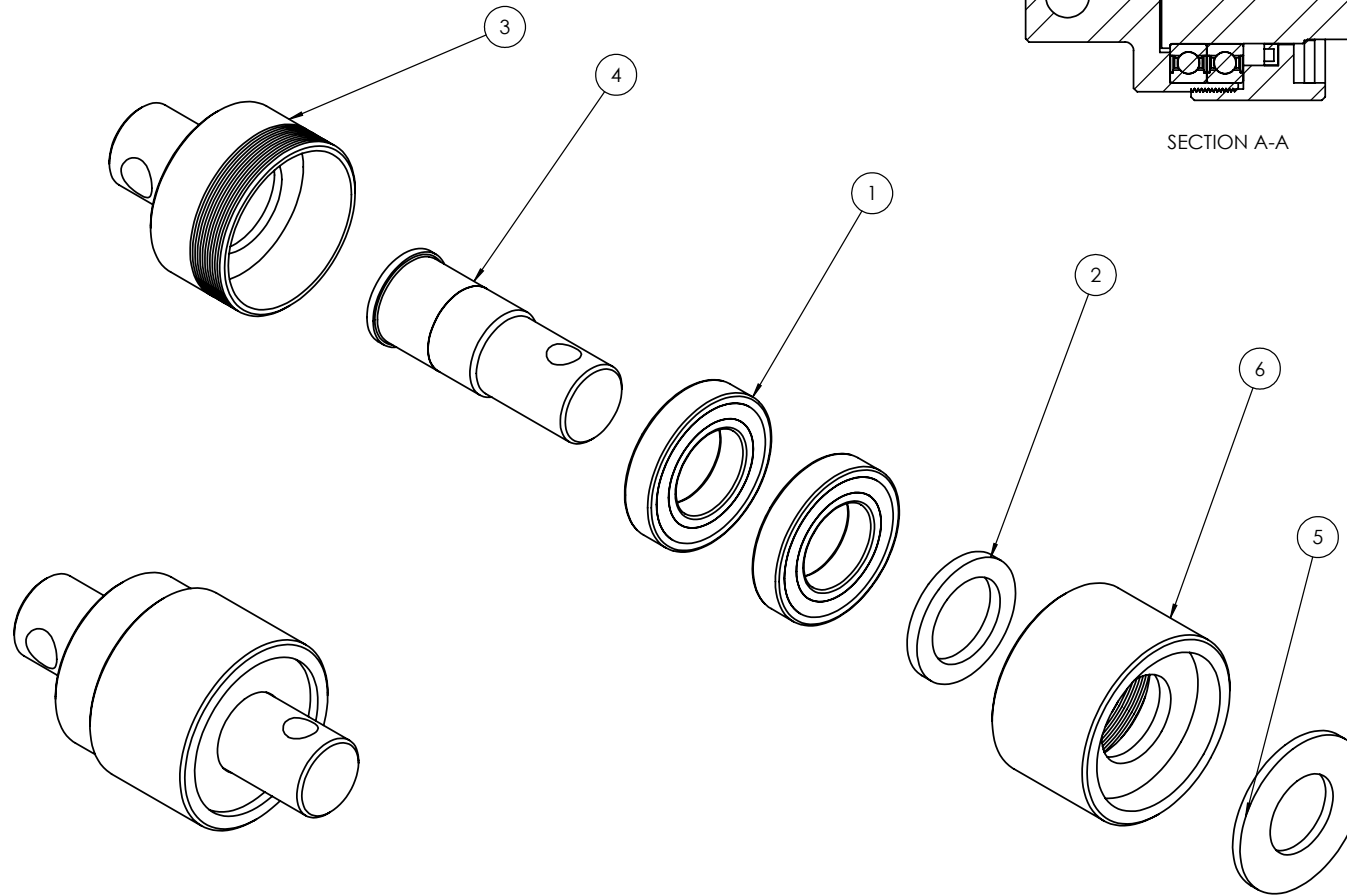
**Note: Replaces Cylinder 0311-5041**

Model	Qty
30'	3
40'	3
45'	3
50'	3
60CT/62'	3

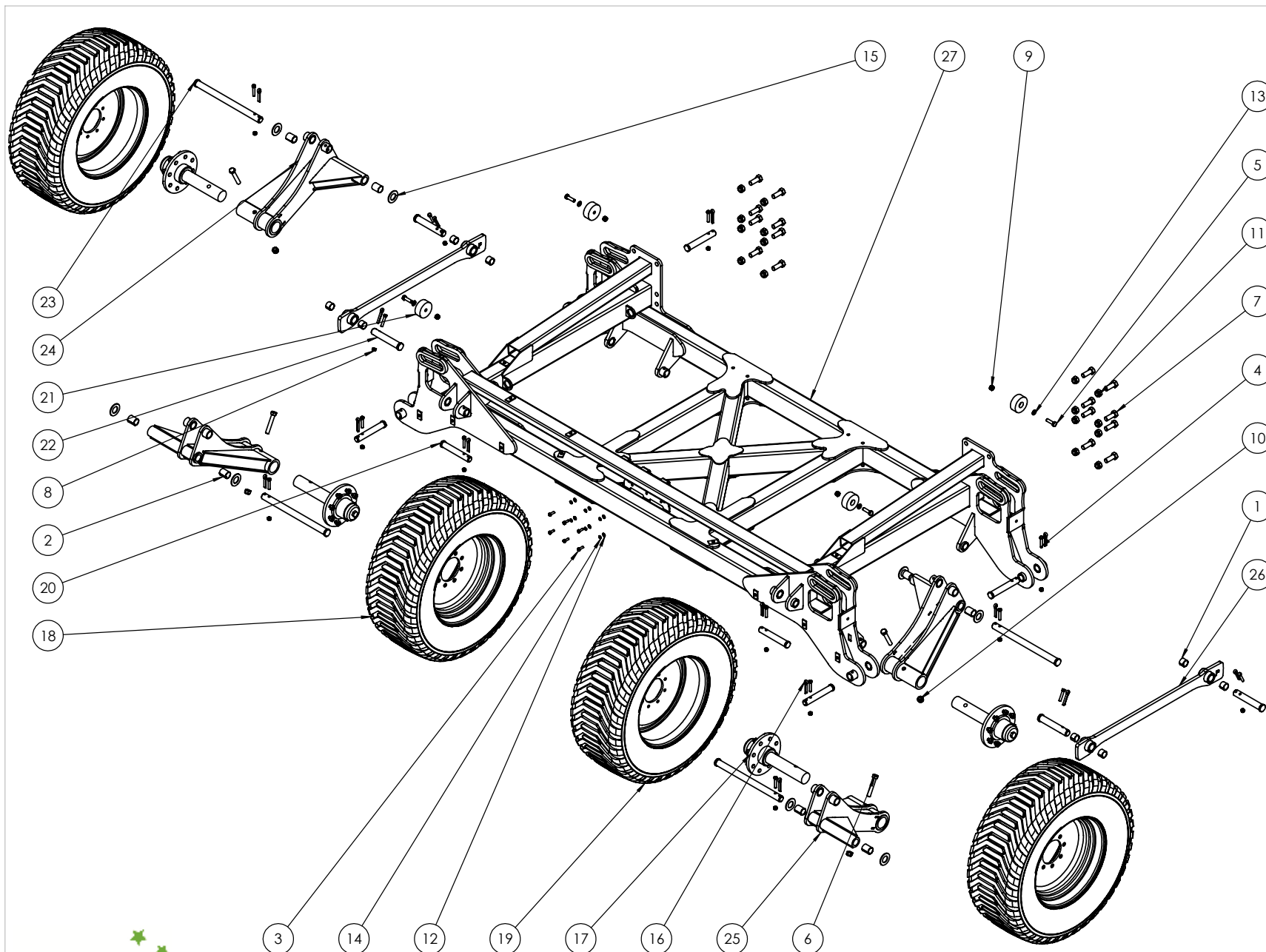


Part Number <b>0311-256SP</b>	Description 2.5" Bore x 6" Stroke 1.5" Rod Side Port Cylinder	For Machines Built:	Revision A-0
----------------------------------	------------------------------------------------------------------	---------------------	-----------------

ITEM NO.	PART NUMBER	Revision	DESCRIPTION	QTY.
1	0112-6211		Bearing 6211 2RS	2
2	0121-TC12616		TC12616 Seal 55mm x 80mm x 8mm	1
3	0801-PCHB55H	A	Housing to Suit PCHB55 Swivel	1
4	0801-PCHB55S	A-1	Shaft To Suit PCHB55 Swivel	1
5	0801-PCHB55WA	B-0	Washer To Suit PCHB55 Swivel	1
6	0801-PCHB55C	A	Cap To Suit PCHB55 Swivel	1

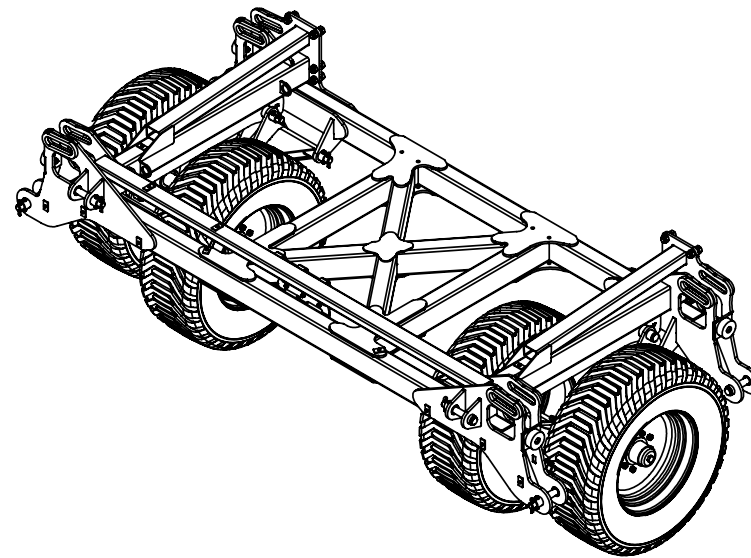


Part Number	Description	For Machines Built:	Revision
<b>0802-PCHB55</b>	20mm Bolt Swivel Unit	2002-	A-1



Part Number	Description	For Machines Built:	Revision
<b>1646-01A</b>	46' Centre Frame Assembly		F-0

ITEM NO.	PART NUMBER	Revision	DESCRIPTION	QTY.
1	0113-MB 24DU20		1-1/2 ID x 1-1/4mm DU Bush	8
2	0113-MB 24DU32		1-1/2 ID x 2" DU Bush	8
3	0211-1030	A	M10 x 30 grade 8.8 ZP Bolt	6
4	0211-1265		M12 x 65 grade 8.8 ZP Bolt	14
5	0211-1655	A	M16 x 55 grade 8.8 zp Bolt	4
6	0211-20120	A	M20 x 120 grade 8.8 ZP Bolt	4
7	0211-2465		M24 x 65 grade 8.8 zp Bolt	16
8	0221-NYL12		Nyloc Nut M12	14
9	0221-NYL16		Nyloc Nut M16	4
10	0221-NYL20		Nyloc Nut M20	4
11	0221-NYL24		Nyloc Nut M24	16
12	0231-F10		Washer Flat M10	6
13	0231-F16		Washer Flat M16	4
14	0231-S10		Washer Spring M10	6
15	0232-HT11-2		Washer High Tensile 1 3/8"	8
16	0261-PINC1363		Cotter Pin M13 x 63	14
17	0733-SH27596880	A	2.75"R 6 Tonne 8 on 8" PCH Hub and Stub Complete	4
18	0751-400-60-22.5TR		400/60-22.5 Tyre on 8 on 8" PCD Rim	2
19	0751-400-60-22.5TR		400/60-22.5 Tyre on 8 on 8" PCD Rim	2
20	0801-10-08-235	A-1	PCH Wing Pivot Pin	6
21	1201-12	A	Wing Folding Buffer	4
22	1601-P38-220	A-0	Walking Axle Linkage Pivot Pin	4
23	1601-P38-525	A-0	Walking Axle Pivot Pin	4
24	1610-30	A-1	LH Walking Axle Arm	2
25	1610-31	A-1	RH Walking Axle Arm	2
26	1610-33	C-0	Walking Axle Linkage	2
27	1646-01	F-1	46' Centre Frame	1



Part Number  
**1646-01A**

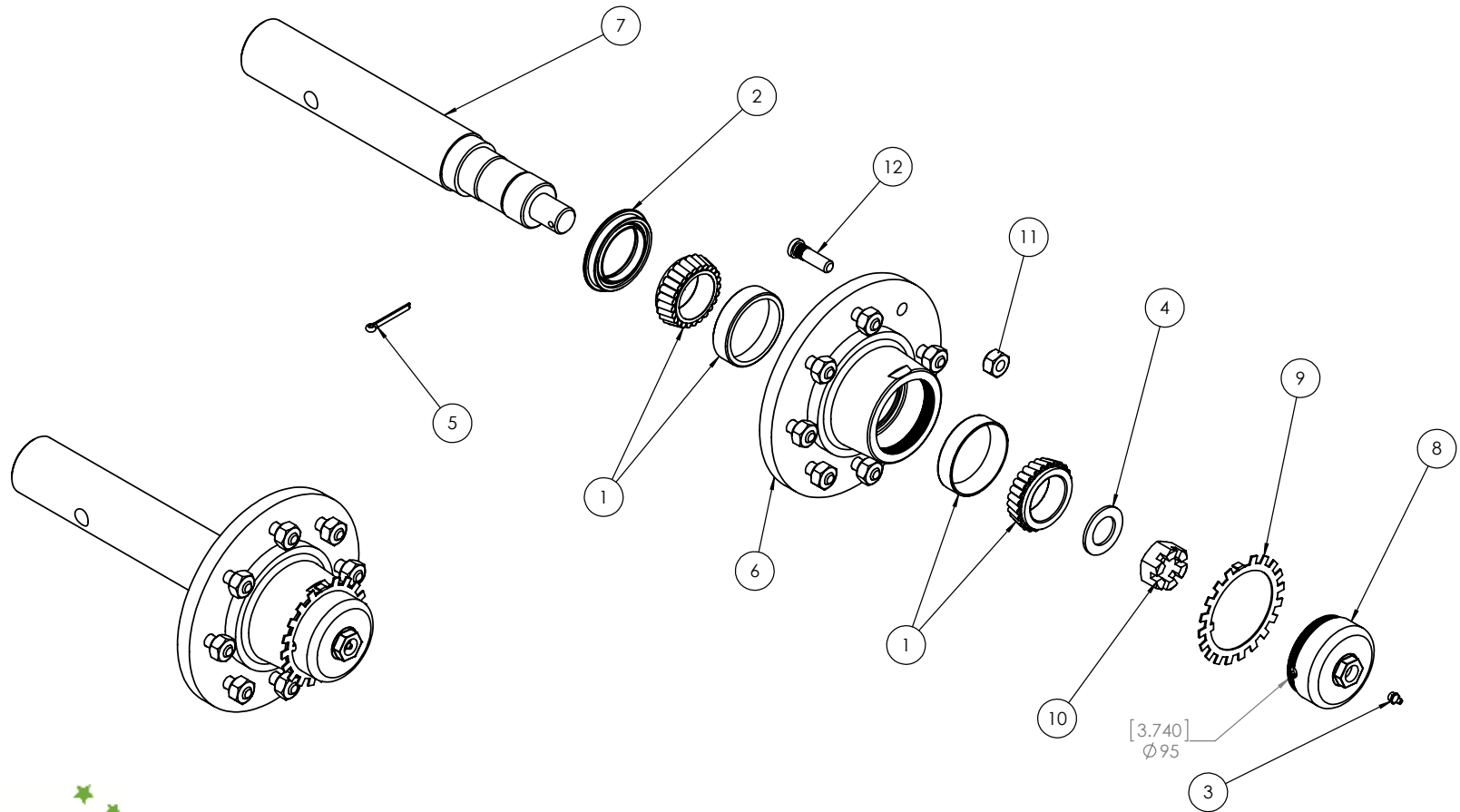
Description  
**46' Centre Frame Assembly**

For Machines Built:

Revision  
**F-0**



ITEM NO.	PART NUMBER	Revision	DESCRIPTION	QTY.
1	0111-33011		Bearing 33011 (Cup & Cone)	2
2	0121-AP7M2 906510	A	AP7 Seal 90 x 65 x 10mm	1
3	0181-GN1-8	A	Grease Nipple 1/8" BSP	1
4	0232-F11-4		Washer Flat 1 1/4"	1
5	0261-PINC650		Cotter Pin M6 x 50mm	1
6	0731-H96880	A	6T 8 on 8" PCD (Hub only)	1
7	0732-275R6TKE	A	6T 2.75"R x 460mm Stub	1
8	0741-D-CAP6T	A	95mm Cast Iron Screw in Cap	1
9	0741-LW6T	A	Lock Washer 6T Hub	1
10	0741-NCAST114	A	Castle Nut 1 1/4" x 12	1
11	0741-NW9-16	A	Wheel Nut 9/16" 90 Deg	8
12	0741-WS9-16	A	Wheel Stud 9/16" UNF	8



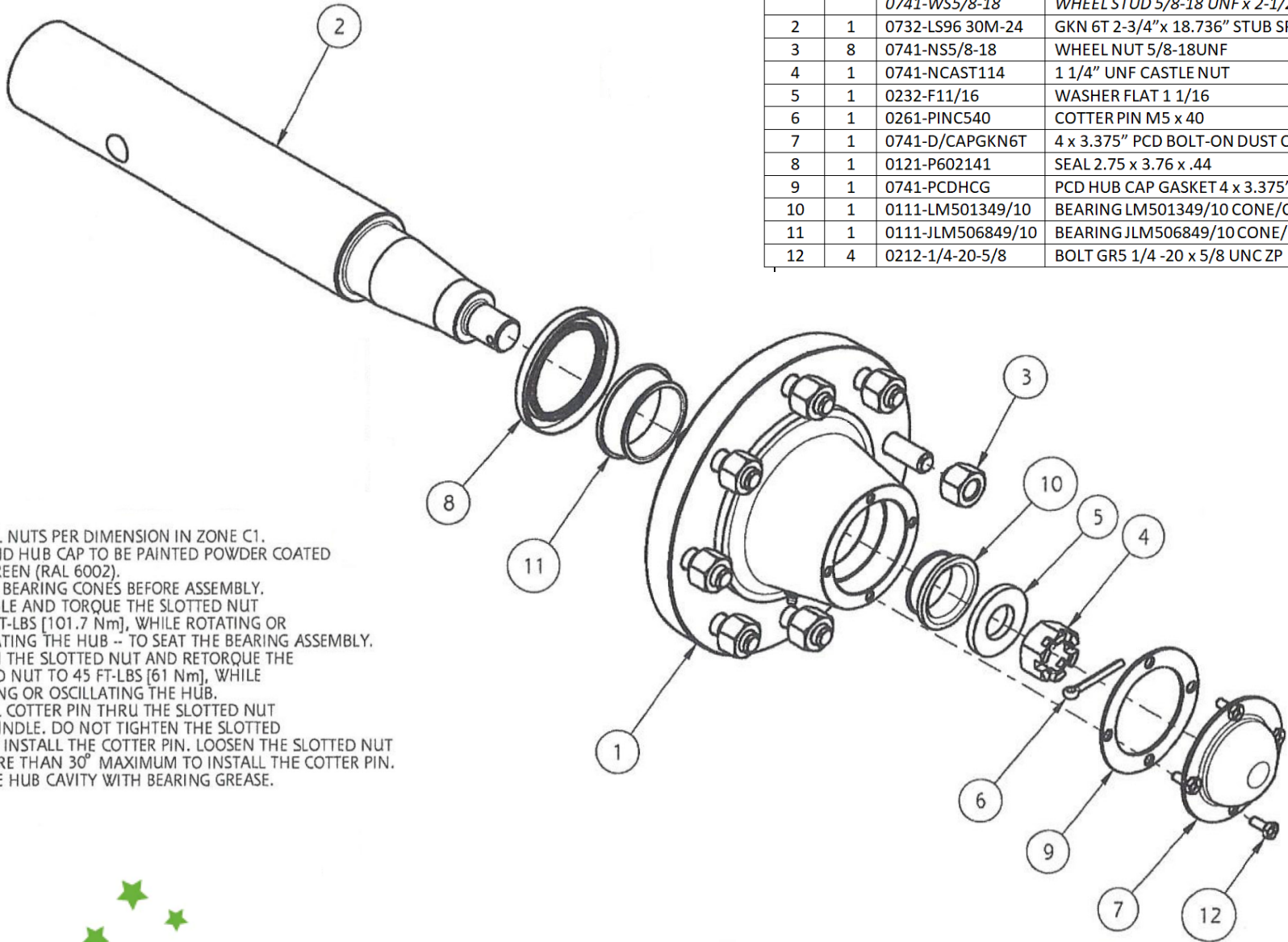
Part Number  
**0733-SH27596880**

Description  
2.75"R 6 Tonne 8 on 8" PCD Hub & Stub Complete

For Machines Built:  
65'(112043-65)-

Revision  
**A**

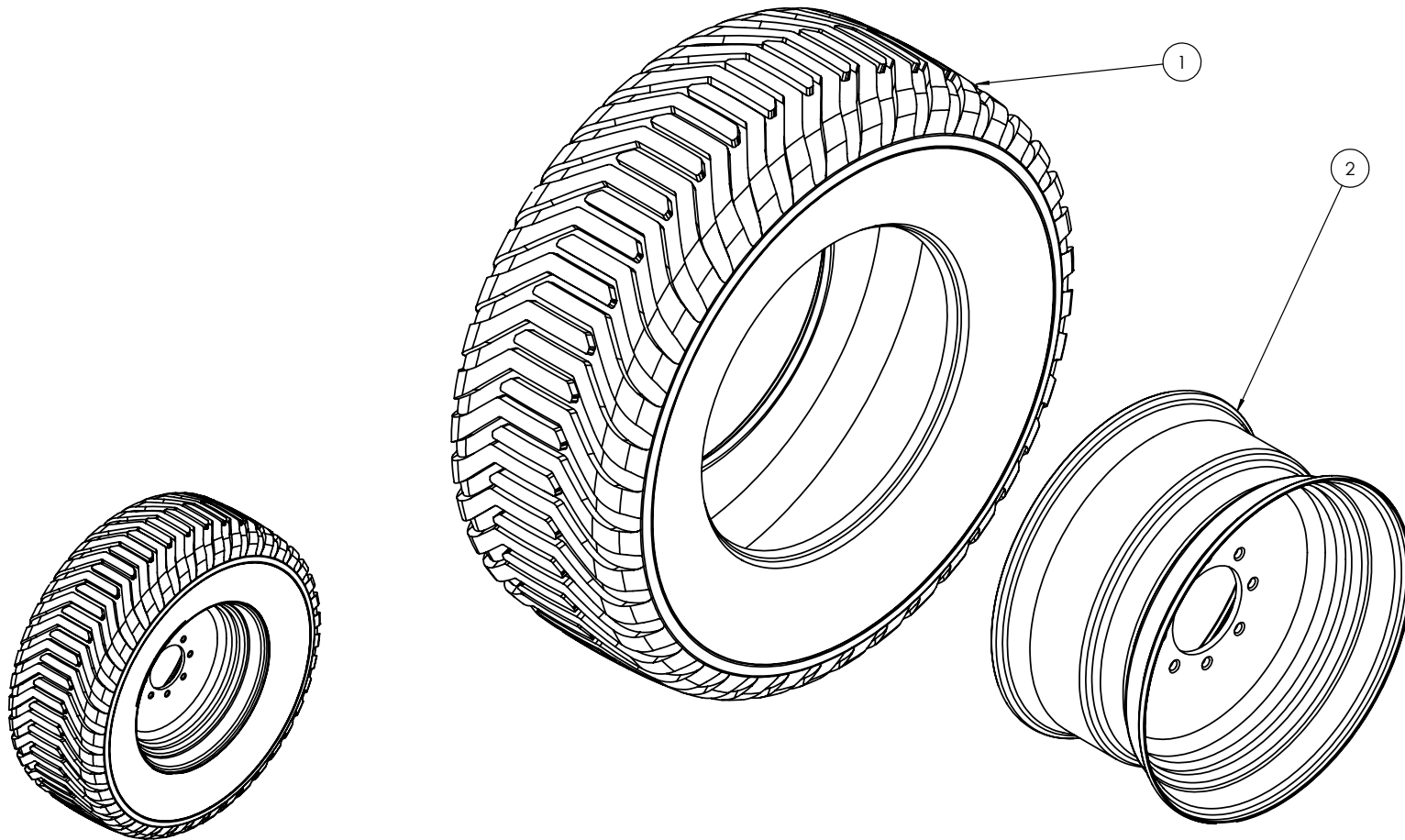
0733-LG6080067			
POS	QTY	PART NO.	DESCRIPTION
1	1	0731-H6080067	GKN 6T 8 ON 8" HUB ONLY
		0741-WS5/8-18	WHEEL STUD 5/8-18 UNF x 2-1/2
2	1	0732-LS96 30M-24	GKN 6T 2-3/4" x 18.736" STUB SPINDLE
3	8	0741-NS5/8-18	WHEEL NUT 5/8-18UNF
4	1	0741-NCAST114	1 1/4" UNF CASTLE NUT
5	1	0232-F11/16	WASHER FLAT 1 1/16
6	1	0261-PINC540	COTTER PIN M5 x 40
7	1	0741-D/CAPGKN6T	4 x 3.375" PCD BOLT-ON DUST CAP
8	1	0121-P602141	SEAL 2.75 x 3.76 x .44
9	1	0741-PCDHCG	PCD HUB CAP GASKET 4 x 3.375"
10	1	0111-LM501349/10	BEARING LM501349/10 CONE/CUP
11	1	0111-JLM506849/10	BEARING JLM506849/10 CONE/CUP
12	4	0212-1/4-20-5/8	BOLT GR5 1/4 -20 x 5/8 UNC ZP



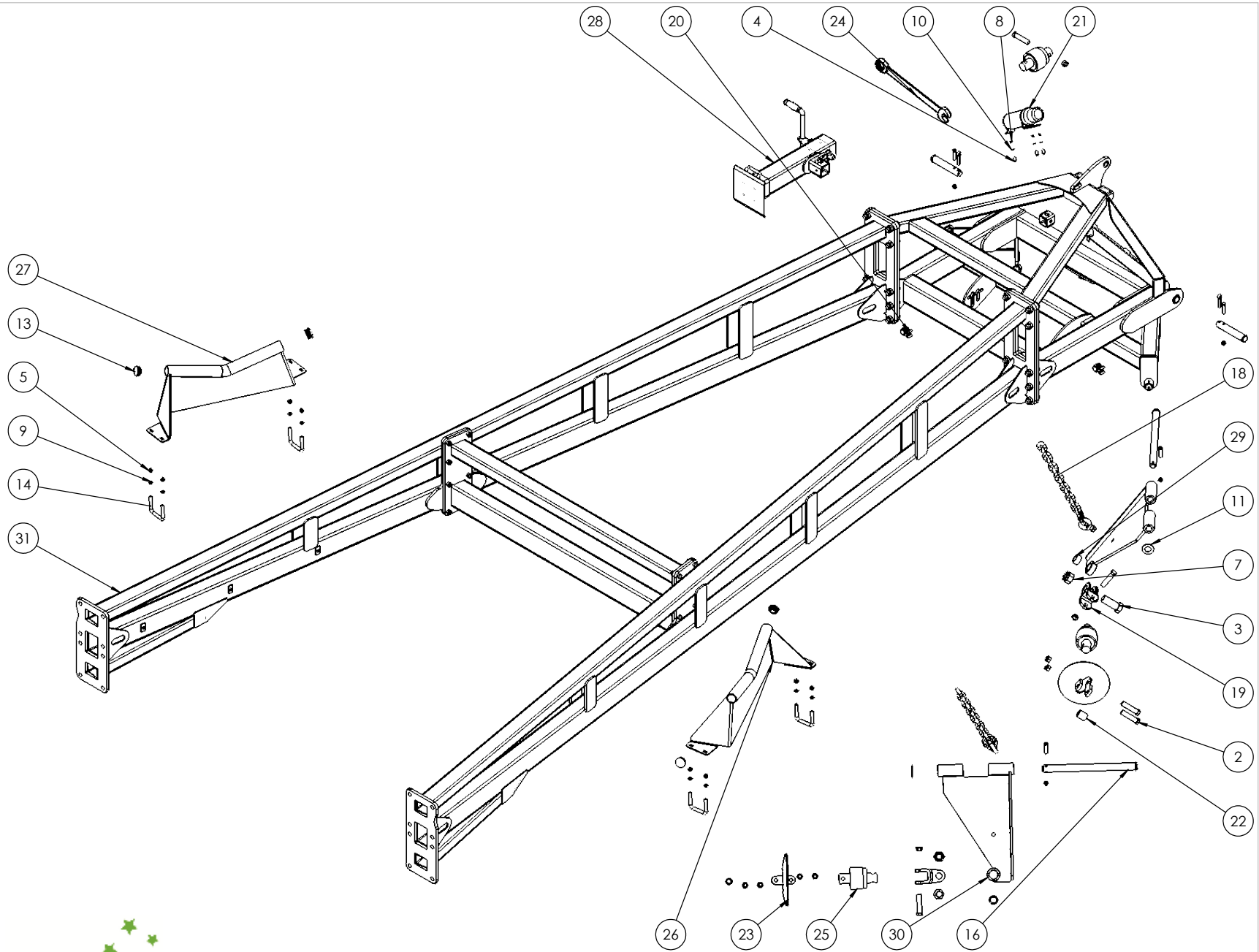
- NOTES:
- 1) INSTALL NUTS PER DIMENSION IN ZONE C1.
  - 2) HUB AND HUB CAP TO BE PAINTED POWDER COATED LEAF GREEN (RAL 6002).
  - 3) GREASE BEARING CONES BEFORE ASSEMBLY.
  - 4) ASSEMBLE AND TORQUE THE SLOTTED NUT TO 75 FT-LBS [101.7 Nm], WHILE ROTATING OR OSCILLATING THE HUB -- TO SEAT THE BEARING ASSEMBLY.
  - 5) LOOSEN THE SLOTTED NUT AND RETORQUE THE SLOTTED NUT TO 45 FT-LBS [61 Nm], WHILE ROTATING OR OSCILLATING THE HUB.
  - 6) INSTALL COTTER PIN THRU THE SLOTTED NUT AND SPINDLE. DO NOT TIGHTEN THE SLOTTED NUT TO INSTALL THE COTTER PIN. LOOSEN THE SLOTTED NUT NO MORE THAN 30° MAXIMUM TO INSTALL THE COTTER PIN.
  - 7) FILL THE HUB CAVITY WITH BEARING GREASE.



ITEM NO.	PART NUMBER	Revision	DESCRIPTION	QTY.
1	0711-400-60-22.5		Tyre Only 400/60-22.5	1
2	0721-22.5X11.75		Rim Only 22.5" Diameter 11.75" Wide, 8 on 8" PCD, 153mm Bore, 0 Offset	1

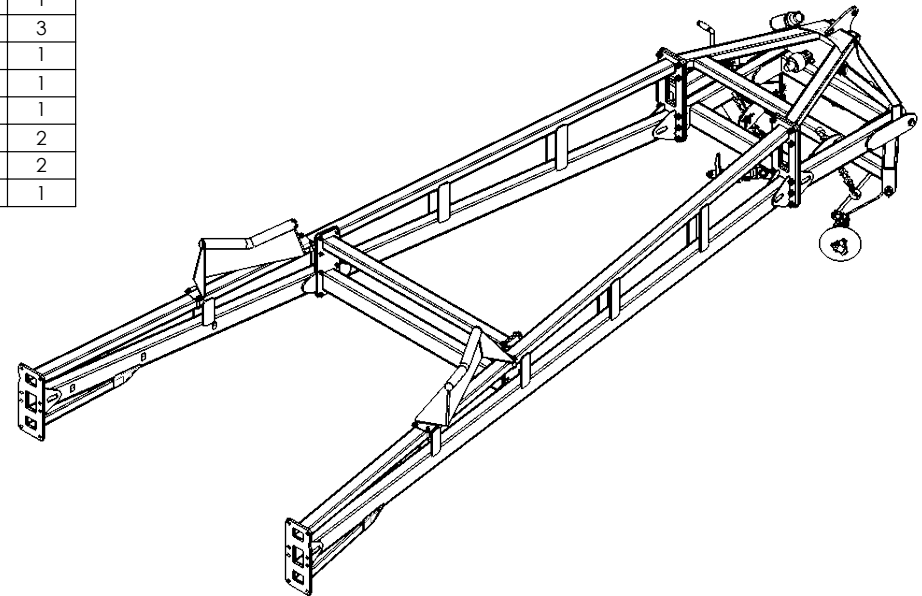


Part Number	Description	For Machines Built:	Revision
<b>0751-400-60-22.5TR</b>	400/60-22.5 Tyre on 8 on 8" PCD Rim		



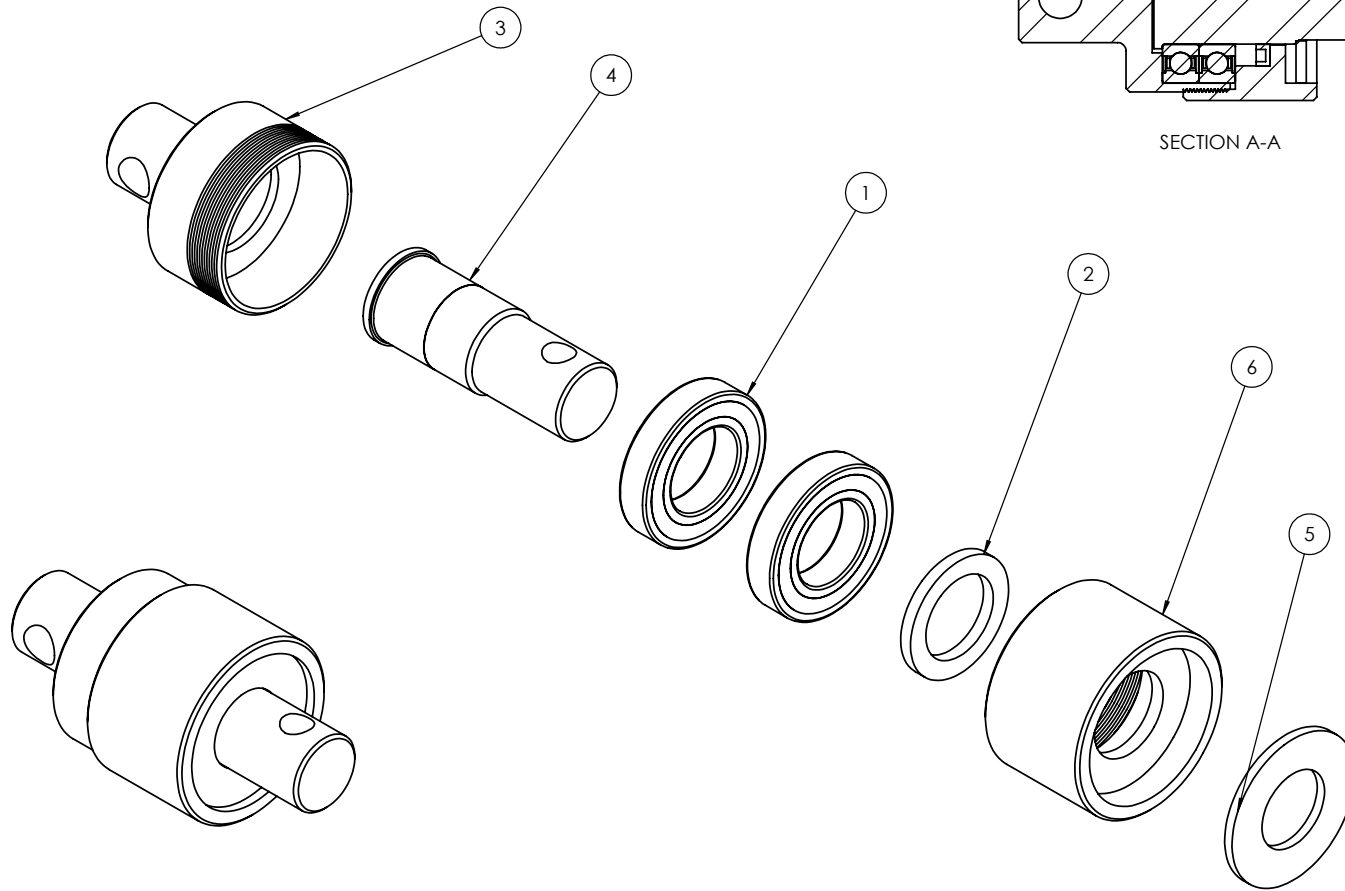
Part Number	Description	For Machines Built:	Revision
<b>1646-02A</b>	<b>46' Front A-Frame Assembly</b>		<b>C-0</b>

ITEM NO.	PART NUMBER	Revision	DESCRIPTION	QTY.
1	0211-1265		M12 x 65 grade 8.8 ZP Bolt	4
2	0211-20110 ST	A	M20 x 110 grade 10.9 ZP Short Thread Bolt	7
3	0211-36105		M36 x 105 grade 8.8 zp Bolt	2
4	0211-825		M8 x 25 grade 8.8 ZP Bolt	3
5	0221-NYL12		Nyloc Nut M12	12
6	0221-NYL20		Nyloc Nut M20	7
7	0221-NYL36		Nyloc Nut M36	2
8	0221-NYL8		Nyloc Nut M8	3
9	0231-F12		Washer Flat M12	8
10	0231-F8		Washer Flat M8	6
11	0232-HT13-8		Washer High Tensile 1 3/8"	2
12	0261-PINC1363		Cotter Pin M13 x 63	2
13	0264-RTRi-5584	A	Round Tube Insert 60.3 x 3.2-5mm	4
14	0271-12105104	A-0	U-Bolt M12 x 105 Deep x 104 Wide	4
15	0801-10-08-235	A-1	PCH Wing Pivot Pin	2
16	0801-10-51	A	Chain Mount Pivot Pin	2
17	0801-20MCA	C-0	Height Adjusting Chain Assembly 13 Link	1
18	0801-20MCA	C-0	Height Adjusting Chain Assembly 13 Link	1
19	0801-FC21	A-2	Forged Clevis 21mm Bolt Hole	2
20	0801-KE014	B	Height Adjustor Retaining Clip	2
21	0801-OMC-1	A	Operator Manual Cannister	1
22	0801-PCDCS55	A	Tie Plate Bush	2
23	0802-DCTP-20	A	Disc Chain Tie Plate Link 20mm	2
24	0802-GW1 3-4	A	Ratcheting Gear Wrench 1 3/4"	1
25	0802-PCHB55	A	20mm Bolt Swivel Unit	3
26	0810-18R	C	Right Hand Off Set M	1
27	0810-19L	C	Left Hand Off Set M	1
28	0810-37A	A	Heavy Duty Jack Assembly	1
29	1501-365033-SS	B-0	Stainless Steel Wear Bush	2
30	1610-20	A-2	Standard Chain Mount Plate	2
31	1646-02	C-0	Front A-Frame	1



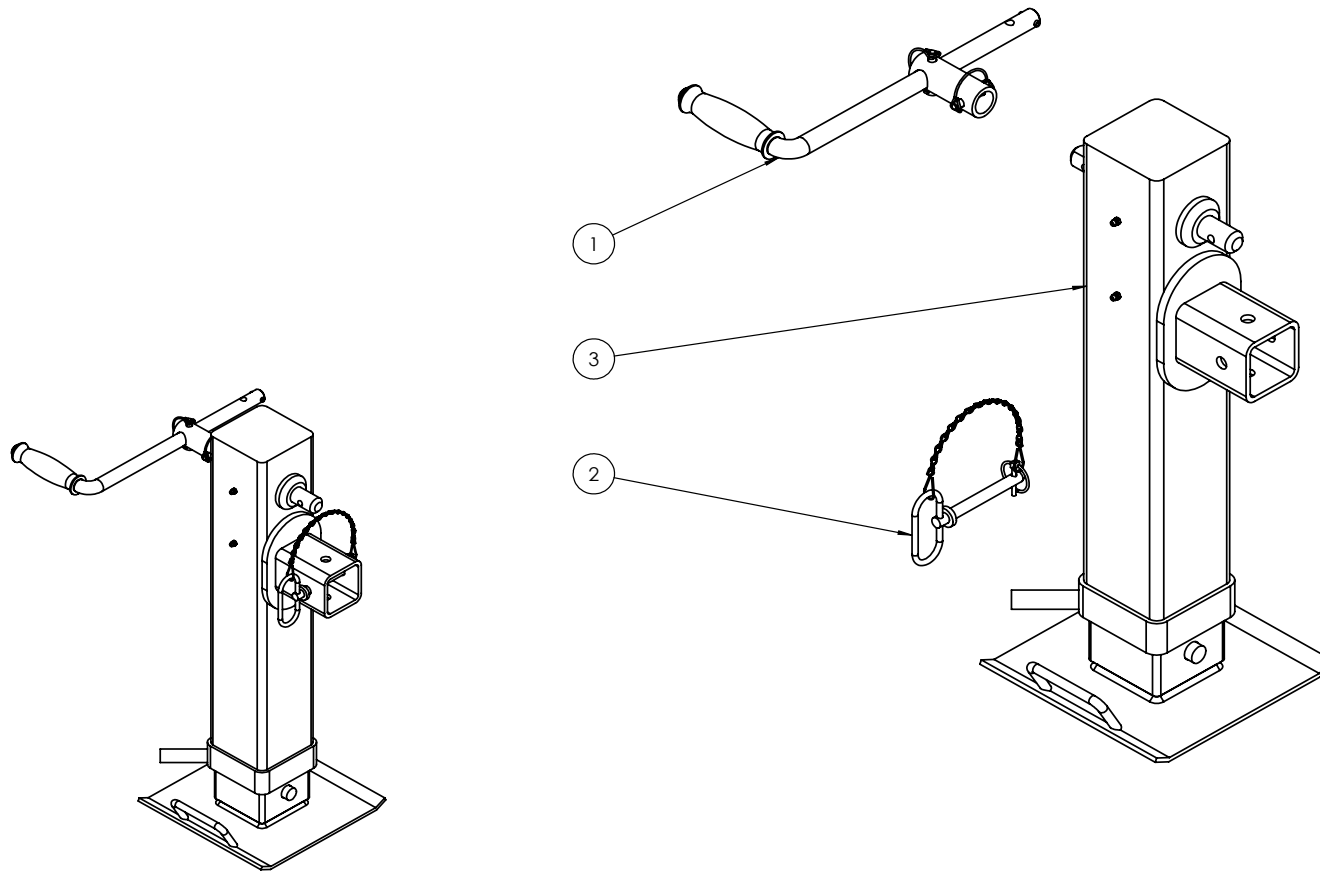
Part Number <b>1646-02A</b>	Description <b>46' Front A-Frame Assembly</b>	For Machines Built:	Revision <b>C-0</b>
--------------------------------	--------------------------------------------------	---------------------	------------------------

ITEM NO.	PART NUMBER	Revision	DESCRIPTION	QTY.
1	0112-6211		Bearing 6211 2RS	2
2	0121-TC12616		TC12616 Seal 55mm x 80mm x 8mm	1
3	0801-PCHB55H	A	Housing to Suit PCHB55 Swivel	1
4	0801-PCHB55S	A-1	Shaft To Suit PCHB55 Swivel	1
5	0801-PCHB55WA	B-0	Washer To Suit PCHB55 Swivel	1
6	0801-PCHB55C	A	Cap To Suit PCHB55 Swivel	1



Part Number	Description	For Machines Built:	Revision
<b>0802-PCHB55</b>	20mm Bolt Swivel Unit	2002-	A-1

ITEM NO.	PART NUMBER	Revision	DESCRIPTION	QTY.
1	0801-622110HA	A	Jack Handle Assembly 4 Tonne	1
2	0801-B3077	A	Jack Pin	1
3	0810-37	B	Heavy Duty Jack	1



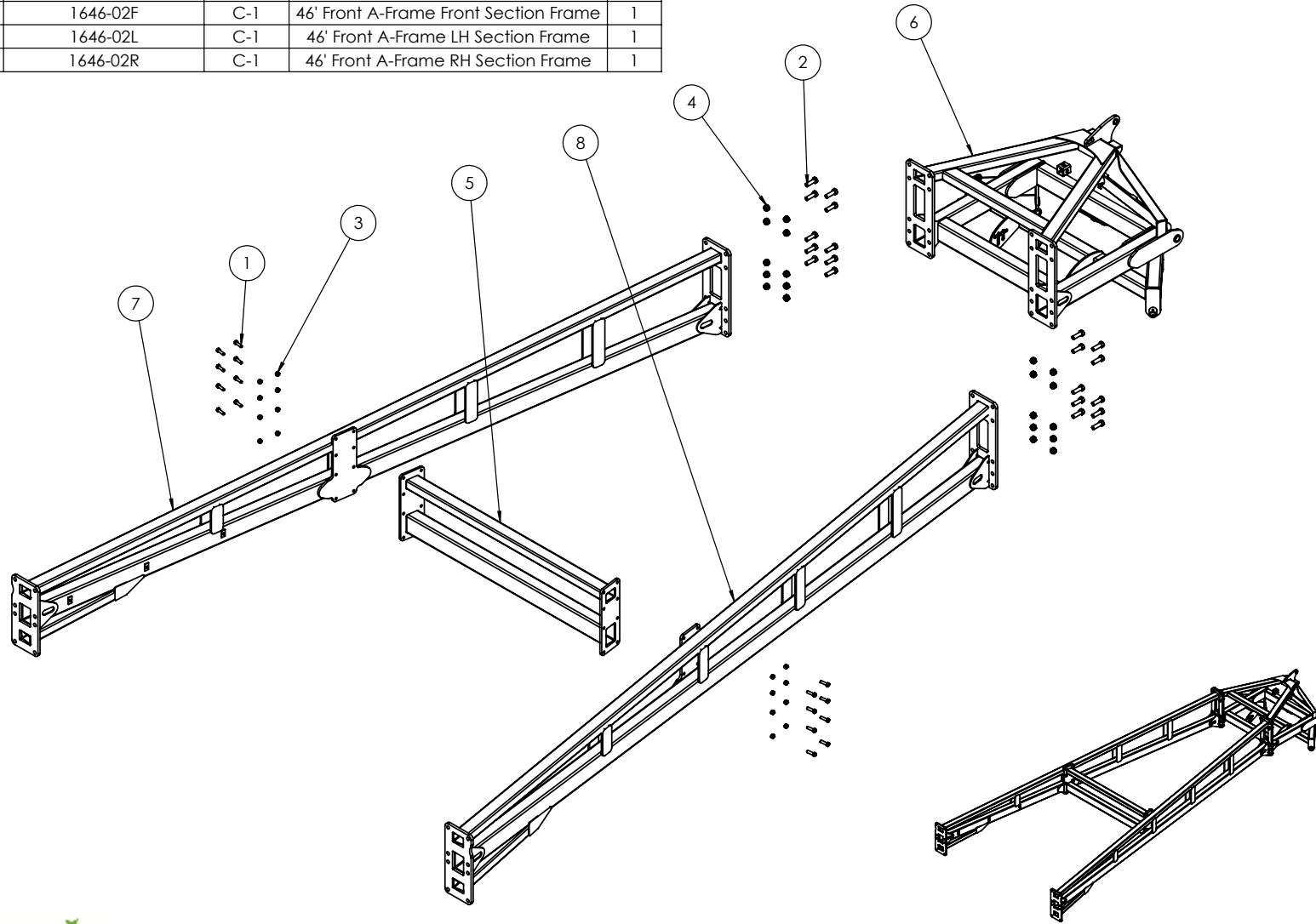
Part Number  
**0810-37A**

Description  
**Heavy Duty Jack Assembly**

For Machines Built:  
65'(112043-65)-

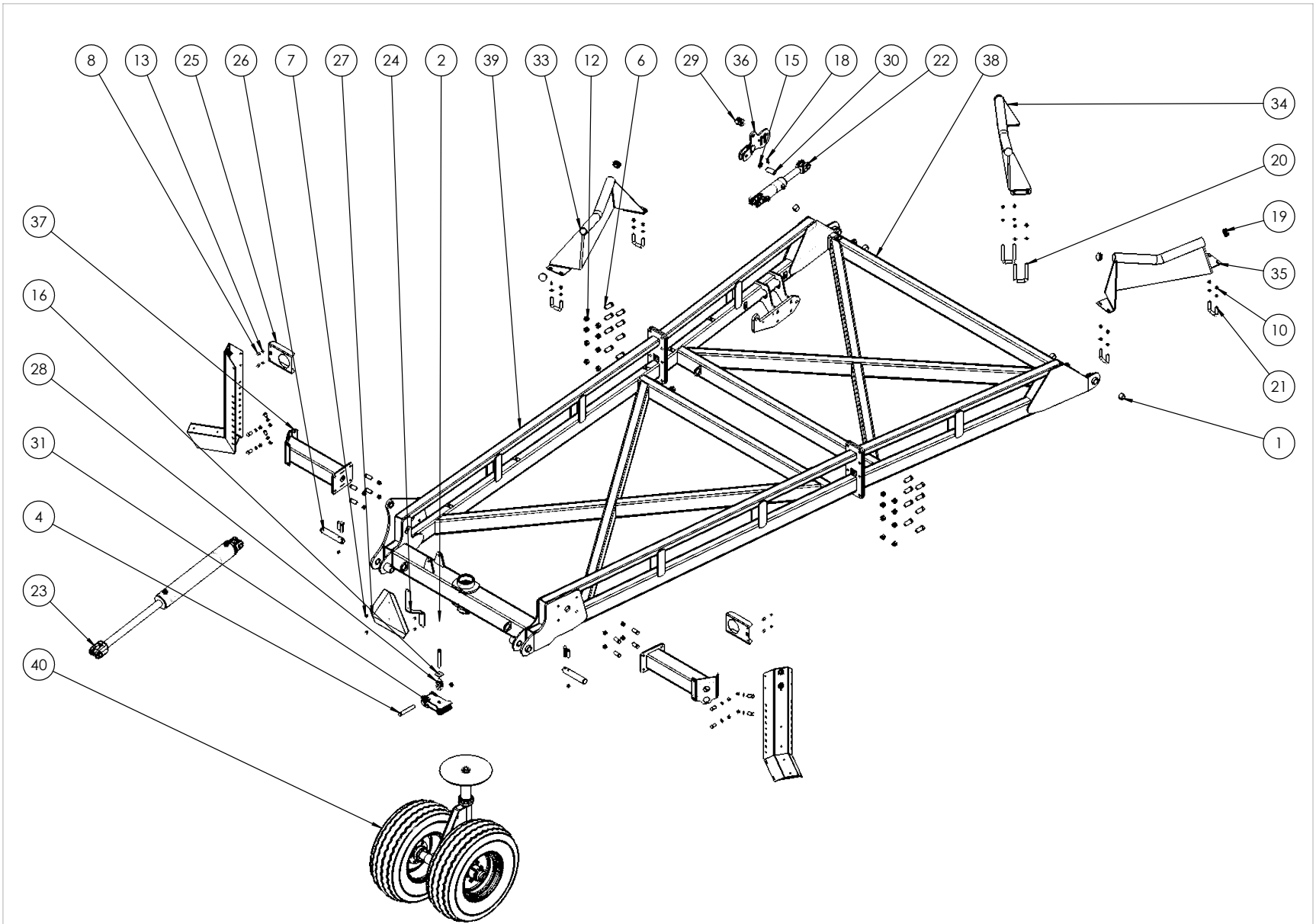
Revision  
**A**

ITEM NO.	PART NUMBER	Revision	DESCRIPTION	QTY.
1	0211-1655	A	M16 x 55 grade 8.8 zp Bolt	16
2	0211-2475	A	M24 x 75 grade 8.8 zp Bolt	20
3	0221-NYL16		Nyloc Nut M16	16
4	0221-NYL24		Nyloc Nut M24	20
5	1646-02B	C-1	46' Front A-Frame Brace Section Frame	1
6	1646-02F	C-1	46' Front A-Frame Front Section Frame	1
7	1646-02L	C-1	46' Front A-Frame LH Section Frame	1
8	1646-02R	C-1	46' Front A-Frame RH Section Frame	1



Part Number	Description	For Machines Built:	Revision
<b>1646-02</b>	Front A-Frame		C-0





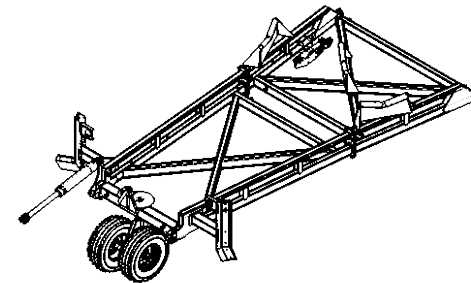
Part Number  
**1646-03A**

Description  
**46' Rear A-Frame Assembly**

For Machines Built:

Revision  
**B-0**

ITEM NO.	PART NUMBER	Revision	DESCRIPTION	QTY.
1	0113-MB 3530DU		35 ID x 30mm DU Bush	4
2	0181-GN1-4		Grease Nipple 1/4" UNF	2
3	0211-1265		M12 x 65 grade 8.8 ZP Bolt	2
4	0211-16150	A	M16 x 150 grade 8.8 zp Bolt	2
5	0211-1650	A	M16 x 50 grade 8.8 zp Bolt	8
6	0211-2060	A	M20 x 60 grade 8.8 ZP Bolt	16
7	0211-M620MZPHTF		M6 x 20 Trilobe self tapping ScREW	4
8	0215-CH0820	A	M8 x 20 Coach Head Bolt	4
9	0215-CH1240		M12 x 40 Coach Head Bolt	8
10	0221-NYL12		Nyloc Nut M12	22
11	0221-NYL16		Nyloc Nut M16	9
12	0221-NYL20		Nyloc Nut M20	16
13	0221-NYL8		Nyloc Nut M8	4
14	0231-F12		Washer Flat M12	20
15	0231-F24		Washer Flat M24	1
16	0231-SQ16505	A	Washer Square M16 x 50 x 5	1
17	0261-PINC1363		Cotter Pin M13 x 63	2
18	0261-PINC550	A	Cotter Pin M5 x 50	1
19	0264-RTRI-5584	A	Round Tube Insert 60.3 x 3.2-5mm	6
20	0271-1215577	A-0	U-Bolt M12 x 155 Deep x 77 Wide	2
21	0271-128077	A-0	U-Bolt M12 x 80 Deep x 77 Wide	4
22	0311-256SP	A-0	2.5" Bore x 6" Stroke 1.5" Rod Side Port Cylinder	1
23	0311-424	A-0	4" Bore 24" Stroke 1.75" Rod Hydraulic Cylinder	1
24	0800-195.1	B	SMV Sign Bracket	1
25	0800-295	A	Rear Light Bracket	2
26	0801-10-08-235	A-1	PCH Wing Pivot Pin	2
27	0801-FBSMVTUF	A	Slow Moving Vehical Sign	1
28	0801-KE009	A	Brake Compression Spring	1
29	0801-KE014	B	Height Adjustor Retaining Clip	1
30	0801-KE0307-1	B-0	Clevis Pin 25mm x 75mm	1
31	0810-12CAL	D	Jockey Wheel Brake Caliper	1
32	0810-17L	F-2	Chain Carrier L	2
33	0810-18R	C	Right Hand Off Set M	1
34	0810-19	E	Straight Chain Carrier M	1
35	0810-19L	C	Left Hand Off Set M	1
36	1610-107	C-1	Short Module Lift Arm	1
37	1610-109	A-0	46 Outrigger	2
38	1646-03-1	B-2	Rear A-Frame Front Section	1
39	1646-03S-2	C-0	Rear A-Frame Rear Section	1
40	1610-11-70A	A-1	Jockey Wheel Assembly	1



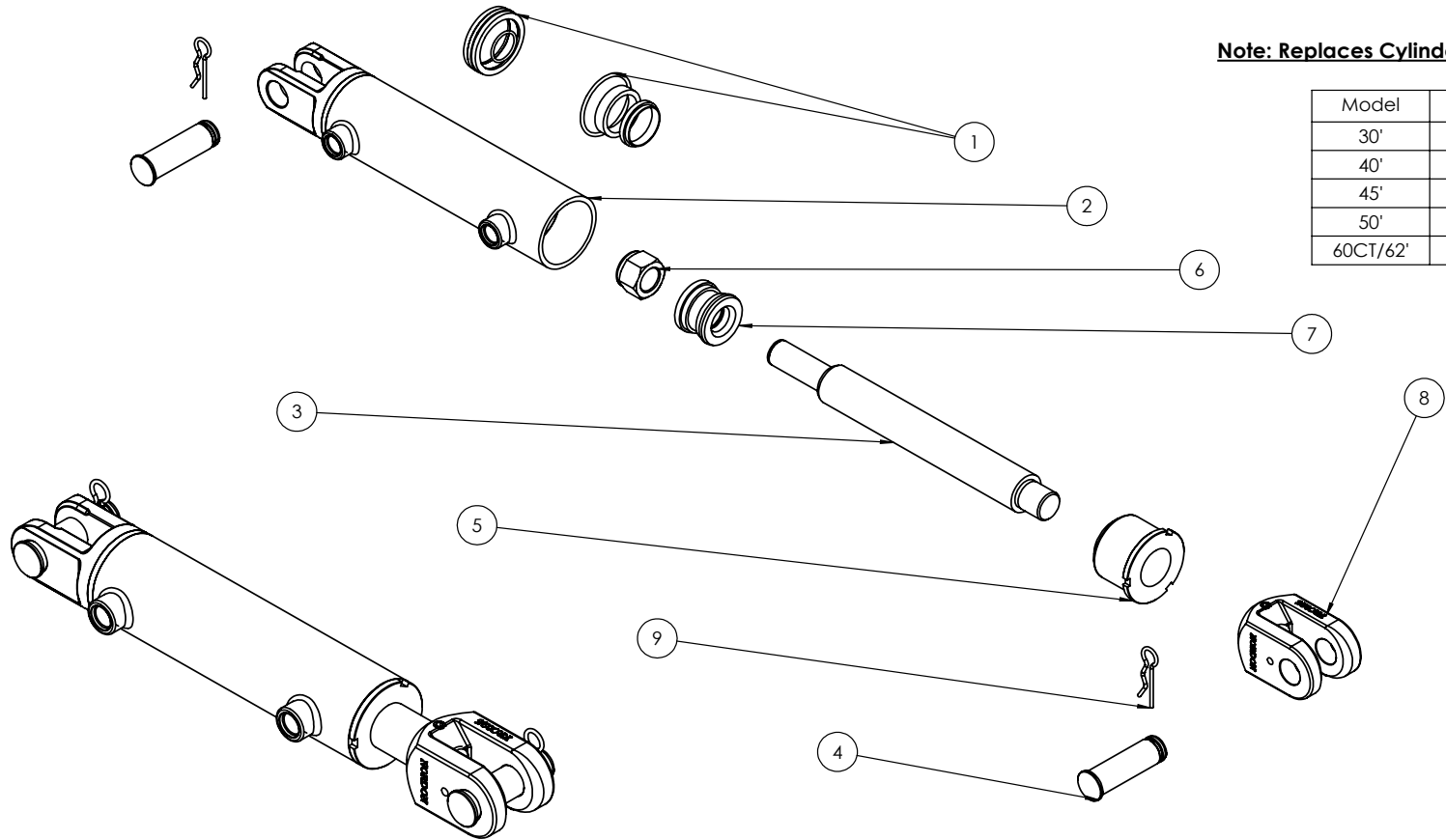
Part Number  
**1646-03A**

Description  
**46' Rear A-Frame Assembly**

For Machines Built:

Revision  
**B-0**

ITEM NO.	PART NUMBER	Revision	DESCRIPTION	QTY.
1	0312-N25	A-0	Nordon 2.5" Cylinder Seal Kit	1
2	0313-256SP-B	A-0	2.5" x 6" Hydraulic Cylinder Barrel	1
3	0313-256SP-R	A-0	Rod For 2.5" x 6" Hydraulic Cylinder	1
4	0313-NCP1X75	A-0	Hydraulic Cylinder Pin 1" x 75mm	2
5	0313-NG15X25		Hydraulic Cylinder Gland 1.5" Rod x 2.5" Barrel	1
6	0313-NN1		Nordon 1" Cylinder Rod Nut	1
7	0313-NP25	A-0	Hydraulic Cylinder Piston 2 1/2"	1
8	0313-NRC1X1 1-8	A-0	Hydraulic Cylinder Rod Clevis 1" Pin 1 1/8" Thread	1
9	0511-RCLIP3		R Clip 3mm	2



**Note: Replaces Cylinder 0311-5041**

Model	Qty
30'	3
40'	3
45'	3
50'	3
60CT/62'	3



Part Number  
**0311-256SP**

Description  
2.5" Bore x 6" Stroke 1.5" Rod Side Port Cylinder

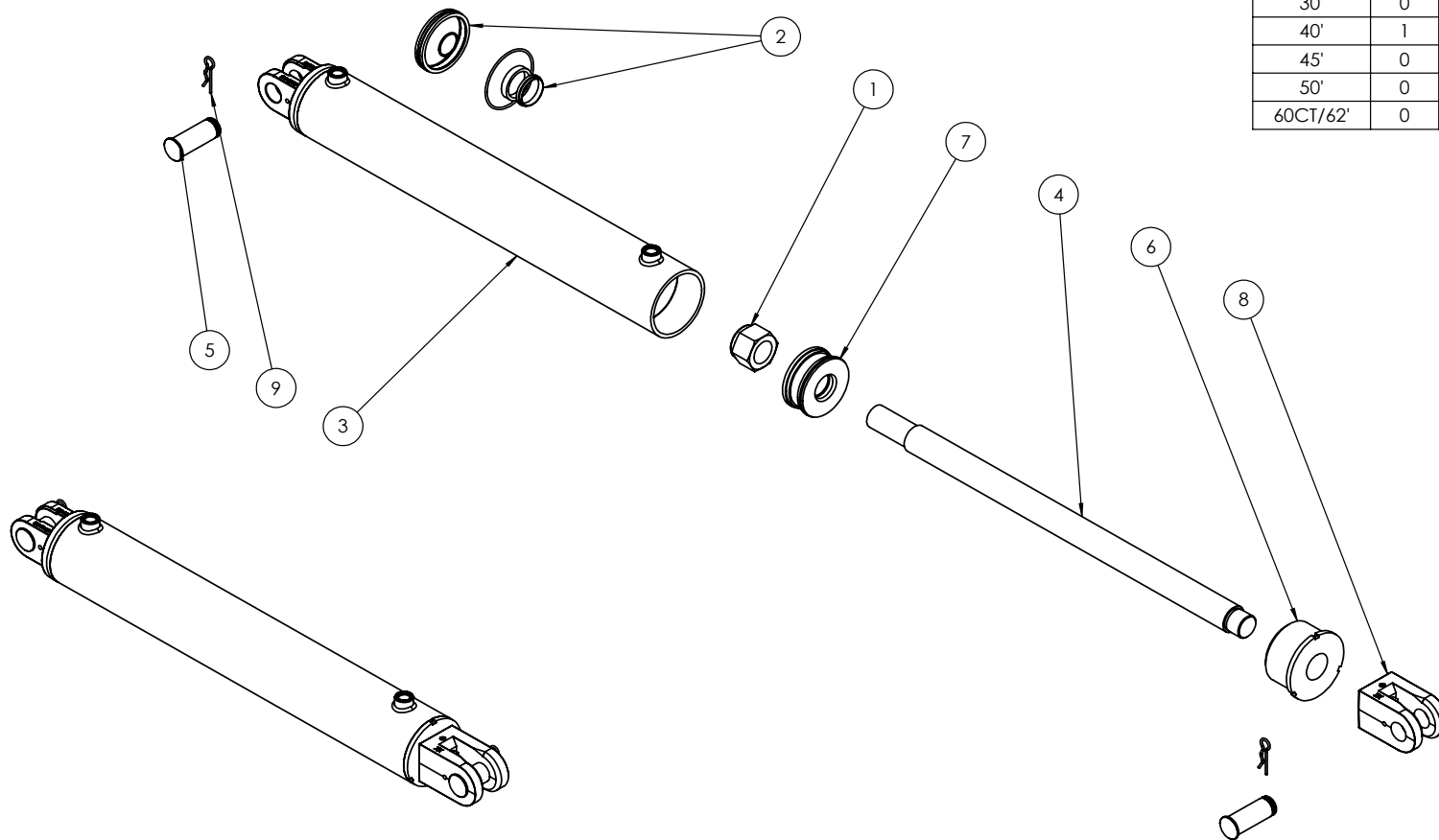
For Machines Built:

Revision  
A-0

ITEM NO.	PART NUMBER	Revision	DESCRIPTION	QTY.
1	0223-NYL11-2		Nyloc Nut 1 1/2" UNF	1
2	0312-N4	A-0	Nordon 4" Cylinder Seal Kit	1
3	0313-424-B	A-0	4" Bore x 24" Stroke Hydraulic Cylinder Barrel	1
4	0313-424-R	A-0	Rod for 4" Bore x 24" Stroke Hydraulic Cylinder	1
5	0313-NCP1 1-2X75	A-0	Hydraulic Cylinder Pin 1 1/2" x 75mm	2
6	0313-NG175X4	A-0	Cylinder Gland 1.75" Rod x 4" Barrel	1
7	0313-NP4	A-0	Hydraulic Cylinder Piston 4"	1
8	0313-NRC1 1-2X1 1-2	A-0	Hydraulic Cylinder Rod Clevis 1 1/2" Pin x 1 1/2" Thread	1
9	0511-RCLIP3		R Clip 3mm	2

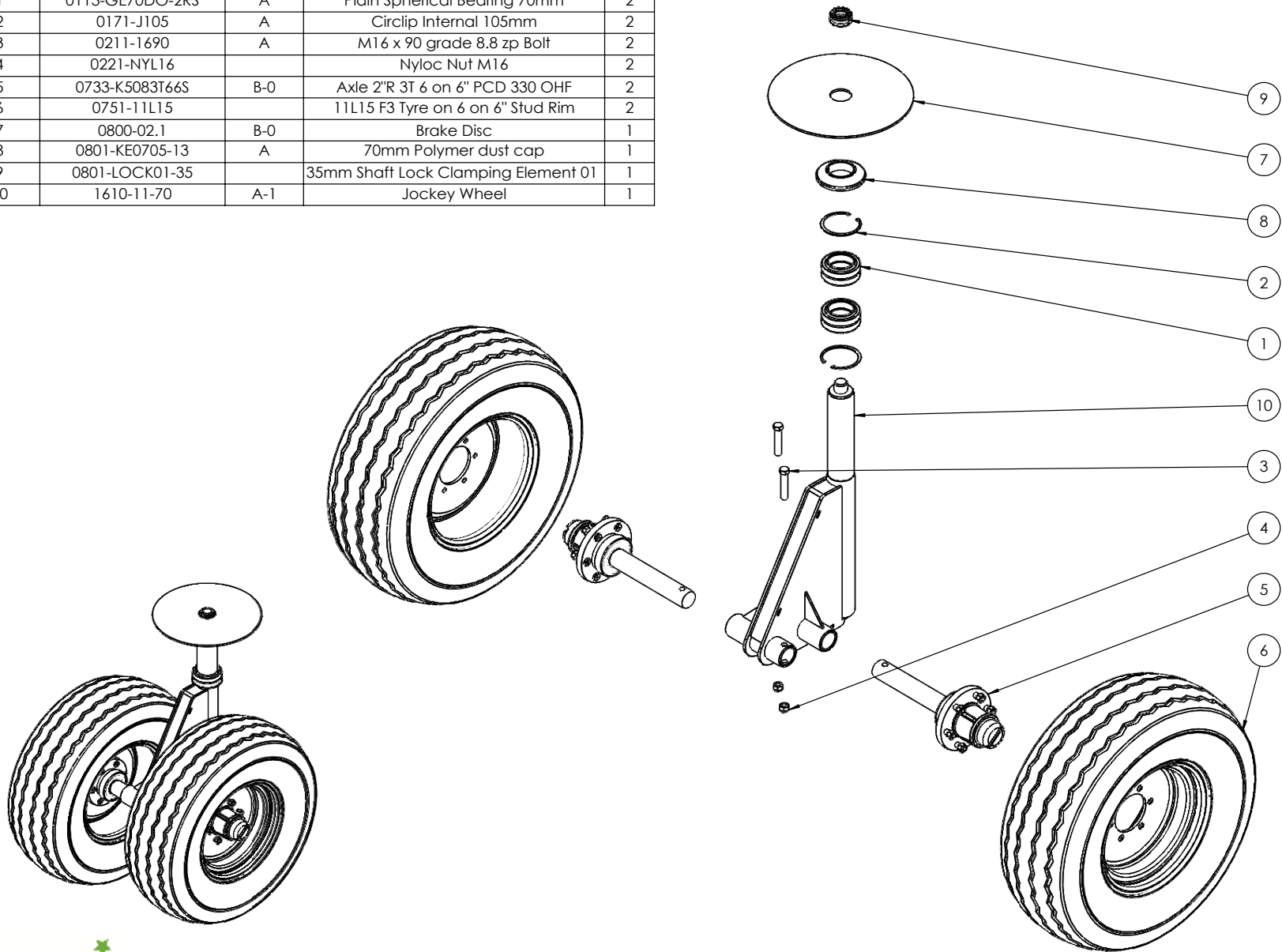
**Note: Replaces Cylinder 0311-3786**

Model	Qty
30'	0
40'	1
45'	0
50'	0
60CT/62'	0



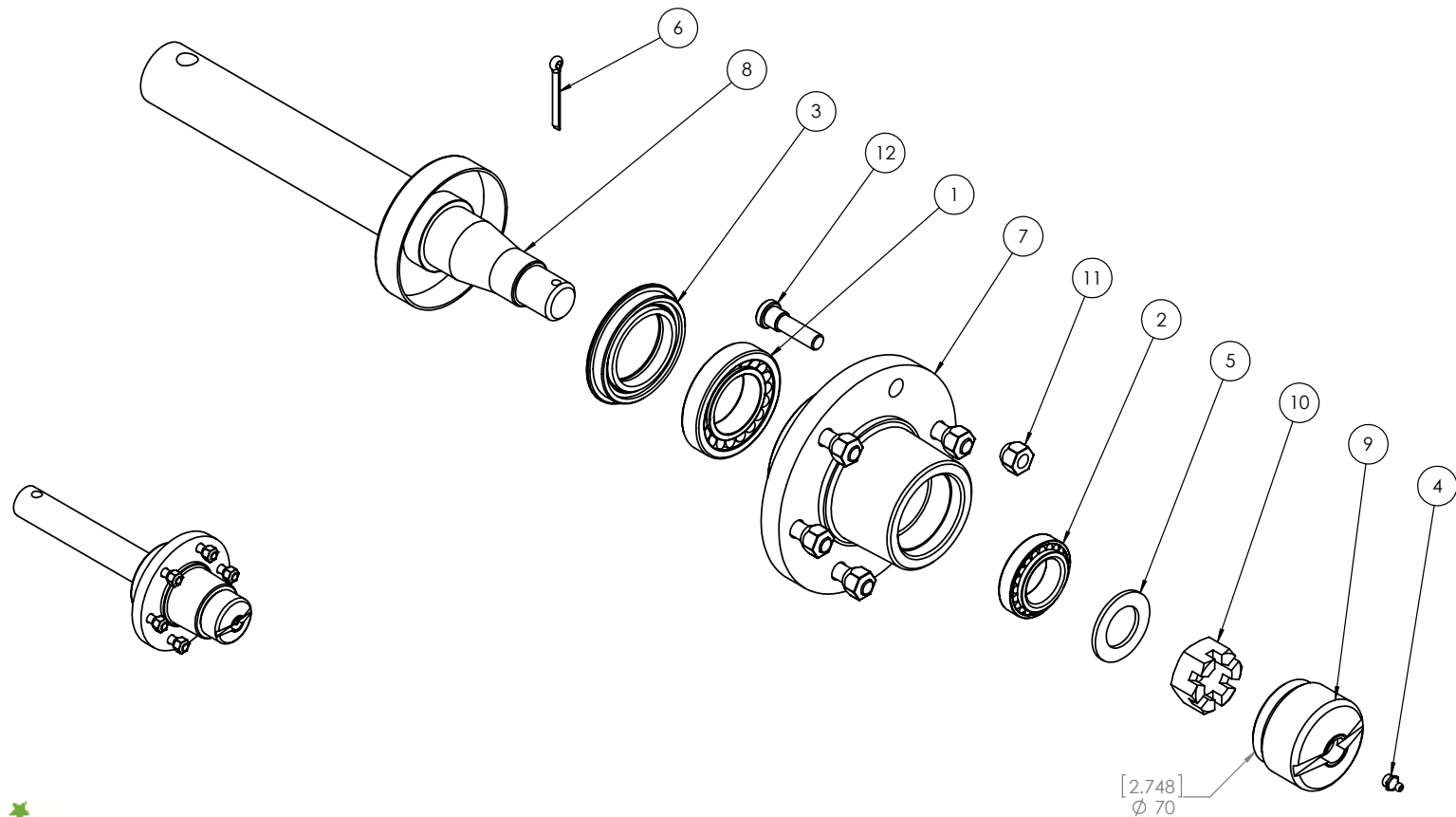
Part Number	Description	For Machines Built:	Revision
<b>0311-424</b>	4" Bore 24" Stroke 1.75" Rod Hydraulic Cylinder		A-0

ITEM NO.	PART NUMBER	Revision	DESCRIPTION	QTY.
1	0113-GE70DO-2RS	A	Plain Spherical Bearing 70mm	2
2	0171-J105	A	Circlip Internal 105mm	2
3	0211-1690	A	M16 x 90 grade 8.8 zp Bolt	2
4	0221-NYL16		Nyloc Nut M16	2
5	0733-K5083T66S	B-0	Axle 2"R 3T 6 on 6" PCD 330 OHF	2
6	0751-11L15		11L15 F3 Tyre on 6 on 6" Stud Rim	2
7	0800-02.1	B-0	Brake Disc	1
8	0801-KE0705-13	A	70mm Polymer dust cap	1
9	0801-LOCK01-35		35mm Shaft Lock Clamping Element 01	1
10	1610-11-70	A-1	Jockey Wheel	1



Part Number <b>1610-11-70A</b>	Description <b>Jockey Wheel Assembly</b>	For Machines Built:	Revision <b>A-1</b>
-----------------------------------	---------------------------------------------	---------------------	------------------------

ITEM NO.	PART NUMBER	Revision	DESCRIPTION	QTY.
1	0111-30210		Bearing Tapered Roller 50x90x21.75	1
2	0111-LM29749-10		Bearing Tapered Roller 38.1x65.088x18.034	1
3	0121-AP64607	A	AP7 Seal 90 x 60.3 x 10mm	1
4	0181-GN1-8	A	Grease Nipple 1/8" BSP	1
5	0232-F11-4		Washer Flat 1 1/4"	1
6	0261-PINC650		Cotter Pin M6 x 50mm	1
7	0731-H83660	A	3T 6 on 6" Hub Only	1
8	0732-K5083TS	A	2" Round 330 OHF Stub Only	1
9	0741-D-CAPLC4T	A	Dust Cap Ali 70 Round	1
10	0741-NCAST114	A	Castle Nut 1 1/4" x 12	1
11	0741-NWH1-2	A	Wheel Nut 1/2" UNF	6
12	0741-WS1-2	A	Wheel Stud 1/2" UNF x 2"	6



Part Number  
**0733-K5083T66S**

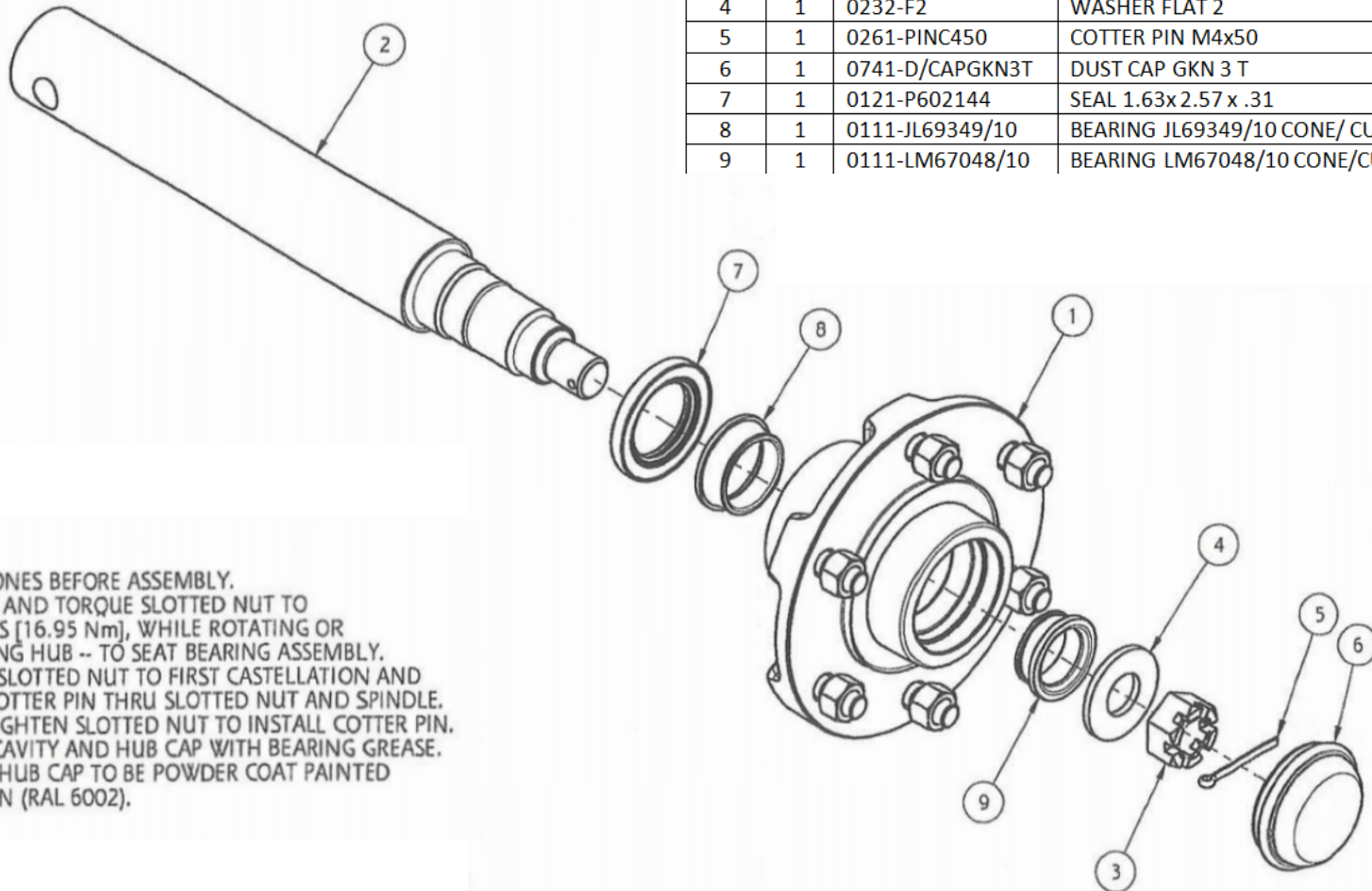
Description  
**Axle 2"R 3T 6 on 6" PCD 330 OHF**

For Machines Built:  
26/11/09-

Revision  
**A**

0733-LG8880093

POS	QTY	PART NO.	DESCRIPTION
1	1	0731-H8880093	GKN 3T 6 on 6" HUB ONLY
	6	0741-WS1/2-1-7/8	WHEEL STUD 1/2" UNF x 1-7/8"
	6	0741-NWH1-2-90	WHEEL NUT 1/2" 90 DEG
2	1	0732-LS9631J-26	GKN 4T 2" x 15.766" STUB/ SPINDLE
3	1	0741-NCAS7/8	7/8" CASTLE NUT
4	1	0232-F2	WASHER FLAT 2
5	1	0261-PINC450	COTTER PIN M4x50
6	1	0741-D/CAPGKN3T	DUST CAP GKN 3 T
7	1	0121-P602144	SEAL 1.63x2.57 x .31
8	1	0111-JL69349/10	BEARING JL69349/10 CONE/ CUP
9	1	0111-LM67048/10	BEARING LM67048/10 CONE/CUP

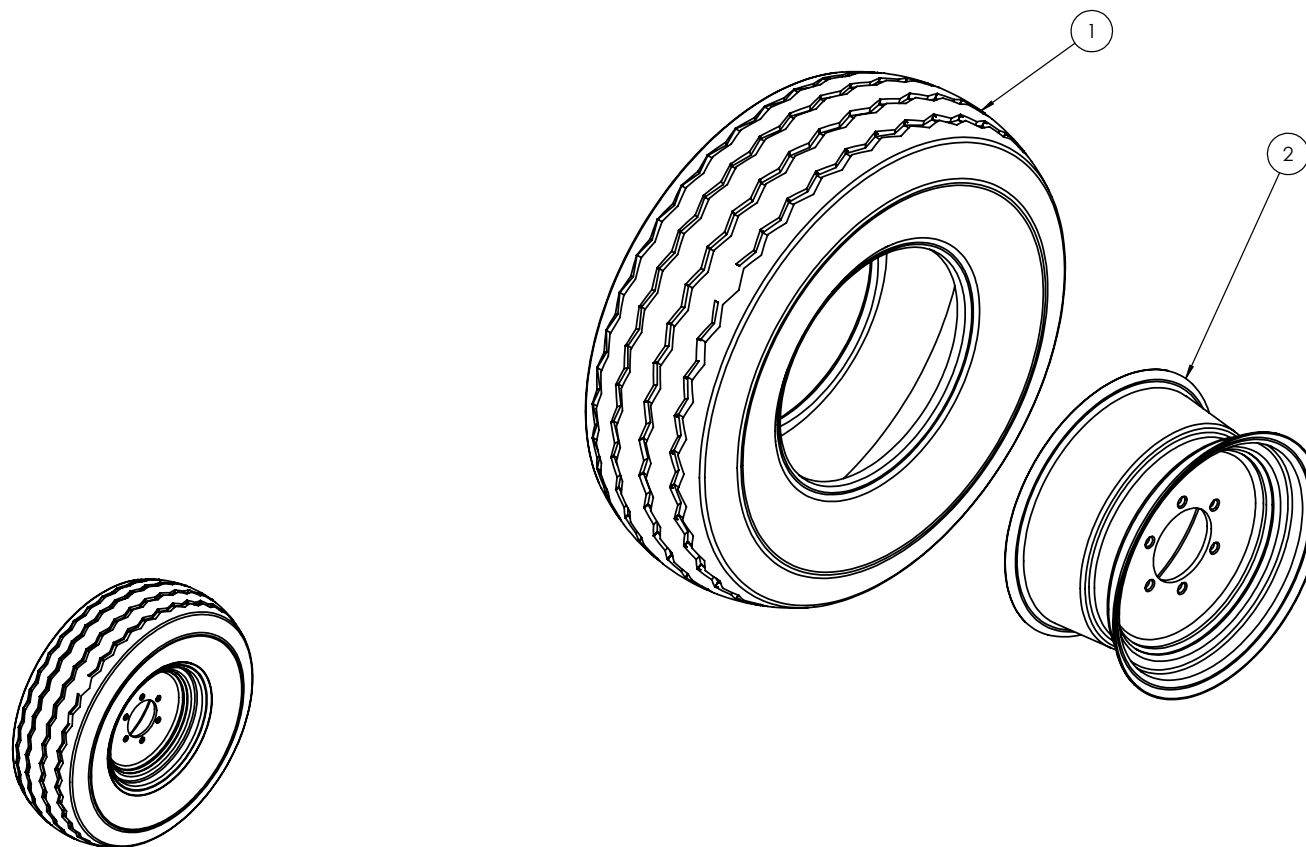


NOTES:

- 1) GREASE CONES BEFORE ASSEMBLY.
- 2) ASSEMBLE AND TORQUE SLOTTED NUT TO 12.5 FT-LBS [16.95 Nm], WHILE ROTATING OR OSCILLATING HUB -- TO SEAT BEARING ASSEMBLY.
- 3) BACK OFF SLOTTED NUT TO FIRST CASTELLATION AND INSTALL COTTER PIN THRU SLOTTED NUT AND SPINDLE. DO NOT TIGHTEN SLOTTED NUT TO INSTALL COTTER PIN.
- 4) FILL HUB CAVITY AND HUB CAP WITH BEARING GREASE.
- 5) HUB AND HUB CAP TO BE POWDER COAT PAINTED LEAF GREEN (RAL 6002).



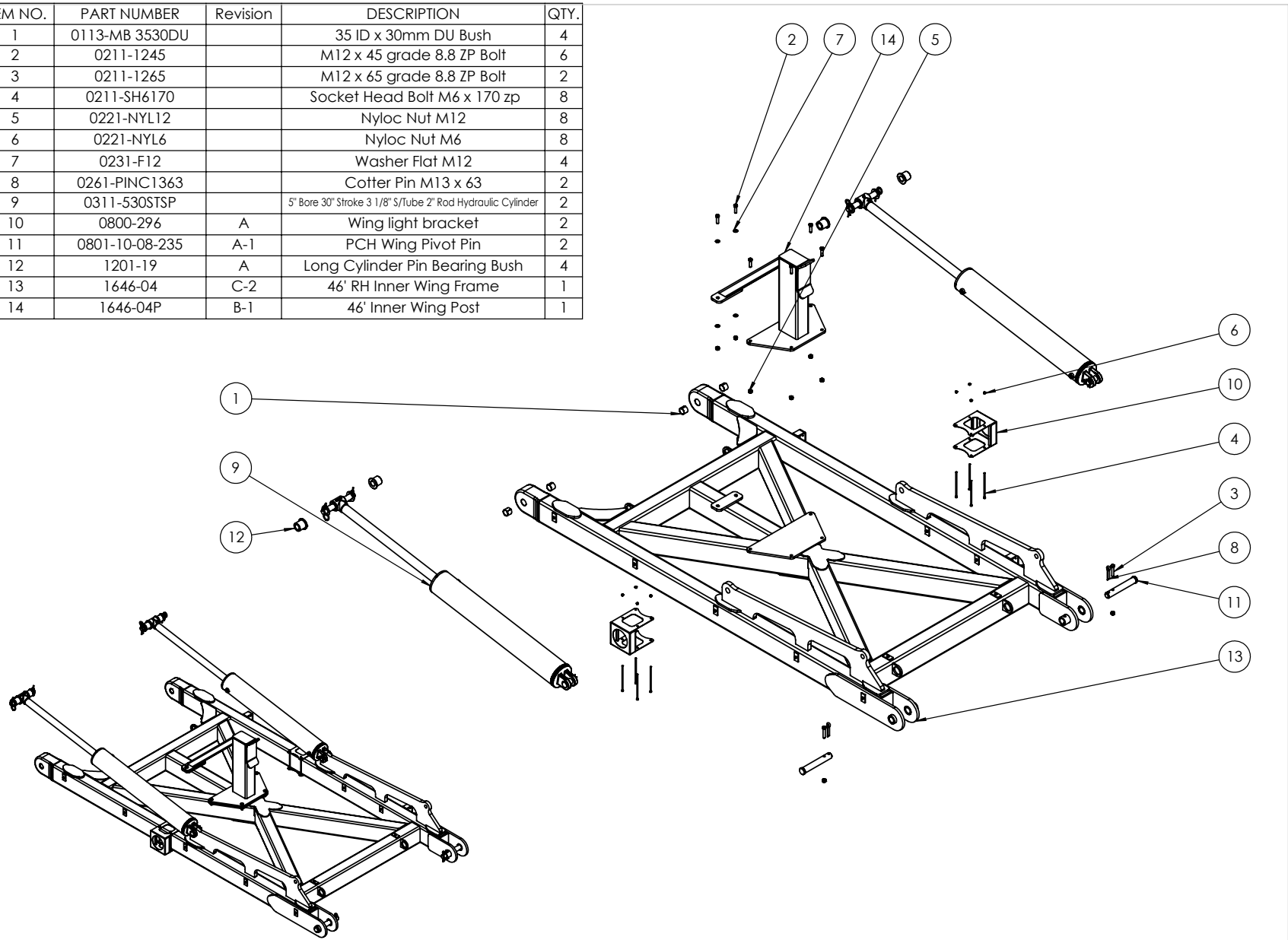
ITEM NO.	PART NUMBER	Revision	DESCRIPTION	QTY.
1	0711-11L15		Tyre Only 11L15 12ply Industrial Rib F3	1
2	0721-15X8		Rim Only 15" Diameter 8" Wide, 6 on 6" PCD, 118mm Bore, +30 Offset	1



Part Number <b>0751-11L15</b>	Description 11L15 F3 Tyre on 6 on 6" Stud Rim	For Machines Built:	Revision B-0
----------------------------------	--------------------------------------------------	---------------------	-----------------

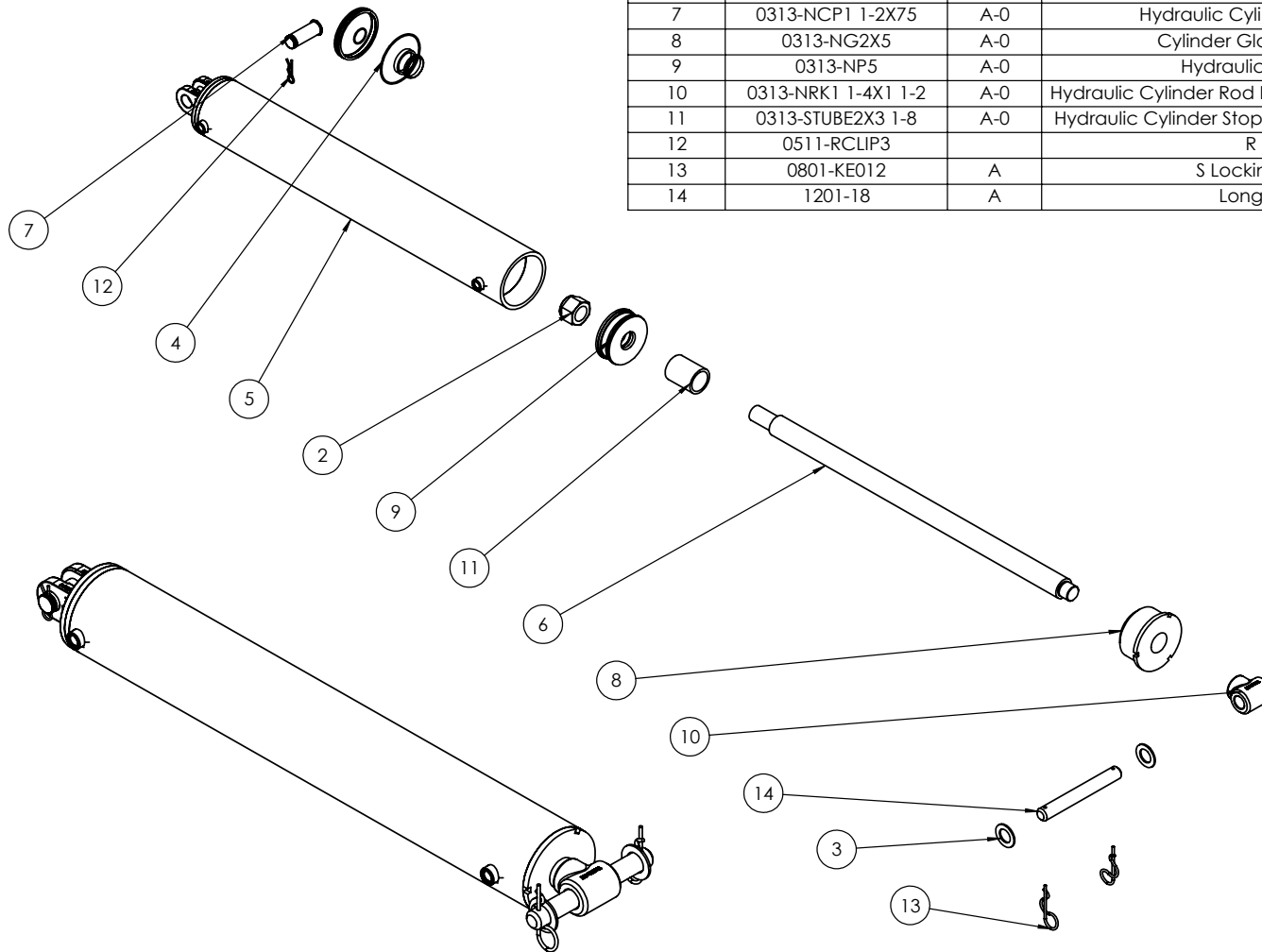


ITEM NO.	PART NUMBER	Revision	DESCRIPTION	QTY.
1	0113-MB 3530DU		35 ID x 30mm DU Bush	4
2	0211-1245		M12 x 45 grade 8.8 ZP Bolt	6
3	0211-1265		M12 x 65 grade 8.8 ZP Bolt	2
4	0211-SH6170		Socket Head Bolt M6 x 170 zp	8
5	0221-NYL12		Nyloc Nut M12	8
6	0221-NYL6		Nyloc Nut M6	8
7	0231-F12		Washer Flat M12	4
8	0261-PINC1363		Cotter Pin M13 x 63	2
9	0311-530STSP		5" Bore 30" Stroke 3 1/8" S/Tube 2" Rod Hydraulic Cylinder	2
10	0800-296	A	Wing light bracket	2
11	0801-10-08-235	A-1	PCH Wing Pivot Pin	2
12	1201-19	A	Long Cylinder Pin Bearing Bush	4
13	1646-04	C-2	46' RH Inner Wing Frame	1
14	1646-04P	B-1	46' Inner Wing Post	1



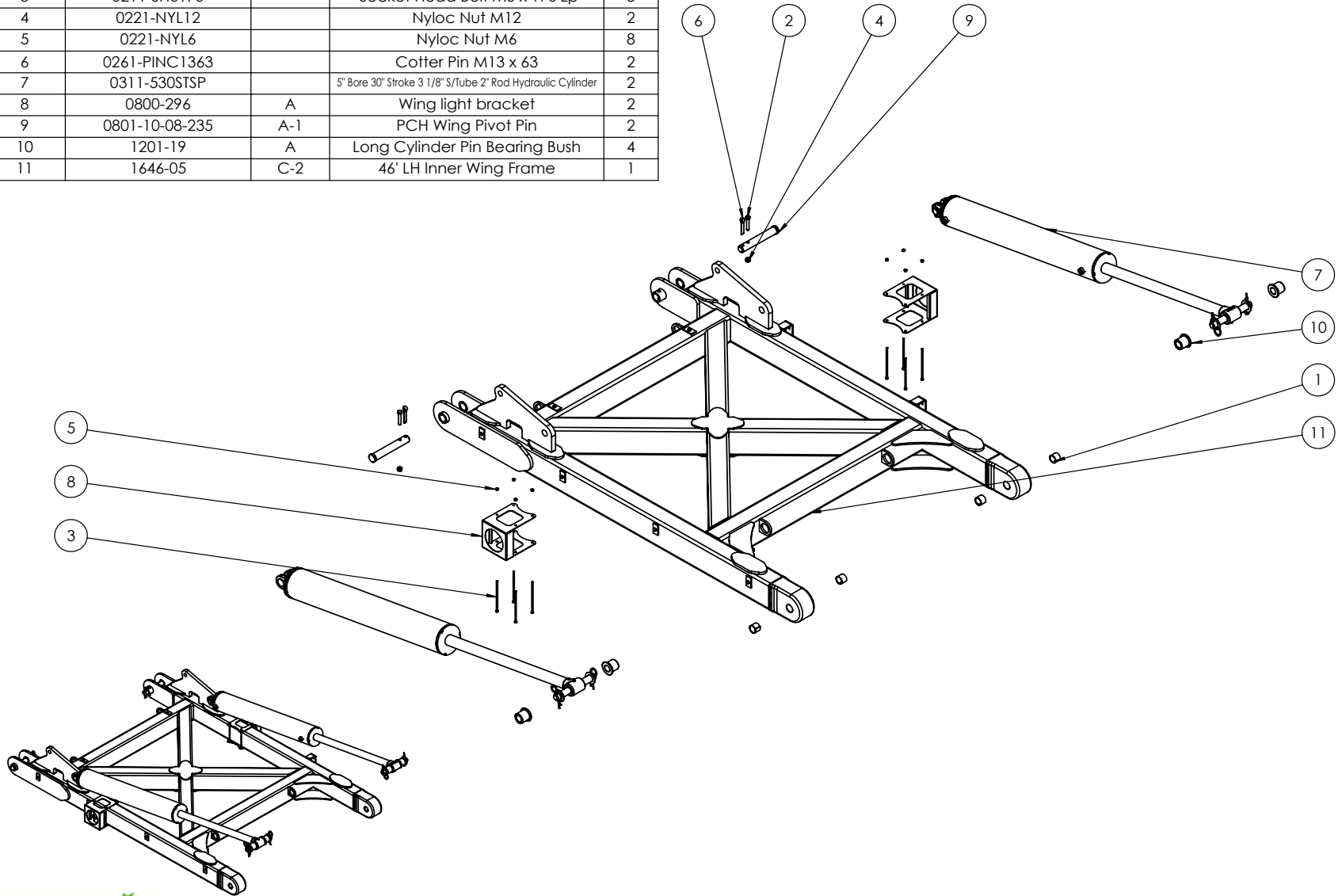
Part Number <b>1646-04A</b>	Description <b>46' RH Inner Wing Assembly</b>	For Machines Built:	Revision <b>C-0</b>
--------------------------------	--------------------------------------------------	---------------------	------------------------

ITEM NO.	PART NUMBER	Revision	DESCRIPTION	QTY.
1	0181-GN1-8	A	Grease Nipple 1/8" BSP	1
2	0223-NYL11-2		Nyloc Nut 1 1/2" UNF	1
3	0232-F11-4		Washer Flat 1 1/4"	2
4	0312-N5	A-1	Nordon 5" Cylinder Seal Kit	1
5	0313-530ST-BSP		5" Bore 30" Stroke 3 1/8" S/Tube 2" Rod Hydraulic Cylinder	1
6	0313-530ST-R	A-0	Rod for 5" Bore 30" Stroke 3 1/8" S/Tube Cylinder	1
7	0313-NCP1 1-2X75	A-0	Hydraulic Cylinder Pin 1 1/2" x 75mm	1
8	0313-NG2X5	A-0	Cylinder Gland 2" Rod x 5" Barrel	1
9	0313-NP5	A-0	Hydraulic Cylinder Piston 5"	1
10	0313-NRK1 1-4X1 1-2	A-0	Hydraulic Cylinder Rod Knuckle 1 1/4" Pin x 1 1/2" Thread	1
11	0313-STUBE2X3 1-8	A-0	Hydraulic Cylinder Stop Tube 2" ID x 3 1/8" (80mm) Long	1
12	0511-RCLIP3		R Clip 3mm	1
13	0801-KE012	A	S Locking Pin Clip 5mm	2
14	1201-18	A	Long Cylinder Pin	1



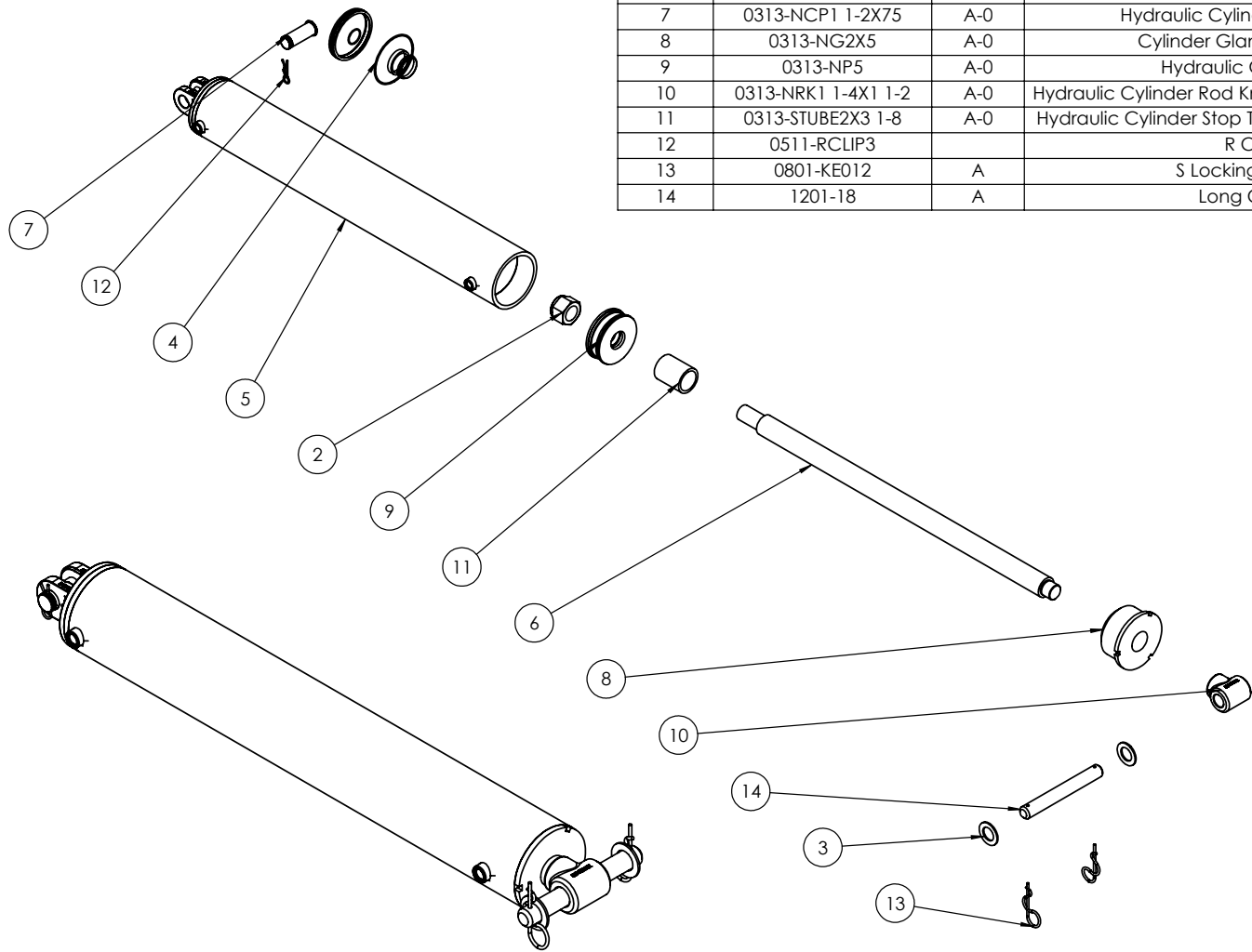
Part Number	Description	For Machines Built:	Revision
<b>0311-530STSP</b>	5" Bore 30" Stroke 3 1/8" S/Tube 2" Rod Hydraulic Cylinder		

ITEM NO.	PART NUMBER	Revision	DESCRIPTION	QTY.
1	0113-MB 3530DU		35 ID x 30mm DU Bush	4
2	0211-1265		M12 x 65 grade 8.8 ZP Bolt	2
3	0211-SH6170		Socket Head Bolt M6 x 170 zp	8
4	0221-NYL12		Nyloc Nut M12	2
5	0221-NYL6		Nyloc Nut M6	8
6	0261-PINC1363		Cotter Pin M13 x 63	2
7	0311-530STSP		5" Bore 30" Stroke 3 1/8" S/Tube 2" Rod Hydraulic Cylinder	2
8	0800-296	A	Wing light bracket	2
9	0801-10-08-235	A-1	PCH Wing Pivot Pin	2
10	1201-19	A	Long Cylinder Pin Bearing Bush	4
11	1646-05	C-2	46' LH Inner Wing Frame	1

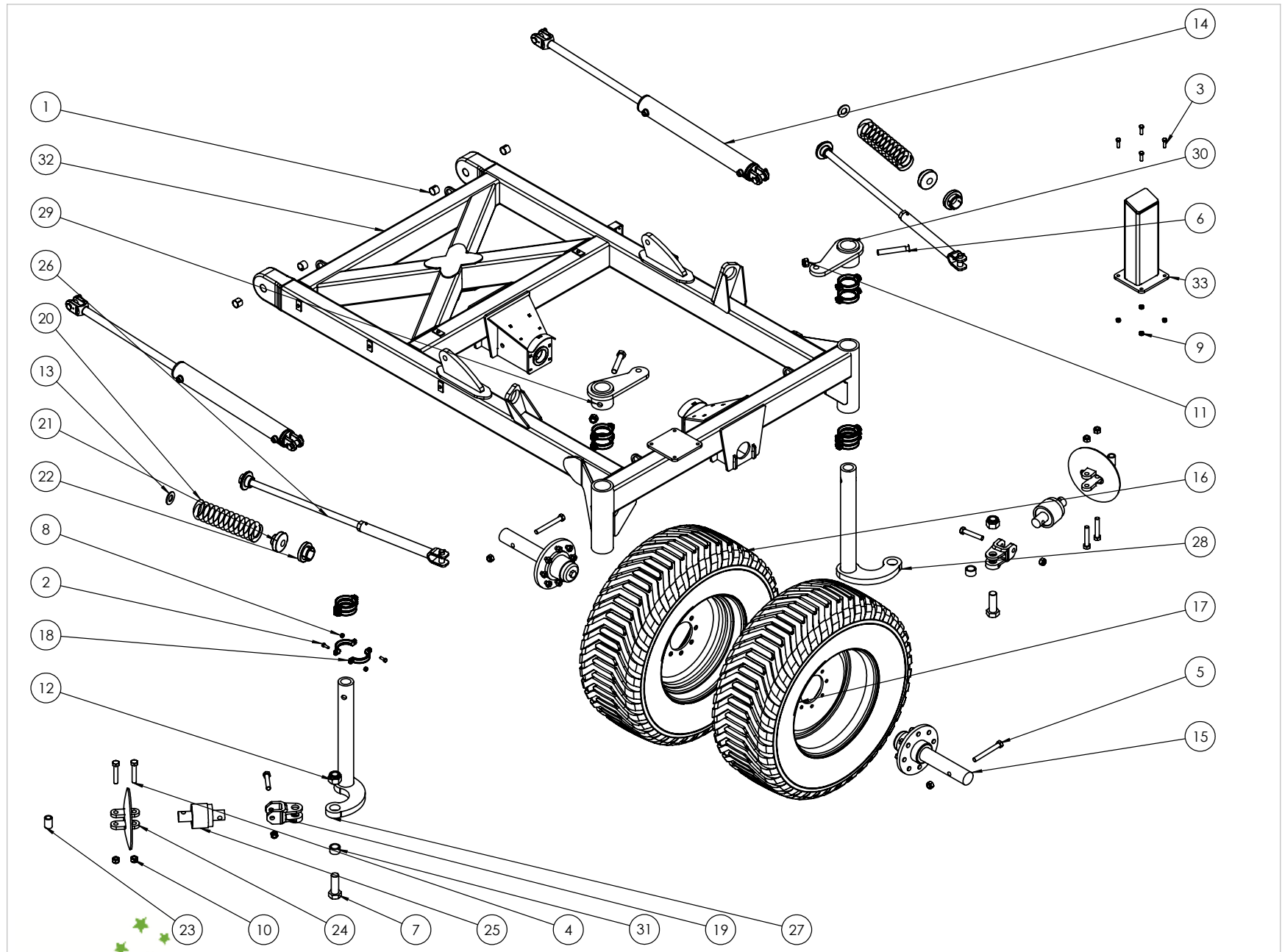


Part Number	Description	For Machines Built:	Revision
<b>1646-05A</b>	46' LH Inner Wing Assembly		C-0

ITEM NO.	PART NUMBER	Revision	DESCRIPTION	QTY.
1	0181-GN1-8	A	Grease Nipple 1/8" BSP	1
2	0223-NYL11-2		Nyloc Nut 1 1/2" UNF	1
3	0232-F11-4		Washer Flat 1 1/4"	2
4	0312-N5	A-1	Nordon 5" Cylinder Seal Kit	1
5	0313-530ST-BSP		5" Bore 30" Stroke 3 1/8" S/Tube 2" Rod Hydraulic Cylinder	1
6	0313-530ST-R	A-0	Rod for 5" Bore 30" Stroke 3 1/8" S/Tube Cylinder	1
7	0313-NCP1 1-2X75	A-0	Hydraulic Cylinder Pin 1 1/2" x 75mm	1
8	0313-NG2X5	A-0	Cylinder Gland 2" Rod x 5" Barrel	1
9	0313-NP5	A-0	Hydraulic Cylinder Piston 5"	1
10	0313-NRK1 1-4X1 1-2	A-0	Hydraulic Cylinder Rod Knuckle 1 1/4" Pin x 1 1/2" Thread	1
11	0313-STUBE2X3 1-8	A-0	Hydraulic Cylinder Stop Tube 2" ID x 3 1/8" (80mm) Long	1
12	0511-RCLIP3		R Clip 3mm	1
13	0801-KE012	A	S Locking Pin Clip 5mm	2
14	1201-18	A	Long Cylinder Pin	1



Part Number	Description	For Machines Built:	Revision
<b>0311-530STSP</b>	5" Bore 30" Stroke 3 1/8" S/Tube 2" Rod Hydraulic Cylinder		



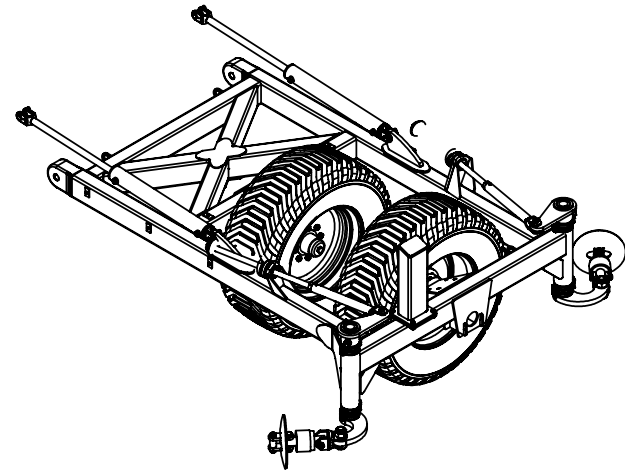
Part Number  
**1646-06A**

Description  
**46' RH Outer Wing Assembly**

For Machines Built:

Revision  
**F-0**

ITEM NO.	PART NUMBER	Revision	DESCRIPTION	QTY.
1	0113-MB 3530DU		35 ID x 30mm DU Bush	4
2	0211-1030	A	M10 x 30 grade 8.8 ZP Bolt	20
3	0211-1240		M12 x 40 grade 8.8 ZP Bolt	4
4	0211-20110 ST	A	M20 x 110 grade 10.9 ZP Short Thread Bolt	6
5	0211-20170		M20 x 170 grade 8.8 ZP Bolt	2
6	0211-24140	A	M24 x 140 grade 8.8 zp Bolt	2
7	0211-36105		M36 x 105 grade 8.8 zp Bolt	2
8	0221-NYL10		Nyloc Nut M10	20
9	0221-NYL12		Nyloc Nut M12	4
10	0221-NYL20		Nyloc Nut M20	8
11	0221-NYL24		Nyloc Nut M24	2
12	0221-NYL36		Nyloc Nut M36	2
13	0232-HT11-4		Washer High Tensile 1 1/4"	2
14	0311-324SP		3" Bore x 24" Stroke 1.5" Rod Hydraulic Cylinder Side Port	2
15	0733-SH27596880	A	2.75"R 6 Tonne 8 on 8" PCH Hub and Stub Complete	2
16	0751-400-60-22.5TR		400/60-22.5 Tyre on 8 on 8" PCD Rim	1
17	0751-400-60-22.5TR		400/60-22.5 Tyre on 8 on 8" PCD Rim	1
18	0801-CS25	A-1	Cast 25mm Spacing	20
19	0801-FC21	A-2	Forged Clevis 21mm Bolt Hole	2
20	0801-K2455350	A	Heavy Duty Coil Spring 24mm	2
21	0801-KE0805-3	C-0	Tensioner Cup - Male	2
22	0801-KE0805-4	D	Female Spring Locator	2
23	0801-PCDCS55	A	Tie Plate Bush	2
24	0802-DCTP-20	A	Disc Chain Tie Plate Link 20mm	2
25	0802-PCHB55	A	20mm Bolt Swivel Unit	2
26	0802-PCHTA	C-1	Chain Tension Adjustor	2
27	0810-24F	B-1	LH Dropleg No Clevis	1
28	0810-25F	B-1	RH Dropleg No Clevis	1
29	0810-26	B	LH Chain Adjusting Lug	1
30	0810-27	B	RH Chain Adjusting Lug	1
31	1501-365033-SS	B-0	Stainless Steel Wear Bush	2
32	1646-06	F-1	46' RH Outer Wing Frame	1
33	1646-06P	B-0	46' Outer Wing Post	1



Part Number  
**1646-06A**

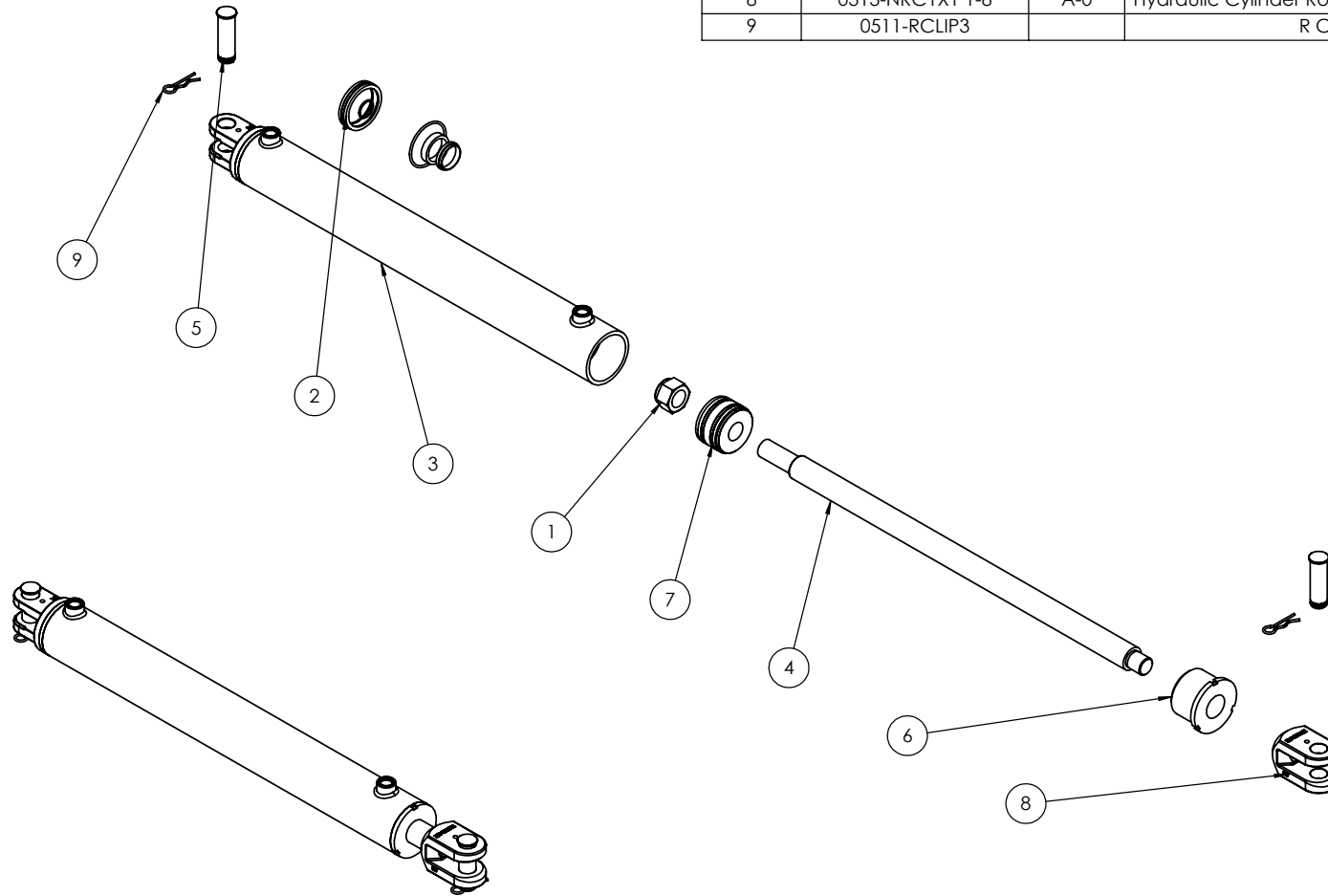
Description  
**46' RH Outer Wing Assembly**

For Machines Built:

Revision

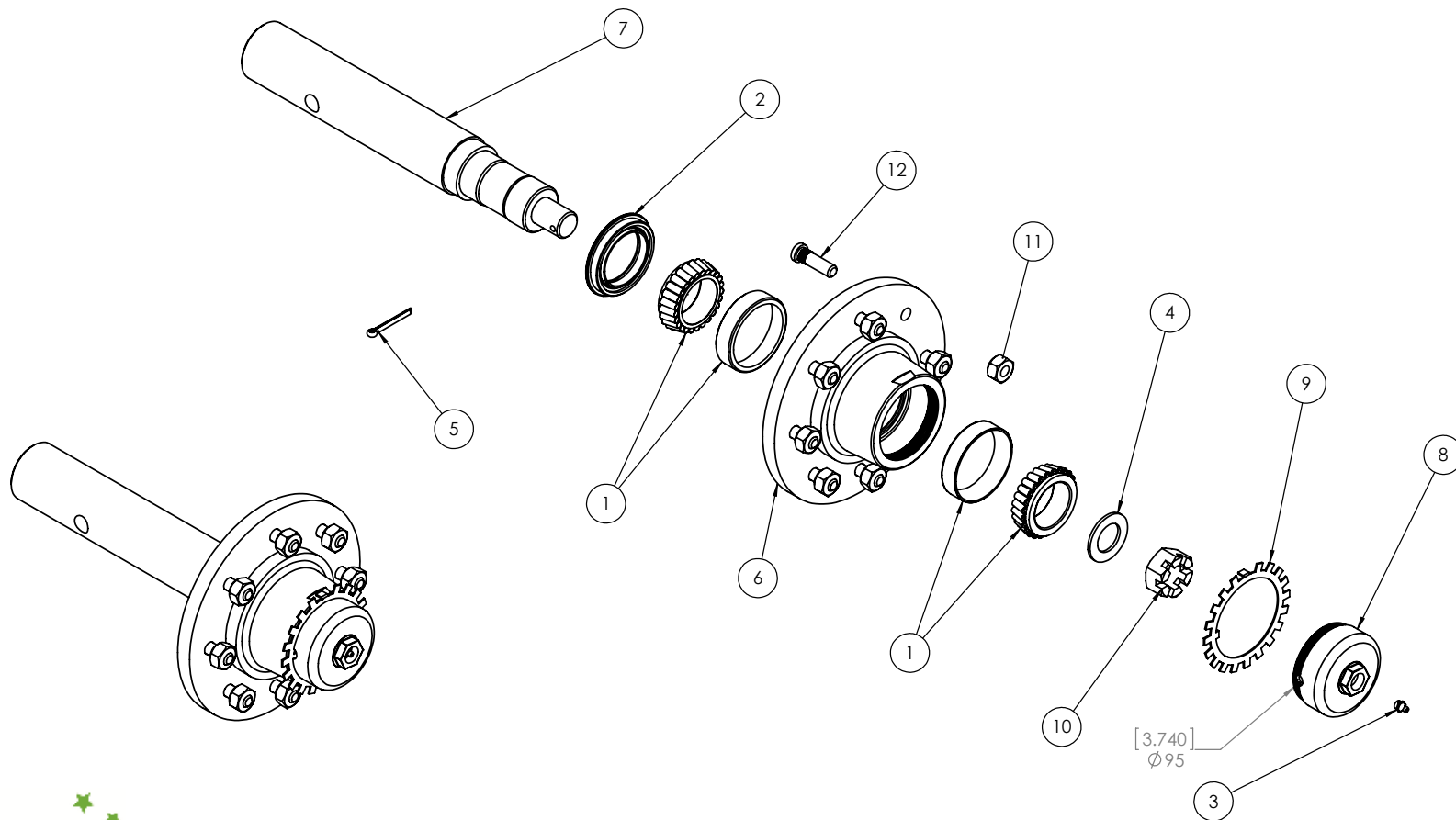
**F-0**

ITEM NO.	PART NUMBER	Revision	DESCRIPTION	QTY.
1	0223-NYL11-8		Nyloc Nut 1 1/8" UNF	1
2	0312-N3	A-0	Nordon 3.5" Cylinder Seal Kit	1
3	0313-324-BSP		3" x 24" Hydraulic Cylinder Barrel	1
4	0313-324-R	A-0	Rod for 3" x 24" Hydraulic Cylinder	1
5	0313-NCP1X75	A-0	Hydraulic Cylinder Pin 1" x 75mm	2
6	0313-NG15X3	A-0	Cylinder Gland 1.5" Rod x 3" Barrel	1
7	0313-NP3	A-0	Hydraulic Cylinder Piston 3"	1
8	0313-NRC1X1 1-8	A-0	Hydraulic Cylinder Rod Clevis 1" Pin 1 1/8" Thread	1
9	0511-RCLIP3		R Clip 3mm	2



Part Number <b>0311-324SP</b>	Description 3" Bore x 24" Stroke 1.5" Rod Hydraulic Cylinder Side Port	For Machines Built:	Revision
----------------------------------	---------------------------------------------------------------------------	---------------------	----------

ITEM NO.	PART NUMBER	Revision	DESCRIPTION	QTY.
1	0111-33011		Bearing 33011 (Cup & Cone)	2
2	0121-AP7M2 906510	A	AP7 Seal 90 x 65 x 10mm	1
3	0181-GN1-8	A	Grease Nipple 1/8" BSP	1
4	0232-F11-4		Washer Flat 1 1/4"	1
5	0261-PINC650		Cotter Pin M6 x 50mm	1
6	0731-H96880	A	6T 8 on 8" PCD (Hub only)	1
7	0732-275R6TKE	A	6T 2.75"R x 460mm Stub	1
8	0741-D-CAP6T	A	95mm Cast Iron Screw in Cap	1
9	0741-LW6T	A	Lock Washer 6T Hub	1
10	0741-NCAST114	A	Castle Nut 1 1/4" x 12	1
11	0741-NW9-16	A	Wheel Nut 9/16" 90 Deg	8
12	0741-WS9-16	A	Wheel Stud 9/16" UNF	8



Part Number  
**0733-SH27596880**

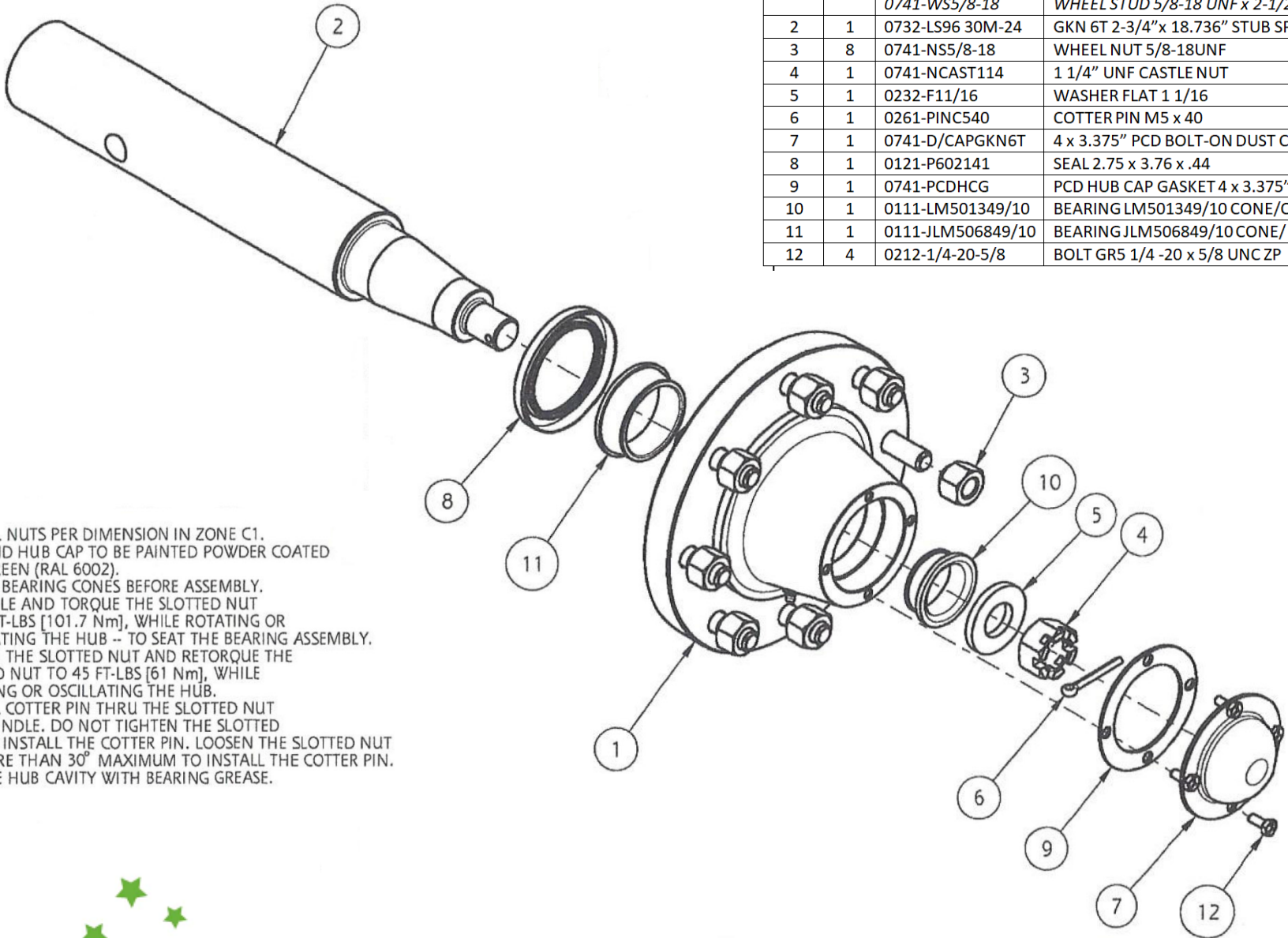
Description  
2.75"R 6 Tonne 8 on 8" PCD Hub & Stub Complete

For Machines Built:  
65'(112043-65)-

Revision  
**A**



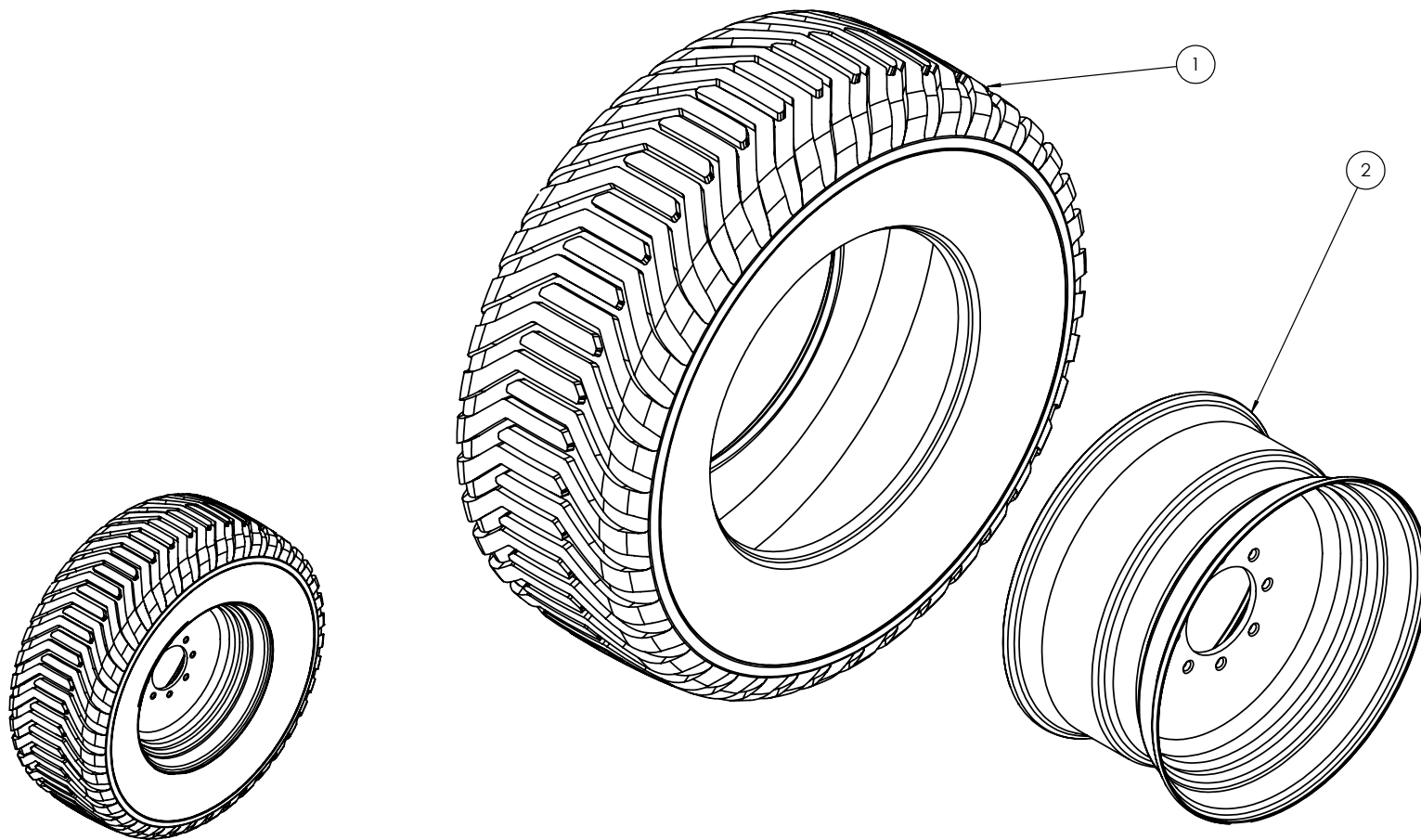
0733-LG6080067			
POS	QTY	PART NO.	DESCRIPTION
1	1	0731-H6080067	GKN 6T 8 ON 8" HUB ONLY
		0741-WS5/8-18	WHEEL STUD 5/8-18 UNF x 2-1/2
2	1	0732-LS96 30M-24	GKN 6T 2-3/4" x 18.736" STUB SPINDLE
3	8	0741-NS5/8-18	WHEEL NUT 5/8-18UNF
4	1	0741-NCAS114	1 1/4" UNF CASTLE NUT
5	1	0232-F11/16	WASHER FLAT 1 1/16
6	1	0261-PINC540	COTTER PIN M5 x 40
7	1	0741-D/CAPGKN6T	4 x 3.375" PCD BOLT-ON DUST CAP
8	1	0121-P602141	SEAL 2.75 x 3.76 x .44
9	1	0741-PCDHCG	PCD HUB CAP GASKET 4 x 3.375"
10	1	0111-LM501349/10	BEARING LM501349/10 CONE/CUP
11	1	0111-JLM506849/10	BEARING JLM506849/10 CONE/CUP
12	4	0212-1/4-20-5/8	BOLT GR5 1/4 - 20 x 5/8 UNC ZP



- NOTES:
- 1) INSTALL NUTS PER DIMENSION IN ZONE C1.
  - 2) HUB AND HUB CAP TO BE PAINTED POWDER COATED LEAF GREEN (RAL 6002).
  - 3) GREASE BEARING CONES BEFORE ASSEMBLY.
  - 4) ASSEMBLE AND TORQUE THE SLOTTED NUT TO 75 FT-LBS [101.7 Nm], WHILE ROTATING OR OSCILLATING THE HUB -- TO SEAT THE BEARING ASSEMBLY.
  - 5) LOOSEN THE SLOTTED NUT AND RETORQUE THE SLOTTED NUT TO 45 FT-LBS [61 Nm], WHILE ROTATING OR OSCILLATING THE HUB.
  - 6) INSTALL COTTER PIN THRU THE SLOTTED NUT AND SPINDLE. DO NOT TIGHTEN THE SLOTTED NUT TO INSTALL THE COTTER PIN. LOOSEN THE SLOTTED NUT NO MORE THAN 30° MAXIMUM TO INSTALL THE COTTER PIN.
  - 7) FILL THE HUB CAVITY WITH BEARING GREASE.

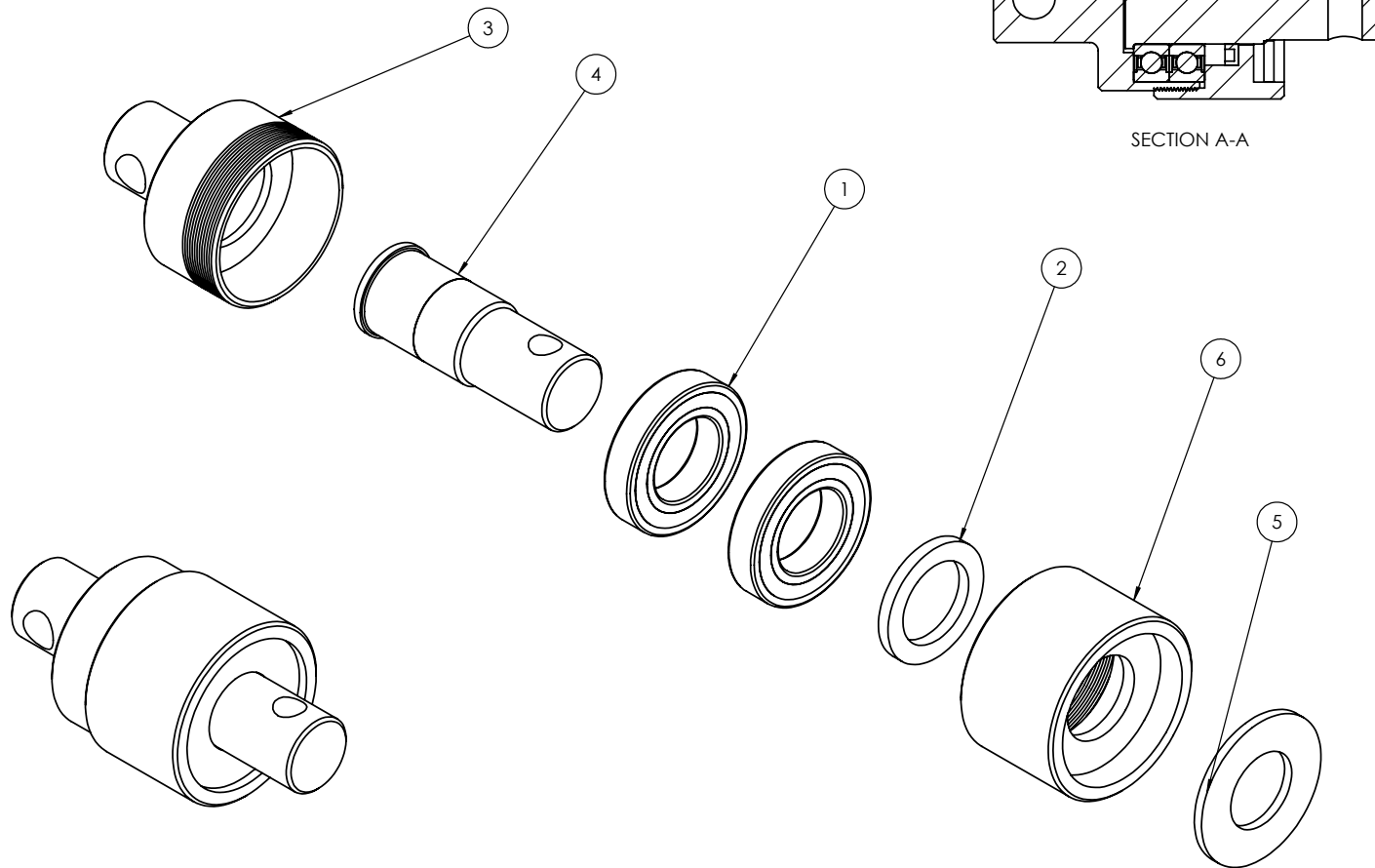


ITEM NO.	PART NUMBER	Revision	DESCRIPTION	QTY.
1	0711-400-60-22.5		Tyre Only 400/60-22.5	1
2	0721-22.5X11.75		Rim Only 22.5" Diameter 11.75" Wide, 8 on 8" PCD, 153mm Bore, 0 Offset	1



Part Number	Description	For Machines Built:	Revision
<b>0751-400-60-22.5TR</b>	400/60-22.5 Tyre on 8 on 8" PCD Rim		

ITEM NO.	PART NUMBER	Revision	DESCRIPTION	QTY.
1	0112-6211		Bearing 6211 2RS	2
2	0121-TC12616		TC12616 Seal 55mm x 80mm x 8mm	1
3	0801-PCHB55H	A	Housing to Suit PCHB55 Swivel	1
4	0801-PCHB55S	A-1	Shaft To Suit PCHB55 Swivel	1
5	0801-PCHB55WA	B-0	Washer To Suit PCHB55 Swivel	1
6	0801-PCHB55C	A	Cap To Suit PCHB55 Swivel	1

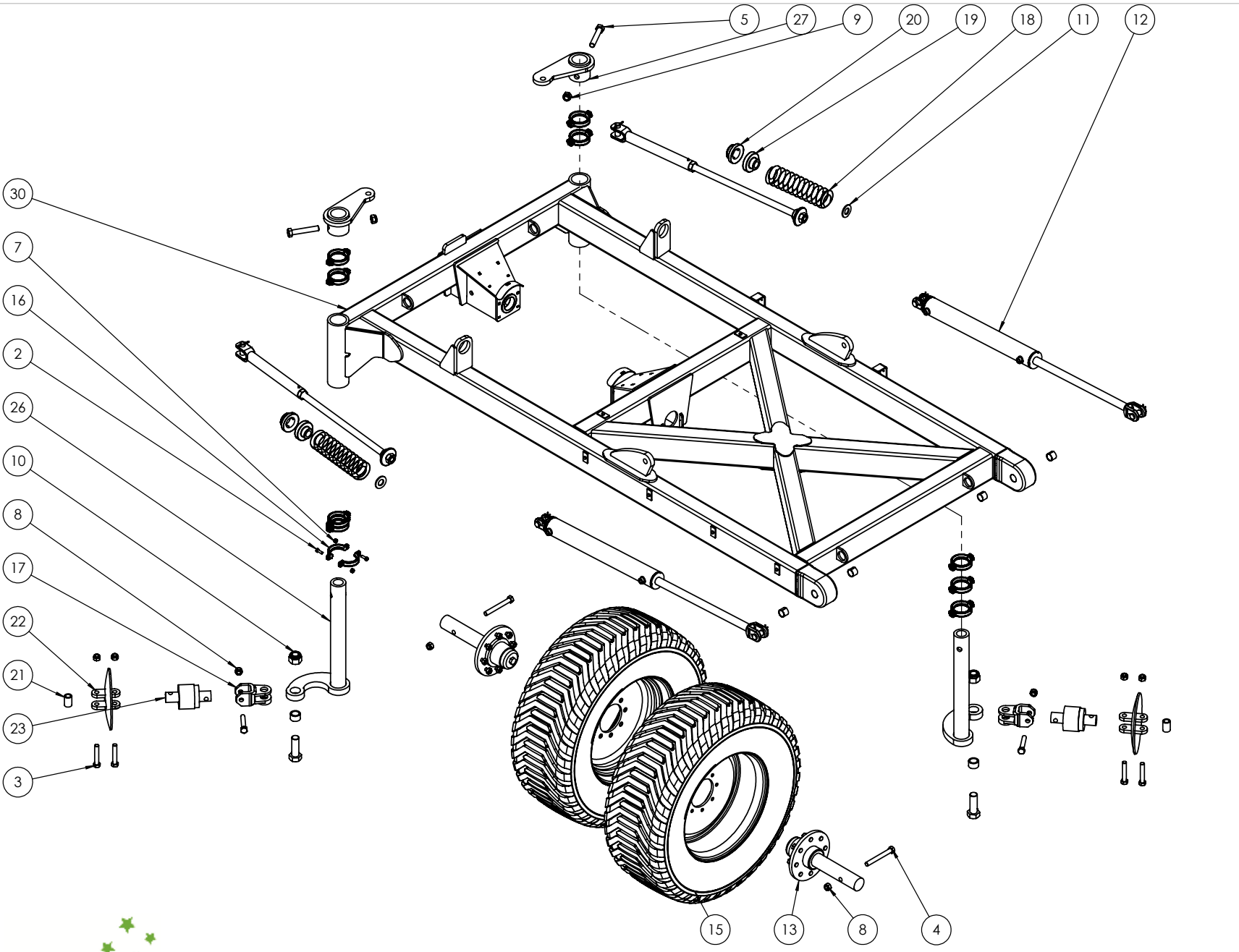


Part Number  
**0802-PCHB55**

Description  
**20mm Bolt Swivel Unit**

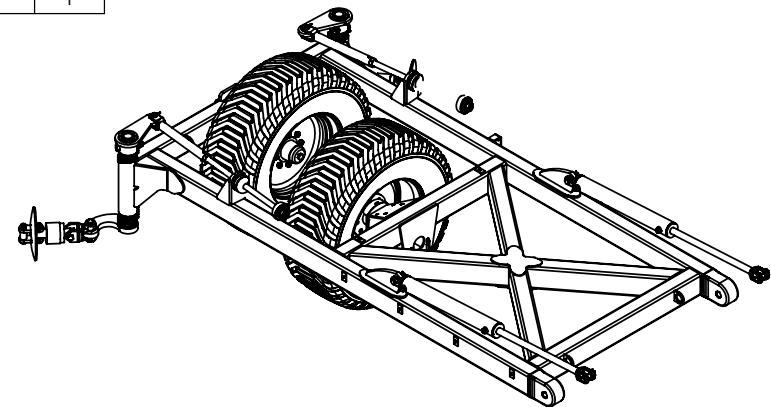
For Machines Built:  
2002-

Revision  
**A-1**



Part Number <b>1646-07A</b>	Description <b>46' LH Outer Wing Assembly</b>	For Machines Built:	Revision <b>E-0</b>
--------------------------------	--------------------------------------------------	---------------------	------------------------

ITEM NO.	PART NUMBER	Revision	DESCRIPTION	QTY.
1	0113-MB 3530DU		35 ID x 30mm DU Bush	4
2	0211-1030	A	M10 x 30 grade 8.8 ZP Bolt	20
3	0211-20110 ST	A	M20 x 110 grade 10.9 ZP Short Thread Bolt	6
4	0211-20170		M20 x 170 grade 8.8 ZP Bolt	2
5	0211-24140	A	M24 x 140 grade 8.8 zp Bolt	2
6	0211-36105		M36 x 105 grade 8.8 zp Bolt	2
7	0221-NYL10		Nyloc Nut M10	20
8	0221-NYL20		Nyloc Nut M20	8
9	0221-NYL24		Nyloc Nut M24	2
10	0221-NYL36		Nyloc Nut M36	2
11	0232-HT11-4		Washer High Tensile 1 1/4"	2
12	0311-324SP		3" Bore x 24" Stroke 1.5" Rod Hydraulic Cylinder Side Port	2
13	0733-SH27596880	A	2.75"R 6 Tonne 8 on 8" PCH Hub and Stub Complete	2
14	0751-400-60-22.5TR		400/60-22.5 Tyre on 8 on 8" PCD Rim	1
15	0751-400-60-22.5TR		400/60-22.5 Tyre on 8 on 8" PCD Rim	1
16	0801-CS25	A-1	Cast 25mm Spacing	20
17	0801-FC21	A-2	Forged Clevis 21mm Bolt Hole	2
18	0801-K2455350	A	Heavy Duty Coil Spring 24mm	2
19	0801-KE0805-3	C-0	Tensioner Cup - Male	2
20	0801-KE0805-4	D	Female Spring Locator	2
21	0801-PCDCS55	A	Tie Plate Bush	2
22	0802-DCTP-20	A	Disc Chain Tie Plate Link 20mm	2
23	0802-PCHB55	A	20mm Bolt Swivel Unit	2
24	0802-PCHTA	C-1	Chain Tension Adjustor	2
25	0810-24F	B-1	LH Dropleg No Clevis	1
26	0810-25F	B-1	RH Dropleg No Clevis	1
27	0810-26	B	LH Chain Adjusting Lug	1
28	0810-27	B	RH Chain Adjusting Lug	1
29	1501-365033-SS	B-0	Stainless Steel Wear Bush	2
30	1646-07	E-2	46' LH Outer Wing Frame	1



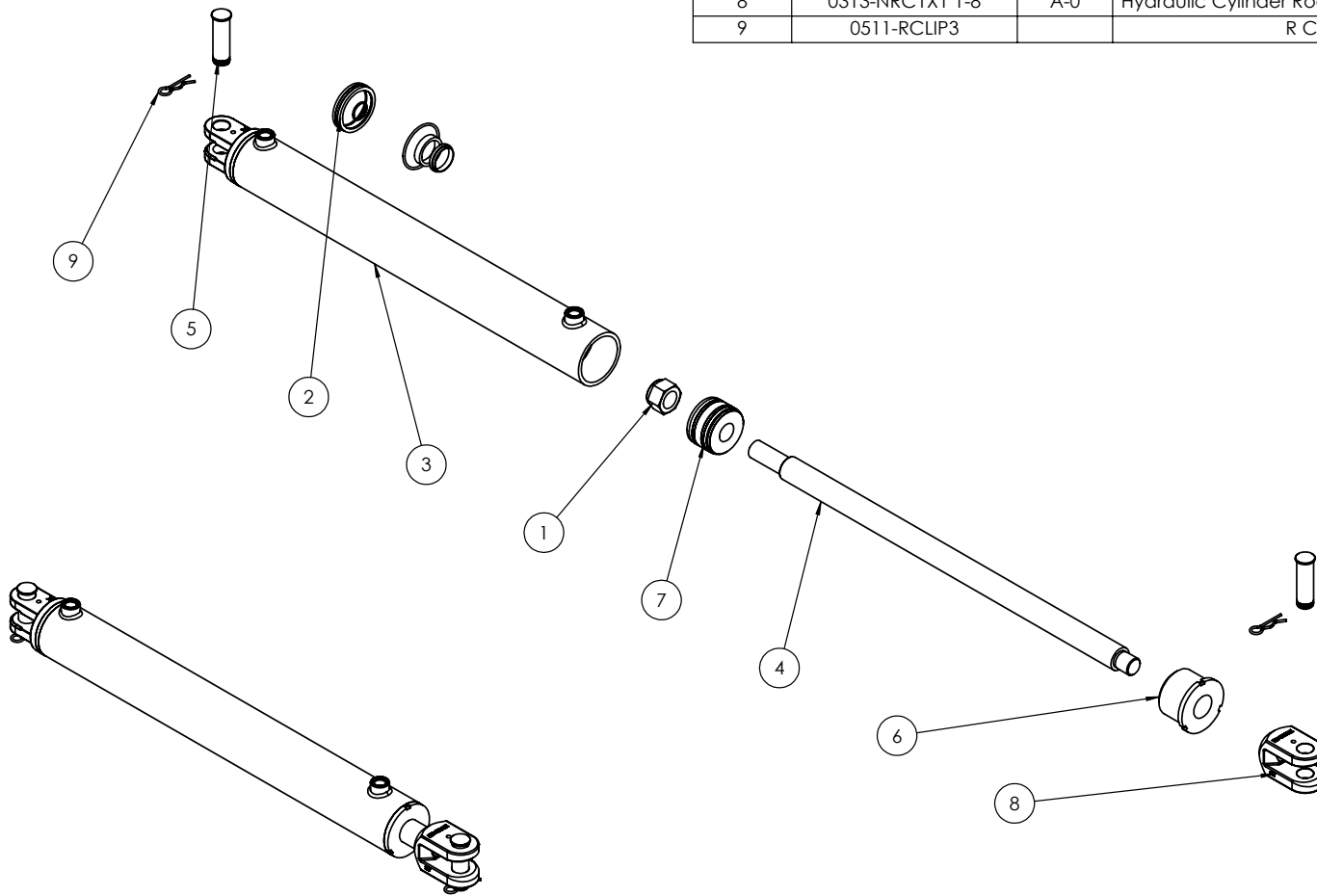
Part Number  
**1646-07A**

Description  
**46' LH Outer Wing Assembly**

For Machines Built:

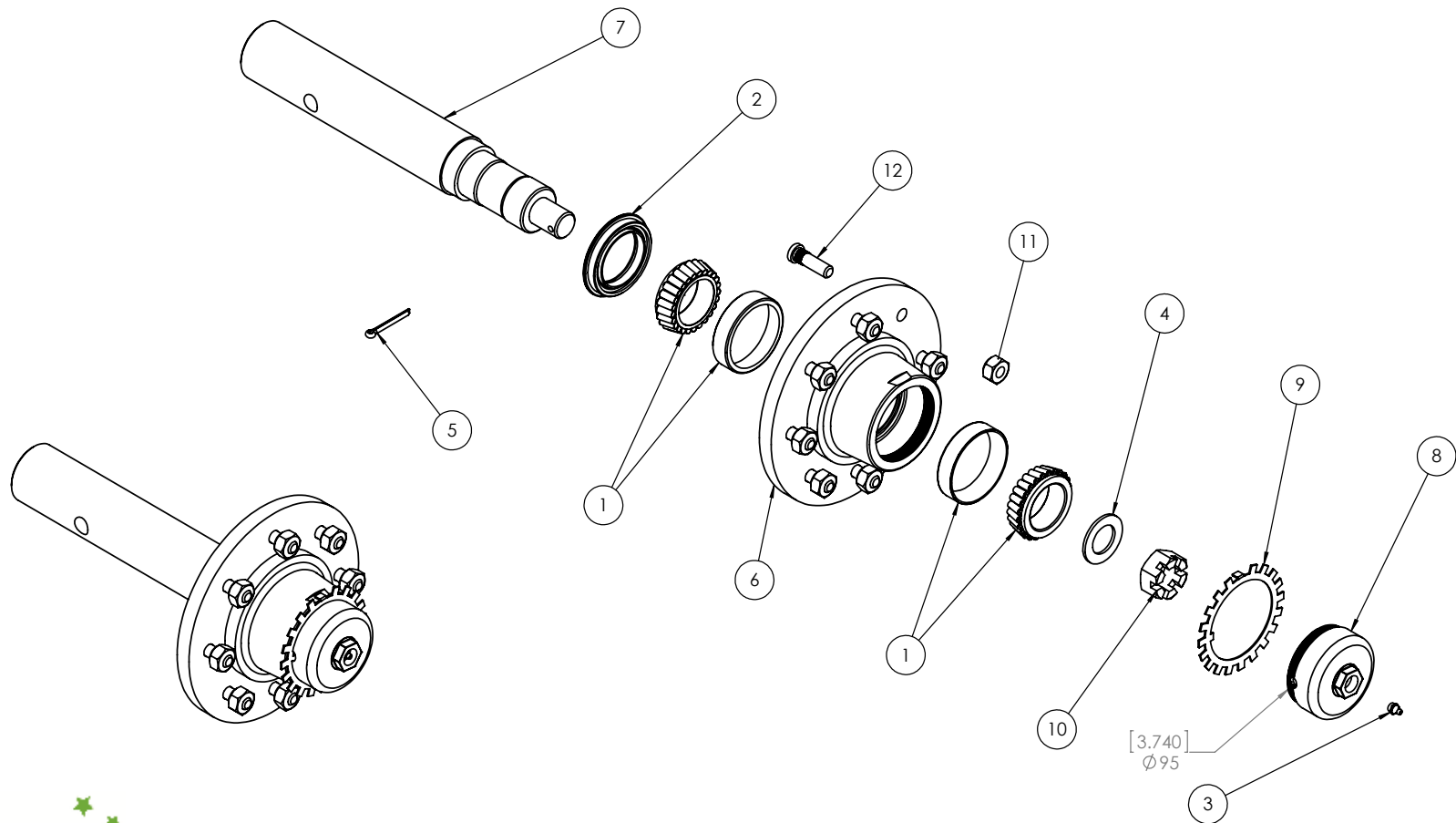
Revision  
**E-0**

ITEM NO.	PART NUMBER	Revision	DESCRIPTION	QTY.
1	0223-NYL11-8		Nyloc Nut 1 1/8" UNF	1
2	0312-N3	A-0	Nordon 3.5" Cylinder Seal Kit	1
3	0313-324-BSP		3" x 24" Hydraulic Cylinder Barrel	1
4	0313-324-R	A-0	Rod for 3" x 24" Hydraulic Cylinder	1
5	0313-NCP1X75	A-0	Hydraulic Cylinder Pin 1" x 75mm	2
6	0313-NG15X3	A-0	Cylinder Gland 1.5" Rod x 3" Barrel	1
7	0313-NP3	A-0	Hydraulic Cylinder Piston 3"	1
8	0313-NRC1X1 1-8	A-0	Hydraulic Cylinder Rod Clevis 1" Pin 1 1/8" Thread	1
9	0511-RCLIP3		R Clip 3mm	2



Part Number <b>0311-324SP</b>	Description 3" Bore x 24" Stroke 1.5" Rod Hydraulic Cylinder Side Port	For Machines Built:	Revision
----------------------------------	---------------------------------------------------------------------------	---------------------	----------

ITEM NO.	PART NUMBER	Revision	DESCRIPTION	QTY.
1	0111-33011		Bearing 33011 (Cup & Cone)	2
2	0121-AP7M2 906510	A	AP7 Seal 90 x 65 x 10mm	1
3	0181-GN1-8	A	Grease Nipple 1/8" BSP	1
4	0232-F11-4		Washer Flat 1 1/4"	1
5	0261-PINC650		Cotter Pin M6 x 50mm	1
6	0731-H96880	A	6T 8 on 8" PCD (Hub only)	1
7	0732-275R6TKE	A	6T 2.75"R x 460mm Stub	1
8	0741-D-CAP6T	A	95mm Cast Iron Screw in Cap	1
9	0741-LW6T	A	Lock Washer 6T Hub	1
10	0741-NCAST114	A	Castle Nut 1 1/4" x 12	1
11	0741-NW9-16	A	Wheel Nut 9/16" 90 Deg	8
12	0741-WS9-16	A	Wheel Stud 9/16" UNF	8



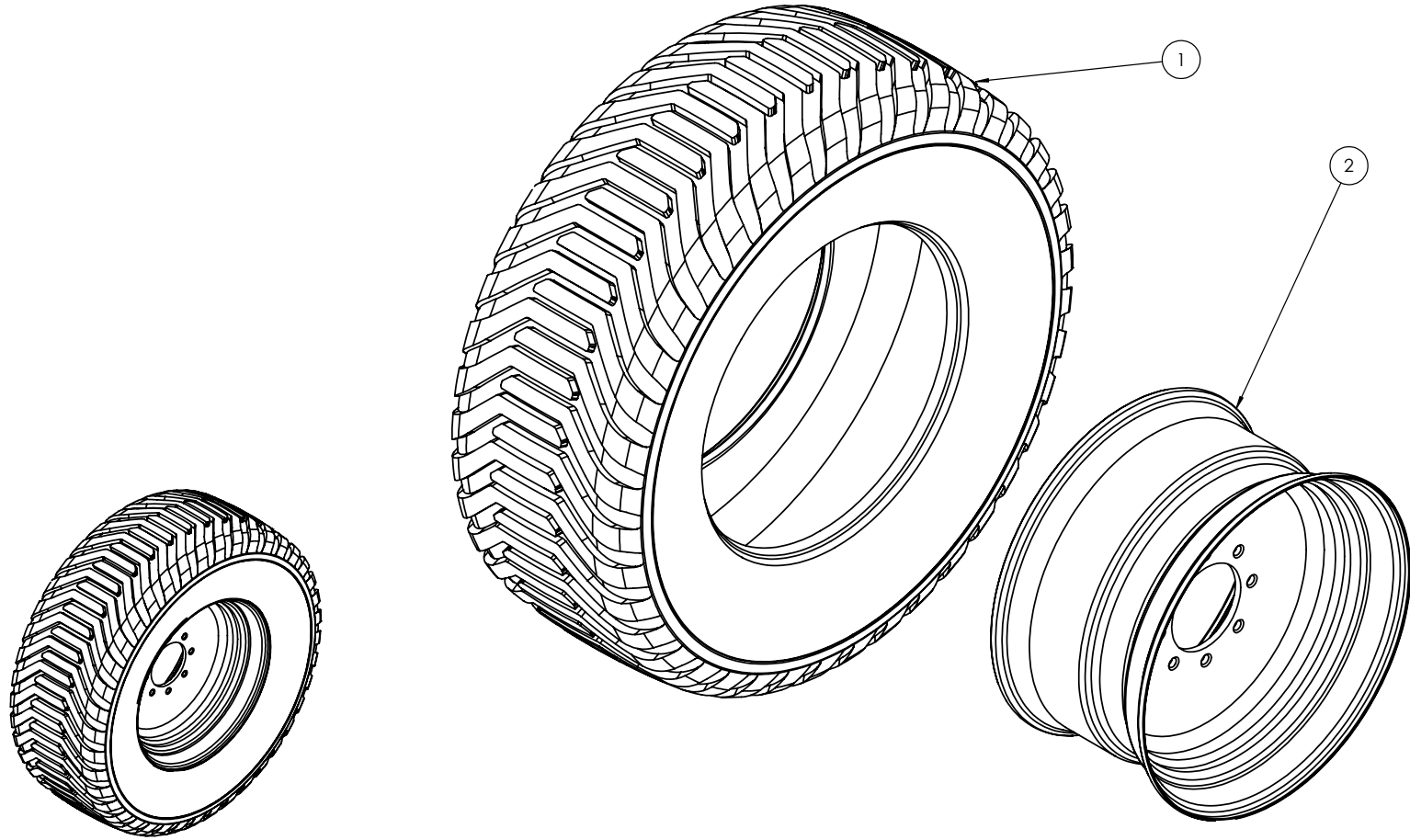
Part Number  
**0733-SH27596880**

Description  
2.75"R 6 Tonne 8 on 8" PCD Hub & Stub Complete

For Machines Built:  
65'(112043-65)-

Revision  
**A**

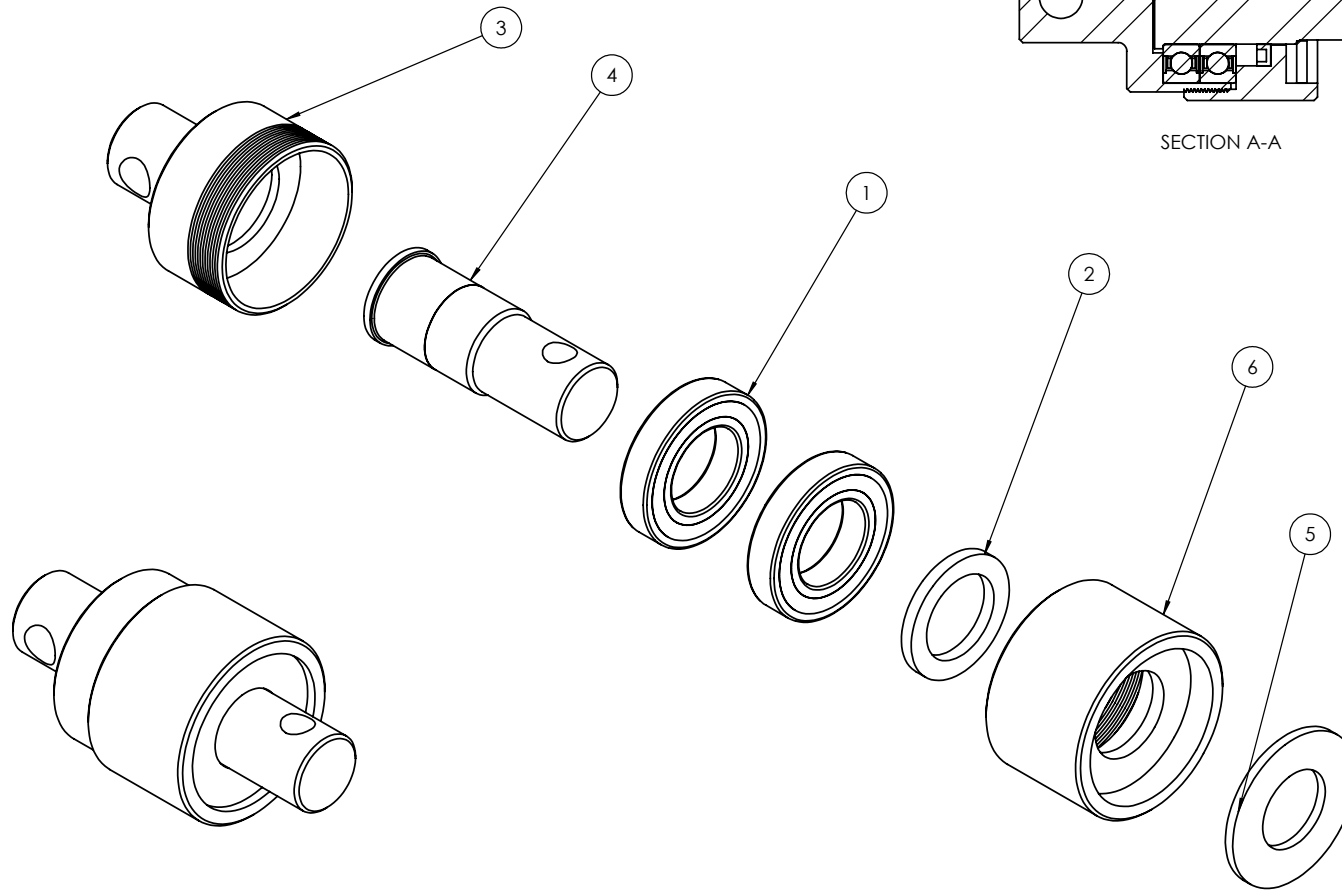
ITEM NO.	PART NUMBER	Revision	DESCRIPTION	QTY.
1	0711-400-60-22.5		Tyre Only 400/60-22.5	1
2	0721-22.5X11.75		Rim Only 22.5" Diameter 11.75" Wide, 8 on 8" PCD, 153mm Bore, 0 Offset	1



Part Number	Description	For Machines Built:	Revision
<b>0751-400-60-22.5TR</b>	400/60-22.5 Tyre on 8 on 8" PCD Rim		



ITEM NO.	PART NUMBER	Revision	DESCRIPTION	QTY.
1	0112-6211		Bearing 6211 2RS	2
2	0121-TC12616		TC12616 Seal 55mm x 80mm x 8mm	1
3	0801-PCHB55H	A	Housing to Suit PCHB55 Swivel	1
4	0801-PCHB55S	A-1	Shaft To Suit PCHB55 Swivel	1
5	0801-PCHB55WA	B-0	Washer To Suit PCHB55 Swivel	1
6	0801-PCHB55C	A	Cap To Suit PCHB55 Swivel	1



Part Number  
**0802-PCHB55**

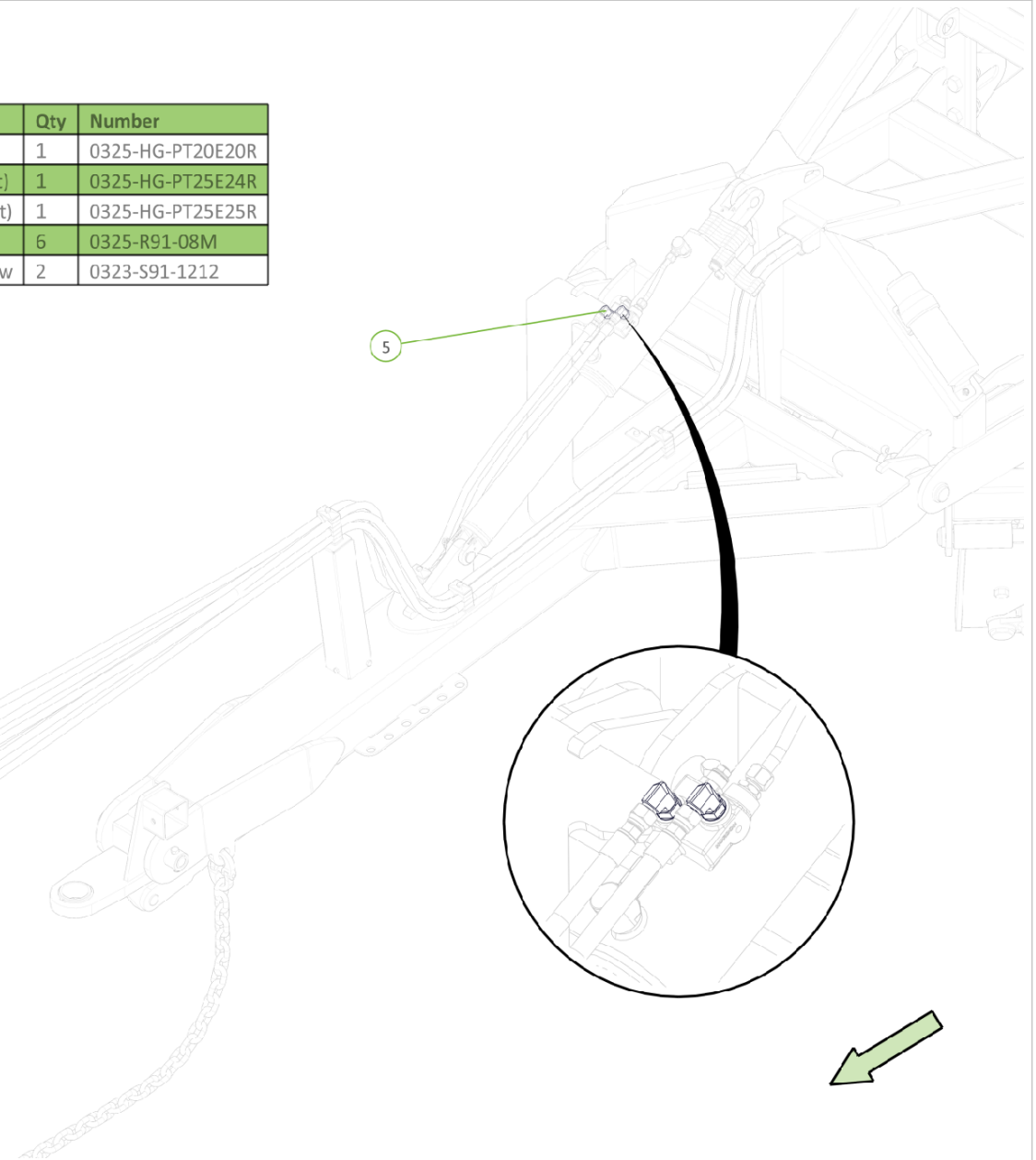
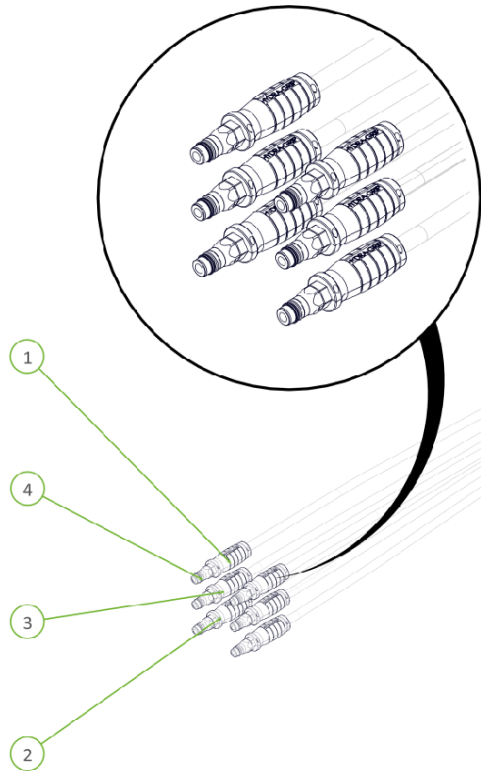
Description  
**20mm Bolt Swivel Unit**

For Machines Built:  
2002-

Revision  
**A-1**

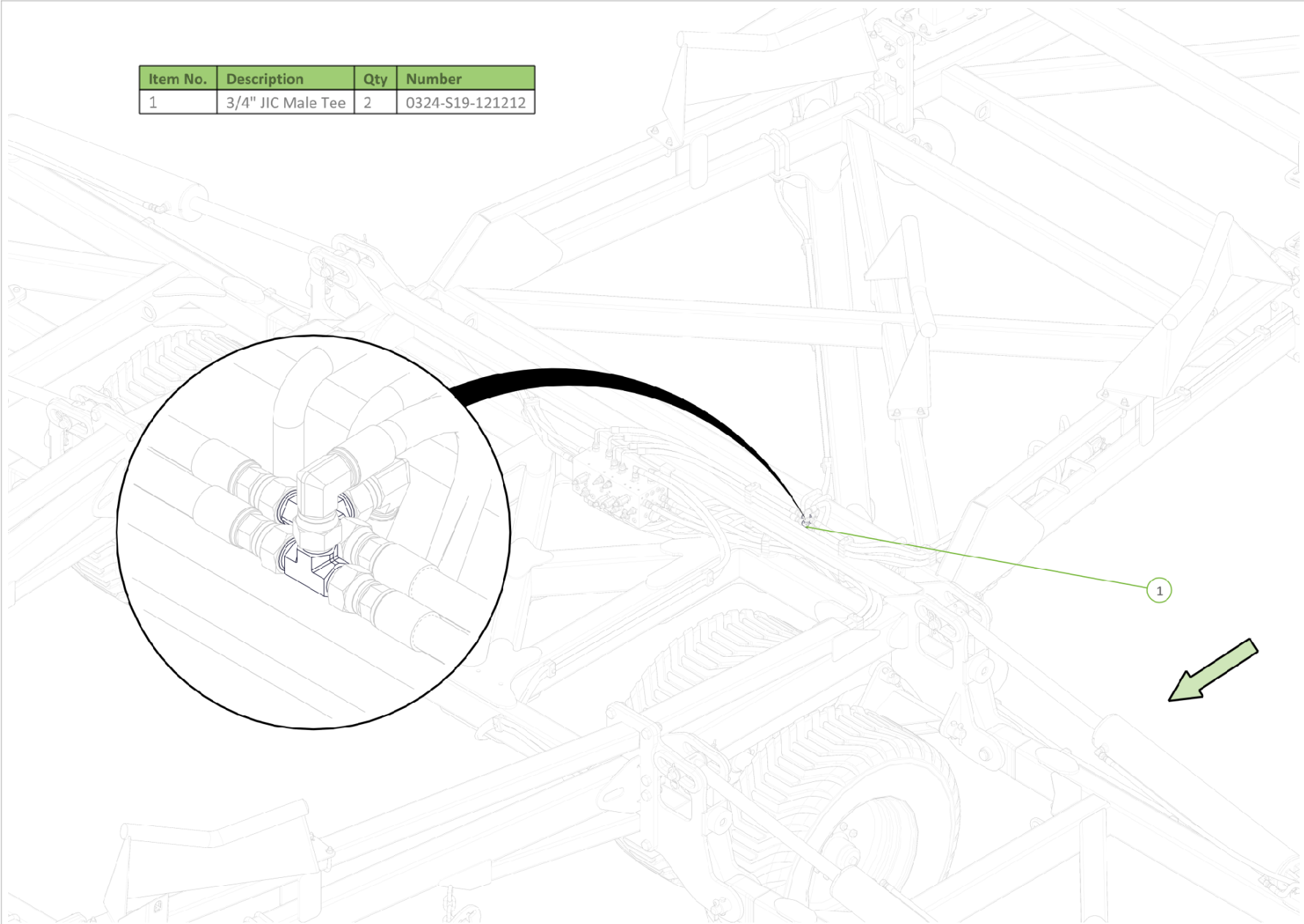
# Hydraulics

Item No.	Description	Qty	Number
1	Blue 1/2" NPT Hydra Grip Pair (Extend/Ret)	1	0325-HG-PT20E20R
2	Green 1/2" NPT Hydra Grip Pair (Extend/Ret)	1	0325-HG-PT25E24R
3	Yellow 1/2" NPT Hydra Grip Pair (Extend/Ret)	1	0325-HG-PT25E25R
4	1/2" BSPP QRC Ball Male Tip	6	0325-R91-08M
5	3/4" JIC Male 3/4" UN O Ring Male 90° Elbow	2	0323-S91-1212

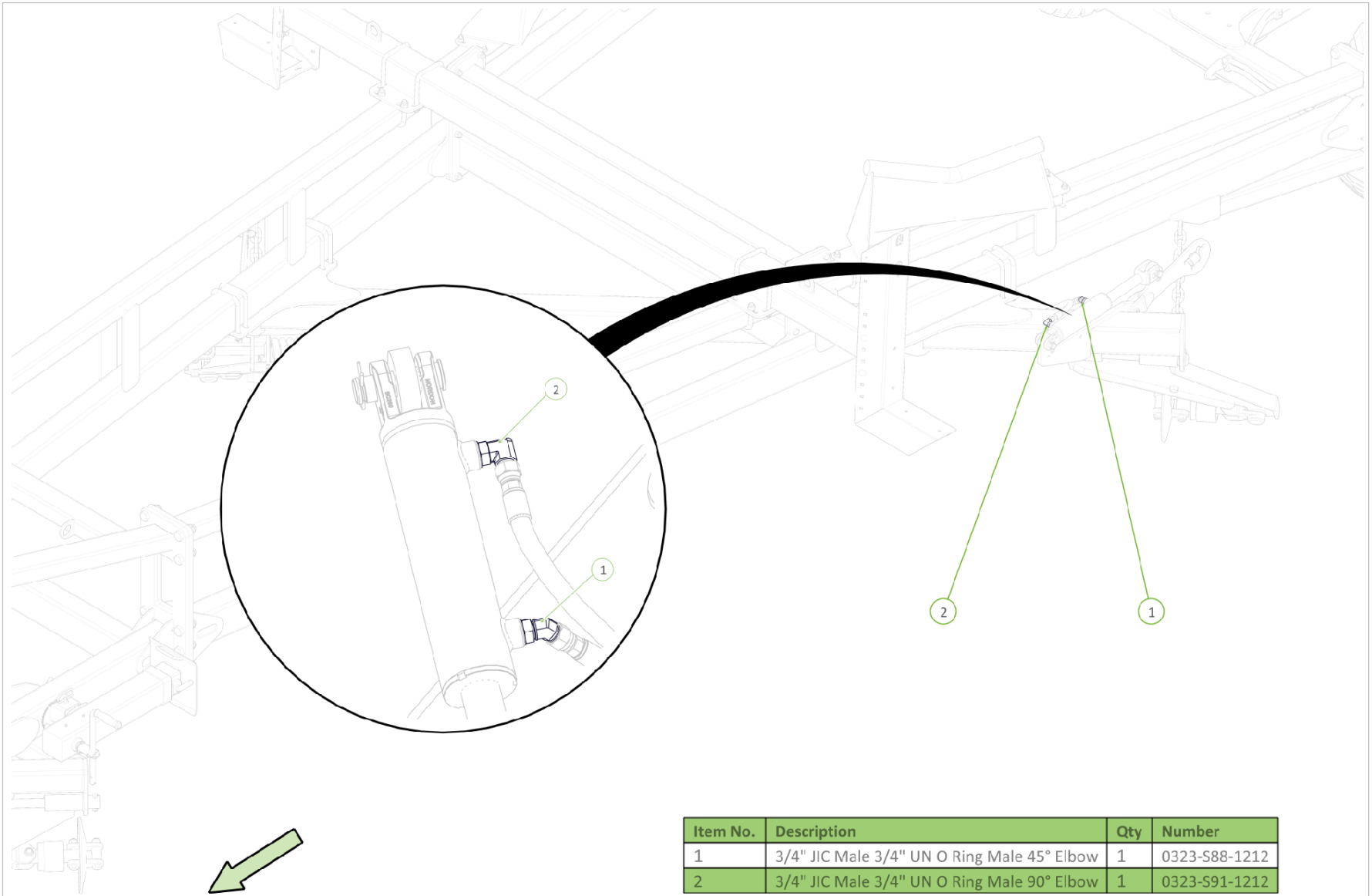


Part Number <b>1646-KDH-Fittings</b>	Description <b>46' - Drawbar Fittings</b>	For Machines Built:	Revision
-----------------------------------------	----------------------------------------------	---------------------	----------

Item No.	Description	Qty	Number
1	3/4" JIC Male Tee	2	0324-S19-121212



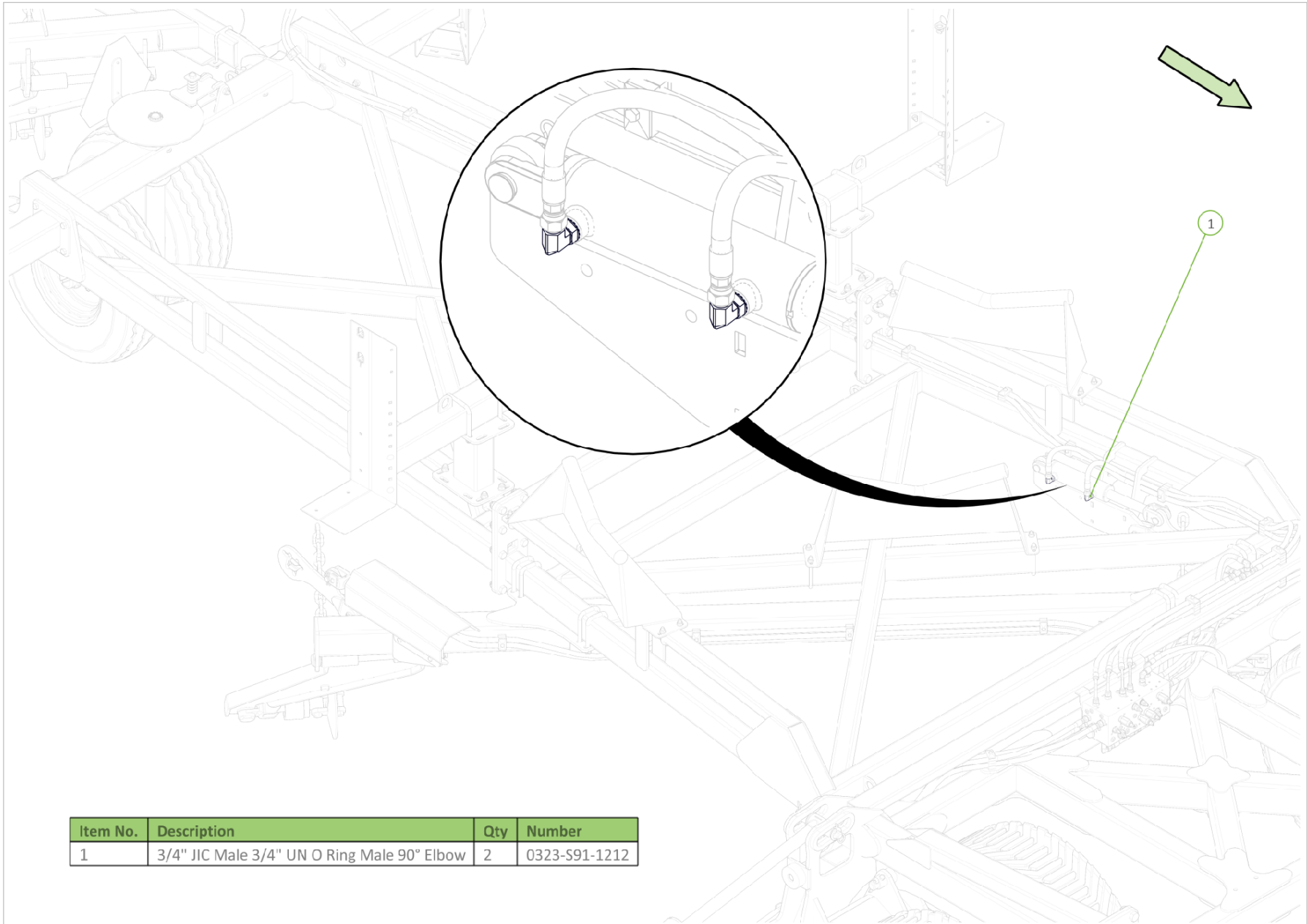
Part Number	Description	For Machines Built:	Revision
<b>1646-KDH-Fittings</b>	46' - Centre Frame Fittings		E



Item No.	Description	Qty	Number
1	3/4" JIC Male 3/4" UN O Ring Male 45° Elbow	1	0323-S88-1212
2	3/4" JIC Male 3/4" UN O Ring Male 90° Elbow	1	0323-S91-1212



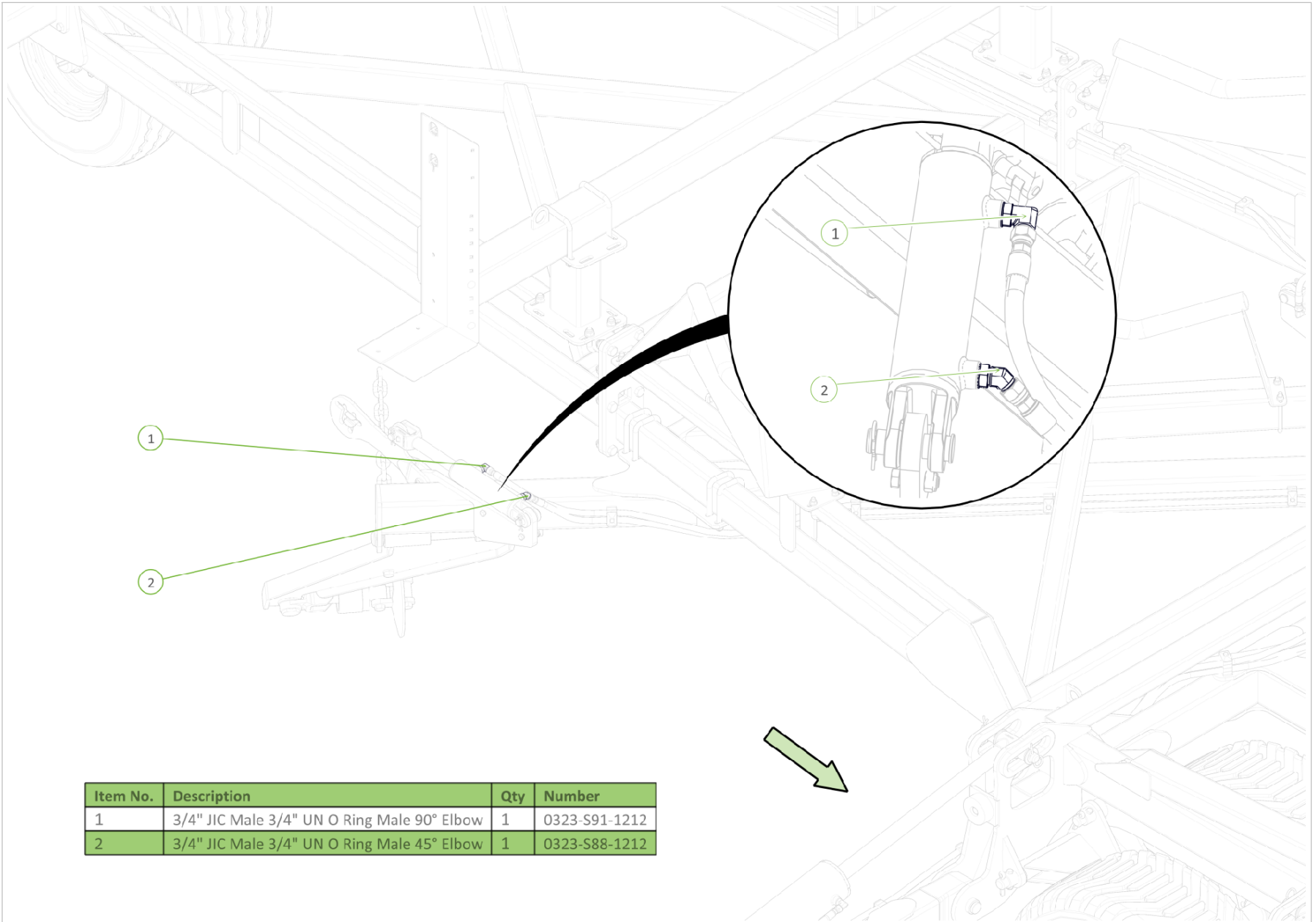
Part Number <b>1646-KDH-Fittings</b>	Description <b>46' - Front Module Fittings</b>	For Machines Built:	Revision <b>E</b>
-----------------------------------------	---------------------------------------------------	---------------------	----------------------



Item No.	Description	Qty	Number
1	3/4" JIC Male 3/4" UN O Ring Male 90° Elbow	2	0323-S91-1212



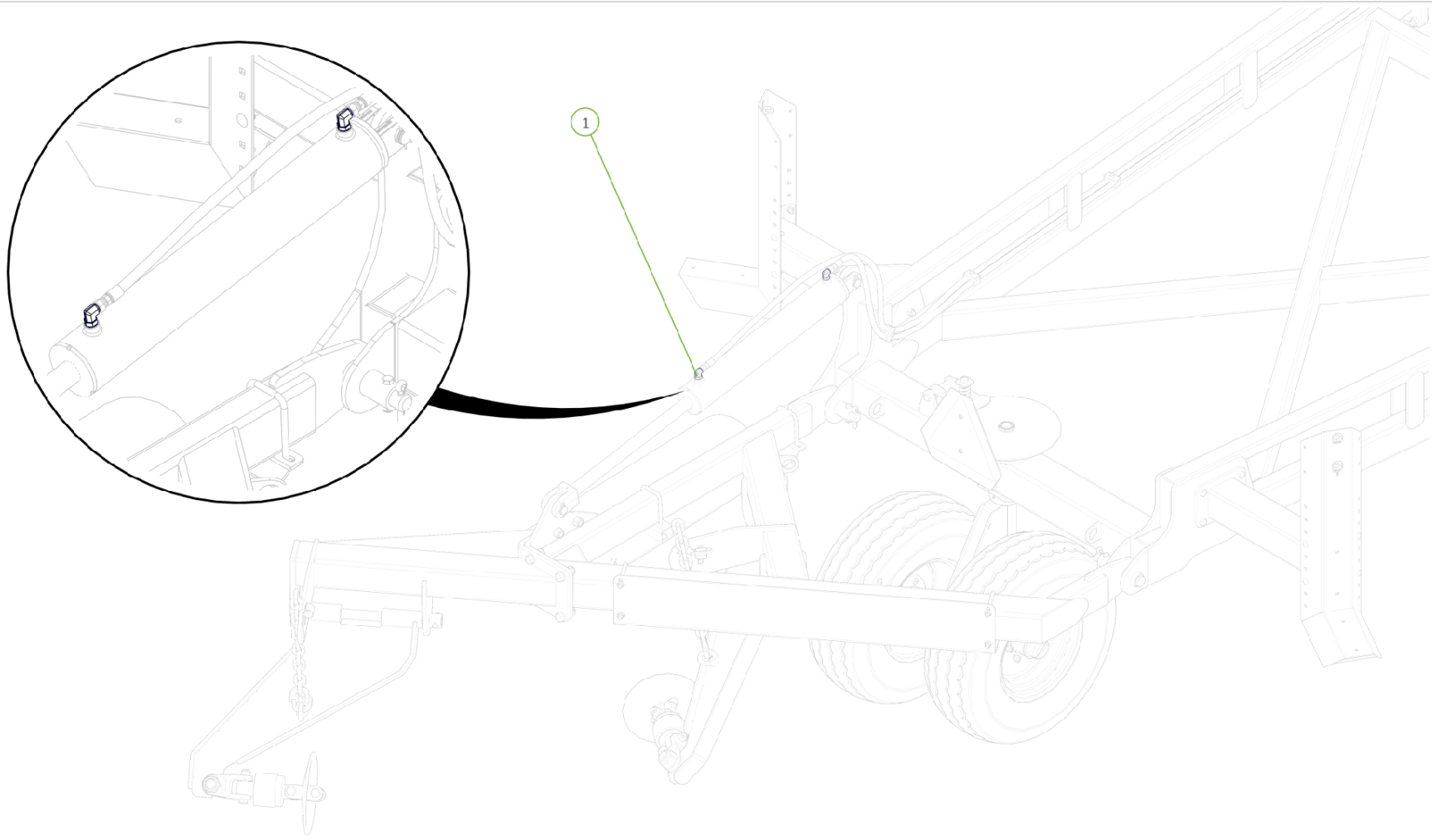
Part Number	Description	For Machines Built:	Revision
<b>1646-KDH-Fittings</b>	46' - Rear A-Frame Fittings		E



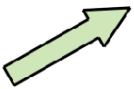
Item No.	Description	Qty	Number
1	3/4" JIC Male 3/4" UN O Ring Male 90° Elbow	1	0323-S91-1212
2	3/4" JIC Male 3/4" UN O Ring Male 45° Elbow	1	0323-S88-1212



Part Number <b>1646-KDH-Fittings</b>	Description <b>46' - Rear Module Fittings</b>	For Machines Built:	Revision <b>E</b>
-----------------------------------------	--------------------------------------------------	---------------------	----------------------

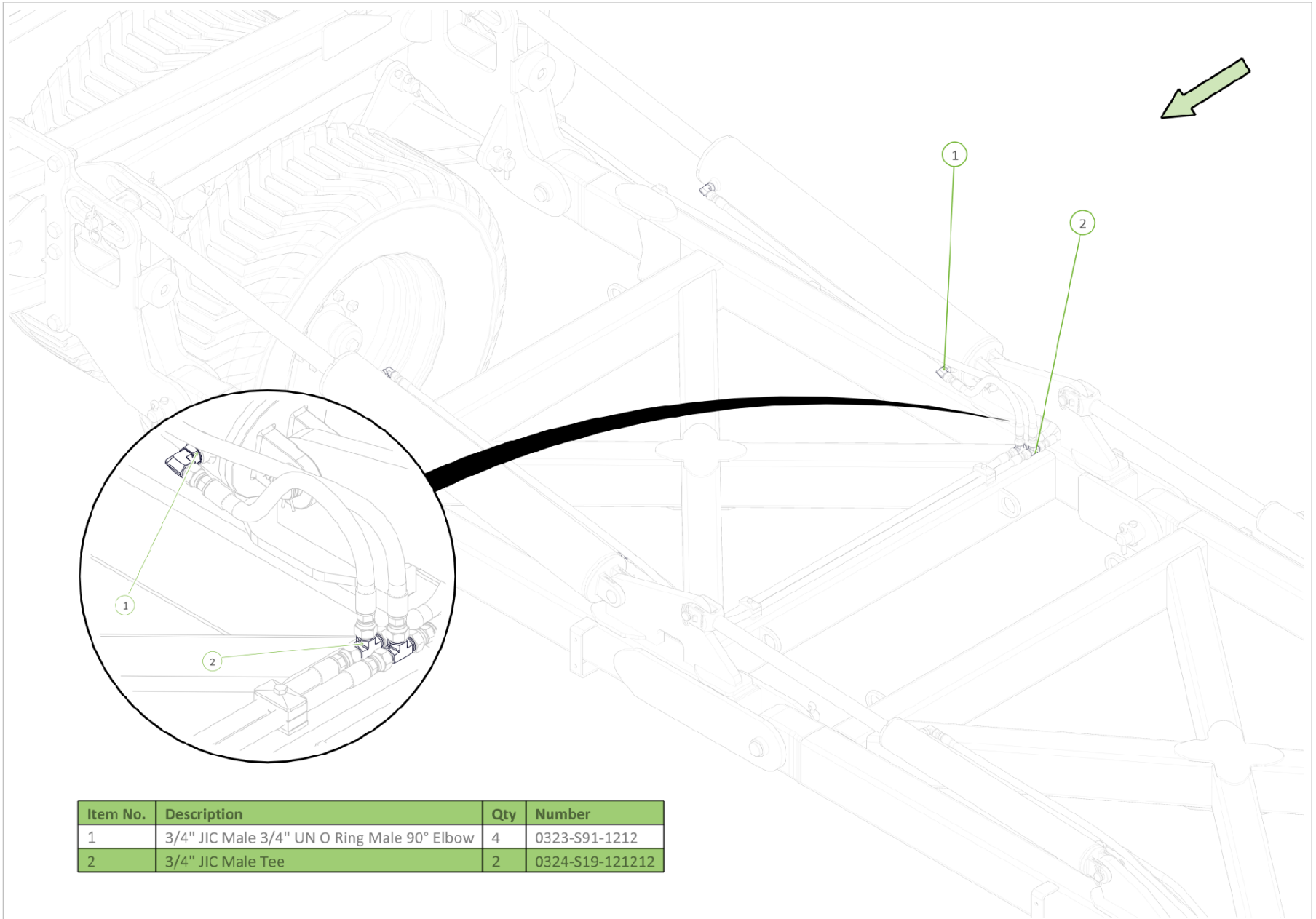


Item No.	Description	Qty	Number
1	3/4" JIC Male 3/4" UN O Ring Male 90° Elbow	2	0323-S91-1212



Part Number <b>1646-KDH-Fittings</b>	Description <b>46' - Rear Tail Fittings</b>	For Machines Built:	Revision <b>E</b>
-----------------------------------------	------------------------------------------------	---------------------	----------------------



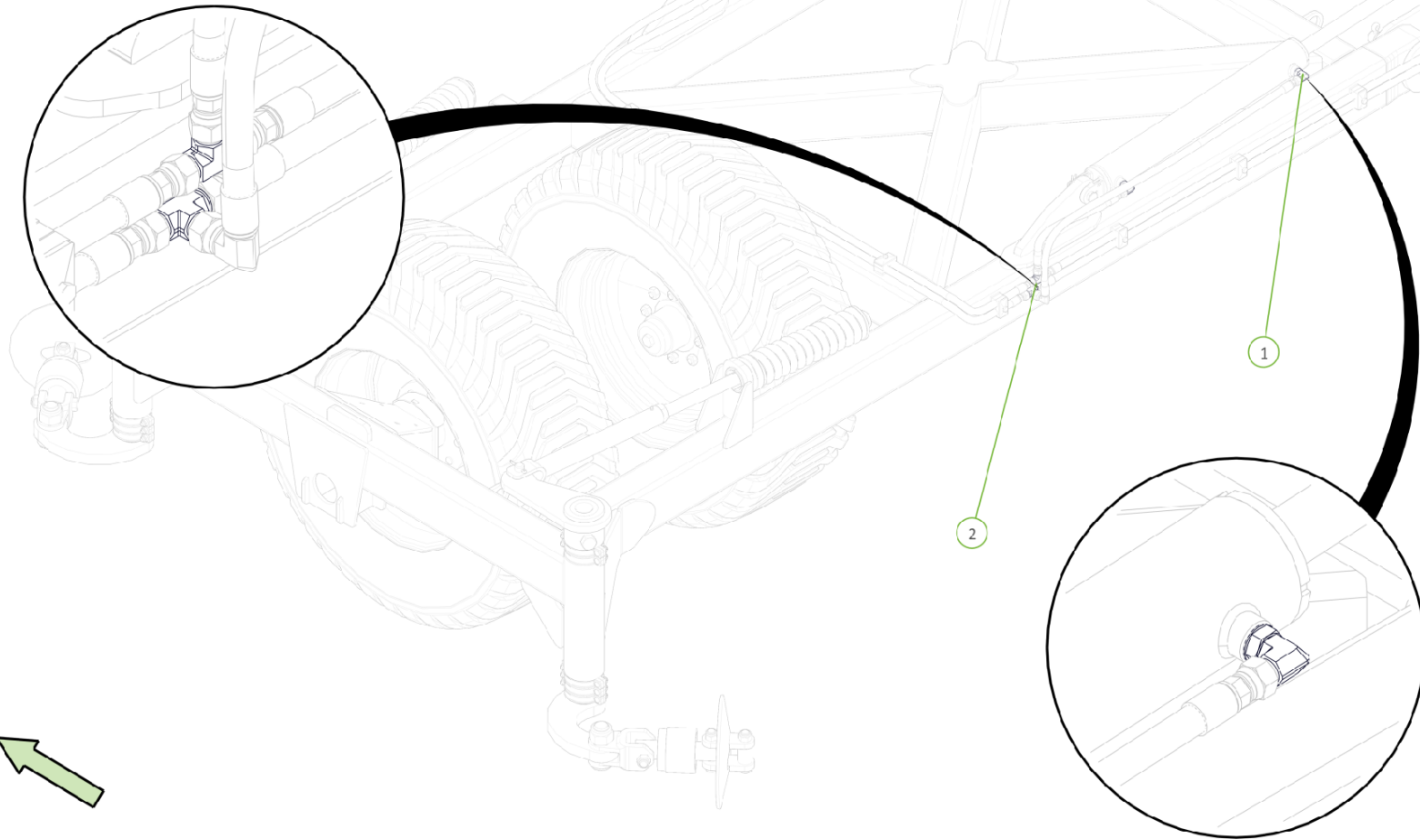


Item No.	Description	Qty	Number
1	3/4" JIC Male 3/4" UN O Ring Male 90° Elbow	4	0323-S91-1212
2	3/4" JIC Male Tee	2	0324-S19-121212

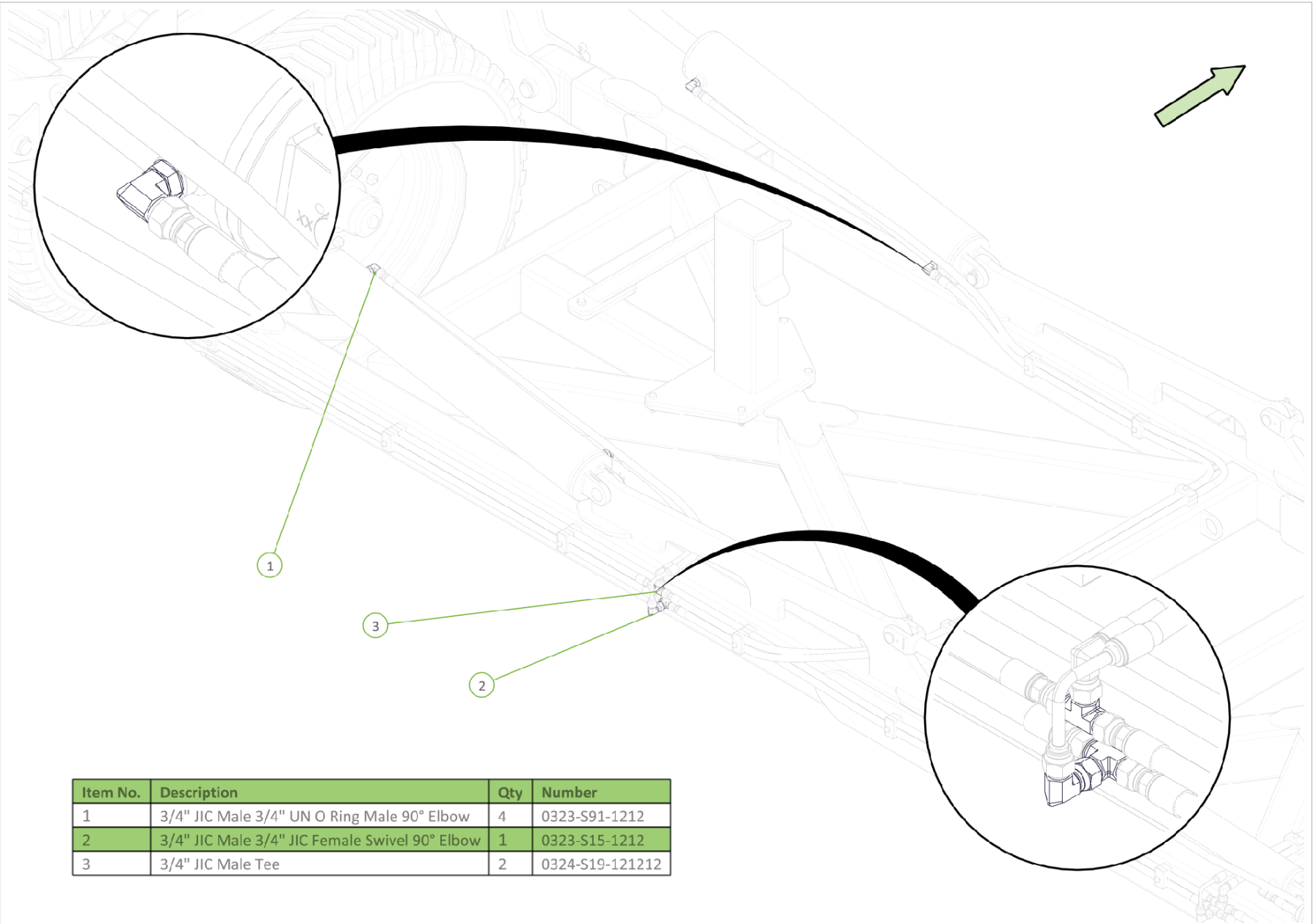


Part Number	Description	For Machines Built:	Revision
<b>1646-KDH-Fittings</b>	46' - Left Hand Inner Wing Fittings		<b>E</b>

Item No.	Description	Qty	Number
1	3/4" JIC Male 3/4" UN O Ring Male 90° Elbow	4	0323-S91-1212
2	3/4" JIC Male Tee	2	0324-S19-121212



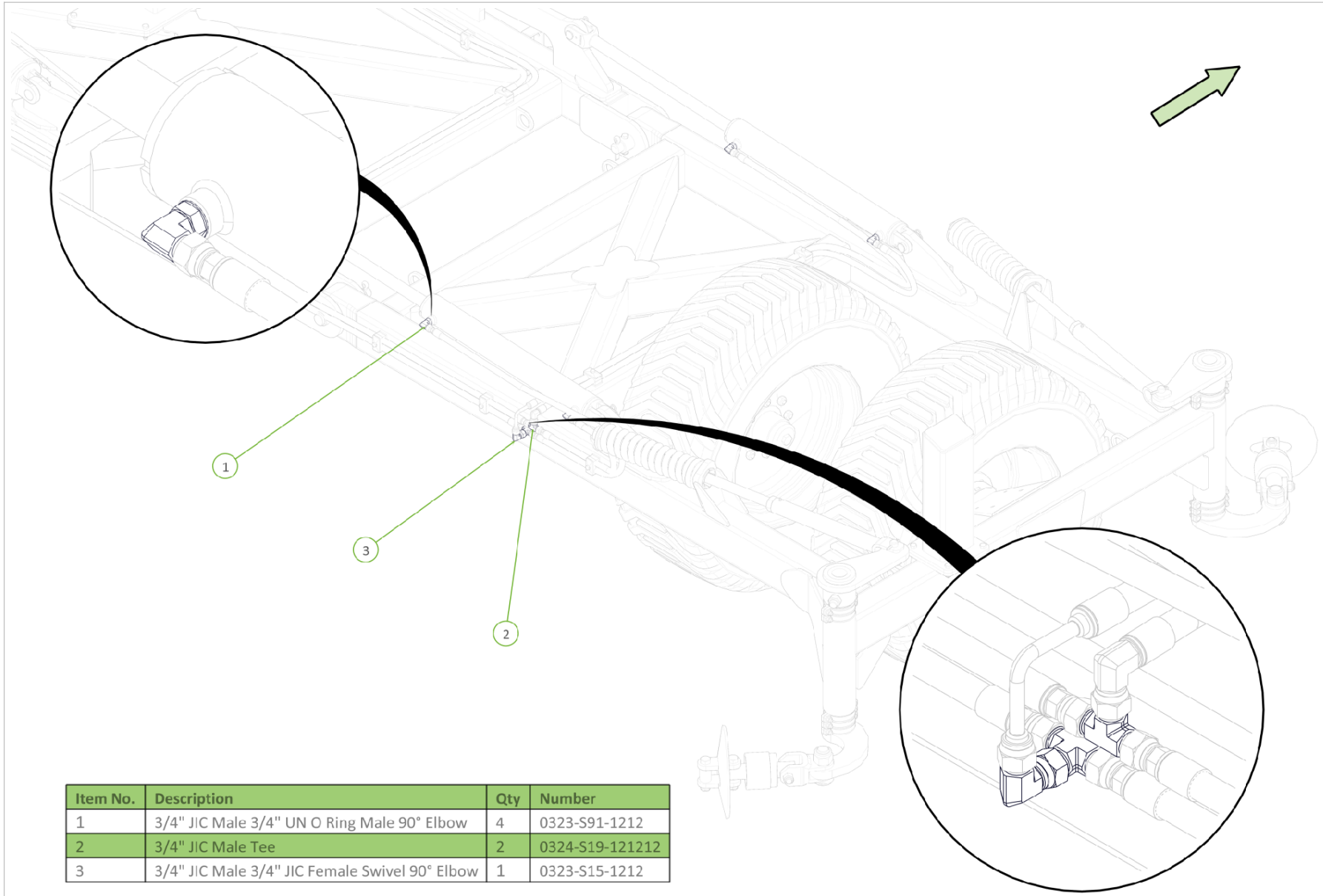
Part Number	Description	For Machines Built:	Revision
<b>1646-KDH-Fittings</b>	46' - Right Hand Inner Wing Fittings		E



Item No.	Description	Qty	Number
1	3/4" JIC Male 3/4" UN O Ring Male 90° Elbow	4	0323-S91-1212
2	3/4" JIC Male 3/4" JIC Female Swivel 90° Elbow	1	0323-S15-1212
3	3/4" JIC Male Tee	2	0324-S19-121212



Part Number <b>1646-KDH-Fittings</b>	Description <b>46' - Right Hand Inner Wing Fittings</b>	For Machines Built:	Revision <b>E</b>
-----------------------------------------	------------------------------------------------------------	---------------------	----------------------

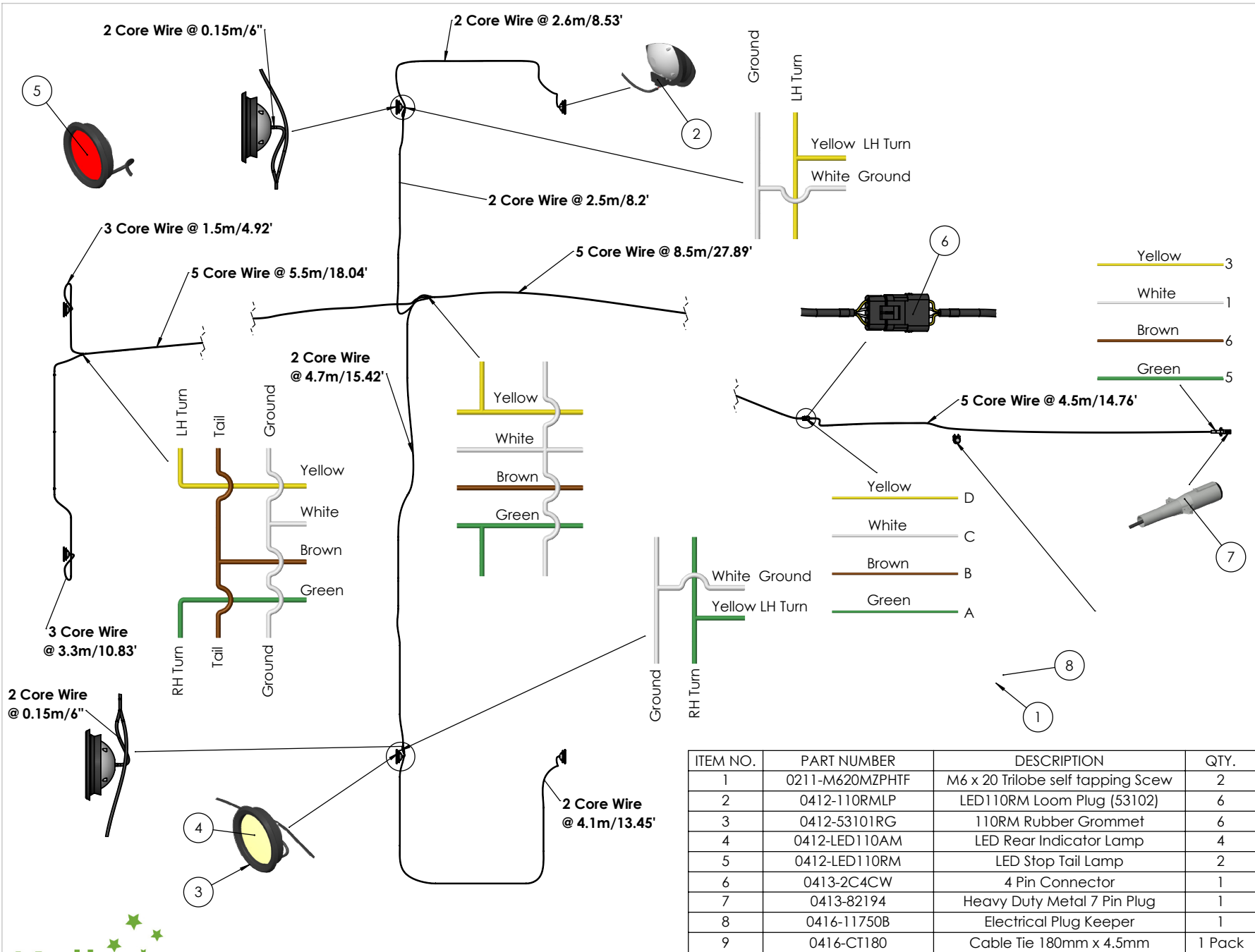


Item No.	Description	Qty	Number
1	3/4" JIC Male 3/4" UN O Ring Male 90° Elbow	4	0323-S91-1212
2	3/4" JIC Male Tee	2	0324-S19-121212
3	3/4" JIC Male 3/4" JIC Female Swivel 90° Elbow	1	0323-S15-1212



Part Number	Description	For Machines Built:	Revision
<b>1646-KDH-Fittings</b>	46' - Right Hand Outer Wing Fittings		E

# Appendix



ITEM NO.	PART NUMBER	DESCRIPTION	QTY.
1	0211-M620MZPTHF	M6 x 20 Trilobe self tapping ScREW	2
2	0412-110RMLP	LED110RM Loom Plug (53102)	6
3	0412-53101RG	110RM Rubber Grommet	6
4	0412-LED110AM	LED Rear Indicator Lamp	4
5	0412-LED110RM	LED Stop Tail Lamp	2
6	0413-2C4CW	4 Pin Connector	1
7	0413-82194	Heavy Duty Metal 7 Pin Plug	1
8	0416-11750B	Electrical Plug Keeper	1
9	0416-CT180	Cable Tie 180mm x 4.5mm	1 Pack

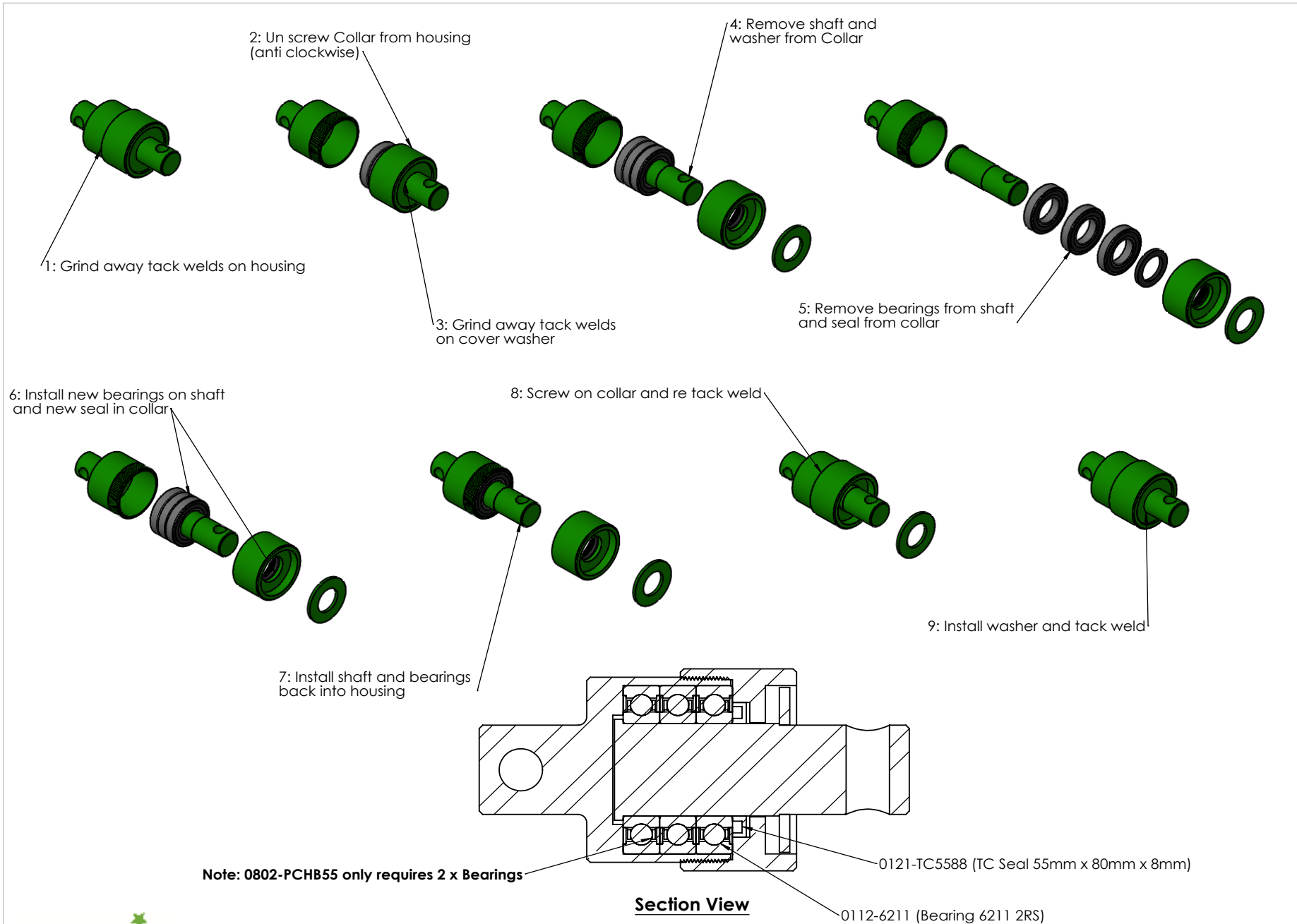


Part Number  
**1602-USLK46**

Description  
**46 US Light Kit**

For Machines Built:

Revision  
**C-0**



Part Number	Description	For Machines Built:	Revision
0802-PCHB55 (30,40,45') 0802-PCHB553 (50,60,65')	Rebuild instructions for Kelly Diamond Harrow swivels	All	A







