

# Diamond Chain Harrow Parts Manual 2010 Model



# Contents

|   |    |
|---|----|
| Serial Number Location  | 3  |
| Draw Bar Frame  | 4  |
| Front A Frame Assembly  | 6  |
| Centre Frame  | 8  |
| Left Hand Inner Wing  | 10 |
| Left Hand Outer Wing  | 12 |
| Right Hand Inner Wing   | 14 |
| Right Hand Outer Wing   | 16 |
| Rear A Frame (Pg.1)   | 18 |
| Rear A Frame (Pg.2)   | 20 |
| Rear Tail   | 22 |
| Front Module  | 24 |
| Rear Module   | 26 |
| 90 Series Stub Axle - 60' Machines                                      | 28 |
| 75 Series Stub Axle - 50' Machines                                      | 30 |
| SH275946205 Stub Axle - 30',40',45' (Up to 20/10/09)                    | 32 |
| SH27594880 Stub Axle - 30',40',45' USA (Up to 9/10/09)                  | 34 |
| K50CT6S - 6 Stud Kelly Hub. Toyota Pattern 15" Wheels<br>Up to 26/11/09 | 36 |
| PCHB-55 Swivel Unit   | 38 |
| PCHB-553 Swivel Unit  | 40 |
| Chain Tension Adjustor  | 42 |
| Chain   | 44 |
| Decals  | 46 |
| Hydraulic Sequence Valve  | 48 |
| Module Chain Tensioner  | 50 |

Prepared By  
Kelly Engineering  
PO Box 100  
Booleroo Centre 5482  
South Australia

Ph: 08 86 672 253  
Fax: 08 86 872 250  
USA: 800 929 2851

E-mail: [office@kellyengineering.com.au](mailto:office@kellyengineering.com.au)  
Website: [www.kellyengineering.com.au](http://www.kellyengineering.com.au)  
[www.kellyharrows.com](http://www.kellyharrows.com)

Copyright 2010

## Serial Number Location

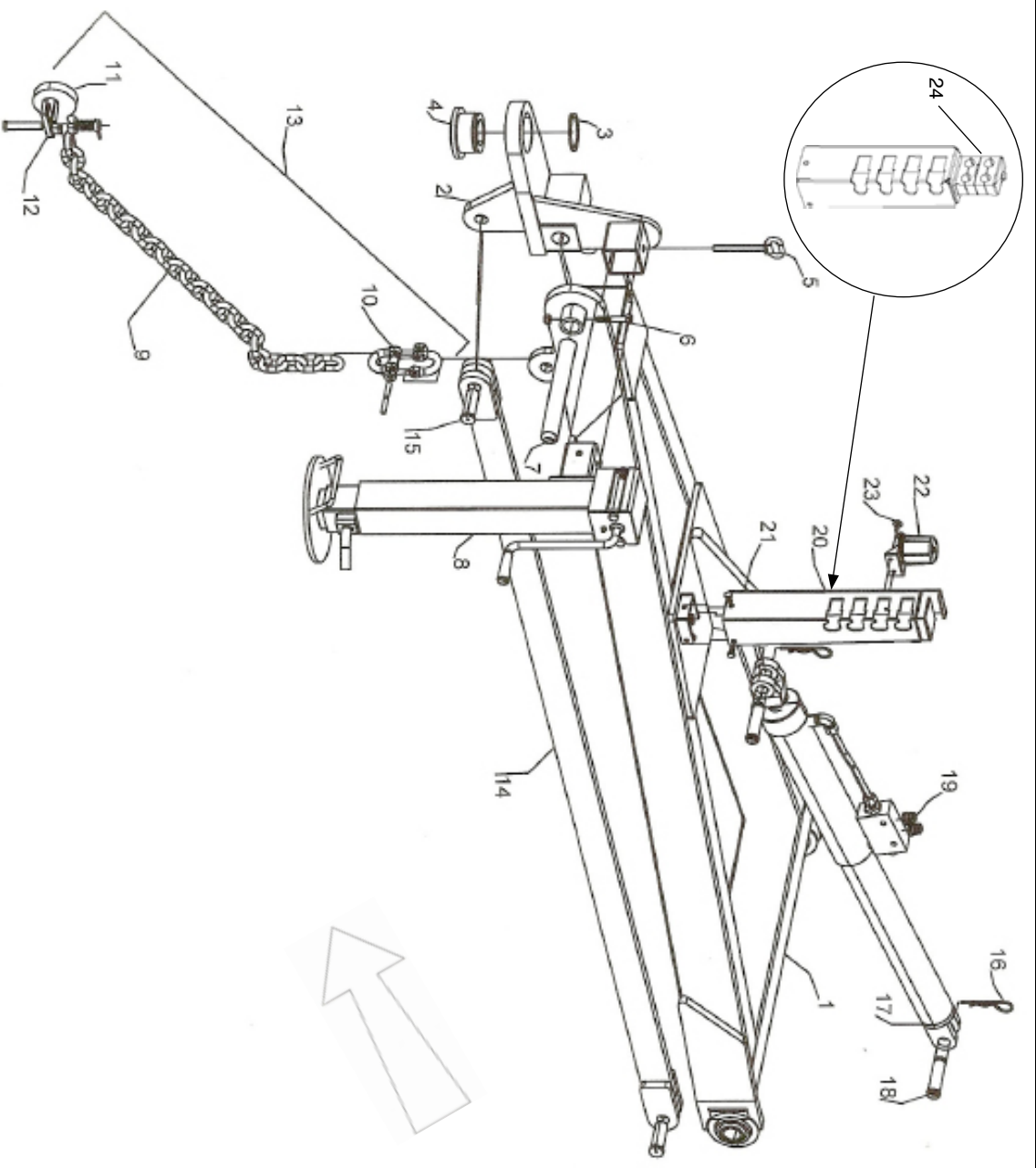
1. Year of Manufacture
2. Number of machine made in that year
3. Model Size and/or type

N.B The Serial No. is stamped into the plate using metal punches



# Draw Bar Frame

| Key  | Part No.   | Part Name                           | Qty    | Description   | Serial No. | Model              |
|------|------------|-------------------------------------|--------|---|------------|--------------------|
| 1    | PC10-08    | Drawbar Frame                       | 1      | Welded "A" frame.   | 805-8033-  | 40,45,45R<br>50,60 |
| 2    | PC10-09    | Tow Hitch                           | 1      | Welded tongue and arm assy.   | 805-8033-  | 40'45'45R<br>50,60 |
| 3    | Circlip82  | Drawbar bush retaining clip         | 1      | D1400-0820 Circlip - Internal   | 601-       |                    |
| 4    | KE-0905-1  | Drawbar Bush                        | 1      | Hardened Drawbar Insert<br>Suit 2" Pin  | 601-       |                    |
| 5    | B3077      | Jack retaining pin                  | 1<br>1 | 12mm x 120mm zinc plated pin<br>R Clip 4mm  | 701-       |                    |
| 6    | BOM1065    | Tow Hitch Pin Retaining Bolt        | 2<br>2 | Bolt M10x65<br>Nyloc Nut M10<br>Sub with M12 x 65 Bolt and nyloc  | 10021-     | all                |
| 7    | PC-10-06   | Tow Hitch Pin                       | 1      | 35mm x 275mm  |            |                    |
| 8    | PC10-31    | Jack Assembly                       | 1      | 3000 kg/ 6000 lb DG7063SF Drop Leg<br>Jack w/ welded mount  |            |                    |
| 9    | CHHT13     | Safety Chain                        | 1      | 13mm Grade 70 Transport chain 2.1m<br>long  | 601-       |                    |
| 10   | CMAH13N    | Grade 80 Conn Link                  | 1      | Hammerlock connecting link  | 601-       |                    |
| 11   | CFHG13     | Clevis Grab Hook                    | 1      | Includes: KESCLA Grab hook latch<br>assembly  | 701-       |                    |
| 12   | KESCLA     | Safety chain Latch Assembly         | 1      | Fits to 9   |            |                    |
| 13   | PC10-16    | PC107-16                            | 1      | Contains 9,10,11,12   |            |                    |
| 14   | PC10-22    | Parrallelogram Arm                  | 1      | welded beam with F-F clevis   | 805-8033-  | 40,45,45R<br>50,60 |
| 15   | KE-03-07-1 | Clevis Pin                          | 2      | .Pin 25mm x 75mm  |            |                    |
| 16   | R Clip4    | R Clip 4mm                          | 4      | Spring R Cip  |            |                    |
| 17   | HC312-2959 | Hydraulic Cylinder 3" x 12" ext     | 1      | F-F Ag cylinder with extension tube<br>and OP10 lockout fitted<br>Sub with HC312-6002 F-F Cylinder<br>with extension tube and OC Valve<br>fitted. | 1004-      | All                |
| 18   | 44082938   | Clevis Pin                          | 2      | Pin 25mm x 75mm   |            |                    |
| 19   | S7-0812    | Adaptor - Ryco                      | 2      | 1/2" BSP to 3/4" JIC M-M  |            |                    |
| 20   | PC151.2    | Hydraulic hose mount                | 1      | Hydraulic hose support bracket  | 805-80     | 40,45,45R<br>50,60 |
| 21   | BOM825     | Hose Mount Mounting Bolt            | 3      | Bolt M8x25<br>Nyloc Nut M8  | 805-80     | 40,45,45R<br>50,60 |
| 22   | BPK11750B  | Electrical Plug Keeper              | 1      | Plastic Plug Holder   | 805-       | 45R                |
| 23   | 620MZPHTF  | Plug Keeper Mounting Bolt           | 2      | M6x20 Hex Thread Forming Bolt   | 805        | 45R                |
| 24   | RCDS-19    | Double Stack Hydralic Hose<br>Clamp | 1      | 4x RCD-19J<br>1x RCD-3PT<br>1x RCD-3BS<br>1x RCD-3BH<br>1x RCD-2PS  | 1004-      | All                |
| **25 | EF0054SK   | Hydraulic Cylinder Seal Kit         |        | Suit Hydraulic Cylinder<br>HC312-2959<br>HC312-6002   |            |                    |

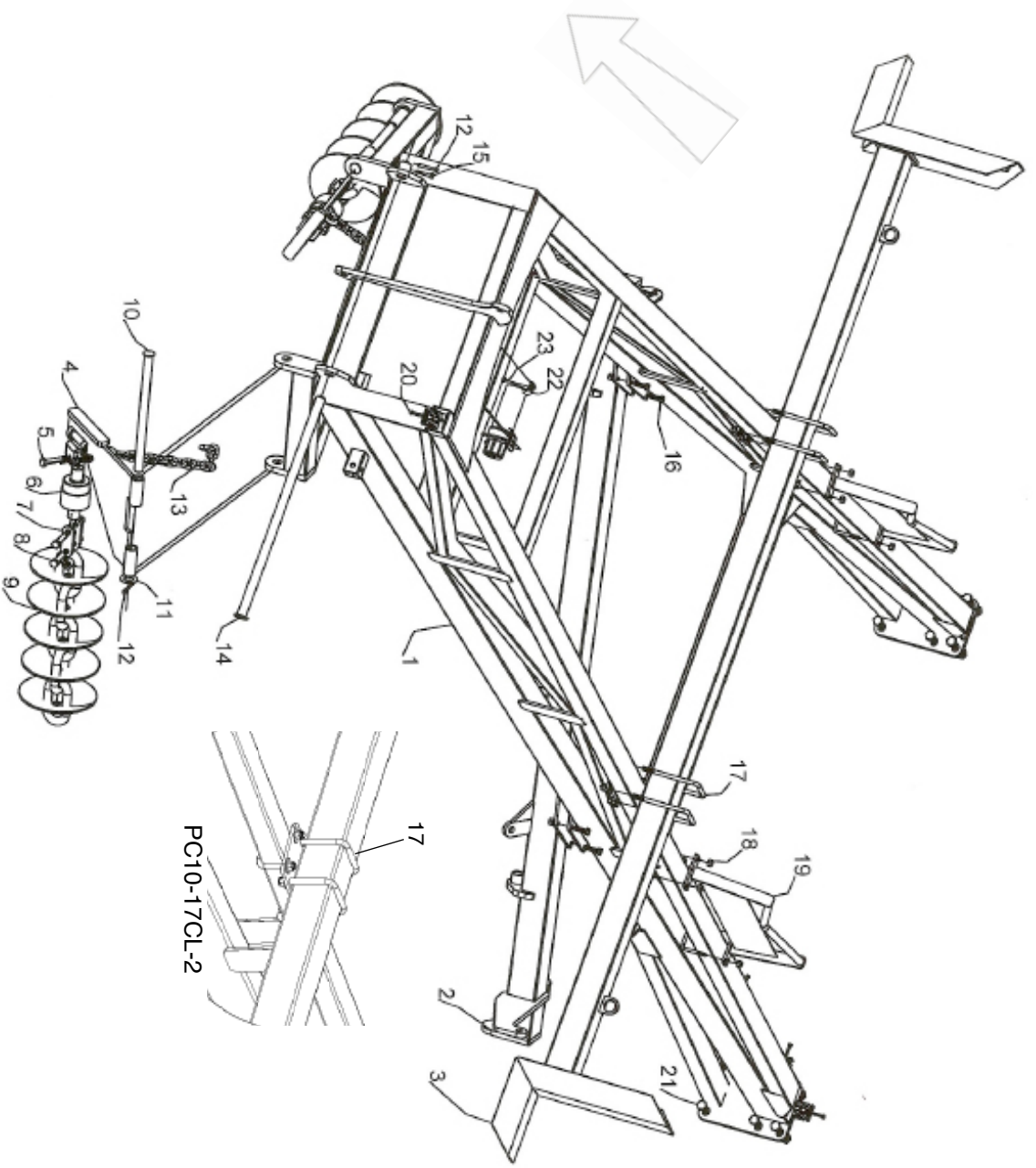


# Drawbar frame

Revision 06/10

# Front A Frame Assembly

| Key | Part No.  | Part Name   | Qty                                      | Description   | Serial No.                         | Model                              |
|-----|---|---|--|---|------------------------------------|------------------------------------|
| 1   | PC60-02<br>PC50-02<br>PC45-02<br>PC40-02<br>PC30-02 | Front A Frame Assembly  | 1  | Welded frame.   | 8017-                              | 60<br>50<br>45 45R<br>40<br>30     |
| 2   | PC10-28-50<br>PC10-28-40                            | Front Module Frame  | 1  |   |                                    | 50 60<br>40 45 45R                 |
| 3   | PC10-17-50<br>PC10-17-40<br><br>PC10-17-40          | Chain Carrier   | 1  | 125x125x4.2m beam<br>125x125x3.1m beam<br><br>125x125x2.63m beam  | 601-<br>601-9059<br>9060-<br>9060- | 50 60<br>40 45 45R<br>45 45R<br>40 |
| 4   | PC10-20<br>PC10-20-60                               | Chain Mount Arm   | 2<br>2<br>2                              | Welded plate with swivel mount.<br>50' sub with PC108-20-60   | 601-<br>807-<br>9094-              | All<br>60<br>50                    |
| 5   | BOM20110<br>NYLM20<br>BOM24120<br>NYLM24            | Swivel retaining bolt   | 6<br>6<br>6<br>6                         | Bolt M20 x 110mm 10.9.<br>Nyloc Nut M20<br>Bolt M24x120mm 10.9<br>M24 Nyloc Nut<br>50' Sub. with Bolt M24x120mm 10.9<br>M24 Nyloc Nut           | 740-<br>807-<br>9094-              | 60<br>50                           |
| 6   | PCHB-55<br>PCHB-553                                 | Swivel Unit   | 2<br>2                                   | 50mm shaft swivel unit<br>50' sub with PCHB-553   | 601-<br>807-<br>9094-              | All<br>60<br>50                    |
| 7   | PC83.2<br>PC83.3                                    | Tie Plates  | 4<br>4                                   | Side plates for joining swivel unit to chain. 36mm & PCHCL1<br>50' sub with PC83.3  | 201-<br>807-<br>9094-              | 60<br>50                           |
| **7 | PC82  | Tie Plates  | 4  | Plates for joining 20mm Prickle Chain to Swivel.  | -807<br>807-<br>9094-              | All<br>30 40 45 50<br>30 40 45     |
| 8   | PCDCS55<br>PCDCS60                                  | Bush  | 2<br>2                                   | 40x22x55 steel bush.<br>40x25x60 steel bush<br>50' sub with PCDCS60   | 807-<br>9094-                      | 60<br>50                           |
| 9   |   | Chain   |  | Refer to Page 44  |                                    |                                    |
| 10  | PC-10-51  | Pivot Pin   | 2  | 35mm pin x 550mm  |                                    |                                    |
| 11  | WAHT138   | Thrust Washer   | 2  | 1 3/8" Hardened Washer  |                                    |                                    |
| 12  | PIN C M10x63  | Cotter Pin  | 3  | M10 x 63mm Cotter Pin<br>Sub with M13 x 63 Cotter pin   | 10021-                             | All                                |
| 13  | PCH24MCA  | Height Adjusting Chain  | 2  | 13mm chain assy with eye nut,<br>M24x50 Cap Screw and M24 spring washer   | 701-                               |                                    |
| 14  | PC10-13   | Draw Bar Pivot Pin  | 1  | 38mm pin 4140 grade   | 501-                               |                                    |
| 15  | BOM1065   | Drawbar pin retaining bolt  | 1<br>1                                   | Bolt M10 x 65mm<br>Nyloc Nut M10<br>Sub with M12 x 65 Bolt and nyloc  | 10021-                             | All                                |
| 16  | BOM1250   | Front Module retaining bolts  | 8<br>8                                   | Bolt M12 x 50mm<br>Nyloc Nut M12  | 601-                               |                                    |
| 17  | PC10-17CL<br><br>PC10-17CL-2                        | Chain Carrier Clamp<br>2 used.<br><br>Front Chain Carrier Clamp<br>2 used | 2<br>4<br>2<br><br>2<br>8<br>2<br>8<br>1 | BOUM16237<br>M16 Nyloc Nut<br>PC84.2 Tie Plates<br><br>U Bolt M16x160x127<br>M16 Nyloc Nut<br>U Bolt M16x85x77<br>M16 zp Flat Washer<br>PC139.1 | 701-100101<br><br>100101-          | 40 45 50 60<br><br>40,45,50,60     |
| 18  | BOUM12107   | "M" Frame retaining U bolt  | 4<br>8                                   | U Bolt M12x107x104<br>Nyloc Nut M12   | 401-                               |                                    |
| 19  | PC10-18   | Front M Frame   | 2  | Chain support. Transport mode   | 9053-                              |                                    |
| 20  | RCD19   | Hydraulic Hose mounting clamp   | 6  | 2x RCD-19J<br>1x RCD-3PT<br>1x RCD-3BH  |                                    |                                    |
| 21  | BOM2475   | Front A Frame to Centre Frame mounting bolts                              | 12<br>12                                 | Bolt M24 x75mm 8.8<br>Nyloc Nut M24   |                                    |                                    |
| 22  | MK01  | Parts Manual Container  | 1  | Plastic sealed container  | 807-                               |                                    |
| 23  | 620MZPHTF   | Manual container retaining bolts  | 3  | M6x20 Hex Thread Forming Bolt   | 807-                               |                                    |

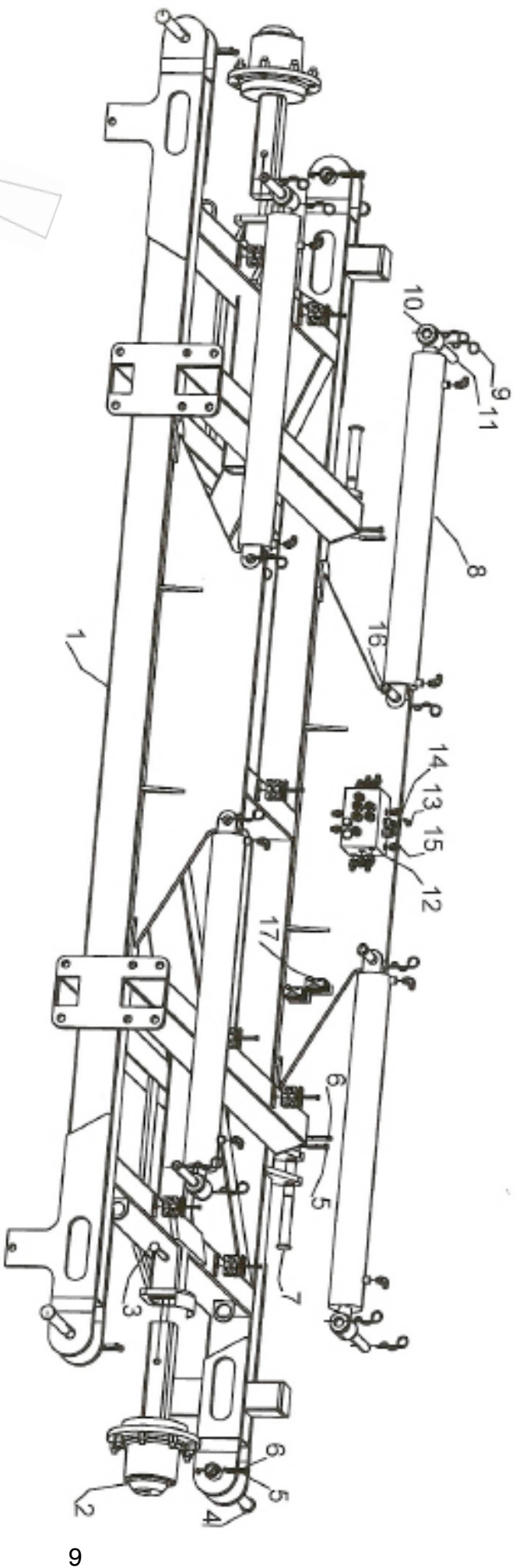


# Front A-frame Assembly

# Centre Frame

| Key  | Part No.  | Part Name                       | Qty              | Description  | Serial No.  | Model                                |
|------|---|---------------------------------|------------------|--|---|--------------------------------------|
| 1    | PC60-01<br>PC45-01<br>PC45-01R<br>PC40-01<br>PC40-01<br>PC30-01 | Centre Frame                    | 1                | Welded main frame  | 901-<br>8088-<br>8083-<br>-9059<br>9060-<br>9073- | 50 60<br>45<br>45R<br>40<br>40<br>30 |
| 2    | Axle90R8Std   |                                 | 2<br>2           | 90series 8 on 275 stub axle<br>90series 8 on 11 1/4" for US                        | 901-<br>9074-                                     | 60<br>60                             |
| **2  | Axle70R6Std   | Stub Axle Assembly              | 2                | 70series 6 on 275 stub axle  | 701-  | 50                                   |
| **2  | AxleSH27594880  | Stub Axle Assembly              | 2<br>2           | SAT 8 on 8" US 2.75" stub<br>Sub with AxleSH27596880                               | 8083-<br>10050-                                   | 45R<br>45R                           |
| **2  | AxleSH275946205   | Stub Axle Assembly              | 2<br>2           | SAT 6 on 205 2.75" stub<br>Sub with AxleSH275966205                                | 8088-<br>1005-                                    | 40 45<br>40 45                       |
| **2  | AxleK50CT6S   | Stub Axle Assembly              | 4<br>2<br>2      | SAT 6 on 5.5" TLC50Rstub<br>Sub with AxleSh275946205<br>Sub with AxleSH275966205   | 701-<br>9075-<br>10087-                           | 30<br>30<br>30                       |
| 3    | BOM20130<br>BOM20150  | Axle retaining bolt             | 2<br>2           | Bolt M20 x 130mm<br>Bolt M20 x 150mm<br>Nyloc Nut M20                              | 901-<br>8083-                                     | 50 60<br>40 45<br>All                |
| 4    | PC-10-08-230  | Wing Pivot Pin                  | 4                | M35 x 230mm  |   |                                      |
| 5    | BOM1065   | Wing Pivot Pin retaining bolt   | 4<br>4           | Bolt M10 x 65mm<br>Nyloc Nut M10<br>Sub with M12 x 65 Bolt and nyloc               | 10021-  | All                                  |
| 6    | PIN C M10x63  | Cotter Pin                      | 4                | M10 x 63mm cotter pin<br>Sub with M13 x 63 cotter pin                              | 10021-  | All                                  |
| 7    | PC-10-08-175  | Tail Pivot Pin                  | 2                | 35mm x 175mm   |   |                                      |
| 8    | HC436-2960<br>HC530-5040<br>HC430-4781<br>HC536-2956            | Hydraulic Cylinder              | 4<br>2<br>2<br>4 | Extended gland cylinder M rod end<br>to F barrel end.<br>60' with 50mm chain only. | 601-<br>740-                                      | 50/60<br>45 45R<br>40<br>60          |
| 9    | KE012   | Cylinder pin retaining "S" Clip | 12               | 5mm Spring Clip  |   |                                      |
| 10   | WA FM35   | Washer                          | 8                | 35mm Flat Washer   |   |                                      |
| 11   | 44102956/1  | Cylinder Pin                    | 4                | 11/4" x 220mm. 4140 grade  |   |                                      |
| 12   | PCHSV6882712  | 3 Stage Sequence Valve          | 1                | Manifold with sequencing valves to<br>control folding and unfolding                | 701-  | 40 45 45R<br>50 60                   |
| 13   | BOM1040   | Manifold retaining cap screw    | 3<br>3<br>3      | Bolt M10 x 40mm<br>Spring Washer M10<br>Flat Washer M10                            | 701-  | 40 45 45R<br>50 60                   |
| 14   | S90-1212  | Adaptor                         | 12               | 3/4 JIC to 3/4 UNO M-M Nipple  |   |                                      |
| 15   | S91-1212  | Elbow Adaptor                   | 8                | 3/4 JIC to 3/4 UNO 90 M-M  |   |                                      |
| 16   | 44102956/2  | Cylinder Pin                    | 4                | 11/4" x 116mm  |   |                                      |
| 17   | RCD19   | Hydraulic Hose Clamp            | 15               | 2x RCD-19J<br>1x RCD-3PT<br>1x RCD-3BH   |   |                                      |
| **18 | EF2960SK  | Hydraulic Cylinder Seal Kit     |                  | Suit Hydraulic Cylinder<br>HC436-2960 and HC430-4781                               |   | 30 50 60                             |
| **19 | EF5040SK  | Hydraulic Cylinder Seal Kit     |                  | Suit Hydraulic Cylinder<br>HC530-5040 and HC536-2959                               |   | 40 45 45R                            |





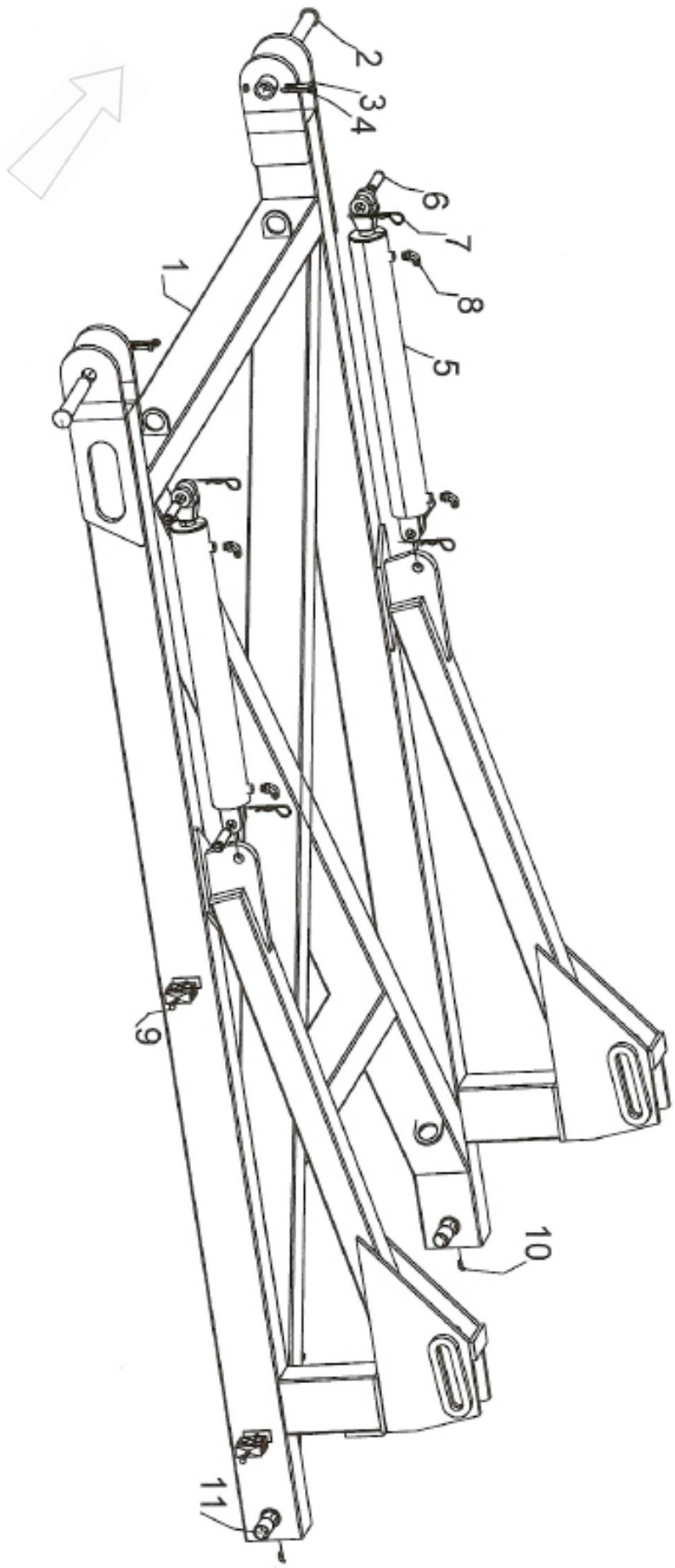
9

# Centre Frame

Revision 06/10

## Left Hand Inner Wing

| Key  | Part No.  | Part Name                     | Qty         | Description   | Serial No.     | Model                          |
|------|---|-------------------------------|-------------|---|----------------|--------------------------------|
| 1    | PC60-05<br>PC50-05<br>PC45-05<br>PC40-05<br>PC40-05 | Left Hand Inner Wing Frame    | 1           | Welded frame  | -9059<br>9060- | 60<br>50<br>45 45R<br>40<br>40 |
| 2    | PC-10-08.230  | Wing Pivot Pin                | 2           | M35 x 230mm   |                |                                |
| 3    | BOM1065   | Wing pivot pin retaining bolt | 2<br>2      | Bolt M10 x 65mm<br>Nyloc Nut M10<br>Sub with M12 x 65 Bolt and nyloc    | 10021-         | all                            |
| 4    | PIN C M10x63  | Cotter Pin                    | 2           | M10 x 63mm Cotter pin<br>Sub with M13 x 63 Cotter pin                   | 10021-         | all                            |
| 5    | HC3524-2958<br>HC324-2957<br>HC424-3786             | Hydraulic Cylinder            | 2<br>2<br>1 | 3.5x24" Ag cylinder F-F<br>3x24 Ag Cylinder F-F<br>4x24 Ag Cylinder F-F | 9060-          | 50 60<br>45 45R<br>40          |
| 6    | 44082938<br>44103786                                | Clevis Pin                    | 4<br>2      | 25mmx75mm<br>11/4" x 94mm   | 9060-          | 40                             |
| 7    | R Clip4   | Cylinder pin retaining clip   | 4<br>2      | R Clip 4mm  | 9060-          | 40                             |
| 8    | S91-1212  | Elbow adaptor                 | 4<br>2      | 3/4JIC to 3/4UNO 90 M-M adaptor   | 9060-          | 40                             |
| 9    | RCD19   | Hydraulic Hose Clamp          | 4           | 2x RCD-19J<br>1x RCD-3PT<br>1x RCD-3BH                                  |                |                                |
| 10   | GN45 1/8  | 1/8" BSP 45 Deg Grease Nipple | 2           |   |                |                                |
| 11   | MB3550DX  | DX Bush                       | 4           | 35x39x50mm Bush   | 801-           |                                |
| **12 | EF0202SK  | Hydraulic Cylinder Seal Kit   |             | Suit Hydraulic Cylinder<br>HC3524-2958                                  |                |                                |
| **13 | EF0054SK  | Hydraulic Cylinder Seal Kit   |             | Suit Hydraulic Cylinder<br>HC324-2957                                   |                |                                |
| **14 | EF0316SK  | Hydraulic Cylinder Seal Kit   |             | Suit Hydraulic Cylinder<br>HC424-3786                                   |                |                                |

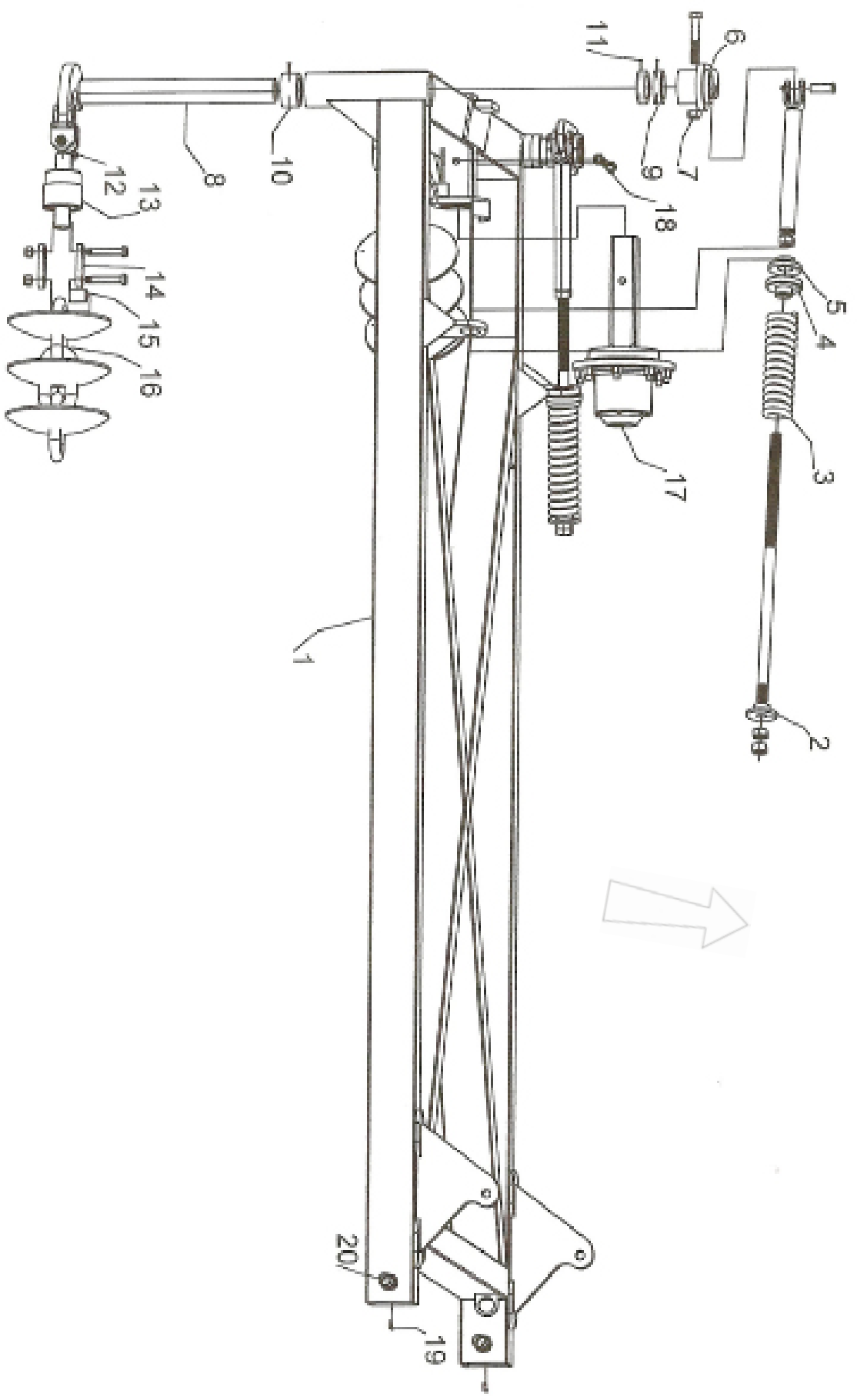


# Left Hand Inner Wing

Revision 06/10

## Left Hand Outer Wing

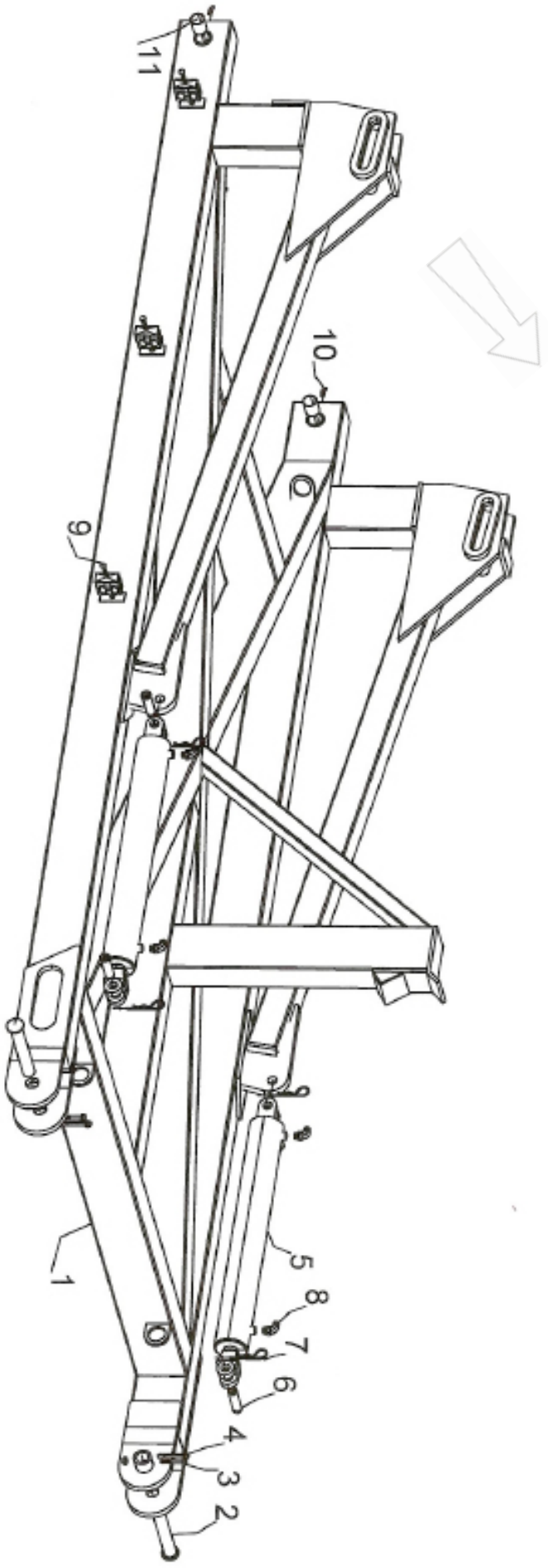
| Key  | Part No.   | Part Name  | Qty                   | Description   | Serial No.              | Model                          |
|------|--|--|-----------------------|---|-------------------------|--------------------------------|
| 1    | PC60-07<br>PC45-07<br>PC45-07R<br>PC40-07<br>PC40-07 | Left Hand Outer Wing   | 1<br>1<br>1<br>1<br>1 | Welded Frame  | -9059<br>9060-          | 50 60<br>45<br>45R<br>40<br>40 |
| 2    | PCHTA  | Chain Tension Adjustor   | 2                     | 1.25" 6 TPI Screw Assembly  |                         |                                |
| 3    | PCHXK2961S<br>PCHK2455350                            | Tension Spring<br>Front Tension Spring<br>Front Tension Spring | 2<br>1<br>1           | 20mm coil spring<br>20mm coil spring<br>24mm coil spring  |                         | 30 - 50<br>60<br>60            |
| 4    | KE-0805-3-2  | Male Spring Locator  | 2                     | Polyurethane bush   |                         |                                |
| 5    | KE-0805-4  | Female Spring Locator  | 2                     | Polyurethane bush   |                         |                                |
| 6    | PC10-26  | Left Hand Tension Arm  | 1                     |   |                         |                                |
| **6  | PC10-27  | Right Hand Tension Arm   | 1                     |   |                         |                                |
| 7    | BOM24140<br>NYLM24                                   | Tension Arm Retaining Bolt                                     | 2                     | Bolt M24 x 140mm 8.8 ZP<br>Nyloc Nut M24  |                         |                                |
| 8    | PC10-24<br>PC10-24-60                                | Left Hand Drop Leg   | 1<br>1                | 50' sub. with PC108-24-60   | 807-<br>9094-           | All<br>60<br>50                |
| **8  | PC10-25<br>PC10-25-60                                | Right Hand Drop Leg  | 1<br>1                | 50' sub with PC108-25-60  | 807-<br>9094-           | All<br>60<br>50                |
| 9    | PS25   | Poly Spacer 25mm   | 4                     | Height Adjustor Spacers<br>25mmx 108x76   |                         |                                |
| 10   | PS50   | Poly Spacer 50mm   | 2                     | Height Adjustor spacer 50x108x76  |                         |                                |
| 11   | STS8FG1.25ZP<br>PSS7G30ZP                            | Spacer Clamp Screw   | 6<br>6                | 8 Gauge x 1 1/4" ZP Self Tapping Screw<br>7 Gauge x 30mm ZP Pan Stitching Screw   | -90114<br>90115-        | All<br>All                     |
| 12   | BOM20110<br>NYLM20<br>BOM24120<br>NYLM24             | Swivel Mount Bolt  | 6<br>6<br>6<br>6      | Bolt M20 x 110mm 10.9<br>Nyloc Nut M20<br>Bolt M24 x 120mm 10.9<br>Nyloc Nut M24<br>50' sub. with M24x120mm 10.9<br>Nyloc nut M24 | 201-<br>807-<br>9094-   | All<br>60<br>50                |
| 13   | PCHB-55<br>PCHB-553                                  | Swivel Unit  | 2<br>2                | 50mm shaft swivel unit<br>55mm shaft swivel unit<br>50, sub. with PCHB-553  | 601-<br>807-<br>9094-   | All<br>60<br>50                |
| 14   | PC83.2<br>PC83.3                                     | Tie Plate  | 4<br>4                | Plates for joining Disc Chain to Swivel.<br>50' sub. with PC83.3  | 201-<br>807-<br>9094-   | All<br>60<br>50                |
| **14 | PC82   | Tie Plate  | 4                     | Plates for joining 20mm Prickle Chain to Swivel.  | -807<br>807-<br>9094-   | All<br>30 40 45 50<br>30 40 45 |
| 15   | PCHDCS55<br>PCHDCS60                                 | Disc Chain Spacer  | 2<br>2                | 40x22x55mm bush<br>40x25x60 steel bush<br>50' sub. with PCHDCS60  | 601-<br>807-<br>9094-   | All<br>60<br>50                |
| 16   |  | Chain  |                       | Refer to Page 44  |                         |                                |
| 17   | Axle90R8Std  | Axle and wheel hub assembly                                    | 1                     | 90 series 8on 275 stub axle<br>90 series 8on 11 1/4" for USA  | 901-<br>9074-           | 60<br>60                       |
| **17 | Axle70R6Std  |  | 1                     | 70 series 6 on 275 stub axle  | 701-                    | 50                             |
| **17 | AxleSH27594880                                       |  | 1<br>1                | SAT 8 on 8" US 2.75" stub<br>Sub with AxleSh27596880  | 8083-<br>10050-         | 45R<br>45R                     |
| **17 | AxleSH275946205                                      |  | 1<br>1                | SAT 6 on 205 2.75" stub<br>Sub with AxleSh275966205   | 8088-<br>1005-          | 40 45<br>40 45                 |
| **17 | AxleK50CT6S  |  | 1<br>1<br>1           | SAT 6 on 5.5" TLC50R stub<br>Sub with AxleSH275946205<br>Sub with AxleSh275966205   | -701<br>9075-<br>10087- | All<br>30<br>30                |
| 18   | BOM20130<br>BOM20150<br>NYLM20                       | Axle retaining bolt  | 1<br>1<br>1           | Bolt M20 x 130mm 8.8ZP<br>Bolt M20 x 150mm 8.8ZP<br>Nyloc Nut M20   | 901-<br>8083-           | 50 60<br>40,45                 |
| 19   | GN 1/8"  | Grease nipple  | 2                     | 1/8" BSP 45 deg.  |                         | All                            |
| 20   | MB3550DX   | DX bush  | 4                     | 35x39x50mm bush   | 801-                    | All                            |



# Left Hand Outer Wing

## Right Hand Inner Wing

| Key  | Part No.   | Part Name                   | Qty                   | Description  | Serial No.                    | Model                       |
|------|--|-----------------------------|-----------------------|--|-------------------------------|-----------------------------|
| 1    | PC60-04<br>PC50-04<br>PC45-04<br>PC45-04R<br>PC40-04 | Right Hand Inner Wing       | 1<br>1<br>1<br>1<br>1 | Welded Frame   | 601-7050<br><br><br><br>-9059 | 60<br>50<br>45<br>45R<br>40 |
| 2    | PC-10-08.230   | Wing Pivot Pin              | 2                     | 35mm x 230mm   |                               |                             |
| 3    | BOM1065  | Wing Pin Retaining Bolt     | 2<br>2                | Bolt M10 x 65mm<br>Nyloc Nut M10<br>Sub with M12 x 65 Bolt and nyloc | 10021-                        | all                         |
| 4    | PIN C M10x63   | Cotter Pin                  | 2                     | M10 x 63mm Cotter Pin<br>Sub with M13 x 63 Cotter pin                | 10021-                        | all                         |
| 5    | HC3524-2958<br>HC324-2957                            | Hydraulic Cylinder          | 2                     | Ag Cylinder F - F 3 1/2" x 24"<br>Ag Cylinder F - F 3" x 24"         |                               | 50 60<br>30 40 45           |
| 6    | 44082938   | Clevis Pin                  | 4                     | 25mm x 75mm  |                               |                             |
| 7    | R Clip4  | Clevis Pin retaining clip   | 4                     | R Clip 4mm   |                               |                             |
| 8    | S91-1212   | Elbow Adaptor               | 4                     | 3/4" JIC - 3/4" UNO 90 deg M-M                                       |                               |                             |
| 9    | RCD19  | Hydraulic Hose Mount        | 6                     | 2x RCD-19J<br>1x RCD-3PT<br>1x RCD-3BH                               |                               |                             |
| 10   | GN45 1/8   | Grease Nipple               | 2                     | 1/8" BSP 45 deg  |                               |                             |
| 11   | MB3550DX   | DX Bush                     | 4                     | 35x39x50mm Bush  | 801-                          |                             |
| **12 | EF0202SK   | Hydraulic Cylinder Seal Kit |                       | Suit Hydraulic Cylinder<br>HC3524-2958                               |                               |                             |
| **13 | EF0054SK   | Hydraulic Cylinder Seal Kit |                       | Suit Hydraulic Cylinder<br>HC324-2957                                |                               |                             |
| **14 | BOM1250  | Wing post mounting bolt     | 6<br>6                | Bolt M12x50mm<br>Nyloc Nut M12                                       | 709-                          | 45R                         |

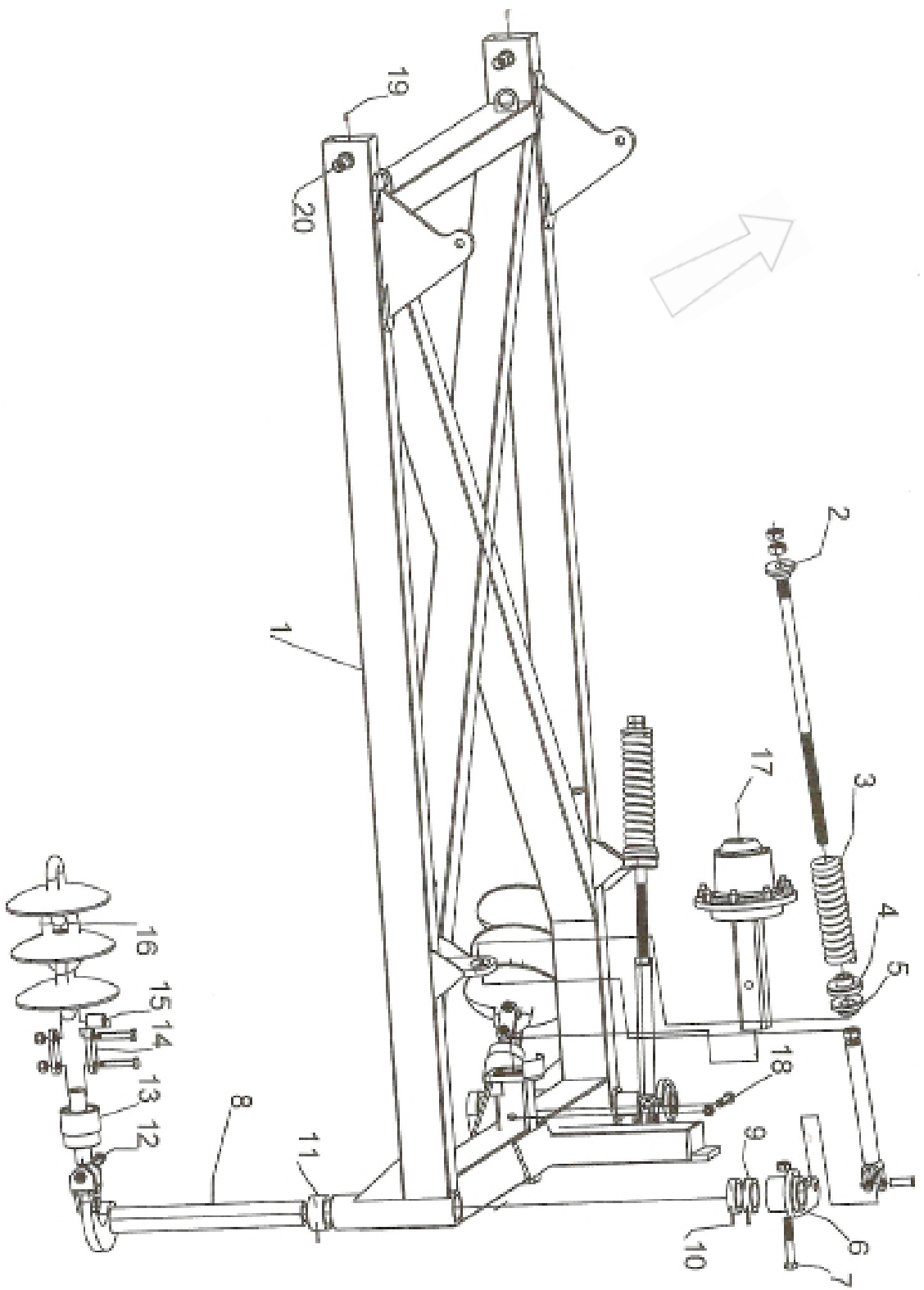


# Right Hand Inner Wing

# Right Hand Outer Wing

| Key  | Part No.                                  | Part Name  | Qty              | Description   | Serial No.              | Model No.                      |
|------|---|--|------------------|---|-------------------------|--------------------------------|
| 1    | PC60-06<br>PC45-06<br>PC45-06R<br>PC40-06 | Right Hand Outer Wing  | 1                | Welded Frame  | 7050-                   | 50 60<br>45<br>45R<br>40       |
| 2    | PCHTA                                     | Chain Tension Adjuster   | 2                | See Page 36   | 601-                    |                                |
| 3    | PCHXK2961S<br>PCHK2455350                 | Tension Spring<br>Front Tension Spring<br>Front Tension Spring | 2<br>1<br>1      | 20mm Coil spring<br>20mm Coil spring<br>24mm Coil Spring  | 501-<br>701-            | all<br>60                      |
| 4    | KE-0805-03-2                              | Male Spring Locator  | 2                | Polyurethane bushing  |                         |                                |
| 5    | KE-0805-04                                | Female Spring Locator  | 2                | Polyurethane bushing  |                         |                                |
| 6    | PC10-26                                   | Left Hand Tension Arm  | 1                |   |                         |                                |
| **6  | PC10-27                                   | Right Hand Tension Arm   | 1                |   |                         |                                |
| 7    | BOM24140                                  | Tension Arm Retaining Bolt                                     | 2<br>2           | Bolt M24 x 140mm 8.8 ZP<br>Nyloc Nut M24  |                         |                                |
| 8    | PC10-24<br>PC10-24-60                     | Left Hand Drop Leg   | 1<br>1           | 50' sub. with PC108-24-60   | 807-<br>9094-           | all<br>60<br>50                |
| **8  | PC10-25<br>PC10-25-60                     | Right Hand Drop Leg  | 1<br>1           | 50' sub with PC108-25-60  | 807-<br>9094-           | all<br>60<br>50                |
| 9    | PS25                                      | Height Adjusting Spacer 25mm                                   | 4                | 75 ID 108 OD Polyurethane Spacer Ring   |                         |                                |
| 10   | STS8G1.25ZP<br>PSS7G30ZP                  | Spacer Clamping Screw  | 6<br>6           | 8 Guage 11/4" ZP selfTapping Screw<br>7 Guage x 30mm ZP Pan Stitcing Screw  | -90114<br>90115-        | all<br>all                     |
| 11   | PS50                                      | Height Adjusting Spacer 50mm                                   | 2                | 75 ID 108 OD Polyurethane Spacer Ring   |                         |                                |
| 12   | BOM20110<br>BOM24120                      | Swivel Retaining Bolt  | 6<br>6<br>6<br>6 | Bolt M20 x 110 10.9<br>Nyloc Nut M20<br>Bolt M24 x 120 10.9<br>Nyloc Nut M24<br>50' sub. with M24x120mm 10.9<br>Nyloc nut M24 | 807-<br>9094-           | all<br>60<br>50                |
| 13   | PCHB-55<br>PCHB-553                       | Swivel Unit  | 2<br>2           | 50mm shaft swivel unit<br>55mm shaft swivel unit<br>50' sub. with PCHB-553  | 601-<br>807-<br>9094-   | all<br>60<br>50                |
| 14   | PC83.2<br>PC83.3                          | Tie Plate  | 4<br>4           | Plates for joining Disc Chain to Swivel.<br>50' sub. with PC83.3  | 201-<br>807-<br>9094-   | all<br>60<br>50                |
| **14 | PC82                                      | Tie Plate  | 4                | Side plates for joining Prickle Chain to Swivel Unit.   | -807<br>807-<br>9094-   | all<br>30 40 45 50<br>30 40 45 |
| 15   | PCHDCS55<br>PCHDCS60                      | Disc Chain Spacer  | 2<br>2           | 40 OD 22 ID x 55mm Bush<br>40x25x60 steel bush<br>50, sub. with PCHDCS60  | 807-<br>9094-           | all<br>60<br>50                |
| 16   |   | Chain  |                  | Refer to Page 44  |                         |                                |
| 17   | Axle90R8Std                               | Stub Axle and Wheel Hub Assembly                               | 1                | 90series 8on 275 stub axle<br>90series 8 on 11 1/4" for USA   | 901-                    | 60                             |
| **17 | Axle70R6Std                               |  | 1                | 70 series 6 on 2.75" stub   | 701-                    | 50                             |
| **17 | AxleSH27594880                            |  | 1<br>1           | SAT 8 on 8" US stub<br>Sub AxleSh27596880   | 8083-<br>10050-         | 45R<br>45R                     |
| **17 | AxleSH275946205                           |  | 1<br>1           | SAT 6 on 205 2.75" stub<br>Sub AxleSh275966205  | 8088-<br>1005-          | 40 45<br>40 45                 |
| **17 | AxleK50CT6S                               |  | 1<br>1<br>1      | SAT 6 on 5.5" TLC50R stub<br>Sub with AxleSH275946205<br>Sub with AxleSh275966205   | -701<br>9075-<br>10087- | all<br>30<br>30                |
| 18   | BOM20130<br>BOM20150<br>NYLM20            | Axle retaining bolt  | 1<br>1<br>1      | Bolt M20 x 130mm 8.8 ZP<br>Bolt M20 x 150mm 8.8 ZP<br>Nyloc Nut M20   | 901-<br>8083-           | 50 60<br>40 45<br>all          |
| 19   | GN 1/8                                    | Grease Nipple  | 2                | 1/8" BSP 45 deg   | -701                    |                                |
| 20   | MB3550DX                                  | DX Bush  | 4                | 35x39x50mm Bush   | 801-                    | all                            |





# Right Hand Outer Wing

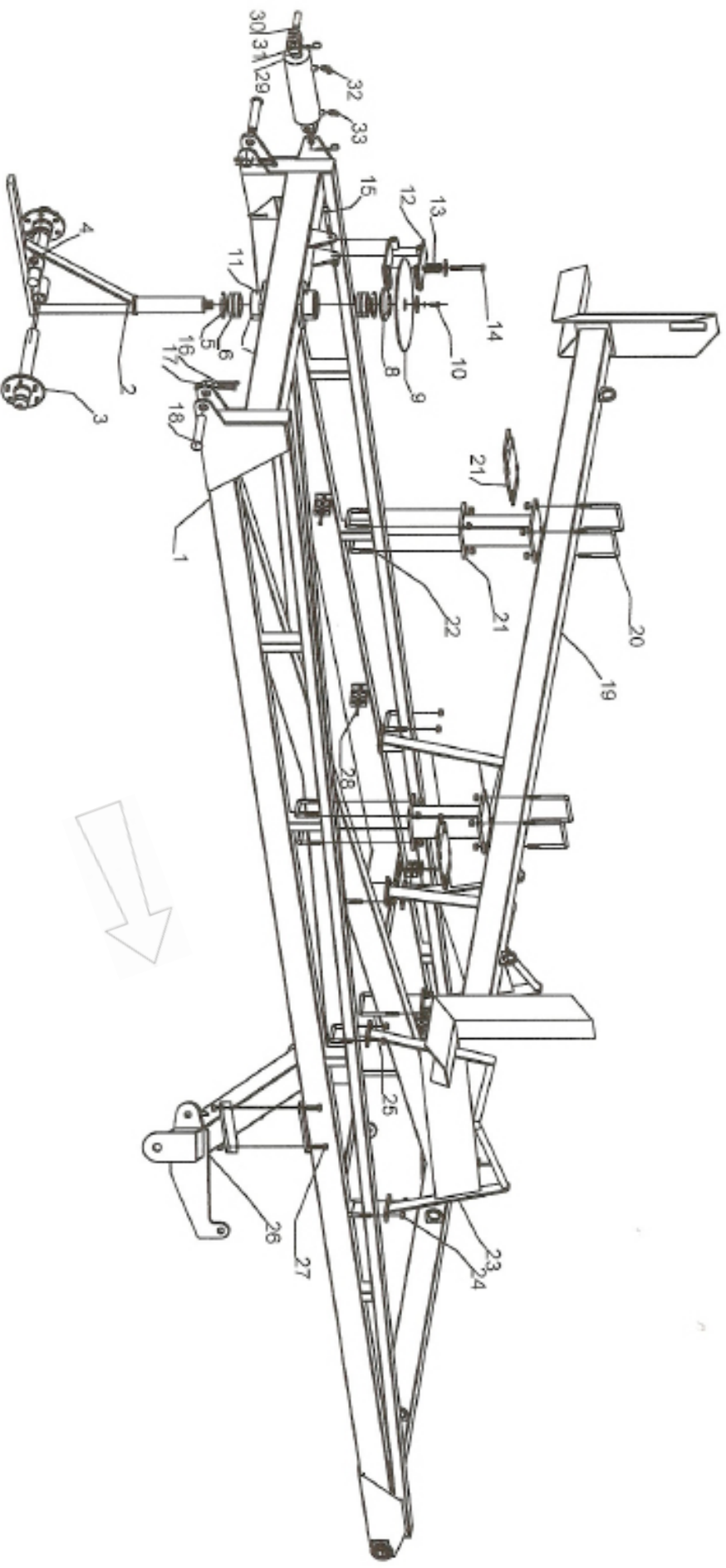
## Rear A Frame (Pg.1)

| Key | Part No.     | Part Name                              | Qty                | Description  | Serial No.              | Model                        |           |
|-----|--------------|--|--------------------|--|-------------------------|------------------------------|-----------|
| 1   | PC60-03      | 60' Rear A Frame                       | 1                  | Welded Frame.  | 601-                    | 60                           |           |
|     | PC50-03      | 50' Rear A Frame                       | 1                  |  | 601-                    | 50                           |           |
|     | PC45-03      | 45' Rear A Frame                       | 1                  |  | 901-                    | 45                           |           |
|     | PC40-03      | 40' Rear A Frame                       | 1                  |  | 901-                    | 40                           |           |
|     | PC30-03      | 30' Rear A Frame                       | 1                  |  | 901-                    | 30                           |           |
| 2   | PC10-11-70   | Jockey Wheel Assembly                  | 1                  | 70mm King pin and bearings   | 601-                    | 45R 50 60                    |           |
|     | PC10-11-60   |  |                    | 60mm King pin and bearings   | 901-<br>601-900         | all<br>30 40 45              |           |
| 3   | K50CT6S      | TLC Stub Axle/Hub                      | 2                  | 6 Stud Kelly Hub with screw cap<br>Toyota Pattern 50R C class stub.<br>Sub wit AxleK5083T66S | 601-<br>10063-          | all                          |           |
| 4   | BOM1690      | Axle Retaining Bolt                    | 2                  | Bolt M16 x 90mm<br>Nyloc Nut M16   |                         |                              |           |
|     |              |  | 2                  |  |                         |                              |           |
| 5   | Circlip105   | External Circlip 105mm                 | 2                  | Bearing retaining circlip  | 601-<br>901-<br>601-900 | 45R 50 60<br>all<br>30 40 45 |           |
|     | Circlip90    | External Circlip 90mm                  | 2                  | Bearing retaining circlip  |                         |                              |           |
| 6   | GE70RS       | King pin bearing                       | 2                  | Plain Spherical Bearing  | 601-<br>901-<br>601-900 | 45R 50 60<br>all<br>30 40 45 |           |
|     | GE60RS       |  | 2                  | Plain Spherical Bearing  |                         |                              |           |
| 7   | KE-0705-11   | Bearing Housing and Keeper Plate       | 2                  | Welded bearing housing 70mm  | 601-<br>901-<br>601-900 | 45R 50 60<br>all<br>30 40 45 |           |
|     | KE-0705-10   | Bearing Housing and Keeper Plate       | 2                  | Welded bearing housing 60mm  |                         |                              |           |
| 8   | KE-0705-13   | Dust Cap                               | 1                  | 70mm Polymer dust cap.   | 601-<br>901-<br>601-900 | 45R 50 60<br>all<br>30 40 45 |           |
|     | KE-0705-12   | Dust Cap                               | 1                  | 60mm Polymer dust cap.   |                         |                              |           |
| 9   | PCH02D       | Brake Disc Assembly                    | 1                  | Welded component with<br>1 3/8" 6 Spline Female and laser<br>cut disc.                       |                         |                              |           |
| 10  | BOM1230      | Brake Disc Retaining Cap Screw         | 1                  | Bolt M12 x 30mm<br>Spring Washer M12<br>M12x50x5 Square Washer                               |                         |                              |           |
|     |              |  | 1                  |  |                         |                              |           |
|     |              |  | 1                  |  |                         |                              |           |
| 11  | GN 1/4       | Grease Nipple 1/4"                     | 2                  | 1/4" UNF Straight  |                         |                              |           |
| 12  | PCH03B       | Brake Caliper                          | 2                  | welded component with brake pad<br>and bush  |                         |                              |           |
| 13  | KE009        | Brake Compression Spring               | 1                  | 8mm x 6 coil 73mm long   |                         |                              |           |
| 14  | BOM16150     | Brake Pressure Bolt                    | 1                  | Bolt M16 x150mm<br>M16x50x5 Square Washer  |                         |                              |           |
| 15  | BOM16150     | Brake Pivot Bolt                       | 1                  | Bolt M16 x150mm<br>Nyloc Nut M16   |                         |                              |           |
| 16  | PIN C M10x63 | Cotter Pin                             | 2                  | M10 x 63mm cotter pin<br>Sub with M13 x 63 Cotter pin  | 10021-                  | all                          |           |
| 17  | BOM1065      | Tail Pin Retaining Bolt                | 2                  | Bolt M10 x 65mm<br>Sub with M12 x 65 Bolt and nyloc  | 10021-                  | all                          |           |
| 18  | PC-10-08.140 | Tail Frame Pin                         | 2                  | 35mm x 140mm   |                         |                              |           |
| 19  | PC10-17-50   | Chain Transport Carrier                | 1                  | 125x125x4.2m beam  | 601-                    | 50 60                        |           |
|     | PC10-17-40   |  | 125x125x3.1m beam  | 601-9059   | 40 45 45R               |                              |           |
|     | PC10-17-40   |  | 125x125x2.63m beam | 9060-<br>9060-   | 45 45R<br>40            |                              |           |
| 20  | BOUM16160    | Rear Chain Carrier Clamping U<br>Bolts | 4                  | U Bolt M16x160x127<br>Nyloc Nut M16<br>M16 ZP Flat Washer                                    |                         |                              |           |
|     |              |  | 8                  |  |                         |                              |           |
|     |              |  | 8                  |  |                         |                              |           |
| 21  | PC10-23-60   | Rear Chain Carrier Pedestal            | 2                  | Riser for mounting chain carrier   |                         | 60                           |           |
|     | PC10-23-50   |  | 2                  |  |                         |                              | 50        |
|     | PC139.1      |  | 2                  |  |                         |                              | 40 45 45R |
| 22  | BOUM1680     | Lower Pedestal Mounting U Bolts        | 4                  | U Bolt M16x80x77<br>Nyloc Nut M16<br>M16 ZP Flat Washer                                      |                         |                              |           |
|     |              |  | 8                  |  |                         |                              |           |
|     |              |  | 8                  |  |                         |                              |           |
| 23  | PC109-19     | Rear M                                 | 2                  | Chain support - transport  |                         | 40 45                        |           |
|     |              |  | 3                  |  |                         | 50 60                        |           |
| 24  | BOUM1280     | Rear M Mounting U Bolts                | 4                  | U Bolt M12x80x77<br>Nyloc Nut M12  |                         |                              |           |
|     |              |  | 8                  |  |                         |                              |           |



## Rear A Frame (Pg.2)

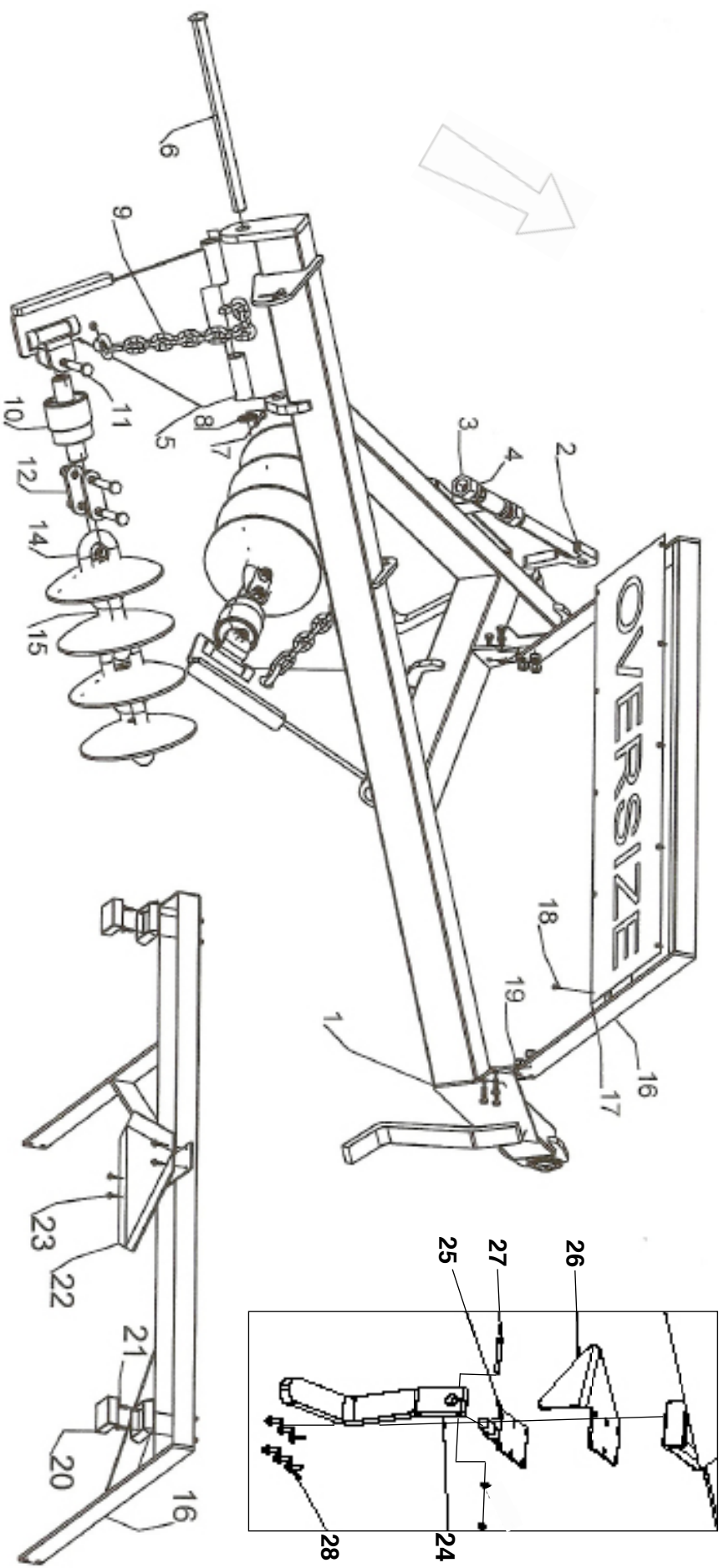
| Key  | Part No.                 | Part Name                   | Qty    | Description                            | Serial No. | Model          |
|------|--------------------------|-----------------------------|--------|--|------------|----------------|
| 25   | BOUM12155                | Centre M Mounting U Bolts   | 2<br>4 | U Bolt M12x155x77<br>Nyloc Nut M12     | 801-       | 50 60          |
| 26   | PC10-29-50<br>PC10-29-40 | Rear Module                 | 1      |  | 7022-      | 50 60<br>40 45 |
| 27   | BOM1650                  | Module Retaining Bolts      | 8<br>8 | Bolt M16 x 50mm<br>Nyloc Nut M16       |            |                |
| 28   | RCD19                    | Hydraulic Hose Clamp        | 5      | 2x RCD-19J<br>1x RCD-3PT<br>1x RCD-3BH |            |                |
| 29   | HC48-2938                | Hydraulic Cylinder          | 1      | Ag cylinder F-F 4" bore x 8"           |            |                |
| 30   | 44082938                 | Clevis Pin                  | 2      | 25x75mm cylinder clevis pin            |            |                |
| 31   | RClip4                   | Clevis Pin Retaining Clip   | 2      | R Clip 4mm                             |            |                |
| 32   | S91-1212                 | Elbow Adaptor               | 1      | 3/4" JIC - 3/4" UNO 90 deg<br>M-M      |            |                |
| 33   | S88-1212                 | Elbow 45 deg Adaptor        | 1      | 3/4" JIC - 3/4" UNO 45 deg<br>M-M      |            |                |
| **34 | EF0316SK                 | Hydraulic Cylinder Seal Kit |        | Suit Hydraulic Cylinder<br>HC48-2938   |            |                |



# Rear A Frame (Pg.2)

## Rear Tail

| Key  | Part No.                                 | Part Name                 | Qty              | Description   | Serial No.                    | Model                                       |
|------|--|---------------------------|------------------|---|-------------------------------|---|
| 1    | PC10-10                                  | Rear Tail Frame           | 1                | Welded Frame.   | 805-809-                      | 45R<br>all                                  |
| 2    | PC-10-45                                 | Tail Frame Adjusting Lug  | 1                | Adjustable cylinder mount.  | -10063                        | all   |
| 3    | N 1 1/2                                  | Adjustor Nut              | 2                | 1 1/2" BSW  | -10063                        | all   |
| 4    | WA S1 1/2                                | Lock Washer               | 2                | 1 1/2" Spring Washer  | -10063                        | all   |
| 5    | PC10-20<br>PC10-20-60                    | Chain Mount Arm           | 2                | Welded plate with swivel mount<br>50' sub. with PC108-20-60<br>Sub with PC10-21<br>Sub with PC10-21-60                                    | 601-807-9094-10063-<br>10063- | all<br>60<br>50<br>30 40 45<br>45R<br>50 60 |
| 6    | PC-10-51                                 | Pivot Pin                 | 2                | 35mm x 550mm  |                               |   |
| 7    | PIN C M10x63                             | Cotter Pin                | 2                | M10 x 63mm Cotter Pin<br>Sub with M12 x 65 Bolt and nyloc   | 10021-                        | All   |
| 8    | HTW138                                   | Thrust Washer             | 2                | 1 3/8" Hardened Washer  |                               |   |
| 9    | PCH24MCA                                 | Height Adjustor Chain     | 2                | 13mm chain assembly with eye nut,<br>M24x50 Cap Screw and M24 spring<br>washer  |                               |   |
| 10   | PCHB-55<br>PCHB-553                      | Swivel Unit               | 2<br>2           | 50mm shaft swivel unit<br>55mm shaft swivel unit<br>50' sub. with PCHB-553  | 601-807-9094-                 | all<br>60<br>50                             |
| 11   | BOM20110<br>NYLM20<br>BOM24120<br>NYLM24 | Swivel retaining bolt     | 6<br>6<br>6<br>6 | Bolt M20x110mm Grade 10.9<br>Nyloc Nut M20<br>Bolt M24x120mm Grade 10.9<br>Nyloc Nut M24<br>50' sub. with M24x120mm 10.9<br>Nyloc nut M24 | 740-<br>807-<br>9094-         | <br>60<br>50                                |
| 12   | PC83.2<br>PC83.3                         | Tie Plate                 | 4<br>4           | Side plates for joining swivel unit to<br>chain. 36mm & PCHCL1<br>50' sub. with PC83.3  | 201-<br>807-9094-             | all<br>60<br>50                             |
| **12 | PC82                                     | Tie Plate                 | 4                | Plate for joining 20mm Prickle Chain<br>to Swivel   | -807-807-9094-                | all<br>30 40 45 50<br>30 40 45              |
| 14   | PCDCS55<br>PCDCS60                       | Bush                      | 2<br>2           | 40x22x55mm steel bush<br>40x25x60mm steel bush<br>50' sub. with PCDCS60   | 807-9094-                     | all<br>60<br>50                             |
| 15   |  | Chain                     |                  | Refer to Page 44  |                               |   |
| 16   | PC10-32<br>PC10-32-US                    | Sign Frame                | 1                | Oversize Sign Bracket and frame.<br>SMV Sign Bracket and Frame  | 809-<br>805-                  | 40 45 50 60<br>45R                          |
| 17   | PC-OS                                    | Metal Oversize Sign       | 1                | Australia Only  |                               |   |
| 18   | SDS10G16x16                              | Sign Retaining Screws     | 10               | 10 Guage x 16mm SDS   |                               |   |
| 19   | BOM1240                                  | Frame Retaining Bolt      | 4                | Bolt M12x40mm Grade 8.8<br>Nyloc Nut M12  |                               |   |
| 20   | LED80RM                                  | Stop/Tail Lamp            | 2                | USA only  | 805-                          | 45R   |
| 21   | BOM625                                   | Tail lamp retaining bolts | 2                | Bolt M6x25<br>Nyloc nut M6<br>USA only  | 805-                          | 45R   |
| 22   | PC-SMV                                   | Slow Moving Vehicle Sign  | 1                | USA only  | 805-                          | 45R   |
| 23   | 620MZPHTF                                | SMV sign retaining screws | 4                | M6x20 Hex Thread Forming Bolt   | 805-                          | 45R   |
| 24   | PC10-100                                 | Tail Leg                  | 2                | A2 Rear Tail Leg<br>Sub with A4 Rear tail leg   | 90154-100116                  | all<br>all                                  |
| 25   | PC10-A2                                  | Tail Leg Mount            | 2                | A2 Flexitor<br>Sub with A4 Flexitor   | 90154-100116-                 | all<br>all                                  |
| 26   | PC182.1                                  | Flexitor Guard            | 2                | Guard for Flexitor left and right hand.<br>Sub with PC182.2   | 90154-100116-                 | all<br>all                                  |
| 27   | BOM825                                   | Tail Leg Retaining Bolt   | 2                | Bolt M8x25mm grade 8.8<br>Plain nut M10, Spring washer M10<br>Sub with M10x30mm bolt nut and<br>spring washer.                            | 90154-100116-                 | all<br>all                                  |
| 28   | STB825                                   | Flexitor Mounting Bolt    | 12               | M8x25 Self Tapping Bolt<br>Sub with M10x35 Bolt and Nyloc nut   | 90154-100116-                 | all<br>all                                  |

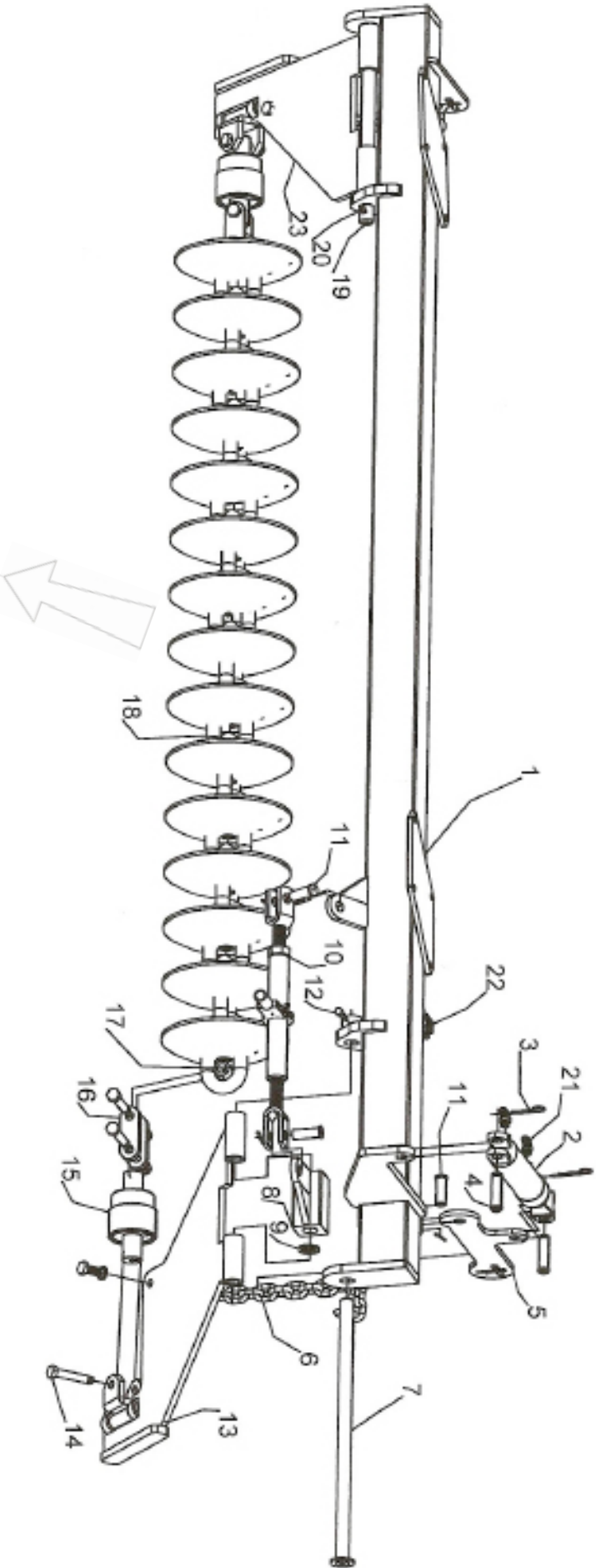


# Rear Tail

# Front Module

| Key  | Part No.                                 | Part Name                                   | Qty              | Description   | Serial No.   | Model                                 |
|------|--|---|------------------|---|--|---------------------------------------|
| 1    | PC10-28-50<br>PC10-28-40                 | Front Module Assembly                       | 1                | 125x125mm Beam Assembly   | 701-   | 50 60<br>40 45 45R                    |
| 2    | HC256-5041                               | Hydraulic Cylinder                          | 1                | Ag cylinder. Female - Female<br>2 1/2" x 6" Side Ported   | 601-   |                                       |
| 3    | RClip4                                   | Cylinder Pin Retaining Clip                 | 2                | 4mm R Clip  | 601-   |                                       |
| 4    | 44082938                                 | Clevis pin                                  | 2                | 25mm x 75mm   | 601-   |                                       |
| 5    | PC120.2                                  | Module Lift Arm                             | 1                |   | 701-   |                                       |
| 6    | PCH24MCA                                 | Height Adjustor Chain                       | 1                | 13mm chain welded assy with eye<br>nut, M24x50 Cap Screw and M24<br>spring washer                                       | 701-   |                                       |
| 7    | PC.10.755                                | Tension adjustor pivot pin                  | 1                | 35mm x 755mm pin  | 601-   |                                       |
| 8    | PC10-2875B                               | Tension Adjustor billet                     | 1                | 75mm billet drilled to 36mm with lug<br>for Ratchet Toplink.  | 601-100116   |                                       |
| 9    | WAHT138                                  | Thrust Washer                               | 2                | Hardened Flat Washer 13/8"  |  |                                       |
| 10   | 19RAJ013                                 | Ratchet Toplink                             | 1                | 8" adjustable link - F-F  | 601-100116   |                                       |
| 11   | KE-03-07-1                               | Clevis Pin                                  | 2<br>2           | 25mm x 75mm pin<br>Cotter pin 4mm x 50mm  | 601-100116   |                                       |
| 12   | BOM1065                                  | Pin retaining bolt                          | 1<br>1           | Bolt M10 x 65mm<br>Nyloc Nut M10<br>Sub with M12 x 65 Bolt and nyloc  | 10021-   | All                                   |
| 13   | PC10-21<br>PC10-21-60                    | Extended Chain Mount Arm                    | 1<br>1           | Sub with PC10-103F (Page 50,51)<br>50, sub. with PC108-21-60<br>Sub with PC10-103F-60                                   | 7022-100116<br>100116-<br>807-<br>9094-<br>100116- | all<br>40 45 45R<br>60<br>50<br>50 60 |
| 14   | BOM20110<br>NYLM20<br>BOM24120<br>NYLM24 | Swivel retaining bolt                       | 6<br>6<br>6<br>6 | Bolt M20x110 10.9<br>Nyloc Nut M20<br>Bolt M24x120 10.9<br>Nyloc Nut M24<br>50' sub. with M24x120 10.9<br>Nyloc nut M24 | 740-<br>807-<br>9094-                              | all<br>60<br>50                       |
| 15   | PCHB-55<br>PCHB-553                      | Swivel Unit                                 | 2<br>2           | 50mm shaft swivel unit<br>55mm shaft swivel unit<br>50' sub. with PCHB-553  | 601-<br>807-<br>9094-                              | all<br>60<br>50                       |
| 16   | PC83.2<br>PC83.3                         | Tie Plate                                   | 4<br>4           | Side plates for joining swivel unit to<br>chain. 36mm & PCHCL1<br>50' sub. with PC83.3                                  | 201-<br>807-<br>9094-                              | 60<br>50                              |
| **16 | PC82                                     | Tie Plate                                   | 4                | Plates for joining 20mm Prickle Chain<br>to Swivel  | -807<br>807-<br>9094-                              | all<br>30 40 45 50<br>30 40 45        |
| 17   | PCDCS55<br>PCDCS60                       | Bush  | 2<br>2           | 40x22x55mm steel bush<br>40x25x60 steel bush.<br>50' sub. with PCDCS60  | 807-<br>9094-                                      | all<br>60<br>50                       |
| 18   |  | Chain                                       |                  | Refer to Page 44  |  |                                       |
| 19   | PC-10-51                                 | Chain Mount Pivot Pin                       | 1                | 35mm pin x 550mm long   |  |                                       |
| 20   | PINCM1063                                | Cotter Pin                                  | 1                | M10 x 63mm cotter pin<br>Sub with M12 x 65 Bolt and nyloc   | 10021-   | All                                   |
| 21   | S90-1212                                 | Adaptor                                     | 2                | 3/4JIC - 3/4UNO M-M   |  |                                       |
| 22   | RCD19                                    | Hydraulic Hose Mount                        | 1                | 1xRCD-3PT<br>2xRCH-19J<br>1xRCD-3BH   |  |                                       |
| 23   | PC10-20<br>PC10-20-60<br>PC10-21         | Chain mount Arm<br>Extended Chain Mount Arm | 1<br>1<br>1      | 50' sub. with PC-108-20-60<br>CT machines only  | 601-<br>807-<br>9094-<br>7022-                     | all<br>60<br>50<br>40CT 45CT          |
| **24 | EF0006SK                                 | Hydraulic Cylinder Seal Kit                 |                  | Suit Hydraulic Cylinder<br>HC256-5041   |  |                                       |

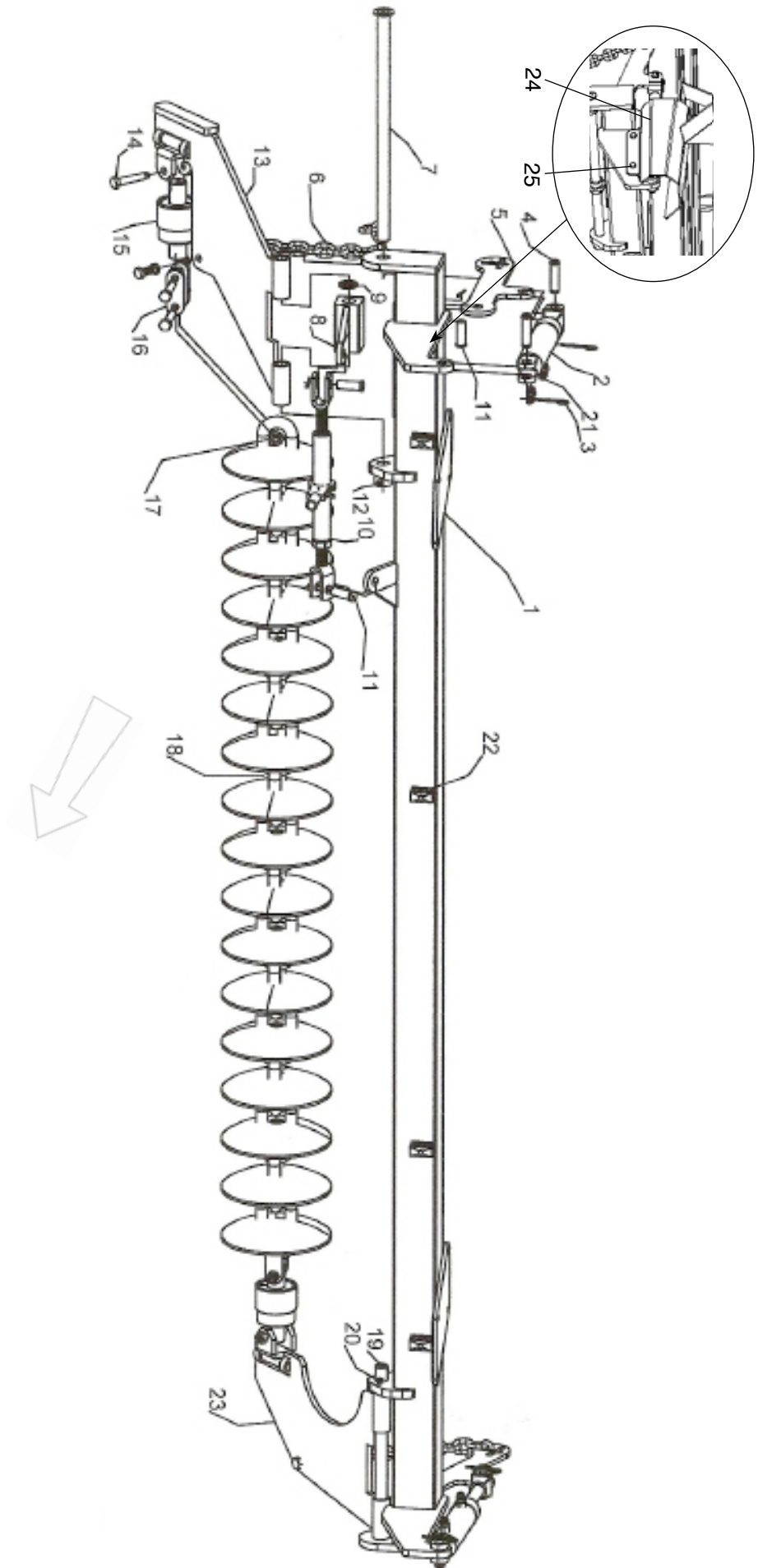




# Front Module

# Rear Module

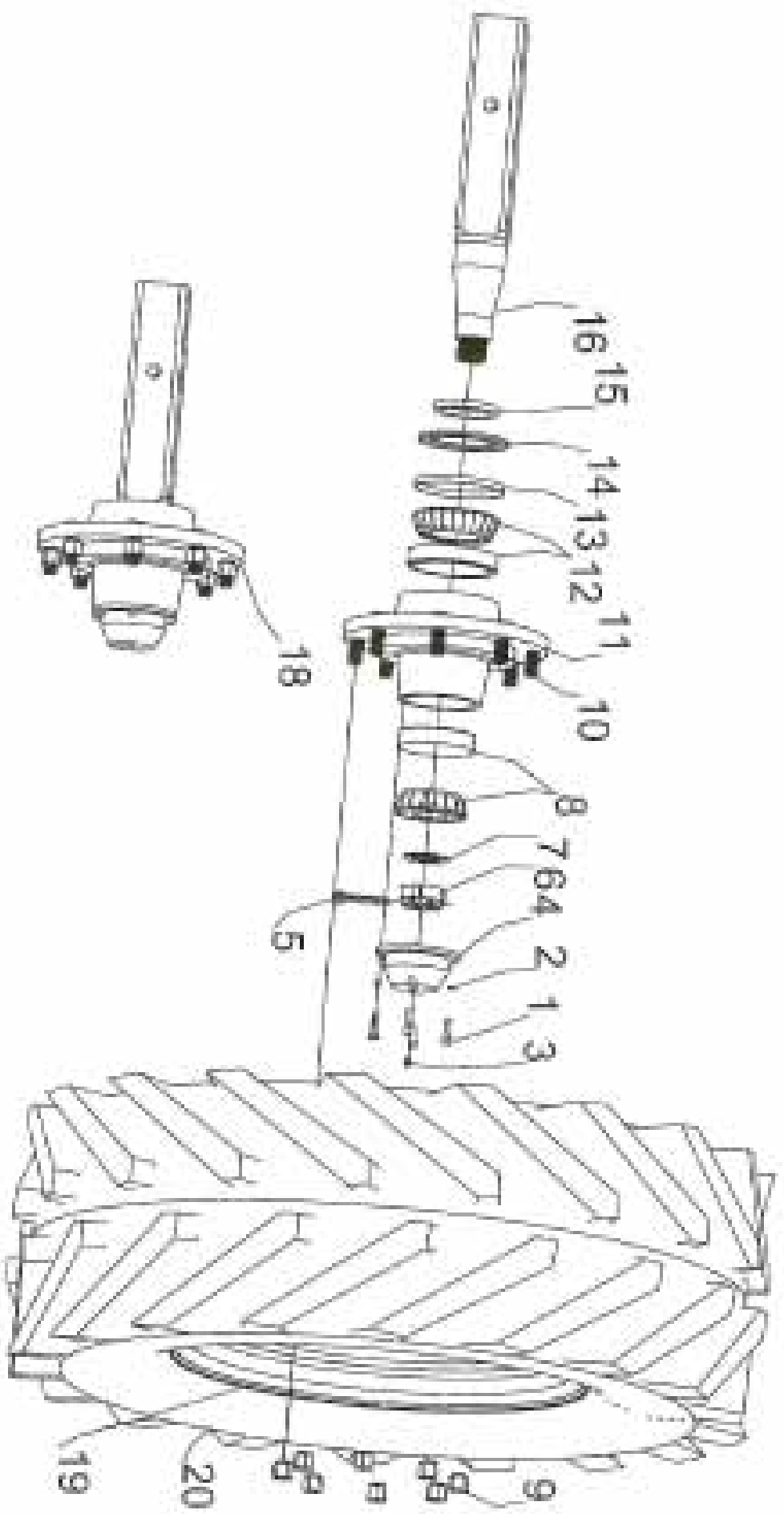
| Key  | Part No.                                 | Part Name                                   | Qty              | Description   | Serial No.                                  | Model                                 |
|------|--|---|------------------|---|---|---------------------------------------|
| 1    | PC107-29-50<br>PC107-29-40               | Rear Module Assembly                        | 1                | 125x125 welded beam assembly  | 701-  | 50 60<br>40 45 45R                    |
| 2    | HC256-5041                               | Hydraulic Cylinder                          | 2                | Hydraulic Cylinder<br>2 1/2" x 6" Side Ported. F - F  | 601-  |                                       |
| 3    | RClip4                                   | R Clip                                      | 4                | 4mm R Clip  |   |                                       |
| 4    | 44082938                                 | Clevis Pin                                  | 4                | 25mm x 75mm pin   |   |                                       |
| 5    | PC120.2                                  | Module Lift Arm                             | 2                |   | 701-  |                                       |
| 6    | PCH24MCA                                 | Height Adjustor Chain                       | 2                | 13mm chain welded assy with eye<br>nut, M24x50 Cap Screw and M24<br>spring washer                                       | 701-  |                                       |
| 7    | PC.10.755                                | Tension Adjustor pivot pin                  | 1                | 35mm x 755mm pin  |   |                                       |
| 8    | PC107-2875B                              | Tension Adjustor billet                     | 1                | 75mm billet drilled to 36mm with lug<br>for Ratchet Toplink   | 601-  |                                       |
| 9    | WAHT138                                  | Thrust Washer                               | 2                | Hardened Flat Washer 13/8"  |   |                                       |
| 10   | 19RAJ013                                 | Ratchet Toplink                             | 1                | 8" adjustable link F - F  |   |                                       |
| 11   | KE-03-07-1                               | Clevis Pin                                  | 2                | 25mm x 75mm pin   |   |                                       |
| 12   | BOM1065                                  | Pin Retaining bolt                          | 1<br>1           | Bolt M10 x 65<br>Nyloc Nut M10<br>Sub with M12 x 65 Bolt and nyloc  | 10021-                                      | all                                   |
| 13   | PC106-21<br>PC108-21-60                  | Chain Mount Arm                             | 1<br>1           | Sub with PC10-103R (Pg 50,51)<br>50' sub. with PC108-21-61<br>Sub with PC10-103R-60                                     | 7022-<br>100116<br>807-<br>9094-<br>100116- | all<br>40 45 45R<br>60<br>50<br>50 60 |
| 14   | BOM20110<br>NYLM20<br>BOM24120<br>NYLM24 | Swivel Retaining bolt                       | 6<br>6<br>6<br>6 | Bolt M20x110 10.9<br>Nyloc Nut M20<br>Bolt M20x110 10.9<br>Nyloc Nut M20<br>50' sub. with M24x120 10.9<br>Nyloc nut M24 | 807-<br>9094-                               | all<br>60<br>50                       |
| 15   | PCHB-55<br>PCHB-553                      | Swivel Unit                                 | 2<br>2           | 50mm shaft swivel unit<br>55mm shaft swivel unit<br>50, sub.with PCHB-553   | 601-<br>807-<br>9094-                       | all<br>60<br>50                       |
| 16   | PC83.2<br>PC83.3                         | Tie Plates                                  | 4<br>4           | Side plates for joining swivel unit to<br>chain. 36mm & PCHCL1<br>50' sub. with PC83.3                                  | 807-<br>9094-                               | all<br>60<br>50                       |
| **16 | PC82                                     | Tie Plates                                  | 4                | Plates for joining 20mm Prickle Chain<br>to Swivel.   | -807<br>807-<br>9094-                       | all<br>60<br>50                       |
| 17   | PCDCS55<br>PCDCS60                       | Bush  | 2<br>2           | 40x22X55mm spacer bush<br>40x25x60 steel bush<br>50' sub. with PCDCS60  | 807-<br>9094-                               | all<br>60<br>50                       |
| 18   |  | Chain                                       |                  | Refer to Page 44  |   |                                       |
| 19   | PC-10-51                                 | Chain Mount Arm Pivot Pin                   | 1                | 35mm pin x 550mm  |   |                                       |
| 20   | PINCM1063                                | Cotter Pin                                  | 1                | 10mm x 63mm Cotter Pin<br>Sub with M12 x 65 Bolt and nyloc  | 10021-                                      | all                                   |
| 21   | S90-1212                                 | Adaptor                                     | 2                | 3/4JIC - 3/4UNO M-M   |   |                                       |
| 22   | RCD19                                    | Hydraulic House Mount                       | 4                | 1xRCD-3PT<br>1XRCD-3BH<br>2XRCD-19J   |   |                                       |
| 23   | PC108-33<br>PC108-33-60<br>PC106-20      | Reducing Chain Mount Arm<br>Chain Mount Arm | 1<br>1<br>1      | 50' sub. with PC108-33-60<br>CT machines only   | 7022-<br>807-<br>9094-<br>7022-             | All<br>60<br>50<br>40CT 45CT          |
| 24   | PC167.3                                  | Module Cylinder Guard                       | 1                |   | 90131-                                      | all                                   |
| 25   | BOM1250<br>NYLM12                        | Cylinder Guard Mounting Bolt                | 2<br>2           | Bolt M12 x 50<br>Nyloc nut M12  | 90131-                                      | all                                   |
| **26 | EF0006SK                                 | Hydraulic Cylinder Seal Kit                 |                  | Suit Hydraulic Cylinder<br>HC256-5041   |   |                                       |



# Rear Module

## 90 Series Stub Axle - 60' Machines

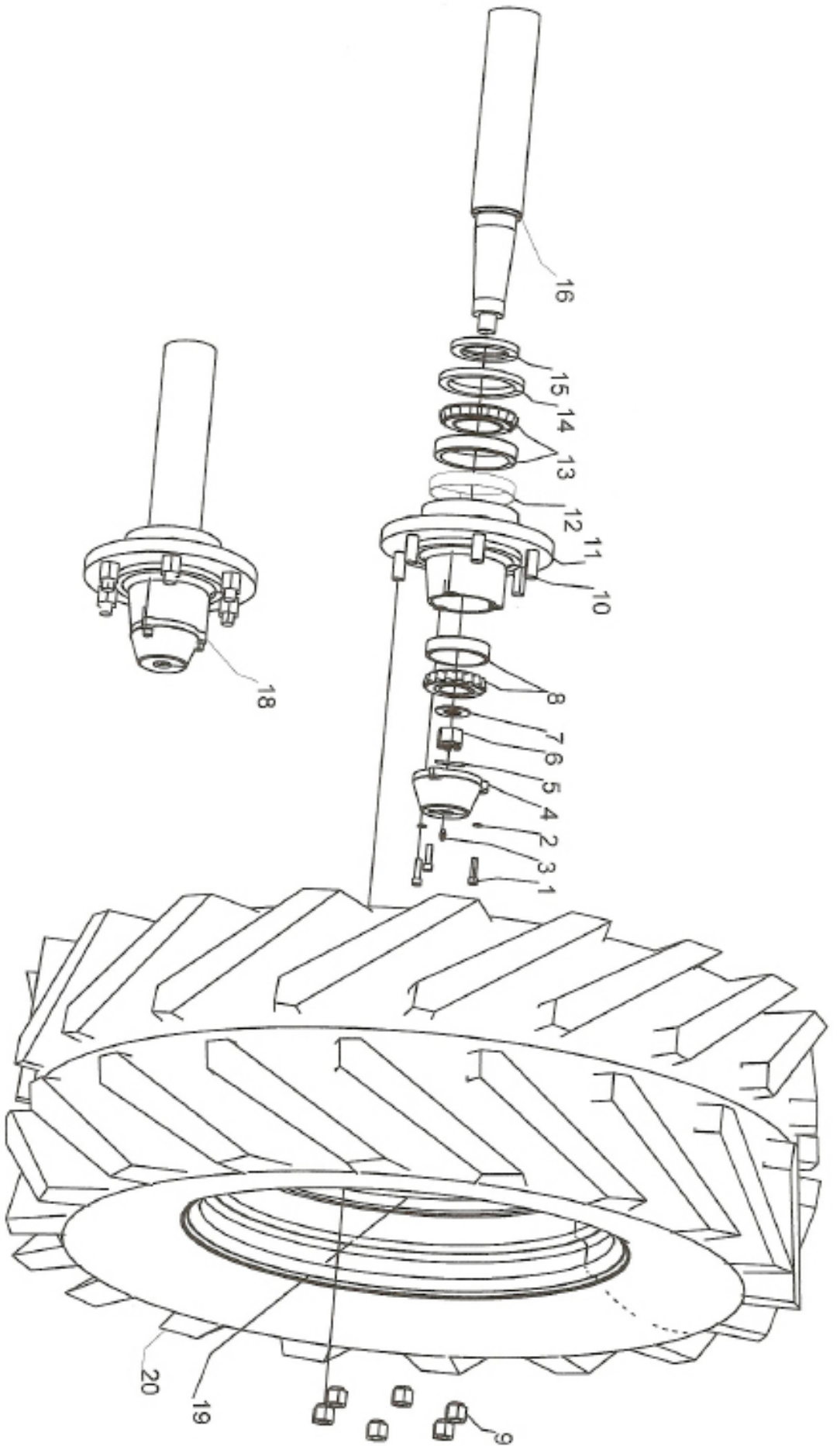
| Key  | Part No.                                   | Part Name   | Qty | Description   | Serial No.    | Model    |
|------|--|---|-----|---|---------------|----------|
| 1    | D/CapSC<br>920.000.862                     | Set Screw   | 4   | M6 x 1.0 x 20<br>Socket Head Cap Screw  |               |          |
| 2    | D/CapLW<br>920.001.909                     | Lock Washer   | 4   | M6 Ribbed Lock Washer   |               |          |
| 3    | GN 1/8                                     | Grease Nipple   | 1   | 1/8" BSP Straight   |               |          |
| 4    | D/Cap<br>033.175.070                       | Dust Cap  | 1   | 90 Series Bolt On Dust Cap  |               |          |
| 5    | PIN C M8x80                                | Cotter Pin  | 1   | M8 x 80 cotter pin  |               |          |
| 6    | NCASTM45                                   | Castle Nut  | 1   | M45 x 2 slotted castle nut  |               |          |
| 7    | WA FM134                                   | Flat Washer   | 1   | 1 3/4" gr8 Flat washer  |               |          |
| 8    | BE30311                                    | Bearing   | 1   | 30311<br>(55x120x31.5)  |               |          |
| 9    | WNutM20                                    | Wheel Nut   | 8   | M20 x 1.5 radiused<br>170.071.010   |               |          |
| 10   | WStudM20                                   | Stud  | 8   | M20 x 1.5 x 65  |               |          |
| 11   | 033.299.010<br>034.340.010                 | Hub   | 1   | 90Series Drilled and studded Hub 8<br>stud 275 pcd<br>8 stud 285.75 pcd for USA   | 901-<br>9074- | 60<br>60 |
| 12   | BE32216                                    | Bearing   | 1   | 32216<br>(140x80x35.25)   |               |          |
| 13   | 920.001.717                                | Wear Ring   | 1   | 2mm pressed steel ring  |               |          |
| 14   | 920.000.763                                | Seal  | 1   | Triple Lip Seal<br>140x100x12   |               |          |
| 15   | 033.140.050                                | Seal Ring   | 1   | 80x100x12 ring  |               |          |
| 16   | AXLETA90R                                  | 90 Square Stub Axle                                   | 1   | Titan Andy 90mm square stub axle.<br>Machined and drilled for retaining<br>bolt.  |               |          |
| **17 | HUBTA90R                                   | Complete Hub  |     | Includes No. 1 - 15   | 901-          | 60       |
| 18   | Axle90R8Stud<br>034.299.010<br>034.340.010 | Stub Axle Assembly complete<br>USA Stub Axle Assembly |     | Includes No. 1 - 16   | 901-<br>9074- | 60<br>60 |
| 19   | RIM24138                                   | Rim   |     | 24" x 13" 8 Stud 275 PCD<br>16mm centre +19mm offset<br>8 stud 285.75 pcd for USA | 901-<br>9074- | 60<br>60 |
| 20   | Tyre16.5x24                                | Tyre  |     | BKT 16.5/85-24 12 PR  | 901-          | 60       |



# 90 Series Stub Axle - 60' Machines

## 75 Series Stub Axle - 50' Machines

| Key  | Part No.               | Part Name                   | Qty | Description   | Serial No.      | Model       |
|------|------------------------|-----------------------------|-----|---|-----------------|-------------|
| 1    | D/CapSC<br>920.000.893 | Set Screw                   | 3   | M8 x 1.5 x 30<br>Socket Head Cap Screw                          |                 |             |
| 2    | D/CapLW<br>920.001.887 | Lock Washer                 | 3   | M8 Spring Washer  |                 |             |
| 3    | GN 1/8                 | Grease Nipple               | 1   | 1/8" BSP Straight   |                 |             |
| 4    | D/Cap<br>033.131.040   | Dust Cap                    | 1   | 75 Series Bolt On Dust Cap                                      |                 |             |
| 5    | PIN C M4x50            | Cotter Pin                  | 1   | M4 x 50 cotter pin  |                 |             |
| 6    | NCASTM39               | Castle Nut                  | 1   | M39 x 2 slotted castle nut                                      |                 |             |
| 7    | WA FM39                | Flat Washer                 | 1   | 39mm  |                 |             |
| 8    | BE32210                | Bearing                     | 1   | 32210<br>(50x90x24.75)  |                 |             |
| 9    | WNutM18                | Wheel Nut                   | 6   | M18 x 1.5 radiused<br>170.056.010                               |                 |             |
| 10   | WStudM18               | Stud                        | 6   | M18 x 1.5 x 60  |                 |             |
| 11   | 033.131.080            | Hub                         | 1   | 75 Series Drilled and studded Hub 6<br>stud 205 pcd             |                 |             |
| 12   | 920.001.317            | Seal Wear Ring              | 1   | 2mm pressed steel ring  |                 |             |
| 13   | BE32213                | Bearing                     | 1   | 32213<br>(65x120x32.75)   |                 |             |
| 14   | 920.000.765            | Seal                        | 1   | Triple Lip Seal<br>125x90x12                                    |                 |             |
| 15   | 033.158.030            | Seal Ring                   | 1   | 65x90x12 ring   |                 |             |
| 16   | AXLETA70R              | 70 Round Stub Axle          | 1   | Titan Andy 70mm round stub axle.<br>Drilled for retaining bolt. |                 |             |
| **17 | HUBTA70R               | Complete Hub                |     | Includes No. 1 - 14   | 501-<br>501-900 | 50<br>50 60 |
| 18   | Axle75R6Stud           | Stub Axle Assembly complete |     | Includes No. 1 - 15   | 501-<br>501-900 | 50<br>50 60 |
| 19   | RIM24126               | Rim                         |     | 24" x 12" 6 Stud 205 PCD<br>500.615.010                         | 501-<br>501-900 | 50<br>50 60 |
| 20   | Tyre15.5x24            | Tyre                        |     | OyImpic Gripster<br>15.5/80-24 12 PR                            | 501-<br>501-900 | 50<br>50 60 |



# 75 Series Stub Axle - 50' Machine

Revision 06/10

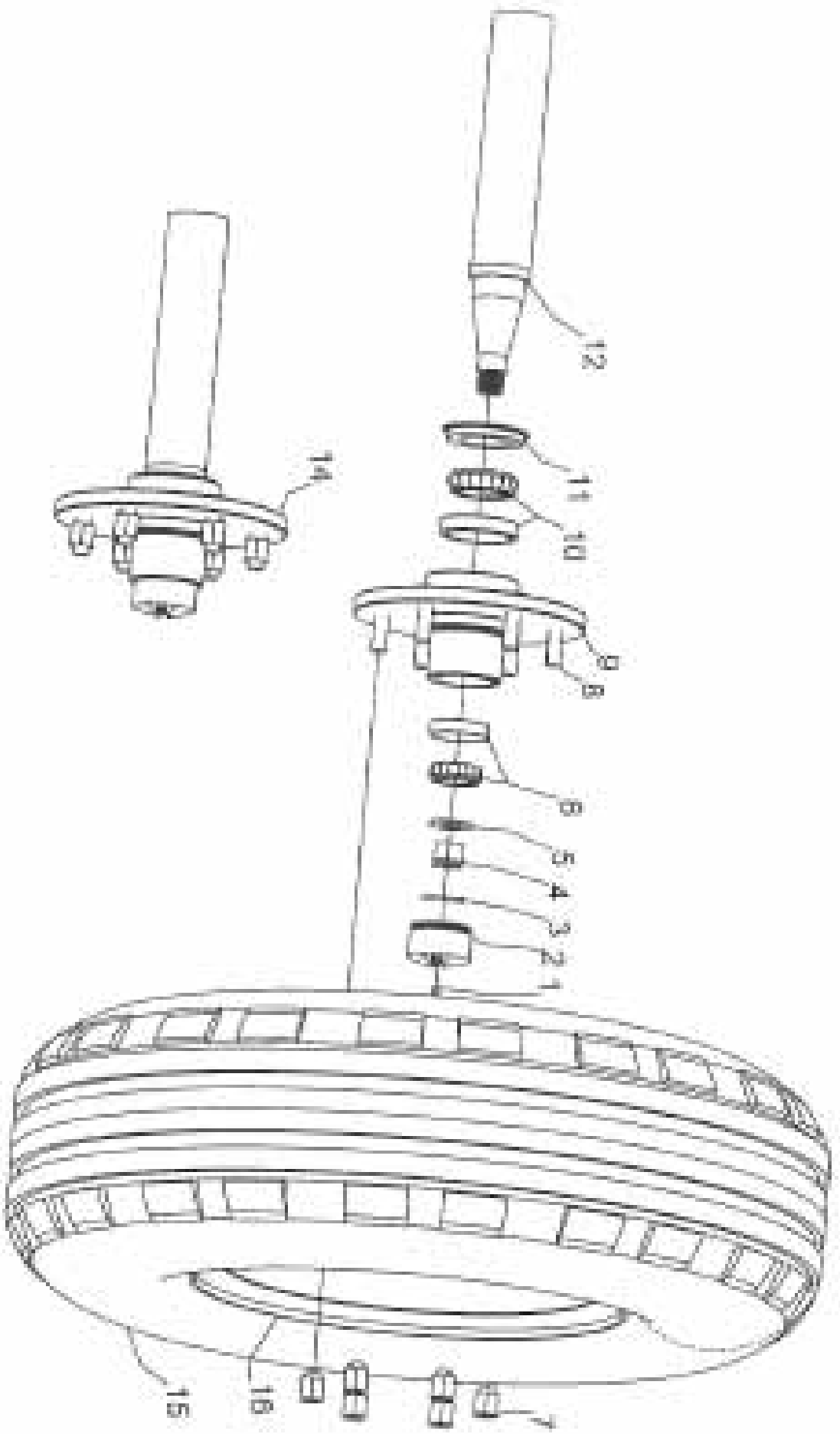
## SH275946205 Stub Axle - 30',40',45' (Up to 20/10/09)

| Key  | Part No.       | Part Name                   | Qty | Description  | Serial No.     | Model             |
|------|----------------|-----------------------------|-----|--|----------------|-------------------|
| 1    | GN 1/8         | Grease Nipple               | 1   | 1/8" BSP Straight  |                |                   |
| 2    | D/Cap4T        | Dust Cap                    | 1   | 70mm Screw in Grease Cap   | 901-           | 30 40 45          |
| 3    | PIN C M4x50    | Cotter pin                  | 1   | M4 x 50 cotter pin   |                |                   |
| 4    | NCAST1         | Castle Nut                  | 1   | 1" UNF slotted castle nut  |                |                   |
| 5    | WA FM24        | Flat Washer                 | 1   | 24mm   |                |                   |
| 6    | BE32008X       | Bearing                     | 1   | 32008X<br>(40x68x19)   |                |                   |
| 7    | WNut34         | Wheel Nut                   | 6   | 3/4 UNF Radiused   |                |                   |
| 8    | WStud34        | Stud                        | 6   | 2"x3/4" UNF  |                |                   |
| 9    | H946205        | Hub                         | 1   | Drilled and studded bare hub<br>6 stud on 8.125" PCD                     |                |                   |
| 10   | BE32011XJ      | Bearing                     | 1   | 32011XJ<br>(52x90x23)  |                |                   |
| 11   | KEAP7M2        | Seal                        | 1   | 90x65x10mm + flange dirt exclusion seal.                                 |                |                   |
| 12   | 275R4TKE       | Stub Axle                   | 1   | 2 3/4 round x 450mm OA stub.<br>300mm x 2.75" machined rear spigot.      |                |                   |
| **13 | HB946205       | Complete Hub                | 1   | Includes No.1 - 11   |                |                   |
| 14   | SH275946205    | Stub Axle Assembly Complete | 1   | Includes No. 1 - 12  | 6045-          | 40 45             |
| 15   | Tyre12.5/80x18 | Tyre                        | 1   | 12.5/80 18 14 ply ribbed tyre<br>Sub with 15.0/70 18 16 ply ribbed tyre. | 6045-<br>-1001 | 40 45<br>30 40 45 |
| 16   | Rim10x18       | Rim                         | 1   | 18" x 10" 6 Stud on 8.125" PCD<br>Sub with 18"x13" 6 Stud on 205 PCD     | 6045-<br>-1001 | 40 45<br>30 40 45 |

## SH275966205 Stub Axle - 30',40',45' (From 20/10/09)

| Key  | Part No.       | Part Name                   | Qty | Description   | Serial No. | Model    |
|------|----------------|-----------------------------|-----|---|------------|----------|
| 1    |                |                             |     |   |            |          |
| 2    | D/Cap6T        | Dust Cap                    | 1   | 95mm Screw in Grease Cap  |            |          |
| 3    | PIN C M5x40    | Cotter pin                  | 1   | M6 x 50 cotter pin  |            |          |
| 4    | NCAST114       | Castle Nut                  | 1   | M1 1/4" slotted castle nut  |            |          |
| 5    | WA FM30        | Flat Washer                 | 1   | M30 Flat Washer   |            |          |
| 6    | BE33011        | Bearing                     | 1   | 33011   |            |          |
| 7    | WNut18         | Wheel Nut                   | 6   | M18x1.6 Radiused  |            |          |
| 8    | WSM181660      | Stud                        | 6   | M18x1.6x60  |            |          |
| 9    | H966205        | Hub                         | 1   | Drilled and studded bare hub<br>6 stud on 205 PCD                   |            |          |
| 10   | BE33011        | Bearing                     | 1   | 33011   |            |          |
| 11   | KEAP7M2        | Seal                        | 1   | 90x65x10mm + flange dirt exclusion seal.                            |            |          |
| 12   | 275R6TKE       | Stub Axle                   | 1   | 2 3/4 round x 460mm OA stub.<br>300mm x 2.75" machined rear spigot. |            |          |
| **13 | HB966205       | Complete Hub                | 1   | Includes No.2 - 11  |            |          |
| 14   | SH275966205    | Stub Axle Assembly Complete | 1   | Includes No. 2 - 12   |            |          |
| 15   | Tyre15.0/70x18 | Tyre                        | 1   | 15.0/70 18 16 ply ribbed tyre                                       | 1001-      | 30 40 45 |
| 16   | Rim18x13       | Rim                         | 1   | 18" x 13" 6 Stud on 205 PCD   | 1001-      | 30 40 45 |





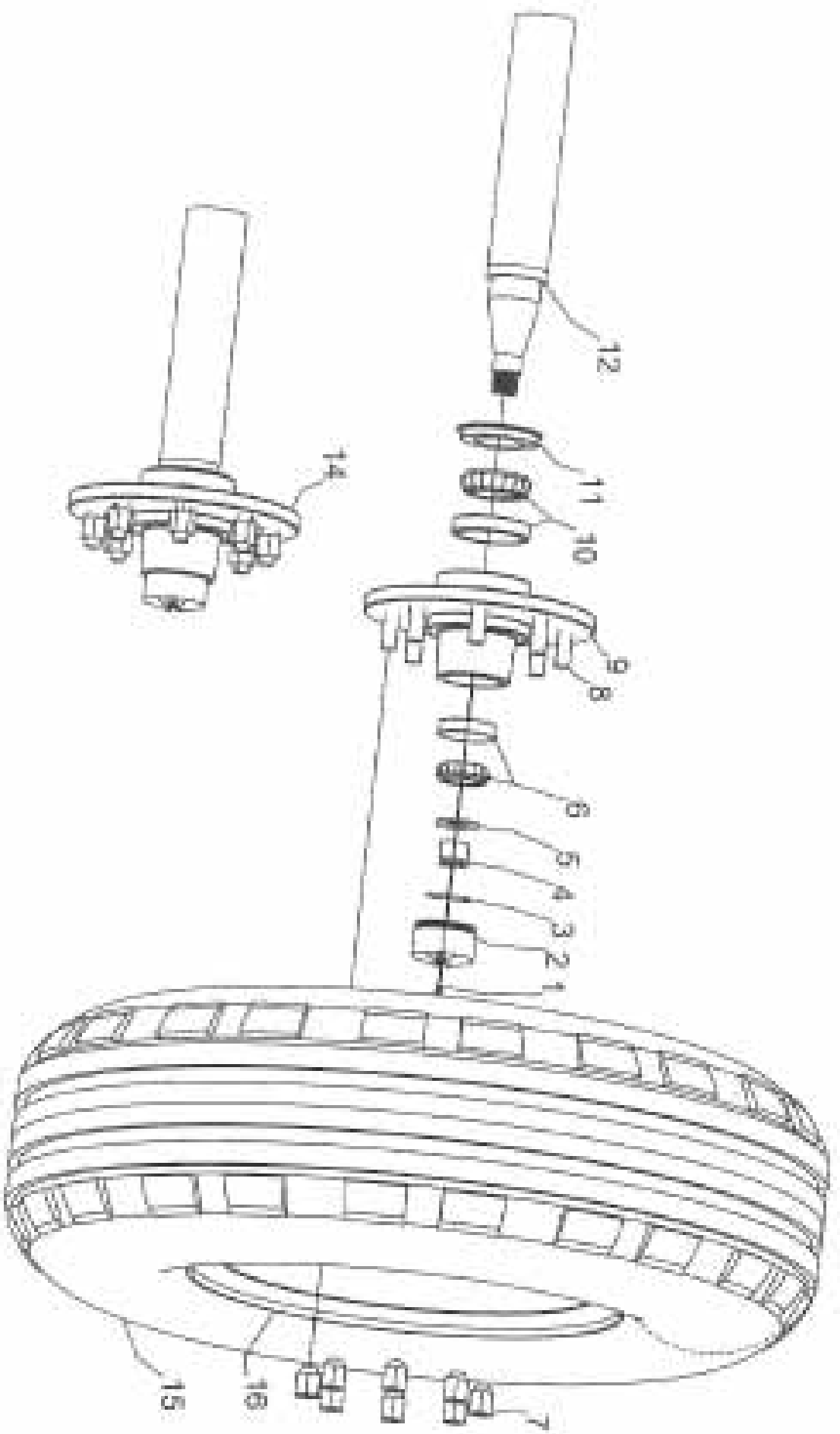
# SH275946205/SH275966205 Stub Axle - 30', 40', 45' Machines

## SH27594880 Stub Axle - 30',40',45' USA (Up to 9/10/09)

| Key  | Part No.    | Part Name                   | Qty | Description   | Serial No. | Model |
|------|-------------|-----------------------------|-----|---|------------|-------|
| 1    | GN 1/8      | Grease Nipple               | 1   | 1/8" BSP Straight   |            |       |
| 2    | D/Cap4T     | Dust Cap                    | 1   | 70mm Screw in Grease Cap  | 901-       | 45R   |
| 3    | PIN C M4x50 | Cotter pin                  | 1   | M4 x 50 cotter pin  |            |       |
| 4    | NCAST1      | Castle Nut                  | 1   | 1" UNF slotted castle nut   |            |       |
| 5    | WA FM24     | Flat Washer                 | 1   | 24mm  |            |       |
| 6    | BE32008X    | Bearing                     | 1   | 32008X<br>(40x68x19)  |            |       |
| 7    | WNut34      | Wheel Nut                   | 8   | 3/4 UNF Radiused  |            |       |
| 8    | WStud34     | Stud                        | 8   | 2"x3/4" UNF   |            |       |
| 9    | H94880      | Hub                         | 1   | Drilled and studded bare hub<br>8 stud on 8" PCD                    |            |       |
| 10   | BE32011XJ   | Bearing                     | 1   | 32011XJ<br>(52x90x23)   |            |       |
| 11   | KEAP7M2     | Seal                        | 1   | 90x65x10mm + flange dirt exclusion seal.                            |            |       |
| 12   | 275R4TKE    | Stub Axle                   | 1   | 2 3/4 round x 450mm OA stub.<br>300mm x 2.75" machined rear spigot. |            |       |
| **13 | HB94880     | Complete Hub                | 1   | Includes No.1 - 11  |            |       |
| 14   | SH94880     | Stub Axle Assembly Complete | 1   | Includes No. 1 - 12   | 8083-10042 | 45R   |
| 15   | 16.5/16.1L  | Tyre                        | 1   | 14ply Ribbed flotation tyre   | 8083-10042 | 45R   |
| 16   | Rim14x16.1  | Rim                         |     | 16.1" x 14" 8 stud on 8" PCD  | 8083-10042 | 45R   |

## SH27596880 Stub Axle - 30',40',45' USA (From 9/10/09)

| Key  | Part No.    | Part Name                   | Qty | Description   | Serial No. | Model |
|------|-------------|-----------------------------|-----|---|------------|-------|
| 1    |             |                             |     |   |            |       |
| 2    | D/Cap6T     | Dust Cap                    | 1   | 95mm Screw in Grease Cap  |            |       |
| 3    | PIN C M6x50 | Cotter pin                  | 1   | M6 x 50 cotter pin  |            |       |
| 4    | NCAST114    | Castle Nut                  | 1   | 1 1/4" slotted castle nut   |            |       |
| 5    | WA FM30     | Flat Washer                 | 1   | M30 Flat Washer   |            |       |
| 6    | BE33011     | Bearing                     | 1   | 33011   |            |       |
| 7    | WNut916     | Wheel Nut                   | 8   | 9/16 UNF 90deg taper  |            |       |
| 8    | WStud916    | Stud                        | 8   | 9/16" UNF   |            |       |
| 9    | H94880      | Hub                         | 1   | Drilled and studded bare hub<br>8 stud on 8" PCD                    |            |       |
| 10   | BE33011     | Bearing                     | 1   | 33011   |            |       |
| 11   | KEAP7M2     | Seal                        | 1   | 90x65x10mm + flange dirt exclusion seal.                            |            |       |
| 12   | 275R6TKE    | Stub Axle                   | 1   | 2 3/4 round x 460mm OA stub.<br>300mm x 2.75" machined rear spigot. |            |       |
| **13 | HB96880     | Complete Hub                | 1   | Includes No. 2 - 11   |            |       |
| 14   | SH96880     | Stub Axle Assembly Complete | 1   | Includes No. 2 - 12   | 10050-     | 45R   |
| 15   | 16.5/16.1L  | Tyre                        | 1   | 14ply Ribbed flotation tyre   | 8083-      | 45R   |
| 16   | Rim14x16.1  | Rim                         |     | 16.1" x 14" 8 stud on 8" PCD  | 8083-      | 45R   |



**SH27594880/SH27596880 Stub Axle - 30', 40', 45' USA Machines**

# K50CT6S - 6 Stud Kelly Hub. Toyota Pattern 15" Wheels

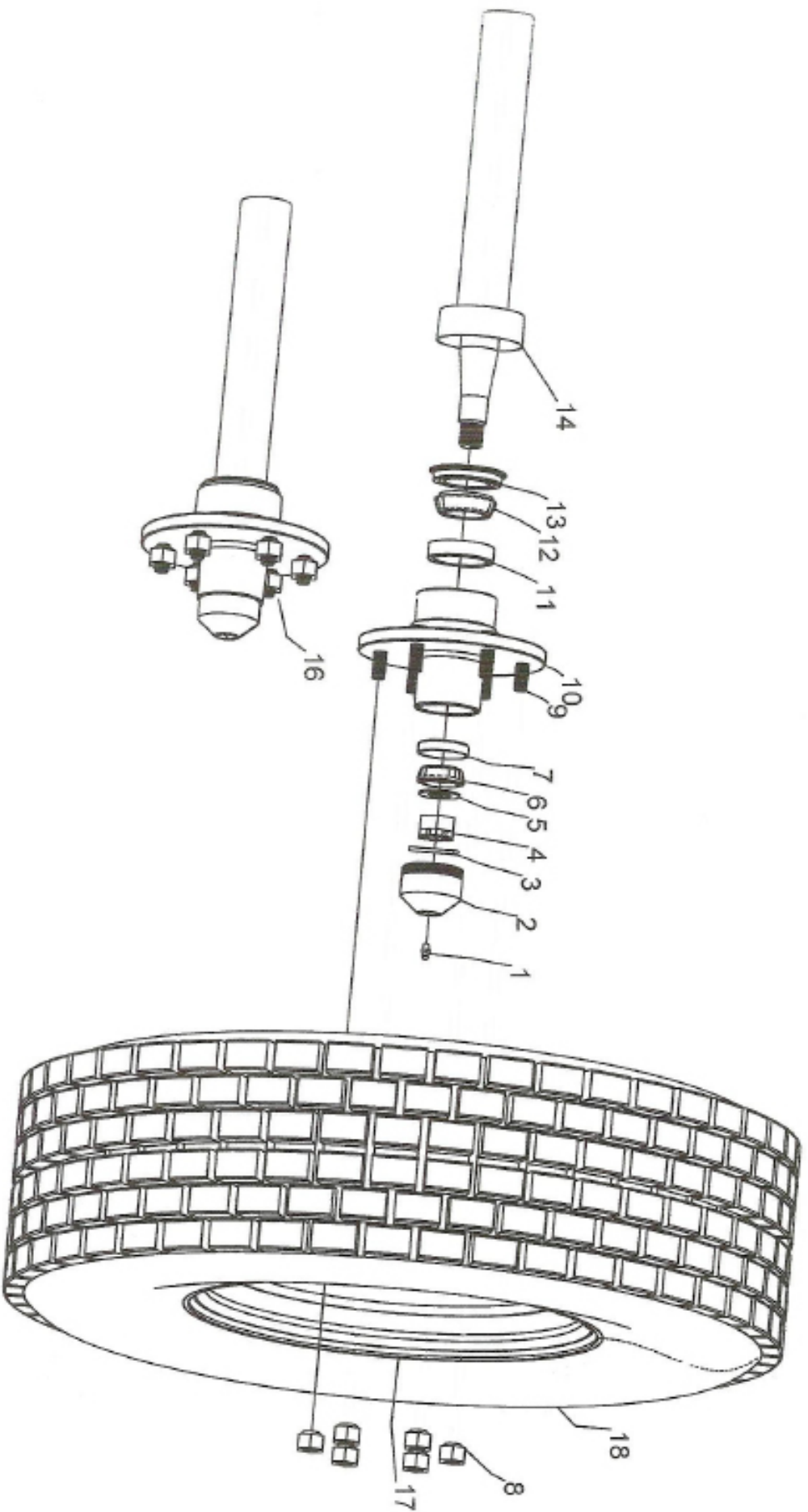
**Up to 26/11/09**

| Key  | Part No.      | Part Name                                | Qty | Description  | Serial No. | Model |
|------|---------------|--|-----|--|------------|-------|
| 1    | GN 1/4"       | Grease Nipple                            | 1   | 1/4" UNF Straight  |            |       |
| 2    | D/Cap C Screw | Dust Cap Screw in C Class                | 1   | Cast Aluminium cap with Slot and grease nipple guard                 | 501-       | all   |
| 3    | PIN C M4x30   | Cotter Pin                               | 1   | M4 x 30mm Cotter pin   |            |       |
| 4    | NCAS78        | Castle Nut                               | 1   | 7/8" UNF Slotted Nut   |            |       |
| 5    | WAF 7/8       | Washer                                   | 1   | 7/8" Flat Washer   |            |       |
| 6    | LM44649       | Bearing                                  | 1   |  |            |       |
| 7    | LM44610       | Cone                                     | 1   |  |            |       |
| 8    | NWH1/2        | Wheel Nut                                | 6   | 1/2" UNF   |            |       |
| 9    | WSTUD1/2      | Wheel Stud                               | 6   | 1/2" x 1 1/2" UNF  |            |       |
| 10   | HUBCKE        | Kelly C Class Hub<br>T.L.C 6 Stud        | 1   | Drilled and Studded bare hub<br>6 stud on 5.5" PCD                   |            |       |
| 11   | LM29710       | Cone                                     | 1   |  |            |       |
| 12   | LM29749       | Bearing                                  | 1   |  |            |       |
| 13   | Seal NAK1750  | Seal                                     | 1   | Multi Element NAK Seal<br>1.750 x 2.625 x .33                        | 601-       | .     |
| 14   | Axle50R300    | 50R Axle with Shield                     | 1   | 50mm round stub axle with seal<br>shield. Drilled for retaining bolt | 401-       |       |
| **15 | HUBCKEC       | Kelly C Class Hub Complete.              | 1   | No. 1 - 13   | 101-       |       |
| 16   | K50CT6S       | Stub Assembly with Kelly C Class<br>Hub. | 1   | No. 1 - 14   | 401-       |       |
| 17   | RIM15TLC      | Rim                                      |     | RIM 15" LC 6 Stud White  |            |       |
| 18   | TYRE 31X10.5  | Tyre                                     |     | TYRE 31X10.5R15  |            |       |

# K5083T66S - 6 Stud on 6" PCD Hub. 11L15 Wheels

**From 26/11/09**

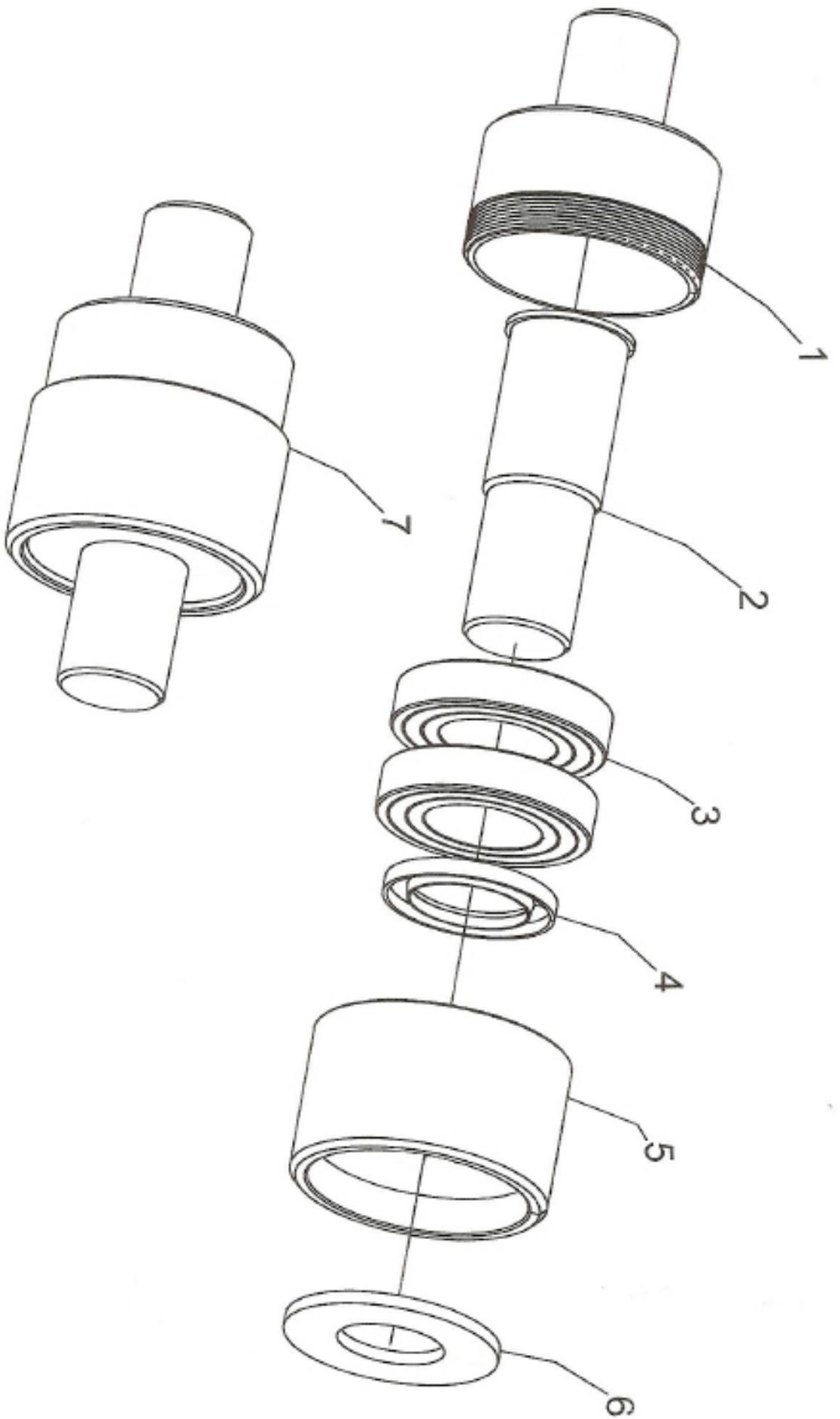
| Key   | Part No.    | Part Name                               | Qty | Description  | Serial No. | Model |
|-------|-------------|---|-----|--|------------|-------|
| 1     | GN 1/4"     | Grease Nipple                           | 1   | 1/4" UNF Straight  |            |       |
| 2     | D/Cap4T     | Dust Cap                                | 1   | 70mm Screw in Grease Cap   |            |       |
| 3     | PIN C M5x40 | Cotter Pin                              | 1   | M6 x 50mm Cotter pin   |            |       |
| 4     | NCAS114     | Castle Nut                              | 1   | 1 1/4" UNF Slotted Nut   |            |       |
| 5     | WAFM30      | Washer                                  | 1   | 30m Flat Washer  |            |       |
| 6/7   | 30210J      | Bearing                                 | 1   | Large bearing and cone   |            |       |
| 8     | NWH1/2      | Wheel Nut                               | 6   | 1/2" UNF   |            |       |
| 9     | WSTUD1/2    | Wheel Stud                              | 6   | 1/2" x 1 1/2" UNF  |            |       |
| 10    | H83660      | Hub                                     | 1   | Drilled and Studded bare hub<br>6 stud on 6" PCD                       |            |       |
| 11/12 | LM29749/10  | Bearing                                 | 1   | Small bearing and cone   |            |       |
| 13    | Seal 64607  | Seal                                    | 1   | 90x60.3x10mm + flange dirt exclusion<br>seal.                          |            |       |
| 14    | AxleK5083TS | 50.8 Axle with Shield                   | 1   | 50.8mm round stub axle with seal<br>shield. Drilled for retaining bolt |            |       |
| **15  | HB83660     | 6 on 6" Hub Complete.                   | 1   | No. 1 - 13   |            |       |
| 16    | K5083T66S   | 6 on 6" hub abd stub Stub As-<br>sembly | 1   | No. 1 - 14   |            |       |
| 17    | RIM815      | Rim                                     |     | RIM 15"x8" 6 on 6" PCD   |            |       |
| 18    | TYRE 11L15  | Tyre                                    |     | TYRE 11L15 Ribbed  |            |       |



**K50CT6S - 6 Stud Kelly Hub. Toyota Pattern 15" Wheels**  
**K5083T66S - 6 Stud on 6" PCD Hub. 11L15 Wheels.**

## PCHB-55 Swivel Unit

| Key | Part No. | Part Name                               | Qty | Description  | Serial No.   | Model        |
|-----|----------|---|-----|--|--------------|--------------|
| 1   | PCHB55H  | Housing                                 | 1   | Threaded Housing W/50mm Shaft<br>Drilled for 20mm Bolt |              |              |
| 2   | PCHBS55  | Shaft                                   | 1   | Stepped shaft 55 - 50mm Drilled for<br>20mm bolt       |              |              |
| 3   | BE6211   | Bearing                                 | 2   | Sealed Ball Bearings 6211 2RS                          |              |              |
| 4   | TC5588   | Seal                                    | 1   | TC 55 x 80 x 8   |              |              |
| 5   | PCHB55C  | Outer Cap                               | 1   | Threaded Cap and Bearing Retainer                      |              |              |
| 6   | PCHB55WA | Washer - Shield                         | 1   | Seal Protection Shield                                 |              |              |
| 7   | PCHB-55  | Chain Swivel Complete<br>Rotating Union |     | Includes No. 1 - 6                                     | 201-<br>501- | 50 60<br>all |

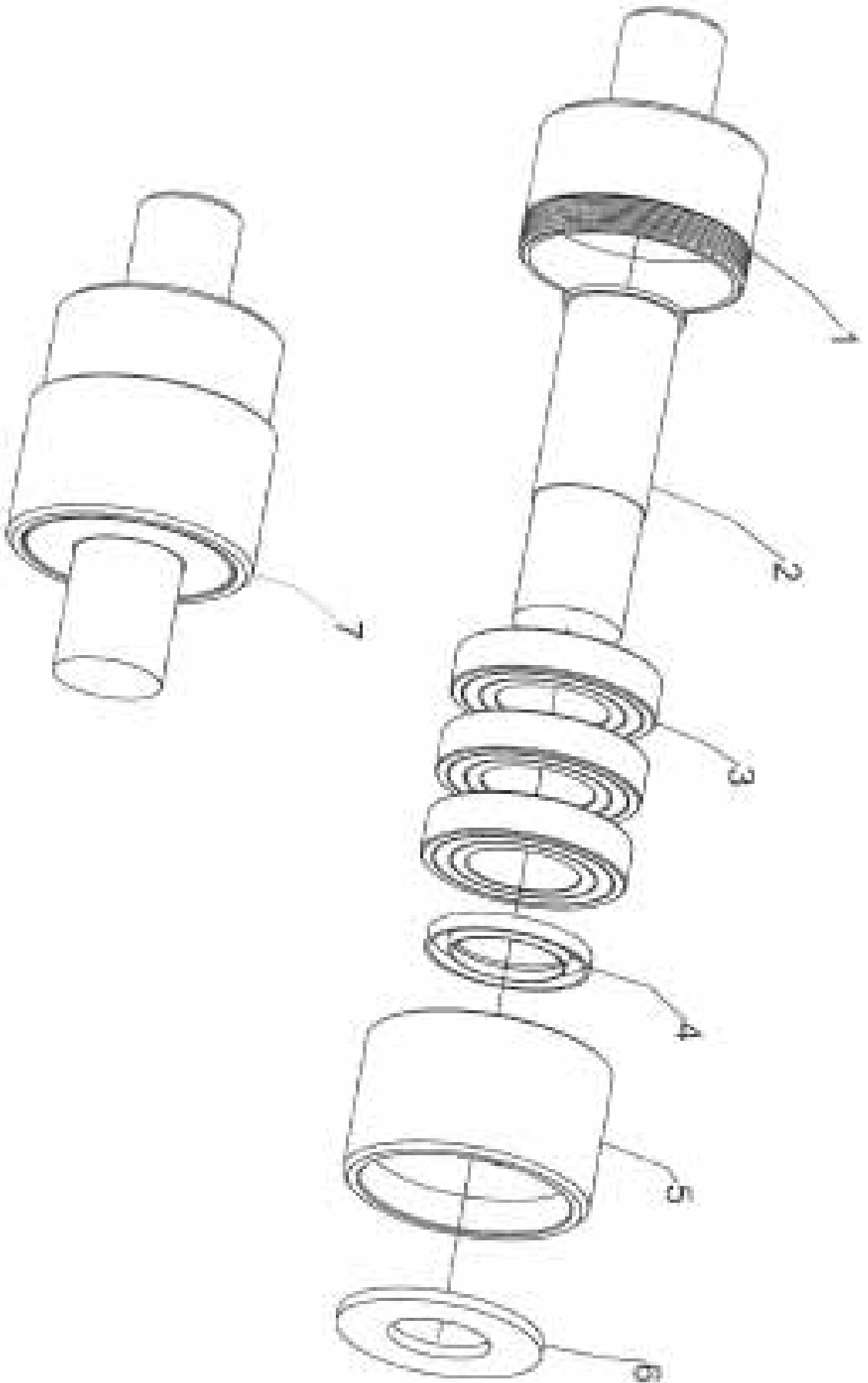


## PCHB-55 Swivel Unit

# PCHB-553 Swivel Unit

| Key | Part No.  | Part Name                               | Qty | Description  | Serial No. | Model |
|-----|-----------|---|-----|--|------------|-------|
| 1   | PCHB553H  | Housing                                 | 1   | Threaded Housing W/60mm Shaft<br>Drilled for 24mm Bolt |            |       |
| 2   | PCHBS553  | Shaft                                   | 1   | Stepped shaft 60 - 58mm Drilled for<br>24mm bolt       |            |       |
| 3   | BE6211    | Bearing                                 | 3   | Sealed ball bearings 6211 2RS                          |            |       |
| 4   | TC5588    | Seal                                    | 1   | TC 55 x 80 x 8   |            |       |
| 5   | PCHB553C  | Outer Cap                               | 1   | Threaded Cap and Bearing Retainer                      |            |       |
| 6   | PCHB553WA | Washer - Shield                         | 1   | Seal Protection Shield                                 |            |       |
| 7   | PCHB-553  | Chain Swivel Complete<br>Rotating Union |     | Includes No. 1 - 6                                     | 8080-      | 60    |



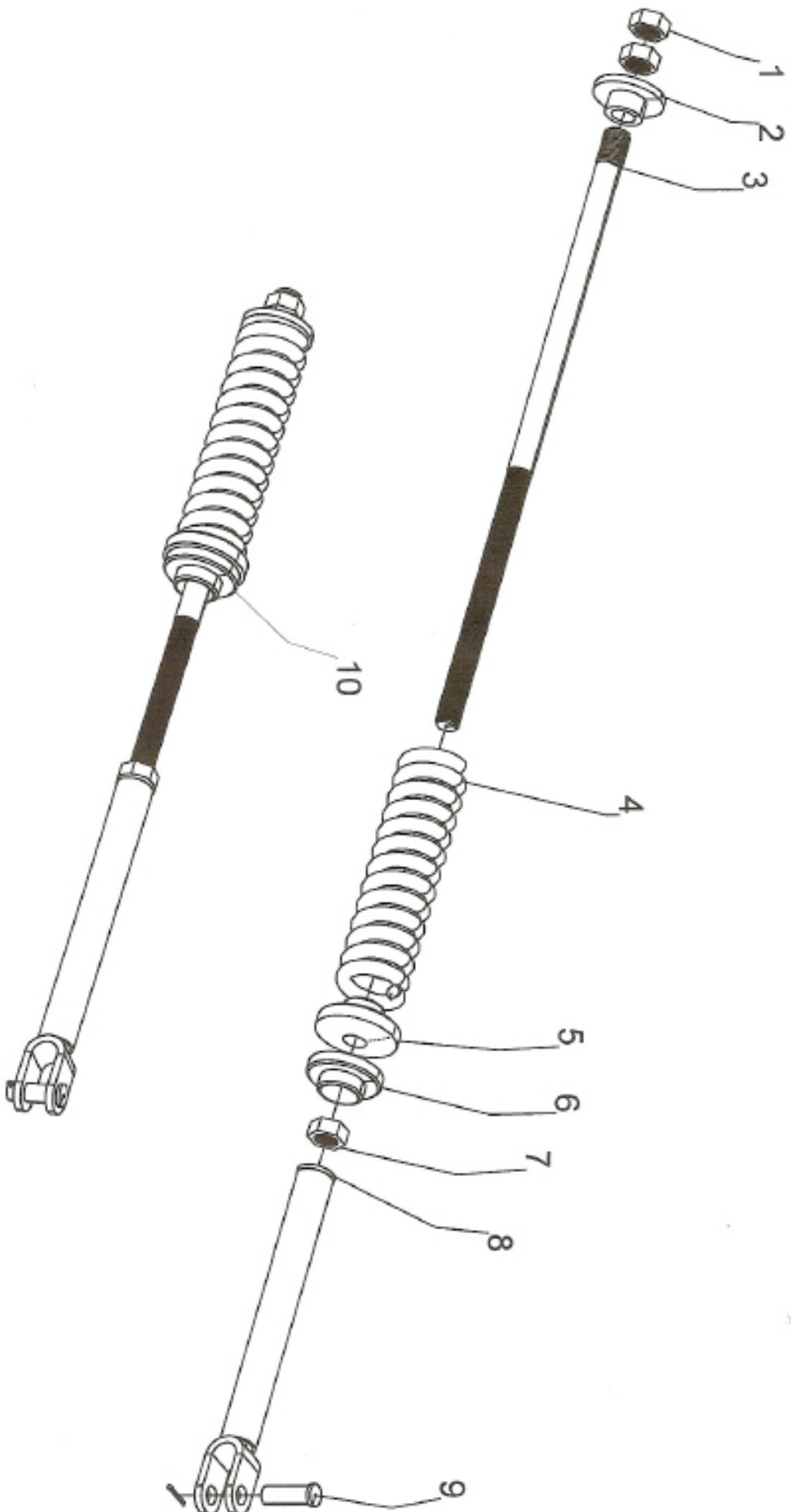


## PCHB-553 Swivel Unit

Revision 06/10

# Chain Tension Adjustor

| Key | Part No.                  | Part Name                                  | Qty    | Description                             | Serial No.   | Model     |
|-----|---------------------------|--|--------|---|--------------|-----------|
| 1   | N 11/4LN                  | Nut 1 1/4" WW                              | 2      | Thin Lock Nuts 11/4" WW                 | 601-         |           |
| 2   | PCHTA-SB                  | Steel spring retaining bush                | 1      |   | 601-         |           |
| 3   | PCHTA-B6                  | Tension Bolt                               | 1      | 1 1/4" Shaft WW - Acme 6 TPI            | 601-         |           |
| 4   | PCHXK9261S<br>PCHK2455350 | 20mm Coil Spring<br>25mm Coil Spring       | 1<br>1 | Rear chains only.                       | 601-<br>701- | all<br>60 |
| 5   | KE-0805-03-2              | Male Spring Locator                        | 1      | Polyurethane bushing                    | 601-         |           |
| 6   | KE-0805-04                | Female Spring Locator                      | 1      | Polyurethane bushing                    | 8010-        | all       |
| 7   | PCHTA-N6                  | 1 1/4" ACME Thread Nut                     | 1      | 6 tpi lock nut                          | 601-         |           |
| 8   | PCHTA-BC                  | Tension Assembly Body with<br>clevis 6 TPI | 1      |   | 601-         |           |
| 9   | KE-03-07-1                | Clevis Pin                                 | 1<br>1 | Pin 25mm x 75mm<br>Cotter Pin M5 x 35mm | 601-         |           |
| 10  | PCHTA                     | Chain Tension Adjustor                     |        | Includes No. 1 2 3 7 8 9                | 601-         |           |



# Chain Tension Adjustor

# Chain

| Key | Part No.              | Part Name            | Qty | Description                                | Serial No. | Model |
|-----|-----------------------|----------------------|-----|--|------------|-------|
| 1   | W36/25                | 36mm Disc Chain      |     | 8mm Curved Steel Plate on 36mm Chain       |            |       |
| 2   | CL1A<br>CL47/35 (USA) | CL1 Cast Steel Links |     | Cast Steel Hook and Eye with Moulded Disc  |            |       |
| 3   | PCHDM50               | 50mm Disc Chain      |     | 50mm Chain with 2 Flat 10mm Discs per Link |            |       |
| 4   | PCH                   | Prickle Chain        |     | 20mm K1045 Steel Spikes on 20mm Chain      |            |       |



1



2



3



4

---

# Chain

## Decals

| Key  | Part No.  | Part Name                              | Qty | Description                                  | Serial No. | Model           |
|------|-----------|--|-----|--|------------|-----------------|
| 1    | PCHS1     | Folding Instruction                    | 1   |  |            |                 |
| 3    | PCHS3     | Danger                                 | 2   |  |            |                 |
| 4    | PCHS4     | Caution - Escaping High Pressure Fluid | 1   |  |            |                 |
| 5    | PCHS5     | Caution - Towing Speeds                | 1   |  |            |                 |
| 6    | PCHS6     | Caution - Power Lines                  | 1   |  |            |                 |
| 8    | PCHS8     | Inflate Tires                          | 6   |  |            |                 |
| 9    | PCHS9     | Check Wheel Nuts                       | 4   |  |            |                 |
| 10   | PCHS10    | Grease Gun                             | 11  |  |            |                 |
| 11   | PCHS11    | Brake Caliper                          | 1   |  |            |                 |
| 12   | PCHS12    | Small Kelly Engineering                | 3   |  |            |                 |
| 14   | PCHS13    | Chain Tension 315mm                    | 4   |  |            | 50 60           |
| 15   | PCHSKDH## | Kelly Diamond Harrow Decal             | 2   |  |            |                 |
| **16 | PCHSPP    | Patent Pending                         | 1   |  |            | 45R             |
| 17   | PCHSYRF   | Yellow Reflector                       | 3   | 130mm x 60mm Yellow Class 1 Reflective Strip |            | 45R             |
| 18   | PCHSRRF   | Red Reflector                          | 4   | 130mm x 60mm Red Class 1 Reflective Strip    |            | 45R             |
| 19   | PCHS14    | Hydraulic Flow                         | 1   |  |            |                 |
| 20   | PCHS15    | Chain Tension 330mm                    | 4   |  |            | 30 40 45<br>45R |
| 21   | PCHSDP    | Data Plate                             | 1   |  |            |                 |
| 22   | PCHSUSP   | USA Patent No.                         | 2   |  |            | 45R             |

|   |  |
|---|--|
| <p><b>FOLDING INSTRUCTION</b></p> <p>LOWER FRONT OF MACHINE BEFORE FOLDING OR UNFOLDING WINGS</p> | <p>DO NOT FOLD MACHINE WHEN CHAINS ARE FOULED WITH MUD</p> |
|---|--|

PCHS1



**DANGER**

NEVER STAND WITHIN RADIUS OF RAISED WINGS

PCHS3



**CAUTION**

ESCAPING HIGH PRESSURE FLUID HAZARD. IF SKIN PENETRATION OCCURS, SEEK MEDICAL ATTENTION IMMEDIATELY.

PCHS4



**CAUTION**

MAXIMUM TOWING SPEED 25 KPH / 15 MPH

PCHS5



**CAUTION**

PROCEED CAUTIOUSLY UNDER OVERHEAD POWER LINES & AROUND POWER POLES

PCHS6



INFLATE TIRES TO 250 kpa / 36 psi

PCHS8



CHECK WHEEL NUTS AFTER FIRST 5 HRS AND AT REGULAR INTERVALS

PCHS9



BRAKE CALIPER, INCREASE SPRING PRESSURE FOR HIGHWAY USE.

PCHS10

PCHS11



**KELLY ENGINEERING**

Residence Centre SA  
Phone: +41 8 883 2255  
www.kellyengineering.com

PCHS12

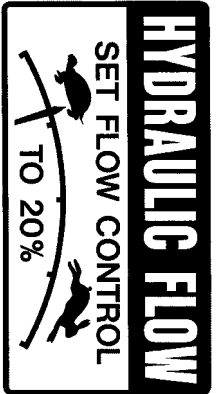
**US Patent 7607489**  
US & Other Patents Pending  
PCHSUSP



**CHAIN TENSION**

Compress Spring to 12.5" / 315mm

PCHS13



**HYDRAULIC FLOW**

SET FLOW CONTROL TO 20%

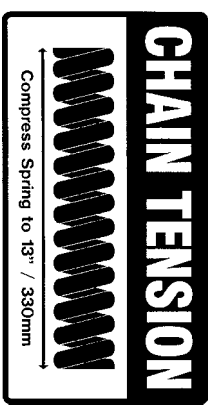
PCHS14



PCHSYRF



PCHSRRF



**CHAIN TENSION**

Compress Spring to 13" / 330mm

PCHS15



PCHSDP

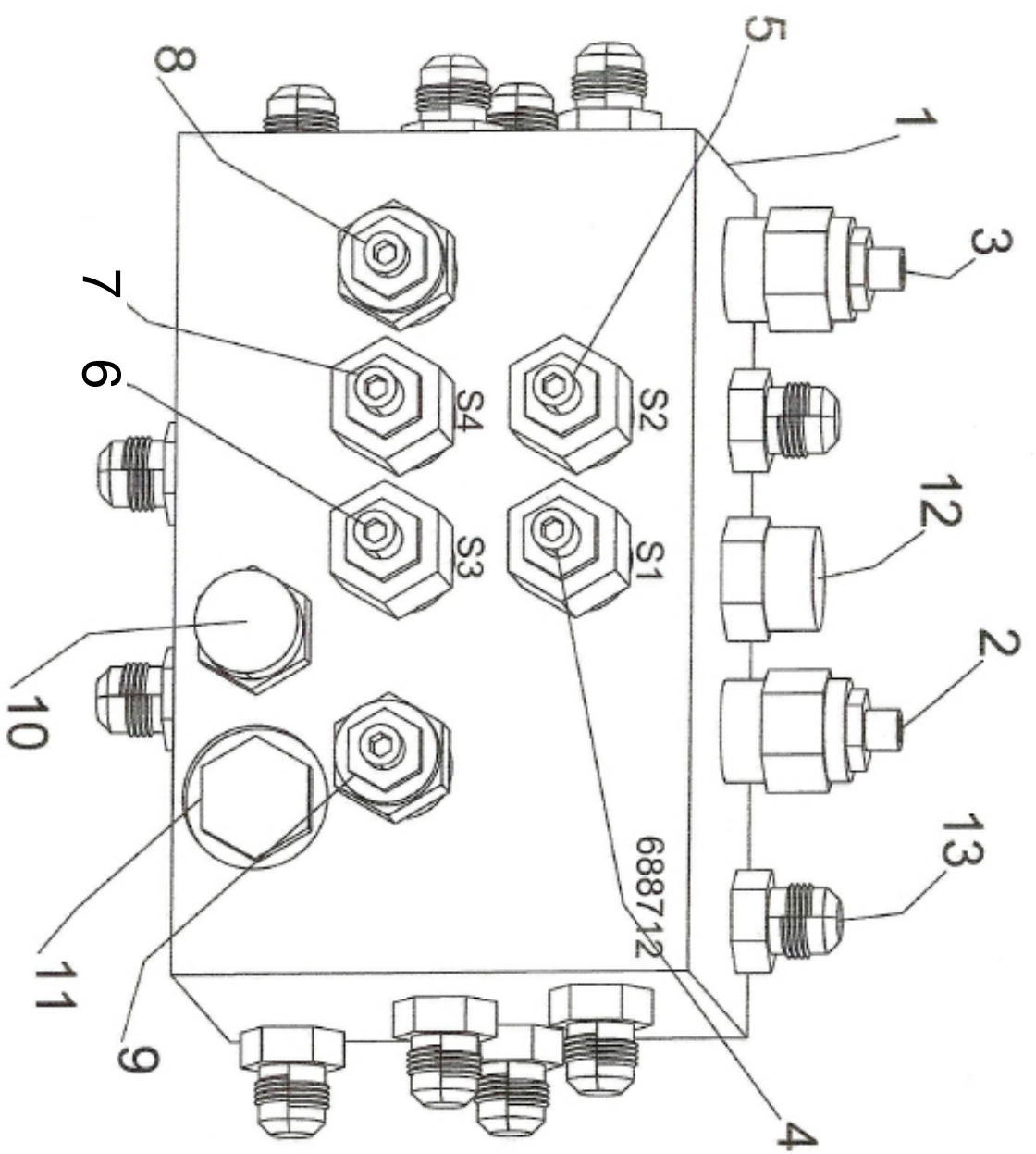
**Kelly Diamond Harrow 45R**  
PCHSKDH##

**Decals**

## Hydraulic Sequence Valve

| Key  | Part No.         | Part Name                               | Qty | Description  | Serial No. | Model |
|------|------------------|---|-----|--|------------|-------|
| 1    | 688712           | Sequence Valve Block                    | 1   | Machined and ported aluminum valve block.                        |            |       |
| 2    | 6114063          | Tail Cylinder Overcentre Valve          | 1   | SUN 3:1  |            |       |
| 3    | 6114063          | Main Wing Overcentre valve              | 1   | SUN 3:1  |            |       |
| 4    | 505095           | 1st Stage Folding Sequence Valve        | 1   | Oilpath kickdown sequence valve                                  |            |       |
| 5    | 505095           | 2nd Stage Folding Sequence Valve        | 1   | Oilpath kickdown sequence valve                                  |            |       |
| 6    | 505095           | 1st Stage Unfolding Sequence Valve      | 1   | Oilpath kickdown sequence valve                                  |            |       |
| 7    | 505095           | 2nd Stage Unfolding Sequence Valve      | 1   | Oilpath kickdown sequence valve                                  |            |       |
| 8    | 6114063          | Right Hand Outer Wing Overcentre Valve  | 1   | SUN 3:1  |            |       |
| 9    | 6114063          | Left Hand Outer Wing Overcentre Valve   | 1   | SUN 3:1  |            |       |
| 10   | FR10-20F-0-N-M23 | Flow Regulator Valve                    | 1   |  |            |       |
| 11   | CV10-20-C-N-2    | Non Return Valve                        | 1   |  |            |       |
| 12   | FR10-20F-0-N-M12 | Flow Regulator Valve                    | 1   |  |            |       |
| 13   | S90-1212         | Adaptor                                 | 12  | 3/4 JIC to 3/4 UNO M-M Nipple                                    |            |       |
| **14 | PCHSV688712      | 3 Stage Sequence Valve (Excludes No.13) | 1   | Manifold with sequencing valves to control folding and unfolding | 701-       |       |

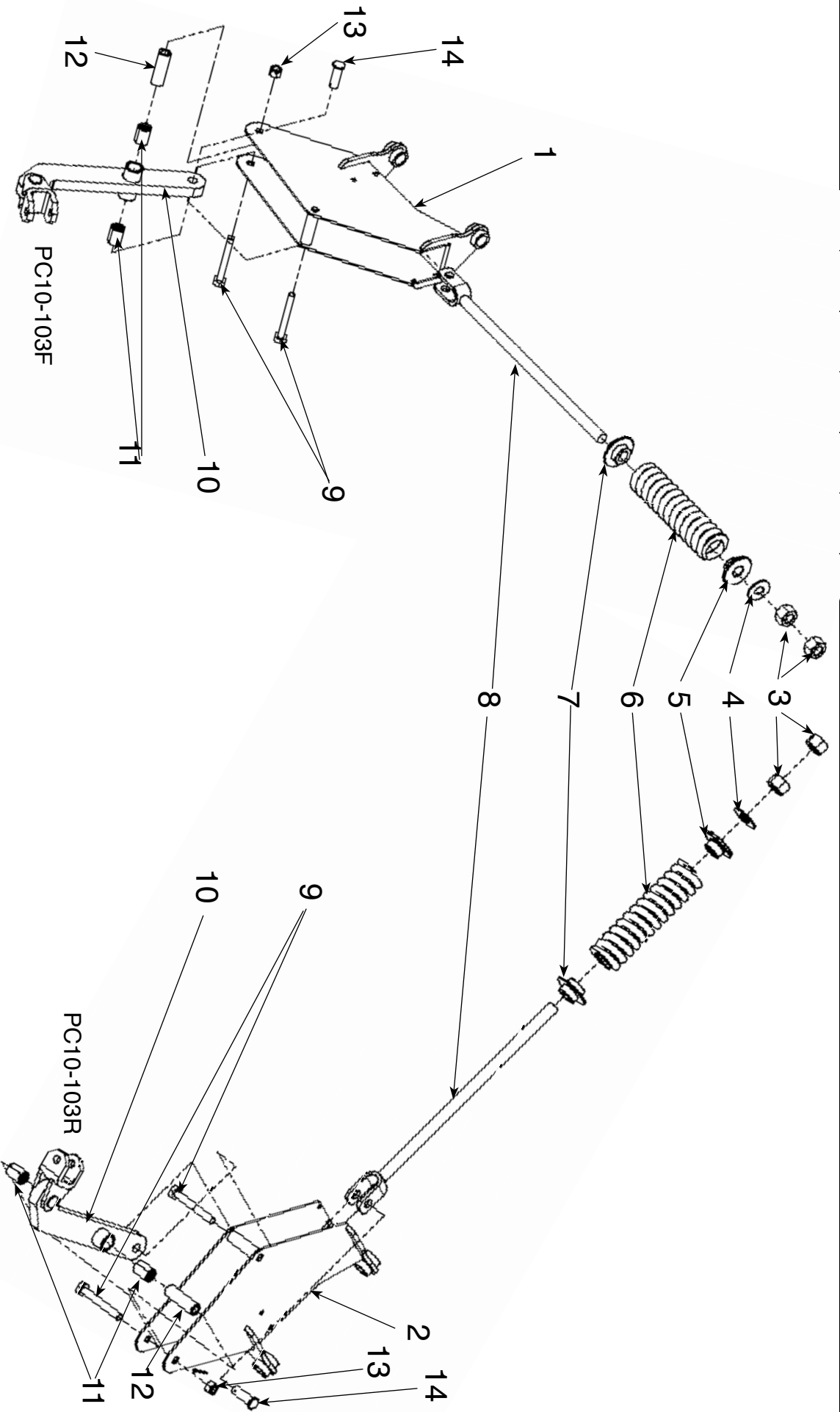




# Hydraulic Sequence Valve

# Module Chain Tensioner

| Key | Part No.      | Part Name                       | Qty | Description                      | Serial No. | Model |
|-----|---------------|---------------------------------|-----|----------------------------------|------------|-------|
| 1   | PC10-103F     | Front Module Tension Pivot      | 1   | Body only                        |            |       |
| 2   | PC10-103R     | Rear Module Tension Pivot       | 1   | Body only                        |            |       |
| 3   | N11/4         | 1 1/4 UNC Plain nut             | 2   | Lock nuts 1 1/4" UNC             |            |       |
| 4   | WAHT11/4      | 1 1/4 Hight tensile flat washer | 1   | Hardened flat washer 1 1/4"      |            |       |
| 5   | PC10-PCHTA-SB | Steel spring retaining bush     | 1   | Steel bush                       |            |       |
| 6   | PCHXK9261S    | Tension Spring                  | 1   | 20mm Coil Spring                 |            |       |
| 7   | PC00-10-S2L   | Rigid Spring Locator            | 1   | Polyurethane bush                |            |       |
| 8   | PC00-10-105   | Module Tension Linkage          | 1   | Theaded 1 1/4" shaft with clevis |            |       |
| 9   | BOM20150      | M20 x 150 Bolt                  | 2   | M20 x 150 8.8 zp bolt            |            |       |
| 10  | PC10-104      | Module Tension Arm              | 1   |                                  |            |       |
| 11  | MB3550DX      | 35ID x 50mm DX Bush             | 2   | 35x39x50mm bush                  |            |       |
| 12  | PC00-10-110   | Bush                            | 1   | 35 x 21 x 110 steel bush         |            |       |
| 13  | NYLM20        | M20 Nyloc nut                   | 1   | M20 Nyloc nut                    |            |       |
| 14  | KE-0307-01    | Clevis Pin                      | 1   | 25m x 75mm pin                   |            |       |
|     | PC10-103FA    | Front Module Tension Assemby    | 1   | Complete assy containing 1 - 14  |            |       |
|     | PC10-103RA    | Rear Module Tension Assembly    | 1   | Complete assy containing 1 - 14  |            |       |



# Module Chain Tensioner