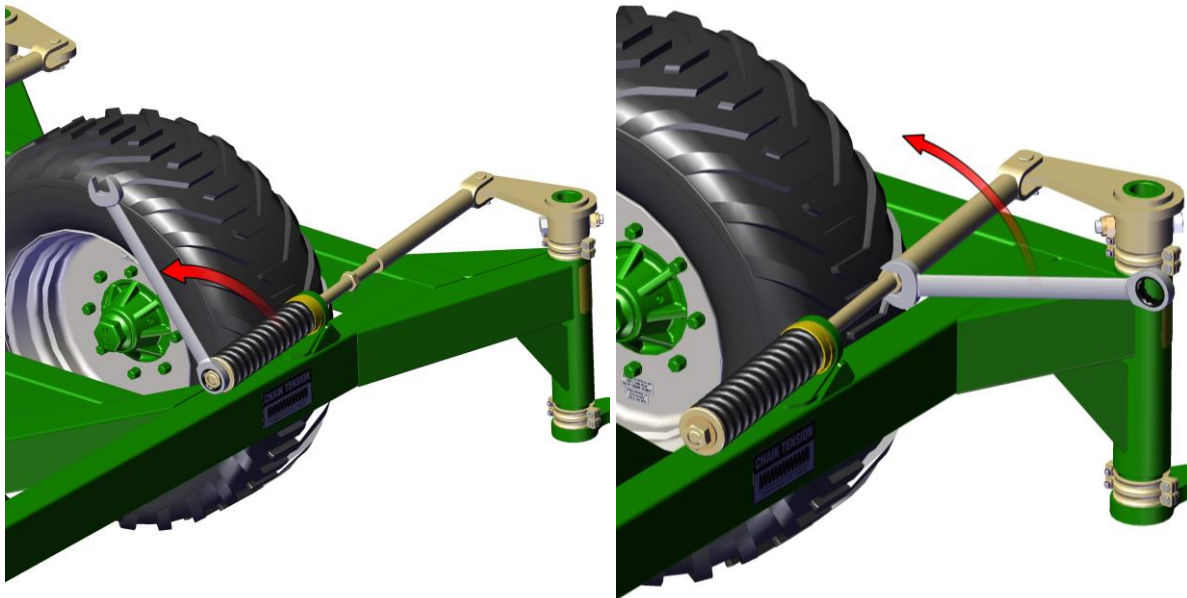


Removing a Welded Chain Link

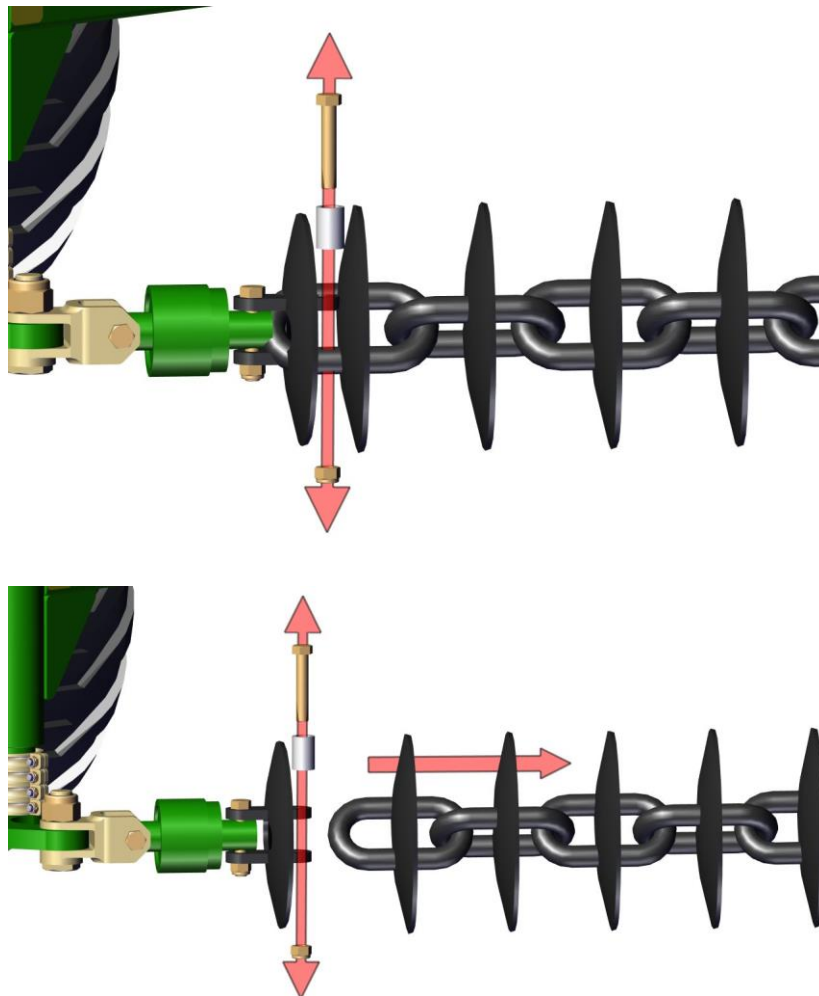
Procedure: This technical Bulletin outlines the required steps to remove a link from the chain and join it together.

Part 1: How to remove a link from the chain

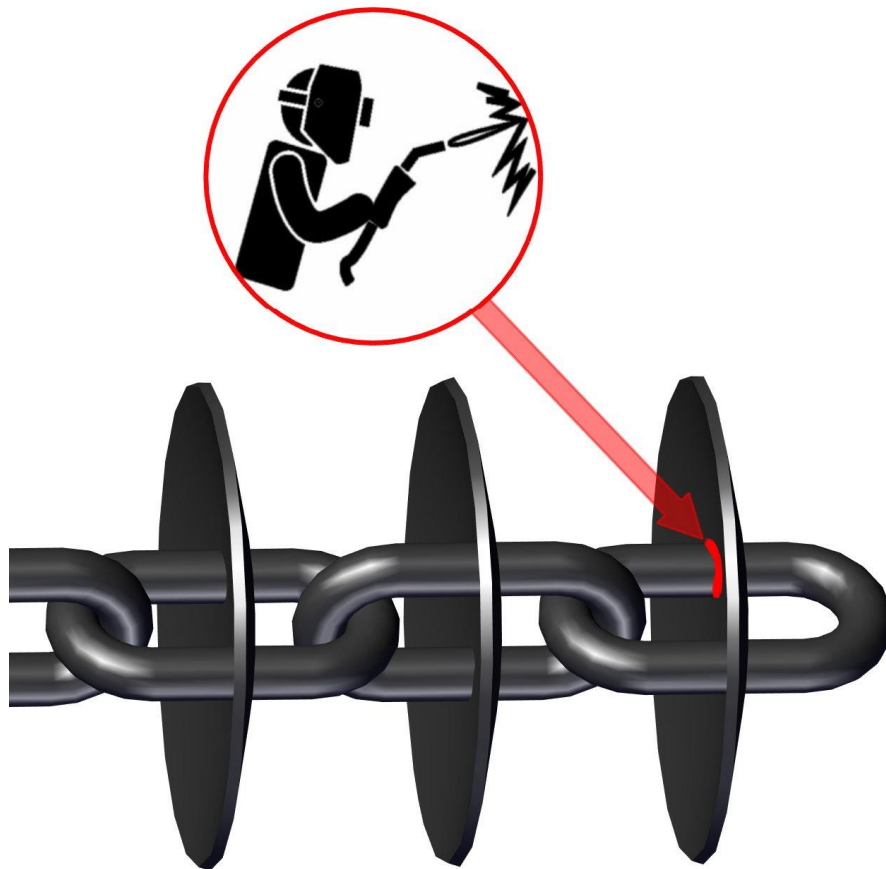
Step 1: Relax the chain tension.



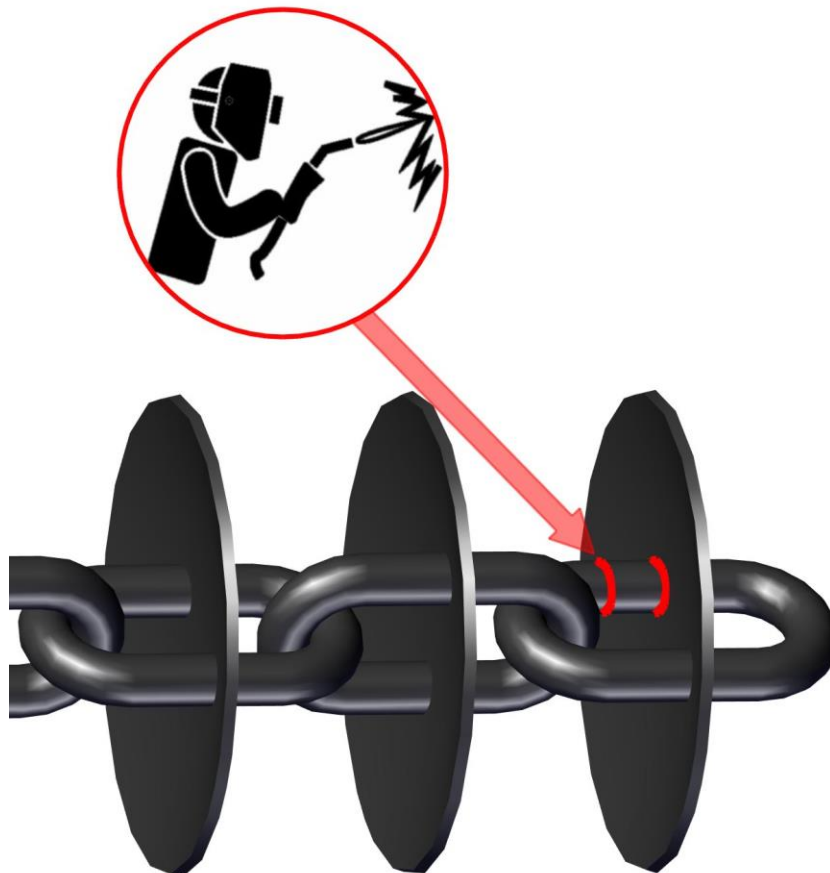
Step 2: Remove the locking bolt and free the chain.



Step 3: Cut through the chain link on the unwanted disc.



Step 4: Make a second cut at least 5cm/2" away.



Removing a Welded Chain Link

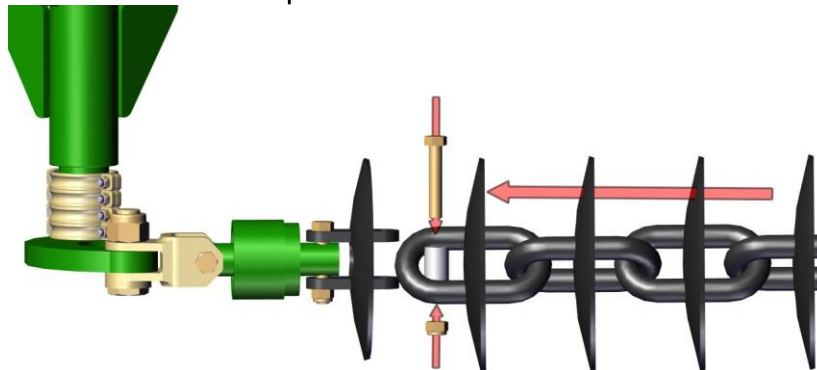
Step 5: Remove and discard the cut disc.

5cm/2"
spacing

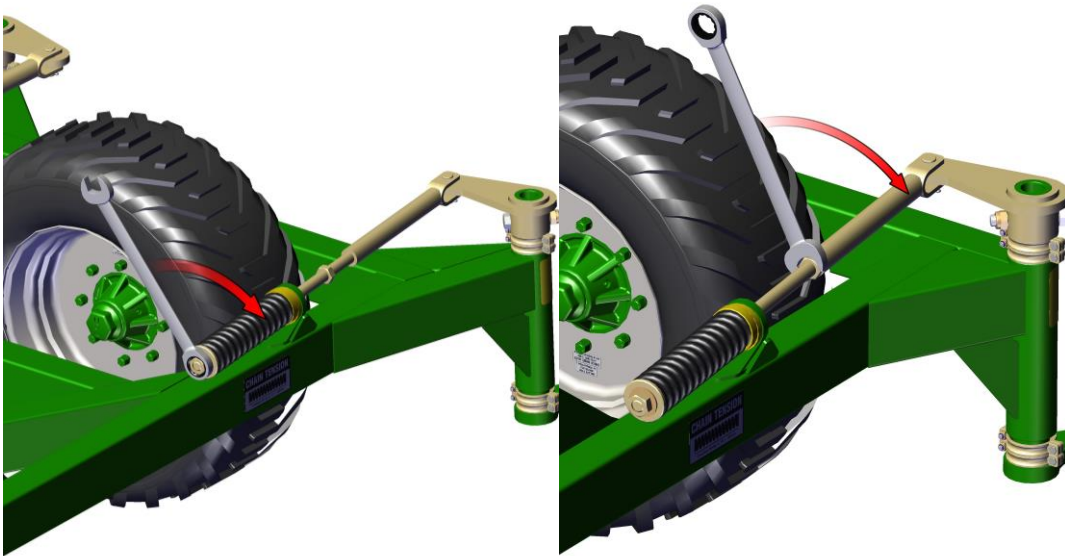


Part 2: How to join chain together

Step 1: Attach the chain to the tie plate disc as normal.



Step 2: Tighten the chain tension as normal.



CAUTION:

Make sure to wear safety glasses and gloves when handling the discs.

Removing a Welded Chain Link

Page **7** of **7**

Scan the following QR code to open the video.



For further assistance contact Kelly Engineering:

+61 8 8667 2253

sales@kellytillage.com

www.kellytillage.com