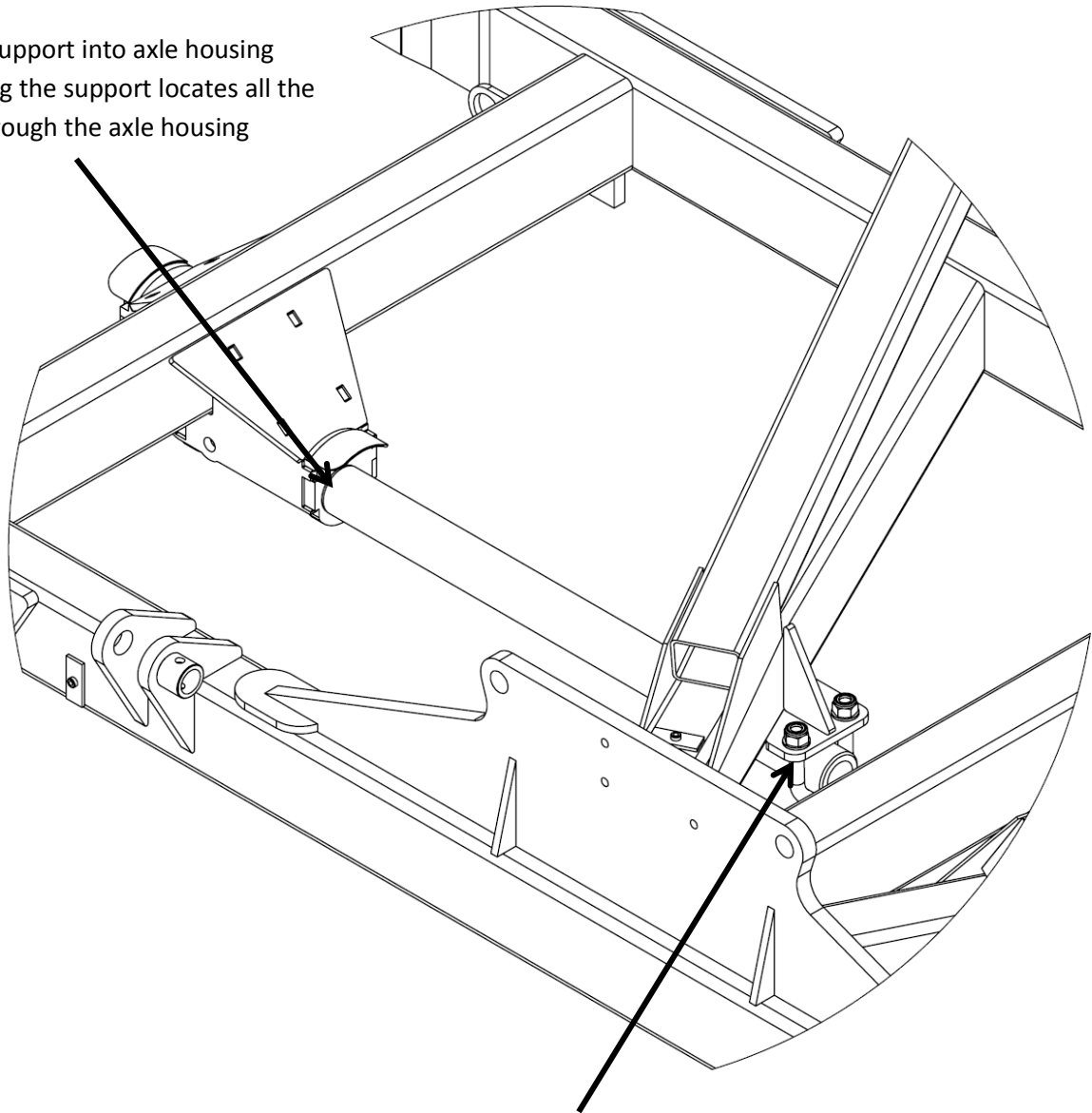


Fitting 45' Single Axle Support Assembly

Insert support into axle housing
ensuring the support locates all the
way through the axle housing



Using u bolt clamp up end of axle
support to provide pre load to axle
beam