

4614

A large green Kelly Tillage System 4614 is shown from a top-down perspective. The machine features a central vertical frame with two long, angled arms extending outwards, each equipped with a series of sharp, pointed tines. The main body of the machine is a long, horizontal frame with multiple sets of wheels. The entire machine is set against a white background with green decorative elements, including a large green number '4614' at the top left and a grey box with the 'Kelly' logo at the top right.

Kelly

Kelly Tillage System 4614 Assembly Manual

Revision M - July 2022

Serial Number:

Kelly Tillage
PO Box 100
Booleroo Centre
South Australia 5482
P +61 8 8667 2253
W kellytillage.com

Thank you for choosing a Kelly Tillage product

We trust that you find the following manual clear and easy to follow. If you should require additional customer support or assistance, please do not hesitate to contact us.

Spare parts can be purchased, as required, through your local dealer or by contacting Kelly Tillage directly.

Kelly welcomes feedback. Should you have any difficulties that you wish to raise, suggestions for improvement or modifications that you feel would enhance our products we look forward to hearing from you.

Australia

Kelly Tillage

PO Box 100

Booleroo Centre SA 5482

Phone: + 61 8 8667 2253

Email: sales@kellytillage.com

Spare Parts: parts@kellytillage.com

Website: www.kellytillage.com

Contents

| | Page no |
|---|------------|
| Section 1: Unpacking | 5 |
| Section 2: Parts and Assembly | 7 |
| Section 3: Decal Application | 135 |
| Section 4: Light Kit | 157 |
| Section 5: Chain Assembly | 169 |
| Section 6: Diagrams & Charts | 180 |
| Section 7: Operation | 184 |



This symbol indicates which bag the relevant fasteners are in



This symbol indicates which bag the relevant hydraulics are in



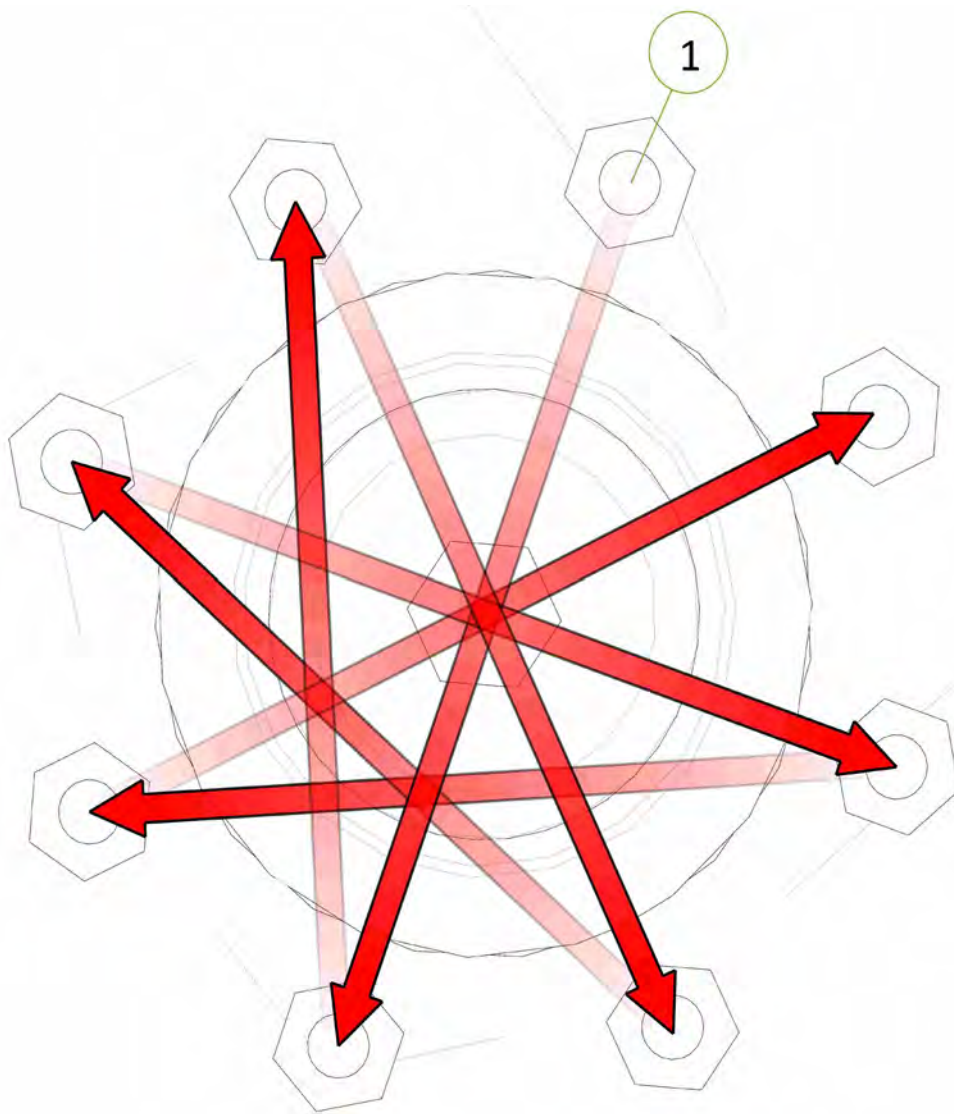
This symbol indicates which way the machine is travelling

Bolt Torque Settings

| Bolt Type | Wheel nut | | | | U Bolt | | | Class 8.8 Bolt | | | | | Class 10.9 Bolt | | Grade 8 Bolt |
|-----------|-----------|-----|------|-------|--------|-----|-----|----------------|-----|-----|-----|-----|-----------------|-----|--------------|
| Bolt Size | M18 | M20 | 1/2" | 9/16" | M10 | M12 | M16 | M10 | M12 | M16 | M20 | M24 | M20 | M24 | 1" UNF |
| Ft lb | 255 | 265 | 90 | 100 | 22 | 36 | 55 | 32 | 48 | 140 | 190 | 270 | 300 | 350 | 849 |
| Nm | 345 | 360 | 125 | 140 | 30 | 50 | 75 | 44 | 65 | 190 | 260 | 370 | 406 | 475 | 1151 |

[1] When fitting a wheel & tire to a hub, tighten the wheel nuts in a star pattern to the correct tension. To achieve this choose a wheel nut & tighten, then proceed to the opposite side of the hub to the next wheel nut & tighten & so on until all wheel nuts are tight. Then repeat the procedure to check that all nuts are tight. Do not use impact tools to tighten wheel nuts. For a guide to the correct tension of the wheel nuts please use the appropriate tension for your size wheel nuts from the Bolt Torque Settings table.

Torque values are for dry threads and surfaces however it is permissible to apply a small amount of anti corrosive oil to the threads.



Section 1

Unpacking



CAUTION

Before cutting straps attach slings or chains and take the weight of the frames to avoid them slipping or falling and causing injury.



CAUTION

Wear eye and hand protection when cutting straps. Sharp edges are exposed as straps separate and may cause injury.



CAUTION

To avoid falling or moving components, before cutting straps attach slings or chains to individual pieces and only cut the straps holding the piece to be lifted.

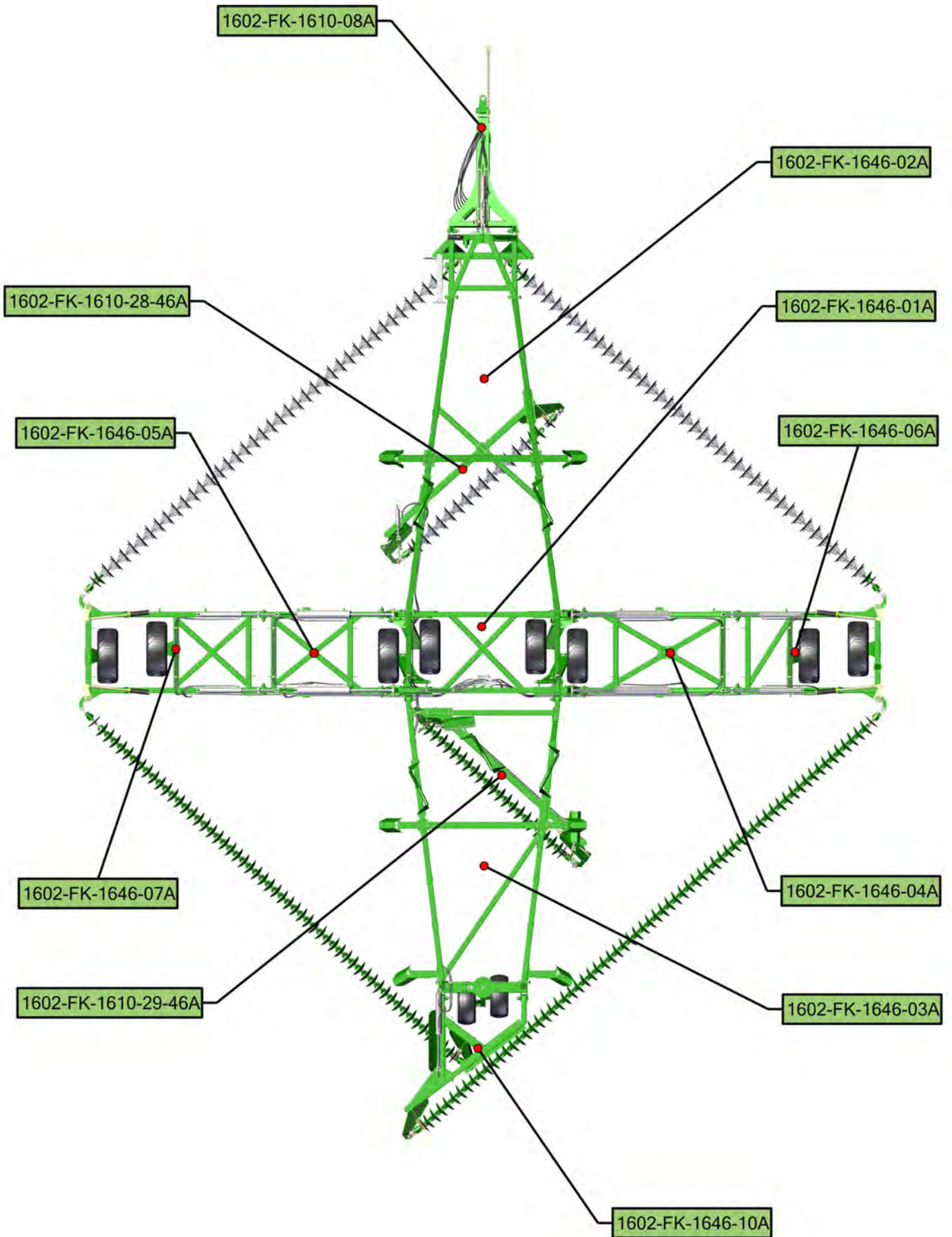
- Remove boxes from rear of container one at a time using a forklift truck. Each box weighs approximately 5512 lbs (2500 kg)
- Cut straps holding bundles and separate parts and place in assembly area
- Identify parts for each machine by serial no. or description and separate. Open parts box and check that all parts are accounted for against checklist
- Once all parts have been identified machines are ready for assembly
- Read assembly instructions before proceeding.

Dealer assembly begins at page 59.



Section 2

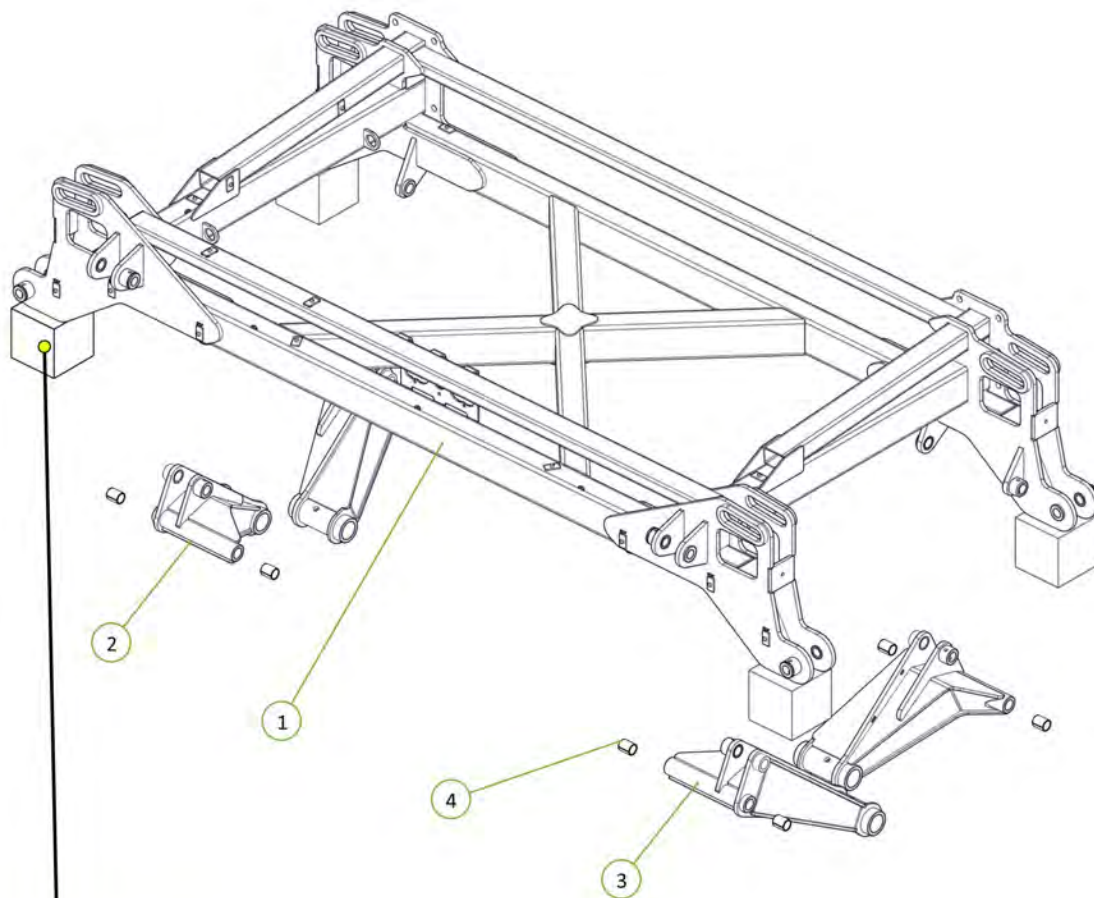
Parts & Assembly



| Item No. | Description | Number | Qty |
|----------|-----------------------|-------------|-----|
| 1 | 46' Centre Frame | 1646-01-2 | 1 |
| 2 | LH Walking Axle Arm | 1610-40 | 2 |
| 3 | RH Walking Axle Arm | 1610-41 | 2 |
| 4 | 1-1/2 ID x 2" DU Bush | 0113-24DU32 | 8 |

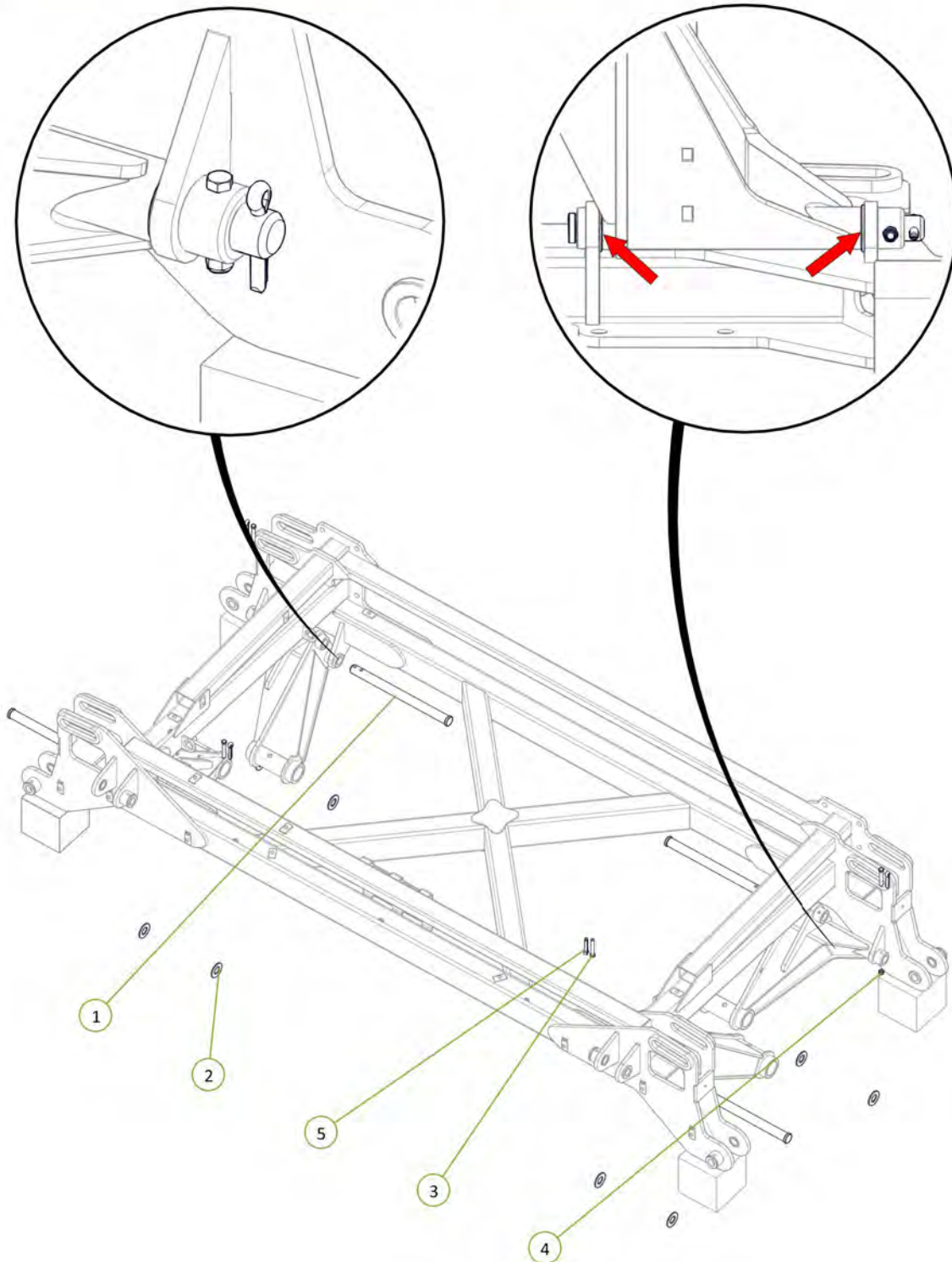


Please note bushes are factory inserted

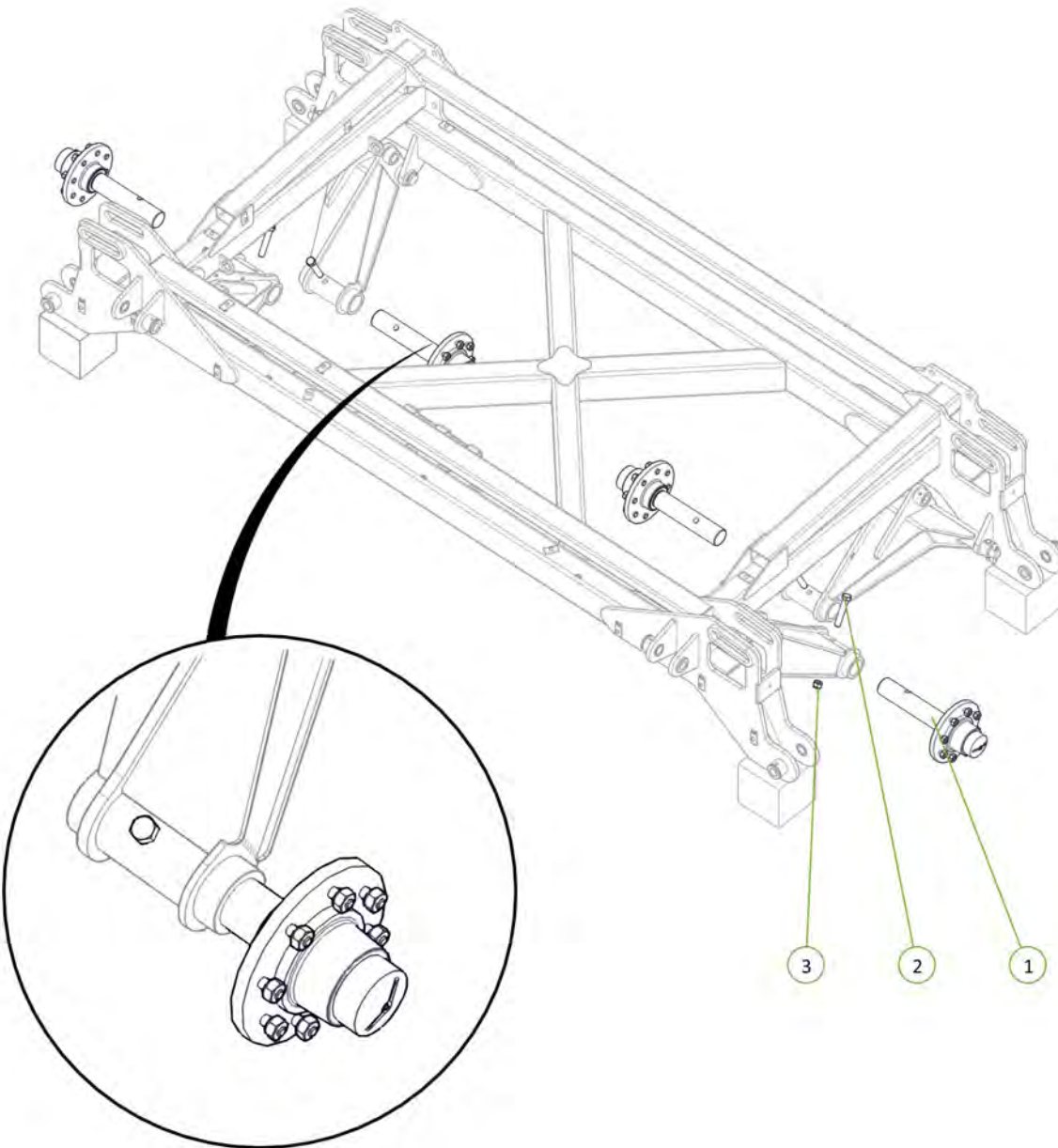


Support frame with blocks or stands during initial assembly

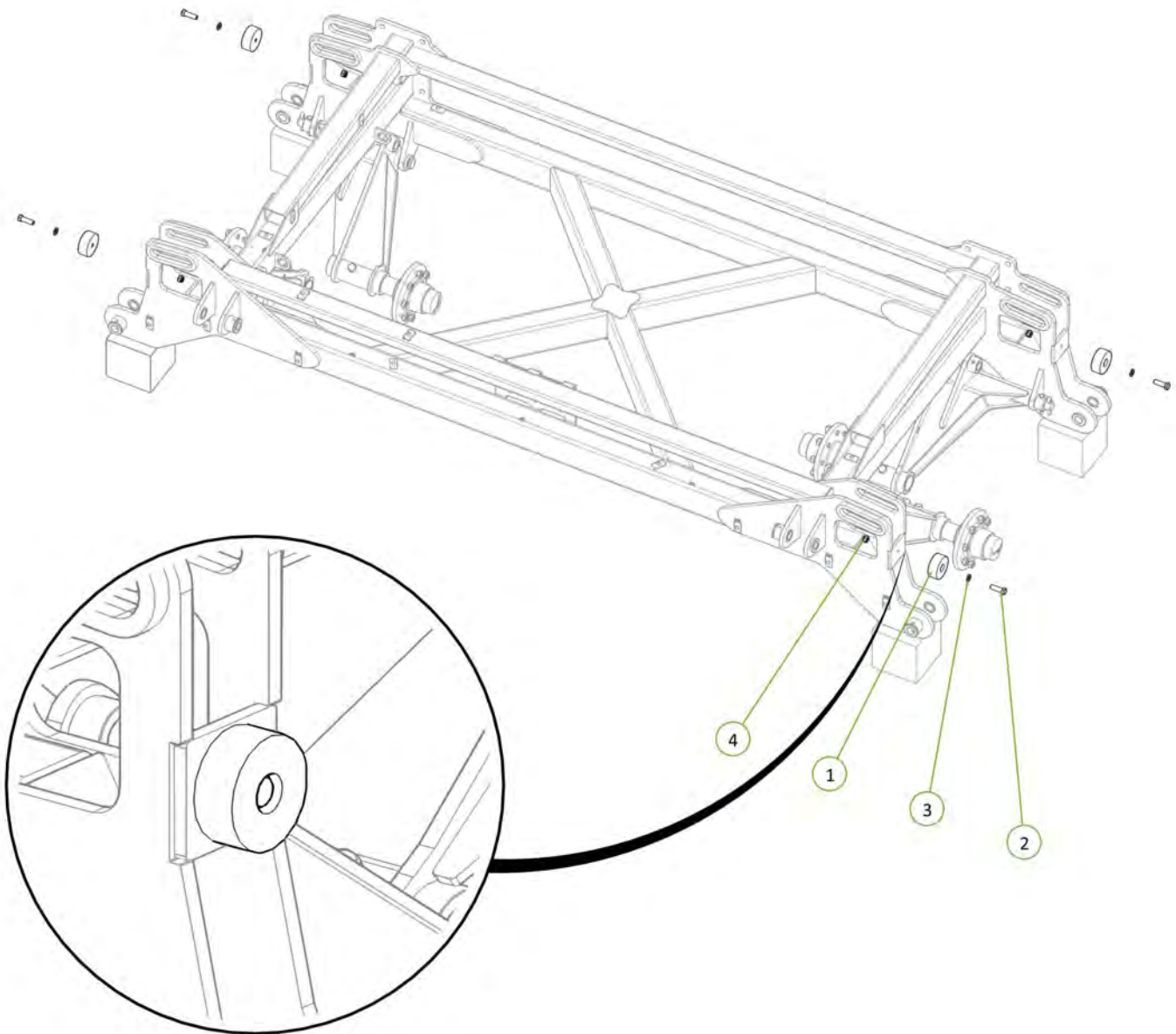
| Item No. | Description | Number | Qty |
|----------|-----------------------------|---------------|-----|
| 1 | Walking Axle Pivot Pin | 1601-P38-525 | 4 |
| 2 | Washer High Tensile 1 3/8" | 0232-HT13-8 | 8 |
| 3 | M12 x 90 Class 10.9 ZP Bolt | 0211-1290HT | 4 |
| 4 | Nyloc Nut M12 | 0221-NYL12 | 4 |
| 5 | Cotter Pin M13 x 63 | 0261-PINC1363 | 4 |



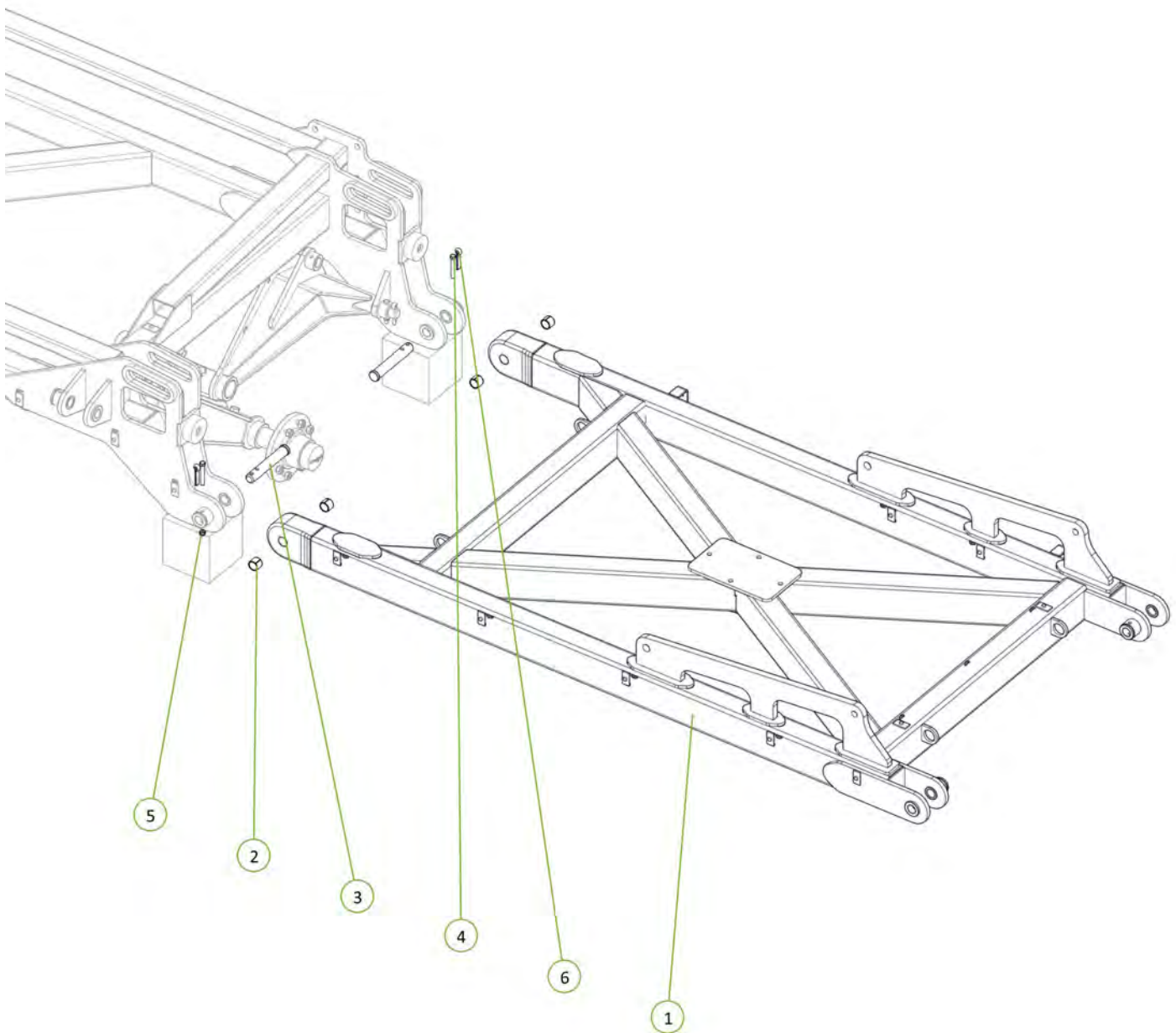
| Item No. | Description | Number | Qty |
|----------|--|-----------------|-----|
| 1 | 2.75"R 6 Tonne 8 on 8" PCD Hub & Stub Complete | 0733-SH27596880 | 4 |
| 2 | M20 x 120 grade 8.8 ZP Bolt | 0211-20120 | 4 |
| 3 | Nyloc Nut M20 | 0221-NYL20 | 4 |



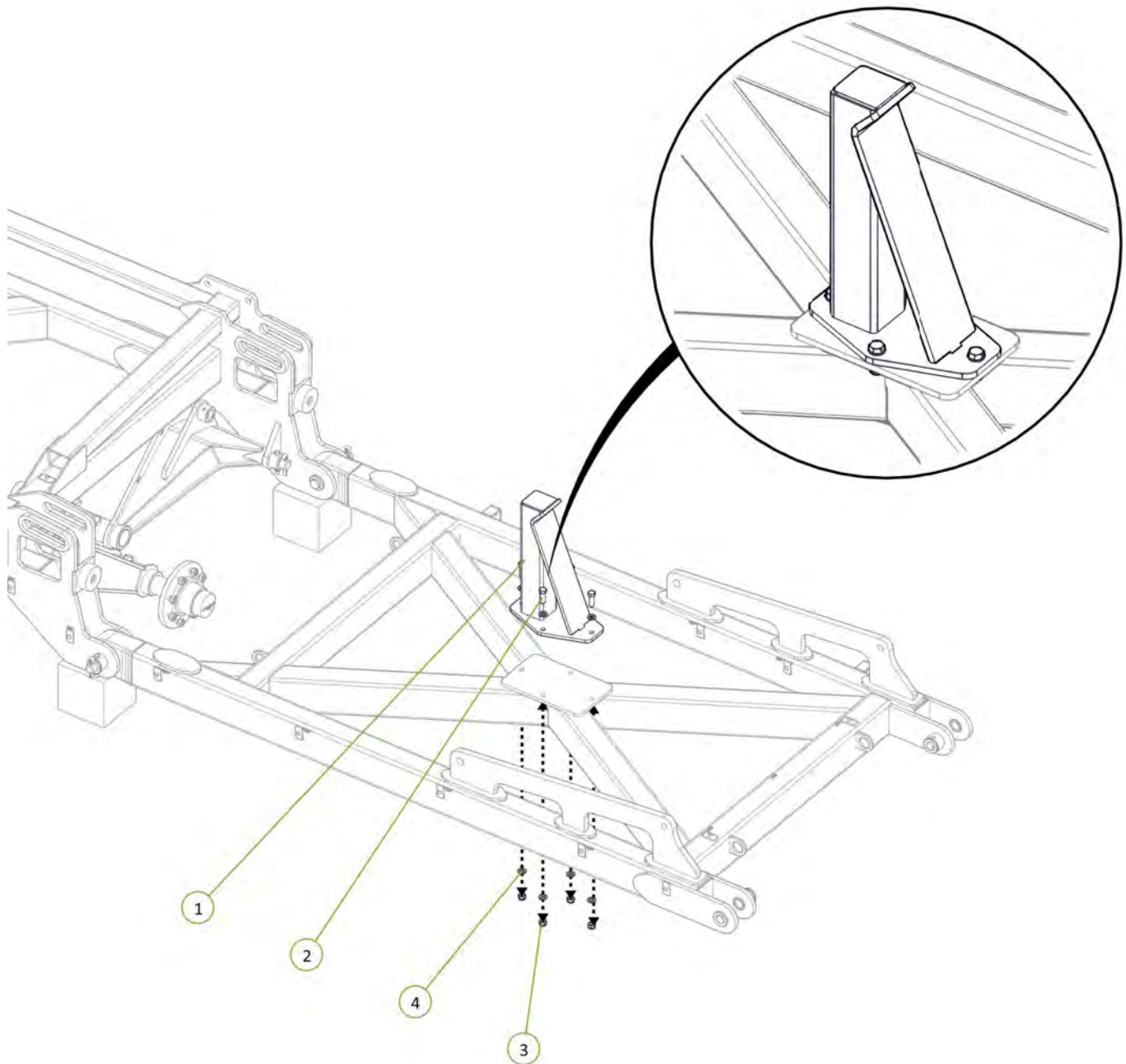
| Item No. | Description | Number | Qty |
|----------|----------------------------|------------|-----|
| 1 | Wing Folding Buffer | 1201-12 | 4 |
| 2 | M16 x 55 grade 8.8 zp Bolt | 0211-1655 | 4 |
| 3 | Washer Flat M16 | 0231-F16 | 4 |
| 4 | Nyloc Nut M16 | 0221-NYL16 | 4 |



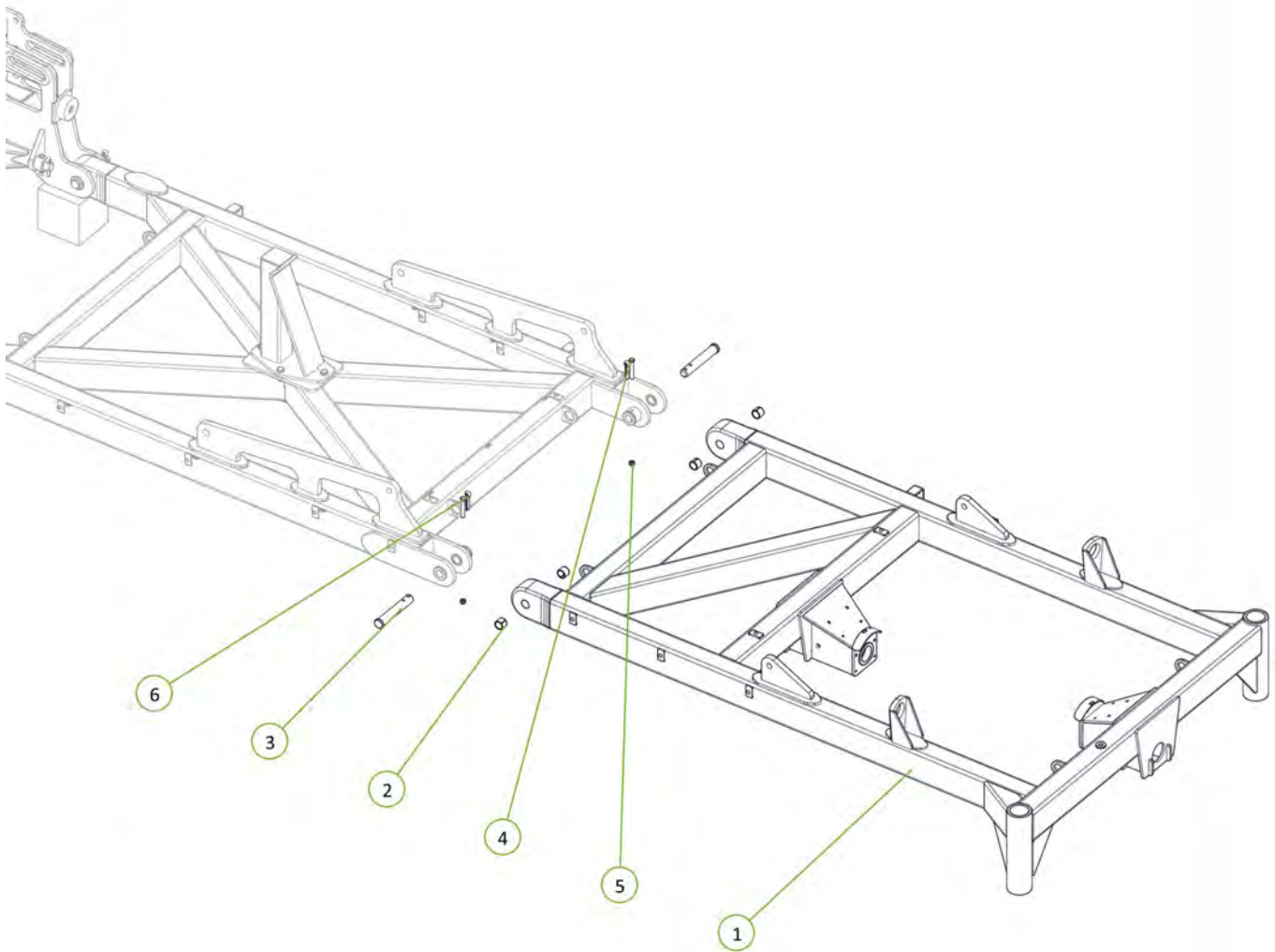
| Item No. | Description | Number | Qty |
|----------|-----------------------------|----------------|-----|
| 1 | 46' RH Inner Wing Frame | 1646-04-2 | 1 |
| 2 | 35 ID x 30mm DU Bush | 0113-MB3530DU | 4 |
| 3 | PCH Wing Pivot Pin | 0801-10-08-235 | 2 |
| 4 | M12 x 90 Class 10.9 ZP Bolt | 0211-1290HT | 2 |
| 5 | Nyloc Nut M12 | 0221-NYL12 | 2 |
| 6 | Cotter Pin M13 x 63 | 0261-PINC1363 | 2 |



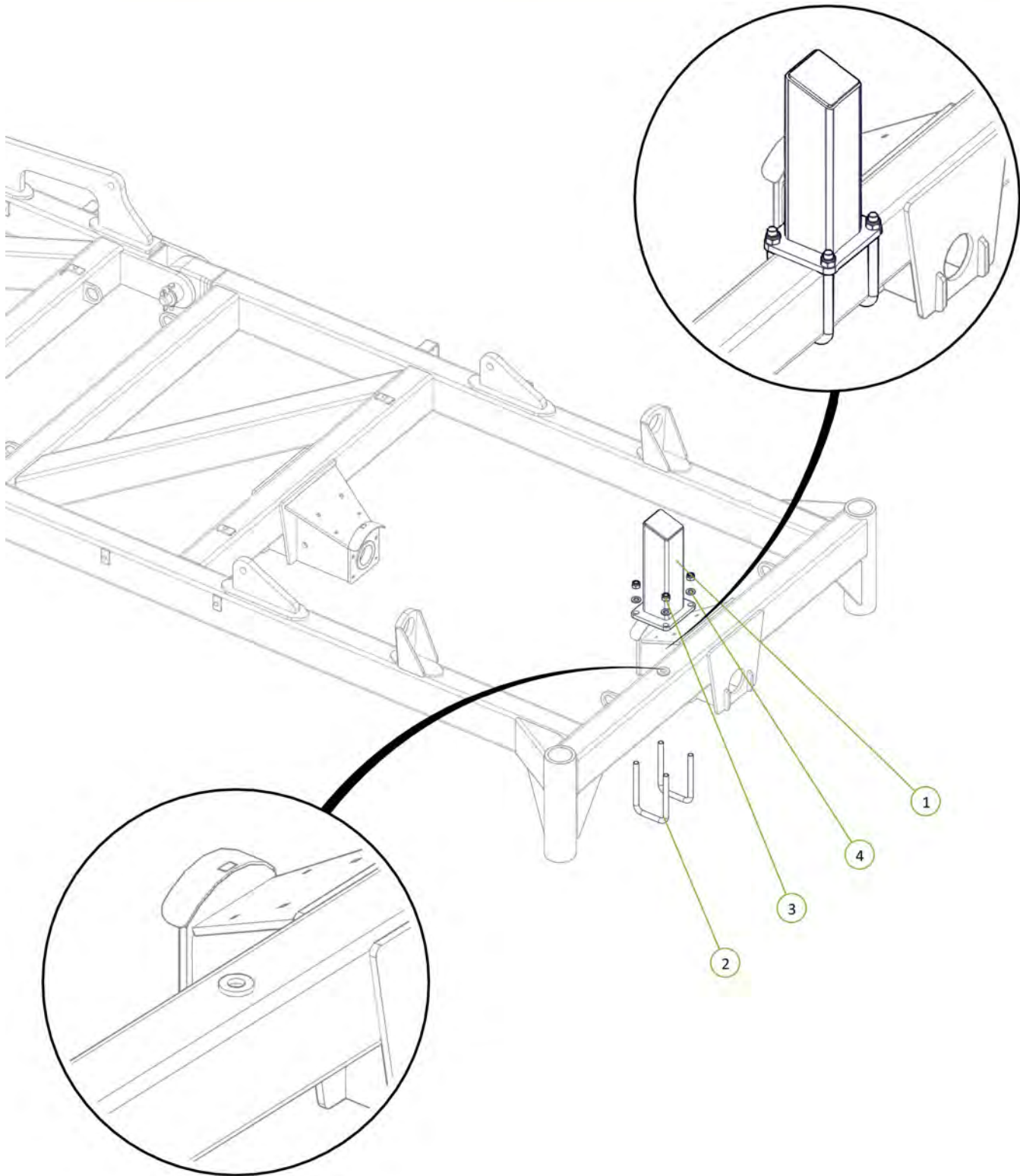
| Item No. | Description | Number | Qty |
|----------|----------------------------|------------|-----|
| 1 | 46' Inner Wing Post | 1646-04P-2 | 1 |
| 2 | M16 x 50 grade 8.8 zp Bolt | 0211-1650 | 4 |
| 3 | Nyloc Nut M16 | 0221-NYL16 | 4 |
| 4 | Washer Flat M16 | 0231-F16 | 8 |



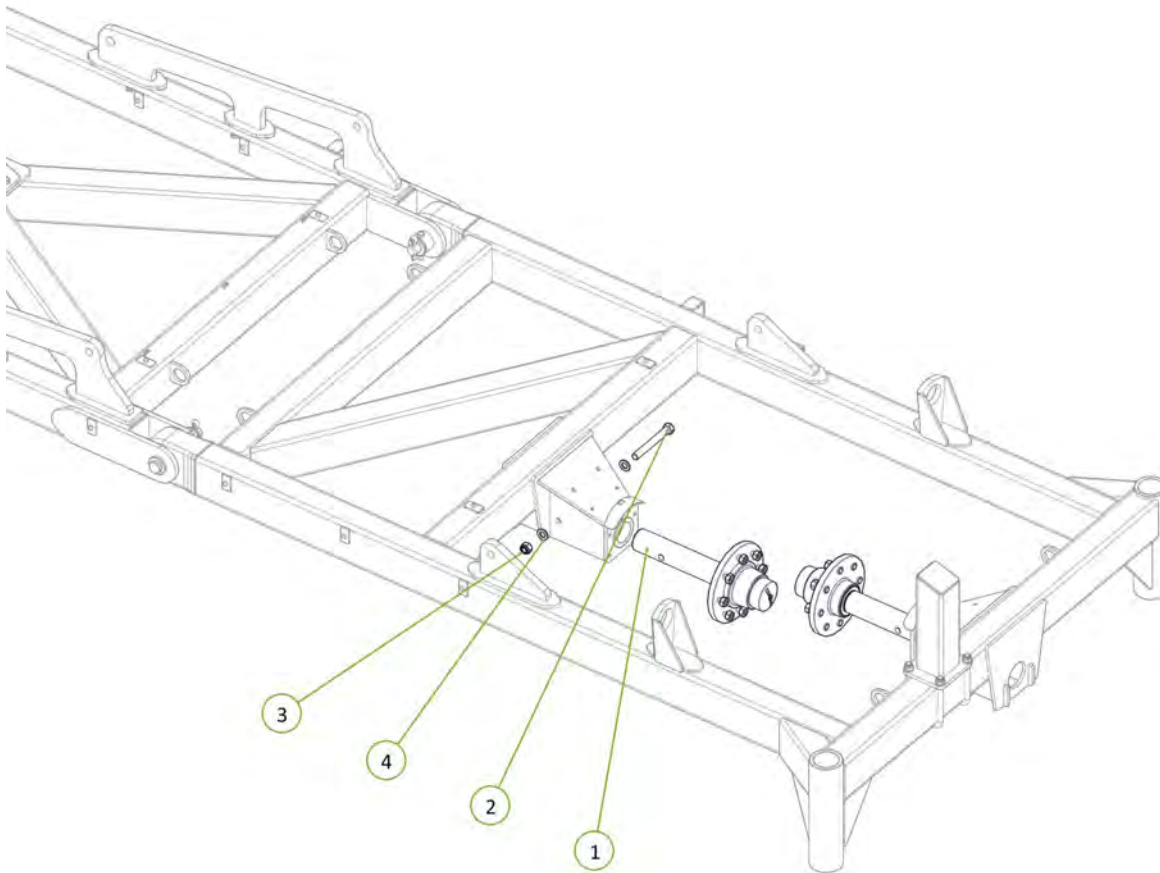
| Item No. | Description | Number | Qty |
|----------|-----------------------------|----------------|-----|
| 1 | 46' RH Outer Wing Frame | 1646-06-2 | 1 |
| 2 | 35 ID x 30mm DU Bush | 0113-MB3530DU | 4 |
| 3 | PCH Wing Pivot Pin | 0801-10-08-235 | 2 |
| 4 | M12 x 90 Class 10.9 ZP Bolt | 0211-1290HT | 2 |
| 5 | Nyloc Nut M12 | 0221-NYL12 | 2 |
| 6 | Cotter Pin M13 x 63 | 0261-PINC1363 | 2 |



| Item No. | Description | Number | Qty |
|----------|----------------------------------|----------------|-----|
| 1 | 46' Outer Wing Post | 1646-06P-2 | 1 |
| 2 | U-Bolt M16 x 190 Deep x 106 Wide | 0271-16190106U | 2 |
| 3 | Nyloc Nut M16 | 0221-NYL16 | 4 |
| 4 | Washer Flat M16 | 0231-F16 | 4 |

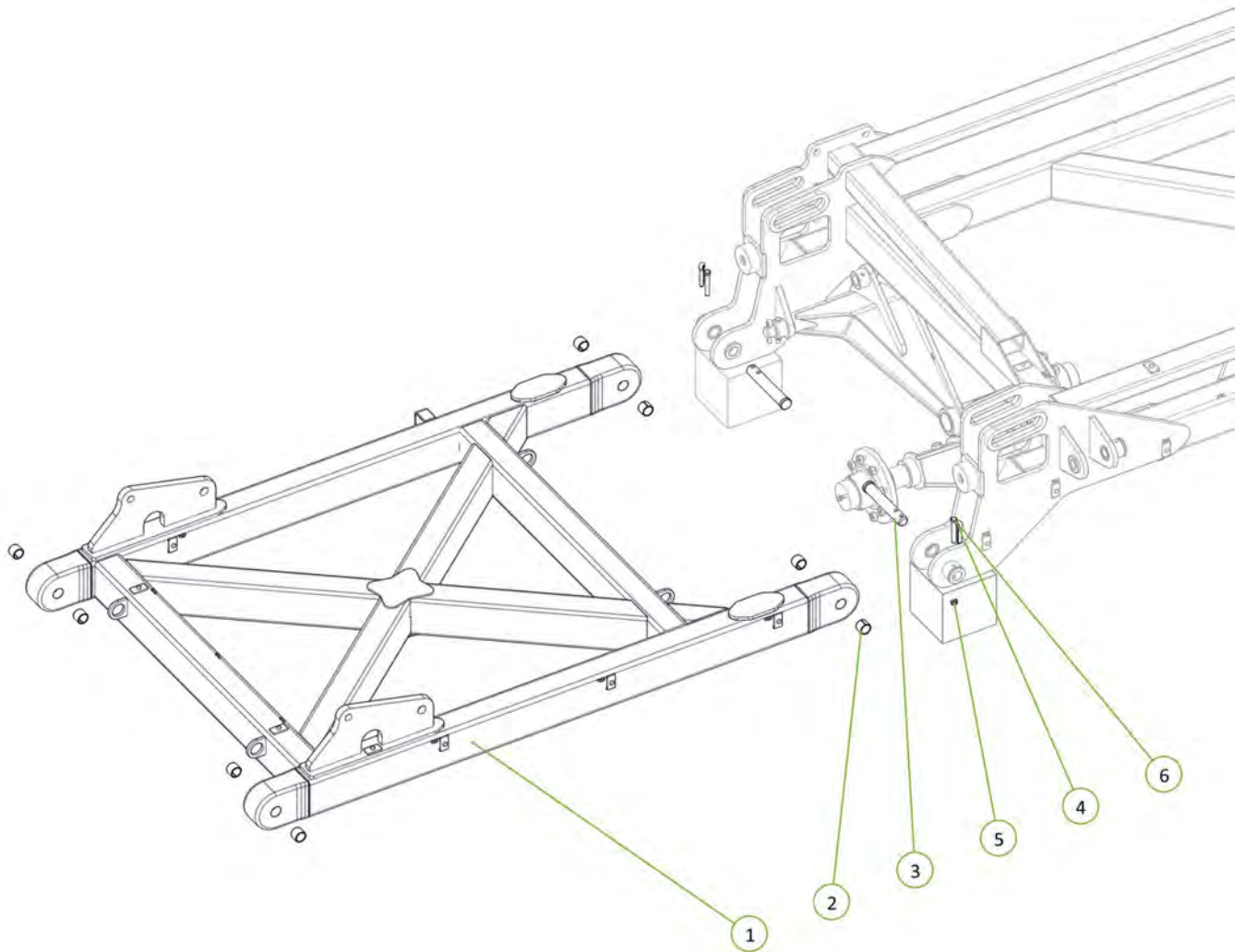


| Item No. | Description | Number | Qty |
|----------|--|-----------------|-----|
| 1 | 2.75"R 6 Tonne 8 on 8" PCD Hub & Stub Complete | 0733-SH27596880 | 2 |
| 2 | M20 x 170 grade 8.8 ZP Bolt | 0211-20170 | 2 |
| 3 | Nyloc Nut M20 | 0221-NYL20 | 2 |
| 4 | Washer Flat M20 | 0231-F20 | 4 |

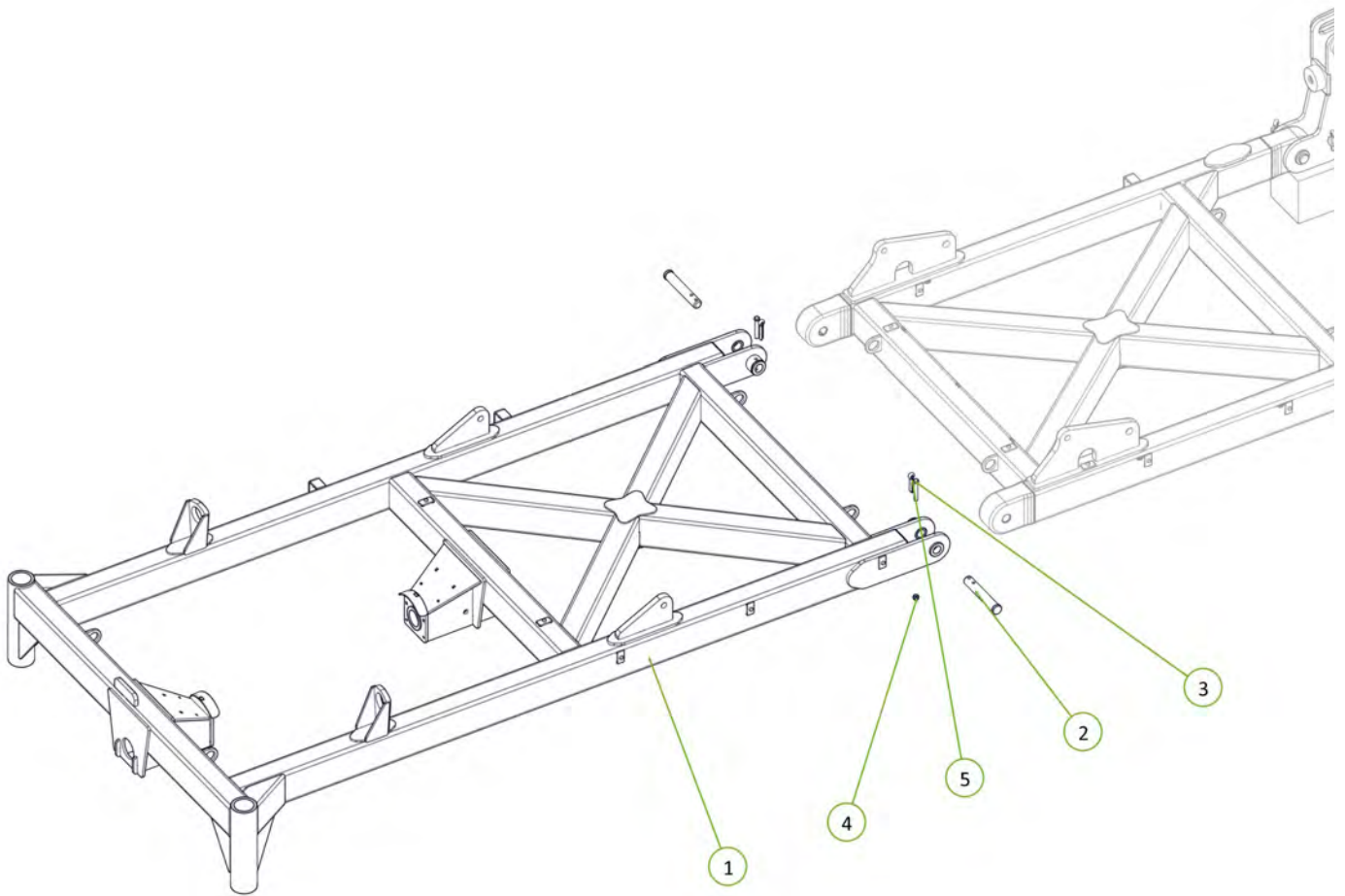


Dual outer wing wheel option shown

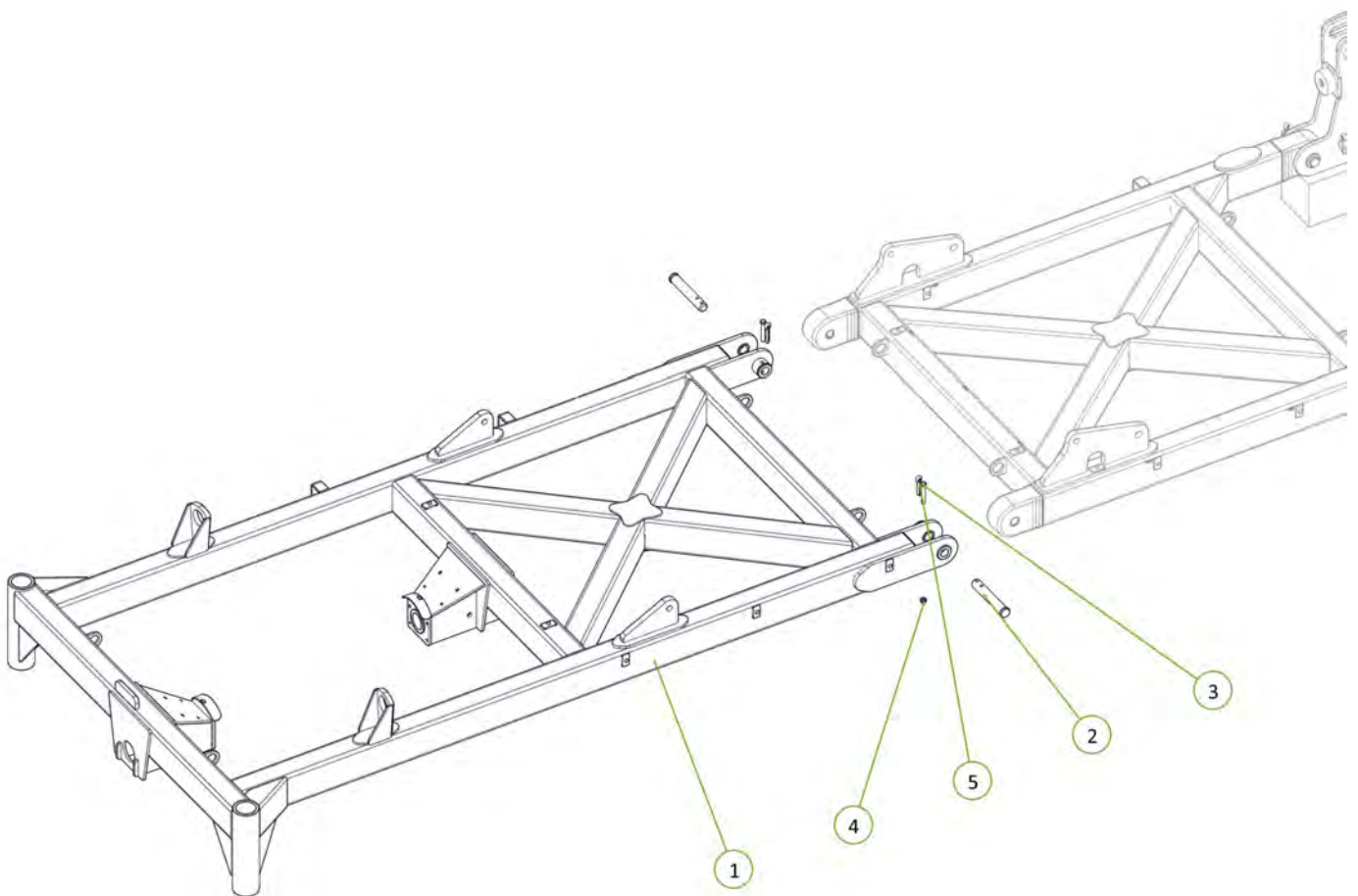
| Item No. | Description | Number | Qty |
|----------|-----------------------------|----------------|-----|
| 1 | 46' LH Inner Wing Frame | 1646-05-2 | 1 |
| 2 | 35 ID x 30mm DU Bush | 0113-MB3530DU | 8 |
| 3 | PCH Wing Pivot Pin | 0801-10-08-235 | 2 |
| 4 | M12 x 90 Class 10.9 ZP Bolt | 0211-1290HT | 2 |
| 5 | Nyloc Nut M12 | 0221-NYL12 | 2 |
| 6 | Cotter Pin M13 x 63 | 0261-PINC1363 | 2 |



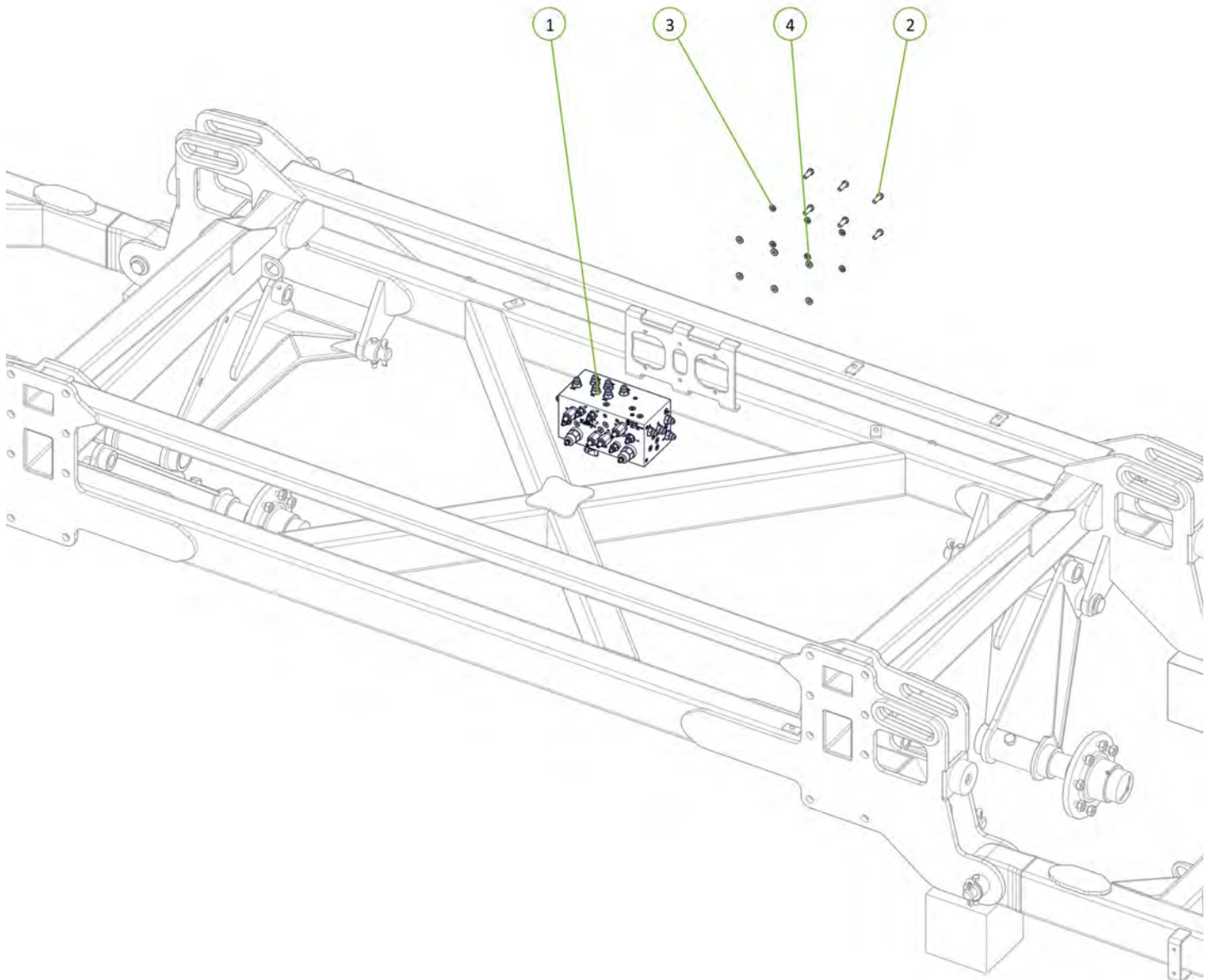
| Item No. | Description | Number | Qty |
|----------|-----------------------------|----------------|-----|
| 1 | 46' LH Outer Wing Frame | 1646-07-2 | 1 |
| 2 | PCH Wing Pivot Pin | 0801-10-08-235 | 2 |
| 3 | M12 x 90 Class 10.9 ZP Bolt | 0211-1290HT | 2 |
| 4 | Nyloc Nut M12 | 0221-NYL12 | 2 |
| 5 | Cotter Pin M13 x 63 | 0261-PINC1363 | 2 |



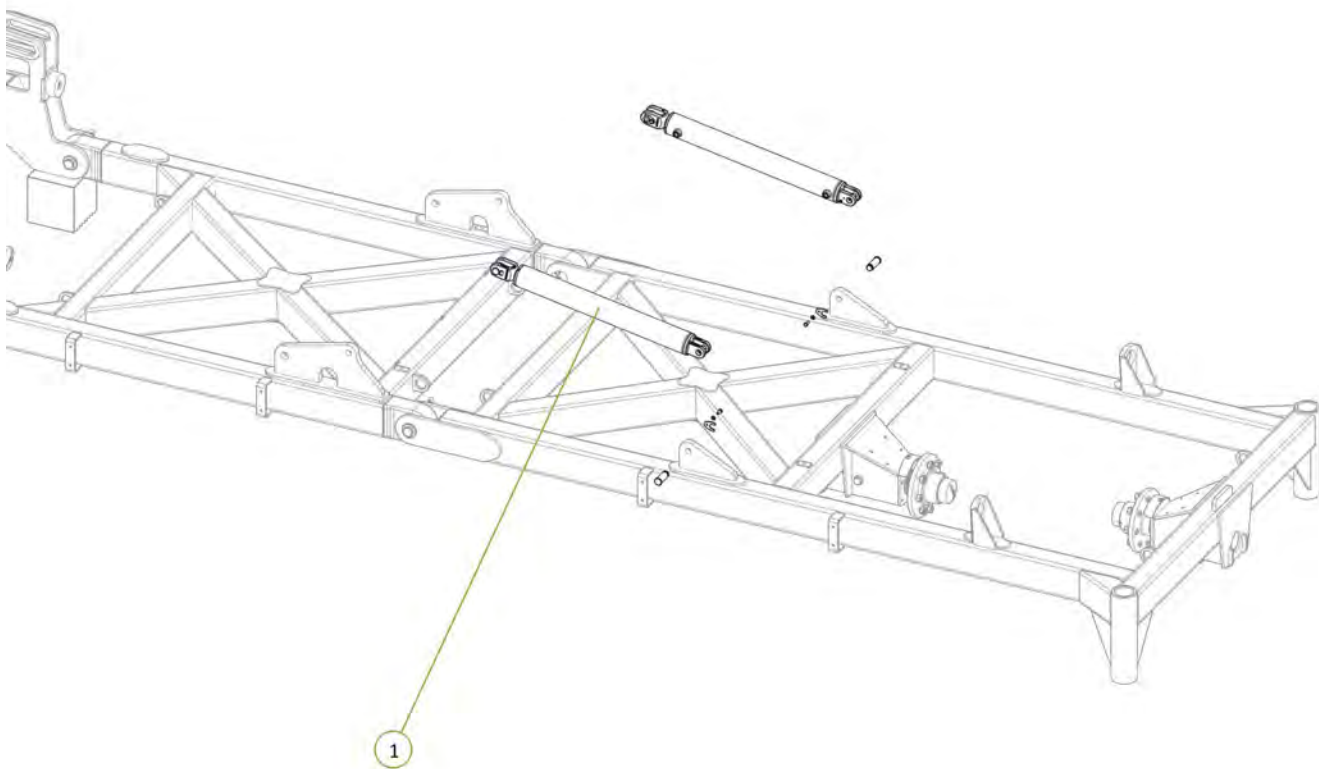
| Item No. | Description | Number | Qty |
|----------|-----------------------------|----------------|-----|
| 1 | 46' LH Outer Wing Frame | 1646-07-2 | 1 |
| 2 | PCH Wing Pivot Pin | 0801-10-08-235 | 2 |
| 3 | M12 x 90 Class 10.9 ZP Bolt | 0211-1290HT | 2 |
| 4 | Nyloc Nut M12 | 0221-NYL12 | 2 |
| 5 | Cotter Pin M13 x 63 | 0261-PINC1363 | 2 |

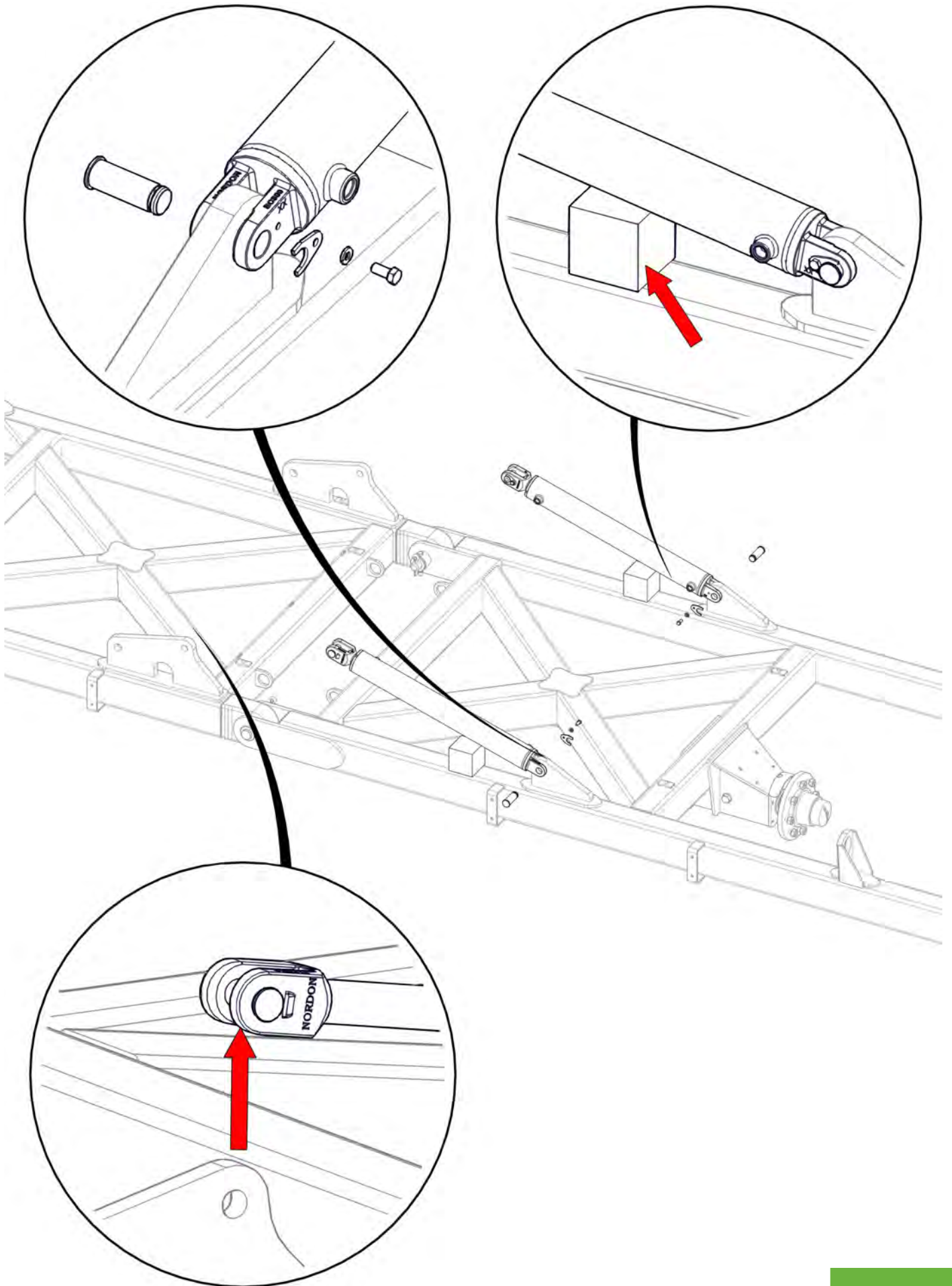


| Item No. | Description | Number | Qty |
|----------|--|-------------|-----|
| 1 | Dual Circuit 3 Stage Sequence Manifold V12.5 | 0802-692196 | 1 |
| 2 | M10 x 30 grade 8.8 ZP Bolt | 0211-1030 | 6 |
| 3 | Washer Spring M10 | 0231-S10 | 6 |
| 4 | Washer Flat M10 | 0231-F10 | 6 |

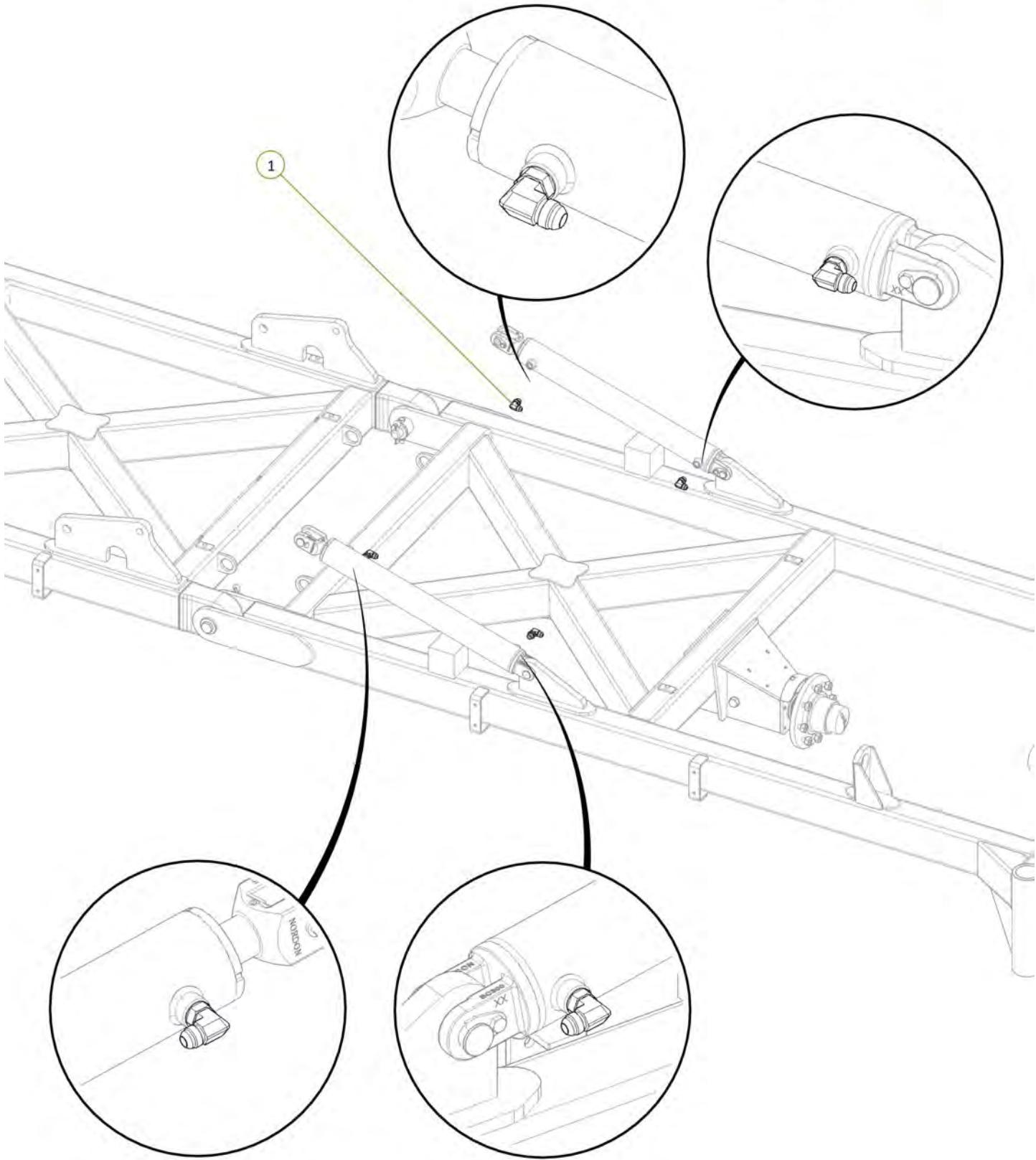


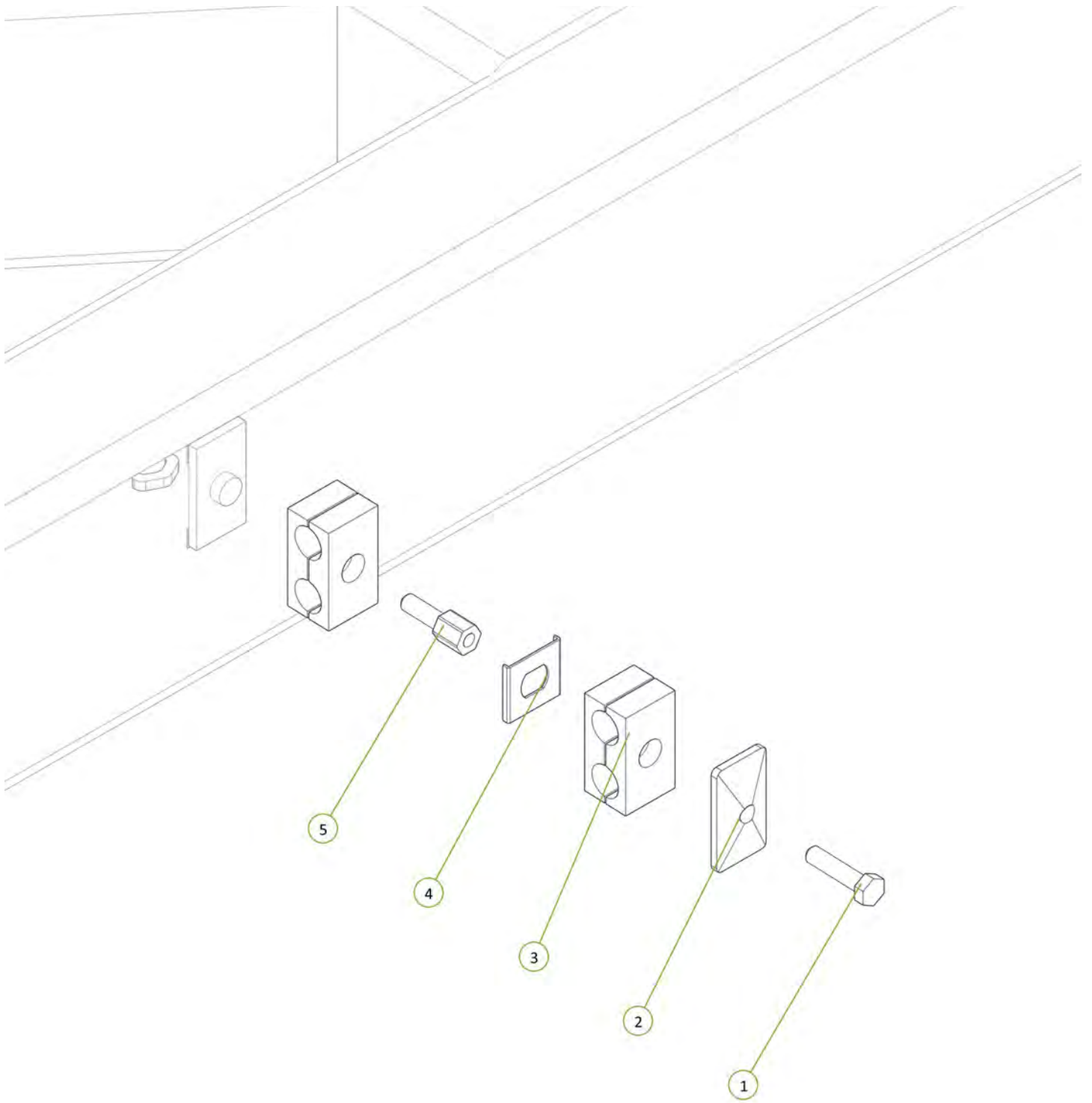
| Item No. | Description | Number | Qty |
|----------|--|--------------|-----|
| 1 | 3" Bore x 24" Stroke 1.5" Rod Hydraulic Cylinder Side Port | 0311-324STSP | 2 |





| Item No. | Description | Number | Qty |
|----------|---|---------------|-----|
| 1 | 3/4" JIC Male 3/4" UN O Ring Male 90° Elbow | 0323-S91-1212 | 4 |

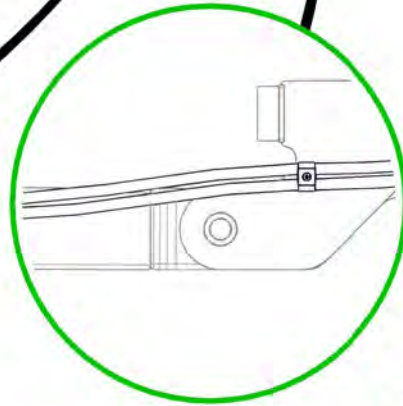
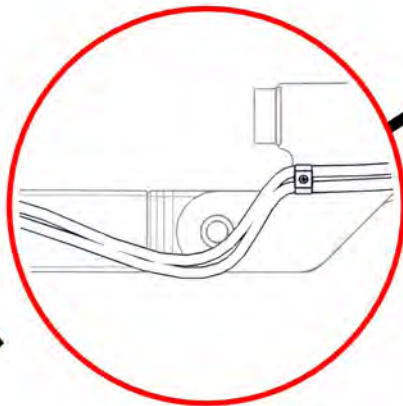
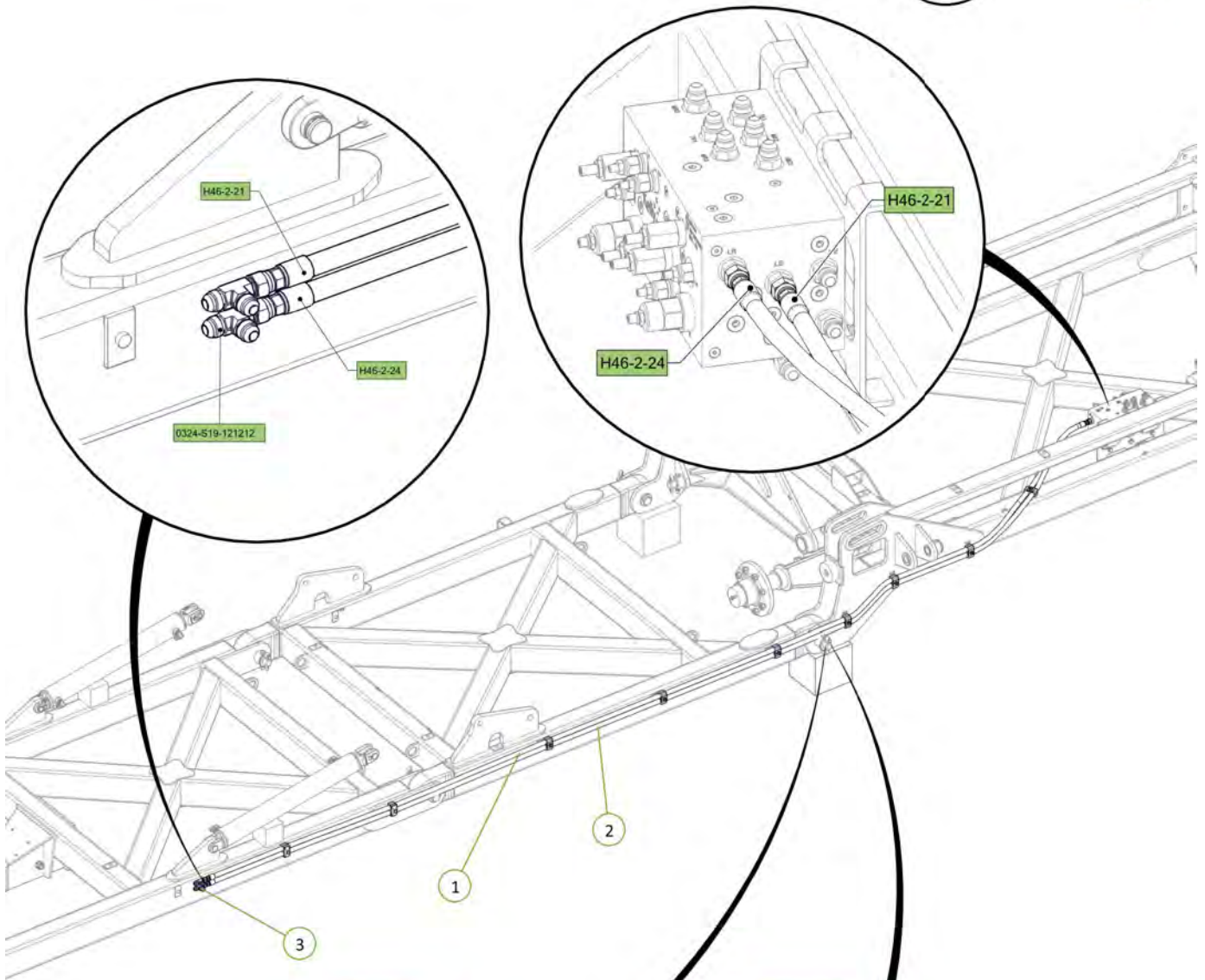




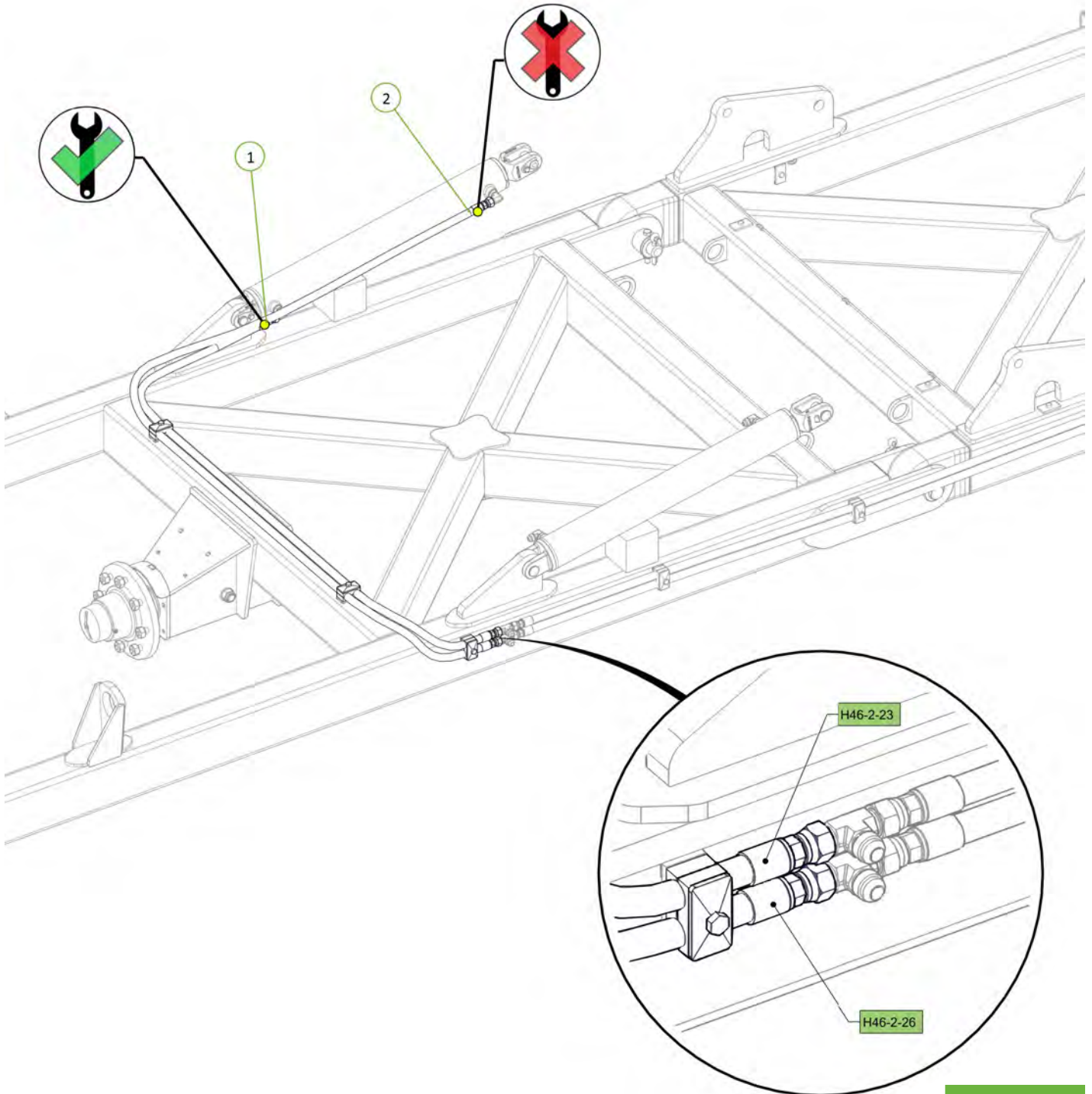
| Item No. | Description | Number | Qty |
|----------|--|-----------------|-----|
| 1 | Double Clamp Bolt Group 2 | 0325-RCD-2BH | 1 |
| 2 | Clamp top plate group 2 | 0325-RCD-2PT | 1 |
| 3 | 17mm Clamp Jaws (Pair) | 0325-RCD-17J | 2 |
| 4 | Double Clamp Stacking Plate (Non Ryco) | 0325-SI-2-5D-W3 | 1 |
| 5 | Double Clamp Stacking Bolt Group 2 | 0325-RCD-2BS | 1 |



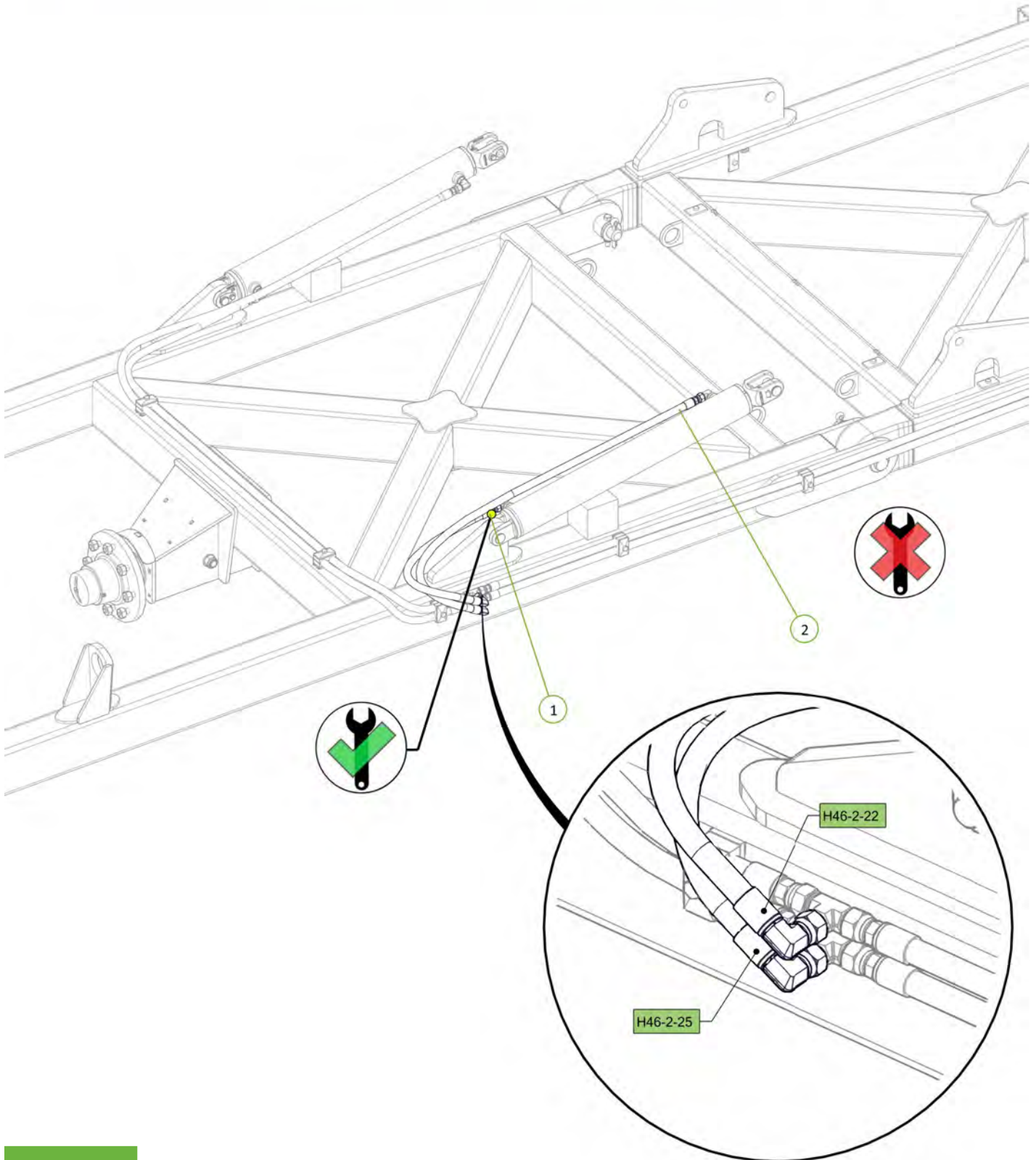
| Item No. | Description | Number | Qty |
|----------|--|-----------------|-----|
| 1 | LH Sequence Valve LE Port to LH Outer Wing Extend Tee | H46-2-21 | 1 |
| 2 | LH Sequence Valve LR Port to LH Outer Wing Cylinder Retract Port | H46-2-24 | 1 |
| 3 | 3/4" JIC Male Tee 3/4" JIC Male Tee 3/4" JIC Male Tee | 0324-S19-121212 | 2 |



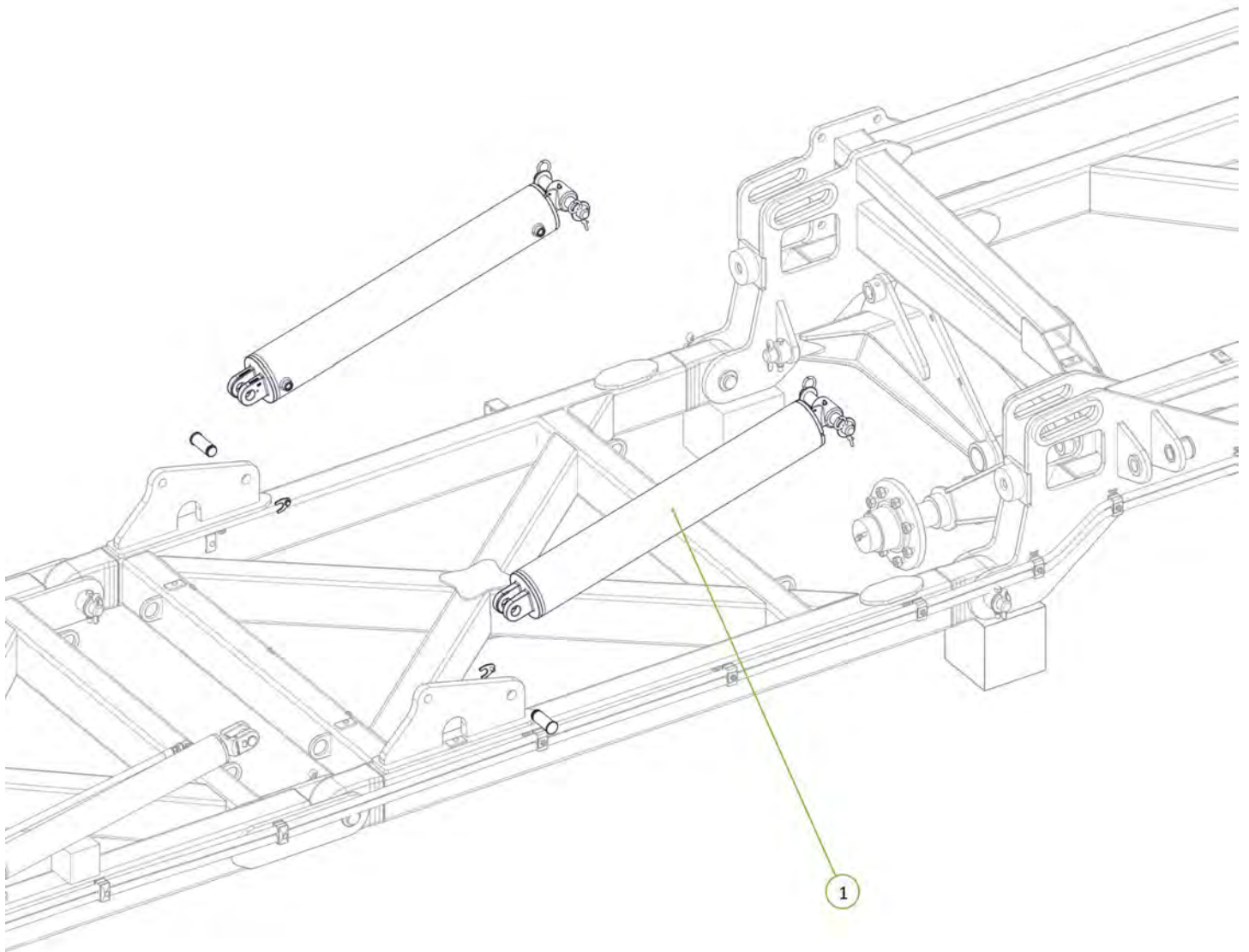
| Item No. | Description | Number | Qty |
|----------|--|----------|-----|
| 1 | LH Outer Wing Extend Tee to LH Inner Wing Front Cylinder Extend Port | H46-2-23 | 1 |
| 2 | LH Outer Wing Retract Tee to LH Inner Wing Front Cylinder Retract Port | H46-2-26 | 1 |

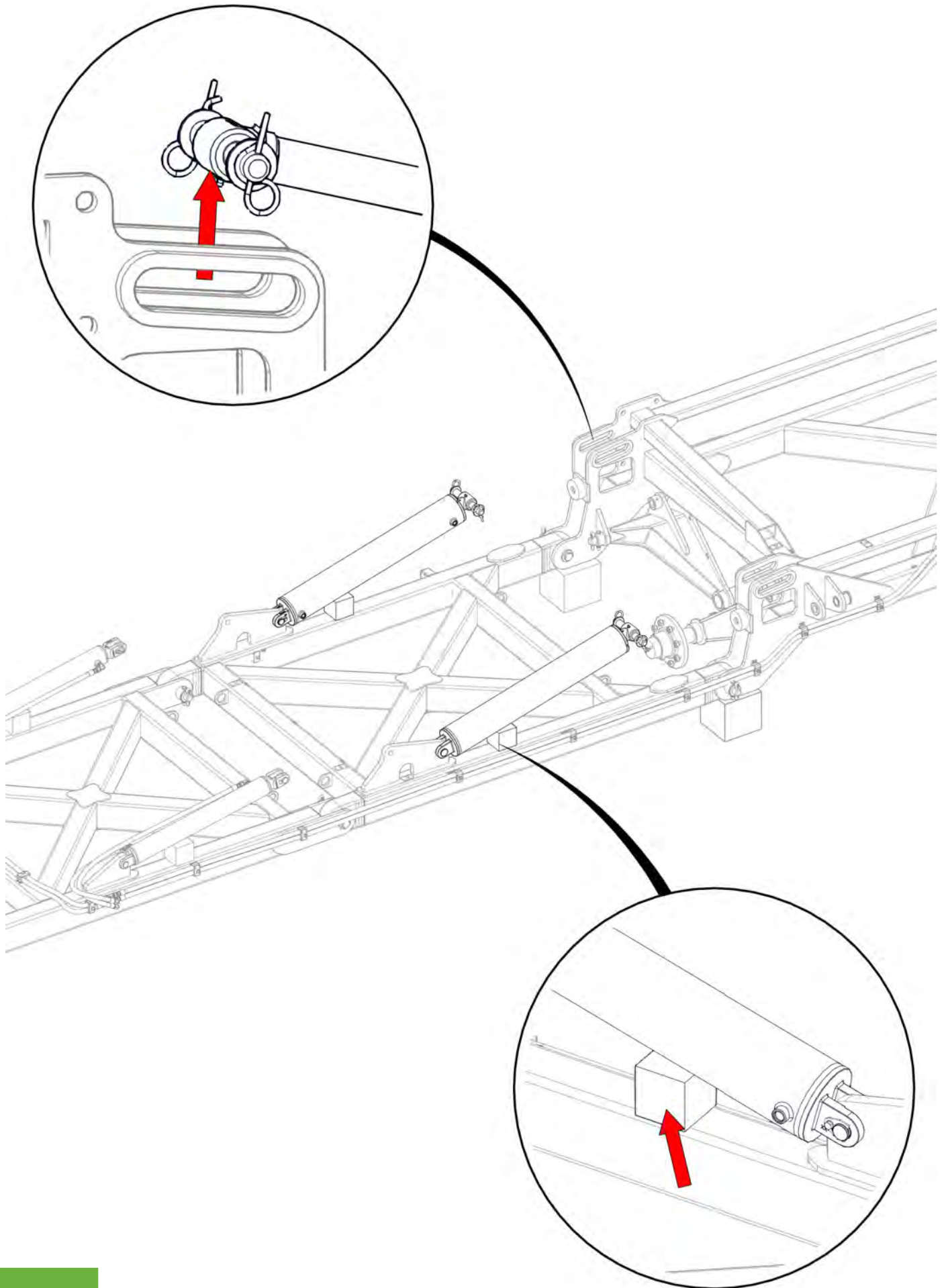


| Item No. | Description | Number | Qty |
|----------|---|----------|-----|
| 1 | LH Outer Wing Extend Tee to LH Inner Wing Rear Cylinder Extend Port | H46-2-22 | 1 |
| 2 | LH Outer Wing Retract Tee to LH Inner Wing Rear Cylinder Retract Port | H46-2-25 | 1 |

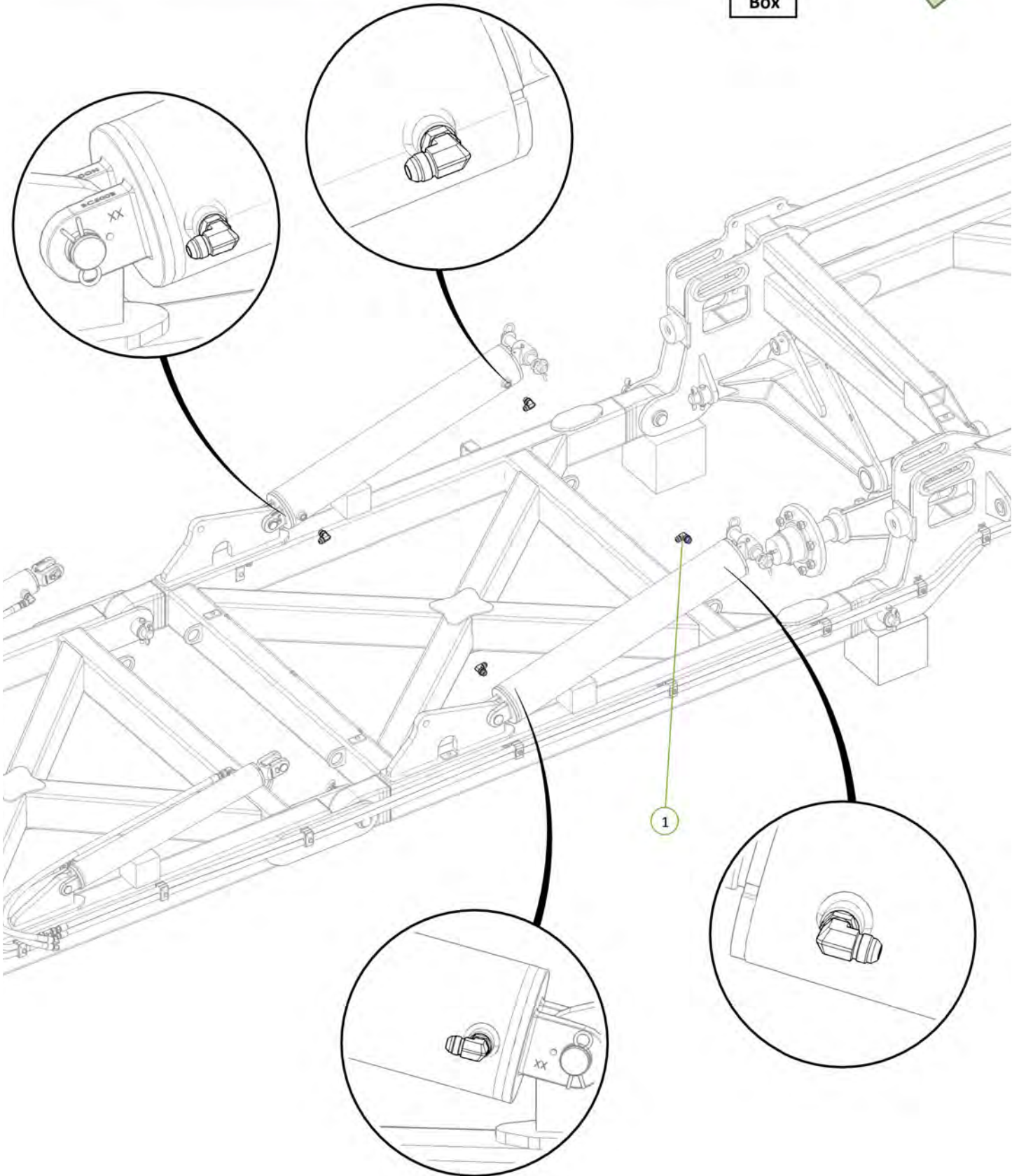


| Item No. | Description | Number | Qty |
|----------|--|--------------|-----|
| 1 | 5" Bore 30" Stroke 3 1/8" S/Tube 2" Rod Hydraulic Cylinder | 0311-530STSP | 2 |

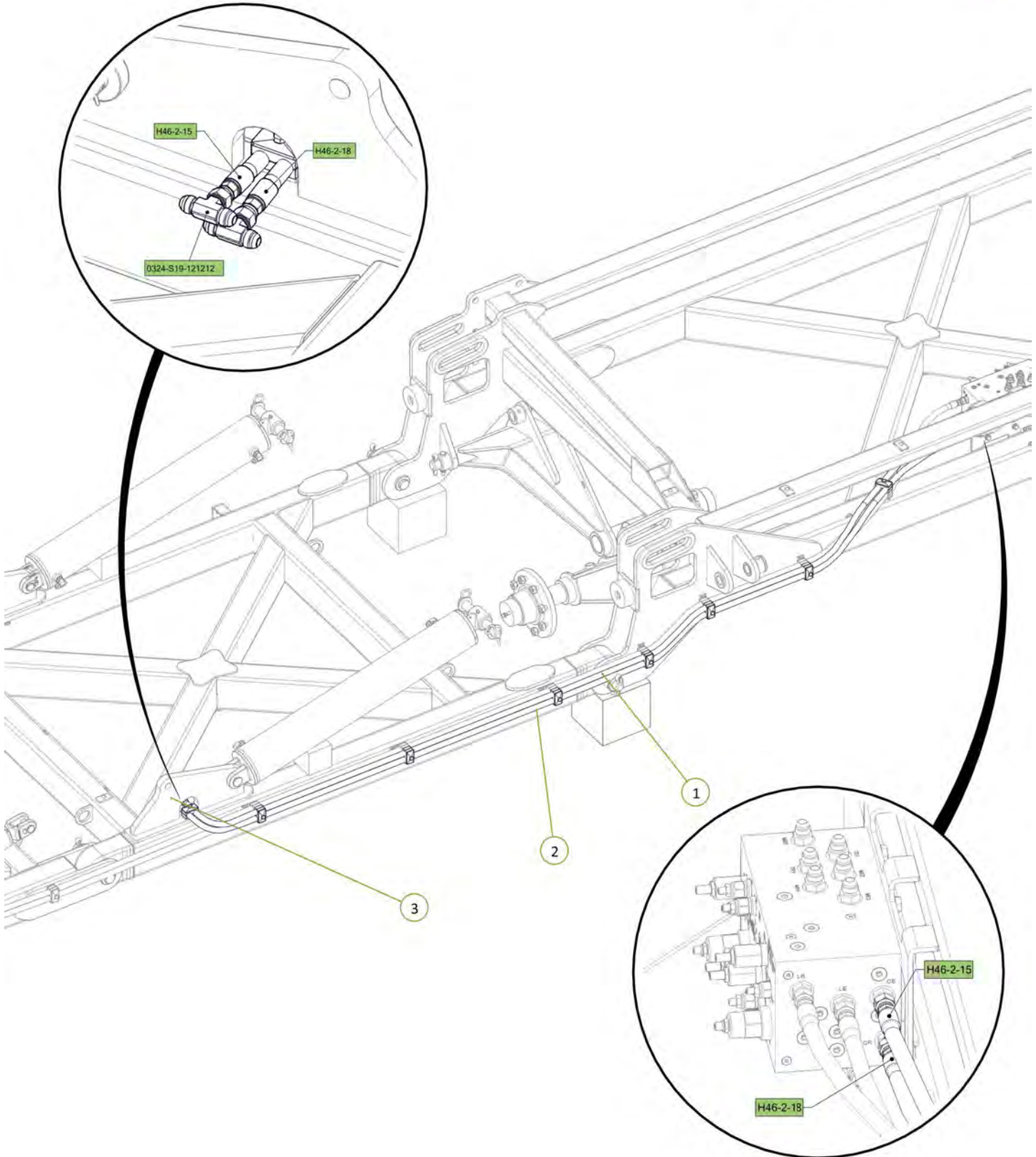




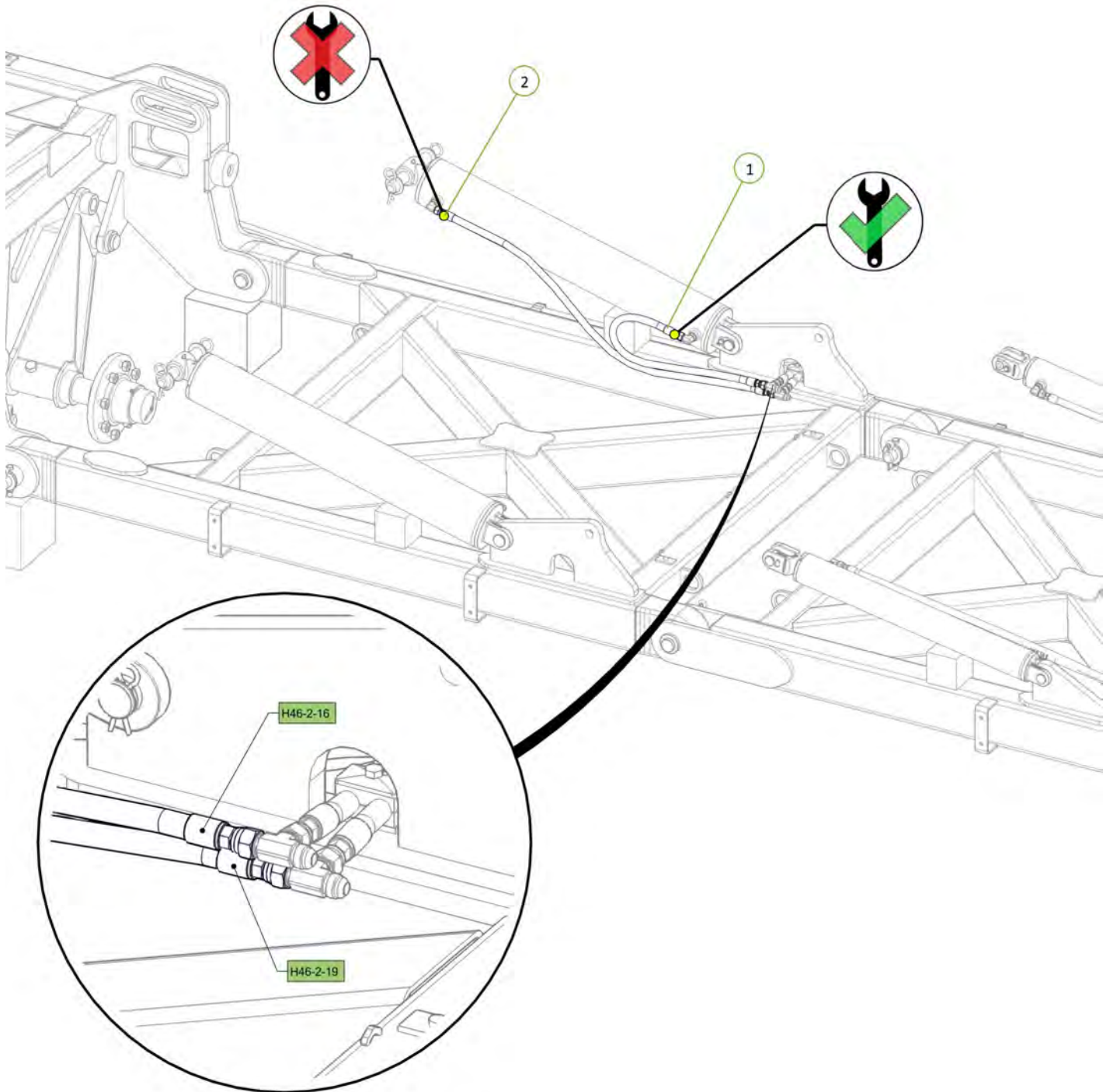
| Item No. | Description | Number | Qty |
|----------|---|---------------|-----|
| 1 | 3/4" JIC Male 3/4" UN O Ring Male 90° Elbow | 0323-S91-1212 | 4 |



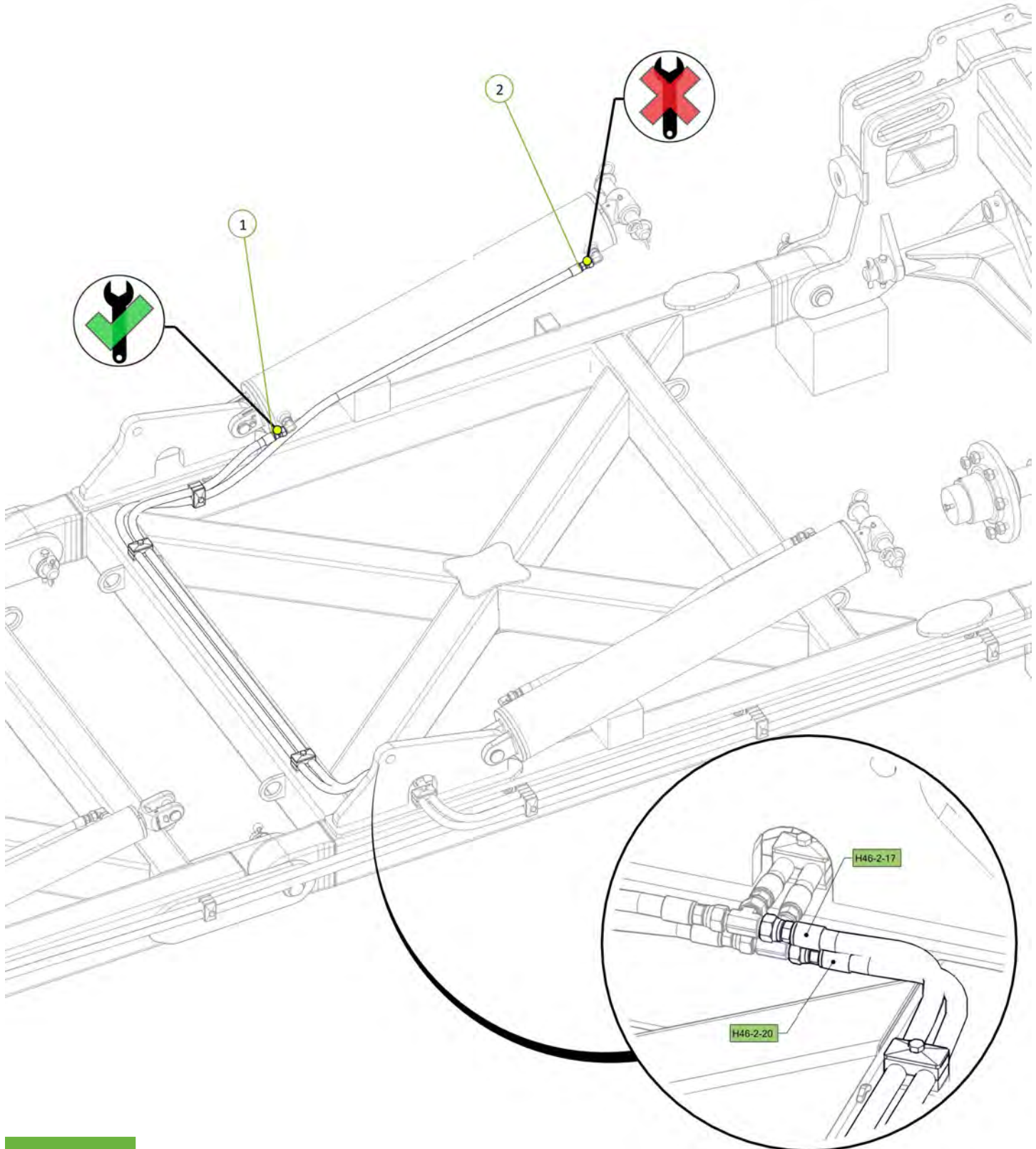
| Item No. | Description | Number | Qty |
|----------|--|-----------------|-----|
| 1 | LH Sequence Valve CE Port to LH Inner Wing Extend Tee | H46-2-15 | 1 |
| 2 | LH Sequence Valve CR Port to LH Inner Wing Retract Tee | H46-2-18 | 1 |
| 3 | 3/4" JIC Male Tee 3/4" JIC Male Tee 3/4" JIC Male Tee | 0324-S19-121212 | 2 |



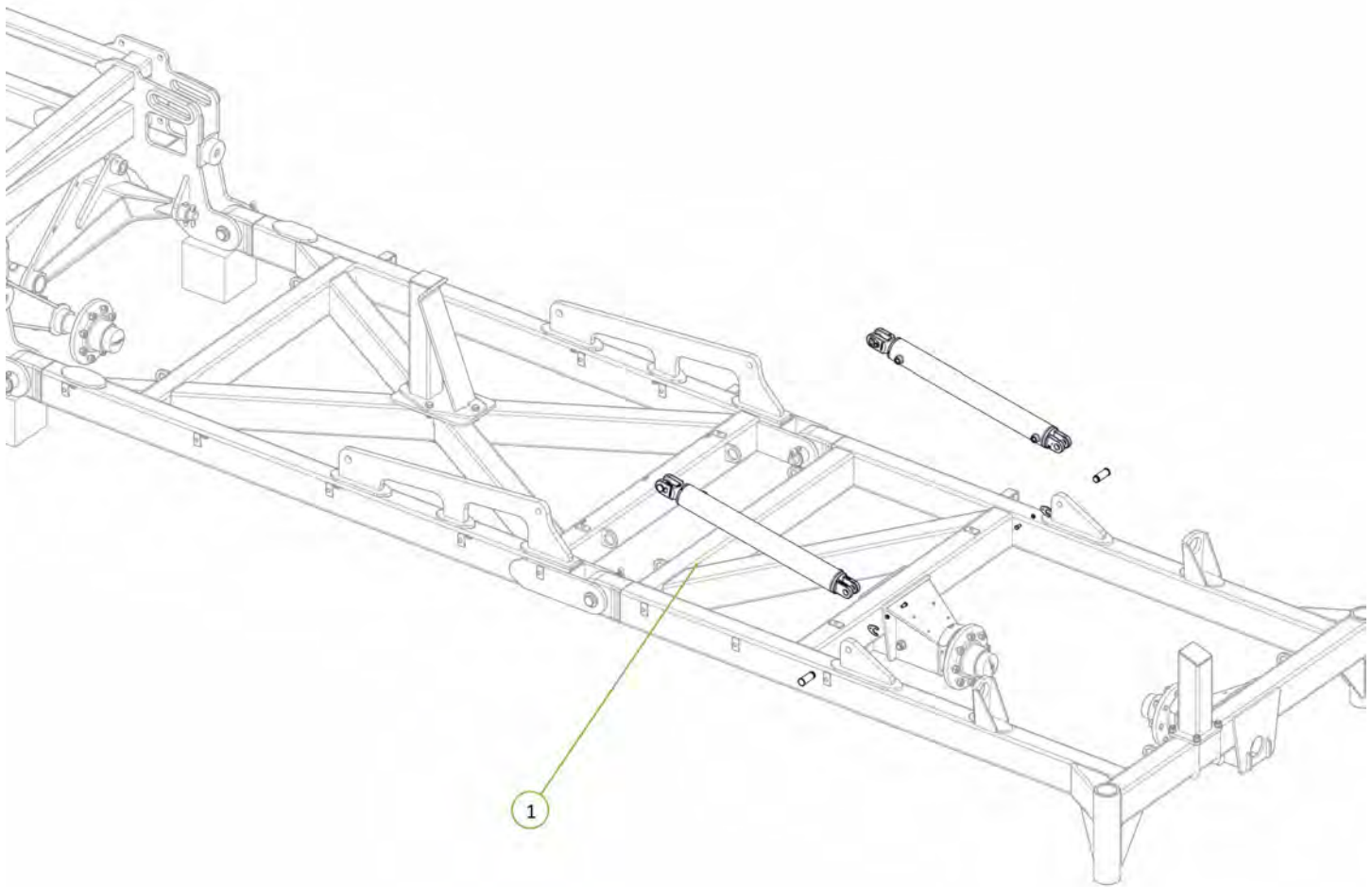
| Item No. | Description | Number | Qty |
|----------|---|----------|-----|
| 1 | LH Inner Wing Extend Tee to LH Inner Wing Rear Cylinder Extend Port | H46-2-16 | 1 |
| 2 | LH Inner Wing Retract Tee to LH Inner Wing Rear Cylinder Retract Port | H46-2-19 | 1 |

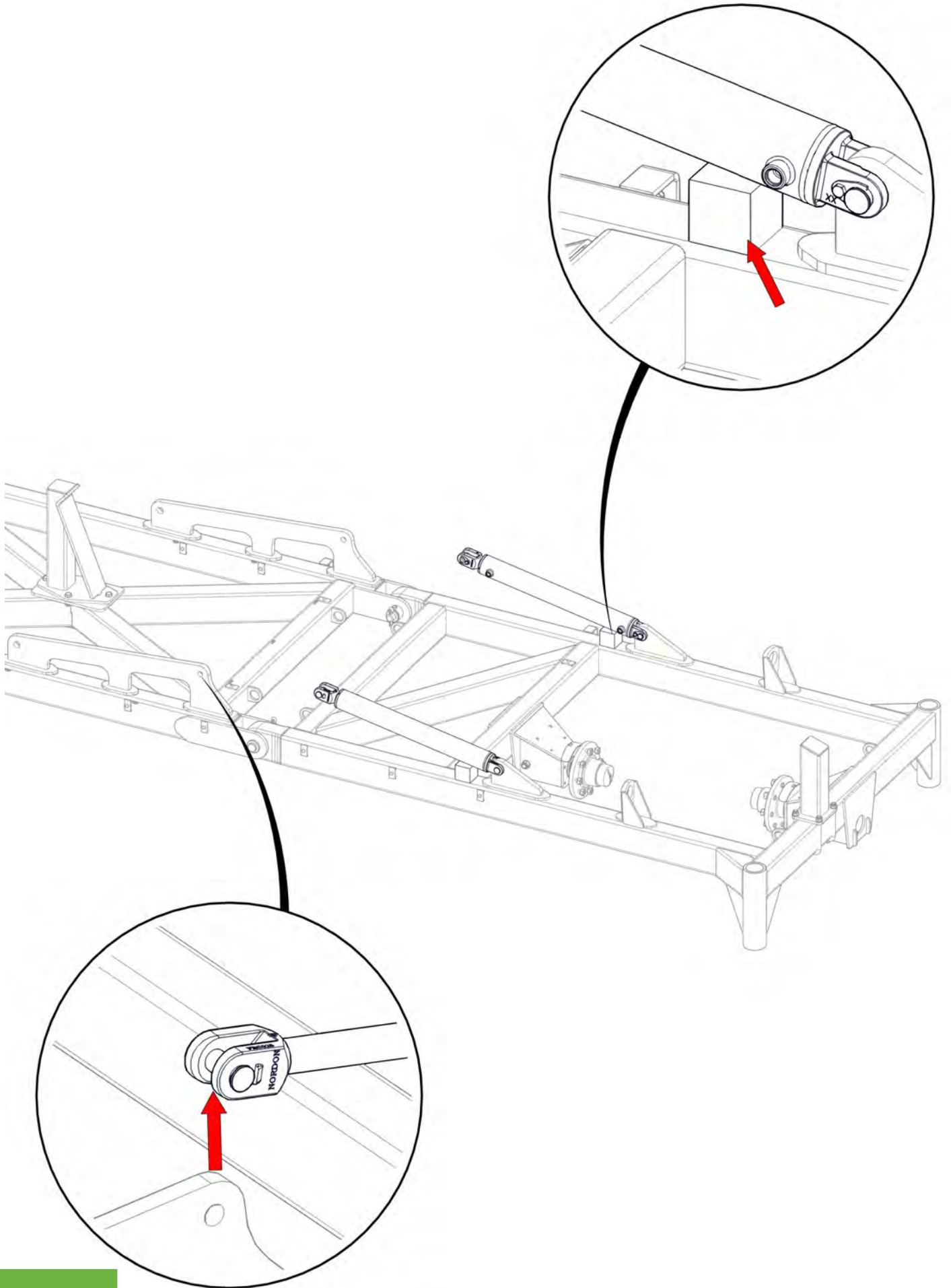


| Item No. | Description | Number | Qty |
|----------|--|----------|-----|
| 1 | LH Inner Wing Extend Tee to LH Inner Wing Front Cylinder Extend Port | H46-2-17 | 1 |
| 2 | LH Inner Wing Retract Tee to LH Inner Wing Front Cylinder Retract Port | H46-2-20 | 1 |

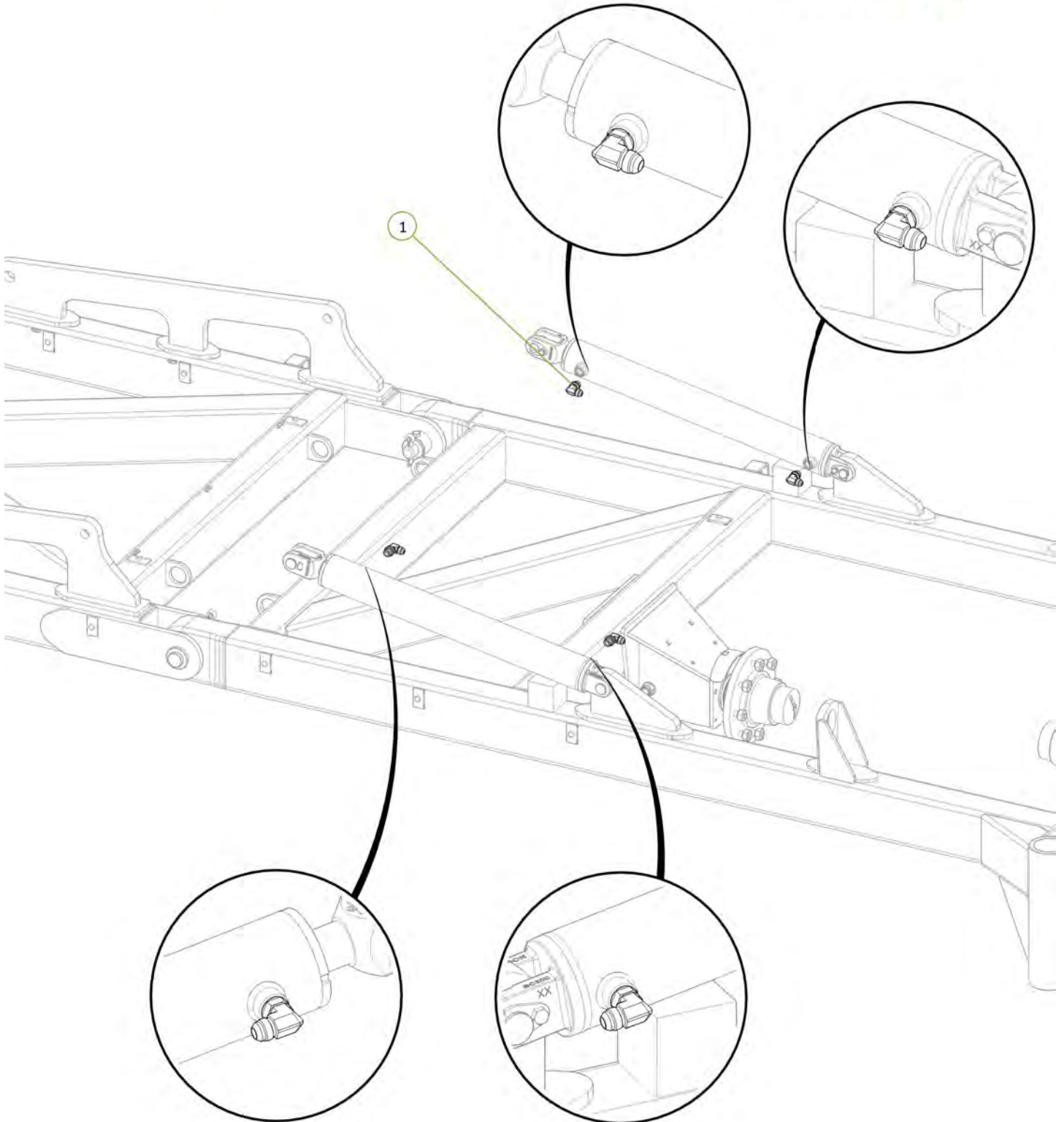


| Item No. | Description | Number | Qty |
|----------|--|--------------|-----|
| 1 | 3" Bore x 24" Stroke 1.5" Rod Hydraulic Cylinder Side Port | 0311-324STSP | 2 |

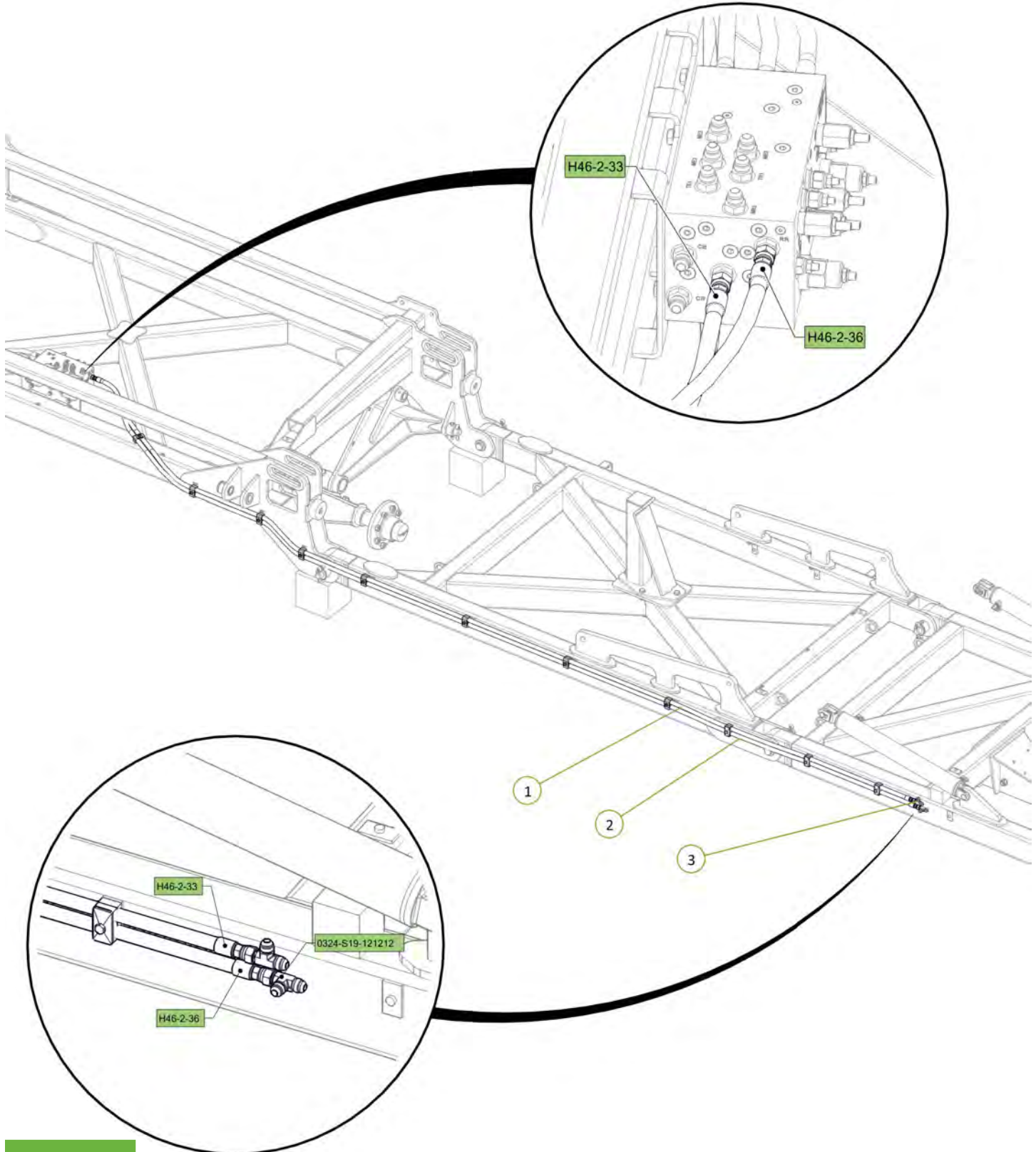




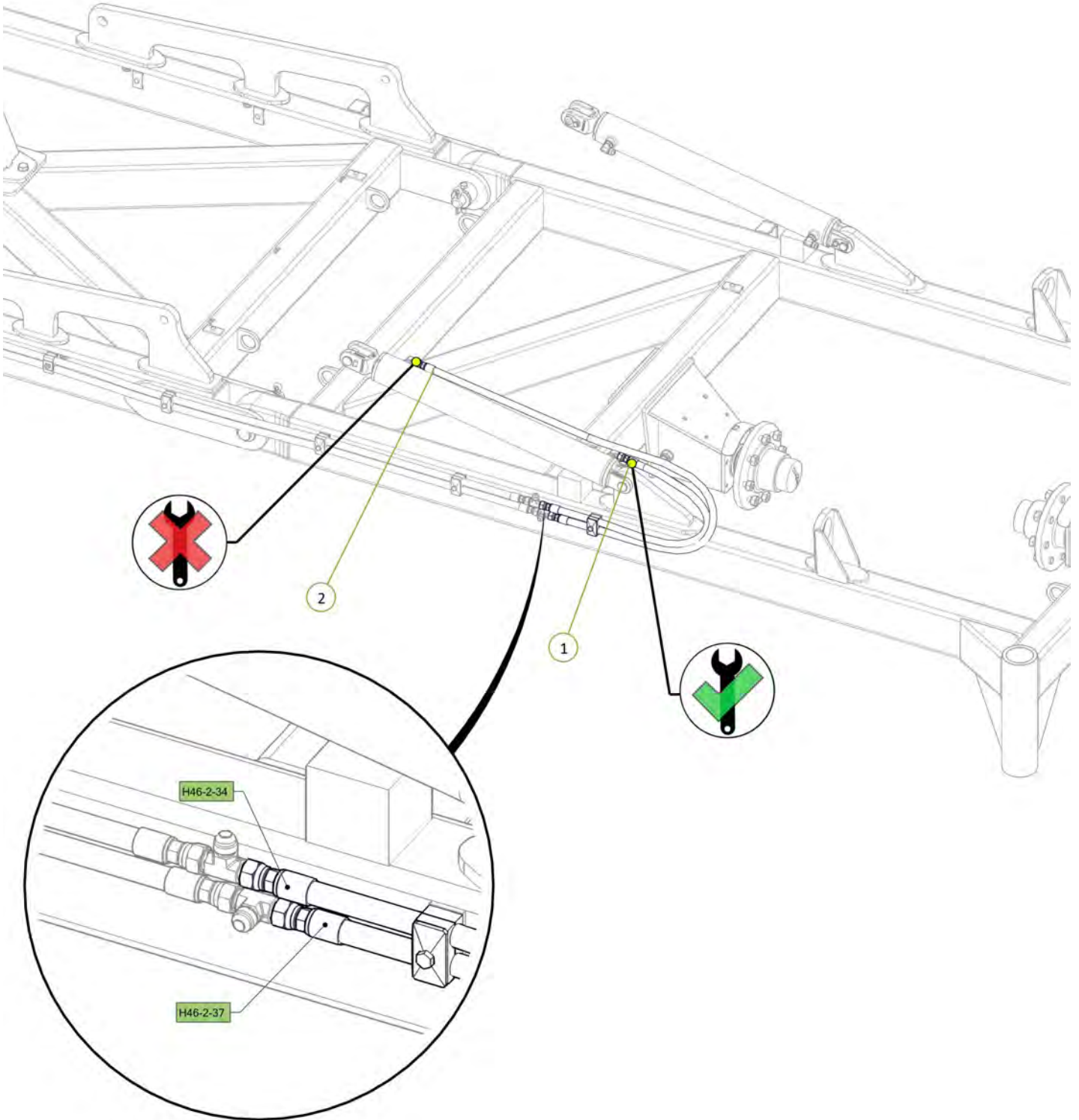
| Item No. | Description | Number | Qty |
|----------|---|---------------|-----|
| 1 | 3/4" JIC Male 3/4" UN O Ring Male 90° Elbow | 0323-S91-1212 | 4 |



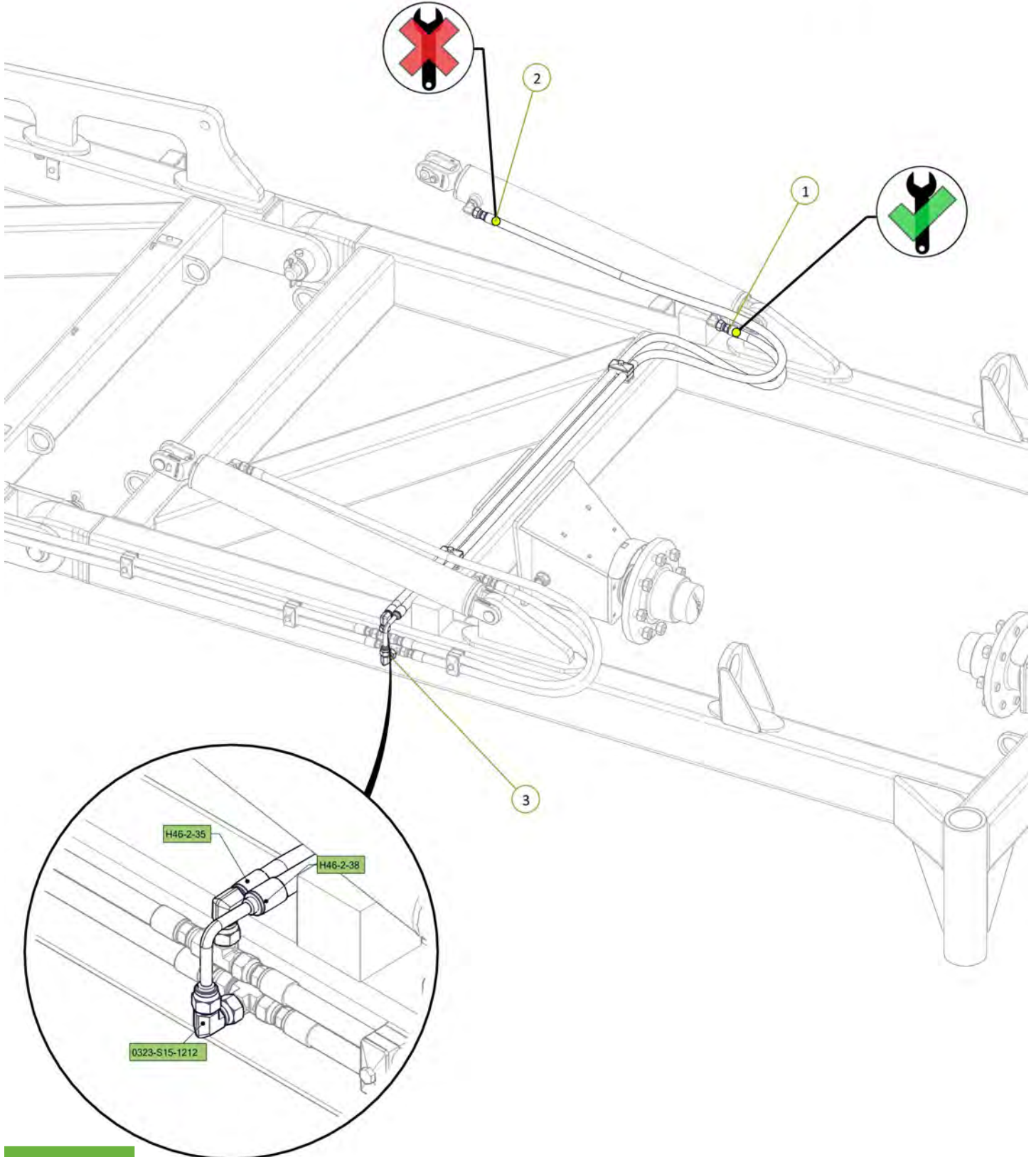
| Item No. | Description | Number | Qty |
|----------|--|-----------------|-----|
| 1 | RH Sequence Valve RE Port to RH Outer Wing Extend Tee | H46-2-33 | 1 |
| 2 | RH Sequence Valve RR Port to RH Outer Wing Retract Tee | H46-2-36 | 1 |
| 3 | 3/4" JIC Male Tee 3/4" JIC Male Tee 3/4" JIC Male Tee | 0324-S19-121212 | 2 |



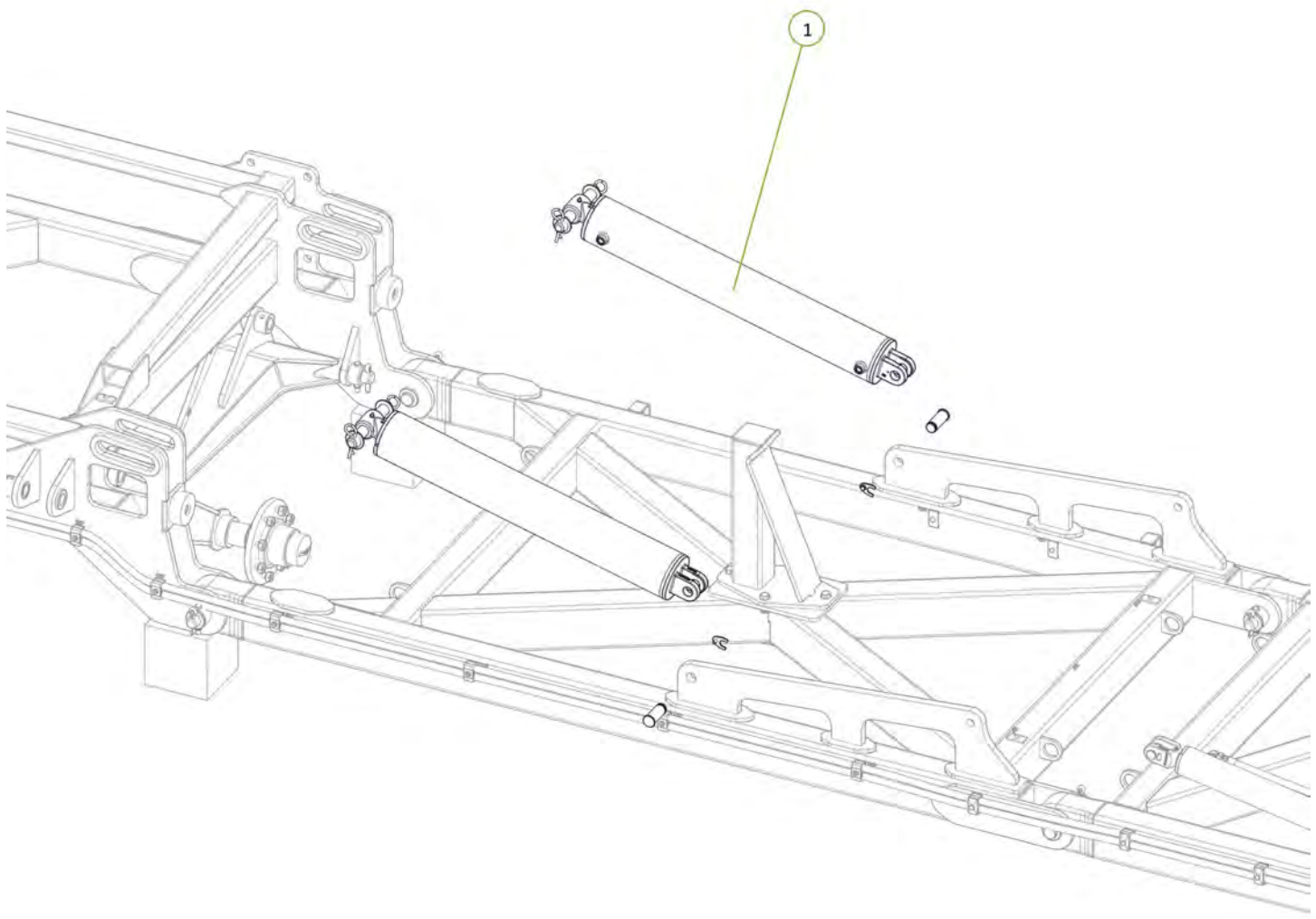
| Item No. | Description | Number | Qty |
|----------|---|----------|-----|
| 1 | RH Outer Wing Extend Tee to RH Inner Wing Rear Cylinder Extend Port | H46-2-34 | 1 |
| 2 | RH Outer Wing Retract Tee to RH Inner Wing Rear Cylinder Retract Port | H46-2-37 | 1 |

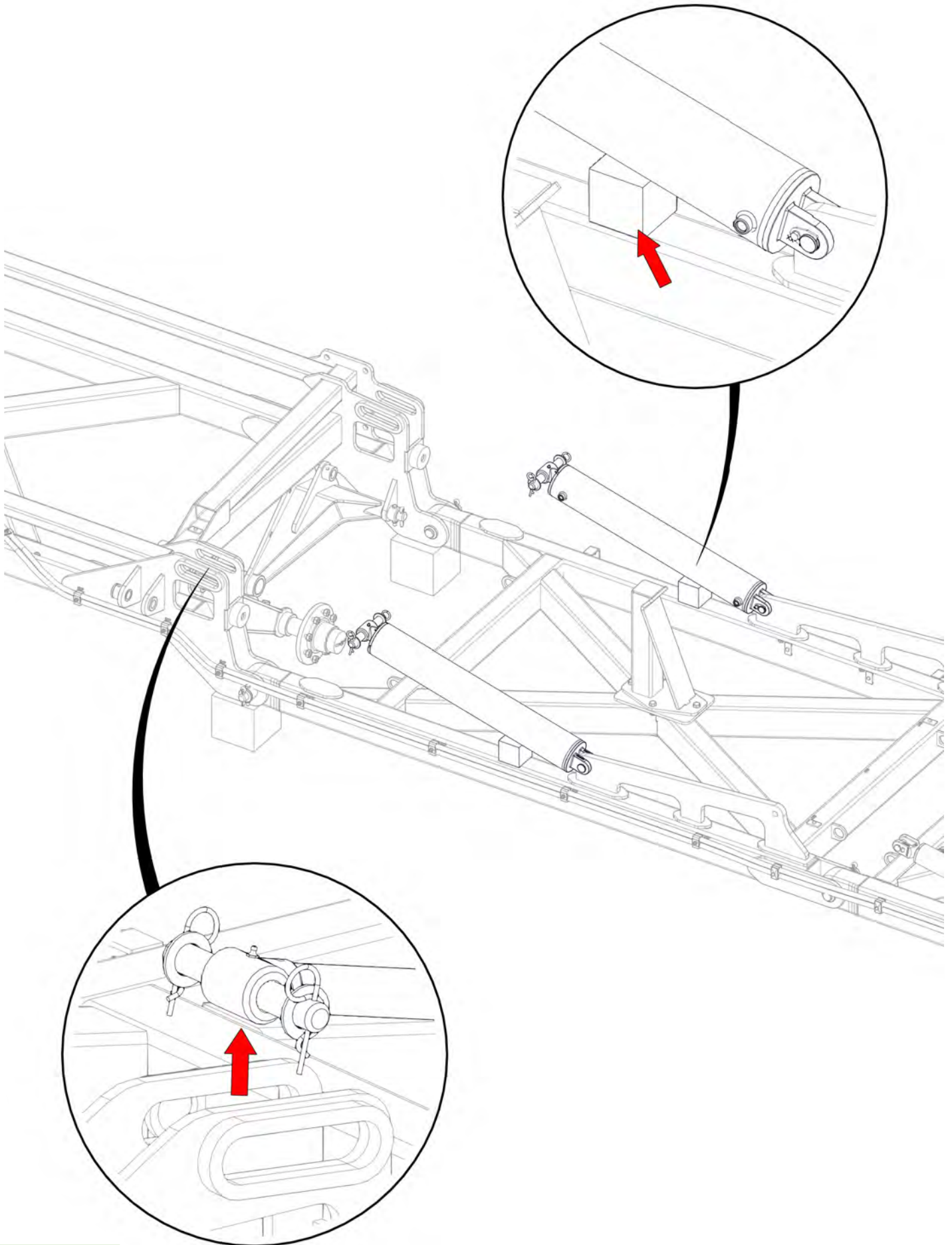


| Item No. | Description | Number | Qty |
|----------|--|---------------|-----|
| 1 | RH Outer Wing Extend Tee to RH Inner Wing Front Cylinder Extend Port | H46-2-35 | 1 |
| 2 | RH Outer Wing Retract Tee to RH Inner Wing Front Cylinder Retract Port | H46-2-38 | 1 |
| 3 | 3/4" JIC Male 3/4" JIC Female Swivel 90° Elbow | 0323-S15-1212 | 1 |

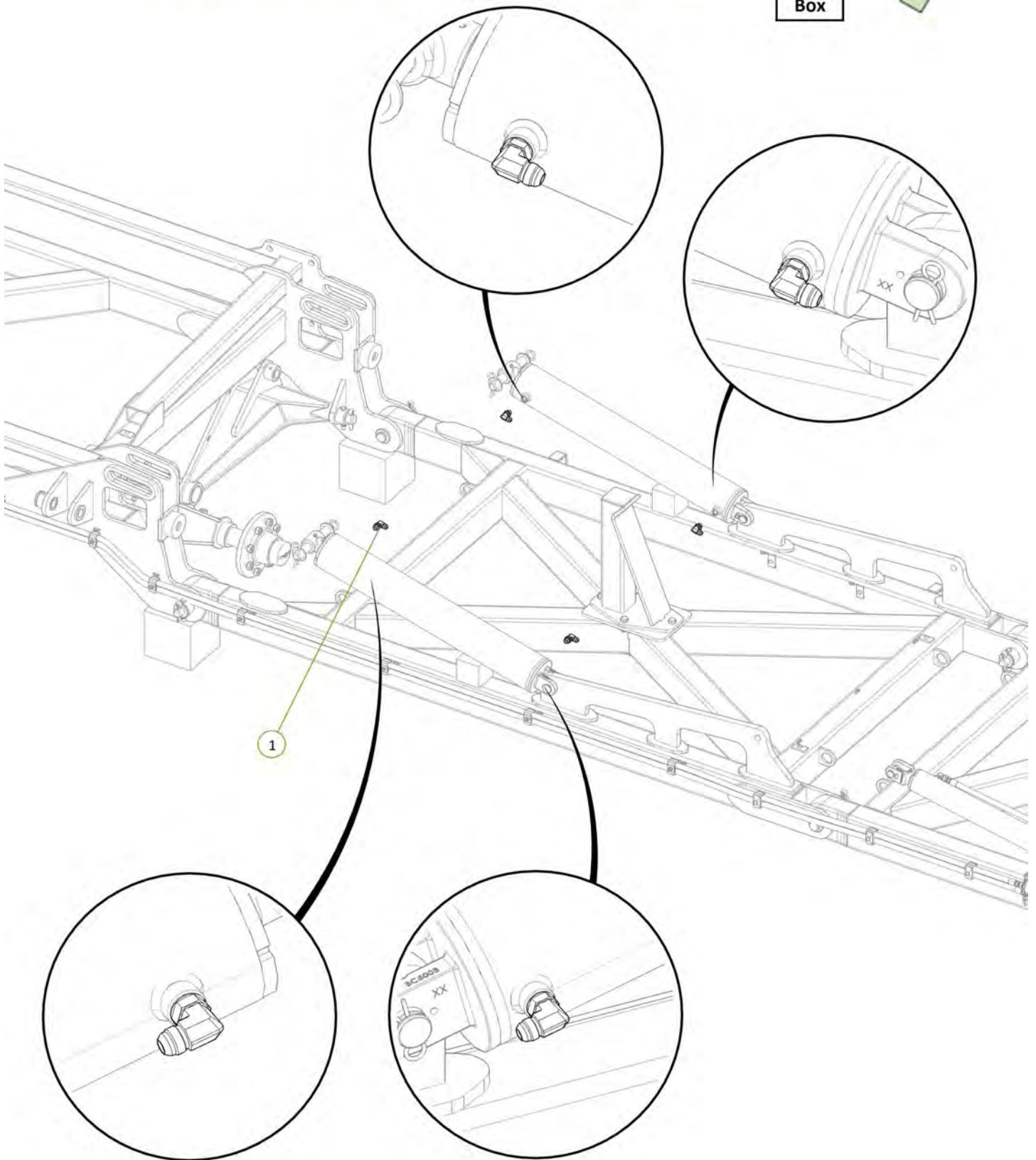


| Item No. | Description | Number | Qty |
|----------|--|--------------|-----|
| 1 | 5" Bore 30" Stroke 3 1/8" S/Tube 2" Rod Hydraulic Cylinder | 0311-530STSP | 2 |

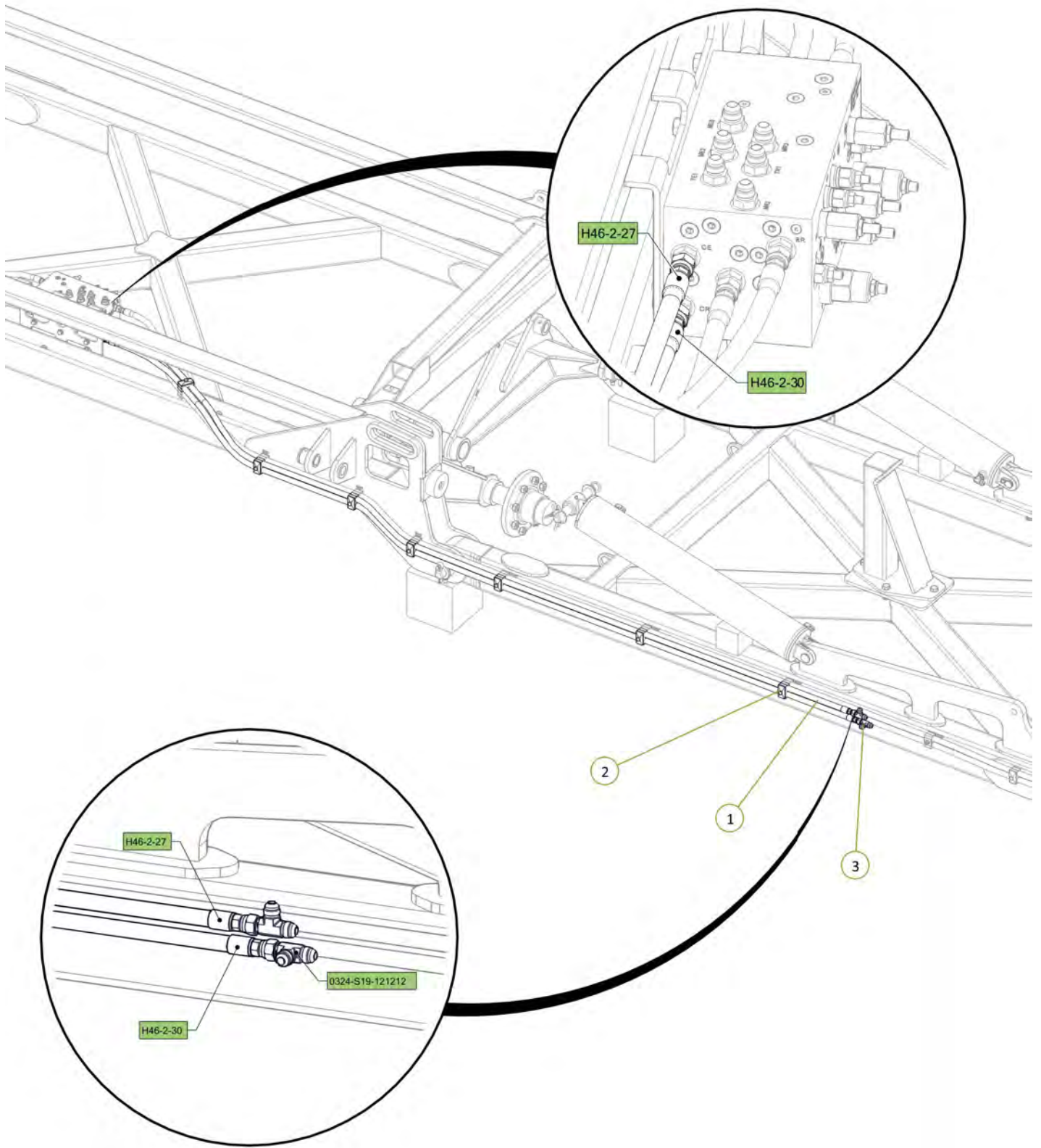




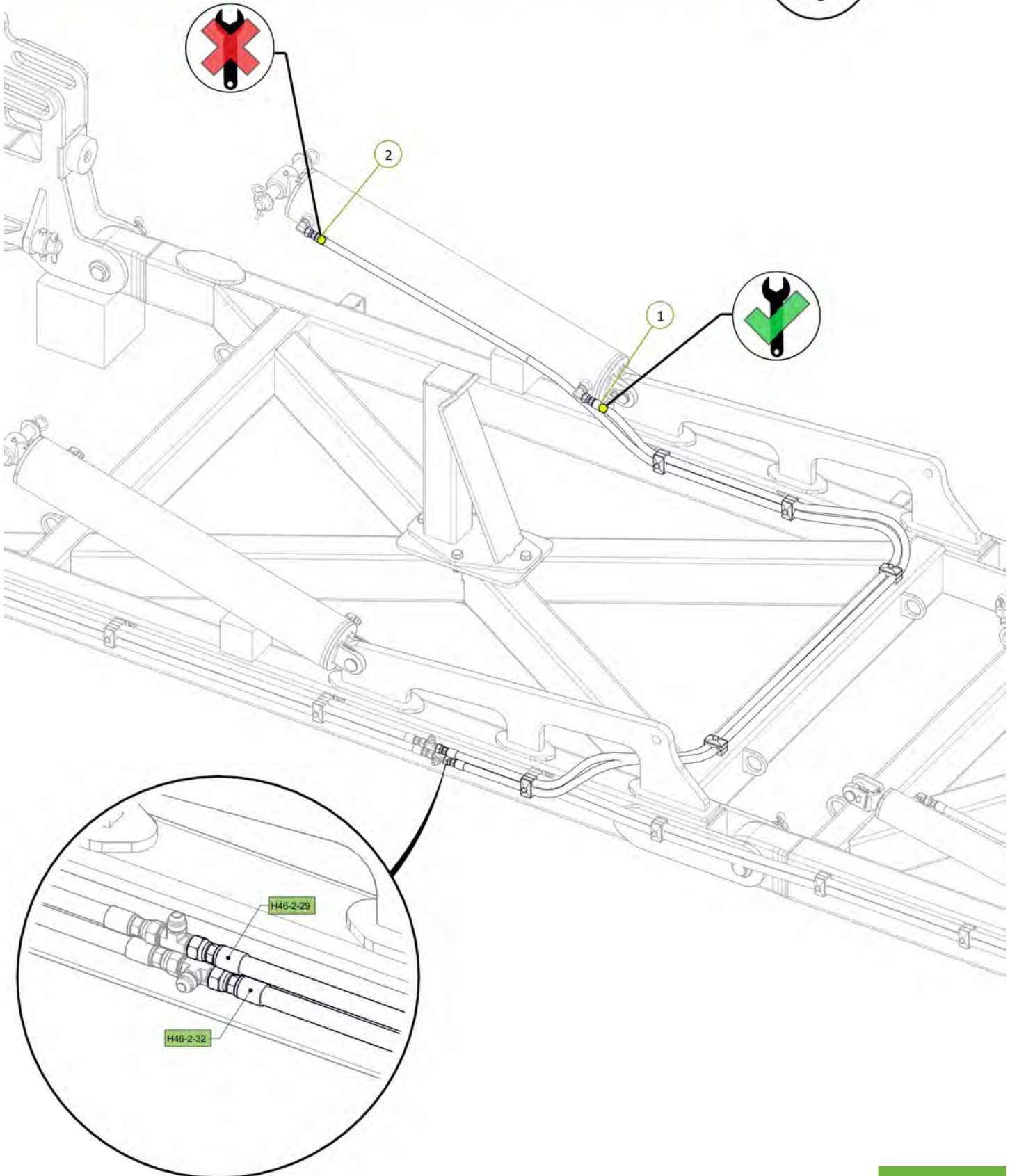
| Item No. | Description | Number | Qty |
|----------|---|---------------|-----|
| 1 | 3/4" JIC Male 3/4" UN O Ring Male 90° Elbow | 0323-S91-1212 | 4 |



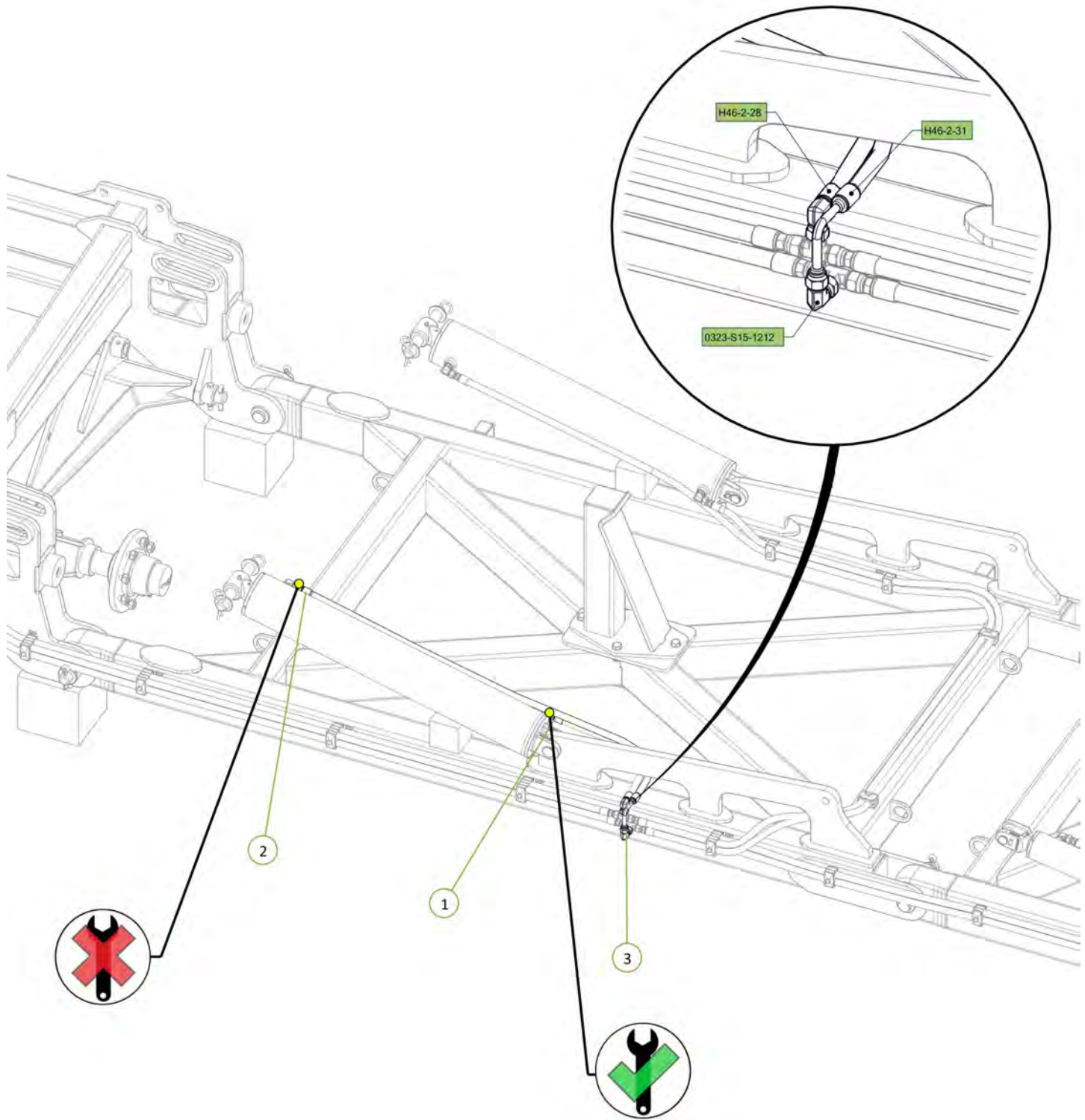
| Item No. | Description | Number | Qty |
|----------|--|-----------------|-----|
| 1 | RH Sequence Valve CE Port to RH Inner Wing Extend Tee | H46-2-27 | 1 |
| 2 | RH Sequence Valve CR Port to RH Inner Wing Retract Tee | H46-2-30 | 1 |
| 3 | 3/4" JIC Male Tee 3/4" JIC Male Tee 3/4" JIC Male Tee | 0324-S19-121212 | 2 |



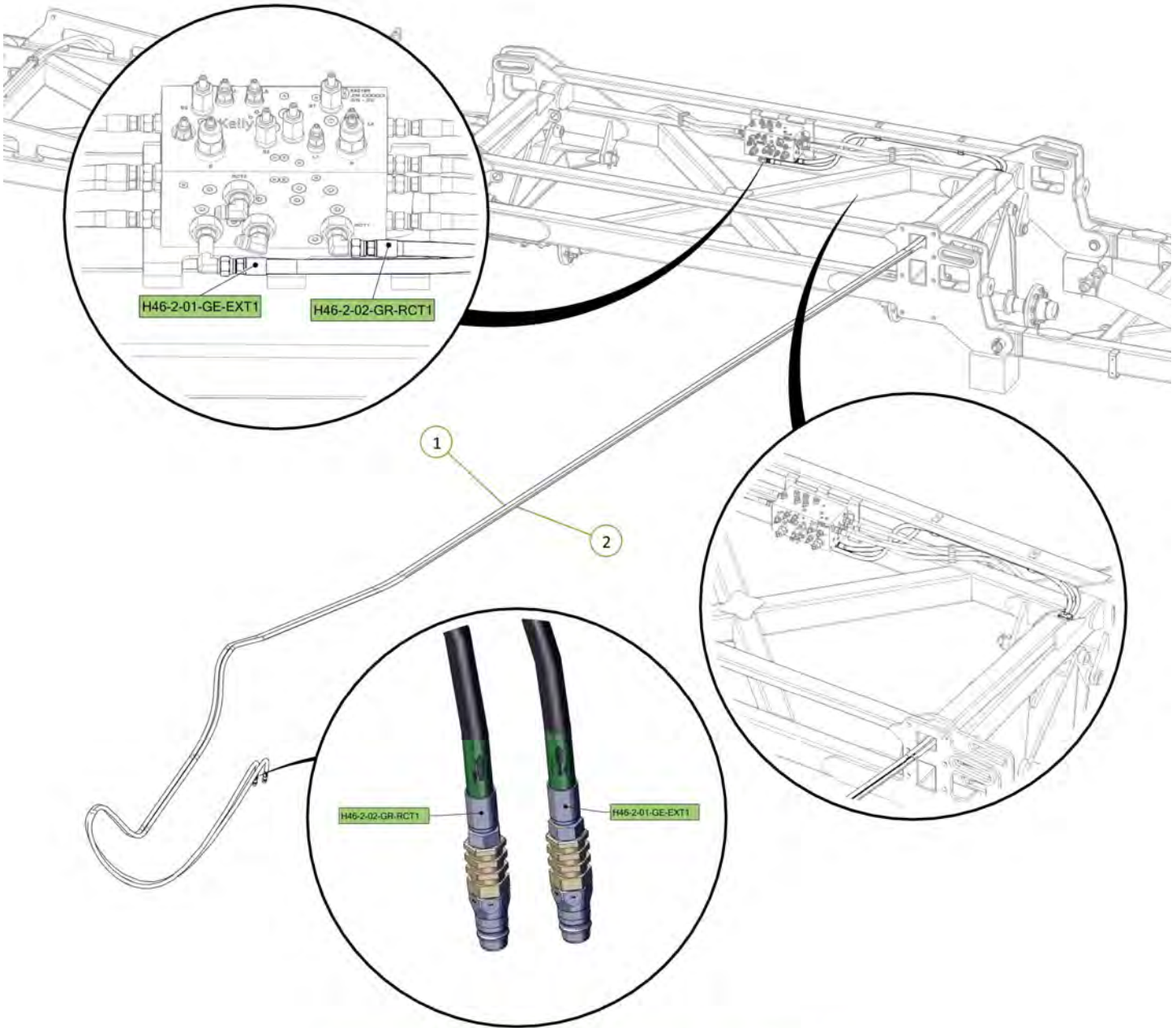
| Item No. | Description | Number | Qty |
|----------|--|----------|-----|
| 1 | RH Inner Wing Extend Tee to RH Inner Wing Front Cylinder Extend Port | H46-2-29 | 1 |
| 2 | RH Inner Wing Retract Tee to RH Inner Wing Front Cylinder Retract Port | H46-2-32 | 1 |



| Item No. | Description | Number | Qty |
|----------|---|---------------|-----|
| 1 | RH Inner Wing Extend Tee to RH Inner Wing Rear Cylinder Extend Port | H46-2-28 | 1 |
| 2 | RH Inner Wing Retract Tee to RH Inner Wing Rear Cylinder Retract Port | H46-2-31 | 1 |
| 3 | 3/4" JIC Male 3/4" JIC Female Swivel 90° Elbow | 0323-S15-1212 | 1 |



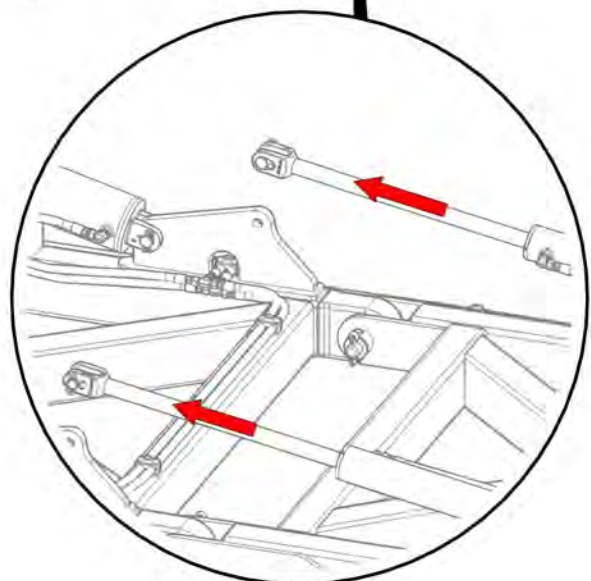
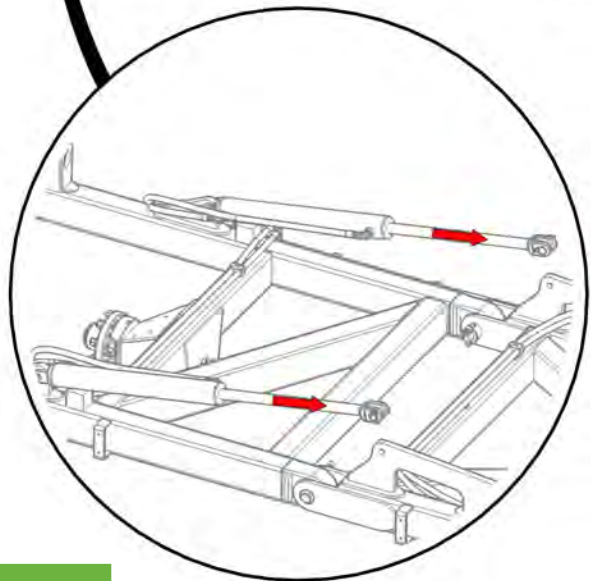
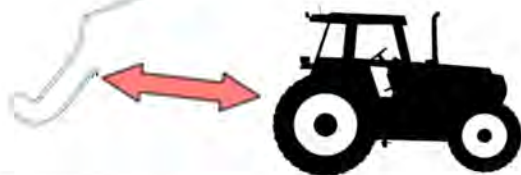
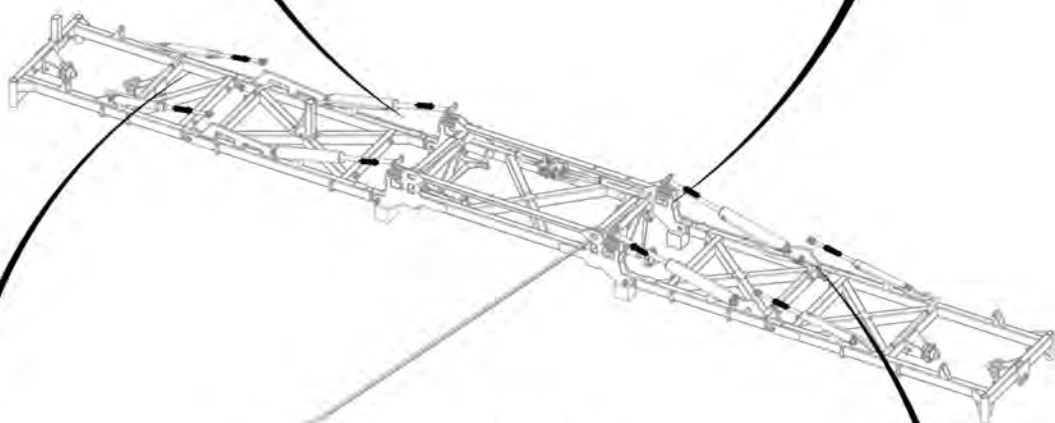
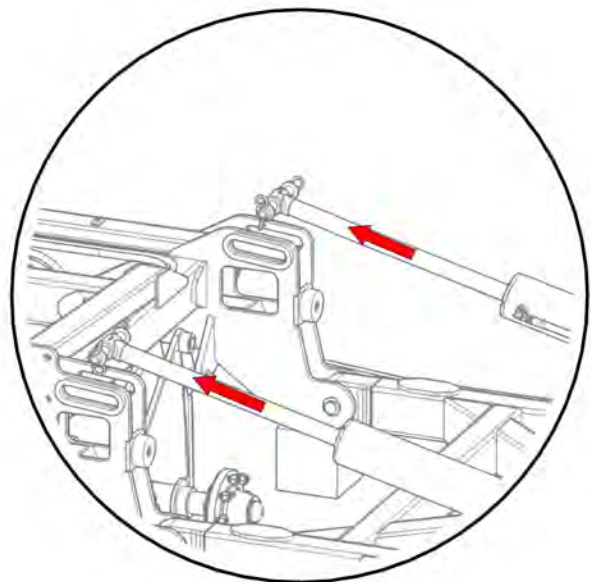
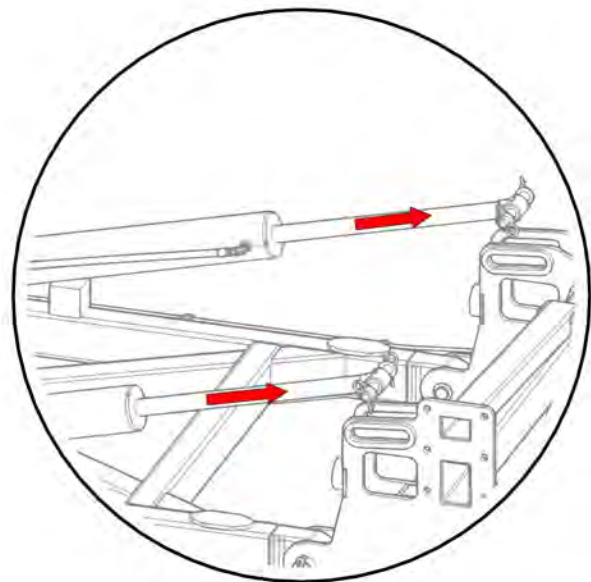
| Item No. | Description | Number | Qty |
|----------|---|------------------|-----|
| 1 | Tractor to Sequence Valve EXT1 Port Fitted With Green EXT Decal | H46-2-01-GE-EXT1 | 1 |
| 2 | Tractor to Sequence Valve RCT1 Port Fitted With Green RET Decal | H46-2-02-GR-RCT1 | 1 |

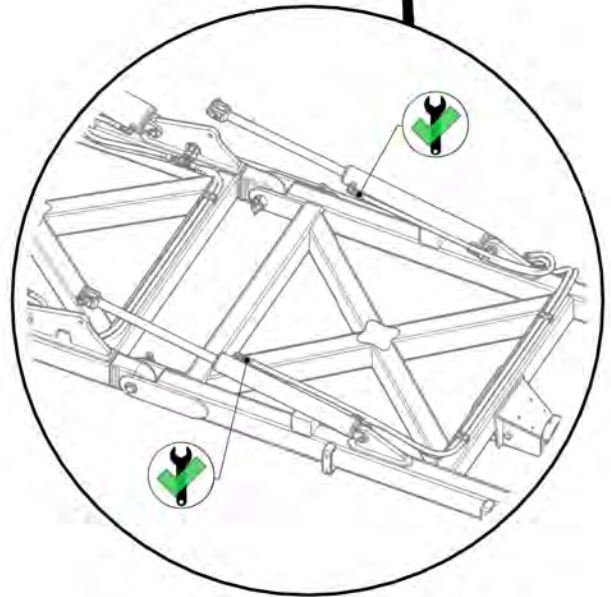
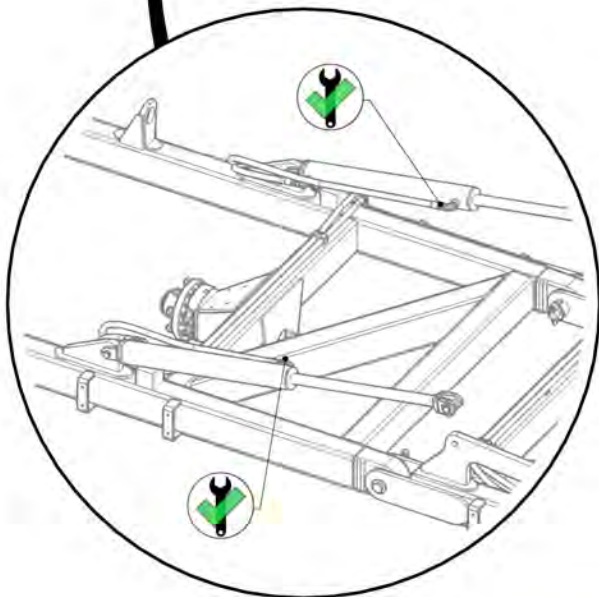
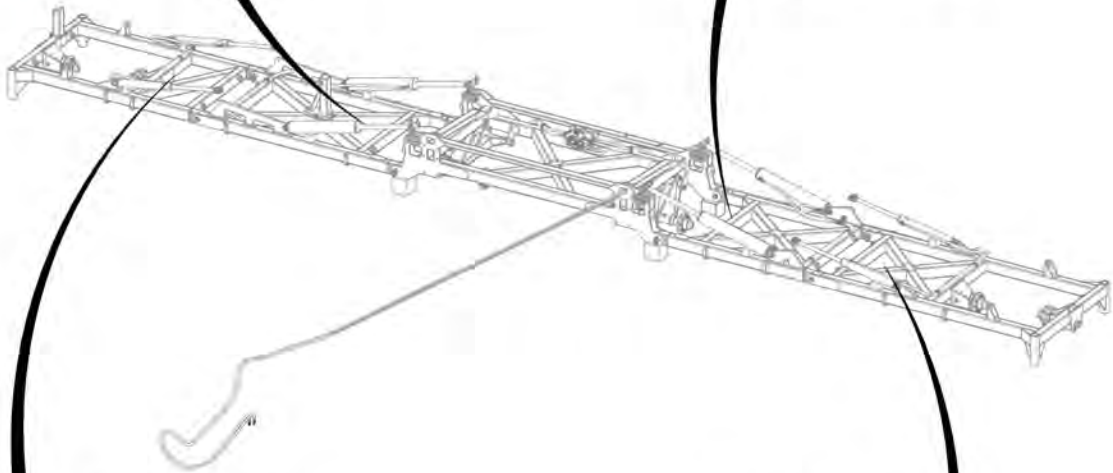
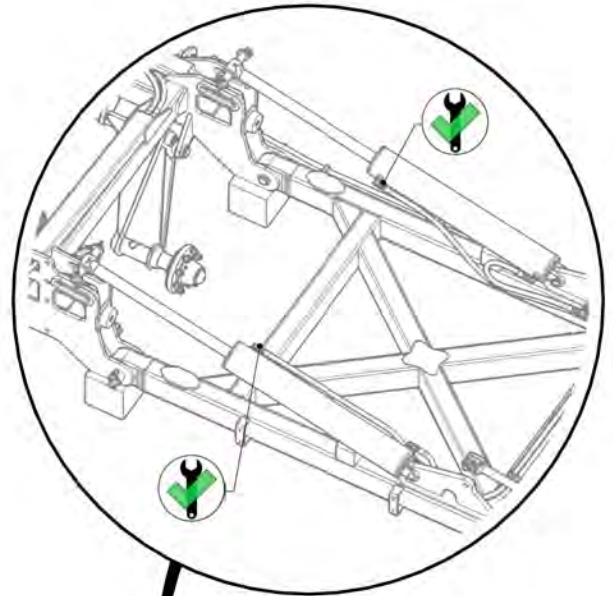
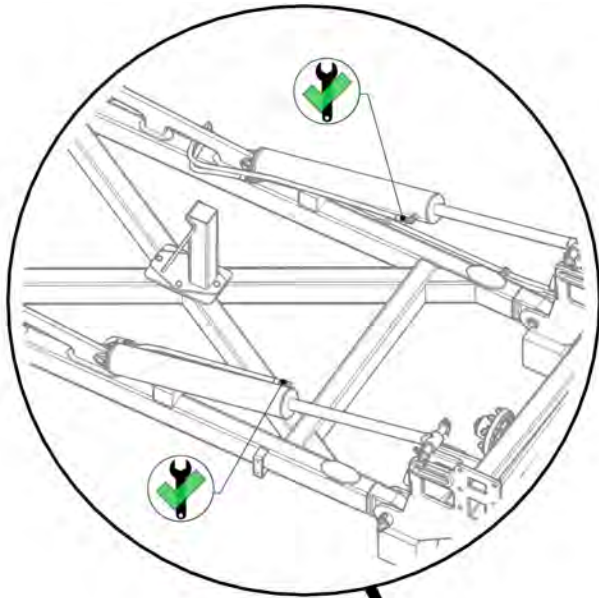


All retract hose fittings loose to allow air to escape

All cylinders chocked up to prevent clash during extend

Signed _____ Date ____/____/____
 Unit Serial Number _____

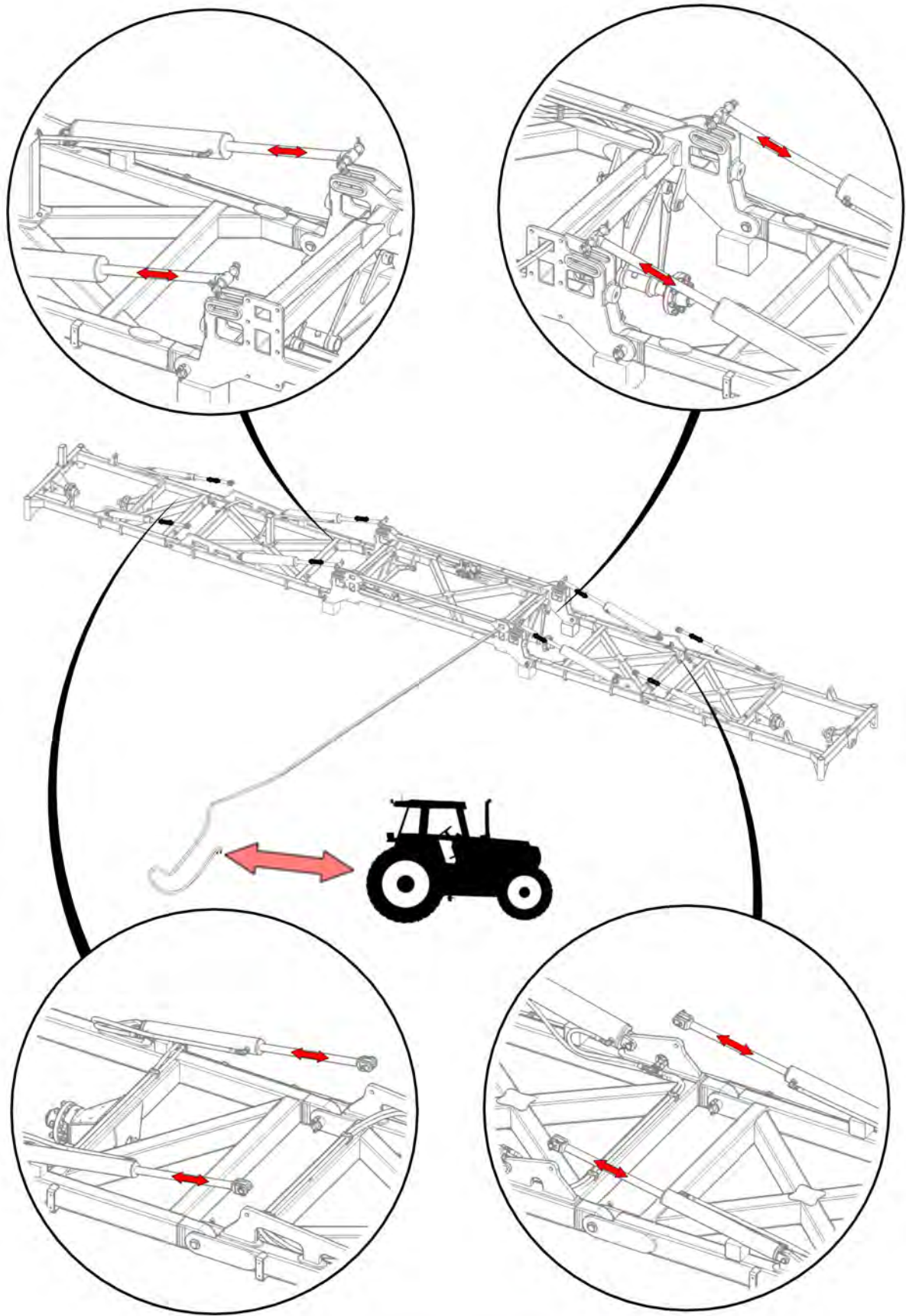




Retract fittings tightened



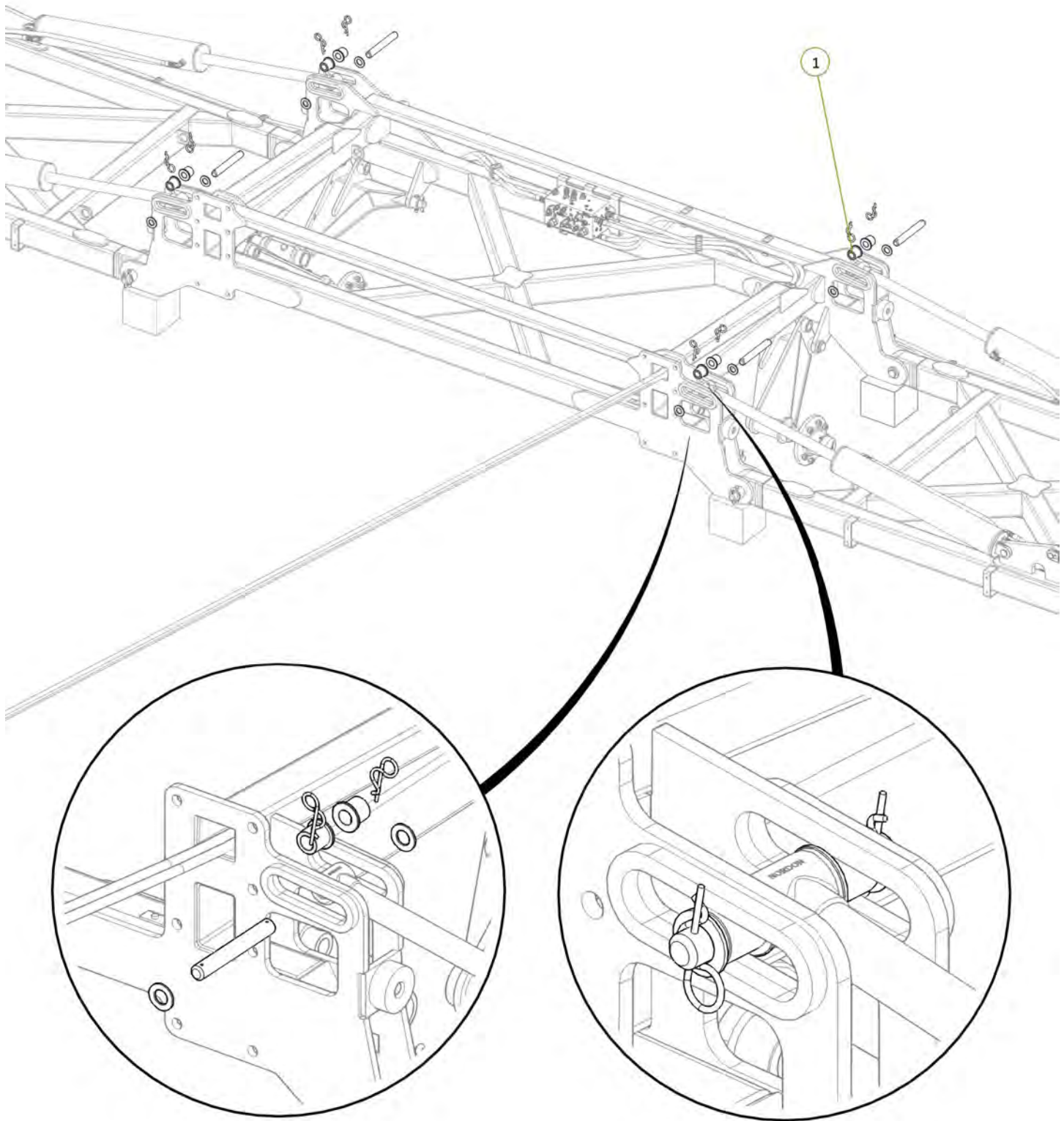
Signed _____ Date ____ / ____ / ____
Unit Serial Number _____

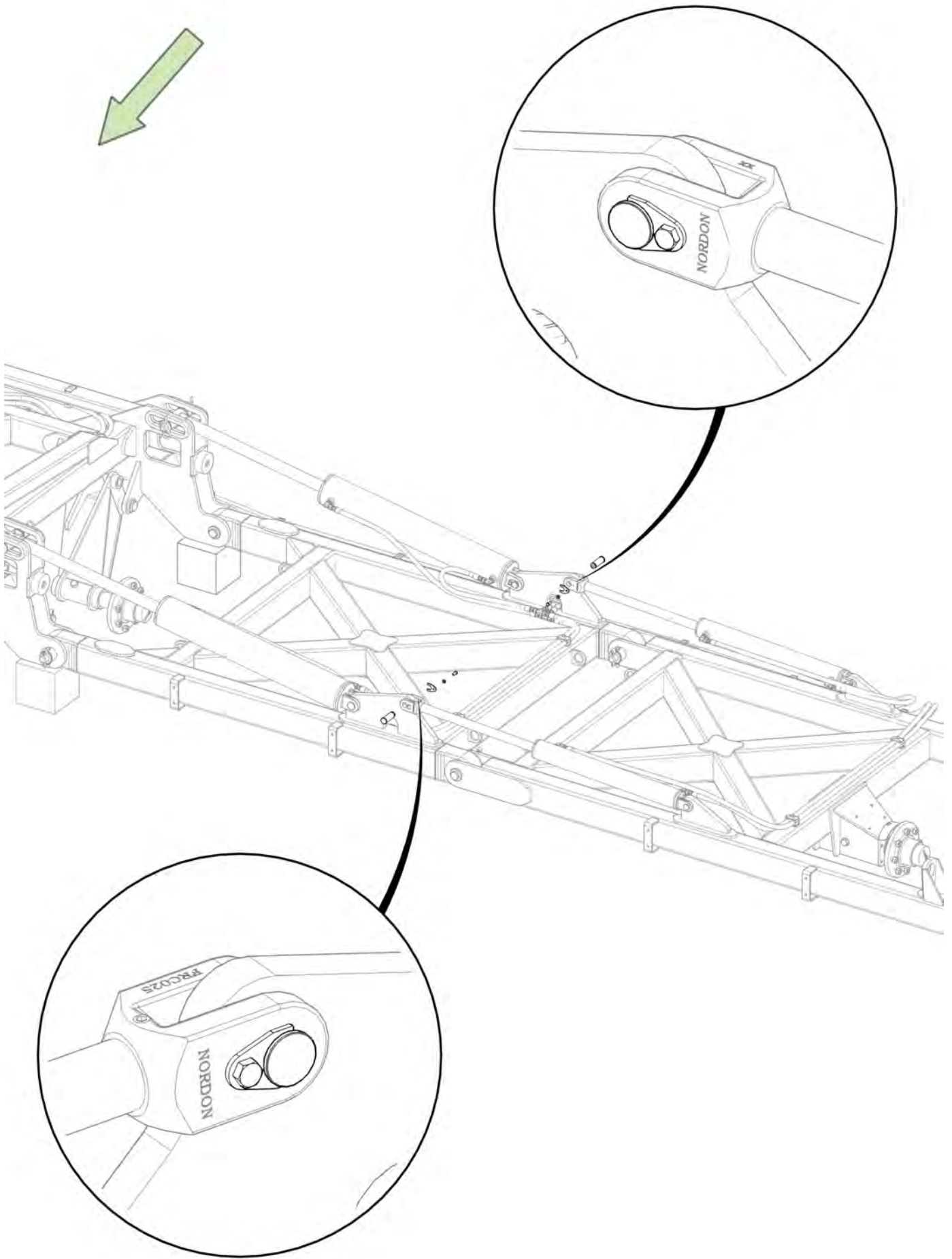


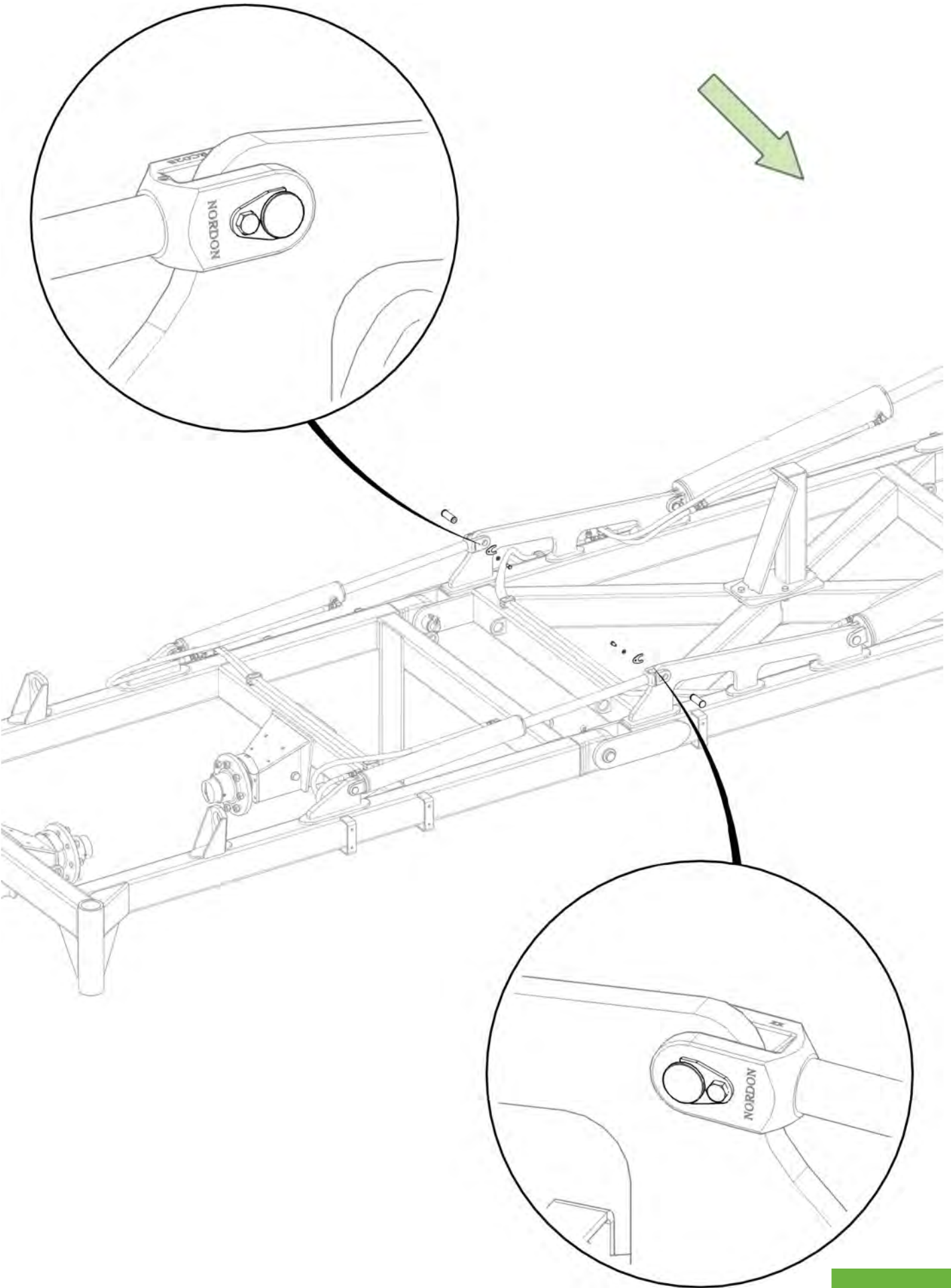
Cylinders Cycled to expel air from system

Signed _____ Date ____ / ____ / ____
 Unit Serial Number _____

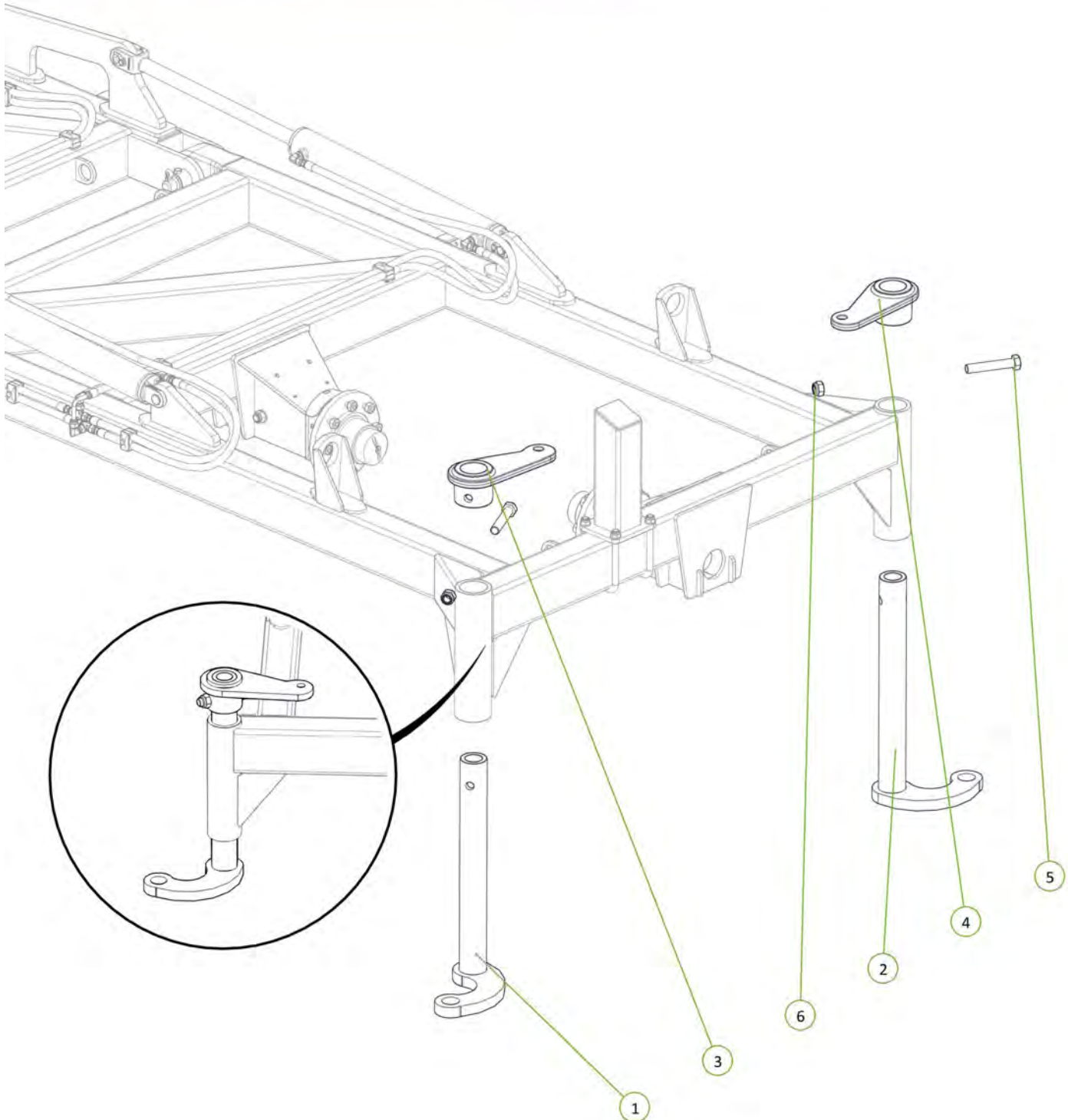
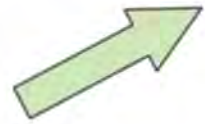
| Item No. | Description | Number | Qty |
|----------|--------------------------------|---------|-----|
| 1 | Long Cylinder Pin Bearing Bush | 1201-19 | 8 |



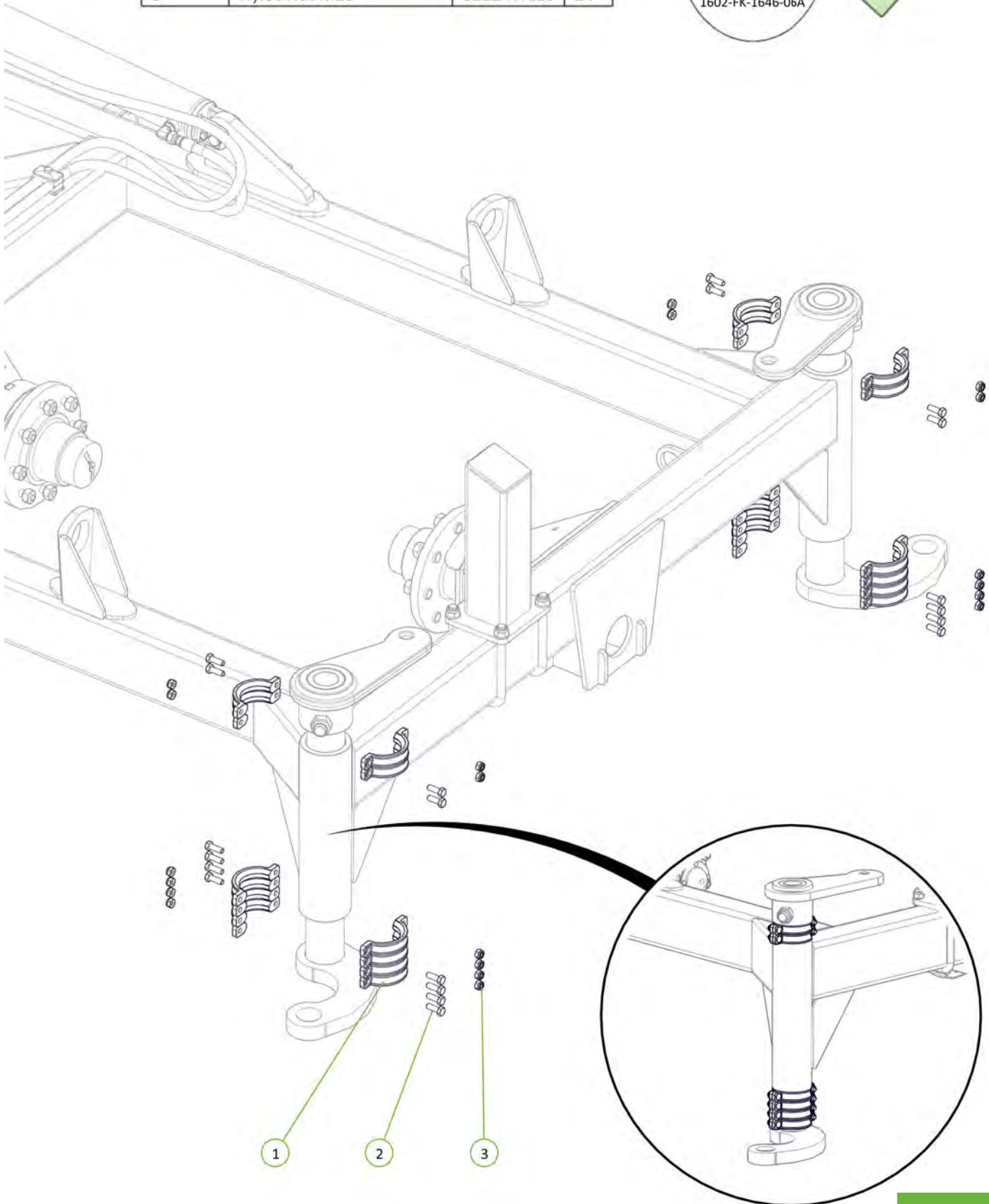




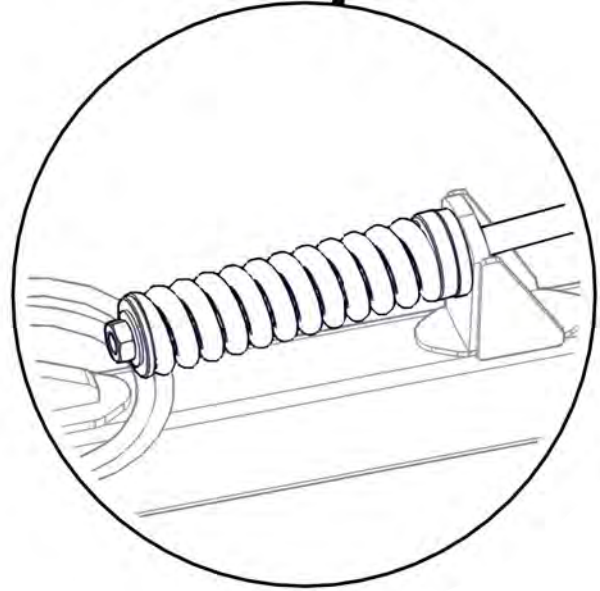
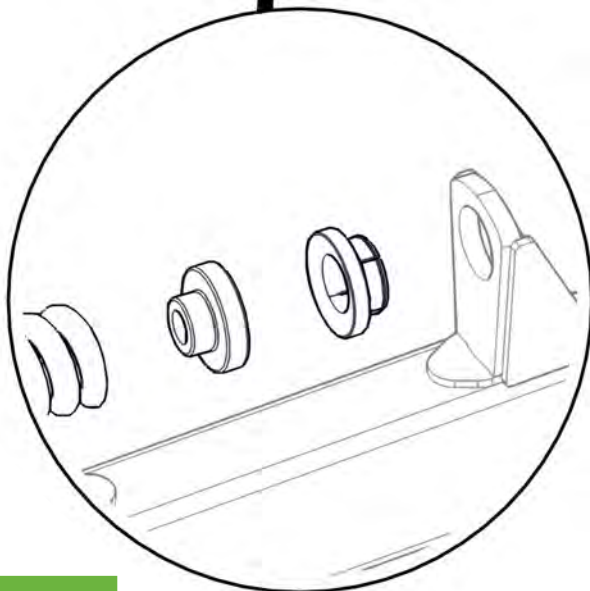
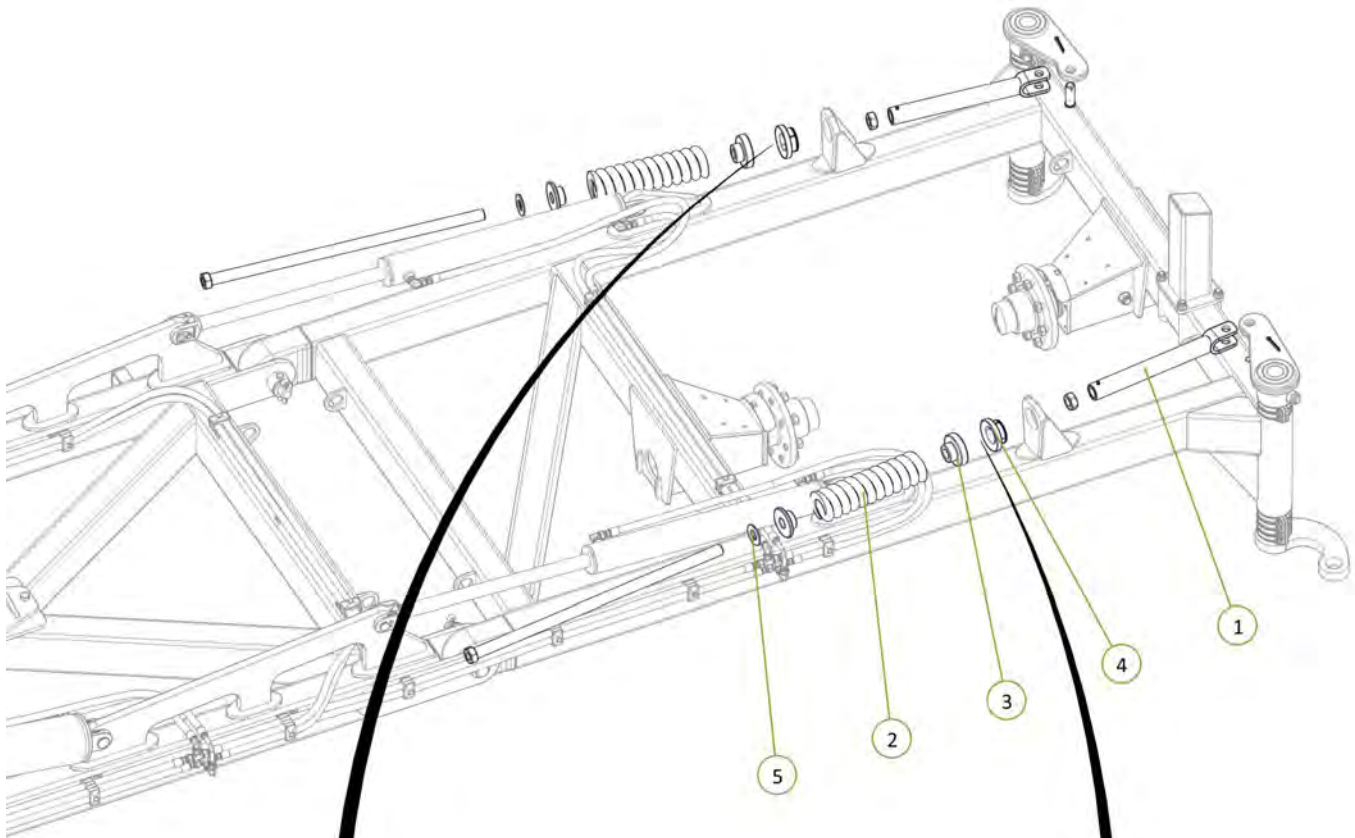
| Item No. | Description | Number | Qty |
|----------|------------------------------------|------------|-----|
| 1 | Super Single LH Drop Leg No Clevis | 0810-24SF | 1 |
| 2 | Super Single RH Drop Leg No Clevis | 0810-25SF | 1 |
| 3 | LH Chain Adjusting Lug | 0810-26 | 1 |
| 4 | RH Chain Adjusting Lug | 0810-27 | 1 |
| 5 | M24 x 140 grade 8.8 zp Bolt | 0211-24140 | 2 |
| 6 | Nyloc Nut M24 | 0221-NYL24 | 2 |



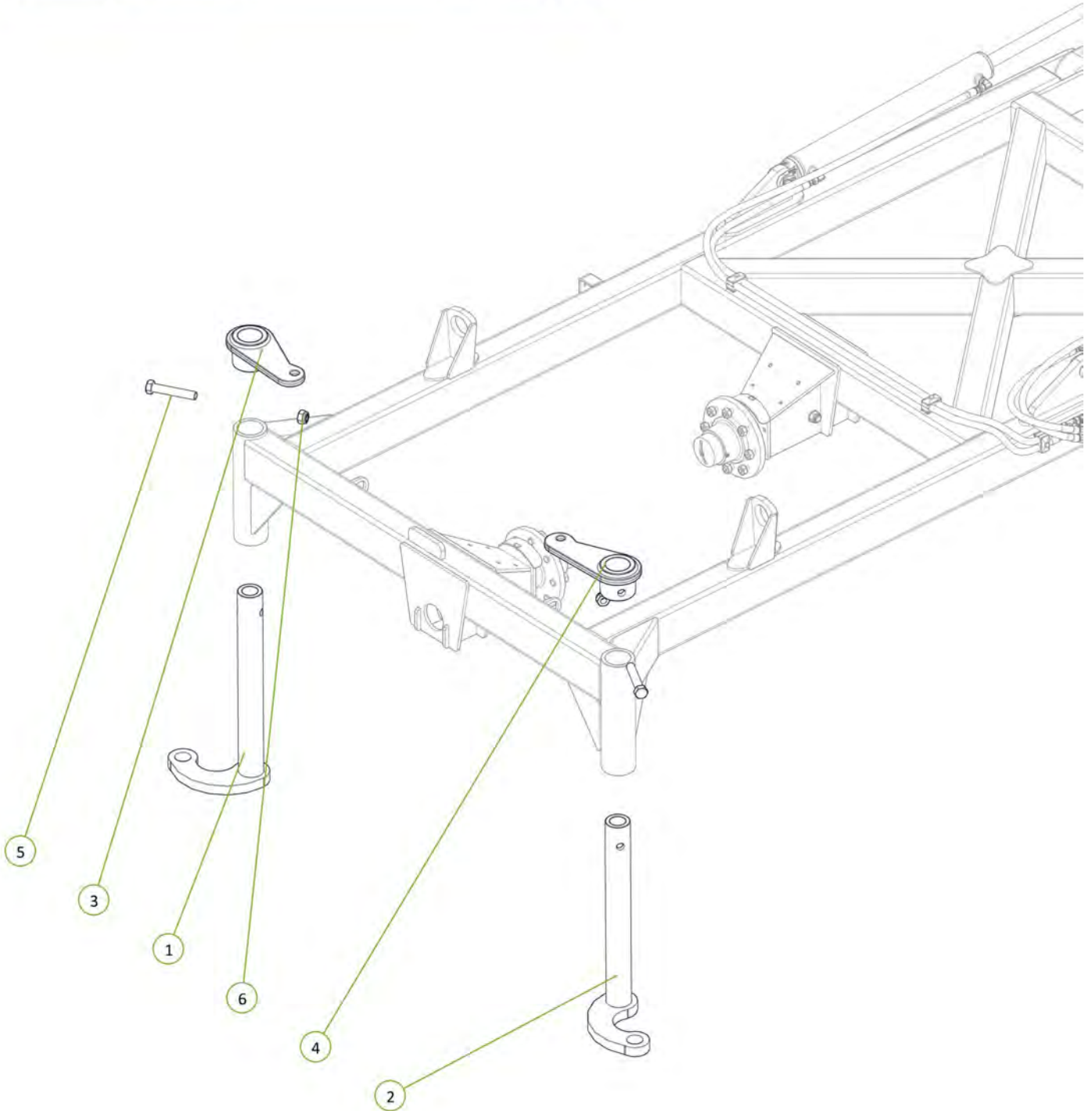
| Item No. | Description | Number | Qty |
|----------|----------------------------|------------|-----|
| 1 | Cast 25mm Spacing | 0801-CS25 | 24 |
| 2 | M10 x 30 grade 8.8 ZP Bolt | 0211-1030 | 24 |
| 3 | Nyloc Nut M10 | 0221-NYL10 | 24 |



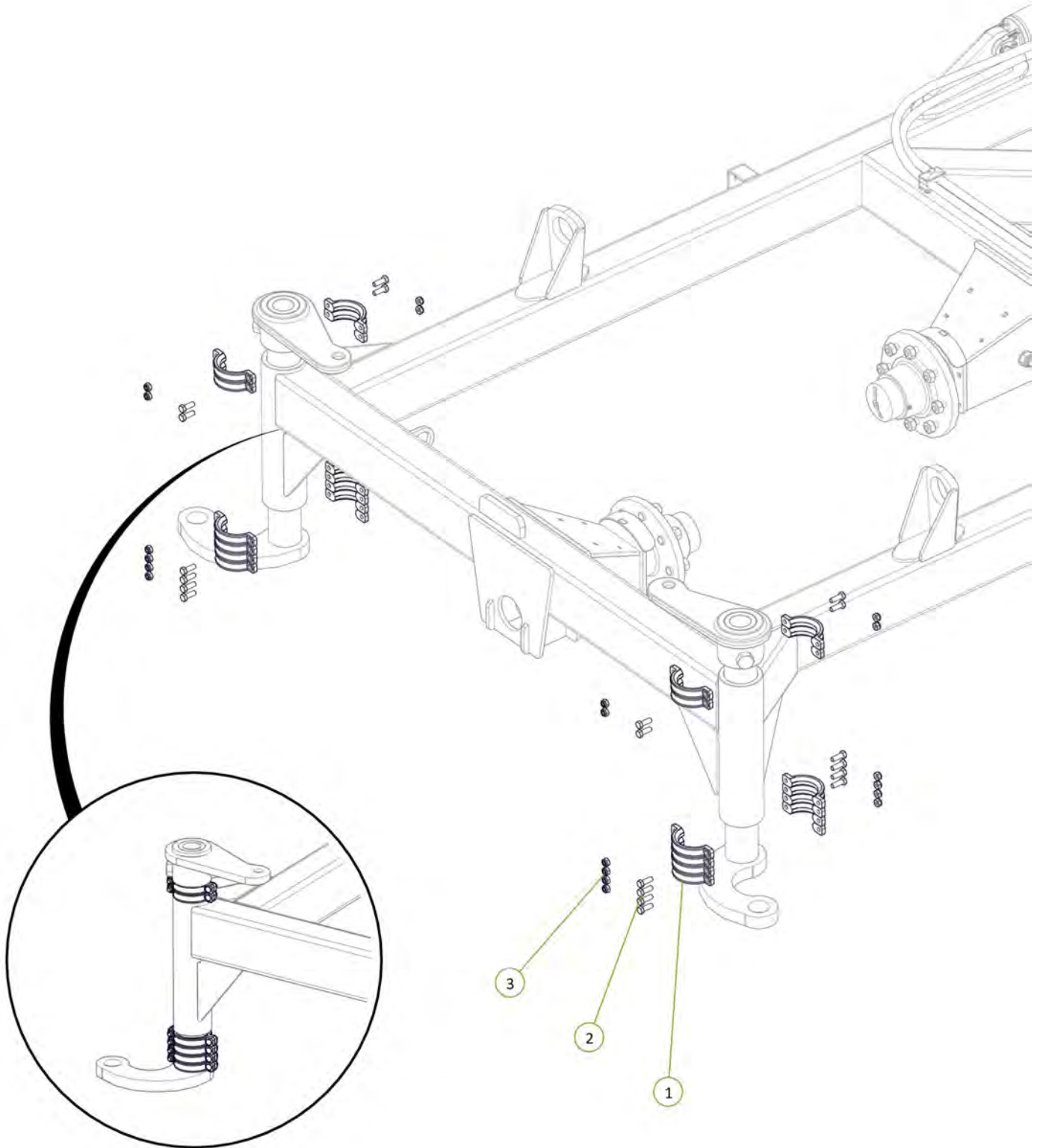
| Item No. | Description | Number | Qty |
|----------|-----------------------------|---------------|-----|
| 1 | Chain Tension Adjustor | 0802-PCHTA | 2 |
| 2 | Heavy Duty Coil Spring 24mm | 0801-K2455350 | 2 |
| 3 | Tensioner Cup - Male | 0801-KE0805-3 | 2 |
| 4 | Female Spring Locator | 0801-KE0805-4 | 2 |
| 5 | Washer High Tensile 1 1/4" | 0232-HT11-4 | 2 |



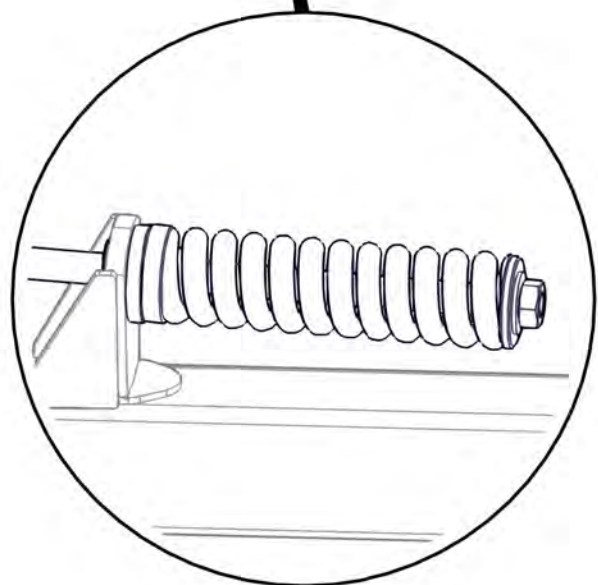
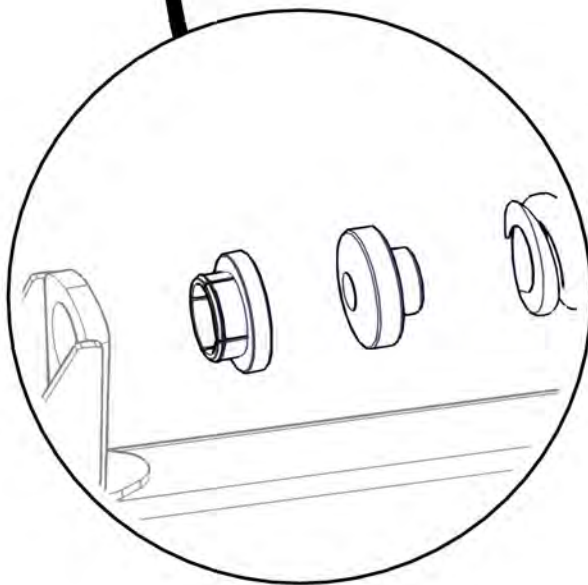
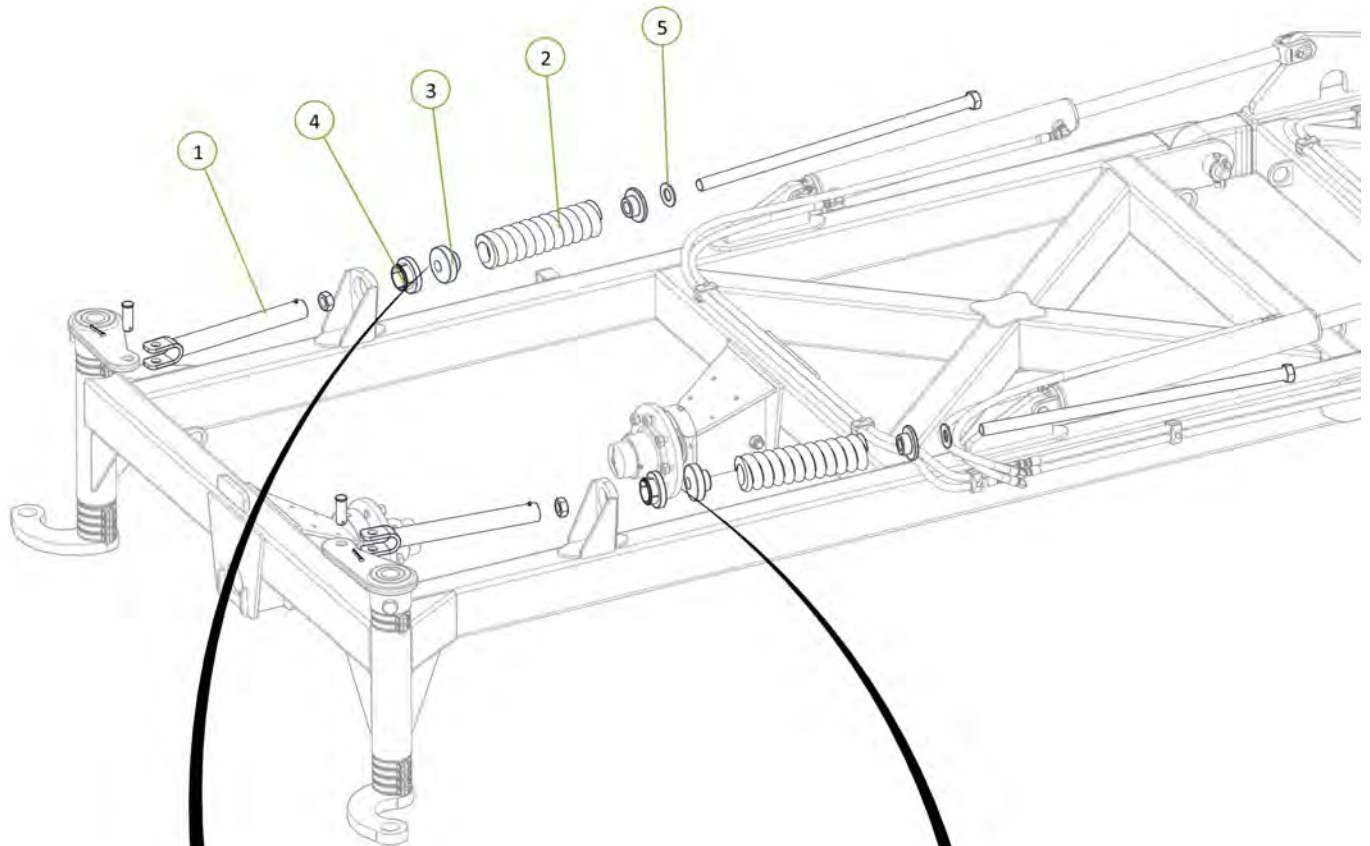
| Item No. | Description | Number | Qty |
|----------|------------------------------------|------------|-----|
| 1 | Super Single LH Drop Leg No Clevis | 0810-24SF | 1 |
| 2 | Super Single RH Drop Leg No Clevis | 0810-25SF | 1 |
| 3 | LH Chain Adjusting Lug | 0810-26 | 1 |
| 4 | RH Chain Adjusting Lug | 0810-27 | 1 |
| 5 | M24 x 140 grade 8.8 zp Bolt | 0211-24140 | 2 |
| 6 | Nyloc Nut M24 | 0221-NYL24 | 2 |



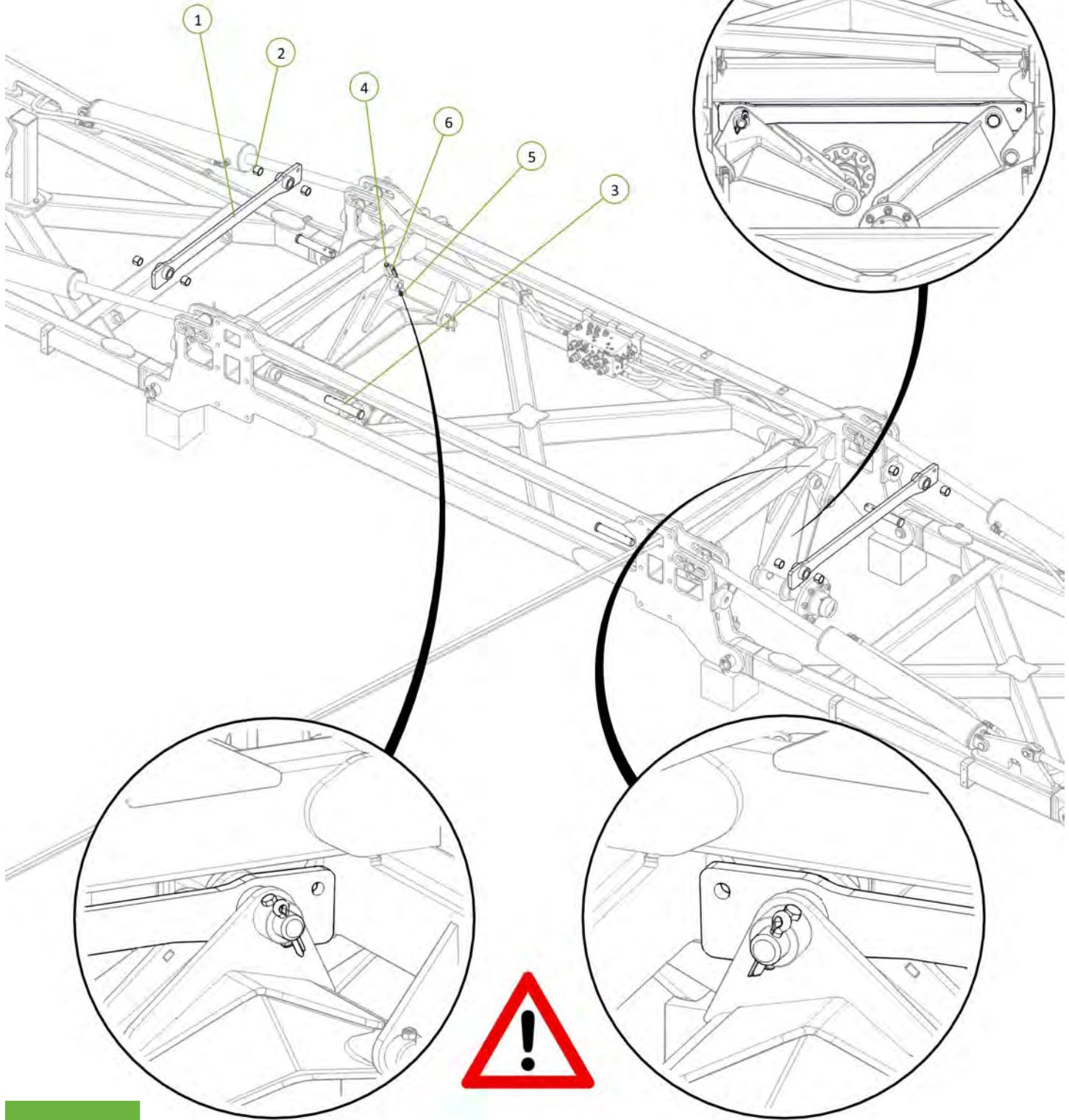
| Item No. | Description | Number | Qty |
|----------|----------------------------|------------|-----|
| 1 | Cast 25mm Spacing | 0801-CS25 | 24 |
| 2 | M10 x 30 grade 8.8 ZP Bolt | 0211-1030 | 24 |
| 3 | Nyloc Nut M10 | 0221-NYL10 | 24 |



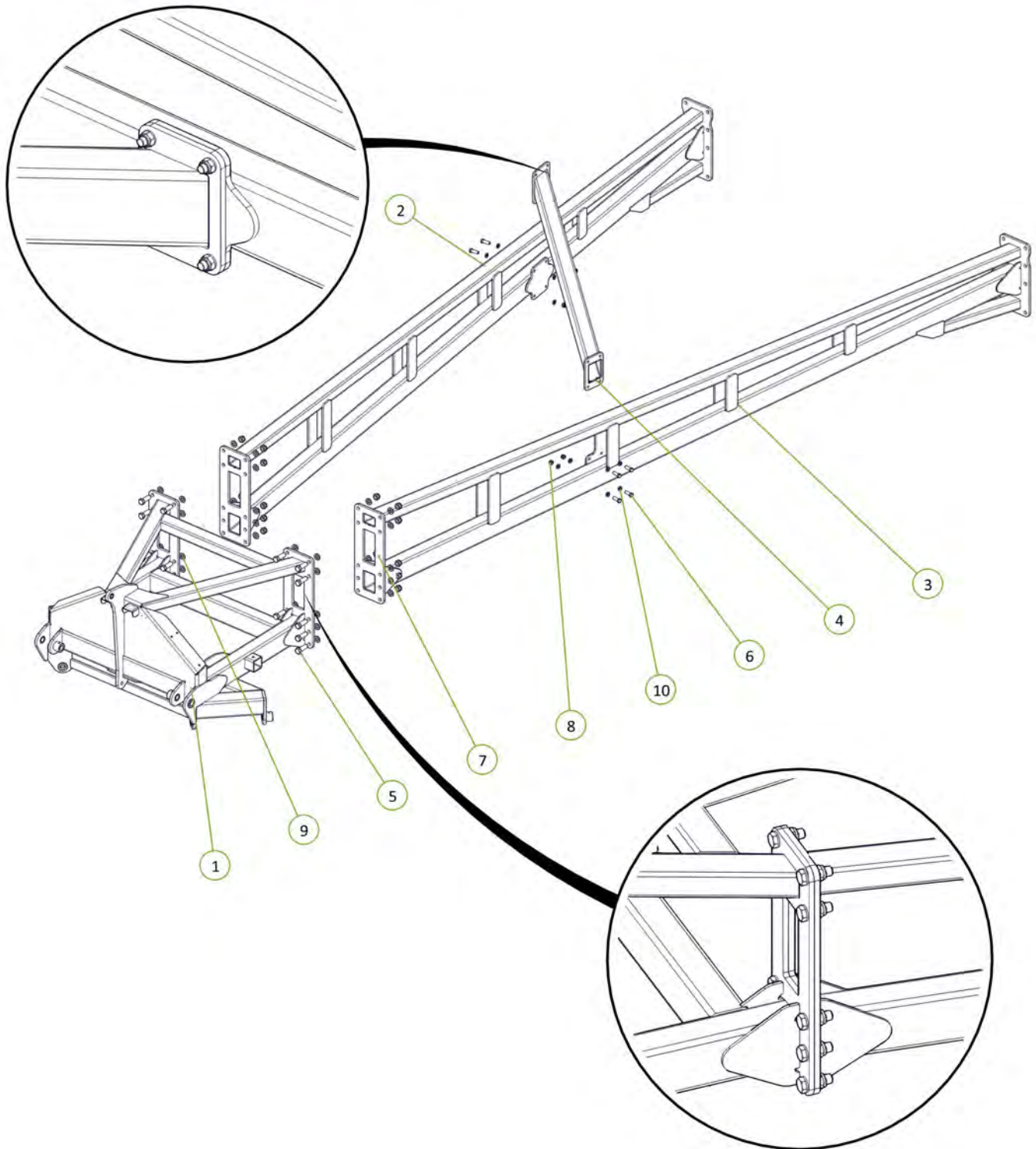
| Item No. | Description | Number | Qty |
|----------|-----------------------------|---------------|-----|
| 1 | Chain Tension Adjustor | 0802-PCHTA | 2 |
| 2 | Heavy Duty Coil Spring 24mm | 0801-K2455350 | 2 |
| 3 | Tensioner Cup - Male | 0801-KE0805-3 | 2 |
| 4 | Female Spring Locator | 0801-KE0805-4 | 2 |
| 5 | Washer High Tensile 1 1/4" | 0232-HT11-4 | 2 |



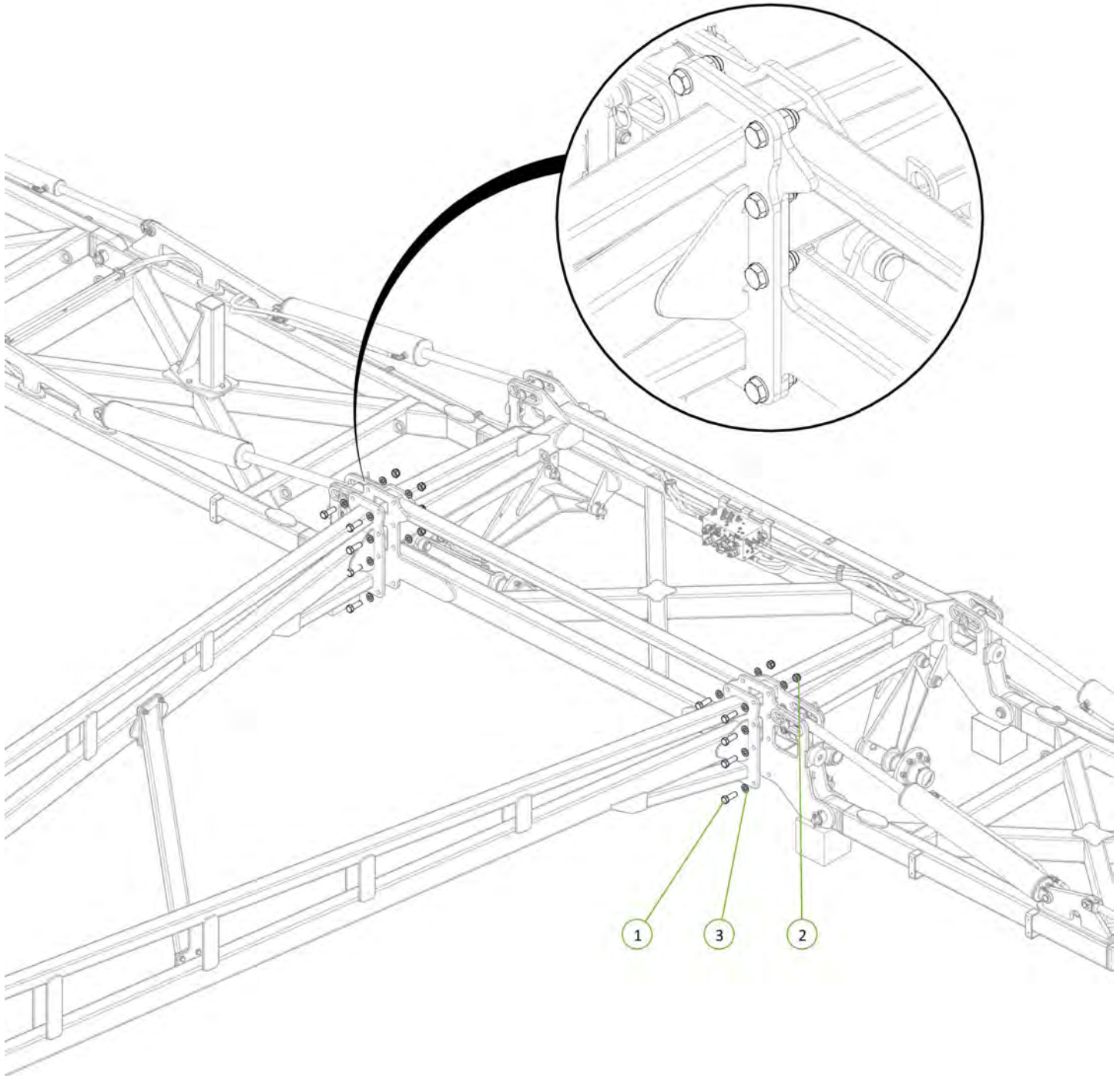
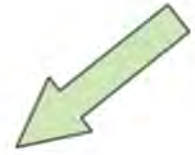
| Item No. | Description | Number | Qty |
|----------|--------------------------------|---------------|-----|
| 1 | Walking Axle Linkage | 1610-33 | 2 |
| 2 | 1-1/2 ID x 1-1/4mm DU Bush | 0113-24DU20 | 8 |
| 3 | Walking Axle Linkage Pivot Pin | 1601-P38-220 | 4 |
| 4 | M12 x 90 Class 10.9 ZP Bolt | 0211-1290HT | 4 |
| 5 | Nyloc Nut M12 | 0221-NYL12 | 4 |
| 6 | Cotter Pin M13 x 63 | 0261-PINC1363 | 4 |



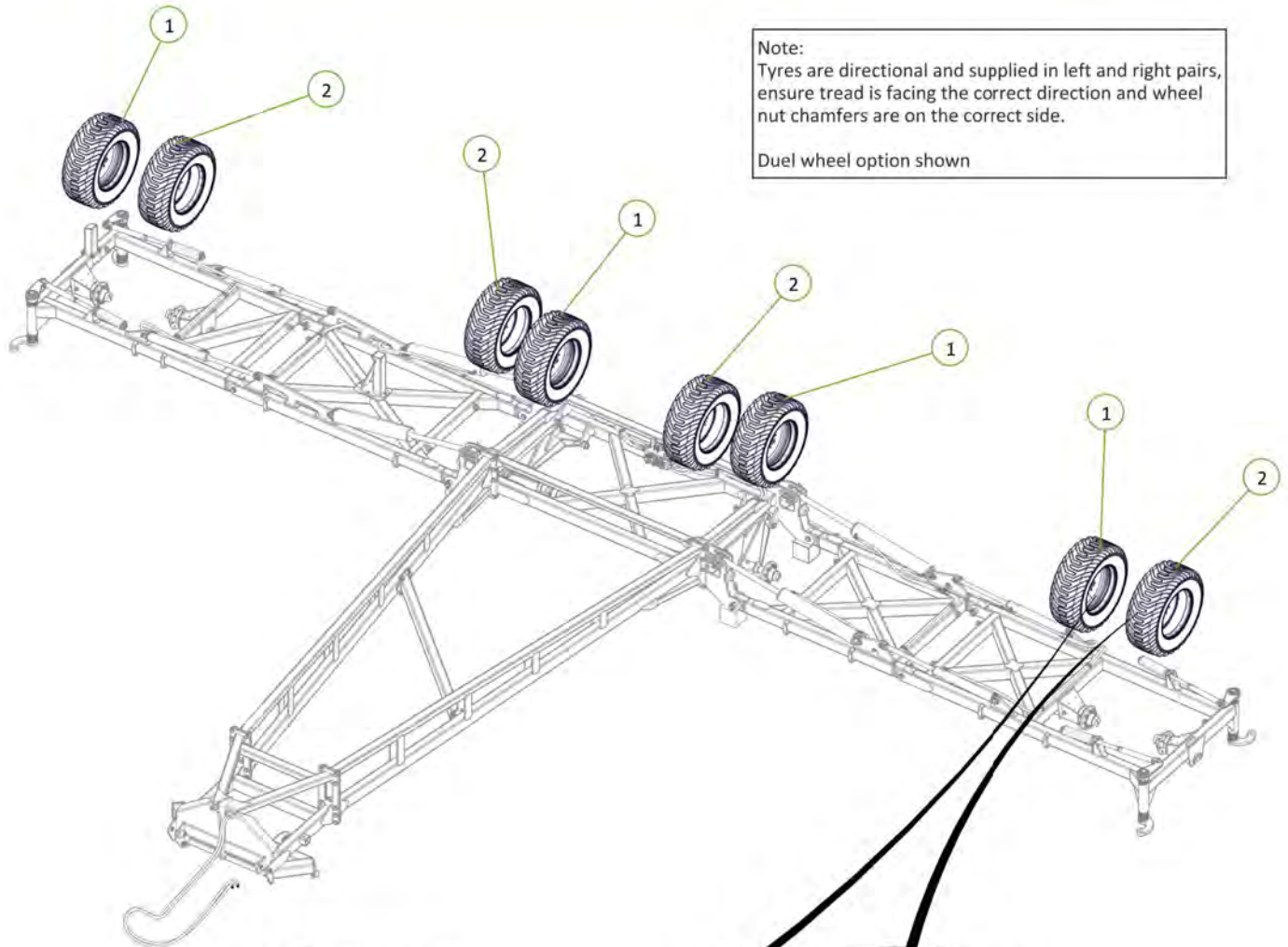
| Item No. | Description | Number | Qty |
|----------|-------------------------------|------------|-----|
| 1 | 46' Main Pull - Nose | 1646-02-01 | 1 |
| 2 | 46' Main Pull Right Hand Side | 1646-02-02 | 1 |
| 3 | 46' Main Pull Left Hand Side | 1646-02-03 | 1 |
| 4 | 46' Main Pull Brace | 1646-02-04 | 1 |
| 5 | M24 x 75 grade 8.8 zp Bolt | 0211-2475 | 20 |
| 6 | M16 x 50 grade 8.8 zp Bolt | 0211-1650 | 8 |
| 7 | Nyloc Nut M24 | 0221-NYL24 | 20 |
| 8 | Nyloc Nut M16 | 0221-NYL16 | 8 |
| 9 | Washer Flat M24 | 0231-F24 | 40 |
| 10 | Washer Flat M16 | 0231-F16 | 16 |



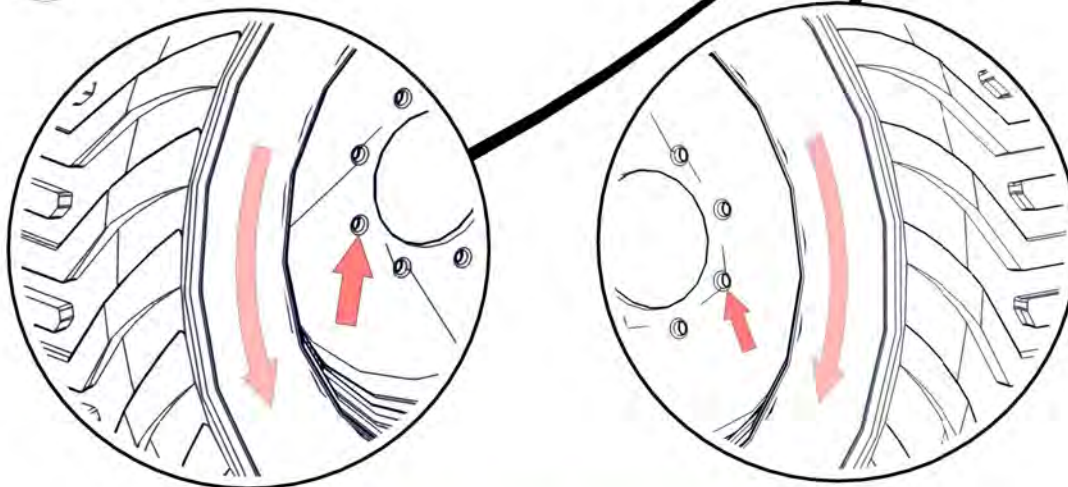
| Item No. | Description | Number | Qty |
|----------|----------------------------|------------|-----|
| 1 | M24 x 75 Class 8.8 ZP Bolt | 0211-2475 | 16 |
| 2 | Nyloc Nut M24 | 0221-NYL24 | 16 |
| 3 | Washer Flat M24 | 0231-F24 | 32 |



| Item No. | Description | Number | Qty |
|----------|--|----------------------|-----|
| 1 | 400/55-22.5 Tyre on 8 on 8" PCD Rim (Right Hand) | 0751-400-55-22.5TR-R | 4 |
| 2 | 400/55-22.5 Tyre on 8 on 8" PCD Rim (Left Hand) | 0751-400-55-22.5TR-L | 4 |



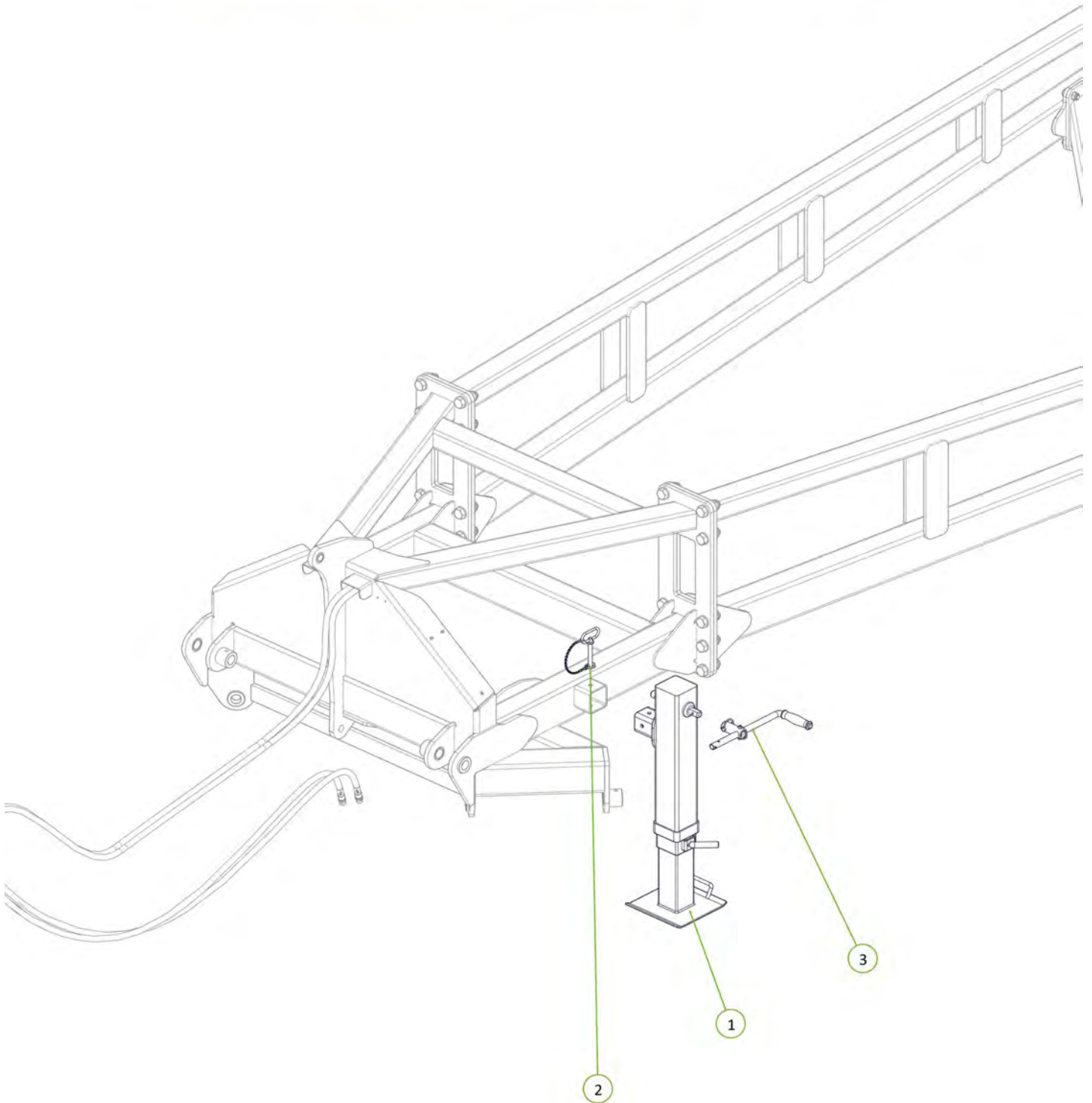
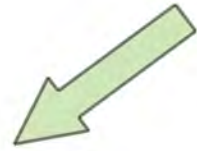
Note:
 Tyres are directional and supplied in left and right pairs, ensure tread is facing the correct direction and wheel nut chamfers are on the correct side.
 Dual wheel option shown



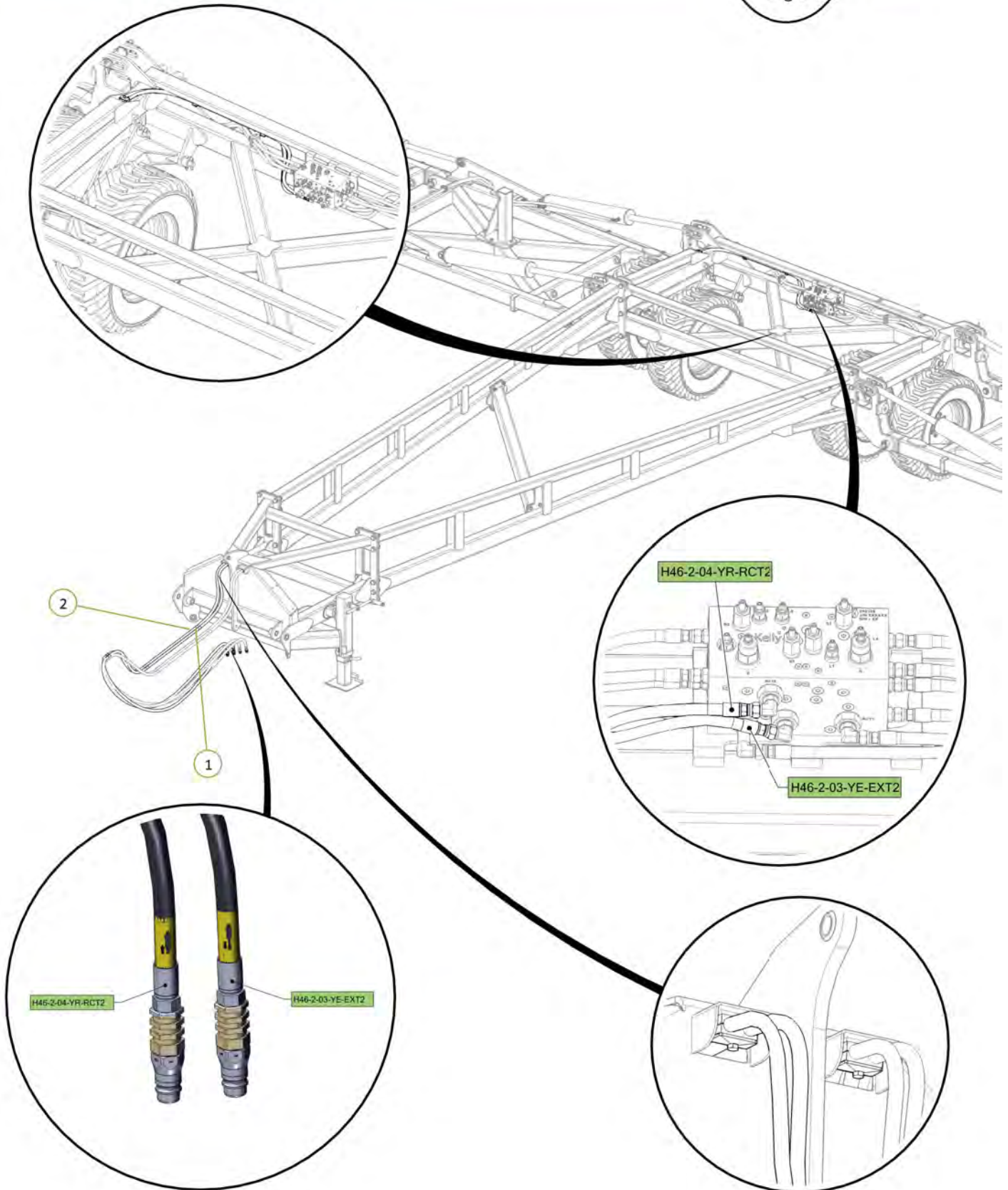
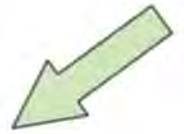
All wheel nuts tightened to 100ft-lb / 140Nm 

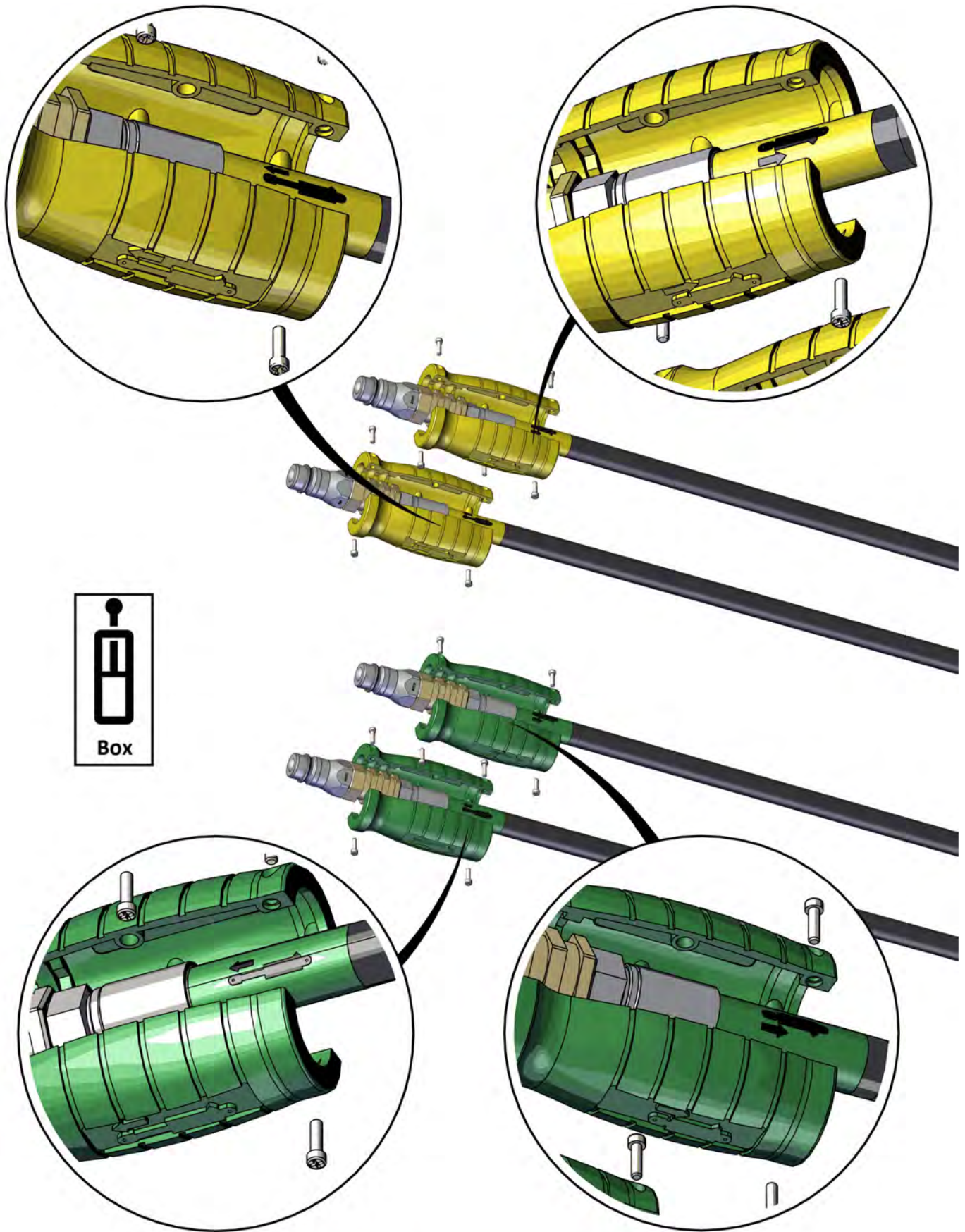
Signed _____ Date ____/____/____
 Unit Serial Number _____

| Item No. | Description | Number | Qty |
|----------|------------------------------|---------------|-----|
| 1 | Heavy Duty Jack | 0801-SAK45B-1 | 1 |
| 2 | Jack Pin | 0801-B3077 | 1 |
| 3 | Jack Handle Assembly 4 Tonne | 0801-622110HA | 1 |



| Item No. | Description | Number | Qty |
|----------|--|------------------|-----|
| 1 | Tractor to Sequence Valve EXT2 Port Fitted With Yellow EXT Decal | H46-2-03-YE-EXT2 | 1 |
| 2 | Tractor to Sequence Valve RTC2 Port Fitted With Yellow RTC Decal | H46-2-04-YR-RCT2 | 1 |



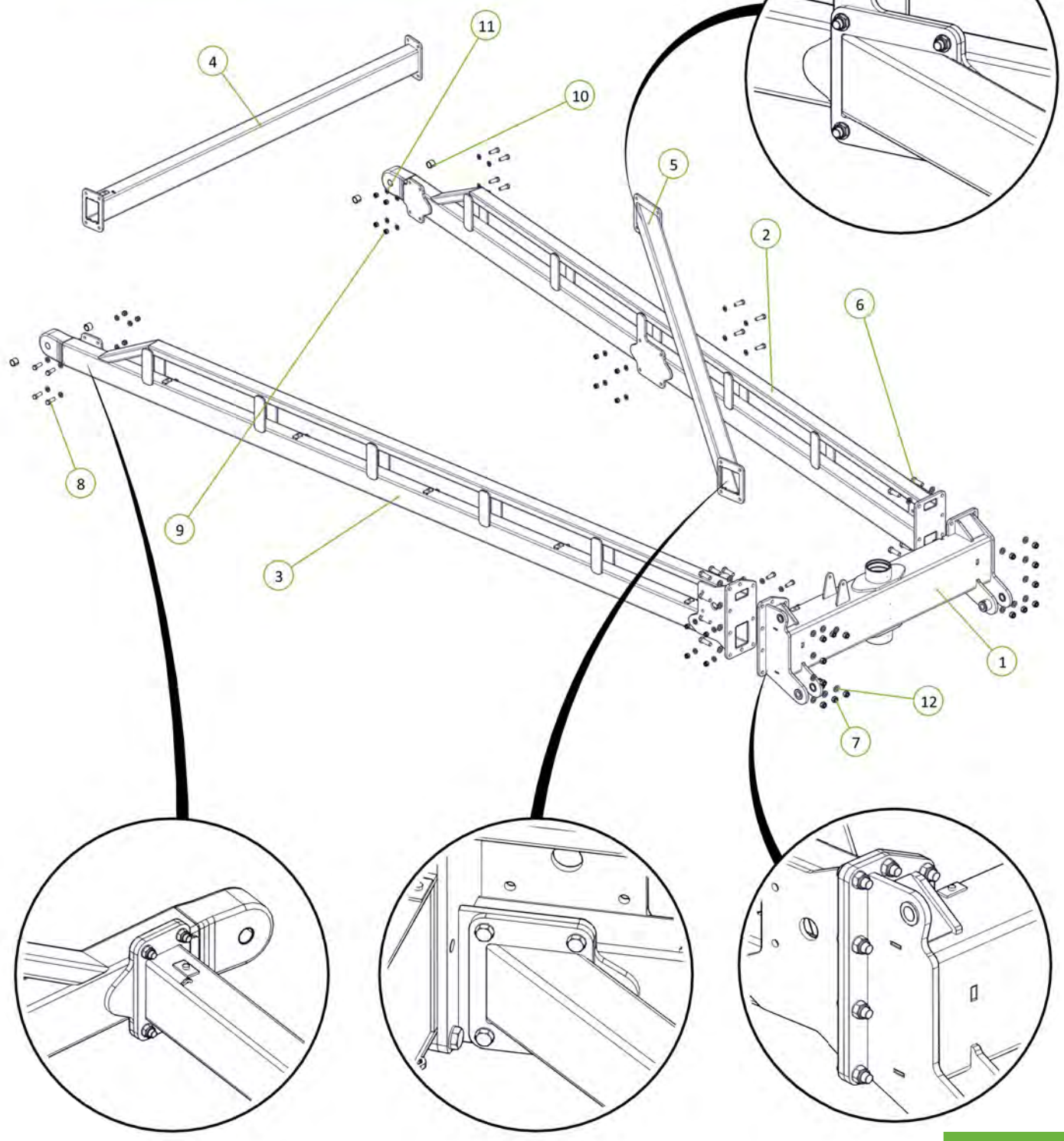


Hose grip handles fitted as per stickers on hoses

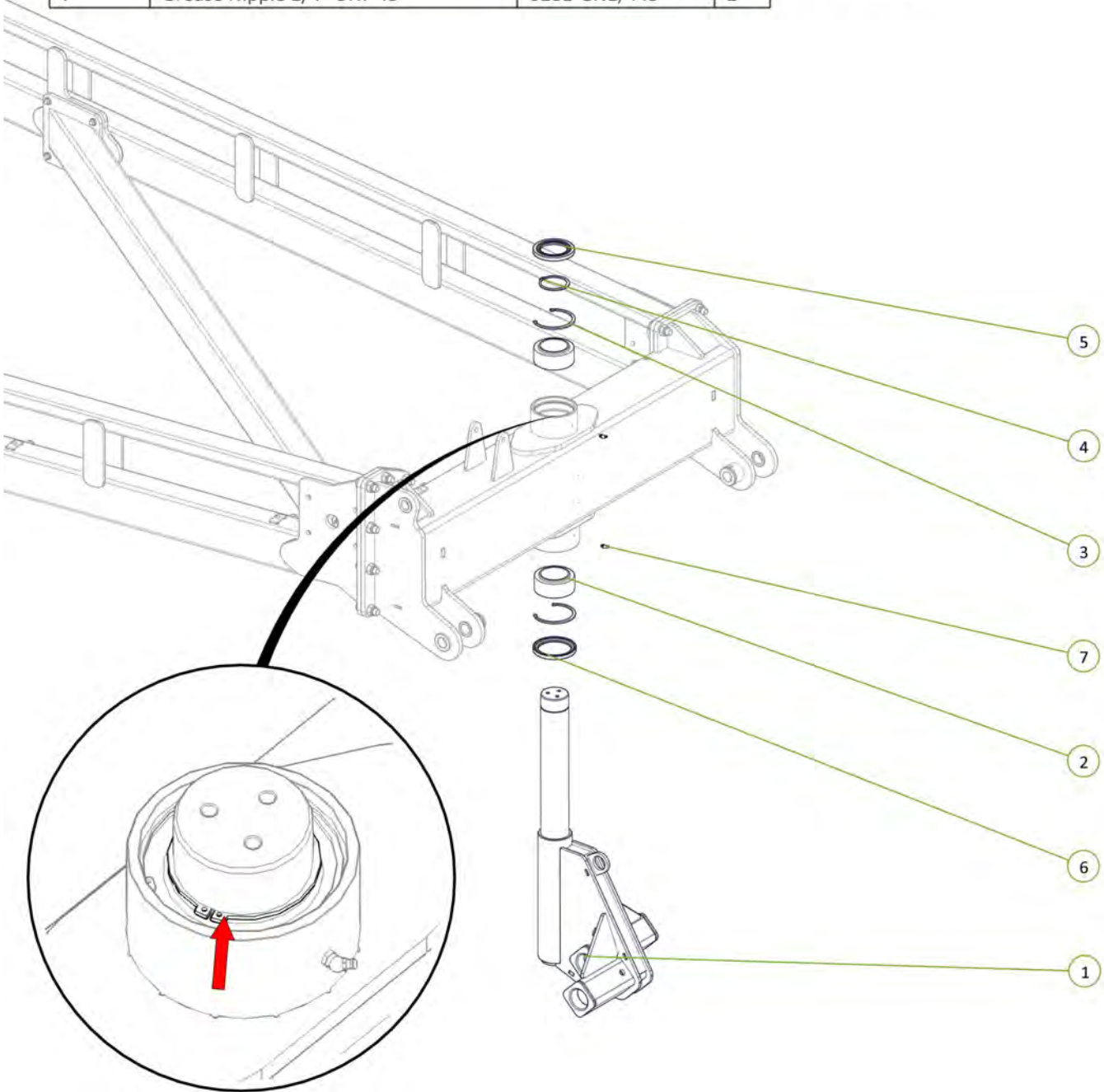


Signed _____ Date ___ / ___ / ___
 Unit Serial Number _____

| Item No. | Description | Number | Qty |
|----------|----------------------------------|---------------|-----|
| 1 | 46' Rear A-Frame | 1646-03-11 | 1 |
| 2 | 46' Rear A-Frame Right Hand Side | 1646-03-12 | 1 |
| 3 | 46' Rear A-Frame Left Hand Side | 1646-03-13 | 1 |
| 4 | 46' Rear A-Frame Front Brace | 1646-03-14 | 1 |
| 5 | 46' Rear A-Frame Cross Brace | 1646-03-15 | 1 |
| 6 | M20 x 65 grade 8.8 ZP Bolt | 0211-2065 | 15 |
| 7 | Nyloc Nut M20 | 0221-NYL20 | 15 |
| 8 | M16 x 50 grade 8.8 zp Bolt | 0211-1650 | 16 |
| 9 | Nyloc Nut M16 | 0221-NYL16 | 16 |
| 10 | 0113-MB3530DU-10 | 0113-MB3530DU | 4 |
| 11 | Washer Flat M16 | 0231-F16 | 32 |
| 12 | Washer Flat M20 | 0231-F20 | 30 |



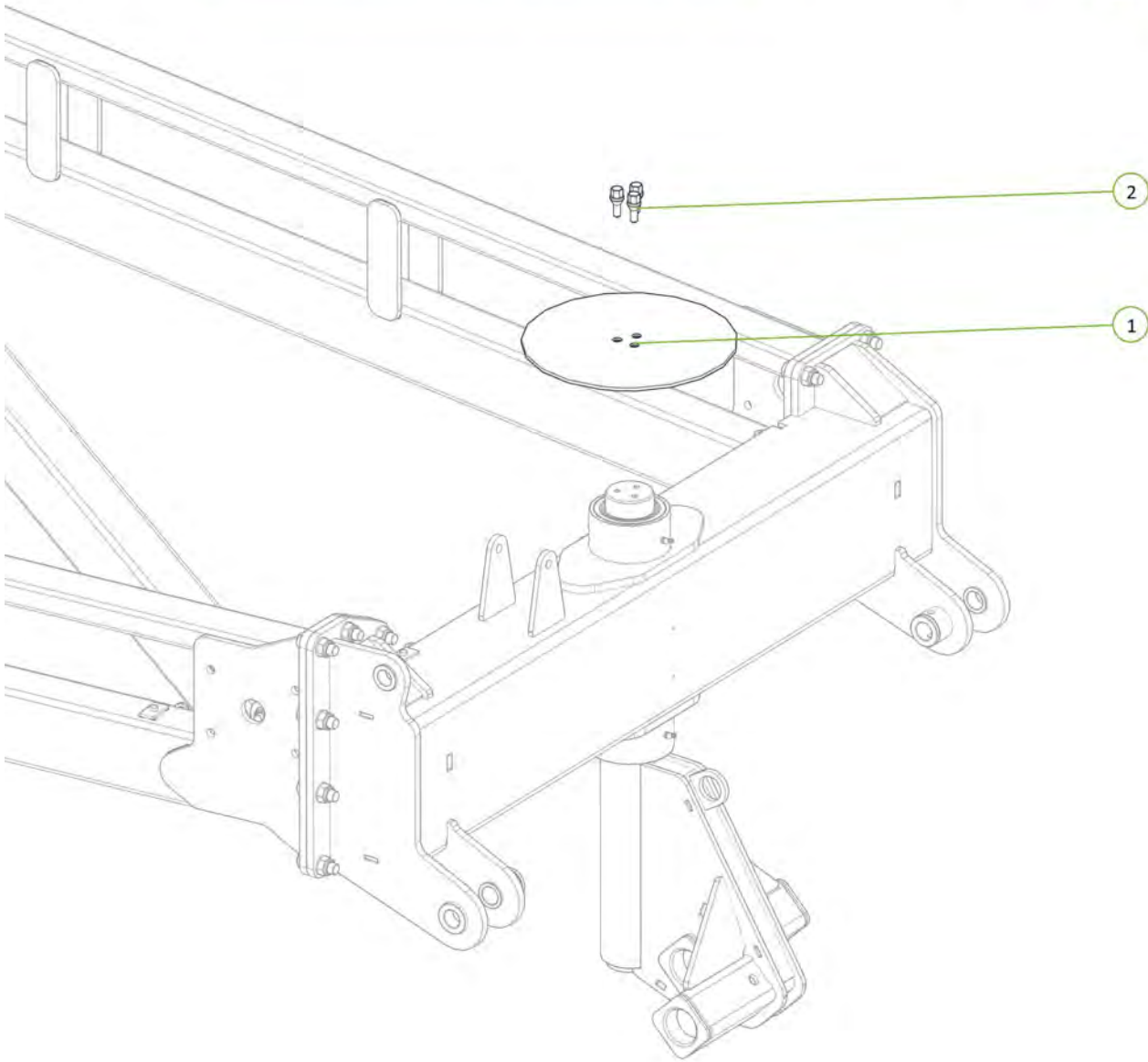
| Item No. | Description | Number | Qty |
|----------|------------------------------------|------------------|-----|
| 1 | Jockey Wheel 90mm Shaft 70mm Axles | 1610-13-90 | 1 |
| 2 | Plain Spherical Bearing 90mm | 0113-GE90DO-2RSP | 2 |
| 3 | Circlip Internal 130mm | 0171-J130 | 2 |
| 4 | Circlip External 90mm | 0172-D1400-90 | 1 |
| 5 | TC Seal 90mm x 135mm x 12mm | 0121-TC12906 | 1 |
| 6 | TC Seal 110mm x 140mm x 12mm | 0121-TC12700 | 1 |
| 7 | Grease Nipple 1/4" UNF 45° | 0181-GN1/445 | 2 |



Circlip fitted to jockey wheel shaft 

Signed _____ Date ___/___/___
 Unit Serial Number _____

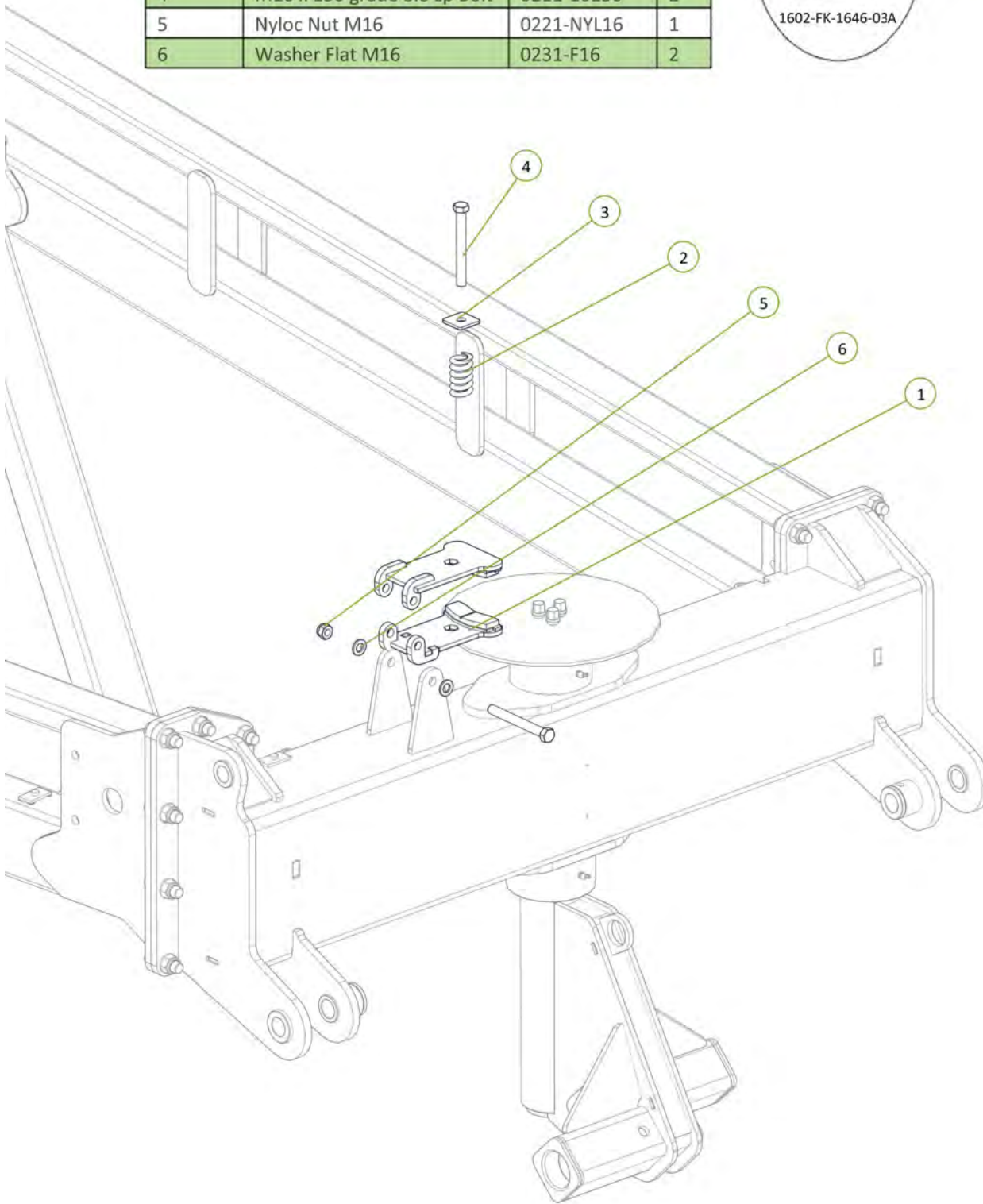
| Item No. | Description | Number | Qty |
|----------|---------------------|-------------|-----|
| 1 | Brake Disc | 1600-405 | 1 |
| 2 | M12 x 24 Wheel Bolt | 0216-WB1224 | 3 |




Wheel bolts torqued to 65ft-lb / 88Nm

Signed _____ Date ___/___/___
 Unit Serial Number _____

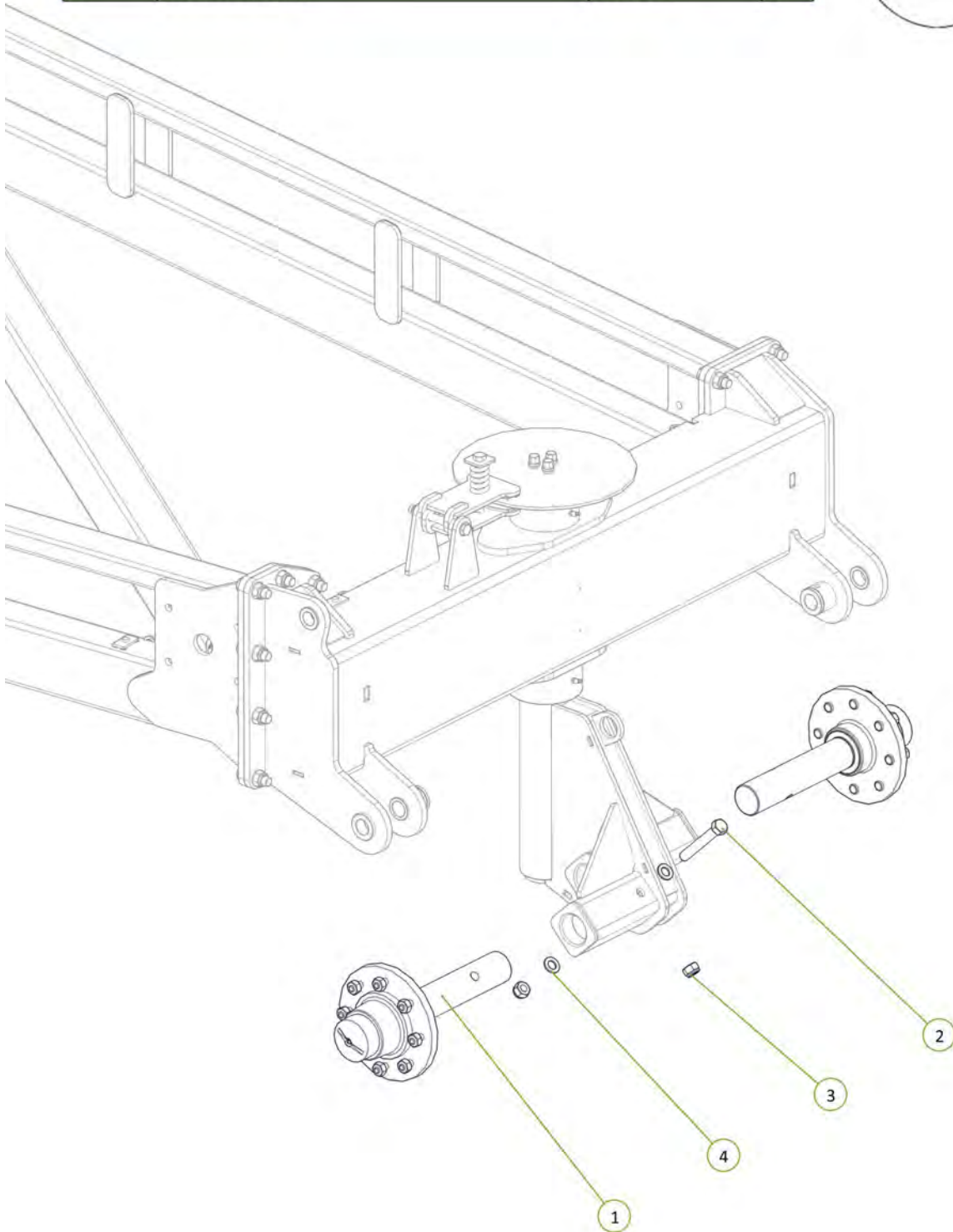
| Item No. | Description | Number | Qty |
|----------|-----------------------------|--------------|-----|
| 1 | Jockey Wheel Brake Caliper | 0810-12CAL | 1 |
| 2 | Brake Compression Spring | 0801-KE009 | 1 |
| 3 | Washer Square M16 x 50 x 5 | 0231-SQ16505 | 1 |
| 4 | M16 x 150 grade 8.8 zp Bolt | 0211-16150 | 2 |
| 5 | Nyloc Nut M16 | 0221-NYL16 | 1 |
| 6 | Washer Flat M16 | 0231-F16 | 2 |



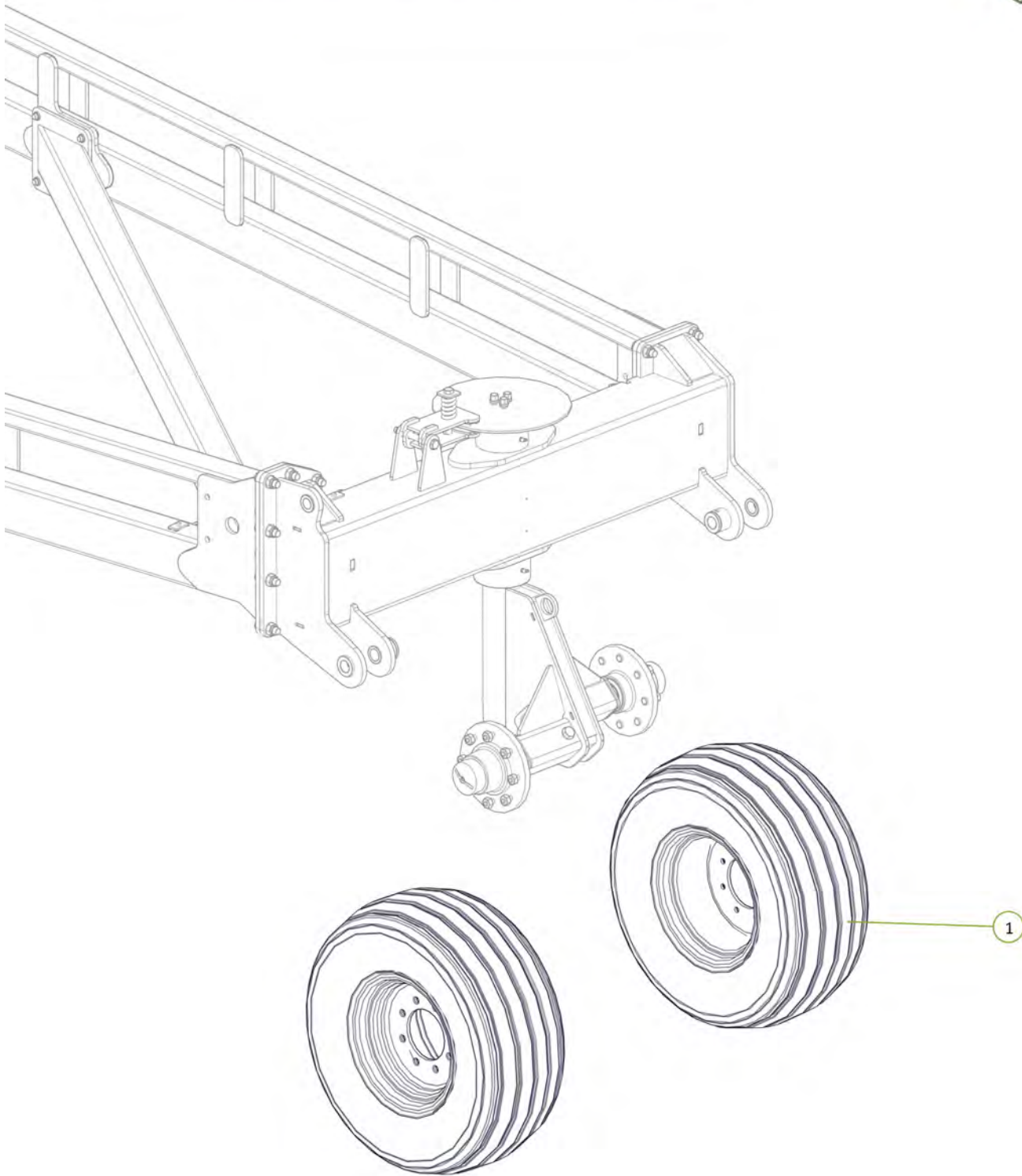
Check tension of brake caliper spring (50-63mm road transport) 

Signed _____ Date __/__/__
 Unit Serial Number _____

| Item No. | Description | Number | Qty |
|----------|--|-----------------|-----|
| 1 | 2.75"R 6 Tonne 8 on 8" PCD Hub & Stub Complete | 0733-SH27596880 | 2 |
| 2 | M20 x 140 grade 8.8 ZP Bolt | 0211-20140 | 2 |
| 3 | Nyloc Nut M20 | 0221-NYL20 | 2 |
| 4 | Washer Flat M20 | 0231-F20 | 4 |



| Item No. | Description | Number | Qty |
|----------|----------------------------------|-----------------|-----|
| 1 | 31/13.5-15 Tire and Rim Assembly | 0751-31-13.5-15 | 2 |

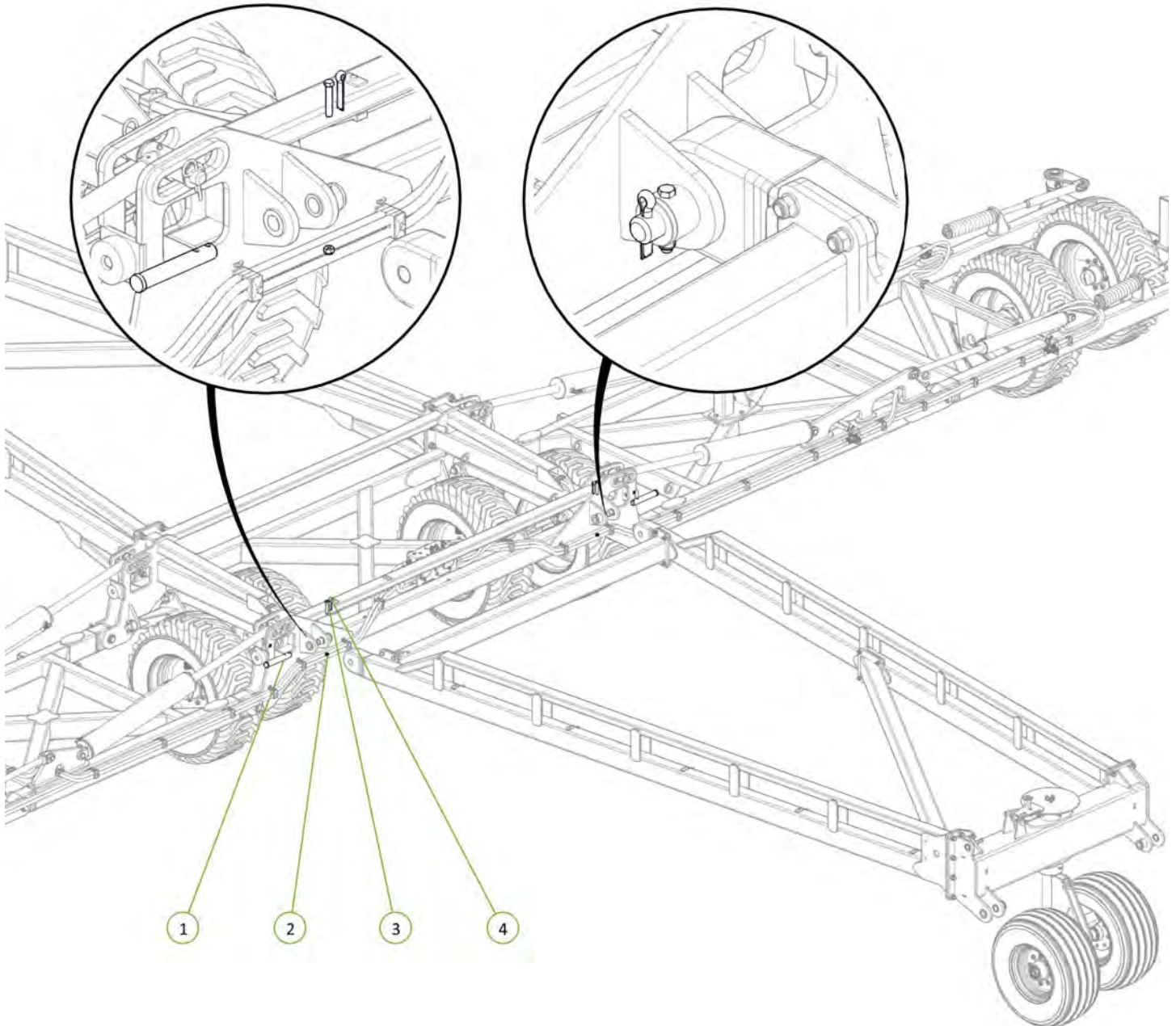


All wheel nuts tightened to 100ft-lb / 140Nm

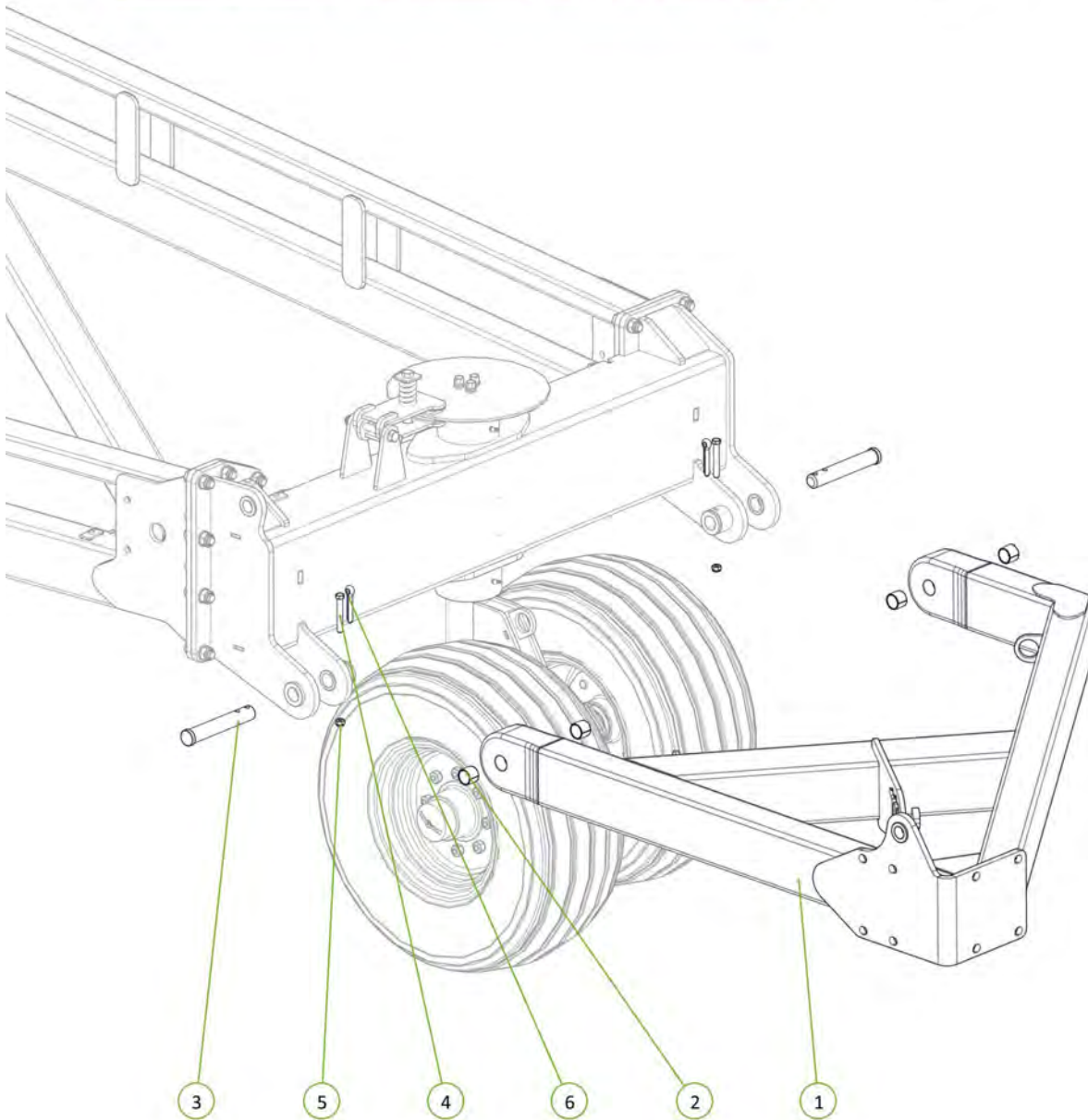


Signed _____ Date ___ / ___ / ___
 Unit Serial Number _____

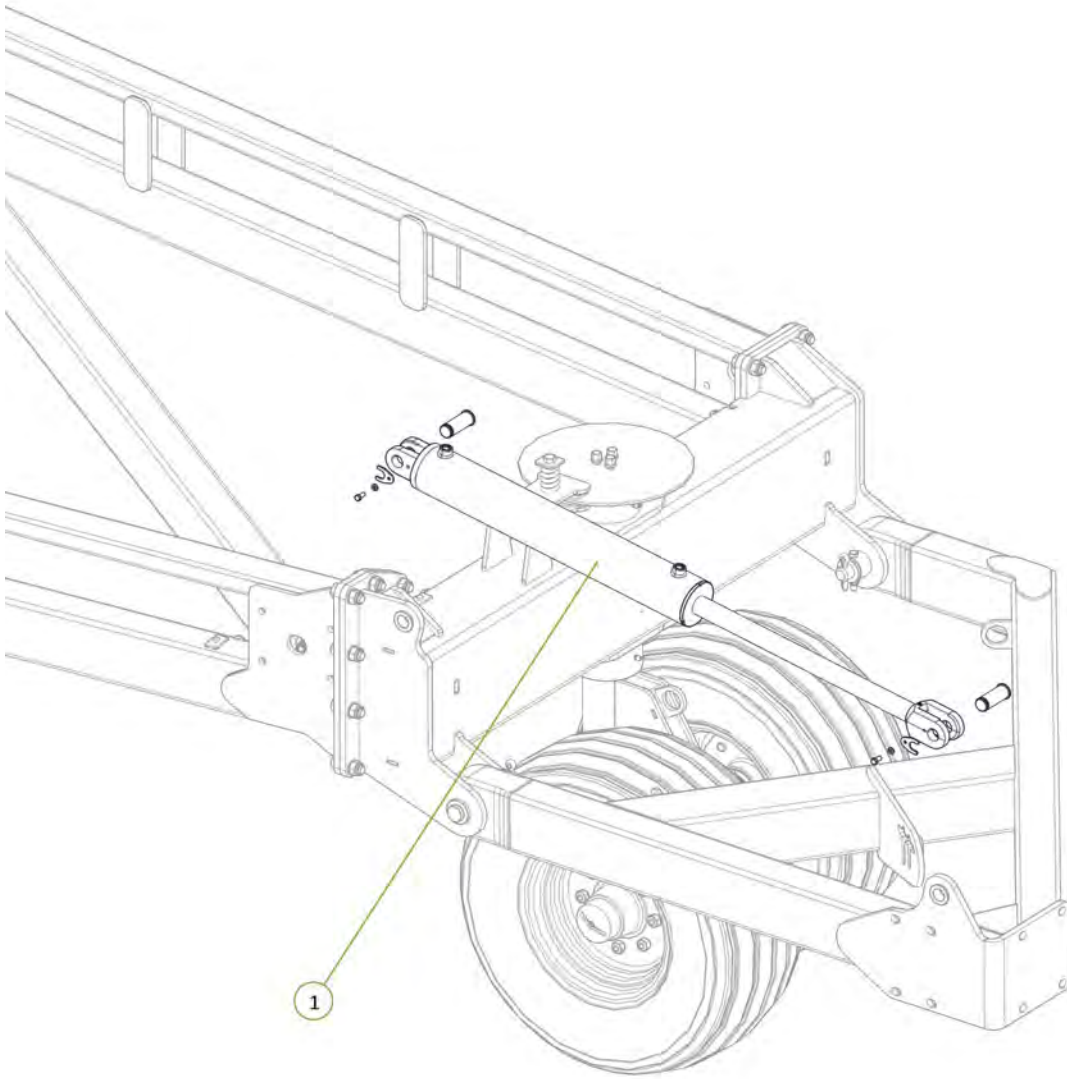
| Item No. | Description | Number | Qty |
|----------|-----------------------------|----------------|-----|
| 1 | PCH Wing Pivot Pin | 0801-10-08-235 | 2 |
| 2 | Nyloc Nut M12 | 0221-NYL12 | 2 |
| 3 | M12 x 90 Class 10.9 ZP Bolt | 0211-1290HT | 2 |
| 4 | Cotter Pin M13 x 63 | 0261-PINC1363 | 2 |



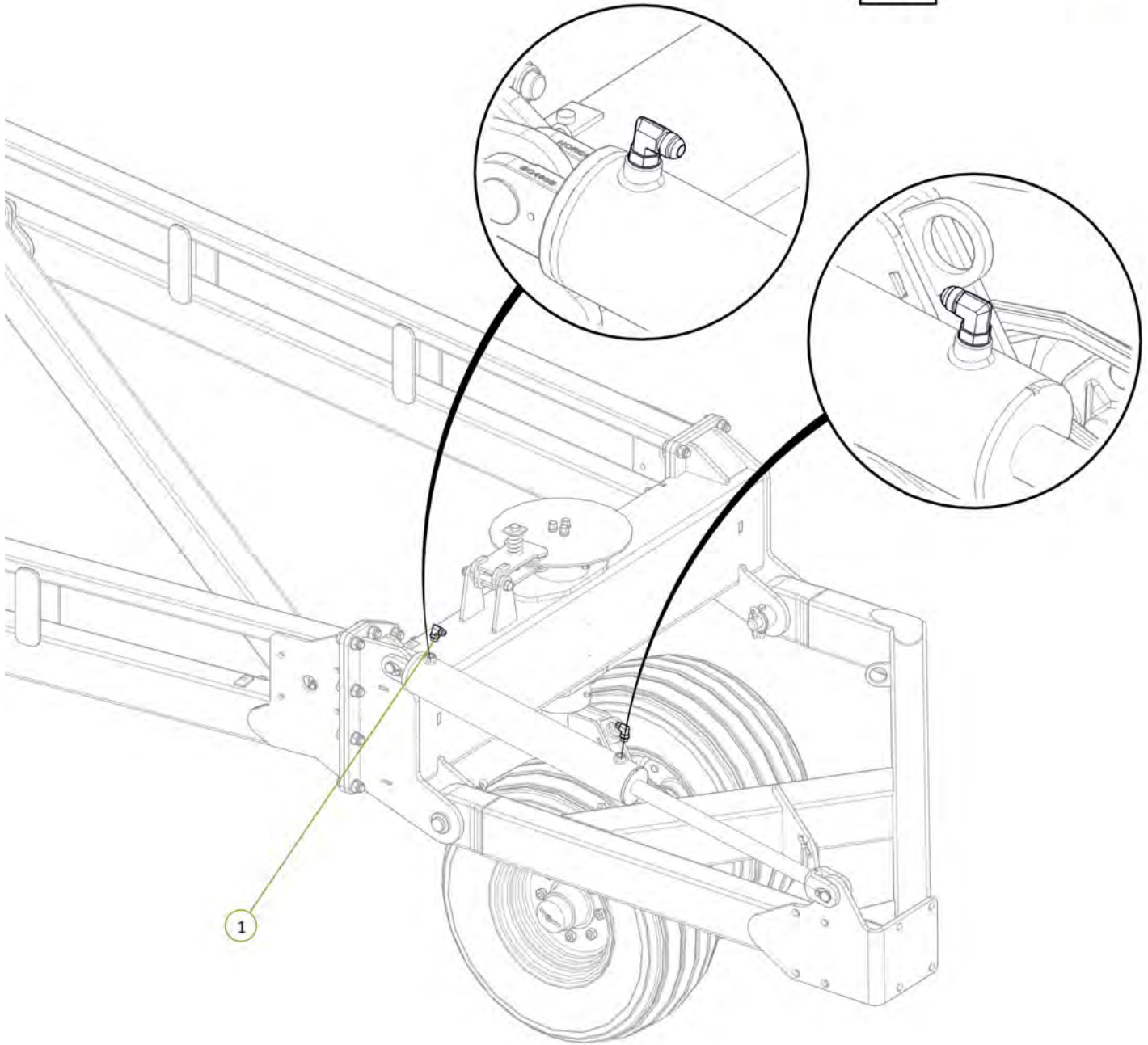
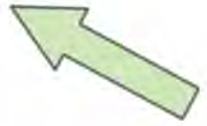
| Item No. | Description | Number | Qty |
|----------|-----------------------------|----------------|-----|
| 1 | Rear Tail | 1510-40S | 1 |
| 2 | 35 ID x 30mm DU Bush | 0113-MB3530DU | 4 |
| 3 | PCH Wing Pivot Pin | 0801-10-08-235 | 2 |
| 4 | M12 x 90 Class 10.9 ZP Bolt | 0211-1290HT | 2 |
| 5 | Nyloc Nut M12 | 0221-NYL12 | 2 |
| 6 | Cotter Pin M13 x 63 | 0261-PINC1363 | 2 |



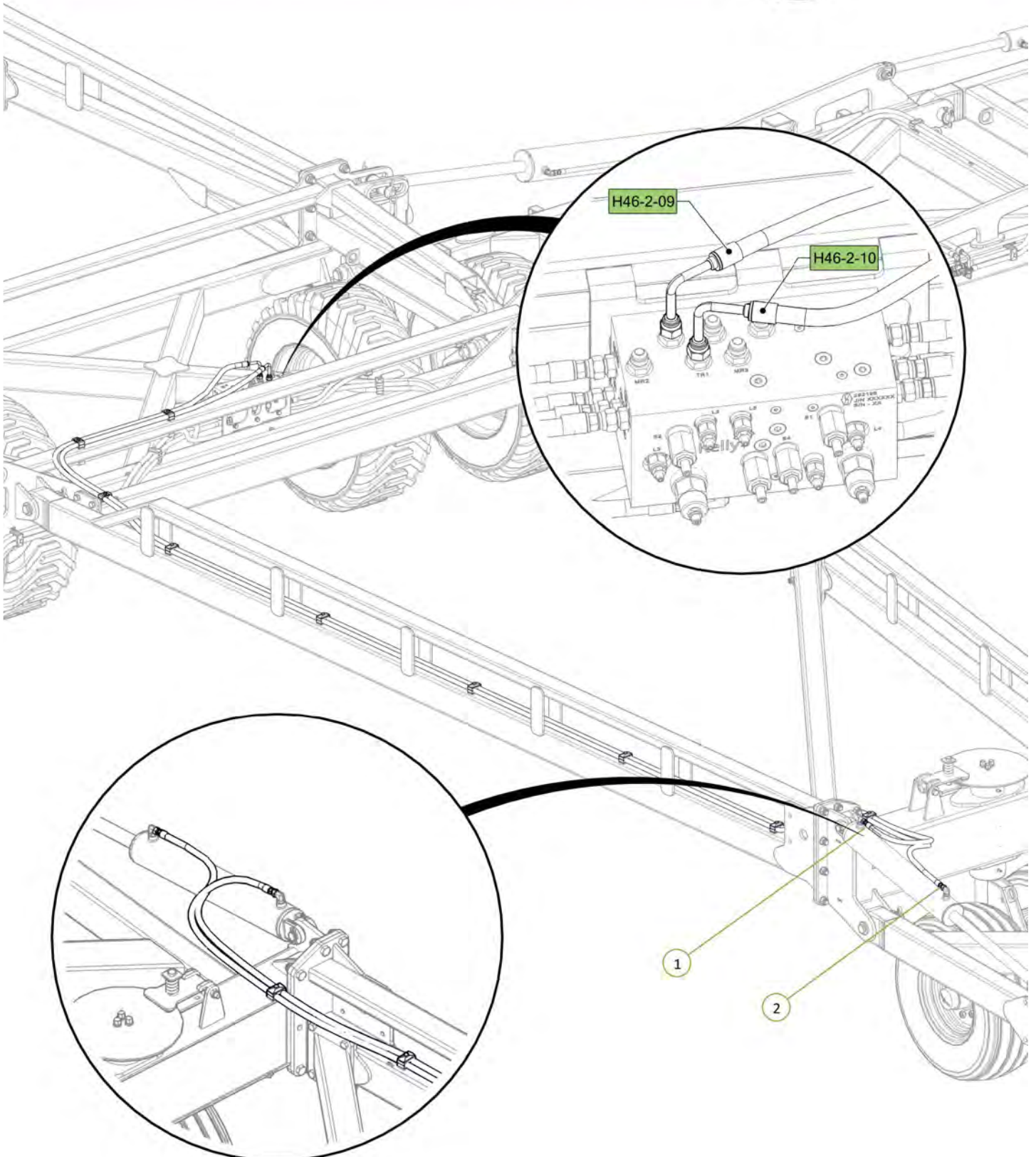
| Item No. | Description | Number | Qty |
|----------|---|----------|-----|
| 1 | 4" Bore 24" Stroke 1.75" Rod Hydraulic Cylinder | 0311-424 | 1 |



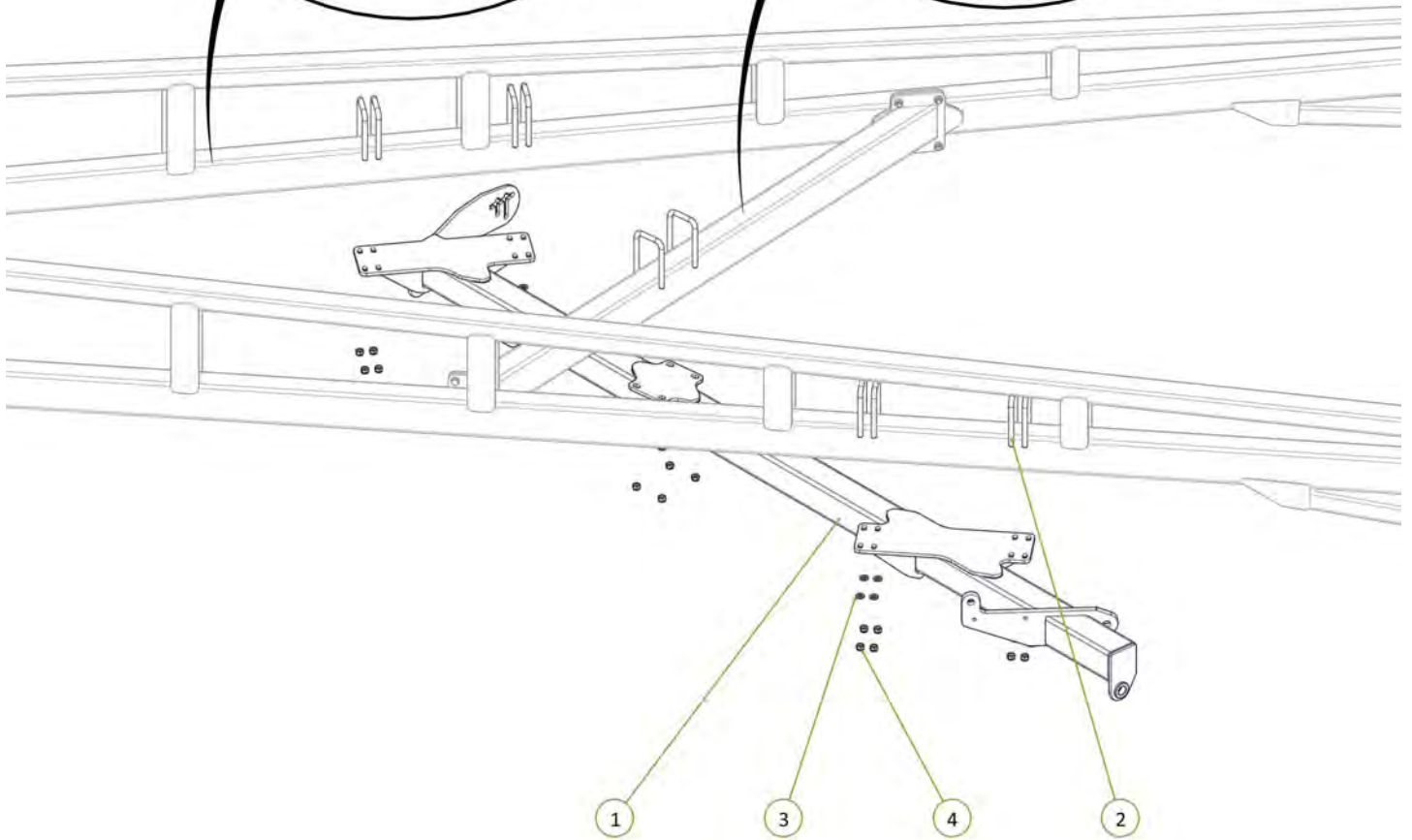
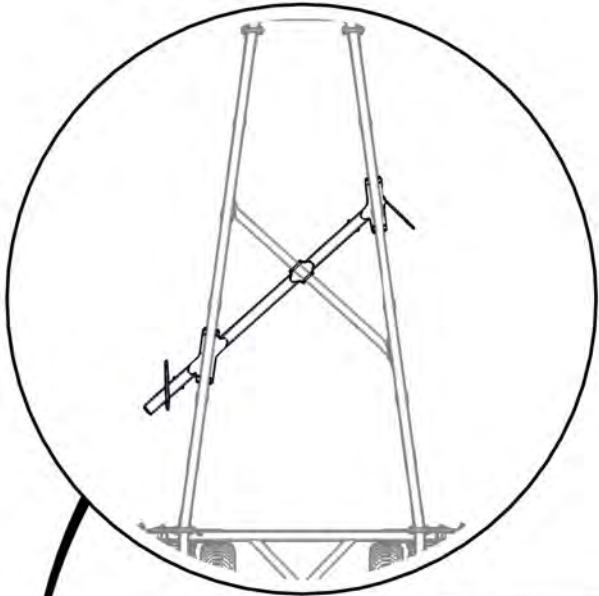
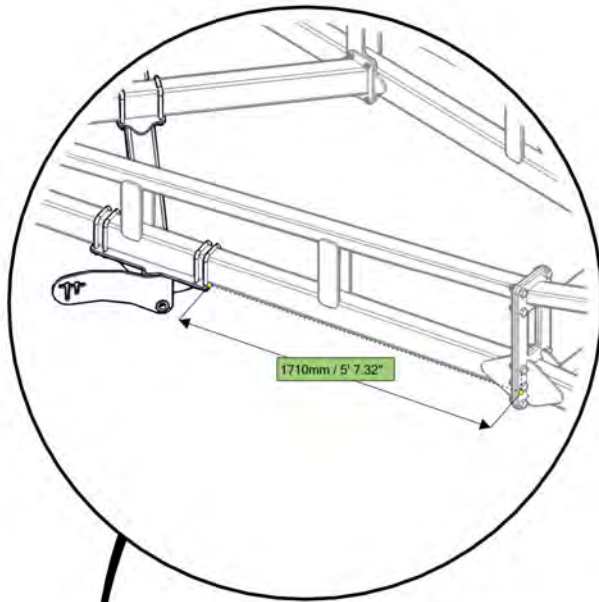
| Item No. | Description | Number | Qty |
|----------|---|---------------|-----|
| 1 | 3/4" JIC Male 3/4" UN O Ring Male 90° Elbow | 0323-S91-1212 | 2 |



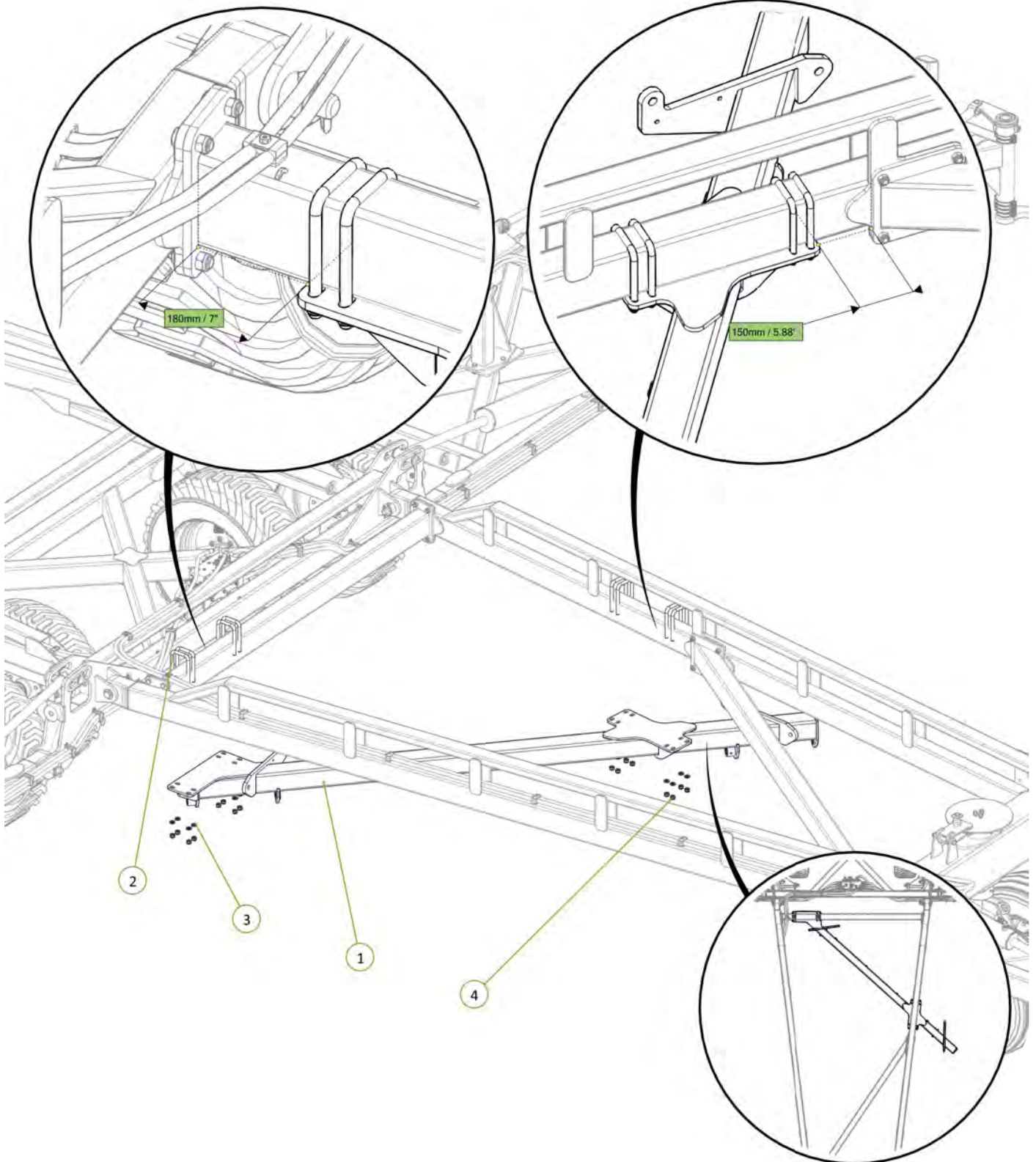
| Item No. | Description | Number | Qty |
|----------|---|----------|-----|
| 1 | Sequence Valve TE1 Port to Tail Cylinder Extend Port | H46-2-09 | 1 |
| 2 | Sequence Valve TR1 Port to Tail Cylinder Retract Port | H46-2-10 | 1 |



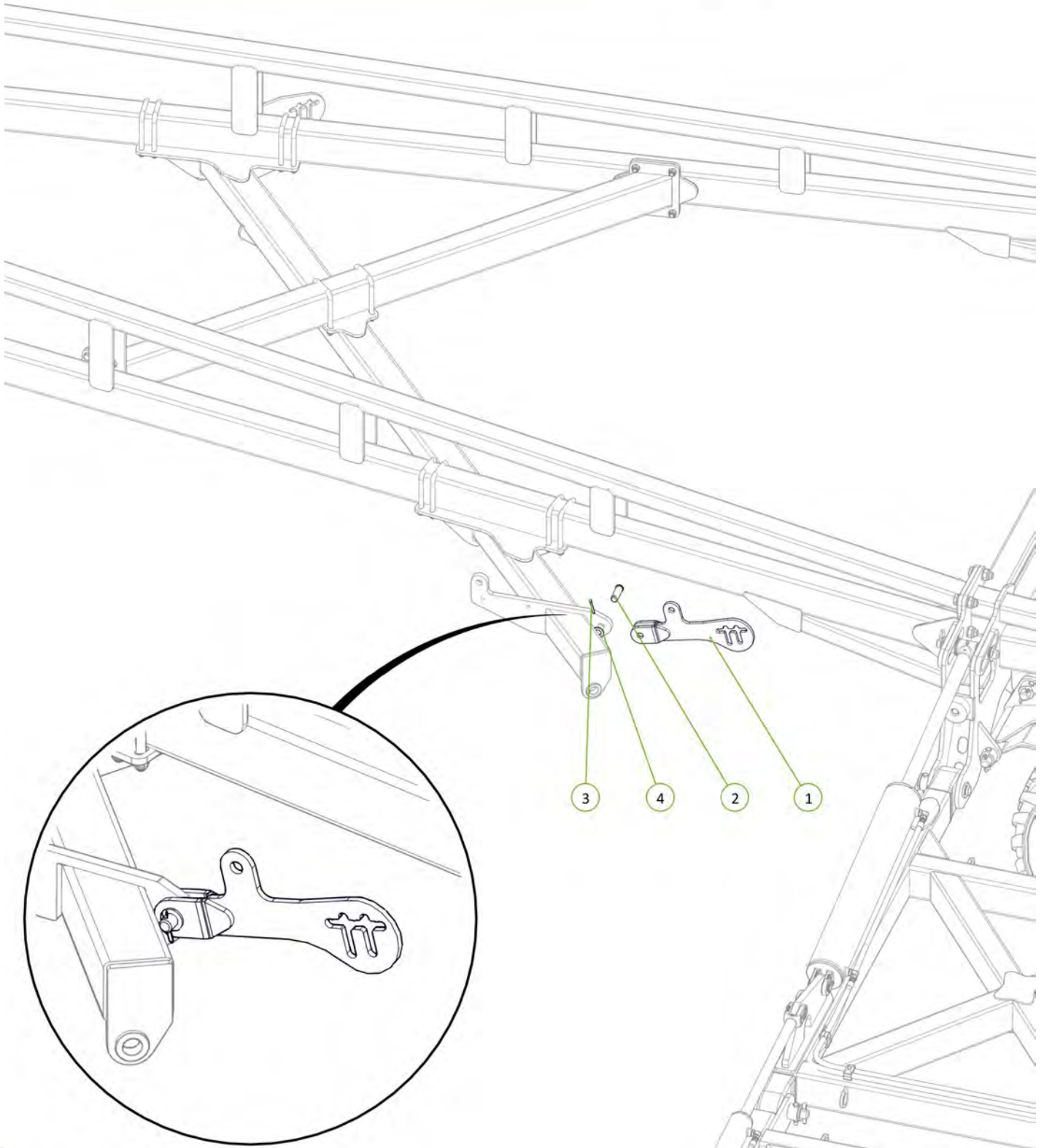
| Item No. | Description | Number | Qty |
|----------|----------------------------------|---------------|-----|
| 1 | 46' Front Module Frame | 1610-28-46-2 | 1 |
| 2 | U-Bolt M16 x 185 Deep x 104 Wide | 0271-16185104 | 10 |
| 3 | Washer Flat M16 | 0231-F16 | 20 |
| 4 | Nyloc Nut M16 | 0221-NYL16 | 20 |



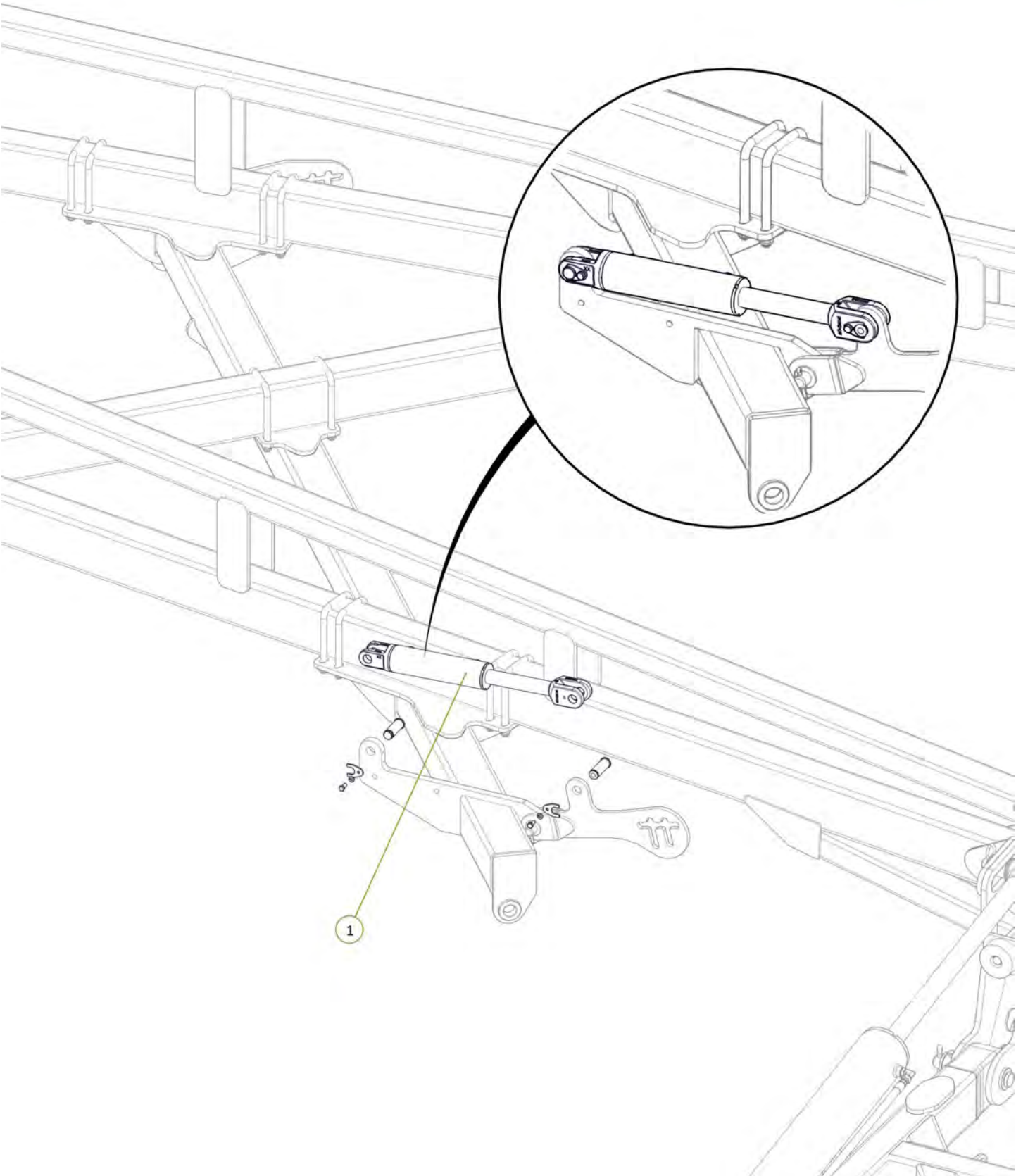
| Item No. | Description | Number | Qty |
|----------|----------------------------------|---------------|-----|
| 1 | 46' Rear Module Frame | 1610-29-46-2 | 1 |
| 2 | U-Bolt M16 x 185 Deep x 104 Wide | 0271-16185104 | 8 |
| 3 | Washer Flat M16 | 0231-F16 | 16 |
| 4 | Nyloc Nut M16 | 0221-NYL16 | 16 |



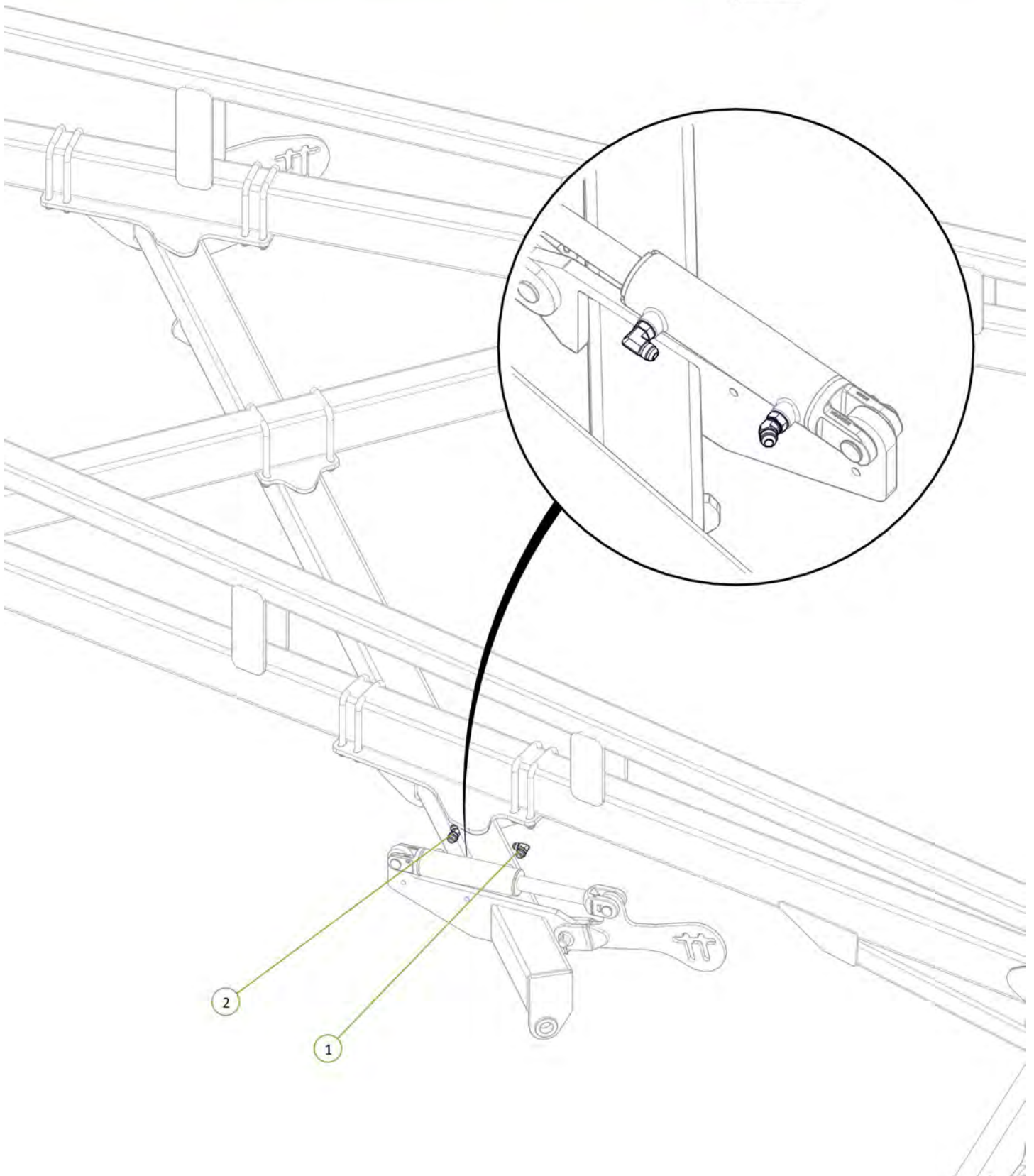
| Item No. | Description | Number | Qty |
|----------|------------------------|---------------|-----|
| 1 | Long Module Lift Arm | 1610-106 | 1 |
| 2 | Clevis Pin 25mm x 75mm | 0801-KE0307-1 | 1 |
| 3 | Cotter Pin M5 x 50 | 0261-PINC550 | 1 |
| 4 | Washer Flat M24 | 0231-F24 | 1 |



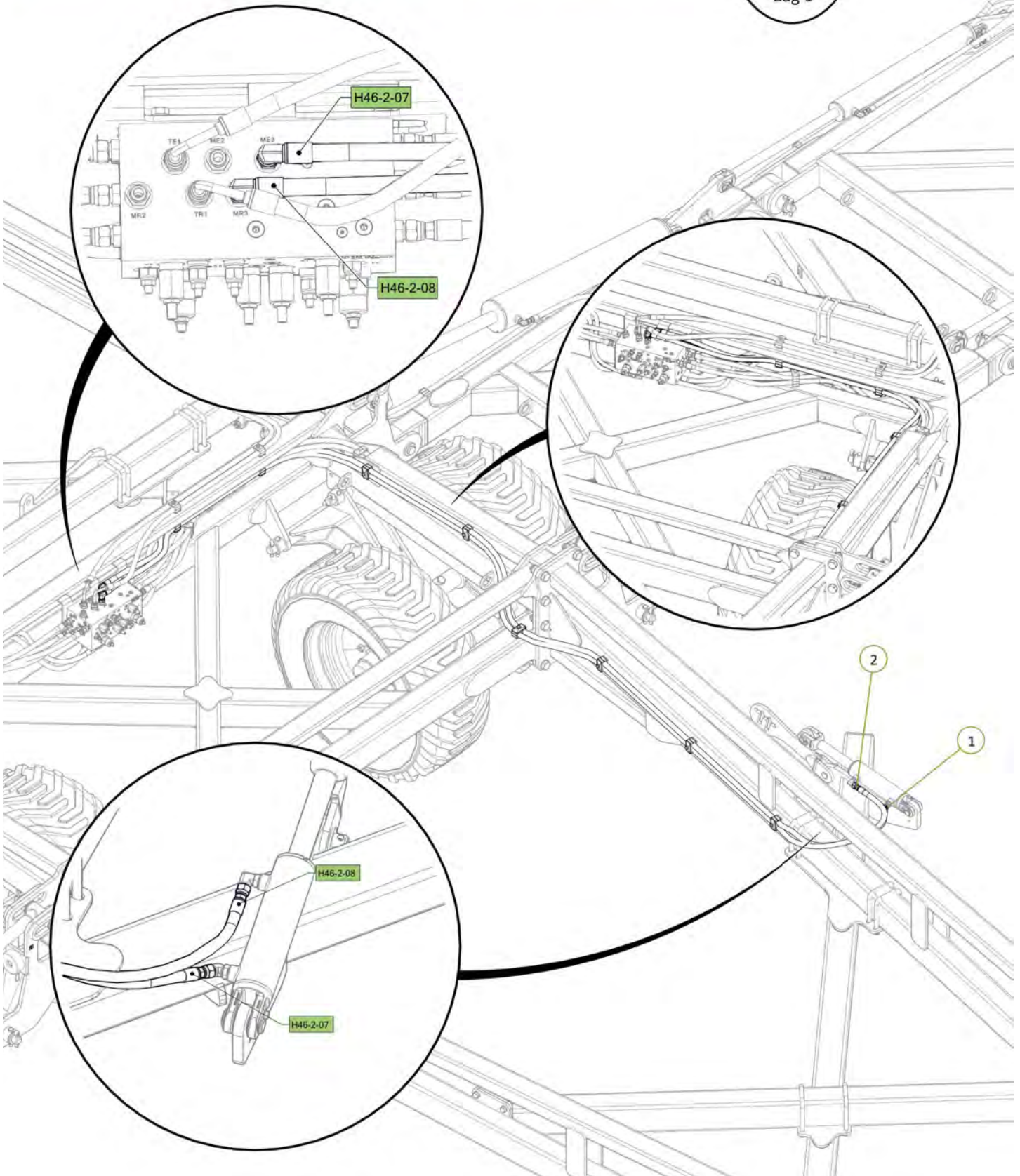
| Item No. | Description | Number | Qty |
|----------|---|------------|-----|
| 1 | 2.5" Bore x 6" Stroke 1.5" Rod Side Port Cylinder | 0311-256SP | 1 |



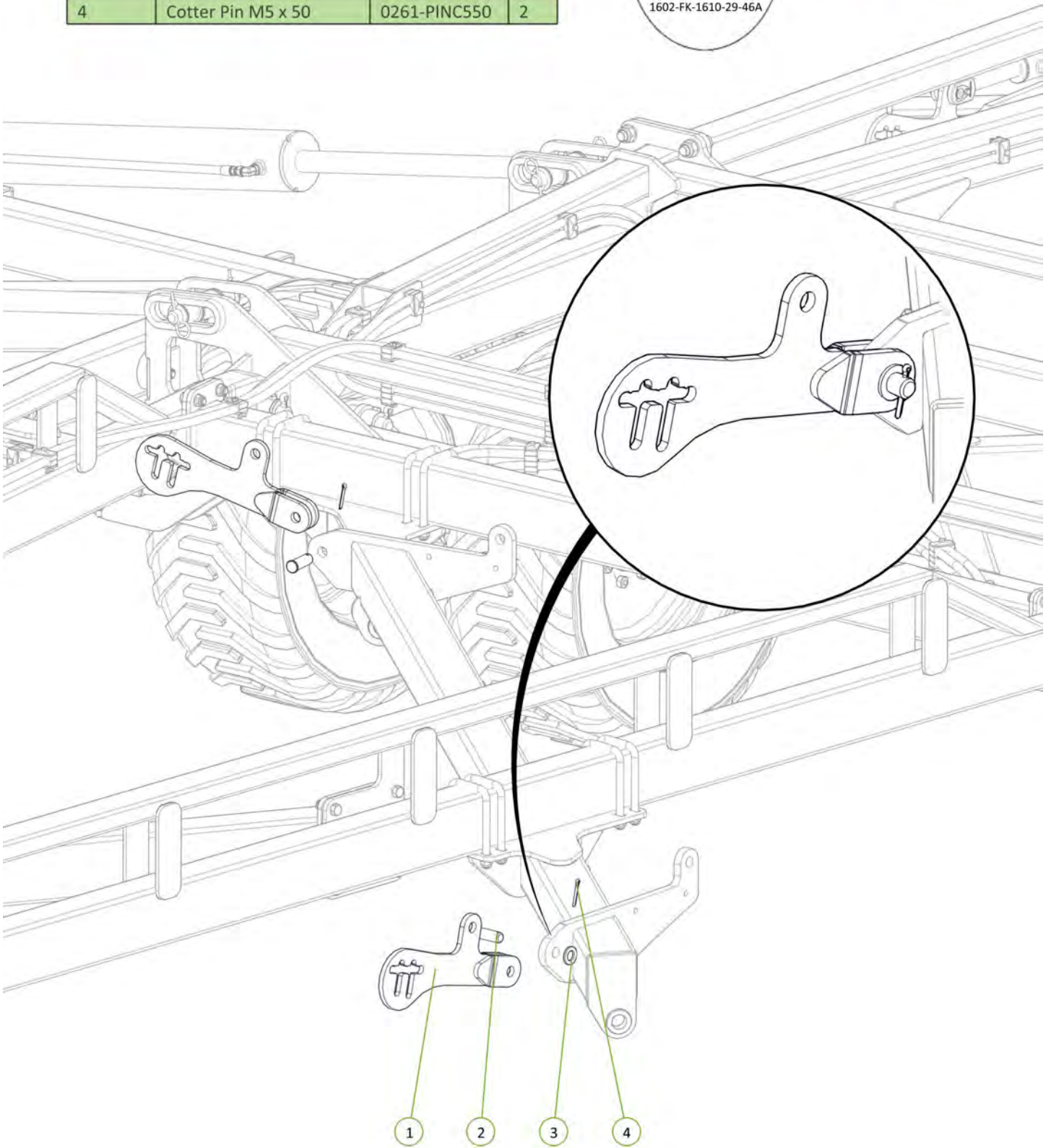
| Item No. | Description | Number | Qty |
|----------|---|---------------|-----|
| 1 | 3/4" JIC Male 3/4" UN O Ring Male 90° Elbow | 0323-S91-1212 | 1 |
| 2 | 3/4" JIC Male 3/4" UN O Ring Male 45° Elbow | 0323-S88-1212 | 1 |



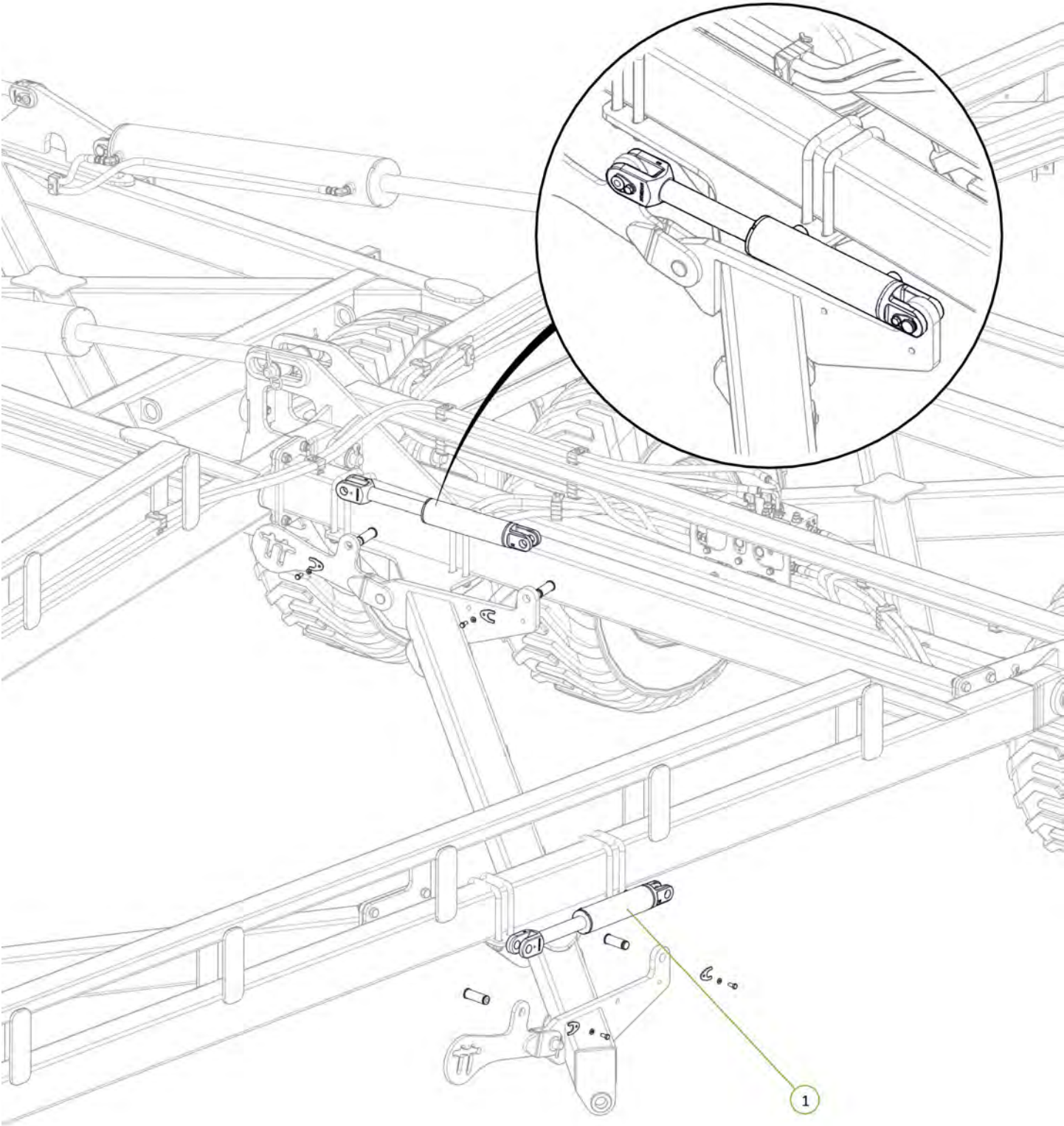
| Item No. | Description | Number | Qty |
|----------|---|----------|-----|
| 1 | Sequence Valve ME3 Port to Front Module Cylinder Extend Port | H46-2-07 | 1 |
| 2 | Sequence Valve MR3 Port to Front Module Cylinder Retract Port | H46-2-08 | 1 |



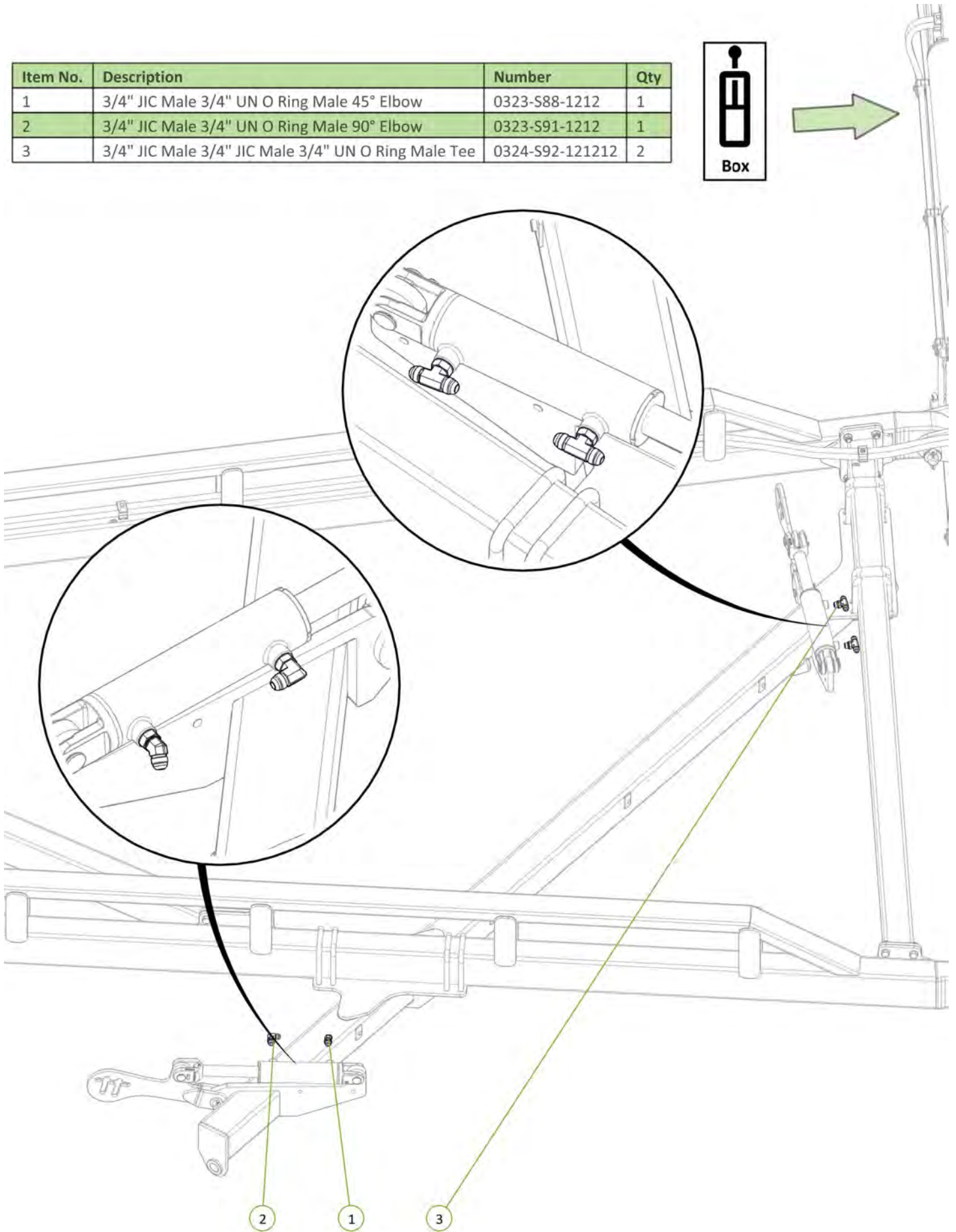
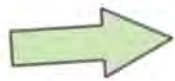
| Item No. | Description | Number | Qty |
|----------|------------------------|---------------|-----|
| 1 | Long Module Lift Arm | 1610-106 | 2 |
| 2 | Clevis Pin 25mm x 75mm | 0801-KE0307-1 | 2 |
| 3 | Washer Flat M24 | 0231-F24 | 2 |
| 4 | Cotter Pin M5 x 50 | 0261-PINC550 | 2 |



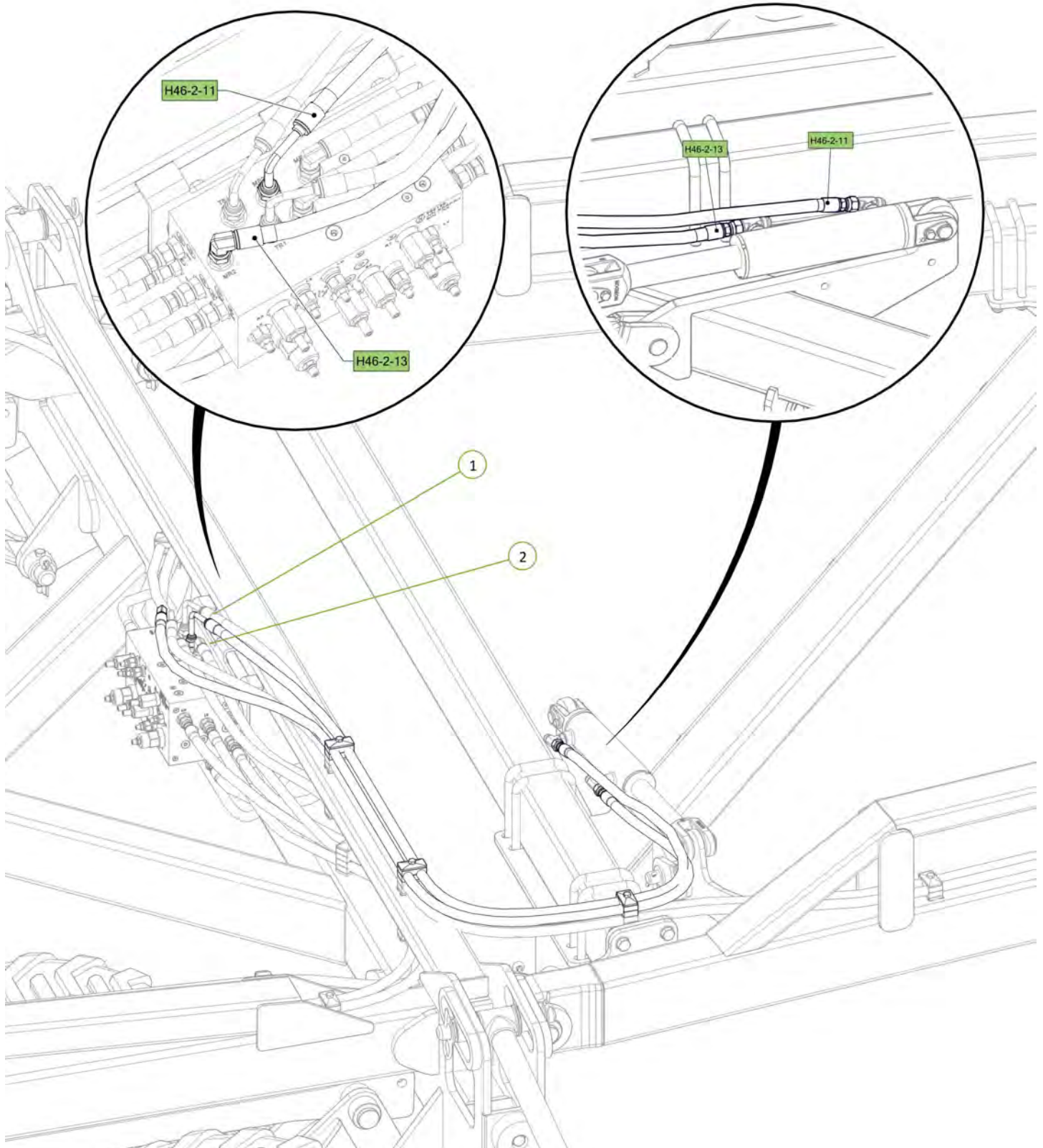
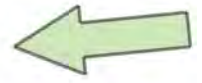
| Item No. | Description | Number | Qty |
|----------|---|------------|-----|
| 1 | 2.5" Bore x 6" Stroke 1.5" Rod Side Port Cylinder | 0311-256SP | 2 |



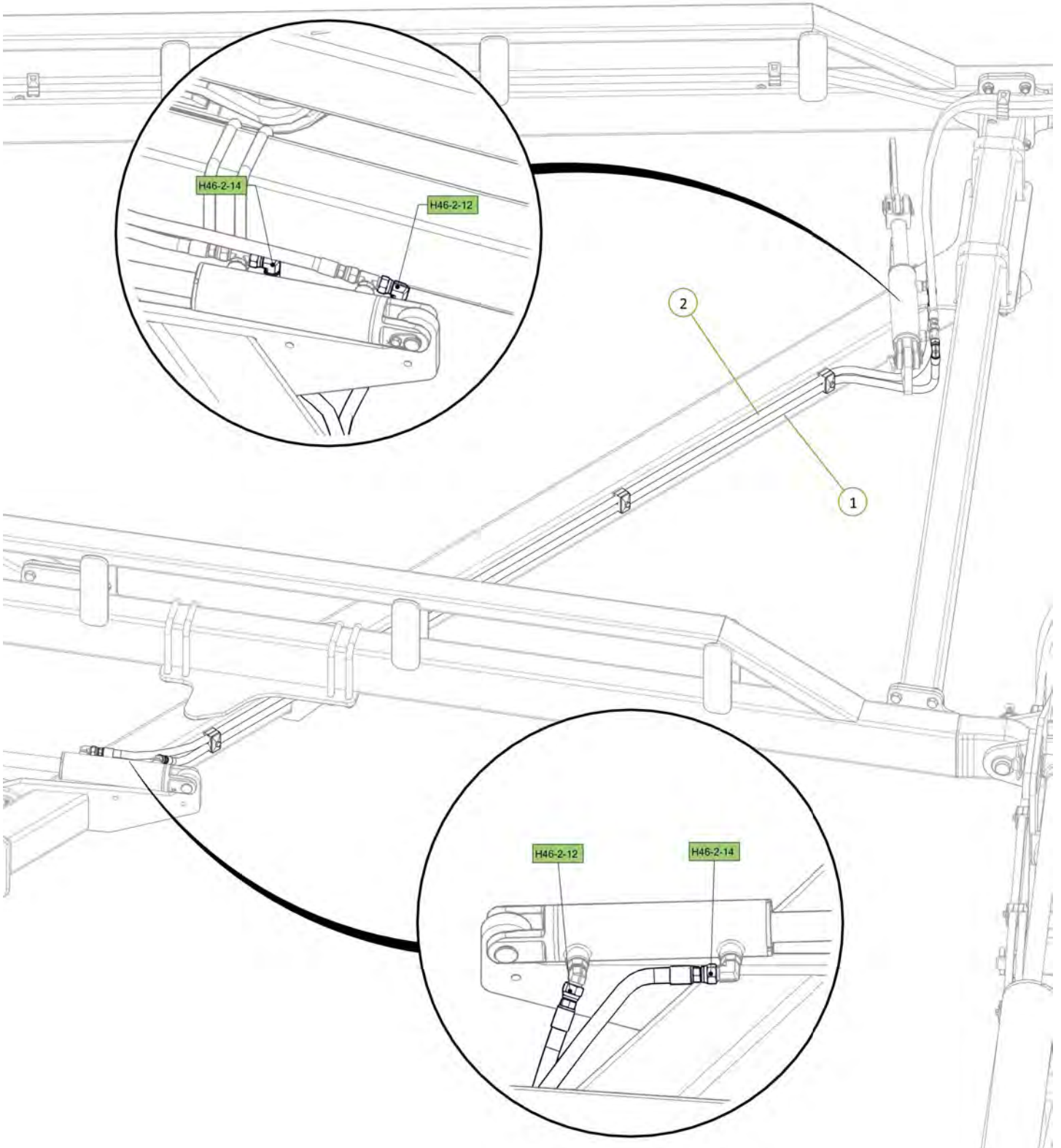
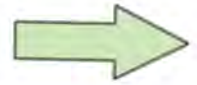
| Item No. | Description | Number | Qty |
|----------|---|-----------------|-----|
| 1 | 3/4" JIC Male 3/4" UN O Ring Male 45° Elbow | 0323-S88-1212 | 1 |
| 2 | 3/4" JIC Male 3/4" UN O Ring Male 90° Elbow | 0323-S91-1212 | 1 |
| 3 | 3/4" JIC Male 3/4" JIC Male 3/4" UN O Ring Male Tee | 0324-S92-121212 | 2 |



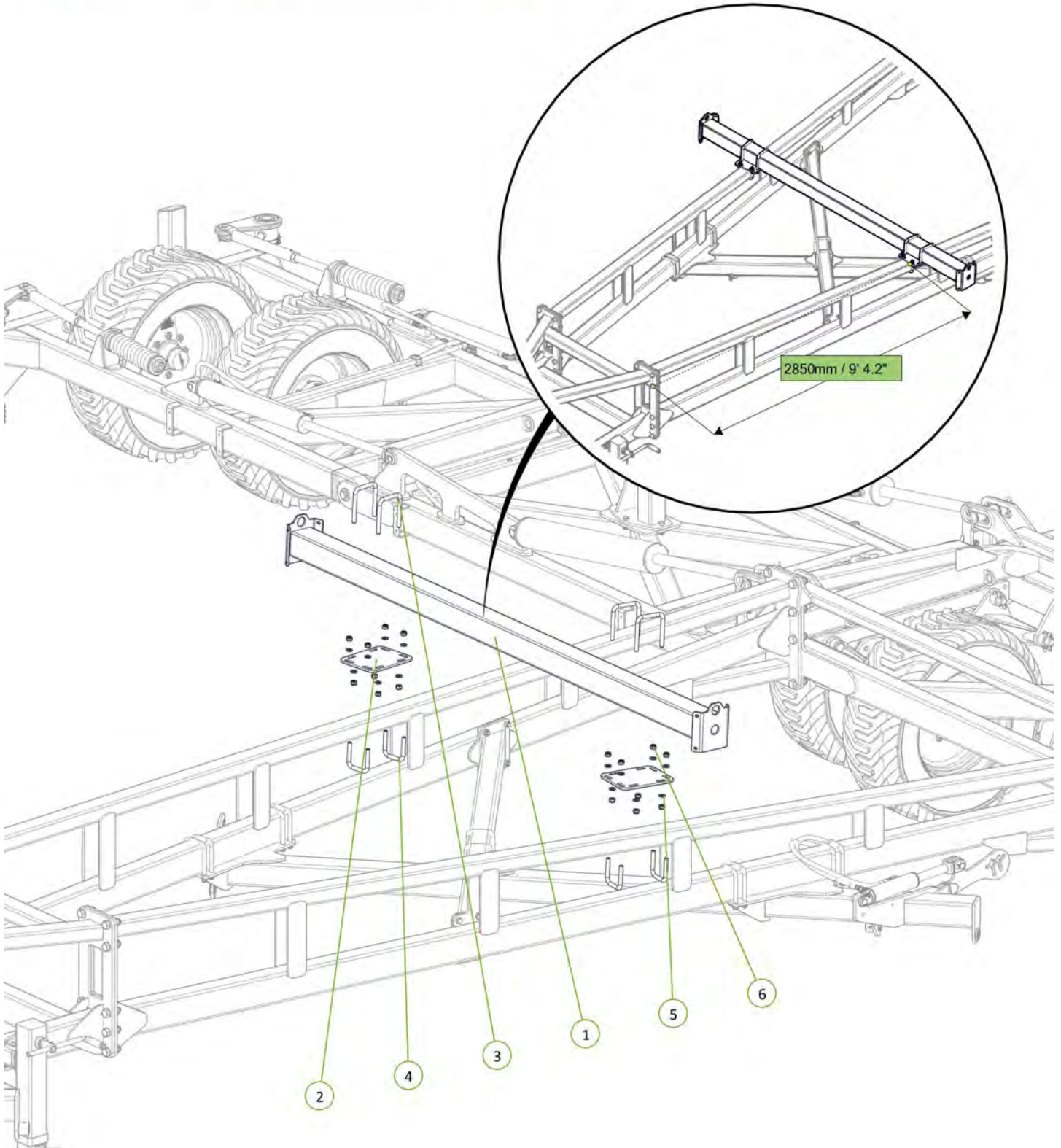
| Item No. | Description | Number | Qty |
|----------|---|----------|-----|
| 1 | Sequence Valve ME2 Port to LH Rear Module Extend Tee | H46-2-11 | 1 |
| 2 | Sequence Valve MR2 Port to LH Rear Module Retract Tee | H46-2-13 | 1 |



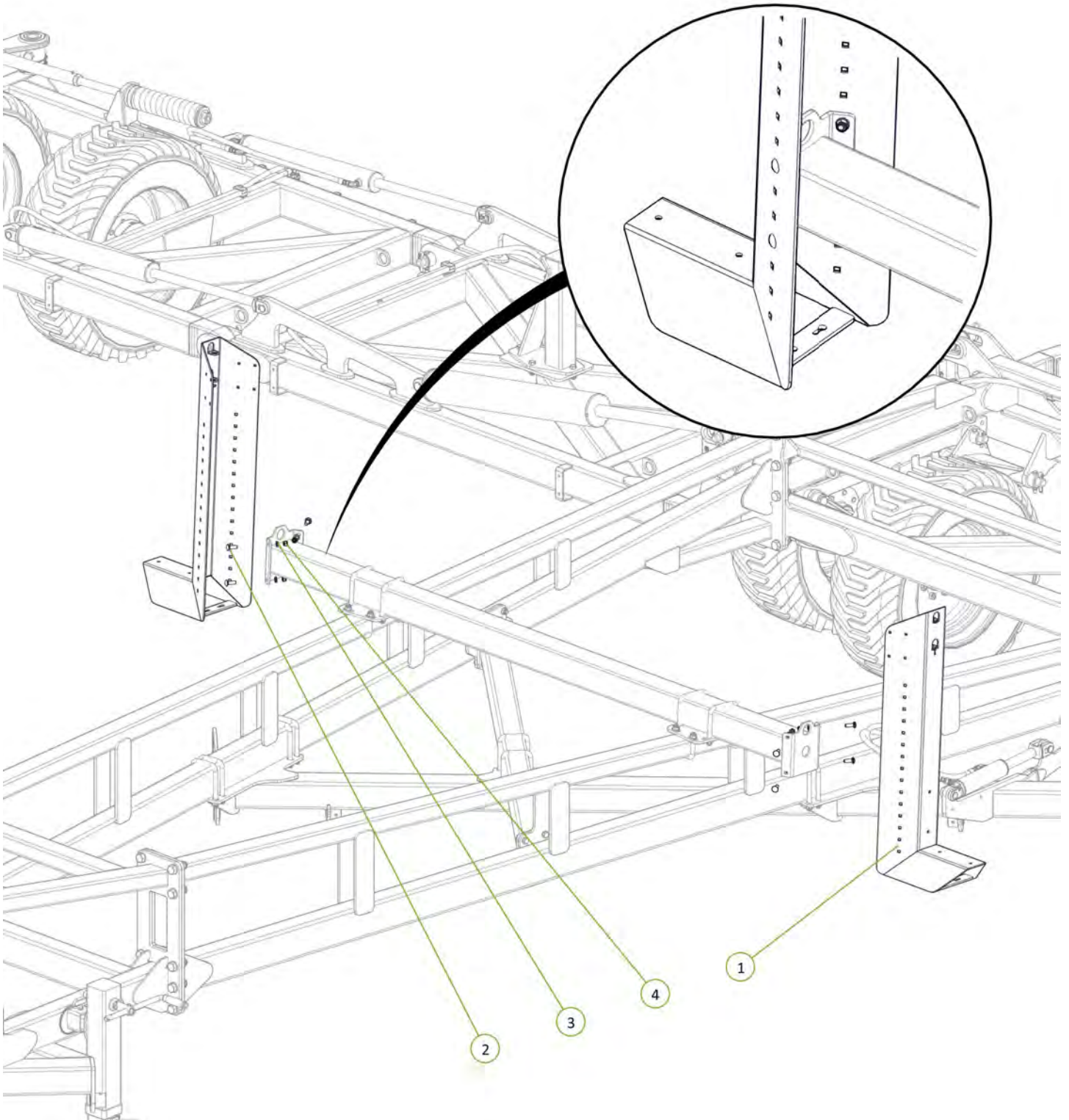
| Item No. | Description | Number | Qty |
|----------|--|----------|-----|
| 1 | LH Rear Module Extend Tee to RH Rear Module Cylinder Extend Port | H46-2-12 | 1 |
| 2 | LH Rear Module Retract Tee to RH Rear Module Cylinder Retract Port | H46-2-14 | 1 |



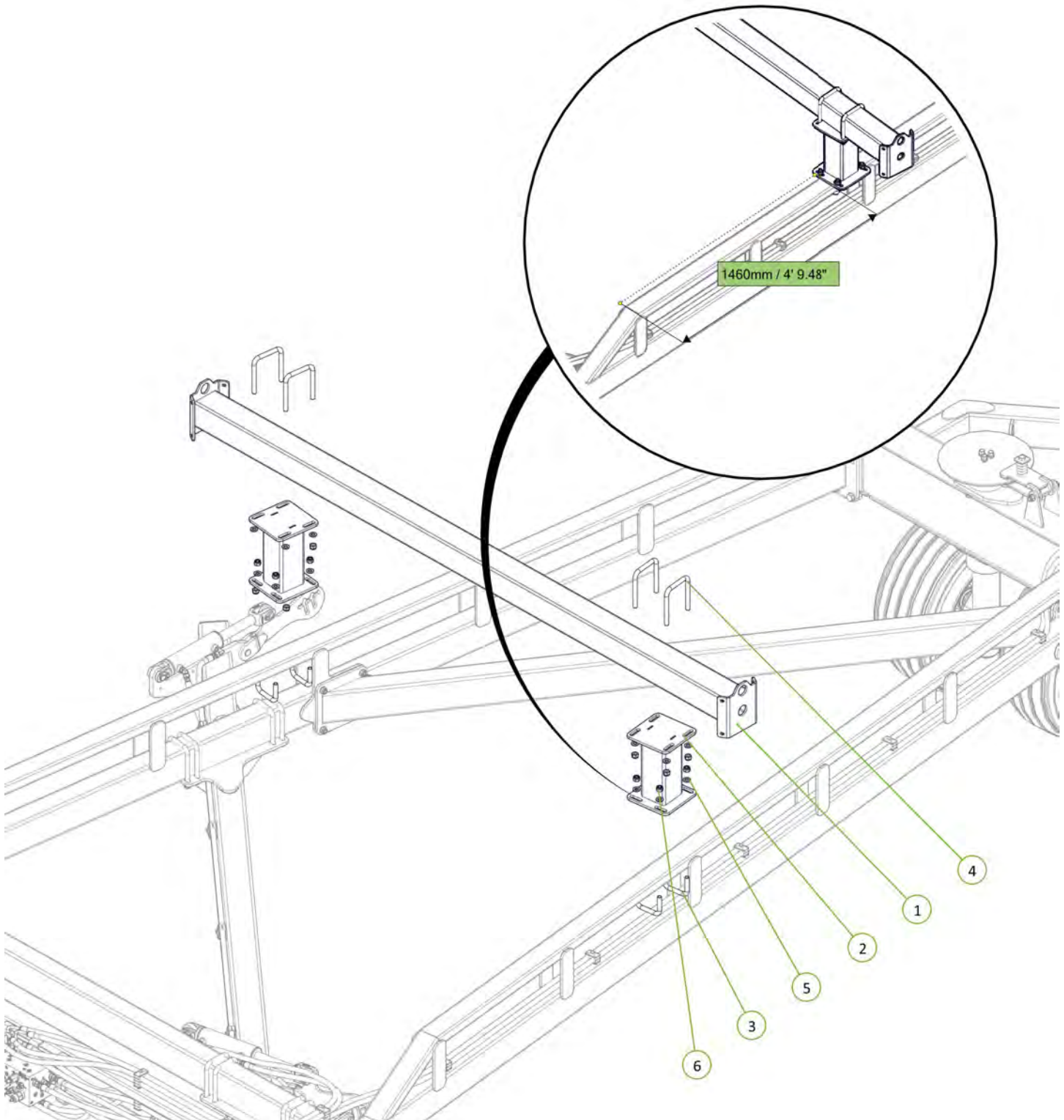
| Item No. | Description | Number | Qty |
|----------|----------------------------------|---------------|-----|
| 1 | 46' Chain Carrier Beam | 0810-17-45-46 | 1 |
| 2 | Chain Carrier Mount Plate | 0800-139.1 | 2 |
| 3 | U-Bolt M16 x 160 Deep x 127 Wide | 0271-16160127 | 4 |
| 4 | U-Bolt M16 x 112 Deep x 104 Wide | 0271-16112104 | 4 |
| 5 | Washer Flat M16 | 0231-F16 | 16 |
| 6 | Nyloc Nut M16 | 0221-NYL16 | 16 |



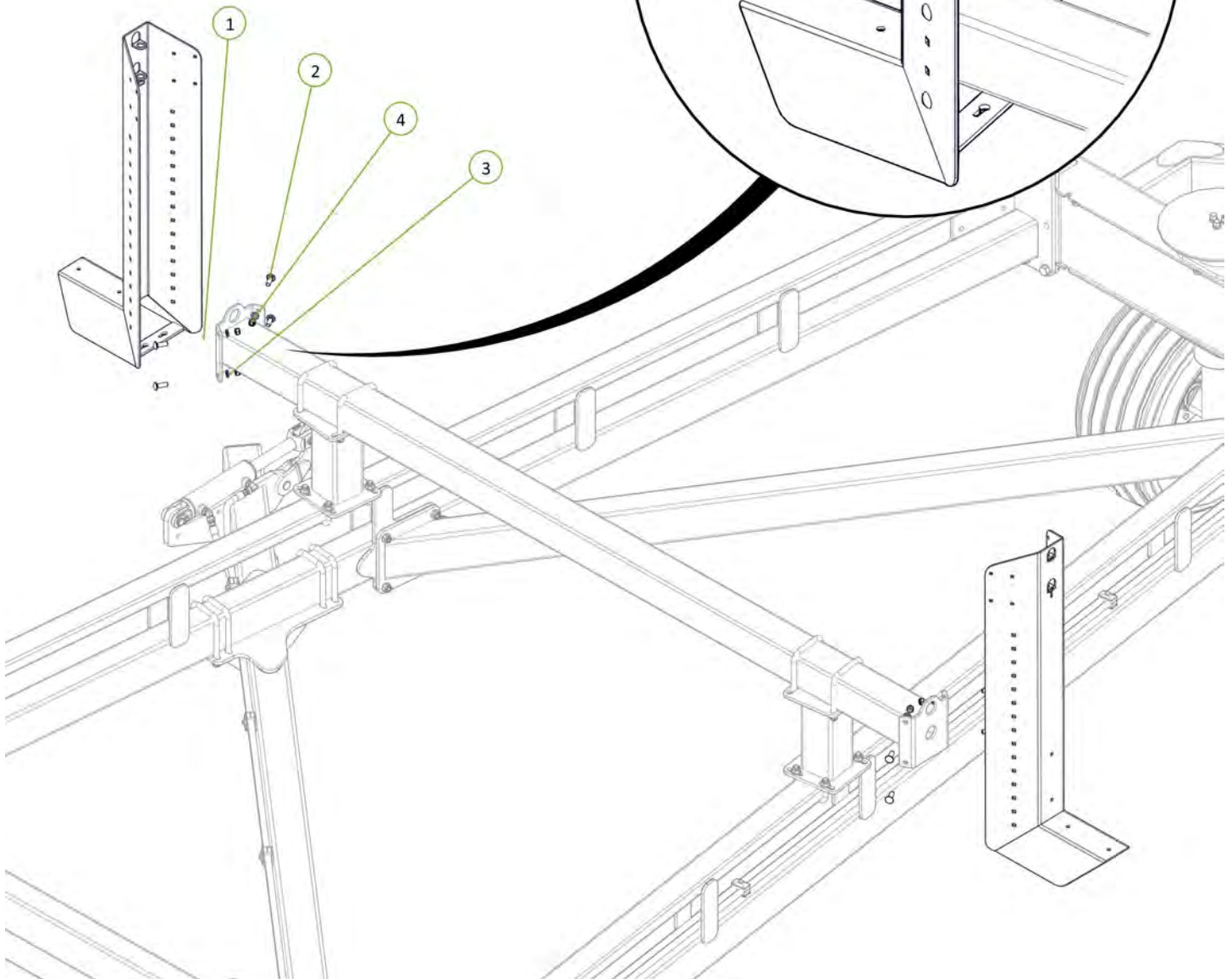
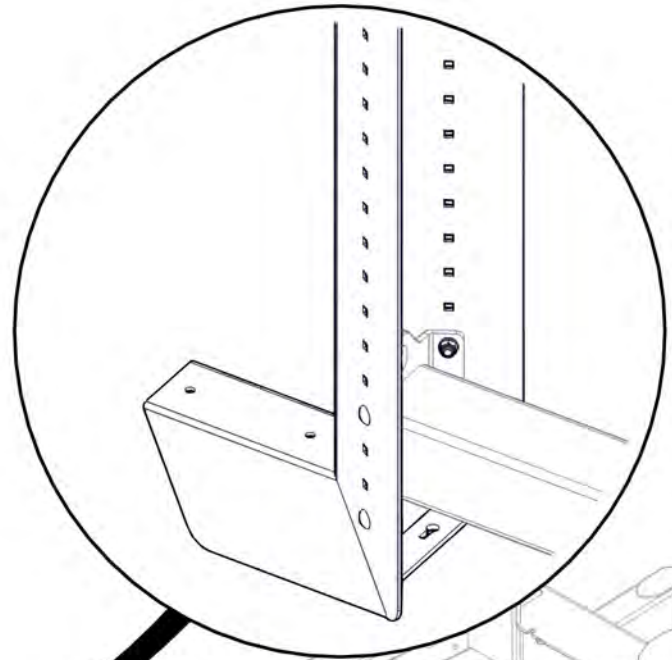
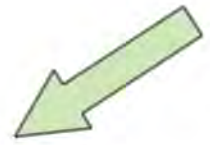
| Item No. | Description | Number | Qty |
|----------|------------------------------------|-------------|-----|
| 1 | Extended Chain Carrier Bolt on End | 0810-17LE | 2 |
| 2 | M12 x 40 Coach Head Bolt | 0215-CH1240 | 8 |
| 3 | Washer Flat M12 | 0231-F12 | 8 |
| 4 | Nyloc Nut M12 | 0221-NYL12 | 8 |



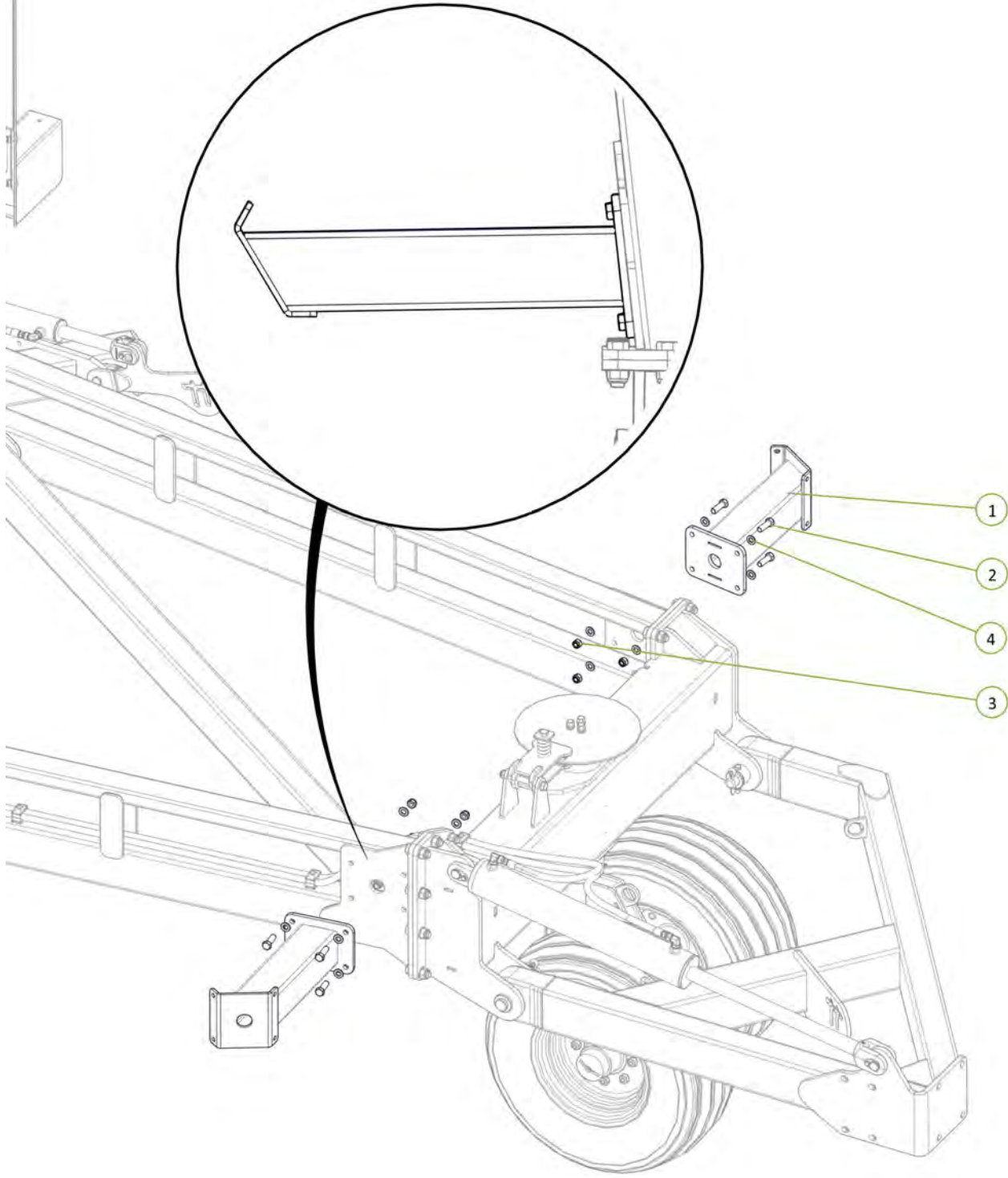
| Item No. | Description | Number | Qty |
|----------|----------------------------------|---------------|-----|
| 1 | 46' Chain Carrier Beam | 0810-17-45-46 | 1 |
| 2 | 300mm Chain Carrier Pedestal | 1510-43 | 2 |
| 3 | U-Bolt M16 x 104 Wide x 85 Deep | 0271-1610485 | 4 |
| 4 | U-Bolt M16 x 160 Deep x 127 Wide | 0271-16160127 | 4 |
| 5 | Washer Flat M16 | 0231-F16 | 16 |
| 6 | Nyloc Nut M16 | 0221-NYL16 | 16 |



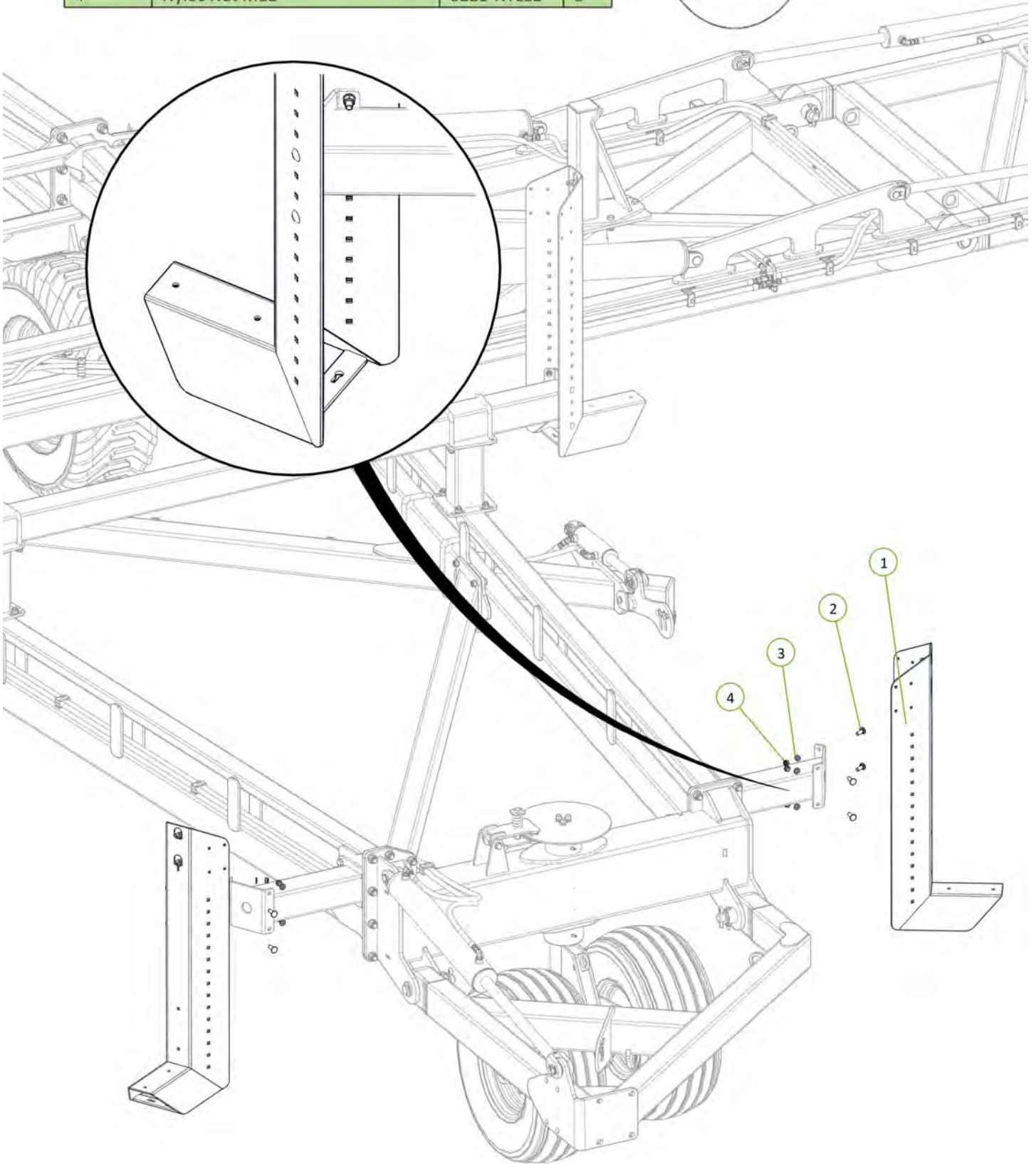
| Item No. | Description | Number | Qty |
|----------|------------------------------------|-------------|-----|
| 1 | Extended Chain Carrier Bolt on End | 0810-17LE | 2 |
| 2 | M12 x 40 Coach Head Bolt | 0215-CH1240 | 8 |
| 3 | Washer Flat M12 | 0231-F12 | 8 |
| 4 | Nyloc Nut M12 | 0221-NYL12 | 8 |



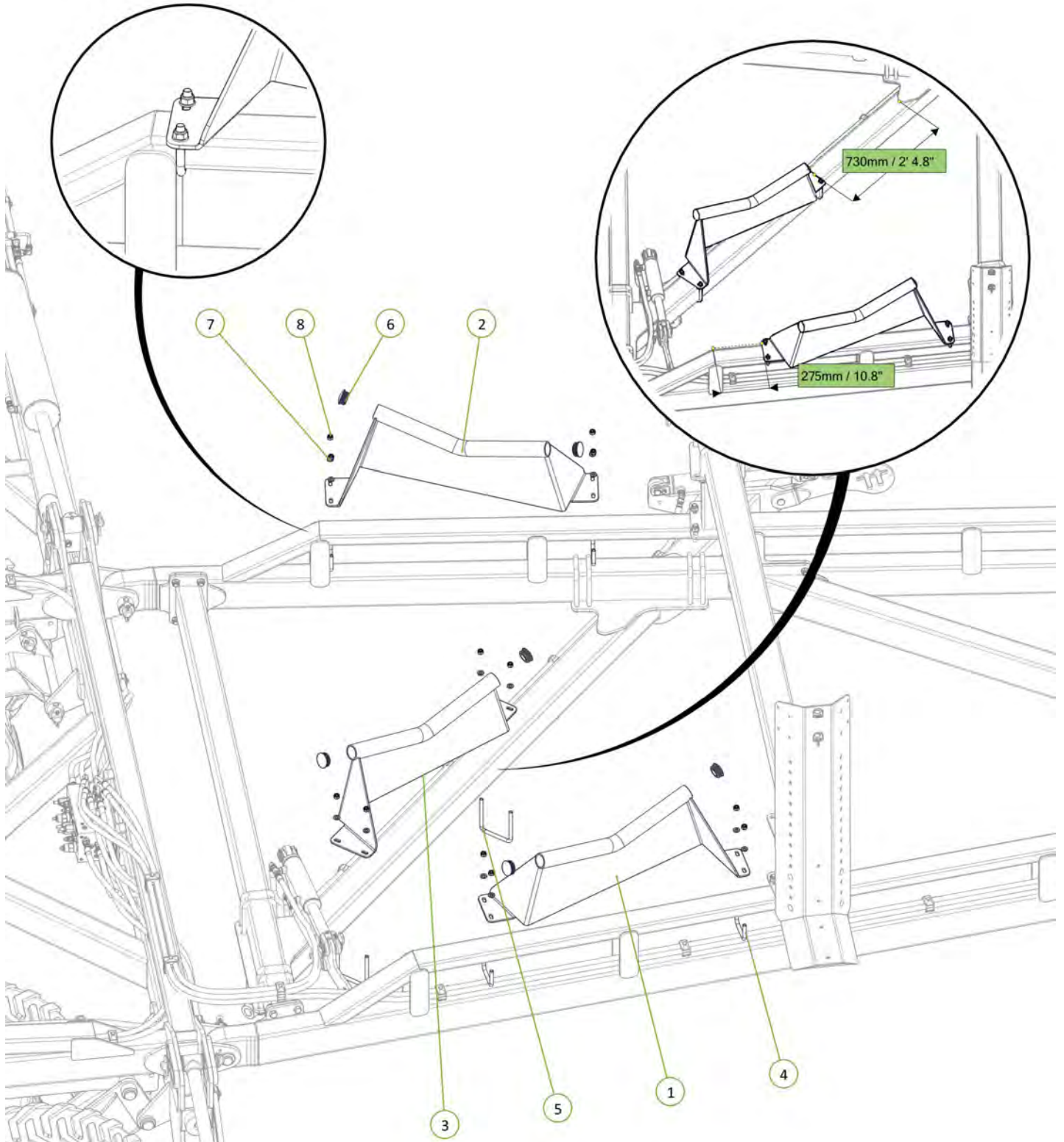
| Item No. | Description | Number | Qty |
|----------|----------------------------|------------|-----|
| 1 | 46' Outrigger | 1610-109 | 2 |
| 2 | M16 x 50 grade 8.8 zp Bolt | 0211-1650 | 8 |
| 3 | Nyloc Nut M16 | 0221-NYL16 | 8 |
| 4 | Washer Flat M16 | 0231-F16 | 16 |



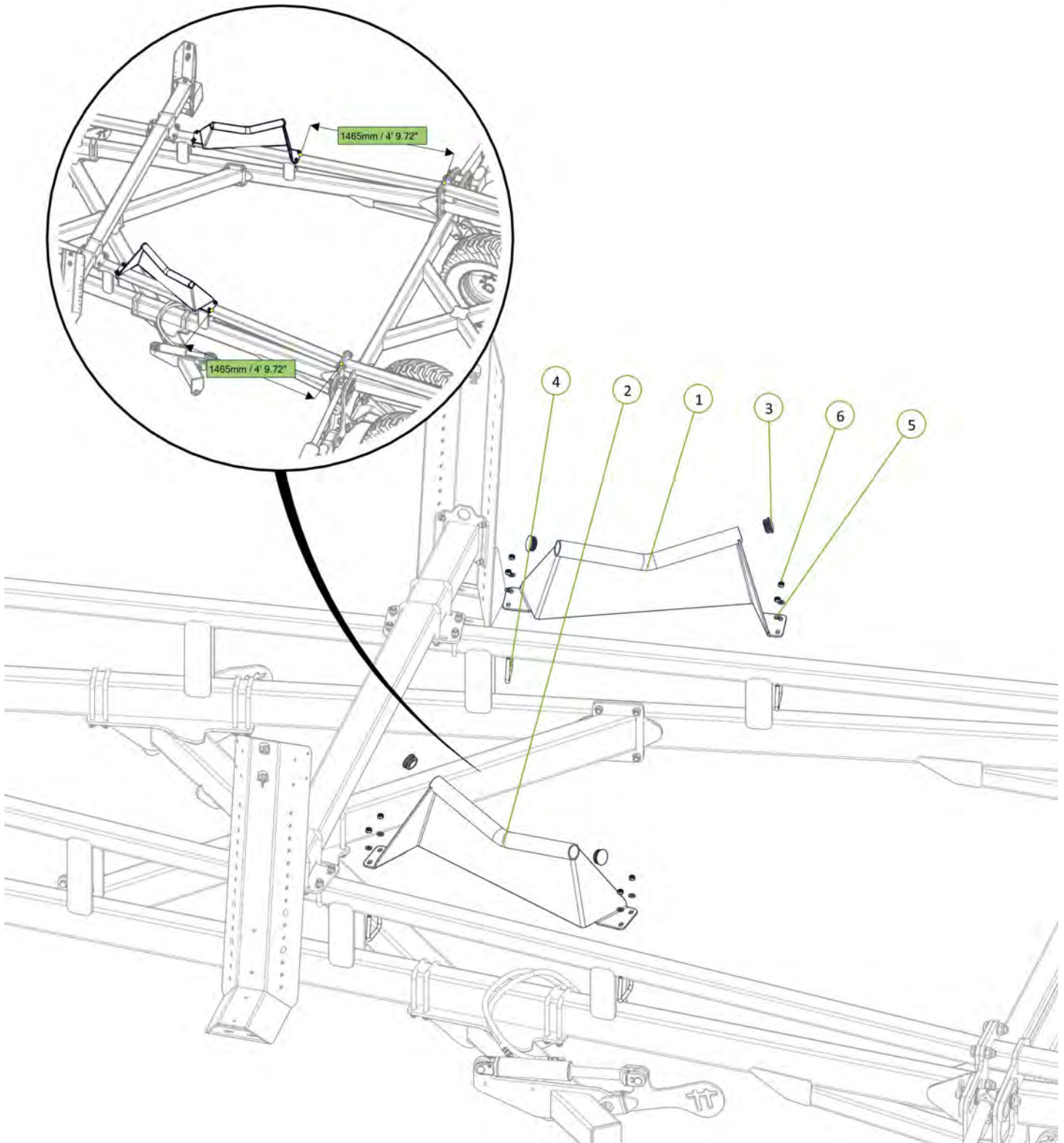
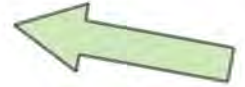
| Item No. | Description | Number | Qty |
|----------|------------------------------------|-------------|-----|
| 1 | Extended Chain Carrier Bolt on End | 0810-17LE | 2 |
| 2 | M12 x 40 Coach Head Bolt | 0215-CH1240 | 8 |
| 3 | Washer Flat M12 | 0231-F12 | 8 |
| 4 | Nyloc Nut M12 | 0221-NYL12 | 8 |

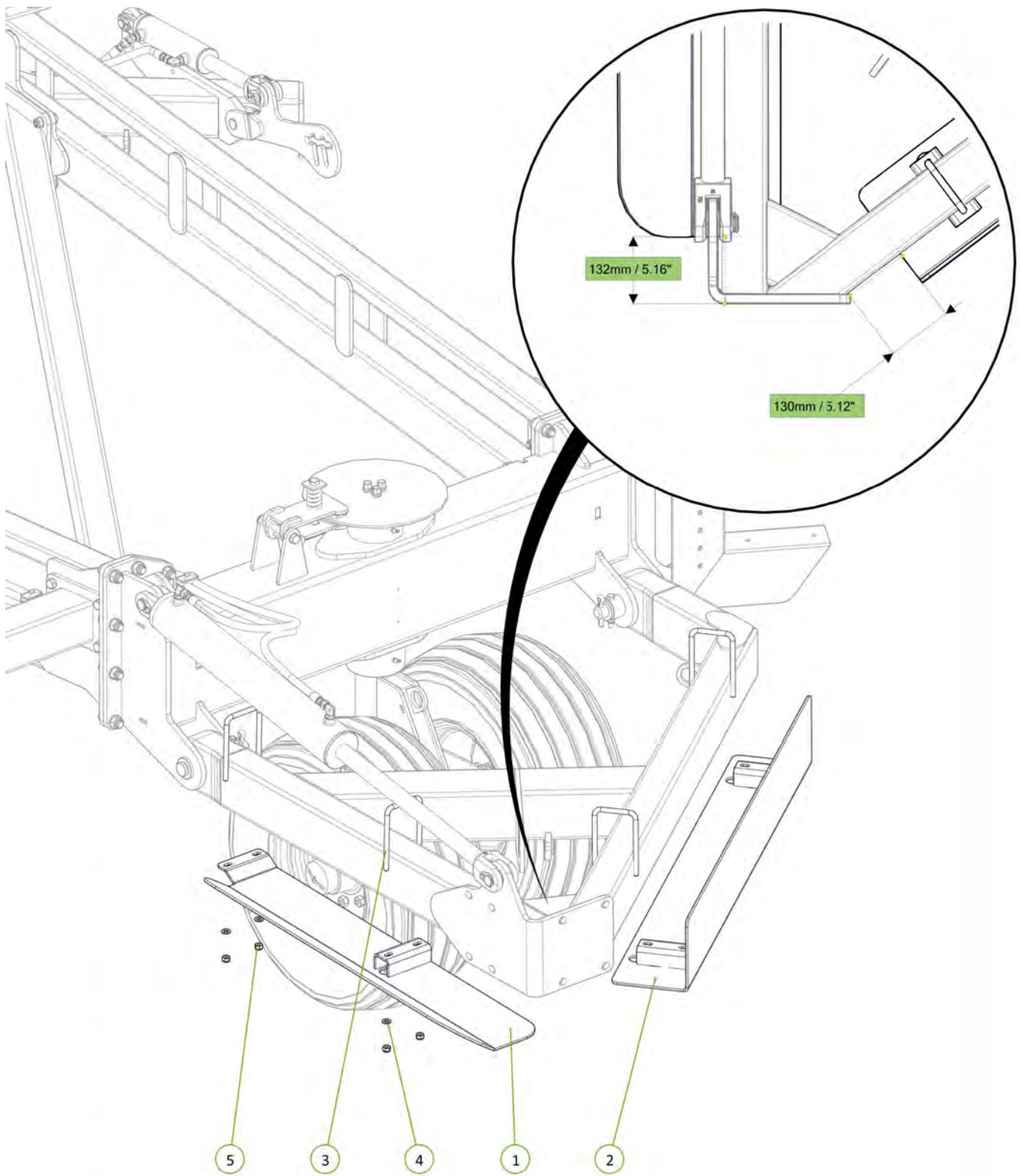


| Item No. | Description | Number | Qty |
|----------|----------------------------------|----------------|-----|
| 1 | Right Hand Off Set M | 0810-18R | 1 |
| 2 | Left Hand Off Set M | 0810-19L | 1 |
| 3 | Module M | 1610-189 | 1 |
| 4 | U-Bolt M12 x 104 Wide x 77 Deep | 0271-1210477 | 4 |
| 5 | U-Bolt M12 x 155 Deep x 127 Wide | 0271-12155127 | 2 |
| 6 | Round Tube Insert 60.3 x 3.2-5mm | 0264-RTRI-5584 | 6 |
| 7 | Washer Flat M12 | 0231-F12 | 12 |
| 8 | Nyloc Nut M12 | 0221-NYL12 | 12 |



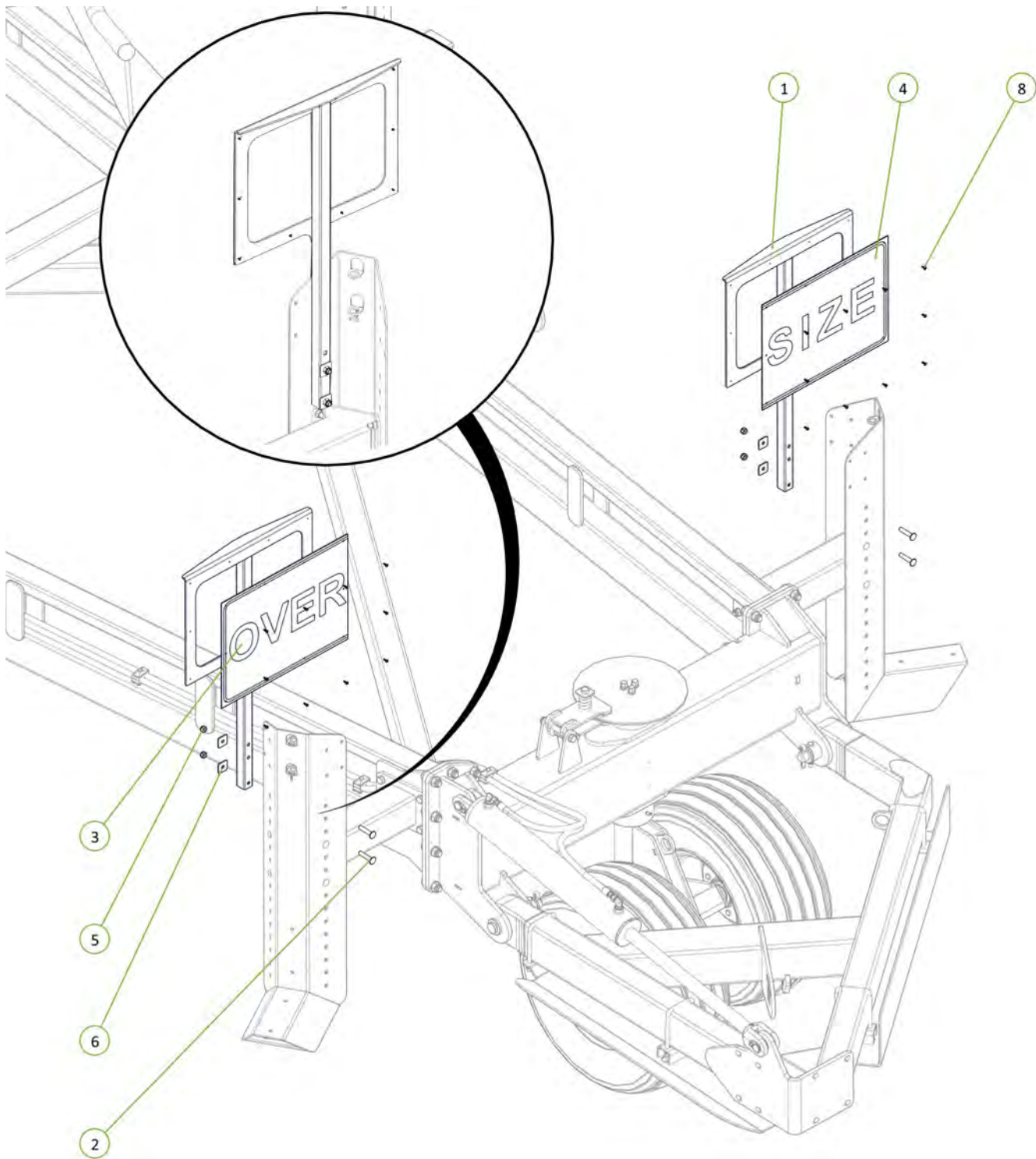
| Item No. | Description | Number | Qty |
|----------|----------------------------------|----------------|-----|
| 1 | Right Hand Off Set M | 0810-18R | 1 |
| 2 | Left Hand Off Set M | 0810-19L | 1 |
| 3 | Round Tube Insert 60.3 x 3.2-5mm | 0264-RTRi-5584 | 4 |
| 4 | U-Bolt M12 x 105 Deep x 104 Wide | 0271-12105104 | 4 |
| 5 | Washer Flat M12 | 0231-F12 | 8 |
| 6 | Nyloc Nut M12 | 0221-NYL12 | 8 |





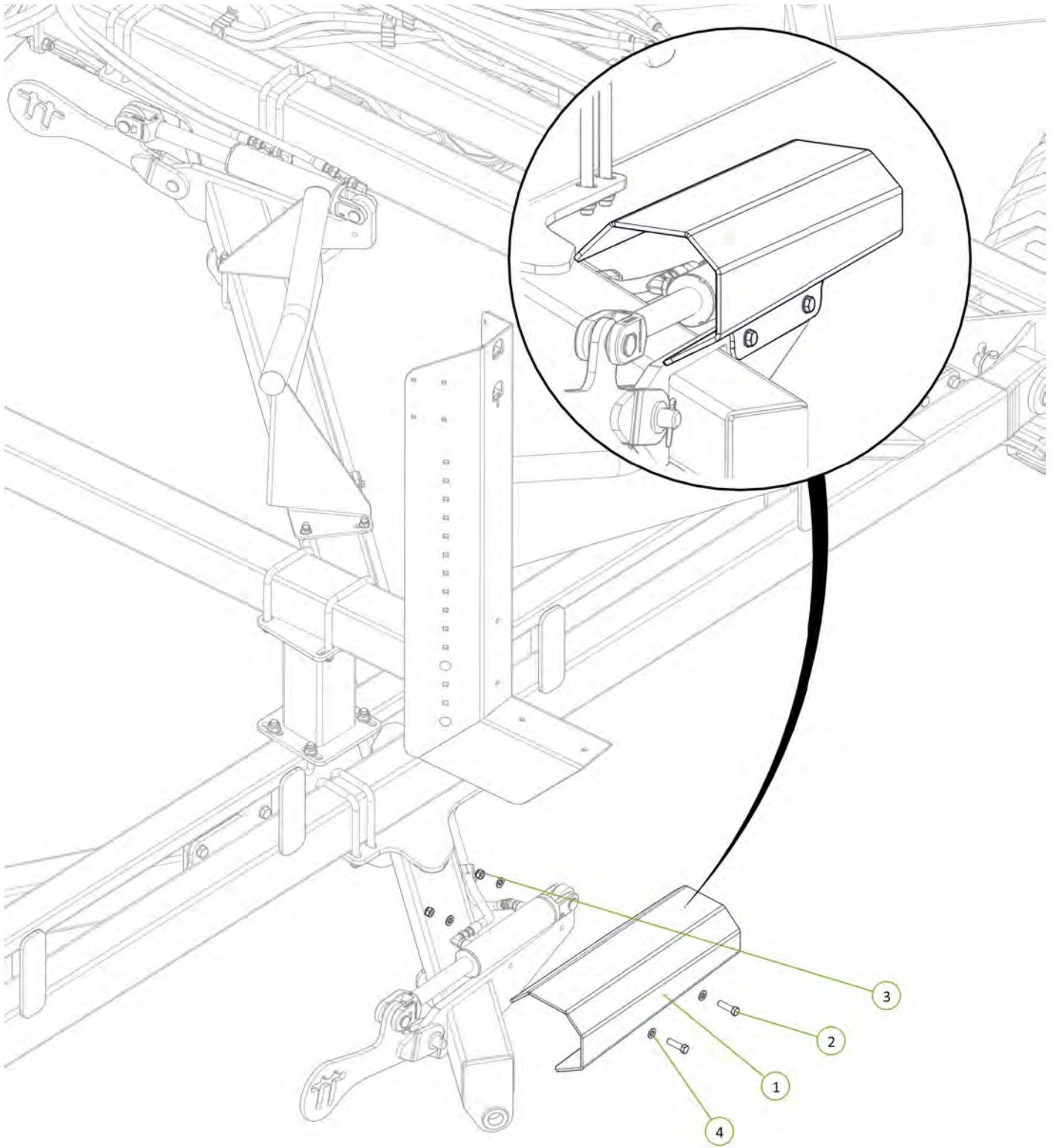
| Item No. | Description | Number | Qty |
|----------|----------------------------------|---------------|-----|
| 1 | Rear Guard 12m | 1510-229 | 1 |
| 2 | Rear Tail Guard | 1610-188 | 1 |
| 3 | U-Bolt M12 x 185 Deep x 104 Wide | 0271-12185104 | 4 |
| 4 | Washer Flat M12 | 0231-F12 | 4 |
| 5 | Nyloc Nut M12 | 0221-NYL12 | 6 |





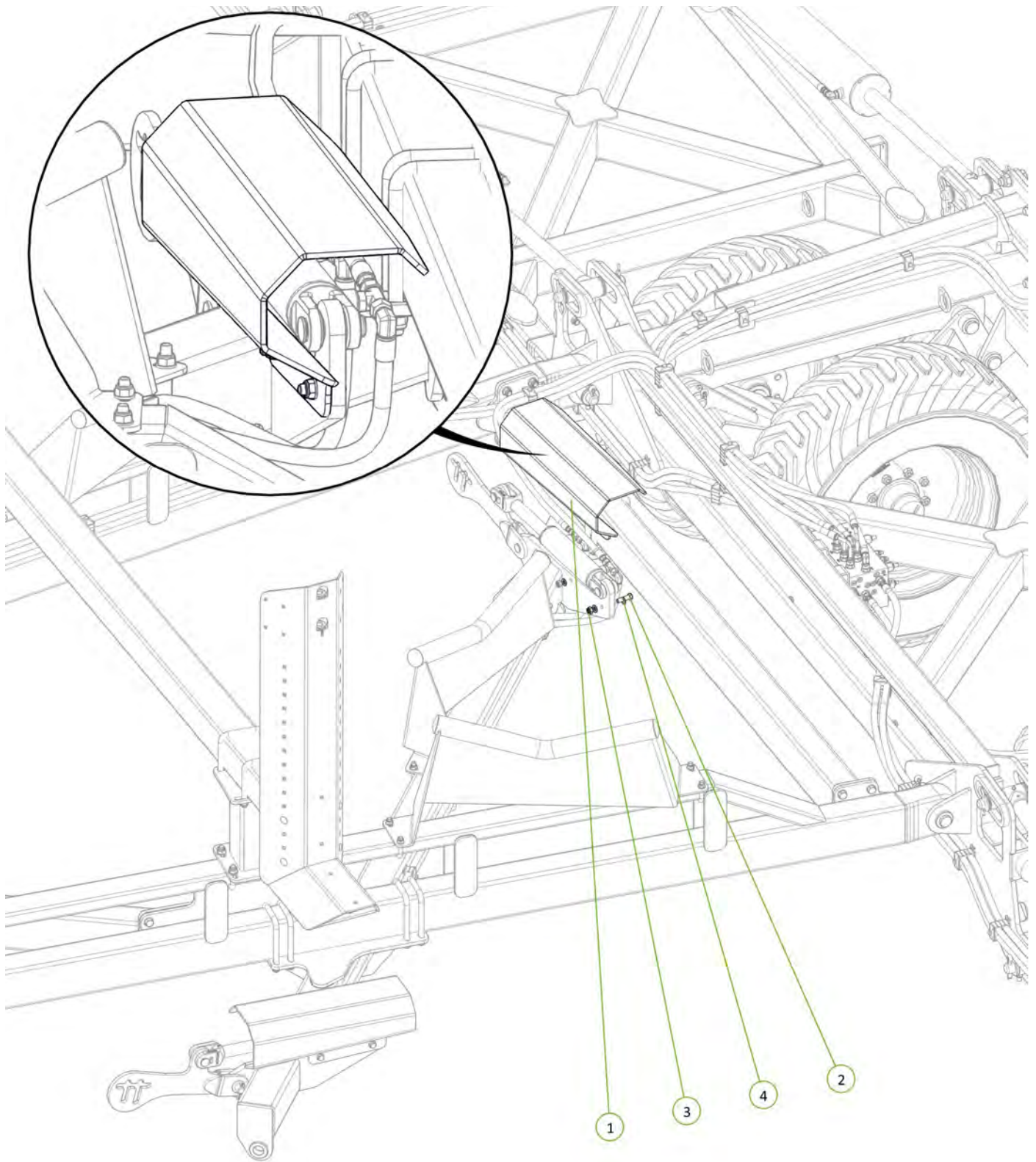
| Item No. | Description | Number | Qty |
|----------|--|--------------|-----|
| 1 | AU Oversize Sign | 0810-46 | 2 |
| 2 | M12 x 65 Coach Head Bolt | 0215-CH1265 | 4 |
| 3 | Oversize Sign Left Hand | 0801-SIGNOSL | 1 |
| 4 | Oversize Sign Right Hand | 0801-SIGNOSR | 1 |
| 5 | Nyloc Nut M12 | 0221-NYL12 | 4 |
| 6 | Washer Square M12 x 40 x 3 | 0231-SQ12403 | 4 |
| 8 | TEK Phillips Wafer Head Metal Screw 10g x 16mm | 0241-TEKWH16 | 20 |



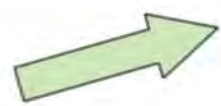


| Item No. | Description | Number | Qty |
|----------|----------------------------|------------|-----|
| 1 | Module Cylinder Guard | 0800-167.3 | 1 |
| 2 | M12 x 45 grade 8.8 ZP Bolt | 0211-1245 | 2 |
| 3 | Nyloc Nut M12 | 0221-NYL12 | 2 |
| 4 | Washer Flat M12 | 0231-F12 | 4 |

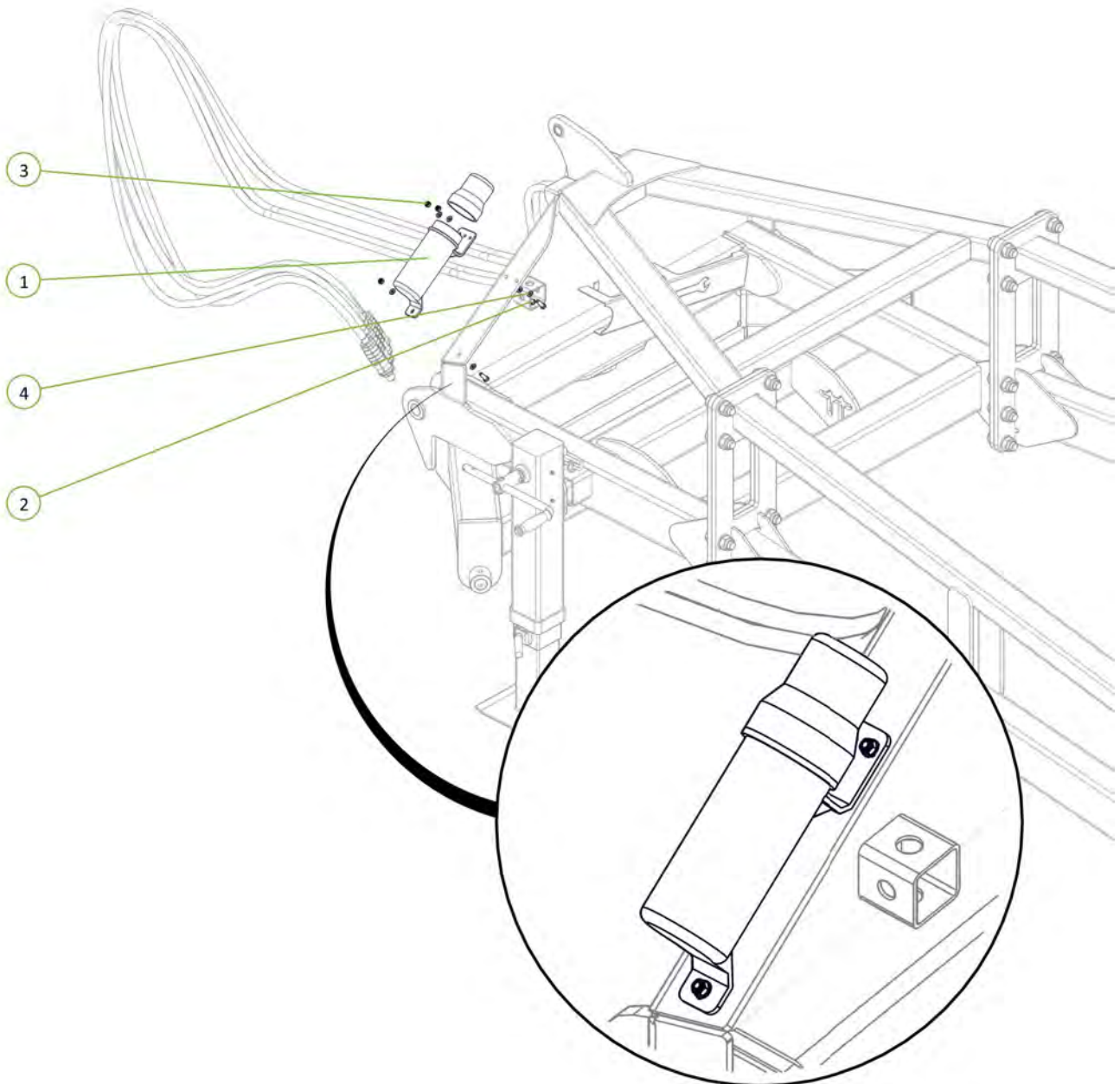
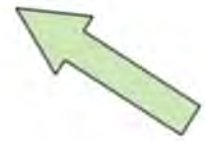




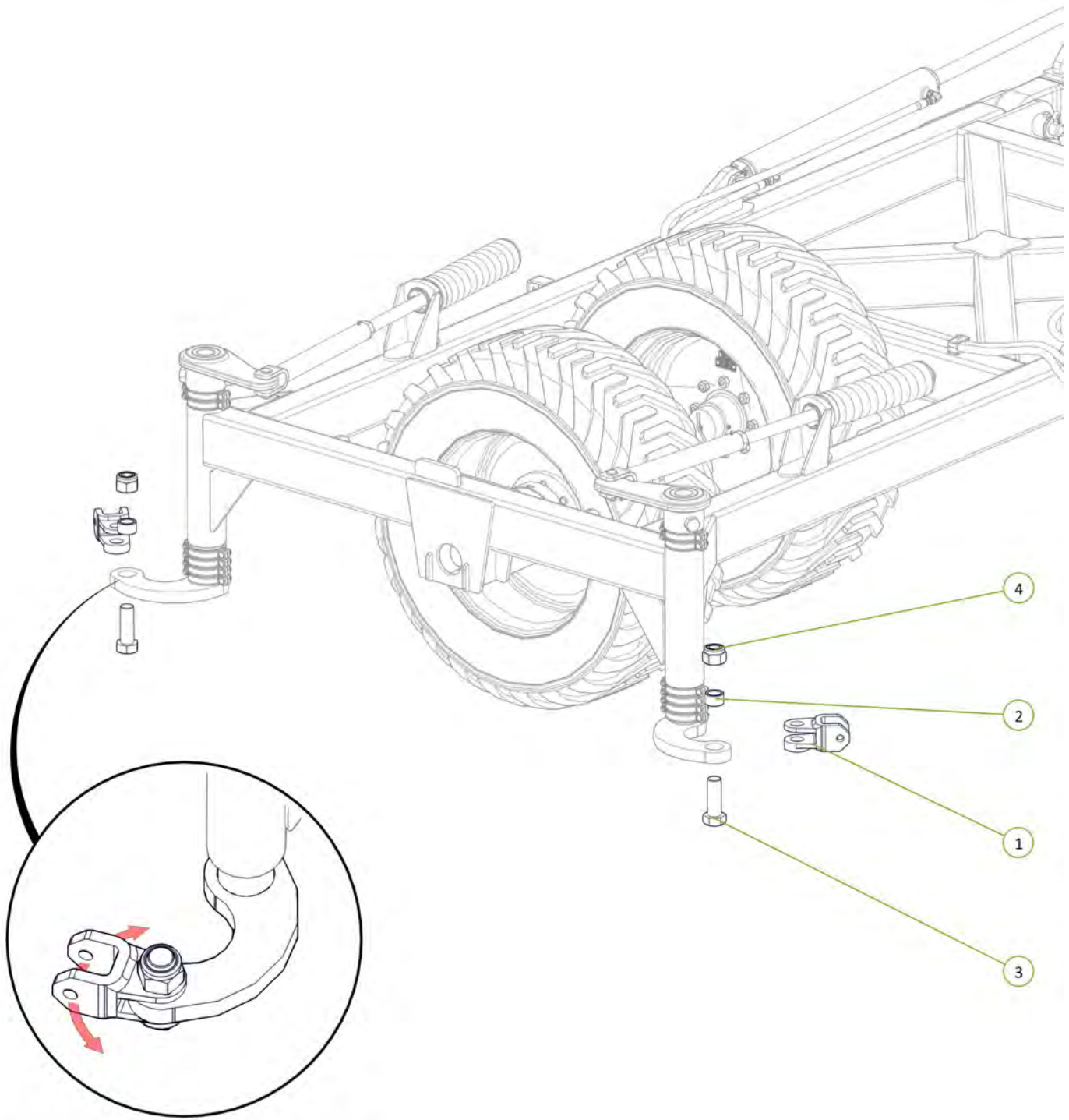
| Item No. | Description | Number | Qty |
|----------|----------------------------|------------|-----|
| 1 | Module Cylinder Guard | 0800-167.3 | 1 |
| 2 | M12 x 45 grade 8.8 ZP Bolt | 0211-1245 | 2 |
| 3 | Nyloc Nut M12 | 0221-NYL12 | 2 |
| 4 | Washer Flat M12 | 0231-F12 | 4 |



| Item No. | Description | Number | Qty |
|----------|---------------------------|------------|-----|
| 1 | Operator Manual Cannister | 0801-OMC-1 | 1 |
| 2 | M8 x 25 grade 8.8 ZP Bolt | 0211-825 | 3 |
| 3 | Nyloc Nut M8 | 0221-NYL8 | 3 |
| 4 | Washer Flat M8 | 0231-F8 | 6 |

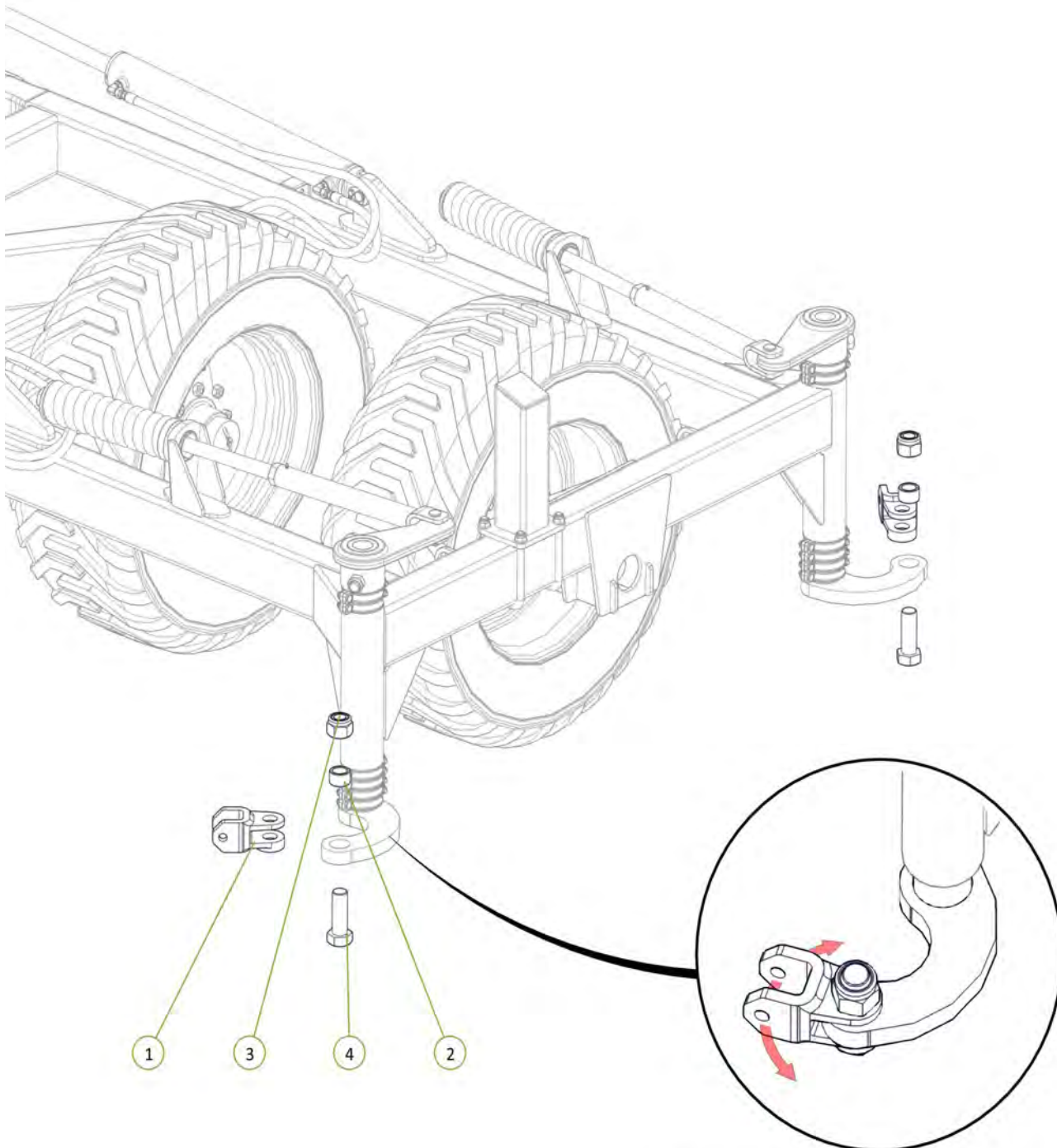


| Item No. | Description | Number | Qty |
|----------|------------------------------|----------------|-----|
| 1 | Forged Clevis 21mm Bolt Hole | 0801-FC21 | 2 |
| 2 | Stainless Steel Wear Bush | 1501-365033-SS | 2 |
| 3 | M36 x 105 grade 8.8 zp Bolt | 0211-36105 | 2 |
| 4 | Nyloc Nut M36 | 0221-NYL36 | 2 |

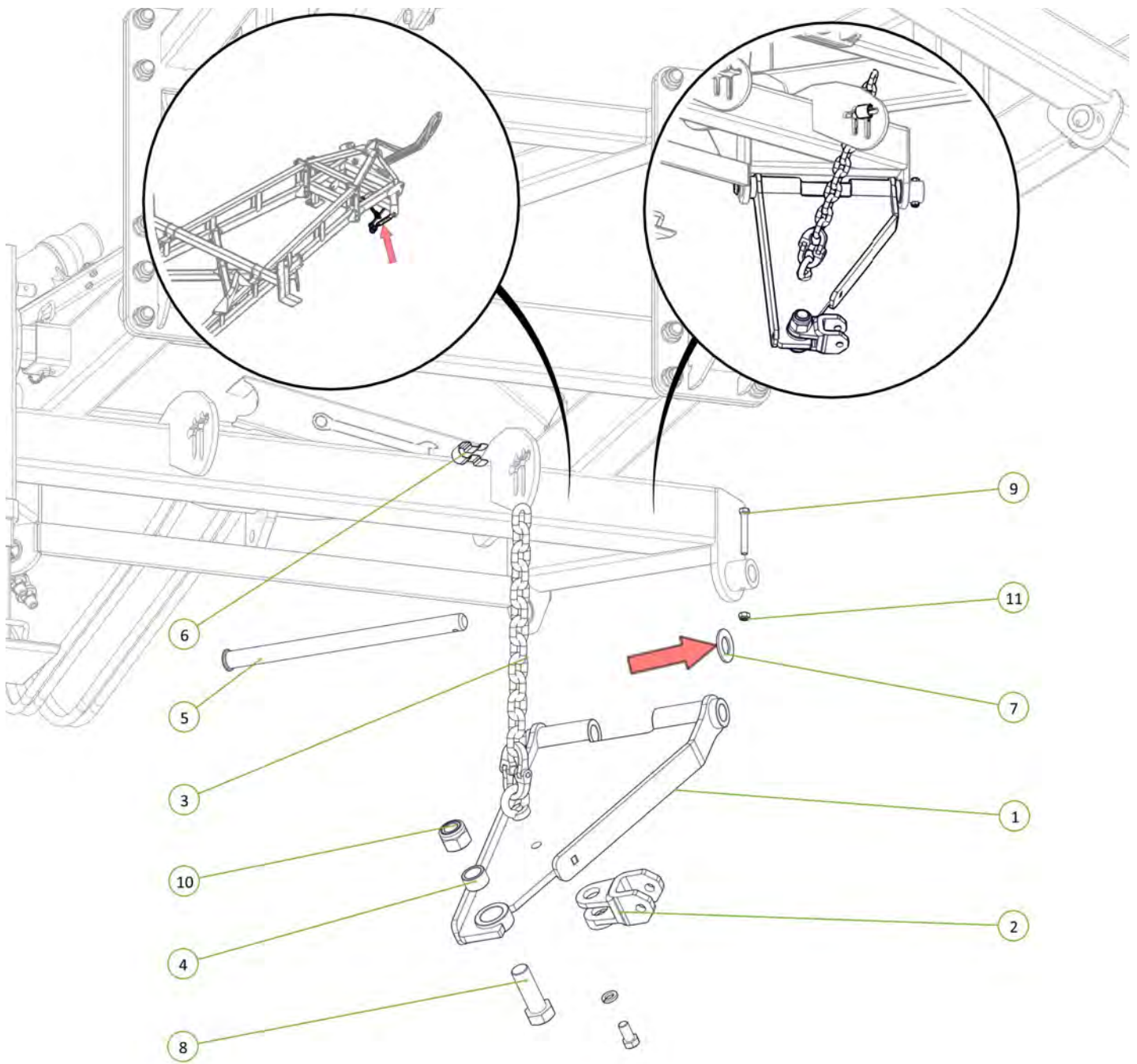


Ensure ALL clevis's can pivot after installation

| Item No. | Description | Number | Qty |
|----------|------------------------------|----------------|-----|
| 1 | Forged Clevis 21mm Bolt Hole | 0801-FC21 | 2 |
| 2 | Stainless Steel Wear Bush | 1501-365033-SS | 2 |
| 3 | Nyloc Nut M36 | 0221-NYL36 | 2 |
| 4 | M36 x 105 grade 8.8 zp Bolt | 0211-36105 | 2 |

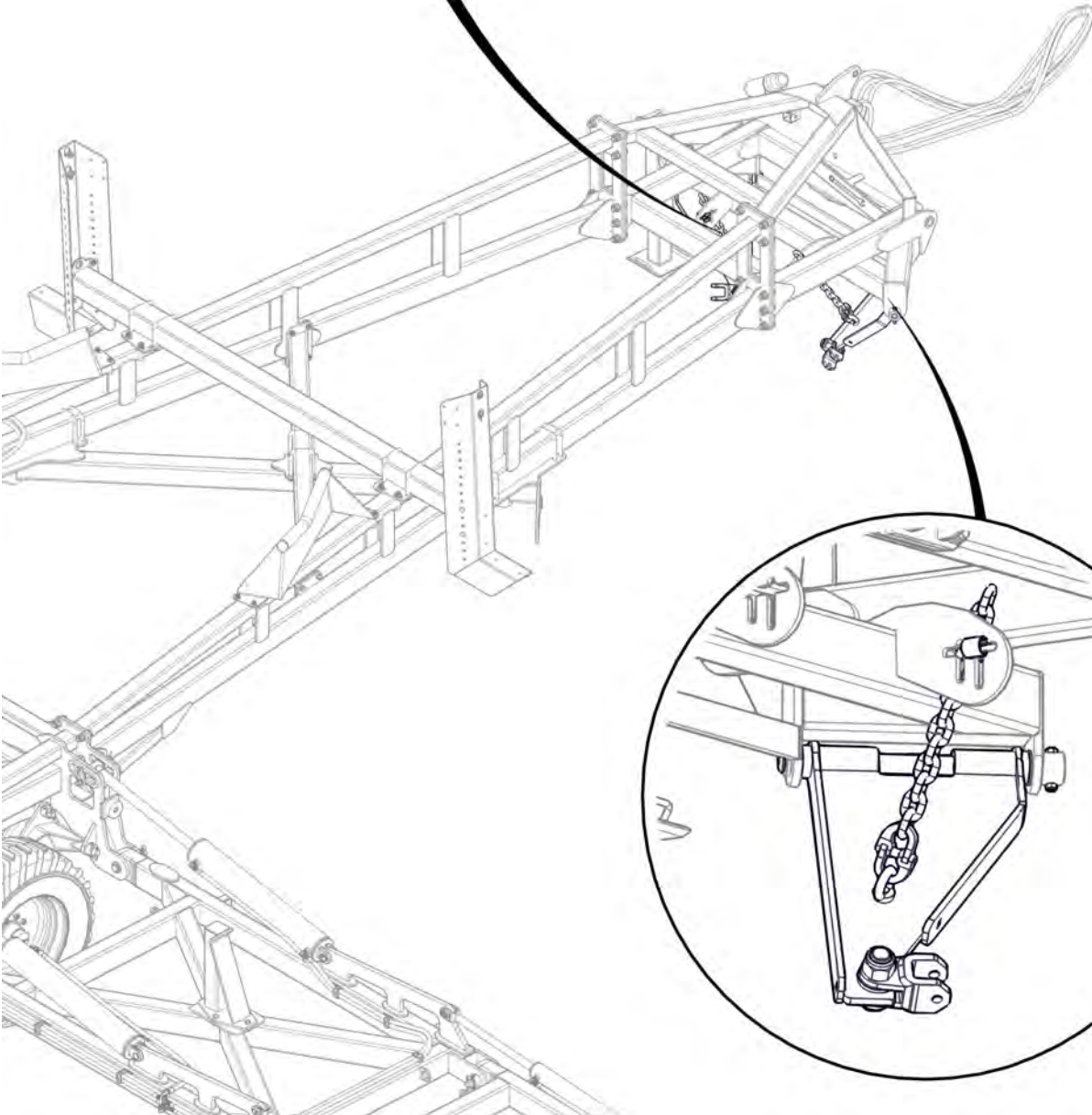
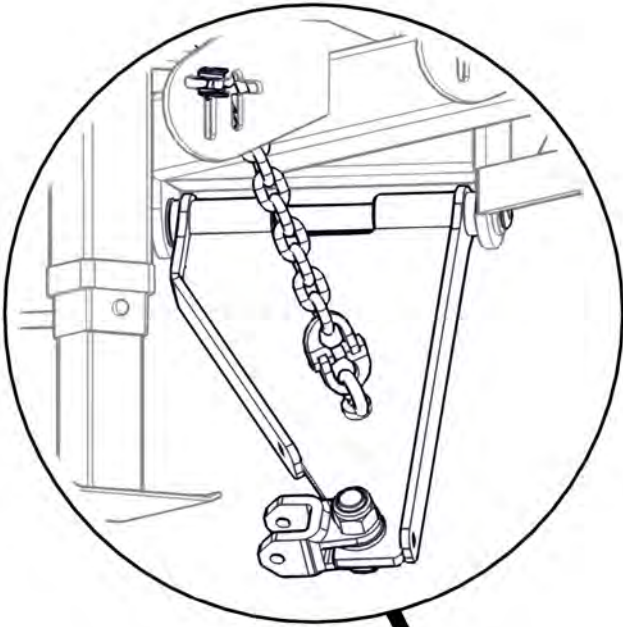


Ensure ALL clevis's can pivot after installation

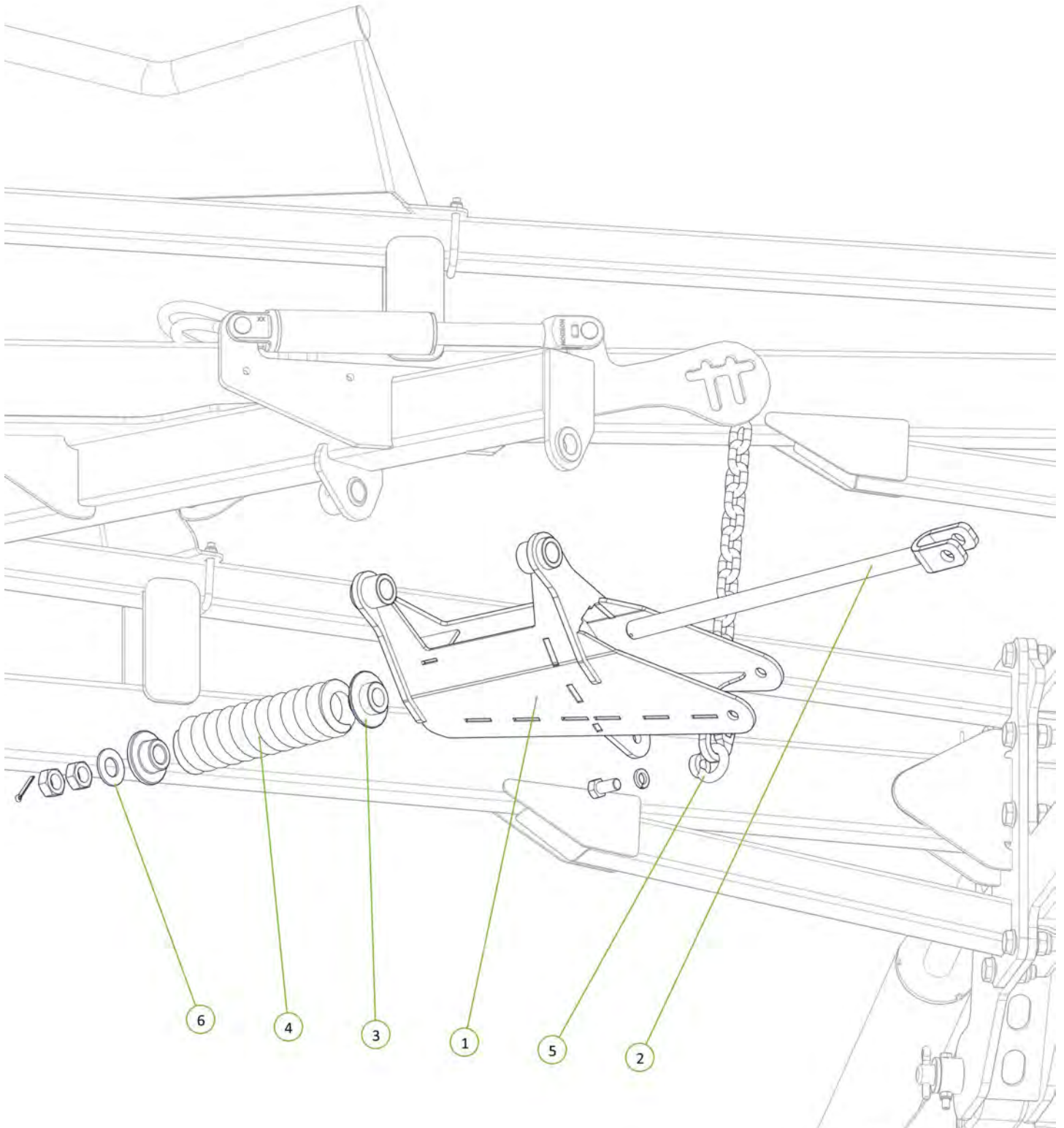
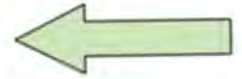


| Item No. | Description | Number | Qty |
|----------|---|----------------|-----|
| 1 | Standard Chain Mount Plate | 1610-20 | 1 |
| 2 | Forged Clevis 21mm Bolt Hole | 0801-FC21 | 1 |
| 3 | Height Adjusting Chain Assembly 13 Link | 0801-20MCA | 1 |
| 4 | Stainless Steel Wear Bush | 1501-365033-SS | 1 |
| 5 | Chain Mount Pivot Pin | 0801-10-51 | 1 |
| 6 | Height Adjuster Retaining Clip | 0801-KE014 | 1 |
| 7 | Washer High Tensile 1 3/8" | 0232-HT13-8 | 1 |
| 8 | M36 x 105 grade 8.8 zp Bolt | 0211-36105 | 1 |
| 9 | M12 x 90 Class 10.9 ZP Bolt | 0211-1290HT | 1 |
| 10 | Nyloc Nut M36 | 0221-NYL36 | 1 |
| 11 | Nyloc Nut M12 | 0221-NYL12 | 1 |

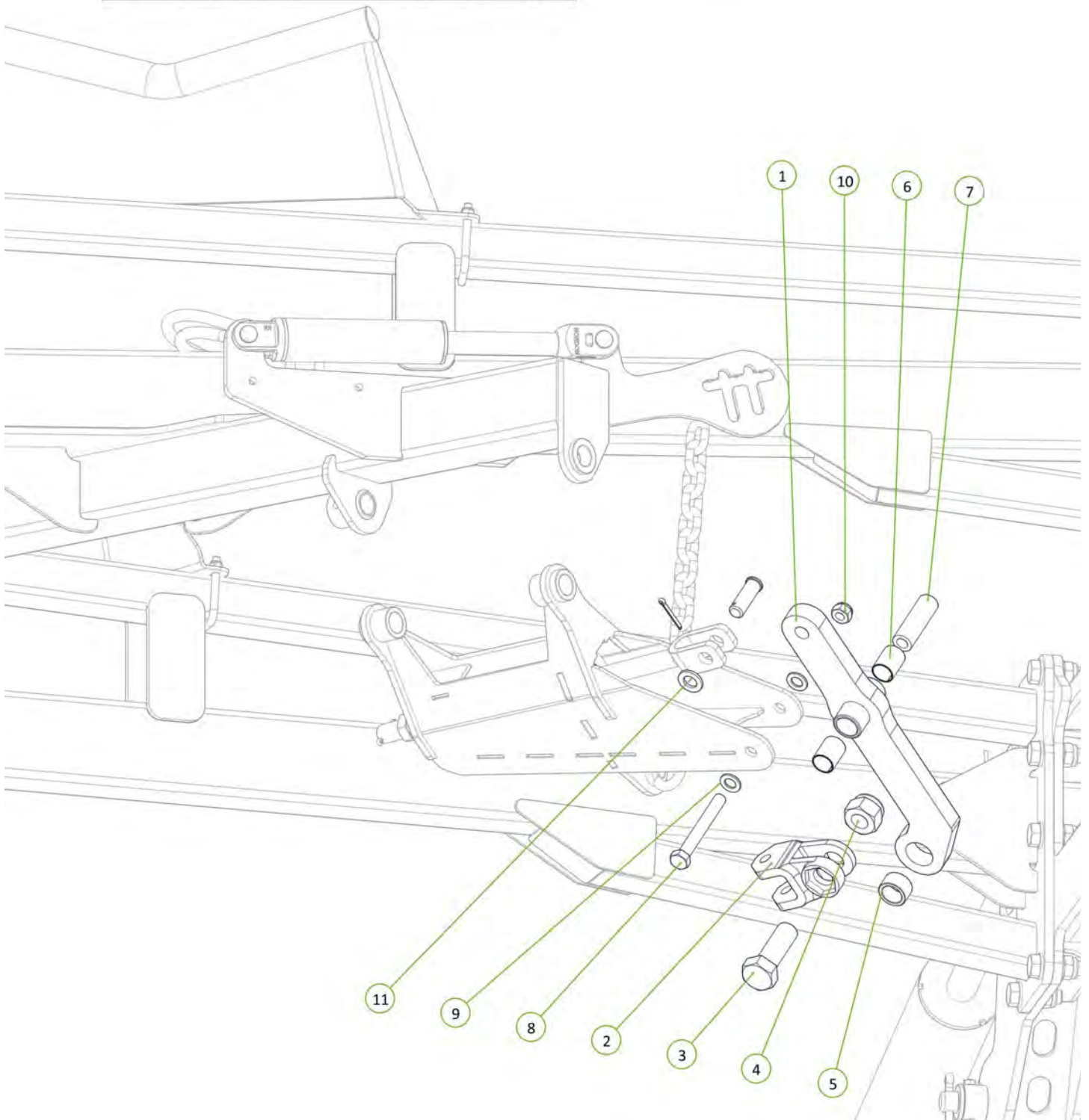




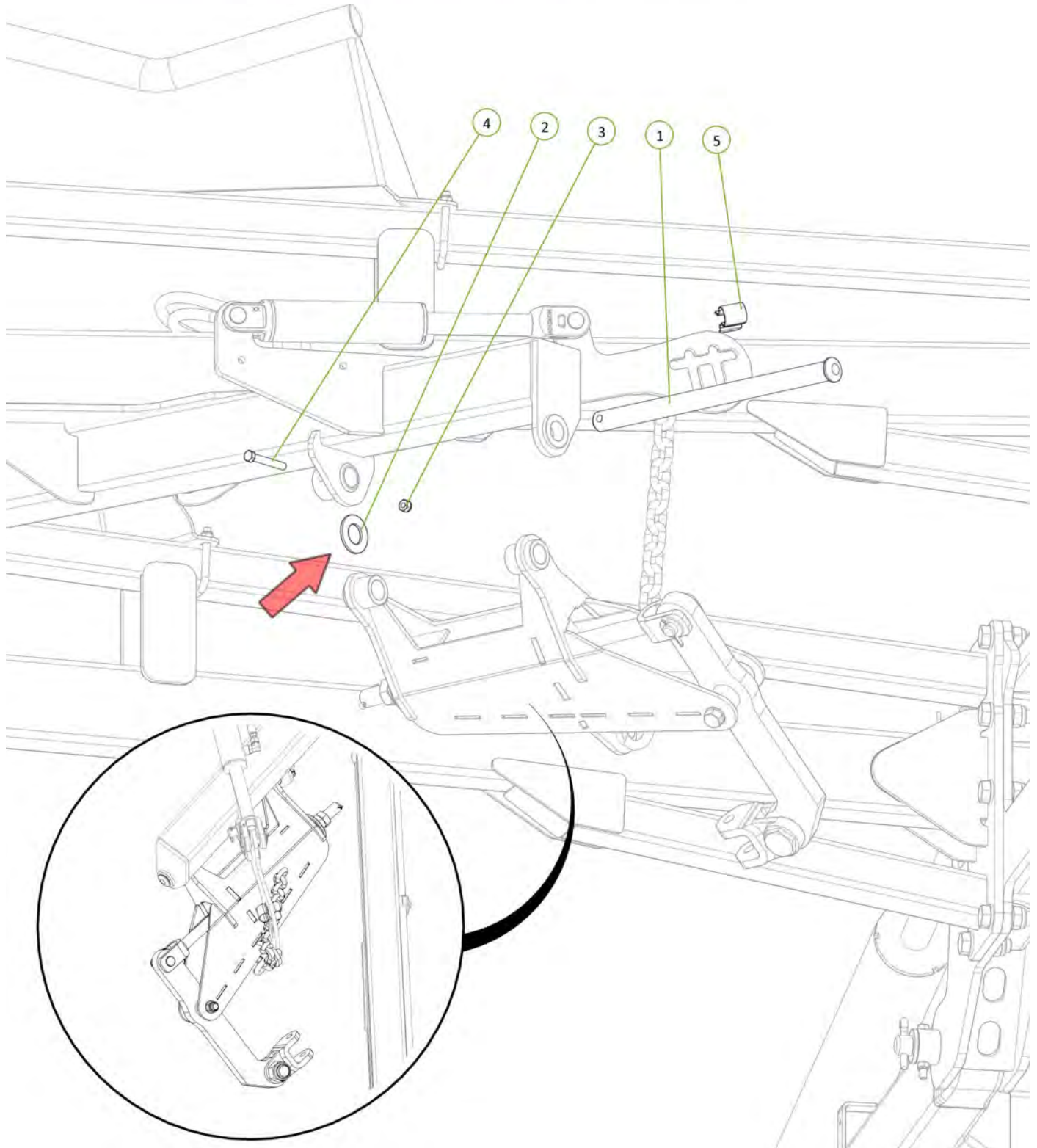
| Item No. | Description | Number | Qty |
|----------|---|---------------|-----|
| 1 | Tension Box | 0810-57 | 1 |
| 2 | Module Tension Rod Assembly | 0810-105A | 1 |
| 3 | Rigid Spring Locator | 0801-10-S2L | 1 |
| 4 | Heavy Duty Coil Spring 24mm | 0801-K2455350 | 1 |
| 5 | Height Adjusting Chain Assembly 13 Link | 0801-20MCA | 1 |
| 6 | Washer High Tensile 1 1/4" | 0232-HT11-4 | 1 |

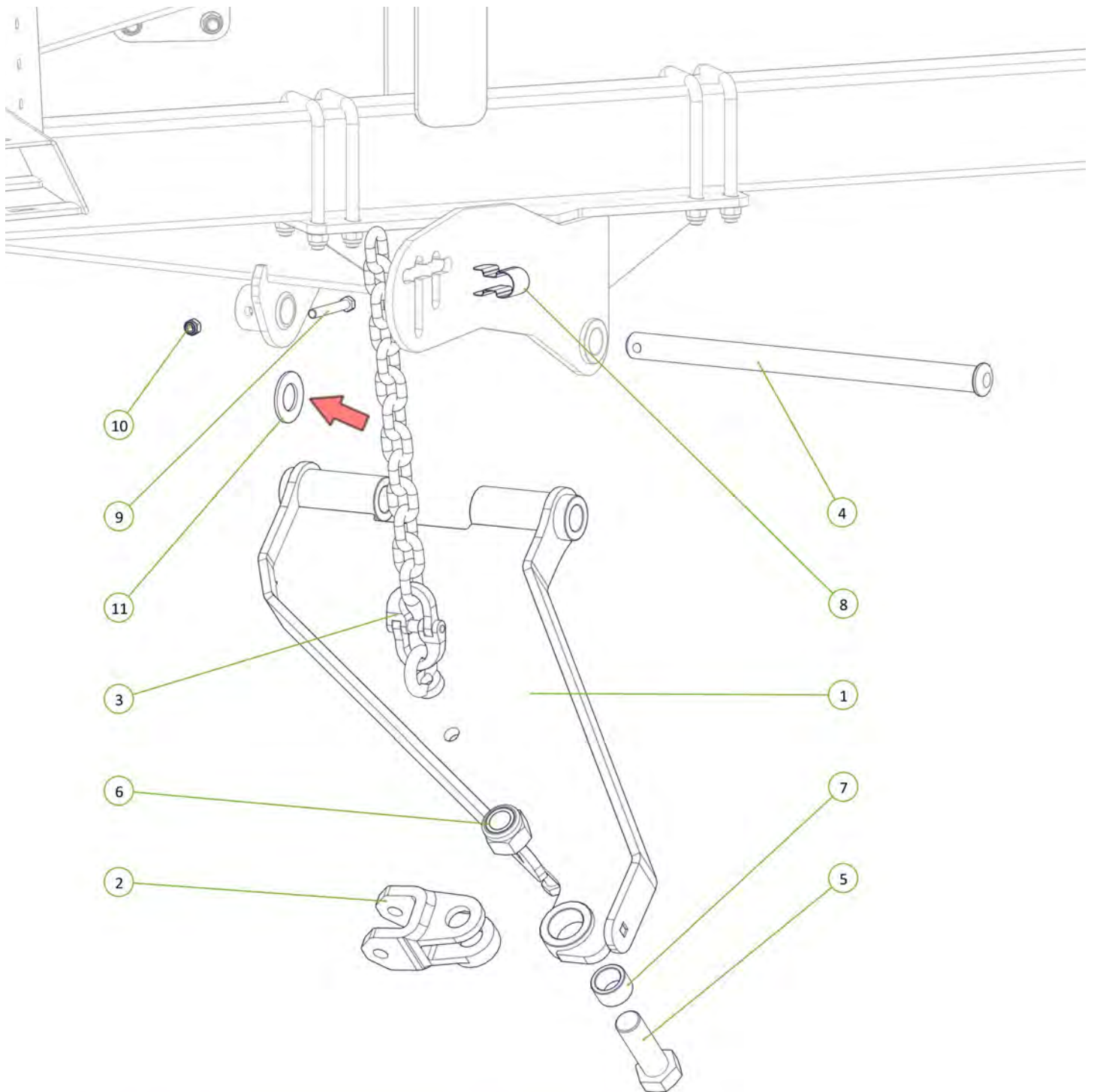


| Item No. | Description | Number | Qty |
|----------|------------------------------|----------------|-----|
| 1 | Module Tension Arm No Clevis | 0810-104 | 1 |
| 2 | Forged Clevis 21mm Bolt Hole | 0801-FC21 | 1 |
| 3 | M36 x 105 Class 8.8 ZP Bolt | 0211-36105 | 1 |
| 4 | Nyloc Nut M36 | 0221-NYL36 | 1 |
| 5 | Wear Bush | 1501-365033-SS | 1 |
| 6 | 35 ID x 50mm DU Bush | 0113-MB3550DU | 2 |
| 7 | Module Pivot Arm Bush | 0801-10-110 | 1 |
| 8 | M20 x 160 Class 8.8 ZP Bolt | 0211-20160 | 1 |
| 9 | Washer Flat M20 | 0231-F20 | 2 |
| 10 | Nyloc Nut M20 | 0221-NYL20 | 1 |
| 11 | Washer Flat M24 | 0231-F24 | 1 |



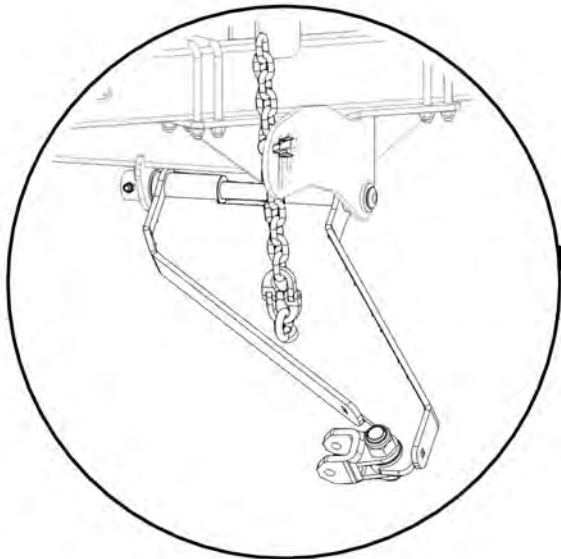
| Item No. | Description | Number | Qty |
|----------|--------------------------------|-------------|-----|
| 1 | Chain Mount Pivot Pin | 0801-10-51 | 1 |
| 2 | Washer High Tensile 1 3/8" | 0232-HT13-8 | 1 |
| 3 | Nyloc Nut M12 | 0221-NYL12 | 1 |
| 4 | M12 x 90 Class 10.9 ZP Bolt | 0211-1290HT | 1 |
| 5 | Height Adjustor Retaining Clip | 0801-KE014 | 1 |



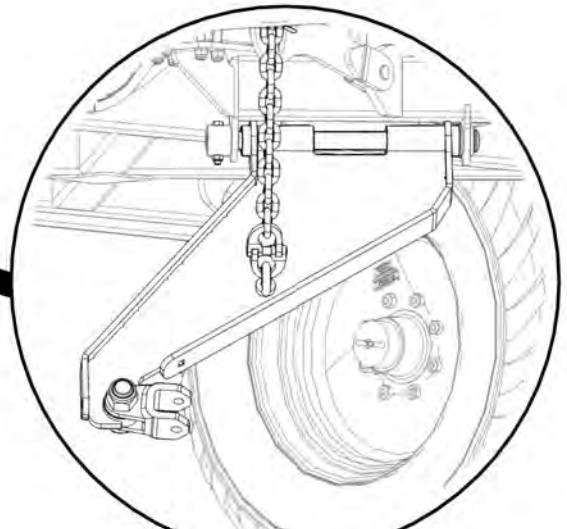
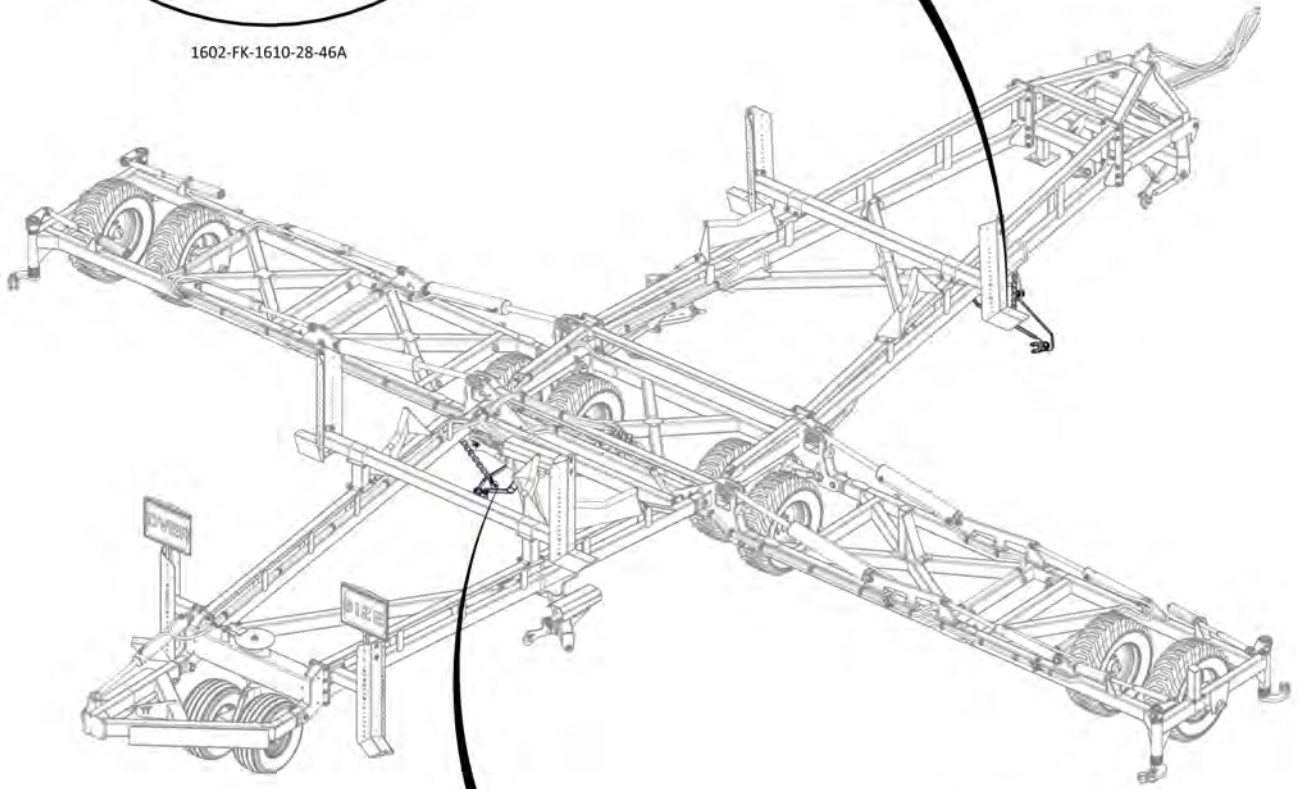


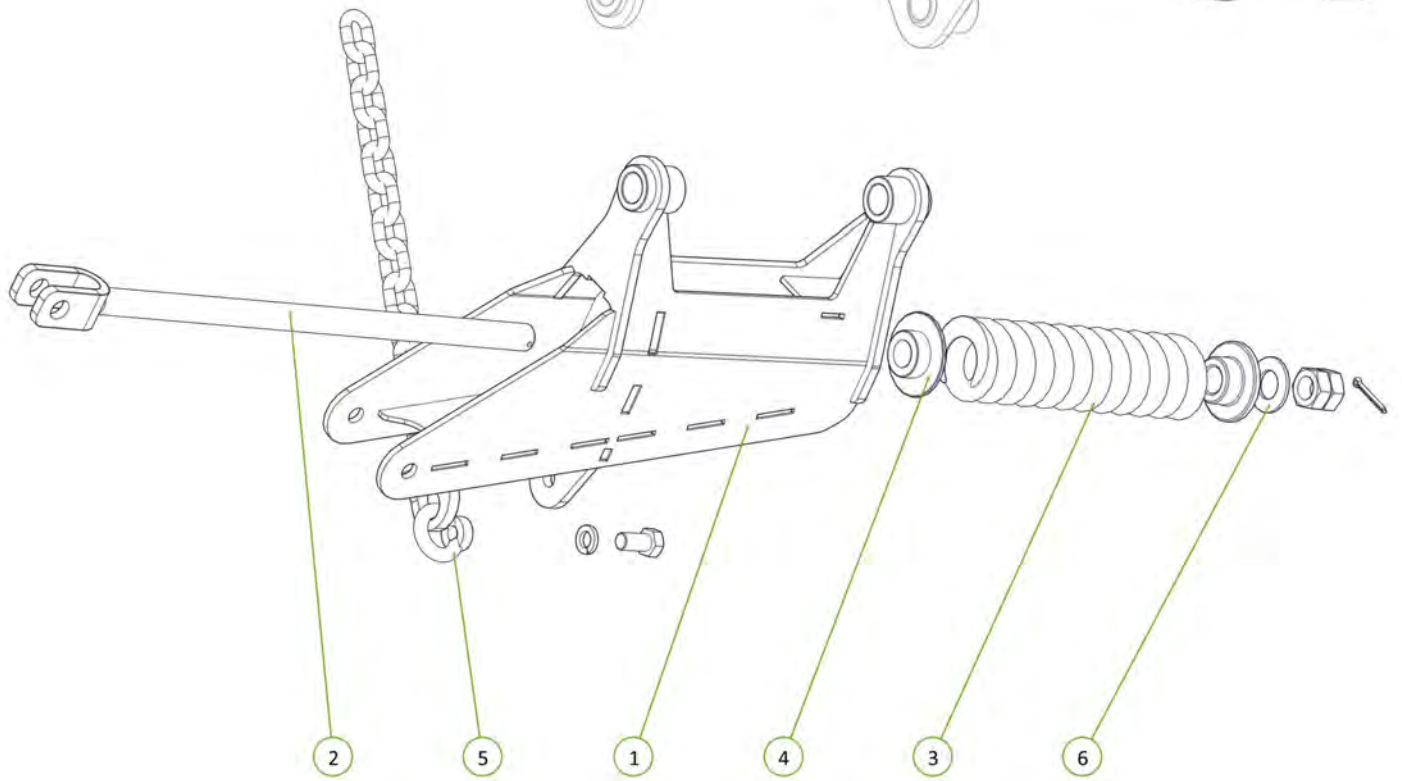
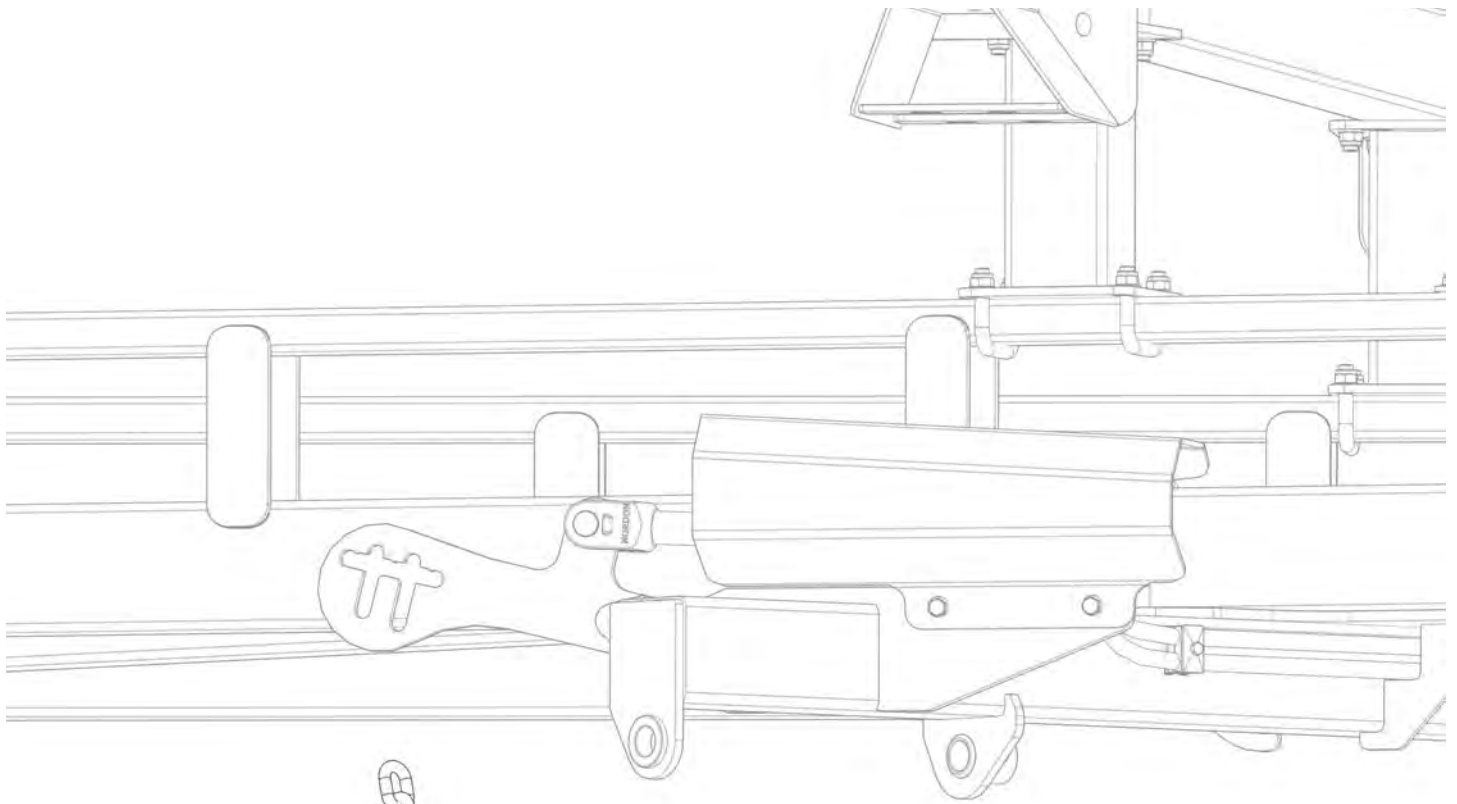
| Item No. | Description | Number | Qty |
|----------|---|----------------|-----|
| 1 | Extended Chain Mount Plate | 1610-21 | 1 |
| 2 | Forged Clevis 21mm Bolt Hole | 0801-FC21 | 1 |
| 3 | Height Adjusting Chain Assembly 13 Link | 0801-20MCA | 1 |
| 4 | Chain Mount Pivot Pin | 0801-10-51 | 1 |
| 5 | M36 x 105 Class 8.8 ZP Bolt | 0211-36105 | 1 |
| 6 | Nyloc Nut M36 | 0221-NYL36 | 1 |
| 7 | Wear Bush | 1501-365033-SS | 1 |
| 8 | Height Adjustor Retaining Clip | 0801-KE014 | 1 |
| 9 | M12 x 90 Class 10.9 ZP Bolt | 0211-1290HT | 1 |
| 10 | Nyloc Nut M12 | 0221-NYL12 | 1 |
| 11 | Washer High Tensile 1 3/8" | 0232-HT13-8 | 1 |



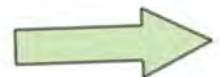


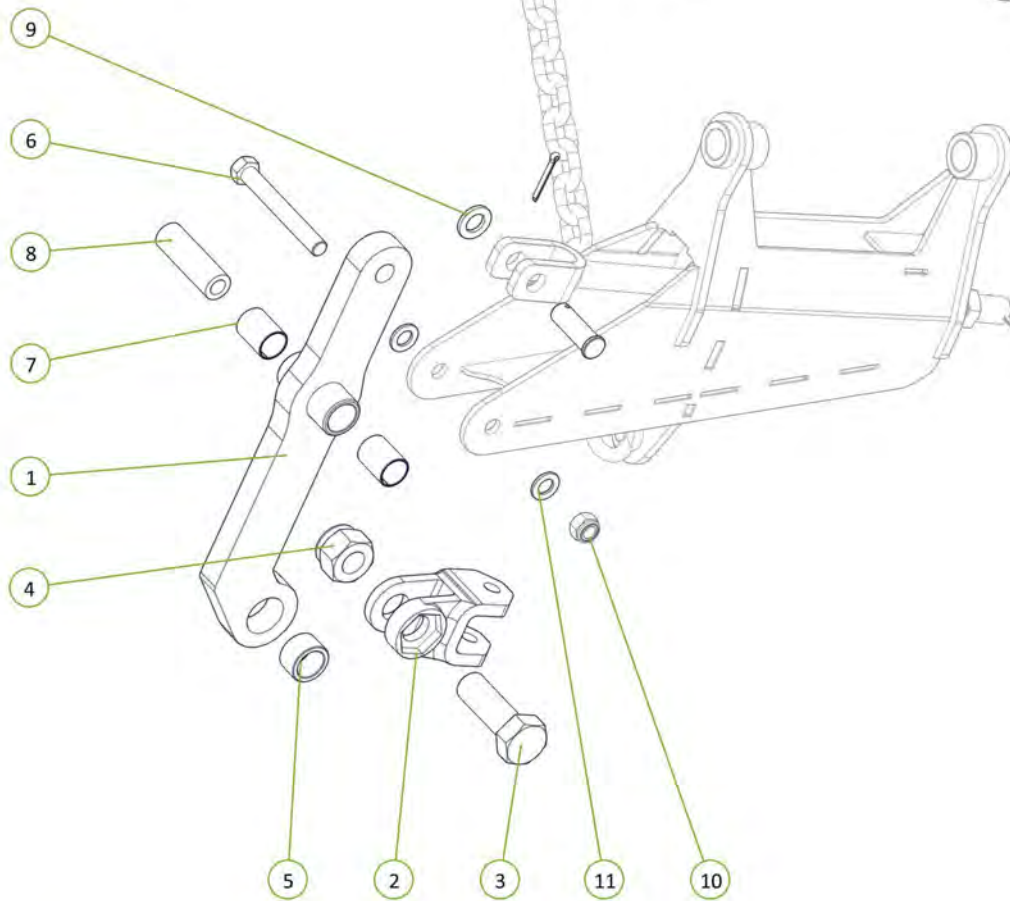
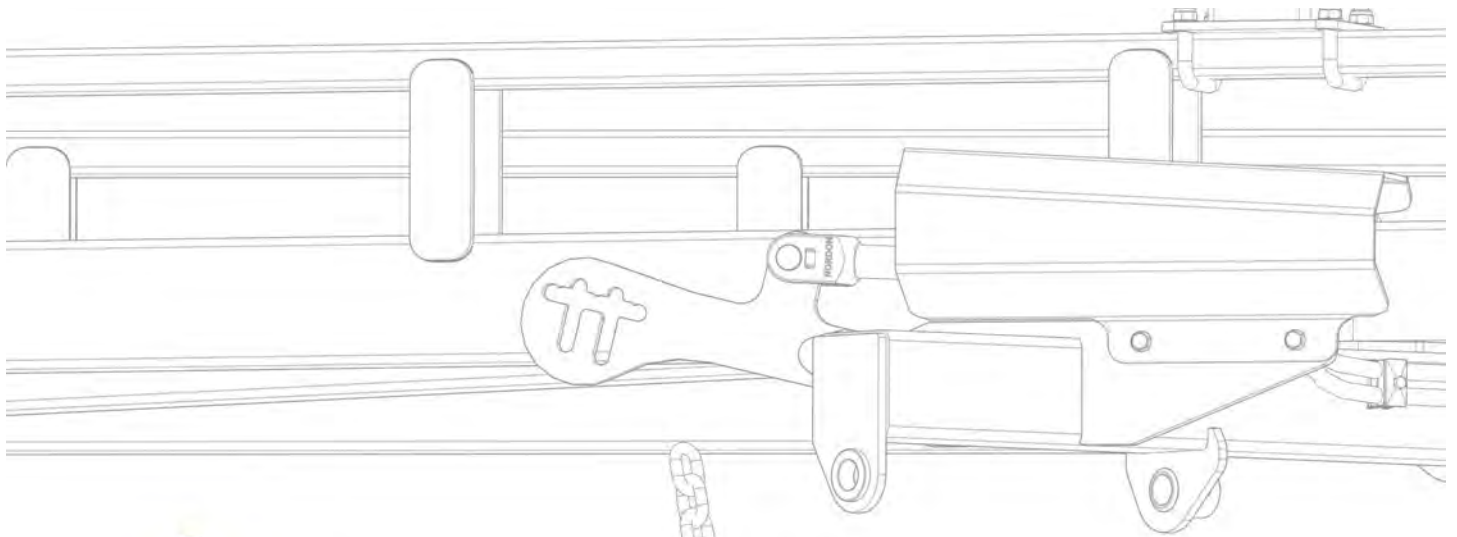
1602-FK-1610-28-46A





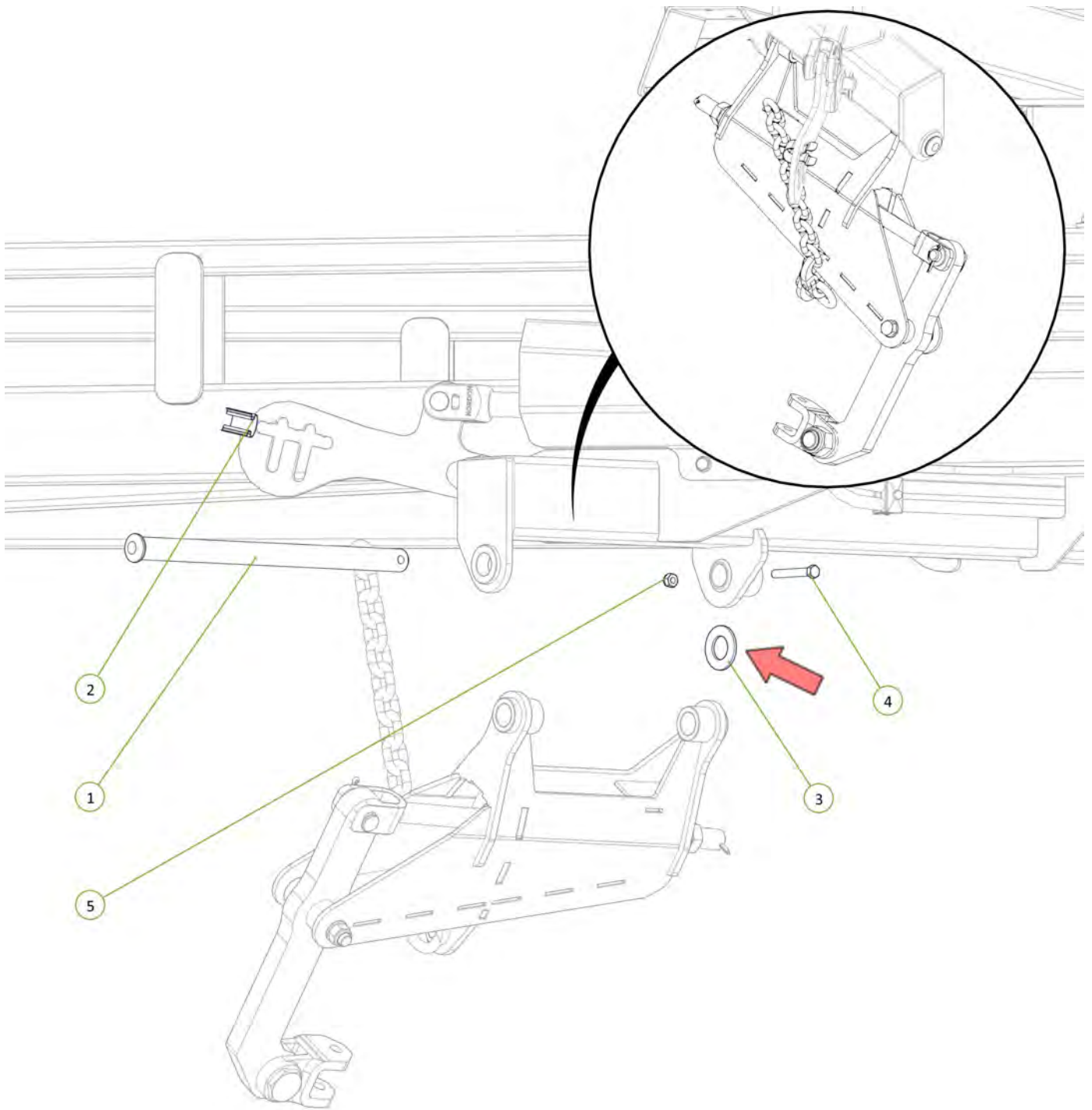
| Item No. | Description | Number | Qty |
|----------|---|---------------|-----|
| 1 | Tension Box | 0810-57 | 1 |
| 2 | Module Tension Rod Assembly | 0810-105A | 1 |
| 3 | Heavy Duty Coil Spring 24mm | 0801-K2455350 | 1 |
| 4 | Rigid Spring Locator | 0801-10-S2L | 1 |
| 5 | Height Adjusting Chain Assembly 13 Link | 0801-20MCA | 1 |
| 6 | Washer High Tensile 1 1/4" | 0232-HT11-4 | 1 |





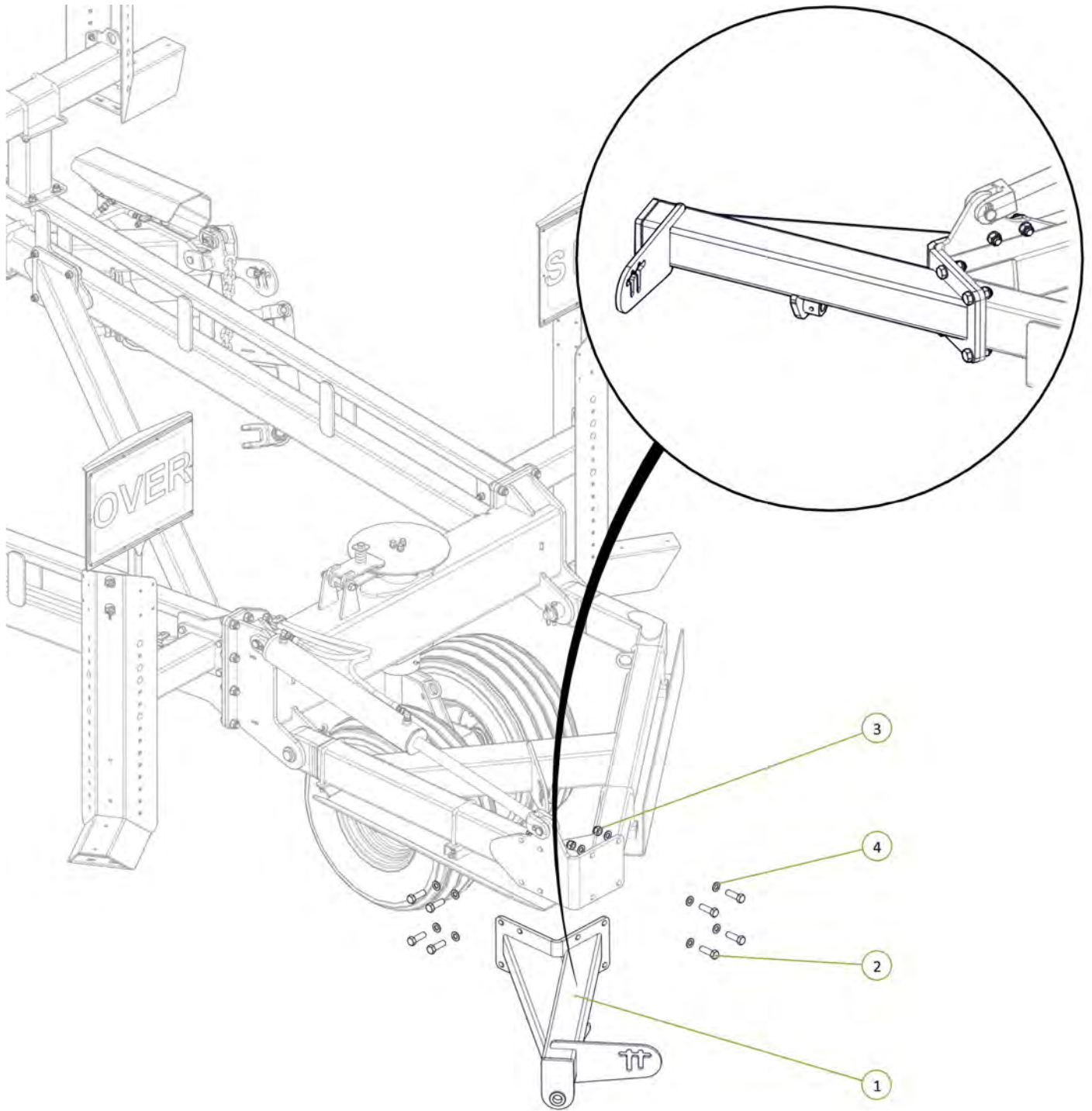
| Item No. | Description | Number | Qty |
|----------|------------------------------|----------------|-----|
| 1 | Module Tension Arm No Clevis | 0810-104 | 1 |
| 2 | Forged Clevis 21mm Bolt Hole | 0801-FC21 | 1 |
| 3 | M36 x 105 Class 8.8 ZP Bolt | 0211-36105 | 1 |
| 4 | Nyloc Nut M36 | 0221-NYL36 | 1 |
| 5 | Wear Bush | 1501-365033-SS | 1 |
| 6 | M20 x 160 Class 8.8 ZP Bolt | 0211-20160 | 1 |
| 7 | 35 ID x 50mm DU Bush | 0113-MB3550DU | 2 |
| 8 | Module Pivot Arm Bush | 0801-10-110 | 1 |
| 9 | Washer Flat M24 | 0231-F24 | 1 |
| 10 | Nyloc Nut M20 | 0221-NYL20 | 1 |
| 11 | Washer Flat M20 | 0231-F20 | 2 |





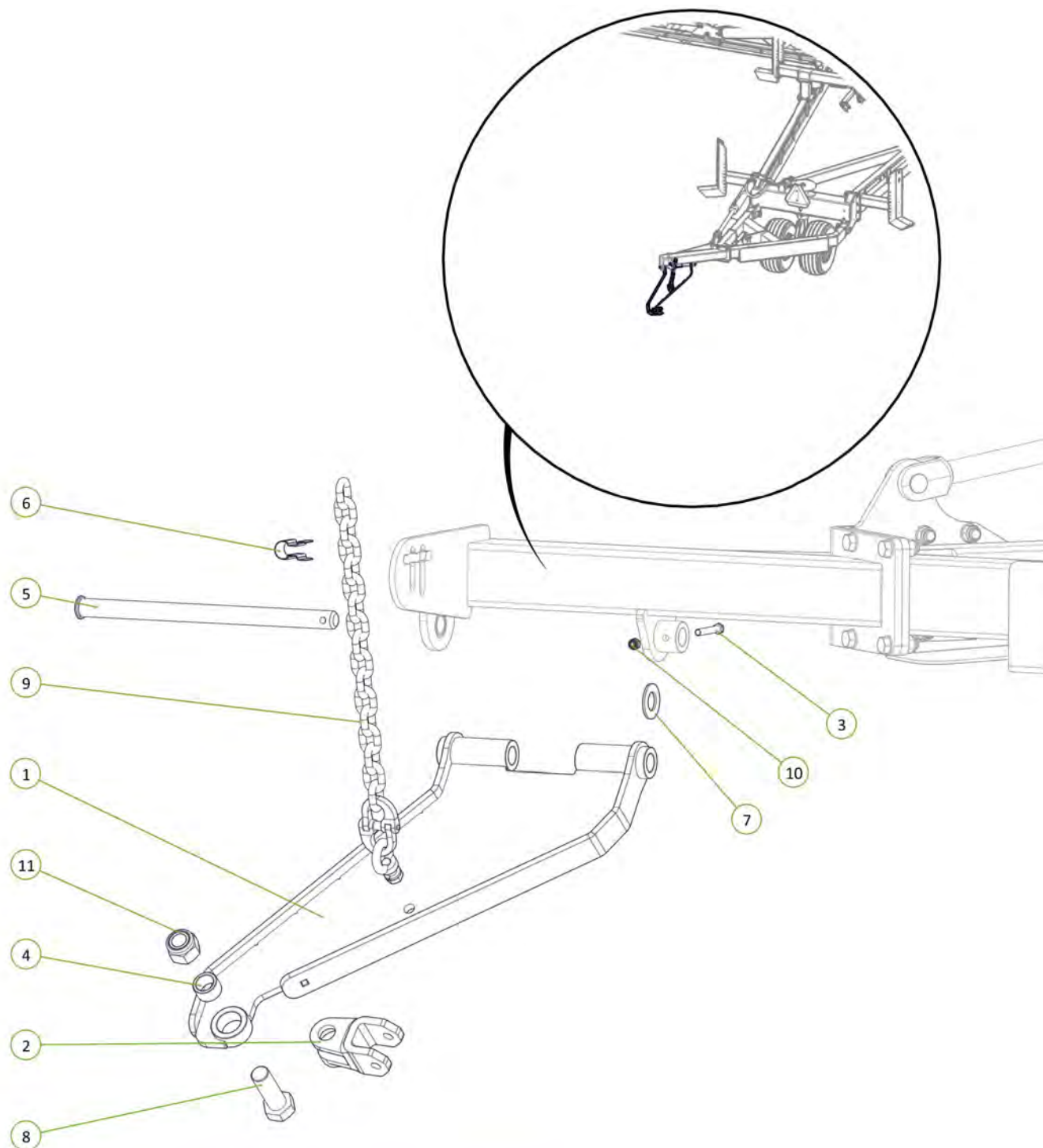
| Item No. | Description | Number | Qty |
|----------|--------------------------------|-------------|-----|
| 1 | Chain Mount Pivot Pin | 0801-10-51 | 1 |
| 2 | Height Adjustor Retaining Clip | 0801-KE014 | 1 |
| 3 | Washer High Tensile 1 3/8" | 0232-HT13-8 | 1 |
| 4 | M12 x 90 Class 10.9 ZP Bolt | 0211-1290HT | 1 |
| 5 | Nyloc Nut M12 | 0221-NYL12 | 1 |





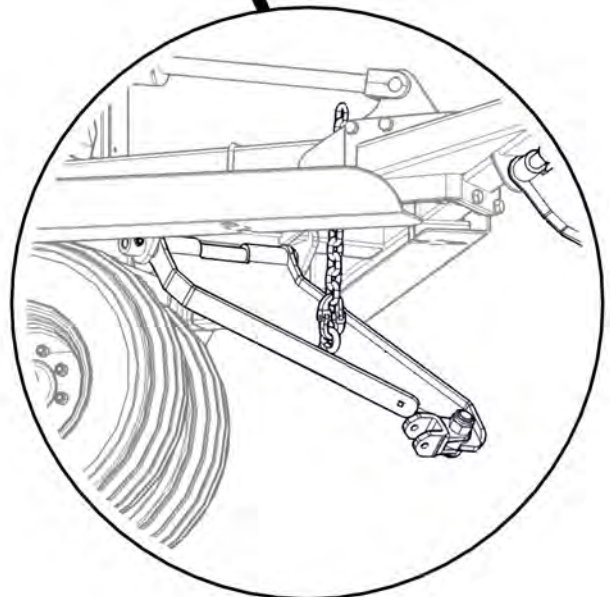
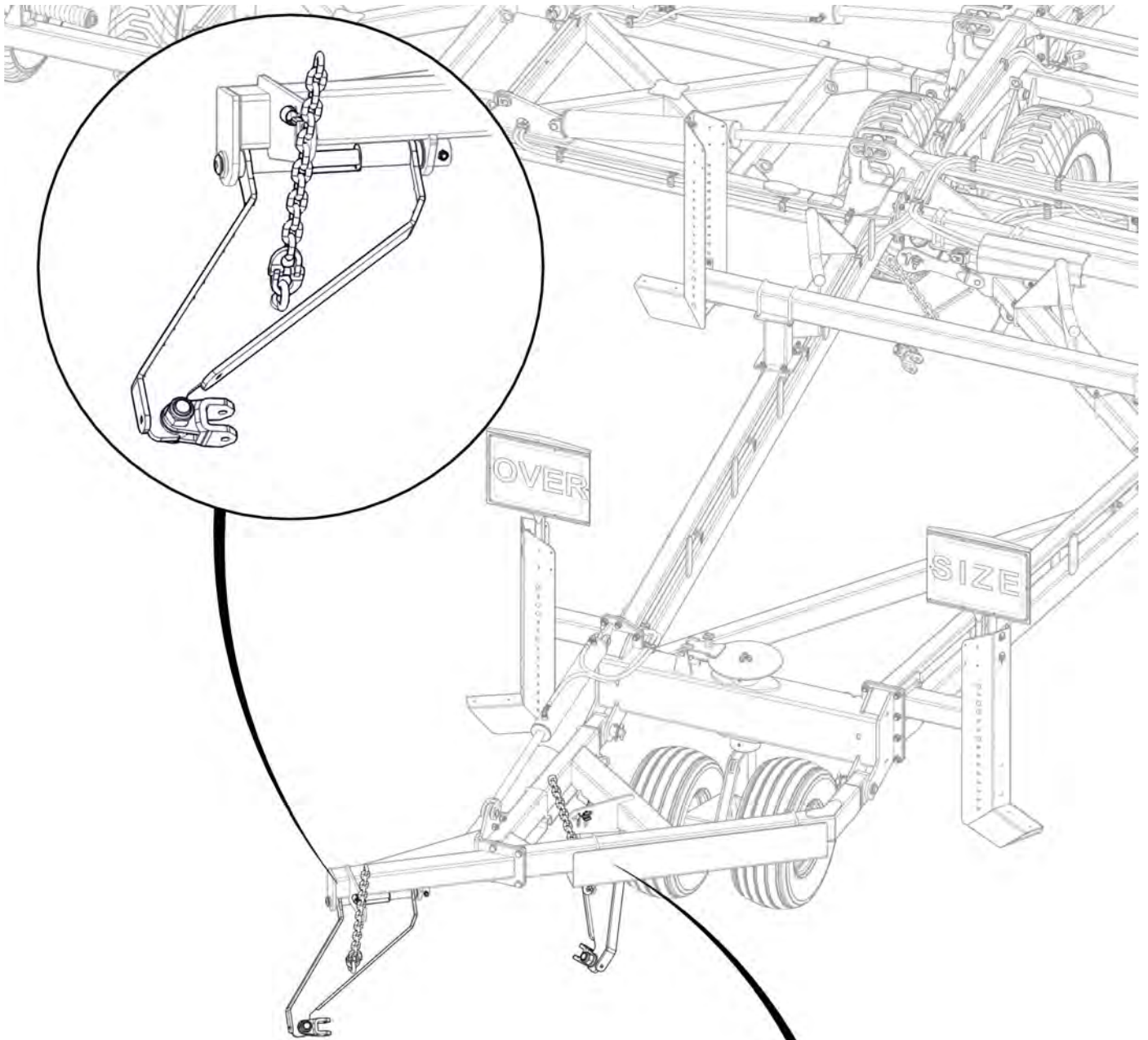
| Item No. | Description | Number | Qty |
|----------|----------------------------|------------|-----|
| 1 | Tail Extension | 1510-40ST | 1 |
| 2 | M20 x 65 Class 8.8 ZP Bolt | 0211-20 | 8 |
| 3 | Nyloc Nut M20 | 0221-NYL20 | 8 |
| 4 | Washer Flat M20 | 0231-F20 | 16 |



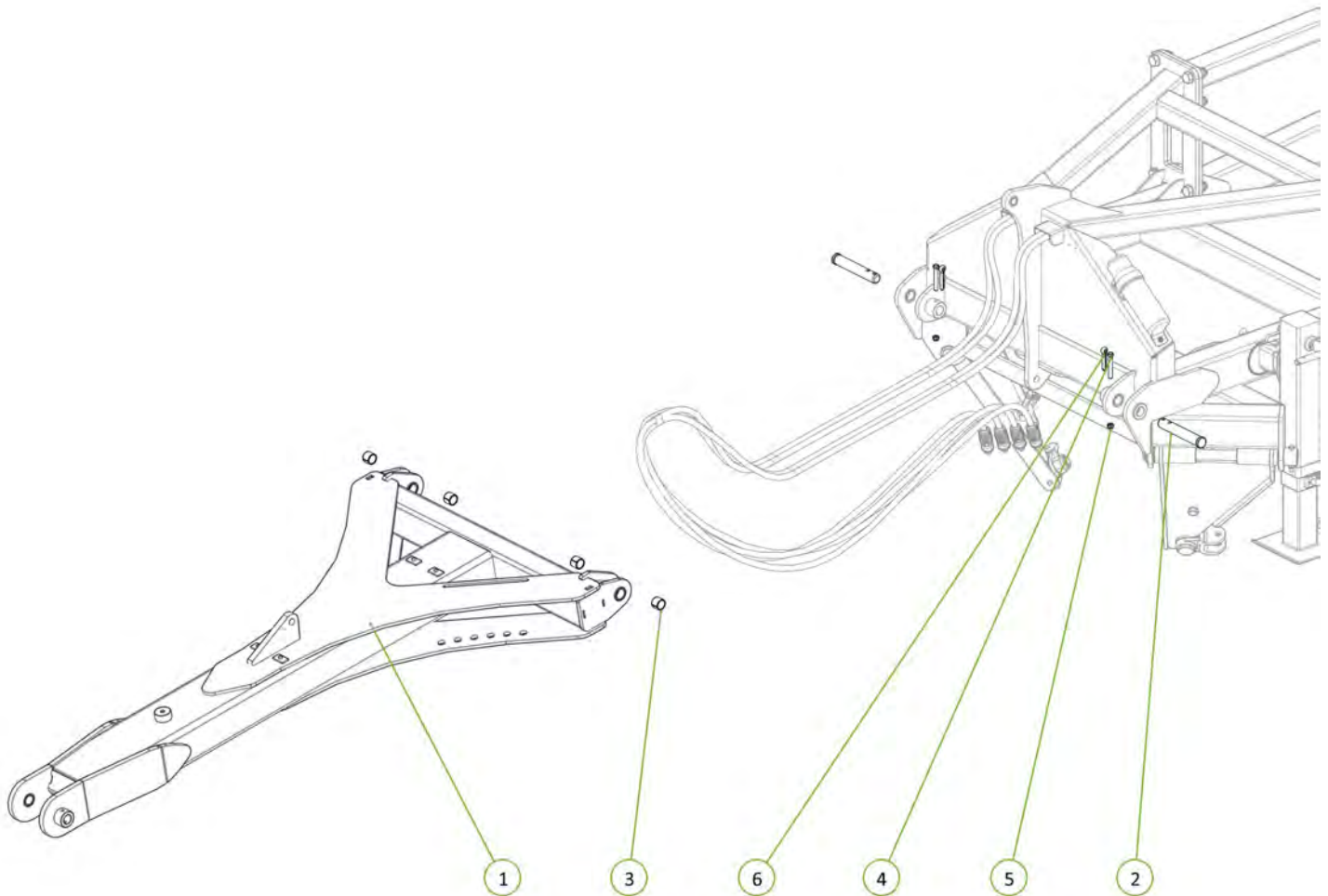


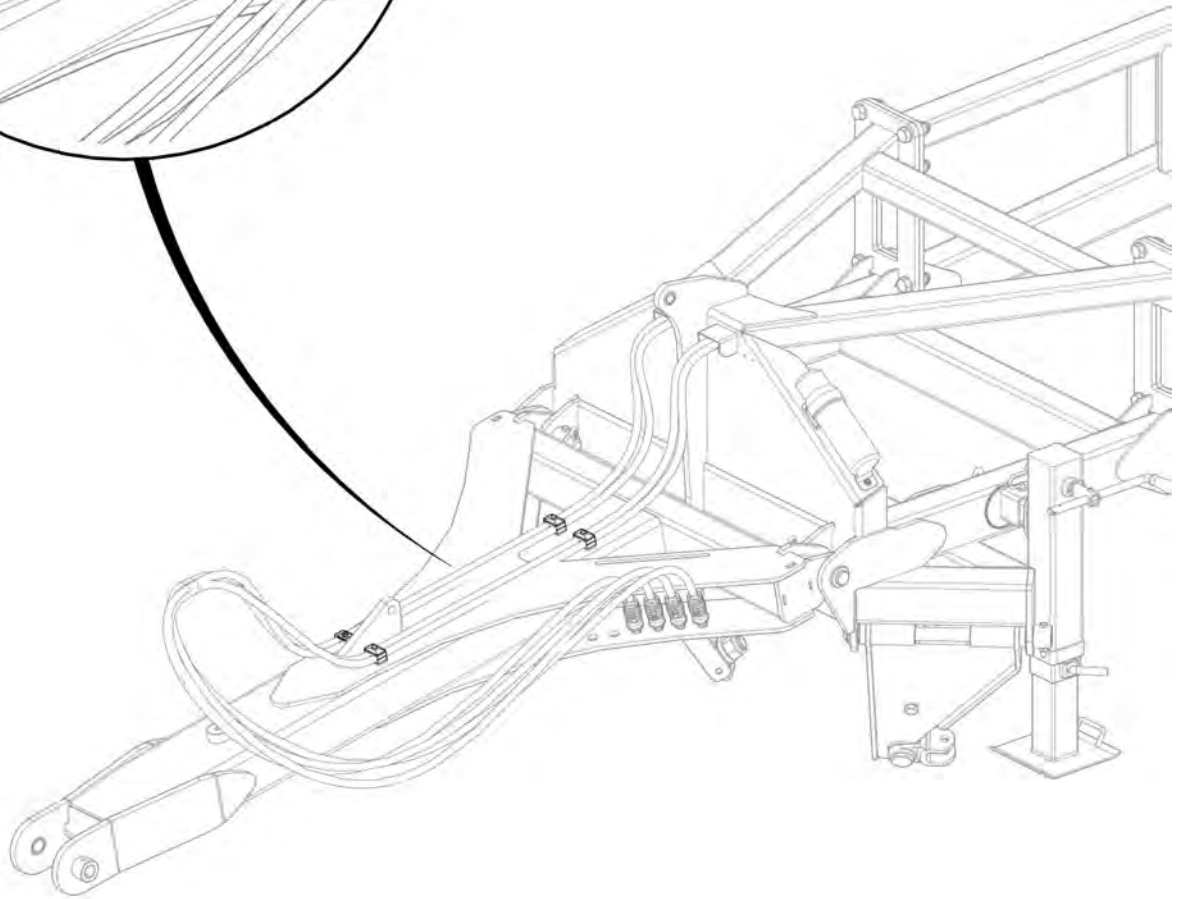
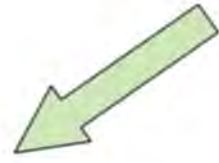
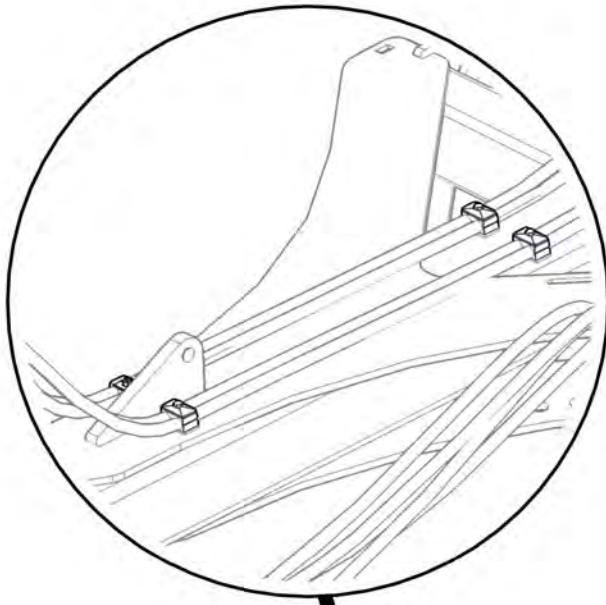
| Item No. | Description | Number | Qty |
|----------|---|----------------|-----|
| 1 | Extended Chain Mount Plate | 1610-21 | 1 |
| 2 | Forged Clevis 21mm Bolt Hole | 0801-FC21 | 1 |
| 3 | M12 x 90 Class 10.9 ZP Bolt | 0211-1290HT | 1 |
| 4 | Stainless Steel Wear Bush | 1501-365033-SS | 1 |
| 5 | Chain Mount Pivot Pin | 0801-10-51 | 1 |
| 6 | Height Adjustor Retaining Clip | 0801-KE014 | 1 |
| 7 | Washer High Tensile 1 3/8" | 0232-HT13-8 | 1 |
| 8 | M36 x 105 grade 8.8 zp Bolt | 0211-36105 | 1 |
| 9 | Height Adjusting Chain Assembly 17 Link | 0801-20MCA-17 | 1 |
| 10 | Nyloc Nut M12 | 0221-NYL12 | 1 |
| 11 | Nyloc Nut M36 | 0221-NYL36 | 1 |



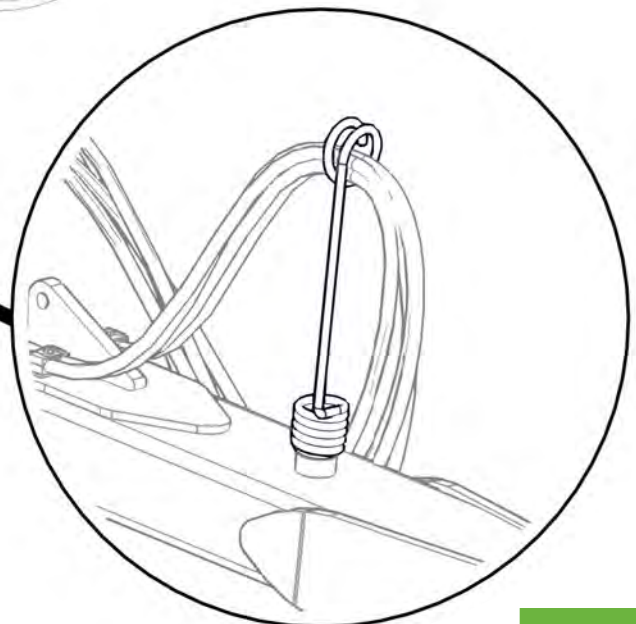
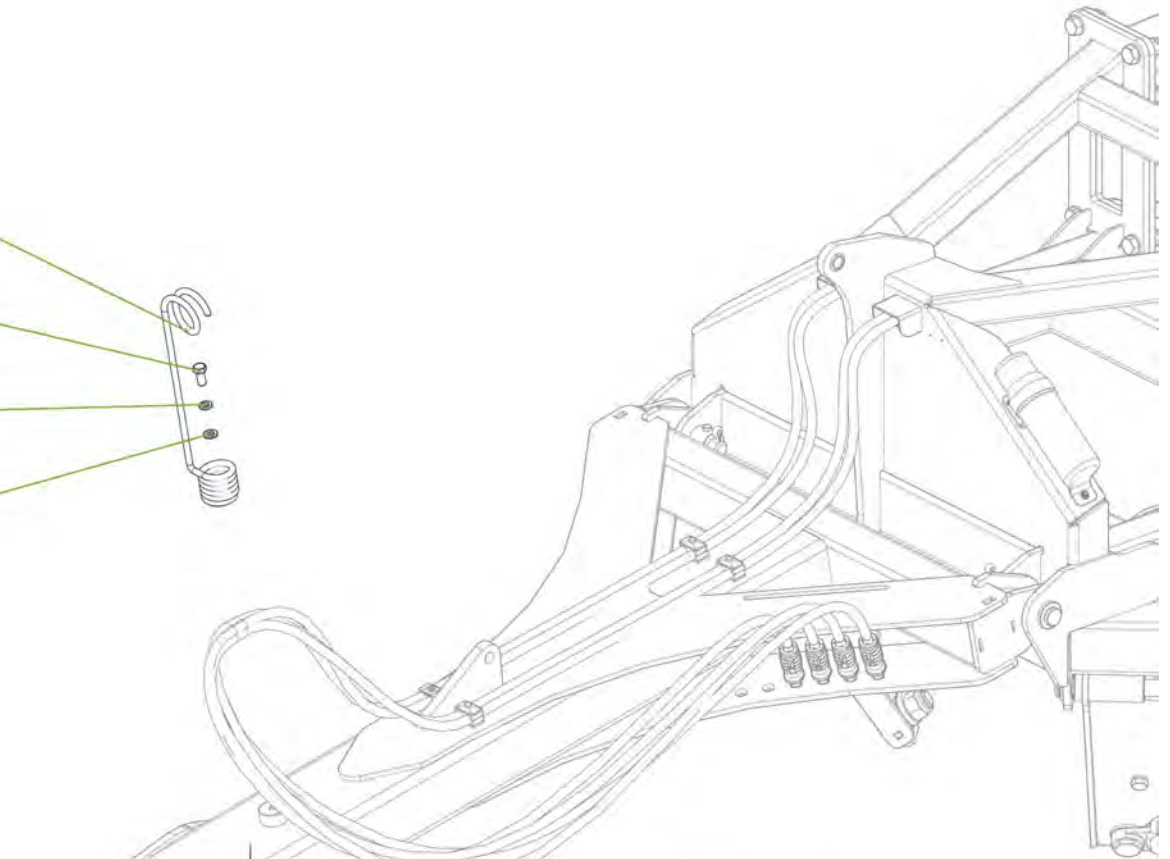
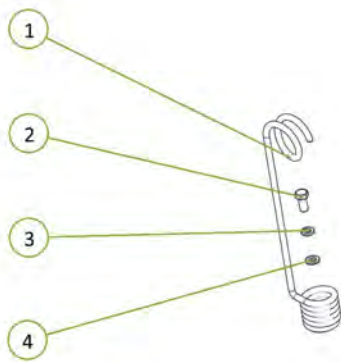


| Item No. | Description | Number | Qty |
|----------|-----------------------------|----------------|-----|
| 1 | Drawbar | 1610-08 | 1 |
| 2 | PCH Wing Pivot Pin | 0801-10-08-235 | 2 |
| 3 | 35 ID x 30mm DU Bush | 0113-MB3530DU | 4 |
| 4 | M12 x 90 Class 10.9 ZP Bolt | 0211-1290HT | 2 |
| 5 | Nyloc Nut M12 | 0221-NYL12 | 2 |
| 6 | Cotter Pin M13 x 63 | 0261-PINC1363 | 2 |

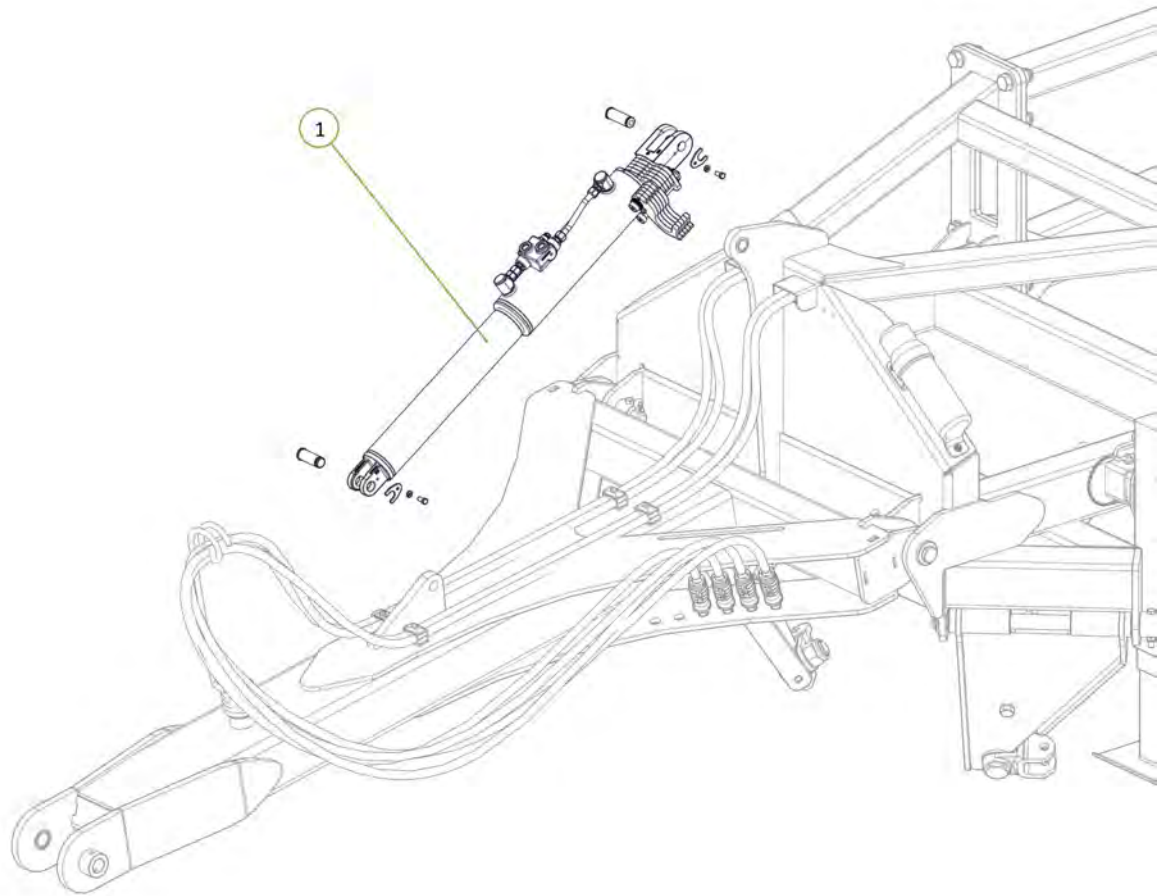
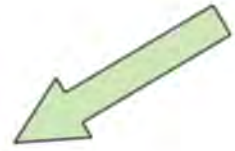




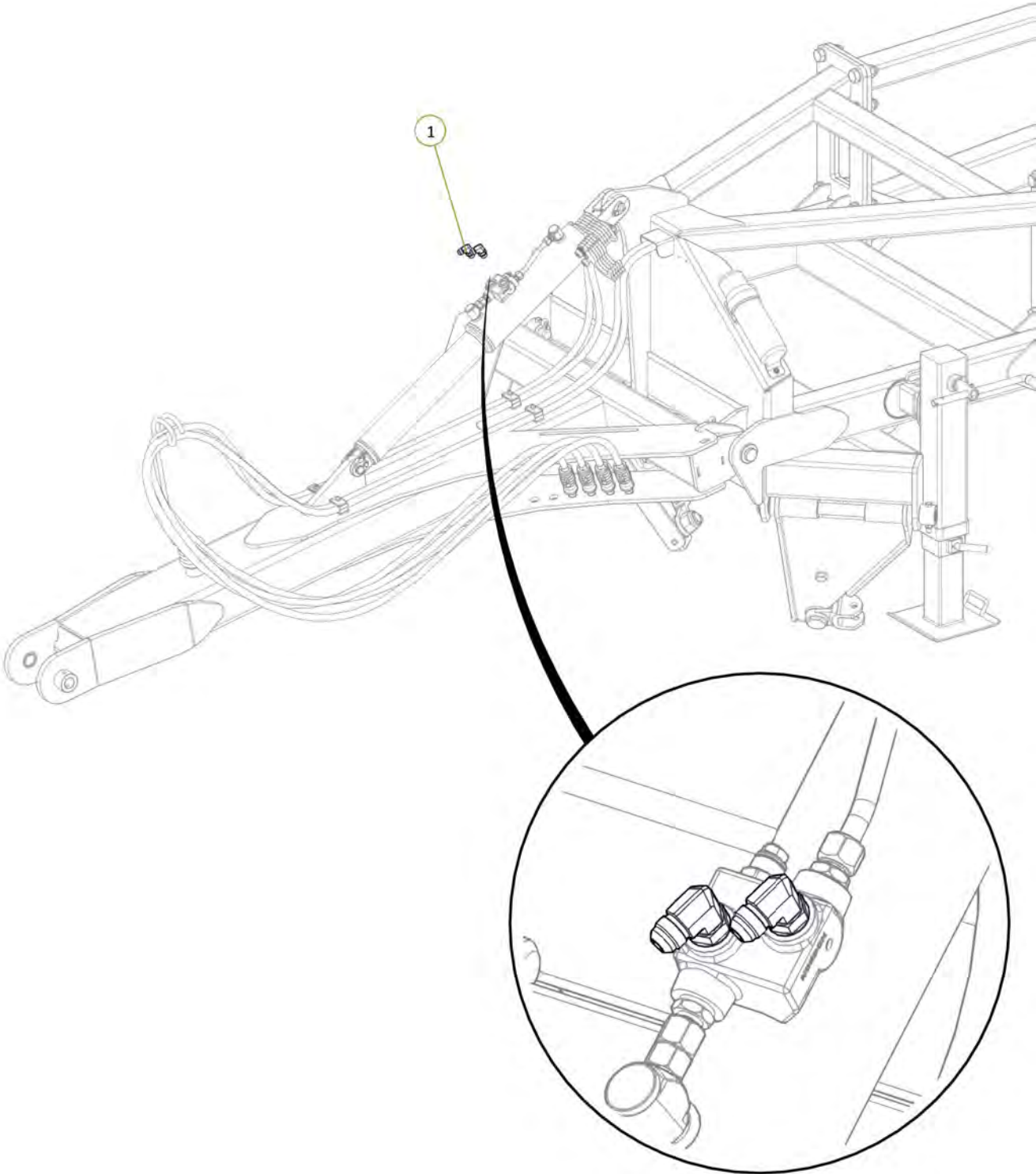
| Item No. | Description | Number | Qty |
|----------|----------------------------|------------------|-----|
| 1 | Hose Post Spring | 1601-CDB-00-0012 | 1 |
| 2 | M16 x 35 grade 8.8 zp Bolt | 0211-1635 | 1 |
| 3 | Washer Spring M16 | 0231-S16 | 1 |
| 4 | Washer Flat M16 | 0231-F16 | 1 |



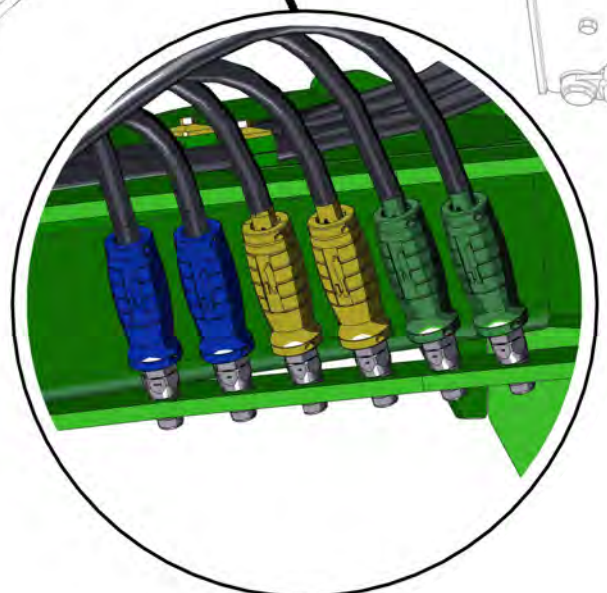
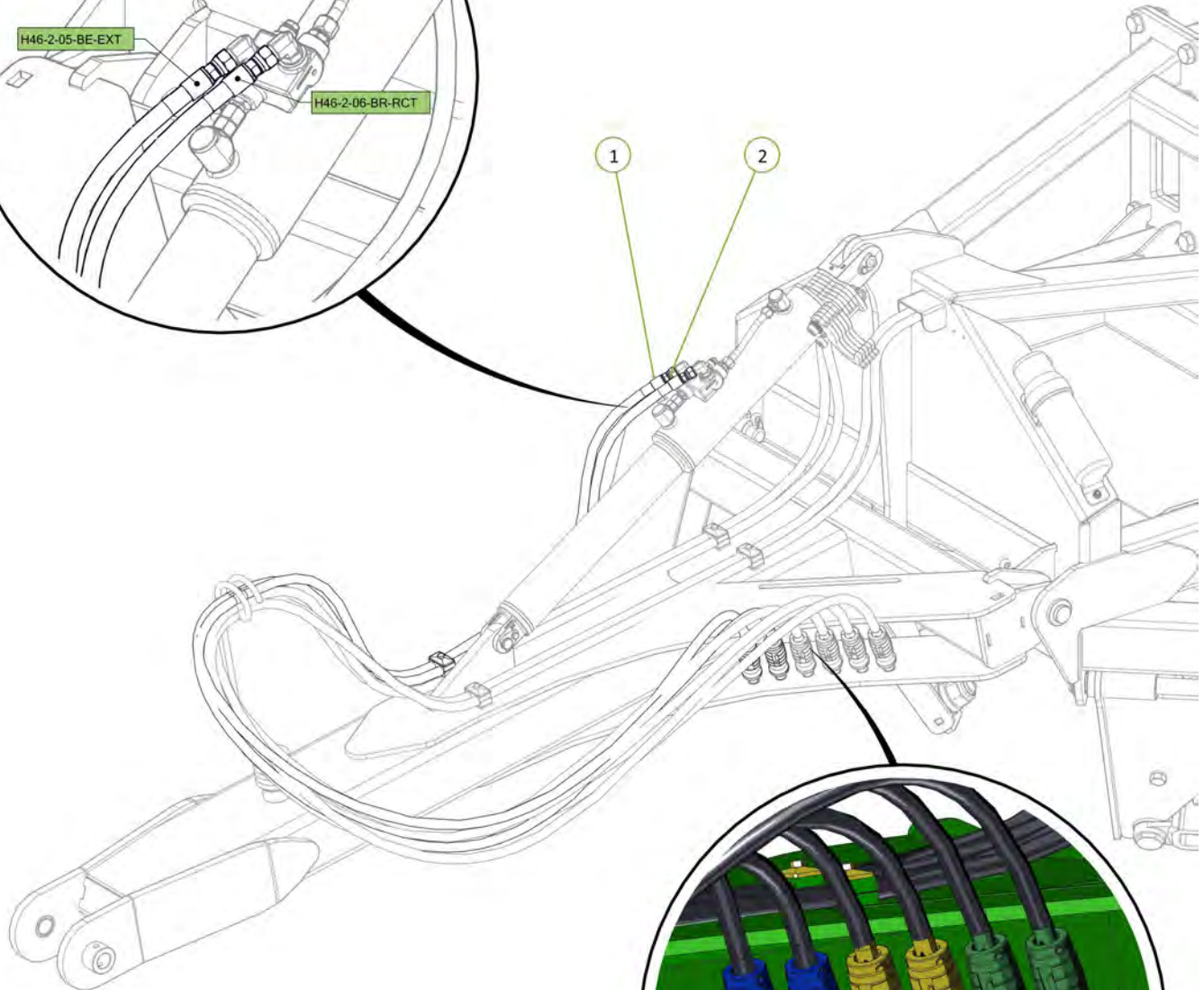
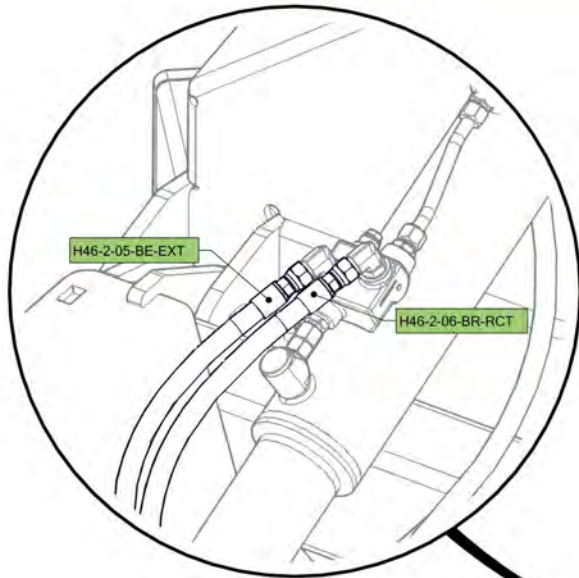
| Item No. | Description | Number | Qty |
|----------|---|---------------|-----|
| 1 | 4" Bore 12" Stroke 2" Rod Extended Hydraulic Cylinder | 0311-412EXT-2 | 1 |



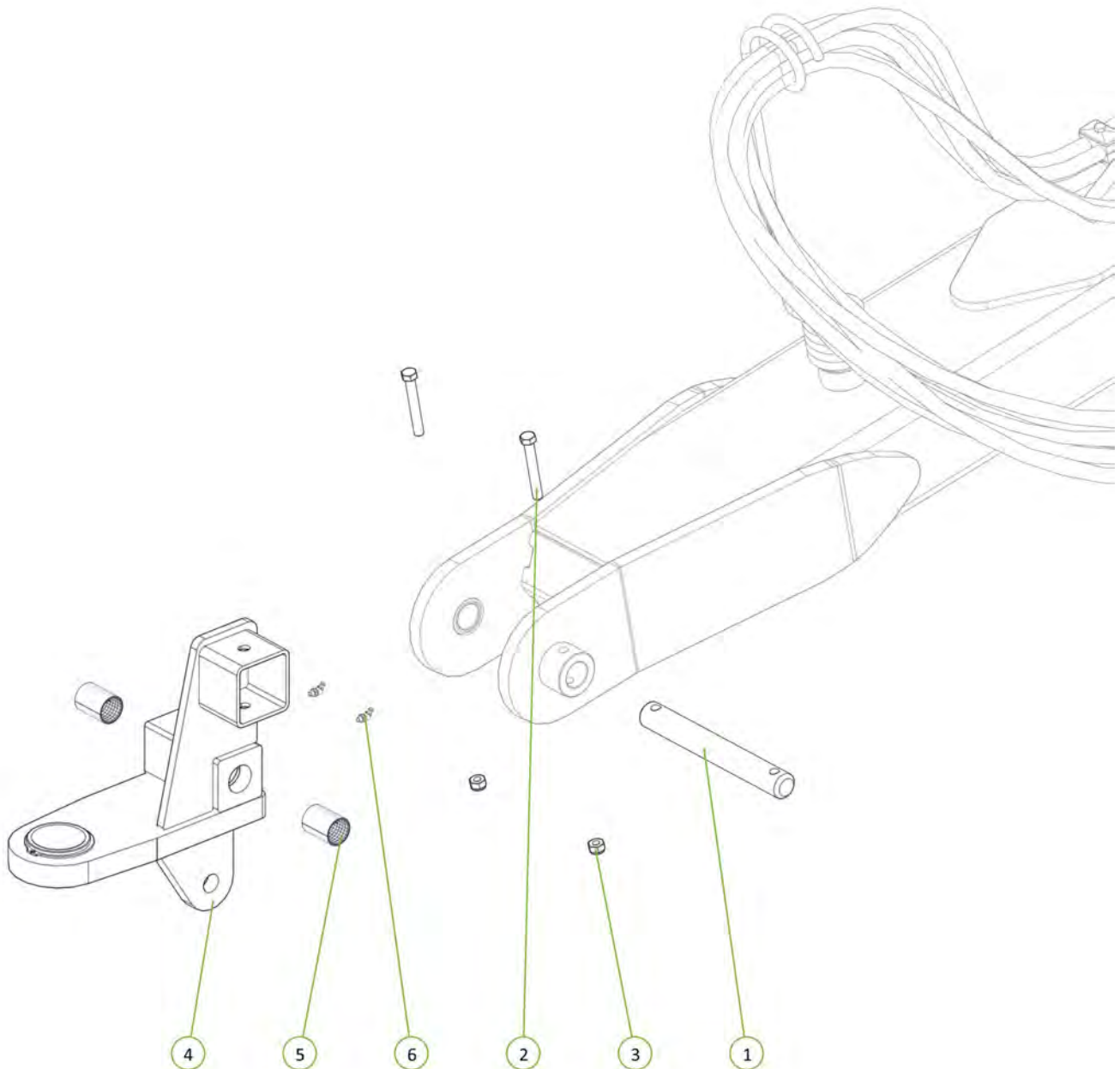
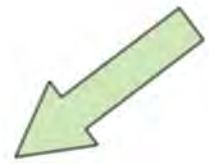
| Item No. | Description | Number | Qty |
|----------|---|---------------|-----|
| 1 | 3/4" JIC Male 3/4" UN O Ring Male 90° Elbow | 0323-S91-1212 | 2 |



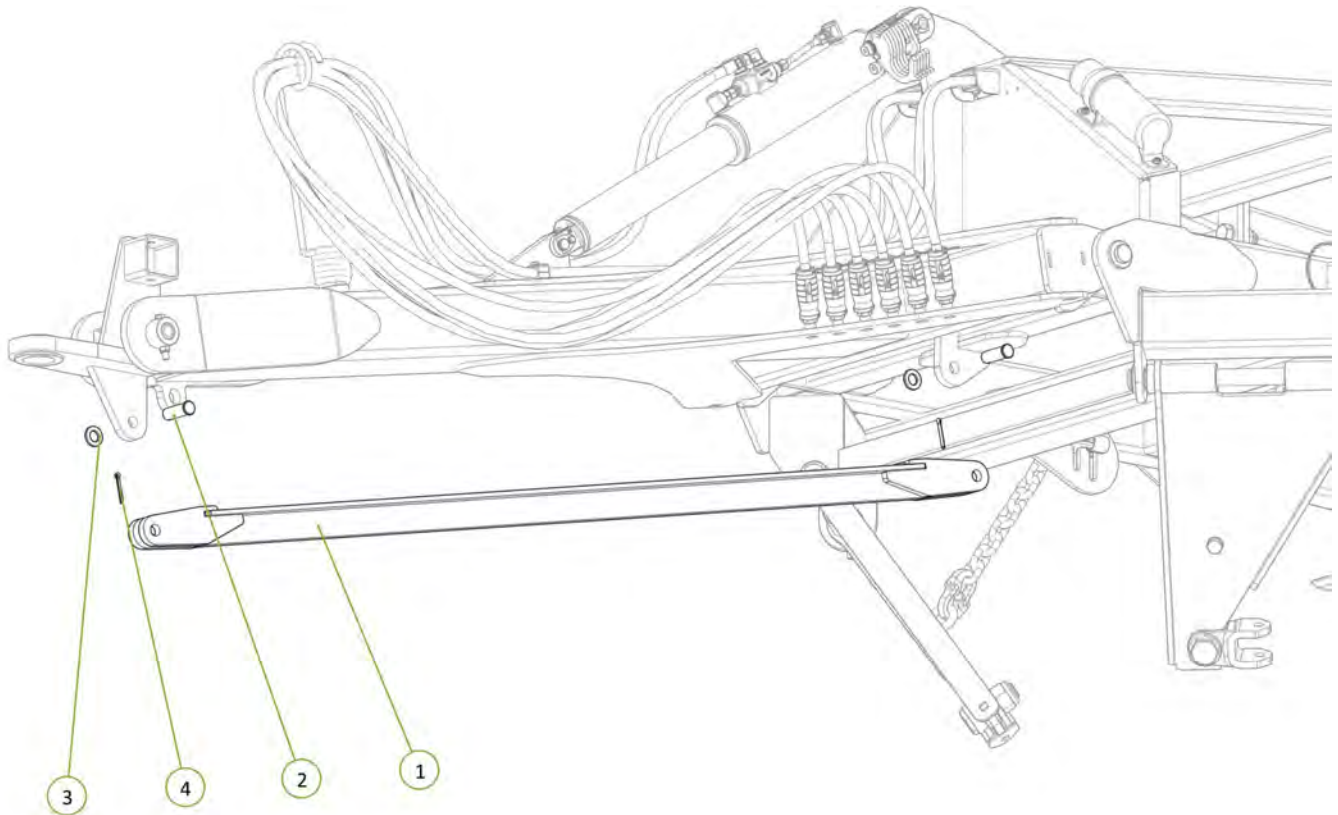
| Item No. | Description | Number | Qty |
|----------|--|-----------------|-----|
| 1 | Tractor to Front Lift Cylinder Extend Port Fitted With Blue EXT Grip | H46-2-05-BE-EXT | 1 |
| 2 | Tractor to Front Lift Cylinder Extend Port Fitted With Blue RTC Grip | H46-2-06-BR-RCT | 1 |



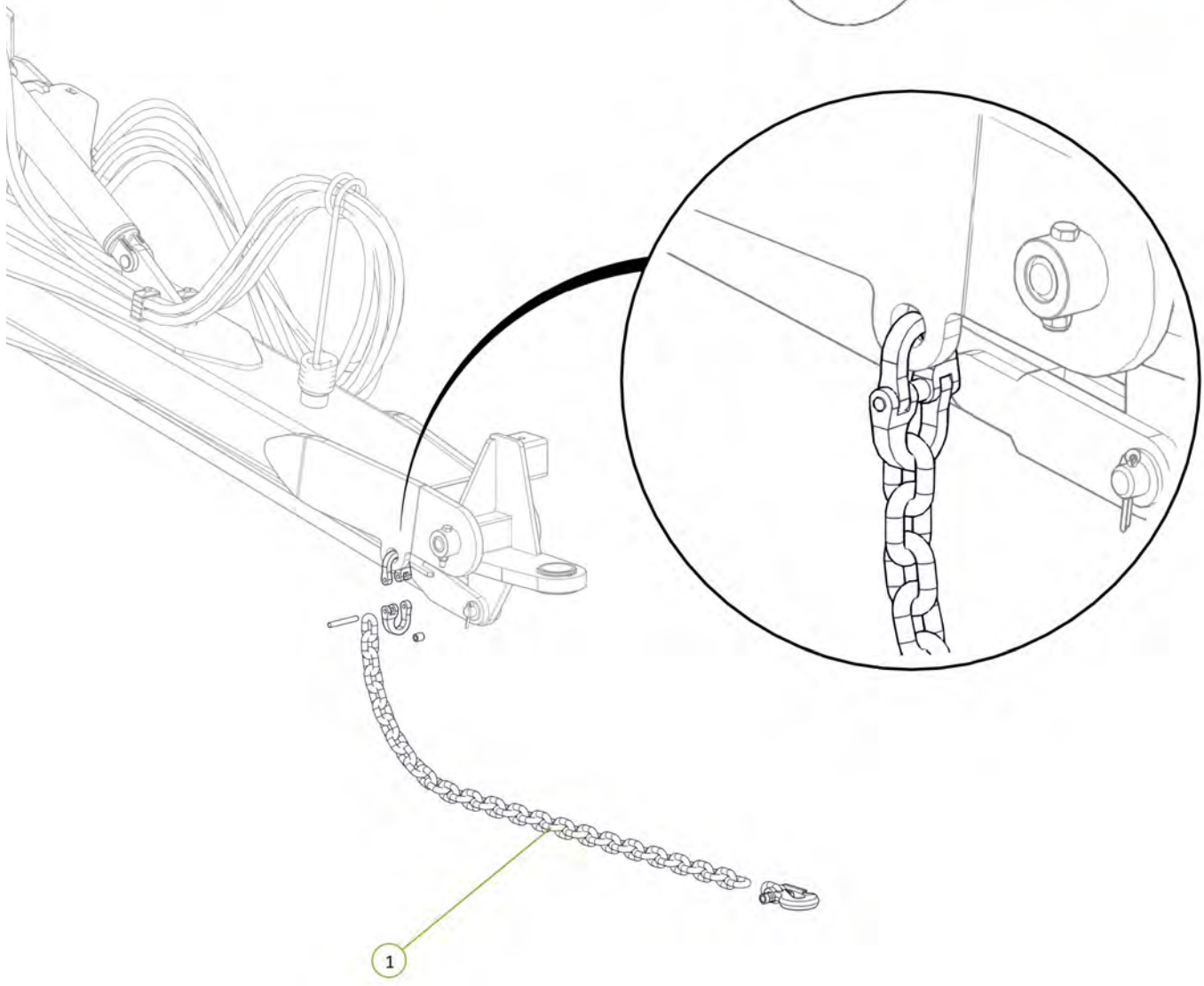
| Item No. | Description | Number | Qty |
|----------|-----------------------------|---------------|-----|
| 1 | Tow Hitch Pivot Pin | 0801-10-14 | 1 |
| 2 | M12 x 90 Class 10.9 ZP Bolt | 0211-1290HT | 2 |
| 3 | Nyloc Nut M12 | 0221-NYL12 | 2 |
| 4 | Tow Hitch | 0810-09 | 1 |
| 5 | 35 ID x 50mm DX Bush | 0113-MB3550DX | 2 |
| 6 | Grease Nipple 1/4" UNF 45° | 0181-GN1/445 | 2 |



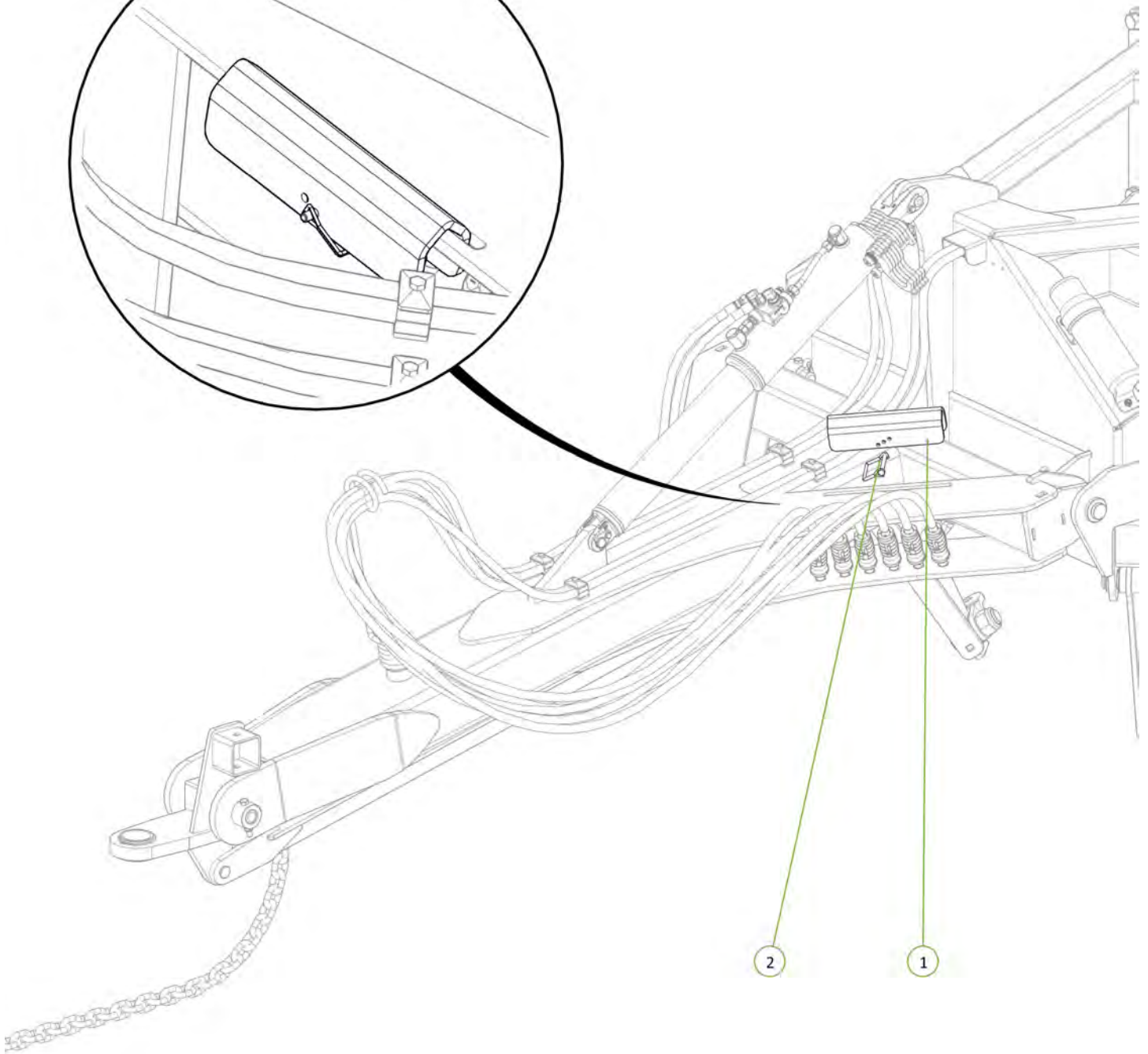
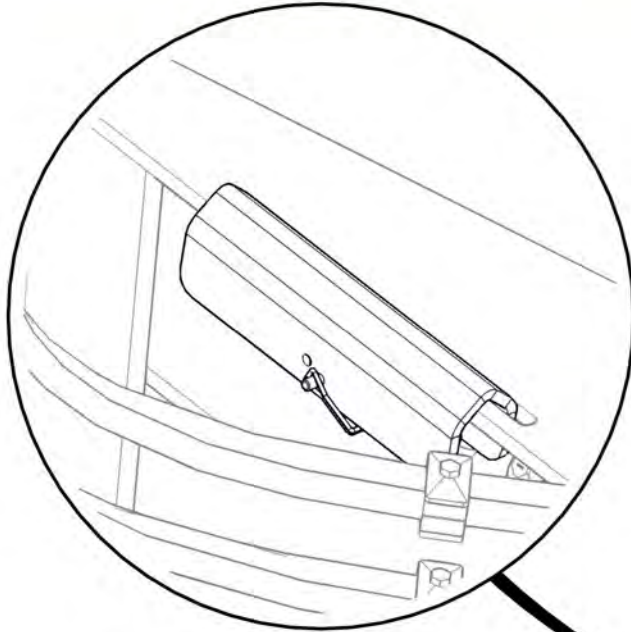
| Item No. | Description | Number | Qty |
|----------|------------------------|---------------|-----|
| 1 | 46" Parallel Arm | 0810-64 | 1 |
| 2 | Clevis Pin 25mm x 75mm | 0801-KE0307-1 | 2 |
| 3 | Washer Flat M24 | 0231-F24 | 2 |
| 4 | Cotter Pin M6 x 50mm | 0261-PINC650 | 2 |



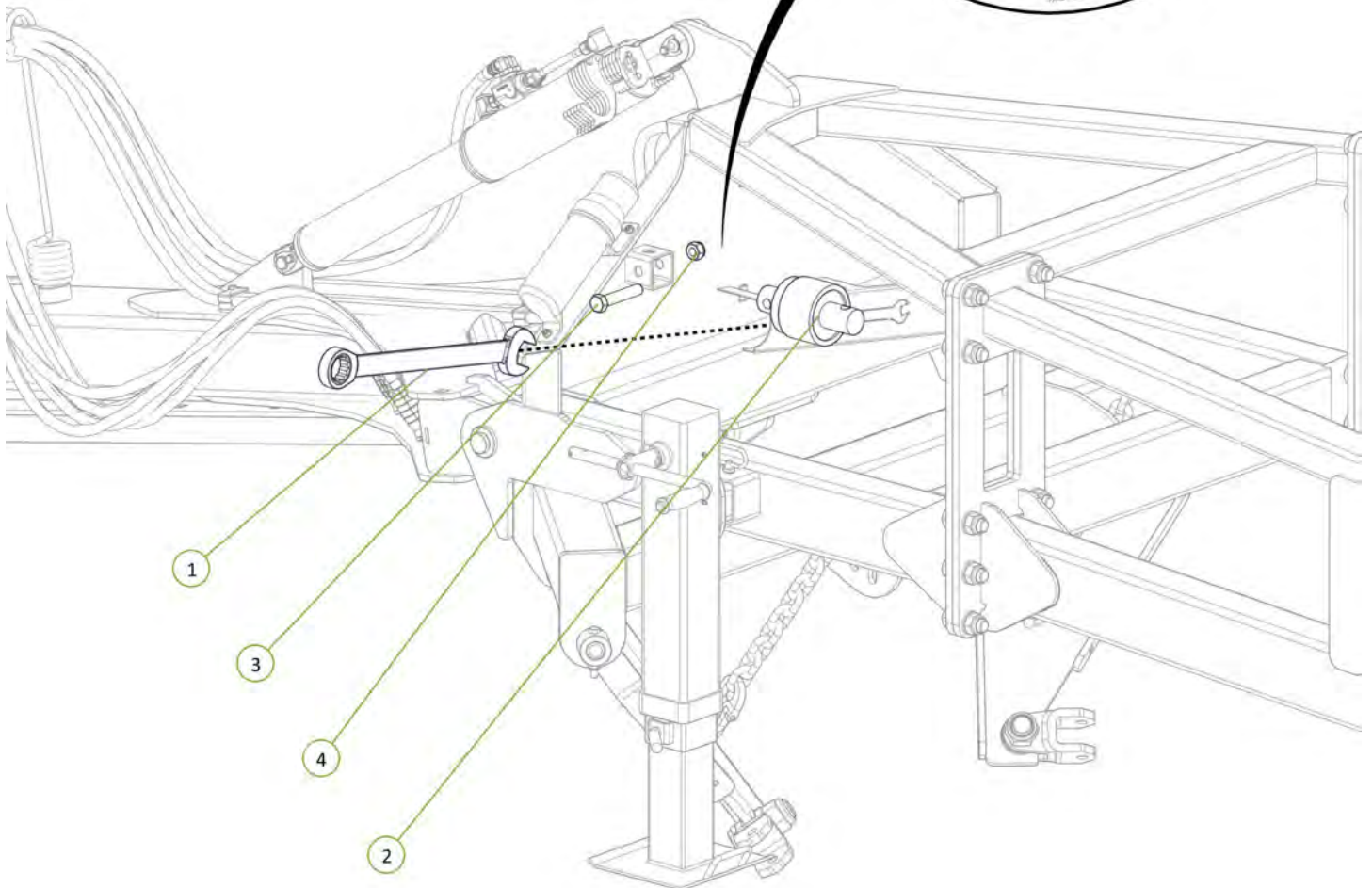
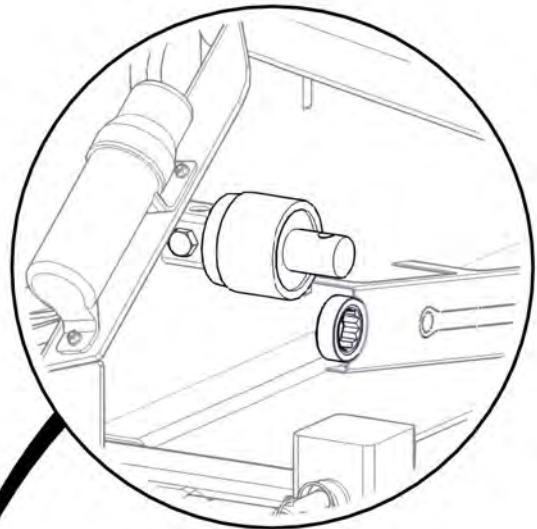
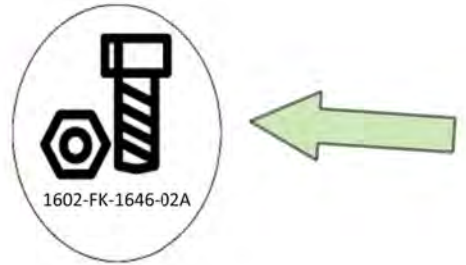
| Item No. | Description | Number | Qty |
|----------|-----------------------|---------|-----|
| 1 | Safety Chain Assembly | 0810-16 | 1 |

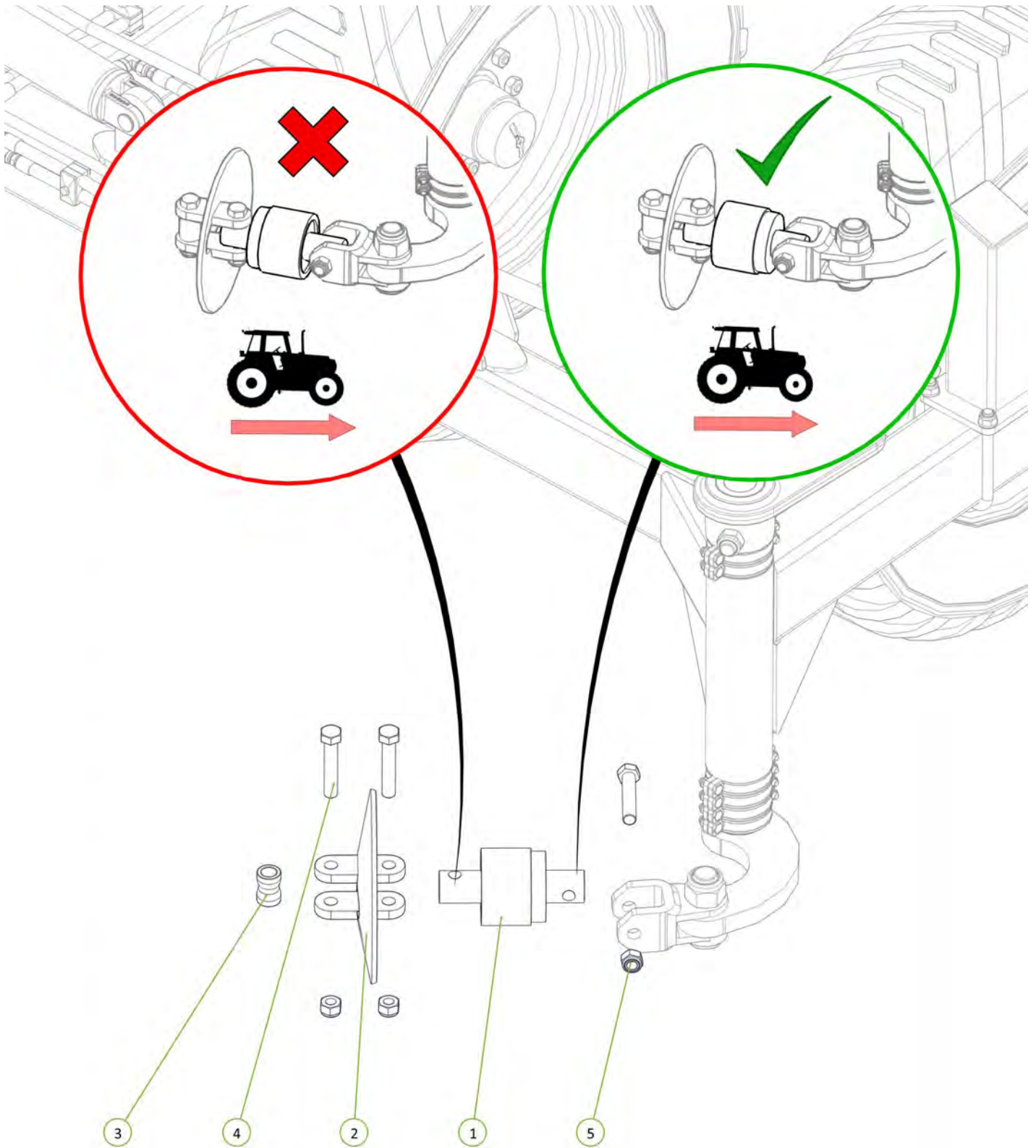


| Item No. | Description | Number | Qty |
|----------|--------------------------------|-----------------------|-----|
| 1 | Cylinder Safety Stop | 0800-688 | 1 |
| 2 | Square Loop Pin 5/16" x 3 1/4" | 0511-PINLOOPSQ516x314 | 1 |



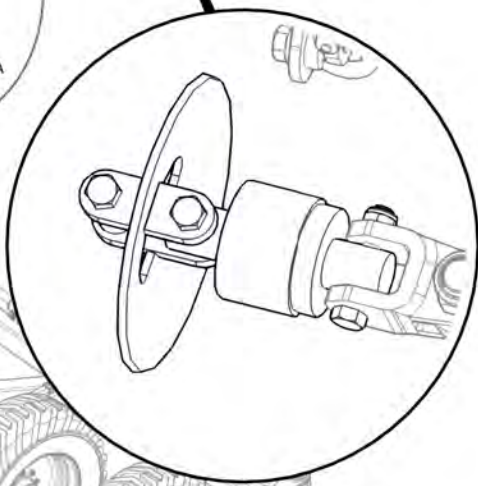
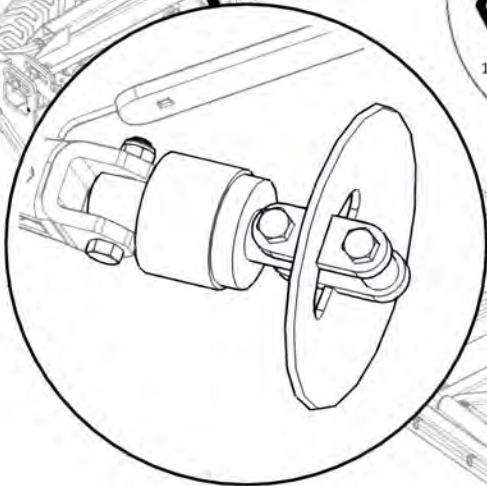
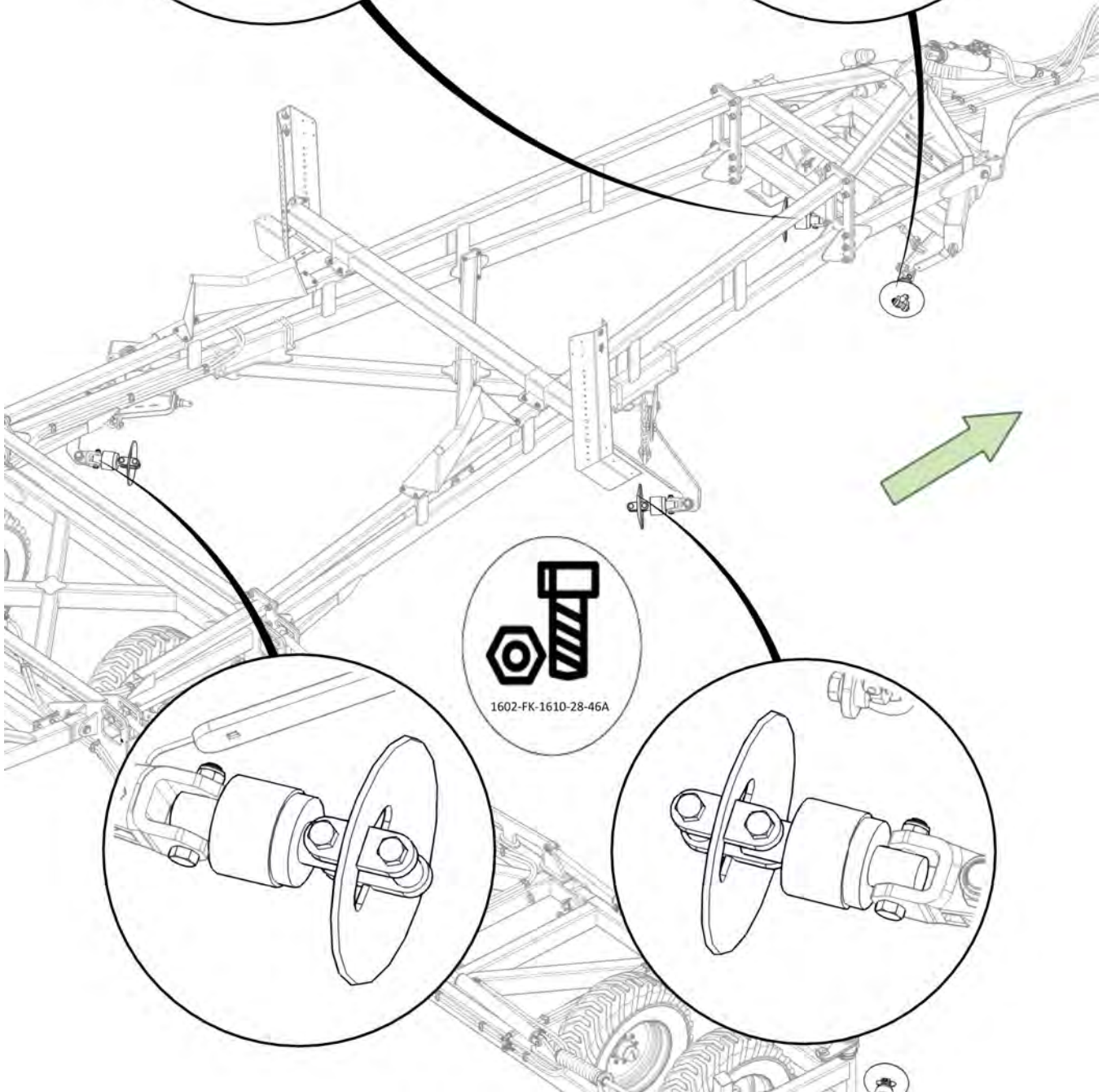
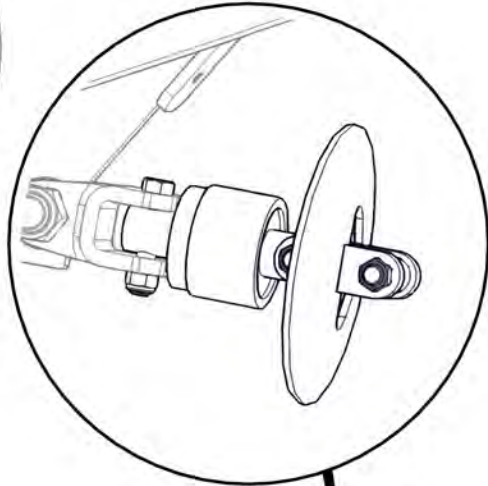
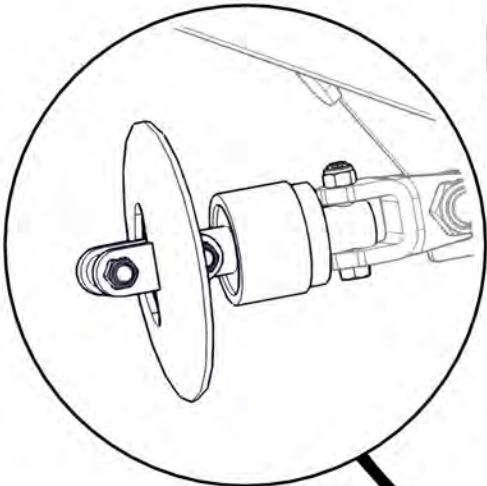
| Item No. | Description | Number | Qty |
|----------|---|---------------|-----|
| 1 | Ratcheting Gear Wrench 1 3/4" | 0802-GW1 3-4 | 1 |
| 2 | 20mm Bolt Swivel Unit | 0802-PCHB55 | 1 |
| 3 | M20 x 110 grade 10.9 ZP Short Thread Bolt | 0211-20110 ST | 1 |
| 4 | Nyloc Nut M20 | 0221-NYL20 | 1 |

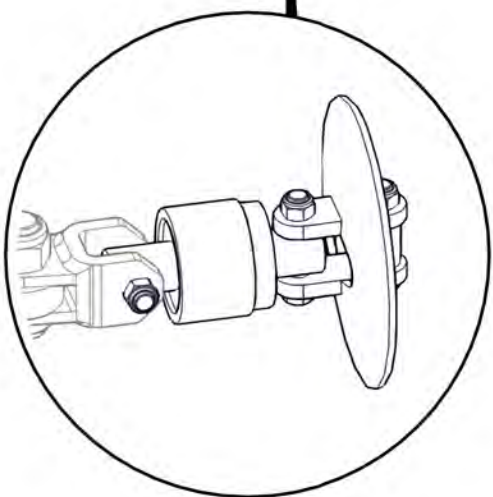
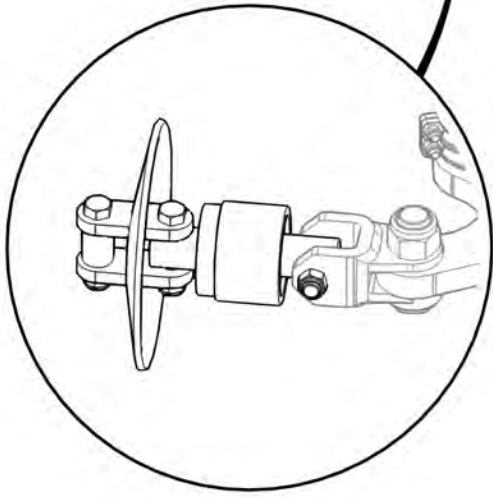
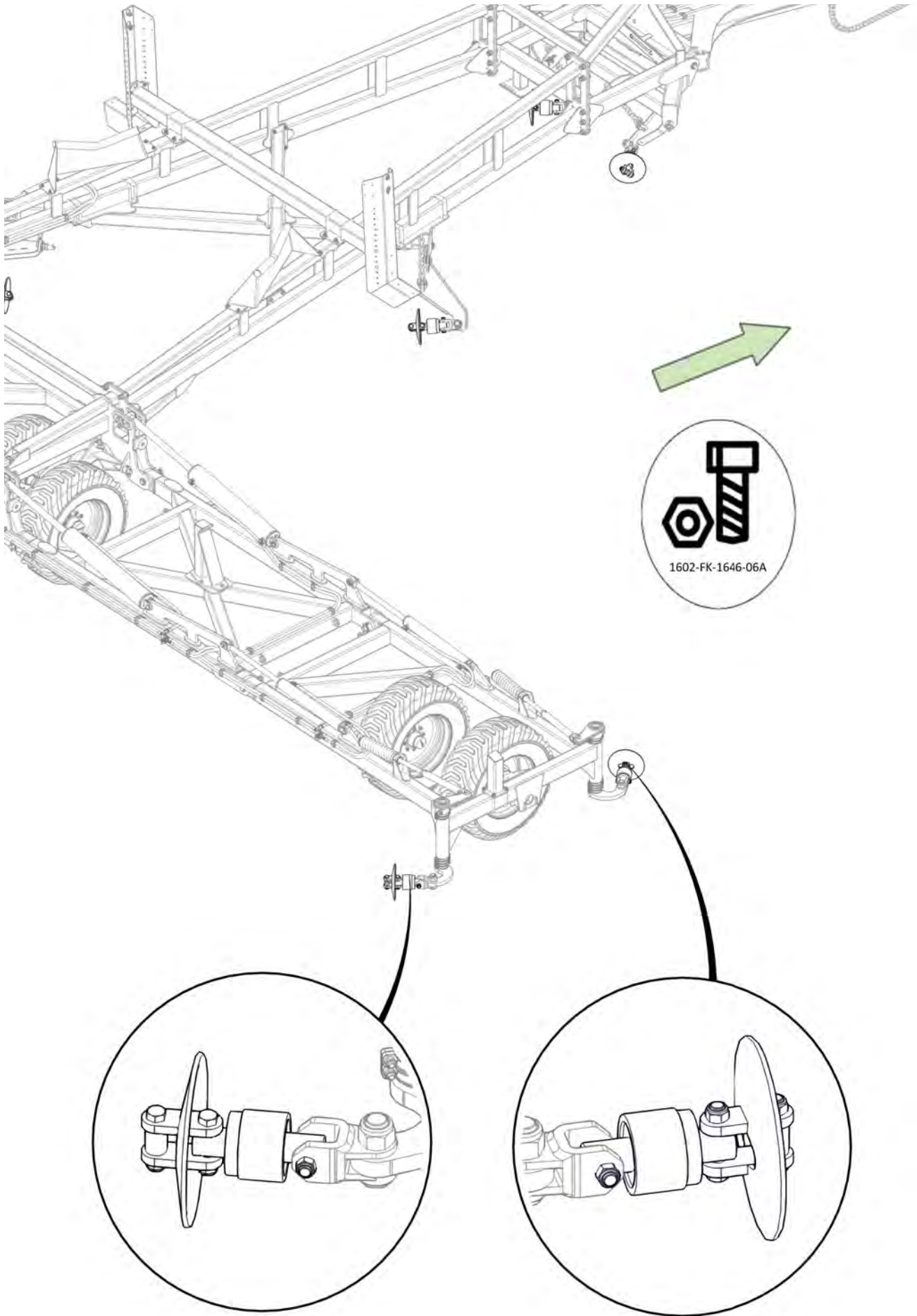


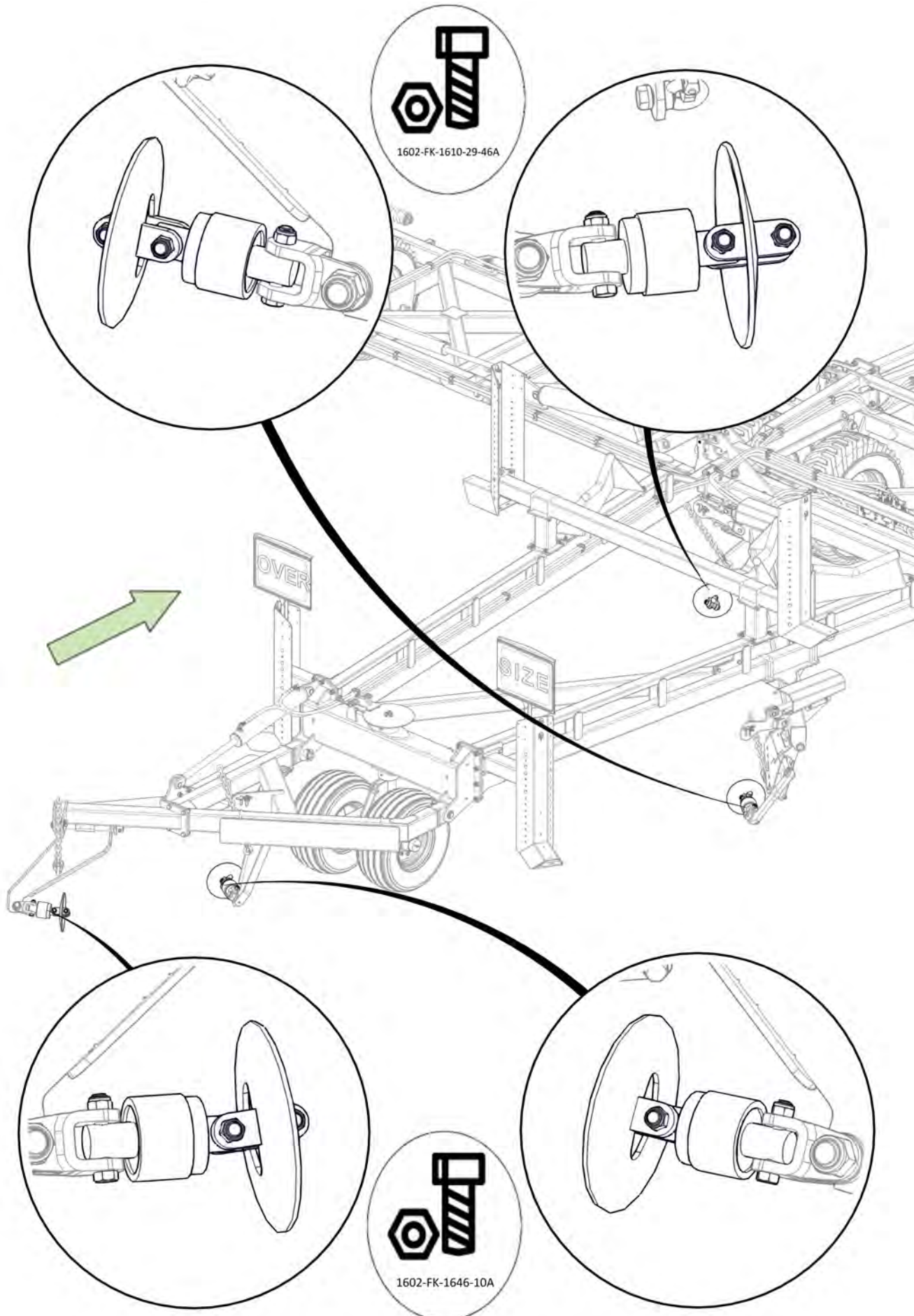


| Item No. | Description | Number | Qty |
|----------|---|---------------|-----|
| 1 | 20mm Bolt Swivel Unit | 0802-PCHB55 | 1 |
| 2 | Disc Chain Tie Plate Link 20mm | 0802-DCTP-20 | 1 |
| 3 | Disc Chain Spacer | 0801-253755 | 1 |
| 4 | M20 x 110 grade 10.9 ZP Short Thread Bolt | 0211-20110 ST | 3 |
| 5 | Nyloc Nut M20 | 0221-NYL20 | 3 |



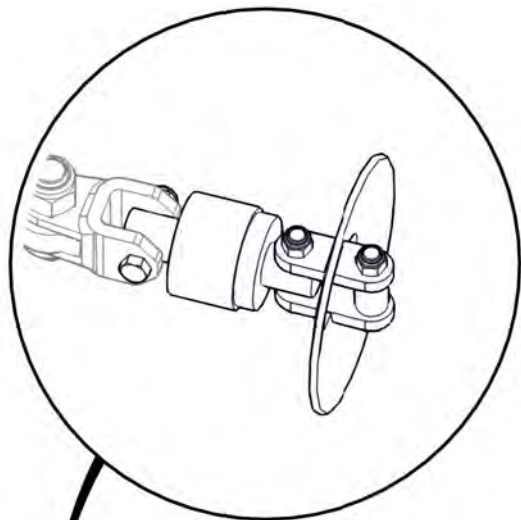
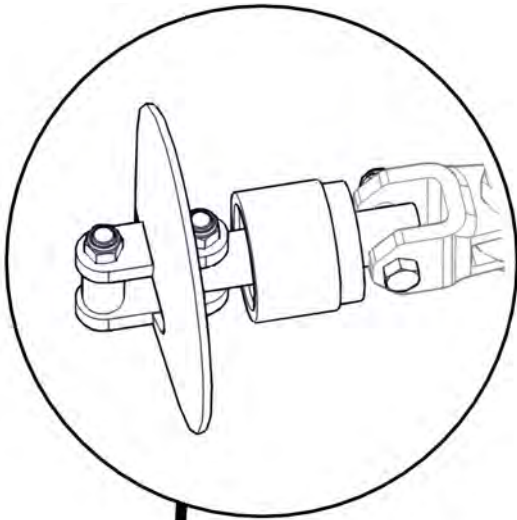




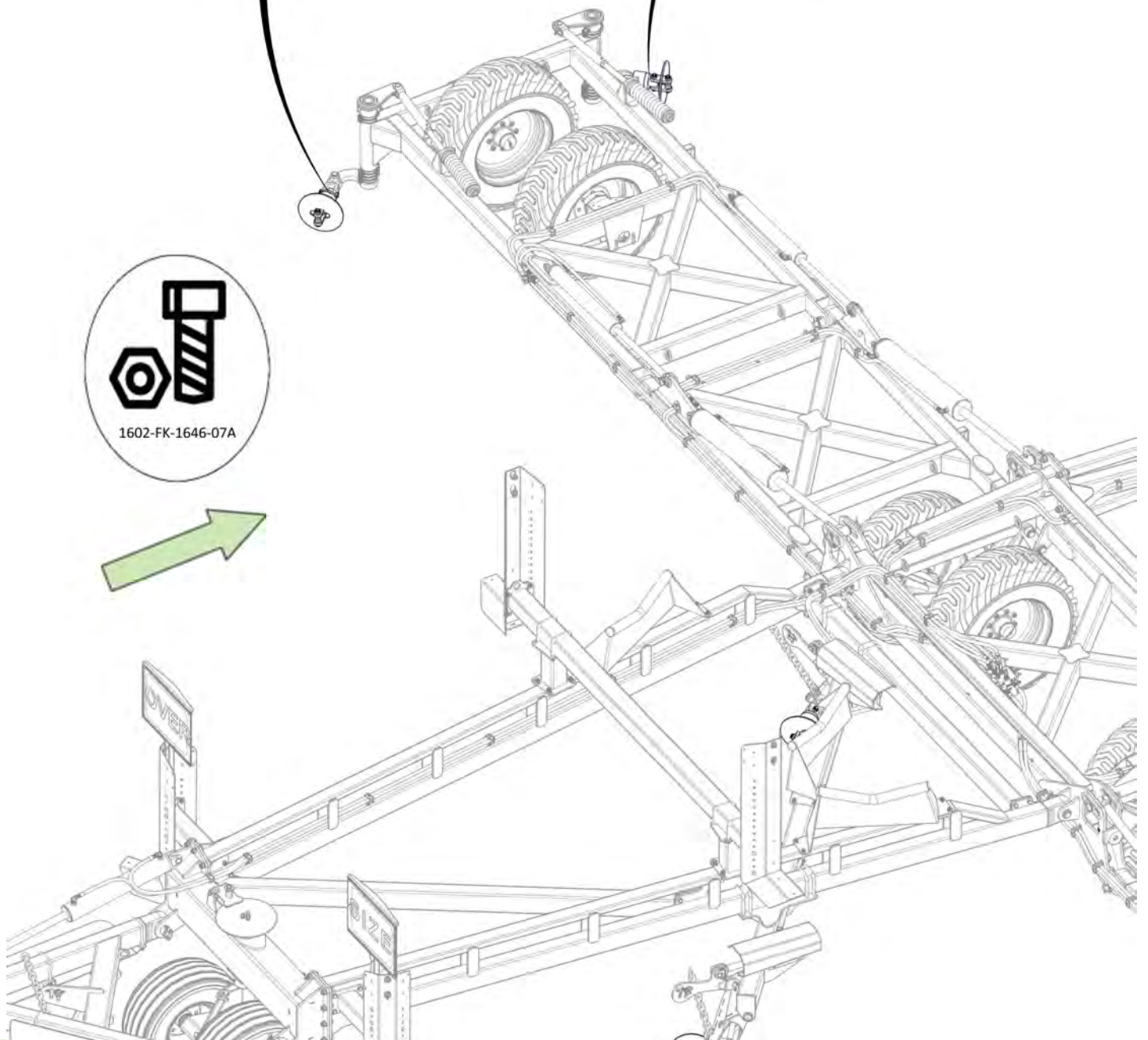
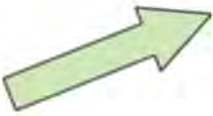


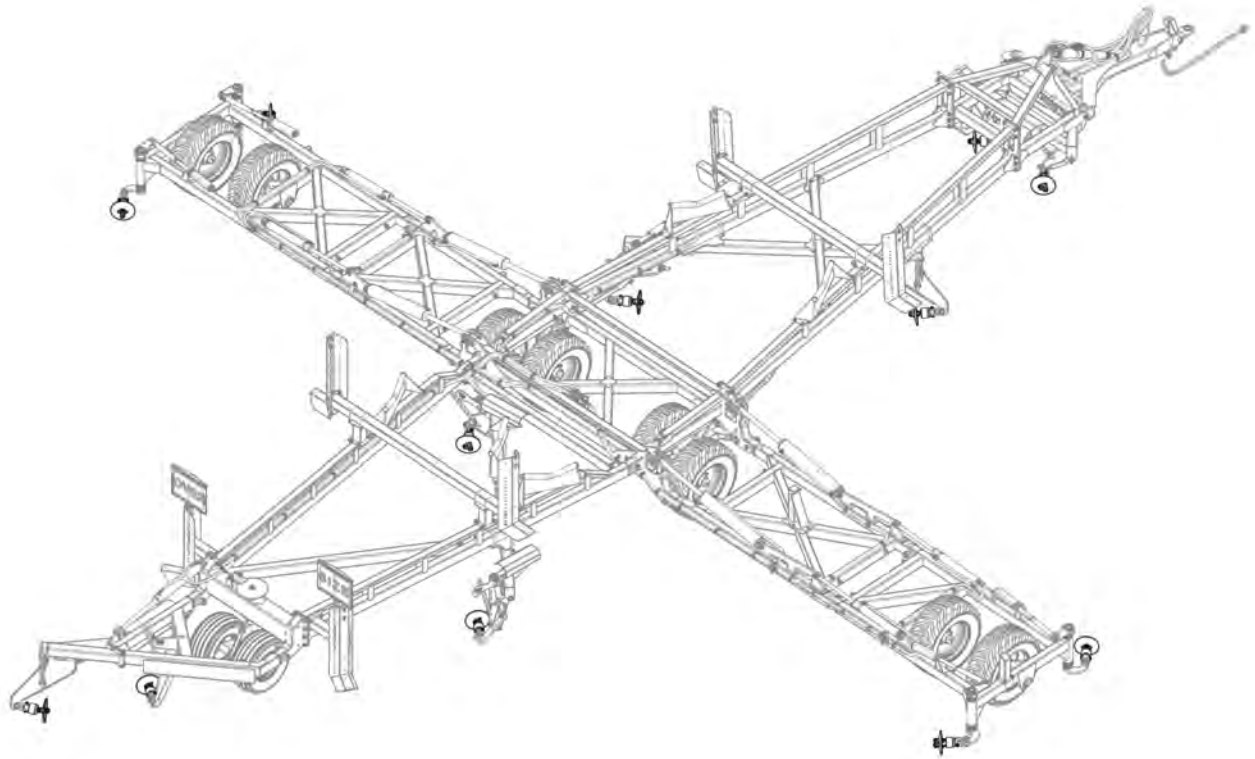
1602-FK-1610-29-46A

1602-FK-1646-10A



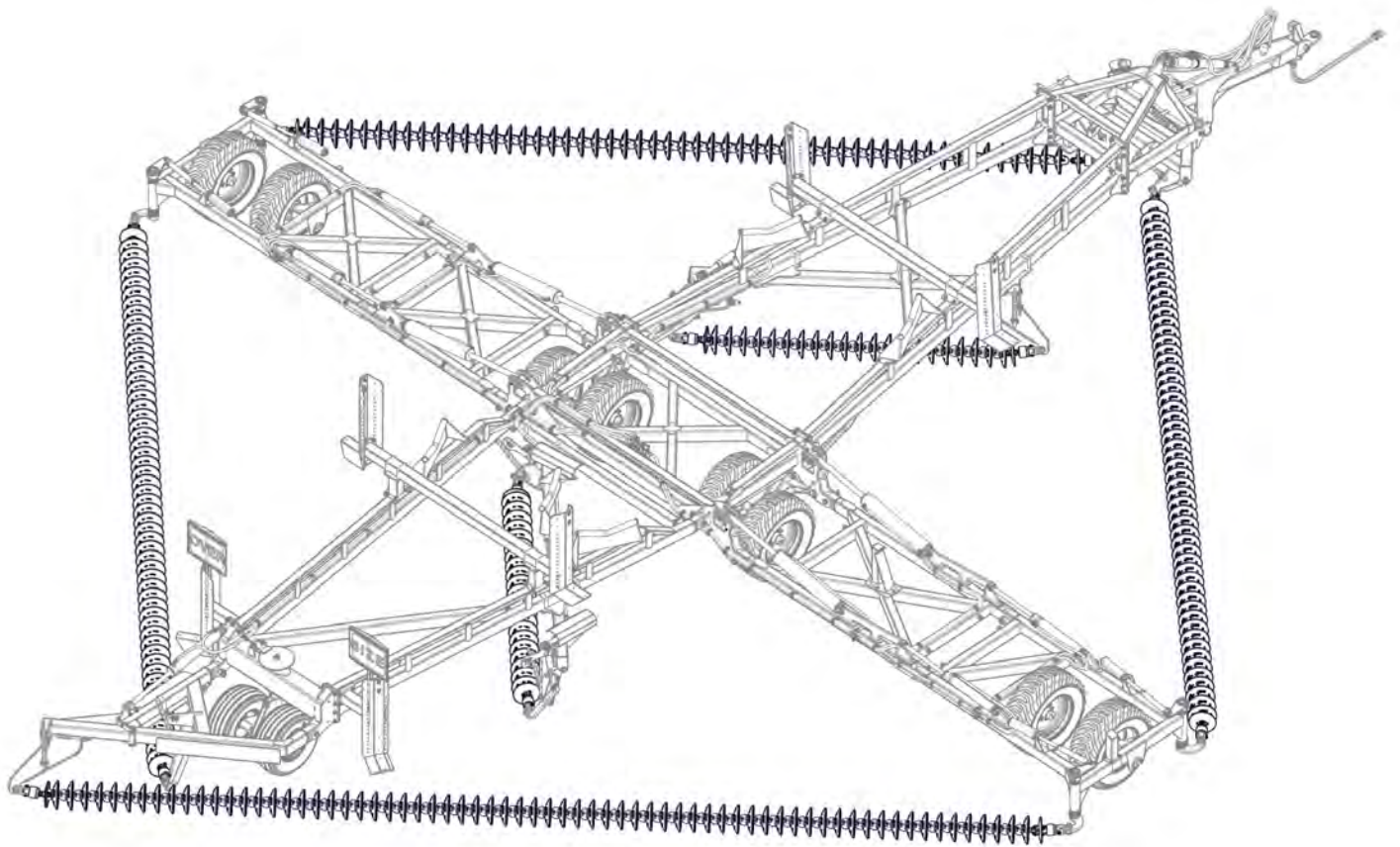
1602-FK-1646-07A





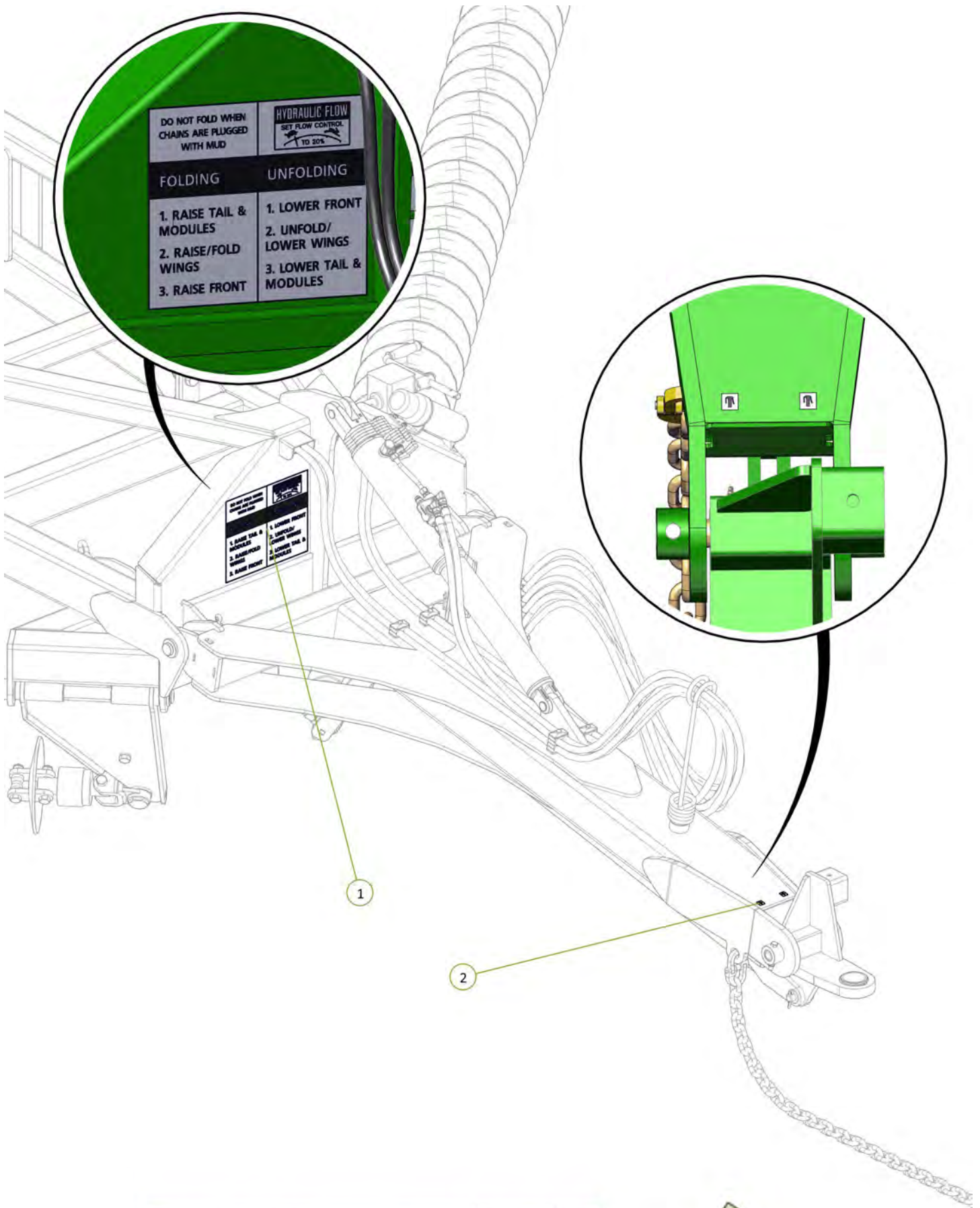
All bearings correctly orientated with seal facing rear of machine ○

Signed _____ Date _ / _ / _
Unit Serial Number _____

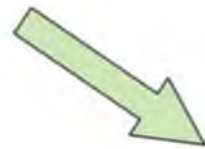


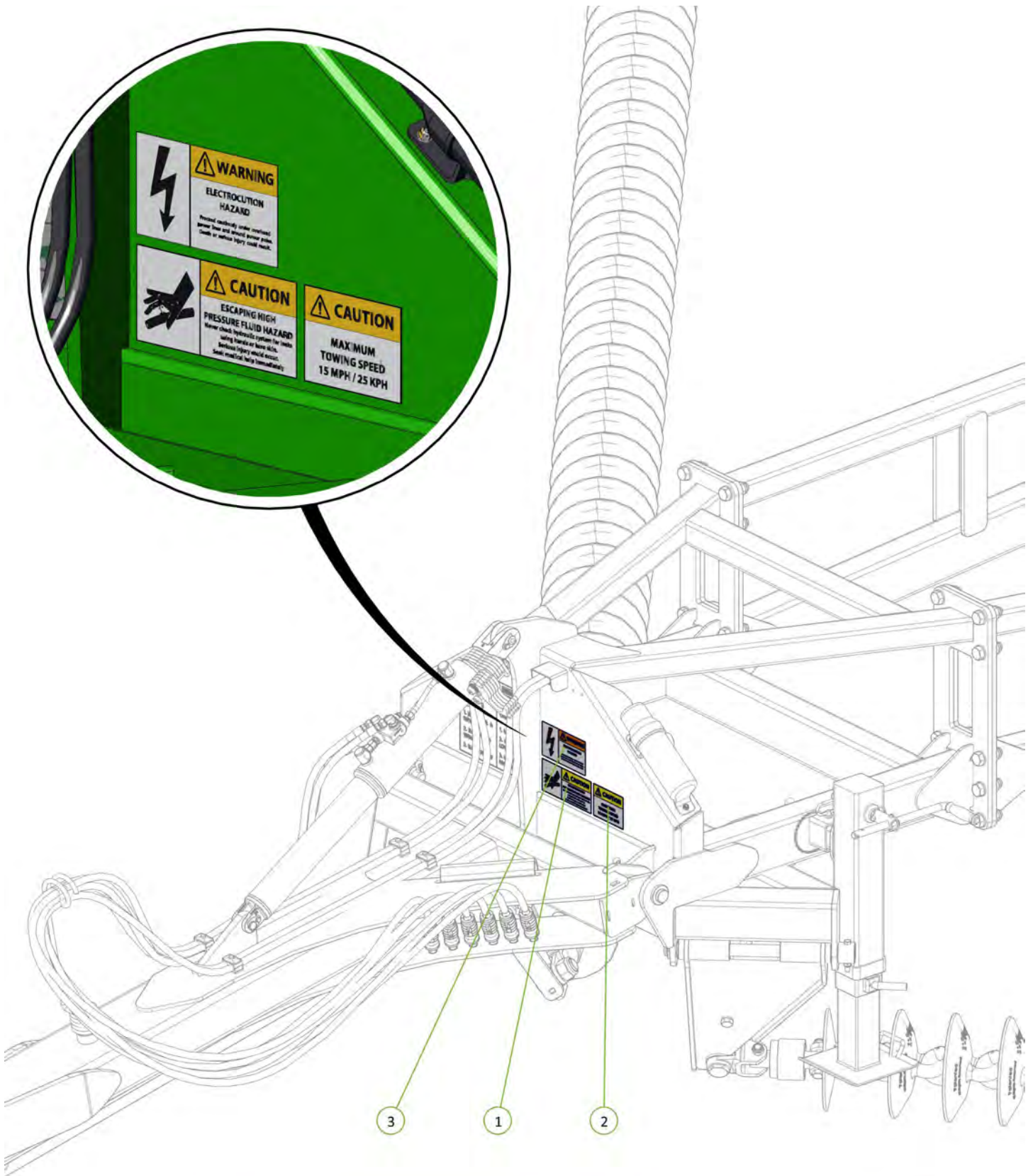
Section 3

Decal Application

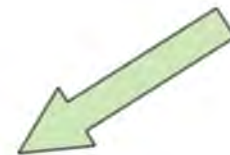


| Item No. | Description | Number | Qty |
|----------|-------------------------------|----------|-----|
| 1 | Fold-Unfold Decal 340 x 280mm | 0801-S18 | 1 |
| 2 | Grease Decal | 0801-S10 | 2 |

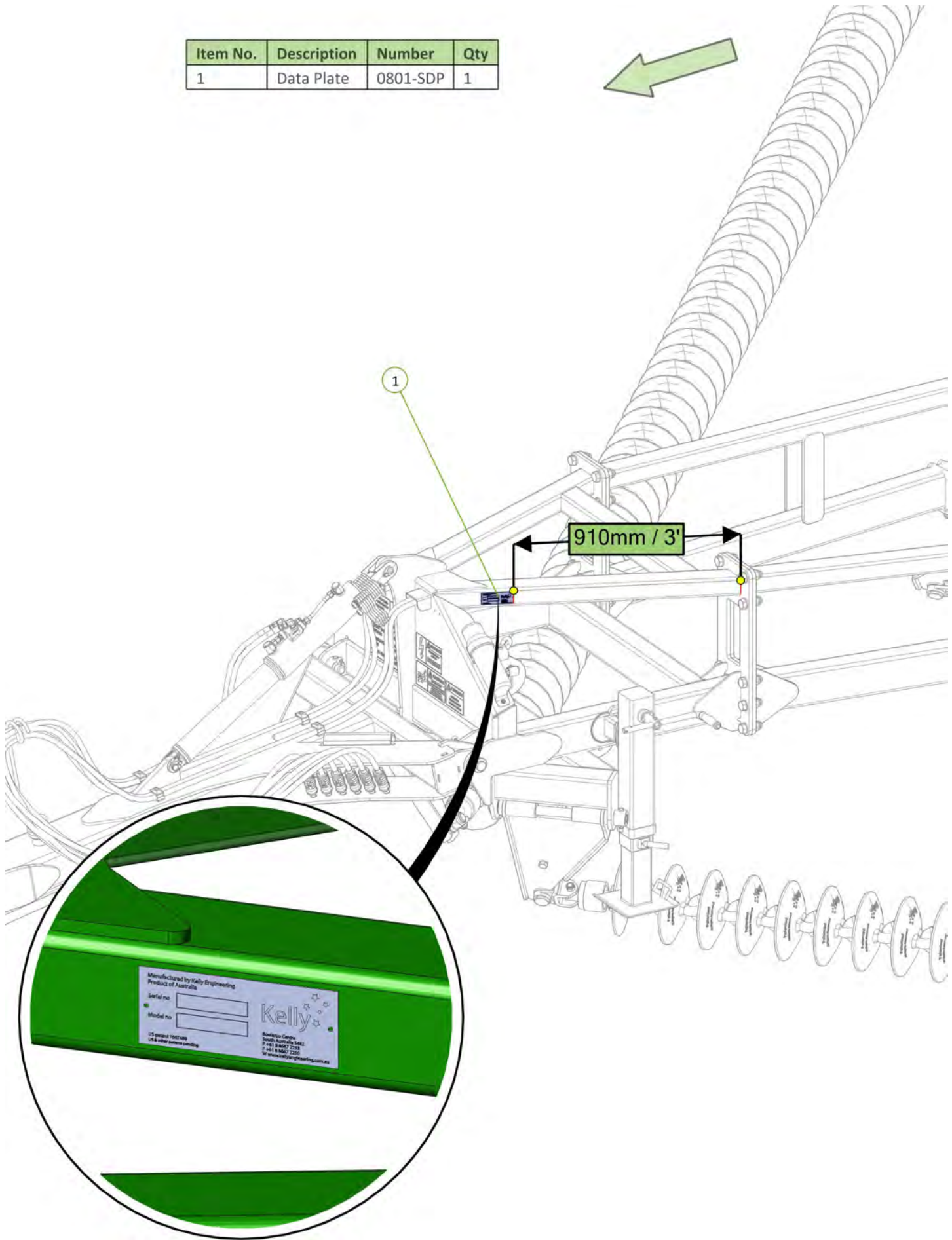




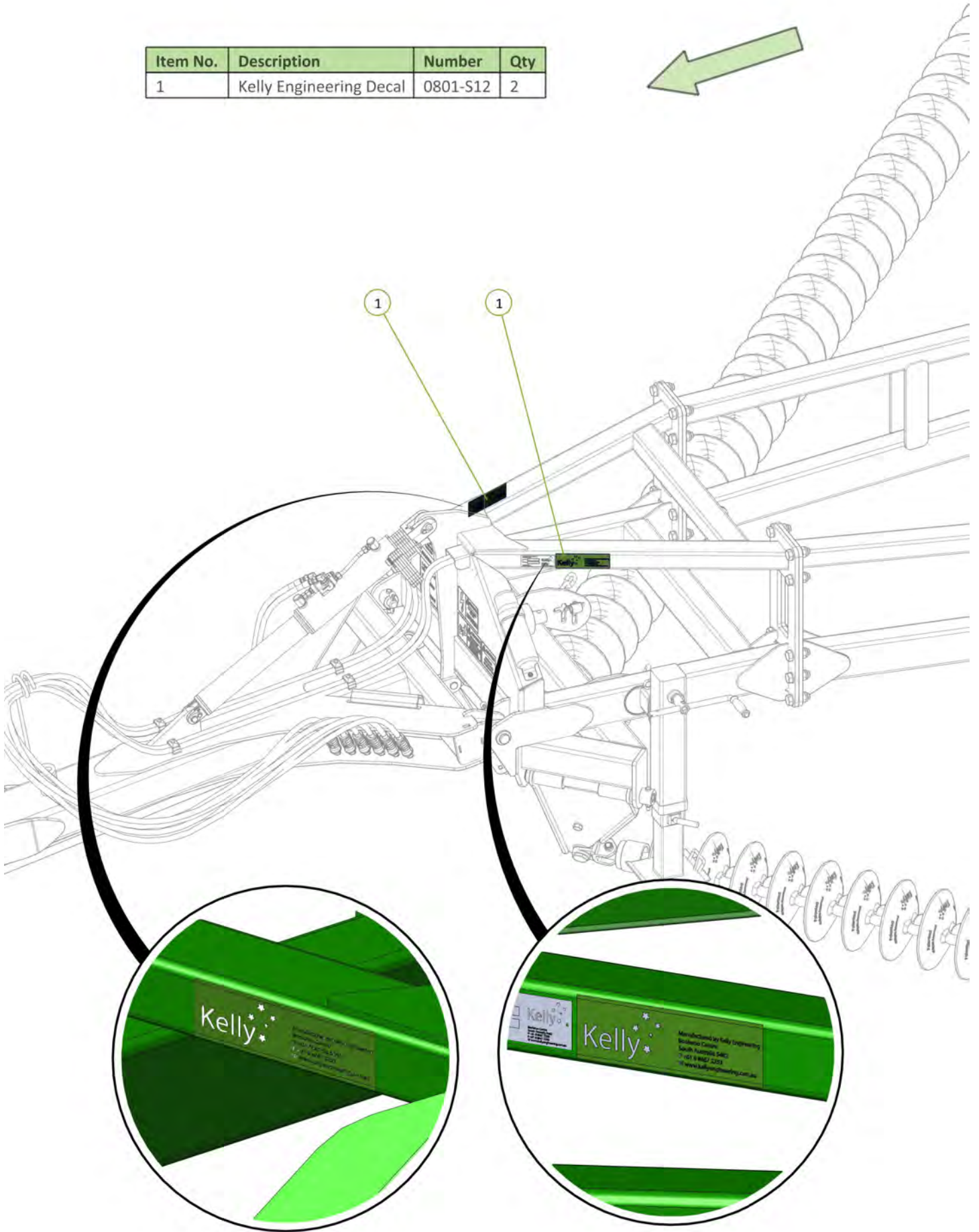
| Item No. | Description | Number | Qty |
|----------|----------------------------------|---------|-----|
| 1 | Hydraulic Pressure Caution Decal | 0801-S4 | 1 |
| 2 | Towing Speed Decal | 0801-S5 | 1 |
| 3 | Electrocution Hazard Decal | 0801-S6 | 1 |

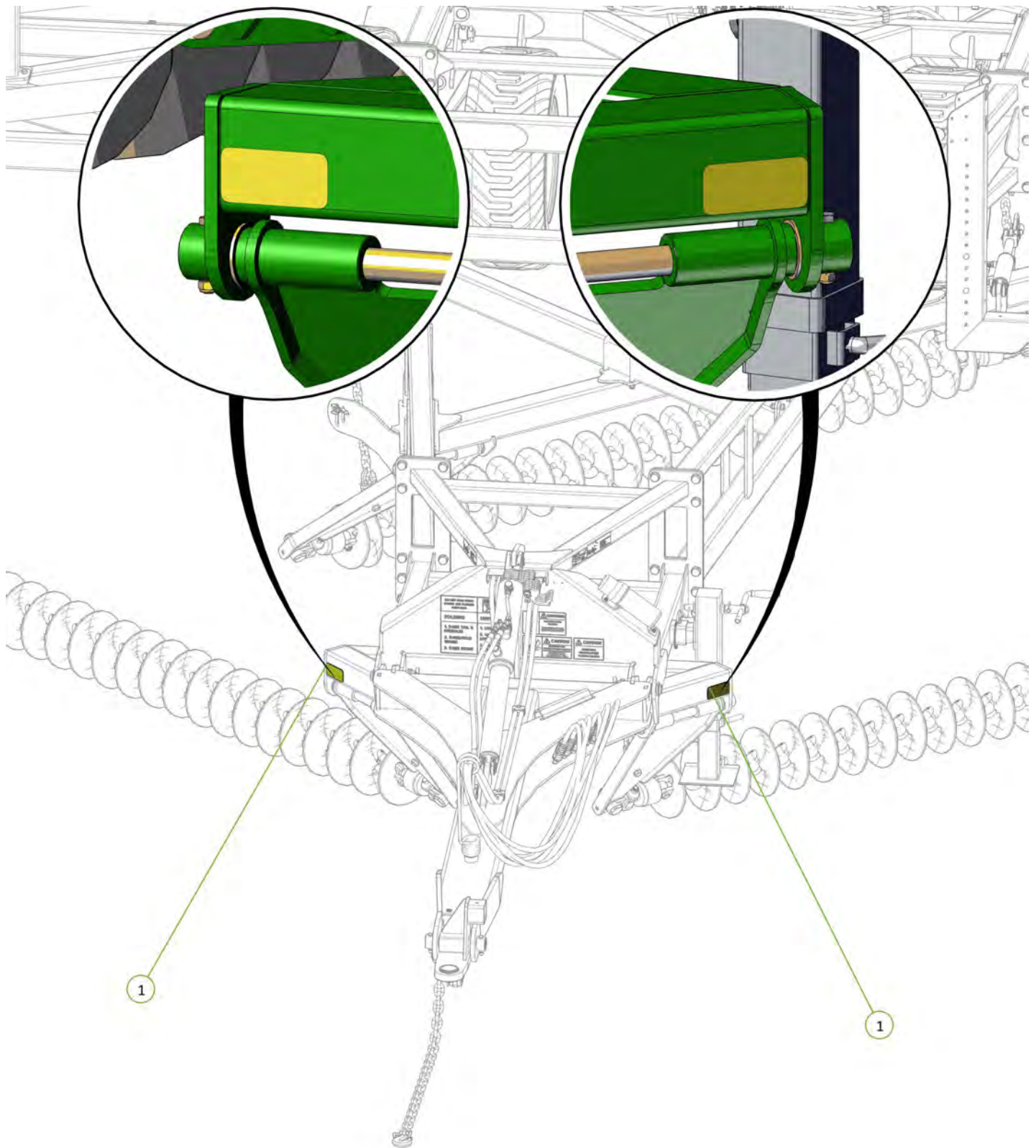


| Item No. | Description | Number | Qty |
|----------|-------------|----------|-----|
| 1 | Data Plate | 0801-SDP | 1 |



| Item No. | Description | Number | Qty |
|----------|-------------------------|----------|-----|
| 1 | Kelly Engineering Decal | 0801-S12 | 2 |

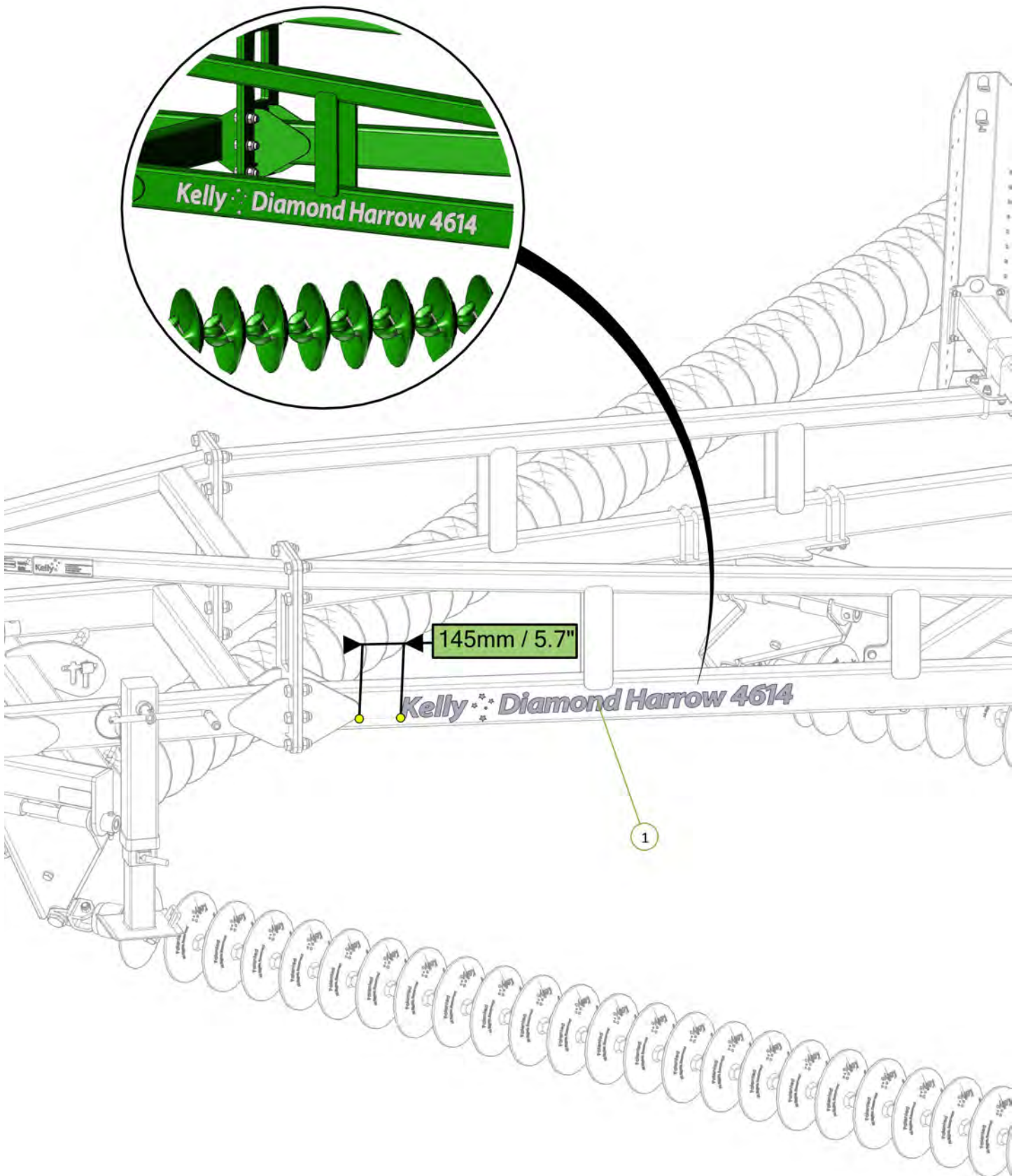
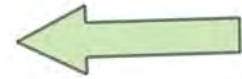




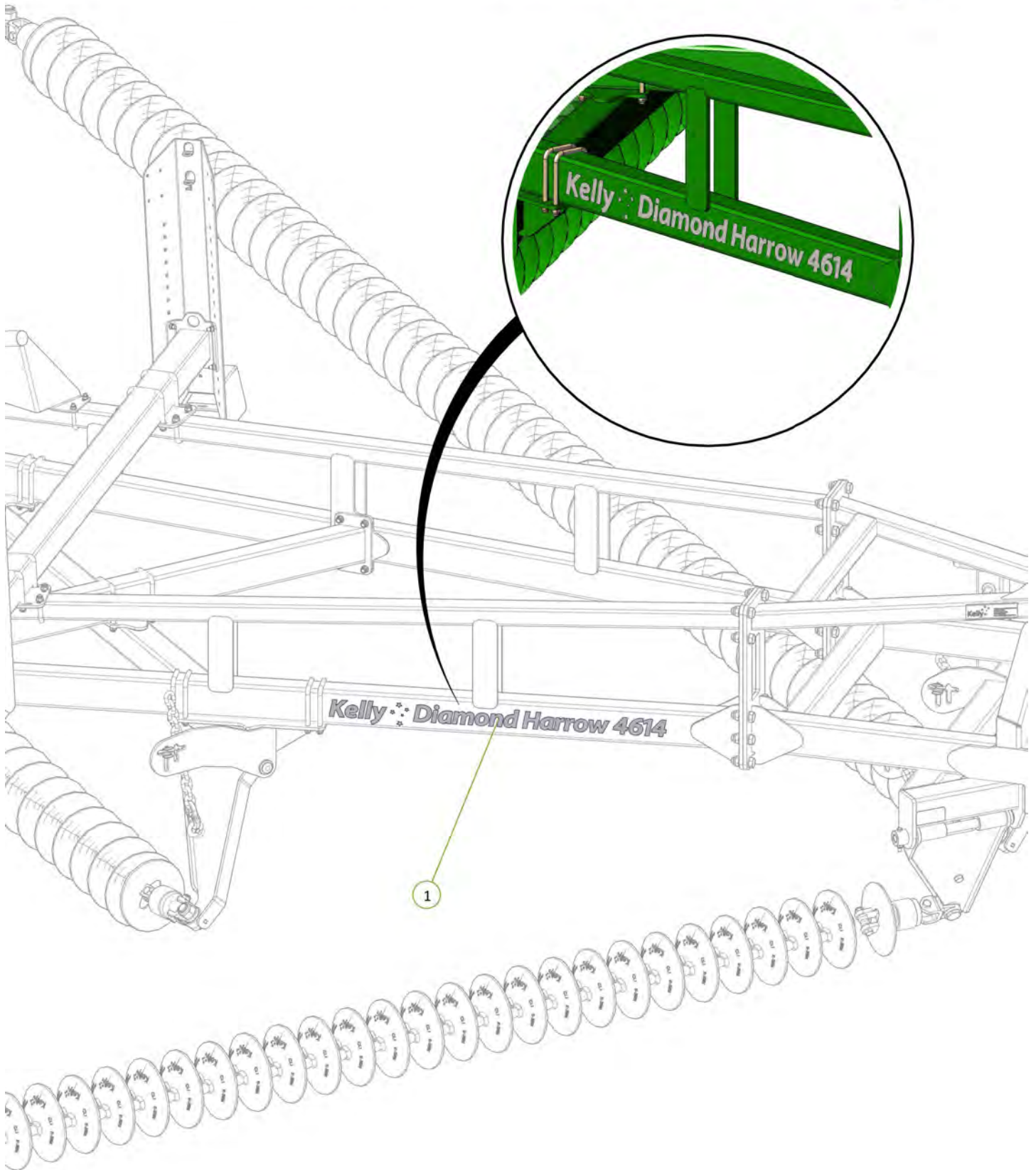
| Item No. | Description | Number | Qty |
|----------|-------------------------|-----------|-----|
| 1 | Yellow Reflective Decal | 0801-SYRF | 2 |

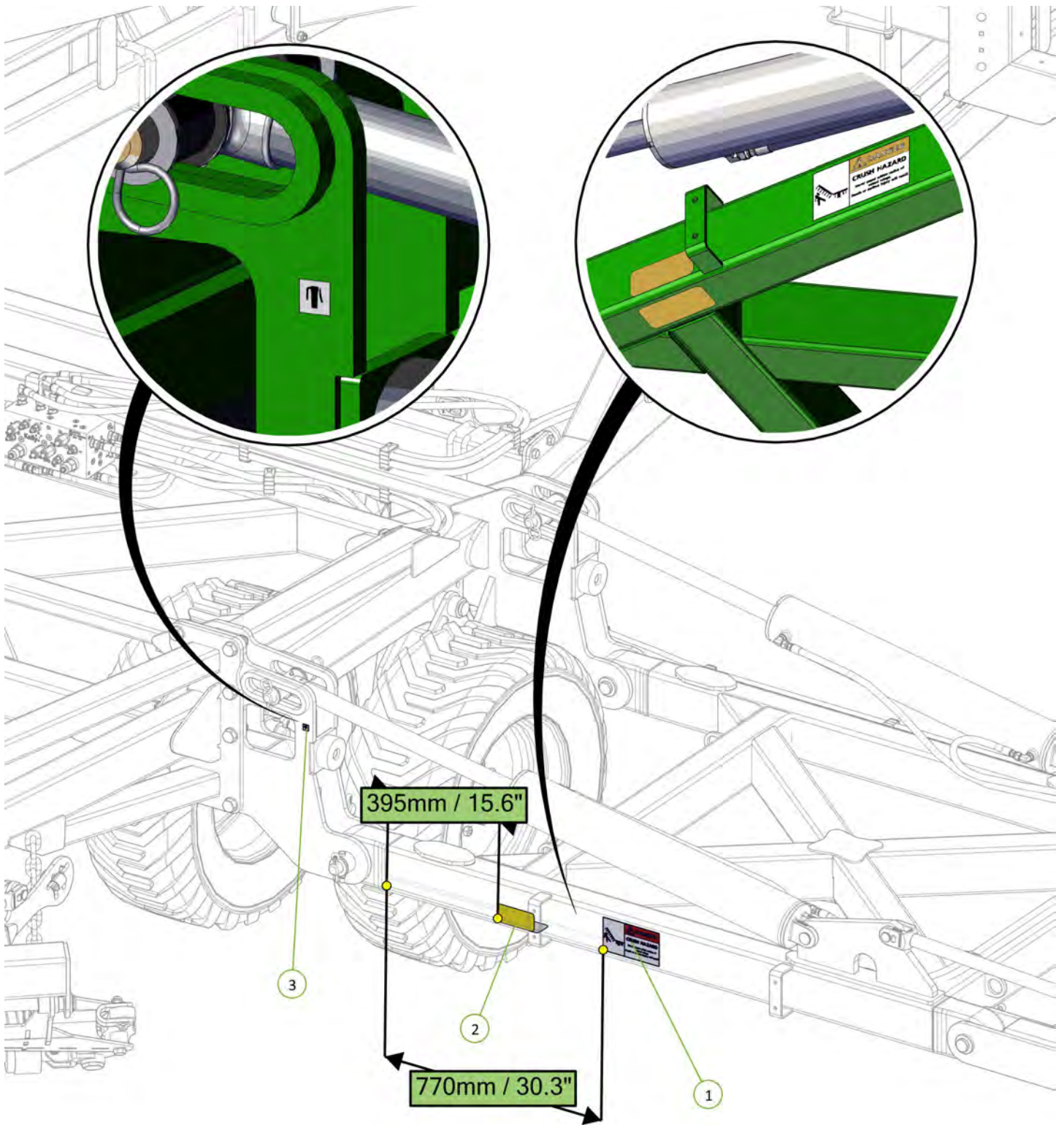


| Item No. | Description | Number | Qty |
|----------|---------------------------|---------------|-----|
| 1 | Diamond Harrow 4614 Decal | 0801-SKDH4614 | 1 |



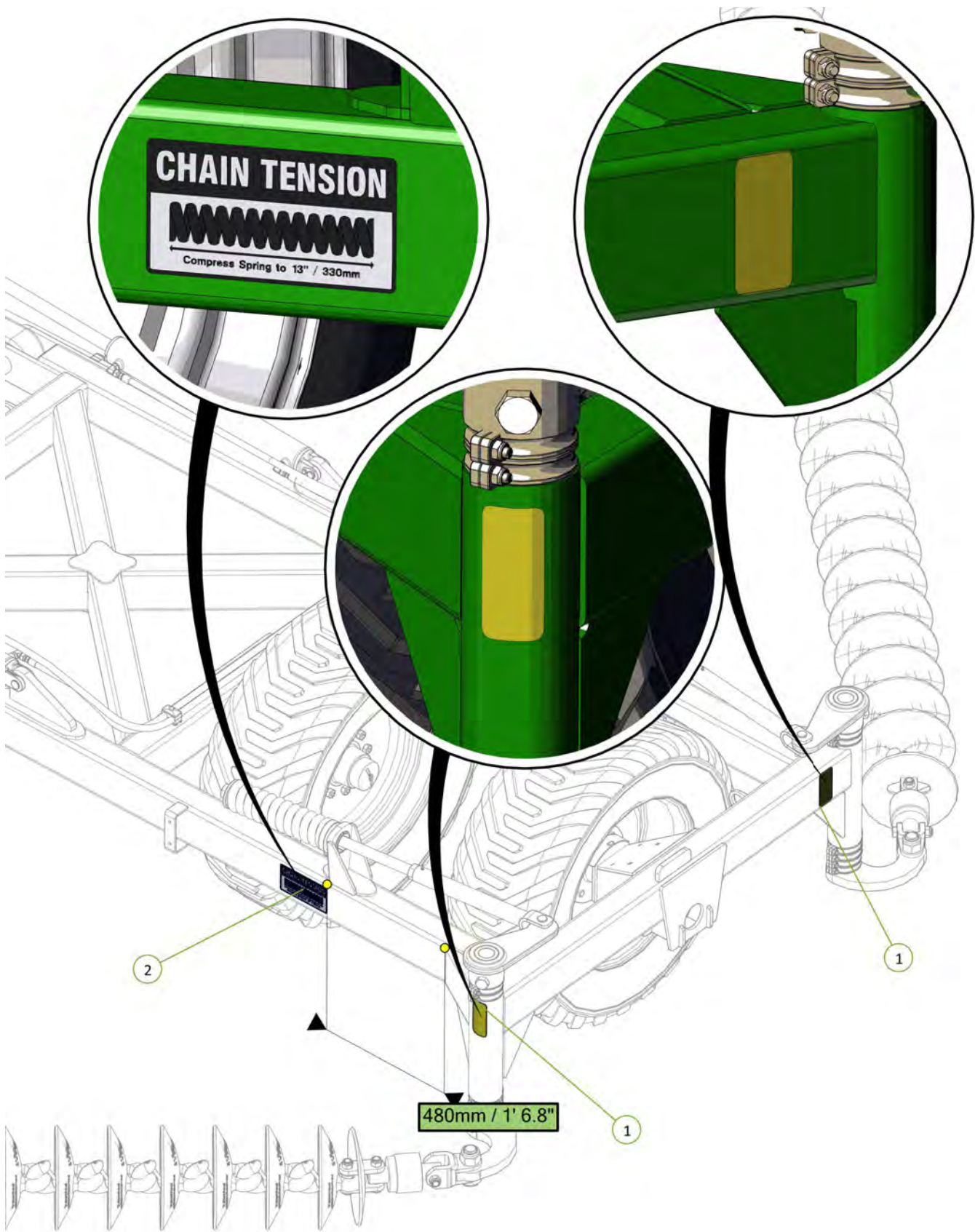
| Item No. | Description | Number | Qty |
|----------|---------------------------|---------------|-----|
| 1 | Diamond Harrow 4614 Decal | 0801-SKDH4614 | 1 |





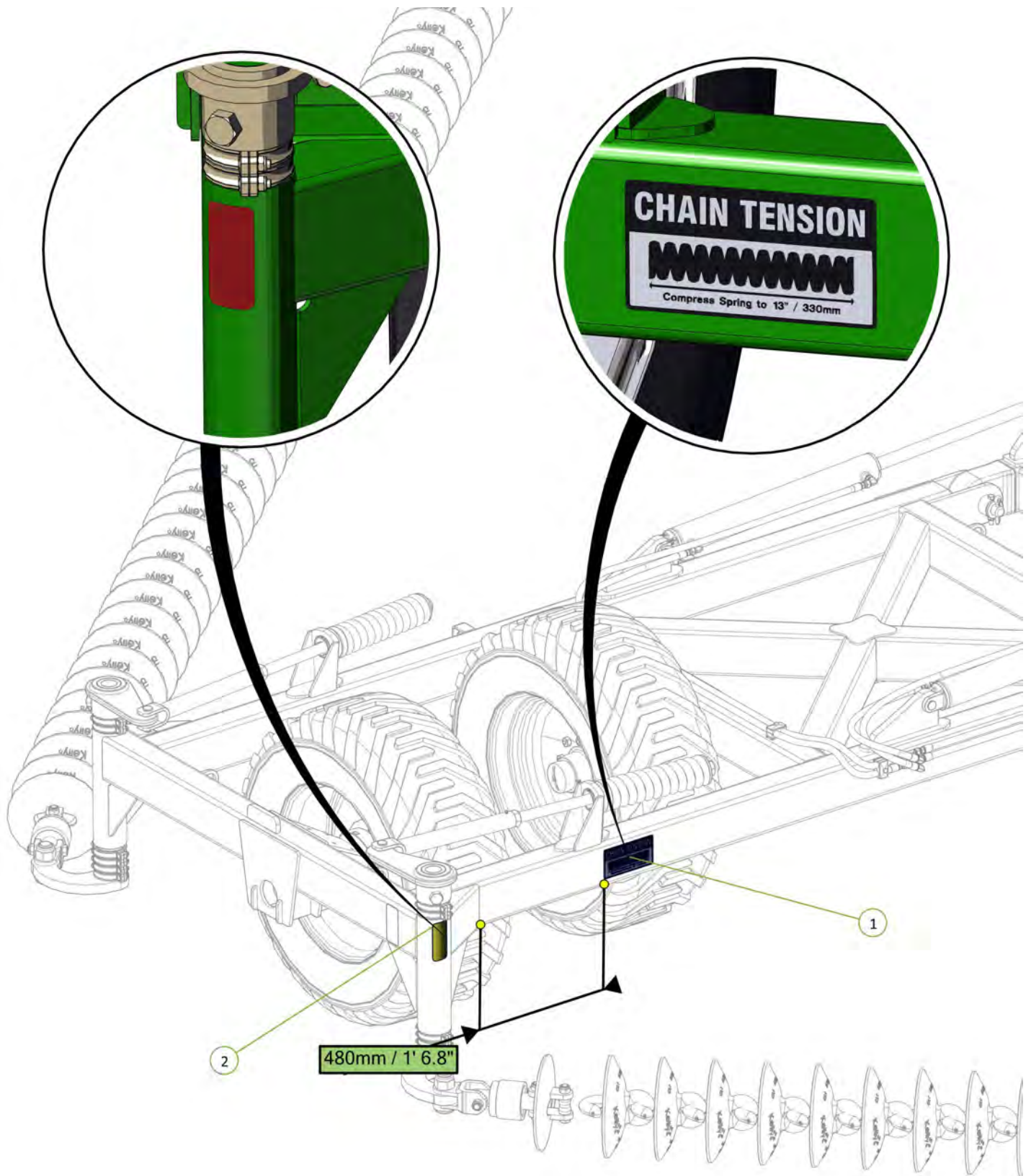
| Item No. | Description | Number | Qty |
|----------|---------------------------|-----------|-----|
| 1 | Danger Crush Hazard Decal | 0801-S3 | 1 |
| 2 | Yellow Reflective Decal | 0801-SYRF | 2 |
| 3 | Grease Decal | 0801-S10 | 1 |





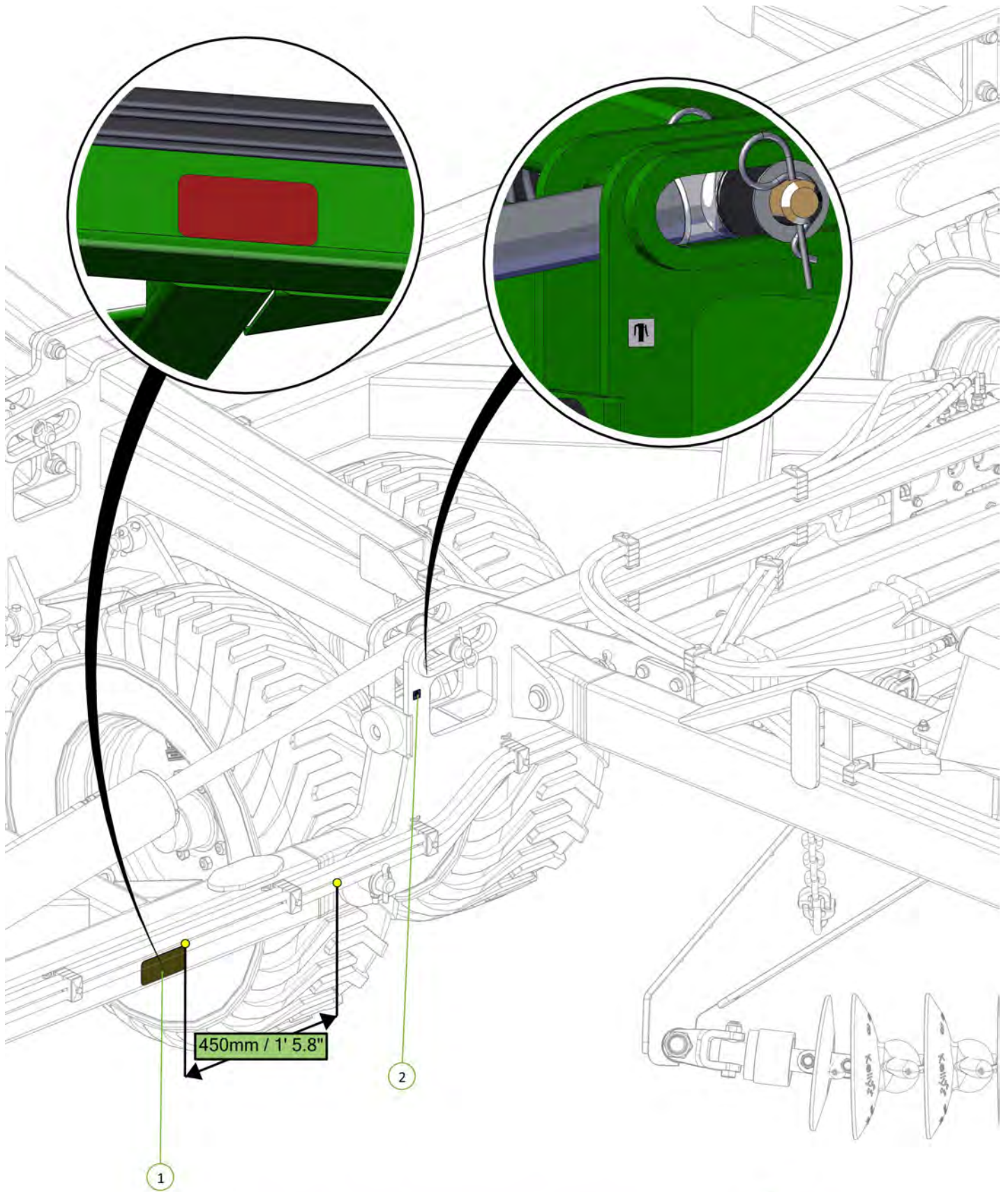
| Item No. | Description | Number | Qty |
|----------|---------------------------|-----------|-----|
| 1 | Yellow Reflective Decal | 0801-SYRF | 2 |
| 2 | Chain Tension 330mm Decal | 0801-S15 | 1 |





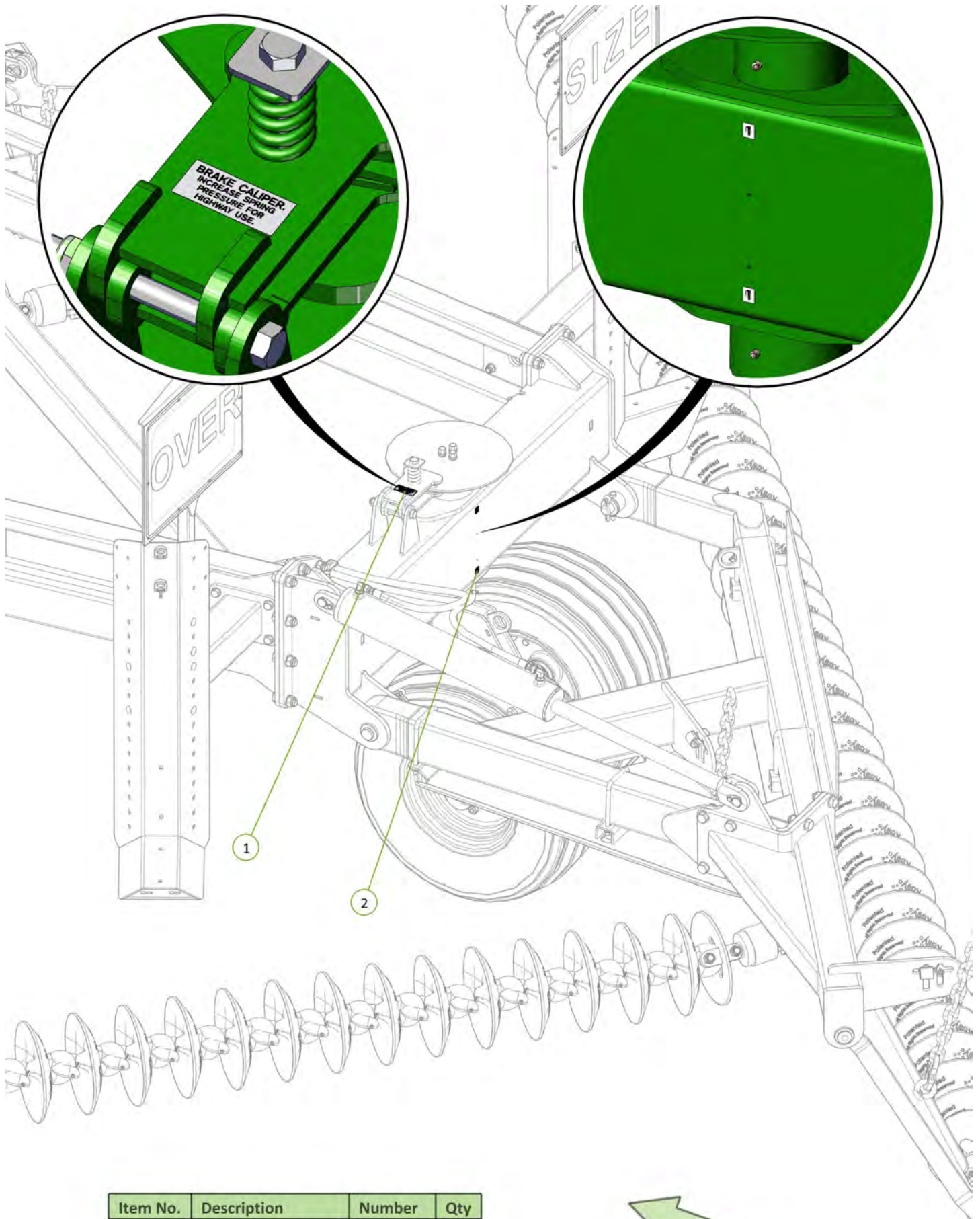
| Item No. | Description | Number | Qty |
|----------|---------------------------|-----------|-----|
| 1 | Chain Tension 330mm Decal | 0801-S15 | 1 |
| 2 | Red Reflective Decal | 0801-SRRF | 1 |





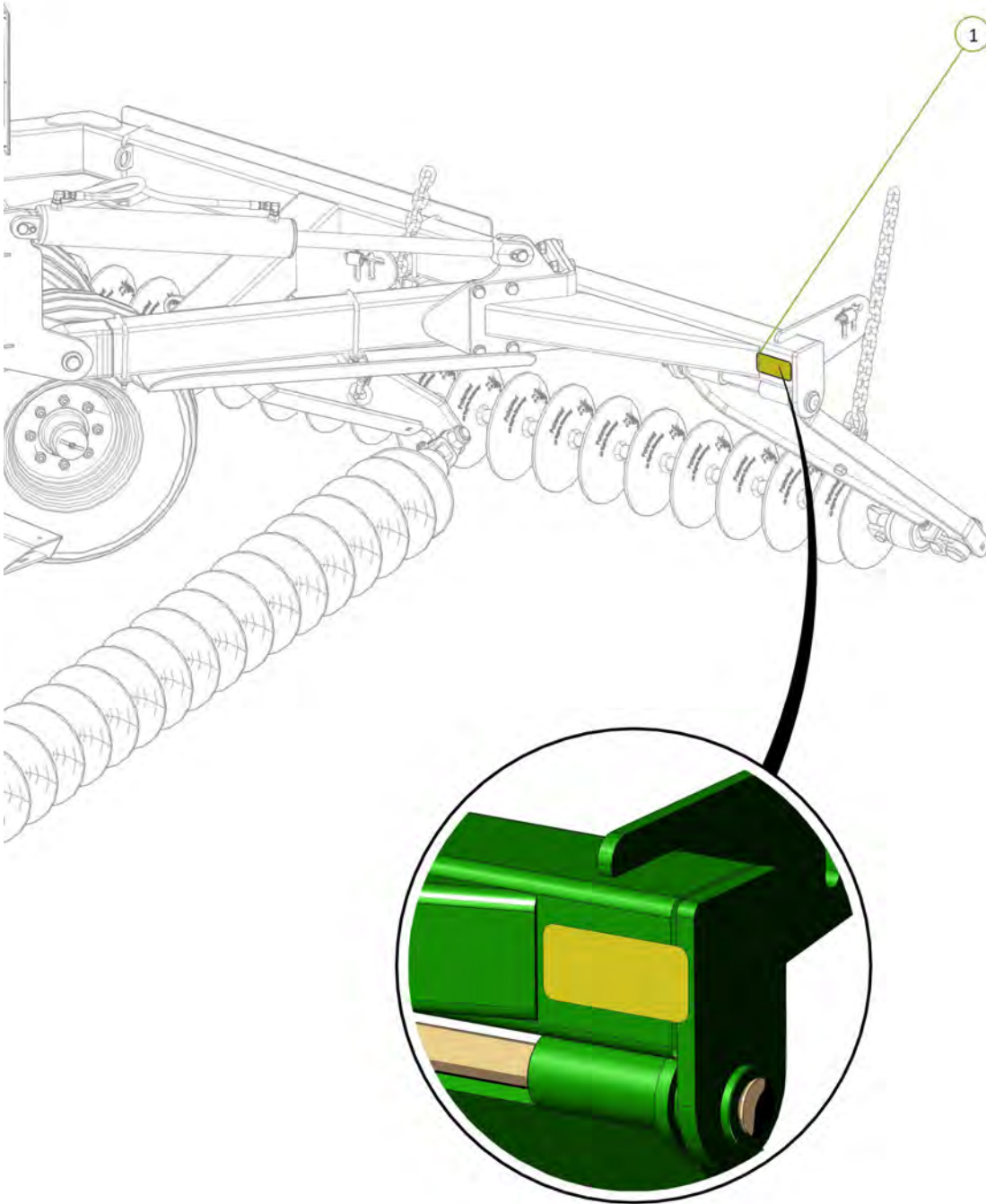
| Item No. | Description | Number | Qty |
|----------|----------------------|-----------|-----|
| 1 | Red Reflective Decal | 0801-SRRF | 1 |
| 2 | Grease Decal | 0801-S10 | 1 |



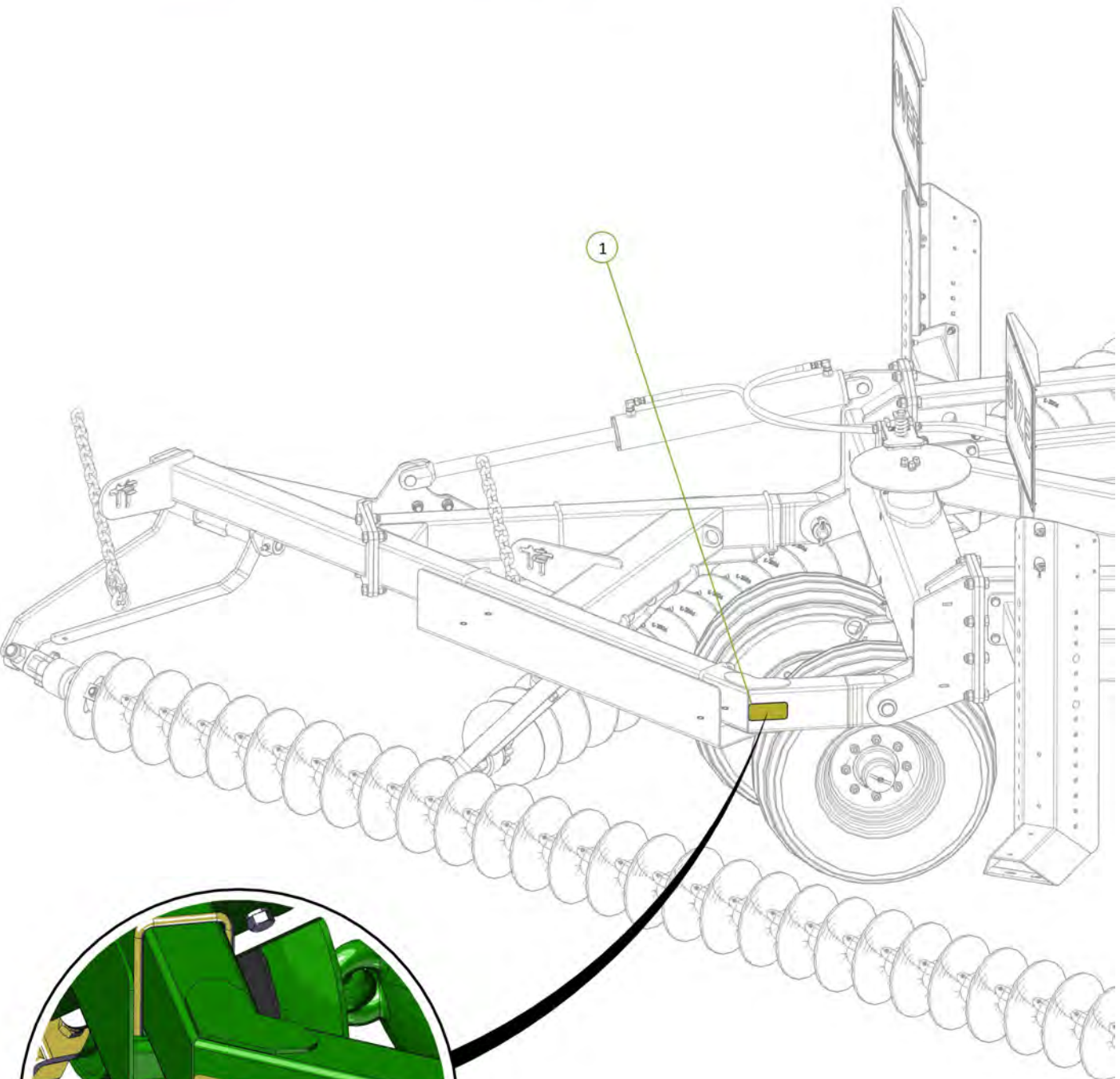


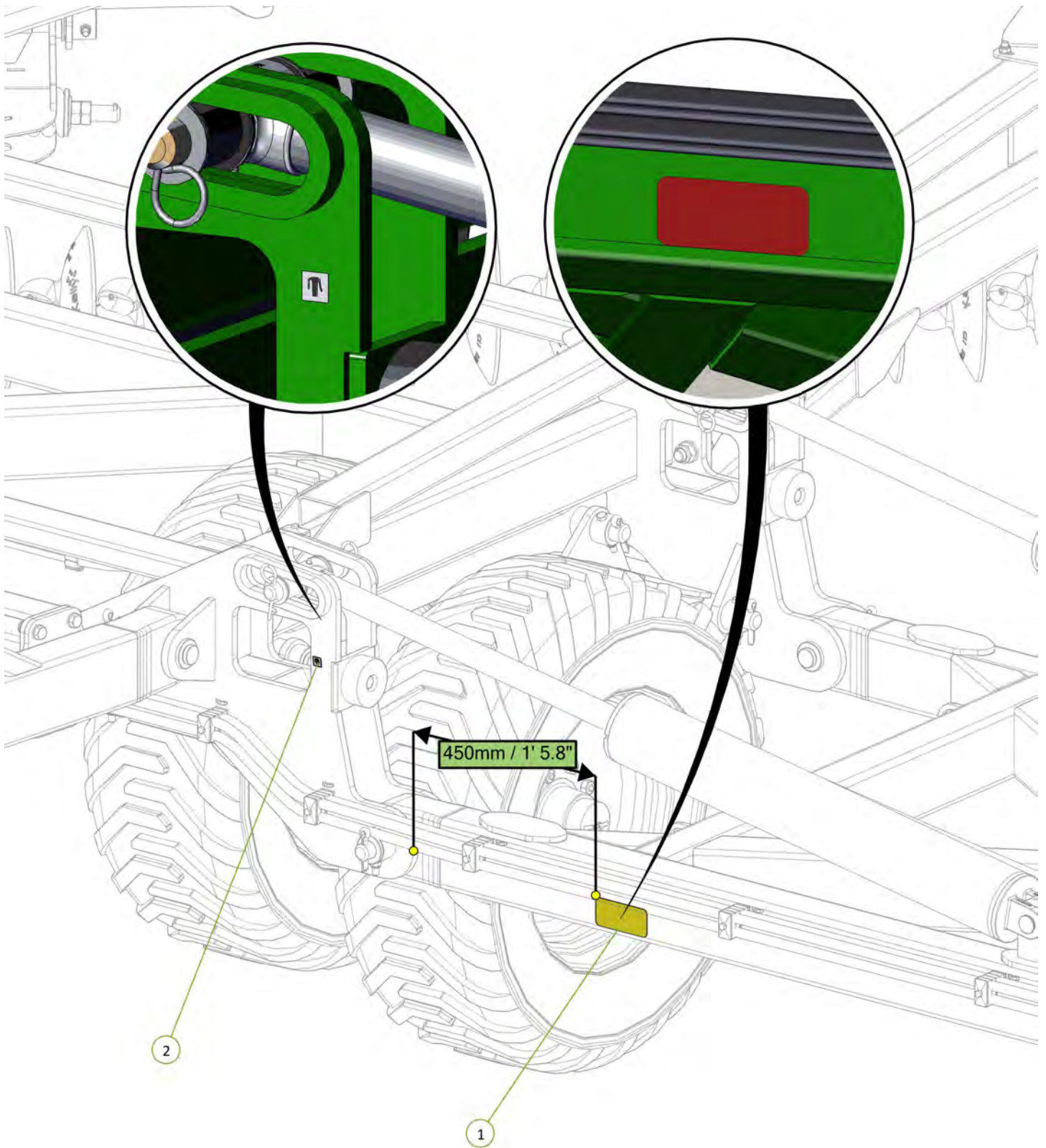
| Item No. | Description | Number | Qty |
|----------|---------------------|----------|-----|
| 1 | Brake Caliper Decal | 0801-S11 | 1 |
| 2 | Grease Decal | 0801-S10 | 2 |

| Item No. | Description | Number | Qty |
|----------|-------------------------|-----------|-----|
| 1 | Yellow Reflective Decal | 0801-SYRF | 1 |



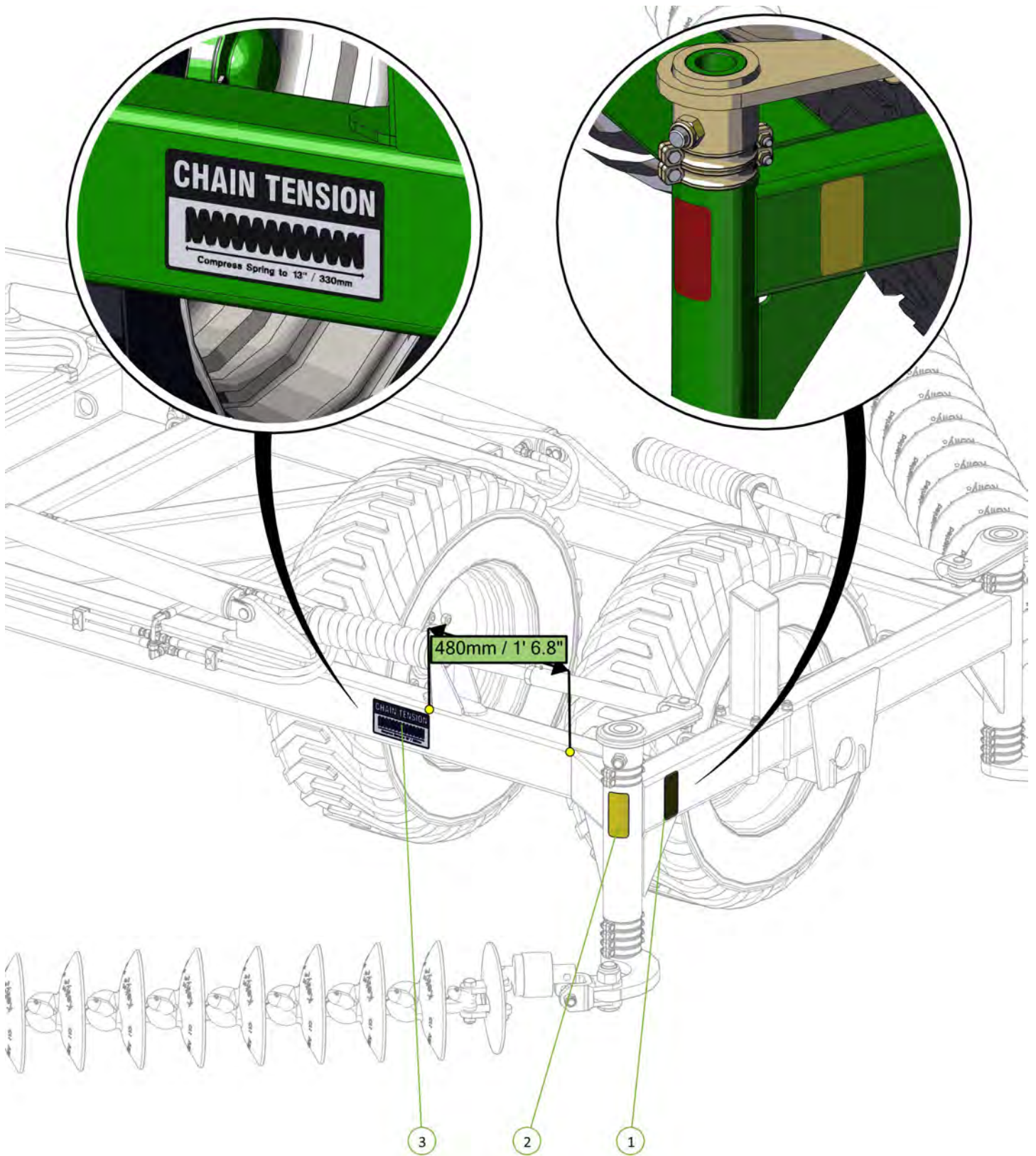
| Item No. | Description | Number | Qty |
|----------|-------------------------|-----------|-----|
| 1 | Yellow Reflective Decal | 0801-SYRF | 1 |





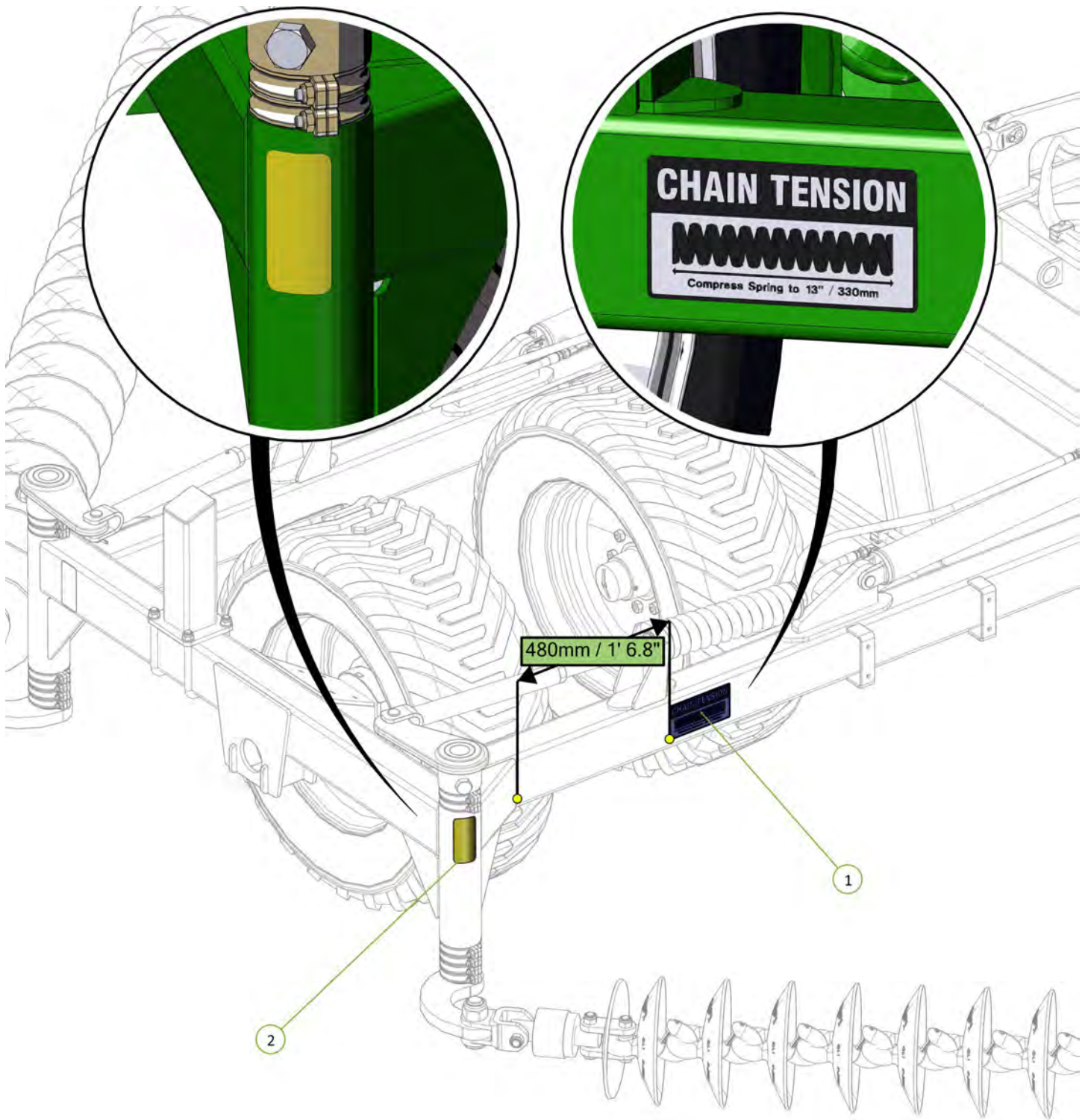
| Item No. | Description | Number | Qty |
|----------|----------------------|-----------|-----|
| 1 | Red Reflective Decal | 0801-SRRF | 1 |
| 2 | Grease Decal | 0801-S10 | 1 |



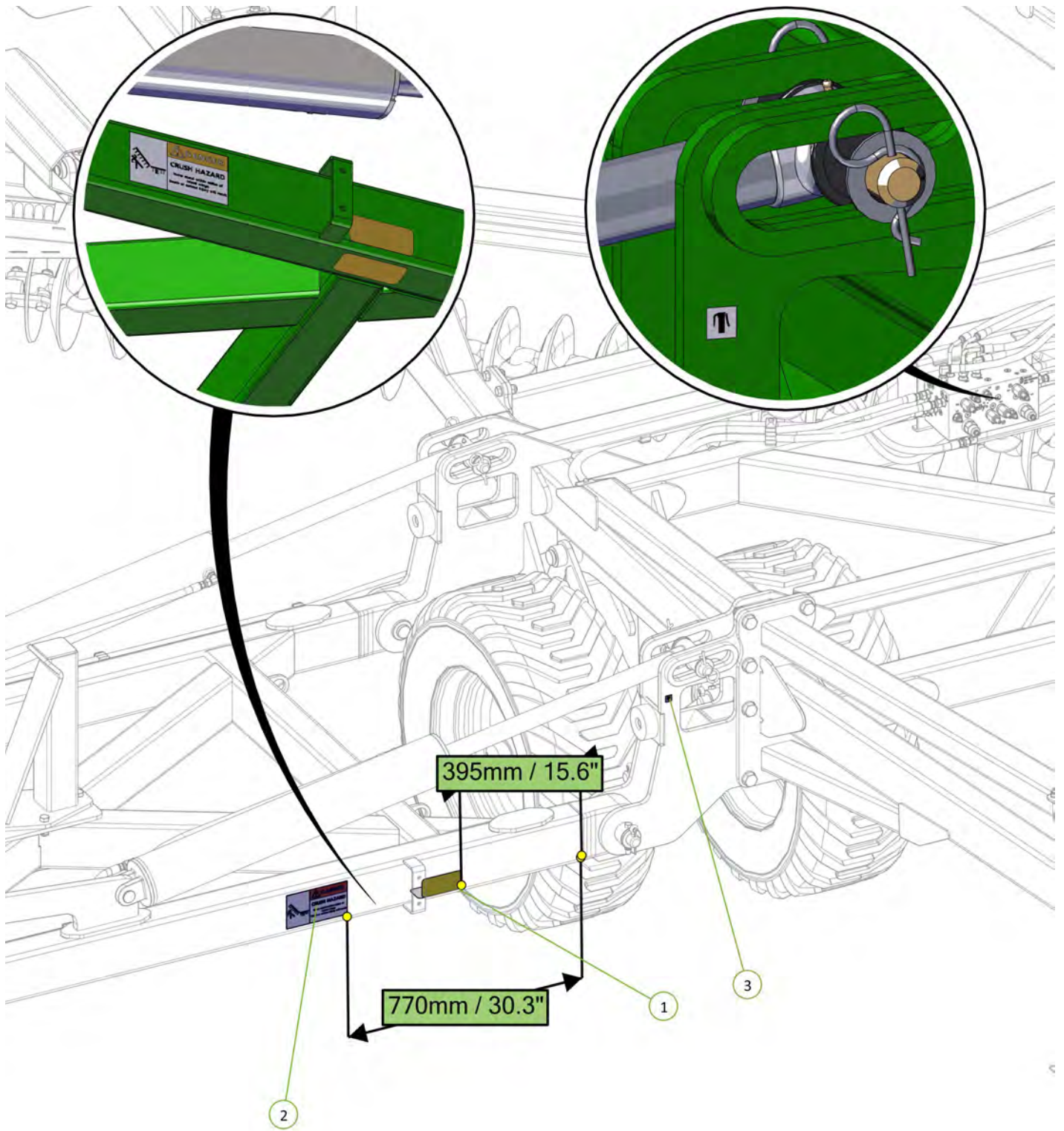


| Item No. | Description | Number | Qty |
|----------|---------------------------|-----------|-----|
| 1 | Yellow Reflective Decal | 0801-SYRF | 1 |
| 2 | Red Reflective Decal | 0801-SRRF | 1 |
| 3 | Chain Tension 330mm Decal | 0801-S15 | 1 |





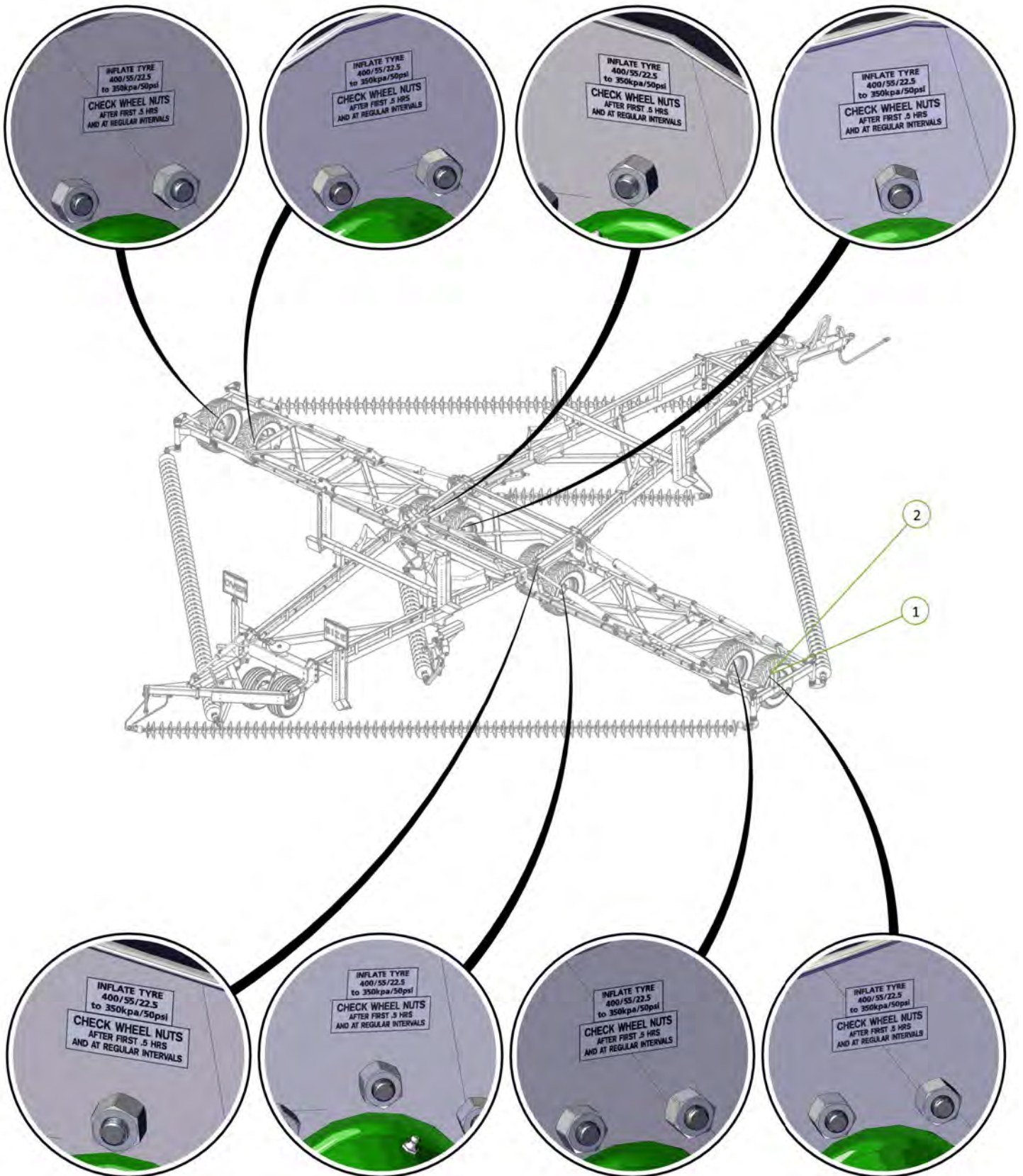
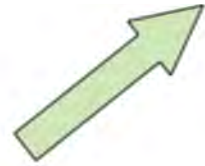
| Item No. | Description | Number | Qty |
|----------|---------------------------|-----------|-----|
| 1 | Chain Tension 330mm Decal | 0801-S15 | 1 |
| 2 | Yellow Reflective Decal | 0801-SYRF | 1 |



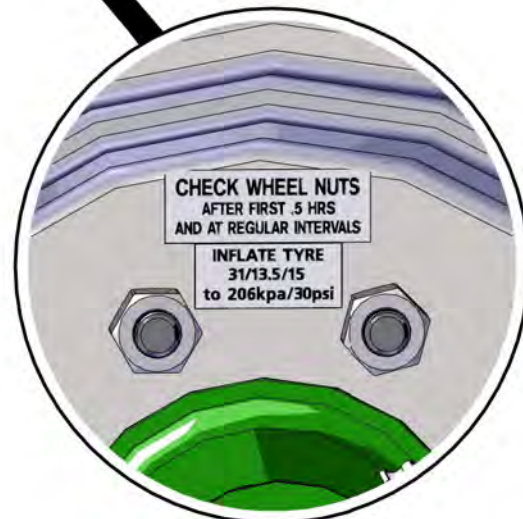
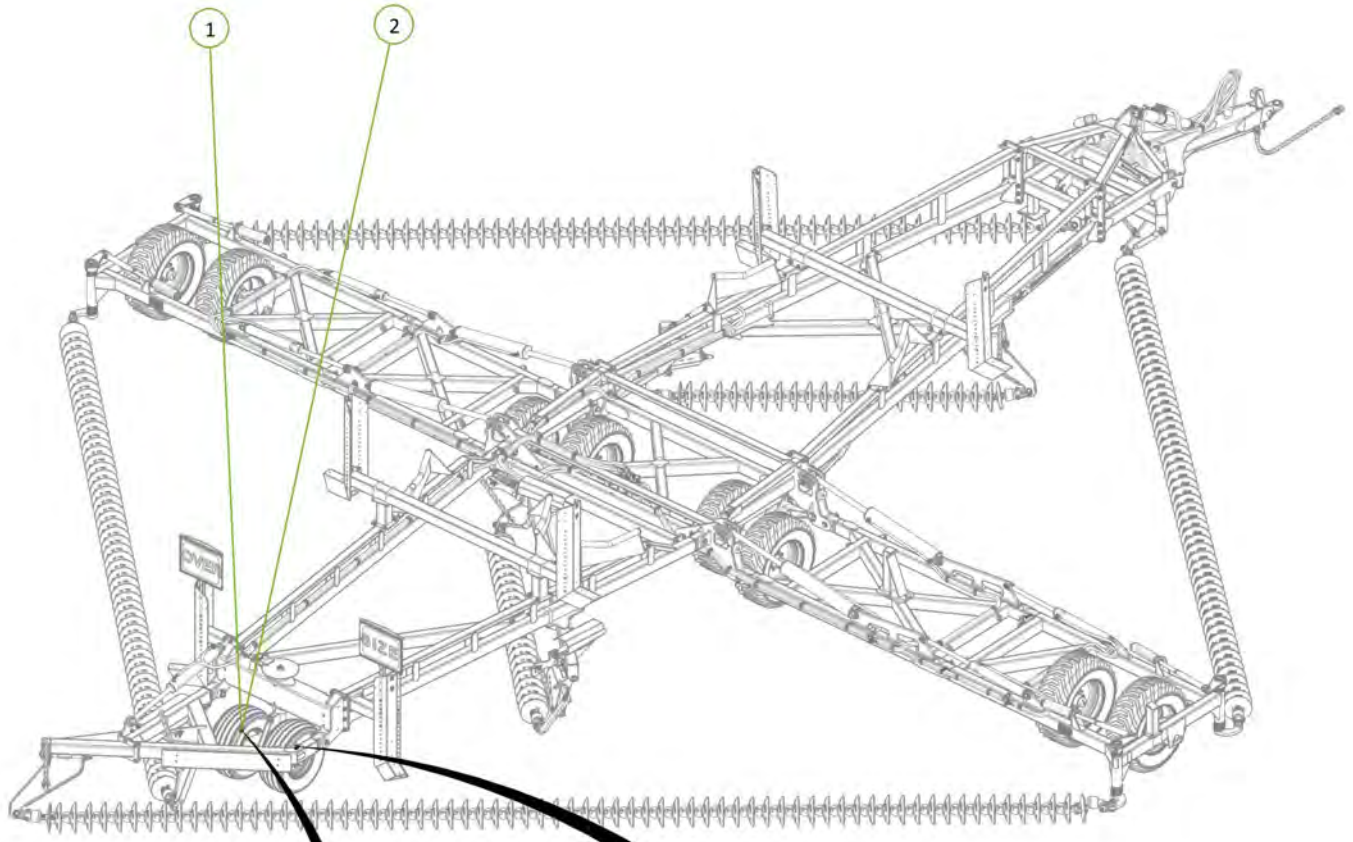
| Item No. | Description | Number | Qty |
|----------|---------------------------|-----------|-----|
| 1 | Yellow Reflective Decal | 0801-SYRF | 2 |
| 2 | Danger Crush Hazard Decal | 0801-S3 | 1 |
| 3 | Grease Decal | 0801-S10 | 1 |

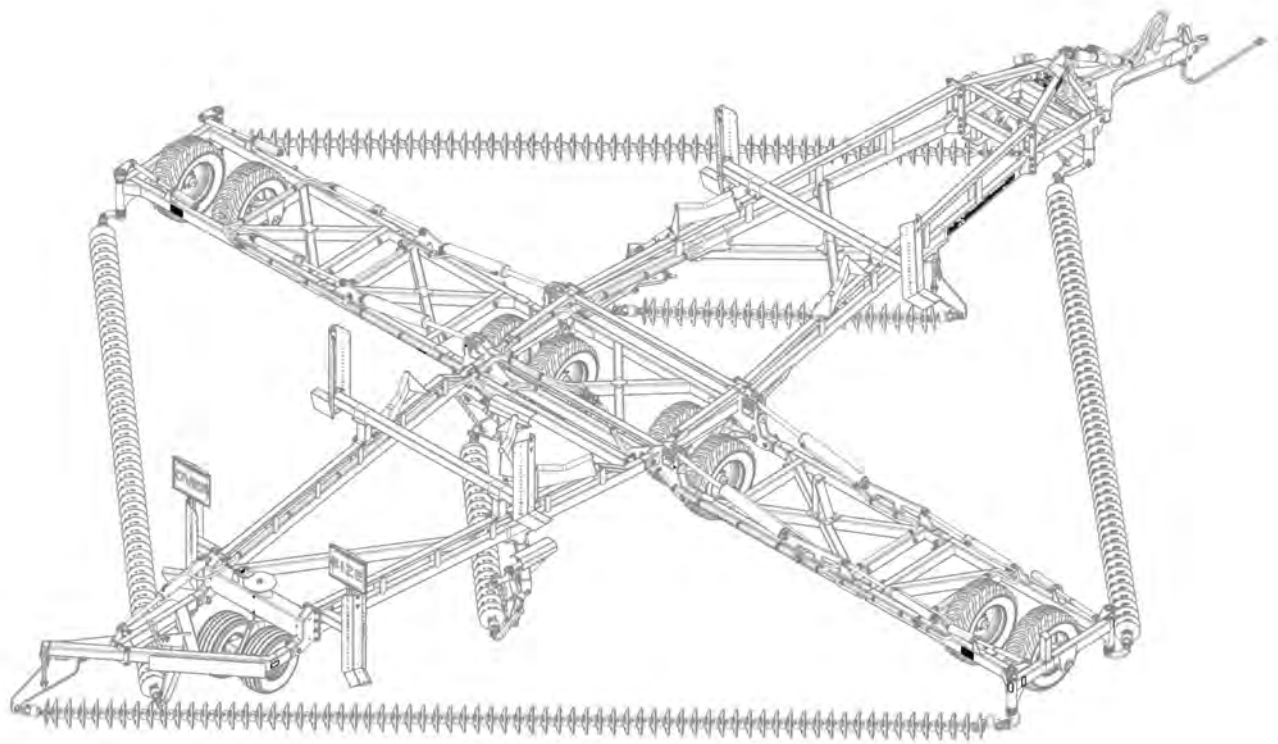


| Item No. | Description | Number | Qty |
|----------|----------------------------------|---------------------|-----|
| 1 | Wheel Nut Decal | 0801-S9 | 8 |
| 2 | 400/55/22.5 Tyre Inflation Decal | 0801-S8-400-55-22.5 | 8 |



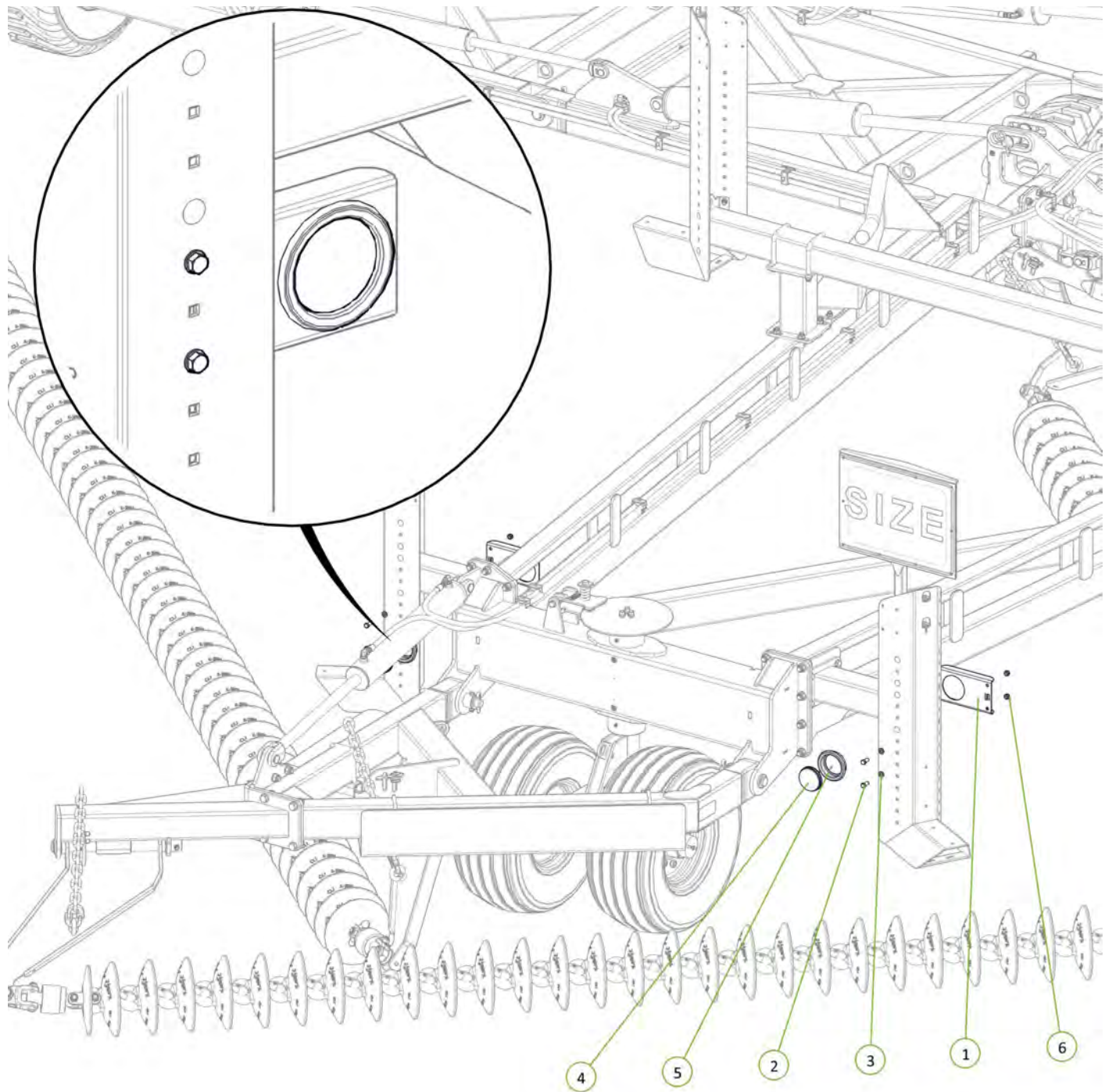
| Item No. | Description | Number | Qty |
|----------|----------------------------------|--------------------|-----|
| 1 | Decal, 31/13.5/15 Tyre Inflation | 0801-S8-31-13.5-15 | 2 |
| 2 | Wheel Nut Decal | 0801-S9 | 2 |





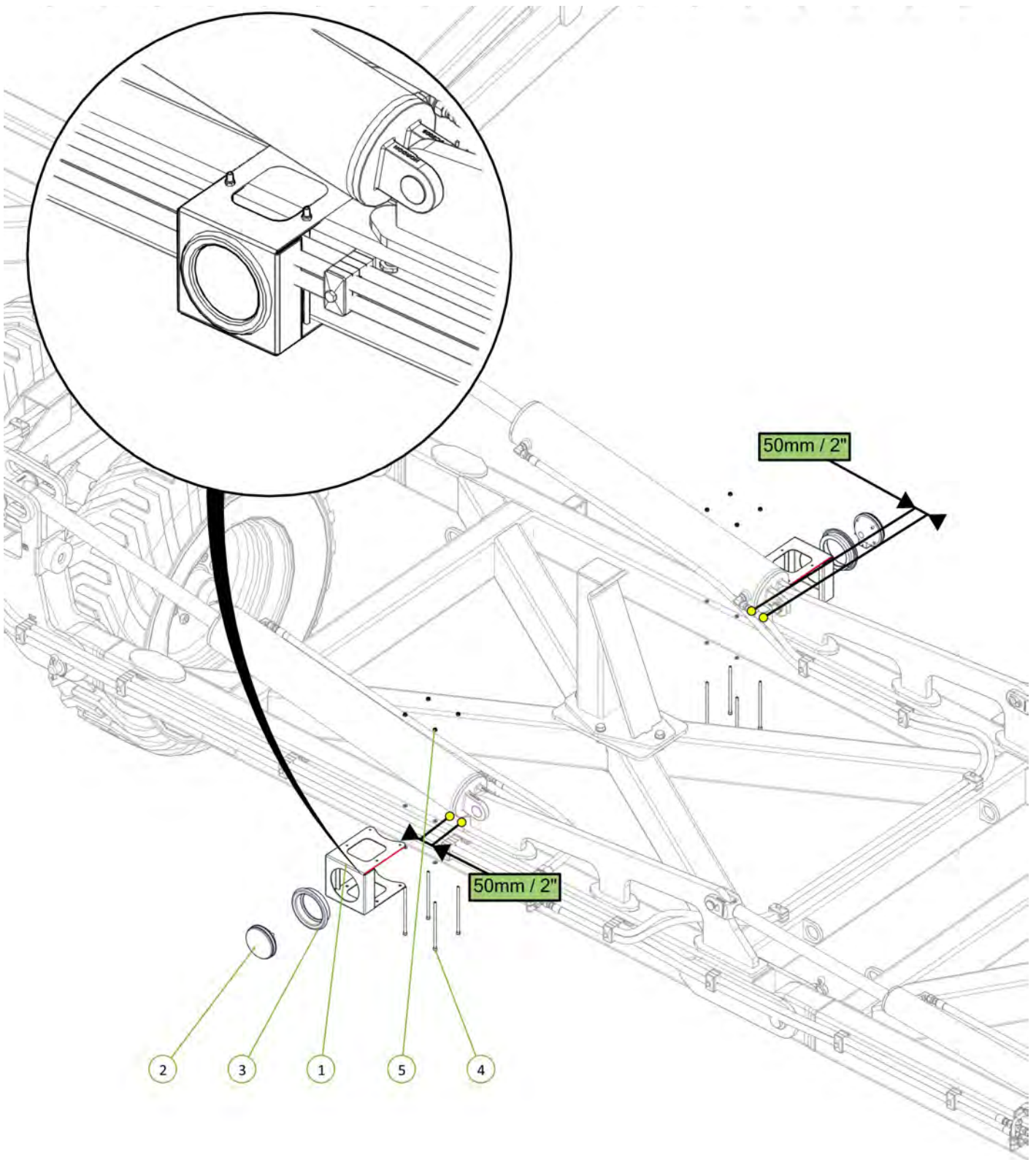
Section 4

Light Kit



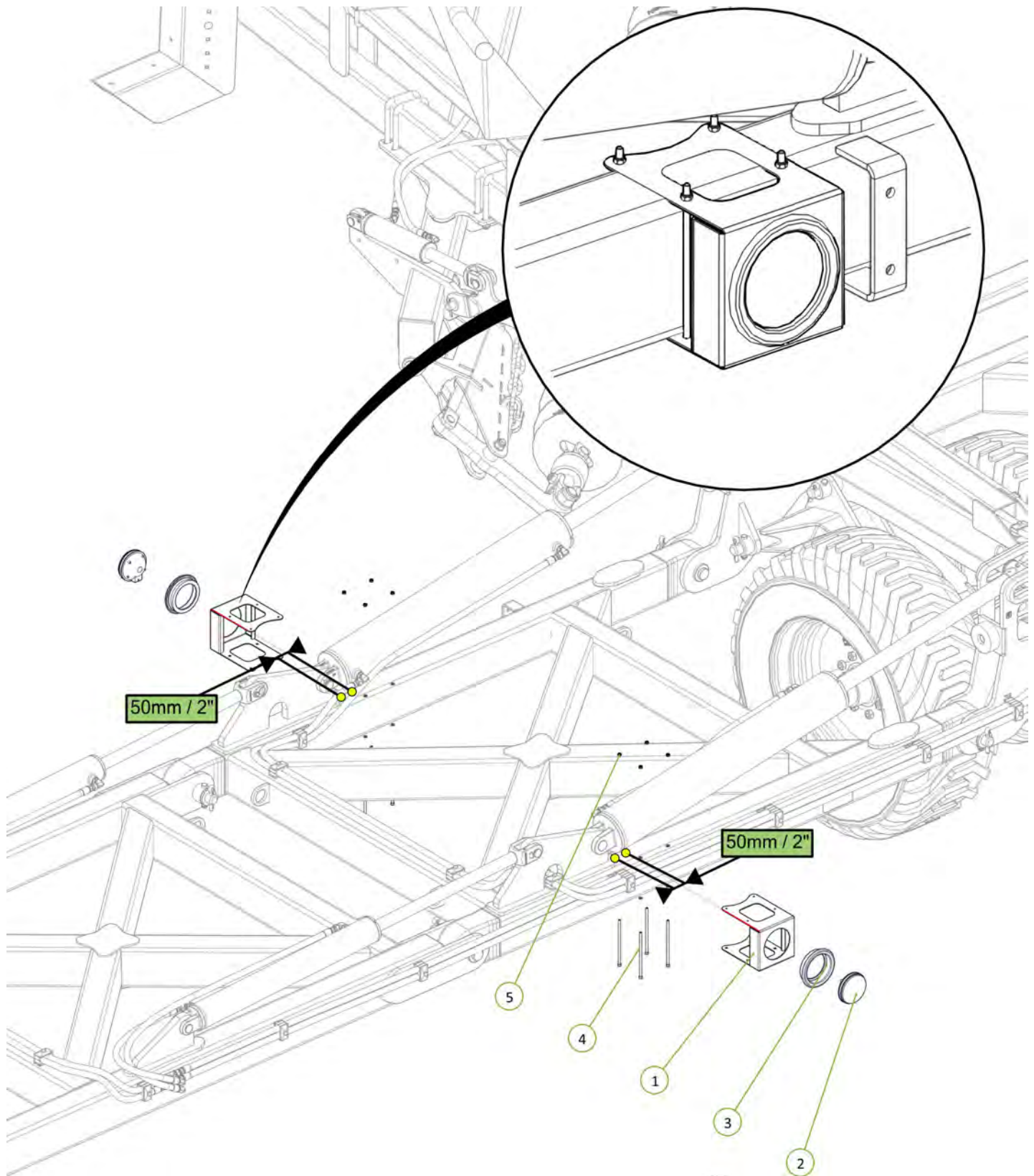
| Item No. | Description | Qty | Number |
|----------|----------------------------|-----|---------------|
| 1 | Extended Light Bracket | 2 | 0800-631 |
| 2 | M12 x 30 grade 8.8 ZP Bolt | 4 | 0211-1230 |
| 3 | Washer Flat M12 | 4 | 0231-F12 |
| 4 | LED Stop Tail Lamp | 2 | 0412-LED110RM |
| 5 | 110RM Rubber Grommet | 2 | 0412-53101RG |
| 6 | Nyloc Nut M12 | 4 | 0221-NYL12 |





| Item No. | Description | Qty | Number |
|----------|------------------------------|-----|---------------|
| 1 | Wing light bracket | 2 | 0800-296 |
| 2 | LED Rear Indicator Lamp | 2 | 0412-LED110AM |
| 3 | 110RM Rubber Grommet | 2 | 0412-53101RG |
| 4 | Socket Head Bolt M6 x 170 zp | 8 | 0211-SH6170 |
| 5 | Nyloc Nut M6 | 8 | 0221-NYL6 |

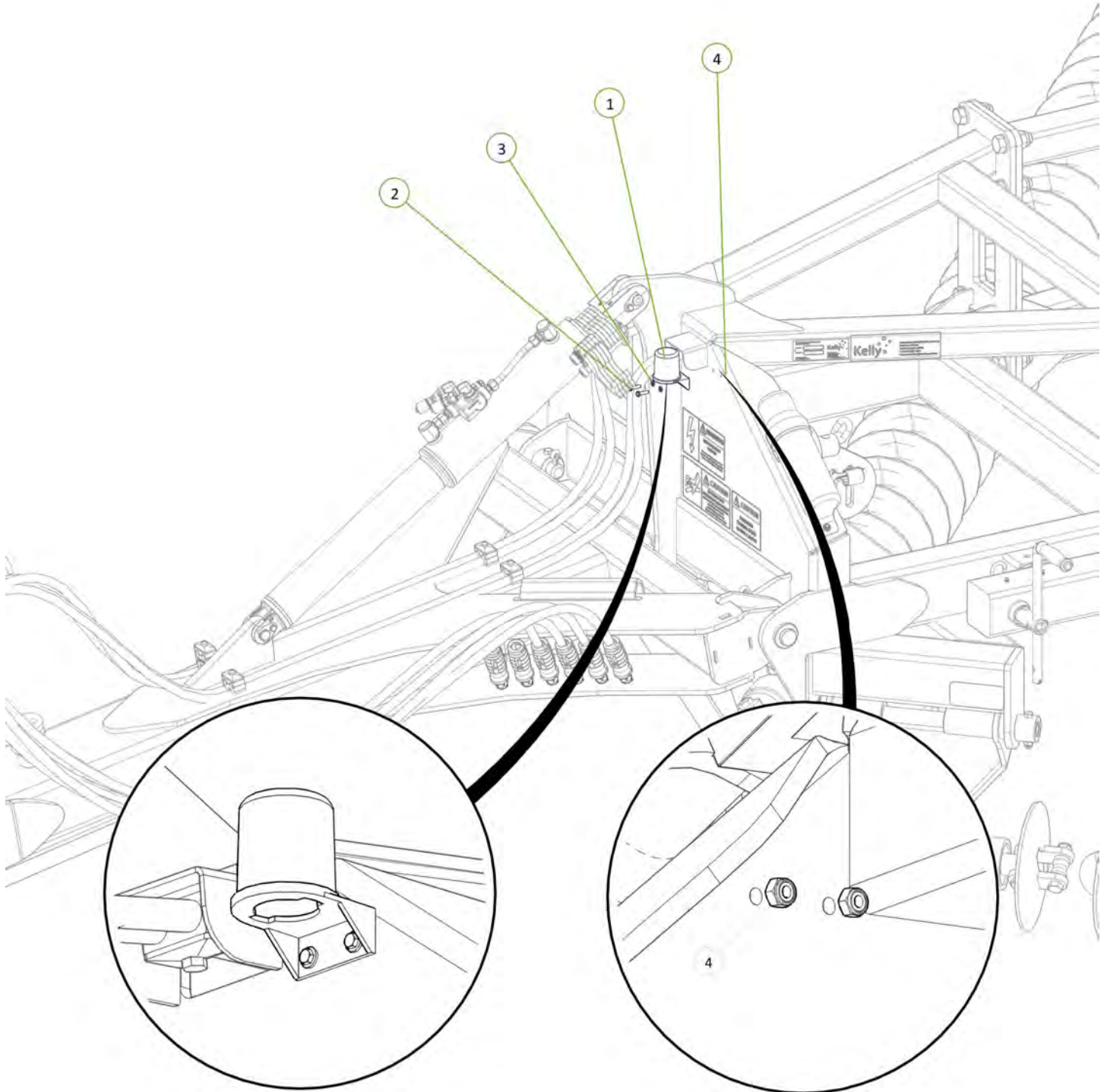
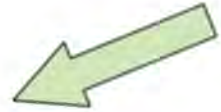


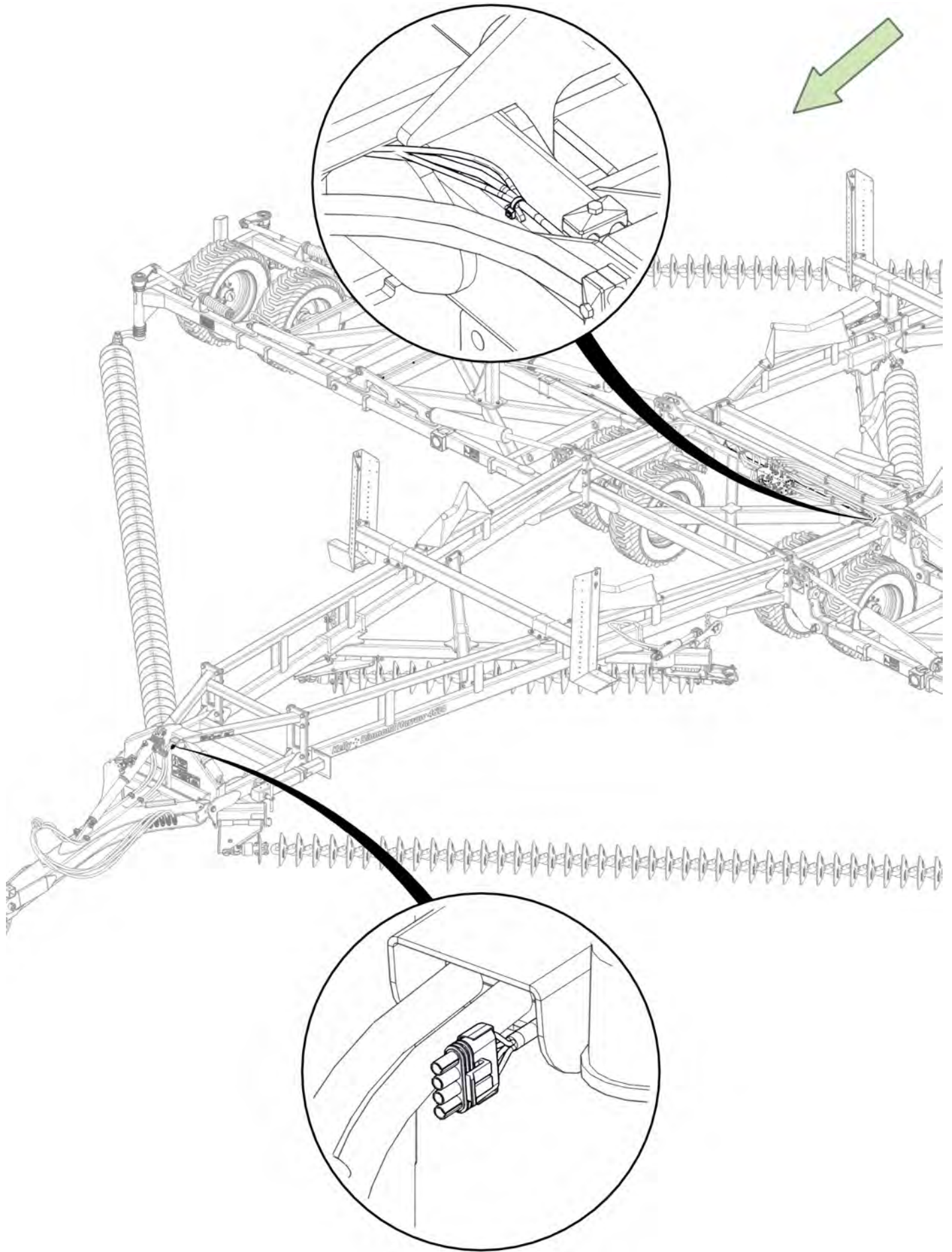


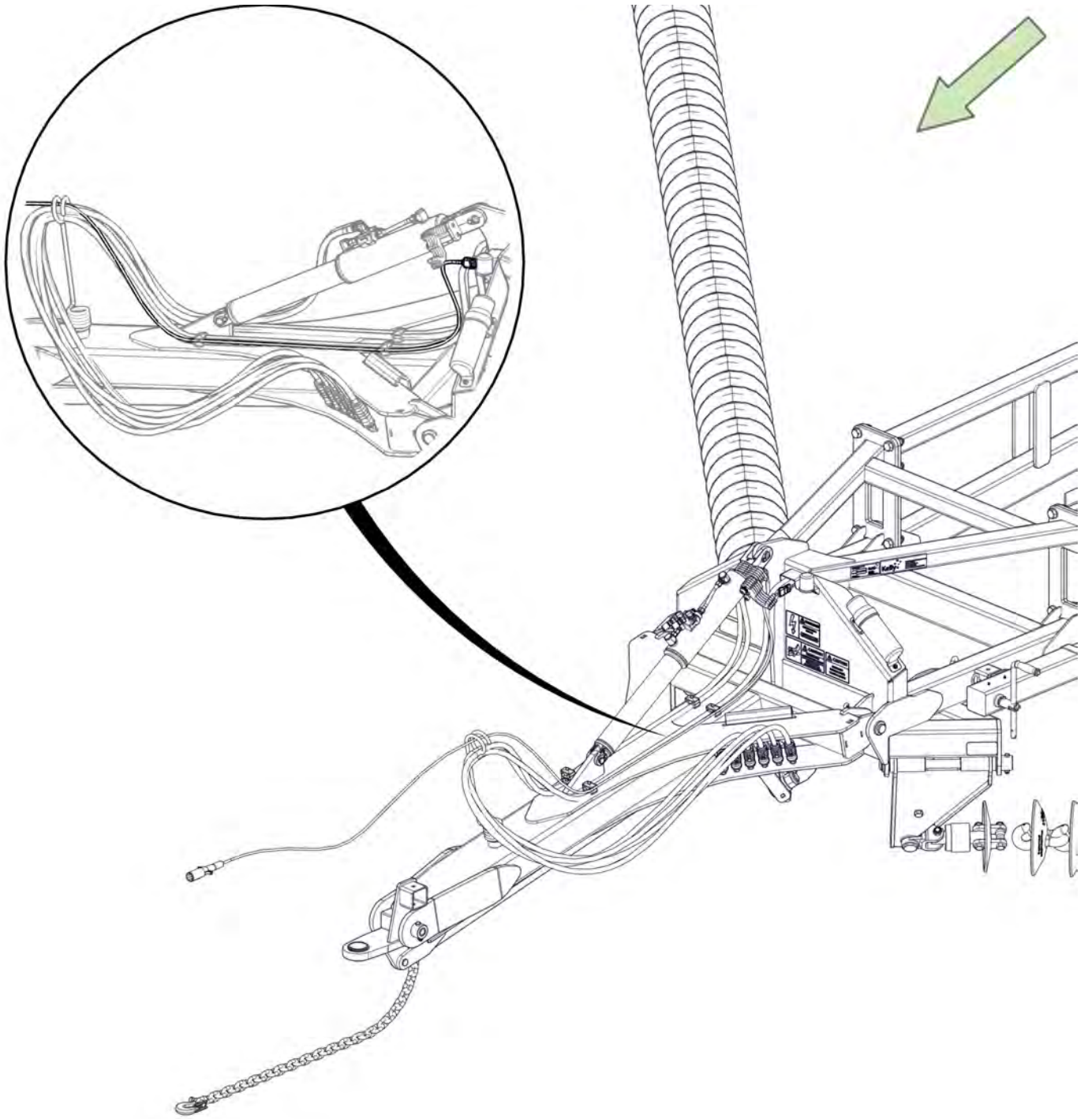
| Item No. | Description | Qty | Number |
|----------|------------------------------|-----|---------------|
| 1 | Wing light bracket | 2 | 0800-296 |
| 2 | LED Rear Indicator Lamp | 2 | 0412-LED110AM |
| 3 | 110RM Rubber Grommet | 2 | 0412-53101RG |
| 4 | Socket Head Bolt M6 x 170 zp | 8 | 0211-SH6170 |
| 5 | Nyloc Nut M6 | 8 | 0221-NYL6 |



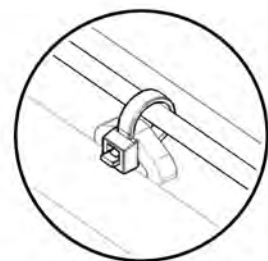
| Item No. | Description | Qty | Number |
|----------|---------------------------|-----|-------------|
| 1 | Electrical Plug Keeper | 1 | 0416-11750B |
| 2 | M6 x 25 Class 8.8 ZP Bolt | 2 | 0211-625 |
| 3 | Washer Flat M6 | 2 | 0231-F6 |
| 4 | Nyloc Nut M6 | 2 | 0221-NYL6 |

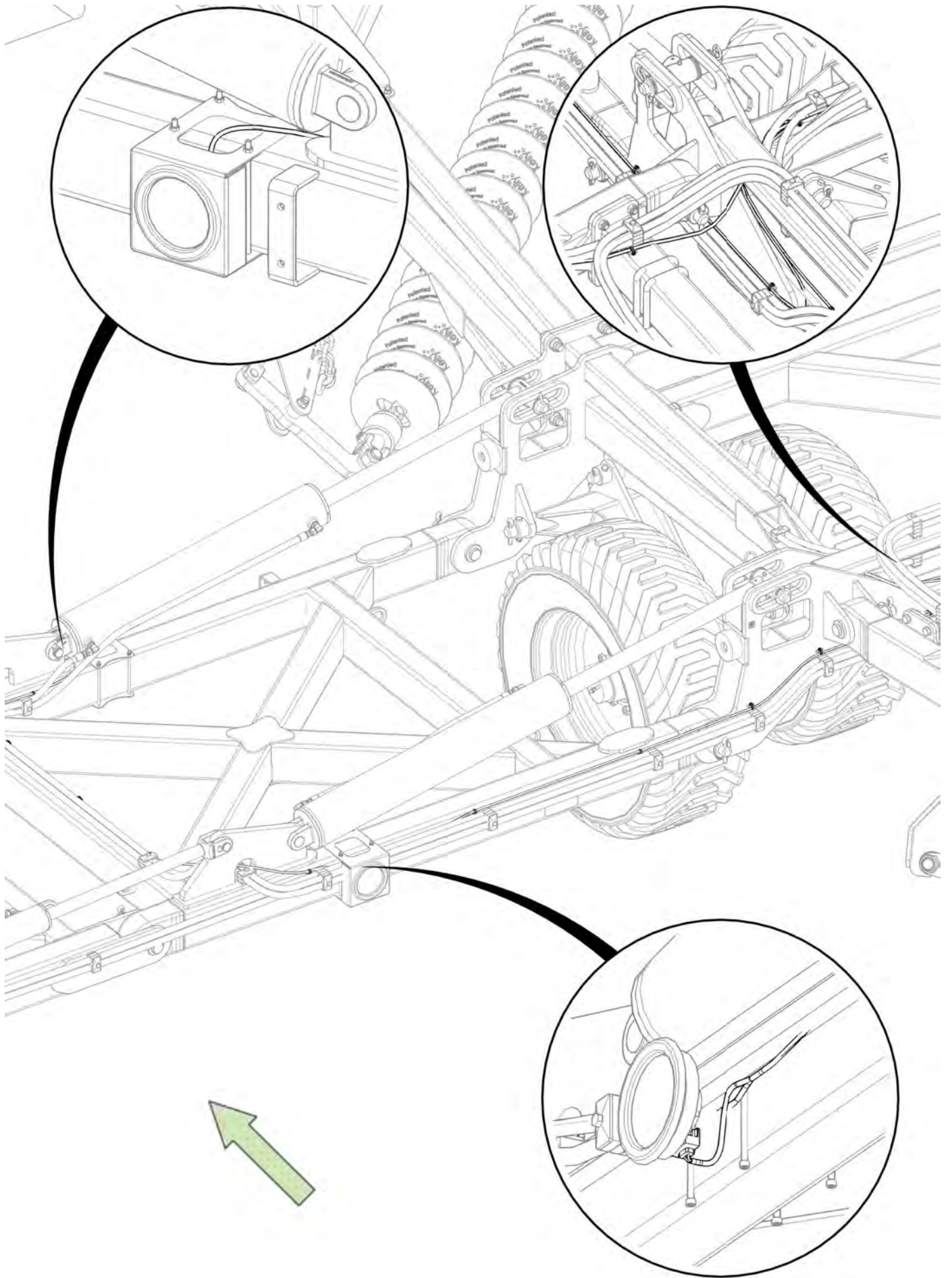


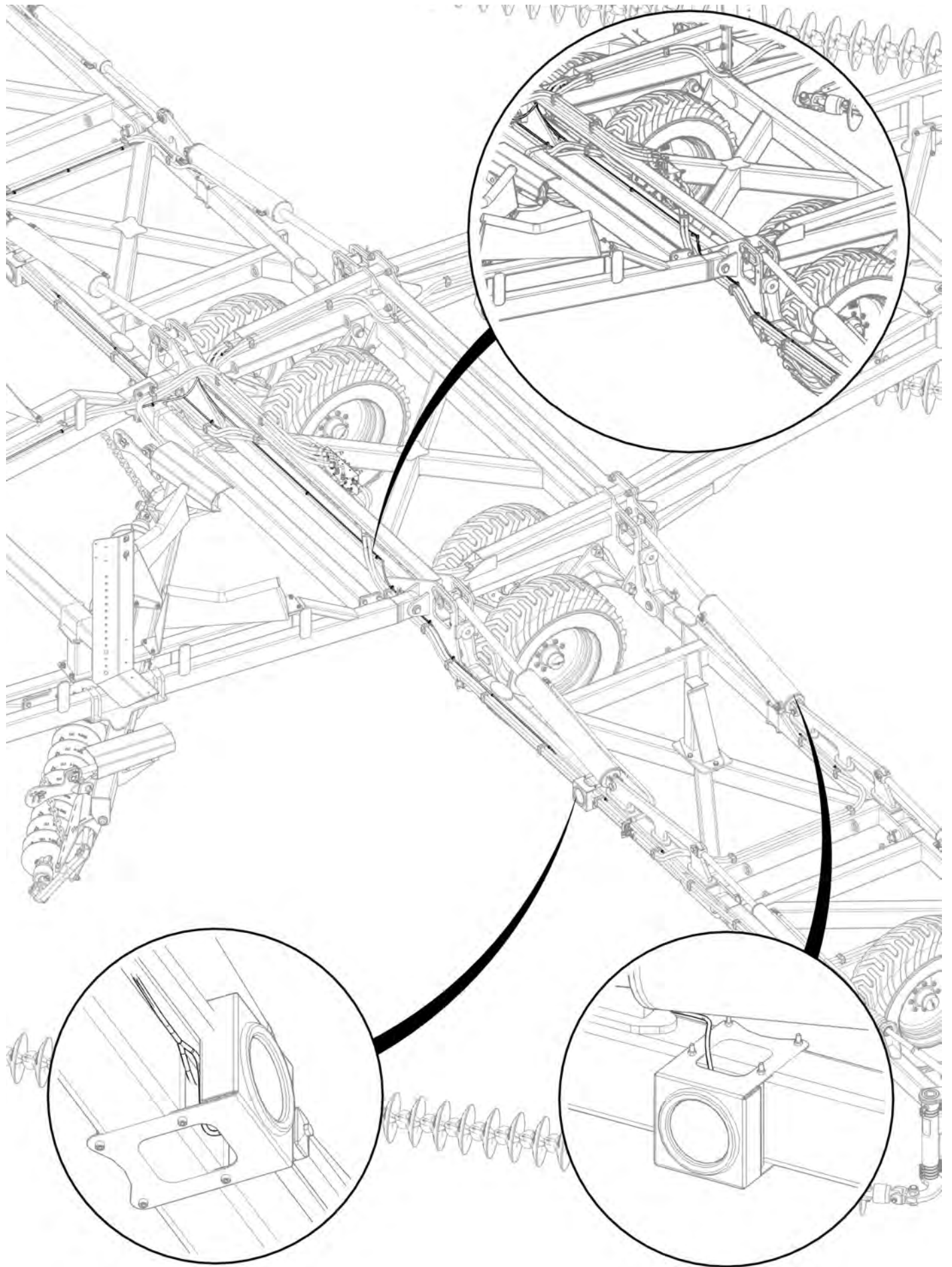


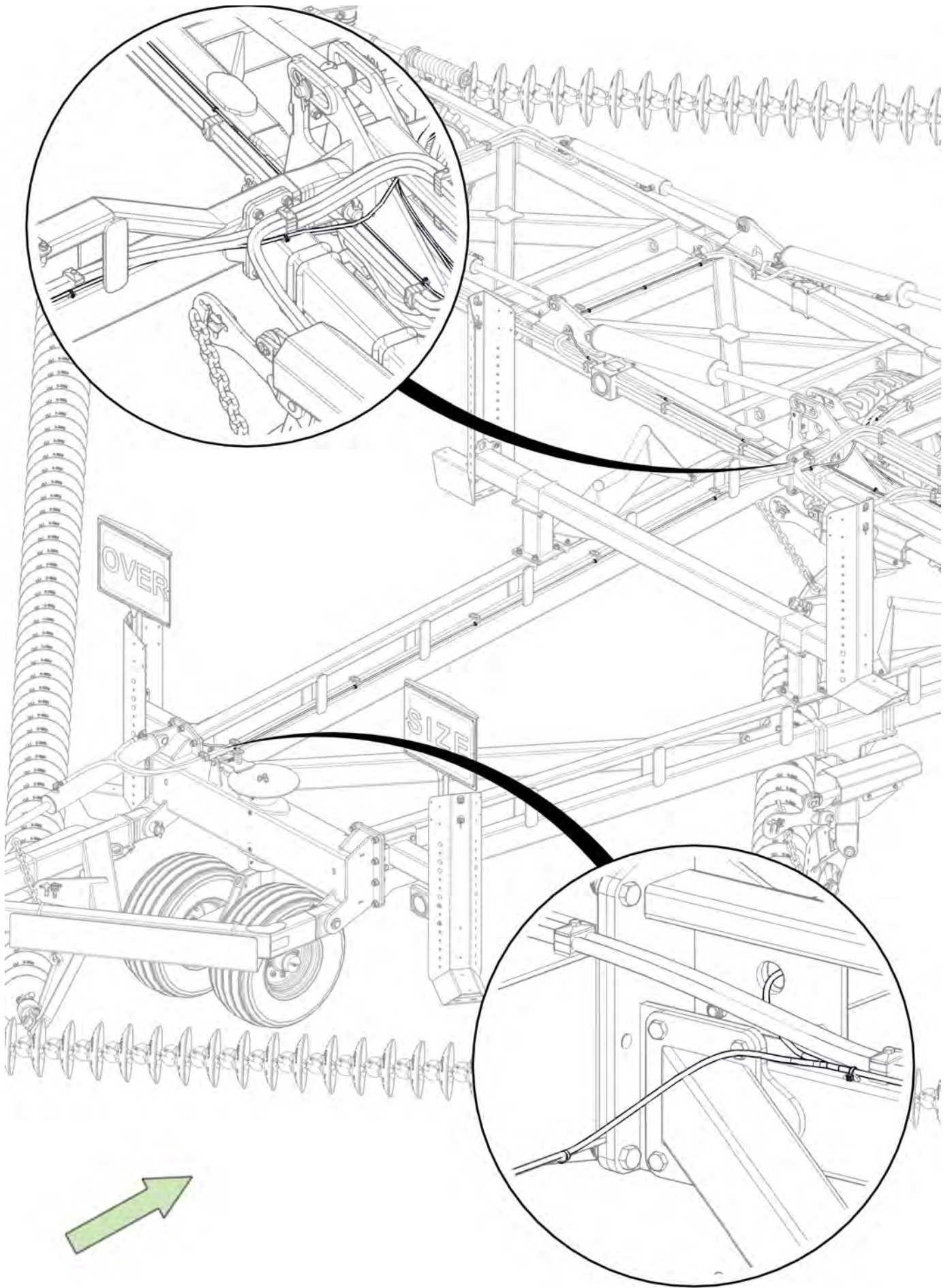


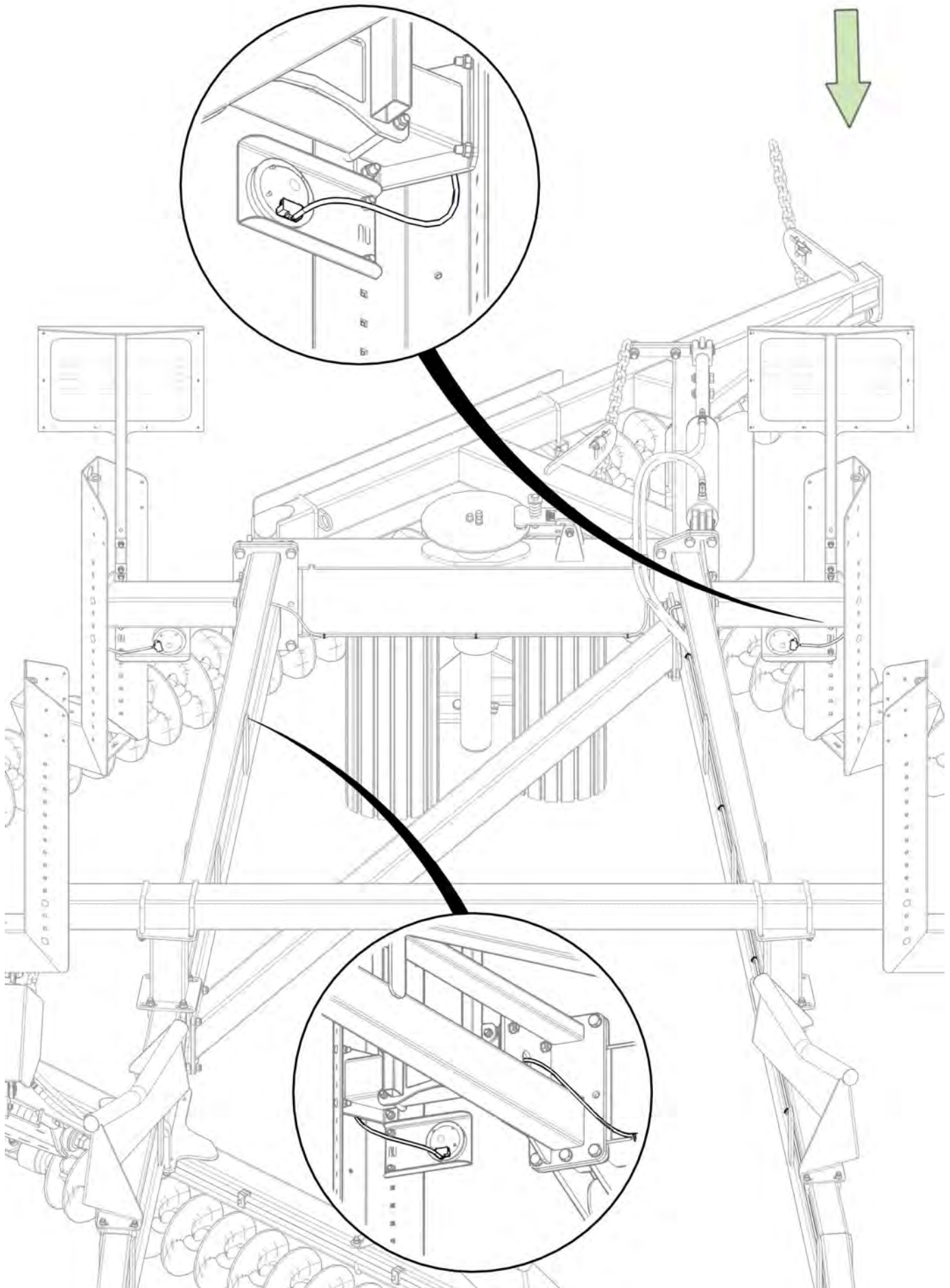
Where required secure loom to hydraulic hoses or tabs provided





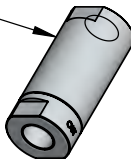
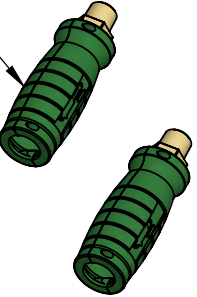
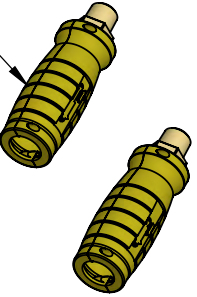
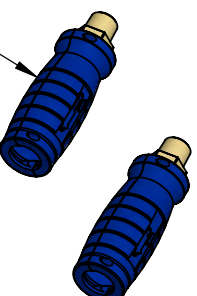

















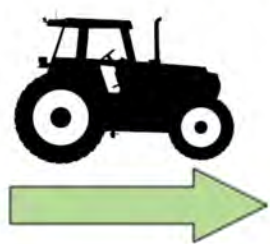
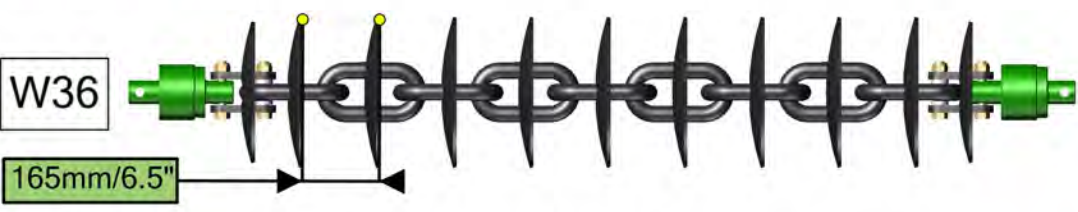
Hydraulic Fittings



| Part Number | Description | For Machines Built: | Revision |
|-------------|--|---------------------|----------|
| |  <p>0343-924001261 1/2" BSP 60 micron inline filter max flow 60L/M & 5000psi max pressure</p> | | |
| |  <p>0325-HG-PT24E25R Green 1/2" NPT Hydr Grip Pair (Extend /Ret)</p> | | |
| |  <p>0325-HG-PT25E25R Yellow 1/2" NPT Hydr Grip Pair (Extend /Ret)</p> | | |
| |  <p>0325-HG-PT20E20R Blue 1/2" NPT Hydr Grip Pair (Extend /Ret)</p> | | |
| |  <p>0323-S71-0812 1/2" BSP O Ring Male - 3/4" JIC Female Adaptor</p> | | |
| |  <p>0323-S74-0812 1/2" BSP O Ring Male - 3/4" JIC Male Adaptor</p> | | |
| |  <p>0323-S15-1212 3/4" JIC Male - 3/4" JIC Female 90° Elbow</p> | | |
| |  <p>0323-S91-1212 3/4" JIC Male - 3/4" UNO Male 90° Elbow</p> | | |
| |  <p>0323-S90-1212 3/4" JIC Male - 3/4" UNO Male Adaptor</p> | | |
| |  <p>0324-S19-121212 3/4" JIC Male Tee</p> | | |
| |  <p>0324-S67-121212 3/4" JIC Male - 3/4" JIC Female - 3/4" JIC Male Tee</p> | | |
| |  <p>0323-S88-1212 3/4" JIC Male - 3/4" UNO Male 45° Elbow</p> | | |
| |  <p>0324-S92-121212 3/4" JIC Male - 3/4" JIC Female - 3/4" UNO Male Tee</p> | | |
| |  <p>0324-S68-121212 3/4" JIC Male - 3/4" JIC Female - 3/4" JIC Female Tee</p> | | |
| |  <p>0325-R91-08M 1/2" BSP Quick Release Ball Coupling</p> | | |
| |  <p>0323-S12-1212 3/4" JIC Male - 3/4" UNO Male Extended 90° Elbow</p> | | |

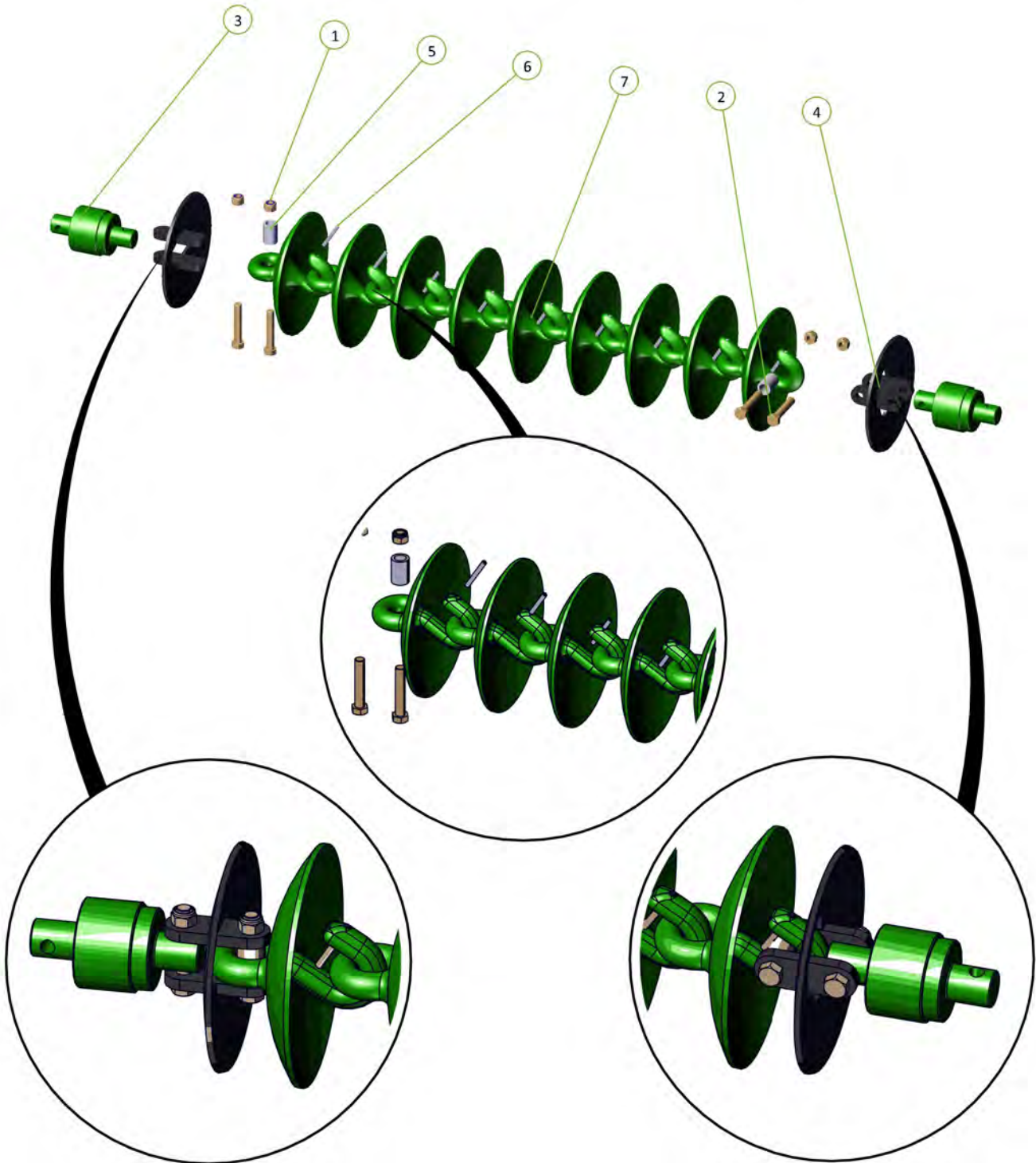
Section 5

Chain Assembly



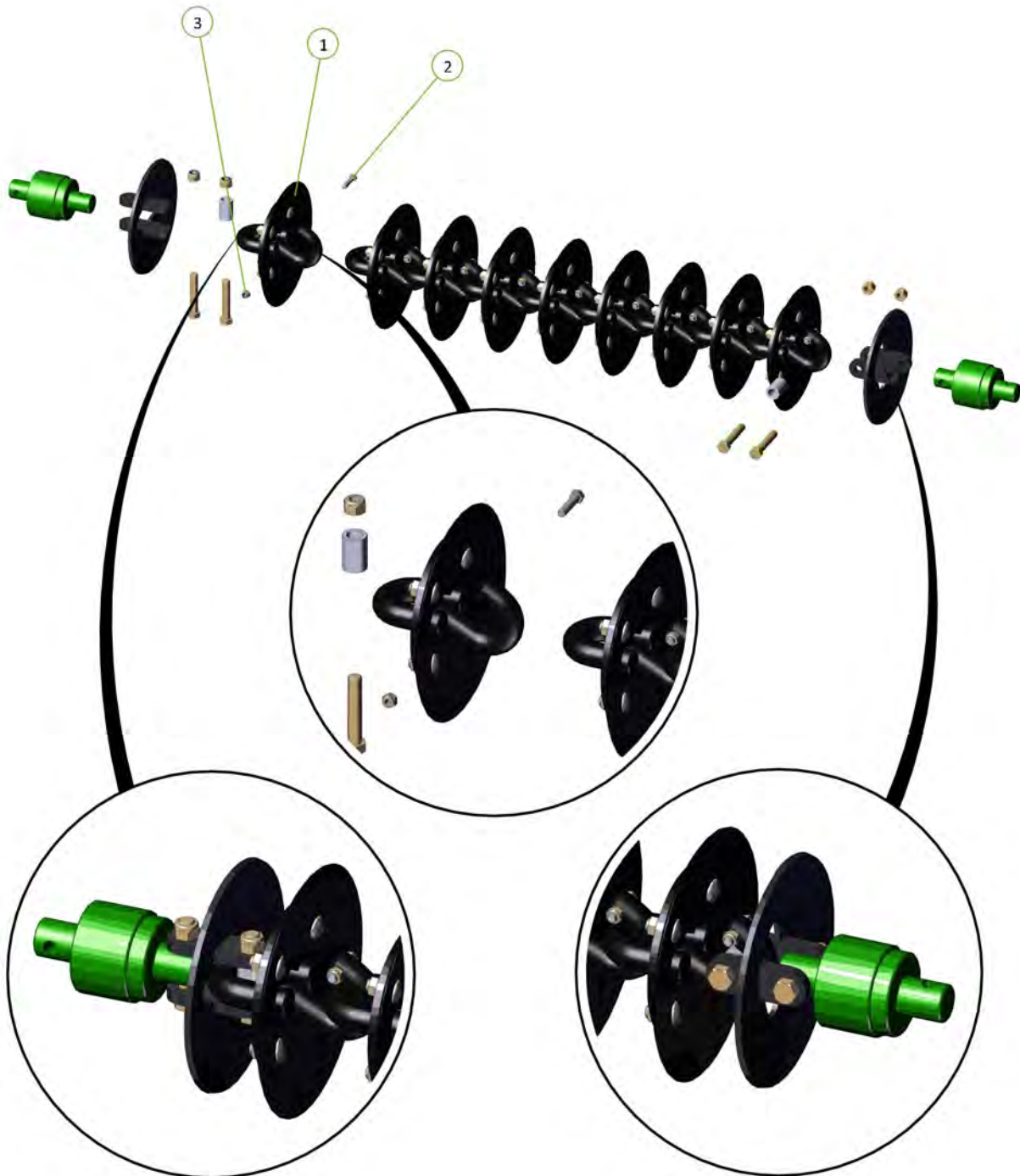
CL1 Disc Chain

| Item No. | Description | Number | Qty |
|----------|---|-----------------------------|-----|
| 1 | Nyloc Nut M20/24 | 0221-NYL20/24 | 4 |
| 2 | M20 x 110 / M24 x 120 grade 10.9 ZP Short Thread Bolt | 0211-20110ST/0211-24120ST | 4 |
| 3 | 20/24mm Bolt Swivel Unit | 0802-PCHB55 / 0802-PCHB553 | 2 |
| 4 | Disc Chain Tie Plate Link 20mm / 24mm | 0802-DCTP-20 / 0802-DCTP-24 | 2 |
| 5 | Tie Plate Bush | 0801-PCDCS55 | 2 |
| 6 | Roll Pin Zinc Plated 3/8" x 3" | 0262-3-8X3 | 1 |
| 7 | CL1-B Chain Disc Link | 0803-CL1 | 1 |

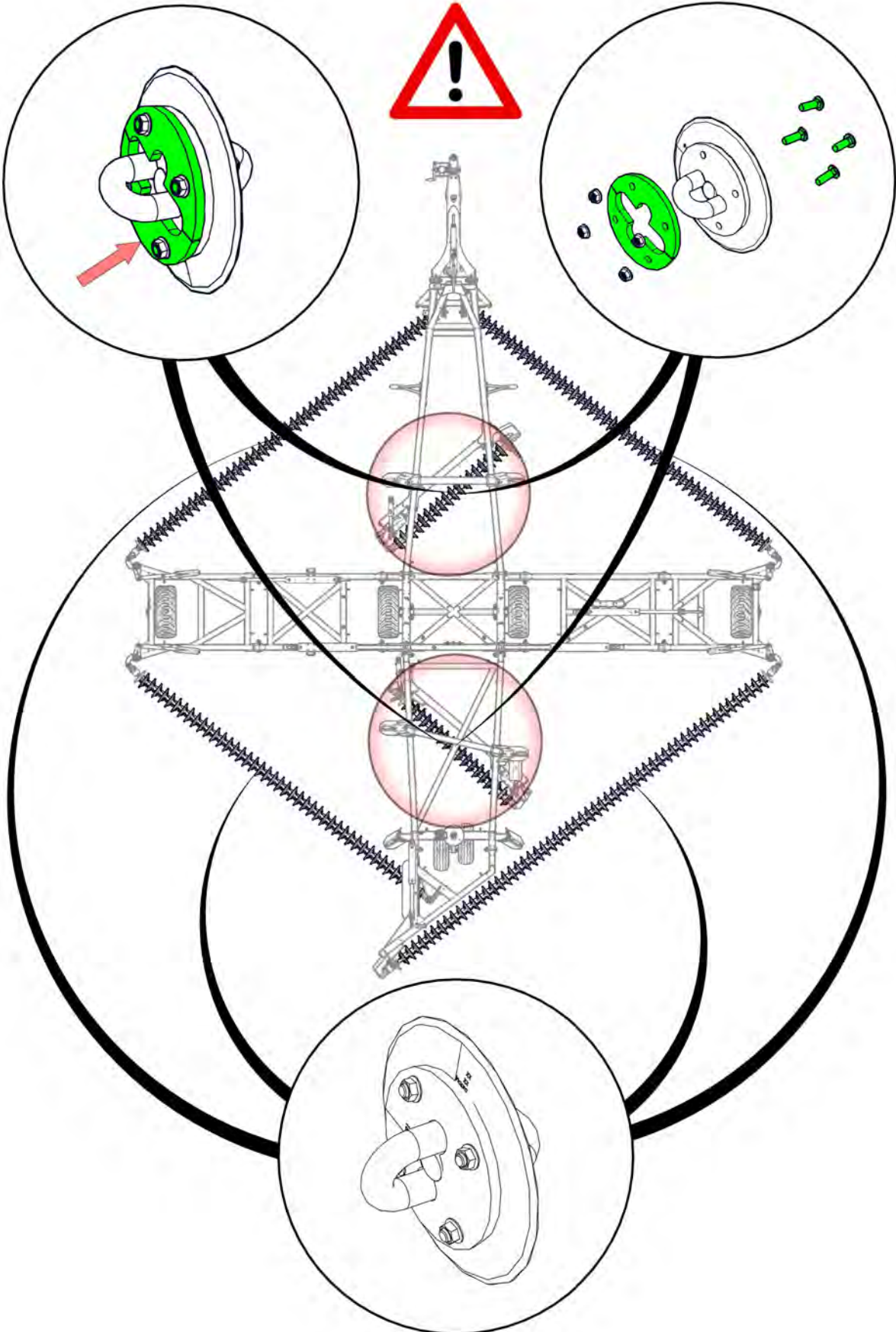


K4 Disc Chain

| Item No. | Description | Number | Qty |
|----------|----------------------------|------------|-----|
| 1 | K4 Disc Assembly | 0803-K4 | 1 |
| 2 | M12 x 55 grade 8.8 ZP Bolt | 0211-1255 | 1 |
| 3 | Nyloc Nut M12 | 0221-NYL12 | 1 |

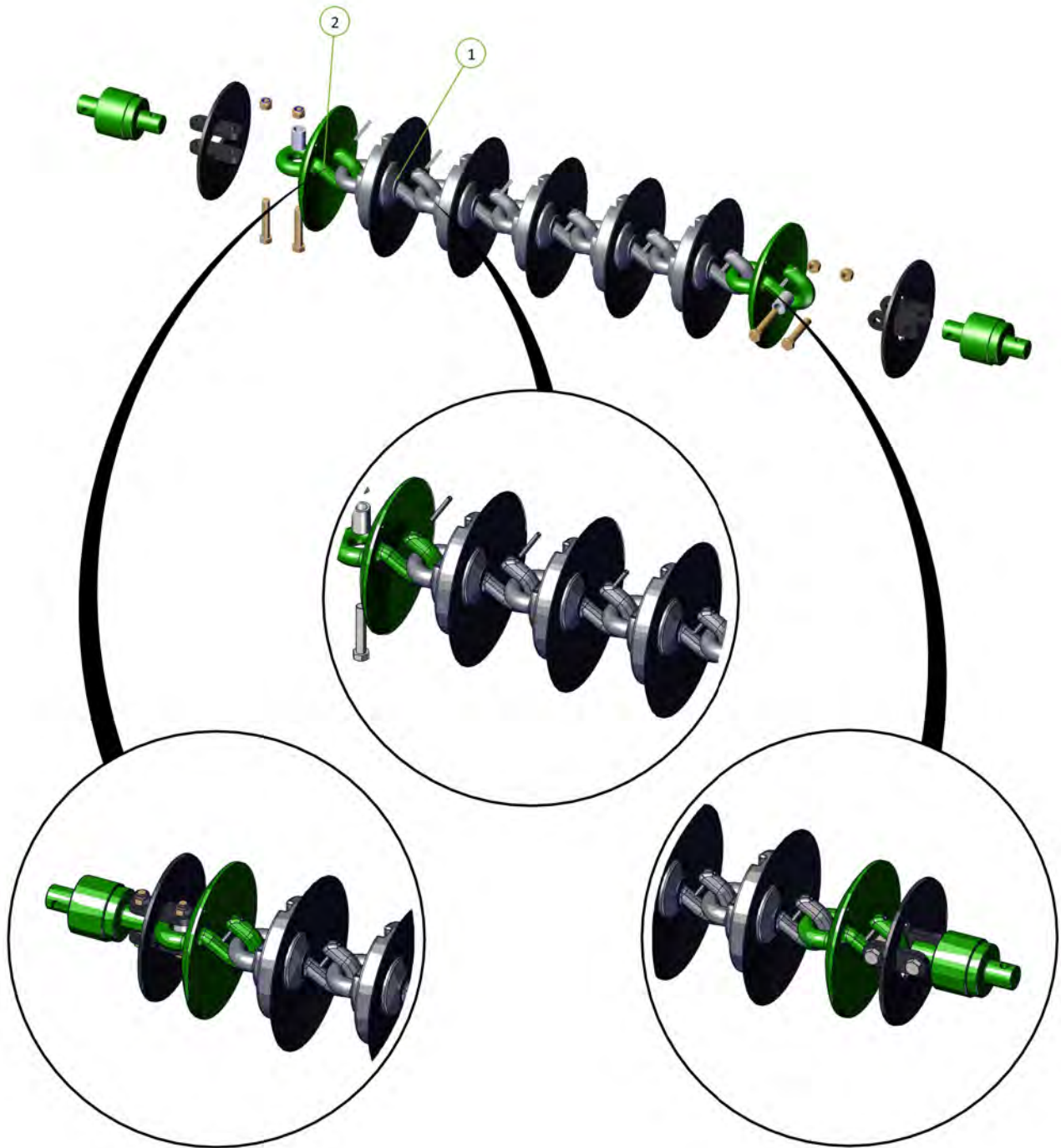
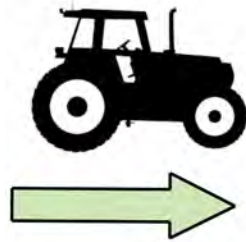


K4 Weight Assembly on Modules



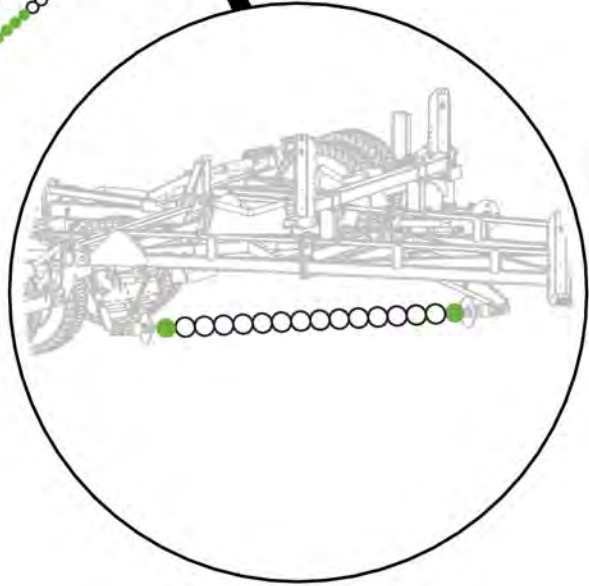
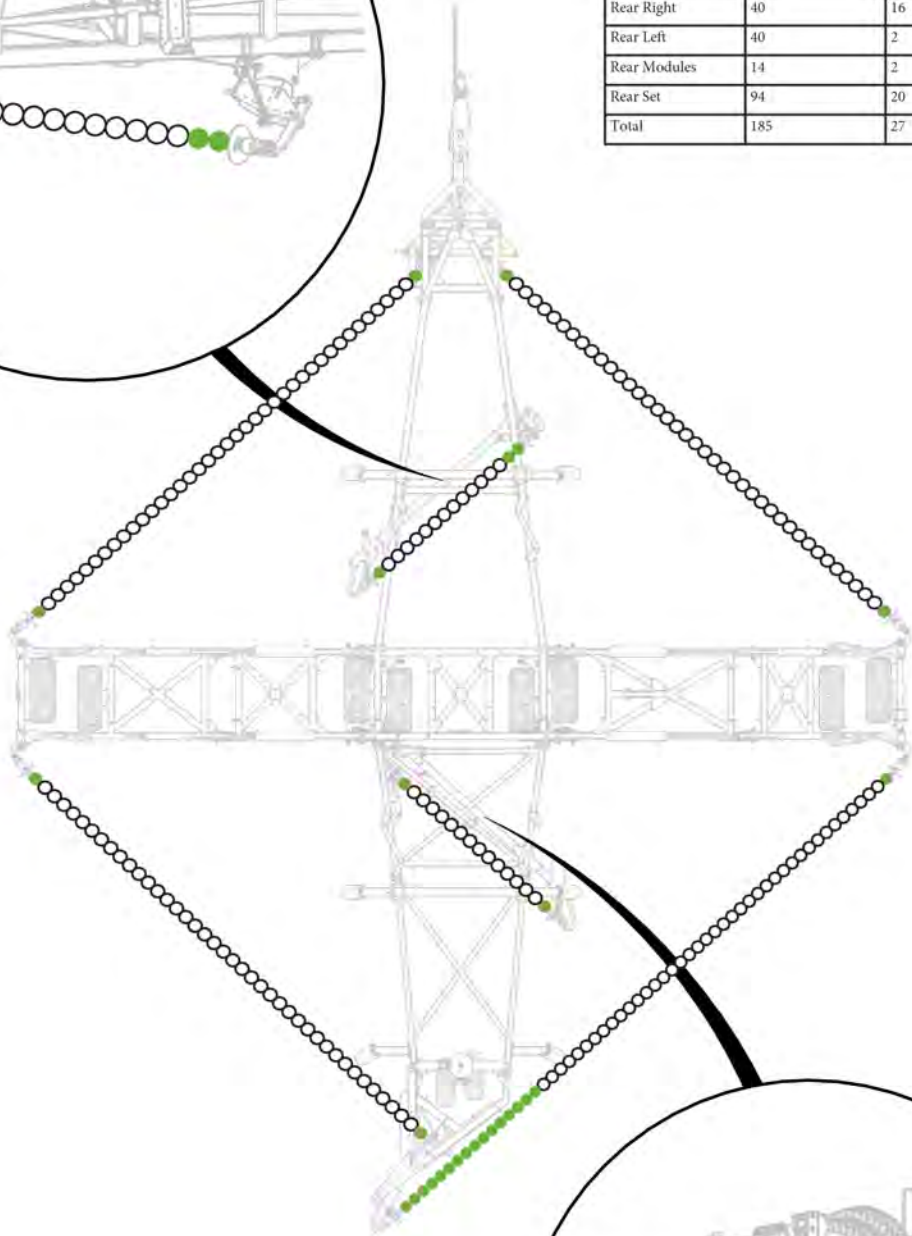
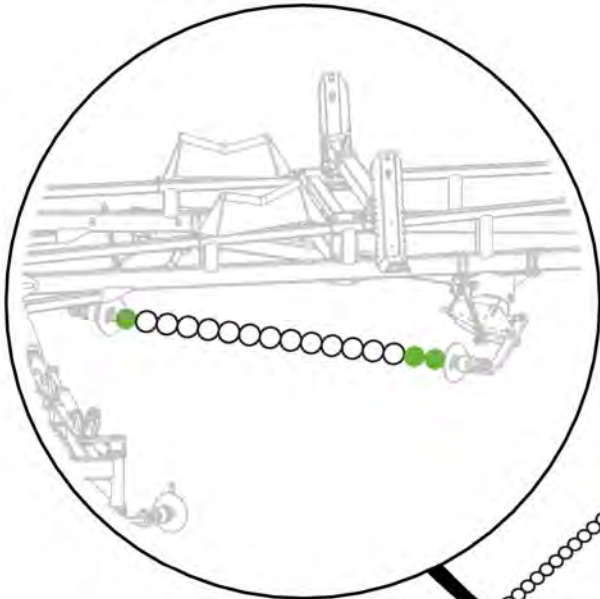
CL2 Disc Chain

| Item No. | Description | Number | Qty |
|----------|------------------------|----------|-----|
| 1 | 0803-CL2-Link Assembly | 0803-CL2 | 1 |
| 2 | CL1-B Chain Disc Link | 0803-CL1 | 1 |



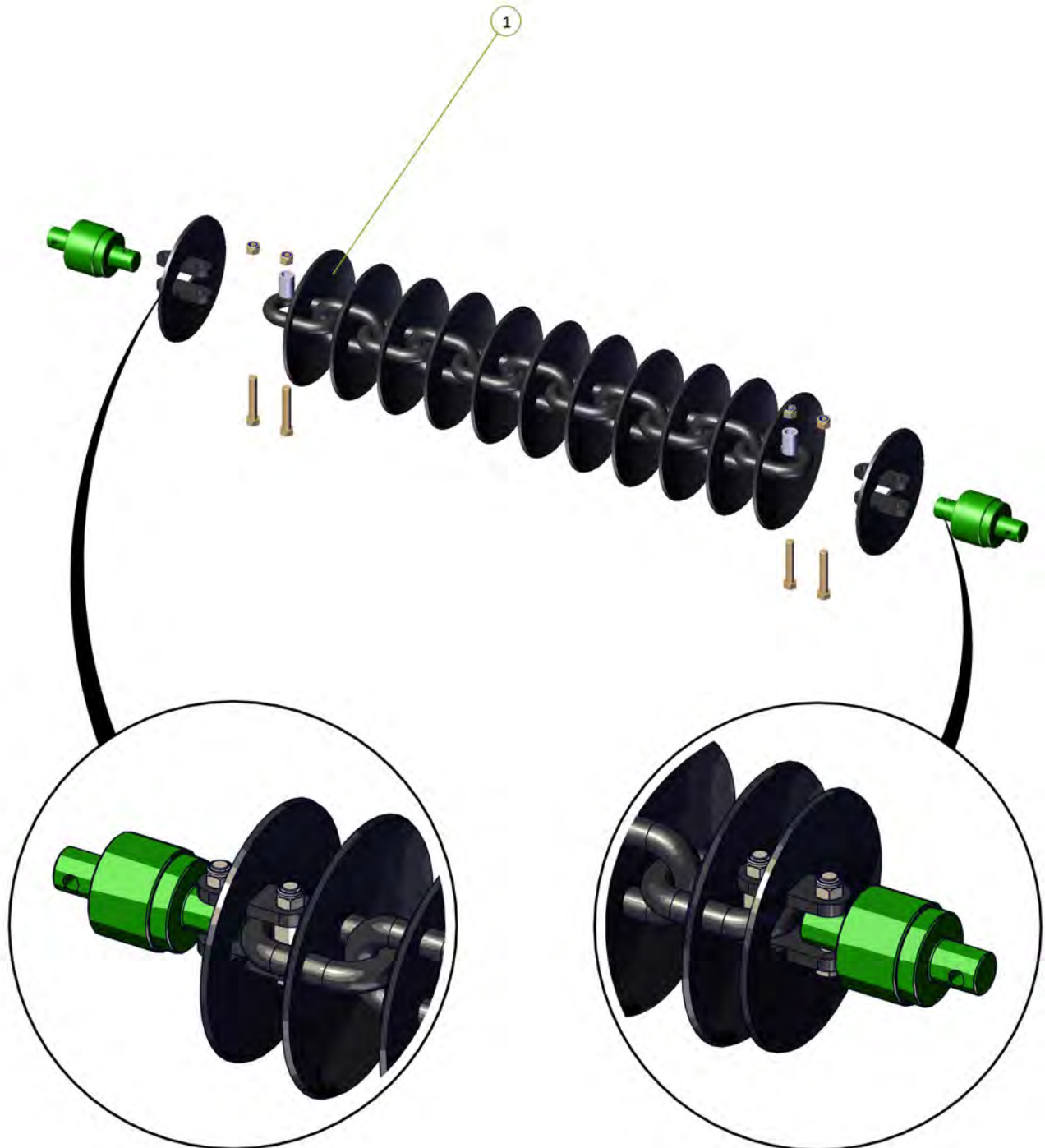
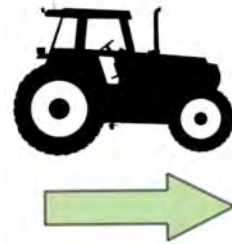
CL2 Chain Layout

| Set | CL2 | CL1 |
|---------------|-----|-----|
| Front Left | 39 | 2 |
| Front Right | 39 | 2 |
| Front Modules | 13 | 3 |
| Front Set | 91 | 7 |
| Rear Right | 40 | 16 |
| Rear Left | 40 | 2 |
| Rear Modules | 14 | 2 |
| Rear Set | 94 | 20 |
| Total | 185 | 27 |



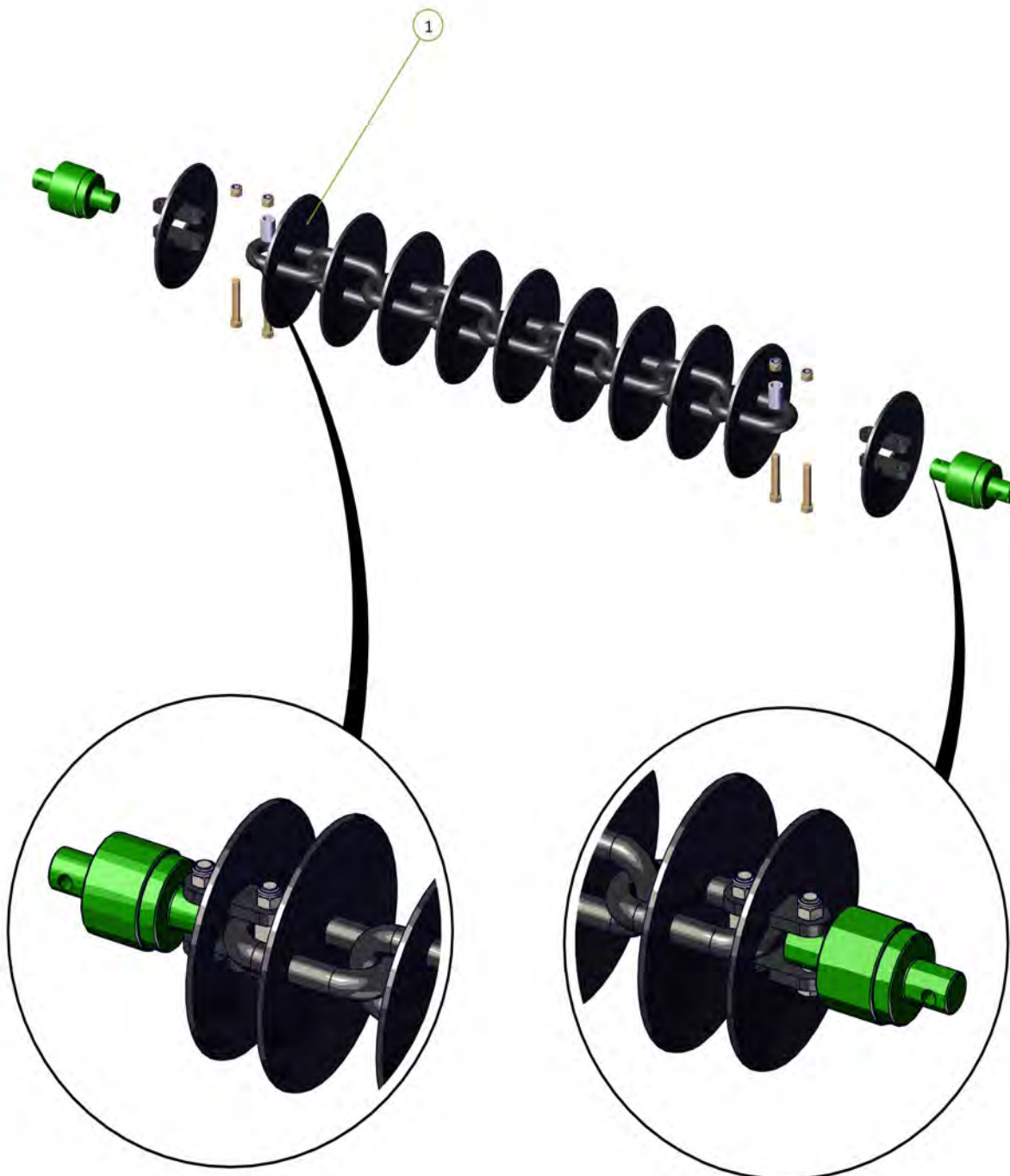
R300 Disc Chain

| Item No. | Description | Number | Qty |
|----------|-----------------|-----------|-----|
| 1 | R300 Chain Link | 0803-R300 | 1 |



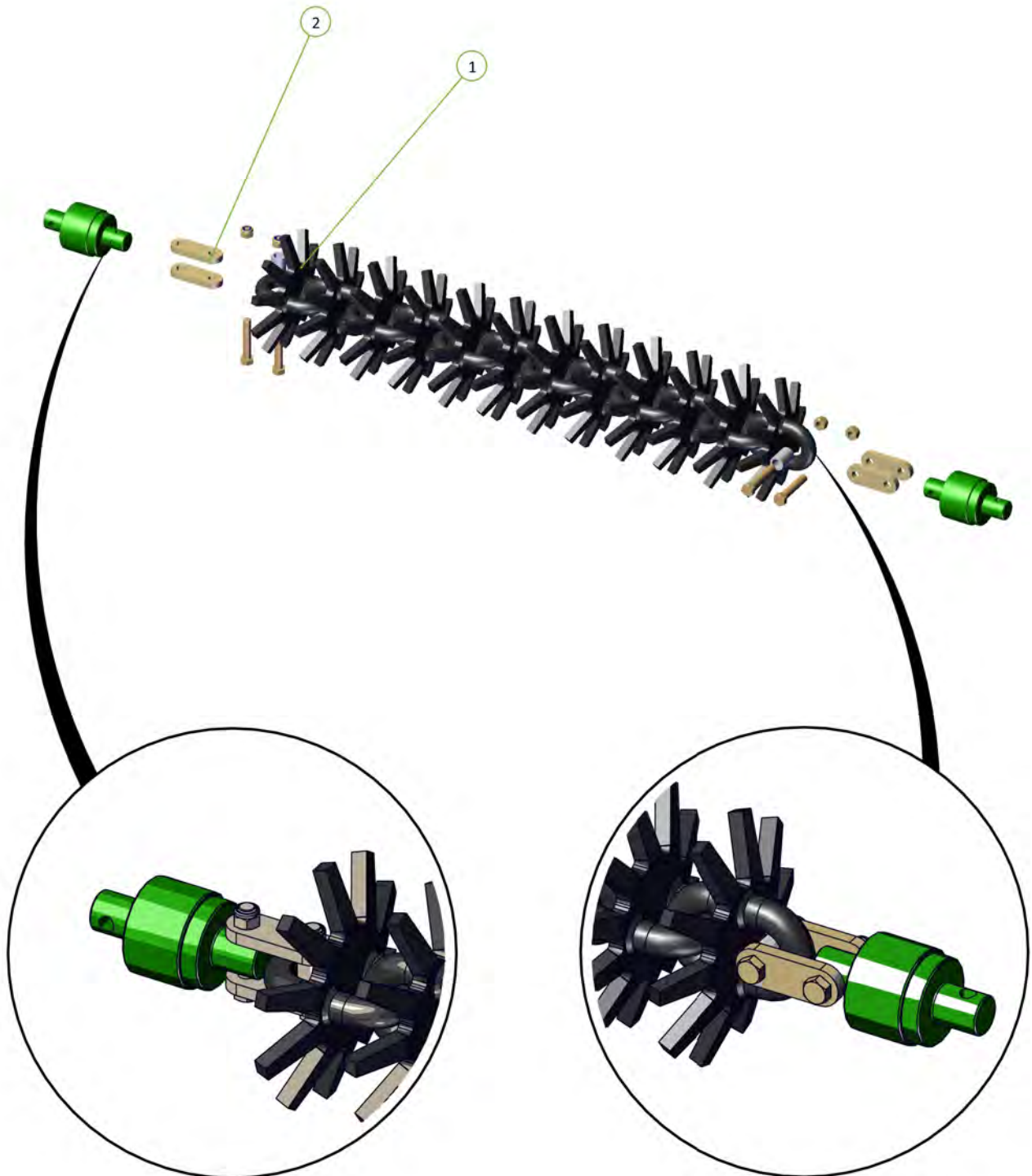
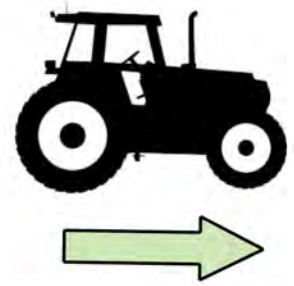
W36 Disc Chain

| Item No. | Description | Number | Qty |
|----------|-------------------|----------|-----|
| 1 | W36/25 Chain Link | 0803-W36 | 1 |



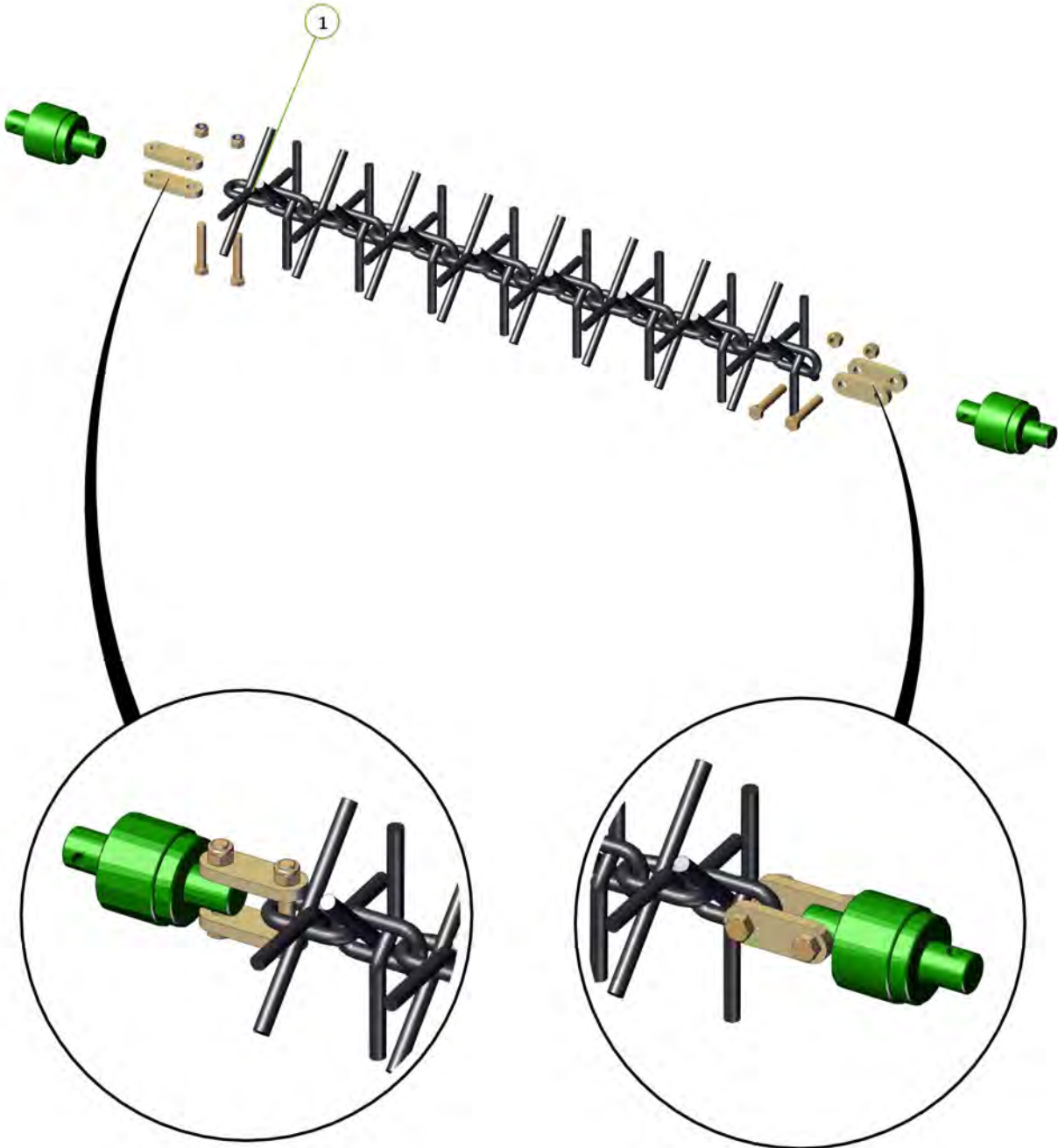
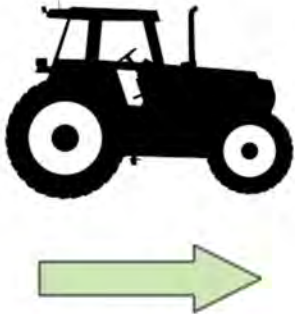
Spike Disc Chain

| Item No. | Description | Number | Qty |
|----------|--|-----------------------|-----|
| 1 | 10 Spike Disc Chain 49/27/5 | 0803-SD49 | 1 |
| 2 | Tie Plate For 20mm Bolt/ Tie Plate For 24mm Bolt | 0800-83.2 / 0800-83.3 | 4 |



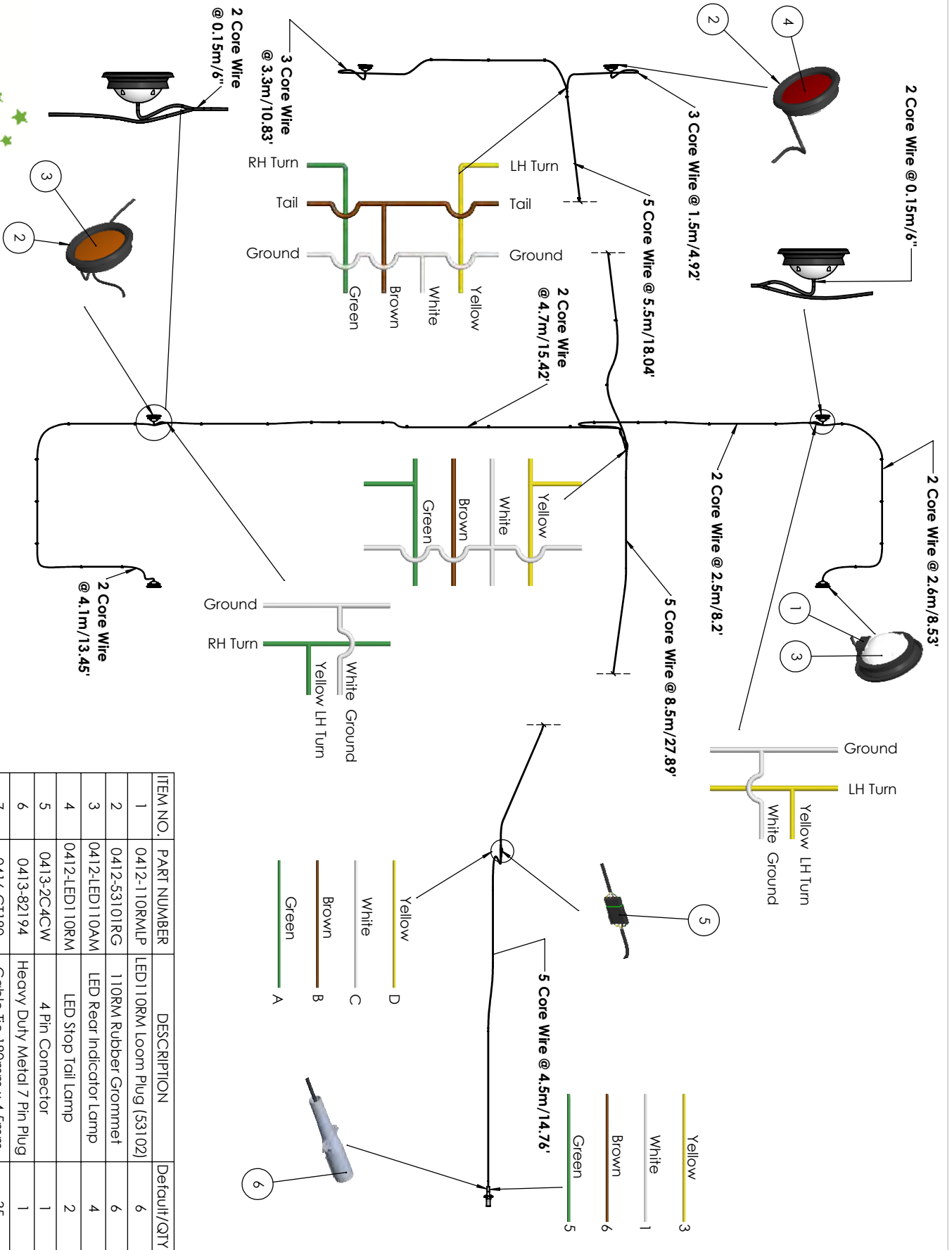
Prickle Chain

| Item No. | Description | Number | Qty |
|----------|--------------------|----------|-----|
| 1 | Prickle Chain Link | 0803-PCH | 1 |



Section 6

Diagrams and Charts



Part Number
1602-USLK46-2

Description
46' Gen 2 - US Light Kit

| ITEM NO. | PART NUMBER | DESCRIPTION | Default/Qty. |
|----------|---------------|-----------------------------|--------------|
| 1 | 0412-110RM1P | LED 110RM Loom Plug (53102) | 6 |
| 2 | 0412-53101RG | 110RM Rubber Grommet | 6 |
| 3 | 0412-LED110AM | LED Rear Indicator Lamp | 4 |
| 4 | 0412-LED110RM | LED Stop Tail Lamp | 2 |
| 5 | 0413-2C4CW | 4 Pin Connector | 1 |
| 6 | 0413-82194 | Heavy Duty Metal 7 Pin Plug | 1 |
| 7 | 0416-CT180 | Cable Tie 180mm x 4.5mm | 35 |

For Machines Bull:

Revision
A-0

Operating speeds

| Operating speeds for normal conditions | |
|--|-----------------------|
| Chain type | Speed |
| Prickle Chain | 6-10 Mph / 10-16 kmph |
| Disc Mulch Chain | 6-8 Mph / 10-12 kmph |
| Transport / towing on roads | 15 Mph / 25 kmph |

Tire pressure

| Tire size | Ply | PSI | KPA |
|---------------|-----|-----|-----|
| 16.5L x 16.1 | 14 | 36 | 250 |
| H40 x 14.5-19 | 26 | 60 | 410 |
| 11L - 15 | 10 | 44 | 300 |
| 15.5/80/24 | 16 | 58 | 400 |
| 16.5/85/24 | 16 | 55 | 380 |
| 550/60/22.5 | 16 | 40 | 280 |
| 400/60/22.5 | 16 | 50 | 350 |
| 12.5/80/18 | 14 | 85 | 590 |
| 15.0/70/18 | 14 | 71 | 490 |

Chain Harrow specifications

| Model | Model 4614 |
|------------------|-------------|
| Working width | 45.7'/13.9m |
| Transport width | 12.8'/3.9m |
| Transport height | 13.0'/4.0m |
| Transport length | 55.4'/16.9m |

| Model | | Length | CL2 | CL1 | K4 | W36 | R300 | SD49 | Prickle chain |
|-------------|---------------|--------------------|---|-----|----|-----|------|------|---------------|
| | | | CL2 disc chain also requires CL1 disc chain | | | | | | |
| 4614 | Front right | 28' 1.95" / 8.58m | CL2 - 38 CL1 - 2 | 53 | 54 | 50 | 69 | 69 | 95 |
| | Front left | 28' 1.95" / 8.58m | CL2 - 38 CL1 - 2 | 53 | 54 | 50 | 69 | 69 | 95 |
| | Rear right | 36' 0.01" / 10.97m | CL2 - 40 CL1 - 15 | 67 | 69 | 64 | 88 | 88 | 122 |
| | Rear left | 29' 2.63" / 8.90m | CL2 - 40 CL1 - 2 | 54 | 56 | 52 | 71 | 71 | 99 |
| | Modules front | 11' 0.36" / 3.36m | CL2 - 13 CL1 - 3 | 20 | 21 | 20 | 27 | 27 | 37 |
| | Modules rear | 11' 0.01" / 3.35m | CL2 - 14 CL1 - 2 | 20 | 21 | 20 | 27 | 27 | 37 |

For correct chain tension, chain links may need to be removed from the end of the chain as follows:

- CL2 Disc Chain - unhook disc chain link/s from end of the disc chain
- CL1 Disc Chain - unhook disc chain link/s from end of the disc chain
- K4 Disc Chain - unhook disc chain link/s from end of the disc chain
- Spiked Disc Chain - cut a disc chain link from the end of the disc chain
- R300 Disc Chain - cut a disc chain link from the end of the disc chain
- W36 Disc Chain - cut a disc chain link from the end of the disc chain
- Prickle Chain - cut a prickle chain link from the end of the prickle chain

Section 7

Operation

Basic Operation

Unfolding:

1. Walk around and inspect the machine.
 - a. Check that chains are not hooked on framework
 - b. Check swivel bolts are in place and not broken
 - c. Check th at height adjusting chains have not fallen out of their slotted plates during transport.
 - d. Ensure front lift cylinder depth stops are fully engaged on cylinder shaft.
2. Lower front A frame to working height.
3. Unfold wings holding the hydraulic lever until both the main center cylinder pins have centered in their slots. (If chain pulls tight during unfold, stop and inspect if chain is hooked)
4. Lower rear tail by holding hydraulic lever until tail and modules are completely lowered to working position.
5. Walk around and check that all chain links are straight and that working height of all swivels is correct for field conditions. Adjust if necessary.
6. Move off with all chains in working position. If necessary it is acceptable to raise front A pull to transport height. This will lift the front chains off the ground and reduce the load on the tractor. Lower the front A pull once moving satisfactorily.

Folding:

1. Lower the front A frame to working height. (This is important to ensure that all chains locate correctly in their transport rests).
2. Raise the Rear Tail and modules by holding the hydraulic lever until they come to a complete stop.
3. Fold the wings. They should move as follows; main center cylinders will retract, one or both, until the wings stand vertically. The left outer wing then the right outer wing will fold down.
4. Raise front A frame to transport height.
5. Walk around and check that chains have located correctly in transport rests.

Setting for correct chain tension

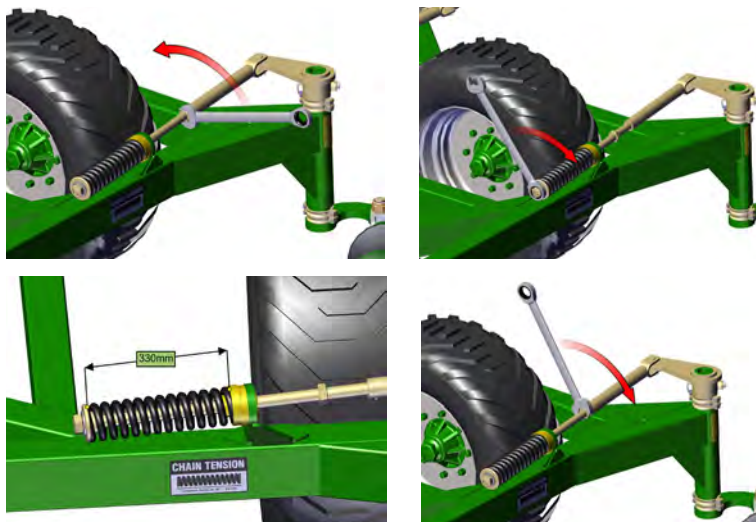
Wings

Use the spanner supplied. Loosen the lock nut adjacent to the tensioner assembly body. Turn the tension bolt clockwise to compress the coil spring. Correct tension is achieved when spring retains its set length when operator rolls the chain fore and aft on the ground. Retighten the lock nut.

Spring Compression Length

Compress spring to 12.4"
(330mm)

When less than 4" (100mm) of thread remains visible on the adjustor bolt then a link must be removed from the chain



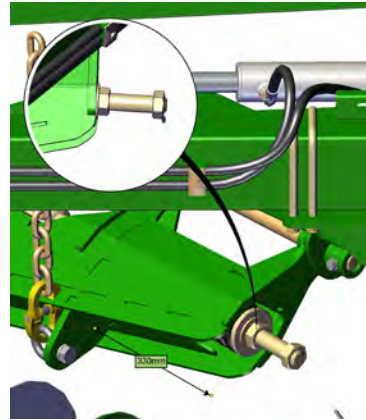
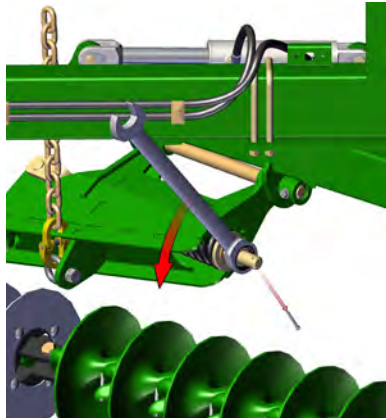
Modules

Loosen the lock nut on the draw bolt.

Tighten the adjusting nut clockwise until the outer face of the spring retaining washer is flush with the body of the module tensioning unit.

Retighten the lock nut.

If more than 8" (200mm) of thread is exposed then a link should be removed to maintain correct adjustment.



Importance of chain tension

Operational

It is imperative that the correct adjustment be maintained. Only through correct adjustment can a smooth and level finish be achieved in field working.

Loose chains lead to :

- Uneven performance across the width of the machine
- Uneven weed control
- Unsatisfactory incorporation
- Ineffective levelling
- Accelerated or premature chain wear
- Chains failing to engage with transport locators when folded
- Machine damage when folding or unfolding
- Uneven field surface with ridges and furrows being created. The leading 1/3rd of a loose chain is much more aggressive than the trailing 1/3rd and the center. This will mean that middle of the machine's front pair of chains will aggressively move soil outwards. The machine's rear pair of chains, if loose, have their aggressive 1/3rd near the wing extremity. It follows then that as the front discs push soil outwards, the least aggressive portion of the rear chain follows them and does not balance the soil movement. This is exacerbated at the wings, effectively creating a broad ridge about halfway out each wing. It won't be evident in one pass, but is possible if care is not taken over time.

A correctly adjusted machine will not cause this phenomenon.

Settings for correct working height

To adjust the swivel height at the wings, relocate one pair of the spacers either above or below the fixed mounting tube.

Adjustment

| | |
|---|---|
| 1 | Loosen chain tension completely |
| 2 | Undo 2 x M10 bolts from corresponding spacer set and take the two halves off of the drop leg tube |
| 3 | Replace it in the selected position after raising or lowering the drop leg |
| 4 | Reinstall the M10 bolts and re-tension the chain |

It is possible to install all spacers either above or below the mounting tube giving a maximum of 4" (100mm) of adjustment.

