

KELLY

Better Tillage. Better Tomorrow.

Operating Instruction Manual 2006

KEMANOPE-2006-D-15122022



SERIAL NUMBER:

KELLY

Phone +61 8 8667 2253
Email sales@kellytillage.com
kellytillage.com

Booleroo (Head Office)
684 Kelly Road,
Booleroo Centre SA 5482

Adelaide Office
28 Greenhill Road,
Wayville SA 5034





Thank you for choosing a KELLY product.

We trust that you find the following manual clear and easy to follow. If you should require additional customer support or assistance, please do not hesitate to contact us.

Spare parts can be purchased, as required, through your local dealer or by contacting KELLY directly.

The KELLY team values your feedback. Should you have any difficulties that you wish to raise, suggestions for improvement or modifications that you feel would enhance our products we look forward to hearing from you.

Contact Us

Australia

Booleroo (Head Office)

684 Kelly Road,
Booleroo Centre SA 5482

+61 8 8667 2253

Monday - Friday
8am - 4pm ACDT

Adelaide Office

28 Greenhill Road,
Wayville SA 5034

+61 8 8667 2253

Monday - Friday
8am - 4pm ACDT

Global Locations

Eastern Canada

Leading Edge Equipment
www.leadingedgeequipment.ca

1-519-421-3223

Monday - Friday
8am - 4pm EST

Western Canada

Adair Sales & Marketing Co Inc
www.adairreps.com

1-306-773-0996

Monday - Friday
8am - 5pm CST

United States

Hood & Company

+1 417-865-2100

Monday - Friday
8am - 4pm CST

Europe

kellytillage.com

+61 8 8667 2253

Monday - Friday
8am - 4pm ACDT

Argentina

Giorgi Sa Maquinarias Agrícolas
www.giorgi.com.ar

+54 3464 493512

Monday - Friday
8am - 5pm ART

South Africa

Desmond Whitfield CC

+27 82 567 8245

Monday - Friday
8am - 4pm SAST

Contents

Safety Information

Signal words	4
Safety guidelines	4
General operation	4
Transport	4
Hydraulics	4
Maintenance & inspection	4
Safety decals - individual placement	5-8

Section 1 - Warranty

Warranty policy	10
Product registration form	11

Section 2 - Machine Operation

Before operation	12
Pre-operation checklist	12
Park brake	13
Brake setup	14
Basic unfolding operation	15-17
Basic folding operation	18-21

Section 3 - Chain Operation & Correct Setup

Importance of chain tension	22
Frame height adjustment	23
Machine setup prior to operating	24
Set chain tension	25
Correct hydraulic chain tensioning	27
Dropleg height adjustment	29-30
Fine adjustment for perfect operating results	31

Section 4 - Maintenance & Inspection

Maintenance and inspection	34
Intervals	35
Trouble shooting	36

Section 5 - Specifications

Operating speed	38
Tyre pressure	38
Disc chain lengths and quantities	38
Bolt torque settings	38

Section 6 - Pre-delivery checklist

Pre-delivery checklist	40
Notes	41

Register within 2 months of purchasing your machine to receive an additional 12 months warranty. Find the registration information on page 11.

Safety Information



Read all assembly instructions and study all photographs thoroughly before assembling the unit.

Please note: Left and right is determined by standing behind the machine and looking to the front.

Signal Words

A signal word - DANGER, WARNING, or CAUTION, is used with the safety alert symbol.

When you see this symbol on your machine or in this manual, be alert to instructions involving your personal safety and the safety of others. Failure to follow these instructions can result in injury or death.



DANGER - Indicates an immediate hazardous situation that, if not avoided, will result in **DEATH OR SERIOUS INJURY**.



WARNING - Indicates a potentially hazardous situation that, if not avoided, could result in **DEATH OR SERIOUS INJURY**.



CAUTION - Indicates a potentially hazardous situation that, if not avoided, may result in a **MINOR OR MODERATE INJURY**.

Carefully read all safety points in this manual and on your machine. Keep all safety decals in good condition and replace ones that have been worn or lost. Replacement decals are available by contacting your local dealer.

If any safety decals are missing please contact your local dealer immediately and do not use the machine.

General Operation

- Proceed cautiously under overhead powerlines and around power poles, as contact may result in the operator suffering a severe electrical shock.
- Never allow anyone within the immediate area when operating machinery.
- Stand clear when raising or lowering wings.

Transporting

- Always travel at a safe speed. NEVER EXCEED 25kph.
- Ensure transporting transport safety lock valves are closed during transport to ensure machine is transported safely (Fig.13 & 14).
- Ensure your speed is low enough for an emergency stop to be safe and secure and reduce speed prior to turns.
- Ensure safety chain is attached correctly to the towing vehicle.
- Please refer to your own country, state, provincial, county or municipality laws on the rules of transporting farm machinery on roads.
- Ensure that disc or prickle chains are engaged in chain guides and supports. Disc or prickle chain should be clear of the ground.
- Be aware of the height, length and width of the machine. Beware of obstacles and overhead powerlines.
- Use approved accessory and necessary warning devices on the road during both day and night time transporting.

Hydraulics

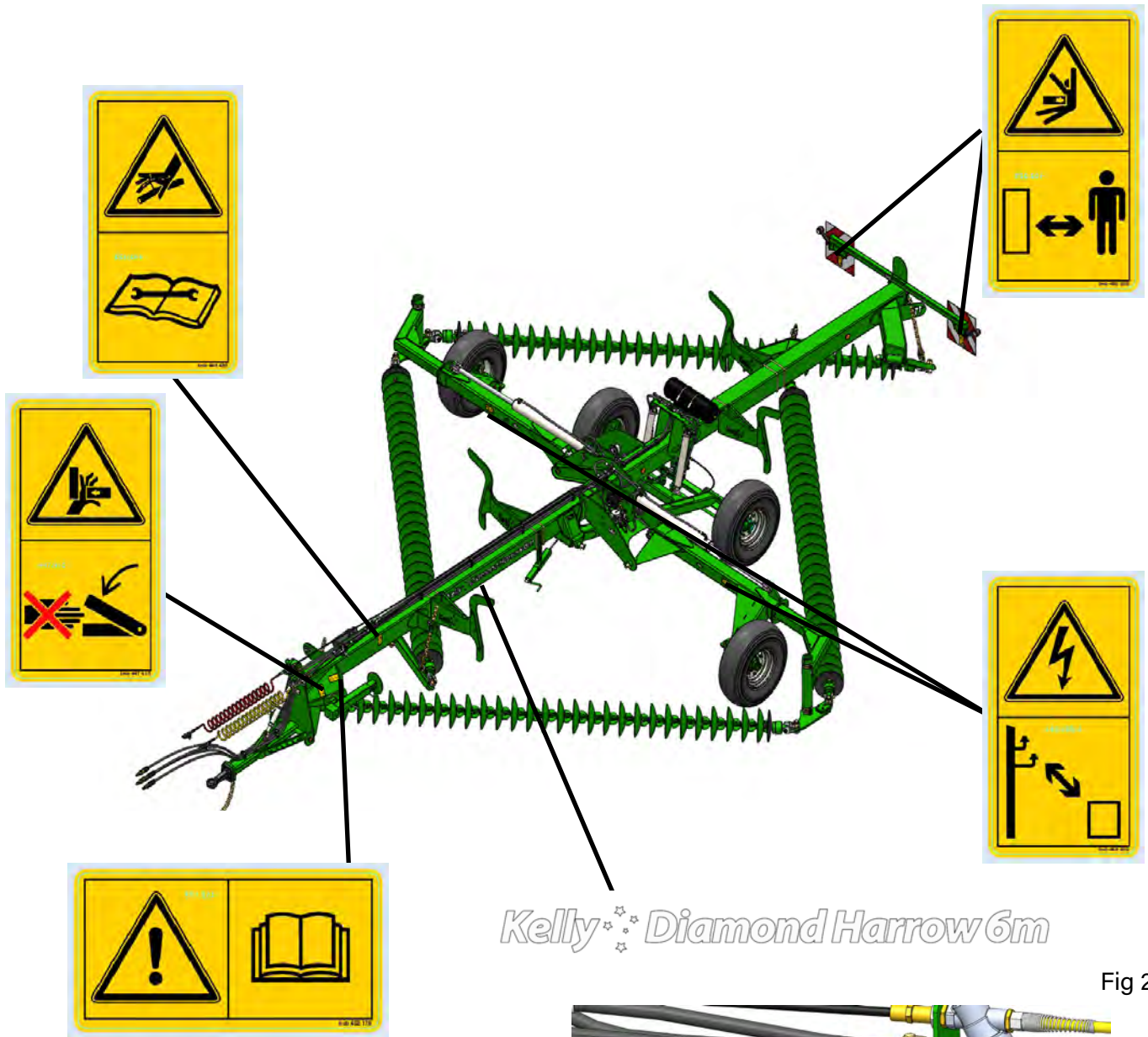
- **NEVER** remove hydraulic hoses or ends unless the machine is in either transport position or fully extended in working position. Relieve all hydraulic pressure before disconnecting hydraulic hoses and fittings.
- Ensure all fittings and hoses are in good condition.
- Do not search for high pressure hydraulic leaks without hand and face protection. A leak can penetrate the skin, thereby requiring immediate medical attention.
- Double check that all is clear before operating hydraulics.
- Maintain proper hydraulic fluid levels and pressure.

Maintenance and Inspection

- Good maintenance is your responsibility.
 - Regular maintenance and inspection is imperative
- Maintenance guidelines can be found in section 4.*

Safety Decals - Individual Placement

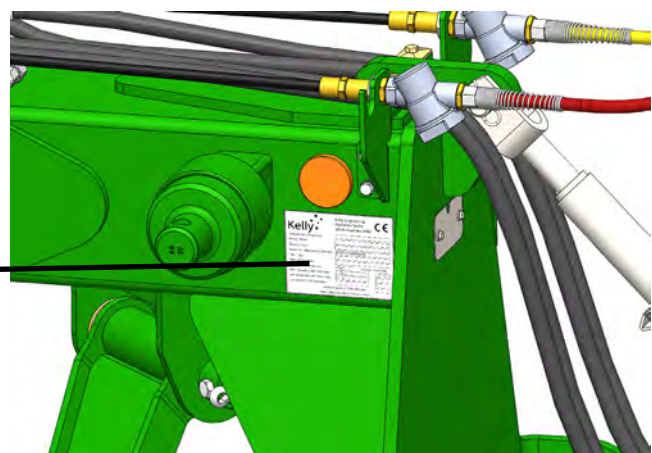
Fig 1.



Kelly ^{☆☆☆} Diamond Harrow 6m

Fig 2.

Kelly ^{☆☆☆}	Kelly Engineering Booloroo Centre South Australia 5482	CE
Bezeichnung / Designation:	<input type="text"/>	
Marke / Brand:	<input type="text"/>	
Modell / Model:	<input type="text"/>	
Serien Nr. / Machine ID (FIN/VIN):	W09KYP145J5MAJ001	
Typ / Type:	<input type="text"/>	
Kelly serial number:	<input type="text"/>	
Baujahr / Production year:	2015	Achslast / Axle load:
Max. Stützlast / Max hitch load:	kg	L
Zul. Gesamtgewicht / Max mass:	kg	Z
Leerge wicht / Max unloaded:		L
Achslast gesamt / Total axle load		
Manufactured by MAFA Stoppes GmbH		



If any safety decals are missing please contact your local dealer immediately and do not use the machine.

Safety Decals - Individual Placement

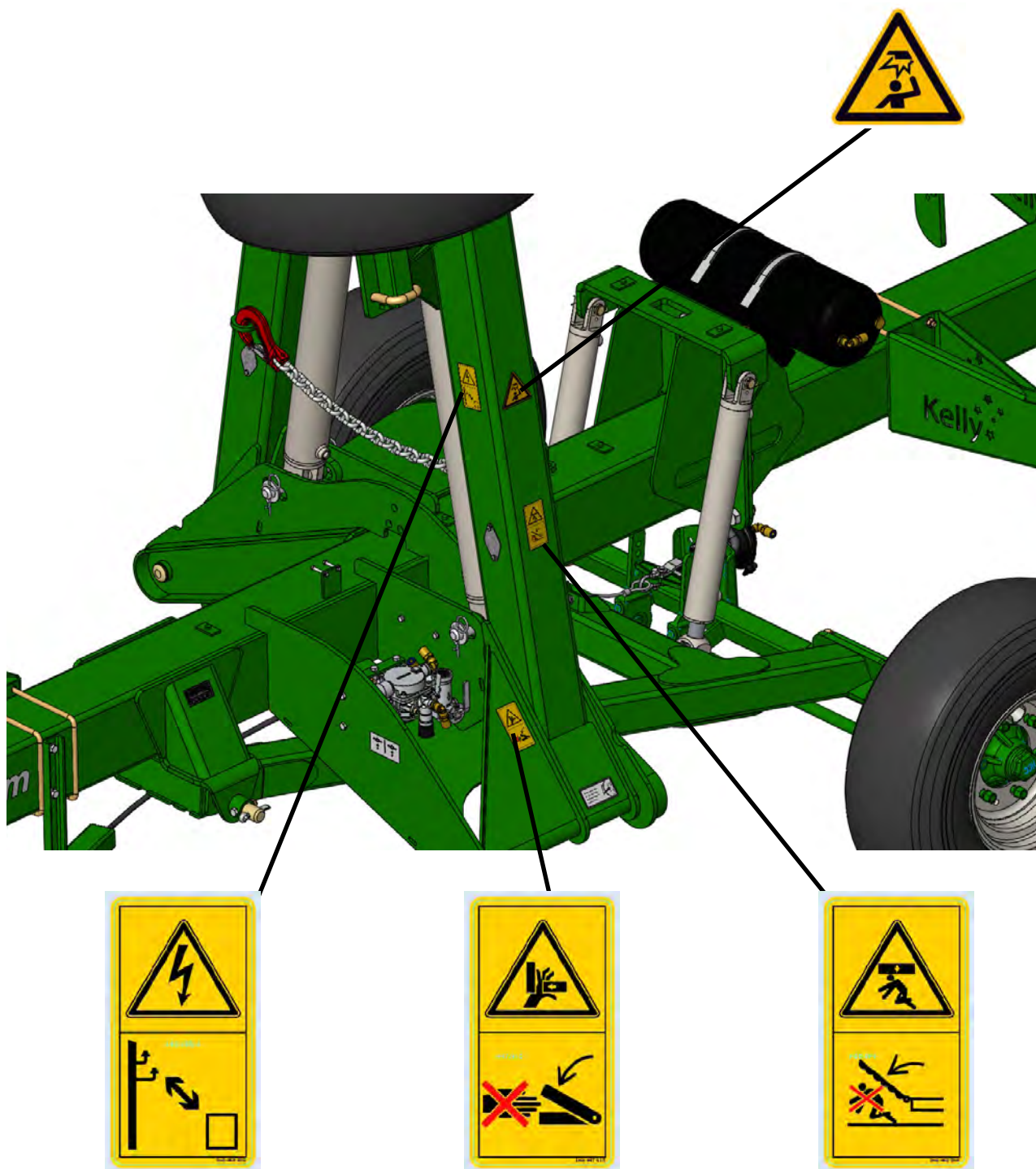


Fig 3.



If any safety decals are missing please contact your local dealer immediately and do not use the machine.

Safety Decals - Individual Placement

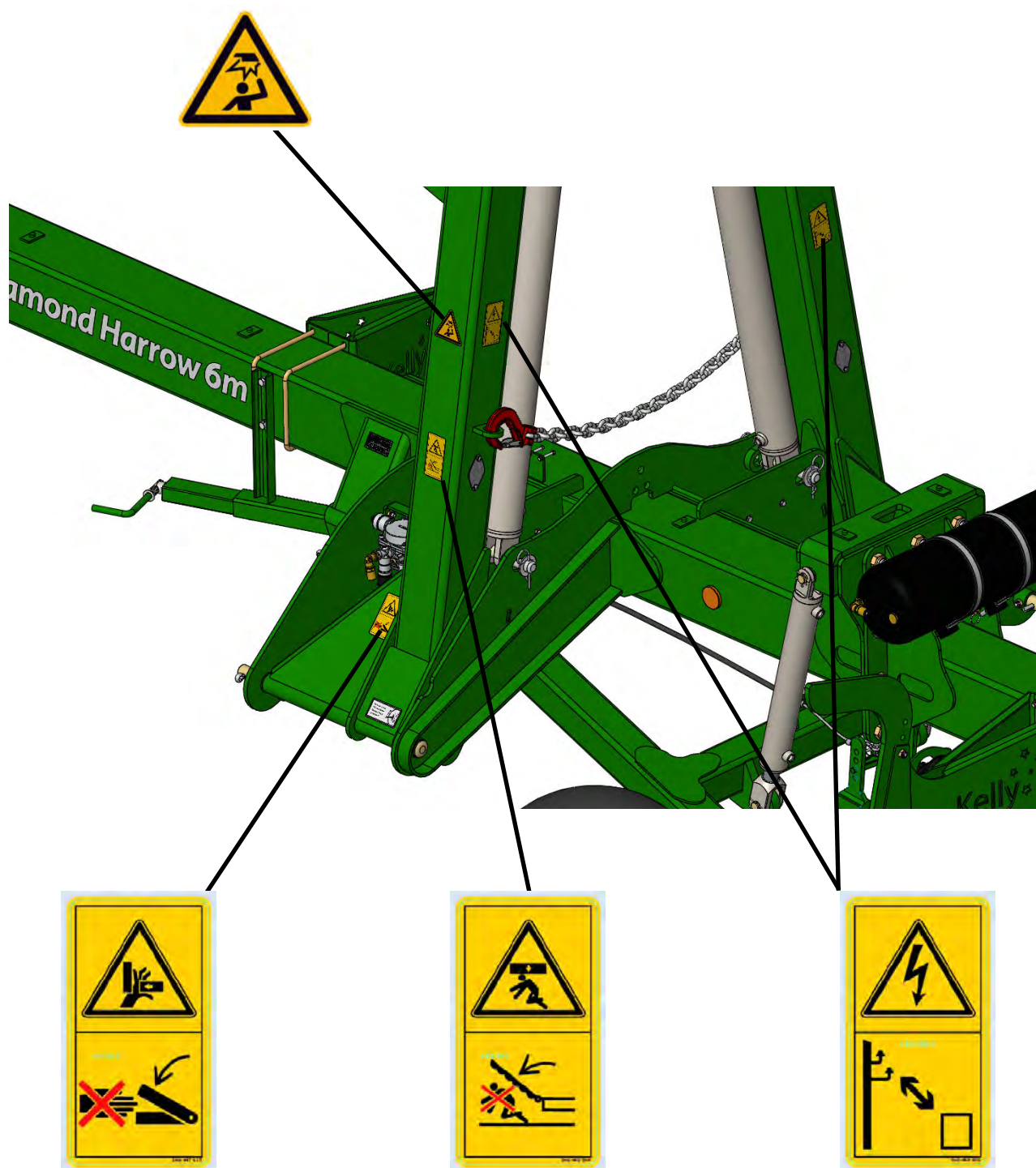


Fig 4.



If any safety decals are missing please contact your local dealer immediately and do not use the machine.

Safety Decals - Individual Placement

Orange reflectors - quantity: 8

Locate facing outwards on central section

Orange reflectors

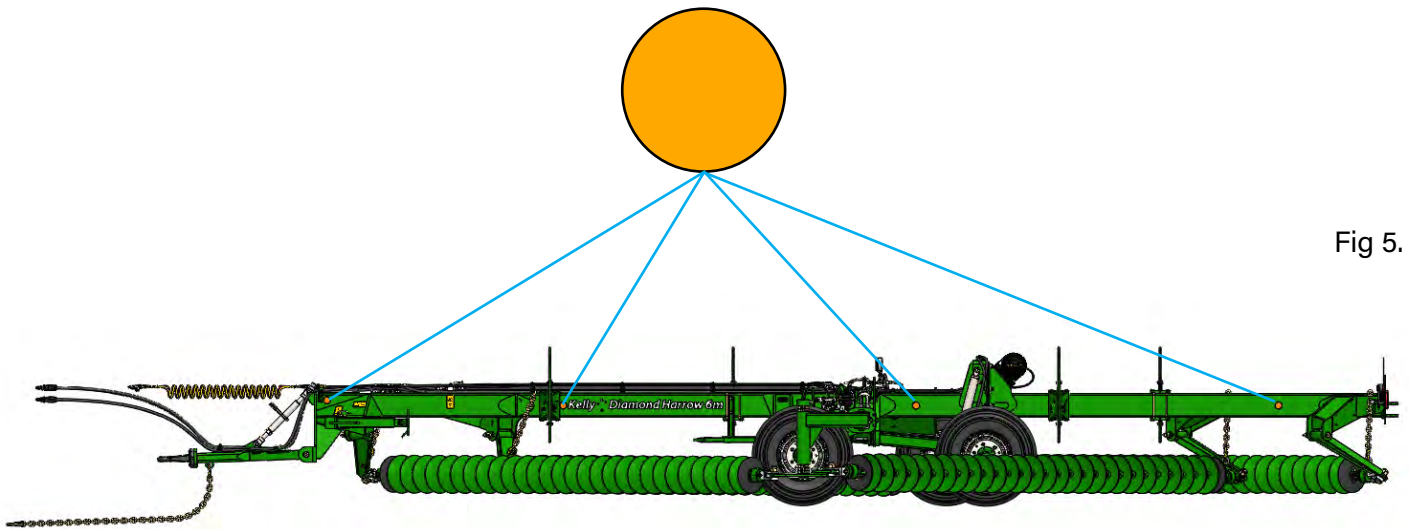


Fig 5.

Fig 6.



**CHECK WHEEL NUTS
AFTER FIRST .5 HRS
AND AT REGULAR INTERVALS**



If any safety decals are missing please contact your local dealer immediately and do not use the machine.



Section 1 - Warranty

Warranty Policy

The warranty for the machine will be null and void if any non-genuine KELLY part is used on the machine.

KELLY guarantees its products against faulty workmanship and materials for twelve (12) months from date of purchase. Disc Chain, Prickle Chain and Swivel Bearings units are considered to be wear items and it's reasonable to expect that these parts may need to be replaced over time.

KELLY offers an additional 12 month warranty if the machine is registered within 2 months of purchasing the machine. Machine registrations can be completed by the customer or dealer on the KELLY website or the KELLY supplied warranty registration form in the operator manual.

The KELLY warranty policy does not cover misuse, modifications, damage during transit or product that has not been maintained per the KELLY maintenance procedures outlined in the relevant product manual.

Failure to properly maintain the machine or blatant misuse shall result in the warranty being null and void.

KELLY reserves the right to request written, photographic or video documentation prior to any warranty authorisation.

All warranty queries and requests for authorisation can be directed to warranty@kellyengineering.com.au.

Any warranty repair, service or modification to products must be performed by an authorised KELLY repairer and pre-approved by KELLY in writing prior to any work being carried out.

KELLY will issue an "Authorised Returns" notice for any faulty parts to be returned at the request of the company.

Any claim for warranty, labour or parts must be completed on the prescribed warranty claim form found on the KELLY website.

Warranty claims are to be lodged within 30 days of completion of work. If further information is requested on the claim from the Warranty Officer, you have 30 days to provide the information. If you fail to adhere with the above instructions the warranty claim may be declined.

Upon completion and approval of this claim the dealer will receive a credit to their account.

To activate the warranty a Machine Registration form must be lodged with the manufacturer.

Complete the Machine Registration form online
Visit the **Resources** page on our website

Receive an additional **12 months warranty** by registering your product within 2 months of purchasing.
Simply return your completed form via email or post, or fill the online form to be eligible.

Purchaser/Owner

Name: _____

Address: _____

Email Address: _____

Contact number: _____

Occupation: _____

Purchasing Details

Date of Purchase: _____

Place of Purchase: _____

Model Purchase: _____

Serial Number: _____

What brought KELLY Tillage products to your attention?

Field Day	Family	Magazine/Newspaper: _____
Dealer	Website	Demonstration: _____
Friend/Neighbor	Radio	Referral Source: _____

On a scale of 1 to 10 (10 being highest) how likely are you to recommend us to friends and family?

1	2	3	4	5	6	7	8	9	10
---	---	---	---	---	---	---	---	---	----

If you scored 8 or below then what must we do to become a 10 in your opinion?

If you scored 9 or above then please tell us why you gave us this score:

Satisfaction with dealer/agent:

Was the machine pre-delivered satisfactorily?	Yes	No	_____
Were agents well informed about the product?	Yes	No	_____
Would you recommend the agent to other farmers?	Yes	No	_____

Please return the completed form to:

Mail to: PO Box 100, Booleroo Centre SA 5482 Australia

Email to: sales@kellytillage.com

OR complete the Machine Registration form online:

Visit the **Resources** page on our website



Section 2 - Machine Operation

Before Operation

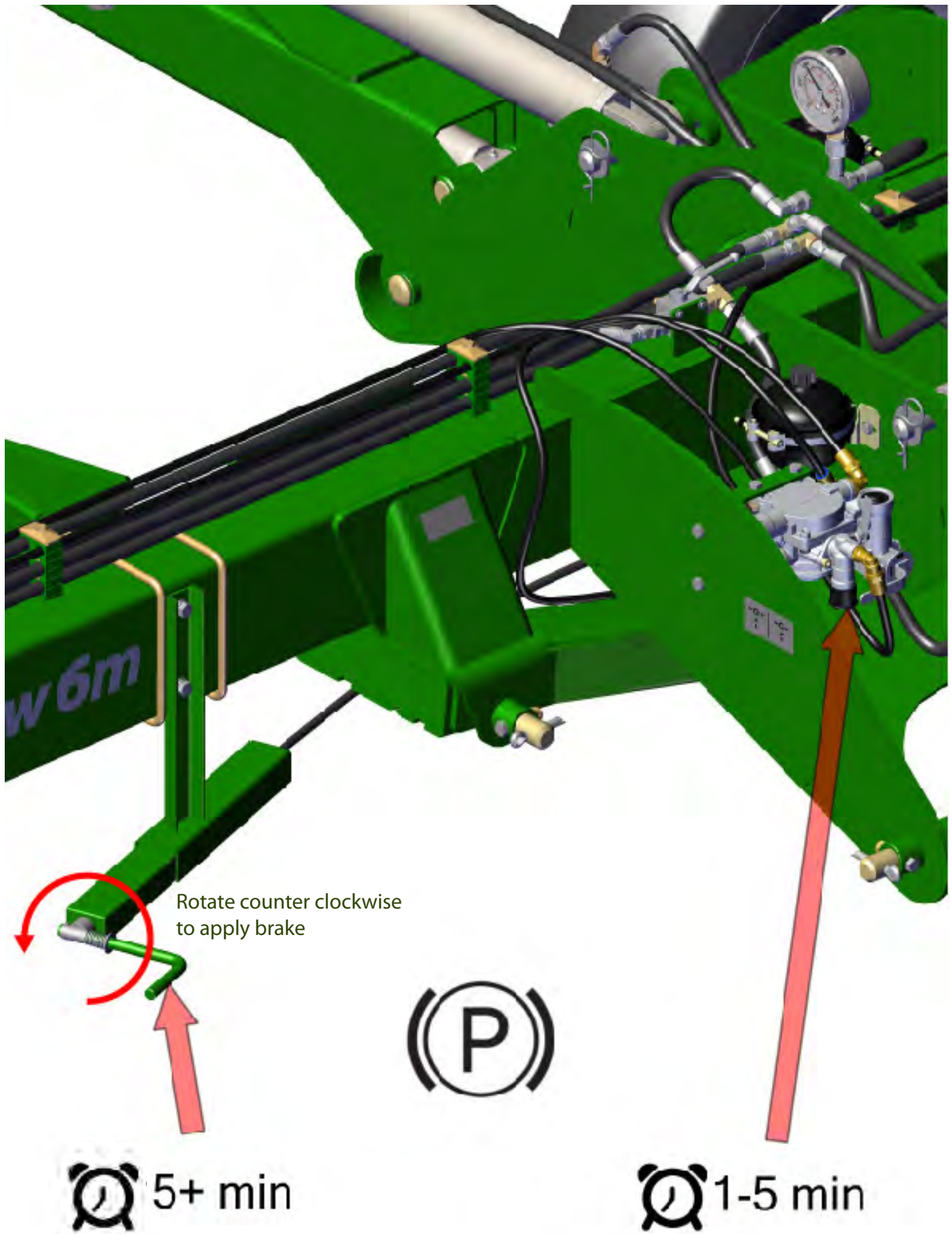
- Carefully study and understand this manual.
- Do not wear loose fitting clothing that may catch in moving parts.
- Always wear protective clothing and footwear.
- Be sure that there are no tools lying in or on the equipment.
- Do not use the machine until you are sure that the area is clear, particularly of children or animals.
- If this machine is being used in a dry area, or in the presence of combustibles, care should be taken to prevent fires and fire fighting equipment should be readily available.
- Familiarise yourself and other operators with the machine's operation before using.

Pre-Operation Checklist

1	All wheel nuts, bolts and nuts are tightened to the correct setting
2	Split pins are in place
3	Stickers and warning signs are in place
4	Hydraulic fittings are tight and have no leaks
5	Chains are adjusted so that there is still travel in the tension cylinders and chains are tight (Fig. 24)
6	Fold machine to ensure chains engage chain hangers
7	Check swivel bearings are not seized and still turning freely

Park Brake

Fig 7.



Brake Setup

Full load for chain configuration (front/ rear)
 (CL2/CL2, CL2/CL1, CL2/SD49, CL1/CL1, CL1/W36, CL1/SD49 SD49/SD49,

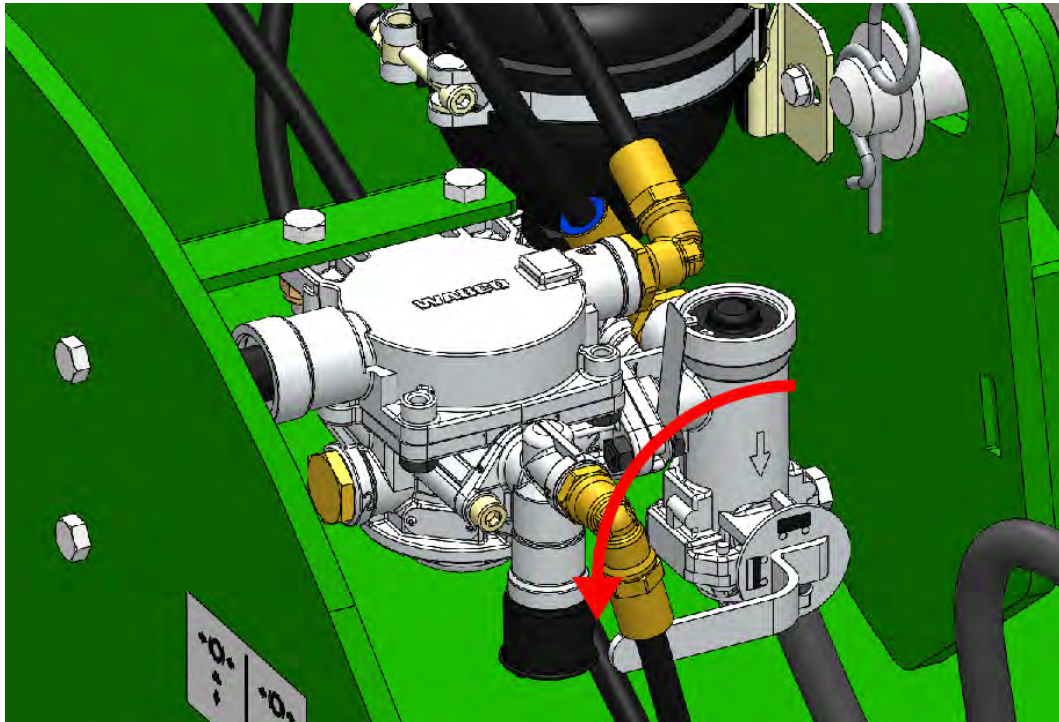


Fig 8.

Half load for chain configuration (front/ rear)
 (W36/W36, Prickle Chain/ Prickle Chain)

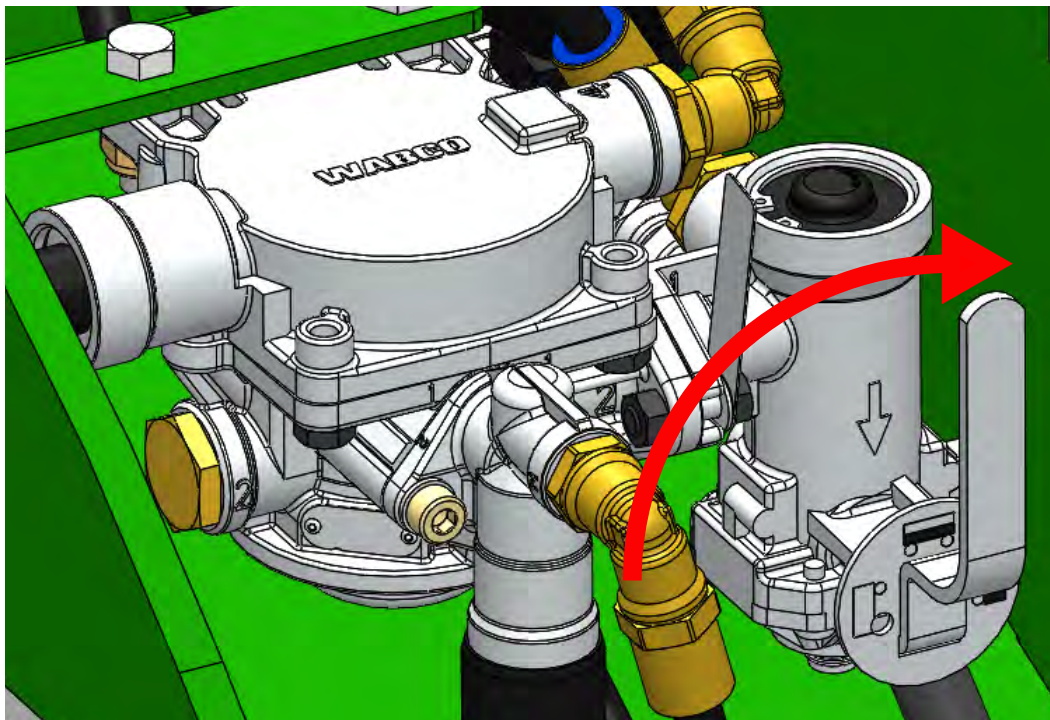
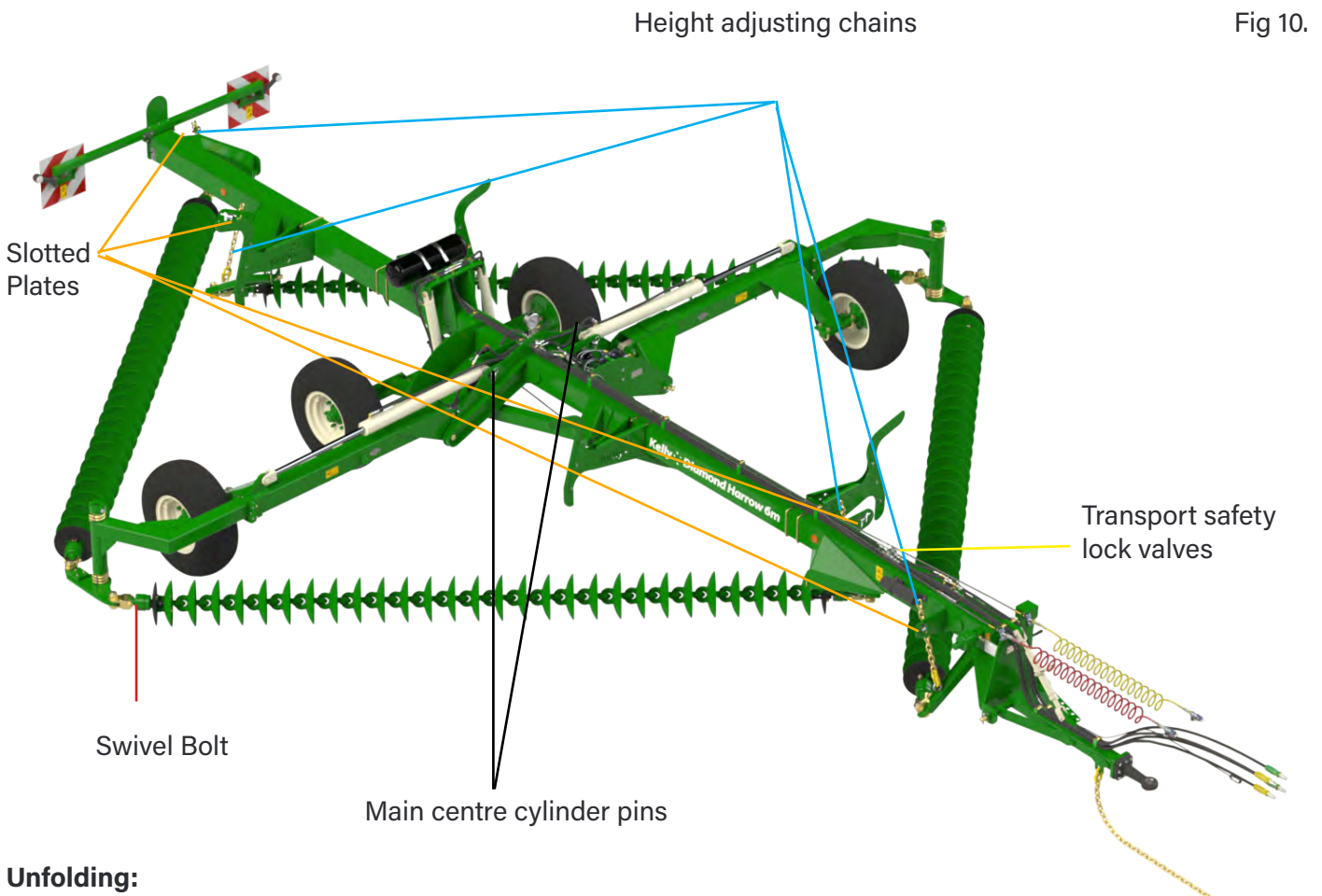


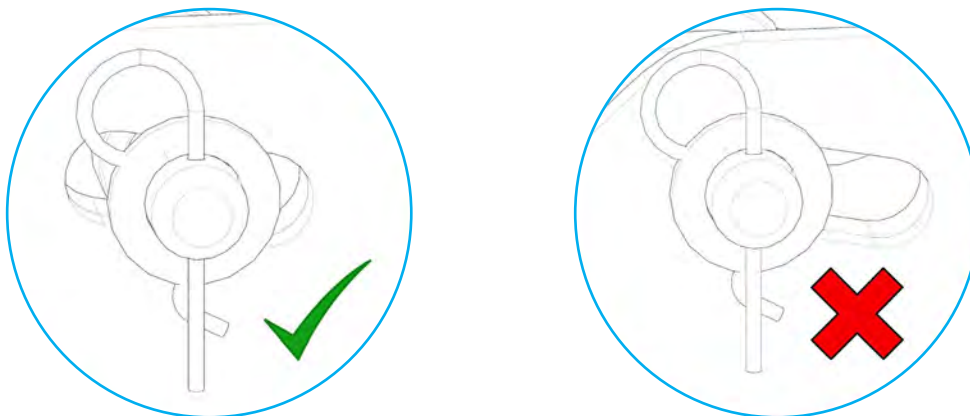
Fig 9.

Basic Operation



Unfolding:

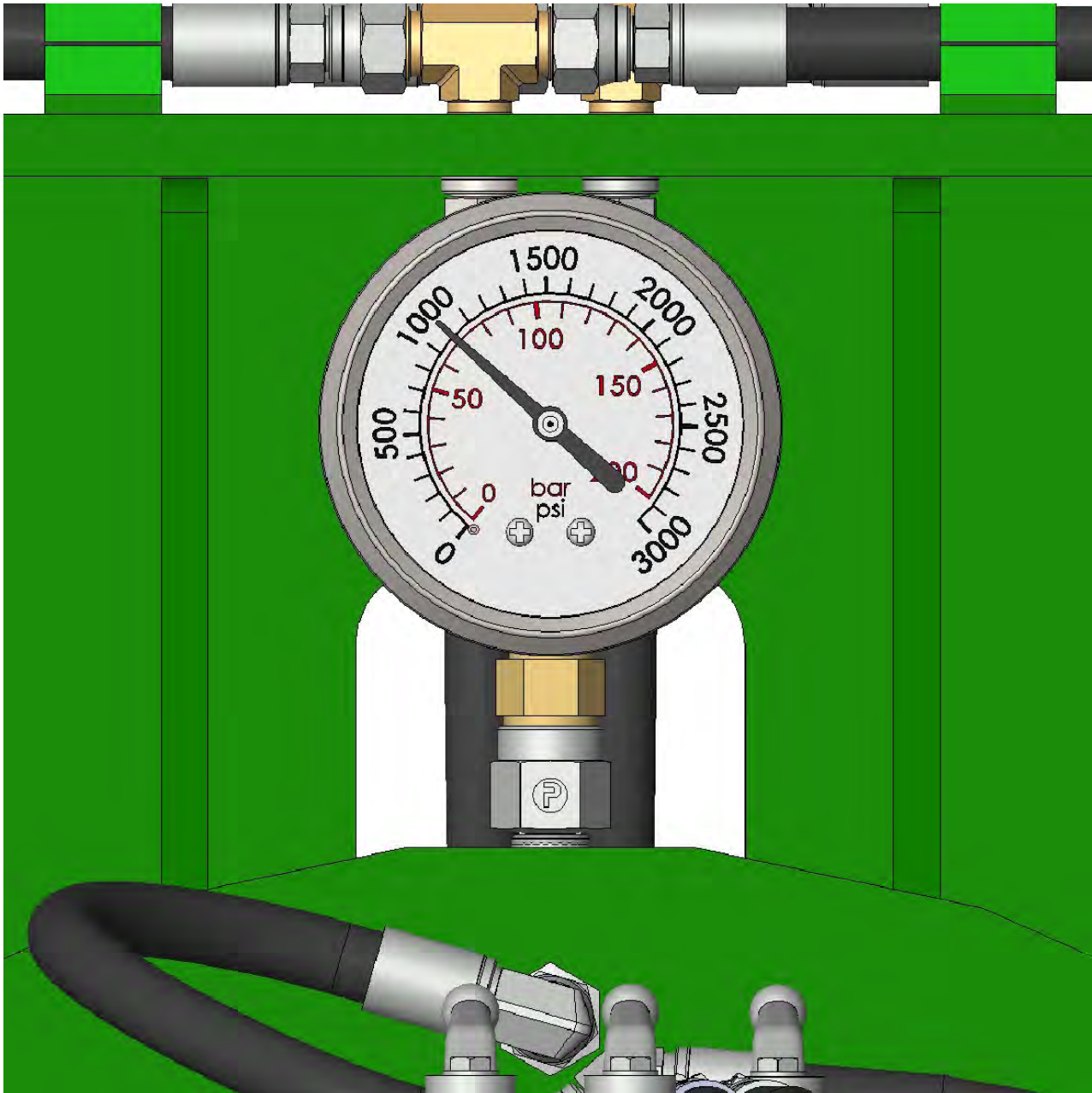
1. Walk around and inspect the machine.
 - a. Check that chains are not hooked on framework
 - b. Check swivel bolts are in place and not broken
 - c. Check that height adjusting chains have not fallen out of their slotted plates during transport.
2. Open both transport safety lock valves at the front of the machine (see Fig 13 for location of valves)
3. Lower front A frame to working height.
4. Unfold wings, holding the hydraulic lever until the main center cylinder pins have centered in their slots.



5. Make sure tap is open and keep holding the pressure on the unfold lever until the tension pressure gauge reads 69 Bar/ 1000 psi. Please note pressure control valve is pre-set to correct pressure.

Basic operation

Fig 12.



The chain is set correctly at 69 Bar/1000 psi

Basic Operation

Unfolding:

6. Turn tension isolation valve off (see Fig 14 for location of valve).
7. Walk around and check that all chain links are straight and that working height of all swivels are correct for field conditions. Adjust if necessary, see section frame height adjustment Fig 19.
8. Move off with all chains in working position. If necessary it is acceptable to raise frame to transport height. This will lift the front chains off the ground and reduce the load on the tractor. Lower the frame once operating speed is reached.

Transport safety lock valves

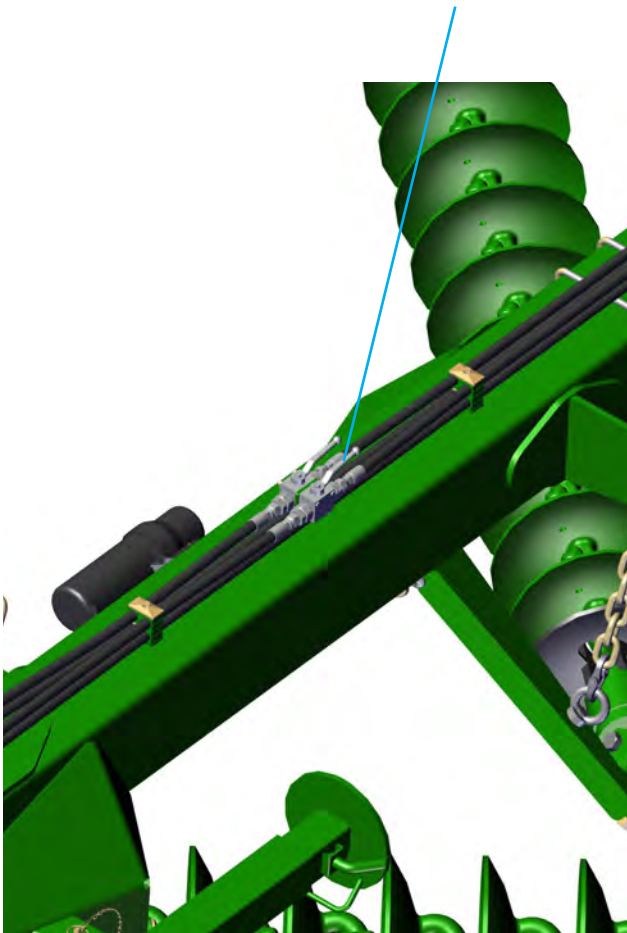


Fig 13.

Tension isolation valve

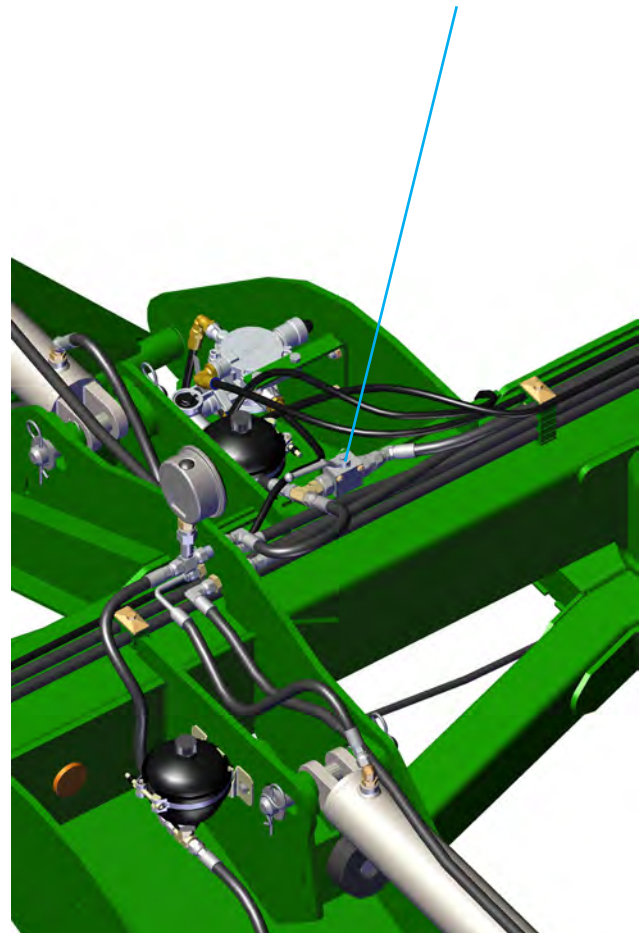


Fig 14.

Basic Operation

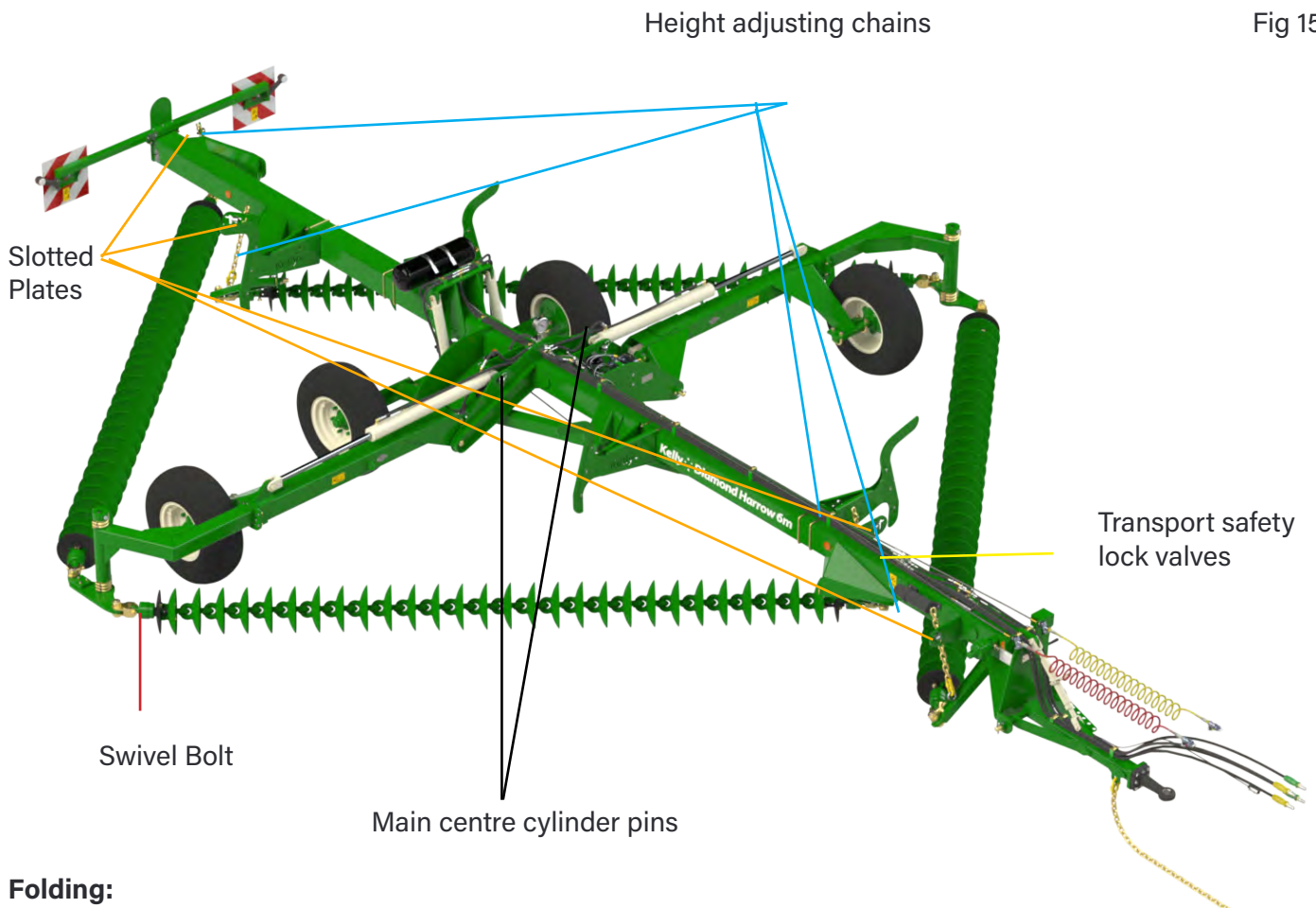


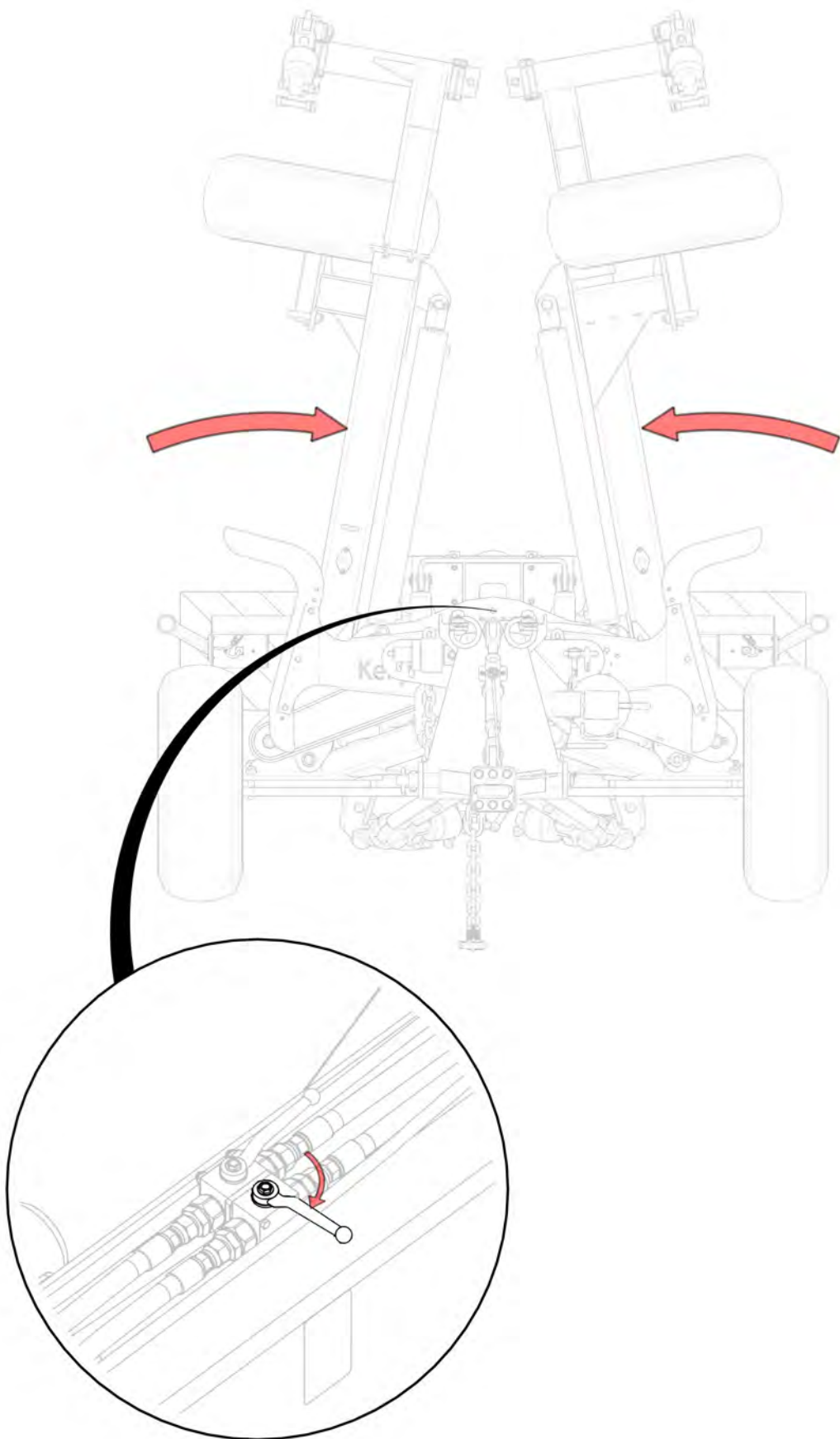
Fig 15.

Folding:

1. Walk around and inspect the machine.
 - a. Check swivel bolts are in place and not broken.
 - b. Check that height adjusting chains have not fallen out of their slotted plates during operation.
2. Open wing tension valve. (Fig. 16)
3. Open transport safety lock valves (Fig 13).
4. Fold wings, holding the hydraulic lever until both cylinders are fully retracted.
5. Raise the machine to transport height until the cylinders are fully extended.
6. Close transport safety lock valves. (Fig. 13)
7. Attach transport safety chain. (Fig. 18)

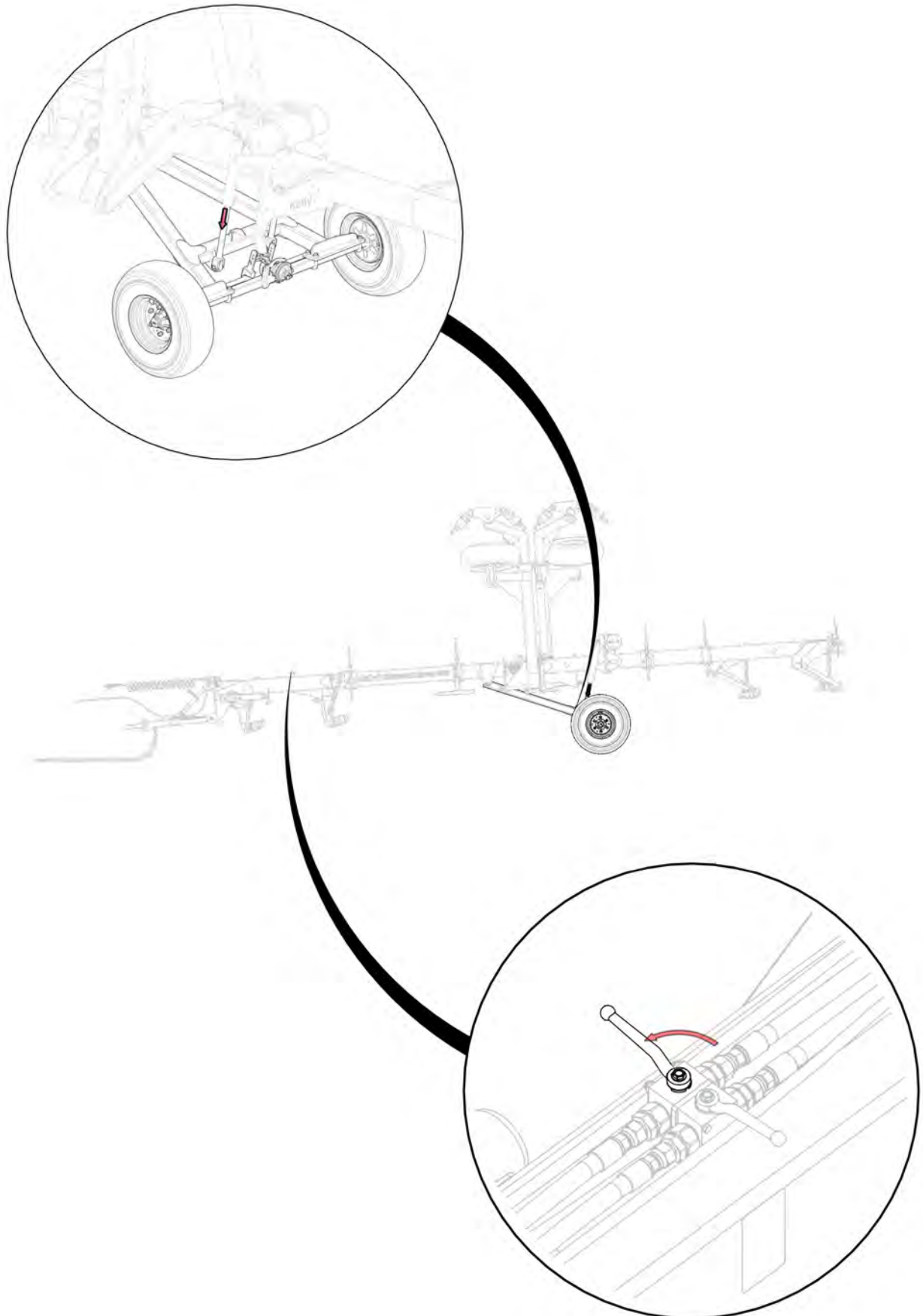
Folding

Fig 16.



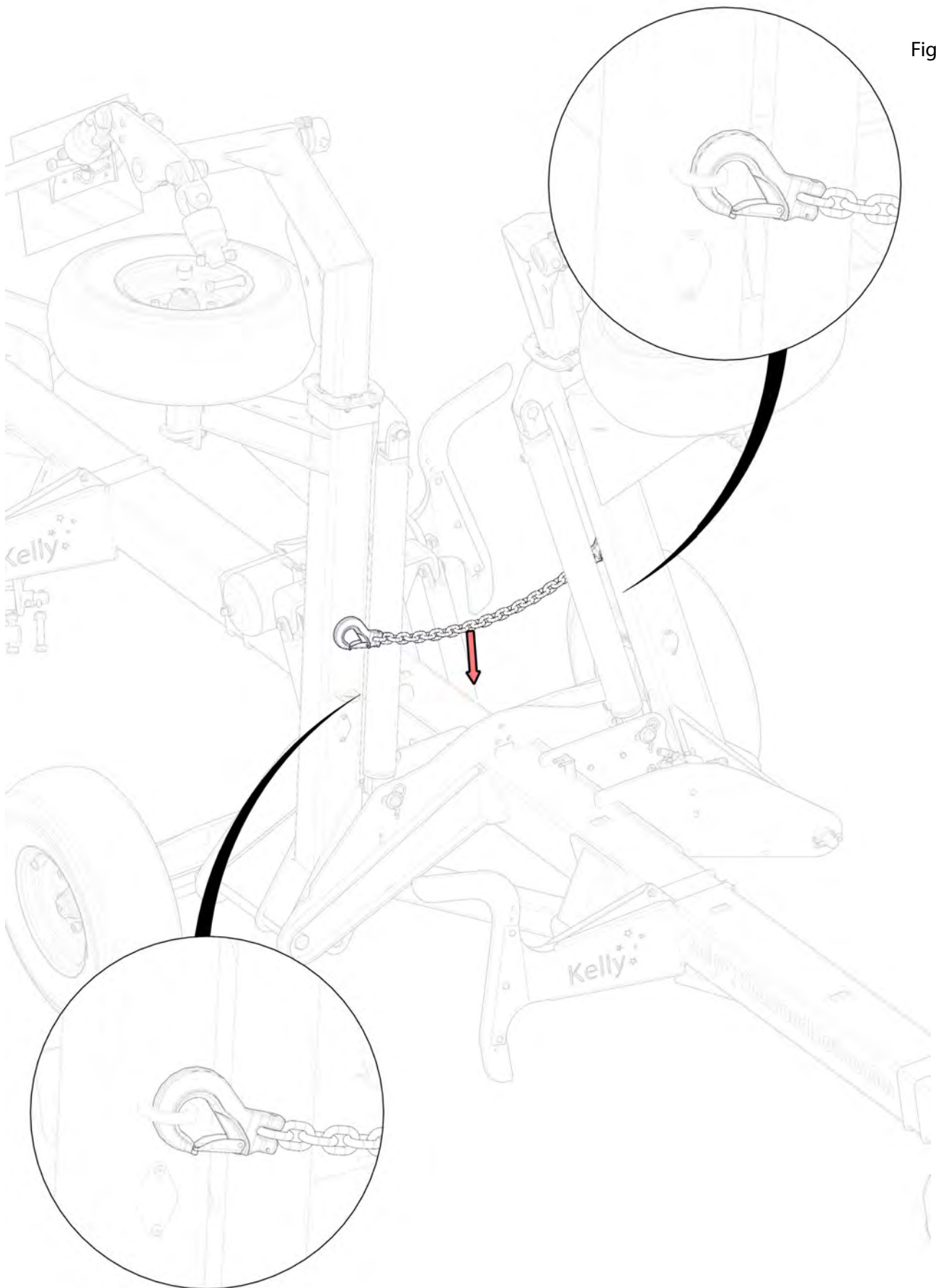
Folding

Fig 17.



Folding

Fig 18.





Section 3 - Chain Operation & Correct Setup

Importance of good chain setup

Operational

It is imperative that the correct chain tension is maintained. Only through correct tension can a smooth and level finish be achieved in field working.

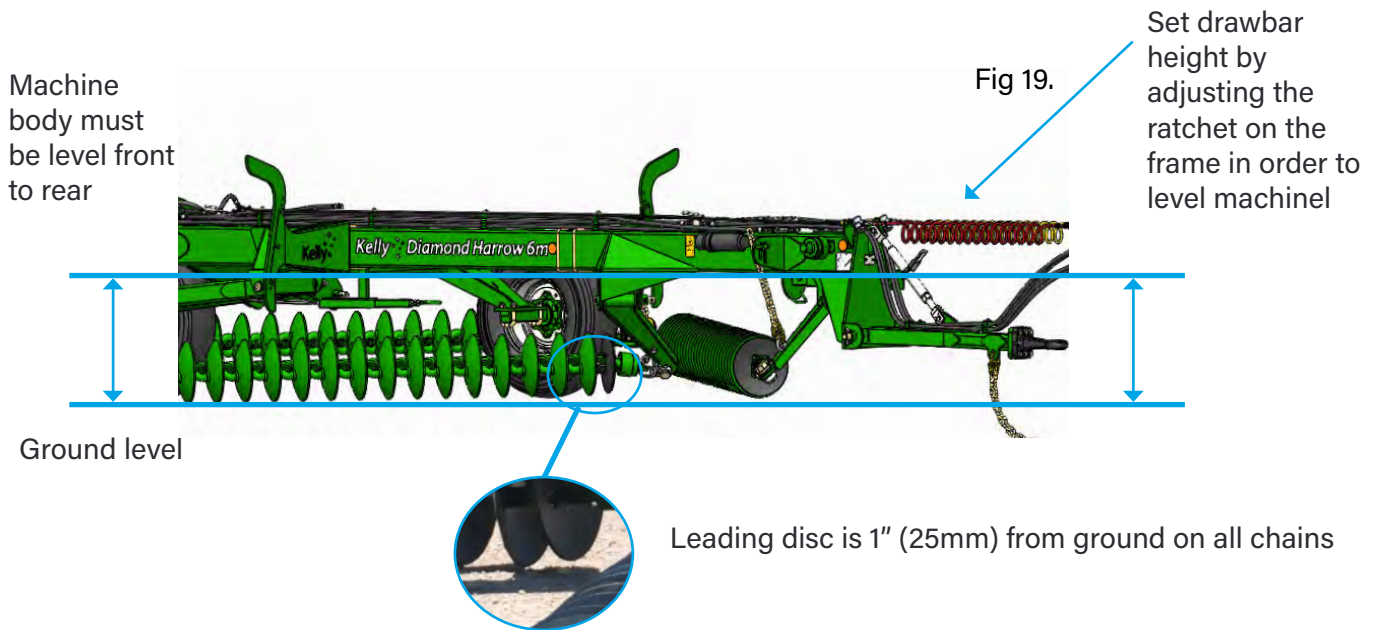
Loose chains lead to :

- Uneven performance across the width of the machine
- Uneven weed control
- Unsatisfactory incorporation
- Ineffective levelling
- Accelerated or premature chain link wear (not covered by warranty)
- Chains failing to engage with transport locator's when folded
- Machine damage when folding or unfolding
- Uneven field surface with ridges and furrows being created.

A correctly adjusted machine will not cause this phenomenon.

The framework should be horizontal when set on level ground. ie parallel to the ground. Fine adjustments should be made using the adjustor chains at each bearing mount plate.

Frame Height Adjustment



Once the frame is level tighten the lock nut (Fig 21.) on the drawbar ratchet (Fig 20.). This sets the draw bar height correctly for your tractor.

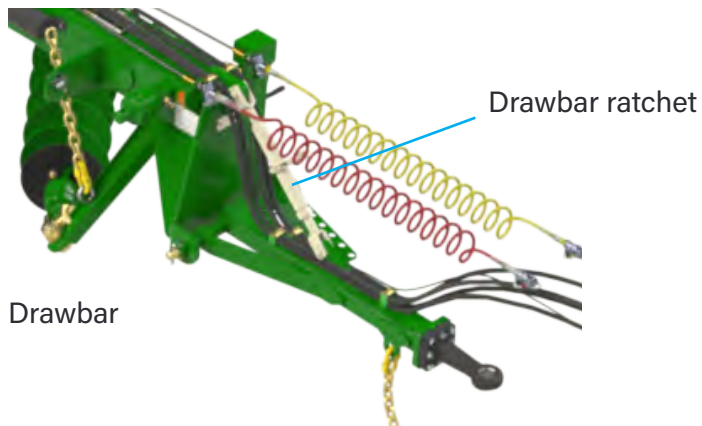


Fig 20.

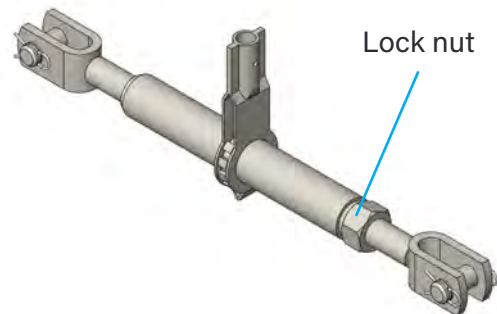
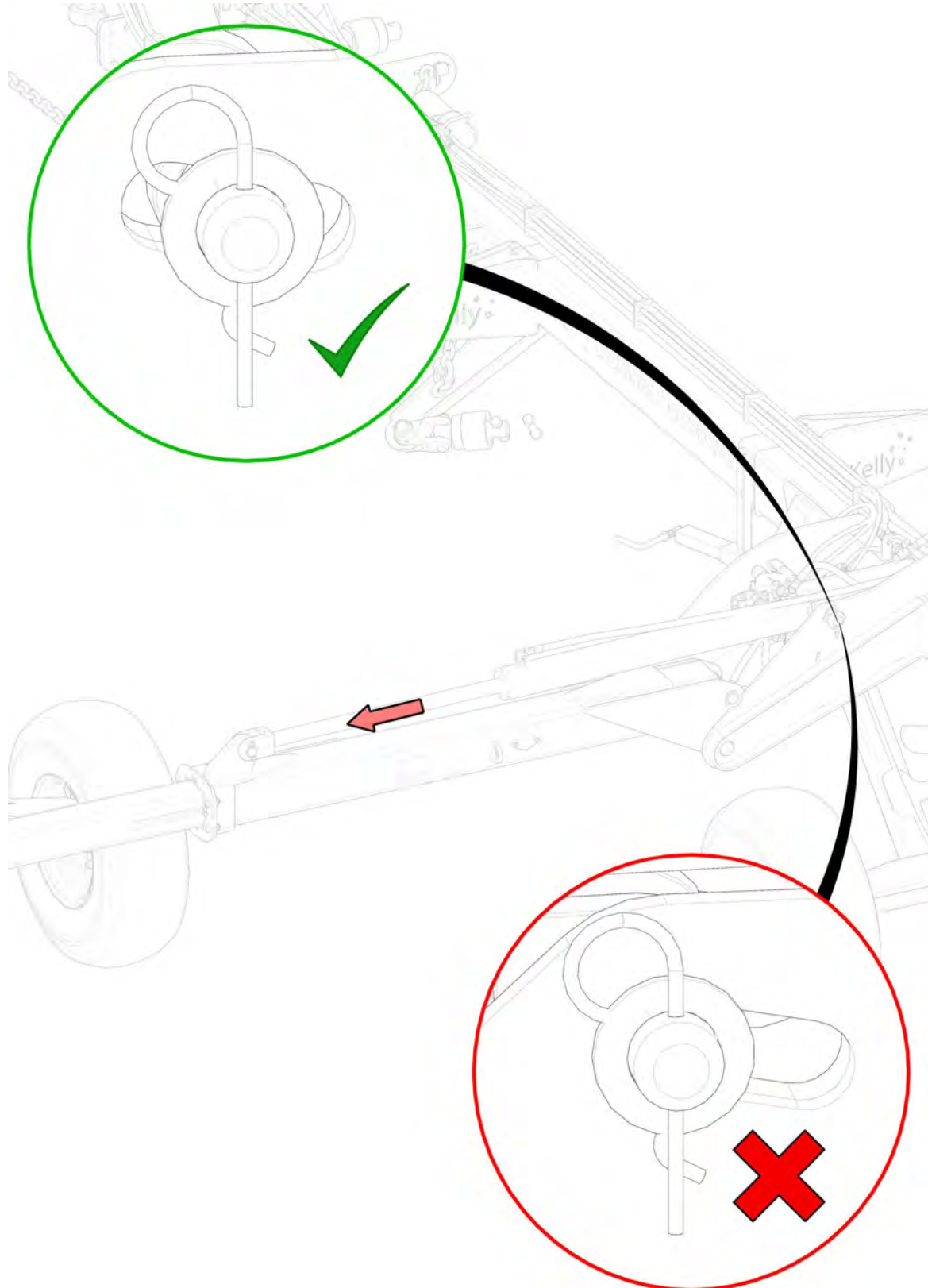


Fig 21.

Wing Set Up Prior to Operating

Make sure the pin is centred

Fig 22.



Set Chain Tension

Wing Tension Travel

It is important that the amount of wing extension be monitored throughout the life of the chain. Optimal outer wing extension should be between 600mm and 800mm. Fully retracted or extended will require chain adjustment.

Fig 23.



If the cylinder is fully retracted you may need more discs.

If the cylinder is fully extended it will be necessary to remove a disc from each front and rear chain set.

If the machine has been used for a period of time, the chain is worn down and the cylinder is fully extended you will need to remove disc/s from each front and rear chain set.

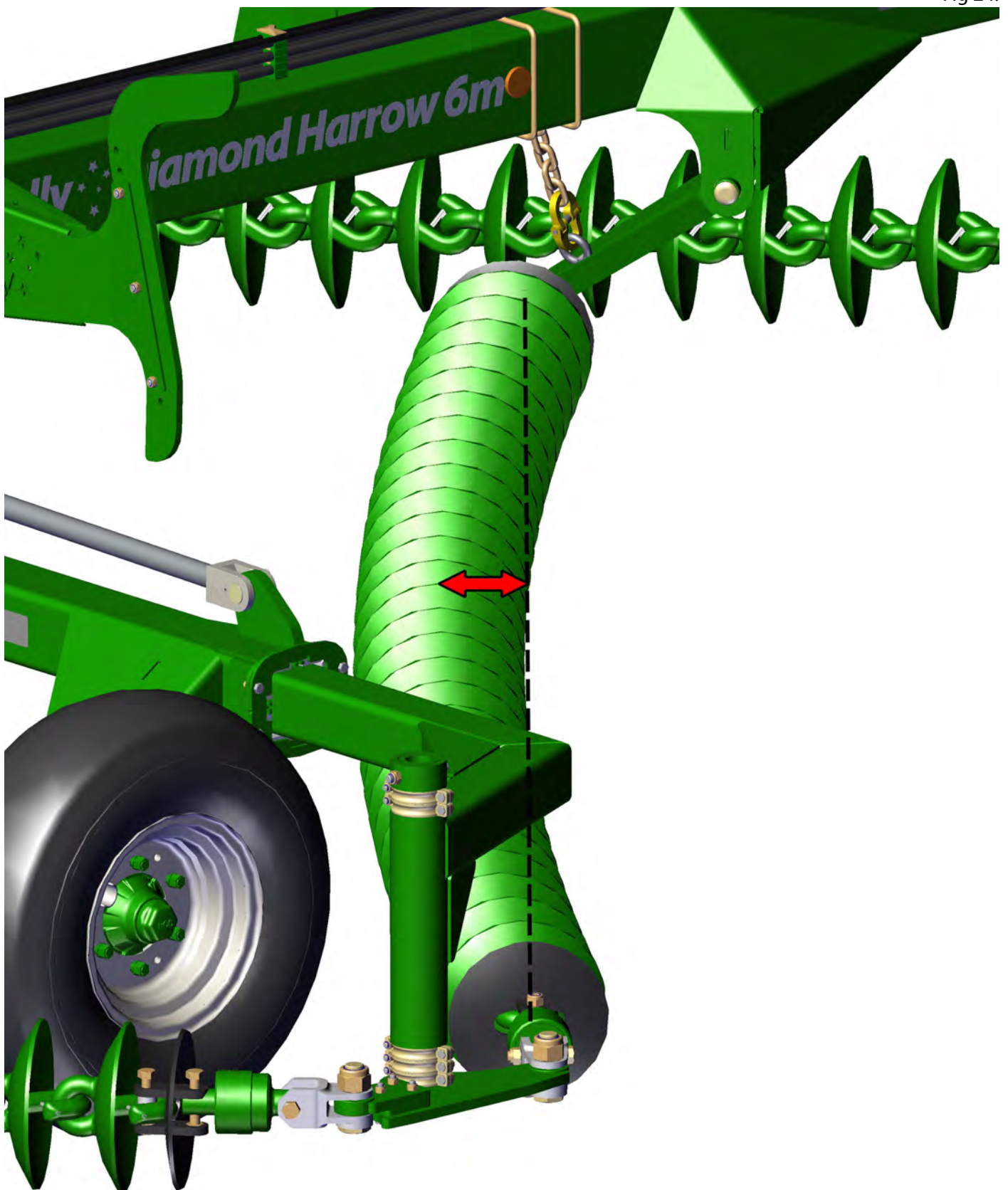
Correct chain tension will ensure that the entire length of discs will roll as one. This minimises the movement between each link. If a chain is not adjusted and runs loose, each link acts as a universal joint as the curved chain rolls along and the wear rate between each link is greatly accelerated and can lead to premature failure. The chain links should not wear out before the discs are worn down.

ONLY POOR ADJUSTMENT CAUSES THIS.

- The chain may sag not more than 150mm from centre line when working
- At rest there should be less than 100mm of sag in the chain.

Wing Set Up Prior to Operating

Fig 24.



Correct Hydraulic Chain Tensioning

The chain tension is managed by combination of telescopic cylinders, a nitrogen accumulator and a pressure control valve. Pressure is applied to the circuit by unfolding the wing. When the appropriate working pressure is reached (69 bar/1000psi), isolate the circuit by engaging the tension isolation valve.

A chain tension pressure of 69 Bar/ 1000psi is recommended for most situations. Refer to Fig 12. It may however be necessary in different situations to increase the pressure (Max 138 Bar/ 2000psi).

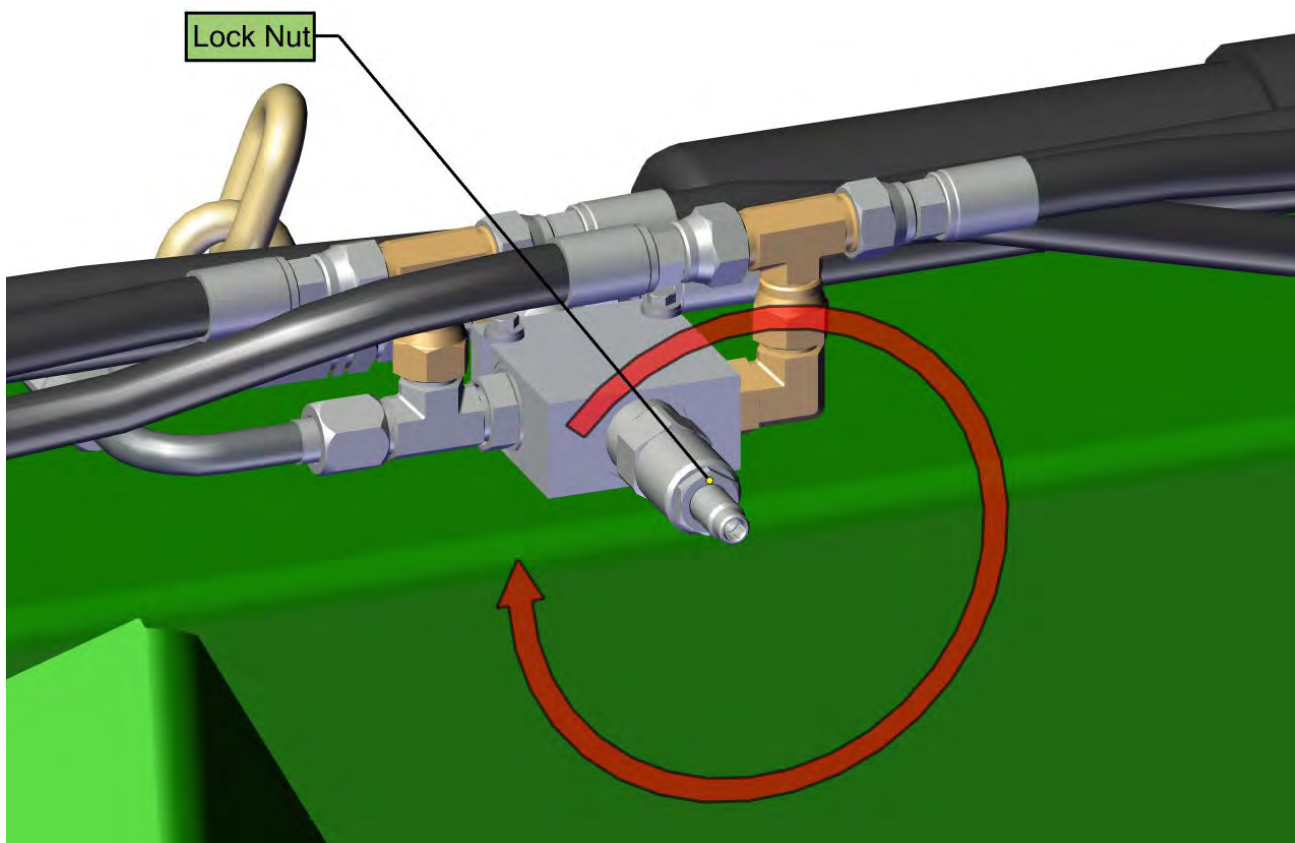
Loosen the lock nut, open the tension isolation valve (Fig 14), activate the unfold circuit while using an allen key to turn the screw in the direction (Fig 25) until the desired pressure is reached on the tension pressure gauge.

To decrease the tension pressure wind the screw all the way out, activate the fold circuit to release the tension pressure. Reactivate the unfold circuit while slowly winding the screw until the desired pressure is reached. (Fig 26.)

When finished close the tension isolating valve (Fig 14) and tighten the lock nut.

Increase tension pressure

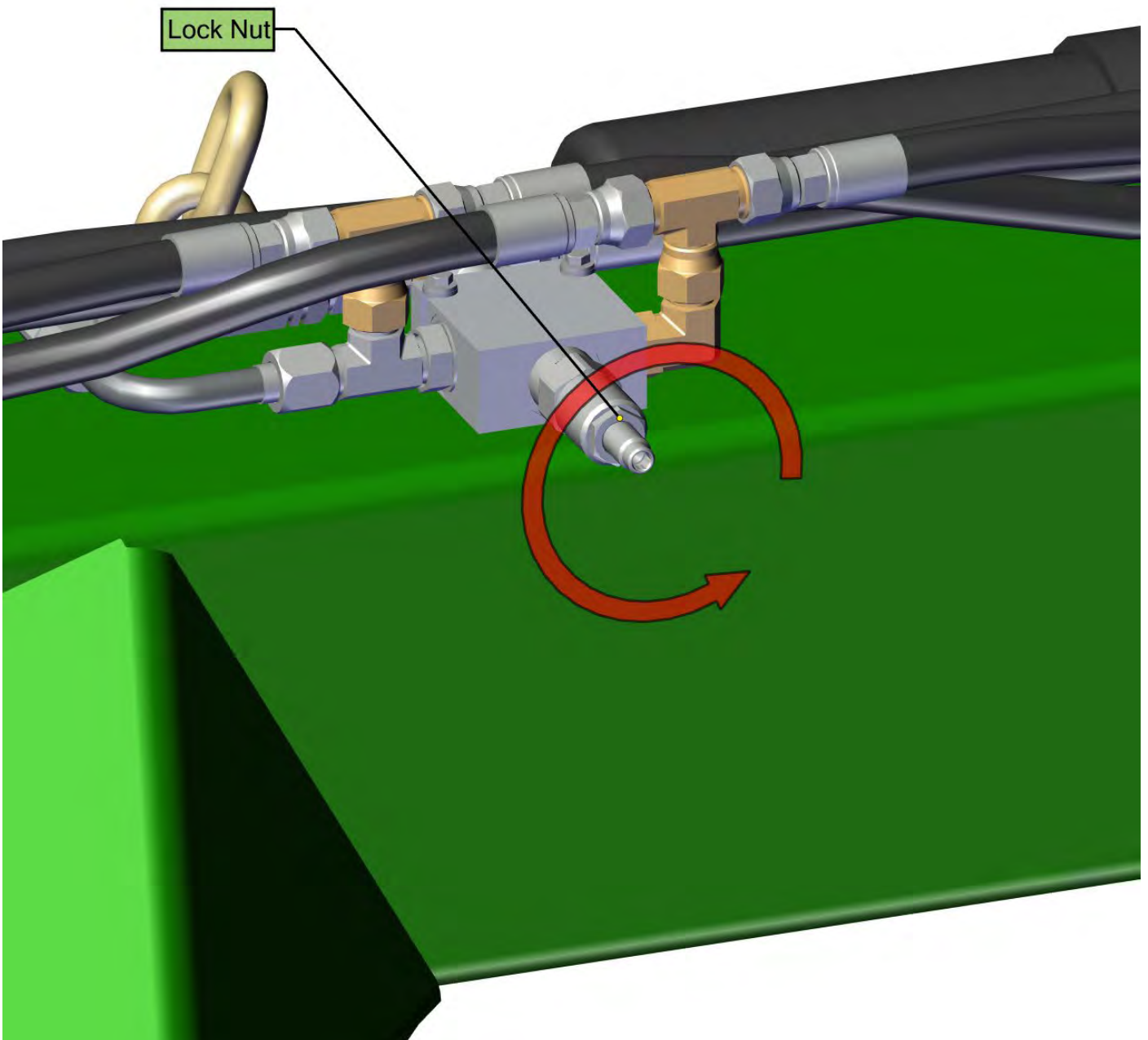
Fig 25.



Correct Hydraulic Chain Tensioning

Fig 26.

Decrease tension pressure



Chain Mount Arm Height Adjustment

- Use the tractor hydraulics to raise the frame or chain mount plate that requires adjustment.
- Position a suitable block or stand to support the arm (Fig 27.1)
- Using the tractor hydraulics, lower the machine until the height adjusting chains are loose.
- Remove spring retaining clip (Fig 27.2).
- Slide chain links through slot in lifting arm, turn links 90 degrees for fine adjustment.
- Lift Frame and install retaining clip (Fig 27.3).
- Remove stand.

Fig 27.1.



Fig 27.2.

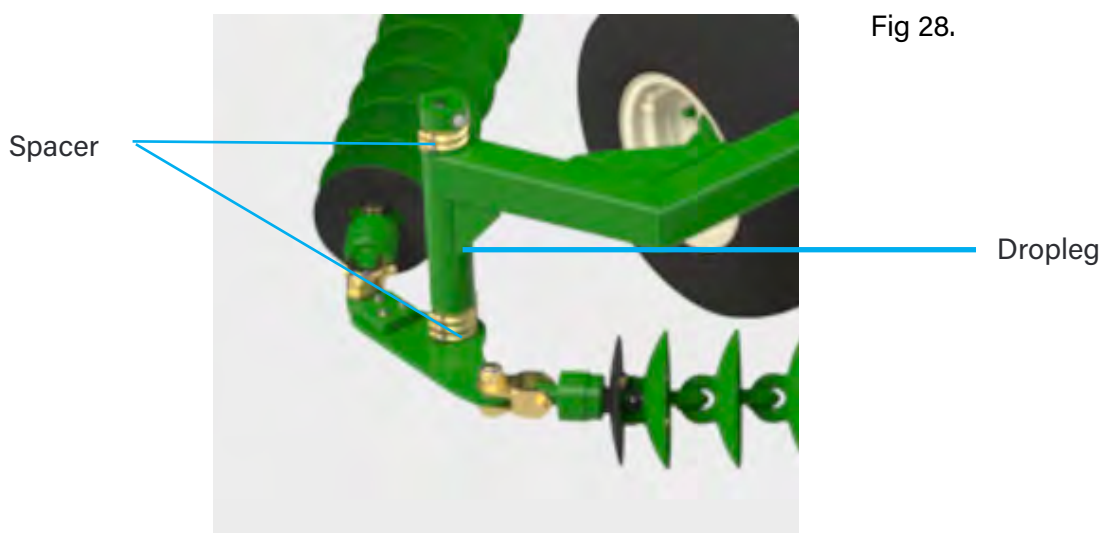


Fig 27.3.



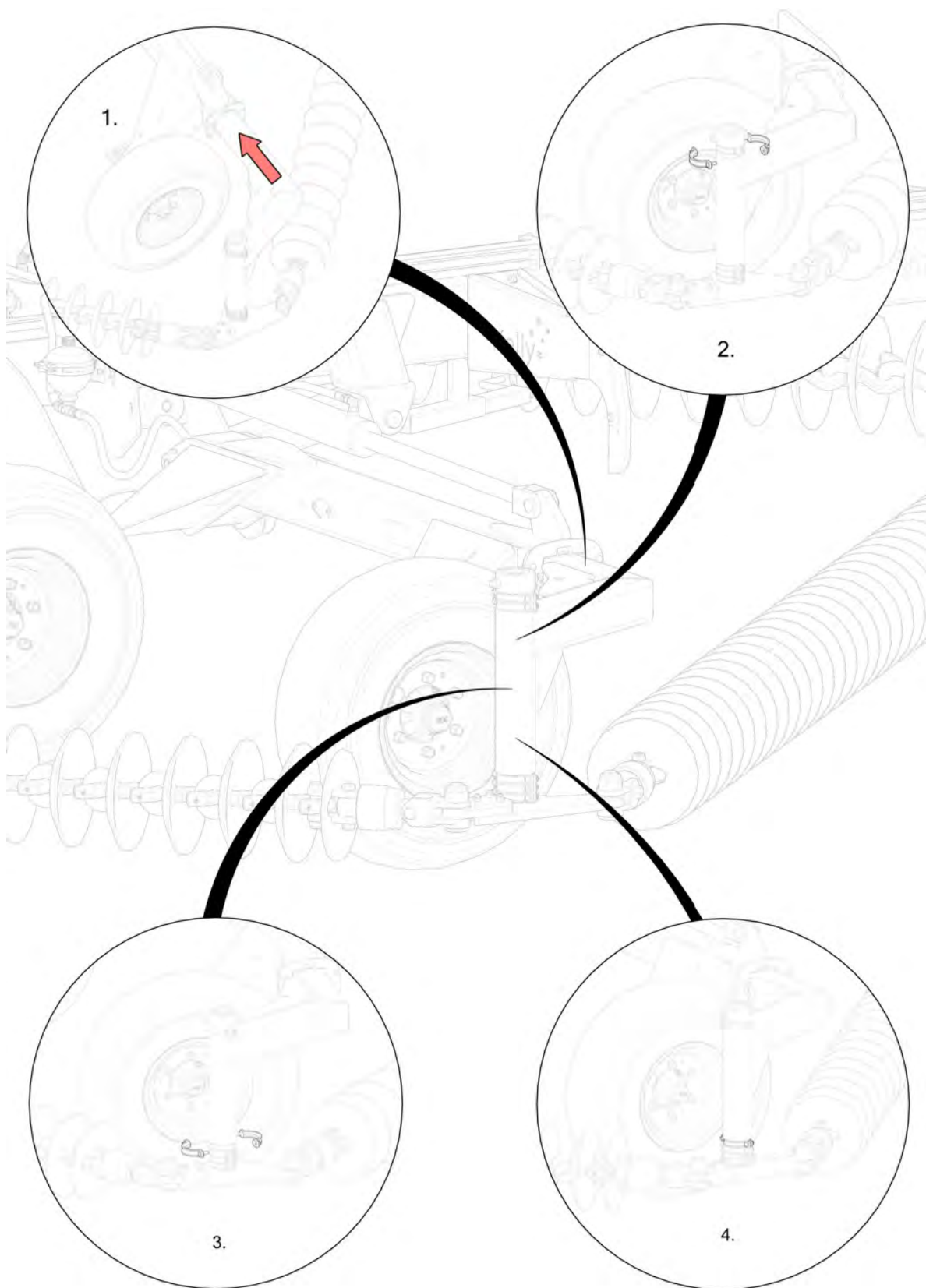
Dropleg height adjustment

- Release wing tension by opening the tension isolation valve (Fig 14)
- Move spacers to bottom of dropleg to decrease ground clearance (Fig. 28). Lift Frame and install retaining clip (Fig 27.3).



Dropleg Height Adjustment

Fig 29.



Fine Adjustment For Perfect Operating Results

You may need to continue to adjust certain areas to achieve a level finish and a perfect seedbed.

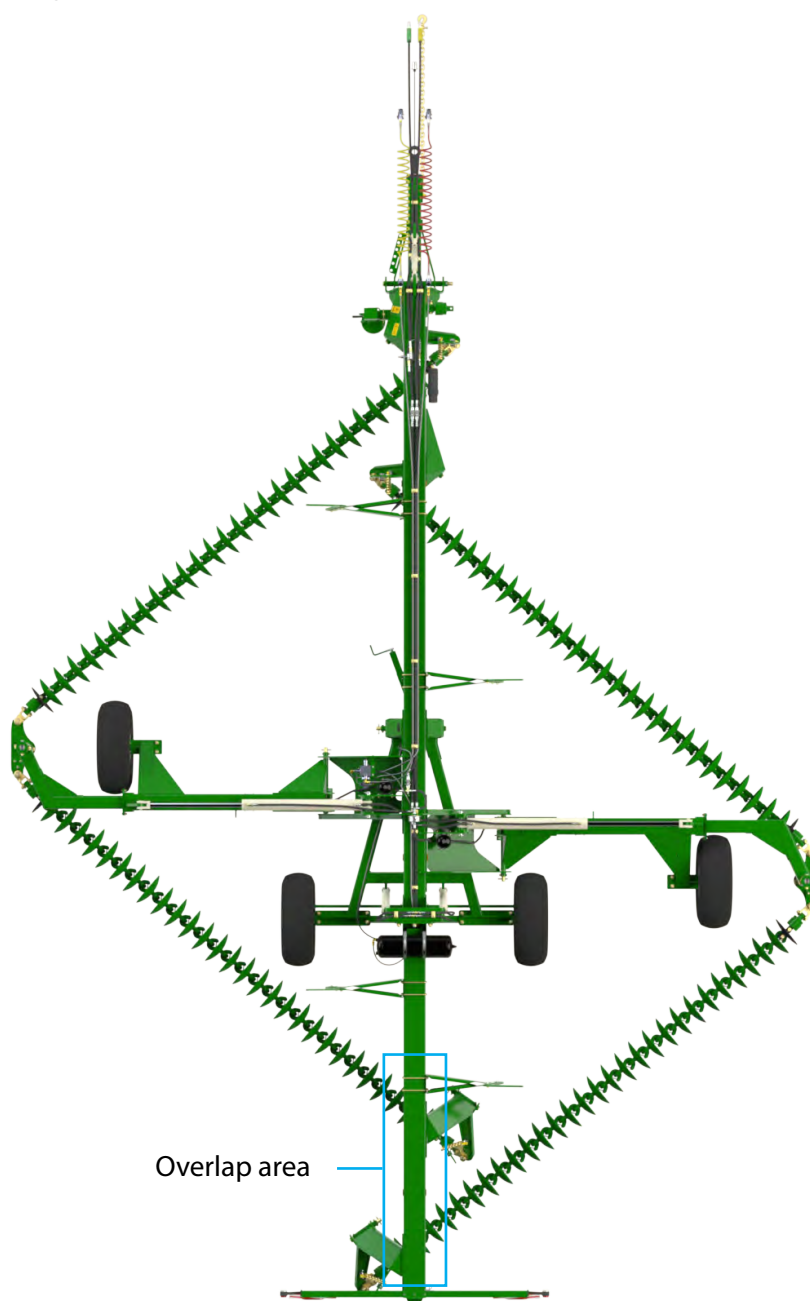
It is possible with correct adjustment to achieve a level finish in most situations by manipulating the front and rear heights of each chain.

When set too low the leading disc on each chain has the capability of pushing up a ridge of soil that the following chains may not level out. This can occur at the front of each chain, at the front of the rear chains (widest point) and at the front of the machine (either side of center).

When the trailing disc is set too low, it may leave a furrow that may not be filled by other chains. Look for this at the rear of each chain, on the wings at the rear of the front chains and at the very rear of the machine near the center line.

There is enough overlap built into the machine to ensure that it is possible to raise the front of all of the chains just clear of the ground and still achieve a full cut.

Fig 30.



Dropleg Height Adjustment

The optimum setting may vary depending on soil cover. In heavy stubble and unworked ground it is possible to set the swivels low to the ground. In light stubble or loose soil it is best to raise the leading discs so that the chains 'feather in' to the soil.

It is important to note that lowering the swivels will not cause the discs to dig deeper or more aggressively. It will result in premature wear of swivel hardware and the first two chain links. It will also cause ridges and furrows.

Digging effectiveness is a result of soil conditions and disc chain construction. The weight, shape, angle and spacing of the discs are the factors which influence efficacy. On hard dry soils it is unrealistic to expect the discs to dig fully or evenly. However, they will still perform well for residue breakdown and seed stimulation.



Section 4 - Maintenance & Inspection

Maintenance and inspection

Good maintenance is your responsibility

- Before working on your machine, ensure all moving parts have stopped
- Always use a safety support and block the wheels
- Use extreme caution when making adjustments
- Replace shields and guards after servicing and before moving
- After servicing, make sure all tools, parts and service equipment are removed
- Where replacement parts are necessary for periodic maintenance and servicing, genuine factory parts must be used. Kelly Engineering will not guarantee the use of unapproved parts and other damages as a result of their use and will not be liable for injury or warranty if equipment has been altered in any way
- An appropriate fire extinguisher and first aid kit should be kept readily available while performing maintenance.

Intervals

1. After 0.5 hours

- Re-tighten wheel nuts.

2. After FIRST use

- Visual check after first usage. Check for loose or missing hardware, oil leaks

3. Daily

- Check chain tension pressure
- Visual check for loose or missing hardware, especially chain/bearing bolts and pin retaining hardware
- Check for oil leaks or damaged hydraulic hoses.
- Immediately after stopping the machine, walk around and check the swivel units. A significant increase in temperature indicates a failing bearing. Replace with the spare swivel unit supplied and rebuild or replace the failed unit. Approximate operating temperature is 55 deg C. Failure is indicated at approx. 80 deg C. A laser thermometer is ideal for measuring this.

4. After 25 hours of use

- Grease wheel arm frame
- Grease left wing hinge pin
- Grease right wing hinge pin

5. End of season ready for storage

- We recommend covering swivel bearings to prevent water getting in and causing water damage during storage.

6. Preseason. After storage

- Check chain tension
- Visual check for loose or missing hardware, especially chain/bearing bolts
- Check for oil leaks or damaged hydraulic hoses
- Check tyre inflation pressures
- Grease all points
- Check chain swivels for free and smooth rotation.
- Check wheel nuts
- Check pivot pins, bushes and cylinder pins for wear and replace as required
- Check and repack wheel bearings and hubs with grease.

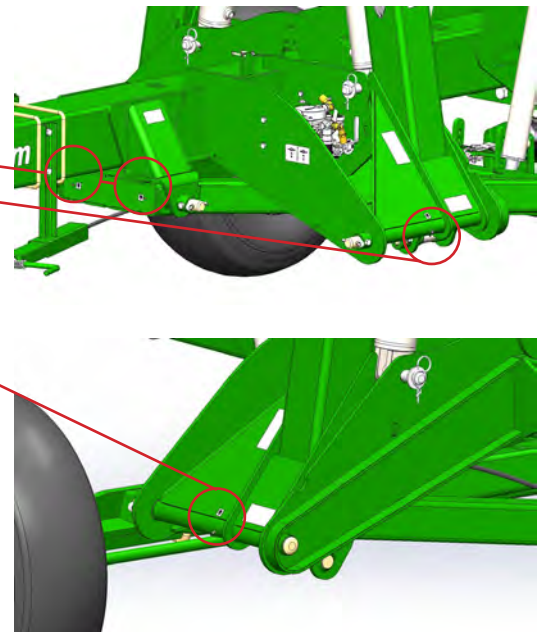


Fig 31.

Trouble shooting

The majority of the Kelly Tillage System operating problems are due to incorrect adjustment. This trouble shooting section may help you by providing solutions to common problems.

Symptom	Problem	Solution
Wings bouncing	Wing tyre pressure too low	Refer to page 38 for tyre pressure specifications
	Operating speed is too fast for field conditions	Refer to page 38 for operating speed
Chain Links wearing	Chain too loose. Chain loops back when working.	Refer to page 25, if the wing extension is correct then refer to tension pressure adjustment on page 27 and 28
	Swivel set too close to ground.	Refer to page 23 or 29
Chain not rotating	Bearing failure in swivel unit	Refer to daily checks on page 34
	Front chain swivels on machine too low	Refer to page 23 or 29
	Foreign material fouling bearings	
Uneven tread wear on transport wheels	Tyre pressure too low	Inflate to correct pressure refer to table on page 38
	Excessive road speed	Always travel at a safe speed. NEVER EXCEED 25kph.
Chains not locating properly on chain catcher	Chain catcher not correctly precision	Adjust chain catcher precision until chain locates correctly
Operation leaves central ridge behind machine	Front chain swivels are too low	Refer to chain mount arm height adjustment on page 29
Operation leaves central furrow behind machine	Rear chain swivels are too low	Refer to chain mount arm height adjustment on page 29
Ridging on outside edge of machine	Leading end of corresponding rear chain is too low	Refer to drop leg height adjustment on page 29 and 30
Furrow on outside edge	Rear of front chain set too low	Refer to drop leg height adjustment on page 29 and 30
Chain not tensioning properly	Tension cylinder at maximum stroke	Refer to page 25



Never attempt to fold for transport if the chain is clogged with weeds or mud as the extra weight may damage hydraulics or frame



Section 5 - Specifications

Operating speeds

Operating speeds for normal conditions	
Chain type	Speed
Prickle Chain	10-16 km
Disc Chain	10-12 km
Transport / towing on roads	< 25 km

Tyre pressure

Tyre size	Ply	KPA	Bar
11.5/80/15.3	14	250	2.5

Disc chain lengths and quantities

Model		Length	W36	CL1	R300	SD49	K4	CL2	CL1's per CL2 chain	Prickle Chain
2006	Front right	4.5m	27	27	36	36	28	19	2	50
	Front left	4.5m	28	27	36	36	29	19	2	51
	Rear right	4.5m	28	27	37	37	29	19	2	51
	Rear left	4.6m	28	28	37	37	29	20	2	51

Bolt Torque Settings

Bolt Type	Wheel nut	U Bolt		Class 8.8 Bolt				Class 10.9 Bolt	
Bolt Size	M18	M12	M20	M10	M12	M16	M24	M16	M20
Spanner	27	18	30	16	18	24	36	24	30
Ft lb	255	36	191	32	48	140	270	214	300
Nm	345	50	260	44	65	190	370	290	406

[1] When fitting a wheel & tyre to a hub, tighten the wheel nuts in a star pattern to the correct tension. To achieve this choose a wheel nut & tighten, then proceed to the opposite side of the hub to the next wheel nut & tighten & so on until all wheel nuts are tight. Then repeat the procedure to check that all nuts are tight. Do not use impact tools to tighten wheel nuts. For a guide to the correct tension of the wheel nuts please use the appropriate tension for your size wheel nuts from the Bolt Torque Settings table.

Torque values are for dry threads and surfaces however, it is permissible to apply a small amount of anti corrosive oil to the threads.

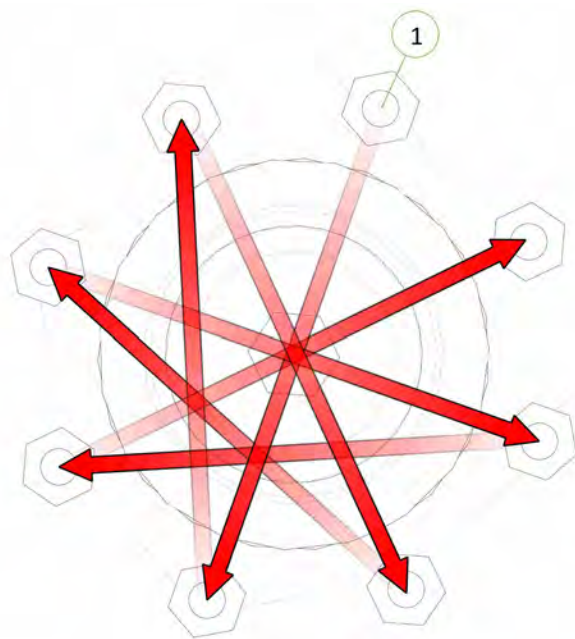


Fig 33.



Section 6 - Pre-Delivery Checklist

Check Item:	Checked by Initial
Tyres are fitted correctly	
Check wheel nuts are tightened to the correct torque and marked	
Check tyres are inflated to correct pressure	
Tow hitch is fitted correctly with bolts tightened to correct torque and marked	
All bolts and nuts are tightened to the correct torque values and marked	
All retaining pins are inserted and engaged	
All hoses are correctly routed through holders	
Air brake hoses are sound with no leaks	
Air brake relay valve is correctly set for the load	
Hydraulic rams and hoses are sound	
Hydraulic accumulator is charged correctly.(6M only)	
Droplegs are correctly orientated. (6M only)	
Swivel units are correctly orientated	
Chains are resting correctly on their transport supports (chain carriers)	
Check the chain tension as per assembly manual	
All points are greased on the machine	
Roll pins are installed in the discs (CL1 and CL2)	
All safety decals are on the machine in the correct locations as per the Assembly/ Operators manual	
All safety signs are present & lights working	
Machine is registered for warranty	
Customer has been shown the website and how to access parts information	
Operators manual has been provided with the machine	



Phone +61 8 8667 2253
Email sales@kellytillage.com
kellytillage.com

Booleroo (Head Office)
684 Kelly Road,
Booleroo Centre SA 5482

Adelaide Office
28 Greenhill Road,
Wayville SA 5034

